

**Ersatzteilliste
Spare Parts List
Liste des pièces de rechange**

BR 530 BAT

- 1.127-331.0 BR 530 PACKAGE**
- 1.127-332.0 BR 530 F BAT PACK**
- 1.127-361.0 BR 530 BAT O.SAUGB.**
- 1.127-431.0 BR 530 XL PACKAGE**
- 1.127-432.0 BR 530 XL F BAT PAC**
- 1.127-461.0 BR 530 XL BAT**
- 1.127-681.0 BR 530 BAT-TORN*USA**
- 1.127-881.0 BR 530XLBAT TOR*USA**

Kopfzeile: grün

BR 530 BAT

1.127-331.0	BR 530 PACKAGE
1.127-332.0	BR 530 F BAT PACK
1.127-361.0	BR 530 BAT O.SAUGB.
1.127-431.0	BR 530 XL PACKAGE
1.127-432.0	BR 530 XL F BAT PAC
1.127-461.0	BR 530 XL BAT
1.127-681.0	BR 530 BAT-TORN*USA
1.127-881.0	BR 530XLBAT TOR*USA

A2002967
02 2002
5.958-772.0

GRUPPE: 1.0 HAUBE UND MOTOR
GROUP: 1.0 COVER
GRUPPE: 1.0 CAPOT

A1

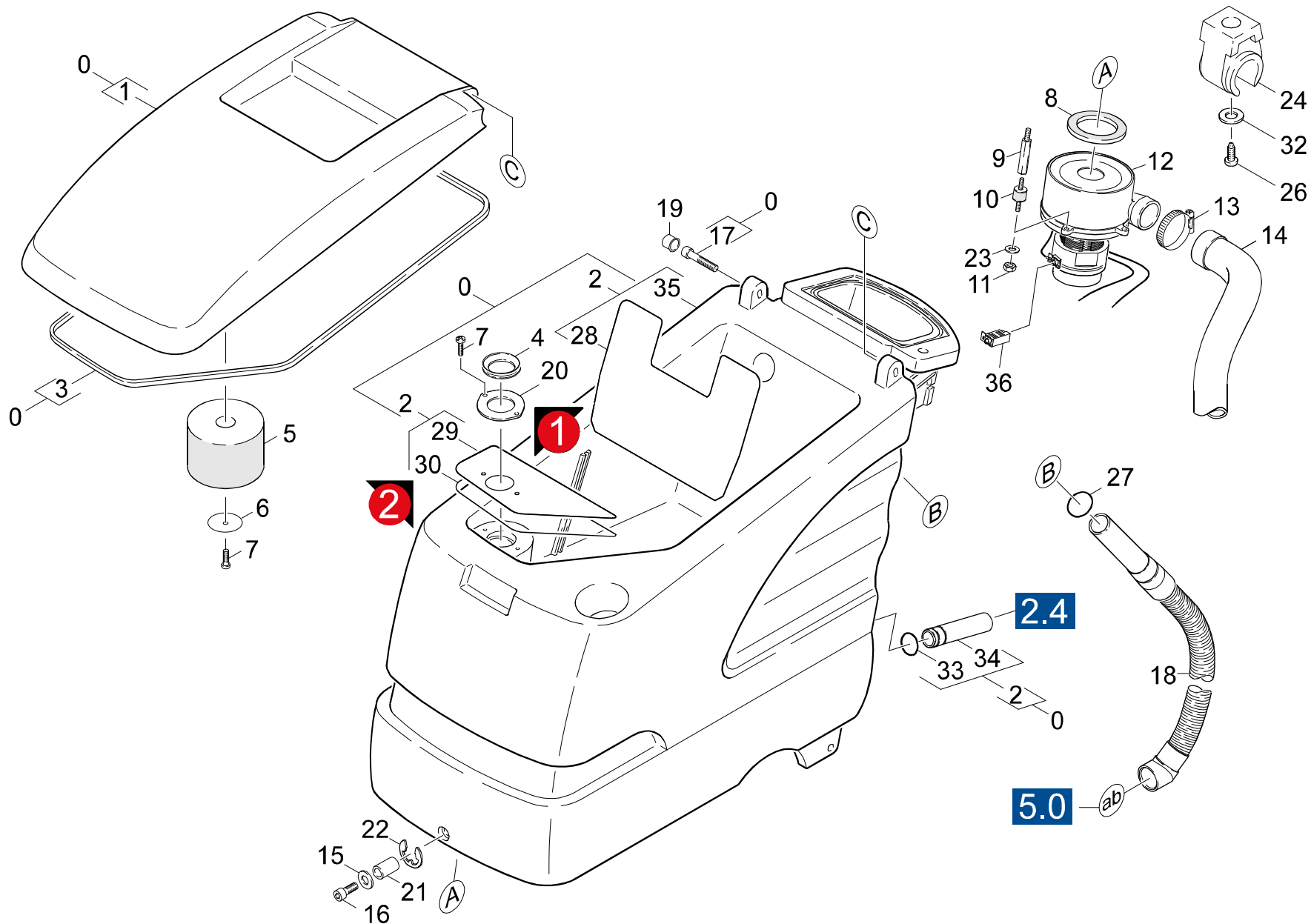
BR 530 B

GRUPPE: 1.0 HAUBE UND MOTOR
GROUP: 1.0 COVER
GRUPPE: 1.0 CAPOT

GRUPPE: 1.0 HAUBE UND MOTOR
GROUP: 1.0 COVER
GRUPPE: 1.0 CAPOT

B1

BR 530 BAT



Symbolbeschreibung siehe M16 / symbol description see M16 / désignation de système voir M16 /

GRUPPE: 1.0 HAUBE UND MOTOR
 GROUP: 1.0 COVER
 GROUPE: 1.0 CAPOT

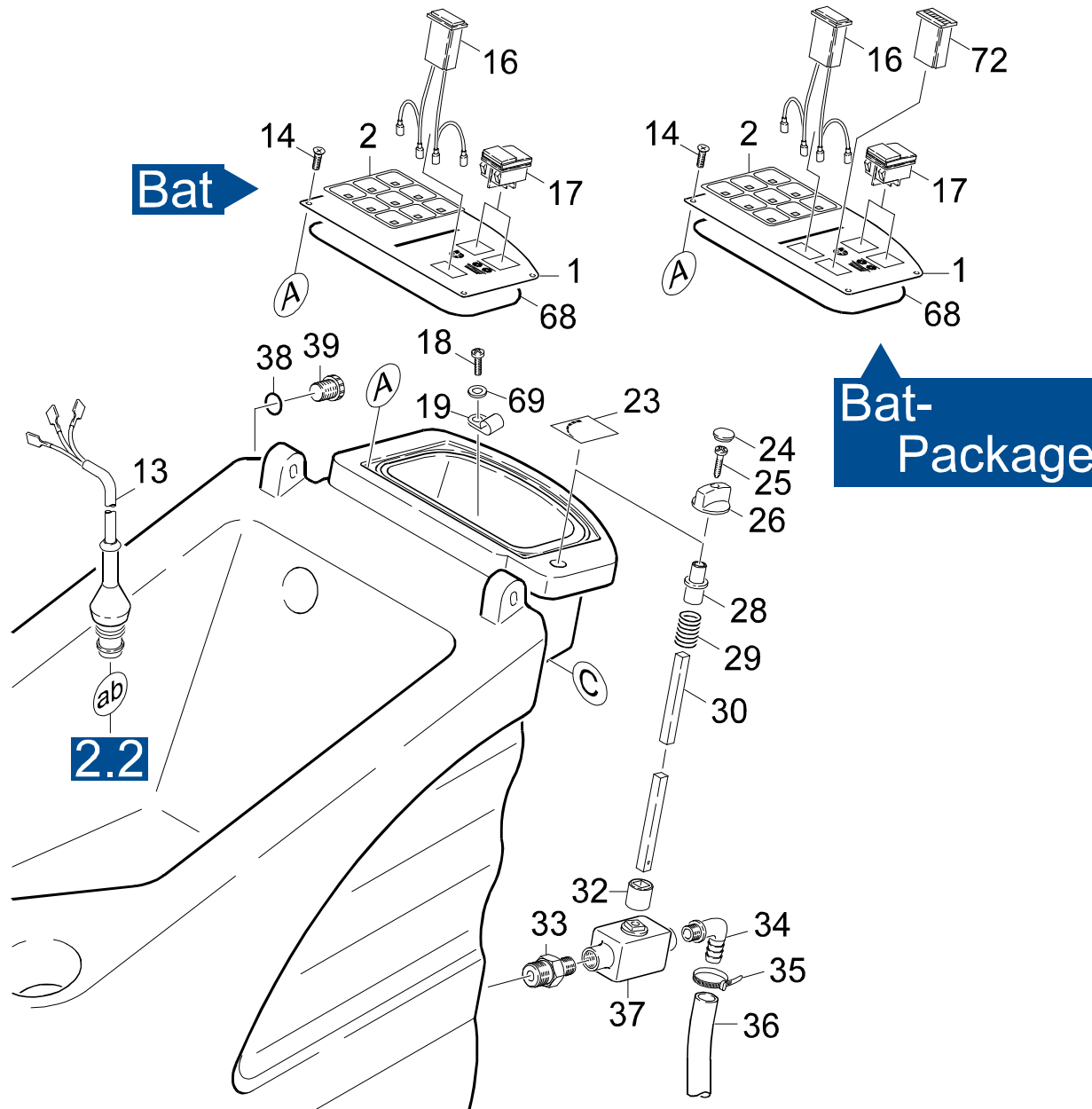
C1

BR 530 BAT

POS. ITM. POS.	BENNENNUNG DESCRIPTION DESIGNATION	TEILE-NR. PART-NO. NO.PIECE	STCK QTY. NBR.	POS. ITM. POS.	BENNENNUNG DESCRIPTION DESIGNATION	TEILE-NR. PART-NO. NO.PIECE	STCK QTY. NBR.
0	GEHAEUSE U.DECKEL / HOUSING / BOITIER	4.605-067.0	1	26	SCHRAUBE M 6X 16 / SCREW / VIS	7.306-031.0	1
1	DECKEL / COVER / COUVERCLE	5.063-766.0	1	27	O-RING 40,0 X 3,0 / GASKET / BAQUE D'ETANCHEITE	6.362-089.0	1
2	GEHAEUSE KOMPL / HOUSING / BOITIER	4.605-041.0	1	28	BLECH / PLATE / TOLE	5.001-762.0	1
	/ => 35011			28	BLECH / PLATE / TOLE	5.007-597.0	1
3	DICHTUNGSPROFIL / PROFILED JOINT / JOINT D'ETANCHEITE PROF.	6.366-043.0	2		EDELSTAHLAUSFUEHRUNG/STAINLESS STEEL CONSTRUCTION/CONSTRUCTION EN ACIER SPECIAL		
	ALS METERWARE BESTELLEN/TO ORDER AS CUT GOODS/COMMANDE COMME MARCHANDISE AU METRE				/ 1.127-332.0 / -432.0		
4	DICHTRING / JOINT RING / BAGUE D'ETANCHEITE	5.363-344.0	1	29	BLECH / PLATE / TOLE	5.001-813.0	1
5	SCHWIMMER / FLOAT / FLOTTEUR	5.585-028.0	1		VERSION 2/VERSION 2/VERSION 2		
6	SCHEIBE / WASHER / RONDELLE	5.115-754.0	1	30	DICHTUNG / SEAL / BOURRAGE	5.363-420.0	1
7	SCHRAUBE 5 X 16 / SCREW / VIS	7.303-107.0	3		VERSION 2/VERSION 2/VERSION 2		
8	DICHTRING / JOINT RING / BAGUE D'ETANCHEITE	5.363-195.0	1	32	SCHEIBE A 8,4 / WASHER / RONDELLE	7.312-017.0	1
9	STEBBOLZEN / BOLT / GOUCHON FILETE	5.308-056.0	3	33	O-RING 26,0 X 2,5 / GASKET / BAQUE D'ETANCHEITE	6.362-385.0	1
10	GUMMIPUFFER 2XM6 / RUBBER BUFFER / BUTOIR CAOUTCHOUC	6.339-021.0	3	34	ROHR / PIPE / TUYAU	5.128-352.0	1
11	6KT-MUTTER M 6 / HEXAGON NUT / ECROU HEXAGONAL	7.311-067.0	3	35	GEHAEUSE KOMPL / HOUSING / BOITIER	4.605-056.0	1
12	SAUGTURBINE 24V / VACUUM MOTOR / TURBINE D'ASPIRATION	6.490-115.0	1		35012 =>		
13	SCHLAUCHSCHELLE / HOSE BAND CLIP / COLLIER DE SERRAGE	6.388-713.0	1	36	KOHLBUERSTENSET / CARBON BRUSH SET / CHARBONS	6.610-220.0	1
14	SCHALLDAEMMSCHLAUCH / SOUNDPROOF HOSE / TUYAU FLEX. INSONORE	6.390-215.0	1				
15	SCHEIBE 8,4 / WASHER / RONDELLE	7.312-277.0	1				
16	SCHRAUBE / SCREW / VIS	5.304-068.0	1				
17	ZYL.SCHR. M 8X 45 / CHEESE HEAD SCREW / VIS A TETE CYLINDR.	7.306-049.0	2				
18	SAUGSCHLAUCH DN 32 / SUCTION HOSE / FLEXIBLE D'ASPIRATION	6.390-730.0	1				
19	SCHUTZKAPPE / PROTECTING CAP / CAPOT PROTECTION	6.368-295.0	2				
20	BLECH / PLATE / TOLE	5.001-752.0	1				
	VERSION 1/VERSION 1/VERSION 1						
21	HUELSE / SLEEVE / DOUILLE	5.110-680.0	1				
22	S-SCHEIBE 6 / LOCK WASHER / RONDELLE D'ARRET	7.343-204.0	1				
23	SCHEIBE 6,4 / WASHER / RONDELLE	7.312-276.0	3				
23	SCHEIBE 6,4 / WASHER / RONDELLE	7.312-292.0	3				
	EDELSTAHLAUSFUEHRUNG/STAINLESS STEEL CONSTRUCTION/CONSTRUCTION EN ACIER SPECIAL						
	/ 1.127-332.0 / -432.0						
24	ROHRKLEMME D 63 / PIPE CLIP / BORNE	6.373-692.0	1				

"=> xxxxxx" = bis Werknummer / up to serial No. / jusqu' au No. de fabr. / "xxxxxx =>" = ab Werknummer / from serial No. / a partir du No. de fabr. /

GRUPPE: 2.0 GERAET-EINZELTEILE
GROUP: 2.0 APPLIANCE - PIECE PARTS
GRUPPE: 2.0 USTENSILE-PIECES CONSTIT.



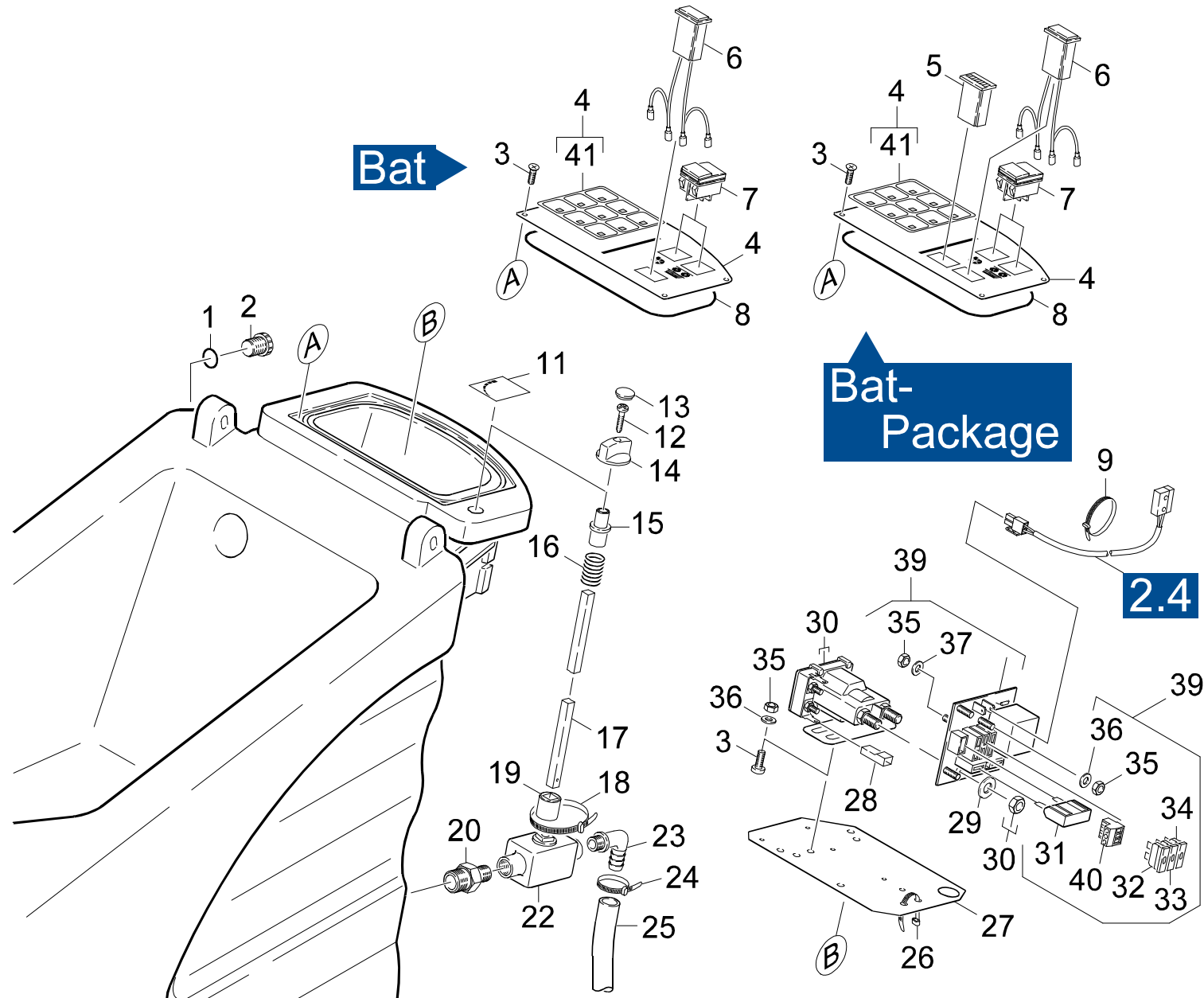
GRUPPE: 2.1 INSTRUMENTENTAFEL / /=> 35011
 GROUP: 2.1 CONTROL PANEL / /=> 35011
 GROUPE: 2.1 TABLEAU DE BORD / /=> 35011

C2

BR 530 BAT

POS. ITM. POS.	BENNENNUNG DESCRIPTION DESIGNATION	TEILE-NR. PART-NO. NO.PIECE	STCK QTY. NBR.	POS. ITM. POS.	BENNENNUNG DESCRIPTION DESIGNATION	TEILE-NR. PART-NO. NO.PIECE	STCK QTY. NBR.
1	INSTRUMENTENTAFEL / CONTROL PANEL / TABLEAU DE BORD / 1.127-161.0 / -261.0 / -361.0 / -461.0	5.841-346.0	1	68	MOOSGUMMISCHNUR / CELLULAR RUBBER CORD / CORDON EN CAOUTCHOUC CELL	6.273-145.0	1
1	INSTRUMENTENTAFEL / CONTROL PANEL / TABLEAU DE BORD BAT-PACKAGE / 1.127-131.0 / -231.0 / -331.0 / -431.0	5.841-351.0	1	69	SCHEIBE 5,3 / WASHER / RONDELLE	7.312-278.0	1
2	SCHILD / DECAL / PLAQUE	5.380-209.0	1	72	BETRIEBSSTUNDENZAE. / HOUR METRE / COMPTEUR HORRAIRE / 1.127-131.0 / -231.0 / -331.0 / -431.0	6.682-458.0	1
13	E-KLEINTEILE / ELECTRIC PARTS / PETIT MATERIEL DE MONTAGE / 1.127-131.0 / -161.0 / -231.0 / -261.0 / -331.0 / -361.0 / -431.0	4.839-216.0	1				
14	LINSENSCHR. 4X 16 / OVAL HEAD SCREW / VIS A TETE BOMBEE	6.303-209.0	4				
16	BATTERIEUEBERWACH. / BATTERY MONITOR / SURVEILLANCE DE BATTERIE / 1.127-131.0 / -161.0 / -231.0 / -261.0 / -331.0 / -361.0 / -431.0	6.682-395.0	1				
17	SCHALTER 2-POLIG / SWITCH / INTERRUPTEUR	6.630-005.0	2				
18	SCHRAUBE 5X16 / SCREW / VIS	6.303-155.0	1				
19	ROHRSCHELLE / PIPE CLAMP / COLLIER D'ATTACHE	6.373-670.0	1				
23	SCHILD WASSERHAHN / DECAL / PLAQUE	5.382-594.0	1				
24	ZIERKAPPE D10/D12 / ORNAMENTAL HUB CAP / ENJOLIVEUR DE ROUE	6.368-076.0	1				
25	BL.SCHR. ST3,5X25,0 / SHEET METAL SCREW / VIS A TOLE	7.303-053.0	1				
26	GRIFF / HANDLE / POIGNEE	5.321-509.0	1				
28	KUPPLUNG / COUPLER / COUPLEUR	5.470-034.0	1				
29	SCHRAUBENFEDER / HELICAL SPRING / RESSORT CYLINDRIQUE	5.332-290.0	1				
30	STANGE / BAR / TIGE	5.107-195.0	1				
32	KUPPLUNG / COUPLER / COUPLEUR	5.470-033.0	1				
33	DOPPELNIPPEL / DOUBLE NIPPLE / NIPPLE DOUBLE	5.409-266.0	1				
34	WINKELTUELLE / ANGLE SOCKET / COUDE	6.390-002.0	1				
35	SCHLAUCHSCHELLE / HOSE BAND CLIP / COLLIER DE SERRAGE	6.388-545.0	2				
36	SCHLAUCH DN12,5 / HOSE / TUYAU FLEXIBLE ALS METERWARE BESTELLEN/TO ORDER AS CUT GOODS/COMMANDE COMME MARCHANDISE AU METRE	6.388-248.0	1				
37	KUGELHAHN / BALL VALVE / ROBINET SPHERIQUE	6.412-289.0	1				
38	O-RING 10,0 X 2,0 / GASKET / BAQUE D'ETANCHEITE	6.362-151.0	1				
39	VERSCHLUSSSCHRAUBE / CLOSING SCREW / VIS DE FERMETURE	6.382-001.0	1				

"=> xxxxxx" = bis Werknummer / up to serial No. / jusqu' au No. de fabr. / "xxxxxx =>" = ab Werknummer / from serial No. / a partir du No. de fabr. /



Symbolbeschreibung siehe M16 / symbol description see M16 / désignation de système voir M16 /

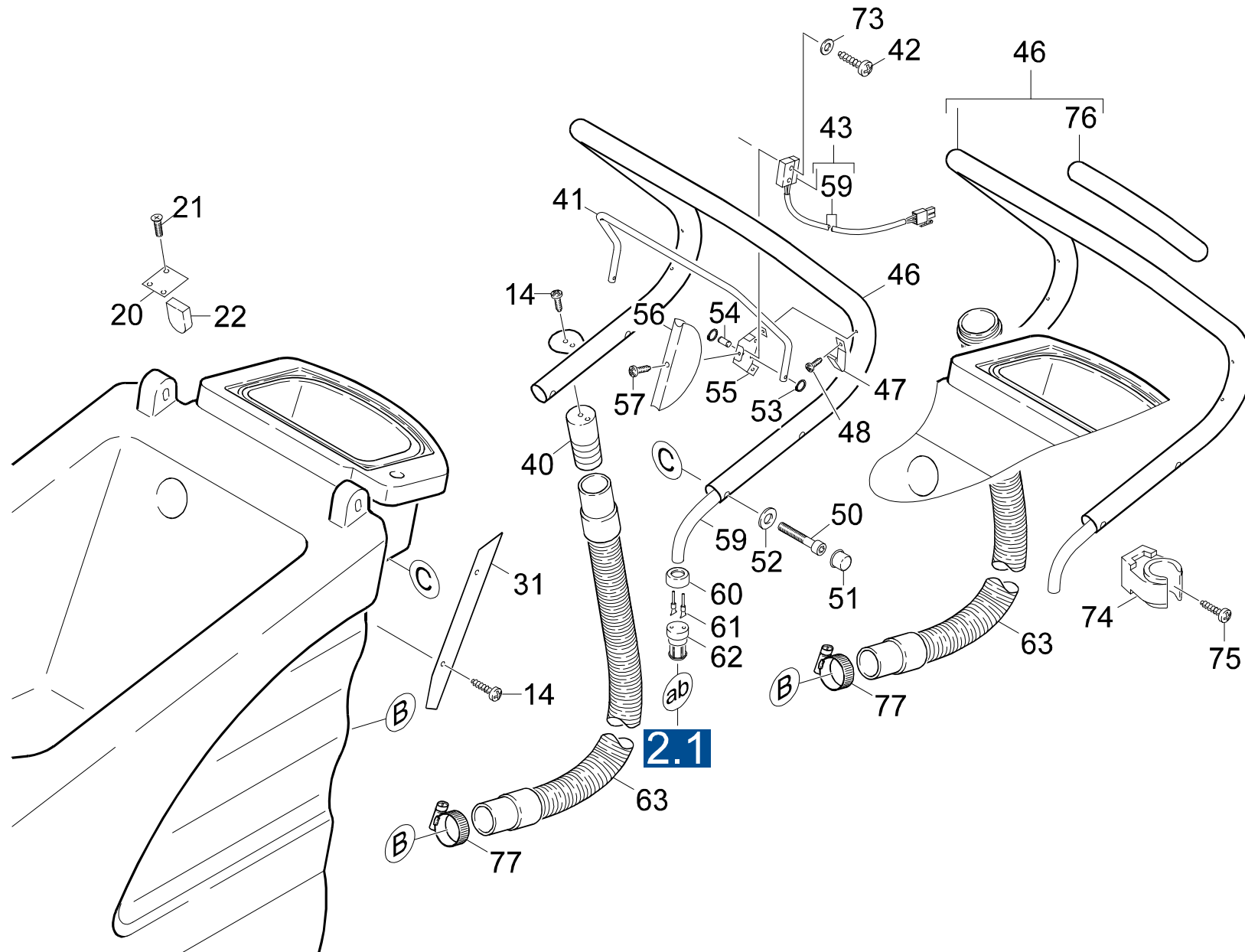
GRUPPE: 2.2 INSTRUMENTENTAFEL / 35012 =>
 GROUP: 2.2 CONTROL PANEL / 35012 =>
 GROUPE: 2.2 TABLEAU DE BORD / 35012 =>

E2

BR 530 BAT

POS. ITM. POS.	BENNENNUNG DESCRIPTION DESIGNATION	TEILE-NR. PART-NO. NO.PIECE	STCK QTY. NBR.	POS. ITM. POS.	BENNENNUNG DESCRIPTION DESIGNATION	TEILE-NR. PART-NO. NO.PIECE	STCK QTY. NBR.
1	FLACHDICHTUNG 13X20 / SEAL / GARNITURE PLATE	6.641-654.0	1	24	SCHLAUCHSCHELLE / HOSE BAND CLIP / COLLIER DE SERRAGE	6.388-545.0	1
2	VERSCHLUSS KAPPE / CLOSURE / FERMOIR	6.382-003.0	1	25	SCHLAUCH DN12,5 / HOSE / TUYAU FLEXIBLE	6.388-248.0	2
3	SCHRAUBE M 5X 10 / SCREW / VIS	7.306-071.0	6		ALS METERWARE BESTELLEN/TO ORDER AS CUT GOODS/COMMANDE COMME MARCHANDISE AU METRE		
4	INSTRUMENTENTAFEL / CONTROL PANEL / TABLEAU DE BORD	4.841-118.0	1	26	KABELBAND / CABLE TIE / PROTECT. DE CABLE	6.641-463.0	1
	/ 1.127-161.0 / -261.0 / -361.0 / -461.0 / -681.0 / -881.0			27	PLATTE / PLATE / PLAQUE	5.007-204.0	1
4	INSTRUMENTENTAFEL / CONTROL PANEL / TABLEAU DE BORD	4.841-120.0	1	28	ISOLIERGEHAEUSE / INSULATING HOUSING / BOITIER ISOLANTE	6.647-748.0	11
	BAT-PACKAGE			29	SCHEIBE B 8,4 / WASHER / RONDELLE	7.312-004.0	4
	/ 1.127-131.0 / -231.0 / -331.0 / -431.0			30	LEISTUNGSRELAIS / POWER RELAY / RELAIS DE PUISSANCE	6.633-389.0	1
5	BETRIEBSSTUNDENZAEL. / HOUR METRE / COMPTEUR HORRAIRE	6.681-088.0	1	31	SICHERUNGSEINS C 30 / FUSE INSERT / CARTOUCHE FUSIBLE	7.644-040.0	1
	/ 1.127-131.0 / -231.0 / -331.0 / -431.0			32	SICHERUNGSEINSATZ / FUSE INSERT / CARTOUCHE FUSIBLE	6.644-277.0	1
6	E-AUSRUESTUNG BAT P / ELECTRIC EQUIPMENT / EQUIPEMENT ELECTRIQUE	2.816-036.0	1	33	SICHERUNGSEINS C3 / FUSE INSERT / CARTOUCHE FUSIBLE	7.644-006.0	1
6	BATTERIEUEBERWACH. / BATTERY MONITOR / SURVEILLANCE DE BATTERIE	6.682-395.0	1	34	SICHERUNGSEINS C 15 / FUSE INSERT / CARTOUCHE FUSIBLE	7.644-018.0	1
	38122 =>			35	6KT-MUTTER M 5 / HEXAGON NUT / ECROU HEXAGONAL	7.311-002.0	9
7	SCHALTER 2-POLIG / SWITCH / INTERRUPTEUR	6.630-005.0	2	36	SCHEIBE B 5,3 / WASHER / RONDELLE	7.312-002.0	3
8	MOOSGUMMISCHNUR D7 / CELLULAR RUBBER CORD / CORDON EN CAOUTCHOUC CELL	6.273-195.0	1	37	SCHEIBE 5,3 / WASHER / RONDELLE	7.312-278.0	4
9	KABELBAND / CABLE TIE / PROTECT. DE CABLE	6.641-458.0	1	39	PLATINE VERTEILER / CIRCUIT BOARD / PLATINE	6.682-570.0	1
11	SCHILD WASSERHAHN / DECAL / PLAQUE	5.382-594.0	1	40	STECKER 3-POLIG / PLUG / FICHE	6.646-471.0	1
12	BL.SCHR. ST3,5X25 / SHEET METAL SCREW / VIS A TOLE	7.303-065.0	1	41	SCHILD / DECAL / PLAQUE	5.380-209.0	1
13	ZIERKAPPE D10/D12 / ORNAMENTAL HUB CAP / ENJOLIVEUR DE ROUE	6.368-076.0	1				
14	GRIFF / HANDLE / POIGNEE	5.321-509.0	1				
15	KUPPLUNG / COUPLER / COUPLEUR	5.470-034.0	1				
16	SCHRAUBENFEDER / HELICAL SPRING / RESSORT CYLINDRIQUE	5.332-290.0	1				
17	STANGE / BAR / TIGE	5.107-195.0	1				
17	STANGE / BAR / TIGE	5.107-238.0	1				
	EDELSTAHLAUSFUEHRUNG/STAINLESS STEEL CONSTRUCTION/CONSTRUCTION EN ACIER SPECIAL						
	/ 1.127-332.0 / -432.0						
18	KABELBINDER / TIE BAND / SERRE-CABLE	6.641-464.0	6				
19	KUPPLUNG / COUPLER / COUPLEUR	5.470-033.0	1				
20	DOPPELNIPPEL / DOUBLE NIPPLE / NIPPLE DOUBLE	5.409-306.0	1				
22	KUGELHAHN / BALL VALVE / ROBINET SPHERIQUE	6.412-289.0	1				
23	WINKELTUELLE / ANGLE SOCKET / COUDE	6.390-002.0	1				

"=> xxxxxx" = bis Werknummer / up to serial No. / jusqu' au No. de fabr. / "xxxxxx =>" = ab Werknummer / from serial No. / a partir du No. de fabr. /



Symbolbeschreibung siehe M16 / symbol description see M16 / désignation de système voir M16 /

GRUPPE: 2.3 GRIFF / / => 35011
 GROUP: 2.3 HANDLE / / => 35011
 GROUPE: 2.3 POIGNEE / / => 35011

G2

BR 530 BAT

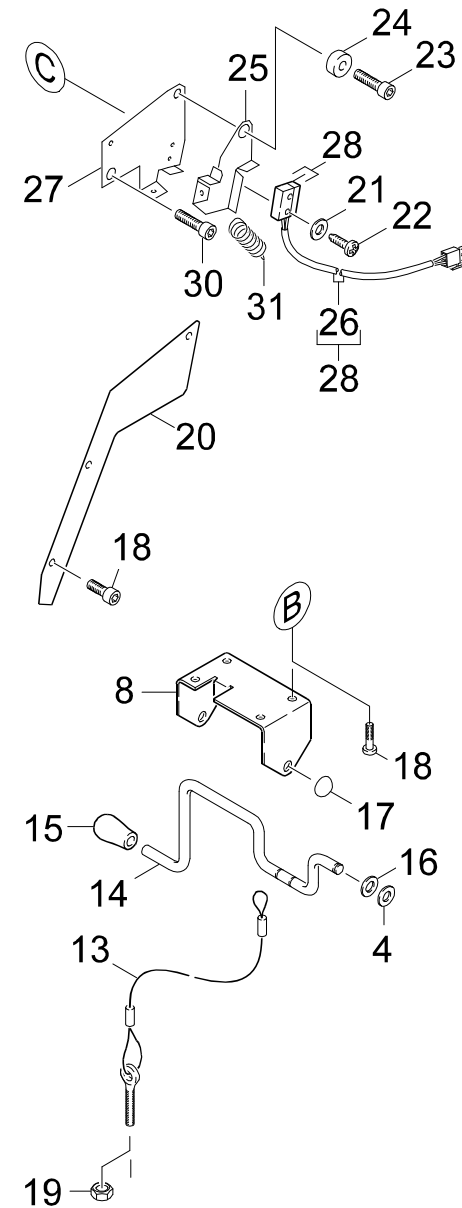
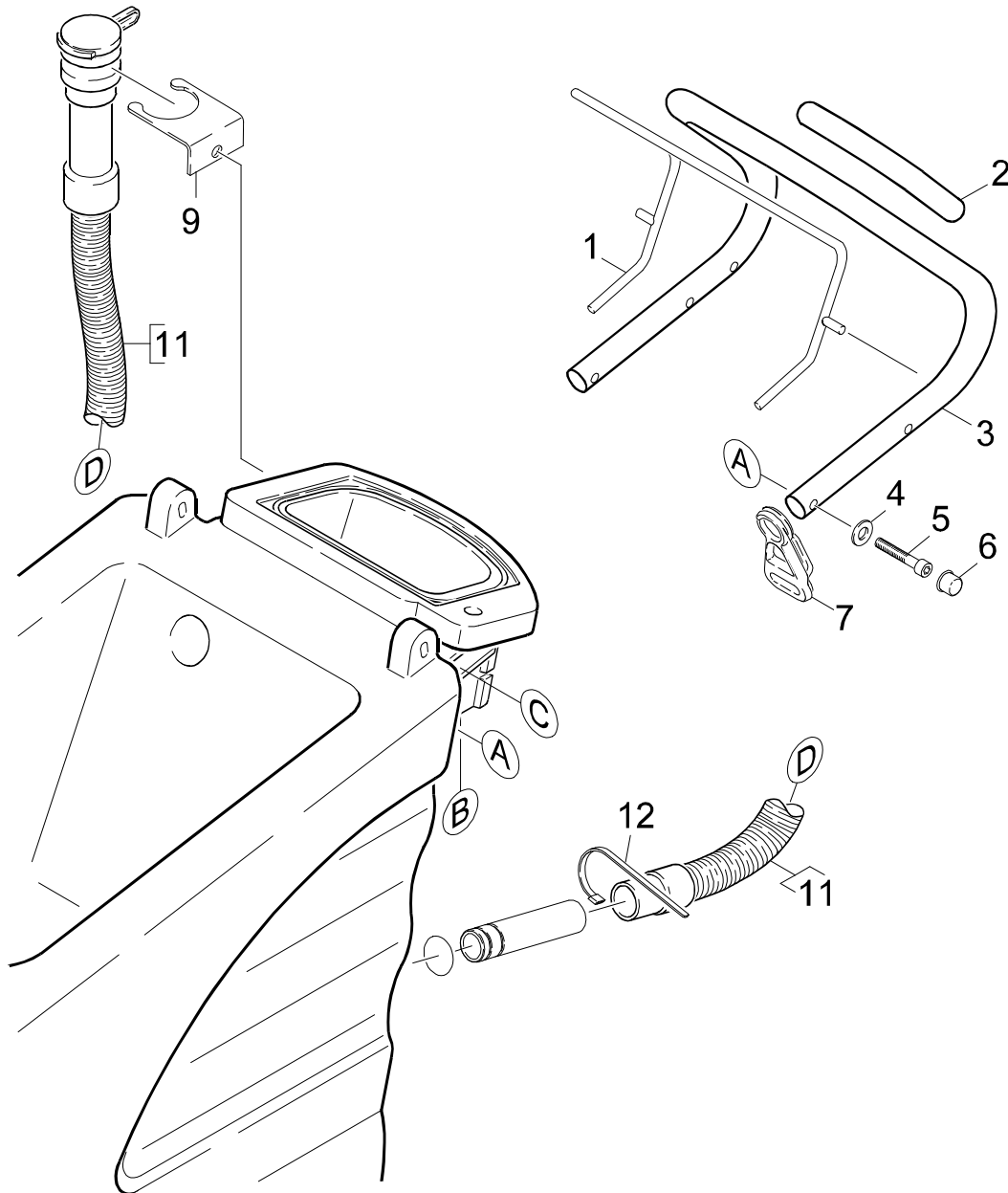
POS. ITM. POS.	BENNENNUNG DESCRIPTION DESIGNATION	TEILE-NR. PART-NO. NO.PIECE	STCK QTY. NBR.	POS. ITM. POS.	BENNENNUNG DESCRIPTION DESIGNATION	TEILE-NR. PART-NO. NO.PIECE	STCK QTY. NBR.
14	LINSENSCHR. 4X 16 / OVAL HEAD SCREW / VIS A TETE BOMBEE	6.303-209.0	3	63	ABLASSSCHLAUCH DN32 / DRAIN HOSE / TUYAU FLEX. D'ECOULEMENT	6.390-177.0	1
20	LASCHE / RETAINER CLIP / ECLISSE	5.004-837.0	1		/ => 14769		
21	SENKSCHR. 4 X 16 / FLAT HEADED SCREW / VIS A TETE CONIQUE	7.303-125.0	3	73	SCHEIBE A 4,3 / WASHER / RONDELLE	7.312-067.0	2
22	DICHTUNG / SEAL / BOURRAGE	5.365-220.0	2	74	ROHRKLEMM D 63 / PIPE CLIP / BORNE	6.373-692.0	1
31	BLECH / PLATE / TOLE	5.001-716.0	1		14815 =>		
40	FORMTEIL / MOULDED PART / PREFORME	5.030-350.0	1	75	ZYL.SCHR. M 8X 12 / CHEESE HEAD SCREW / VIS A TETE CYLINDR.	7.306-119.0	1
41	BUEGEL / STRAP / ETRIER	5.034-554.0	1		14815 =>		
42	BL.SCHR. ST2,2X13,0 / SHEET METAL SCREW / VIS A TOLE	7.303-386.0	2	76	SCHLAUCHSTUECK / HOSE / BOUT DE TUYAU	5.442-930.0	1
43	SCHALTER MIKRO / SWITCH / INTERRUPTEUR	4.744-154.0	1		14815 =>		
46	GRIFF / HANDLE / POIGNEE	4.321-099.0	1	77	SCHLAUCHSCHELLE / HOSE BAND CLIP / COLLIER DE SERRAGE	6.388-549.0	1
46	GRIFF / HANDLE / POIGNEE	4.321-134.0	1				
	14815 =>						
47	BLATTFEDER / PLATE SPRING / RESSORT A LAMES	5.337-031.0	1				
48	SCHRAUBE M 4X 10 / SCREW / VIS	7.303-031.0	4				
50	ZYL.SCHR. M 8X 35 / CHEESE HEAD SCREW / VIS A TETE CYLINDR.	7.306-044.0	4				
51	SCHUTZKAPPE / PROTECTING CAP / CAPOT PROTECTION	6.368-295.0	4				
52	SCHEIBE B 8,4 / WASHER / RONDELLE	7.312-004.0	4				
53	S-SCHEIBE 3,2 / LOCK WASHER / RONDELLE D'ARRET	7.343-305.0	4				
54	BOLZEN / BOLT / BOULON	5.316-862.0	2				
55	HALTER / BRACKET / FIXATION	5.044-120.0	2				
56	ABDECKUNG / COVERING CAP / CHAPEAU	5.031-541.0	1				
57	BL.SCHR. ST4,2X 6,5 / SHEET METAL SCREW / VIS A TOLE	7.303-135.0	2				
59	ISOLIERSCHLAUCH 4 / INSULATING HOSE / TUYAU ISOLANT	6.642-003.0	1				
	ALS METERWARE BESTELLEN/TO ORDER AS CUT GOODS/COMMANDE COMME MARCHANDISE AU METRE						
60	GUMMIKAPPE 2-ADRIG / RUBBER CAP / CAPUCHON EN CAOUTCHOUC	6.647-994.0	1				
61	STIFTKONTAKT / PIN / CHEVILLE	6.646-390.0	3				
	STUECKZAHL NACH BEDARF/QUANTITY ACCORDING TO DEMAND/NOMBRE DE PIECES AU BESOIN						
62	STECKERGEHAEUSE / PLUG HOUSING / LOGEMENT DE PRISE	6.646-388.0	1				
63	ABLASSSCHLAUCH / DRAIN HOSE / TUYAU FLEX. D'ECOULEMENT	4.446-010.0	1				
	14770 =>						

"=> xxxxxx" = bis Werknummer / up to serial No. / jusqu' au No. de fabr. / "xxxxxx =>" = ab Werknummer / from serial No. / a partir du No. de fabr. /

GRUPPE: 2.4 GRIFF / 35012 =>
GROUP: 2.4 HANDLE / 35012 =>
GRUPPE: 2.4 POIGNEE / 35012 =>

H2

BR 530 BAT



Symbolbeschreibung siehe M16 / symbol description see M16 / désignation de système voir M16 /

GRUPPE: 2.4 GRIFF / 35012 =>
 GROUP: 2.4 HANDLE / 35012 =>
 GROUPE: 2.4 POIGNEE / 35012 =>

I2

BR 530 BAT

POS. ITM. POS.	BENNENUNG DESCRIPTION DESIGNATION	TEILE-NR. PART-NO. NO.PIECE	STCK QTY. NBR.
1	BUEGEL KPL. / STRAP / ETRIER	4.034-107.0	1
2	SCHLAUCH / HOSE / TUYAU FLEXIBLE	6.390-269.0	1
3	GRIFF / HANDLE / POIGNEE	4.321-135.0	1
4	SCHEIBE A 8,4 / WASHER / RONDELLE	7.312-017.0	10
5	ZYL.SCHR. M 8X 35 / CHEESE HEAD SCREW / VIS A TETE CYLINDR.	7.306-044.0	4
6	SCHUTZKAPPE / PROTECTING CAP / CAPOT PROTECTION	6.368-295.0	4
7	ZUGENTLASTUNG / PULL RELIEF / DECHARGE DETRACTION	6.641-776.0	1
8	HALTER / BRACKET / FIXATION	5.044-298.0	1
9	BLECHTEIL / PLATE / TOLE	5.059-011.0	1
10	ZYL.SCHR. M 8X 12 / CHEESE HEAD SCREW / VIS A TETE CYLINDR.	7.306-119.0	1
11	ABLASSSCHLAUCH DN32 / DRAIN HOSE / TUYAU FLEX. D'ECOULEMENT	6.390-610.0	1
11	ABLASSSCHLAUCH DN32 / DRAIN HOSE / TUYAU FLEX. D'ECOULEMENT	6.390-733.0	1
OELFEST/OIL RESISTANT/RESISTANT # L'HUILE			
12	SCHLAUCHSCHELLE / HOSE BAND CLIP / COLLIER DE SERRAGE	6.388-549.0	2
13	SEIL / ROPE / CABLE	4.172-016.0	1
14	BUEGEL / STRAP / ETRIER	5.034-614.0	1
15	SCHALTKNOPF D 8 / SWITCH KNOB / BOUTON DE COMMANDE	6.321-154.0	1
16	S-SCHEIBE 7 / LOCK WASHER / RONDELLE D'ARRET	7.343-300.0	2
17	SICHERUNGSSCHEIBE 8 / LOCK WASHER / RONDELLE D'ARRET	6.343-132.0	3
18	SCHRAUBE 5 X 16 / SCREW / VIS	7.303-107.0	7
19	6KT-MUTTER M 8 / HEXAGON NUT / ECROU HEXAGONAL	7.311-224.0	1
20	BLECH / PLATE / TOLE	5.007-007.0	1
21	BL.SCHR. ST2,2X13,0 / SHEET METAL SCREW / VIS A TOLE	7.303-386.0	2
22	SCHEIBE 3,2 / WASHER / RONDELLE	7.312-280.0	2
23	SCHRAUBE M 6X 16 / SCREW / VIS	7.306-193.0	1
24	SCHEIBE / WASHER / RONDELLE	5.115-860.0	1
25	BLECHTEIL / PLATE / TOLE	5.048-878.0	1
26	ISOLIER SCHLAUCH 4 / INSULATING HOSE / TUYAU ISOLANT	6.642-003.0	1
ALS METERWARE BESTELLEN/TO ORDER AS CUT GOODS/COMMANDE COMME MARCHANDISE AU METRE			
27	BLECHTEIL / PLATE / TOLE	5.048-904.0	1
28	SCHALTER MIKRO / SWITCH / INTERRUPTEUR	4.744-154.0	1
30	SCHRAUBE M 6X 10 / SCREW / VIS	7.306-191.0	1
31	ZUGFEDER / EXTENSION SPRING / RESSORT DE TRACTION	6.330-011.0	1

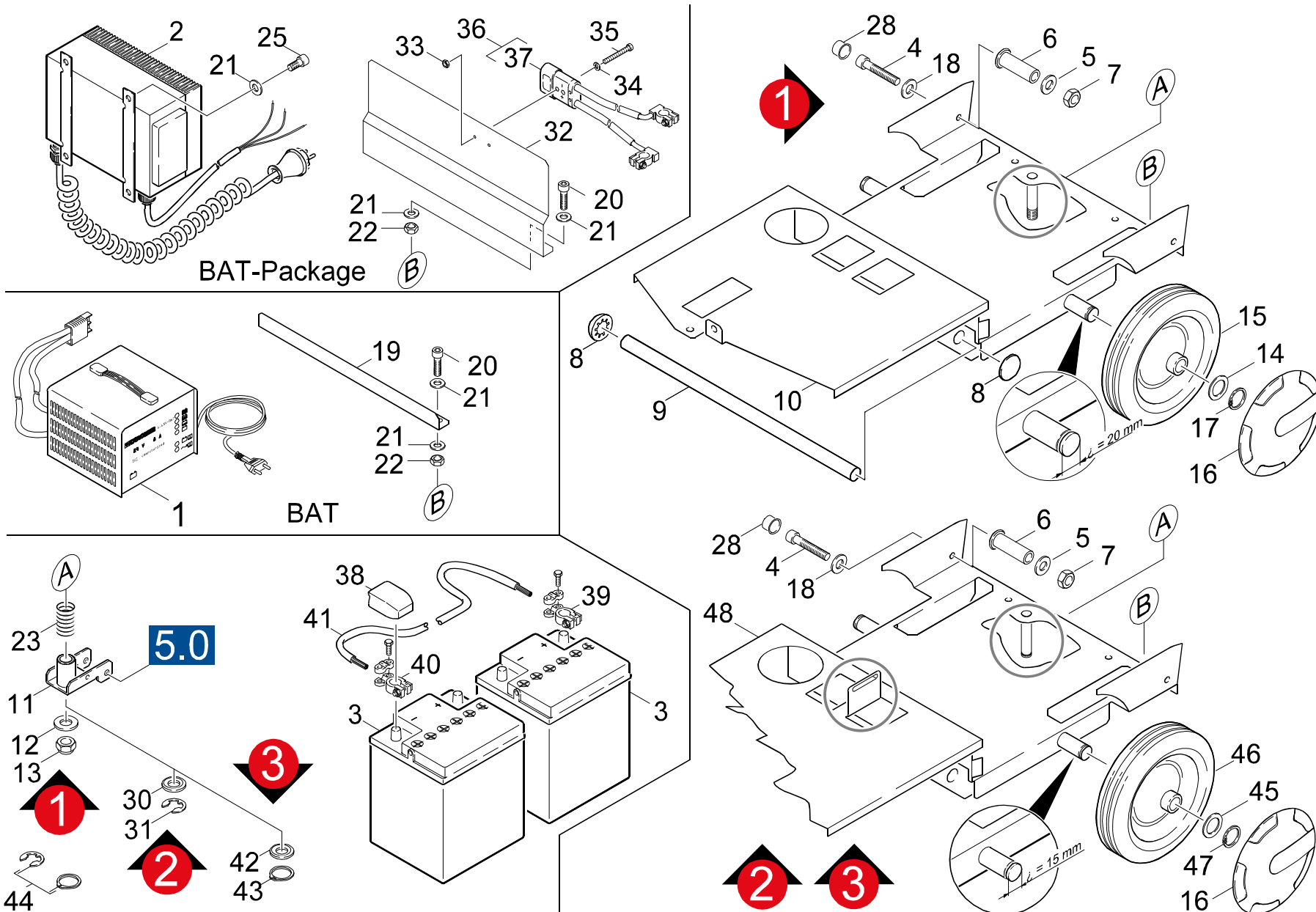
"=> xxxxxx" = bis Werknummer / up to serial No. / jusqu' au No. de fabr. / "xxxxxx =>" = ab Werknummer / from serial No. / a partir du No. de fabr. /

GRUPPE: 3.0 FAHRGESTELL
GROUP: 3.0 CHASSIS
GRUPPE: 3.0 CHASSIS

A3

BR 530 B

GRUPPE: 3.0 FAHRGESTELL
GROUP: 3.0 CHASSIS
GRUPPE: 3.0 CHASSIS



Symbolbeschreibung siehe M16 / symbol description see M16 / désignation de système voir M16 /

GRUPPE: 3.0 FAHRGESTELL
 GROUP: 3.0 CHASSIS
 GROUPE: 3.0 CHASSIS

C3

BR 530 BAT

POS. ITM. POS.	BENNENUNNG DESCRIPTION DESIGNATION	TEILE-NR. PART-NO. NO.PIECE	STCK QTY. NBR.	POS. ITM. POS.	BENNENUNNG DESCRIPTION DESIGNATION	TEILE-NR. PART-NO. NO.PIECE	STCK QTY. NBR.
1	LADEGERAET 24V / BATTERY CHARGER / CHARGEUR WARTUNGSARM/LOW-MAINTENANCE/FAIBLE ENTRETIEN NECESSAIRE	6.654-067.0	1	10	HALTER / BRACKET / FIXATION VERS 1 / => 13376	4.044-002.0	1
1	LADEGERAET 24V / BATTERY CHARGER / CHARGEUR WARTUNGSFREI/MAINTENANCE-FREE/SANS ENTRETIEN	6.654-102.0	1	11	TRAEGER / CARRIER / LONGERON / => 13376	4.058-084.0	1
2	BATTERIELADEGERAET / BATTERY CHARGER / CHARGEUR	6.654-094.0	1	11	TRAEGER SAUGBALKEN / CARRIER / LONGERON 13377 =>	4.058-087.0	1
3	ANTRIEBSBATTERIE / BATTERY / BATTERIE WARTUNGSFREI/MAINTENANCE-FREE/SANS ENTRETIEN	6.654-093.0	2	11	TRAEGER SAUGBALKEN / CARRIER / LONGERON EDELSTAHLAUSFUEHRUNG/STAINLESS STEEL CONSTRUCTION/CONSTRUCTION EN ACIER SPECIAL	4.058-125.0	1
3	BATTERIE . / BATTERY / BATTERIE WARTUNGSARM/LOW-MAINTENANCE/FAIBLE ENTRETIEN NECESSAIRE	6.654-097.0	2		/ 1.127-332.0 / -432.0		
4	ZYL.SCHR. M 8X 30 / CHEESE HEAD SCREW / VIS A TETE CYLINDR. VERS 1 / => 13376	7.306-043.0	2	12	SCHEIBE B 13 / WASHER / RONDELLE VERS 1	7.312-008.0	1
4	ZYL.SCHR. M 8X 40 / CHEESE HEAD SCREW / VIS A TETE CYLINDR. VERS 2/3 13377 =>	7.306-075.0	2	13	6KT-MUTTER M12 / HEXAGON NUT / ECROU HEXAGONAL VERS 1	7.311-429.0	1
4	ZYL.SCHR. M 8X 40 / CHEESE HEAD SCREW / VIS A TETE CYLINDR. EDELSTAHLAUSFUEHRUNG/STAINLESS STEEL CONSTRUCTION/CONSTRUCTION EN ACIER SPECIAL	7.306-114.0	2	15	RAD D.200 / WHEEL / ROUE VERS 1	6.435-324.0	2
	/ 1.127-332.0 / -432.0			16	RADKAPPE -NEUTRAL / WHEEL CAB / ENJOLIVEUR	6.435-301.0	2
5	SCHEIBE 8,4 / WASHER / RONDELLE	7.312-277.0	4	17	S-RING 20X1,2 / SPRING CLIP / CIRCLIP VERS 1	7.343-007.0	2
5	SCHEIBE 8,4 / WASHER / RONDELLE EDELSTAHLAUSFUEHRUNG/STAINLESS STEEL CONSTRUCTION/CONSTRUCTION EN ACIER SPECIAL	7.312-289.0	4	18	SCHEIBE A 8,4 / WASHER / RONDELLE	7.312-017.0	1
	/ 1.127-332.0 / -432.0			19	WINKEL / ANGLE / ANGLE / 1.127-131.0 / -231.0 / -331.0 / -431.0	5.017-052.0	1
6	HUELSE / SLEEVE / DOUILLE VERS 1 / => 13376	5.110-680.0	2	19	WINKEL / ANGLE / ANGLE EDELSTAHLAUSFUEHRUNG/STAINLESS STEEL CONSTRUCTION/CONSTRUCTION EN ACIER SPECIAL	5.017-687.0	1
6	HUELSE / SLEEVE / DOUILLE VERS 2/3 13377 =>	5.110-777.0	2		/ 1.127-332.0 / -432.0		
7	6KT-MUTTER M 8 / HEXAGON NUT / ECROU HEXAGONAL	7.311-004.0	2	20	SCHRAUBE M 6X 16 / SCREW / VIS	7.306-090.0	2
8	SICHERUNGSSCHEIBE / LOCK WASHER / RONDELLE D'ARRET VERS 1 / => 13376	6.343-122.0	2	20	SCHRAUBE M 6X 16 / SCREW / VIS EDELSTAHLAUSFUEHRUNG/STAINLESS STEEL CONSTRUCTION/CONSTRUCTION EN ACIER SPECIAL	7.306-193.0	2
9	ACHSE / AXLE / ESSIEU VERS 1 / => 13376	5.105-261.0	1		/ 1.127-332.0 / -432.0		
9	ACHSE / AXLE / ESSIEU EDELSTAHLAUSFUEHRUNG/STAINLESS STEEL CONSTRUCTION/CONSTRUCTION EN ACIER SPECIAL	5.105-372.0	1	21	SCHEIBE B 6,4 / WASHER / RONDELLE	7.312-003.0	8
	/ 1.127-332.0 / -432.0			22	6KT-MUTTER M 6 / HEXAGON NUT / ECROU HEXAGONAL	7.311-067.0	2
				23	SCHRAUBENFEDER / HELICAL SPRING / RESSORT CYLINDRIQUE	5.332-206.0	1

"=> xxxxxx" = bis Werknummer / up to serial No. / jusqu' au No. de fabr. / "xxxxxx =>" = ab Werknummer / from serial No. / a partir du No. de fabr. /

GRUPPE: 3.0 FAHRGESTELL
 GROUP: 3.0 CHASSIS
 GROUPE: 3.0 CHASSIS

D3

BR 530 BAT

POS. ITM. POS.	BENNENNUNG DESCRIPTION DESIGNATION	TEILE-NR. PART-NO. NO.PIECE	STCK QTY. NBR.	POS. ITM. POS.	BENNENNUNG DESCRIPTION DESIGNATION	TEILE-NR. PART-NO. NO.PIECE	STCK QTY. NBR.
23	SCHRAUBENFEDER / HELICAL SPRING / RESSORT CYLINDRIQUE / 1.127-332.0 / -432.0	5.332-495.0	1	47	S-RING 15X1 / SPRING CLIP / CIRCLIP	7.343-004.0	2
25	SCHRAUBE M 6X 10 / SCREW / VIS / 1.127-131.0 / -231.0 / -331.0 / -431.0	7.306-191.0	4	47	S-RING 15X1 / SPRING CLIP / CIRCLIP EDELSTAHLAUSFUEHRUNG/STAINLESS STEEL CONSTRUCTION/CONSTRUCTION EN ACIER SPECIAL / 1.127-332.0 / -432.0	7.343-015.0	2
28	SCHUTZKAPPE / PROTECTING CAP / CAPOT PROTECTION	6.368-295.0	2	48	HALTER / BRACKET / FIXATION	4.044-010.0	1
30	SCHEIBE B 17 / WASHER / RONDELLE VERS 2	7.312-057.0	1		13377 =>		
31	S-SCHEIBE 12 / LOCK WASHER / RONDELLE D'ARRET VERS 2	7.343-206.0	1	48	HALTER / BRACKET / FIXATION EDELSTAHLAUSFUEHRUNG/STAINLESS STEEL CONSTRUCTION/CONSTRUCTION EN ACIER SPECIAL / 1.127-332.0 / -432.0	4.044-044.0	1
32	WINKEL / ANGLE / ANGLE / 1.127-161.0 / -261.0 / -361.0 / -461.0 / -681.0 / -881.0	5.017-085.0	1				
33	6KT-MUTTER M 3 / HEXAGON NUT / ECROU HEXAGONAL	7.311-000.0	2				
34	SCHEIBE A 3,2 / WASHER / RONDELLE	7.312-043.0	2				
35	SCHRAUBE M 3X 20 / SCREW / VIS	7.306-055.0	2				
36	ANSCHLUSSKABEL KPL. / CONNECTION CABLE / CABLE	6.647-990.0	1				
37	STECKER 50A-2POL / PLUG / FICHE	6.646-140.0	1				
38	ABDECKKAPPE / CAP / CHAPE / 1.127-131.0 / -231.0 / -331.0 / -431.0	6.654-106.0	1				
39	BATTERIEKLEMME +POL / BATTERY TERMINAL / BORNE DE BATTERIE / 1.127-131.0 / -231.0 / -331.0 / -431.0	6.654-104.0	1				
40	BATTERIEKLEMME -POL / BATTERY TERMINAL / BORNE DE BATTERIE / 1.127-131.0 / -231.0 / -331.0 / -431.0	6.654-105.0	1				
41	ANSCHLUSSKABEL / CONNECTION CABLE / CABLE	6.647-738.0	1				
42	SCHEIBE / WASHER / RONDELLE VERS 3	5.115-493.0	1				
43	S-RING 16X1 / SPRING CLIP / CIRCLIP VERS 3	7.343-005.0	1				
43	S-RING 16X1 / SPRING CLIP / CIRCLIP EDELSTAHLAUSFUEHRUNG/STAINLESS STEEL CONSTRUCTION/CONSTRUCTION EN ACIER SPECIAL / 1.127-332.0 / -432.0	7.343-021.0	1				
44	EINZELTEILE / PIECE PARTS / PIECES CONSTITUANTES	2.850-322.0	1				
45	SCHEIBE / WASHER / RONDELLE	5.115-255.0	2				
45	SCHEIBE / WASHER / RONDELLE	5.115-608.0	2				
46	RAD D.200 / WHEEL / ROUE VERS 2/3	6.435-356.0	2				

"=> xxxxxx" = bis Werknummer / up to serial No. / jusqu' au No. de fabr. / "xxxxxx =>" = ab Werknummer / from serial No. / a partir du No. de fabr. /

GRUPPE: 4.0 SCHALTKASTEN BAT / /=> 35011
GROUP: 4.0 SWITCH BOX / /=> 35011
GRUPPE: 4.0 COFFRET ELECTRIQUE / /=> 35011

A4

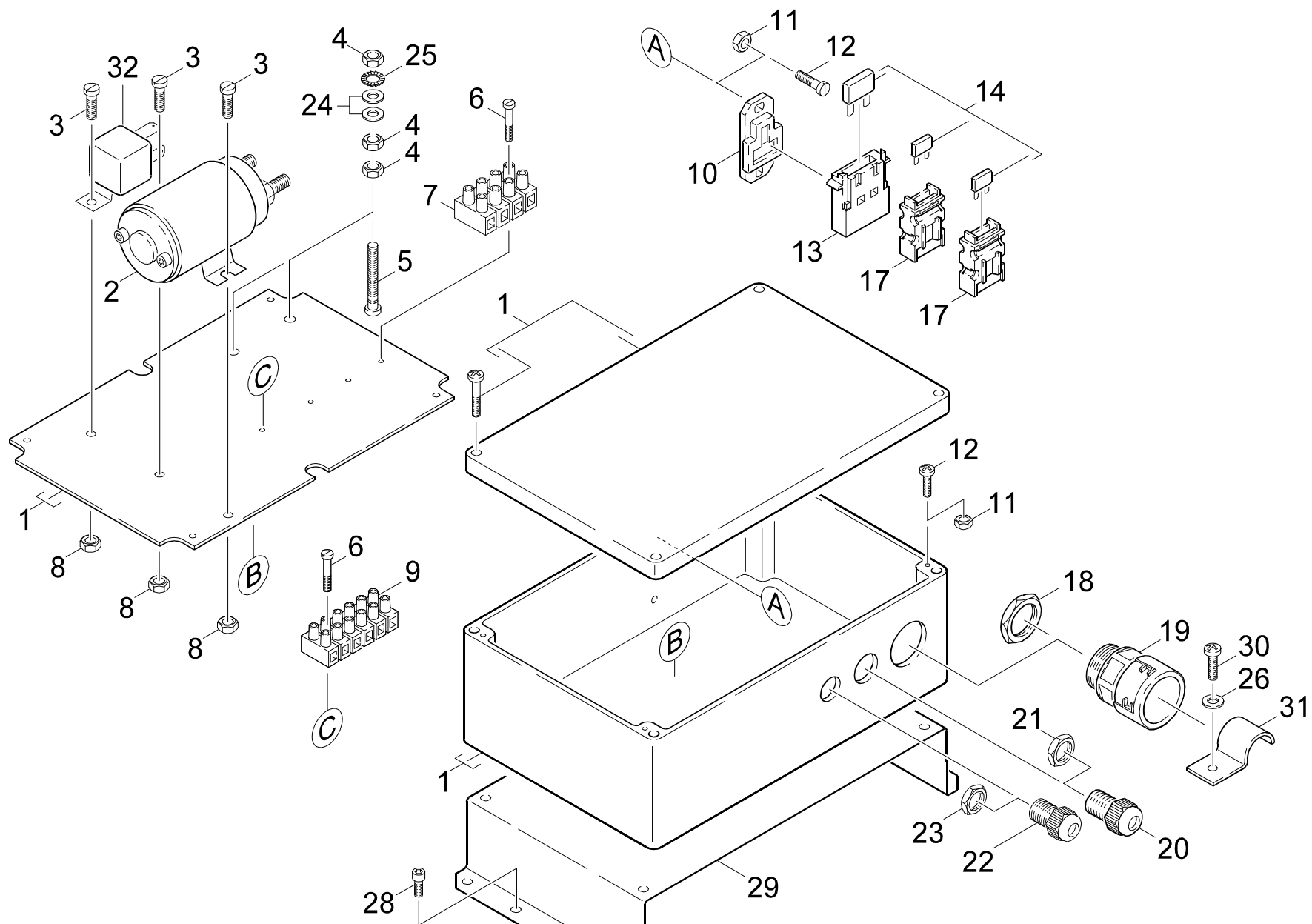
BR 530 B

GRUPPE: 4.0 SCHALTKASTEN BAT
GROUP: 4.0 SWITCH BOX
GRUPPE: 4.0 COFFRET ELECTRIQUE

GRUPPE: 4.0 SCHALKASTEN BAT // => 35011
GROUP: 4.0 SWITCH BOX // => 35011
GRUPPE: 4.0 COFFRET ELECTRIQUE // => 35011

B4

BR 530 BAT



Symbolbeschreibung siehe M16 / symbol description see M16 / désignation de système voir M16 /

GRUPPE: 4.0 SCHALKASTEN BAT / /=> 35011
 GROUP: 4.0 SWITCH BOX / /=> 35011
 GROUPE: 4.0 COFFRET ELECTRIQUE / /=> 35011

C4

BR 530 BAT

POS. ITM. POS.	BENNENUNG DESCRIPTION DESIGNATION	TEILE-NR. PART-NO. NO.PIECE	STCK QTY. NBR.
1	KASTEN + MONTAGEPL. / CHEST / COFFRE	6.601-301.0	1
2	LEISTUNGSRELAIS / POWER RELAY / RELAIS DE PUISSANCE	6.633-389.0	1
3	SCHRAUBE M 5X 16 / SCREW / VIS	7.306-077.0	3
4	6KT-MUTTER M 6 / HEXAGON NUT / ECROU HEXAGONAL	7.311-003.0	6
5	FL.SCHR. M 6X 35 / FLAT SCREW / VIS	7.306-550.0	2
6	SCHRAUBE 3,0X16 / SCREW / VIS	6.303-176.0	4
7	KLEMMLEISTE 4-POL. / STRIP TERMINAL / BORNE PLATE	6.643-687.0	1
8	6KT-MUTTER M 5 / HEXAGON NUT / ECROU HEXAGONAL	7.311-002.0	3
9	KLEMMLEISTE 6-POL. / STRIP TERMINAL / BORNE PLATE	6.643-686.0	1
10	ANBAUPLATTE / PLATE / PLAQUE	6.644-276.0	1
11	6KT-MUTTER M 4 / HEXAGON NUT / ECROU HEXAGONAL	7.311-001.0	6
12	ZYL.SCHR. M 4X 12 / CHEESE HEAD SCREW / VIS A TETE CYLINDR.	7.306-628.0	6
13	SICHERUNGSHALTER / RETAINER / PORTE-FUSIBLE	6.644-275.0	1
14	ERSATZTEILSET / SPARE PARTS KIT / KIT DE PIECES	2.883-854.0	1
17	SICHERUNGSHALTER / RETAINER / PORTE-FUSIBLE	6.644-302.0	2
18	GEGENMUTTER PG21 / COUNTERNUT / CONTRE-ECROU	6.641-368.0	1
19	KABELVERSCHR. PG 21 / CABLE CONNECTOR / RACCORD DE CABLES	6.647-937.0	1
20	KABELVERSCHR. PG11 / CABLE CONNECTOR / RACCORD DE CABLES	6.641-357.0	1
21	GEGENMUTTER PG11 / COUNTERNUT / CONTRE-ECROU	6.641-367.0	1
22	KABELVERSCHR. PG 9 / CABLE CONNECTOR / RACCORD DE CABLES	6.641-355.0	1
23	GEGENMUTTER PG 9 / COUNTERNUT / CONTRE-ECROU	6.641-366.0	1
24	SCHEIBE B 6,4 / WASHER / RONDELLE	7.312-003.0	4
25	ZAHNSCHEIBE A 6,4 / LOCK WASHER / ROUE PLATE	7.312-167.0	2
26	SCHEIBE 5,3 / WASHER / RONDELLE	7.312-278.0	1
28	ZYL.SCHR. M 8X 12 / CHEESE HEAD SCREW / VIS A TETE CYLINDR.	7.306-119.0	3
29	HALTER / BRACKET / FIXATION	5.044-095.0	1
30	SCHRAUBE 5 X 16 / SCREW / VIS	7.303-104.0	1
31	ROHRSCHELLE / PIPE CLAMP / COLLIER D'ATTACHE	6.373-670.0	1
32	RELAIS 24 V / RELAY / RELAIS	6.633-235.0	1

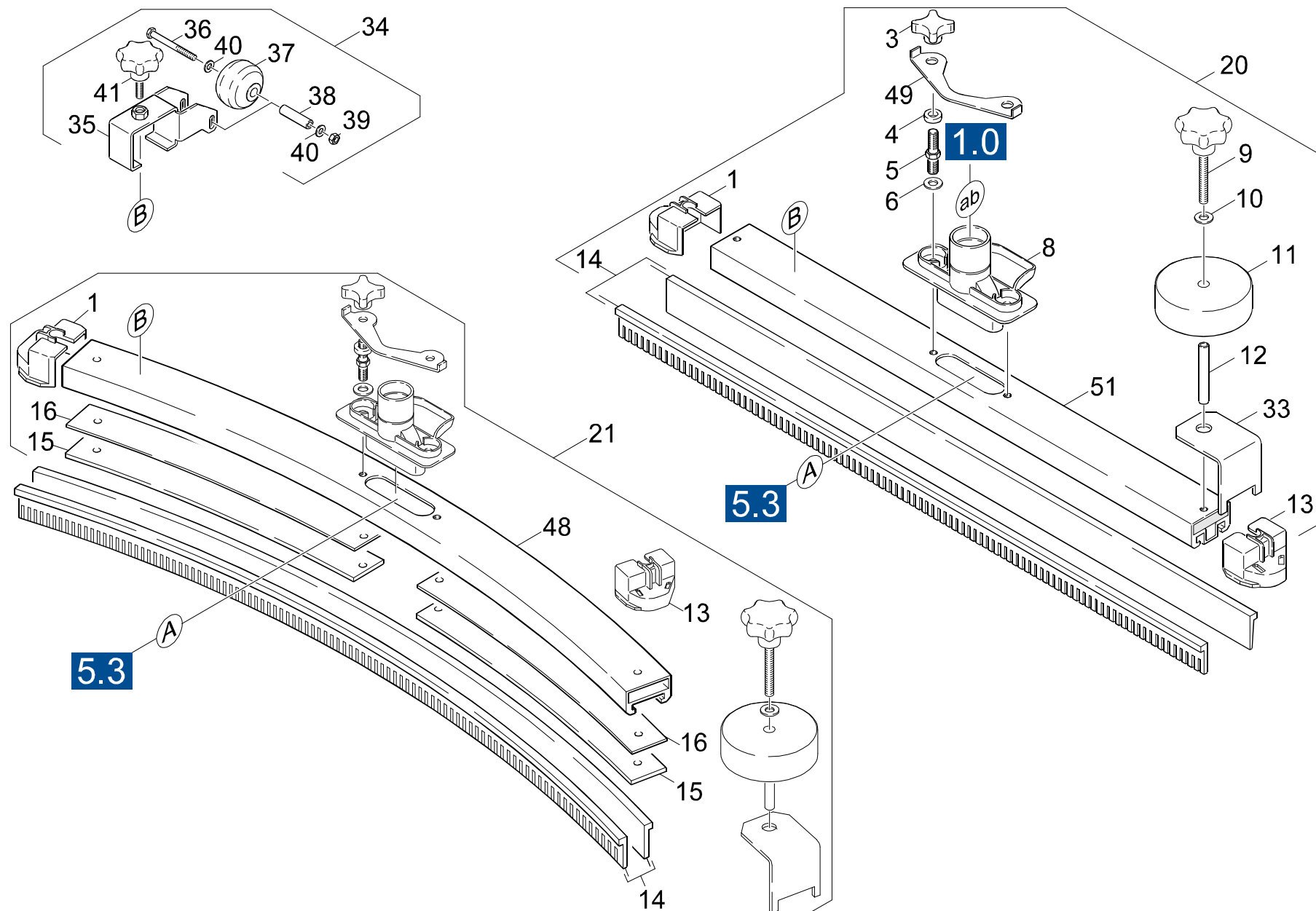
"=> xxxxxx" = bis Werknummer / up to serial No. / jusqu' au No. de fabr. / "xxxxxx =>" = ab Werknummer / from serial No. / a partir du No. de fabr. /

GRUPPE: 5.0 SAUGEINRICHTUNG
GROUP: 5.0 SUCTION PART
GRUPPE: 5.0 INSTALLATION D'ASPIRATION

GRUPPE: 5.1 SAUGBALKEN
GROUP: 5.1 SUCTION PART
GRUPPE: 5.1 INSTAL. D'ASPIRATION

B5

BR 530 BAT



Symbolbeschreibung siehe M16 / symbol description see M16 / désignation de système voir M16 /

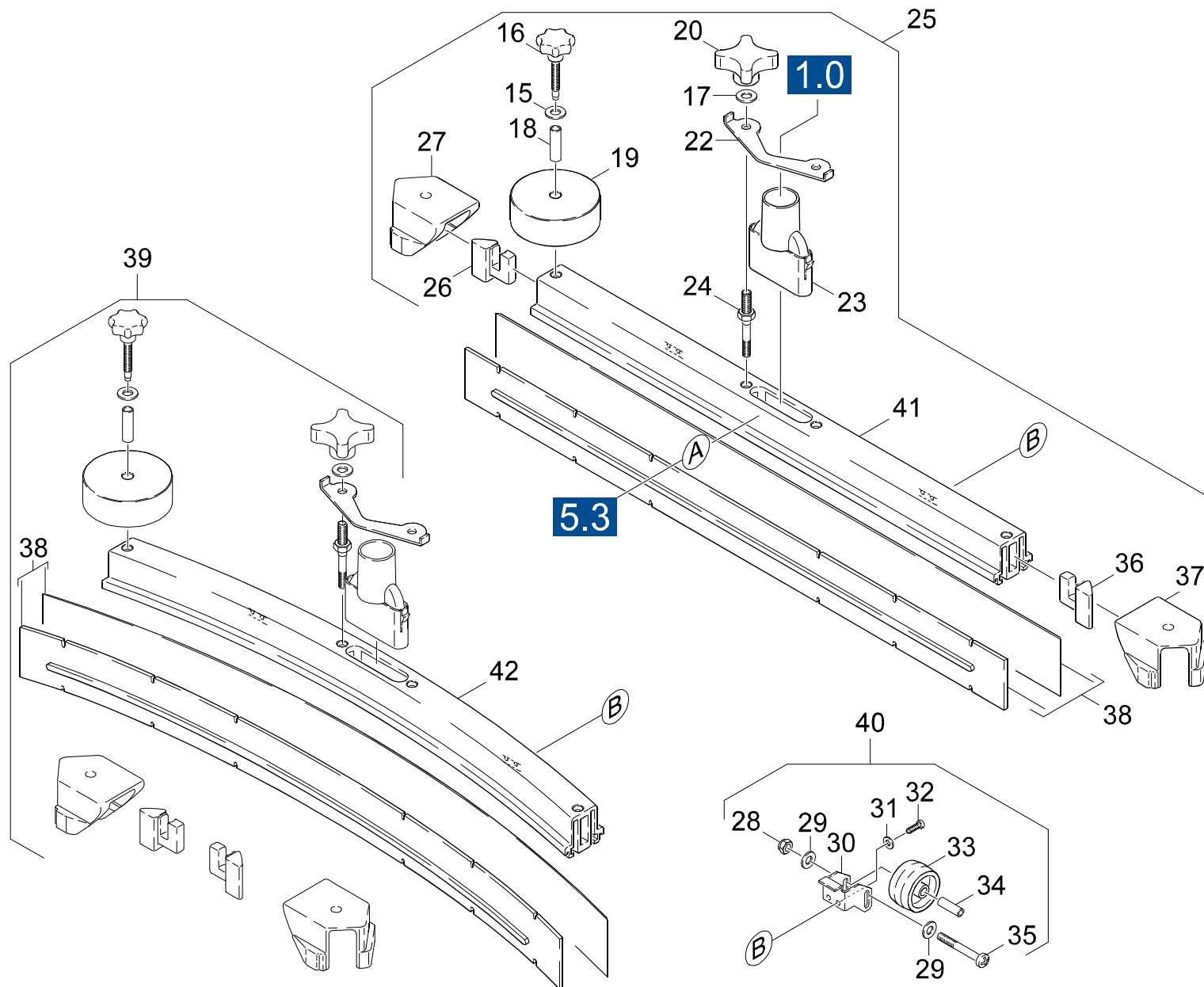
GRUPPE: 5.1 SAUGBALKEN
 GROUP: 5.1 SUCTION PART
 GROUPE: 5.1 INSTAL. D'ASPIRATION

C5

BR 530 BAT

POS. ITM. POS.	BENNENUNG DESCRIPTION DESIGNATION	TEILE-NR. PART-NO. NO.PIECE	STCK QTY. NBR.
1	ENDSTUECK RECHTS / TAIL PIECE / TRONCON	5.031-482.0	2
3	KREUZGRIFF / STAR HANDLE / POIGNEE EN ETOILE	6.321-133.0	2
4	SCHEIBE A 11 / WASHER / RONDELLE	7.312-080.0	2
5	GEWINDEBOLZEN / PIN / BOULON TARAUDE	5.308-057.0	2
6	SCHEIBE 8,4 / WASHER / RONDELLE	7.312-277.0	2
8	SAUGSTUTZEN / CONNECTING PIECE / TUBULURE D'ASPIRATION	5.031-464.0	1
9	STERNGRIFF M8X60 / CONTROL KNOB / POIGNEE-ETOILE	6.321-147.0	2
10	SCHEIBE B 8,4 / WASHER / RONDELLE	7.312-004.0	2
11	ROLLE / ROLLER / ROULETTE	5.515-096.0	2
12	ROHR / PIPE / TUYAU	5.029-496.0	2
13	ENDSTUECK LINKS / TAIL PIECE / TRONCON	5.031-465.0	1
14	GUMMILIPPENSET / RUBBER LIP SET / LEVRES CAOUTCHOUC	6.273-168.0	1
	OELFEST/OIL RESISTANT/RESISTANT # L'HUILE		
14	GUMMILIPPENSET / RUBBER LIP SET / LEVRES CAOUTCHOUC	6.273-185.0	1
	STANDARD/STANDARD/STANDARD		
15	EINLEGETEIL GEBOGEN / INSERT / PIECE D'INSERTION	5.401-236.0	2
16	EINLEGETEIL GEBOGEN / INSERT / PIECE D'INSERTION	5.401-235.0	2
20	SAUGBALKEN GERADE / SUCTION PART / INSTAL. D'ASPIRATION	4.777-027.0	1
21	SAUGBALKEN GEBOGEN / SUCTION PART / INSTAL. D'ASPIRATION	4.777-028.0	1
33	WINKEL / ANGLE / ANGLE	5.017-136.0	2
34	ABS ABSTUETZRAEDER / ADD-ON KIT / KIT PORTEE	2.639-561.0	2
35	HALTER LAUFROLLE / BRACKET / FIXATION	4.042-871.0	2
36	SCHRAUBE M 6X 50 / SCREW / VIS	7.306-199.0	2
37	RAD D.50 / WHEEL / ROUE	6.435-401.0	1
38	ACHSE / AXLE / ESSIEU	5.105-245.0	2
39	6KT-MUTTER M 6 / HEXAGON NUT / ECROU HEXAGONAL	7.311-422.0	2
40	SCHEIBE B 6,4 / WASHER / RONDELLE	7.312-026.0	4
41	GRIFF M6 X 20 / HANDLE / POIGNEE	6.321-069.0	2
48	PROFIL SAUGBALKEN / PROFILE / PROFILE	5.031-481.0	1
49	BLECH / PLATE / TOLE	5.007-217.0	1
51	PROFIL SAUGBALKEN / PROFILE / PROFILE	5.031-466.0	1

"=> xxxxxx" = bis Werknummer / up to serial No. / jusqu' au No. de fabr. / "xxxxxx =>" = ab Werknummer / from serial No. / a partir du No. de fabr. /



Symbolbeschreibung siehe M16 / symbol description see M16 / désignation de système voir M16 /

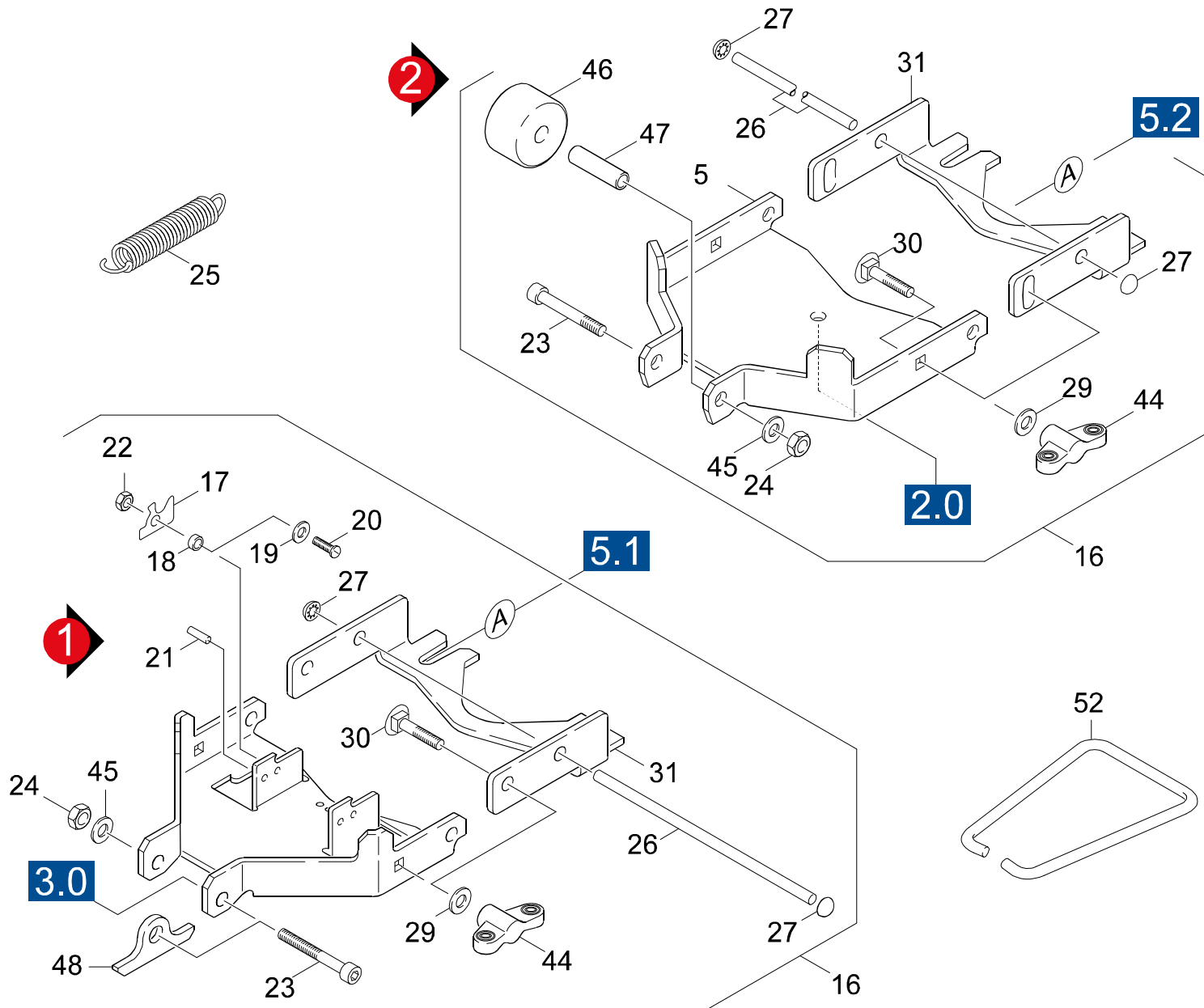
GRUPPE: 5.2 SAUGBALKEN
 GROUP: 5.2 SUCTION PART
 GROUPE: 5.2 INSTAL. D'ASPIRATION

E5

BR 530 BAT

POS. ITM. POS.	BENNENNUNG DESCRIPTION DESIGNATION	TEILE-NR. PART-NO. NO.PIECE	STCK QTY. NBR.	POS. ITM. POS.	BENNENNUNG DESCRIPTION DESIGNATION	TEILE-NR. PART-NO. NO.PIECE	STCK QTY. NBR.
15	SCHEIBE B 8,4 / WASHER / RONDELLE	7.312-004.0	3	30	HALTER LAUFROLLE / BRACKET / FIXATION	5.044-631.0	2
15	SCHEIBE A 8,4 / WASHER / RONDELLE	7.312-017.0	3		/ 1.127-332.0 / -432.0		
	EDELSTAHLAUSFUEHRUNG/STAINLESS STEEL CONSTRUCTION/CONSTRUCTION EN ACIER SPECIAL / 1.127-332.0 / -432.0			31	SCHEIBE B 5,3 / WASHER / RONDELLE	7.312-058.0	2
16	STERNGRIF M8X60 / CONTROL KNOB / POIGNEE-ETOILE	6.321-147.0	2	32	SCHRAUBE M 5X 10 / SCREW / VIS	7.303-037.0	2
16	STERNGRIF M8X60 / CONTROL KNOB / POIGNEE-ETOILE	6.321-170.0	2	33	RAD D.50 / WHEEL / ROUE	6.435-401.0	1
	EDELSTAHLAUSFUEHRUNG/STAINLESS STEEL CONSTRUCTION/CONSTRUCTION EN ACIER SPECIAL / 1.127-332.0 / -432.0			34	ACHSE / AXLE / ESSIEU	5.105-245.0	1
18	ROHR / PIPE / TUYAU	5.094-050.0	2	35	SCHRAUBE M 6X 50 / SCREW / VIS	7.306-199.0	1
18	ROHR / PIPE / TUYAU	5.094-099.0	2	36	ENDSTUECK / TAIL PIECE / TRONCON	5.031-992.0	1
	EDELSTAHLAUSFUEHRUNG/STAINLESS STEEL CONSTRUCTION/CONSTRUCTION EN ACIER SPECIAL / 1.127-332.0 / -432.0			37	ENDSTUECK LINKS / TAIL PIECE / TRONCON	5.031-990.0	1
19	ROLLE / ROLLER / ROULETTE	5.515-096.0	2	38	GUMMILIPPENSET / RUBBER LIP SET / LEVRES CAOUTCHOUC	6.273-204.0	1
20	KREUZGRIF M8X60 / STAR HANDLE / POIGNEE EN ETOILE	6.321-133.0	2		STANDARD/STANDARD/STANDARD		
22	BLECH / PLATE / TOLE	5.007-217.0	1	38	GUMMILIPPENSET / RUBBER LIP SET / LEVRES CAOUTCHOUC	6.273-207.0	1
22	WINKEL / ANGLE / ANGLE	5.017-619.0	1		OELFEST/OIL RESISTANT/RESISTANT # L'HUILE		
	EDELSTAHLAUSFUEHRUNG/STAINLESS STEEL CONSTRUCTION/CONSTRUCTION EN ACIER SPECIAL / 1.127-332.0 / -432.0			39	SAUGBALKEN GEBOGEN / SUCTION PART / INSTAL. D'ASPIRATION	4.777-054.0	1
23	SAUGSTUTZEN / CONNECTING PIECE / TUBULURE D'ASPIRATION	5.031-989.0	1	40	ABS ABSTUETZRAEDER / ADD-ON KIT / KIT PORTEE	2.639-561.0	2
24	GEWINDEBOLZEN / PIN / BOULON TARAUDE	5.308-064.0	1	41	PROFIL SAUGBALKEN / PROFILE / PROFILE	5.031-988.0	1
25	SAUGBALKEN GERADE / SUCTION PART / INSTAL. D'ASPIRATION	4.777-047.0	1	42	PROFIL SAUGBALKEN / PROFILE / PROFILE	5.128-238.0	1
25	SAUGBALKEN GERADE / SUCTION PART / INSTAL. D'ASPIRATION	4.777-062.0	1				
	EDELSTAHLAUSFUEHRUNG/STAINLESS STEEL CONSTRUCTION/CONSTRUCTION EN ACIER SPECIAL / 1.127-332.0 / -432.0						
26	ENDSTUECK / TAIL PIECE / TRONCON	5.031-993.0	1				
27	ENDSTUECK RECHTS / TAIL PIECE / TRONCON	5.031-991.0	1				
28	6KT-MUTTER M 6 / HEXAGON NUT / ECROU HEXAGONAL	7.311-422.0	1				
29	SCHEIBE B 6,4 / WASHER / RONDELLE	7.312-026.0	2				
30	HALTER LAUFROLLE / BRACKET / FIXATION	5.044-304.0	2				

"=> xxxxxx" = bis Werknummer / up to serial No. / jusqu' au No. de fabr. / "xxxxxx =>" = ab Werknummer / from serial No. / a partir du No. de fabr. /



Symbolbeschreibung siehe M16 / symbol description see M16 / désignation de système voir M16 /

GRUPPE: 5.3 HALTER SAUGBALKEN
 GROUP: 5.3 BRACKET
 GROUPE: 5.3 FIXATION

G5

BR 530 BAT

POS. ITM. POS.	BENNENNUNG DESCRIPTION DESIGNATION	TEILE-NR. PART-NO. NO.PIECE	STCK QTY. NBR.	POS. ITM. POS.	BENNENNUNG DESCRIPTION DESIGNATION	TEILE-NR. PART-NO. NO.PIECE	STCK QTY. NBR.
5	HALTER SAUGBALKEN / BRACKET / FIXATION 35012 =>	5.044-379.0	1	32	ZUSATZGEWICHT / SUPPLEMENTARY WEIGHT / POIDS SUPPLEMENTAIRE	5.031-498.0	1
5	HALTER SAUGBALKEN / BRACKET / FIXATION EDELSTAHLAUSFUEHRUNG/STAINLESS STEEL CONSTRUCTION/CONSTRUCTION EN ACIER SPECIAL / 1.127-332.0 / -432.0	5.044-621.0	1	44	FLUEGELMUTTER M 6 / WING NUT / ECROU A OREILLES 35012 =>	6.310-129.0	2
16	SAUGBALKEN AUFHAENG / SUCTION PART / INSTAL. D'ASPIRATION / => 35011	4.777-033.0	1	45	SCHEIBE A 8,4 / WASHER / RONDELLE 35012 =>	7.312-017.0	1
17	FORMTEIL / MOULDED PART / PREFORME / => 35011	5.031-493.0	1	46	ROLLE / ROLLER / ROULETTE 35012 =>	5.435-004.0	1
18	HUELSE / SLEEVE / DOUILLE / => 35011	5.110-687.0	1	47	BUCHSE / BUSH / DOUILLE 35012 =>	5.112-633.0	1
19	SCHEIBE A 4,3 / WASHER / RONDELLE / => 35011	7.312-067.0	1	48	FORMTEIL / MOULDED PART / PREFORME / => 35011	5.031-834.0	1
20	SCHRAUBE M 4X 10 / SCREW / VIS	7.306-206.0	1	52	BUEGEL / STRAP / ETRIER	5.034-546.0	1
21	SPANNSTIFT 4,0X 14 / PIN / GOUPILLE DE SERRAGE / => 35011	7.314-949.0	1				
22	6KT-MUTTER M 4 / HEXAGON NUT / ECROU HEXAGONAL / => 35011	7.311-064.0	1				
23	6KT-SCHR. M 8X 70 / HEXAGONAL HEAD SCREW / VIS HEXAGONAL EDELSTAHLAUSFUEHRUNG/STAINLESS STEEL CONSTRUCTION/CONSTRUCTION EN ACIER SPECIAL / 1.127-332.0 / -432.0	7.304-264.0	1				
23	ZYL.SCHR. M 8X 65 / CHEESE HEAD SCREW / VIS A TETE CYLINDR.	7.306-151.0	1				
24	6KT-MUTTER M 8 / HEXAGON NUT / ECROU HEXAGONAL	7.311-427.0	1				
25	ZUGFEDER / EXTENSION SPRING / RESSORT DE TRACTION	6.330-011.0	1				
26	STANGE / BAR / TIGE	5.107-202.0	1				
27	SICHERUNGSSCHEIBE 8 / LOCK WASHER / RONDELLE D'ARRET	6.343-132.0	2				
29	SCHEIBE B 6,4 / WASHER / RONDELLE	7.312-003.0	2				
30	FL.RD.SCHR. M 6X 20 / SAUCER-HEAD SCREW / BOULON A TETE BOMBEE	7.303-139.0	2				
31	WIPPE SAUGBALKEN / ROCKER / BASCULE	5.048-234.0	1				
31	WIPPE SAUGBALKEN / ROCKER / BASCULE EDELSTAHLAUSFUEHRUNG/STAINLESS STEEL CONSTRUCTION/CONSTRUCTION EN ACIER SPECIAL / 1.127-332.0 / -432.0	5.059-867.0	1				

"=> xxxxxx" = bis Werknummer / up to serial No. / jusqu' au No. de fabr. / "xxxxxx =>" = ab Werknummer / from serial No. / a partir du No. de fabr. /

GRUPPE: 6.0 BODENKOPF BR
GROUP: 6.0 POWER BRUSH
GROUPE: 6.0 BROSSE

A6

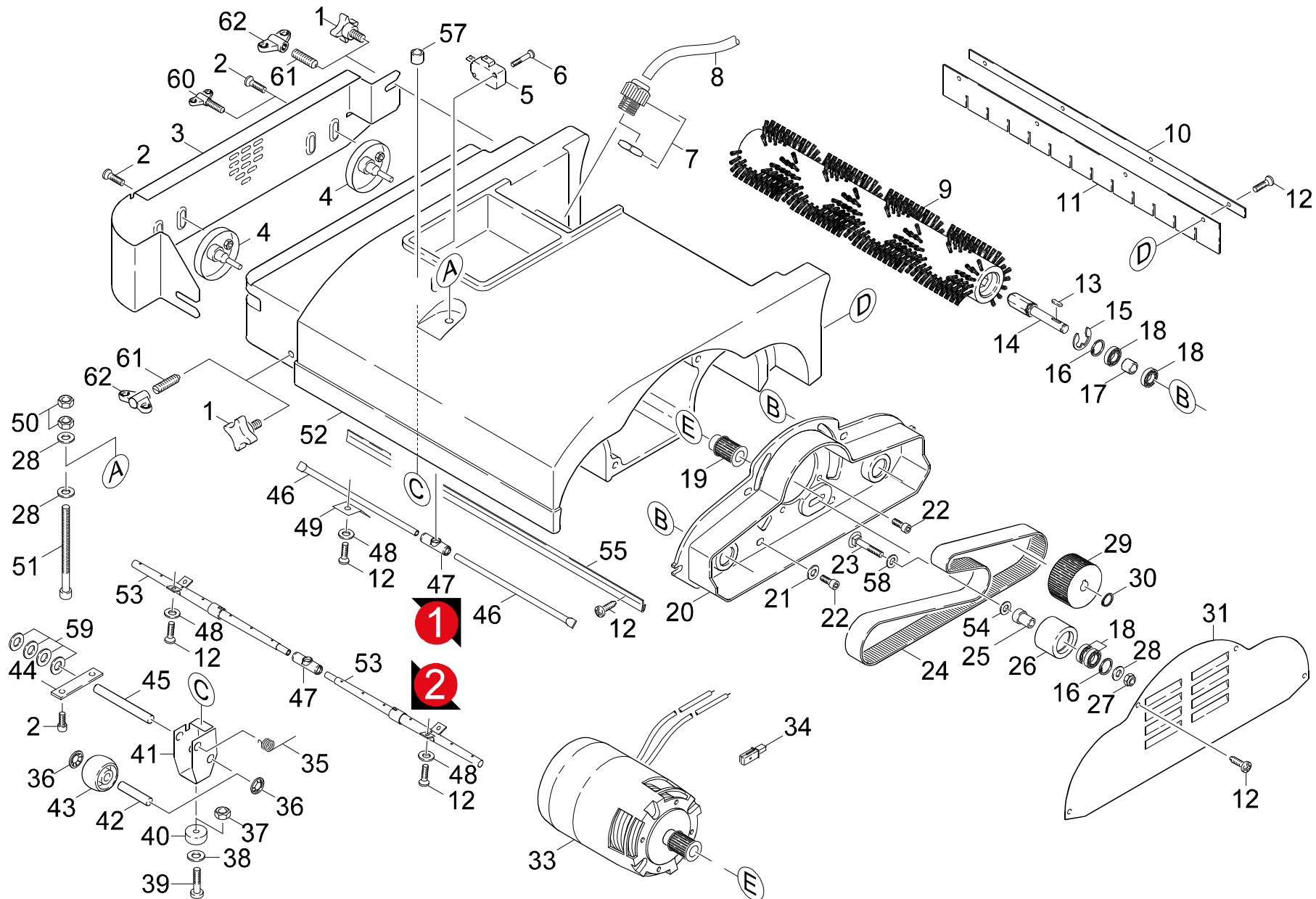
BR 530 B

GRUPPE: 6.0 BODENKOPF BR
GROUP: 6.0 POWER BRUSH
GROUPE: 6.0 BROSSE

GRUPPE: 6.0 BODENKOPF BR
GROUP: 6.0 POWER BRUSH
GRUPPE: 6.0 BROSSE

B6

BR 530 BAT



Symbolbeschreibung siehe M16 / symbol description see M16 / désignation de système voir M16 /

GRUPPE: 6.0 BODENKOPF BR
 GROUP: 6.0 POWER BRUSH
 GROUPE: 6.0 BROSSE

C6

BR 530 BAT

POS. ITM. POS.	BENNENNUNG DESCRIPTION DESIGNATION	TEILE-NR. PART-NO. NO.PIECE	STCK QTY. NBR.	POS. ITM. POS.	BENNENNUNG DESCRIPTION DESIGNATION	TEILE-NR. PART-NO. NO.PIECE	STCK QTY. NBR.
1	KREUZGRIFF M8X16 / STAR HANDLE / POIGNEE EN ETOILE	6.321-054.0	2	10	BLECH / PLATE / TOLE	5.003-984.0	1
2	SCHRAUBE M 6X 10 / SCREW / VIS	7.306-191.0	6		/ 1.127-231.0 / -261.0 / -431.0 / -461.0 / -881.0		
	STUECKZAHL NACH BEDARF/QUANTITY ACCORDING TO DEMAND/NOMBRE DE PIECES AU BESOIN			11	LEISTE / STRIP / BAGUETTE	5.190-057.0	1
	/ 1.127-131.0 / -161.0 / -231.0 / -261.0 / -331.0 / -431.0 / -461.0				/ 1.127-131.0 / -161.0 / -331.0 / -361.0 / -681.0		
3	GEGENHALTER / COUNTER HOLDER / LUNETTE (CONTRE-BUT.)	5.044-076.0	1	11	LEISTE XL / STRIP / BAGUETTE	5.190-093.0	1
4	BLECHTEIL / PLATE / TOLE	4.038-493.0	2		/ 1.127-231.0 / -261.0 / -431.0 / -461.0 / -881.0		
7	KABELVERS. M 20X1.5 / CABLE CONNECTOR / RACCORD DE CABLES	6.647-714.0	1	12	SCHRAUBE 5 X 16 / SCREW / VIS	7.303-104.0	14
8	ISOLIERSCHLAUCH 10 / INSULATING HOSE / TUYAU ISOLANT	6.642-011.0	1	13	PASSFEDER 4X 4X 16 / SPRING / RESSORT D'ADJUSTAGE	7.318-007.0	2
9	WALZENBUERSTE WEISS / BRUSH ROLL / BROSSE CYL. WEISS (STANDARD)/WHITE (STANDARD)/BLANC (STANDARD)	5.762-169.0	2	13	PASSFEDER 4X4X16 / SPRING / RESSORT D'ADJUSTAGE	7.318-095.0	2
	/ 1.127-131.0 / -161.0 / -331.0 / -361.0 / -681.0				EDELSTAHLAUSFUEHRUNG/STAINLESS STEEL CONSTRUCTION/CONSTRUCTION EN ACIER SPECIAL		
9	WALZENBUERSTE ROT / BRUSH ROLL / BROSSE CYL. ROT/RED/ROUGE	5.762-170.0	2		/ 1.127-332.0 / -432.0		
	/ 1.127-131.0 / -161.0 / -331.0 / -361.0 / -681.0			14	ANTRIEBSWELLE / DRIVE SHAFT / ARBRE D'ENTRAINEMENT	5.100-191.0	2
9	BUERSTENW. GRAU 0,6 / BUERSTENW. GRAU 0,6 / BUERSTENW. GRAU 0,6 GRAU/GREY/GRIS	5.762-171.0	2	15	S-SCHEIBE 15 / LOCK WASHER / RONDELLE D'ARRET	7.343-304.0	2
	/ 1.127-131.0 / -161.0 / -331.0 / -361.0 / -681.0			16	S-RING 28X1,2 / SPRING CLIP / CIRCLIP	7.343-151.0	3
9	WALZENBUERSTE SCHW / BRUSH ROLL / BROSSE CYL. SCHWARZ/BLACK/NOIR	5.762-172.0	2	17	HUELSE / SLEEVE / DOUILLE	5.110-322.0	2
	/ 1.127-131.0 / -161.0 / -331.0 / -361.0 / -681.0			18	KUGELLAGER 6001-2RS / BALL BEARING / ROULEMENT A BILLE	7.401-111.0	6
9	WALZENBUERSTE WEISS / BRUSH ROLL / BROSSE CYL. WEISS (STANDARD)/WHITE (STANDARD)/BLANC (STANDARD)	5.762-208.0	2	19	RIEMENSCHLEIBE 24Z / PULLEY / POULIE	5.625-316.0	1
	/ 1.127-231.0 / -261.0 / -431.0 / -461.0 / -881.0			19	RIEMENSCHLEIBE 24Z / PULLEY / POULIE	5.625-416.0	1
9	WALZENBUERSTE ROT / BRUSH ROLL / BROSSE CYL. ROT/RED/ROUGE	5.762-209.0	2		EDELSTAHLAUSFUEHRUNG/STAINLESS STEEL CONSTRUCTION/CONSTRUCTION EN ACIER SPECIAL		
	/ 1.127-231.0 / -261.0 / -431.0 / -461.0 / -881.0				/ 1.127-332.0 / -432.0		
9	BUERSTENW. GRAU 0,6 / BUERSTENW. GRAU 0,6 / BUERSTENW. GRAU 0,6 GRAU/GREY/GRIS	5.762-210.0	2	20	HALTEPLATTE ANTRIEB / PLATE / PLAQUE	5.044-075.0	1
	/ 1.127-231.0 / -261.0 / -431.0 / -461.0 / -881.0			21	SCHEIBE 6,4 / WASHER / RONDELLE	7.312-292.0	6
9	WALZENBUERSTE SCHW. / BRUSH ROLL / BROSSE CYL. SCHWARZ/BLACK/NOIR	5.762-211.0	2	22	SCHRAUBE M 6X 16 / SCREW / VIS	7.306-031.0	10
	/ 1.127-231.0 / -261.0 / -431.0 / -461.0 / -881.0			23	FL.RD.SCHR. M 8X 40 / SAUCER-HEAD SCREW / BOULON A TETE BOMBEE	7.303-180.0	1
10	BLECH / PLATE / TOLE	5.003-196.0	1		EDELSTAHLAUSFUEHRUNG/STAINLESS STEEL CONSTRUCTION/CONSTRUCTION EN ACIER SPECIAL		
	/ 1.127-131.0 / -161.0 / -331.0 / -361.0 / -681.0				/ 1.127-332.0 / -432.0		
				23	FL.RD.SCHR. M 8X 40 / SAUCER-HEAD SCREW / BOULON A TETE BOMBEE	7.303-186.0	1
				25	HUELSE / SLEEVE / DOUILLE	5.110-678.0	1
				25	HUELSE / SLEEVE / DOUILLE	5.110-919.0	1
					EDELSTAHLAUSFUEHRUNG/STAINLESS STEEL CONSTRUCTION/CONSTRUCTION EN ACIER SPECIAL		
					/ 1.127-332.0 / -432.0		
				26	LAUFROLLE / ROLLER / GALET DE ROULEMENT	5.401-227.0	1
				27	6KT-MUTTER M 8 / HEXAGON NUT / ECROU HEXAGONAL	7.311-427.0	1

"=> xxxxxx" = bis Werknummer / up to serial No. / jusqu' au No. de fabr. / "xxxxxx =>" = ab Werknummer / from serial No. / a partir du No. de fabr. /

GRUPPE: 6.0 BODENKOPF BR
 GROUP: 6.0 POWER BRUSH
 GROUPE: 6.0 BROSSE

D6

BR 530 BAT

POS. ITM. POS.	BENNENNUNG DESCRIPTION DESIGNATION	TEILE-NR. PART-NO. NO.PIECE	STCK QTY. NBR.	POS. ITM. POS.	BENNENNUNG DESCRIPTION DESIGNATION	TEILE-NR. PART-NO. NO.PIECE	STCK QTY. NBR.
27	6KT-MUTTER M 8 / HEXAGON NUT / ECROU HEXAGONAL EDELSTAHLAUSFUEHRUNG/STAINLESS STEEL CONSTRUCTION/CONSTRUCTION EN ACIER SPECIAL / 1.127-332.0 / -432.0	7.311-432.0	1	52	BUERSTENGEHAEUSE / BRUSH HOUSING / CARTER DE BROSSE / 1.127-131.0 / -161.0 / -331.0 / -361.0 / -681.0	5.060-666.0	1
28	SCHEIBE A 8,4 / WASHER / RONDELLE	7.312-017.0	3	52	BUERSTENGEHAEUSE / BRUSH HOUSING / CARTER DE BROSSE / 1.127-231.0 / -261.0 / -431.0 / -461.0 / -881.0	5.060-691.0	1
29	RIEMENSCHLEIBE 59Z / PULLEY / POULIE	5.625-317.0	2	53	WASSERROHR / PIPE / TUBE / 1.127-231.0 / -261.0 / -431.0 / -461.0 / -881.0	5.029-317.0	2
29	RIEMENSCHLEIBE 59Z / PULLEY / POULIE EDELSTAHLAUSFUEHRUNG/STAINLESS STEEL CONSTRUCTION/CONSTRUCTION EN ACIER SPECIAL / 1.127-332.0 / -432.0	5.625-417.0	2	54	SCHEIBE 8,4 / WASHER / RONDELLE	7.312-289.0	1
30	S-RING 12X1 / SPRING CLIP / CIRCLIP	7.343-003.0	2	55	BLECHTEIL / PLATE / TOLE / 1.127-131.0 / -161.0 / -331.0 / -361.0 / -681.0	5.048-187.0	1
31	ABDECKPLATTE / COVER PLATE / PLAQUE RECOUVREMENT	5.003-959.0	1	55	BLECHTEIL / PLATE / TOLE / 1.127-231.0 / -261.0 / -431.0 / -461.0 / -881.0	5.048-362.0	1
31	ABDECKPLATTE / COVER PLATE / PLAQUE RECOUVREMENT EDELSTAHLAUSFUEHRUNG/STAINLESS STEEL CONSTRUCTION/CONSTRUCTION EN ACIER SPECIAL / 1.127-332.0 / -432.0	5.006-708.0	1	57	HUELSE 8X1 / SLEEVE / DOUILLE	6.347-093.0	1
33	MOTOR KPL. 24V / MOTOR / MOTEUR	4.623-428.0	1	59	SCHEIBE 10,5 / WASHER / RONDELLE	7.312-074.0	4
34	KOHLBUERSTEN SATZ / CARBON BRUSHES / BRUSHES	6.610-216.0	1	60	FL.SCHR. M 6X 10 / FLAT SCREW / VIS / 1.127-681.0 / -881.0	7.306-005.0	4
35	BIEGEFEDER / SPIRAL SPRING / RESSORT SPIRAL	5.335-035.0	1	61	GEW.STIFT M 8X 30 / THREADED PIN / VIS SANS TETE	7.307-356.0	2
36	SCHNELLBEFESTIGER / QUICK-FASTENER / ATTACHE RAPIDE	6.343-149.0	2	62	FLUEGELMUTTER M 8 / WING NUT / ECROU A OREILLES	6.310-128.0	2
37	6KT-MUTTER M 6 / HEXAGON NUT / ECROU HEXAGONAL	7.311-422.0	1				
38	SCHEIBE 8,4 / WASHER / RONDELLE	7.312-073.0	1				
39	SCHRAUBE M 6X 16 / SCREW / VIS	7.306-193.0	1				
40	STANDFUSS / STAND FOOT / PIED	5.031-519.0	1				
41	STAENDER / STAND / MONTANTS	5.052-043.0	1				
42	ACHSE RAD / AXLE / ESSIEU	5.105-266.0	1				
43	ROLLE / ROLLER / ROULETTE	5.435-004.0	1				
44	LASCHE / RETAINER CLIP / ECLISSE	5.004-835.0	2				
45	ACHSE / AXLE / ESSIEU	5.105-260.0	1				
46	WASSERROHR / PIPE / TUBE / 1.127-131.0 / -161.0 / -331.0 / -361.0 / -681.0	5.029-386.0	2				
47	ROHRANSCHLUSS / PIPE CONNECTION / RACCORD DE TUYAU	5.431-005.0	1				
48	SCHEIBE 5,3 / WASHER / RONDELLE	7.312-282.0	4				
49	HALTER / BRACKET / FIXATION	5.042-929.0	1				
50	6KT-MUTTER M 8 / HEXAGON NUT / ECROU HEXAGONAL	7.311-068.0	3				
51	6KT-SCHR. M 8X100 / HEXAGONAL HEAD SCREW / VIS HEXAGONAL	7.304-033.0	1				

"=> xxxxxx" = bis Werknummer / up to serial No. / jusqu' au No. de fabr. / "xxxxxx =>" = ab Werknummer / from serial No. / a partir du No. de fabr. /

GRUPPE: 7.0 ZUBEHOER PAD-WALZE
GROUP: 7.0 ACCESSORIES
GRUPPE: 7.0 ACCESSOIRES

A7

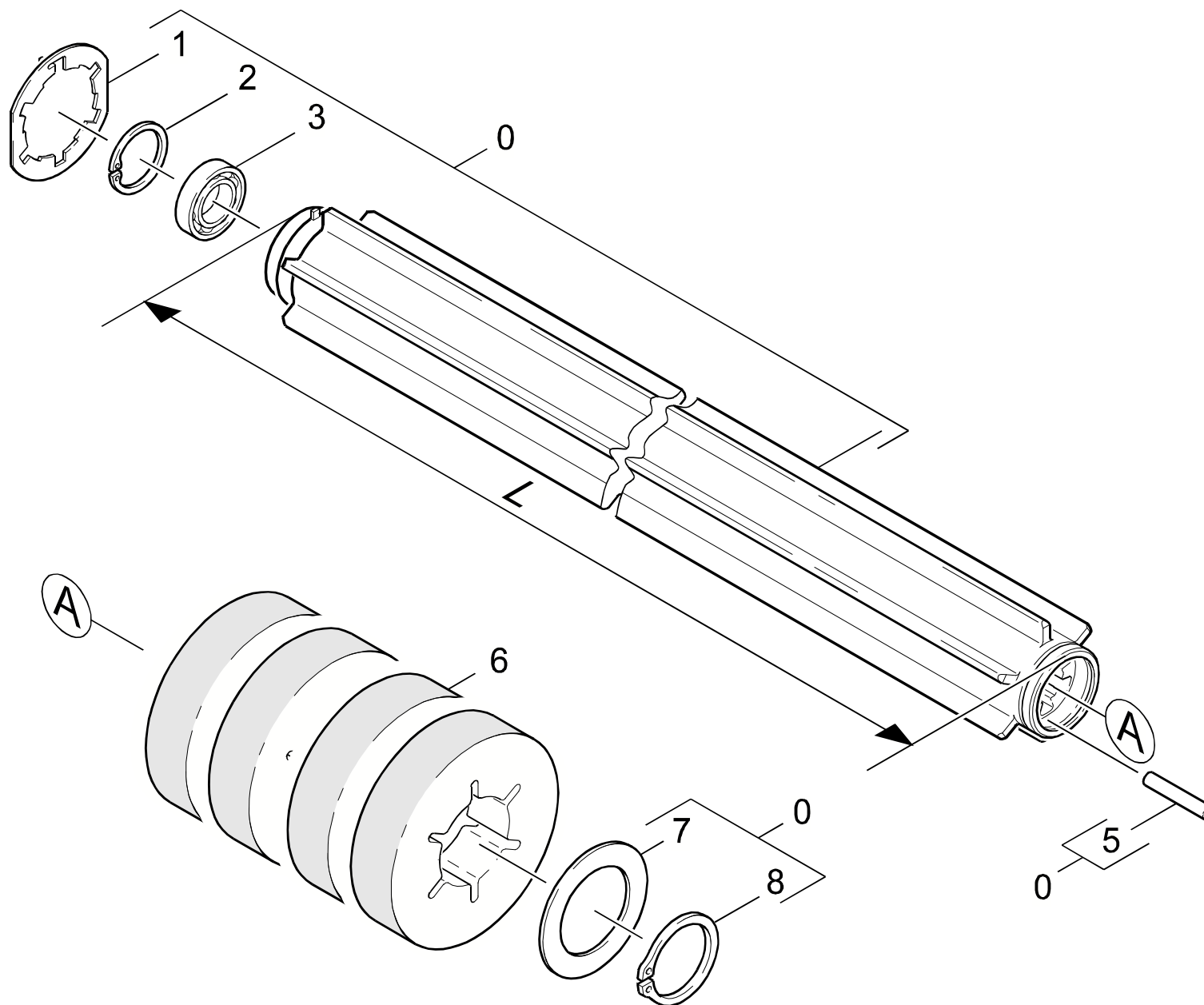
BR 530 B

GRUPPE: 7.0 ZUBEHOER PAD-WALZE
GROUP: 7.0 ACCESSORIES
GRUPPE: 7.0 ACCESSOIRES

GRUPPE: 7.0 ZUBEHOER PAD-WALZE
GROUP: 7.0 ACCESSORIES
GRUPPE: 7.0 ACCESSOIRES

B7

BR 530 BAT



Symbolbeschreibung siehe M16 / symbol description see M16 / désignation de système voir M16 /

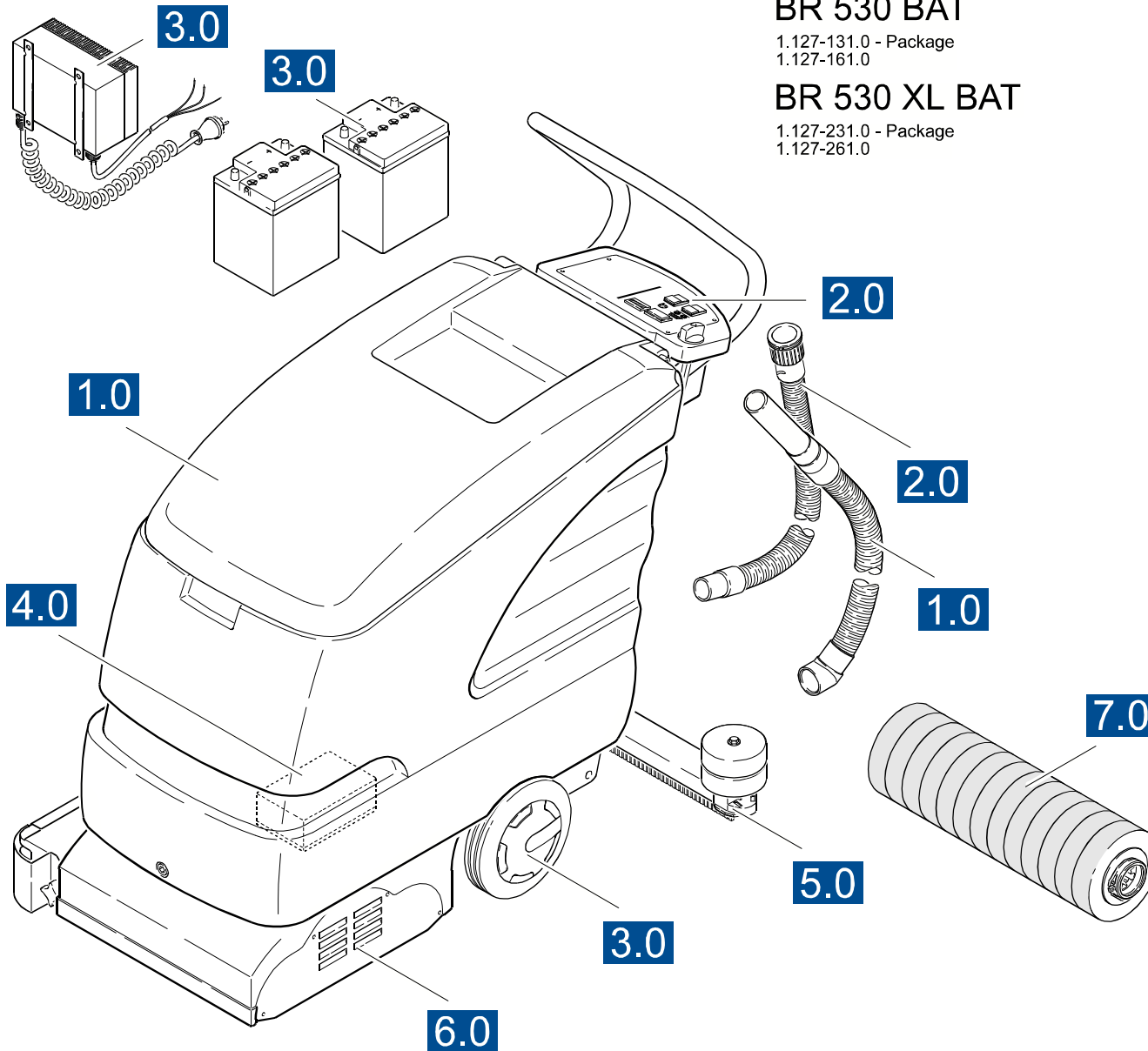
GRUPPE: 7.0 ZUBEHOER PAD-WALZE
GROUP: 7.0 ACCESSORIES
GROUPE: 7.0 ACCESSOIRES

C7

BR 530 BAT

POS. ITM. POS.	BENNENUNG DESCRIPTION DESIGNATION	TEILE-NR. PART-NO. NO.PIECE	STCK QTY. NBR.
0	WALZE PAD / REVERSING ROLLING MILL / TAMBOUR L = 460 MM / 1.127-131.0 / -161.0 / -331.0 / -361.0 / -681.0	4.762-184.0	1
0	WALZE PAD / REVERSING ROLLING MILL / TAMBOUR L = 533 MM / 1.127-231.0 / -261.0 / -431.0 / -461.0 / -881.0	4.762-214.0	1
1	SCHEIBE VERSCHLUSS / WASHER / RONDELLE	5.115-727.0	1
2	S-RING 32X 1,2 / SPRING CLIP / CIRCLIP	7.343-046.0	1
3	KUGELLAGER 6201-2RS / BALL BEARING / ROULEMENT A BILLE	7.401-169.0	1
5	SPANNSTIFT 6,0X 35 / PIN / GOUPILLE DE SERRAGE ALT/OLD/AGE	7.314-935.0	1
6	PAD-WEISS-96-20ST / PAD-WHITE-96-20PCS / TAMPON-BLANC-96-QTE-20	6.369-388.0	1
6	PAD-GELB-96-20ST / PAD YELLOW 96 20QTY / TAMPON JANUE 96 QTE 20	6.369-451.0	1
6	PAD-GRUEN-96-20ST / PAD GREEN 96 20QTY / TAMPON VERT 96 QTE 20	6.369-452.0	1
6	PAD-ROT-96-20ST / PAD RED 96 20PCS / TAMPON ROUGE 96 QTE 20	6.369-453.0	1
7	RONDE / RONDE / FLAN CIRCULAIRE	5.005-266.0	1
8	S-RING 40X1,75 / SPRING CLIP / CIRCLIP	7.343-030.0	1

"=> xxxxxx" = bis Werknummer / up to serial No. / jusqu' au No. de fabr. / "xxxxxx =>" = ab Werknummer / from serial No. / a partir du No. de fabr. /



BR 530 BAT

1.127-131.0 - Package
1.127-161.0

BR 530 XL BAT

1.127-231.0 - Package
1.127-261.0

Bestellhinweis

Bei Ihrer Bestellung sind unbedingt anzugeben :

- | | | | | |
|--|--|---|------------------------------------|------------------------------------|
| 1. | 2. | 3. | 4. | 5. |
| Gerätetyp
Machine model
Type d'appareils | Herstell-Nr.
Serial-No.
No. de série | Benennung
Description
Désignation | Teile-Nr.
Part No.
Référence | Stückzahl
Piece No.
Quantité |



**siehe Typenschild
see name-plate
voir plaque signalétique**



**siehe Ersatzteilliste
see spare parts list
voir liste des pièces de rechange**

- Die Ersatzteile, welche als Meterware geliefert werden, sind auf Einbaulänge selbst zu kürzen. Ebenso sind die Stückzahlen in den jeweiligen Gruppen als Mindestbestellmengen = 1m angegeben und können je nach Bedarf auf weitere volle Meterzahlen erhöht und bestellt werden.
- Spare Parts which are delivered as cut goods have to be shortened to installation length. The quotation of quantity in each group refers to the minimum order quantity = 1m and may be ordered and raised to further full metre-values according to demand
- Les pièces de rechange qui sont livrées comme marchandise au mètre sont à raccourcir selon la longueur d'installation. Les indications de quantité dans chaque group se réfèrent à des valeurs de mètre de plus.
- Diese Ersatzteilliste erscheint in gedruckter Form sowie als Mikrofiche. Bei Querverweisen bezieht sich die Angabe "Seitenzahl" auf die gedruckte Ersatzteilliste und die Angabe "Bildtafel" auf die Mikrofichenausgabe.
- This spare parts list is published both in printed form and as a microfiche. In the cross-references, "page number" refers to the printed spare parts list and "display table" to the microfilm edition.
- Cette liste de pièces de rechange est aussi bien imprimée que publiée sous forme de microfiche. Les indications transversales renvoient au "numéro de page" sur la liste imprimée des pièces de rechange et à la "planche" sur la microfiche.

Bitte beachten Sie, daß der Teileumfang dieser Ersatzteilliste nicht unbedingt dem Lieferumfang Ihres Gerätes entspricht.

For your information: It could be that certain parts quoted in this spare parts list were not included with the machine delivery.

Pour votre information: il se peut que certaines pièces détachées mentionnées sur la liste ne vous aient pas été livrées avec l'appareil.

Die in dieser Ersatzteilliste nicht aufgeführten Einzelteile, bestellen Sie bitte direkt beim Vertragskundendienst des jeweiligen Herstellers.

Please order the individual parts not included in this assembly directly with the contract aftersales service of the manufacturer in question.

Veillez s'il vous plaît, commander les pièces détachées qui ne sont indiquées dans notre liste des pièces détachées, directement auprès du service après-vente des fabricants en question.

Bei Bestellung von lackierten Teilen, welche in der Ersatzteilliste nicht in verschiedenen Farben ausgewiesen sind, ist zusätzlich die Farbnummer oder Farbe mit anzugeben. Diese finden Sie auf dem Typenschild oder Farbschild Ihres Gerätes.

Upon ordering of varnished parts which are not mentioned in the spare parts list as parts with different colors, kindly additionally mention the number of the color. It can be seen on the type plate of the color plate of your machine.

Commandant des parts vernissés qui ne sont pas mentionnés comme parts avec une couleur différente dans la liste des pièces détachées, veuillez mentionner de plus le numéro de la couleur. Il se trouve sur la plaque signalétique ou la plaque de couleur de votre machine.

Auflistungen von Einzelteilen bei Ersatzteil - u. Pumpensets sind in der Reihe "16" einzusehen, bzw. direkt unter dem entsprechenden Set aufgelistet.

Listings of single parts upon spare parts kits and pump kits can be seen in row "16" or directly listed below the corresponding kit.
Des établissements des pièces détachées en ce qui concerne les kits des pièces de rechange et les kits de pompes, peuvent être vus à la ligne "16" ou ils sont répertoriés directement au-dessous du jeu correspondant.

Technische Änderungen im Rahmen der Weiterentwicklung sowie das Recht der ausschließlichen Auswertung unseres geistigen Eigentums behalten wir uns vor. Vervielfältigung und Nachdruck nur mit Genehmigung und Urheberhinweis möglich.

We reserve the right to make technical changes in the course of development work and the right to make exclusive use of our intellectual property. This spare parts list may be duplicated or reprinted only with our approval and with acknowledgement of our copyright.

Nous nous réservons le droit de toutes modifications techniques dans le cadre du perfectionnement des mises au point ainsi que le droit de la mise en valeur exclusive de notre propriété intellectuelle. Polycopie et reproduction exclusivement après accord et avec mention de l'auteur.

GRUPPE:	1.0 HAUBE UND MOTOR	A1-C1
GROUP:	1.0 COVER	
GRUPPE:	1.0 CAPOT	
GRUPPE:	2.0 GERAET-EINZELTEILE	A2-I2
GROUP:	2.0 APPLIANCE - PIECE PARTS	
GRUPPE:	2.0 USTENSILE-PIECES CONSTIT.	
GRUPPE:	3.0 FAHRGESTELL	A3-D3
GROUP:	3.0 CHASSIS	
GRUPPE:	3.0 CHASSIS	
GRUPPE:	4.0 SCHALKASTEN BAT	A4-C4
GROUP:	4.0 SWITCH BOX	
GRUPPE:	4.0 COFFRET ELECTRIQUE	
GRUPPE:	5.0 SAUGEINRICHTUNG	A5-G5
GROUP:	5.0 SUCTION PART	
GRUPPE:	5.0 INSTALLATION D'ASPIRATION	
GRUPPE:	6.0 BODENKOPF BR	A6-D6
GROUP:	6.0 POWER BRUSH	
GRUPPE:	6.0 BROSSE	
GRUPPE:	7.0 ZUBEHOER PAD-WALZE	A7-C7
GROUP:	7.0 ACCESSORIES	
GRUPPE:	7.0 ACCESSOIRES	



BEISPIEL: VERSION 1
 EXAMPLE: VERSION 1
 EXEMPLE: VERSION 1

3.0

BEISPIEL: SIEHE IN GRUPPE 3
 EXAMPLE: SEE IN GROUP 3
 EXEMPLE: VOIR EN GROUPE 3



WICHTIGER HINWEIS
 IMPORTANT REMARK
 REMARCAQUAGE IMPORTANT

GRUPPE 1-16 = MIKROFILM 1 GRUPPE 17-32 = MIKROFILM 2
 GROUP 1-16 = MICROFICHE 1 GROUP 17-32 = MICROFICHE 2
 GROUPE 1-16 = MICROFICHE 1 GROUPE 17-32 = MICROFICHE 2

BESTELLHINWEIS SIEHE M15
 EXAMPLE ORDER SEE M15
 EXEMPLE DE COMMANDE VOIR M15

VARIANTENÜBERSICHT SIEHE L16
 VARIANTS SURVEY SEE L16
 VUE D'ENSEMBLE DE VARIANTS VOIR L16