

**Ersatzteilliste  
Spare Parts List  
Liste des pièces de rechange**

# **BR 700**

- 1.990-121.0 BR 700 BAT**
- 1.990-141.0 BR 700 BAT -PACKAGE**
- 1.990-202.0 BR 700 BAT O.SAUGB.**
- 1.990-204.0 BR 700 BAT -PACKAGE**
- 1.990-205.0 BR 700 BAT TORN\*USA**

# Kopfzeile: grün



1.990-121.0	BR 700 BAT
1.990-141.0	BR 700 BAT -PACKAGE
1.990-202.0	BR 700 BAT O.SAUGB.
1.990-204.0	BR 700 BAT -PACKAGE
1.990-205.0	BR 700 BAT TORN*USA

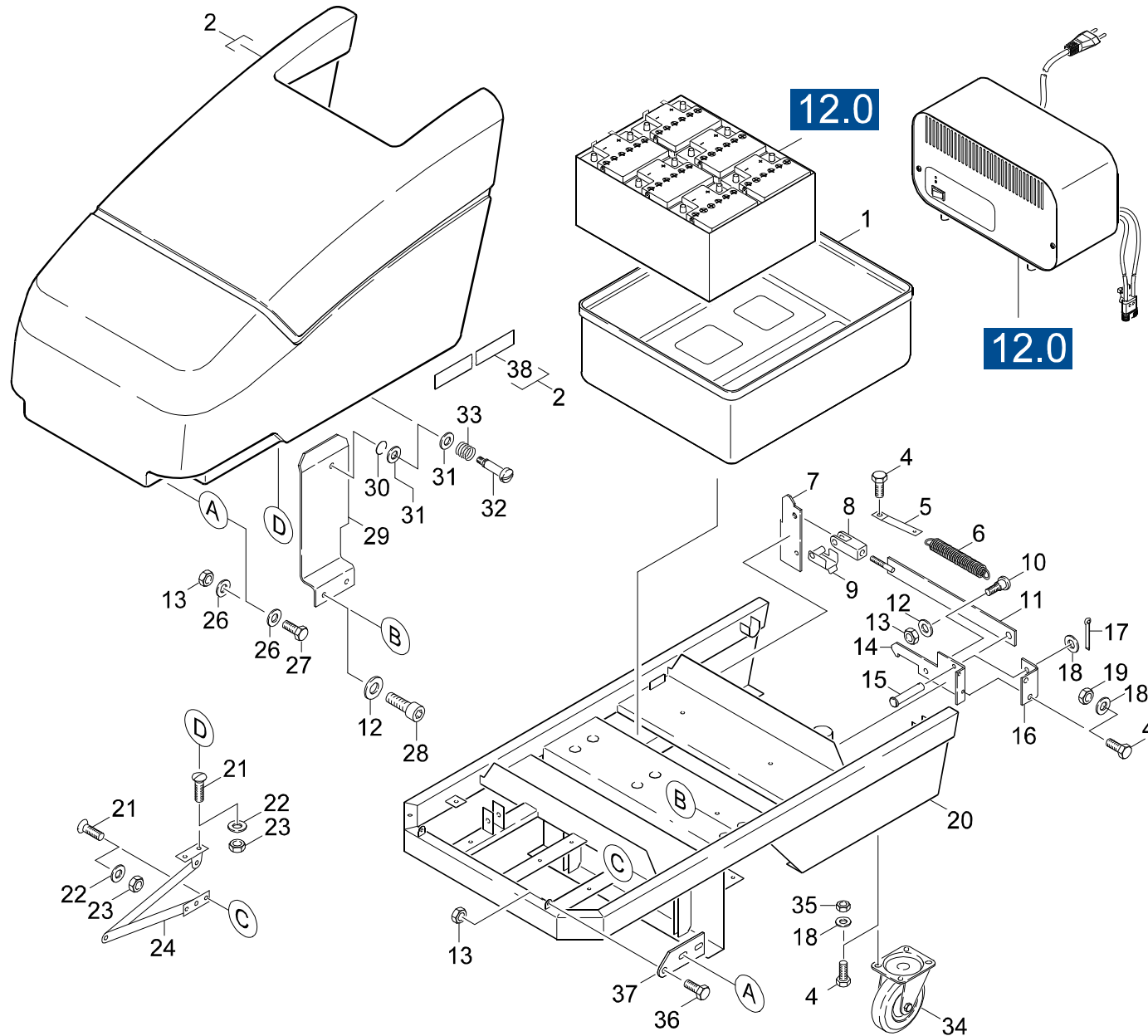
A2001133  
11 2001  
5.955-780.0

GRUPPE: 1.0 GERAET-OBERTEIL  
GROUP: 1.0 APPLIANCE TOP PART  
GRUPPE: 1.0 USTENSILE PARTIE SUPER.

**A1**

**BR 700**

**GRUPPE: 1.0 GERAET-OBERTEIL**  
**GROUP: 1.0 APPLIANCE TOP PART**  
**GRUPPE: 1.0 USTENSILE PARTIE SUPER.**



Symbolbeschreibung siehe M16 / symbol description see M16 / désignation de système voir M16 /

GRUPPE: 1.1 GERAET-OBERTEIL / BAT VERSION 1 /  
 GROUP: 1.1 APPLIANCE TOP PART / BAT VERSION 1 /  
 GROUPE: 1.1 USTENSILE PARTIE SUPER. / BAT VERSION 1 /

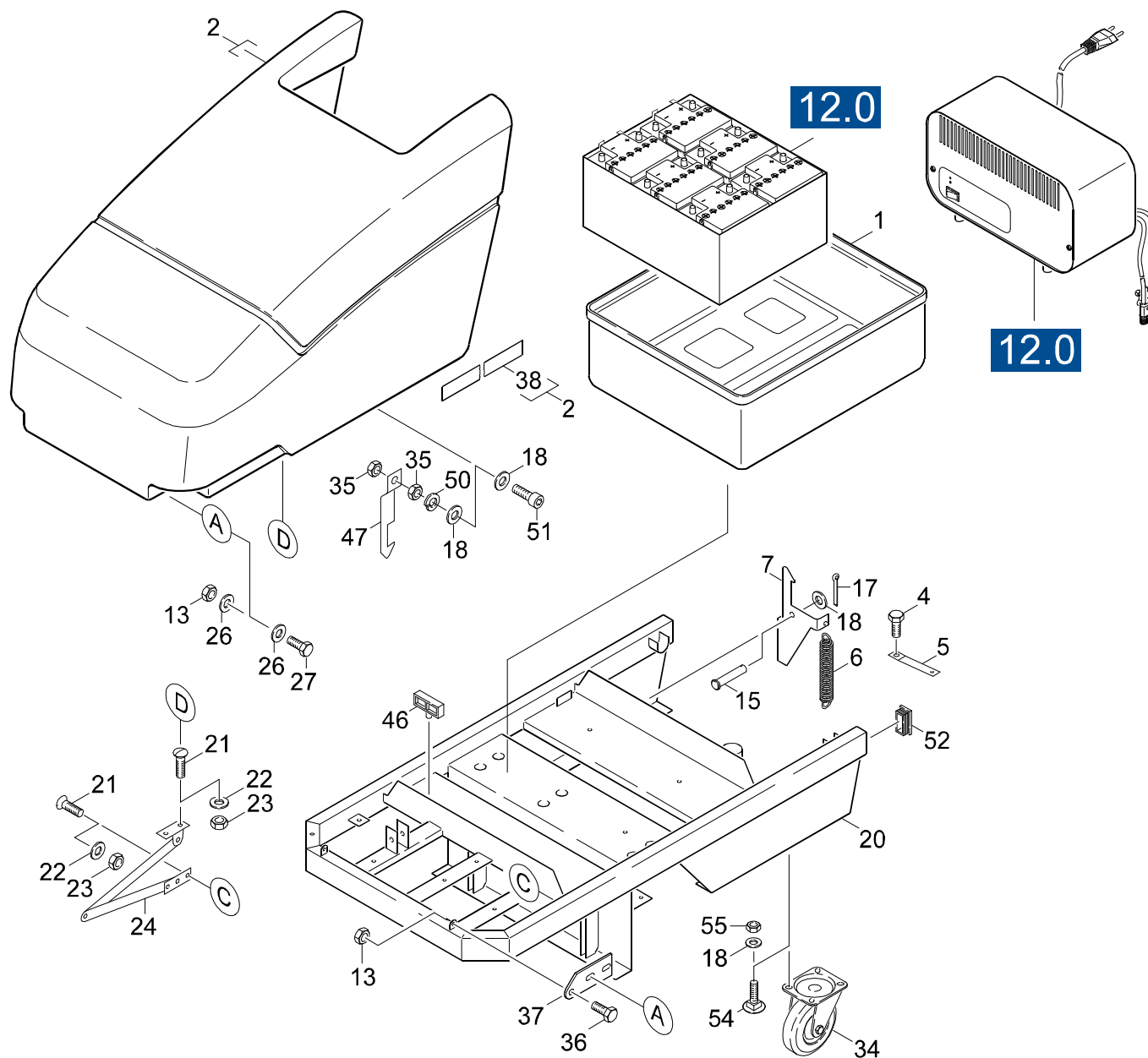
C1

BR 700

POS. ITM. POS.	BENNENNUNG DESCRIPTION DESIGNATION	TEILE-NR. PART-NO. NO.PIECE	STCK QTY. NBR.	POS. ITM. POS.	BENNENNUNG DESCRIPTION DESIGNATION	TEILE-NR. PART-NO. NO.PIECE	STCK QTY. NBR.
1	WANNE / TUB / CUVE	5.039-021.0	1	35	6KT-MUTTER M 8 / HEXAGON NUT / ECROU HEXAGONAL	7.311-004.0	10
2	HAUBE / COVER / CAPOT	5.066-807.0	1	36	SCHRAUBE M 6X 16 / SCREW / VIS	7.306-193.0	2
4	6KT-SCHR. M 8X 16 / HEXAGONAL HEAD SCREW / VIS HEXAGONAL	7.304-395.0	11	37	LASCHE / RETAINER CLIP / ECLISSE	5.004-685.0	2
5	LASCHE / RETAINER CLIP / ECLISSE	5.004-699.0	1	38	STREIFEN GELB / STRIP / BANDE	5.390-530.0	1
6	SCHRAUBENFEDER / HELICAL SPRING / RESSORT CYLINDRIQUE	5.332-075.0	1				
7	HEBEL / LEVER / LEVIER	5.481-168.0	1				
8	GABELKOPF G 6X24 / FORK HEAD / CHAPE	7.462-012.0	1				
9	BOLZEN / BOLT / BOULON	6.316-056.0	1				
10	SCHRAUBE M 6X 22 / SCREW / VIS	6.303-140.0	1				
11	STREBE / STAY / ENTRETOISE	4.055-041.0	1				
12	SCHEIBE B 6,4 / WASHER / RONDELLE	7.312-003.0	1				
13	6KT-MUTTER M 6 / HEXAGON NUT / ECROU HEXAGONAL	7.311-422.0	7				
14	HEBEL / LEVER / LEVIER	5.481-171.0	1				
15	BOLZEN B 8,0X 18 / BOLT / BOULON	7.316-224.0	1				
16	WINKEL / ANGLE / ANGLE	5.019-321.0	1				
17	SPLINT 2,0X 16 / COTTER / GOUPILLE FENDUE	7.316-336.0	1				
18	SCHEIBE B 8,4 / WASHER / RONDELLE	7.312-004.0	13				
19	6KT-MUTTER M 8 / HEXAGON NUT / ECROU HEXAGONAL	7.311-427.0	2				
20	GRUNDRAHMEN KPL. / BASE FRAME / CADRE	4.050-310.0	1				
21	SENKSCHR. M 4X 12 / FLAT HEADED SCREW / VIS A TETE CONIQUE	7.305-253.0	4				
22	SCHEIBE A 4,3 / WASHER / RONDELLE	7.312-001.0	4				
23	6KT-MUTTER M 4 / HEXAGON NUT / ECROU HEXAGONAL	7.311-001.0	4				
24	DECKELSCHERE / ELBOW BRACE / BEQUILLE DE CAPOT	6.372-069.0	1				
26	SCHEIBE 6,4 / WASHER / RONDELLE	7.312-276.0	4				
27	SCHRAUBE M 6X 20 / SCREW / VIS	7.306-092.0	2				
28	ZYL.SCHR. M 6X 16 / CHEESE HEAD SCREW / VIS A TETE CYLINDR.	6.303-135.0	2				
29	HALTER / BRACKET / FIXATION	5.042-901.0	1				
30	SPRENGRING A 8 / SPRING RING / CIRCLIP	7.343-484.0	1				
31	SCHEIBE 8 / WASHER / RONDELLE	7.312-155.0	2				
32	FORMSCHRAUBE / SCREW / VIS	5.305-241.0	1				
33	SCHRAUBENFEDER / HELICAL SPRING / RESSORT CYLINDRIQUE	5.332-076.0	1				
34	LENKROLLE / CASTOR / ROUE PIVOTANTE	6.435-338.0	2				
34	LENKROLLE D125 / CASTOR / ROUE PIVOTANTE	6.435-362.0	2				

**OELFEST/OIL RESISTANT/RESISTANT # L'HUILE**

"=> xxxxxx" = bis Werknummer / up to serial No. / jusqu' au No. de fabr. / "xxxxxx =>" = ab Werknummer / from serial No. / a partir du No. de fabr. /



Symbolbeschreibung siehe M16 / symbol description see M16 / désignation de système voir M16 /

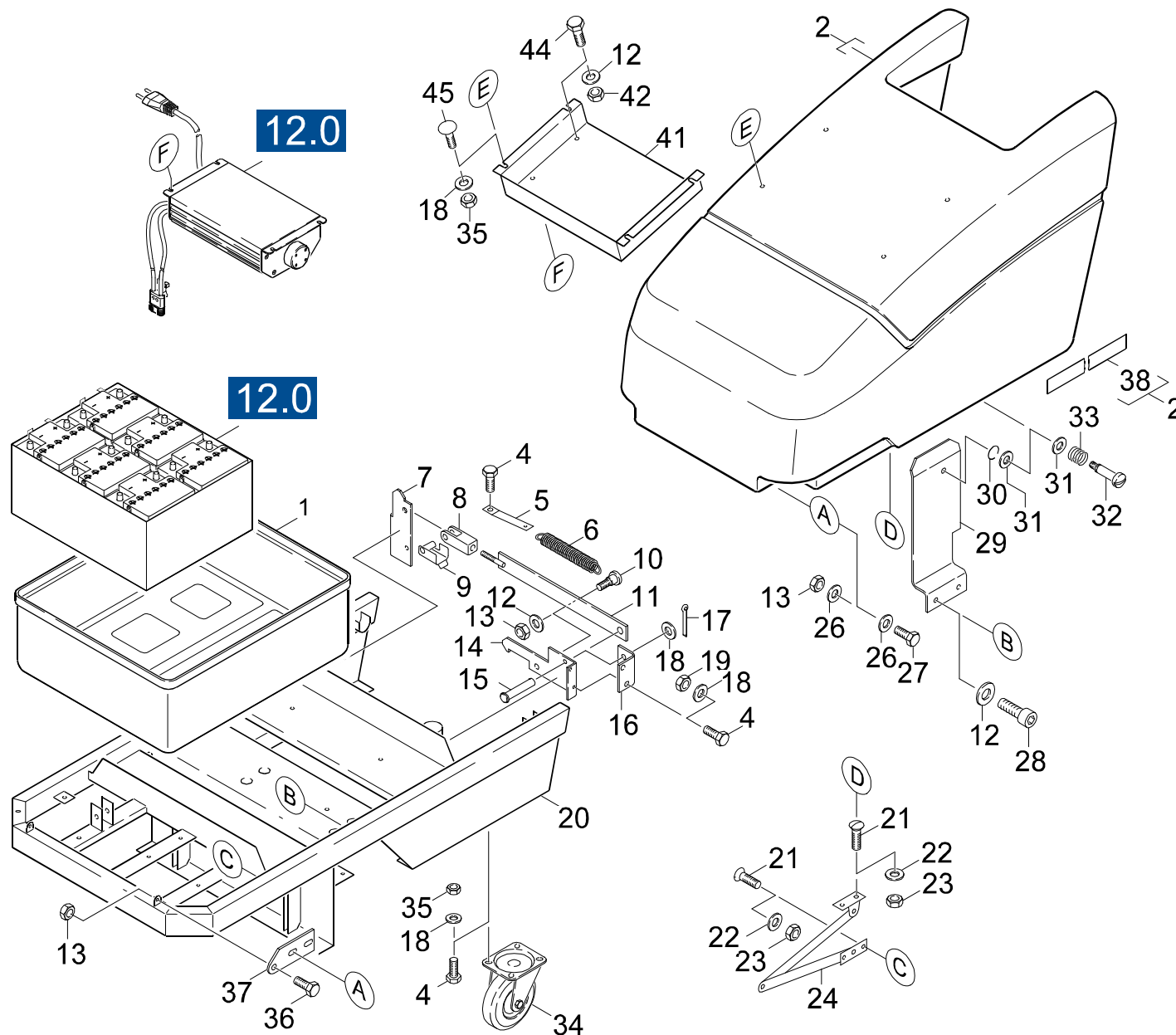
GRUPPE: 1.2 GERAET-OBERTEIL / BAT VERSION 2 /  
 GROUP: 1.2 APPLIANCE TOP PART / BAT VERSION 2 /  
 GROUPE: 1.2 USTENSILE PARTIE SUPER. / BAT VERSION 2 /

E1

BR 700

POS. ITM. POS.	BENNENNUNG DESCRIPTION DESIGNATION	TEILE-NR. PART-NO. NO.PIECE	STCK QTY. NBR.
1	WANNE / TUB / CUVE	5.039-021.0	1
2	HAUBE / COVER / CAPOT	5.066-807.0	1
4	6KT-SCHR. M 8X 16 / HEXAGONAL HEAD SCREW / VIS HEXAGONAL	7.304-395.0	1
5	LASCHE / RETAINER CLIP / ECLISSE	5.004-699.0	1
6	ZUGFEDER / EXTENSION SPRING / RESSORT DE TRACTION	6.330-093.0	1
7	HEBEL / LEVER / LEVIER	5.481-185.0	1
13	6KT-MUTTER M 6 / HEXAGON NUT / ECROU HEXAGONAL	7.311-422.0	7
15	BOLZEN B 8,0X 18 / BOLT / BOULON	7.316-224.0	1
17	SPLINT 2,0X 16 / COTTER / GOUPILLE FENDUE	7.316-336.0	1
18	SCHEIBE B 8,4 / WASHER / RONDELLE	7.312-004.0	13
20	GRUNDRAHMEN / BASE FRAME / CADRE	4.050-335.0	1
21	SENKSCHR. M 4X 12 / FLAT HEADED SCREW / VIS A TETE CONIQUE	7.305-253.0	4
22	SCHEIBE A 4,3 / WASHER / RONDELLE	7.312-001.0	4
23	6KT-MUTTER M 4 / HEXAGON NUT / ECROU HEXAGONAL	7.311-001.0	4
24	DECKELSCHERE / ELBOW BRACE / BEQUILLE DE CAPOT	6.372-069.0	1
26	SCHEIBE 6,4 / WASHER / RONDELLE	7.312-276.0	4
27	SCHRAUBE M 6X 20 / SCREW / VIS	7.306-092.0	2
34	LENKROLLE / CASTOR / ROUE PIVOTANTE	6.435-338.0	2
34	LENKROLLE D125 / CASTOR / ROUE PIVOTANTE	6.435-362.0	2
	<b>OELFEST/OIL RESISTANT/RESISTANT # L'HUILE</b>		
35	6KT-MUTTER M 8 / HEXAGON NUT / ECROU HEXAGONAL	7.311-004.0	2
36	SCHRAUBE M 6X 16 / SCREW / VIS	7.306-193.0	2
37	LASCHE / RETAINER CLIP / ECLISSE	5.004-685.0	2
38	STREIFEN GELB / STRIP / BANDE	5.390-530.0	1
46	HALTER / BRACKET / FIXATION	5.042-945.0	4
47	VERSCHLUSSTEIL / LOCK PIECE / PIECE DE FERMETURE	5.503-013.0	1
50	FEDERRING B 8 / SPRING WASHER / RONDELLE GROWER	7.313-004.0	1
51	ZYL.SCHR. M 8X 30 / CHEESE HEAD SCREW / VIS A TETE CYLINDR.	7.306-524.0	1
52	SCHUTZKAPPE / PROTECTING CAP / CAPOT PROTECTION	6.368-270.0	2
54	FL.RD.SCHR. M 8X 16 / SAUCER-HEAD SCREW / BOULON A TETE BOMBEE	7.303-193.0	8
55	6KT-MUTTER M 8 / HEXAGON NUT / ECROU HEXAGONAL	7.311-427.0	8

"=> xxxxxx" = bis Werknummer / up to serial No. / jusqu' au No. de fabr. / "xxxxxx =>" = ab Werknummer / from serial No. / a partir du No. de fabr. /



Symbolbeschreibung siehe M16 / symbol description see M16 / désignation de système voir M16 /



GRUPPE: 1.3 GERAET-OBERTEIL / PACKAGE VERSION 1 /  
 GROUP: 1.3 APPLIANCE TOP PART / PACKAGE VERSION 1 /  
 GROUPE: 1.3 USTENSILE PARTIE SUPER. / PACKAGE VERSION 1 /

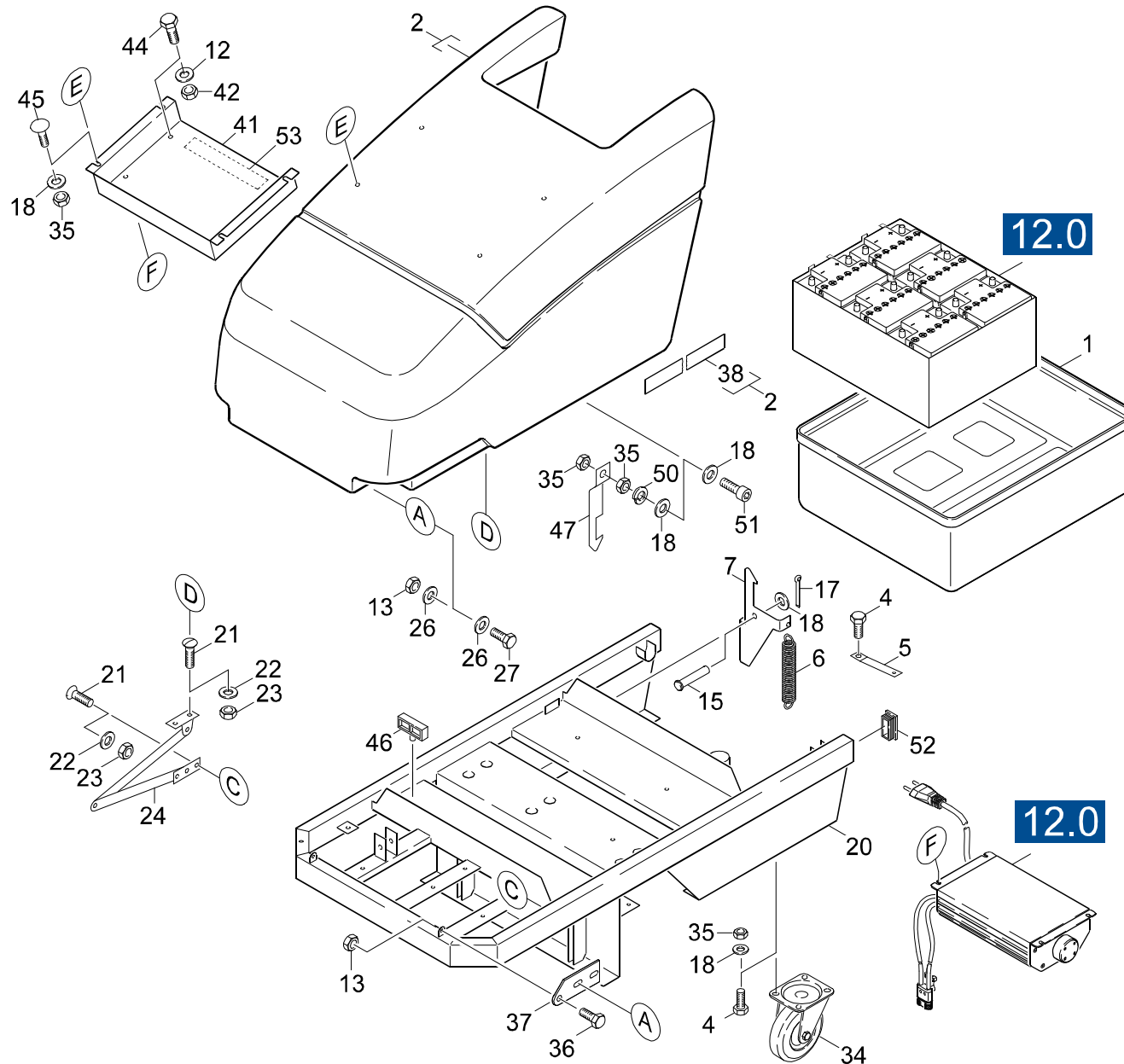
G1

BR 700

POS. ITM. POS.	BENNENNUNG DESCRIPTION DESIGNATION	TEILE-NR. PART-NO. NO.PIECE	STCK QTY. NBR.	POS. ITM. POS.	BENNENNUNG DESCRIPTION DESIGNATION	TEILE-NR. PART-NO. NO.PIECE	STCK QTY. NBR.
1	WANNE / TUB / CUVE	5.039-021.0	1	35	6KT-MUTTER M 8 / HEXAGON NUT / ECROU HEXAGONAL	7.311-004.0	12
2	HAUBE / COVER / CAPOT	5.066-807.0	1	36	SCHRAUBE M 6X 16 / SCREW / VIS	7.306-193.0	2
4	6KT-SCHR. M 8X 16 / HEXAGONAL HEAD SCREW / VIS HEXAGONAL	7.304-395.0	11	37	LASCHE / RETAINER CLIP / ECLISSE	5.004-685.0	2
5	LASCHE / RETAINER CLIP / ECLISSE	5.004-699.0	1	38	STREIFEN GELB / STRIP / BANDE	5.390-530.0	1
6	SCHRAUBENFEDER / HELICAL SPRING / RESSORT CYLINDRIQUE	5.332-075.0	1	41	BLECHTEIL / PLATE / TOLE	5.046-923.0	1
7	HEBEL / LEVER / LEVIER	5.481-168.0	1	42	6KT-MUTTER M 6 / HEXAGON NUT / ECROU HEXAGONAL	7.311-003.0	4
8	GABELKOPF G 6X24 / FORK HEAD / CHAPE	7.462-012.0	1	44	6KT-SCHR. M 6X 12 / HEXAGONAL HEAD SCREW / VIS HEXAGONAL	7.304-382.0	4
9	BOLZEN / BOLT / BOULON	6.316-056.0	1	45	FORMSCHRAUBE / SCREW / VIS	5.305-246.0	4
10	SCHRAUBE M 6X 22 / SCREW / VIS	6.303-140.0	1				
11	STREBE / STAY / ENTRETOISE	4.055-041.0	1				
12	SCHEIBE B 6,4 / WASHER / RONDELLE	7.312-003.0	4				
13	6KT-MUTTER M 6 / HEXAGON NUT / ECROU HEXAGONAL	7.311-422.0	7				
14	HEBEL / LEVER / LEVIER	5.481-171.0	1				
15	BOLZEN B 8,0X 18 / BOLT / BOULON	7.316-224.0	1				
16	WINKEL / ANGLE / ANGLE	5.019-321.0	1				
17	SPLINT 2,0X 16 / COTTER / GOUPILLE FENDUE	7.316-336.0	1				
18	SCHEIBE B 8,4 / WASHER / RONDELLE	7.312-004.0	15				
19	6KT-MUTTER M 8 / HEXAGON NUT / ECROU HEXAGONAL	7.311-427.0	2				
20	GRUNDRAHMEN KPL. / BASE FRAME / CADRE	4.050-310.0	1				
21	SENKSCHR. M 4X 12 / FLAT HEADED SCREW / VIS A TETE CONIQUE	7.305-253.0	4				
22	SCHEIBE A 4,3 / WASHER / RONDELLE	7.312-001.0	4				
23	6KT-MUTTER M 4 / HEXAGON NUT / ECROU HEXAGONAL	7.311-001.0	4				
24	DECKELSCHERE / ELBOW BRACE / BEQUILLE DE CAPOT	6.372-069.0	1				
26	SCHEIBE 6,4 / WASHER / RONDELLE	7.312-276.0	8				
27	SCHRAUBE M 6X 20 / SCREW / VIS	7.306-092.0	4				
28	ZYL.SCHR. M 6X 16 / CHEESE HEAD SCREW / VIS A TETE CYLINDR.	6.303-135.0	2				
29	HALTER / BRACKET / FIXATION	5.042-901.0	1				
30	SPRENGRING A 8 / SPRING RING / CIRCLIP	7.343-484.0	1				
31	SCHEIBE 8 / WASHER / RONDELLE	7.312-155.0	2				
32	FORMSCHRAUBE / SCREW / VIS	5.305-241.0	1				
33	SCHRAUBENFEDER / HELICAL SPRING / RESSORT CYLINDRIQUE	5.332-076.0	1				
34	LENKROLLE / CASTOR / ROUE PIVOTANTE	6.435-338.0	2				
34	LENKROLLE D125 / CASTOR / ROUE PIVOTANTE	6.435-362.0	2				

**OELFEST/OIL RESISTANT/RESISTANT # L'HUILE**

"=> xxxxxx" = bis Werknummer / up to serial No. / jusqu' au No. de fabr. / "xxxxxx =>" = ab Werknummer / from serial No. / a partir du No. de fabr. /



Symbolbeschreibung siehe M16 / symbol description see M16 / désignation de système voir M16 /

GRUPPE: 1.4 GERAET-OBERTEIL / PACKAGE VERSION 2 /  
 GROUP: 1.4 APPLIANCE TOP PART / PACKAGE VERSION 2 /  
 GROUPE: 1.4 USTENSILE PARTIE SUPER. / PACKAGE VERSION 2 /

I1

BR 700

POS. ITM. POS.	BENNENUNG DESCRIPTION DESIGNATION	TEILE-NR. PART-NO. NO.PIECE	STCK QTY. NBR.
1	WANNE / TUB / CUVE	5.039-021.0	1
2	HAUBE / COVER / CAPOT	5.066-807.0	1
4	6KT-SCHR. M 8X 16 / HEXAGONAL HEAD SCREW / VIS HEXAGONAL	7.304-395.0	8
5	LASCHE / RETAINER CLIP / ECLISSE	5.004-699.0	1
6	ZUGFEDER / EXTENSION SPRING / RESSORT DE TRACTION	6.330-093.0	1
7	HEBEL / LEVER / LEVIER	5.481-185.0	1
12	SCHEIBE B 6,4 / WASHER / RONDELLE	7.312-003.0	4
13	6KT-MUTTER M 6 / HEXAGON NUT / ECROU HEXAGONAL	7.311-422.0	6
15	BOLZEN B 8,0X 18 / BOLT / BOULON	7.316-224.0	1
17	SPLINT 2,0X 16 / COTTER / GOUPILLE FENDUE	7.316-336.0	1
18	SCHEIBE B 8,4 / WASHER / RONDELLE	7.312-004.0	15
20	GRUNDRAHMEN / BASE FRAME / CADRE	4.050-335.0	1
21	SENKSCHR. M 4X 12 / FLAT HEADED SCREW / VIS A TETE CONIQUE	7.305-253.0	4
22	SCHEIBE A 4,3 / WASHER / RONDELLE	7.312-001.0	4
23	6KT-MUTTER M 4 / HEXAGON NUT / ECROU HEXAGONAL	7.311-001.0	4
24	DECKELSCHERE / ELBOW BRACE / BEQUILLE DE CAPOT	6.372-069.0	1
26	SCHEIBE 6,4 / WASHER / RONDELLE	7.312-276.0	8
27	SCHRAUBE M 6X 20 / SCREW / VIS	7.306-092.0	4
34	LENKROLLE / CASTOR / ROUE PIVOTANTE	6.435-338.0	2
34	LENKROLLE D125 / CASTOR / ROUE PIVOTANTE	6.435-362.0	2
	<b>OELFEST/OIL RESISTANT/RESISTANT # L'UILE</b>		
35	6KT-MUTTER M 8 / HEXAGON NUT / ECROU HEXAGONAL	7.311-004.0	14
36	SCHRAUBE M 6X 16 / SCREW / VIS	7.306-193.0	2
37	LASCHE / RETAINER CLIP / ECLISSE	5.004-685.0	2
38	STREIFEN GELB / STRIP / BANDE	5.390-530.0	1
41	BLECHTEIL / PLATE / TOLE	5.046-923.0	1
42	6KT-MUTTER M 6 / HEXAGON NUT / ECROU HEXAGONAL	7.311-003.0	4
44	6KT-SCHR. M 6X 12 / HEXAGONAL HEAD SCREW / VIS HEXAGONAL	7.304-382.0	4
45	FORMSCHRAUBE / SCREW / VIS	5.305-246.0	4
46	HALTER / BRACKET / FIXATION	5.042-945.0	4
47	VERSCHLUSSTEIL / LOCK PIECE / PIECE DE FERMETURE	5.503-013.0	1
50	FEDERRING B 8 / SPRING WASHER / RONDELLE GROWER	7.313-004.0	1
51	ZYL.SCHR. M 8X 30 / CHEESE HEAD SCREW / VIS A TETE CYLINDR.	7.306-524.0	1
52	SCHUTZKAPPE / PROTECTING CAP / CAPOT PROTECTION	6.368-270.0	2
53	HINWEISSCHILD / INFORMATION SIGN / PLAQUE INDICATRICE	5.390-875.0	1

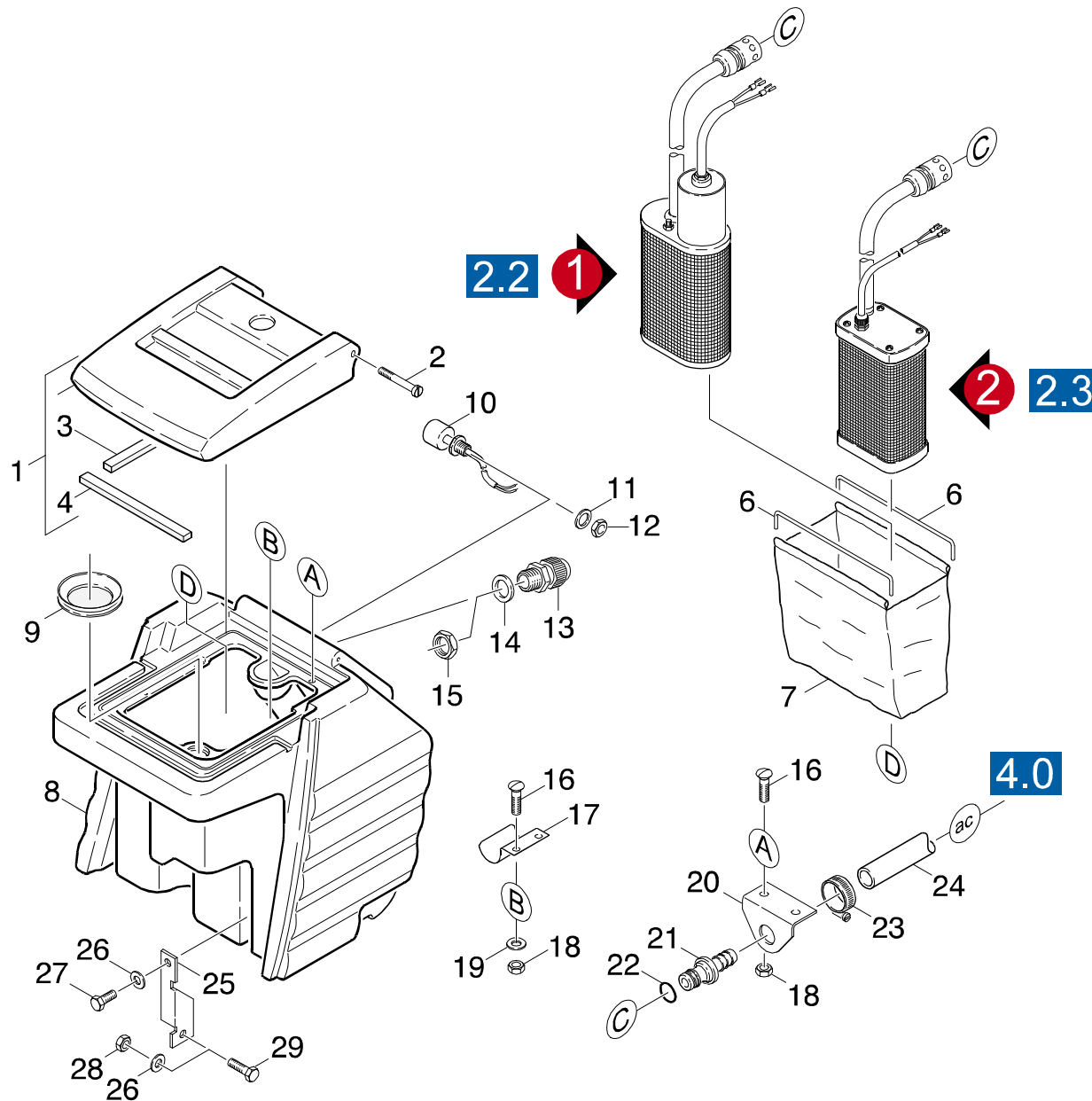
"=> xxxxxx" = bis Werknummer / up to serial No. / jusqu' au No. de fabr. / "xxxxxx =>" = ab Werknummer / from serial No. / a partir du No. de fabr. /

GRUPPE: 2.0 WASSERTANK  
GROUP: 2.0 WATER TANK  
GRUPPE: 2.0 RESERVOIR A EAU

**A2**

**BR 700**

**GRUPPE: 2.0 WASSERTANK**  
**GROUP: 2.0 WATER TANK**  
**GRUPPE: 2.0 RESERVOIR A EAU**



Symbolbeschreibung siehe M16 / symbol description see M16 / désignation de système voir M16 /

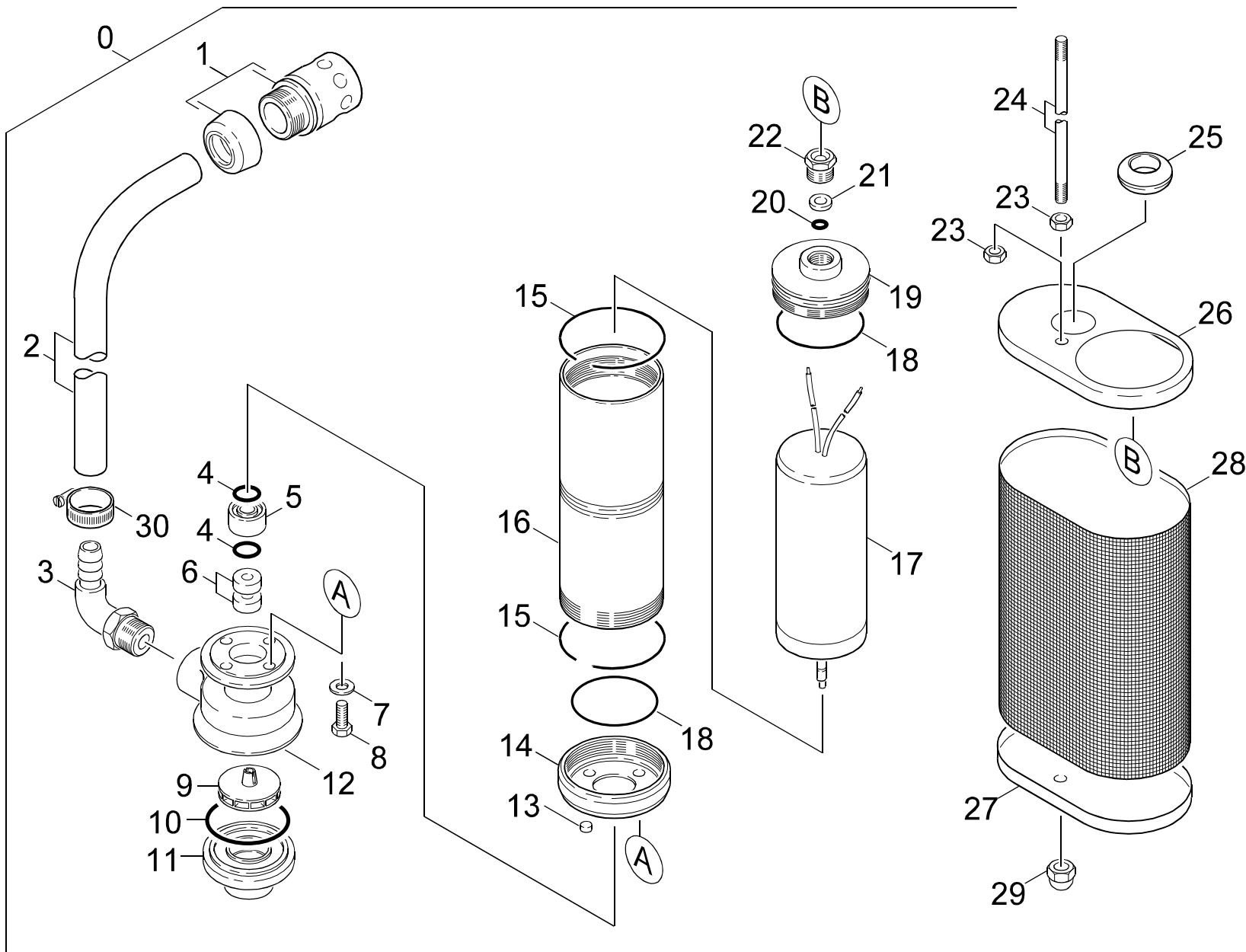
GRUPPE: 2.1 TANK EINZELTEILE  
 GROUP: 2.1 TANK  
 GROUPE: 2.1 RESERVOIR

C2

BR 700

POS. ITM. POS.	BENNENNUNG DESCRIPTION DESIGNATION	TEILE-NR. PART-NO. NO.PIECE	STCK QTY. NBR.	POS. ITM. POS.	BENNENNUNG DESCRIPTION DESIGNATION	TEILE-NR. PART-NO. NO.PIECE	STCK QTY. NBR.
1	DECKEL KPL. / COVER / COUVERCLE	4.063-231.0	1	25	WINKEL / ANGLE / ANGLE	5.019-309.0	1
2	ZYL.SCHR. M 8X 70 / CHEESE HEAD SCREW / VIS A TETE CYLINDR.	6.304-034.0	2	26	SCHEIBE B 8,4 / WASHER / RONDELLE	7.312-004.0	2
3	MOOSGUMMIBAND 25X15 / CELLULAR RUBBER TAPE / BANDE CAOUTCH.	6.273-142.0	2	27	6KT-SCHR. M 8X 12 / HEXAGONAL HEAD SCREW / VIS HEXAGONAL	7.304-394.0	1
4	MOOSGUMMIBAND 25X15 / CELLULAR RUBBER TAPE / BANDE CAOUTCH.	6.273-141.0	1	28	6KT-MUTTER M 8 / HEXAGON NUT / ECROU HEXAGONAL	7.311-004.0	1
6	BUEGEL / STRAP / ETRIER	5.034-479.0	2	29	6KT-SCHR. M 8X 20 / HEXAGONAL HEAD SCREW / VIS HEXAGONAL	7.304-397.0	1
7	MEMBRANE / DIAPHRAGM / MEMBRANE	5.367-027.0	1				
8	TANK / TANK / RESERVOIR	5.071-081.0	1				
9	DICHTRING / JOINT RING / BAGUE D'ETANCHEITE	5.363-344.0	1				
10	SCHWIMMERSCHALTER / FLOAT REGULATOR / INTERRUPTEUR A FLOTTEUR	6.631-846.0	1				
11	FLACHDICHTUNG 13X20 / SEAL / GARNITURE PLATE	6.641-654.0	1				
12	GEGENMUTTER PG 7 / COUNTERNUT / CONTRE-ECROU	6.641-483.0	1				
13	KABELVERSCHR. PG 9 / CABLE CONNECTOR / RACCORD DE CABLES	6.641-873.0	1				
14	FLACHDICHTUNG 16X24 / SEAL / GARNITURE PLATE	6.641-655.0	1				
15	GEGENMUTTER PG 9 / COUNTERNUT / CONTRE-ECROU	6.641-485.0	1				
16	S-SCHEIBE 7 / LOCK WASHER / RONDELLE D'ARRET	7.343-300.0	4				
	<b>AUSFUEHRUNG BEACHTEN!/PAY ATTENTION TO VERSION!/IL FAUT CONSIDERER LA VERSION!</b>						
17	HALTER / BRACKET / FIXATION	5.042-904.0	1				
	<b>AUSFUEHRUNG BEACHTEN!/PAY ATTENTION TO VERSION!/IL FAUT CONSIDERER LA VERSION!</b>						
18	6KT-MUTTER M 5 / HEXAGON NUT / ECROU HEXAGONAL	7.311-065.0	4				
	<b>AUSFUEHRUNG BEACHTEN!/PAY ATTENTION TO VERSION!/IL FAUT CONSIDERER LA VERSION!</b>						
19	SCHEIBE R 5,5 / WASHER / RONDELLE	7.312-267.0	2				
	<b>AUSFUEHRUNG BEACHTEN!/PAY ATTENTION TO VERSION!/IL FAUT CONSIDERER LA VERSION!</b>						
20	WINKEL / ANGLE / ANGLE	5.019-339.0	1				
	<b>AUSFUEHRUNG BEACHTEN!/PAY ATTENTION TO VERSION!/IL FAUT CONSIDERER LA VERSION!</b>						
21	SCHLAUCHNIPPEL / HOSE STEM / RACCORD DE FLEXIBLE	5.443-375.0	1				
22	O-RING 11,3 X 2,4 / GASKET / BAQUE D'ETANCHEITE	6.362-170.0	1				
23	SCHLAUCHSCHELLE / HOSE BAND CLIP / COLLIER DE SERRAGE	6.388-546.0	1				
24	SCHLAUCH DN12,5 / HOSE / TUYAU FLEXIBLE	6.388-248.0	1				
	<b>ALS METERWARE BESTELLEN/TO ORDER AS CUT GOODS/COMMANDE COMME MARCHANDISE AU METRE</b>						

"=> xxxxxx" = bis Werknummer / up to serial No. / jusqu' au No. de fabr. / "xxxxxx =>" = ab Werknummer / from serial No. / a partir du No. de fabr. /



Symbolbeschreibung siehe M16 / symbol description see M16 / désignation de système voir M16 /

GRUPPE: 2.2 TAUCHPUMPE / VERSION 1 /  
 GROUP: 2.2 IMMERSION PUMP / VERSION 1 /  
 GROUPE: 2.2 POMPE PLONGEANTE / VERSION 1 /

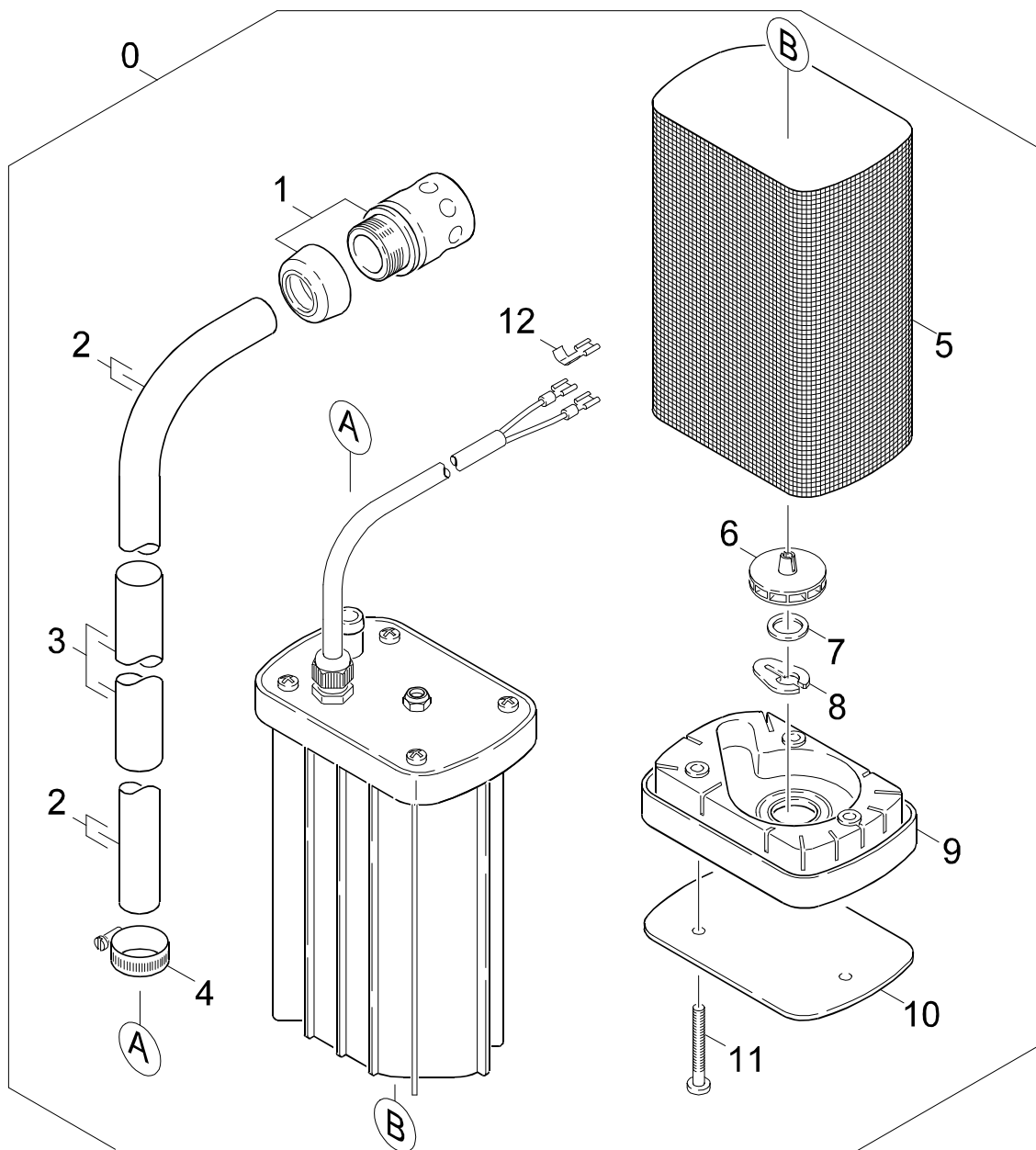
E2

BR 700

POS.	BENNENNUNG	TEILE-NR.	STCK
ITM.	DESCRIPTION	PART-NO.	QTY.
POS.	DESIGNATION	NO.PIECE	NBR.
0	TAUCHPUMPE / IMMERSION PUMP / POMPE PLONGEANTE	4.540-058.0	1
1	SCHLAUCHKUPPLUNG / HOSE COUPLING / RACCORD POMPIERS	6.388-482.0	1
2	SCHLAUCH DN12,5 / HOSE / TUYAU FLEXIBLE	6.388-248.0	2
	<b>ALS METERWARE BESTELLEN/TO ORDER AS CUT GOODS/COMMANDE COMME MARCHANDISE AU METRE</b>		
3	WINKELTUELLE / ANGLE SOCKET / COUDE	6.389-899.0	1
4	O-RING 11,0 X 2,0 / GASKET / BAQUE D'ETANCHEITE	6.362-458.0	2
5	HUELSE / SLEEVE / DOUILLE	5.110-577.0	1
6	RADIALDICHTRING / RADIAL GASKET SEAL / BAGUE A LEVERS	6.473-218.0	2
7	SCHEIBE B 4,3 / WASHER / RONDELLE	7.312-042.0	4
8	6KT-SCHR. M 4X 8 / HEXAGONAL HEAD SCREW / VIS HEXAGONAL	7.304-269.0	4
9	LAUFRAD TAUCHPUMPE / FAN WHEEL / ROUE DE VENTILATEUR	6.473-215.0	1
10	O-RING TAUCHPUMPE / GASKET / BAQUE D'ETANCHEITE	6.473-217.0	1
11	SAUGDECKEL / COVER / COUVERCLE	6.473-214.0	1
12	VENTILGEHAEUSE / VALVE HOUSING / CORPS DE SOUPAPE	5.060-599.0	1
13	GUMMISTOPFEN / PLUG / BOUCHON	5.132-108.0	4
14	MUTTER / NUT / ECROU	5.310-108.0	1
15	SPRENGRING A55 / SPRING RING / CIRCLIP	7.343-487.0	2
16	ROHR / PIPE / TUYAU	5.028-796.0	1
17	GLEICHSTROMMOTOR / DC MOTOR / MOTEUR C.C.	6.473-216.0	1
18	O-RING 44,17X 1,78 / GASKET / BAQUE D'ETANCHEITE	6.362-475.0	2
19	VERSCHLUSS / CLOSURE / FERMOIR	5.412-012.0	1
20	O-RING 6,0 X 3,0 / GASKET / BAQUE D'ETANCHEITE	6.362-638.0	1
21	SCHEIBE / WASHER / RONDELLE	5.115-645.0	1
22	SCHRAUBSTUTZEN / SCREW UNION / RACCORD FILETE	5.402-546.0	1
23	6KT-MUTTER M 6 / HEXAGON NUT / ECROU HEXAGONAL	7.311-067.0	2
24	STANGE / BAR / TIGE	5.107-161.0	1
25	DURCHFUEHR.TUELLE / BUSH / DOUILLE DE TRAVERSEE	6.641-640.0	1
26	BLECHTEIL / PLATE / TOLE	5.046-893.0	1
27	BLECHTEIL / PLATE / TOLE	5.046-892.0	1
28	FILTER / FILTER / FILTRE	6.414-453.0	1
29	6KT-HUTMUTTER M 6 / HEXAGON CAP NUT / ECROU BORGNE HEXAGONAL	7.311-400.0	1
30	SCHLAUCHSCHELLE / HOSE BAND CLIP / COLLIER DE SERRAGE	6.388-546.0	1

"=> xxxxxx" = bis Werknummer / up to serial No. / jusqu' au No. de fabr. / "xxxxxx =>" = ab Werknummer / from serial No. / a partir du No. de fabr. /





Symbolbeschreibung siehe M16 / symbol description see M16 / désignation de système voir M16 /

GRUPPE: 2.3 TAUCHPUMPE 36 V / VERSION 2 /  
GROUP: 2.3 IMMERSION PUMP / VERSION 2 /  
GRUPPE: 2.3 POMPE PLONGEANTE / VERSION 2 /

G2

BR 700

POS. ITM. POS.	BENNENUNG DESCRIPTION DESIGNATION	TEILE-NR. PART-NO. NO.PIECE	STCK QTY. NBR.
0	TAUCHPUMPE 36V / IMMERSION PUMP / POMPE PLONGEANTE	4.540-064.0	1
1	SCHLAUCHKUPPLUNG / HOSE COUPLING / RACCORD POMPIERS	6.388-482.0	1
2	SCHLAUCH DN12,5 / HOSE / TUYAU FLEXIBLE	6.388-248.0	1
3	SCHRUMPFSCHLAUCH / HOSE / GAINE THERMORETR.	6.901-027.0	1
	<b>ALS METERWARE BESTELLEN/TO ORDER AS CUT GOODS/COMMANDE COMME MARCHANDISE AU METRE</b>		
4	KABELBAND 8-210 / CABLE TIE / PROTECT. DE CABLE	6.641-474.0	1
5	FILTER / FILTER / FILTRE	6.414-521.0	1
6	LAUFRAD TAUCHPUMPE / FAN WHEEL / ROUE DE VENTILATEUR	6.473-215.0	1
7	SCHEIBE / WASHER / RONDELLE	5.115-778.0	1
8	SICHERUNGSBLECH / LOCKING PLATE / TOLE DE SURETE	5.001-800.0	1
9	GEHAEUSE LAUFRAD / HOUSING / BOITIER	5.060-639.0	1
10	BLECH 2 / PLATE / TOLE	5.001-662.0	1
11	SCHRAUBE 5 X 40 / SCREW / VIS	7.303-118.0	3
12	STECKHUELSE 6,3 / PLUG CASE INSULATION / ALVEOLE ISOLEE	6.641-898.0	2

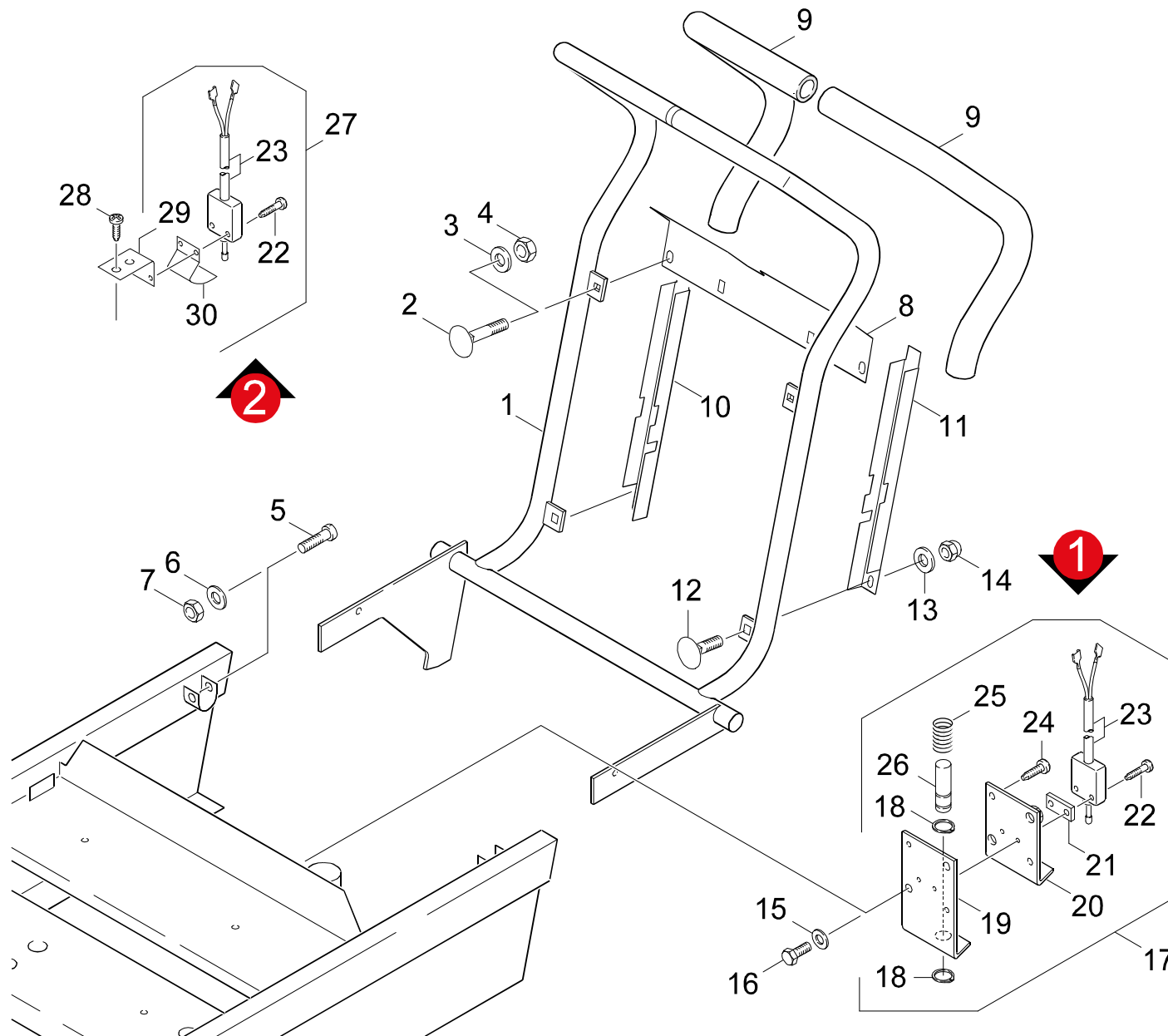
"=> xxxxxx" = bis Werknummer / up to serial No. / jusqu' au No. de fabr. / "xxxxxx =>" = ab Werknummer / from serial No. / a partir du No. de fabr. /

**GRUPPE: 3.0 SCHUBBUEGEL**  
**GROUP: 3.0 SHEARING SHACKLE**  
**GRUPPE: 3.0 L'ARCHET DE POUSEE**

**A3**

**BR 700**

**GRUPPE: 3.0 SCHUBBUEGEL**  
**GROUP: 3.0 SHEARING SHACKLE**  
**GRUPPE: 3.0 L'ARCHET DE POUSEE**



Symbolbeschreibung siehe M16 / symbol description see M16 / désignation de système voir M16 /

GRUPPE: 3.0 SCHUBBUEGEL  
 GROUP: 3.0 SHEARING SHACKLE  
 GROUPE: 3.0 L'ARCHET DE PUSEE

C3

BR 700

POS. ITM. POS.	BENNENNUNG DESCRIPTION DESIGNATION	TEILE-NR. PART-NO. NO.PIECE	STCK QTY. NBR.	POS. ITM. POS.	BENNENNUNG DESCRIPTION DESIGNATION	TEILE-NR. PART-NO. NO.PIECE	STCK QTY. NBR.
1	GRIFF / HANDLE / POIGNEE	4.321-079.0	1	25	SCHRAUBENFEDER / HELICAL SPRING / RESSORT CYLINDRIQUE	5.332-160.0	1
2	FL.RD.SCHR. M 8X 16 / SAUCER-HEAD SCREW / BOULON A TETE BOMBEE	7.303-193.0	2		<b>VERSION 1</b>		
3	SCHEIBE 8,4 / WASHER / RONDELLE	7.312-277.0	2	26	STOESSEL / SLIDE OF A PRESS / PILON	5.560-038.0	1
4	6KT-MUTTER M 8 / HEXAGON NUT / ECROU HEXAGONAL	7.311-427.0	2		<b>VERSION 1</b>		
5	ZYL.SCHR. M 6X 40 / CHEESE HEAD SCREW / VIS A TETE CYLINDR.	6.304-039.0	2	27	SCHALTER KPL. / SWITCH / INTERRUPTEUR	4.744-107.0	1
6	SCHEIBE B 6,4 / WASHER / RONDELLE	7.312-003.0	2		<b>VERSION 2</b>		
7	6KT-MUTTER M 6 / HEXAGON NUT / ECROU HEXAGONAL	7.311-422.0	2	28	SCHRAUBE M 5X 12 / SCREW / VIS	7.303-038.0	2
8	WINKEL / ANGLE / ANGLE	5.019-280.0	1	29	WINKEL / ANGLE / ANGLE	5.019-497.0	1
9	SCHAUMSTOFFGRIFF / CELLULAR HANDLE / POIGNEE	6.321-117.0	1		<b>VERSION 2</b>		
	<b>ALS METERWARE BESTELLEN/TO ORDER AS CUT GOODS/COMMANDE COMME MARCHANDISE AU METRE</b>			30	BLATTFEDER / PLATE SPRING / RESSORT A LAMES	5.337-028.0	1
					<b>VERSION 2</b>		
10	LEISTE / STRIP / BAGUETTE	5.190-051.0	1				
11	LEISTE / STRIP / BAGUETTE	5.190-053.0	1				
12	FL.RD.SCHR. M 6X 16 / SAUCER-HEAD SCREW / BOULON A TETE BOMBEE	7.303-160.0	2				
13	SCHEIBE 6,4 / WASHER / RONDELLE	7.312-291.0	2				
14	HUTMUTTER M 6 / CAP NUT / ECROU BORGNE	7.311-380.0	2				
15	SCHEIBE B 5,3 / WASHER / RONDELLE	7.312-002.0	2				
	<b>VERSION 1</b>						
16	6KT-SCHR. M 5X 16 / HEXAGONAL HEAD SCREW / VIS HEXAGONAL	7.304-372.0	2				
	<b>VERSION 1</b>						
17	SCHALTER KPL. / SWITCH / INTERRUPTEUR	4.744-102.0	1				
	<b>VERSION 1</b>						
18	S-SCHEIBE 8 / LOCK WASHER / RONDELLE D'ARRET	7.343-303.0	2				
	<b>VERSION 1</b>						
19	WINKEL / ANGLE / ANGLE	5.019-305.0	1				
	<b>VERSION 1</b>						
20	WINKEL KPL. / ANGLE / ANGLE	4.021-105.0	1				
	<b>VERSION 1</b>						
21	LASCHE / RETAINER CLIP / ECLISSE	5.004-696.0	1				
	<b>VERSION 1</b>						
22	SCHNEIDSCHR. M3X 16 / SELF-TAPPING SCREW / VIS AUTOTARAUEUSE	6.303-014.0	2				
23	MIKROSCHALTER / MICRO SWITCH / MICRORUPTEUR	6.631-852.0	1				
24	SCHNEIDSCHR. M4X 8 / SELF-TAPPING SCREW / VIS AUTOTARAUEUSE	6.303-017.0	2				
	<b>VERSION 1</b>						

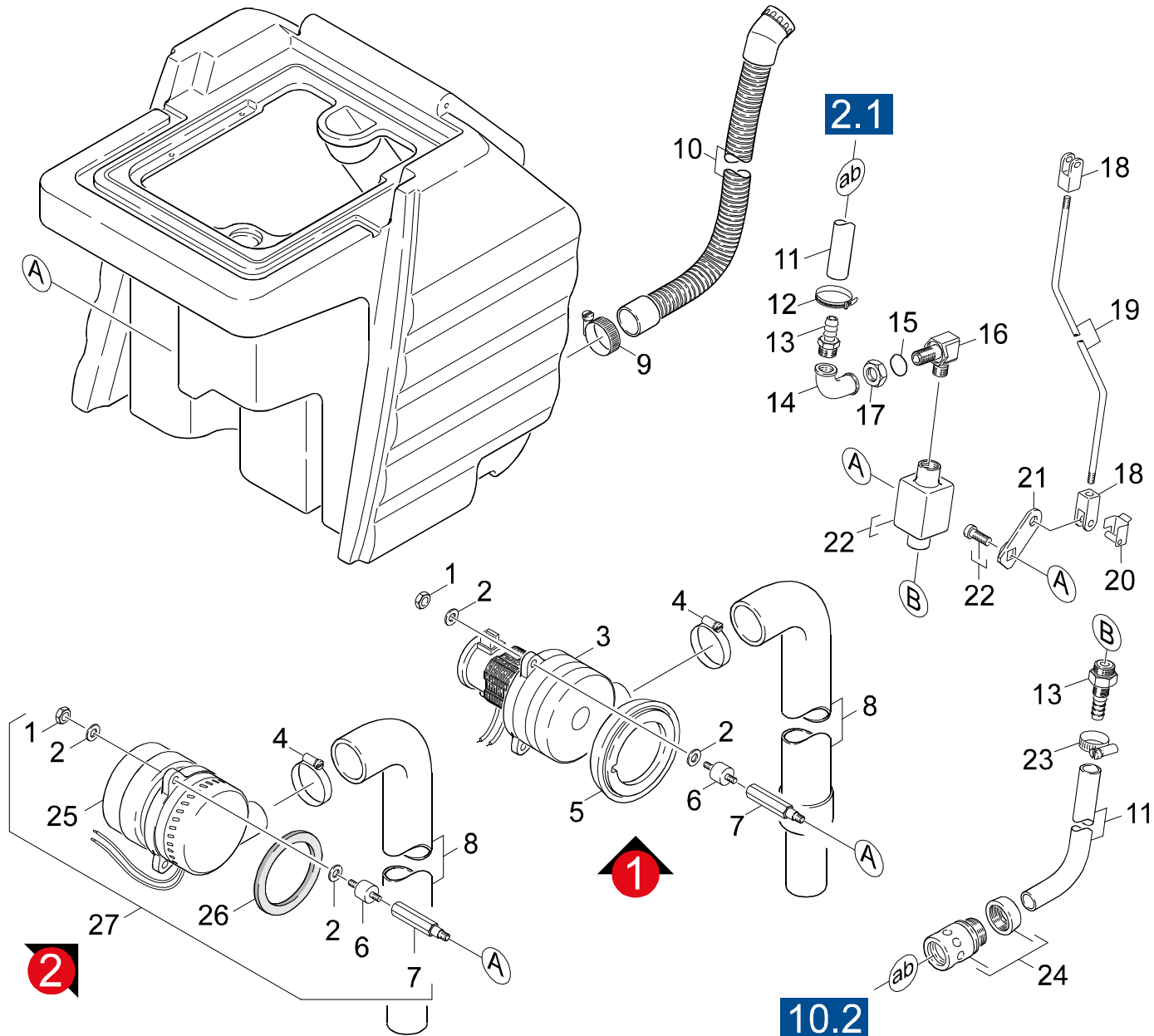
"=> xxxxxx" = bis Werknummer / up to serial No. / jusqu' au No. de fabr. / "xxxxxx =>" = ab Werknummer / from serial No. / a partir du No. de fabr. /

**GRUPPE: 4.0 LEITUNGSSYSTEM**  
**GROUP: 4.0 PIPING**  
**GRUPPE: 4.0 PIPELINE**

**A4**

**BR 700**

**GRUPPE: 4.0 LEITUNGSSYSTEM**  
**GROUP: 4.0 PIPING**  
**GRUPPE: 4.0 PIPELINE**



Symbolbeschreibung siehe M16 / symbol description see M16 / désignation de système voir M16 /

GRUPPE: 4.0 LEITUNGSSYSTEM  
 GROUP: 4.0 PIPING  
 GROUPE: 4.0 PIPELINE

C4

BR 700

POS. ITM. POS.	BENNENNUNG DESCRIPTION DESIGNATION	TEILE-NR. PART-NO. NO.PIECE	STCK QTY. NBR.	POS. ITM. POS.	BENNENNUNG DESCRIPTION DESIGNATION	TEILE-NR. PART-NO. NO.PIECE	STCK QTY. NBR.
1	6KT-MUTTER M 6 / HEXAGON NUT / ECROU HEXAGONAL	7.311-422.0	3	27	UBS EL.KOM. TURBINE / CONVERSION KIT / KIT DE MODIFIC. <b>VERSION 2</b>	2.639-909.0	1
2	SCHEIBE B 6,4 / WASHER / RONDELLE	7.312-003.0	6				
3	SAUGTURBINE / VACUUM MOTOR / TURBINE D'ASPIRATION <b>VERSION 1</b>	6.490-099.0	1				
4	SCHLAUCHSCHELLE / HOSE BAND CLIP / COLLIER DE SERRAGE	6.388-713.0	1				
5	DICHTRING / JOINT RING / BAGUE D'ETANCHEITE <b>VERSION 1</b>	5.363-321.0	1				
6	GUMMIPUFFER 2XM6 / RUBBER BUFFER / BUTOIR CAOUTCHOUC	6.339-021.0	3				
7	DISTANZBOLZEN / DISTANCE PIN / BOULON D'ECARTEMENT	5.316-364.0	3				
8	SPIRALSCHLAUCH / SPIRAL HOSE / TUYAU SPIRALE	6.389-896.0	1				
9	SPANNSCHELLE 47-67 / TENSION CLAMP / COLLIER DE SERRAGE	6.388-529.0	1				
10	ABLASSSCHLAUCH / DRAIN HOSE / TUYAU FLEX. D'ECOULEMENT	4.446-008.0	1				
11	SCHLAUCH DN12,5 / HOSE / TUYAU FLEXIBLE <b>ALS METERWARE BESTELLEN/TO ORDER AS CUT GOODS/COMMANDE COMME MARCHANDISE AU METRE</b>	6.388-248.0	1				
12	KABELBAND 8-210 / CABLE TIE / PROTECT. DE CABLE	6.641-474.0	1				
13	SCHLAUCHNIPPEL / HOSE STEM / RACCORD DE FLEXIBLE	6.389-898.0	2				
14	WINKEL A1- 3/8 / ANGLE / ANGLE	6.385-108.0	1				
15	O-RING 17,5 X 3,5 / GASKET / BAQUE D'ETANCHEITE	6.362-579.0	1				
16	SCHRAUBSTUTZEN KPL. / SCREW UNION / RACCORD FILETE	4.402-052.0	1				
17	6KT-MUTTER B G 3/8" / HEXAGON NUT / ECROU HEXAGONAL	7.311-554.0	1				
18	GABELKOPF G 6X24 / FORK HEAD / CHAPE	7.462-012.0	2				
19	STANGE / BAR / TIGE	5.107-159.0	1				
20	BOLZEN / BOLT / BOULON	6.316-056.0	1				
21	LASCHE KPL. / RETAINER CLIP / ECLISSE	4.042-703.0	1				
22	KUGELHAHN / BALL VALVE / ROBINET SPHERIQUE	6.412-289.0	1				
23	SCHLAUCHSCHELLE / HOSE BAND CLIP / COLLIER DE SERRAGE	6.388-546.0	1				
24	SCHLAUCHKUPPLUNG / HOSE COUPLING / RACCORD POMPIERS	6.388-482.0	1				
25	SAUGTURBINE 36V / VACUUM MOTOR / TURBINE D'ASPIRATION <b>VERSION 2</b>	6.490-158.0	1				
26	DICHTRING / JOINT RING / BAGUE D'ETANCHEITE <b>VERSION 2</b>	5.363-574.0	1				

"=> xxxxxx" = bis Werknummer / up to serial No. / jusqu' au No. de fabr. / "xxxxxx =>" = ab Werknummer / from serial No. / a partir du No. de fabr. /

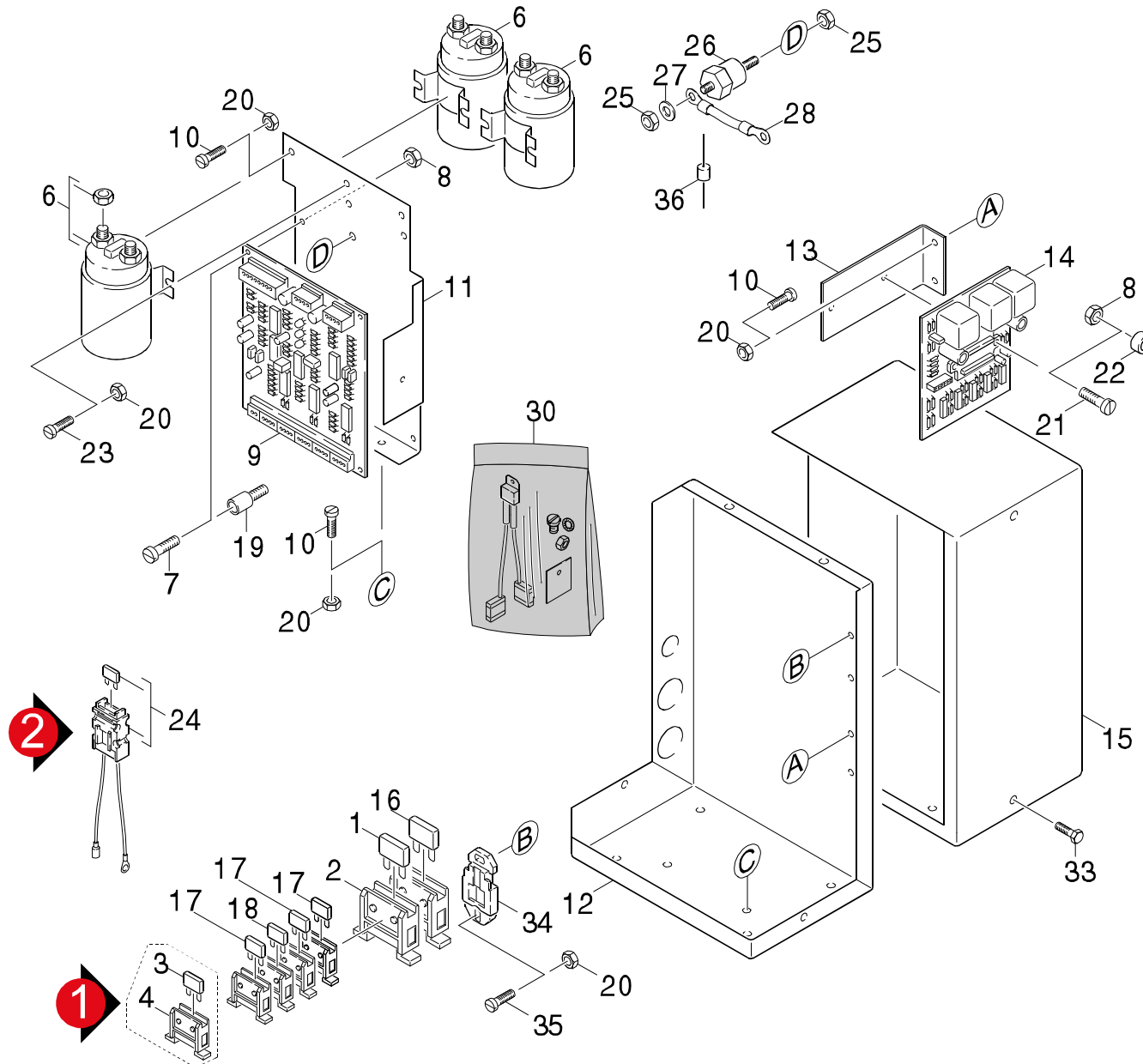


GRUPPE: 5.0 SCHALTKASTEN  
GROUP: 5.0 SWITCH BOX  
GRUPPE: 5.0 COFFRET ELECTRIQUE

**A5**

**BR 700**

**GRUPPE: 5.0 SCHALTKASTEN**  
**GROUP: 5.0 SWITCH BOX**  
**GRUPPE: 5.0 COFFRET ELECTRIQUE**



Symbolbeschreibung siehe M16 / symbol description see M16 / désignation de système voir M16 /

GRUPPE: 5.0 SCHALTKASTEN  
 GROUP: 5.0 SWITCH BOX  
 GROUPE: 5.0 COFFRET ELECTRIQUE

C5

BR 700

POS. ITM. POS.	BENNENNUNG DESCRIPTION DESIGNATION	TEILE-NR. PART-NO. NO.PIECE	STCK QTY. NBR.	POS. ITM. POS.	BENNENNUNG DESCRIPTION DESIGNATION	TEILE-NR. PART-NO. NO.PIECE	STCK QTY. NBR.
1	SICHERUNGSEINSATZ / FUSE INSERT / CARTOUCHE FUSIBLE	6.644-277.0	1	28	NEBENWIDERSTAND / SHUNT RESISTOR / RESISTANCE EN SHUNT	6.652-019.0	1
2	SICHERUNGSHALTER / RETAINER / PORTE-FUSIBLE	6.644-275.0	2	30	UBS SCHUTZDIODE / CONVERSION KIT / KIT DE MODIFIC.	2.882-398.0	1
3	SICHERUNGSAUTOMAT / SAFETY CUTOUT / COUPE CIRCUIT	6.644-310.0	1	33	6KT-SCHR. M 6X 12 / HEXAGONAL HEAD SCREW / VIS HEXAGONAL	7.304-382.0	1
4	SICHERUNGSHALTER / RETAINER / PORTE-FUSIBLE	6.644-279.0	5	34	ANBAUPLATTE / PLATE / PLAQUE	6.644-276.0	1
6	LEISTUNGSRELAIS / POWER RELAY / RELAIS DE PUISSANCE	6.633-337.0	3	35	SCHRAUBE M 5X 16 / SCREW / VIS	7.306-077.0	1
7	ZYL.SCHR. M 4X 8 / CHEESE HEAD SCREW / VIS A TETE CYLINDR.	7.306-516.0	4	36	LEISTUNGSDIODE / DIODE / DIODE	6.664-037.0	1
8	6KT-MUTTER M 4 / HEXAGON NUT / ECROU HEXAGONAL	7.311-001.0	8				
9	STEUERELEKTRONIK / ELECTRONIC CONTROL / ELECTR.DE COMMANDE <b>GRUENE KLEMMLEISTE (PASSEND ZU GRUENEM STECKER)/GREEN CONNECTING STRIP THAT FITTS THE GREEN PLUG/PLANCHETTE DE RACCORDEMENT VERTE ASSORTIE A LA FICHE VERTE</b>	6.682-294.0	1				
9	STUERPLATINE / CONTROL MODULE / PLATINE <b>GRAUE KLEMMLEISTE (PASSEND ZU GRAUEM STECKER)/GREY CONNECTING STRIP THAT FITTS THE GREY PLUG/PLANCHETTE DE RACCORDEMENT GRISE ASSORTIE A LA FICHE GRISE</b>	6.682-341.0	1				
10	ZYL.SCHR. M 5X 10 / CHEESE HEAD SCREW / VIS A TETE CYLINDR.	7.306-447.0	6				
11	HALTEPLATTE / PLATE / PLAQUE	5.003-092.0	1				
12	BLECHTEIL / PLATE / TOLE	5.046-780.0	1				
13	WINKEL / ANGLE / ANGLE	5.019-294.0	1				
14	FAHRSTEUERUNG / CONTROL SYSTEM / COMMANDE DE ROULEMENT	6.682-293.0	1				
15	BLECHTEIL / PLATE / TOLE	5.046-781.0	1				
16	SICHERUNGSEINSATZ / FUSE INSERT / CARTOUCHE FUSIBLE	6.644-278.0	1				
17	SICHERUNGSAUTOMAT / SAFETY CUTOUT / COUPE CIRCUIT	6.644-311.0	3				
18	SICHERUNGSEINS C7,5 / FUSE INSERT / CARTOUCHE FUSIBLE	7.644-007.0	1				
19	ABSTANDSBOLZEN M4 / PIN / BOULON D'ECARTEMENT	6.316-080.0	4				
20	6KT-MUTTER M 5 / HEXAGON NUT / ECROU HEXAGONAL	7.311-002.0	9				
21	ZYL.SCHR. M 4X 25 / CHEESE HEAD SCREW / VIS A TETE CYLINDR.	7.306-632.0	2				
22	BUCHSE / BUSH / DOUILLE	5.112-502.0	2				
23	ZYL.SCHR. M 5X 12 / CHEESE HEAD SCREW / VIS A TETE CYLINDR.	7.306-443.0	1				
24	STEUERSICHERUNG KPL / POWER FUSE / COUPE-CIRCUIT	6.644-301.0	1				
25	6KT-MUTTER M 6 / HEXAGON NUT / ECROU HEXAGONAL	7.311-003.0	1				
26	ISOLATOR / INSULATOR / ISOLATEUR	6.652-020.0	1				
27	SCHEIBE B 6,4 / WASHER / RONDELLE	7.312-003.0	1				

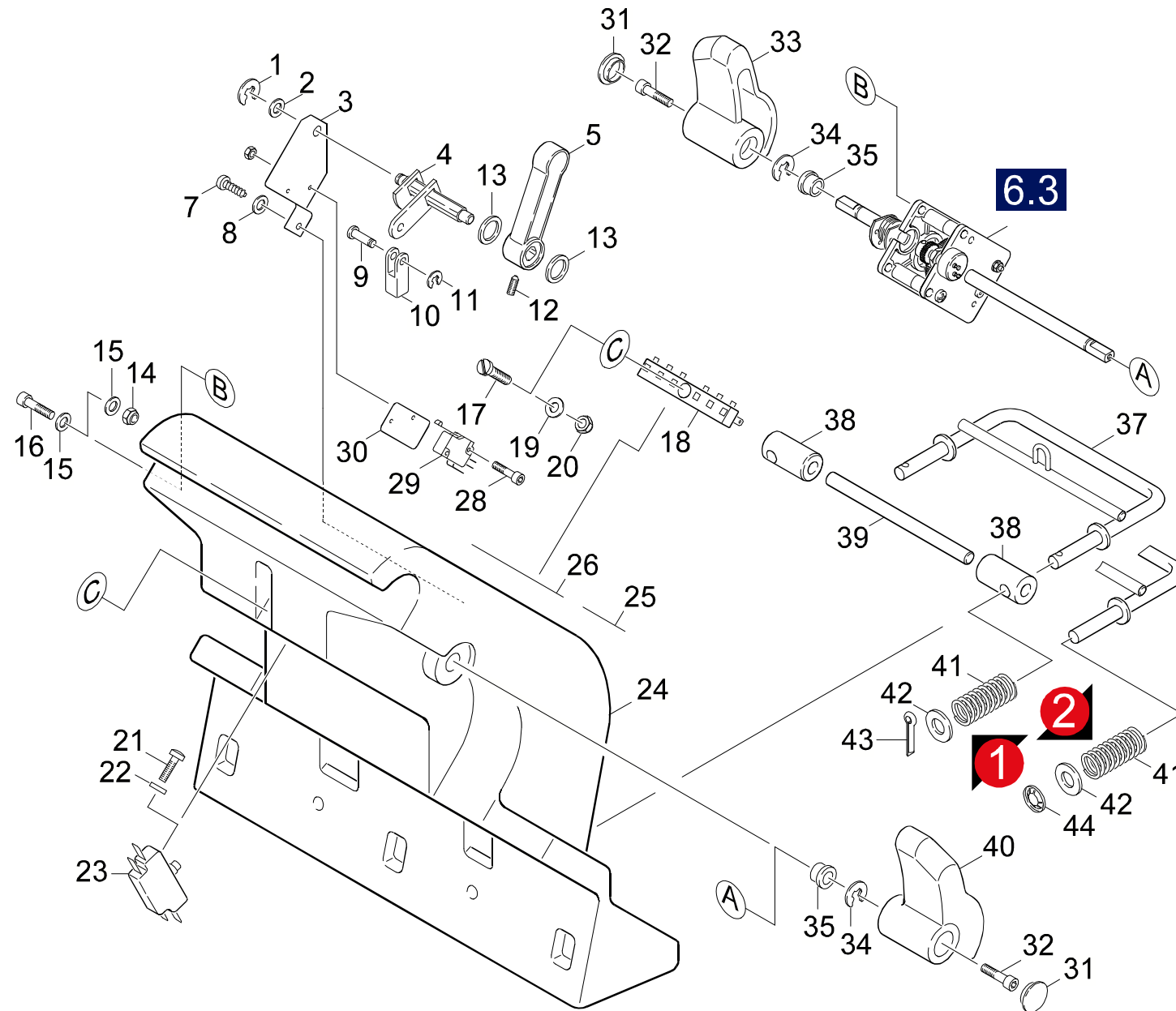
"=> xxxxxx" = bis Werknummer / up to serial No. / jusqu' au No. de fabr. / "xxxxxx =>" = ab Werknummer / from serial No. / a partir du No. de fabr. /

**GRUPPE: 6.0 STEUERUNG**  
**GROUP: 6.0 CONTROL SYSTEM**  
**GRUPPE: 6.0 COMMANDE**

**A6**

**BR 700**

**GRUPPE: 6.0 STEUERUNG**  
**GROUP: 6.0 CONTROL SYSTEM**  
**GRUPPE: 6.0 COMMANDE**



Symbolbeschreibung siehe M16 / symbol description see M16 / désignation de système voir M16 /

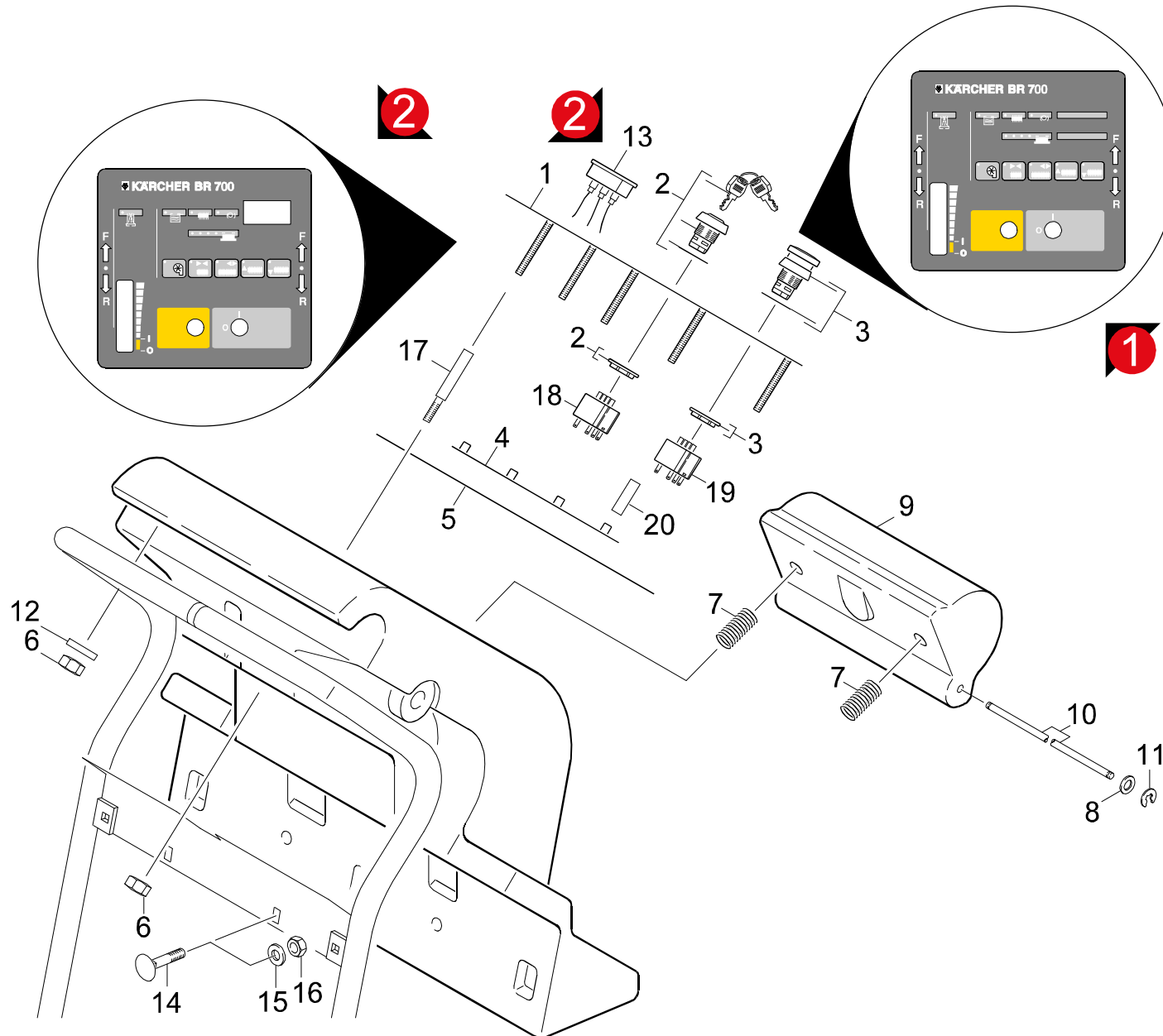
GRUPPE: 6.1 STEUERUNG  
 GROUP: 6.1 CONTROL SYSTEM  
 GROUPE: 6.1 COMMANDE

C6

BR 700

POS. ITM. POS.	BENNENNUNG DESCRIPTION DESIGNATION	TEILE-NR. PART-NO. NO.PIECE	STCK QTY. NBR.	POS. ITM. POS.	BENNENNUNG DESCRIPTION DESIGNATION	TEILE-NR. PART-NO. NO.PIECE	STCK QTY. NBR.
1	S-SCHEIBE 6 / LOCK WASHER / RONDELLE D'ARRET	7.343-201.0	1	38	WELLE / SHAFT / ARBRE	5.100-162.0	2
2	PASSCHEI. 8X14X1,0 / WASHER / RONDELLE	7.343-221.0	1	39	WELLE / SHAFT / ARBRE	5.100-161.0	1
3	BLECHTEIL / PLATE / TOLE	5.046-711.0	1	40	HEBEL / LEVER / LEVIER	5.481-169.0	1
4	WELLE / SHAFT / ARBRE	4.100-096.0	1	41	SCHRAUBENFEDER / HELICAL SPRING / RESSORT CYLINDRIQUE	5.332-160.0	1
5	HEBEL / LEVER / LEVIER	5.481-160.0	1	42	SCHEIBE 10,5 / WASHER / RONDELLE	7.312-074.0	1
7	SCHRAUBE M 5X 16 / SCREW / VIS	7.303-039.0	1	43	SPLINT 2,5X 16 / COTTER / GOUPILLE FENDUE	7.316-337.0	1
8	SCHEIBE 5,3 / WASHER / RONDELLE	7.312-278.0	1		<b>VERSION 1</b>		
9	BOLZEN / BOLT / BOULON	5.316-292.0	1	44	SCHNELLBEFESTIGER / QUICK-FASTENER / ATTACHE RAPIDE	6.343-149.0	1
10	GABELKOPF G 6X24 / FORK HEAD / CHAPE	7.462-012.0	1		<b>VERSION 2</b>		
11	S-SCHEIBE 4 / LOCK WASHER / RONDELLE D'ARRET	7.343-203.0	1				
12	6KT-SCHR. M10X 20 / HEXAGONAL HEAD SCREW / VIS HEXAGONAL	7.304-414.0	1				
13	DICHTRING / JOINT RING / BAGUE D'ETANCHEITE	5.363-352.0	2				
14	6KT-MUTTER M 6 / HEXAGON NUT / ECROU HEXAGONAL	7.311-512.0	1				
15	SCHEIBE 6,4 / WASHER / RONDELLE	7.312-291.0	1				
16	LINSENSCHR. M 6X35 / OVAL HEAD SCREW / VIS A TETE BOMBEE	7.306-348.0	1				
17	LINSENSCHR. M 4X 35 / OVAL HEAD SCREW / VIS A TETE BOMBEE	7.306-337.0	1				
18	ANSCHLUSSKLEMME / TERMINAL / BORNE D'ALIMENTATION	6.643-556.0	1				
19	SCHEIBE 4,3 / WASHER / RONDELLE	7.312-281.0	1				
20	6KT-MUTTER M 4 / HEXAGON NUT / ECROU HEXAGONAL	7.311-424.0	1				
21	SCHRAUBE M 3X 8 / SCREW / VIS	7.306-053.0	1				
22	SCHEIBE 3,2 / WASHER / RONDELLE	7.312-280.0	1				
23	SCHNAPPSCHALTER / SWITCH / INTERRUPTEUR	6.631-819.0	1				
24	GEHAEUSE / HOUSING / BOITIER	5.060-523.0	1				
25	SCHILD / DECAL / PLAQUE	5.390-511.0	1				
26	SCHILD KLBZ / DECAL / PLAQUE	5.390-512.0	1				
28	SCHNEIDSCHR. M3X 16 / SELF-TAPPING SCREW / VIS AUTOTARAUEUSE	6.303-014.0	1				
29	SCHNAPPSCHALTER / SWITCH / INTERRUPTEUR	6.631-818.0	1				
30	ISOLIERPLATTE / INSULATING PLATE / PLAQUE ISOLANTE	6.631-851.0	1				
31	STOPFEN / PLUG / BOUCHON	5.132-010.0	2				
32	ZYL.SCHR. M 4X 12 / CHEESE HEAD SCREW / VIS A TETE CYLINDR.	7.306-628.0	2				
33	HEBEL / LEVER / LEVIER	5.481-161.0	1				
34	S-SCHEIBE 7 / LOCK WASHER / RONDELLE D'ARRET	7.343-300.0	2				
35	BUCHSE / BUSH / DOUILLE	5.112-495.0	2				
37	BUEGEL / STRAP / ETRIER	4.034-084.0	1				

"=> xxxxxx" = bis Werknummer / up to serial No. / jusqu' au No. de fabr. / "xxxxxx =>" = ab Werknummer / from serial No. / a partir du No. de fabr. /



Symbolbeschreibung siehe M16 / symbol description see M16 / désignation de système voir M16 /

GRUPPE: 6.2 STEUERUNG  
 GROUP: 6.2 CONTROL SYSTEM  
 GROUPE: 6.2 COMMANDE

E6

BR 700

POS. ITM. POS.	BENNENNUNG DESCRIPTION DESIGNATION	TEILE-NR. PART-NO. NO.PIECE	STCK QTY. NBR.
1	INSTRUMENTENTAFEL / CONTROL PANEL / TABLEAU DE BORD <b>VERSION 1</b>	6.600-108.0	1
1	INSTRUMENTENTAFEL / CONTROL PANEL / TABLEAU DE BORD <b>VERSION 2</b>	6.600-175.0	1
2	SCHLUESSELSCHALTER / KEY SWITCH / BOUTON A CLE	6.600-111.0	1
2	SCHLUESSEL ERSATZ / KEY / CLE <b>/ 6.600-111.0</b>	6.600-195.0	1
3	NOTAUS-TASTER / EMERGENCY-CALIPERS / BOUTON-POUS. D'URGENCE	6.600-113.0	1
4	ELEKTRONIKPLATINE / ELECTRIC BOARD / ELECTRONIQUE DISQUE	6.600-115.0	1
5	MOOSGUMMISCHNUR / CELLULAR RUBBER CORD / CORDON EN CAOUTCHOUC CELL <b>ALS METERWARE BESTELLEN/TO ORDER AS CUT GOODS/COMMANDE COMME MARCHANDISE AU METRE</b>	6.273-082.0	1
6	6KT-MUTTER M 5 / HEXAGON NUT / ECROU HEXAGONAL	7.311-421.0	8
7	SCHRAUBENFEDER / HELICAL SPRING / RESSORT CYLINDRIQUE	5.332-001.0	2
9	TASTER / CALIPERS / BOUTON POUSSOIR	5.324-030.0	1
10	ACHSE / AXLE / ESSIEU	5.105-206.0	1
11	S-SCHEIBE 4 / LOCK WASHER / RONDELLE D'ARRET	7.343-203.0	2
12	SCHEIBE B 5,3 / WASHER / RONDELLE	7.312-002.0	2
13	BETRIEBSSTUNDENZAE. / HOUR METRE / COMPTEUR HORRAIRE <b>VERSION 2</b>	6.682-387.0	1
14	FL.RD.SCHR. M 8X 40 / SAUCER-HEAD SCREW / BOULON A TETE BOMBEE	7.303-186.0	2
15	SCHEIBE B 8,4 / WASHER / RONDELLE	7.312-004.0	2
16	6KT-MUTTER M 8 / HEXAGON NUT / ECROU HEXAGONAL	7.311-427.0	2
17	DISTANZBOLZEN / DISTANCE PIN / BOULON D'ECARTEMENT	5.316-385.0	5
	<b>AUSFUEHRUNG BEACHTEN!/PAY ATTENTION TO VERSION!/IL FAUT CONSIDERER LA VERSION!</b>		
18	SCHALTELEMENT / CIRCUIT ELEMENT / ELEMENT DE CIRCUIT	6.600-112.0	1
19	SCHALTELEMENT / CIRCUIT ELEMENT / ELEMENT DE CIRCUIT	6.600-114.0	1
20	HUELSE / SLEEVE / DOUILLE	6.600-110.0	7
	<b>AUSFUEHRUNG BEACHTEN!/PAY ATTENTION TO VERSION!/IL FAUT CONSIDERER LA VERSION!</b>		

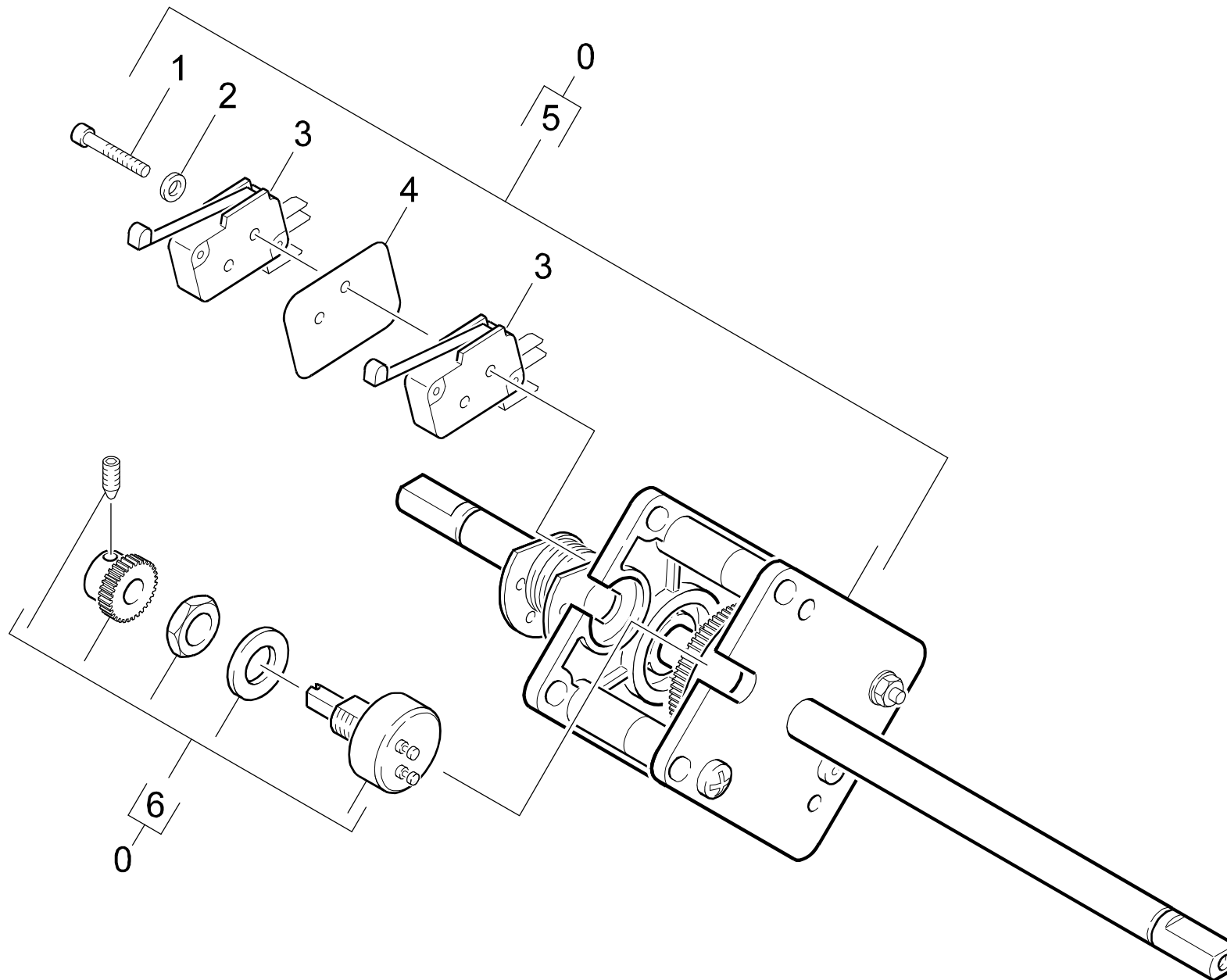
"=> xxxxxx" = bis Werknummer / up to serial No. / jusqu' au No. de fabr. / "xxxxxx =>" = ab Werknummer / from serial No. / a partir du No. de fabr. /



GRUPPE: 6.3 SCHALTER -FAHRSTEU.  
GROUP: 6.3 SWITCH  
GRUPPE: 6.3 INTERRUPTEUR

F6

BR 700



Symbolbeschreibung siehe M16 / symbol description see M16 / désignation de système voir M16 /

GRUPPE: 6.3 SCHALTER -FAHRSTEU.

GROUP: 6.3 SWITCH

GRUPPE: 6.3 INTERRUPTEUR

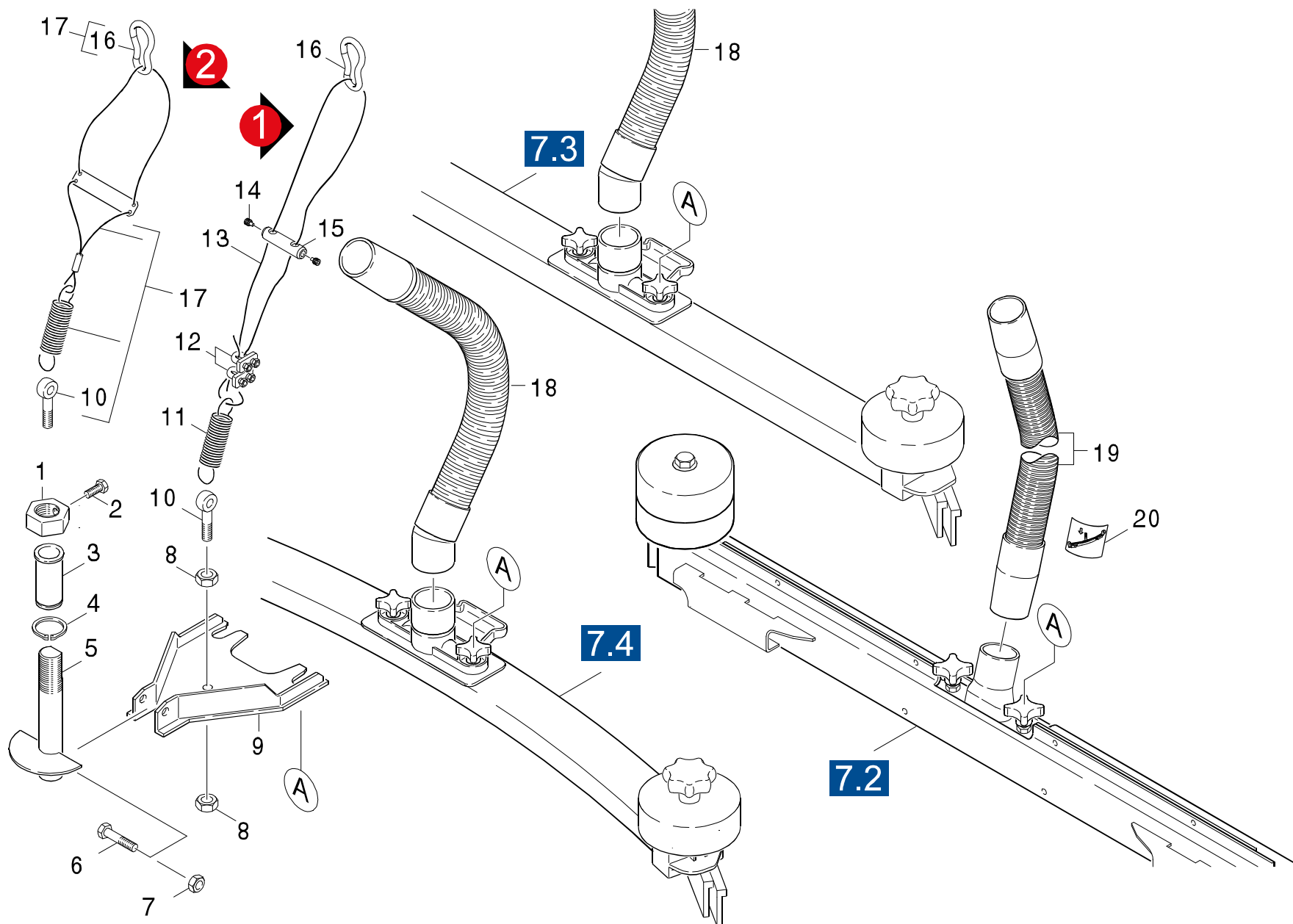
**G6**

**BR 700**

POS.	BENNENNUNG	TEILE-NR.	STCK
ITM.	DESCRIPTION	PART-NO.	QTY.
POS.	DESIGNATION	NO.PIECE	NBR.
0	SCHALTER / SWITCH / INTERRUPTEUR	4.744-098.0	1
1	SCHRAUBE M 2X 20 / SCREW / VIS	7.306-045.0	2
2	SCHEIBE A2,7 / WASHER / RONDELLE	7.312-053.0	2
3	SCHNAPPSCHALTER / SWITCH / INTERRUPTEUR	6.631-816.0	2
4	ISOLIERPLATTE / INSULATING PLATE / PLAQUE ISOLANTE	6.631-850.0	1
5	ERSATZTEILSET / SPARE PARTS KIT / KIT DE PIECES	2.884-021.0	1
6	ERSATZTEILSET / SPARE PARTS KIT / KIT DE PIECES	2.884-022.0	1

"=> xxxxxx" = bis Werknummer / up to serial No. / jusqu' au No. de fabr. / "xxxxxx =>" = ab Werknummer / from serial No. / a partir du No. de fabr. /

**GRUPPE: 7.0 SAUGEINRICHTUNG**  
**GROUP: 7.0 SUCTION PART**  
**GRUPPE: 7.0 INSTALLATION D'ASPIRATION**



Symbolbeschreibung siehe M16 / symbol description see M16 / désignation de système voir M16 /

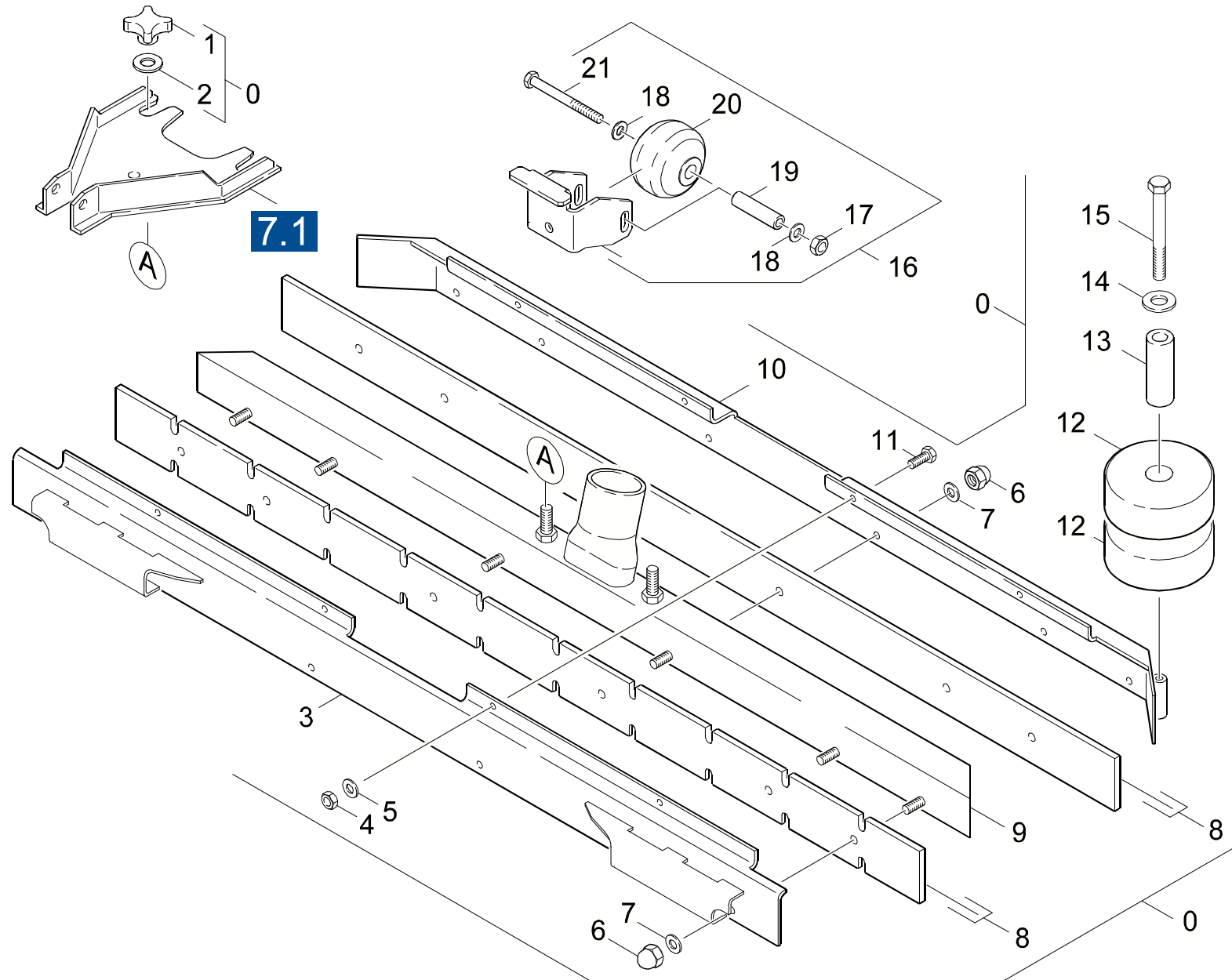
GRUPPE: 7.1 SAUGBALKEN ANHEBUNG  
GROUP: 7.1 SUCTION PART  
GROUPE: 7.1 INSTAL. D'ASPIRATION

C7

BR 700

POS. ITM. POS.	BENNENNUNG DESCRIPTION DESIGNATION	TEILE-NR. PART-NO. NO.PIECE	STCK QTY. NBR.
1	6KT-MUTTER / HEXAGON NUT / ECROU HEXAGONAL	5.311-185.0	1
2	SCHRAUBE M 6X 16 / SCREW / VIS	7.306-193.0	1
3	BUCHSE / BUSH / DOUILLE	5.112-497.0	1
4	S-RING 35X1,5 / SPRING CLIP / CIRCLIP	7.343-011.0	1
5	SAEULE KPL. / COLUMN / COLONNE	4.054-101.0	1
6	6KT-SCHR. M 8X 45 / HEXAGONAL HEAD SCREW / VIS HEXAGONAL	7.304-107.0	1
7	6KT-MUTTER M 8 / HEXAGON NUT / ECROU HEXAGONAL	7.311-427.0	1
8	6KT-MUTTER M 8 / HEXAGON NUT / ECROU HEXAGONAL	7.311-224.0	2
9	BLECHTEIL / PLATE / TOLE	5.046-799.0	1
10	AUGENSCHR M 8X 40 / SCREW / BOULON	7.303-259.0	1
11	ZUGFEDER / EXTENSION SPRING / RESSORT DE TRACTION	6.330-089.0	1
12	SEILKLEMME D 3 / ROPE CLAMP / PINCE	6.431-019.0	2
13	SEIL / ROPE / CABLE	6.431-119.0	1
	<b>ALS METERWARE BESTELLEN/TO ORDER AS CUT GOODS/COMMANDE COMME MARCHANDISE AU METRE</b>		
14	GEW.STIFT M 5X 6 / THREADED PIN / VIS SANS TETE	7.307-409.0	2
15	STREBE / STAY / ENTRETOISE	5.055-138.0	1
16	KARABINERHAKEN / CARABINE SWIVEL / MOUSQUETON	6.431-121.0	1
17	SEIL / ROPE / CABLE	4.172-013.0	1
18	SAUGSCHLAUCH DN 38 / SUCTION HOSE / FLEXIBLE D'ASPIRATION	6.390-228.0	1
	<b>/ 4.777-030.0 / -031.0</b>		
19	SAUGSCHLAUCH DN38 / SUCTION HOSE / FLEXIBLE D'ASPIRATION	6.389-848.0	1
	<b>/ 4.777-021.0</b>		
20	SCHILD SAUGBALKEN / DECAL / PLAQUE	5.382-751.0	1

"=> xxxxxx" = bis Werknummer / up to serial No. / jusqu' au No. de fabr. / "xxxxxx =>" = ab Werknummer / from serial No. / a partir du No. de fabr. /



Symbolbeschreibung siehe M16 / symbol description see M16 / désignation de système voir M16 /

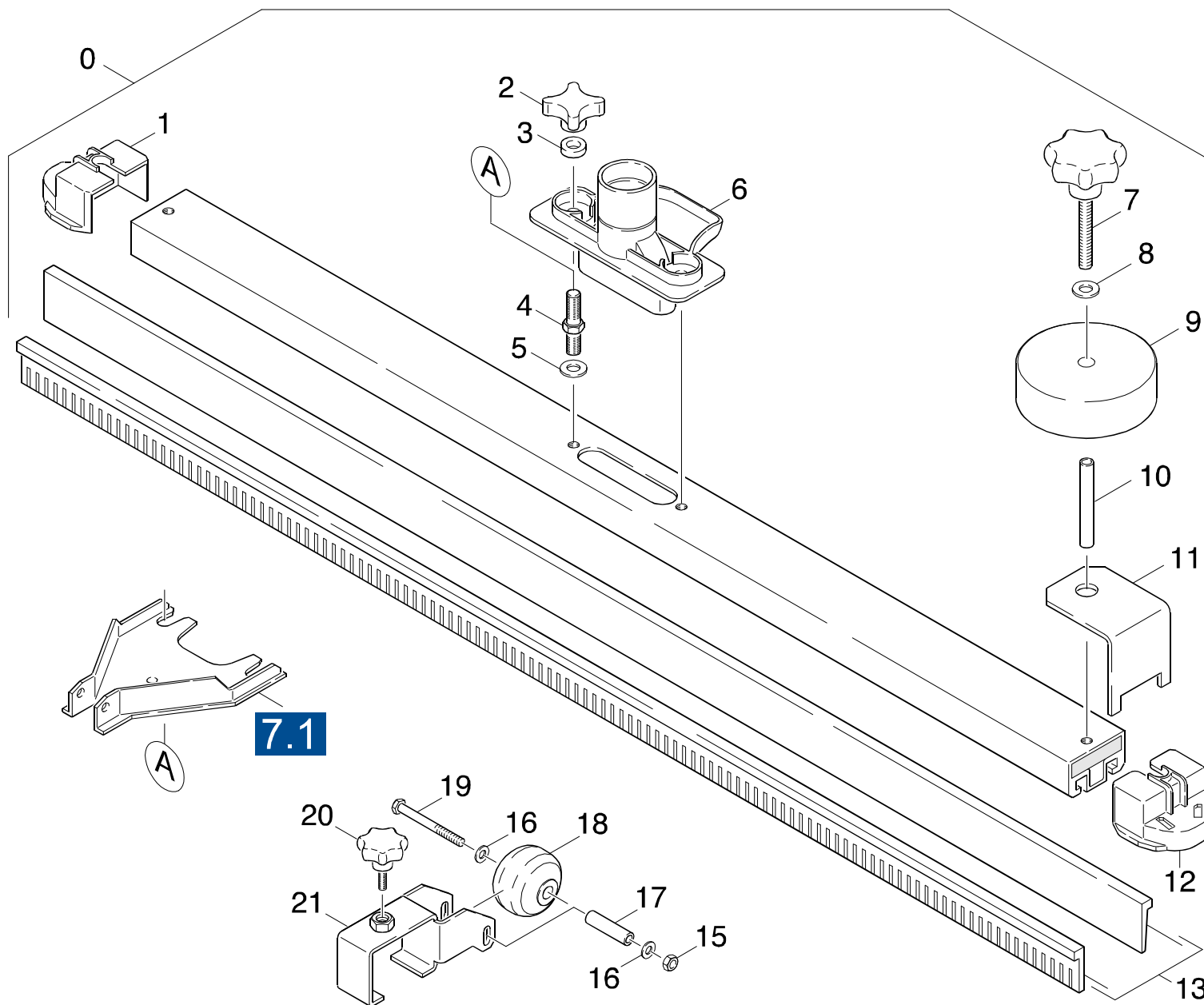
GRUPPE: 7.2 SAUGBALKEN  
 GROUP: 7.2 SUCTION PART  
 GROUPE: 7.2 INSTAL. D'ASPIRATION

**E7**

**BR 700**

POS. ITM. POS.	BENNENUNG DESCRIPTION DESIGNATION	TEILE-NR. PART-NO. NO.PIECE	STCK QTY. NBR.
0	SAUGBALKEN / SUCTION PART / INSTAL. D'ASPIRATION	4.777-021.0	1
1	KREUZGRIFF / STAR HANDLE / POIGNEE EN ETOILE	6.321-133.0	2
2	SCHEIBE A 11 / WASHER / RONDELLE	7.312-080.0	2
3	SPANNTEIL / CLAMP ELEMENT / PIECE DE SERRAGE	4.263-020.0	1
4	6KT-MUTTER M 5 / HEXAGON NUT / ECROU HEXAGONAL	7.311-421.0	4
5	SCHEIBE B 5,3 / WASHER / RONDELLE	7.312-002.0	4
6	HUTMUTTER M 6 / CAP NUT / ECROU BORGNE	7.311-380.0	12
7	SCHEIBE B 6,4 / WASHER / RONDELLE	7.312-003.0	12
8	GUMMILIPPE (SATZ) / RUBBER LIP / LEVRE CAOUTCHOUC <b>GRAU/GREY/GRIS</b>	6.273-136.0	1
8	GUMMILIPPE (SATZ) / RUBBER LIP / LEVRE CAOUTCHOUC <b>T=5MMBRAUN/BROWN/MARRON</b>	6.273-137.0	1
8	GUMMILIPPE (SATZ) / RUBBER LIP / LEVRE CAOUTCHOUC <b>T=4MMBRAUN/BROWN/MARRON</b>	6.273-161.0	1
9	SAUGBALKEN / SUCTION PART / INSTAL. D'ASPIRATION	4.777-022.0	1
10	SPANNTEIL / CLAMP ELEMENT / PIECE DE SERRAGE	4.263-018.0	1
11	6KT-SCHR. M 5X 16 / HEXAGONAL HEAD SCREW / VIS HEXAGONAL	7.304-372.0	4
12	ROLLE / ROLLER / ROULETTE	5.515-096.0	4
13	ROHR / PIPE / TUYAU	5.028-749.0	2
14	SCHEIBE B 8,4 / WASHER / RONDELLE	7.312-004.0	2
15	6KT-SCHR. M 8X 90 / HEXAGONAL HEAD SCREW / VIS HEXAGONAL	7.304-099.0	2
16	ABS ABSTUETZRAEDER / ADD-ON KIT / KIT PORTEE	2.638-672.0	1
17	6KT-MUTTER M 6 / HEXAGON NUT / ECROU HEXAGONAL	7.311-422.0	1
18	SCHEIBE B 6,4 / WASHER / RONDELLE	7.312-026.0	2
19	ACHSE / AXLE / ESSIEU	5.105-245.0	1
20	RAD D.50 / WHEEL / ROUE	5.515-101.0	1
21	SCHRAUBE M 6X 50 / SCREW / VIS	7.306-199.0	1

"=> xxxxxx" = bis Werknummer / up to serial No. / jusqu' au No. de fabr. / "xxxxxx =>" = ab Werknummer / from serial No. / a partir du No. de fabr. /



Symbolbeschreibung siehe M16 / symbol description see M16 / désignation de système voir M16 /



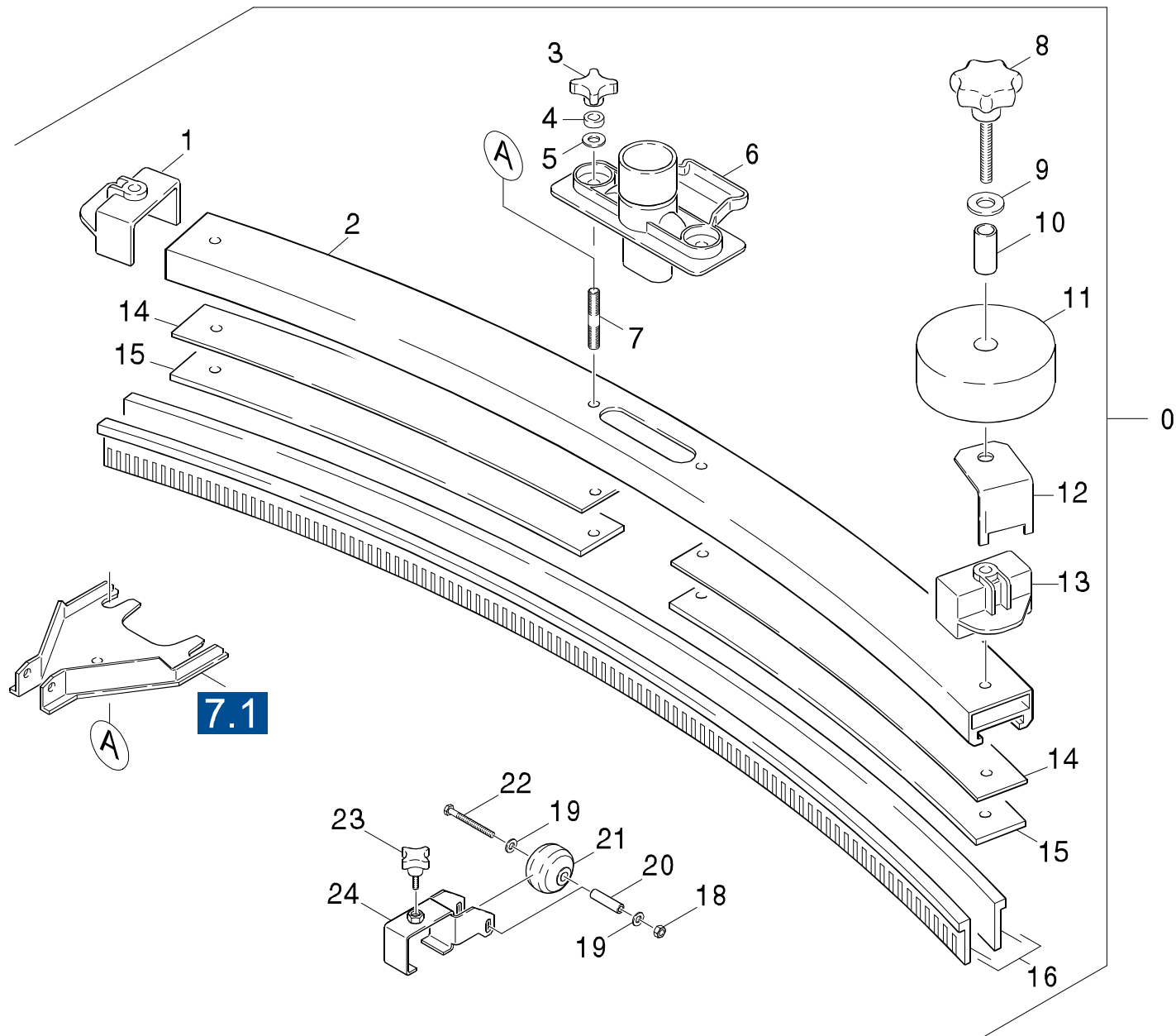
GRUPPE: 7.3 SAUGBALKEN GERADE  
 GROUP: 7.3 SUCTION PART  
 GROUPE: 7.3 INSTAL. D'ASPIRATION

**G7**

**BR 700**

POS. ITM. POS.	BENNENNUNG DESCRIPTION DESIGNATION	TEILE-NR. PART-NO. NO.PIECE	STCK QTY. NBR.
0	SAUGBALKEN GERADE / SUCTION PART / INSTAL. D'ASPIRATION	4.777-030.0	1
1	ENDSTUECK RECHTS / TAIL PIECE / TRONCON	5.031-482.0	1
2	KREUZGRIFF / STAR HANDLE / POIGNEE EN ETOILE	6.321-133.0	1
3	SCHEIBE A 11 / WASHER / RONDELLE	7.312-080.0	2
4	GEWINDEBOLZEN / PIN / BOULON TARAUDE	5.308-057.0	2
5	SCHEIBE 8,4 / WASHER / RONDELLE	7.312-277.0	2
6	SAUGSTUTZEN / CONNECTING PIECE / TUBULURE D'ASPIRATION	5.031-464.0	1
7	STERNGRIFF M8X60 / CONTROL KNOB / POIGNEE-ETOILE	6.321-147.0	2
8	SCHEIBE B 8,4 / WASHER / RONDELLE	7.312-004.0	2
9	ROLLE / ROLLER / ROULETTE	5.515-096.0	2
10	ROHR / PIPE / TUYAU	5.029-469.0	2
11	WINKEL / ANGLE / ANGLE	5.017-136.0	2
12	ENDSTUECK LINKS / TAIL PIECE / TRONCON	5.031-465.0	1
13	GUMMILIPPE (SATZ) / RUBBER LIP / LEVRE CAOUTCHOUC	6.273-171.0	1
13	GUMMILIPPE (SATZ) / RUBBER LIP / LEVRE CAOUTCHOUC	6.273-172.0	1
	<b>OELFEST/OIL RESISTANT/RESISTANT # L'HUILE</b>		
15	6KT-MUTTER M 6 / HEXAGON NUT / ECROU HEXAGONAL	7.311-422.0	2
16	SCHEIBE B 6,4 / WASHER / RONDELLE	7.312-026.0	4
17	ACHSE / AXLE / ESSIEU	5.105-245.0	2
18	RAD D.50 / WHEEL / ROUE	5.515-101.0	2
19	SCHRAUBE M 6X 50 / SCREW / VIS	7.306-199.0	2
20	GRIFF M6 X 20 / HANDLE / POIGNEE	6.321-069.0	2
21	HALTER LAUFROLLE / BRACKET / FIXATION	4.042-871.0	2

"=> xxxxxx" = bis Werknummer / up to serial No. / jusqu' au No. de fabr. / "xxxxxx =>" = ab Werknummer / from serial No. / a partir du No. de fabr. /



Symbolbeschreibung siehe M16 / symbol description see M16 / désignation de système voir M16 /

GRUPPE: 7.4 SAUGBALKEN GEBOGEN  
 GROUP: 7.4 SUCTION PART  
 GROUPE: 7.4 INSTAL. D'ASPIRATION

17

BR 700

POS. ITM. POS.	BENNENUNG DESCRIPTION DESIGNATION	TEILE-NR. PART-NO. NO.PIECE	STCK QTY. NBR.
0	SAUGBALKEN GEBOGEN / SUCTION PART / INSTAL. D'ASPIRATION	4.777-031.0	1
1	ENDSTUECK RECHTS / TAIL PIECE / TRONCON	5.031-482.0	1
2	PROFIL SAUGBALKEN / PROFILE / PROFILE	5.031-572.0	1
3	KREUZGRIFF / STAR HANDLE / POIGNEE EN ETOILE	6.321-133.0	2
4	SCHEIBE A 11 / WASHER / RONDELLE	7.312-080.0	2
5	SCHEIBE 8,4 / WASHER / RONDELLE	7.312-277.0	2
6	SAUGSTUTZEN / CONNECTING PIECE / TUBULURE D'ASPIRATION	5.031-464.0	1
7	GEWINDEBOLZEN / PIN / BOULON TARAUDE	5.308-057.0	2
8	STERNGRIFF M8X60 / CONTROL KNOB / POIGNEE-ETOILE	6.321-147.0	2
9	SCHEIBE B 8,4 / WASHER / RONDELLE	7.312-004.0	2
10	ROHR / PIPE / TUYAU	5.029-469.0	2
11	ROLLE / ROLLER / ROULETTE	5.515-096.0	2
12	WINKEL / ANGLE / ANGLE	5.017-136.0	2
13	ENDSTUECK LINKS / TAIL PIECE / TRONCON	5.031-465.0	1
14	EINLEGETEIL GEBOGEN / INSERT / PIECE D'INSERTION	5.401-244.0	2
15	EINLEGETEIL GEBOGEN / INSERT / PIECE D'INSERTION	5.401-243.0	2
16	GUMMILIPPE (SATZ) / RUBBER LIP / LEVRE CAOUTCHOUC	6.273-171.0	1
16	GUMMILIPPE (SATZ) / RUBBER LIP / LEVRE CAOUTCHOUC	6.273-172.0	1
	<b>OELFEST/OIL RESISTANT/RESISTANT # L'HUILE</b>		
18	6KT-MUTTER M 6 / HEXAGON NUT / EROU HEXAGONAL	7.311-422.0	2
19	SCHEIBE B 6,4 / WASHER / RONDELLE	7.312-026.0	4
20	ACHSE / AXLE / ESSIEU	5.105-245.0	2
21	RAD D.50 / WHEEL / ROUE	5.515-101.0	2
22	SCHRAUBE M 6X 50 / SCREW / VIS	7.306-199.0	2
23	GRIFF M6 X 20 / HANDLE / POIGNEE	6.321-069.0	2
24	HALTER LAUFROLLE / BRACKET / FIXATION	4.042-871.0	2

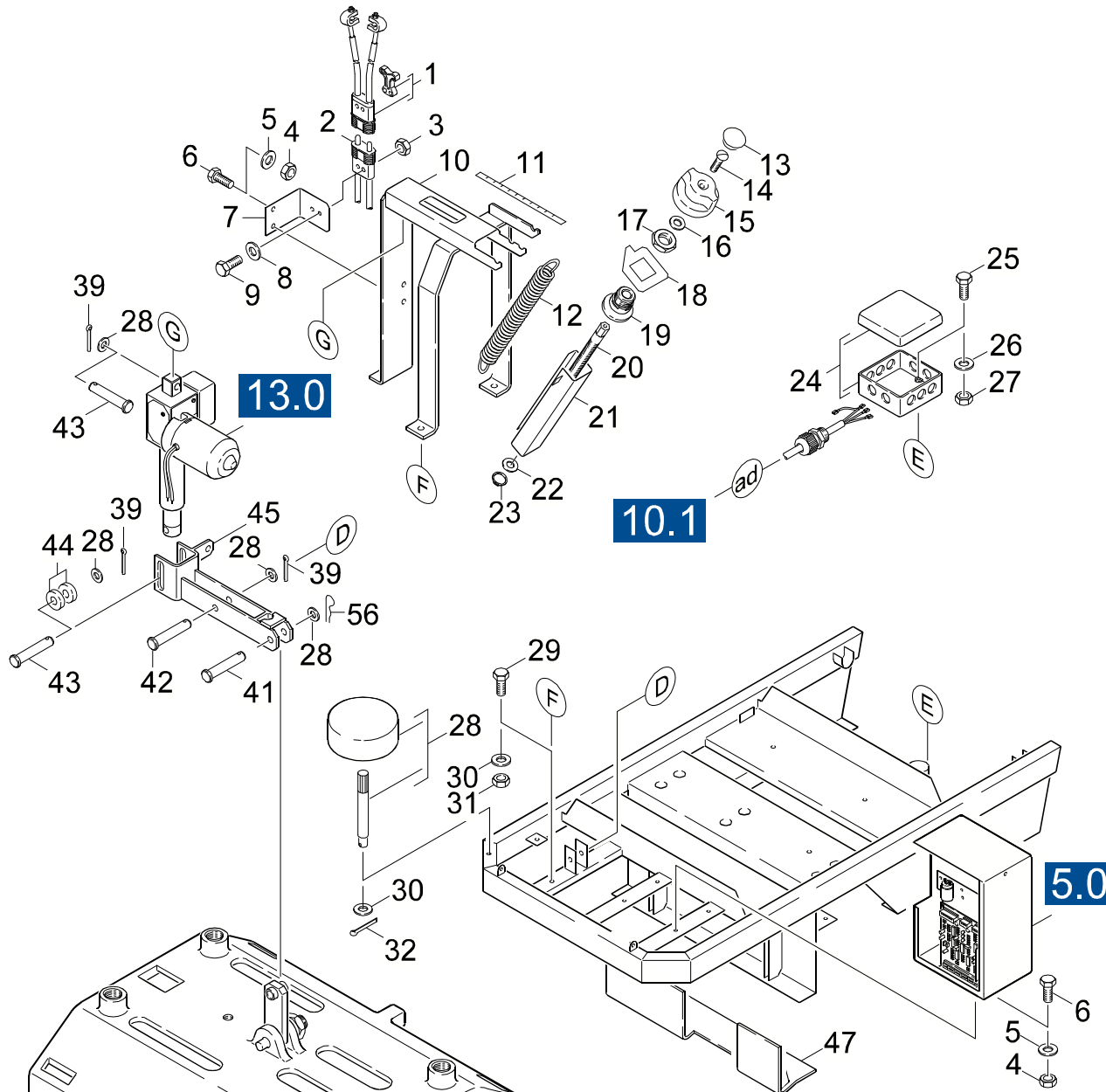
"=> xxxxxx" = bis Werknummer / up to serial No. / jusqu' au No. de fabr. / "xxxxxx =>" = ab Werknummer / from serial No. / a partir du No. de fabr. /

GRUPPE: 8.0 ARBEITSKOPF -AUFHAE  
GROUP: 8.0 WORKING HEAD  
GRUPPE: 8.0 TETE DE TRAVAIL

**A8**

**BR 700**

**GRUPPE: 8.0 ARBEITSKOPF -AUFHAE**  
**GROUP: 8.0 WORKING HEAD**  
**GRUPPE: 8.0 TETE DE TRAVAIL**



Symbolbeschreibung siehe M16 / symbol description see M16 / désignation de système voir M16 /

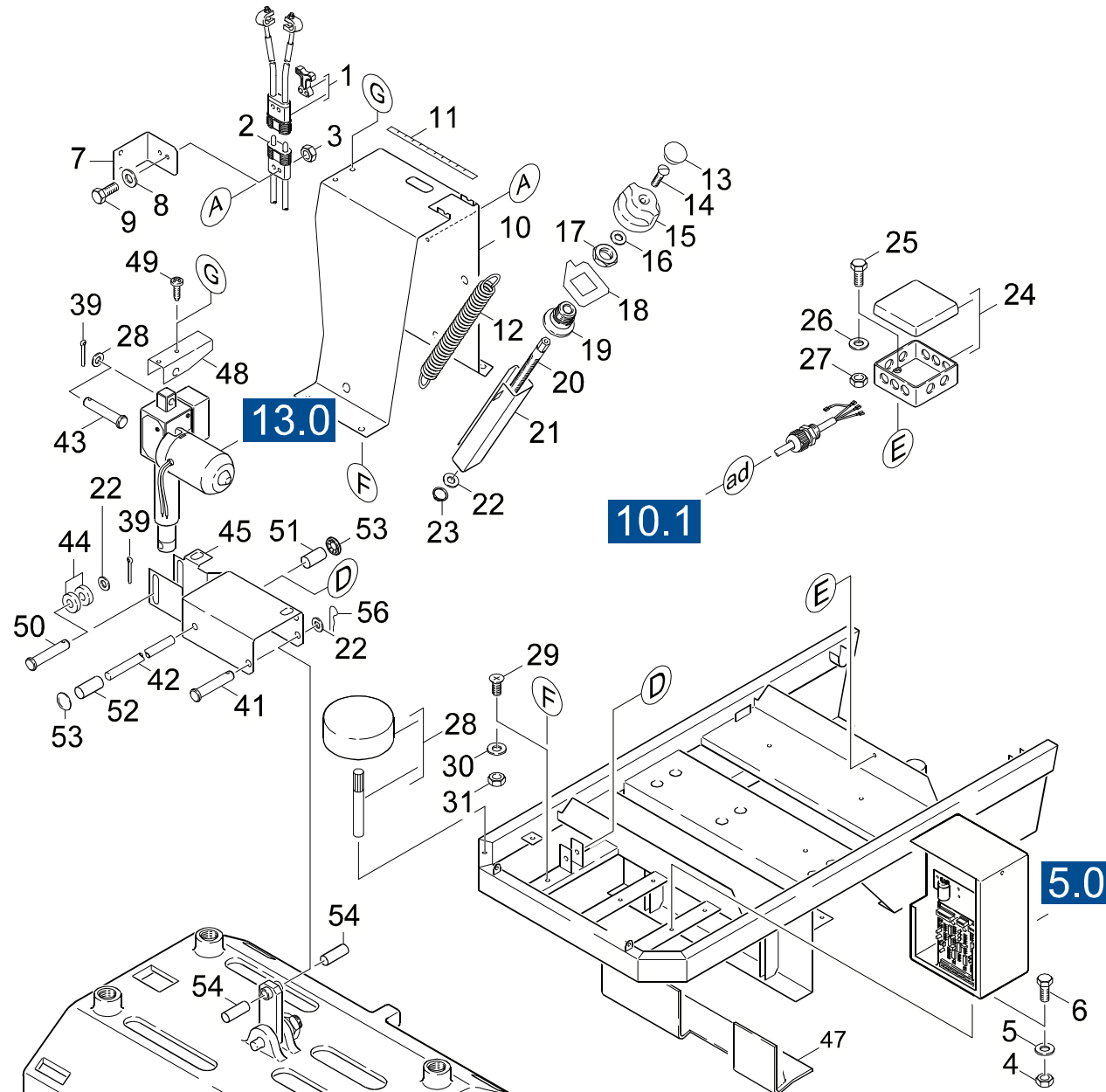
GRUPPE: 8.1 ARBEITSKOPF -AUFHAE / VERSION 1 /  
 GROUP: 8.1 WORKING HEAD / VERSION 1 /  
 GROUPE: 8.1 TETE DE TRAVAIL / VERSION 1 /

C8

BR 700

POS. ITM. POS.	BENNENNUNG DESCRIPTION DESIGNATION	TEILE-NR. PART-NO. NO.PIECE	STCK QTY. NBR.	POS. ITM. POS.	BENNENNUNG DESCRIPTION DESIGNATION	TEILE-NR. PART-NO. NO.PIECE	STCK QTY. NBR.
1	ANSCHLUSSKABEL / CONNECTION CABLE / CABLE	6.647-619.0	1	42	BOLZEN B 10,0X 55 / BOLT / BOULON	7.316-209.0	1
2	STECKER 2POL. 80A / PLUG / FICHE	6.646-319.0	1	43	BOLZEN B 10,0X 65 / BOLT / BOULON	7.316-225.0	1
3	6KT-MUTTER M 5 / HEXAGON NUT / ECROU HEXAGONAL	7.311-002.0	2	44	SCHEIBE / WASHER / RONDELLE	5.115-636.0	2
4	6KT-MUTTER M 6 / HEXAGON NUT / ECROU HEXAGONAL	7.311-003.0	5	45	HEBEL / LEVER / LEVIER	4.481-090.0	1
5	SCHEIBE B 6,4 / WASHER / RONDELLE	7.312-003.0	5	47	FUEHRUNGSWINKEL / ANGLE / COUDE	4.021-104.0	1
6	6KT-SCHR. M 6X 12 / HEXAGONAL HEAD SCREW / VIS HEXAGONAL	7.304-382.0	5	50	BOLZEN B 10,0X 60 / BOLT / BOULON	7.316-226.0	1
7	WINKEL / ANGLE / ANGLE	5.019-312.0	1	56	FEDERSTECKER 2,5 / SPRING CLIP / FICHE ELECTRIQUE	7.316-454.0	1
8	SCHEIBE B 5,3 / WASHER / RONDELLE	7.312-002.0	2				
9	SCHRAUBE M 5X 30 / SCREW / VIS	7.306-083.0	2				
10	HALTERUNG / BRACKET / FIXATION	4.672-043.0	1				
11	SCHILD SKALA / DECAL / PLAQUE	5.390-525.0	1				
12	ZUGFEDER / EXTENSION SPRING / RESSORT DE TRACTION	5.332-374.0	1				
13	STOPFEN / PLUG / BOUCHON	5.132-038.0	1				
14	SENKSCHR. M 5X 12 / FLAT HEADED SCREW / VIS A TETE CONIQUE	7.305-028.0	1				
15	GRIFF / HANDLE / POIGNEE	5.321-486.0	1				
16	SCHEIBE / WASHER / RONDELLE	5.115-641.0	1				
17	MUTTER / NUT / ECROU	5.310-107.0	1				
18	BLECH / PLATE / TOLE	5.001-458.0	1				
19	FORMSCHRAUBE / SCREW / VIS	5.305-239.0	1				
20	FORMSCHRAUBE / SCREW / VIS	5.305-238.0	1				
21	BLECHTEIL / PLATE / TOLE	5.046-843.0	1				
22	SCHEIBE B 10,5 / WASHER / RONDELLE	7.312-005.0	5				
23	S-SCHEIBE 8 / LOCK WASHER / RONDELLE D'ARRET	7.343-303.0	1				
24	VERTEILERKASTEN / DISTRIBUTION BOX / BOITE DE DISTRIBUTION	6.645-023.0	1				
25	LINSENSCHR. M 4X 16 / OVAL HEAD SCREW / VIS A TETE BOMBEE	7.306-300.0	2				
26	SCHEIBE A 4,3 / WASHER / RONDELLE	7.312-001.0	2				
27	6KT-MUTTER M 4 / HEXAGON NUT / ECROU HEXAGONAL	7.311-001.0	2				
28	ROLLE / ROLLER / ROULETTE	4.515-029.0	2				
29	6KT-SCHR. M 8X 16 / HEXAGONAL HEAD SCREW / VIS HEXAGONAL	7.304-395.0	2				
30	SCHEIBE B 8,4 / WASHER / RONDELLE	7.312-004.0	2				
31	6KT-MUTTER M 8 / HEXAGON NUT / ECROU HEXAGONAL	7.311-004.0	2				
32	SPLINT 2,5X 16 / COTTER / GOUPILLE FENDUE	7.316-337.0	1				
39	SPLINT 3,2X 20 / COTTER / GOUPILLE FENDUE	7.316-342.0	3				
41	BOLZEN B 10,0X 45 / BOLT / BOULON	7.316-206.0	1				

"=> xxxxxx" = bis Werknummer / up to serial No. / jusqu' au No. de fabr. / "xxxxxx =>" = ab Werknummer / from serial No. / a partir du No. de fabr. /



Symbolbeschreibung siehe M16 / symbol description see M16 / désignation de système voir M16 /

GRUPPE: 8.2 ARBEITSKOPF -AUFHAE / VERSION 2 /  
 GROUP: 8.2 WORKING HEAD / VERSION 2 /  
 GROUPE: 8.2 TETE DE TRAVAIL / VERSION 2 /

E8

BR 700

POS. ITM. POS.	BENNENNUNG DESCRIPTION DESIGNATION	TEILE-NR. PART-NO. NO.PIECE	STCK QTY. NBR.	POS. ITM. POS.	BENNENNUNG DESCRIPTION DESIGNATION	TEILE-NR. PART-NO. NO.PIECE	STCK QTY. NBR.
1	ANSCHLUSSKABEL / CONNECTION CABLE / CABLE	6.647-619.0	1	44	SCHEIBE / WASHER / RONDELLE	5.115-636.0	2
2	STECKER 2POL. 80A / PLUG / FICHE	6.646-319.0	1	45	HEBEL / LEVER / LEVIER	5.481-186.0	1
3	6KT-MUTTER M 5 / HEXAGON NUT / ECROU HEXAGONAL	7.311-002.0	2	47	FUEHRUNGSWINKEL / ANGLE / COUDE	4.021-104.0	1
4	6KT-MUTTER M 6 / HEXAGON NUT / ECROU HEXAGONAL	7.311-003.0	3	48	HALTER / BRACKET / FIXATION	5.042-934.0	1
5	SCHEIBE B 6,4 / WASHER / RONDELLE	7.312-003.0	3	49	SCHRAUBE M 6X 12 / SCREW / VIS	6.303-134.0	2
6	SCHRAUBE M 6X 16 / SCREW / VIS	7.306-090.0	3	50	BOLZEN B 10,0X 60 / BOLT / BOULON	7.316-226.0	1
7	WINKEL / ANGLE / ANGLE	5.019-312.0	1	51	ROHR / PIPE / TUYAU	5.028-894.0	1
8	SCHEIBE B 5,3 / WASHER / RONDELLE	7.312-002.0	2	52	ROHR / PIPE / TUYAU	5.028-895.0	1
9	SCHRAUBE M 5X 30 / SCREW / VIS	7.306-083.0	2	53	SCHNELLBEFESTIGER / QUICK-FASTENER / ATTACHE RAPIDE	6.343-127.0	2
10	HALTERUNG / BRACKET / FIXATION	5.672-043.0	1	54	HUELSE / SLEEVE / DOUILLE	5.110-597.0	2
11	SCHILD SKALA / DECAL / PLAQUE	5.390-525.0	1	56	FEDERSTECKER 2,5 / SPRING CLIP / FICHE ELECTRIQUE	7.316-454.0	1
12	ZUGFEDER / EXTENSION SPRING / RESSORT DE TRACTION	5.332-374.0	1				
13	STOPFEN / PLUG / BOUCHON	5.132-038.0	1				
14	SENKSCHR. M 5X 12 / FLAT HEADED SCREW / VIS A TETE CONIQUE	7.305-028.0	1				
15	GRIFF / HANDLE / POIGNEE	5.321-486.0	1				
16	SCHEIBE / WASHER / RONDELLE	5.115-641.0	1				
17	MUTTER / NUT / ECROU	5.310-107.0	1				
18	BLECH / PLATE / TOLE	5.001-458.0	1				
19	FORMSCHRAUBE / SCREW / VIS	5.305-239.0	1				
20	FORMSCHRAUBE / SCREW / VIS	5.305-238.0	1				
21	BLECHTEIL / PLATE / TOLE	5.046-843.0	1				
22	SCHEIBE B 10,5 / WASHER / RONDELLE	7.312-005.0	3				
23	S-SCHEIBE 8 / LOCK WASHER / RONDELLE D'ARRET	7.343-303.0	1				
24	VERTEILERKASTEN / DISTRIBUTION BOX / BOITE DE DISTRIBUTION	6.645-023.0	1				
25	LINSENSCHR. M 4X 16 / OVAL HEAD SCREW / VIS A TETE BOMBEE	7.306-300.0	2				
26	SCHEIBE A 4,3 / WASHER / RONDELLE	7.312-001.0	2				
27	6KT-MUTTER M 4 / HEXAGON NUT / ECROU HEXAGONAL	7.311-001.0	2				
28	ROLLE KPL. / ROLLER / ROULETTE	4.515-032.0	2				
29	SENKSCHR. M 8X 16 / FLAT HEADED SCREW / VIS A TETE CONIQUE	7.305-624.0	4				
30	SCHEIBE B 8,4 / WASHER / RONDELLE	7.312-004.0	4				
31	6KT-MUTTER M 8 / HEXAGON NUT / ECROU HEXAGONAL	7.311-004.0	4				
32	SPLINT 2,5X 16 / COTTER / GOUPILLE FENDUE	7.316-337.0	2				
39	SPLINT 3,2X 20 / COTTER / GOUPILLE FENDUE	7.316-342.0	4				
41	BOLZEN B 10,0X120 / BOLT / BOULON	7.316-228.0	1				
42	STANGE / BAR / TIGE	5.107-170.0	1				

"=> xxxxxx" = bis Werknummer / up to serial No. / jusqu' au No. de fabr. / "xxxxxx =>" = ab Werknummer / from serial No. / a partir du No. de fabr. /

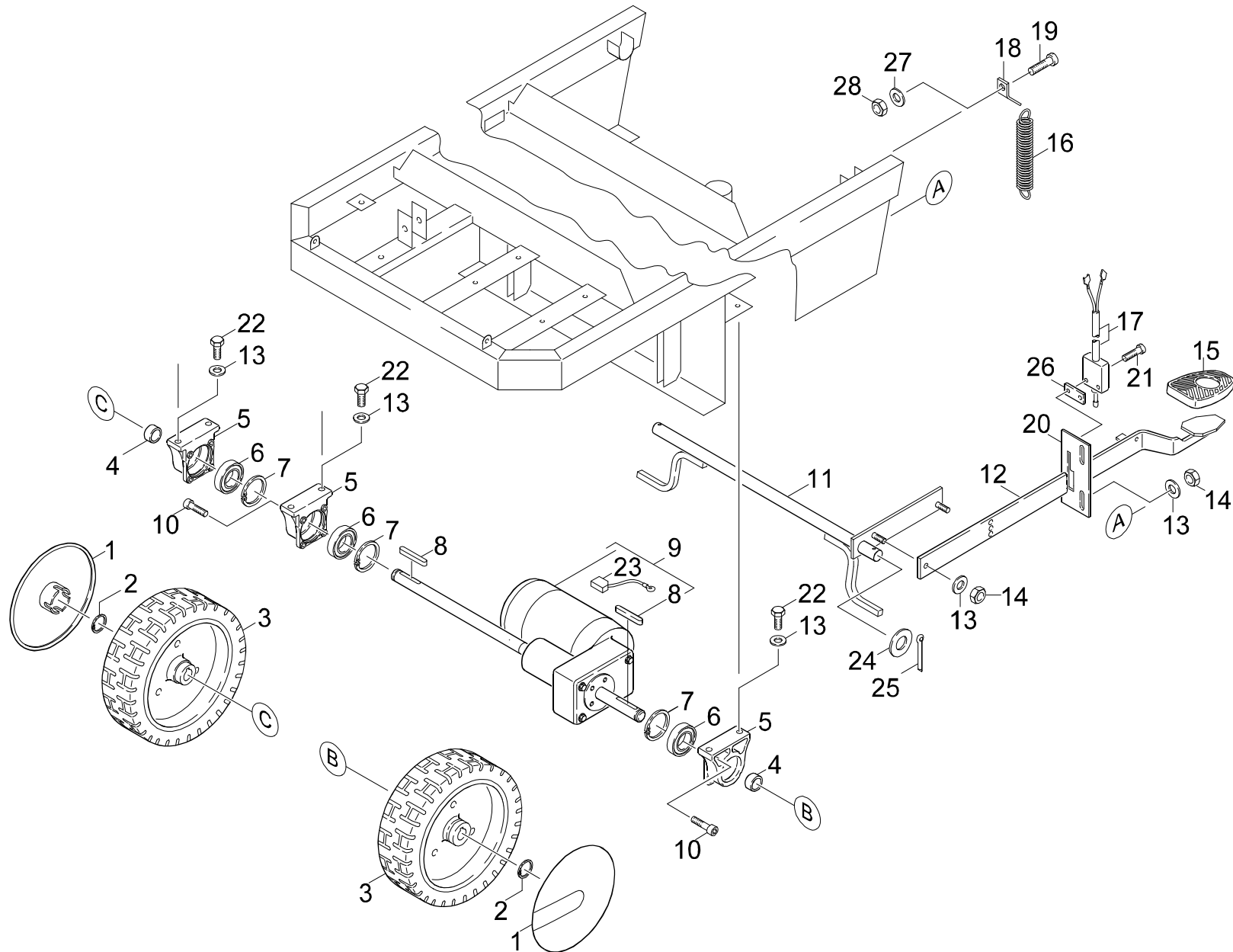


**GRUPPE: 9.0 ANTRIEB**  
**GROUP: 9.0 GEAR**  
**GRUPPE: 9.0 ENTRAINEMENT**

**A9**

**BR 700**

**GRUPPE: 9.0 ANTRIEB**  
**GROUP: 9.0 GEAR**  
**GRUPPE: 9.0 ENTRAINEMENT**



Symbolbeschreibung siehe M16 / symbol description see M16 / désignation de système voir M16 /

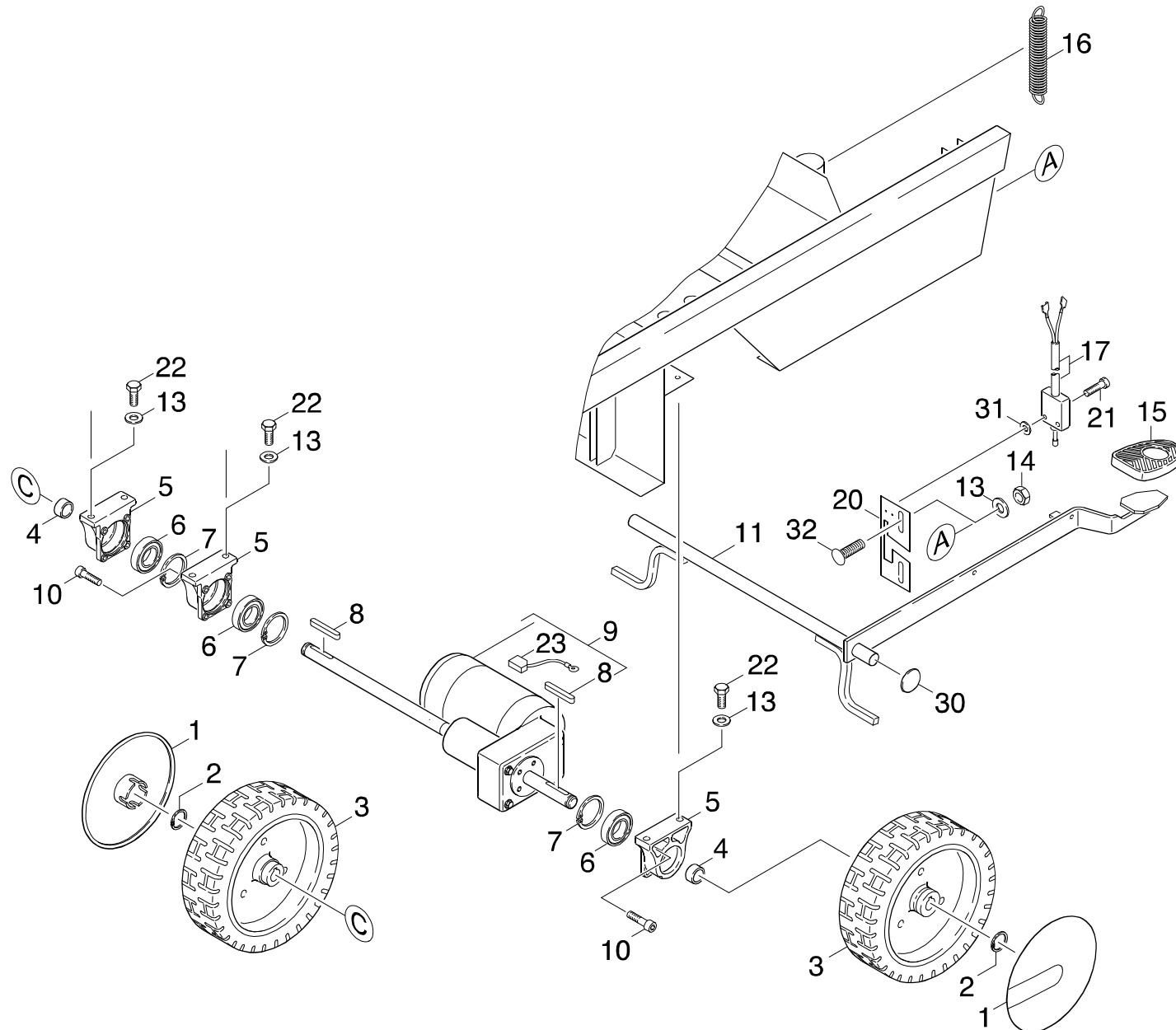
GRUPPE: 9.1 ANTRIEB / VERS. 1 /  
 GROUP: 9.1 GEAR / VERS. 1 /  
 GROUPE: 9.1 ENTRAINEMENT / VERS. 1 /

C9

BR 700

POS. ITM. POS.	BENNENUNG DESCRIPTION DESIGNATION	TEILE-NR. PART-NO. NO.PIECE	STCK QTY. NBR.
1	RADKAPPE / WHEEL CAB / ENJOLIVEUR	6.435-255.0	2
2	S-RING A 20X 1,2 / SPRING CLIP / CIRCLIP	7.343-040.0	4
3	RAD / WHEEL / ROUE	5.515-073.0	2
4	BUCHSE / BUSH / DOUILLE	5.112-496.0	2
5	LAGERBOCK / BEARING BLOCK / SELLE D'APPUI	5.251-023.0	3
6	KUGELLAGER 6304-2RS / BALL BEARING / ROULEMENT A BILLE	7.401-171.0	3
7	S-RING 52X2 / SPRING CLIP / CIRCLIP	7.343-116.0	3
8	PASSFEDER 6X 6X 45 / SPRING / RESSORT D'ADJUSTAGE	7.318-067.0	2
9	GLEICHSTROMMOTOR / DC MOTOR / MOTEUR C.C.	6.613-016.0	1
10	SCHRAUBE M 6X 16 / SCREW / VIS	7.306-090.0	4
11	GESTAENGE / SAFETY ROD / TRINGLES	4.480-011.0	1
12	HEBEL / LEVER / LEVIER	4.481-091.0	1
13	SCHEIBE B 8,4 / WASHER / RONDELLE	7.312-004.0	10
14	6KT-MUTTER M 8 / HEXAGON NUT / ECROU HEXAGONAL	7.311-004.0	4
15	PEDALUEBERZUG / PEDAL COVER / REVETEMENT PEDALE	6.321-046.0	1
16	ZUGFEDER / EXTENSION SPRING / RESSORT DE TRACTION	6.330-088.0	1
17	MIKROSCHALTER / MICRO SWITCH / MICRORUPTEUR	6.631-852.0	1
18	OESE / EAR / OEILLET	5.043-026.0	1
19	ZYL.SCHR. M 6X 40 / CHEESE HEAD SCREW / VIS A TETE CYLINDR.	6.304-039.0	1
20	LASCHE / RETAINER CLIP / ECLISSE	5.004-687.0	1
21	SCHRAUBE M 3X 16 / SCREW / VIS	7.306-054.0	2
22	6KT-SCHR. M 8X 20 / HEXAGONAL HEAD SCREW / VIS HEXAGONAL	7.304-397.0	6
23	KOHLEBUERSTENSATZ / CARBON BRUSH SET / CHARBONS	6.610-201.0	1
24	SCHEIBE B 21 / WASHER / RONDELLE	7.312-018.0	2
25	SPLINT 5,0X 36 / COTTER / GOUPILLE FENDUE	7.316-361.0	2
26	LASCHE / RETAINER CLIP / ECLISSE	5.004-696.0	1
27	SCHEIBE B 6,4 / WASHER / RONDELLE	7.312-003.0	1
28	6KT-MUTTER M 6 / HEXAGON NUT / ECROU HEXAGONAL	7.311-422.0	1

"=> xxxxxx" = bis Werknummer / up to serial No. / jusqu' au No. de fabr. / "xxxxxx =>" = ab Werknummer / from serial No. / a partir du No. de fabr. /



Symbolbeschreibung siehe M16 / symbol description see M16 / désignation de système voir M16 /

GRUPPE: 9.2 ANTRIEB / VERS. 2 /  
 GROUP: 9.2 GEAR / VERS. 2 /  
 GROUPE: 9.2 ENTRAINEMENT / VERS. 2 /

**E9**

**BR 700**

POS. ITM. POS.	BENNENNUNG DESCRIPTION DESIGNATION	TEILE-NR. PART-NO. NO.PIECE	STCK QTY. NBR.
1	RADKAPPE / WHEEL CAB / ENJOLIVEUR	6.435-255.0	2
2	S-RING A 20X 1,2 / SPRING CLIP / CIRCLIP	7.343-040.0	4
3	RAD / WHEEL / ROUE	5.515-073.0	2
4	BUCHSE / BUSH / DOUILLE	5.112-496.0	2
5	LAGERBOCK / BEARING BLOCK / SELLE D'APPUI	5.251-023.0	3
6	KUGELLAGER 6304-2RS / BALL BEARING / ROULEMENT A BILLE	7.401-171.0	3
7	S-RING 52X2 / SPRING CLIP / CIRCLIP	7.343-116.0	3
8	PASSFEDER 6X 6X 45 / SPRING / RESSORT D'ADJUSTAGE	7.318-067.0	2
9	GLEICHSTROMMOTOR / DC MOTOR / MOTEUR C.C.	6.613-016.0	1
10	SCHRAUBE M 6X 16 / SCREW / VIS	7.306-090.0	4
11	GESTAENGE / SAFETY ROD / TRINGLES	4.480-012.0	1
13	SCHEIBE B 8,4 / WASHER / RONDELLE	7.312-004.0	8
14	6KT-MUTTER M 8 / HEXAGON NUT / ECROU HEXAGONAL	7.311-004.0	2
15	PEDALUEBERZUG / PEDAL COVER / REVETEMENT PEDALE	6.321-046.0	1
16	ZUGFEDER / EXTENSION SPRING / RESSORT DE TRACTION	6.330-091.0	1
17	MIKROSCHALTER / MICRO SWITCH / MICRORUPTEUR	6.631-852.0	1
20	LASCHE / RETAINER CLIP / ECLISSE	5.004-717.0	1
21	SCHRAUBE M 3X 16 / SCREW / VIS	7.306-054.0	2
22	6KT-SCHR. M 8X 20 / HEXAGONAL HEAD SCREW / VIS HEXAGONAL	7.304-397.0	6
23	KOHLEBUERSTENSATZ / CARBON BRUSH SET / CHARBONS	6.610-201.0	1
30	SICHERUNGSSCHEIBE / LOCK WASHER / RONDELLE D'ARRET	6.343-122.0	2
31	SCHEIBE 3,2 / WASHER / RONDELLE	7.312-280.0	2
32	FL.RD.SCHR. M 8X 16 / SAUCER-HEAD SCREW / BOULON A TETE BOMBEE	7.303-193.0	2

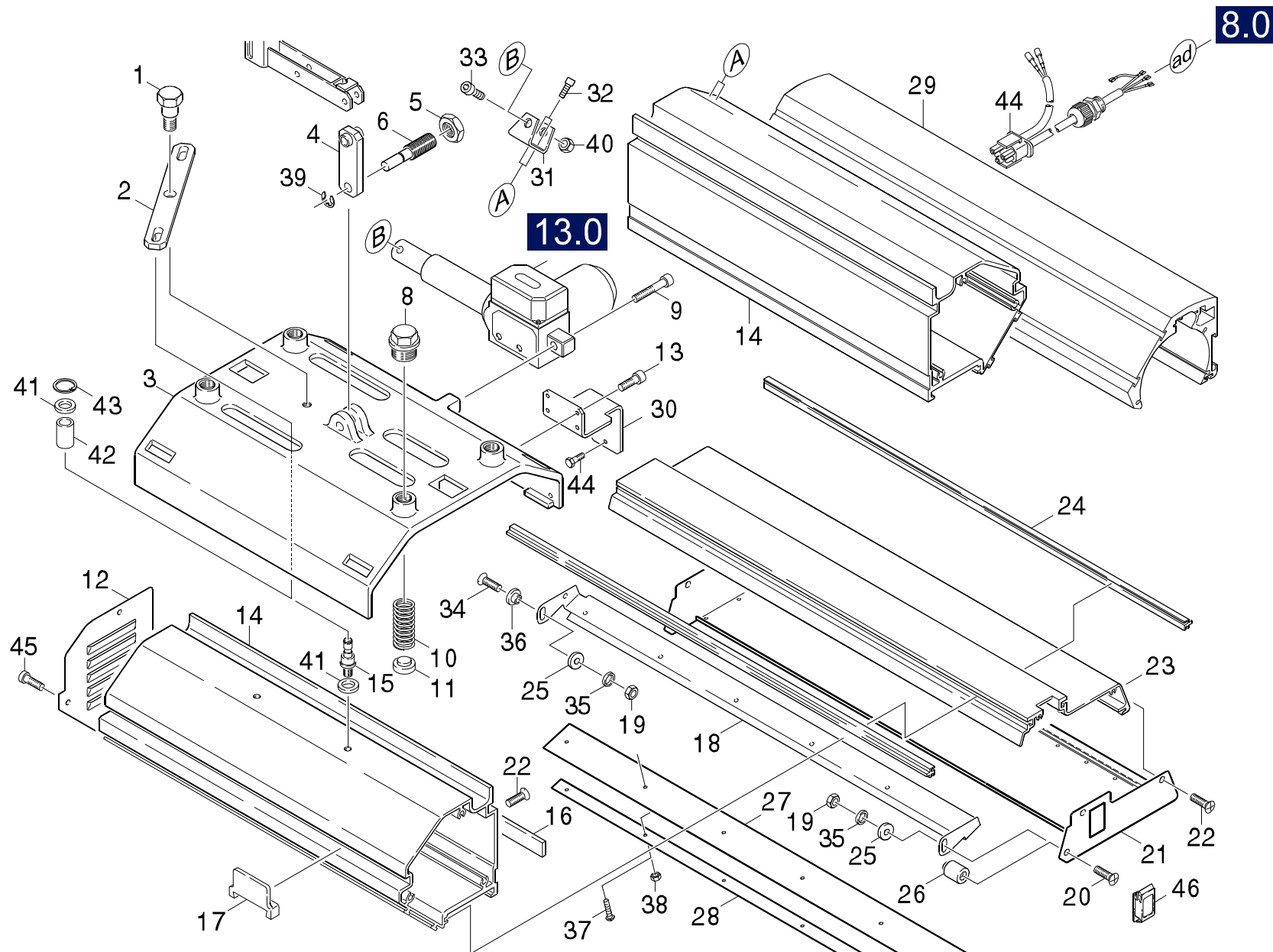
"=> xxxxxx" = bis Werknummer / up to serial No. / jusqu' au No. de fabr. / "xxxxxx =>" = ab Werknummer / from serial No. / a partir du No. de fabr. /

**GRUPPE: 10.0ARBEITSKOPF**  
**GROUP: 10.0WORKING HEAD**  
**GRUPPE: 10.0TETE DE TRAVAIL**

**A10**

**BR 700**

**GRUPPE: 10.0ARBEITSKOPF**  
**GROUP: 10.0WORKING HEAD**  
**GRUPPE: 10.0TETE DE TRAVAIL**



Symbolbeschreibung siehe M16 / symbol description see M16 / désignation de système voir M16 /

GRUPPE: 10.1 OBERTEIL  
 GROUP: 10.1 TOP PART  
 GROUPE: 10.1 PARTIE SUPERIEUR

# C10

# BR 700

POS. ITM. POS.	BENNENNUNG DESCRIPTION DESIGNATION	TEILE-NR. PART-NO. NO.PIECE	STCK QTY. NBR.	POS. ITM. POS.	BENNENNUNG DESCRIPTION DESIGNATION	TEILE-NR. PART-NO. NO.PIECE	STCK QTY. NBR.
1	FORMSCHRAUBE / SCREW / VIS	5.305-233.0	1	32	ZYL.SCHR. M 8X 16 / CHEESE HEAD SCREW / VIS A TETE CYLINDR.	6.303-123.0	2
2	HEBEL / LEVER / LEVIER	5.481-166.0	1				
3	BUERSTENTRAEGER / BRUSH-PART / PIECE DE BROSSE	5.053-058.0	1	33	ZYL.SCHR. M10X 45 / CHEESE HEAD SCREW / VIS A TETE CYLINDR.	7.306-068.0	1
4	LASCHE KPL. / RETAINER CLIP / ECLISSE / => 11286	4.002-051.0	1	34	SENKSCHR. M 5X 20 / FLAT HEADED SCREW / VIS A TETE CONIQUE	7.305-275.0	1
4	LASCHE / RETAINER CLIP / ECLISSE 11287 =>	5.004-721.0	1	35	SCHEIBE A 5,3 / WASHER / RONDELLE	7.312-052.0	2
5	MUTTER / NUT / ECROU	5.310-107.0	1	36	BUCHSE / BUSH / DOUILLE	5.112-506.0	1
6	FORMSCHRAUBE / SCREW / VIS	5.305-240.0	1	37	LINSENSCHR. M 4X 12 / OVAL HEAD SCREW / VIS A TETE BOMBEE	7.306-313.0	6
8	FORMSCHRAUBE / SCREW / VIS	5.305-232.0	4	38	6KT-MUTTER M 4 / HEXAGON NUT / ECROU HEXAGONAL	7.311-516.0	6
9	ZYL.SCHR. M10X 35 / CHEESE HEAD SCREW / VIS A TETE CYLINDR.	7.306-074.0	1	39	S-SCHEIBE 9 / LOCK WASHER / RONDELLE D'ARRET	7.343-205.0	1
10	SCHRAUBENFEDER / HELICAL SPRING / RESSORT CYLINDRIQUE	5.332-358.0	4	40	6KT-MUTTER M10 / HEXAGON NUT / ECROU HEXAGONAL	7.311-423.0	1
11	DRUCKTELLER / PRESSURE PLATE / PLATEAU DE PRESSION	5.116-028.0	4	41	SCHEIBE B 10,5 / WASHER / RONDELLE	7.312-005.0	4
12	MOTORABDECKPLATTE / COVER PLATE MOTOR / PLAQUE RECOUV. DE MOTORE	5.003-061.0	2	42	ROHR / PIPE / TUYAU	5.028-821.0	2
13	ZYL.SCHR. M 6X 16 / CHEESE HEAD SCREW / VIS A TETE CYLINDR.	6.303-135.0	8	43	S-SCHEIBE 8 / LOCK WASHER / RONDELLE D'ARRET	7.343-303.0	2
14	MOTORGEHAEUSE / MOTOR FRAME / BATI DE MOTEUR	5.060-497.0	2	44	KABEL KPL. / CABLE / CABLE	4.820-915.0	1
15	BOLZEN / BOLT / BOULON	5.316-373.0	2	45	SCHNEIDSCHR. M6X16Z / SELF-TAPPING SCREW / VIS AUTOTARAUEUSE	7.303-005.0	6
16	FUEHRUNG / GUIDE / GAINE	5.031-025.0	2	46	SCHNAPPVERSCHLUSS / SNAP / COUVERCLE A ENCLANCH.	6.321-131.0	1
17	LAGERBOCK / BEARING BLOCK / SELLE D'APPUI	5.251-022.0	8	47	FORMSCHRAUBE / SCREW / VIS	5.305-244.0	1
18	BLECHTEIL / PLATE / TOLE	5.046-769.0	1				
19	6KT-MUTTER M 5 / HEXAGON NUT / ECROU HEXAGONAL	7.311-431.0	2				
20	SENKSCHR. M 5X 30 / FLAT HEADED SCREW / VIS A TETE CONIQUE	7.305-276.0	1				
21	BLECHTEIL KPL. / PLATE / TOLE	4.038-429.0	1				
22	SCHNEIDSCHR. M5X 12 / SELF-TAPPING SCREW / VIS AUTOTARAUEUSE	7.303-516.0	8				
23	PROFIL SCHMUTZLADE / PROFILE / PROFILE	5.031-024.0	1				
24	GLEITPROFIL / PROFILE / PROFILE	5.031-106.0	2				
25	SCHEIBE / WASHER / RONDELLE	5.115-650.0	2				
26	BUCHSE / BUSH / DOUILLE	5.112-507.0	1				
27	STREIFEN / STRIP / BANDE	5.181-043.0	1				
28	BLECHSTREIFEN / METAL STRIP / TOLE	5.046-869.0	1				
29	BUERSTENGEHAEUSE / BRUSH HOUSING / CARTER DE BROSSE	5.060-496.0	1				
30	FUEHRUNGSWINKEL / ANGLE / COUDE	5.019-295.0	2				
31	HALTER / BRACKET / FIXATION	5.042-898.0	1				

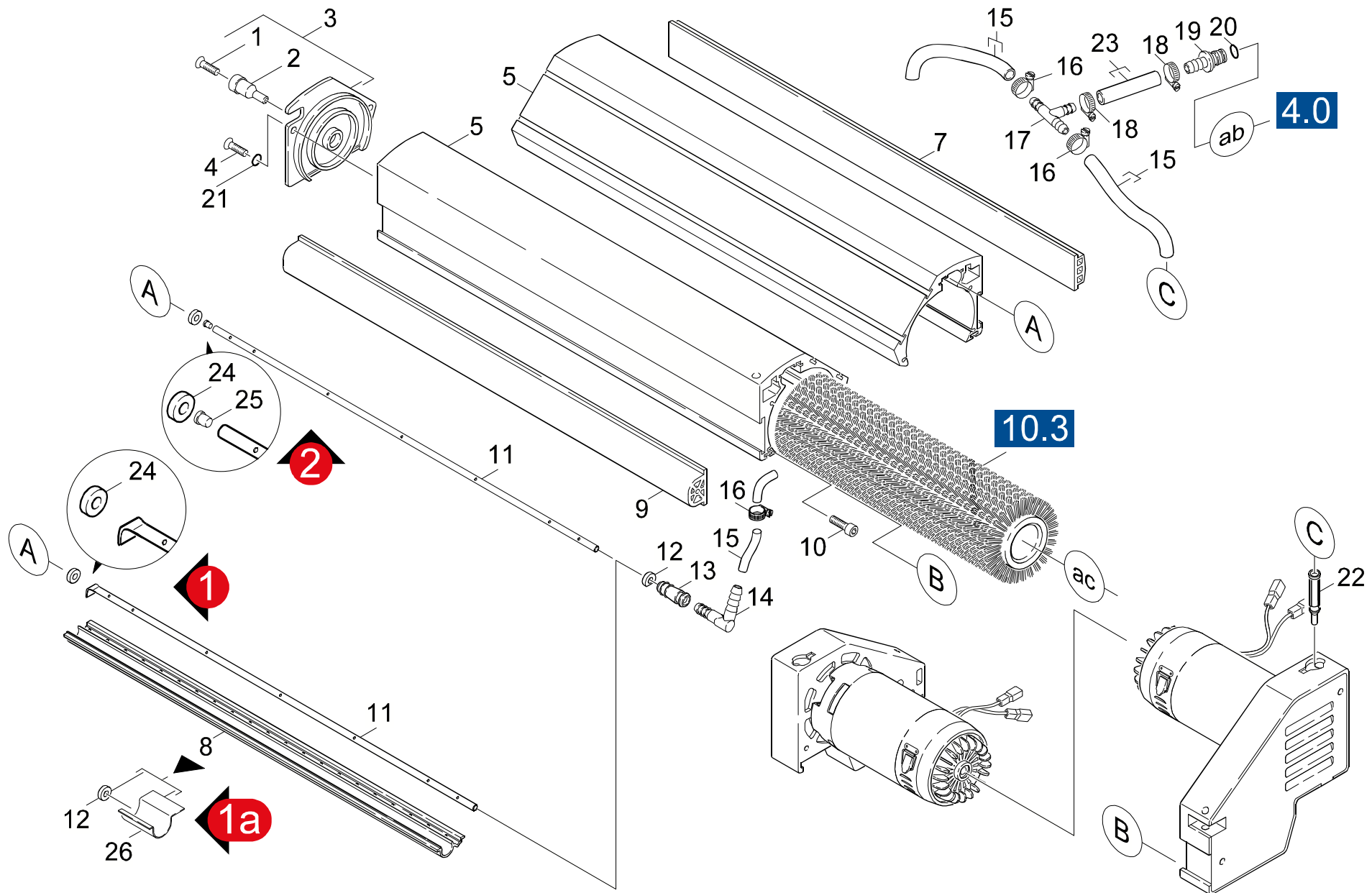
"=> xxxxxx" = bis Werknummer / up to serial No. / jusqu' au No. de fabr. / "xxxxxx =>" = ab Werknummer / from serial No. / a partir du No. de fabr. /



GRUPPE: 10.2UNTERTEIL  
GROUP: 10.2BOTTOM  
GRUPPE: 10.2PARTIE INFERIEURE

D10

BR 700



Symbolbeschreibung siehe M16 / symbol description see M16 / désignation de système voir M16 /

GRUPPE: 10.2UNTERTEIL  
 GROUP: 10.2BOTTOM  
 GROUPE: 10.2PARTIE INFERIEURE

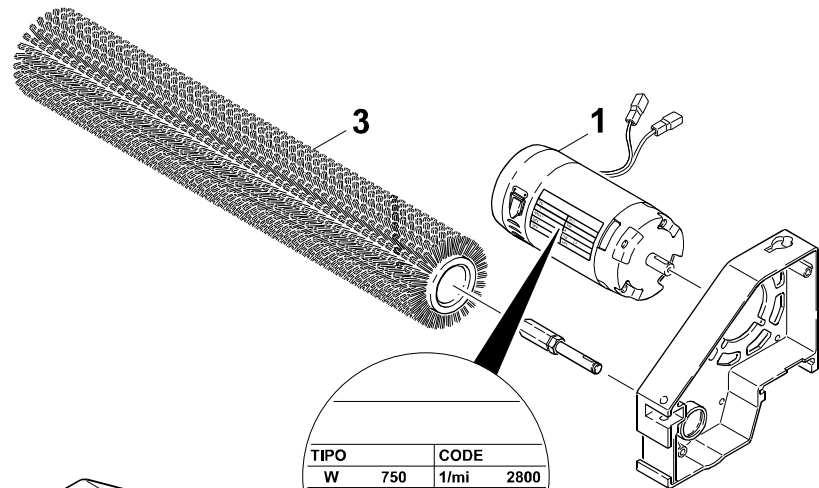
# E10

# BR 700

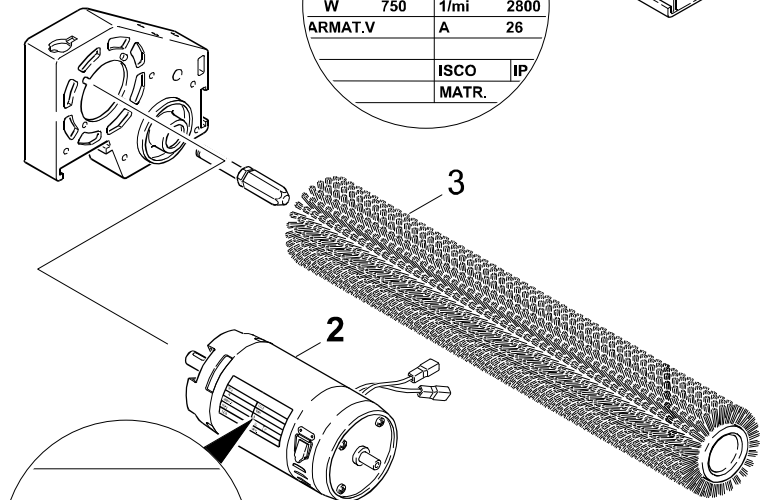
POS. ITM. POS.	BENNENNUNG DESCRIPTION DESIGNATION	TEILE-NR. PART-NO. NO.PIECE	STCK QTY. NBR.	POS. ITM. POS.	BENNENNUNG DESCRIPTION DESIGNATION	TEILE-NR. PART-NO. NO.PIECE	STCK QTY. NBR.
1	SENKSCHR. M 6X 12 / FLAT HEADED SCREW / VIS A TETE CONIQUE	7.305-622.0	2	21	O-RING 6,07X 1,78 / GASKET / BAQUE D'ETANCHEITE	6.362-176.0	4
2	AUFNAHMEDORN / ACCEPTANCE MANDRIL / MANDRIN DE RECEPTION	5.316-371.0	2	22	HALTER / BRACKET / FIXATION	5.042-867.0	1
3	HALTEPLATTE KPL. / PLATE / PLAQUE	4.042-723.0	2	23	SCHLAUCH DN12,5 / HOSE / TUYAU FLEXIBLE	6.388-248.0	1
4	SENKSCHR. M 8X 20 / FLAT HEADED SCREW / VIS A TETE CONIQUE	7.305-639.0	4		<b>ALS METERWARE BESTELLEN/TO ORDER AS CUT GOODS/COMMANDE COMME MARCHANDISE AU METRE</b>		
5	BUERSTENGEHAEUSE / BRUSH HOUSING / CARTER DE BROSSE	5.060-496.0	2	24	SCHEIBE / WASHER / RONDELLE	5.115-673.0	2
	<b>VERSION 1</b>			25	SCHUTZSTOPFEN / PROTECTION PLUG / BOUCHON DE PROT.	6.368-040.0	1
5	BUERSTENGEHAEUSE / BRUSH HOUSING / CARTER DE BROSSE	5.060-587.0	2		<b>VERSION 2</b>		
	<b>VERSION 2</b>			26	HALTER / BRACKET / FIXATION	5.044-077.0	1
	<b>VERSION 1A</b>						
7	RAMMLEISTE / PROTECTION LATH / BAGUETTE PROT.	5.023-181.0	1				
8	WASSERRINNE / WATER-DISTRIBUTOR / DISTRIBUTEUR D'EAU	5.031-092.0	1				
	<b>VERSION 1BEI BEDARF BESTELLEN/ORDER ACCORDING TO CONSUMPTION/COMMANDER AU BESOIN</b>						
9	PROFILLEISTE / PROFILE STRIP / BAGUETTE PROFILE	5.023-171.0	1				
10	ZYL.SCHR. M6X20 / CHEESE HEAD SCREW / VIS A TETE CYLINDR.	6.303-131.0	12				
11	ROHR / PIPE / TUYAU	5.028-800.0	2				
	<b>VERSION 1</b>						
11	ROHR / PIPE / TUYAU	5.028-880.0	2				
	<b>VERSION 2</b>						
12	SCHEIBE / WASHER / RONDELLE	5.115-646.0	14				
12	SCHEIBE / WASHER / RONDELLE	5.115-672.0	2				
	<b>VERSION 2/VERSION 2/VERSION 2</b>						
13	GUMMITUELLE / RUBBER BUSHING / MANCHON CAOUTCHOUC	5.379-023.0	2				
14	WINKELSCHLAUCHSTUT. / ANGLE PIECE / PIECE D'ANGLE	6.389-897.0	2				
15	SCHLAUCH DN 7 / HOSE / TUYAU FLEXIBLE	6.388-194.0	1				
	<b>ALS METERWARE BESTELLEN/TO ORDER AS CUT GOODS/COMMANDE COMME MARCHANDISE AU METRE</b>						
16	SCHLAUCHSCHELLE / HOSE BAND CLIP / COLLIER DE SERRAGE	6.388-544.0	4				
17	T-REDUZIERSTUTZEN / REDUCING CONNECTION PIECE / COUDE RED.	6.389-874.0	1				
18	SCHLAUCHSCHELLE / HOSE BAND CLIP / COLLIER DE SERRAGE	6.388-546.0	1				
19	SCHLAUCHNIPPEL / HOSE STEM / RACCORD DE FLEXIBLE	5.443-375.0	1				
20	O-RING 11,3 X 2,4 / GASKET / BAQUE D'ETANCHEITE	6.362-170.0	1				

"=> xxxxxx" = bis Werknummer / up to serial No. / jusqu' au No. de fabr. / "xxxxxx =>" = ab Werknummer / from serial No. / a partir du No. de fabr. /

**BEI BESTELLUNG AUF AUSFÜHRUNG ACHTEN!**  
**FOR ORDERS PAY ATTENTION TO VERSION!**  
**POUR DES COMMANDES IL FAUT CONSIDERE LA VERSION!**

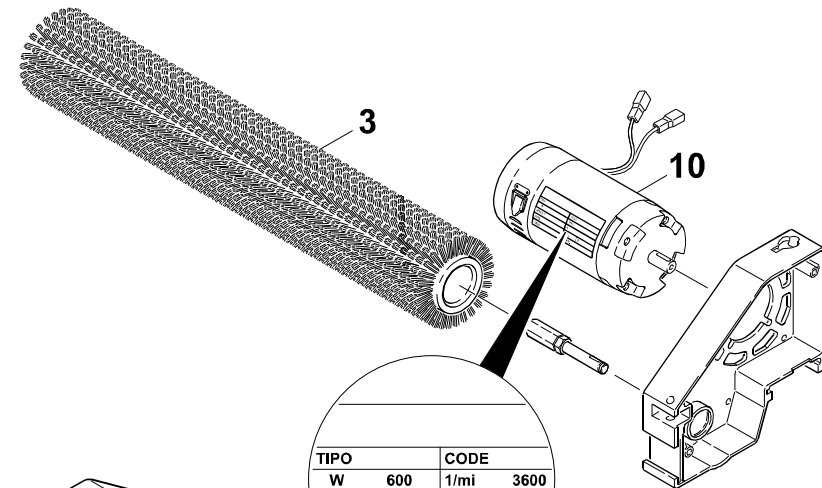


TIPO	CODE		
W	750	1/mi	2800
ARMAT.V	A		26
		ISCO	IP
		MATR.	

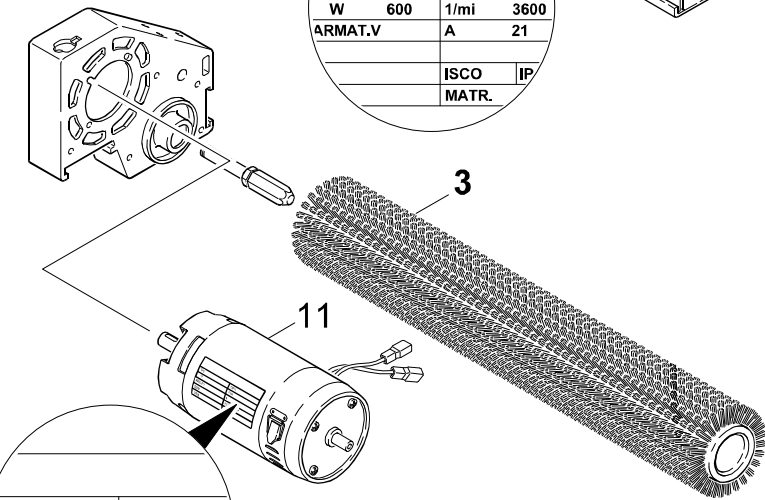


TIPO	CODE		
W	750	1/mi	2800
ARMAT.V	A		26
		ISCO	IP
		MATR.	

**BEI BESTELLUNG AUF AUSFÜHRUNG ACHTEN!**  
**FOR ORDERS PAY ATTENTION TO VERSION!**  
**POUR DES COMMANDES IL FAUT CONSIDERE LA VERSION!**



TIPO	CODE		
W	600	1/mi	3600
ARMAT.V	A		21
		ISCO	IP
		MATR.	



TIPO	CODE		
W	600	1/mi	3600
ARMAT.V	A		21
		ISCO	IP
		MATR.	

Symbolbeschreibung siehe M16 / symbol description see M16 / désignation de système voir M16 /

GRUPPE: 10.3BUERSTE UND MOTOR  
 GROUP: 10.3BRUSH  
 GROUPE: 10.3BROSSE

**G10**

**BR 700**

POS. ITM. POS.	BENNENUNG DESCRIPTION DESIGNATION	TEILE-NR. PART-NO. NO.PIECE	STCK QTY. NBR.
1	GLEICHSTROMMOTOR / DC MOTOR / MOTEUR C.C. /=> 11842	6.613-017.0	1
2	GLEICHSTROMMOTOR / DC MOTOR / MOTEUR C.C. /=> 11842	6.613-022.0	1
3	BUERSTENWALZE WEISS / ROLLER BRUSH / TAMBOUR DE BROSSE <b>WEISS/WHITE/BLANC</b>	5.762-130.0	2
3	BUERSTENWALZE SCHWA / ROLLER BRUSH / TAMBOUR DE BROSSE <b>SCHWARZ/BLACK/NOIR</b>	5.762-131.0	2
3	BUERSTENWALZE ROT / ROLLER BRUSH / TAMBOUR DE BROSSE <b>ROT/RED/ROUGE</b>	5.762-132.0	2
3	BUERSTENW. GRAU 0.6 / BUERSTENW. GRAU 0.6 / BUERSTENW. GRAU 0.6 <b>GRAU/GREY/GRIS</b>	5.762-133.0	2
3	BUERSTENWALZE / ROLLER BRUSH / TAMBOUR DE BROSSE <b>ANTISTATISCH/ANTISTATIC/ANTISTATIQUE</b>	5.762-232.0	2
10	GLEICHSTROMMOTOR / DC MOTOR / MOTEUR C.C. <b>11843 =&gt;</b>	6.613-037.0	1
11	GLEICHSTROMMOTOR / DC MOTOR / MOTEUR C.C. <b>11843 =&gt;</b>	6.613-038.0	1
100	KOHLEBUERSTENSATZ / CARBON BRUSH SET / CHARBONS <b>/ 6.613-017.0 / -022.0</b>	6.610-102.0	2

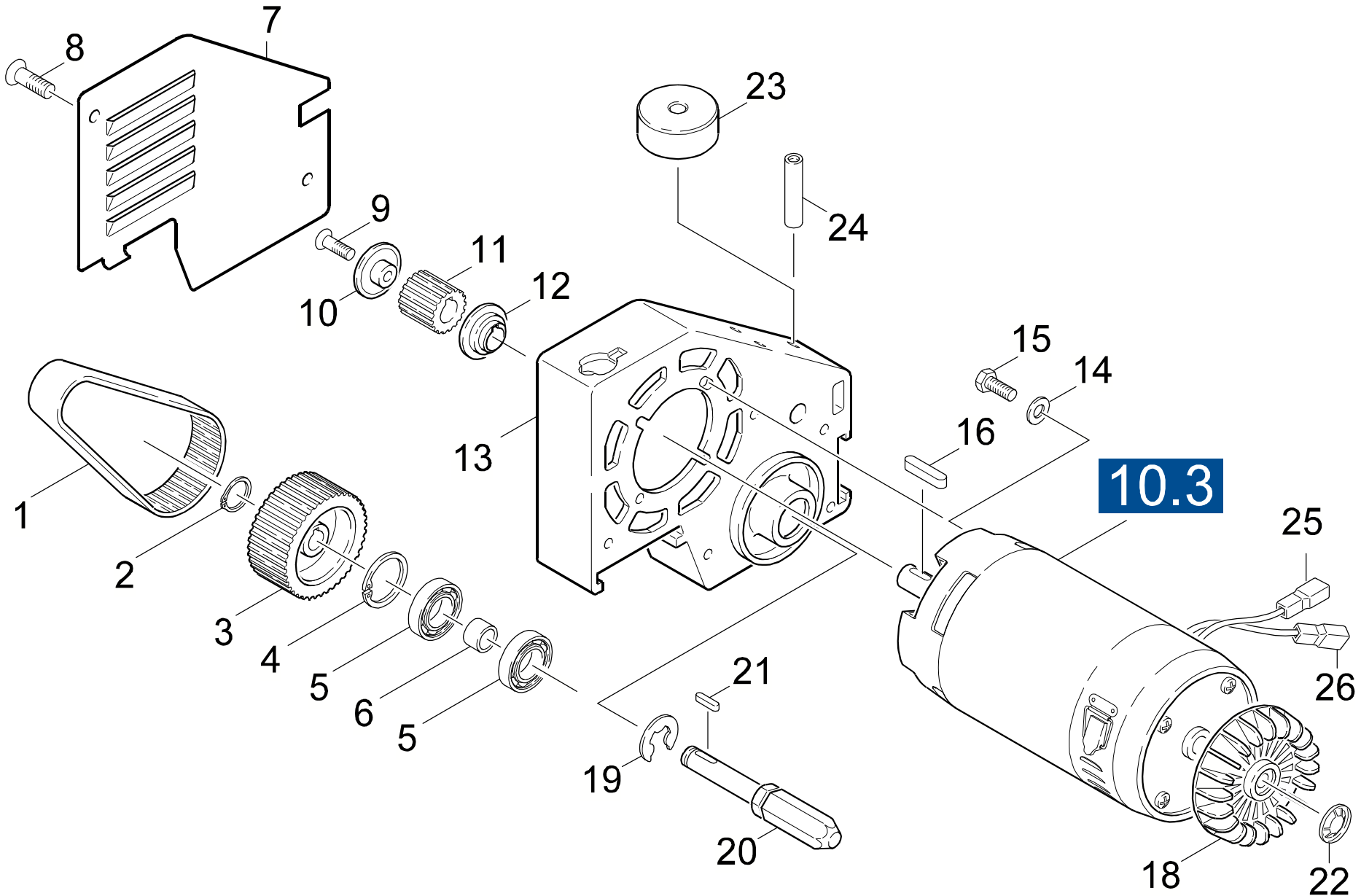
"=> xxxxxx" = bis Werknummer / up to serial No. / jusqu' au No. de fabr. / "xxxxxx =>" = ab Werknummer / from serial No. / a partir du No. de fabr. /

GRUPPE: 11.0ARBEITSKOPF -ANTRIE  
GROUP: 11.0WORKING HEAD  
GRUPPE: 11.0TETE DE TRAVAIL

**A11**

**BR 700**

**GRUPPE: 11.0ARBEITSKOPF -ANTRIE**  
**GROUP: 11.0WORKING HEAD**  
**GRUPPE: 11.0TETE DE TRAVAIL**



Symbolbeschreibung siehe M16 / symbol description see M16 / désignation de système voir M16 /

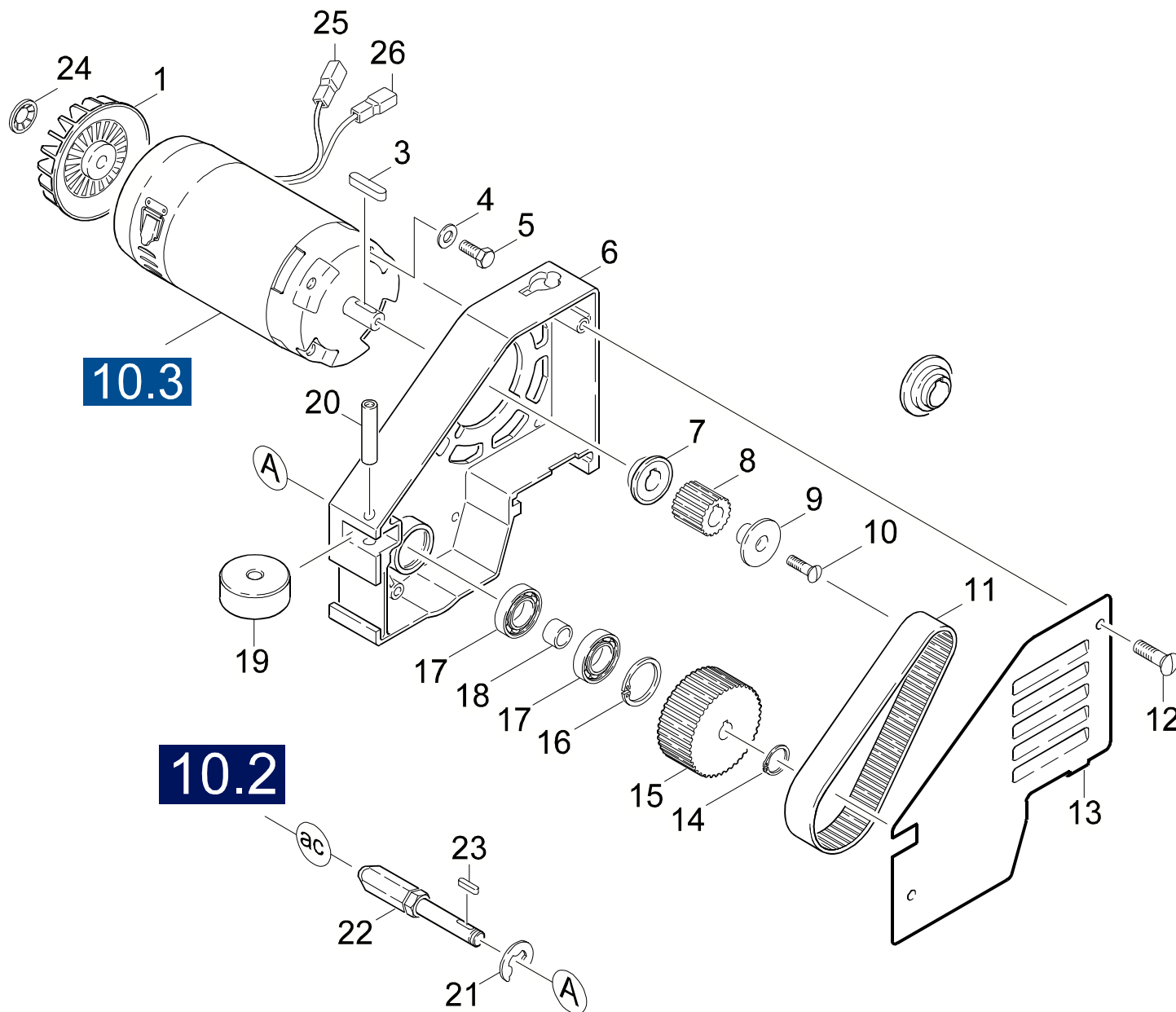
GRUPPE: 11.1ANTRIEB LINKS  
GROUP: 11.1GEAR  
GROUPE: 11.1ENTRAINEMENT

C11

BR 700

POS. ITM. POS.	BENNENNUNG DESCRIPTION DESIGNATION	TEILE-NR. PART-NO. NO.PIECE	STCK QTY. NBR.
1	ZAHNRIEMEN / TOOTHED BELT / COURROIE DENTEE	6.348-272.0	1
2	S-RING 12X1 / SPRING CLIP / CIRCLIP	7.343-003.0	1
3	ZAHNRIEMENSCHLEIBE / PULLEY / RONDELLE	5.625-272.0	1
4	S-RING 32X 1,2 / SPRING CLIP / CIRCLIP	7.343-231.0	1
5	KUGELLAGER 6201-2RS / BALL BEARING / ROULEMENT A BILLE	7.401-169.0	2
6	HUELSE / SLEEVE / DOUILLE	5.110-569.0	1
7	ABDECKPLATTE / COVER PLATE / PLAQUE RECOUVREMENT	5.003-090.0	1
8	SCHNEIDSCHR. M6X 16 / SELF-TAPPING SCREW / VIS AUTOTARAUEUSE	7.303-517.0	2
9	SCHRAUBE M 6X 16 / SCREW / VIS	7.306-090.0	1
10	SCHEIBE / WASHER / RONDELLE	5.115-631.0	1
11	ZAHNRIEMENSCHLEIBE / PULLEY / RONDELLE	5.625-271.0	1
12	SCHEIBE / WASHER / RONDELLE	5.115-630.0	1
13	HALTEPLATTE ANTRIEB / PLATE / PLAQUE	5.042-839.0	1
14	SCHEIBE 6,4 / WASHER / RONDELLE	7.312-276.0	4
15	SCHRAUBE M 6X 20 / SCREW / VIS	7.306-092.0	4
16	PASSFEDER 5X 5X 20 / SPRING / RESSORT D'ADJUSTAGE	7.318-070.0	1
18	LUEFTERRAD / BLOWER WHEEL / ROUE DE VENTILATEUR	6.613-025.0	1
19	S-SCHEIBE 15 / LOCK WASHER / RONDELLE D'ARRET	7.343-304.0	1
20	ANTRIEBSWELLE / DRIVE SHAFT / ARBRE D'ENTRAINEMENT	5.100-170.0	1
21	PASSFEDER 4X 4X 16 / SPRING / RESSORT D'ADJUSTAGE	7.318-007.0	2
22	SCHNELLBEFESTIGER / QUICK-FASTENER / ATTACHE RAPIDE	6.343-149.0	1
23	ROLLE / ROLLER / ROULETTE	5.515-078.0	1
24	BOLZEN / BOLT / BOULON	5.316-370.0	1
25	STECKER ROT 75A / PLUG / FICHE	6.646-329.0	1
26	<b>ROT/RED/ROUGE</b> STECKER BLAU 75A / PLUG / FICHE <b>BLAU/BLUE/BLEU</b>	6.646-330.0	1

"=> xxxxxx" = bis Werknummer / up to serial No. / jusqu' au No. de fabr. / "xxxxxx =>" = ab Werknummer / from serial No. / a partir du No. de fabr. /



Symbolbeschreibung siehe M16 / symbol description see M16 / désignation de système voir M16 /



GRUPPE: 11.2ANTRIEB RECHTS  
GROUP: 11.2GEAR  
GROUPE: 11.2ENTRAINEMENT

E11

BR 700

POS. ITM. POS.	BENNENUNG DESCRIPTION DESIGNATION	TEILE-NR. PART-NO. NO.PIECE	STCK QTY. NBR.
1	LUEFTERRAD / BLOWER WHEEL / ROUE DE VENTILATEUR	6.613-025.0	1
3	PASSFEDER 5X 5X 20 / SPRING / RESSORT D'ADJUSTAGE	7.318-070.0	1
4	SCHEIBE 6,4 / WASHER / RONDELLE	7.312-276.0	4
5	SCHRAUBE M 6X 20 / SCREW / VIS	7.306-092.0	4
6	HALTEPLATTE ANTRIEB / PLATE / PLAQUE	5.042-839.0	1
7	SCHEIBE / WASHER / RONDELLE	5.115-630.0	1
8	ZAHNRIEMENSCHLEIBE / PULLEY / RONDELLE	5.625-271.0	1
9	SCHEIBE / WASHER / RONDELLE	5.115-631.0	1
10	SCHRAUBE M 6X 16 / SCREW / VIS	7.306-090.0	1
11	ZAHNRIEMEN / TOOTHED BELT / COURROIE DENTEE	6.348-272.0	1
12	SCHNEIDSCHR. M6X 16 / SELF-TAPPING SCREW / VIS AUTOTARAUEUSE	7.303-517.0	2
13	ABDECKPLATTE / COVER PLATE / PLAQUE RECOUVREMENT	5.003-090.0	1
14	S-RING 12X1 / SPRING CLIP / CIRCLIP	7.343-003.0	1
15	ZAHNRIEMENSCHLEIBE / PULLEY / RONDELLE	5.625-272.0	1
16	S-RING 32X 1,2 / SPRING CLIP / CIRCLIP	7.343-231.0	1
17	KUGELLAGER 6201-2RS / BALL BEARING / ROULEMENT A BILLE	7.401-169.0	2
18	HUELSE / SLEEVE / DOUILLE	5.110-569.0	1
19	ROLLE / ROLLER / ROULETTE	5.515-078.0	1
20	BOLZEN / BOLT / BOULON	5.316-370.0	1
21	S-SCHEIBE 15 / LOCK WASHER / RONDELLE D'ARRET	7.343-304.0	1
22	ANTRIEBSWELLE / DRIVE SHAFT / ARBRE D'ENTRAINEMENT	5.100-170.0	1
23	PASSFEDER 4X 4X 16 / SPRING / RESSORT D'ADJUSTAGE	7.318-007.0	1
24	SCHNELLBEFESTIGER / QUICK-FASTENER / ATTACHE RAPIDE	6.343-149.0	1
25	STECKER ROT 75A / PLUG / FICHE	6.646-329.0	1
26	<b>ROT/RED/ROUGE</b> STECKER BLAU 75A / PLUG / FICHE <b>BLAU/BLUE/BLEU</b>	6.646-330.0	1

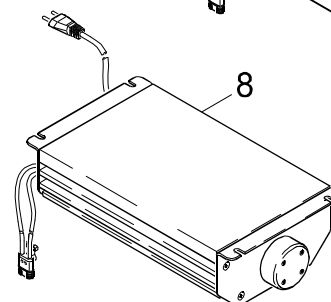
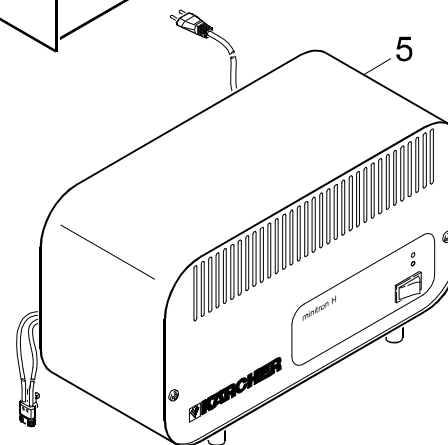
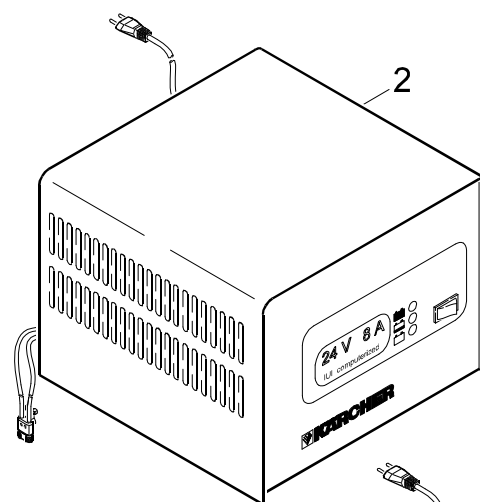
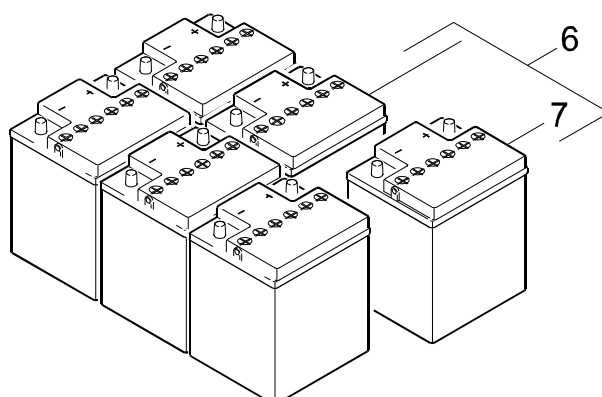
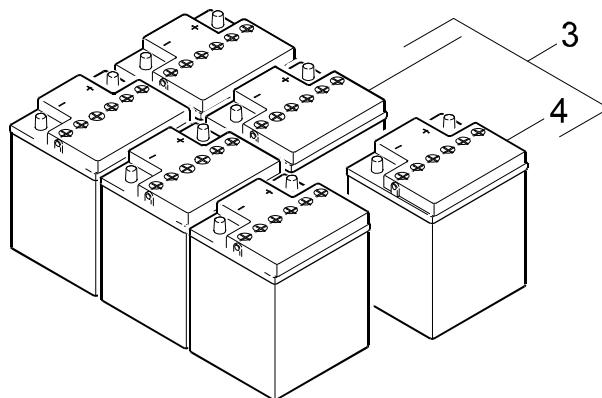
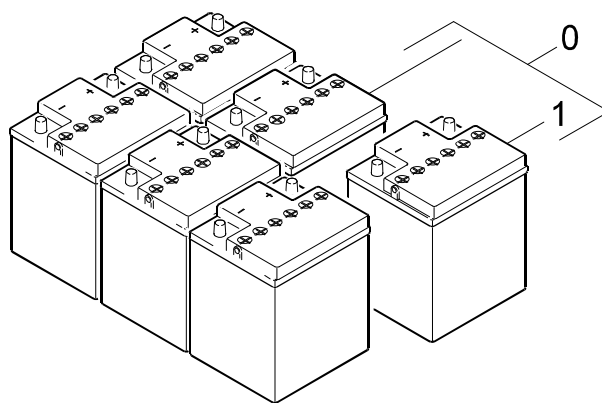
"=> xxxxxx" = bis Werknummer / up to serial No. / jusqu' au No. de fabr. / "xxxxxx =>" = ab Werknummer / from serial No. / a partir du No. de fabr. /

**GRUPPE: 12.0BATTERIE U. LADEGE.**  
**GROUP: 12.0BATTERY**  
**GRUPPE: 12.0BATTERIE**

**A12**

**BR 700**

**GRUPPE: 12.0BATTERIE U. LADEGE.**  
**GROUP: 12.0BATTERY**  
**GRUPPE: 12.0BATTERIE**



Symbolbeschreibung siehe M16 / symbol description see M16 / désignation de système voir M16 /

GRUPPE: 12.0BATTERIE U. LADEGE.  
GROUP: 12.0BATTERY  
GROUPE: 12.0BATTERIE

C12

BR 700

POS. ITM. POS.	BENNENUNG DESCRIPTION DESIGNATION	TEILE-NR. PART-NO. NO.PIECE	STCK QTY. NBR.
0	BATTERIESATZ / BATTERY KIT / LOT DE BATTERIE <b>36V/175AHWARTUNGSARM/LOW-MAINTENANCE/FAIBLE ENTRETIEN NECESSAIRE</b>	6.654-049.0	1
1	BATTERIE NASS / BATTERY / BATTERIE <b>6V/175AHWARTUNGSARM/LOW-MAINTENANCE/FAIBLE ENTRETIEN NECESSAIRE</b>	6.654-086.0	6
2	BATTERIELADEGERAET / BATTERY CHARGER / CHARGEUR <b>36V/20A</b>	6.654-063.0	1
3	BATTERIESATZ / BATTERY KIT / LOT DE BATTERIE <b>36V/160AHWARTUNGSFREI/MAINTENANCE-FREE/SANS ENTRETIEN</b>	6.654-050.0	1
4	BATTERIE / BATTERY / BATTERIE <b>6V/160AHWARTUNGSFREI/MAINTENANCE-FREE/SANS ENTRETIEN</b>	6.654-082.0	6
5	BATTERIELADEGERAET / BATTERY CHARGER / CHARGEUR <b>36V/22A</b>	6.654-064.0	1
6	BATTERIESATZ DETA / BATTERY KIT / LOT DE BATTERIE <b>36V/160AHWARTUNGSFREI/MAINTENANCE-FREE/SANS ENTRETIEN</b>	6.654-090.0	1
7	BATTERIE DETA / BATTERY / BATTERIE <b>6V/160AHWARTUNGSFREI/MAINTENANCE-FREE/SANS ENTRETIEN</b>	6.654-088.0	6
8	BATTERIELADEGERAET / BATTERY CHARGER / CHARGEUR <b>36V/25A</b>	6.654-051.0	1

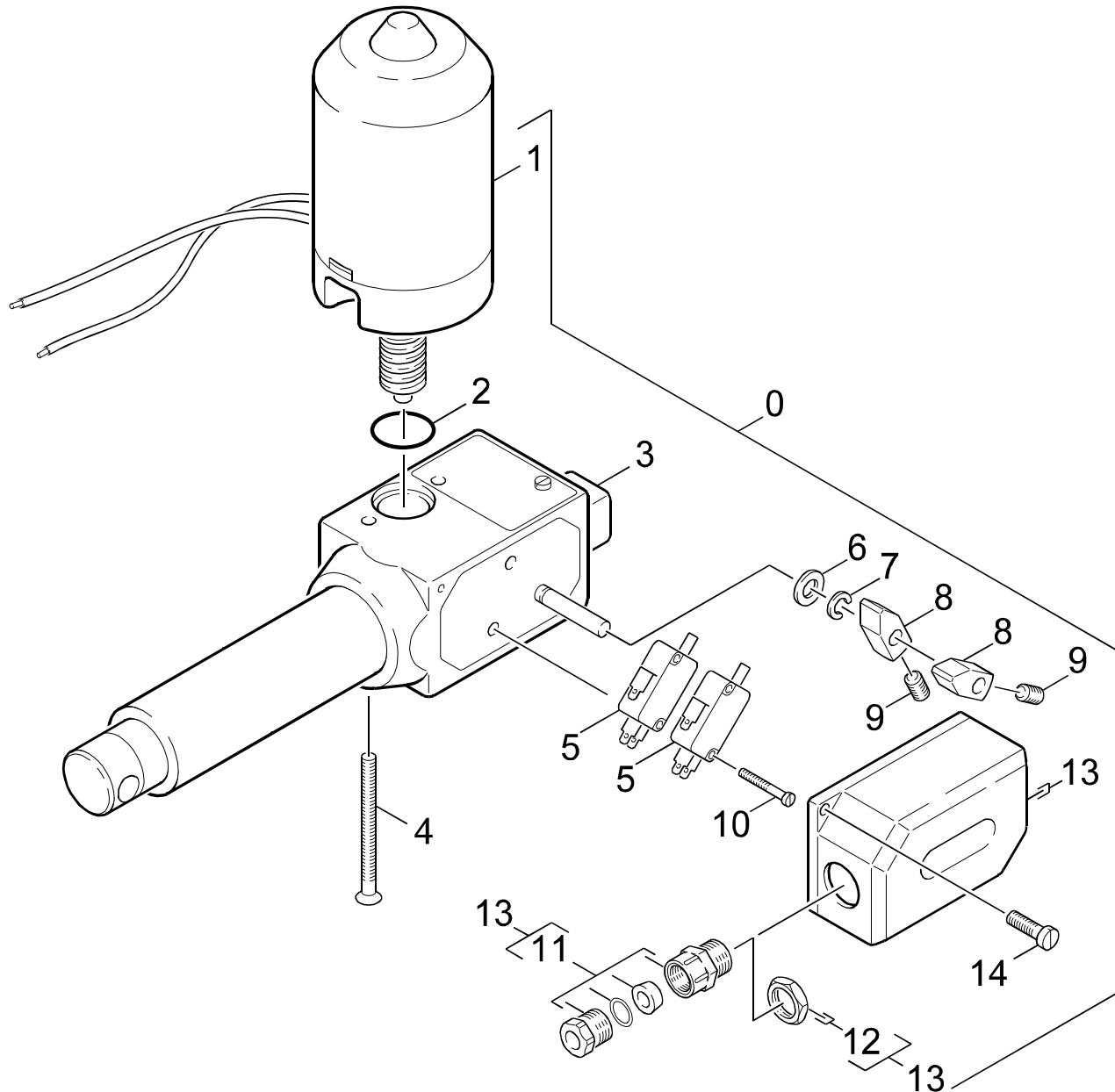
"=> xxxxxx" = bis Werknummer / up to serial No. / jusqu' au No. de fabr. / "xxxxxx =>" = ab Werknummer / from serial No. / a partir du No. de fabr. /

GRUPPE: 13.0HUBMOTOR-EINZELTEIL  
GROUP: 13.0HOISTING MOTOR-PIECE PART  
GRUPPE: 13.0MOTEUR DE LEVAGE-PIECES

**A13**

**BR 700**

**GRUPPE: 13.0HUBMOTOR-EINZELTEIL**  
**GROUP: 13.0HOISTING MOTOR-PIECE PART**  
**GRUPPE: 13.0MOTEUR DE LEVAGE-PIECES**



Symbolbeschreibung siehe M16 / symbol description see M16 / désignation de système voir M16 /

GRUPPE: 13.0HUBMOTOR-EINZELTEIL  
 GROUP: 13.0HOISTING MOTOR-PIECE PART  
 GROUPE: 13.0MOTEUR DE LEVAGE-PIECES

**C13**

**BR 700**

POS. ITM. POS.	BENNENUNG DESCRIPTION DESIGNATION	TEILE-NR. PART-NO. NO.PIECE	STCK QTY. NBR.
0	ET-SET HUBMOTOR / SPARE PARTS SET / JEU DE PIECES DECHANGE	2.884-047.0	1
1	ELEKTROMOTOR / ELECTRIC MOTOR / MOTEUR ELECTRIQUE	6.613-036.0	1
2	O-RING 18,0 X 2,0 / GASKET / BAQUE D'ETANCHEITE	6.362-534.0	1
4	ZYL.SCHR. M 4X 60 / CHEESE HEAD SCREW / VIS A TETE CYLINDR.	7.306-481.0	2
5	MIKROSCHALTER / MICRO SWITCH / MICRORUPTEUR	6.631-955.0	2
6	SCHEIBE B 5,3 / WASHER / RONDELLE	7.312-032.0	1
7	S-SCHEIBE 6 / LOCK WASHER / RONDELLE D'ARRET	7.343-204.0	1
8	NOCKEN / CAM / CAME	6.600-128.0	2
9	GEW.STIFT M 5X 5 / THREADED PIN / VIS SANS TETE	7.307-512.0	2
10	ZYL.SCHR. M 3X 25 / CHEESE HEAD SCREW / VIS A TETE CYLINDR.	7.306-401.0	2
11	KABELVERSCHR. PG 7 / CABLE CONNECTOR / RACCORD DE CABLES	6.641-278.0	1
12	GEGENMUTTER PG 7 / COUNTERNUT / CONTRE-ECROU	6.641-483.0	1
13	DECKEL / COVER / COUVERCLE	6.600-129.0	1
14	SCHRAUBE M 4X 10 / SCREW / VIS	7.306-057.0	2

"=> xxxxxx" = bis Werknummer / up to serial No. / jusqu' au No. de fabr. / "xxxxxx =>" = ab Werknummer / from serial No. / a partir du No. de fabr. /

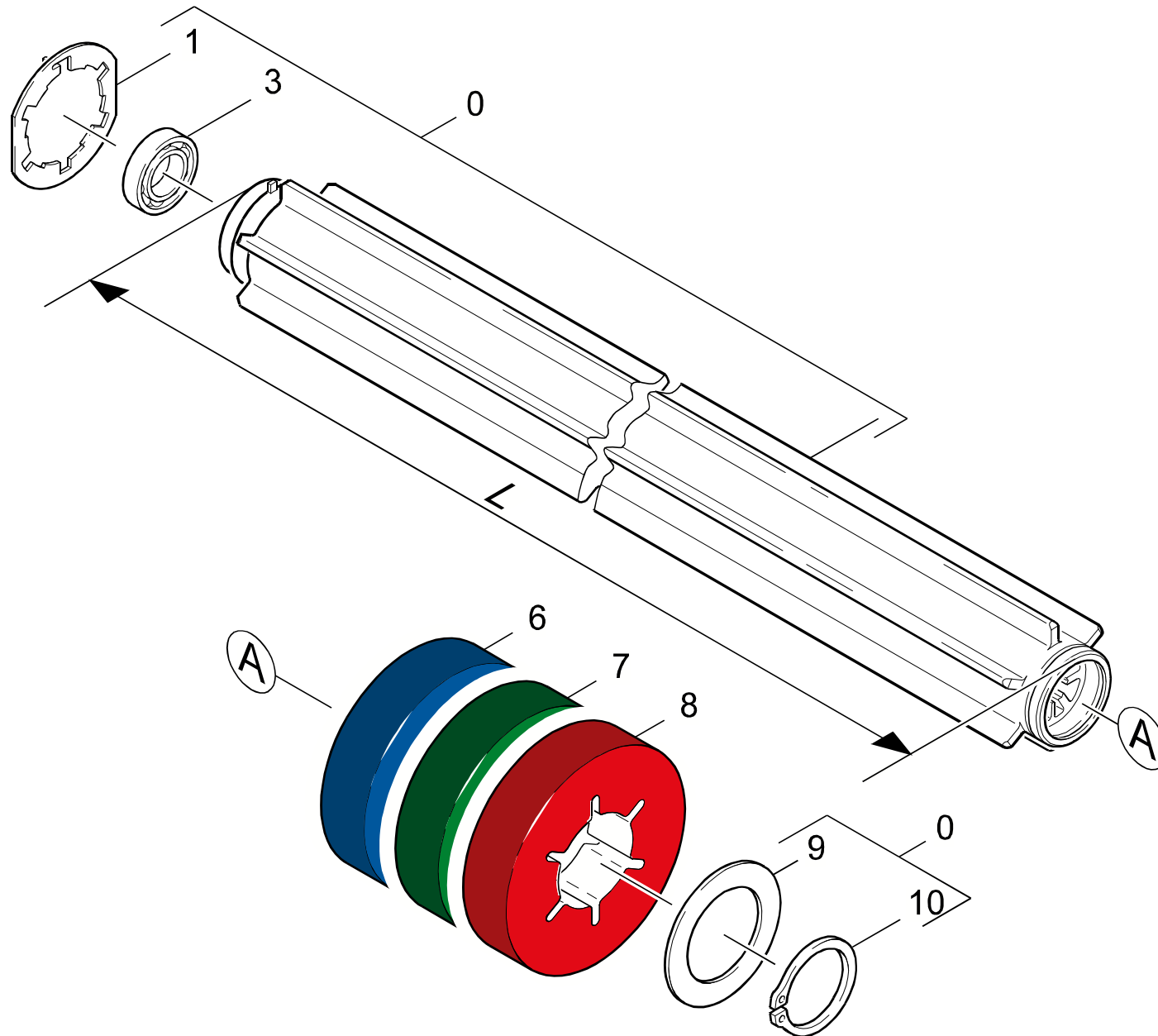
GRUPPE: 14.0ZUBEHOER PAD-WALZE  
GROUP: 14.0ACCESSORIES  
GRUPPE: 14.0ACCESSOIRES

**A14**

**BR 700**

**GRUPPE: 14.0ZUBEHOER PAD-WALZE**  
**GROUP: 14.0ACCESSORIES**  
**GRUPPE: 14.0ACCESSOIRES**





Symbolbeschreibung siehe M16 / symbol description see M16 / désignation de système voir M16 /

GRUPPE: 14.0ZUBEHOER PAD-WALZE  
GROUP: 14.0ACCESSORIES  
GRUPPE: 14.0ACCESSOIRES

# C14

# BR 700

POS. ITM. POS.	BENNENNUNG DESCRIPTION DESIGNATION	TEILE-NR. PART-NO. NO.PIECE	STCK QTY. NBR.
0	WALZE PAD / REVERSING ROLLING MILL / TAMBOUR <b>L = 632 MM</b>	4.762-188.0	1
1	SCHEIBE VERSCHLUSS / WASHER / RONDELLE	5.115-746.0	1
3	KUGELLAGER 6201-2RS / BALL BEARING / ROULEMENT A BILLE	7.401-169.0	1
6	PAD-GELB-105-20ST / PAD YELLOW 105 20PCS / PAD JANUE 105 QTE 20	6.369-454.0	1
7	PAD-GRUEN-105-20ST / PAD GREEN 20PCS / TAMPON VERT QTE 20	6.369-455.0	1
8	PAD-ROT-105-20ST / PAD RED 105 20PCS / TAMPON ROUGE 105 QTE 20	6.369-456.0	1
9	RONDE / RONDE / FLAN CIRCULAIRE	5.005-267.0	1
10	S-RING 50X2,0 / SPRING CLIP / CIRCLIP	7.343-037.0	1

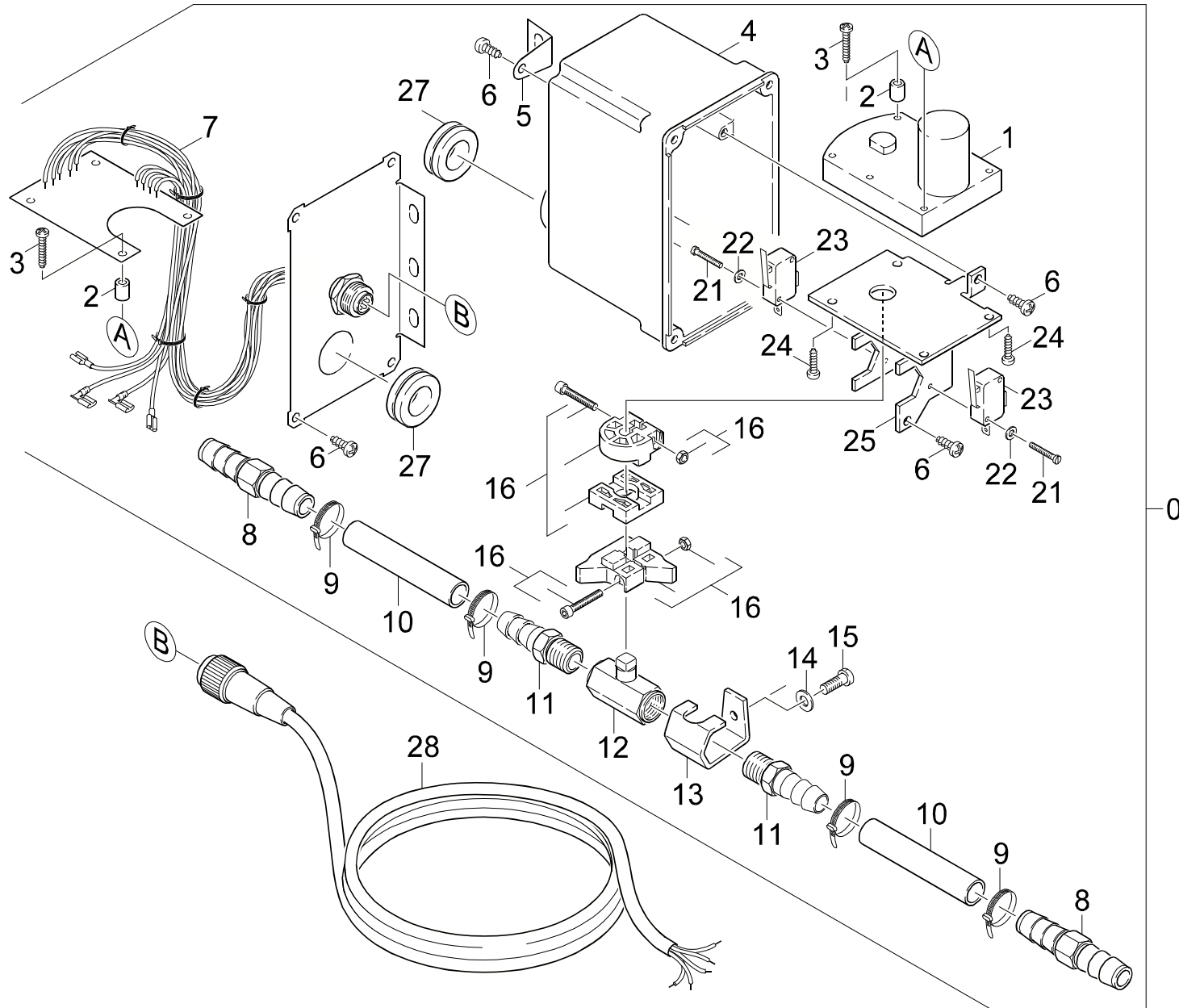
"=> xxxxxx" = bis Werknummer / up to serial No. / jusqu' au No. de fabr. / "xxxxxx =>" = ab Werknummer / from serial No. / a partir du No. de fabr. /

GRUPPE: 15.0ABS-VENTIL / 2.639-454.0 /  
GROUP: 15.0ADD ON KIT VALVE / 2.639-454.0 /  
GRUPPE: 15.0KIT PORTEE SOUPAPE / 2.639-454.0 /

**A15**

**BR 700**

**GRUPPE: 15.0ABS-VENTIL**  
**GROUP: 15.0ADD ON KIT VALVE**  
**GRUPPE: 15.0KIT PORTEE SOUPAPE**



Symbolbeschreibung siehe M16 / symbol description see M16 / désignation de système voir M16 /

GRUPPE: 15.0ABS-VENTIL / 2.639-454.0 /  
 GROUP: 15.0ADD ON KIT VALVE / 2.639-454.0 /  
 GROUPE: 15.0KIT PORTEE SOUPE / 2.639-454.0 /

**C15**

**BR 700**

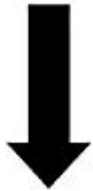
POS. ITM. POS.	BENNENUNG DESCRIPTION DESIGNATION	TEILE-NR. PART-NO. NO.PIECE	STCK QTY. NBR.
0	VENTIL / VALVE / SOUPE	4.580-370.0	1
1	MOTOR KPL. / MOTOR / MOTEUR	4.623-467.0	1
2	DISTANZHUELSE / SPACER SLEEVE / ENTRETOISE	6.347-076.0	2
3	SCHRAUBE 4 X 22 / SCREW / VIS	7.303-096.0	2
4	GEHAEUSE / HOUSING / BOITIER	5.060-815.0	1
5	BLECH RECHTS / PLATE / TOLE	5.006-192.0	1
6	SCHRAUBE 5 X 12 / SCREW / VIS	7.303-097.0	7
7	ELEKTRONIK / ELECTRONICS / ELECTRONIQUE	6.682-488.0	1
8	TUELLE 14 / RUBBER BUSHING / MANCHON	6.388-715.0	2
9	KABELBAND 8-210 / CABLE TIE / PROTECT. DE CABLE	6.641-474.0	4
10	SCHLAUCH DN12,5 / HOSE / TUYAU FLEXIBLE	6.388-248.0	1
	<b>ALS METERWARE BESTELLEN/TO ORDER AS CUT GOODS/COMMANDE COMME MARCHANDISE AU METRE</b>		
11	SCHLAUCHNIPPEL / HOSE STEM / RACCORD DE FLEXIBLE	6.389-898.0	2
12	KUGELHAHN / BALL VALVE / ROBINET SPHERIQUE	6.412-289.0	1
13	HALTER / BRACKET / FIXATION	5.044-325.0	1
14	SCHEIBE A 6,4 / WASHER / RONDELLE	7.312-045.0	1
15	SCHRAUBE M 6X 16 / SCREW / VIS	7.303-047.0	1
16	ERSATZTEILSATZ / SPARE PARTS KIT / KIT DE PIECES	2.884-162.0	1
21	SCHRAUBE M 3X 20 / SCREW / VIS	7.303-029.0	4
22	SCHEIBE A 3,2 / WASHER / RONDELLE	7.312-043.0	4
23	SCHALTER / SWITCH / INTERRUPTEUR	6.630-143.0	2
24	SCHRAUBE 4 X 16 / SCREW / VIS	7.303-129.0	2
25	RAHMEN / FRAME / CADRE	5.050-120.0	1
27	DURCHFUEHR.TUELLE / BUSH / DOUILLE DE TRAVERSEE	6.648-230.0	2
28	KABEL / CABLE / CABLE	6.648-245.0	1

"=> xxxxxx" = bis Werknummer / up to serial No. / jusqu' au No. de fabr. / "xxxxxx =>" = ab Werknummer / from serial No. / a partir du No. de fabr. /

## Bestellhinweis

Bei Ihrer Bestellung sind unbedingt anzugeben :

- |   |   |  |   |   |
|---|---|--|---|---|
| <b>1.</b><br>Gerätetyp<br>Machine model<br>Type d'appareils | <b>2.</b><br>Herstell-Nr.<br>Serial-No.<br>No. de série | <b>3.</b><br>Benennung<br>Description<br>Désignation | <b>4.</b><br>Teile-Nr.<br>Part No.<br>Référence | <b>5.</b><br>Stückzahl<br>Piece No.<br>Quantité |
|---|---|--|---|---|



**siehe Typenschild  
see name-plate  
voir plaque signalétique**



**siehe Ersatzteilliste  
see spare parts list  
voir liste des pièces de rechange**

- Die Ersatzteile, welche als Meterware geliefert werden, sind auf Einbaulänge selbst zu kürzen. Ebenso sind die Stückzahlen in den jeweiligen Gruppen als Mindestbestellmengen = 1m angegeben und können je nach Bedarf auf weitere volle Meterzahlen erhöht und bestellt werden.
- Spare Parts which are delivered as cut goods have to be shortened to installation length. The quotation of quantity in each group refers to the minimum order quantity = 1m and may be ordered and raised to further full metre-values according to demand
- Les pièces de rechange qui sont livrées comme marchandise au mètre sont à raccourcir selon la longueur d'installation. Les indications de quantité dans chaque group se réfèrent à des valeurs de mètre de plus.
- Diese Ersatzteilliste erscheint in gedruckter Form sowie als Mikrofiche. Bei Querverweisen bezieht sich die Angabe "Seitenzahl" auf die gedruckte Ersatzteilliste und die Angabe "Bildtafel" auf die Mikrofichenausgabe.
- This spare parts list is published both in printed form and as a microfiche. In the cross-references, "page number" refers to the printed spare parts list and "display table" to the microfilm edition.
- Cette liste de pièces de rechange est aussi bien imprimée que publiée sous forme de microfiche. Les indications transversales renvoient au "numéro de page" sur la liste imprimée des pièces de rechange et à la "planche" sur la microfiche.

Bitte beachten Sie, daß der Teileumfang dieser Ersatzteilliste nicht unbedingt dem Lieferumfang Ihres Gerätes entspricht.

For your information: It could be that certain parts quoted in this spare parts list were not included with the machine delivery.

Pour votre information: il se peut que certaines pièces détachées mentionnées sur la liste ne vous aient pas été livrées avec l'appareil.

Die in dieser Ersatzteilliste nicht aufgeführten Einzelteile, bestellen Sie bitte direkt beim Vertragskundendienst des jeweiligen Herstellers.

Please order the individual parts not included in this assembly directly with the contract aftersales service of the manufacturer in question.

Veillez s'il vous plaît, commander les pièces détachées qui ne sont indiquées dans notre liste des pièces détachées, directement auprès du service après-vente des fabricants en question.

Bei Bestellung von lackierten Teilen, welche in der Ersatzteilliste nicht in verschiedenen Farben ausgewiesen sind, ist zusätzlich die Farbnummer oder Farbe mit anzugeben. Diese finden Sie auf dem Typenschild oder Farbschild Ihres Gerätes.

Upon ordering of varnished parts which are not mentioned in the spare parts list as parts with different colors, kindly additionally mention the number of the color. It can be seen on the type plate of the color plate of your machine.

Commandant des parts vernissés qui ne sont pas mentionnés comme parts avec une couleur différente dans la liste des pièces détachées, veuillez mentionner de plus le numéro de la couleur. Il se trouve sur la plaque signalétique ou la plaque de couleur de votre machine.

Auflistungen von Einzelteilen bei Ersatzteil - u. Pumpensets sind in der Reihe "16" einzusehen, bzw. direkt unter dem entsprechenden Set aufgelistet.

Listings of single parts upon spare parts kits and pump kits can be seen in row "16" or directly listed below the corresponding kit.  
Des établissements des pièces détachées en ce qui concerne les kits des pièces de rechange et les kits de pompes, peuvent être vus à la ligne "16" ou ils sont répertoriés directement au-dessous du jeu correspondant.

Technische Änderungen im Rahmen der Weiterentwicklung sowie das Recht der ausschließlichen Auswertung unseres geistigen Eigentums behalten wir uns vor. Vervielfältigung und Nachdruck nur mit Genehmigung und Urheberhinweis möglich.

We reserve the right to make technical changes in the course of development work and the right to make exclusive use of our intellectual property. This spare parts list may be duplicated or reprinted only with our approval and with acknowledgement of our copyright.

Nous nous réservons le droit de toutes modifications techniques dans le cadre du perfectionnement des mises au point ainsi que le droit de la mise en valeur exclusive de notre propriété intellectuelle. Polycopie et reproduction exclusivement après accord et avec mention de l'auteur.

GRUPPE: 1.0 GERAET-OBERTEIL	A1-I1	GRUPPE: 9.0 ANTRIEB	A9-E9
GROUP: 1.0 APPLIANCE TOP PART		GROUP: 9.0 GEAR	
GRUPPE: 1.0 USTENSILE PARTIE SUPER.		GRUPPE: 9.0 ENTRAINEMENT	
GRUPPE: 2.0 WASSERTANK	A2-G2	GRUPPE: 10.0 ARBEITSKOPF	A10-G10
GROUP: 2.0 WATER TANK		GROUP: 10.0 WORKING HEAD	
GRUPPE: 2.0 RESERVOIR A EAU		GRUPPE: 10.0 TETE DE TRAVAIL	
GRUPPE: 3.0 SCHUBBUEGEL	A3-C3	GRUPPE: 11.0 ARBEITSKOPF -ANTRIE	A11-E11
GROUP: 3.0 SHEARING SHACKLE		GROUP: 11.0 WORKING HEAD	
GRUPPE: 3.0 L'ARCHET DE POUSEE		GRUPPE: 11.0 TETE DE TRAVAIL	
GRUPPE: 4.0 LEITUNGSSYSTEM	A4-C4	GRUPPE: 12.0 BATTERIE U. LADEGE.	A12-C12
GROUP: 4.0 PIPING		GROUP: 12.0 BATTERY	
GRUPPE: 4.0 PIPELINE		GRUPPE: 12.0 BATTERIE	
GRUPPE: 5.0 SCHALTKASTEN	A5-C5	GRUPPE: 13.0 HUBMOTOR-EINZELTEIL	A13-C13
GROUP: 5.0 SWITCH BOX		GROUP: 13.0 HOISTING MOTOR-PIECE PART	
GRUPPE: 5.0 COFFRET ELECTRIQUE		GRUPPE: 13.0 MOTEUR DE LEVAGE-PIECES	
GRUPPE: 6.0 STEUERUNG	A6-G6	GRUPPE: 14.0 ZUBEHOER PAD-WALZE	A14-C14
GROUP: 6.0 CONTROL SYSTEM		GROUP: 14.0 ACCESSORIES	
GRUPPE: 6.0 COMMANDE		GRUPPE: 14.0 ACCESSOIRES	
GRUPPE: 7.0 SAUGEINRICHTUNG	A7-I7	GRUPPE: 15.0 ABS-VENTIL	A15-C15
GROUP: 7.0 SUCTION PART		GROUP: 15.0 ADD ON KIT VALVE	
GRUPPE: 7.0 INSTALLATION D'ASPIRATION		GRUPPE: 15.0 KIT PORTEE SOUPAPE	
GRUPPE: 8.0 ARBEITSKOPF -AUFHAE	A8-E8		
GROUP: 8.0 WORKING HEAD			
GRUPPE: 8.0 TETE DE TRAVAIL			



BEISPIEL: VERSION 1  
EXAMPLE: VERSION 1  
EXEMPLE: VERSION 1

**3.0**

BEISPIEL: SIEHE IN GRUPPE 3  
EXAMPLE: SEE IN GROUP 3  
EXEMPLE: VOIR EN GROUPE 3



WICHTIGER HINWEIS  
IMPORTANT REMARK  
REMARCAQUAGE IMPORTANT

GRUPPE 1-16 = MIKROFILM 1 GRUPPE 17-32 = MIKROFILM 2  
GROUP 1-16 = MICROFICHE 1 GROUP 17-32 = MICROFICHE 2  
GROUPE 1-16 = MICROFICHE 1 GROUPE 17-32 = MICROFICHE 2

BESTELLHINWEIS SIEHE M15  
EXAMPLE ORDER SEE M15  
EXEMPLE DE COMMANDE VOIR M15

VARIANTENÜBERSICHT SIEHE L16  
VARIANTS SURVEY SEE L16  
VUE D'ENSEMBLE DE VARIANTS VOIR L16