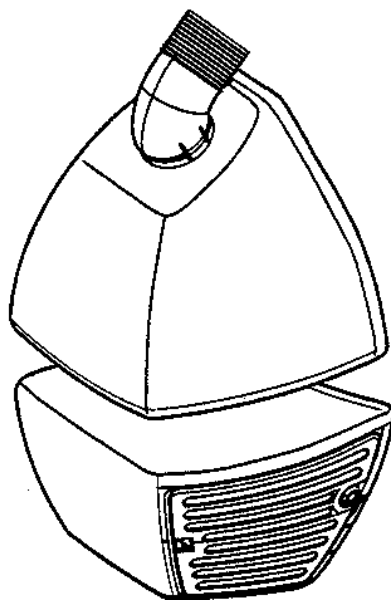


BackVacuum



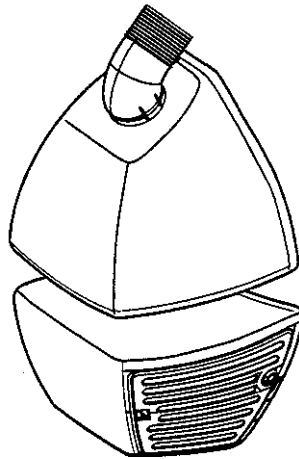
PARTS LIST

Advance MODELS 56100901, 56100902, 17900013



**Nilfisk
Advance**
setting standards

05/00
FORM NUMBER 56042353
82239900

TABLE OF CONTENTS SERVICE KIT**05/00****BACKVACUUM****3**

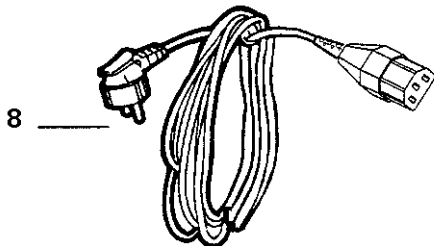
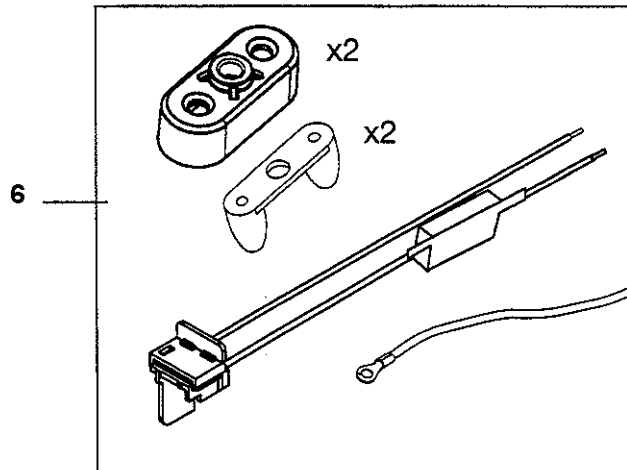
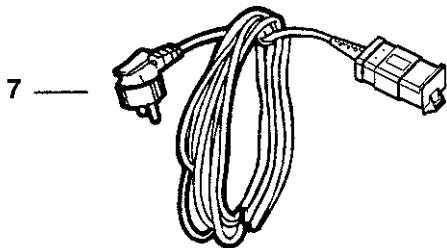
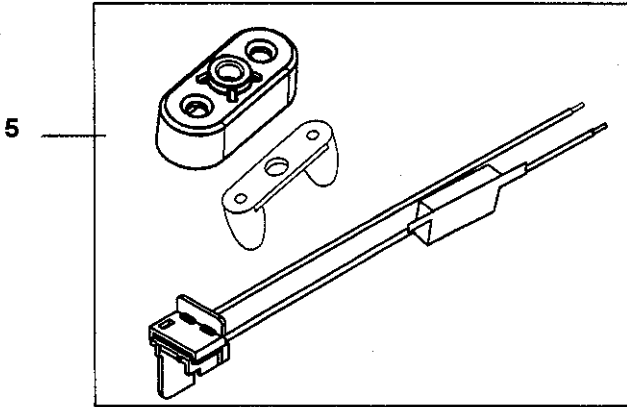
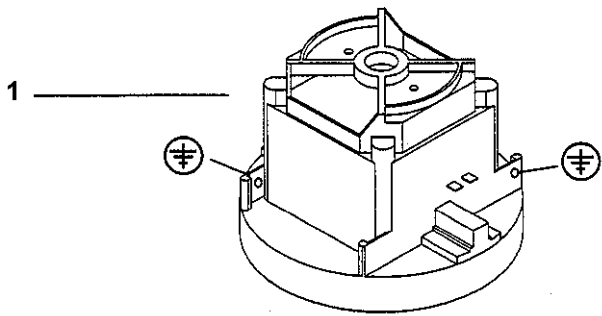
DESCRIPTION	PLAN
Motors, internal wires and cords	4
Container upper parts	6
Container lower parts	8
Electric units	10
Motor filter and exhaust filter (Standard/HEPA)	12
Nozzles	14
Tubes, hose and dust bag	16
NilfiskMop	18
Electrical Diagram, double insulated versions	20
Electrical Diagram, grounded versions	21

MOTOR SERVICE KIT

4

MOTOR AND CORD TYPES, BACKVACUUM

05/00



Cord			
	Voltage	Plug type	
US Grounded	120		
US/Japan D.insulated	120		

MOTOR SERVICE KIT**05/00****MOTOR AND CORD TYPES****5**

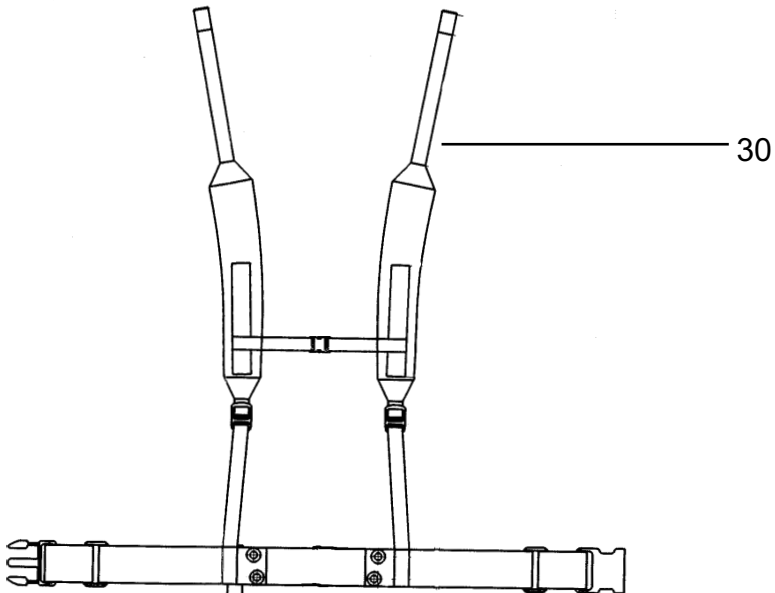
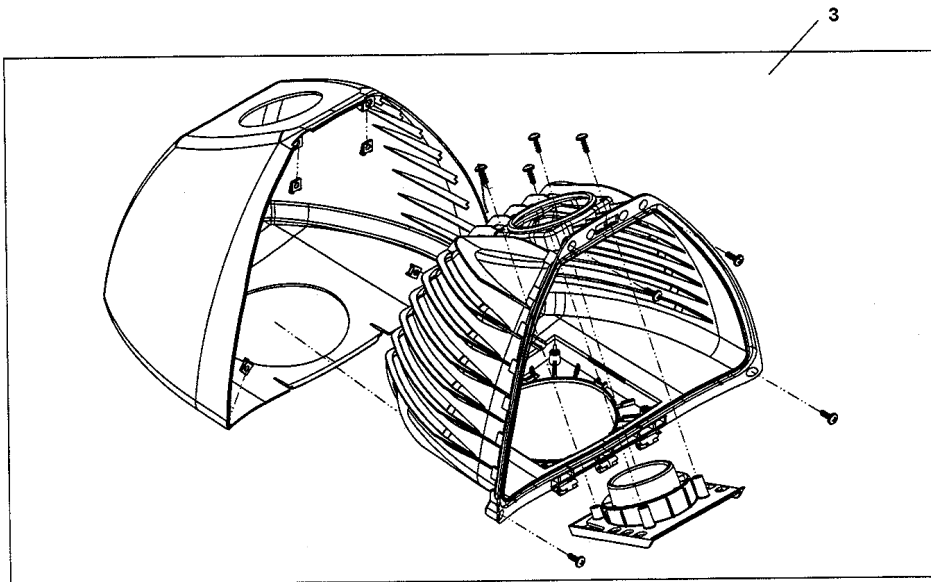
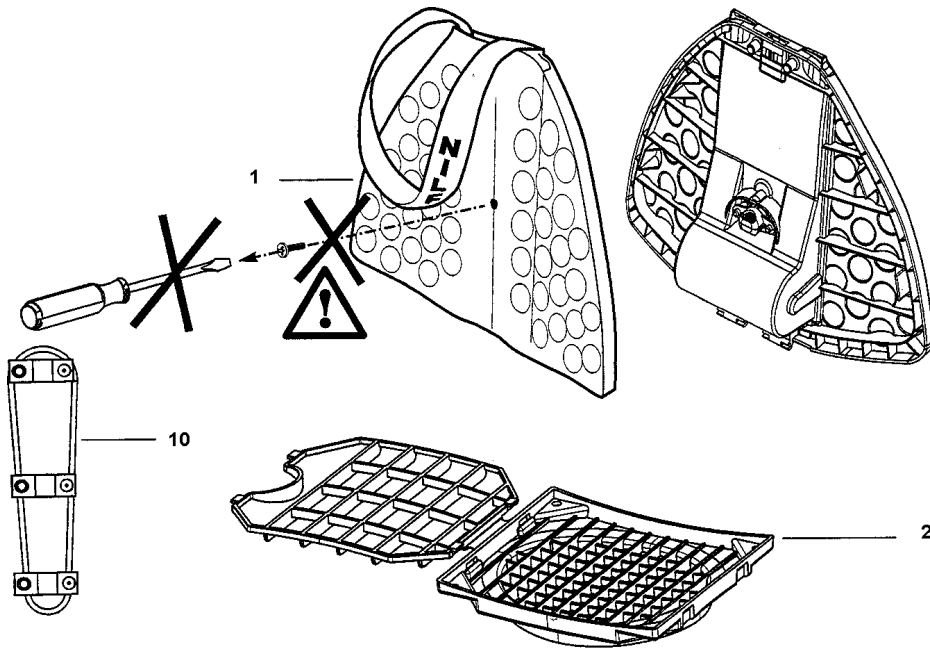
Item	Ref.No.	Qty.	Description	Note	EAN code 5715492+
1			Motor/fan unit for:	Mat.: plast and steel	
	56100947	1	110-120V, 50-60Hz, 1000W , grounded		+008420
	12125003	1	110-120V, 50-60Hz, 1000W, d.insulated		+003020
5	56100904	1	Internal wire kit for for d.insulated version, with thermo switch and cable relief	Mat.: PVC and copper, PP	+006793
6	56100948	1	Internal wire kit for for grounded version, with thermo switch and cable relief	Mat.: PVC and copper, PP	+008308
7,8			Cord with plug and socket. Length=15m	Mat.: PVC and copper	
	56100949	1	US, grounded version		+008285
	140 7679 000	1	US, grounded 16 AWG for model 17900013		7319519509762
	56100905	1	US, Japan, Canada		+006861
10	56100906	1	Strain relief bush		+008285

CONTAINER SERVICE KIT

6

UPPER PART BACKVACUUM

05/00



CONTAINER SERVICE KIT**05/00****UPPER PART BACKVACUUM****7**

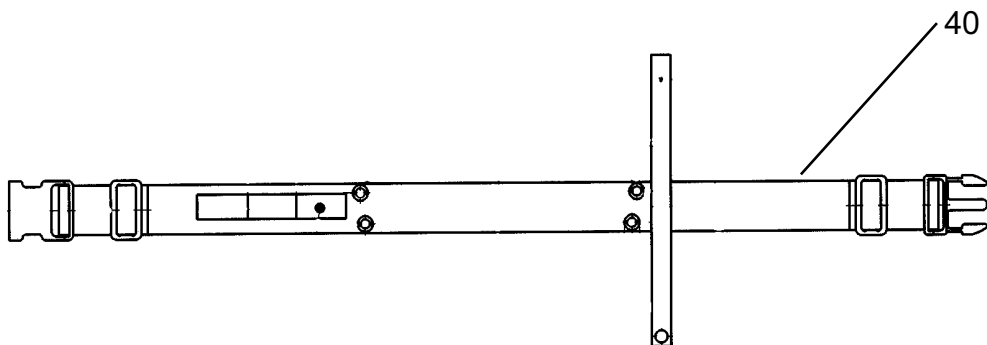
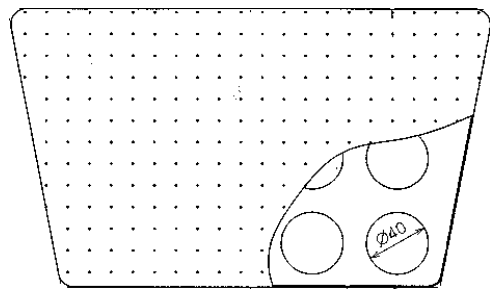
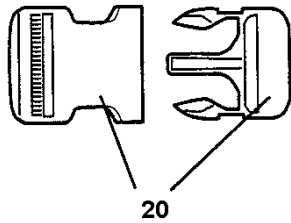
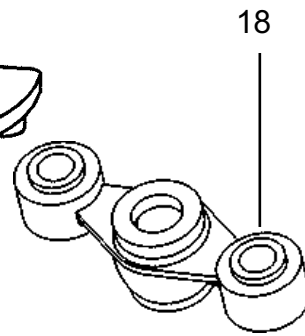
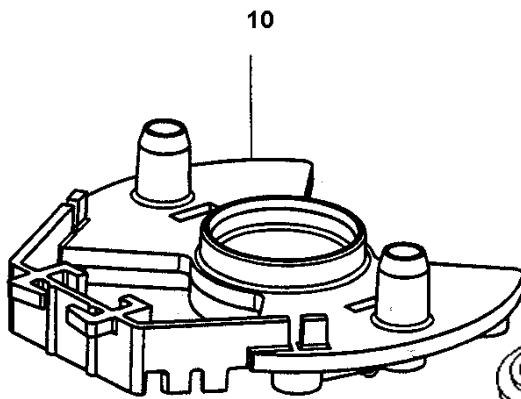
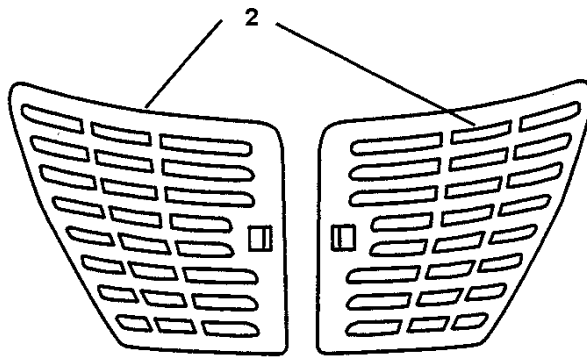
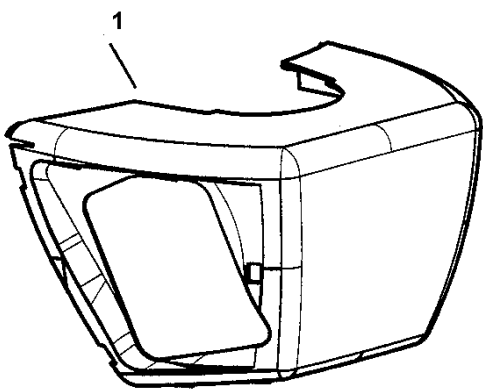
<u>Item</u>	<u>Ref.No.</u>	<u>Qty.</u>	<u>Description</u>	<u>Note</u>	<u>EAN code 5715492+</u>
1	56100907	1	Dust chamber lid complete	Mat.: ABS grey RAL 7001	+006694
2	56100908	1	Frame for main filter complete		+006755
3	56100944	1	Dust chamber complete	Mat.: ABS	+007806
10	56100939	1	Shoulder pad, 2 pcs.		+007400
30	140 7935 000		Fixed straps, kit Mounted on a dust chamber lid. Mounting instruction is included. Note! The replacement to fixed straps must be performed by a skilled or instructed person only.	Mat.:Polyprop.	7319519508574

CONTAINER SERVICE KIT

8

LOWER PART BACKVACUUM

05/00



CONTAINER SERVICE KIT**05/00****LOWER PART BACKVACUUM****9**

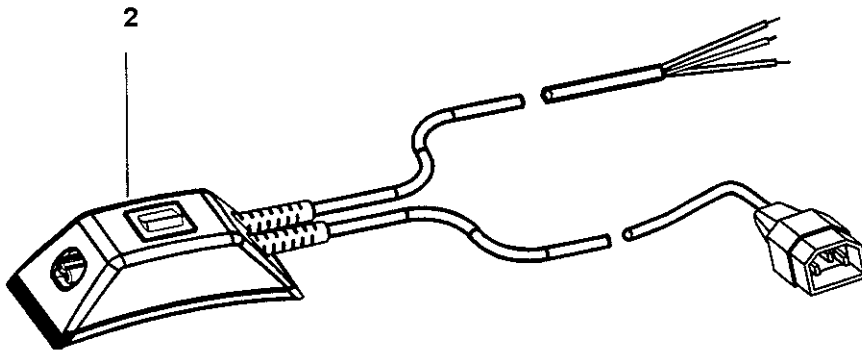
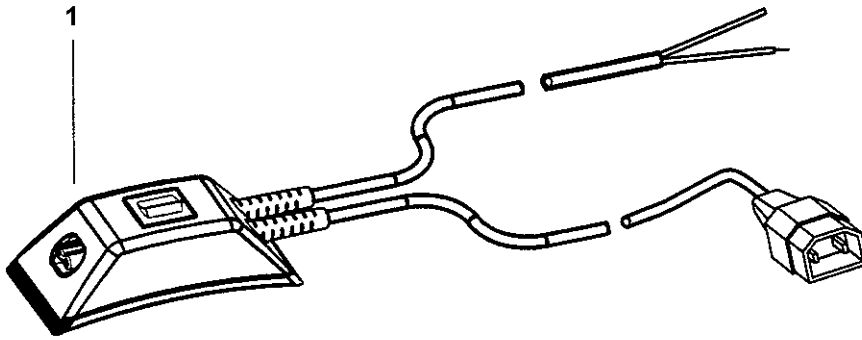
Item	Ref.No.	Qty.	Description	Note	EAN code 5715492+
1	56100909	1	Motor housing cover	Mat.: ABS colour: grey, RAL 7001	+006809
2	56100910	1	Grid,one left and one right	Mat.: ABS colour:grey RAL 7001	+006700
10	56100911	1	Motor suspension		+006748
18	82157400	1	Rubber suspension	Mat.: Rubber type S8R	7319519492941
20	56100912	1	Buckles male/female complete	Mat.: PP colour:black	+006786
30	140 7934 000		Mesh cushion cpl. With velcro tape	Mat.: Polyester Airmesh and hard foam. colour:black	7319519509205
40	82152500		Belt cpl.	Mat.; Polypr. web. Eylet; bronze + nickel coated	7319519492781

ELECTRICAL SWITCH SERVICE KIT

10

ELECTRICAL UNIT BACKVACUUM

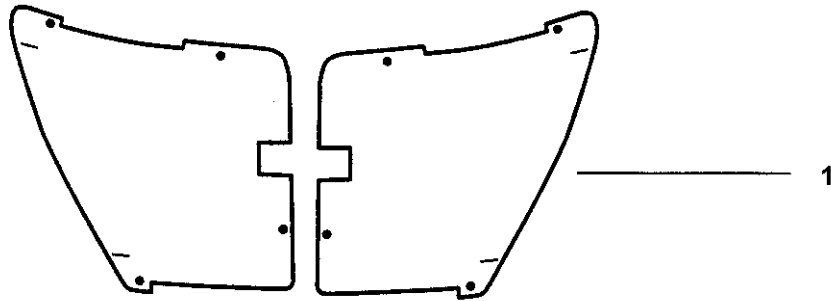
05/00



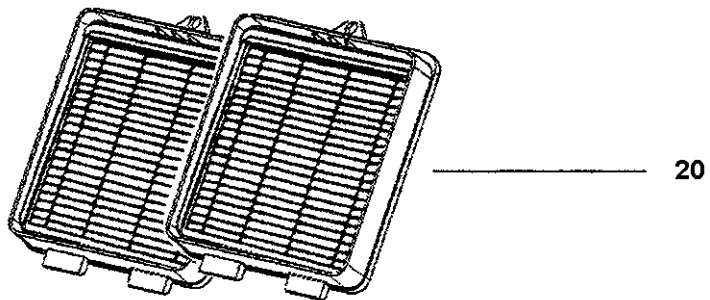
ELECTRICAL SWITCH SERVICE KIT**05/00****ELECTRICAL UNIT BACKVACUUM****11**

Item	Ref.No.	Qty.	Description	Note	EAN code 5715492+
			Electrical unit, complete	With electrical outlet for electro nozzle colour: grey cord: black	
1	56100913	1	US, double insulated		+007134
2	56100950	1	US, grounded version		+008292

		FILTER SERVICE KIT BACKVACUUM	
	12	EXHAUST FILTERS (STANDARD/HEPA)	05/00



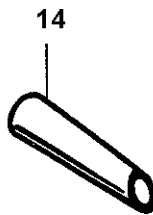
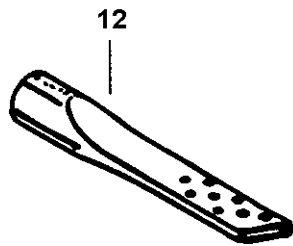
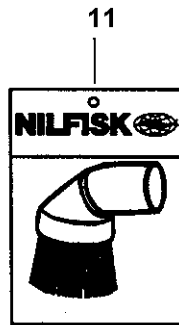
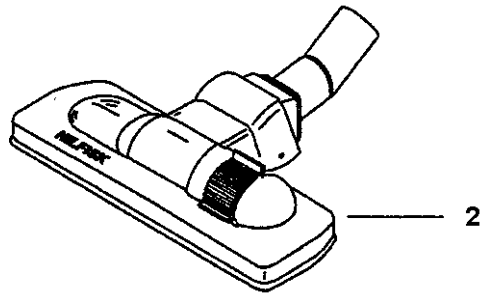
1



20

FILTER SERVICE KIT BACKVACUUM**05/00****EXHAUST FILTERS (STANDARD/HEPA)****13**

Item	Ref.No.	Qty.	Description	Note	EAN code 5715492+
1	56100952	1	Exhaust diffuser filter	Two pieces	+008650
20	56100915	1	Exhaust HEPA filter (two filters)	Area:1300 cm ² Filtration: H13	+006717



NOZZLES Ø32MM**05/00****BACKVACUUM****15**

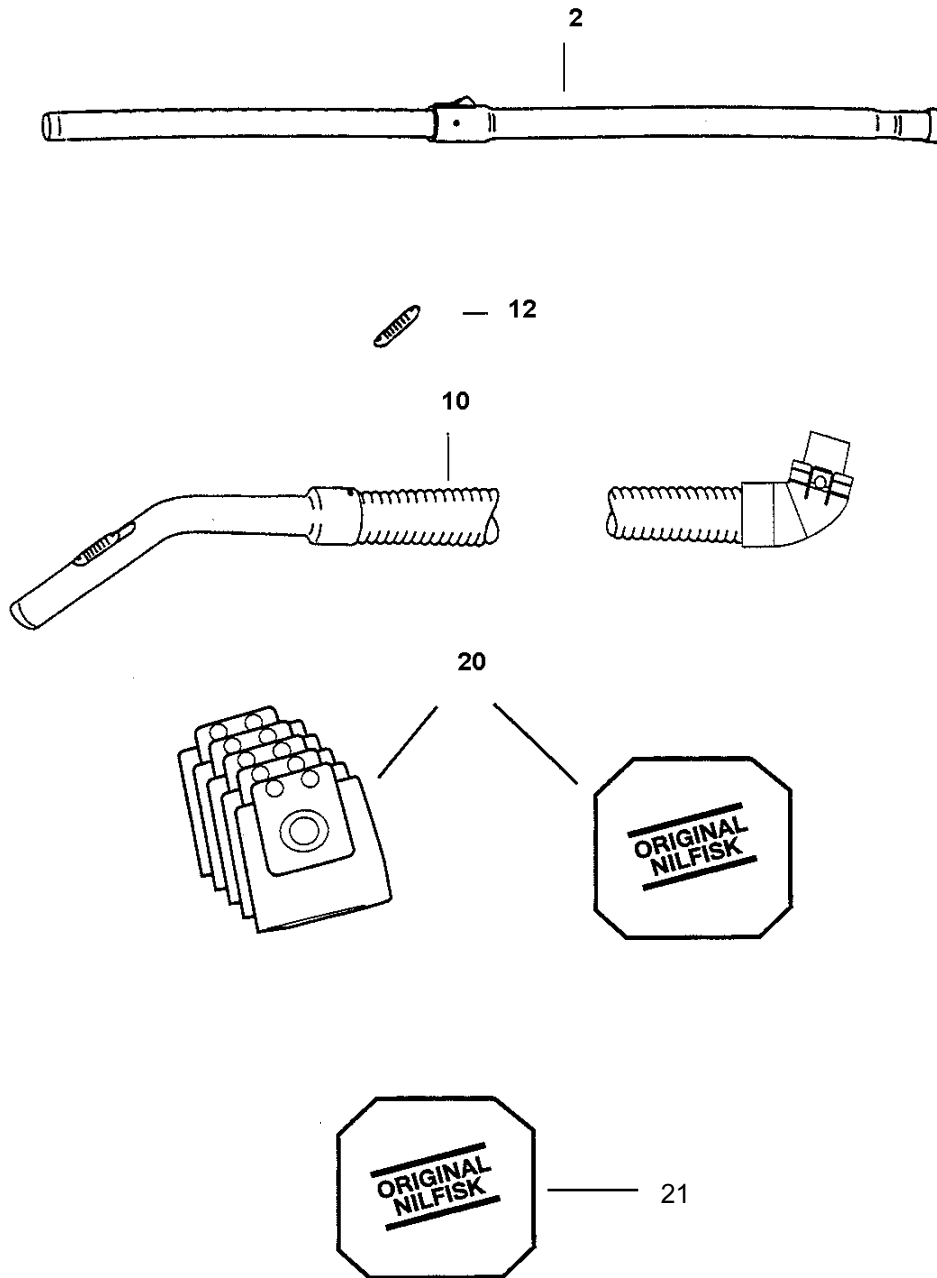
<u>Item</u>	<u>Ref.No.</u>	<u>Qty.</u>	<u>Description</u>	<u>Note</u>	<u>EAN code 5715492+</u>
2	56208625	1	Roller combi nozzle 3032	Plastic	+002573
10	56100921	1	Upholstery nozzle with insertion	Plastic width 130 mm	+002658
11	56100922	1	Round brush, turnable with black natural bristles width 70 mm packed in a plastic bag		+005451
12	81530400	1	Crevice nozzle, width 245 mm	Plastic	
14	56100923	1	Flexible nozzle, length 150 mm	Plastic	

ACCESSORIES Ø32MM

16

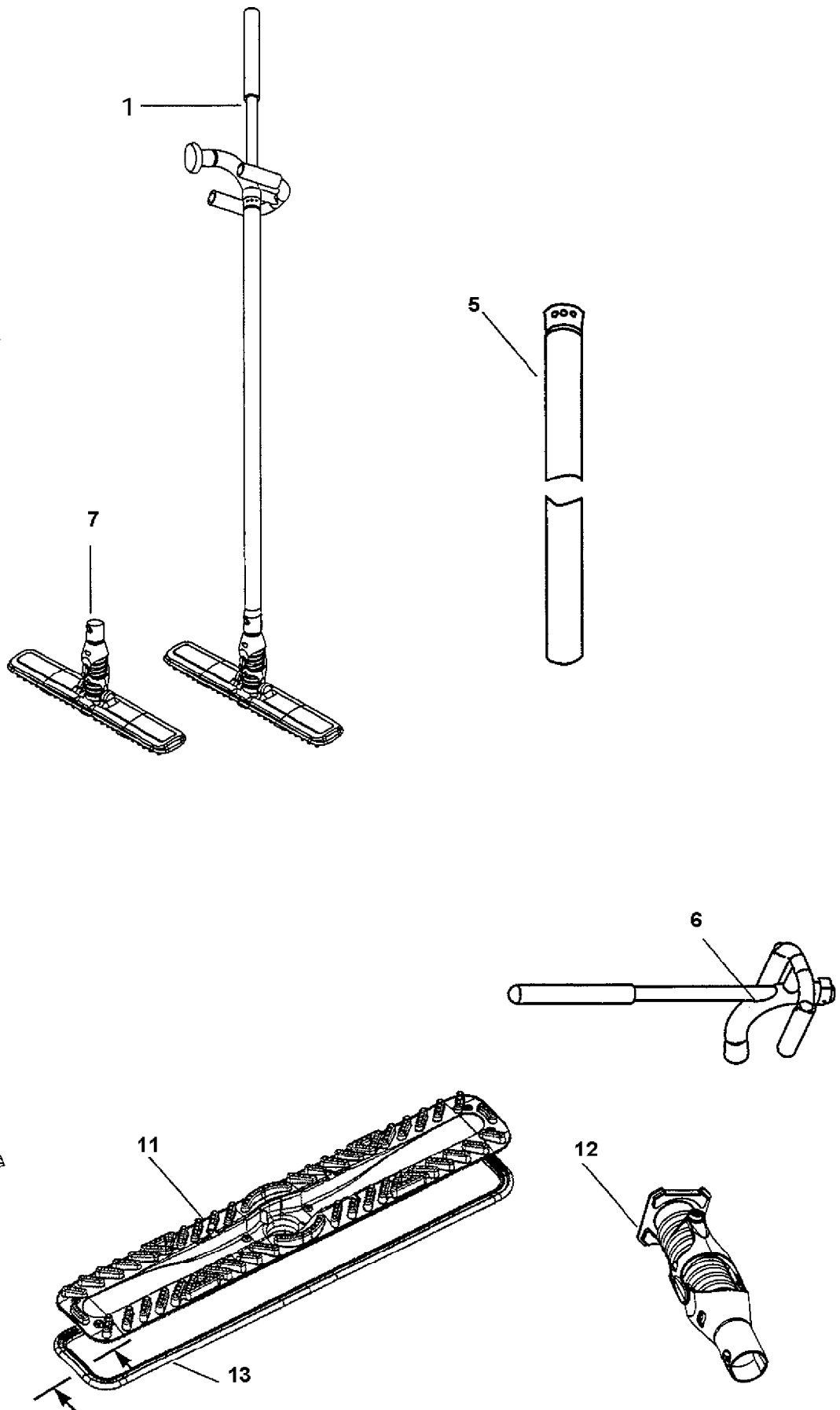
TUBES, HOSE AND DUST BAG. BACKVACUUM

05/00



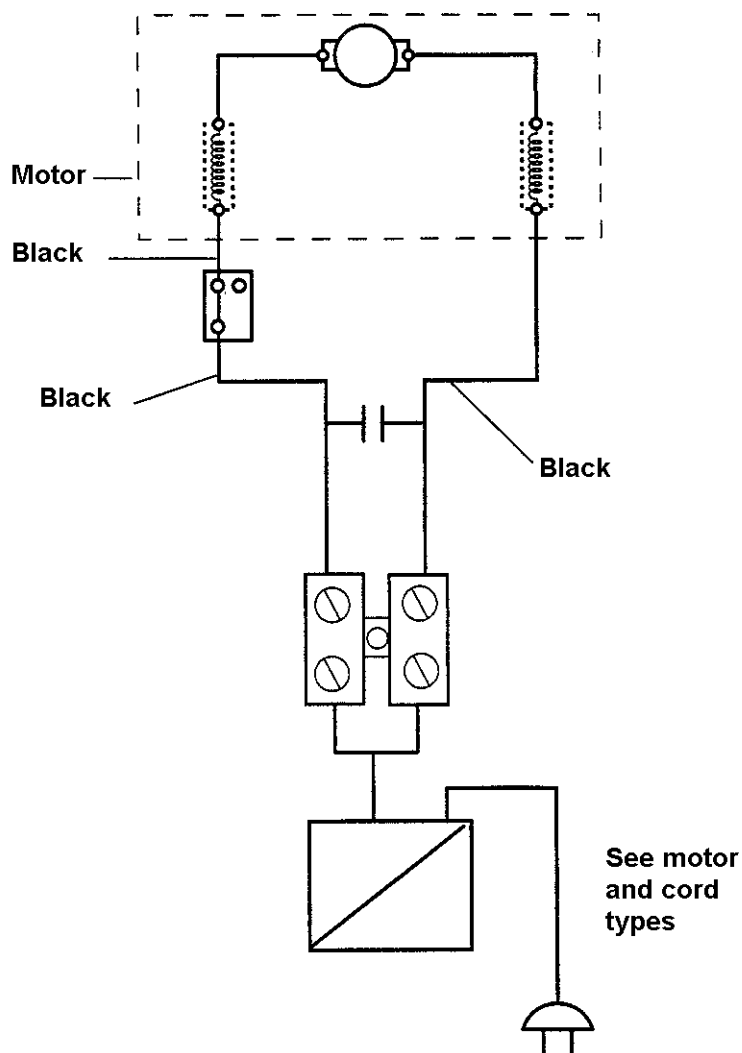
ACCESSORIES Ø32MM**05/00****TUBES, HOSE AND DUST BAG. BACKVACUUM****17**

<u>Item</u>	<u>Ref.No.</u>	<u>Qty.</u>	<u>Description</u>	<u>Note</u>	<u>EAN code 5715492+</u>
2	56100916	1	Tube, telescopic. Length max 1130 mm	Steel	
10	56100917	1	Hose plastic with coupling and curved tube. Length 1150 mm	Plastic	+006762
12	56100951	1	Atmos, valve	Plastic	
20	56100919	1	Dust bag, 5 pcs. packed with one prefilter in a plastic bag		+006724
21	82154600	1	Prefilter, quantity one		7319519493443
	56100957	1	Prefilter, package of 10		



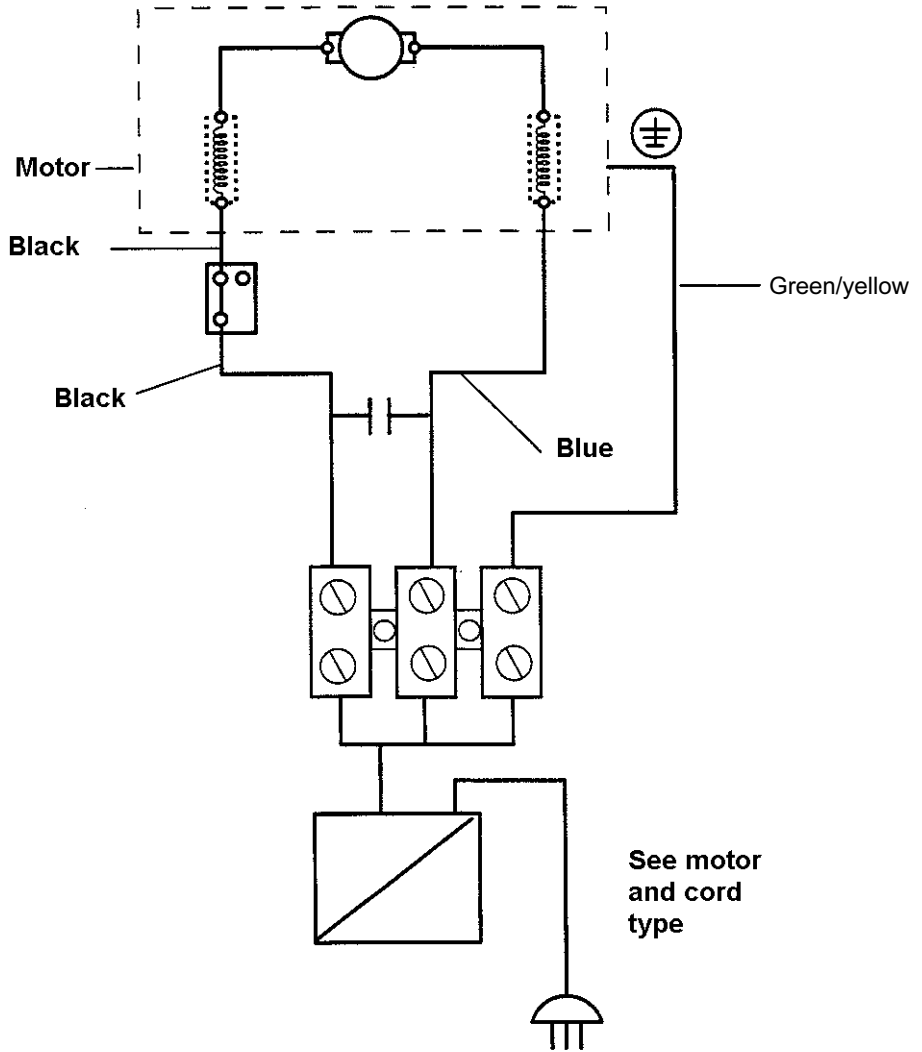
ACCESSORIES**05/00****NILFISKMOP™****19**

Item	Ref.No.	Qty.	Description	Note	EAN code 5715492+
1	56100388	1	Mop without hose Tube length = 1000 mm (medium) Height of person = 165-180 cm		+005536
5	56100440	1	Tube length 1000 mm		+005901
6	56100441	1	Handle		+005925
7	56100442	1	Mop nozzle		+006892
11	56100444	1	Foot plate with fender		+005628
12	56100445	1	Flexible neck		+005635
13	56100446	1	Fender list		+007462


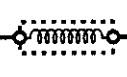
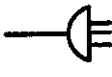



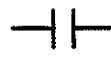


Symbol explanation

Armature	Field coil	Cord with plug	Terminal block	EI-unit with on/off switch and socket for ei-outlet	Thermo switch	Capacitor



Symbol explanation

						
Armature	Field coil	Cord grounded	Terminal block	EI-unit with on/off switch and socket for ei-outlet	Thermo switch	Capacitor

Man.:Nilfisk-Advance A/S Åmål Branch, P.O. Box 127, S-662 23 Åmål, Sweden