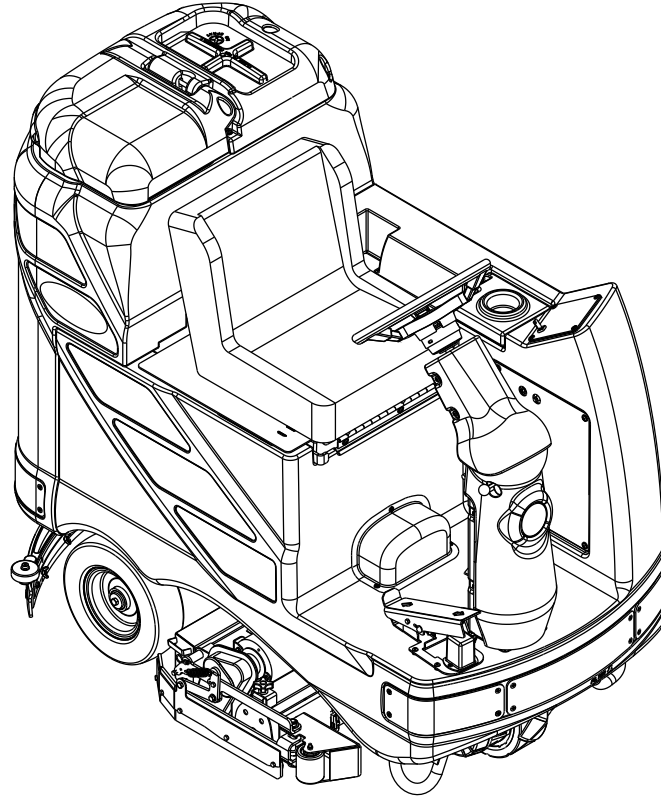


Adgressor™, Adgressor™ AXP

BR 850S, 950S, 1050S



PARTS LIST

Advance MODELS 56314661(2820D), 56314662(3220D), 56314663(2820C), 56314664(3220C)
56314826(3520D), 56314827(3820D), 56314828(3520C), 56314829(3820C),
56316514(2820C-AXP), 56316513(2820D-AXP), 56316502(3220C-AXP), 56316501(3220D-AXP),
56316506(3520C-AXP), 56316505(3520D-AXP), 56316508(3820C-AXP), 56316507(3820D-AXP)
Nilfisk MODELS 56314674(850S), 56314675(850SC), 56314830(950S), 56314831(1050S),
56314832(950SC), 56314833(1050SC), 56316512(1050SC EDS), 56316511(1050S EDS),
56316504(850SC EDS), 56316503(850S EDS), 56316510(950SC EDS), 56316509(950S EDS)



Nilfisk
Advance

setting standards

3/04 revised 3/08 FORM NO. 56042446

Item	Ref. No.	Qty	Description	Item	Ref. No.	Qty	Description
Common Kits				28" Disk Deck Blade Kits (Before TSBUS2004-884)			
**#	56314753	1	Kit, Onboard Charger TSBUS2004-872	**	56314126	1	Kit, Gum Rubber 28 Disk NOTE 2
**	56314301	1	Kit, Seat Armrests	**	56314172	1	Kit, Neoprene 28 Disk NOTE 2
**	56314302	1	Kit, Warning Beacon	**	56314397	1	Kit, Linatex 28 Disk NOTE 2
**	56314306	1	Kit, Right Side Broom	**#	56315724	1	Kit, Gum Rubber NOTE 3
**	56314308	1	Kit, Scrub-N-Vac Tool W/Pump	**#	56315723	1	Kit, Red Gum Rubber NOTE 3
**	56412223	1	Kit, Vacuum Wand Caddy	28" Disk Deck Blade Kits (After TSBUS2004-884)			
**	56314312	1	Kit, Seatbelt	**	56314913	1	Kit, Gum Rubber 28 Disk NOTE 2
**	56314313	1	Kit, Headlight	**	56314917	1	Kit, Linatex 28 Disk NOTE 2
Advance Only Kits				**#	56315722	1	Kit, Gum Rubber NOTE 3
**	56314834	A/R	Kit, Deck 2820D (Advance only)	**#	56315721	1	Kit, Red Gum Rubber NOTE 3
**	56314835	A/R	Kit, Deck 2820C (Advance only)	32" / BR 850S Disk Deck Blade Kits (Before TSBUS2004-884)			
**	56314714	A/R	Kit, Deck 3220D (Advance only)	**	56314127	1	Kit, Gum Rubber 32 Disk NOTE 2
**	56314837	A/R	Kit, Deck 3220C (Advance only)	**	56314173	1	Kit, Neoprene 32 Disk NOTE 2
**	56314838	A/R	Kit, Deck 3520D (Advance only)	**	56314398	1	Kit, Linatex 32 Disk NOTE 2
**	56314839	A/R	Kit, Deck 3520C (Advance only)	**#	56315724	1	Kit, Gum Rubber NOTE 3
**	56314840	A/R	Kit, Deck 3820D (Advance only)	**#	56315723	1	Kit, Red Gum Rubber NOTE 3
**	56314864	A/R	Kit, Deck 3820C (Advance only)	32" / BR 850S Disk Deck Blade Kits (After TSBUS2004-884)			
**	56397453	1	Kit, Battery Fill Indicator (Advance only)	**	56314914	1	Kit, Gum Rubber 32 Disk NOTE 2
**	56314981	1	Kit, Battery Watering (Advance only)	**	56314918	1	Kit, Linatex 32 Disk NOTE 2
**	56314338	A/R	Kit, Dual Vac Motor (Advance only)	**#	56315722	1	Kit, Gum Rubber NOTE 3
**#	56314698	1	Kit, Onboard Charger, GEL (Advance only)	**#	56315721	1	Kit, Red Gum Rubber NOTE 3
TSBUS2008-984				35" / BR 950S Disk Deck Blade Kit			
**#	56316251	1	Kit, Onboard Charger, AGM TSBUS2008-984	**	56314847	1	Kit, Neoprene 35 Disk NOTE 2
TSBUS2008-984				**	56314846	1	Kit, Linatex 35 Disk NOTE 2
Nilfisk Only Kits				**#	56315720	1	Kit, Red Gum Rubber NOTE 3
**	56314715	A/R	Kit, Deck BR 850S (Nilfisk only)	38" / BR 1050S Disk Deck Blade Kits			
**	56316525	A/R	Kit, Deck BR 850SC (Nilfisk only)	**	56314849	1	Kit, Neoprene 38 Disk NOTE 2
**	56316186	A/R	Kit, Dual Vac Motor, Nilfisk (Nilfisk only)	**	56314848	1	Kit, Linatex 38 Disk NOTE 2
				**#	56315720	1	Kit, Red Gum Rubber NOTE 3
Replacement parts for the kits listed above can be found on each kit's associated instruction sheet.				Accessories			
				**	56409441	A/R	Programmer, 1311 User
				**	56409823	A/R	Programmer Cable
				Advance Optional Batteries			
**	56314303	1	Kit, Standard Squeegee Blade NOTE 1	**#	56315959	6	Battery, 6V, 315A/H AGM (Advance only)
**	56314304	1	Kit, Linatex Squeegee Blade NOTE 1	TSBUS2008-984			
**	56314305	1	Kit, Neoprene Squeegee Blade NOTE 1	**#	56391391	6	Battery, 6V, 305A/H (Advance only)
				TSBUS2008-984			
32" / BR 850S Squeegee Blade Kits				**#	56206079	6	Battery, 6V, 235A/H (Advance only)
**	56314060	1	Kit, Standard Squeegee Blade NOTE	TSBUS2008-984			
**	56314061	1	Kit, Linatex Squeegee Blade NOTE 1	Advance Optional Battery Chargers			
**	56314062	1	Kit, Neoprene Squeegee Blade NOTE 1	**	56395101	A/R	Charger, 36VDC, Auto, 20Amp, 120VAC/60HZ (Advance only)
				**	56388502	A/R	Charger, 36VDC, Auto, 25Amp, 120VAC/60HZ (Advance only)
35" / BR 950S Squeegee Blade Kits				**	56388120	A/R	Charger, 36VDC, Auto, 36Amp, 120VAC/60HZ (Advance only)
**	56314865	1	Kit, Linatex Squeegee Blade NOTE 1	**	56372190	A/R	Charger, 36VDC, 20Amp, 230VAC/50HZ (Advance only)
**	56314843	1	Kit, Neoprene Squeegee Blade NOTE 1	**	56388119	A/R	Charger, 36VDC, 36Amp, 230VAC/50HZ (Advance only)
				38" / BR 1050S Squeegee Blade Kits			
**	56314844	1	Kit, Linatex Squeegee Blade NOTE 1				
**	56314845	1	Kit, Neoprene Squeegee Blade NOTE 1				
				Nilfisk Optional Batteries			
**#	L00200033	1	Battery Complete, 36V, 320A/H (Nilfisk only)				
**#	L00210020	1	Battery Complete, 36V, 280A/H (Nilfisk only)				
**#	80567900	1	Battery Complete, 36V, 255A/H (Nilfisk only)				
**#	L00200025	1	Battery Complete, 36V, 240A/H (Nilfisk only)				
**#	L00190046	1	Battery Complete, 36V, 240A/H (Nilfisk only)				
**#	L00210019	1	Battery Complete, 36V, 220A/H (Nilfisk only)				
**#	80565000	6	Battery Complete, 6V, 255A/H (Nilfisk only)				
				Nilfisk Optional Battery Chargers			
**#	L00173642	A/R	Battery Charger-UK, 36VDC, Auto, 40Amp, 230VAC/50HZ (used on L00200025, L00200033, 80565000, 80567900) (Nilfisk only)				
**#	L00173666	A/R	Battery Charger-UK, 36VDC, Auto, 40Amp, 230VAC/50HZ (used on L00190046) (Nilfisk only)				
**#	80569100	A/R	Battery Charger-UK, 36VDC, Auto, 20Amp, 230VAC/50HZ (used on L00210019) (Nilfisk only)				
**#	80569300	A/R	Battery Charger-UK, 36VDC, Auto, 40Amp, 230VAC/50HZ (used on L00210020) (Nilfisk only)				
**#	L00193642	A/R	Battery Charger-EU, 36VDC, Auto, 40Amp, 230VAC/50HZ (used on L00200025, L00200033, 80565000, 80567900) (Nilfisk only)				
**#	L00193666	A/R	Battery Charger-EU, 36VDC, Auto, 40Amp, 230VAC/50HZ (used on L00190046) (Nilfisk only)				
**#	80569000	A/R	Battery Charger-EU, 36VDC, Auto, 20Amp, 230VAC/50HZ (used on L00210019) (Nilfisk only)				
**#	80569200	A/R	Battery Charger-EU, 36VDC, Auto, 40Amp, 230VAC/50HZ (used on L00210020) (Nilfisk only)				

** = Optional, Not Included

NOTE 1: Squeegee Blade Kits include both front & rear squeegee blades.

NOTE 2: These Disk Deck Blade Kits include required mounting fasteners (Rivet, Nylon Tree Push-In 56003263) the 2 blades (front and rear) for the deck and all skirt assembly blades.

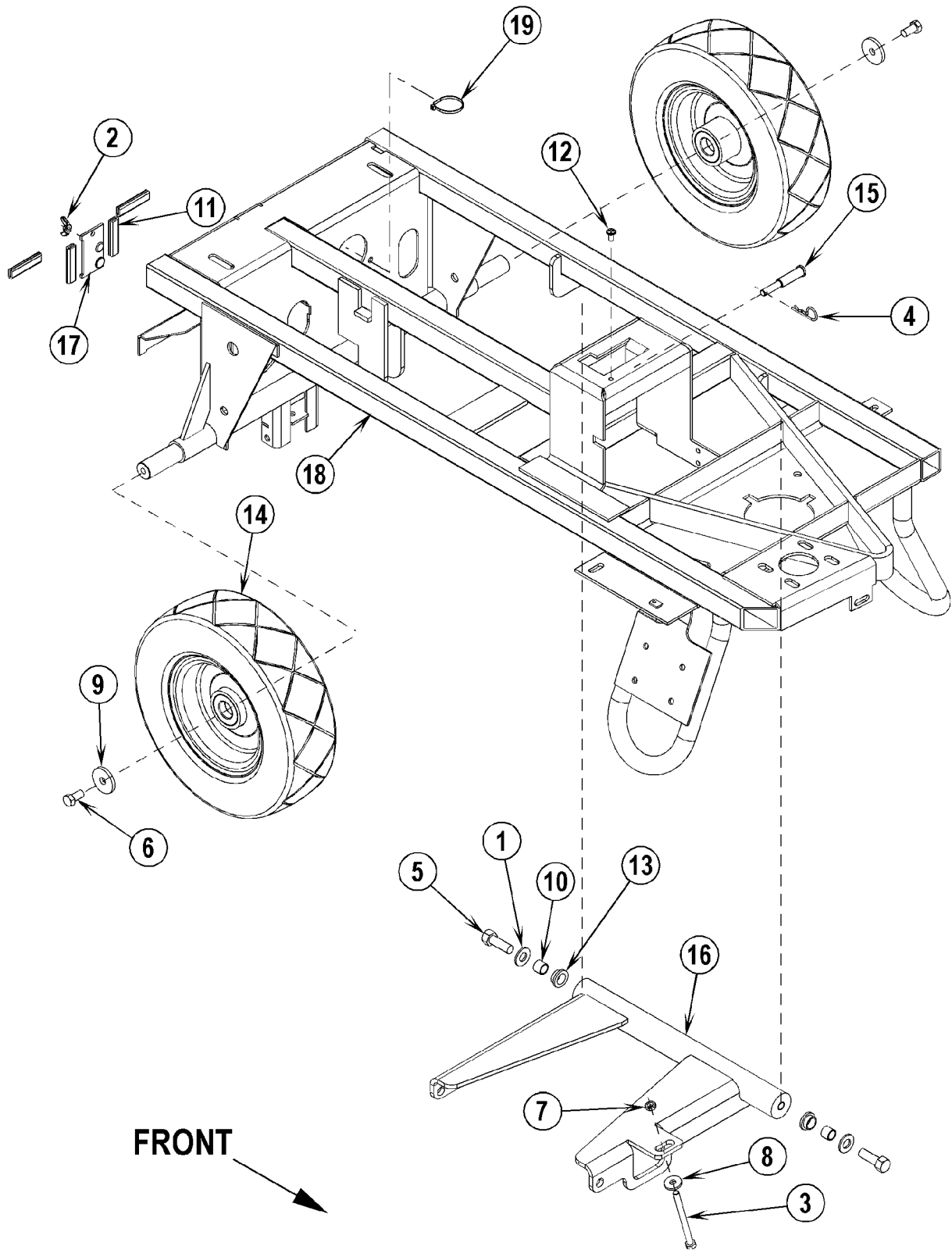
NOTE 3: These Disk Deck Blade Kits include just the blades for use in the two Skirt Assemblies.

DESCRIPTION	PAGE
Chassis System	2-3
Decal System.....	4-5
Detergent Injection System (AXP/EDS).....	6-7
Drive & Brake Pedal Assemblies	8-9
Electrical Panel Assembly.....	10-11
Front Wheel Assembly.....	12-13
Recovery System.....	14-15
Scrub System-Cylindrical (28", 32" / BR 850S)	16-17
Scrub System-Cylindrical (35", 38" / BR 950S, 1050S)	18-19
Scrub System-Disk (28", 32" / 850S)	20-21
Scrub System-Disk (35", 38" / BR 950S, 1050S).....	22-23
Skirt Assemblies-Cylindrical (All Models).....	24-25
Skirt Assemblies-Disk (28", 32" / BR 850S / before TSBUS2004-884).....	26-27
Skirt Assemblies-Disk (28", 32" / BR 850S / after TSBUS2004-884).....	28-29
Skirt Assemblies-Disk (35", 38" / BR 950S, 1050S).....	30-31
Solution System (Standard).....	32-33
Solution System (AXP/EDS).....	34-35
Squeegee Assembly	36-37
Squeegee System	38-39
Steering Column Assembly.....	40-41
Battery Watering System	42-43
Wiring Diagram before SN Chart	44-45
Wiring Diagram after SN Chart	46-47
Brush Selector Guide-Disk	48
Brush Selector Guide-Cylindrical.....	49

WHEN ORDERING PARTS

- * Use the numbers from the "Ref. No." columns in this parts list.
- * Specify the model and serial number of the machine.
- * Use the space below to record the model and serial number for future reference.

Model _____ Serial No. _____

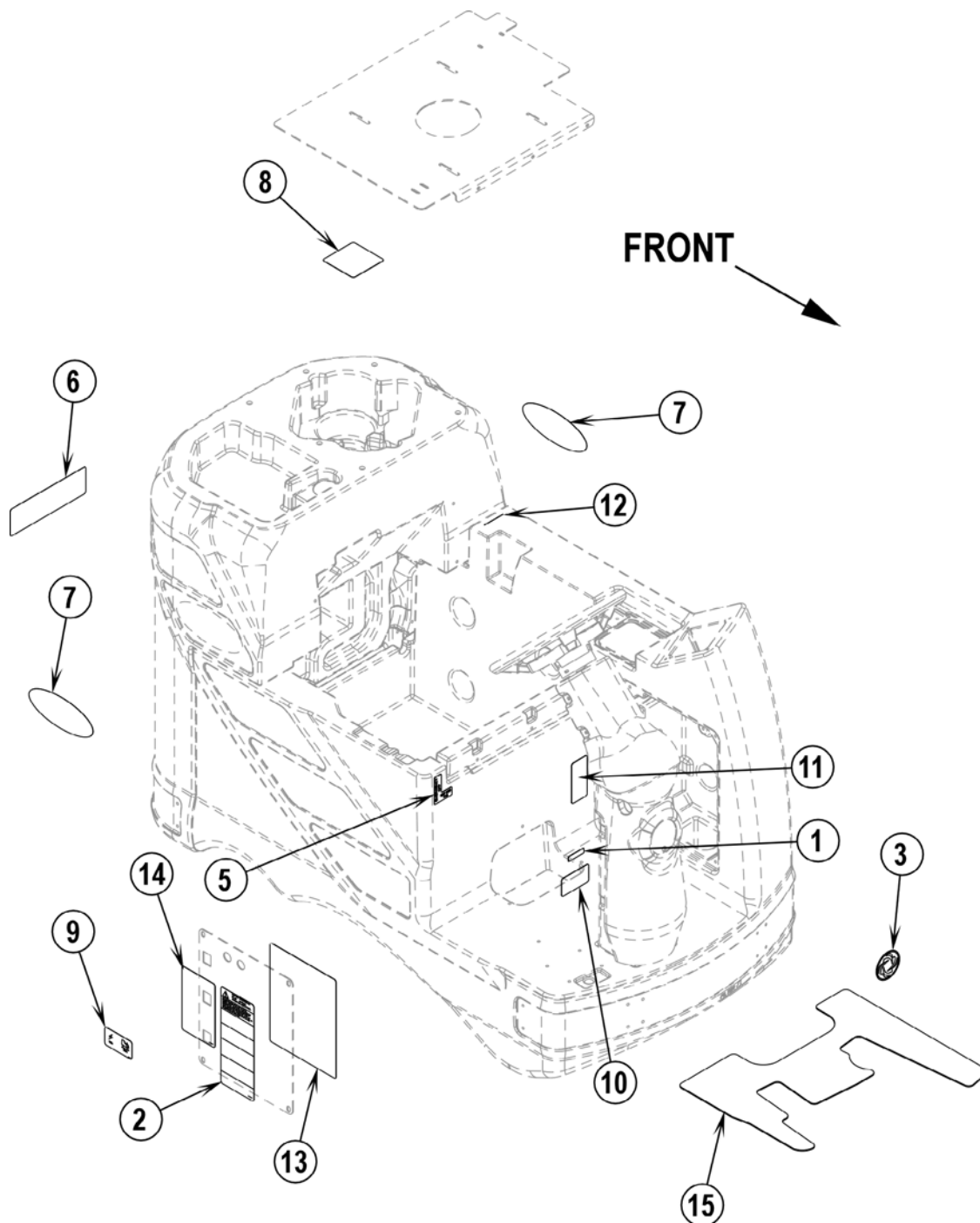


04-3	CHASSIS SYSTEM		
08-3	Adgressor™ / BR 850S, 950S, 1050S		3

Item	Ref. No.	Qty	Description
1	56001879	3	Wsh, Flt SAE 1/2
2#	56002084	1	Nut, Wing 1/4-20 (Advance only)
3	56002461	1	Scr, Hex Thd To Hd 5/16-18 x 4.00
4	56002959	1	Pin, Cotter Hair
5	56003412	2	Scr, Hex Nyl Loc M12-1.75 x 35mm
6	56003442	2	Scr, Hex Nyl Loc M10-1.50 x 20mm
7	56009086	1	Nut, Hex Jam 5/16-18
8	56009122	2	Wsh, Flt .344 x .938 x .125
9	56367117	2	Wsh, Flt .406 x 1.50 x .1875
10	56367206	2	Bushing
11	56412122	4	Trim Edge
12	56009062	1	Scr, Pan Phil Thd Form 1/4-20 x .50
13	56420160	2	Bearing, Flange
14	56316540	2	Assembly, Wheel and Bearing (each assembly includes two bearings)
	56412243	4	Bearing, Ball
15	56314152	1	Pin, Actuator
16	56314495	1	Linkage, Arm Weld't.
17	56314537	1	Squeegee Stop Bracket
18	56314627	1	Chassis Weld't.
19	56478246	1	Tie, Cable
*	56478246	5	Cable Tie
*	56477613	13	Cable Tie

* = Not Shown

= Revised or new since last update



04-3	DECAL SYSTEM		
06-8	Adgressor™ / BR 850S, 950S, 1050S		5

Item	Ref. No.	Qty	Description
1	56014450	1	Decal, Patent Number
2	56014601	1	Decal, Caution
3	56015276	1	Decal, Logo (Advance only)
	56016348	1	Decal, Logo (Nilfisk only)
4	N/A		
5	56015179	1	Decal, Emergency
6	56015229	1	Decal, Advance (Advance only)
7	56015230	2	Decal, Adgressor (Advance only)
	56016638	2	Decal, Adgressor AXP (Advance only)
	56015241	2	Decal, BR 850S (Nilfisk only)
	56016675	2	Decal, BR 850S EDS (Nilfisk only)
	56015243	2	Decal, BR 950S (Nilfisk only)
	56016676	2	Decal, BR 950S EDS (Nilfisk only)
	56015258	2	Decal, BR 1050S (Nilfisk only)
	56016677	2	Decal, BR 1050S EDS (Nilfisk only)
8	56015242	1	Decal, Battery Wiring
9	56016328	1	Decal, Circuit Breaker
10	56016401	1	Decal, Parking Brake
11	56016402	1	Decal, Solution Flow (Before TSBUS2004-874)
	56015445	1	Decal, Solution Flow (After TSBUS2004-874) (not used on AXP/EDS models)
12	56015281	1	Decal, Logo 2 Inch (Advance only)
	56016421	1	Decal, Logo 2 Inch (Nilfisk only)
13	56015231	1	Decal, Ladder Diagram NOTE 1
	56015807	1	Decal, Ladder Diagram NOTE 2
14	56016407	1	Decal, Smart Solutions (Advance only)
	56016455	1	Decal, ECO Solutions (Nilfisk only)
15	56314875	1	Floor Mat (Nilfisk only)

NOTE 1: Used on machines built before serial number Chart A.

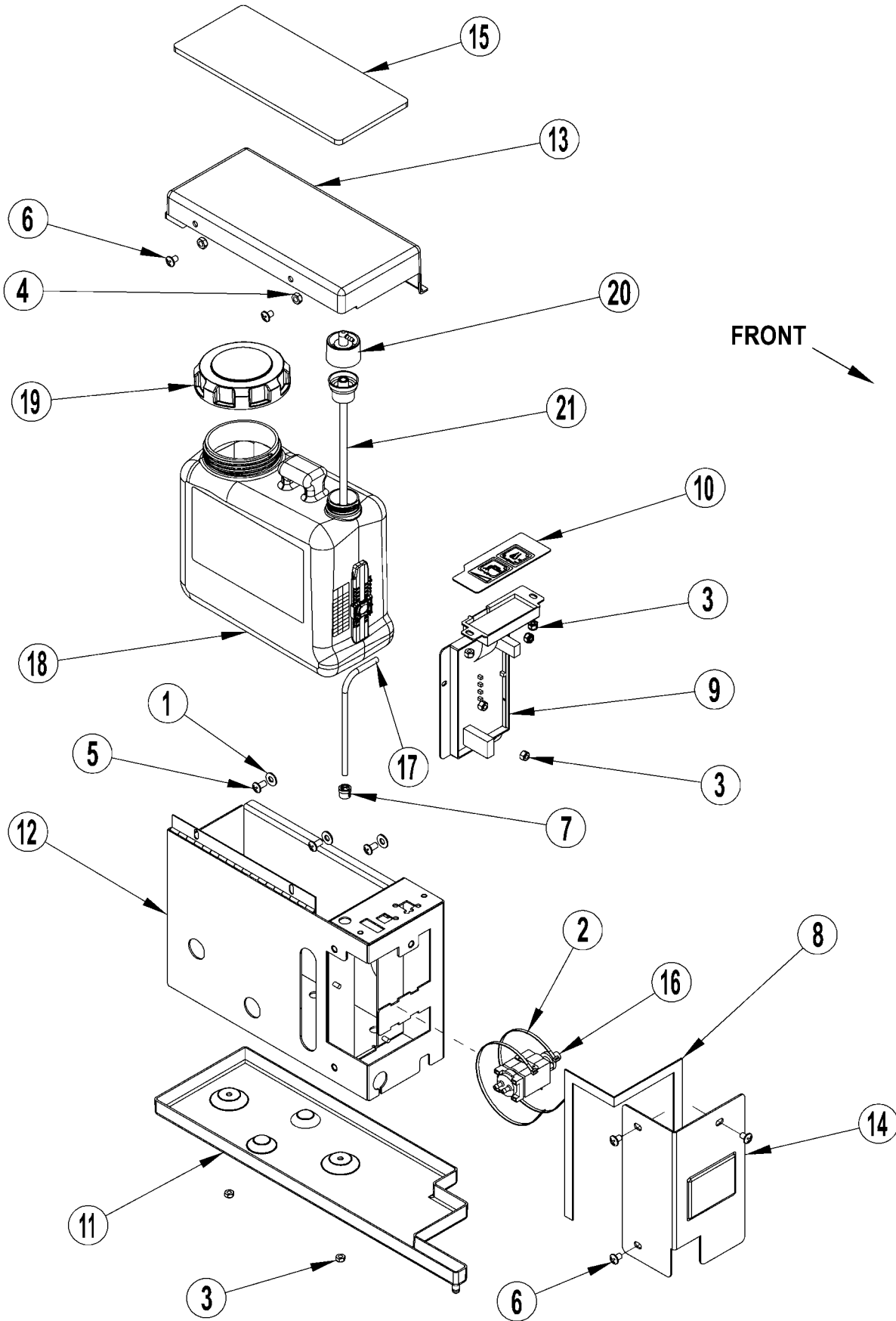
NOTE 2: Used on machines built after serial number Chart A.

NOTE 1 & 2 SERIAL NUMBER CHART "A"

1863250 – BR 850

1863255 – BR 950

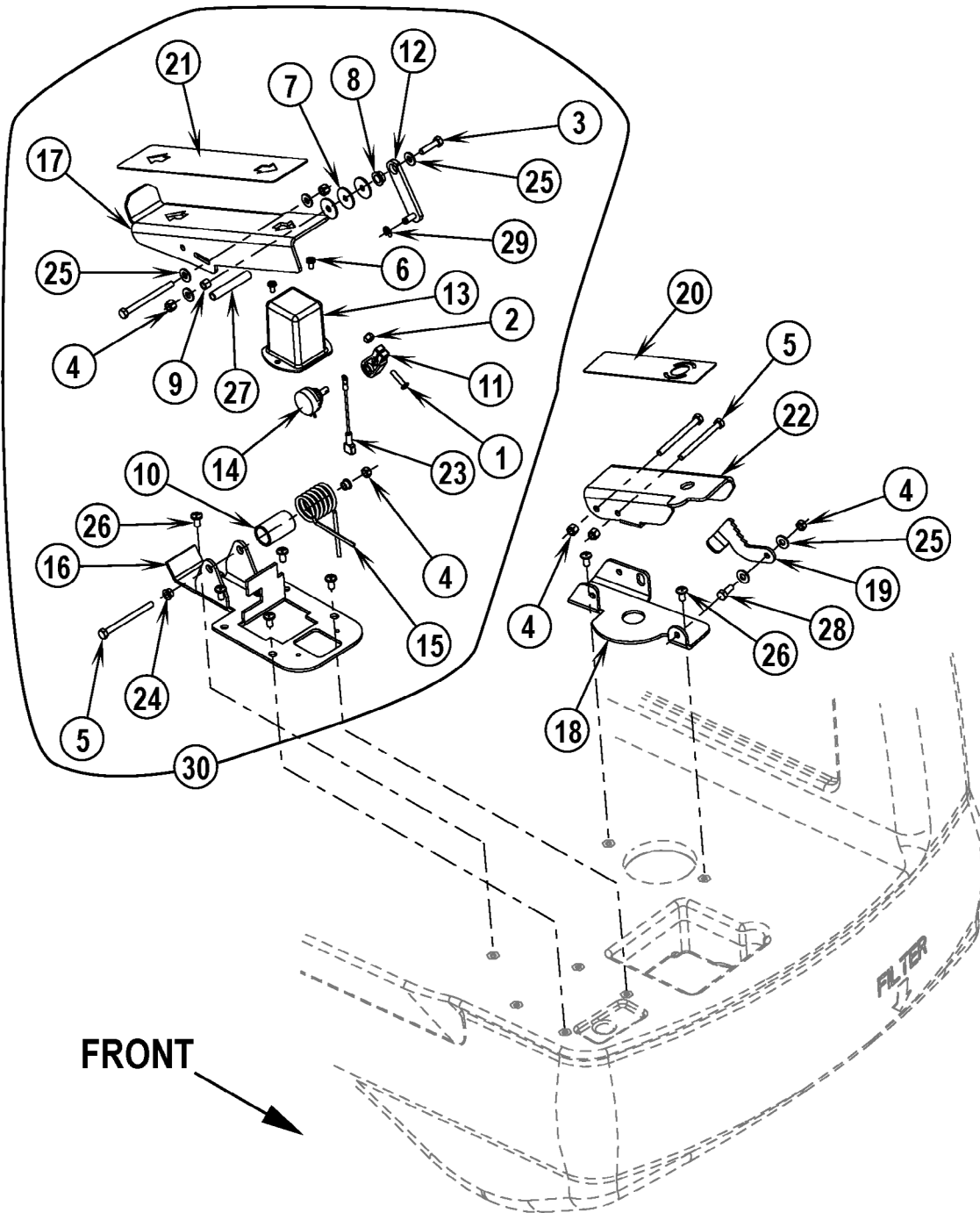
1863260 – BR 1050 and all Adgressor models



04-3	DETERGENT INJECTION SYSTEM (AXP/EDS)		
08-3	Adgressor™ / BR 850S, 950S, 1050S		7

Item	Ref. No.	Qty	Description
	56316537	1	Detergent Injection Assembly (items 1-21) TSBUS2006-922
1	56009025	3	Wsh, Flt .266 x .750 x .036
2	56478523	2	Tie, Cable
3	56002832	8	Nut, Hex Nyl Loc-Thin 10-24
4	56002840	2	Nut, Hex Nyl Loc-Thin 1/4-20
5	56002145	3	Scr, Pan Phil 1/4-20 x .50
6	56003580	5	Scr, Pan Phil SS 1/4-20 x .38
7	56003699	1	Bushing, 1/4 ID Snub
8#	56200754	1	Gasket, Strip (Advance only)
9	56316110	1	Control Assembly TSBUS2006-922
10	56314937	1	Control Decal
11	56314939	1	Tray, Detergent
12	56314944	1	Weldment, Detergent Box
13	56314945	1	Cover, Detergent
14	56314946	1	Cover, Pump
15	56314953	1	Pad, Detergent
16	56314984	1	Pump, Detergent
17	56314991	1	Hose, Chem Resistant 14"
18	56315502	1	Chemical Bottle Assy.
	56315511	1	Indicator Assy
**#	56315535	A/R	AXP Neutral Cleaner, 4 pack
**#	56315537	A/R	AXP Heavy Duty Cleaner & Degreaser, 4 pack
**#	56315503	A/R	Chem Bottle Assy (18-21)
19	56315517	1	Cap, Raw
20	56315523	1	Cap, Dry Break, 1/8 Barb, 90°
21	56315527	1	Insert, Dry Break

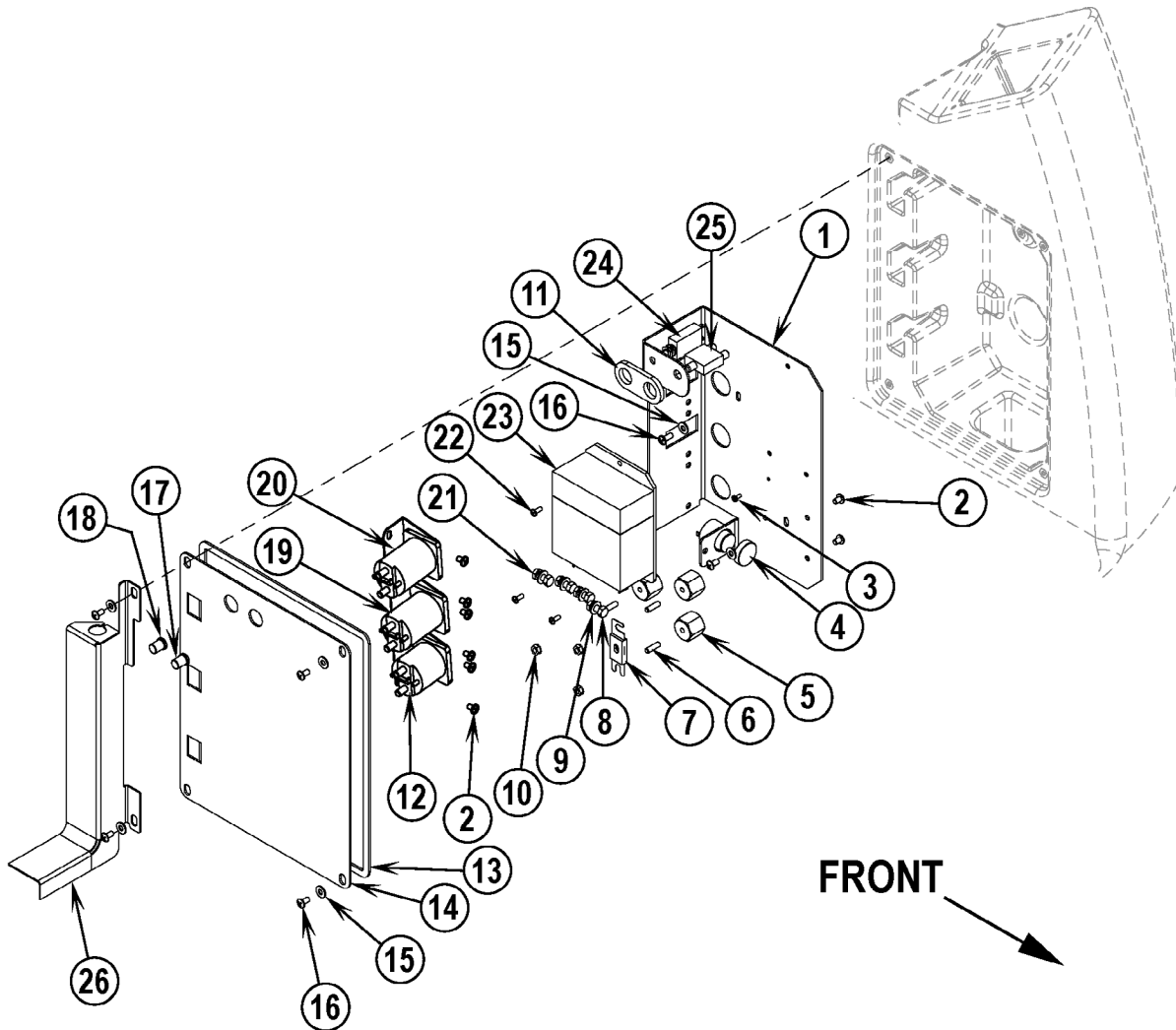
= Revised or new since last update



04-3	DRIVE & BRAKE PEDAL ASSEMBLIES		
08-3	Adgressor™ / BR 850S, 950S, 1050S		9

Item	Ref. No.	Qty	Description
1	56002733	1	Scr, Pan Phil 10-24 x .88
2#	56002768	1	Nut, Hex Nyl Loc 10-24 (Advance only)
3	56003358	1	Scr, Hex M6-1.00 x 25mm
4	56003403	6	Nut, Hex Nyl Loc M6-1.00
5	56003428	4	Scr, Hex M6-1.00 x 75mm
6	56009030	2	Scr, Pan Phil Thd Form 10-24 x .38
7	56009060	3	Wsh, Flt SS .260 x 1.000 x .074
8	56324505	1	Bearing, Flange
9	56368989	1	Bushing
10	56409378	1	Spacer, Nylon
11	56409471	1	Lever, Throttle
12	56409610	1	Link Weldment
13	56412094	1	Housing, Potentiometer
14	56454740	1	Potentiometer, 5K (R1)
15	56314037	1	Spring, Torsion
16	56314038	1	Bracket, Foot Pedal
17	56314039	1	Foot Pedal
18	56314121	1	Bracket, Brake
19	56314122	1	Lock, Brake
20	56314138	1	Mat, Pedal
21	56314176	1	Mat, Pedal
22	56314463	1	Pedal Weldment
23	56412331	1	Wire Assy.
24	56756318	2	Bearing, Flange
25	56002098	6	Wsh, Flt SAE 1/4
26	56003119	7	Scr, Pan Phil SS 1/4-20 x .50
27	56314561	1	Bushing
28	56003174	1	Scr, Hex Thd to Hd M6-1.0 x 16mm
29	56003268	1	Ring, Ret Ext Type E Reinf. 0.25 Dia
30#	56413421	1	Pedal Assy

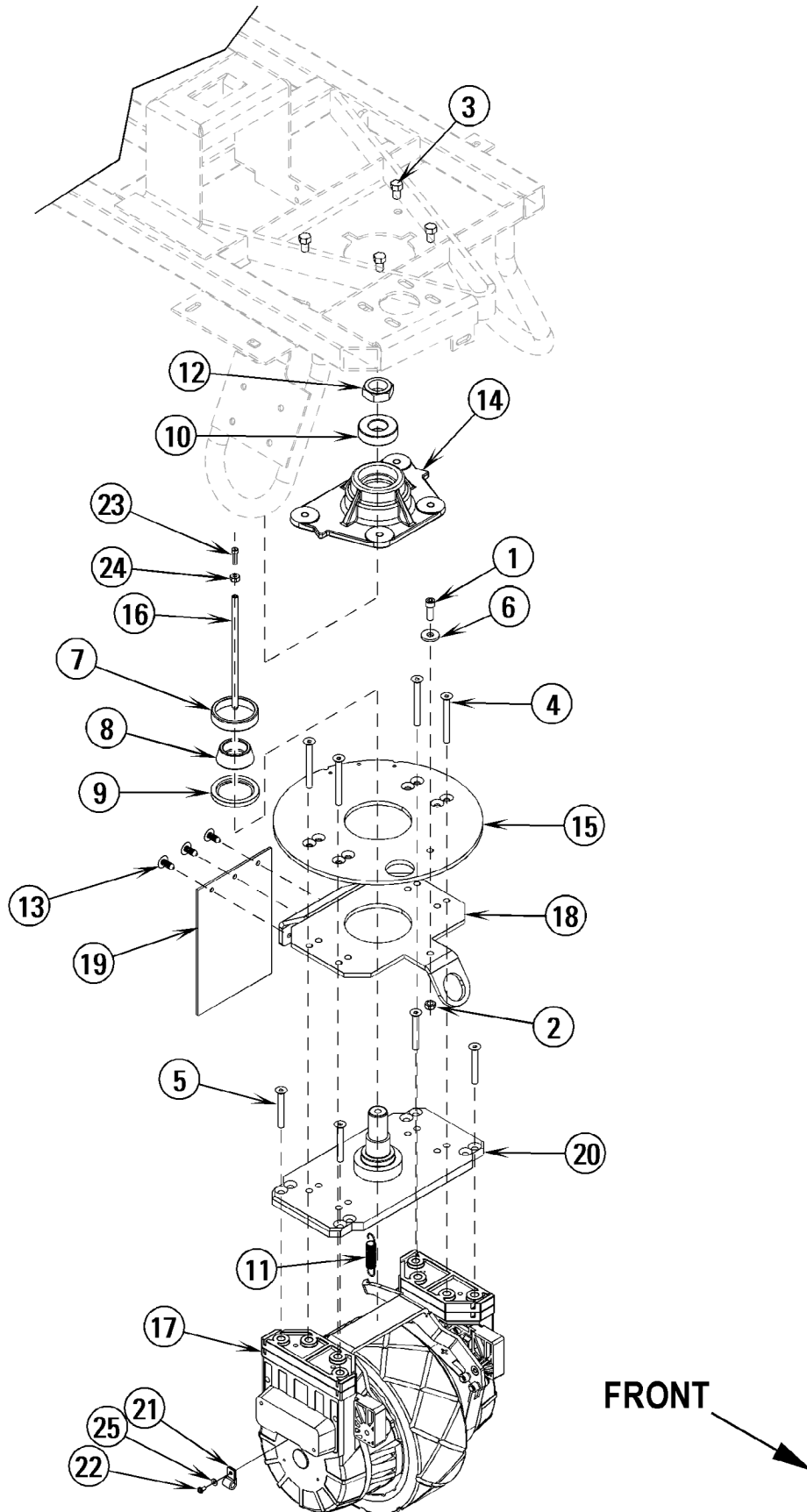
= Revised or new since last update



04-3	ELECTRICAL PANEL ASSEMBLY		
08-3	Adressor™ / BR 850S, 950S, 1050S		11

Item	Ref. No.	Qty	Description
1	56314668	1	Electrical Panel
2	56002462	9	Scr, Pan Phil 1/4-20 x .38
3	56009051	1	Scr, Pan Phil Thd Form 8-32 x .38
4	56412177	1	Horn / Backup Alarm (H1)
5	56469858	3	Standoff, Insulated
6	56009020	3	Stud
7	56412089	1	Fuse, 150 Amp
8	56001862	4	Scr, Hex Hd 5/16-18 x .50
9	56009052	4	Wsh, Int SHPRF 5/16
10	56002561	3	Nut, Hex W/SHPRF 1/4-20
11	56407193	1	Gasket
12#	56395455	1	Contactor (Vac Motor / K2)
13	56407169	1	Gasket
14	56314669	1	Cover, Electrical
15	56002098	6	Wsh, Flt SAE 1/4
16	56003119	6	Scr, Pan Phil SS 1/4-20 x .50
17	56459369	1	Boot, Reset Button
18	56459367	1	Boot, Reset Button
19#	56395453	1	Contactor (Brush Drive / K1)
20#	56395453	1	Contactor (Wheel Drive / K3)
21	56009086	4	Nut, Hex Jam 5/16-18
22	56001993	3	Scr, Pan Phil 10-24 x .50
23	56314667	1	Controller, Speed
24	56387316	1	Circuit Breaker, 10 Amp (Control Circuit / F3)
25	56454429	1	Circuit Breaker, 70 Amp (Wheel Drive / F2)
26	56314956	1	Weldment, Harness Guide (Detergent Injection models only)

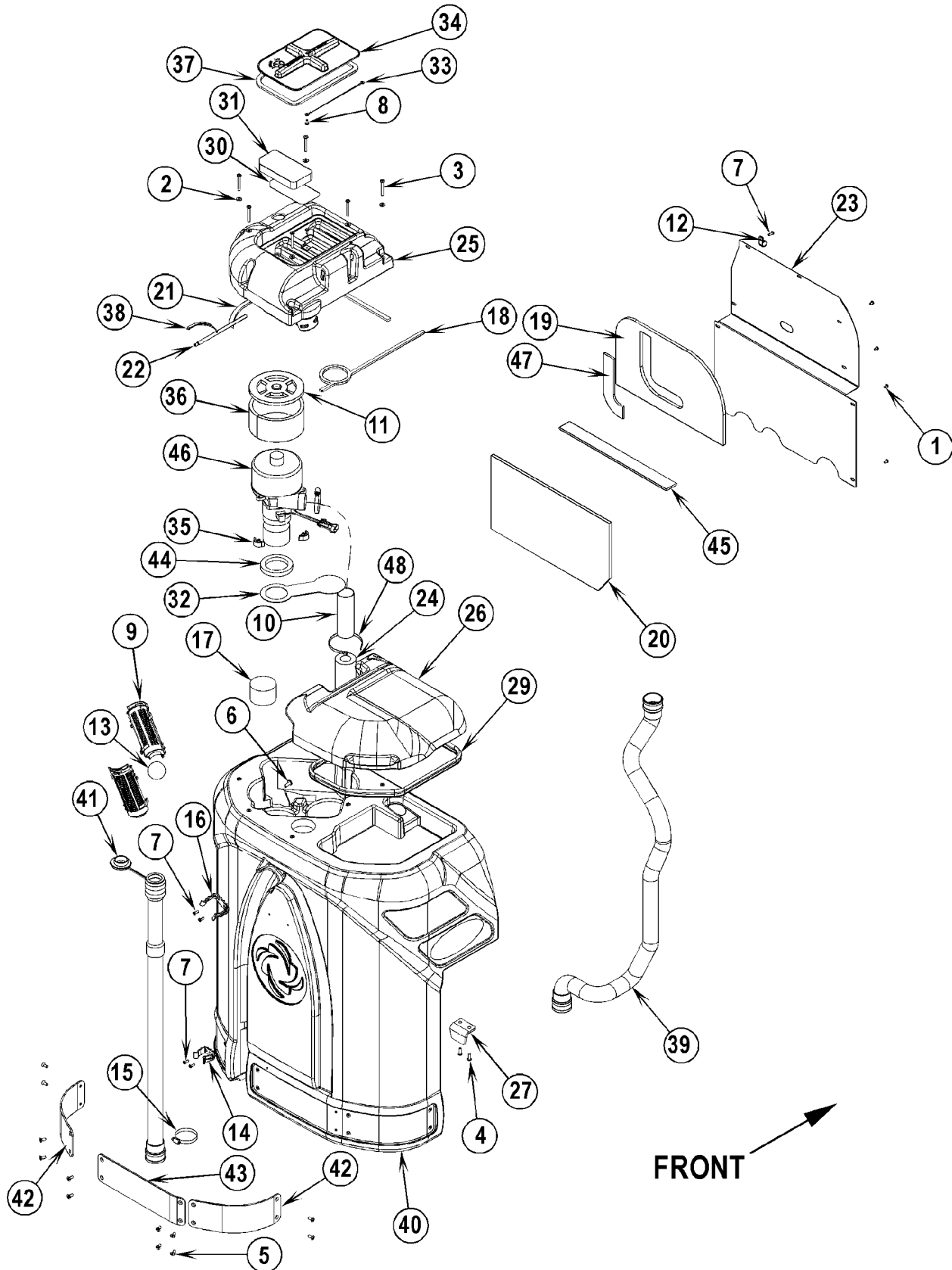
= Revised or new since last update



04-3	FRONT WHEEL ASSEMBLY		
06-1	Adressor™ / BR 850S, 950S, 1050S		13

Item	Ref. No.	Qty	Description
1	56002158	1	Scr, Soc Hd 5/16-18 x .88
2	56002826	1	Nut, Hex Nyl Loc-Thin 5/16-18
3	56003040	4	Scr, Hex Hd Loc 3/8-16 x .62
4	56003273	4	Scr, Soc Hd M8-1.25 x 70mm
5	56003274	4	Scr, Soc Hd M8-1.25 x 55mm
6	56009122	1	Wsh, Flt .344 x .938 x .125
7	56158143	1	Bearing Cup
8	56158151	1	Bearing Cone
9	56171081	1	Seal, Shaft
10	56378380	1	Bearing, Ball
11	56481699	1	Spring
12	56003220	1	Nut, Hex Nyl Loc-Thin 1-14 UNF
13	56003263	3	Rivet, Nylon Tree Push-In
14	56314032	1	Block, Bearing
15	56314116	1	Plate, Steering
16	56314157	1	Rod, Brake
17	56314635	1	Motor / Drive Wheel Assy (M3)
*	56314289	1	Brake Band
*	56314681	1	Drive Wheel, P7 250 x 90
*	56412325	1	Carbon Brush Kit
*	56412320	1	Brush Cover Kit
*	56412321	1	Sealing Ring
*	56412322	1	Bearing, ball Gearbox Side
*	56412323	1	Bearing, Ball Brush Side
*	56314282	1	Brake Bar
18	56314278	1	Plate, Splash Guard
19	56314283	1	Splash Guard
20	56314085	1	Spindle Weldment TSBUS2005-913
21	56305317	1	Clamp, P
22	56003653	1	Scr, Pan Phil M4 x 8
23	56003659	1	Scr, Button Soc SS 10-24 x .75
24	56009293	1	Nut, Hex Machine SS 10-24
25	56002006	1	Wsh, Flt SAE #6

* = Not Shown
** = Optional

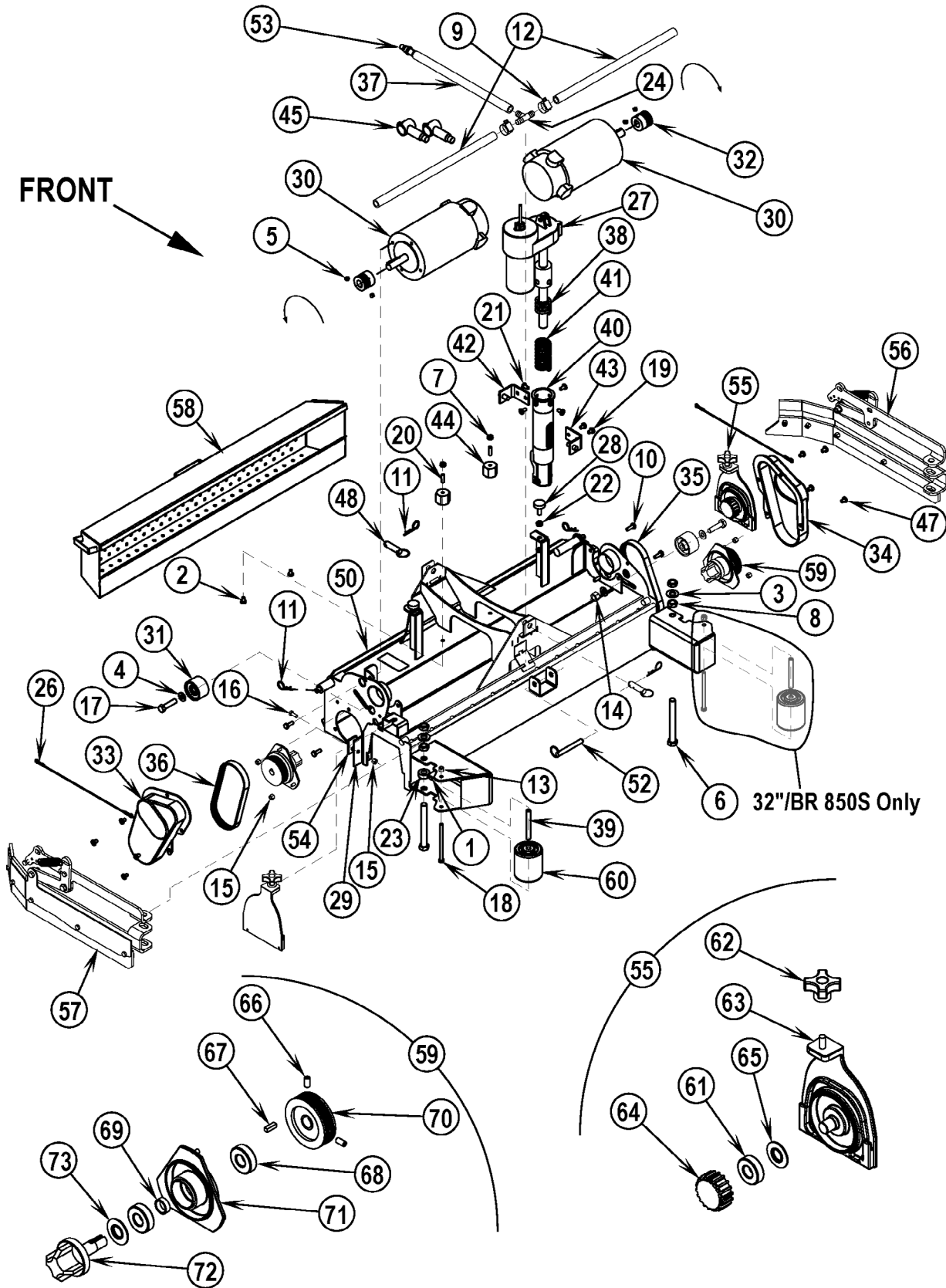


04-3	RECOVERY SYSTEM		
06-2	Adgressor™ / BR 850S, 950S, 1050S		15

Item	Ref. No.	Qty	Description
1	56002043	8	Scr, Pan Phil 10-24 x .38
2	56002098	7	Wsh, Flt SAE 1/4
3	56002108	6	Scr, Pan Phil 1/4-20 x 2.00
4	56002507	4	Scr, Pan Phil 1/4-20 x .75
5	56002760	12	Scr, Flt Phil 1/4-20 x .62
6	56002793	1	Scr, Pan Phil 5/16-18 x .75
7	56002896	5	Scr, Pan Phil SS 10-24 x .62
8	56009191	2	Scr, Pan Phil Plastite 10-14 x .50
9	56324497	2	Cage, Float
10	56458457	1	Hose, Vac 2.00 x 6.00
11	56314704	1	Gasket
12	56385564	1	Clamp, P
13	56391690	1	Ball, Float
14	56407361	1	Clamp, Plastic
15	56440213	3	Clamp, Hose SAE #32
16	56212236	1	Clamp, Plastic
17	56314098	2	Foam Cylinder
18	56314099	1	Gasket
19	56314100	1	Muffler, Top Panel
20	56314101	1	Muffler, Bottom Panel
21	56314103	1	Gasket
22	56314115	1	Pin, Cover Pivot
23	56314749	1	Cover, Exhaust
24	56391807	1	Foam, Acoustical
25	56314201	1	Cover, Vac Motor
26	56314203	1	Lid, Recovery
27	56314220	2	Tank Mount Bracket
28	56314251	1	Harness, Vac
29	56314371	1	Gasket
30	56314372	1	Screen, Filter
31	56314373	1	Filter
32	56314376	1	Plate, Separator
33	56314400	1	Wire Rope, 9 Inch
34	56314461	1	Lid, Vac Filter
35	56314484	3	Mount, Vibration
36	56314488	1	Muffler, Vac
37	56314491	1	Gasket
38	56314509	1	Spring
39	56314533	1	Vac Hose Assy.
40	56314620	1	Tank, Recovery
41	56314621	1	Drainhose
42	56314639	2	Bumper, Rear
43	56314656	1	Bumper, Rear Middle
44	56314760	1	Gasket, Vacuum Duct
45	56314706	1	Foam, Sound
46	56397228	1	Motor, Vac 36VDC (M5 / Advance only)
	56410065	1	Motor, Vac 36VDC (M5 / Nilfisk only)
*	56212223	1	Carbon Brush Set
47	56314705	1	Foam, Sound
48	56477613	1	Tie, Cable

* = Not Shown

FRONT



04-3	SCRUB SYSTEM-CYLINDRICAL (28", 32" / BR 850S)			
08-3	Adressor™ / BR 850S, 950S, 1050S			17

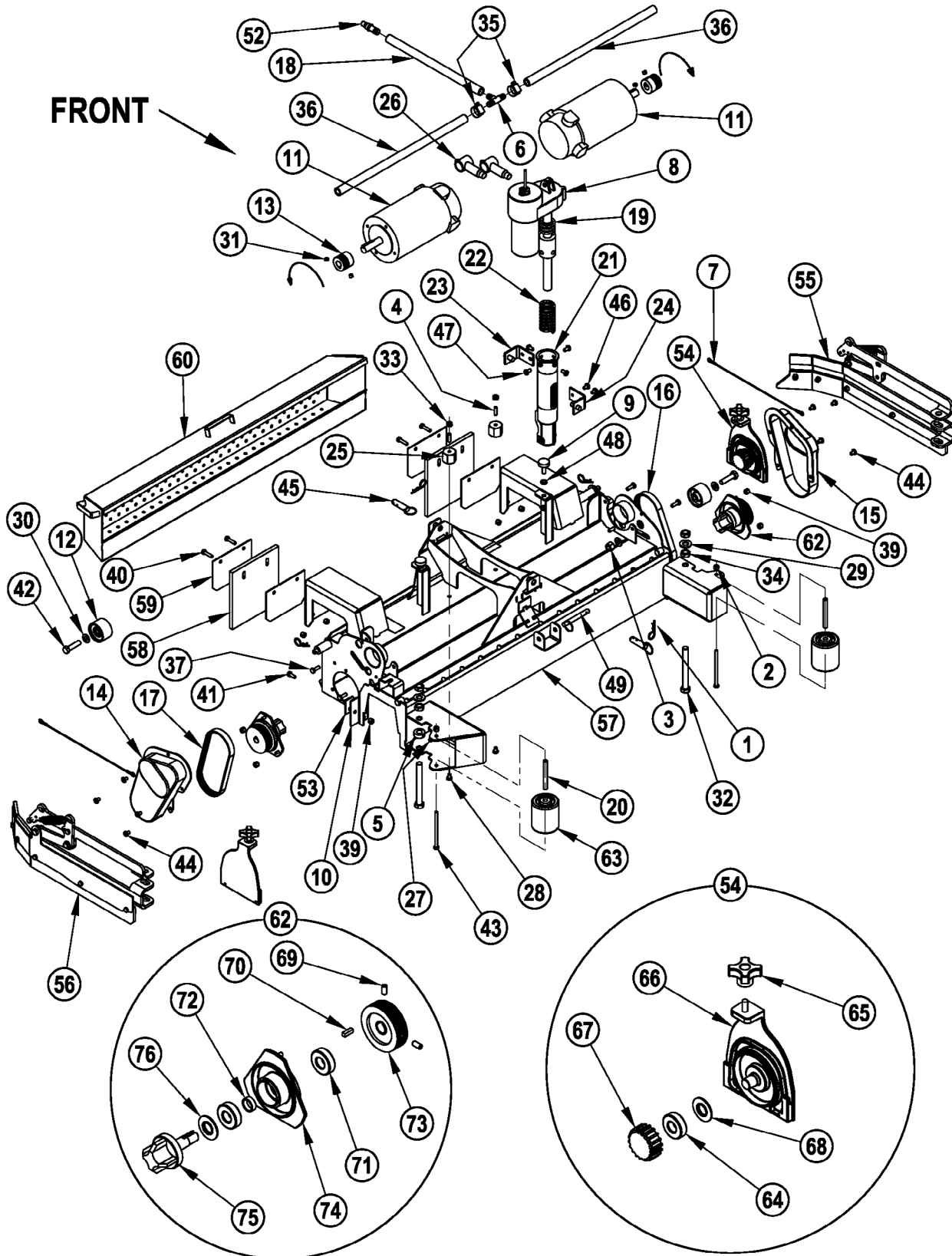
Item	Ref. No.	Qty	Description	Item	Ref. No.	Qty	Description
1	56001841	2	Scr, Soc Set Loc 1/4-20 x .25	35	56407465	1	Belt, Poly V 180J6
2	56001861	2	Scr, Hex Hd 1/4-20 x .38	36	56407466	1	Belt, Poly V 190J6
3	56001879	2	Wsh, Flt SAE 1/2	37	56409462	1	Hose, Spiral
4	56002063	4	Wsh, Flt SAE 3/8	38	56412071	1	Compression Spring
5	56002086	4	Scr, Soc Set Loc 5/16-18 x .25	39	56412176	1	Bushing (qty of 2 on 32")
6	56002484	2	Scr, Hex Hd 1/2-13 x 4.50	40	56412262	1	Housing, Spring
7	56002561	2	Nut, Hex W/ Shprf 1/4-20	41	56420018	1	Compression Spring
8	56002843	4	Nut, Hex Nyl Loc-Thin 1/2-13	42	56420019	1	Nut Retainer
9	56112771	2	Clamp, Hose	43	56420020	1	Nut Retainer
10	56002948	6	Scr, Hex Hd Loc 1/4-20 x .75	44	56469858	2	Standoff, Insulated
11	56002959	4	Pin, Cotter Hair	45	56493357	2	Insulator, Terminal
12	56316553	2	Manifold, PVC 28	46			Intentionally Omitted
	56316552	2	Manifold, PVC 32	47	56003603	8	Scr, Pan Phil Thd Form 1/4-20 x .38
13	56003403	1	Nut, Hex Nyl Loc M6-1.00 (qty of 2 on 32")	48	56003671	2	Pin, Ring .50 x 1.25
14	56003406	2	Nut, Hex Nyl Loc M10-1.50	49	NA	1	Accessory Plate Data Plate
15	56003426	8	Nut, Hex Nyl Loc SS M6 x 1.0	50	56316570	1	Housing Weld't, 28" TSBUS2005-899
16	56003431	2	Scr, Hex Hd SS M6-1.0 x 16mm	#	56316571	1	Housing Weld't, 32" (BR 850S) TSBUS2005-899
17	56003491	2	Scr, Hex M10-1.50 x 40mm	51	56314254	1	Harness, Brush Motor (Not Shown)
18	56003492	1	Scr, Hex M6-1.0 x 95mm (qty of 2 on 32")	52	56314294	1	Pin, Hitch Cotterless
19	56009019	2	Scr, Hex Thd Form 1/4-20 x .38	53	56314310	1	Coupling, Quick Disconnect, Male (only before TSBUS2005-888)
20	56009020	2	Stud				
21	56009062	4	Scr, Pan Phil Thd Form 1/4-20 x .50	54	56314436	2	Strap
22	56009086	4	Nut, Hex Jam 5/16-18	55	56314445	2	Idler End Assy (61-65)
23	56152811	2	Collar	56#	56314648	1	Left Skirt Assy NOTE 2
24	56262549	1	Tee ,Barb	57#	56314649	1	Right Skirt Assy NOTE 2
25			Intentionally Omitted	58	56397442	1	Hopper Weld't, 28"
26	56330391	2	Wire Rope, 12 Inch	#	56397443	1	Hopper Weld't, 32" (BR 850S)
27	56393303	1	Lift Actuator, Brush (M1)	59	56407559	2	Drive End Assy (66-73)
*	56388520	1	Plastic Nut	60	56412459	1	Wheel (qty of 2 on 32")
28	56401783	2	Leveler	61	56106070	1	Bearing, Ball
29	56407391	2	Blade	62	56407303	1	Knob
30	56407431	2	Motor, 36VDC, .75HP (M7 & M8)	63	56315447	1	Idler Bearing Plate
*#	56417489	1	Armature (Advance only)	64	56407551	1	Hub
*	56407490	1	Bearing	65	56407558	1	Washer, Bearing
*	56407492	1	Brush Cap Assy	66	56002119	2	Scr, Soc Set Loc 1/4-20 x .50
*	56407493	4	Carbon Brush Assy	67	56003237	1	Key, Sq. .19 x .62
*	56407494	4	Brush Cover Cap	68	56106070	2	Bearing, Ball
31	56407432	2	Idler, Belt	69	56407389	1	Spacer
32	56407433	2	Sheave, Poly-V	70	56407442	1	Sheave, Poly-V
33	56407434	1	Guard, Right Belt	71	56315405	1	Bearing Plate
34	56407435	1	Guard, Left Belt	72	56407557	1	Spindle
				73	56407558	1	Washer, Bearing

* = Not Shown

= Revised or new since last update

NOTE: See "BRUSH SELECTOR GUIDE" at back of manual for available scrub brushes.

NOTE 2: See "SKIRT ASSEMBLIES-CYLINDRICAL".



04-3	SCRUB SYSTEM-CYLINDRICAL (35", 38" / BR 950S, 1050S)		
08-3	Adressor™ / BR 850S, 950S, 1050S		19

Item	Ref. No.	Qty	Description	Item	Ref. No.	Qty	Description
1	56002959	4	Pin, Cotter Hair	35	56112771	2	Clamp, Hose SAE #10
2	56003403	2	Nut, Hex Nyl Loc M6-1.00	36	56316551	2	Manifold, PVC 35
3	56003406	2	Nut, Hex Nyl Loc M10-1.50		56316550	2	Manifold, PVC 38
4	56009020	2	Stud	37	56002948	6	Scr, Hex Hd Loc 1/4-20 x .75
5	56152811	2	Collar	38			Intentionally Omitted
6	56262549	1	Tee, Barb	39	56003426	12	Nut, Hex Nyl Loc SS M6 x 1.0
7	56330391	2	Wire Rope, 12 Inch	40	56003430	4	Scr, Hex Hd SS 6-1.0 x 25mm
8	56393303	1	Actuator, Motor (M1)	41	56003431	2	Scr, Hex Hd SS M6-1.0 x 16mm
*	56388520	1	Plastic Nut	42	56003491	2	Scr, Hex M10-1.50 x 40mm
9	56401783	2	Leveler	43	56003492	2	Scr, Hex M6-1.0 x 95mm
10	56407391	2	Blade	44	56003603	8	Scr, Pan Phil Thd Form 1/4-20 x .38
11	56407431	2	Motor, 36VDC, .75 HP (M7 & M8)	45	56003671	2	Pin, Ring .50 x 1.25
*#	56417489	1	Armature (Advance only)	46	56009019	2	Scr, Hex Thd Form 1/4-20 x .38
*	56407490	1	Bearing	47	56009062	4	Scr, Pan Phil Thd Form 1/4-20 x .50
*	56407492	1	Brush Cap Assy	48	56009086	4	Nut, Hex Jam 5/16-18
*	56407493	4	Carbon Brush Assy	49	NA	1	Accessory Plate Data Plate
*	56407494	4	Brush Cover Cap	50	56314254	1	Harness, Brush Motor (Not Shown)
12	56407432	2	Idler, Belt	51	56314294	1	Pin, Hitch Cotterless
13	56407433	2	Sheave, Poly-V	52	56314310	1	Coupling, Quick Disconnect, Male (only before TSBUS2005-888)
14	56407434	1	Guard, Right Belt	53	56314436	2	Strap
15	56407435	1	Guard, Left Belt	54	56314445	2	Idler End Assy (64-68)
16	56407465	1	Belt, Poly V 180J6	55#	56314648	1	Left Skirt Assy NOTE 3
17	56407466	1	Belt, Poly V 190J6	56#	56314649	1	Right Skirt Assy NOTE 3
18	56409462	1	Hose, Spiral	57#	56316572	1	Housing Weld't 35" (BR 950S)
19	56412071	1	Compression Spring	#	56316573	1	Housing Weld't 38" (BR 1050S)
20	56412176	2	Bushing	58	56314860	1	Kit, Deck Blade Cyl Linatex NOTE 2
21	56412262	1	Housing, Spring		56314861	1	Kit, Deck Blade Cyl Neoprene NOTE 2
22	56420018	1	Compression Spring	59	56314867	4	Strap
23	56420019	1	Nut Retainer	60#	56314870	1	Hopper Weld't-35 (BR 950S)
24	56420020	1	Nut Retainer	#	56314869	1	Hopper Weld't-38 (BR 1050S)
25	56469858	2	Standoff, Insulated	61			Intentionally Omitted
26	56493357	2	Insulator, Terminal	62	56407559	2	Drive End Assy (69-76)
27	56001841	2	Scr, Soc Set Loc 1/4-20 x .25	63	56412459	2	Wheel
28	56001861	2	Scr, Hex Hd 1/4-20 x .38	64	56106070	1	Bearing, Ball
29	56001879	2	Wsh, Flt SAE 1/2	65	56407303	1	Knob
30	56002063	4	Wsh, Flt SAE 3/8	66	56315447	1	Idler Bearing Plate
31	56002086	4	Scr, Soc Set Loc 5/16-18 x .25	67	56407551	1	Hub
32	56002484	2	Scr, Hex Hd 1/2-13 x 4.50	68	56407558	1	Washer, Bearing
33	56002561	2	Nut, Hex W/ Shprf 1/4-20	69	56002119	2	Scr, Soc Set Loc 1/4-20 x .50
34	56002843	4	Nut, Hex Nyl Loc-Thin 1/2-13	70	56003237	1	Key, Sq. .19 x .62
				71	56106070	2	Bearing, Ball
				72	56407389	1	Spacer
				73	56407442	1	Sheave, Poly-V
				74	56315405	1	Bearing Plate
				75	56407557	1	Spindle
				76	56407558	1	Washer, Bearing

* = Not Shown

= Revised or new since last update

NOTE: See "BRUSH SELECTOR GUIDE" at back of manual for available scrub brushes.

NOTE 2: Deck Blade Kits include two (item 58) Blades and two blades for use in Skirt Assemblies (items 55 & 56).

NOTE 3: See "SKIRT ASSEMBLIES-CYLINDRICAL".

04-3	SCRUB SYSTEM-DISK (28", 32" / BR 850S)		
08-3	Adressor™ / BR 850S, 950S, 1050S		21

Item	Ref. No.	Qty	Description	Item	Ref. No.	Qty	Description
1#	56002768	2	Nut, Hex Nyl Loc 10-24 (Advance only)	44	56314218	2	Shaft, Hub Mount NOTE 4
2	56002938	18	Wsh, Flt SAE SS 5/16	45	56314261	2	Skirt Bracket, Forward (28")
3	56002959	4	Pin, Cotter Hair	46			Intentionally Omitted
4	56003246	2	Key, Sq .25 x 1.62 NOTE 4	47	56314294	1	Pin, Hitch Cotterless
**#	56315722	1	Kit, Gum Rubber NOTE 3	48	56314310	1	Coupling, Quick Disconnect, Male (only before TSBUS2005-888)
**#	56315721	1	Kit, Red Gum Rubber NOTE 3	49	56314359	2	Key, 6mm Sq NOTE 4
5	56003335	4	Scr Hex Loc SS 5/16-18 x .88 (qty of 2 after NOTE 3)	50	56314499	2	Cover, Gearbox NOTE 4
6	56003405	6	Nut, Hex Nyl Loc SS M8 x 1.25	51	-		See Disk Deck Blade Kits below
7	56003426	12	Nut, Hex Nyl Loc SS M6 x 1.0	52	56412189	1	Hose, Spiral .375
8	56003431	8	Scr, Hex Hd SS M6-1.0 x 16mm	53#	56314646	1	Skirt Assy Left 28" (Advance only) (Before TSBUS2004-884) NOTE 6
9	56003443	4	Scr, Hex Hd SS M6-1.00 x 20mm (28")	#	56314897	1	Skirt Assy Left 28" (After TSBUS2004-884) NOTE 7
10	56003477	6	Scr, Hex Loc SS M8-1 x 25mm	#	56314645	1	Skirt Assy Left 32" (Advance only) (BR 850S) (Before TSBUS2004-884) NOTE 6
11	56009019	2	Scr, Hex Thd Form 1/4-20 x .38	#	56314898	1	Skirt Assy Left 32" (BR 850S) (After TSBUS2004-884) NOTE 7
12	56009030	6	Scr, Pan Phil Thd Form 10-24 x .38	54#	56314647	1	Skirt Assy Right (Advance only) (Before TSBUS2004-884) NOTE 6
13	56009057	4	Wsh, Flt Harden .344 x 1.000 x .120/.135 (qty of 2 after NOTE 3)	#	56314896	1	Skirt Assy Right (After TSBUS2004-884) NOTE 7
14	56009062	4	Scr, Pan Phil Thd Form 1/4-20 x .50	55	56392277	1	Tube, Solution
15	56009086	4	Nut, Hex Jam 5/16-18	56	56397300	1	Tee, Barb
16	56009096	2	Wsh, Flt .193 x .875 x .060	57	56401783	2	Leg Leveler 5/16-18
17	56249280	2	Tee, Barb	58	56412187	2	Hose, Spiral, .375
18	56366455	2	Plate, Stop	59#	56315704	1	Gearbox Assy (32"/BR 850S / M7) NOTE 3
19	56366463	2	Spring Retainer	*	56315711	2	Gearbox
20	56385564	2	Clamp, P	60	56315705	2	Spacer NOTE 3
21	56393303	1	Actuator, Motor (M1)	61	-		See Disk Deck Blade Kits below
*	56388520	1	Plastic Nut				
22	56407053	4	Thermoid Disk				
23#	56407114	4	Knob TSBUS2007-963				
24	56407334	4	Knob				
25	56412071	1	Compression Spring				
26	56412262	1	Housing, Spring				
27	56420018	1	Compression Spring				
28	56420019	1	Nut Retainer				
29	56420020	1	Nut Retainer				
30	56003211	16	Scr, Hex Hd SS M6-1.0 x 12mm NOTE 4				
	56002885	6	Scr, Hex SS 3/8-16 x .75 NOTE 3				
31	56003263	18	Rivet, Nylon Tree Push-In (.25)				
32	56003639	6	Scr, Hex Hd SS M8-1.25 x 30mm				
33	56003657	4	Nut Hex Jam SS M12-1.75				
34	56003658	4	Scr Hex Thd To Hd SS M12-1.75 x 70mm				
35	56003671	2	Pin, Ring .50 x 1.25				
36#	56100764	1	Accessory Plate Data Plate (Advance only)				
37	56249682	1	Tube, Solution				
38	56262180	1	Tube Spiral .375				
39	56314030	2	Brush Holder				
40#	56314108	2	Hub, Drive				
41	56314053	2	Bracket, Motor NOTE 4				
	56315701	2	Bracket, Motor NOTE 3				
42	56314081	1	Weld't, Disk Deck 28"				
#	56314090	1	Weld't, Disk Deck 32" (BR 850S)				
43	56314141	1	Motor Gearbox Assy (28")				
#	56314335	1	Motor Gearbox Assy (32" / BR 850S) NOTE 4				
*	56314359	2	Key, 6mm Square				
*	56314499	2	Cover, Gearbox				
*	56314560	2	Gearbox				
*	56314580	1	Bearing (Fan End)				
*#	56412323	1	Bearing (Brush End)				
*	56314582	1	Brush Ring				
*	56314583	4	Carbon Brush				
*#	56314584	1	Safety Hook (Advance only)				

NOTE 1: See "BRUSH SELECTOR GUIDE" at back of manual for available scrub brushes.

NOTE 2: These Disk Deck Blade Kits include the mounting fasteners (Rivet, Nylon Tree Push-In 56003263 item 31), the two blades (items 51 & 59) and two blades for use in Skirt Assemblies (items 53 & 54).

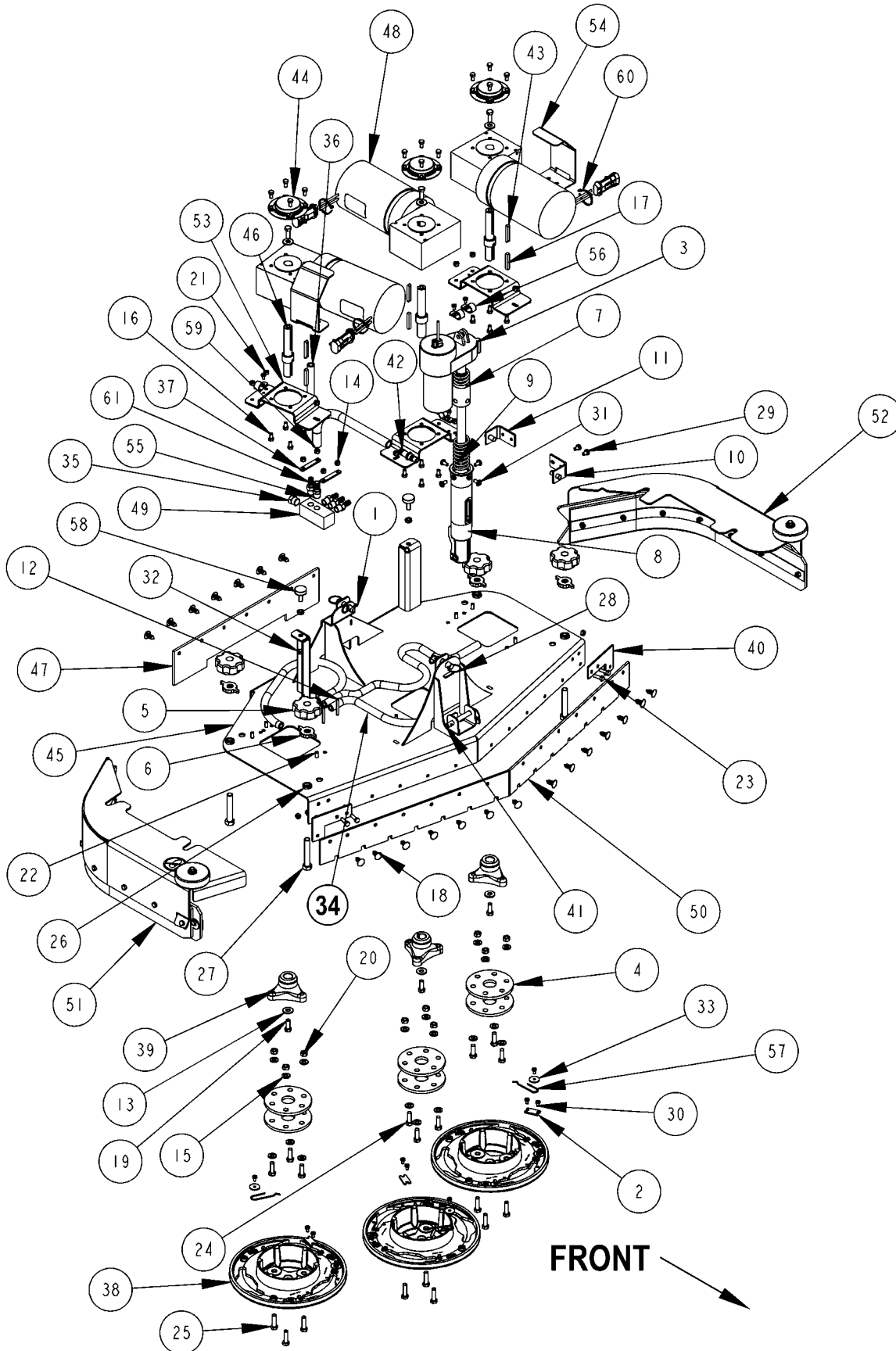
NOTE 3: Only used on 32" / BR 850S models after serial number 1931775.

NOTE 4: Used on all 28" models, but only used on 32" / BR 850S models before serial number 1931776.

NOTE 5: These Disk Deck Blade Kits include just the blades for use in the two Skirt Assemblies.

NOTE 6: See "SKIRT ASSEMBLIES-DISK (28", 32" / BR 850S / BEFORE TSBUS2004-884)".

NOTE 7: See "SKIRT ASSEMBLIES-DISK (28", 32" / BR 850S / AFTER TSBUS2004-884)".



04-3	SCRUB SYSTEM-DISK (35" 38" / BR 950S, 1050S)		
08-3	Adressor™ / BR 850S, 950S, 1050S		23

Item	Ref. No.	Qty	Description	Item	Ref. No.	Qty	Description
1	56002959	2	Pin, Cotter Hair	43	56314359	3	Key, 6mm Sq
2	56366455	3	Plate, Stop	44	56314499	3	Cover, Gearbox
3	56393303	1	Actuator, Motor (M1)	45	56314683	1	Weldment, Deck
*	56388520	1	Plastic Nut	46	56314687	3	Shaft, Hub Mount
4	56407053	6	Thermoid Disk	47	-		See Disk Deck Blade Kits below
5#	56407114	4	Knob TSBUS2007-963	48	56314789	3	Motor Gearbox Assembly (M7, M8, M10)
6	56407334	4	Knob	*	56314785	A/R	Gearbox, Replacement
7	56412071	1	Compression Spring	*	56314784	A/R	Motor, Replacement
8	56412262	1	Housing, Spring	*	56314786	A/R	Kit, Carbon Brush (1 kit per motor)
9	56420018	1	Compression Spring	49	56314790	1	Manifold, Solution
10	56420019	1	Nut Retainer	50	-		See Disk Deck Blade Kits below
11	56420020	1	Nut Retainer	51#	56314820	1	Skirt Assembly Right NOTE 4
12#	56002020	4	Scr, Pan Phil 10-24 x 1.75 (Advance only)	52#	56314821	1	Skirt Assembly Left NOTE 4
13#	56002220	6	Wsh, Flt Std 5/16 (Advance only)	53	56314868	3	Bracket, Motor
14#	56002768	4	Nut, Hex Nyl Loc 10-24 (Advance only)	54	56314902	2	Bracket, Motor Guard
15	56002938	18	Wsh, Flt SAE SS 5/16	55	56373456	1	Barb, Adapter 1/2 x 1/4NPT
16	56003211	24	Scr, Hex Hd SS M6-1.0 x 12mm	56	56385564	4	Clamp, P
17	56003246	3	Key, Sq .25 x 1.62	57	56397081	3	Spring Retainer
18	56003263	21	Rivet, Nylon Tree Push-In (.25)	58	56401783	2	Leg Leveler 5/16-18
19	56003335	6	Scr Hex Loc SS 5/16-18 x .88	59	56409462	1	Hose, Spiral .500
20	56003405	9	Nut, Hex Nyl Loc SS M8 x 1.25	60	56478246	3	Tie, Cable
21	56003426	13	Nut, Hex Nyl Loc SS M6 x 1.0	61	56900034	4	Barb, Adapter 3/8 X 1/4NPT
22	56003431	9	Scr, Hex Hd SS M6-1.0 x 16mm				35" Disk Deck Blade Kit
23#	56003443	4	Scr, Pan Phil M6-1.00 x 20mm (38" / BR 1050S)	**	56314847	1	Kit, Neoprene 35 Disk NOTE 2
24	56003477	9	Scr, Hex Loc SS M8-1 x 25mm	**	56314846	1	Kit, Linatex 35 Disk NOTE 2
25	56003639	9	Scr, Hex Hd SS M8-1.25 x 30mm	**#	56315720	1	Kit, Red Gum Rubber NOTE 3
26	56003657	4	Nut Hex Jam SS M12-1.75				38" Disk Deck Blade Kits
27	56003658	4	Scr Hex Thd To Hd SS M12-1.75 x 70mm	**	56314849	1	Kit, Neoprene 38 Disk NOTE 2
28	56003671	2	Pin, Ring .50 x 1.25	**	56314848	1	Kit, Linatex 38 Disk NOTE 2
29	56009019	2	Scr, Hex Thd Form 1/4-20 x .38	**#	56315720	1	Kit, Red Gum Rubber NOTE 3
30	56009030	13	Scr, Pan Phil Thd Form 10-24 x .38				* = Not Shown
31	56009062	4	Scr, Pan Phil Thd Form 1/4-20 x .50				** = Optional
32	56009086	4	Nut, Hex Jam 5/16-18				# = Revised or new since last update
33	56009096	3	Wsh, Flt .193 x .875 x .060				
34#	56057580	3	Hose, Spiral .375 (Advance only)				
35	56261421	1	Plug, Hex Pipe				
36	56302015	1	Hose, Spiral .375				
37	56304601	2	Plate				
38	56314030	3	Brush Holder				
39#	56314108	3	Hub, Drive				
40	56314261	2	Skirt Bracket, Forward (38" / BR 1050S)				
41	56314294	1	Pin, Hitch Cotterless				
42	56314310	1	Coupling, Quick Disconnect, Male (only before TSBUS2005-888)				

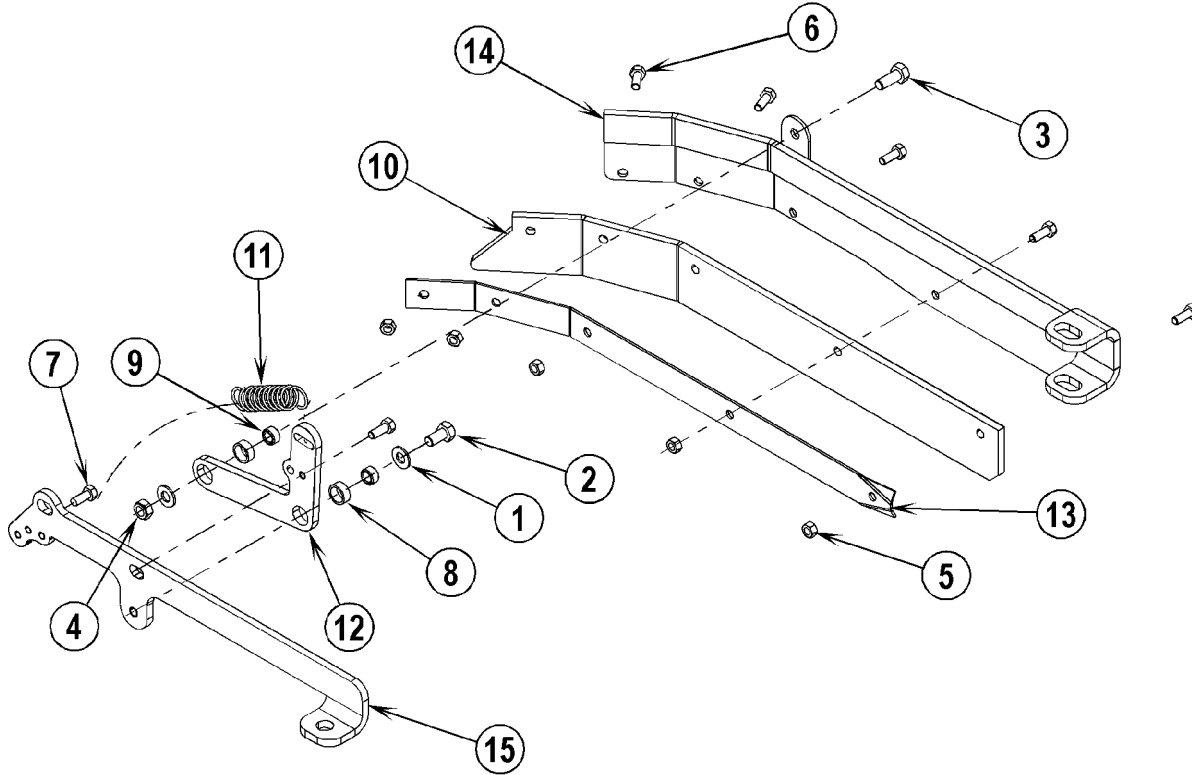
NOTE 1: See "BRUSH SELECTOR GUIDE" at back of manual for available scrub brushes.

NOTE 2: These Disk Deck Blade Kits include the mounting fasteners (Rivet, Nylon Tree Push-In 56003263 item 18), the two blades (items 47 & 50) and two blades for use in Skirt Assemblies (items 51 & 52).

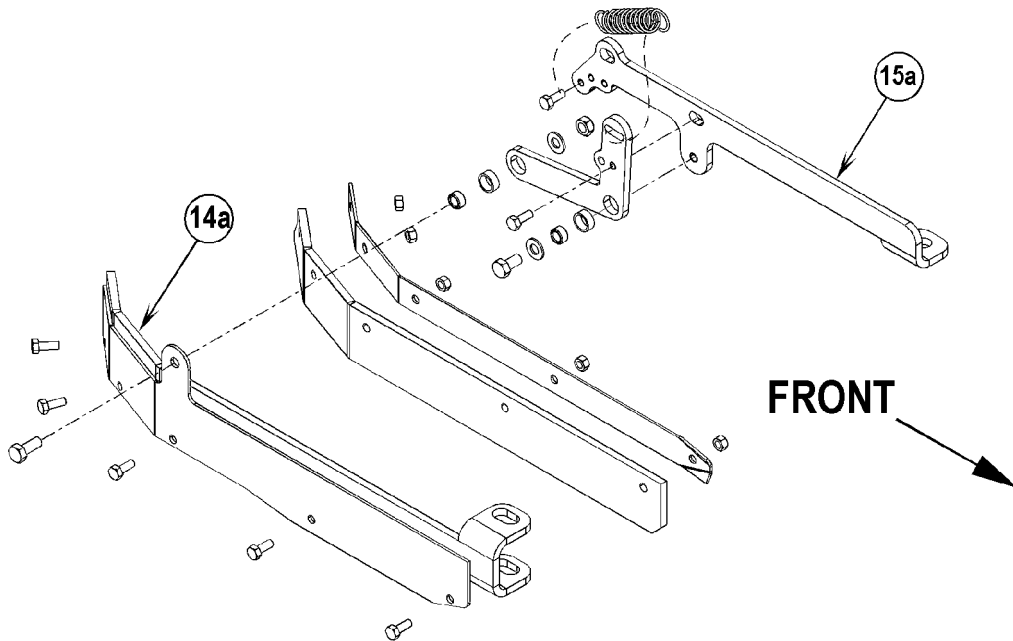
NOTE 3: These Disk Deck Blade Kits include just the blades for use in the two Skirt Assemblies.

NOTE 4: See "SKIRT ASSEMBLIES-DISK (35", 38" / BR 950S, 1050S)".

56314648-LEFT SKIRT ASSEMBLY



56314649-RIGHT SKIRT ASSEMBLY



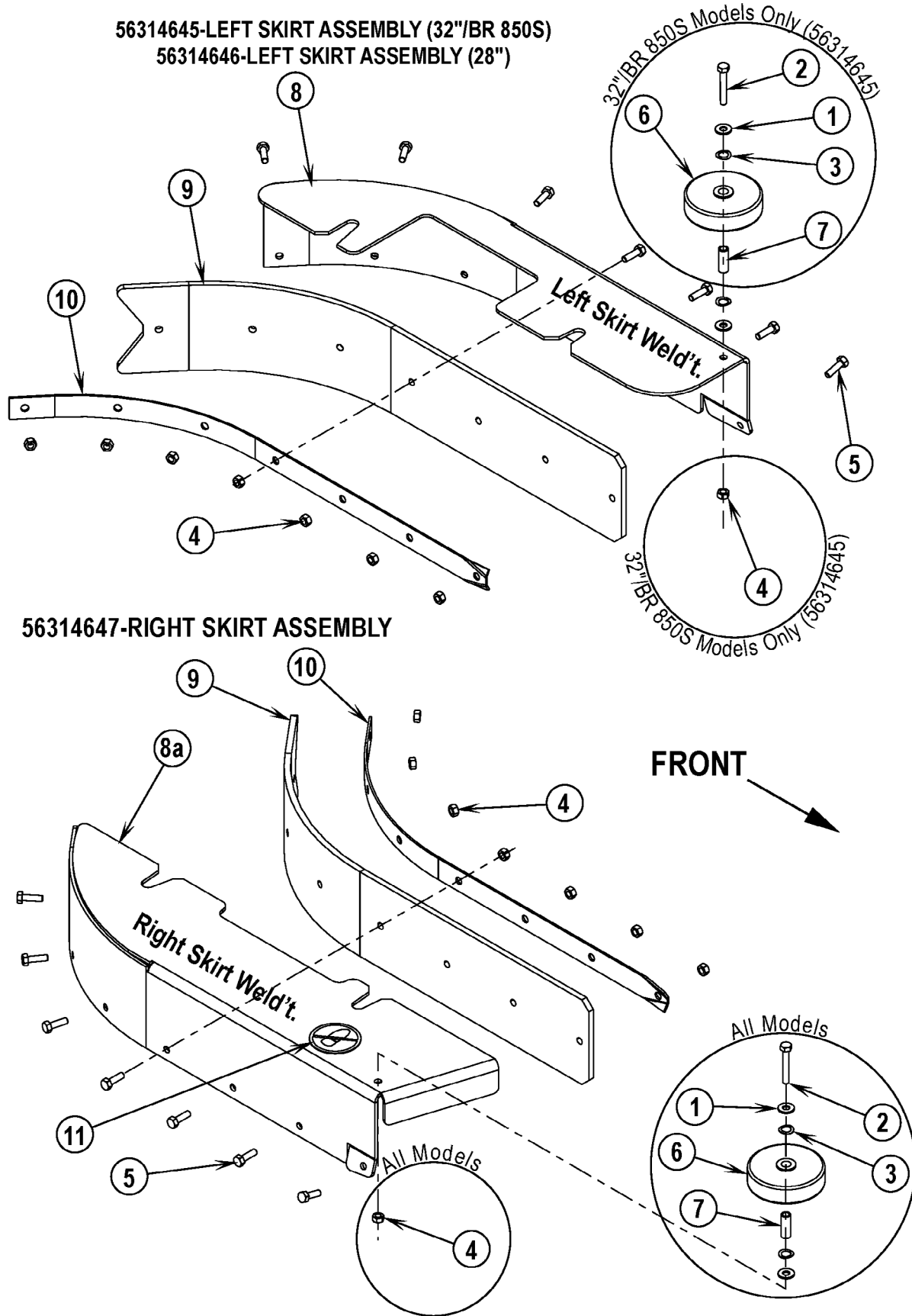
04-3	SKIRT ASSEMBLIES-CYLINDRICAL		
08-3	Adgressor™ / BR 850S, 950S, 1050S		25

Item	Ref. No.	Qty	Description
	56314648	1	Left Skirt Assembly
	56314649	1	Right Skirt Assembly
1	56001939	2	Wsh, Flt SAE 5/16
2	56003178	1	Scr, Hex M8-1.25 x 16mm
3	56003179	1	Scr, Hex Thd To Hd M8-1.25 x 20mm
4	56003389	1	Nut, Hex Nyl Loc M8-1.25
5	56003426	5	Nut, Hex Nyl Loc SS M6-1.00
6	56003431	6	Scr, Hex Hd SS M6-1.00 x 16mm
7	56003441	1	Scr, Hex Nyl Loc M6-1.00 x 15mm
8	56185263	2	Bearing, Sleeve
9	56320595	2	Bushing, .32 x .50 x .28
10	56410335	1	Skirt, Linatex
**	56407447	1	Skirt, Gum Rubber
**	56407392	1	Skirt, Neoprene
**	56314860	1	Kit, Deck Blade Cyl Linatex NOTE 2
**	56314861	1	Kit, Deck Blade Cyl Neoprene NOTE 2
11	56470672	1	Spring, Extension
12	56314435	1	Arm, Mount
13	56314437	1	Retainer, Skirt
14	56314439	1	Skirt Bracket Weld't, Left
14a	56314438	1	Skirt Bracket Weld't, Right
15	56314440	1	Bracket, Mount, Left
15a	56314441	1	Bracket, Mount, Right

** = Optional

NOTE: All quantities are for one skirt assembly only, there are two skirt assemblies on the machine.

NOTE 2: For use on 35" / BR 950S and 38" / BR 1050S decks. Deck Blade Kits include two (item 10) Blades and two Deck Blades (item 58) in "Scrub System-Cylindrical (35", 38" / BR 950S, 1050S)".



04-3	SKIRT ASSEMBLIES-DISK (28", 32"/BR 850S / BEFORE TSBUS2004-884)		
08-3	Adgressor™ / BR 850S, 950S, 1050S		27

Item	Ref. No.	Qty	Description
#	56314645	1	Left Skirt Assembly (32" / BR 850S)
#	56314646	1	Left Skirt Assembly (28") (Advance only)
	56314647	1	Right Skirt Assembly (All Models)
1	56002098	2	Wsh, Flt SAE 1/4 NOTE 1
2	56003167	1	Scr, Hex M6-1.00 x 40mm NOTE 1
3	56009045	2	Wsh, Bowed .375 x .578 x .060 NOTE 1
4	56003426	8	Nut, Hex Nyl Loc SS M6-1.00 (qty of 7 on 56314646)
5	56003454	7	Scr, Hex Thd to Hd SS M6-1.00 x 20mm
6	56324499	1	Wheel, 3.00 NOTE 1
7	56471220	1	Bushing NOTE 1
8	56314058	1	Frame, Skirt LH
8a	56314059	1	Frame, Skirt RH
9	-		See Disk Deck Blade Kits below
10	56314341	1	Retainer, Blade
11	56016163	1	Decal, No Step (Right Skirt Assembly only)
			28" Disk Deck Blade Kits
**	56314126	1	Kit, Gum Rubber 28 Disk NOTE 3
**	56314172	1	Kit, Neoprene 28 Disk NOTE 3
**	56314397	1	Kit, Linatex 28 Disk NOTE 3
**#	56315724	1	Kit, Gum Rubber NOTE 4
**#	56315723	1	Kit, Red Gum Rubber NOTE 4
			32" / BR 850S Disk Deck Blade Kits
**	56314127	1	Kit, Gum Rubber 32 Disk NOTE 3
**	56314173	1	Kit, Neoprene 32 Disk NOTE 3
**	56314398	1	Kit, Linatex 32 Disk NOTE 3
**#	56315724	1	Kit, Gum Rubber NOTE 4
**#	56315723	1	Kit, Red Gum Rubber NOTE 4

** = Optional

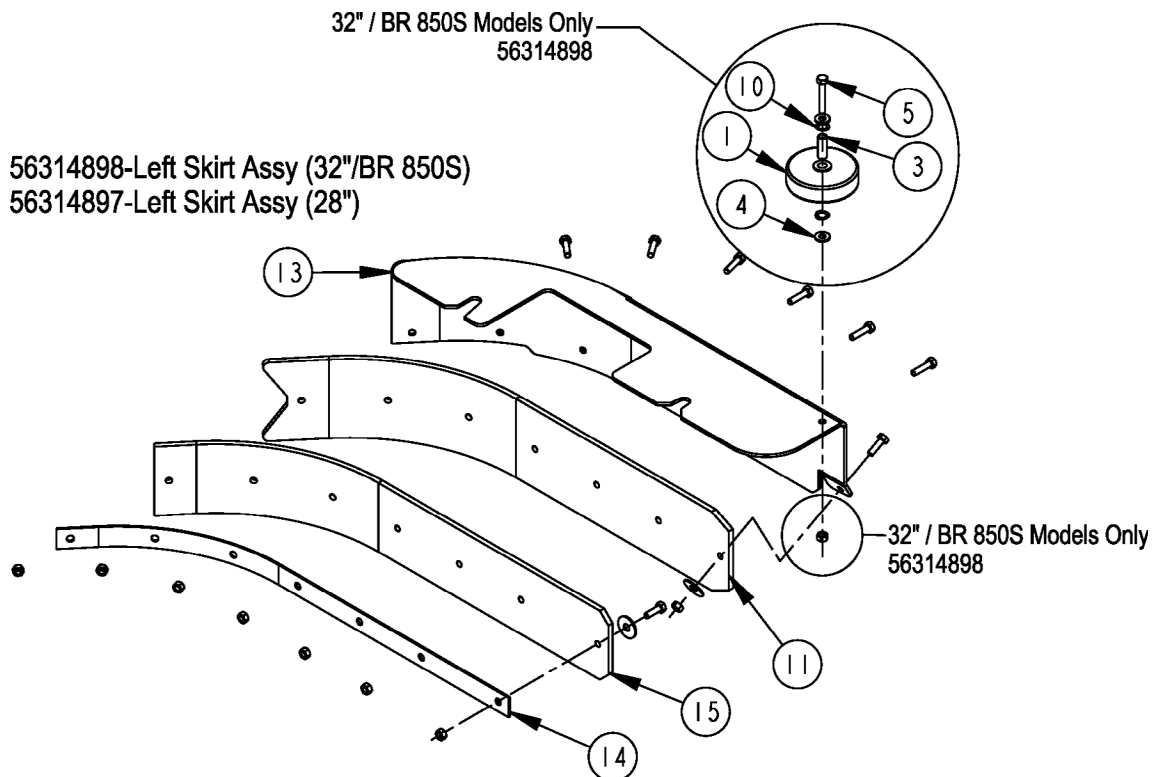
= Revised or new since last update

NOTE 1: These items are on the Right Skirt Assembly PN 56314647 on all models, but only on the 32" Left Skirt Assembly PN56314645.

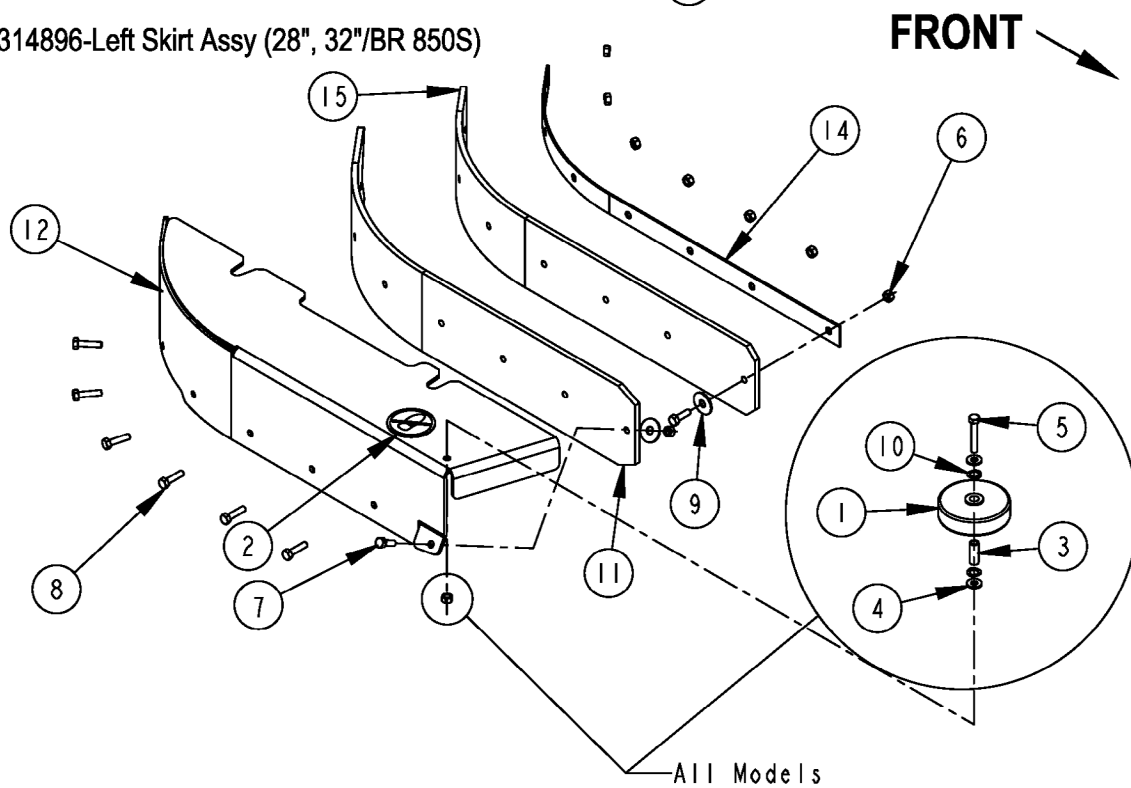
NOTE 2: All quantities are for one skirt assembly only, there are two skirt assemblies on the machine.

NOTE 3: These Disk Deck Blade Kits include the mounting fasteners (Rivet, Nylon Tree Push-In 56003263), two skirt blades (item 9) and the two deck blades (forward & rear).

NOTE 4: These Disk Deck Blade Kits include just the blades for use in the two Skirt Assemblies.



56314896-Left Skirt Assy (28", 32"/BR 850S)



04-3	SKIRT ASSEMBLIES-DISK (28", 32"/BR 850S / AFTER TSBUS2004-884)		
08-3	Adgressor™ / BR 850S, 950S, 1050S		29

Item	Ref. No.	Qty	Description
#	56314898	1	Skirt Assembly Left Linatex (32" / BR 850S)
	56314897	1	Skirt Assembly Left Linatex (28")
	56314896	1	Skirt Assembly Right Linatex (All Models)
1	56324499	1	Wheel 3.00 NOTE 1
2	56016163	1	Decal, No Step (Right Skirt Assembly only)
3	56471220	1	Bushing NOTE 1
4	56002098	2	Wsh, Flt SAE 1/4 NOTE 1
5	56003167	1	Scr,Hex M6-1.0x40mm NOTE 1
6	56003426	9	Nut, Hex Nyl Loc SS M6 x 1.0 (qty of 8 on 56314897)
7	56003454	2	Scr Hex Thd To Hd SS M6-1.0 x 20mm
8	56003693	6	Scr Hex Thd To Hd SS M6-1.0 x 25mm
9	56003696	2	Wsh, Flt SS .33 x 1.00 x .060
10	56009045	2	Wsh, Bowed .375 x .578 x .060 NOTE 1
11	-		See Disk Deck Blade Kits below
12	56314888	1	Frame, Skirt RH
13	56314889	1	Frame, Skirt LH
14	56314891	1	Retainer, Blade
15	-		See Disk Deck Blade Kits below
			28" Disk Deck Blade Kits
**	56314913	1	Kit, Gum Rubber 28 Disk NOTE 3
**	56314917	1	Kit, Linatex 28 Disk NOTE 3
**#	56315722	1	Kit, Gum Rubber NOTE 4
**#	56315721	1	Kit, Red Gum Rubber NOTE 4
			32" / BR 850S Disk Deck Blade Kits
**	56314914	1	Kit, Gum Rubber 32 Disk NOTE 3
**	56314918	1	Kit, Linatex 32 Disk NOTE 3
**#	56315722	1	Kit, Gum Rubber NOTE 4
**#	56315721	1	Kit, Red Gum Rubber NOTE 4

** = Optional

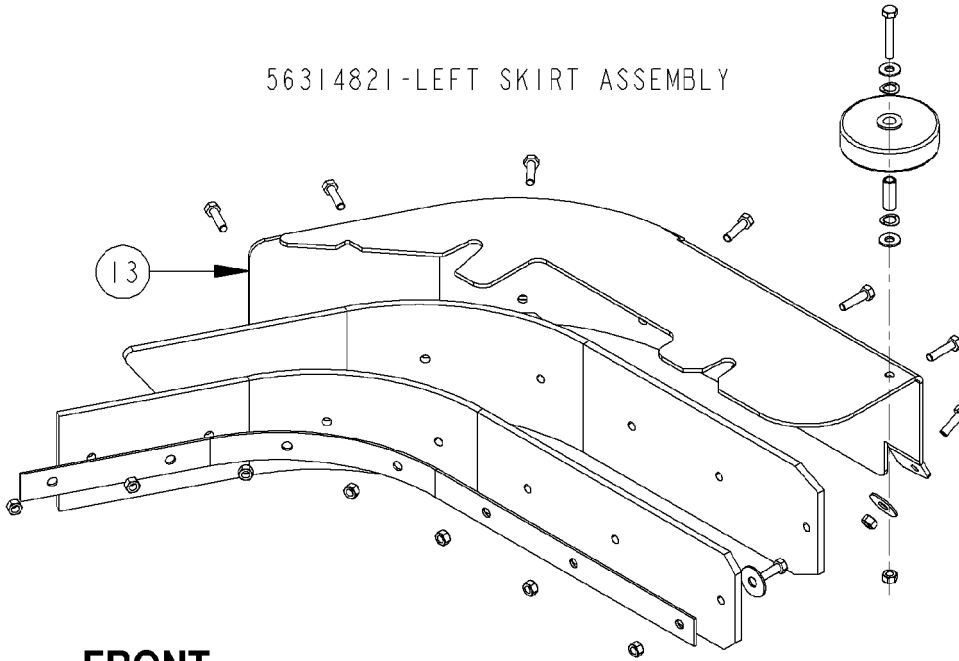
NOTE 1: These items are on the Right Skirt Assembly PN 56314896 on all models, but only on the 32" Left Skirt Assembly PN56314898.

NOTE 2: All quantities are for one skirt assembly only, there are two skirt assemblies on the machine.

NOTE 3: These Disk Deck Blade Kits include the mounting fasteners (Rivet, Nylon Tree Push-In 56003263), four skirt blades (items 11 & 15) and the two deck blades (front and rear).

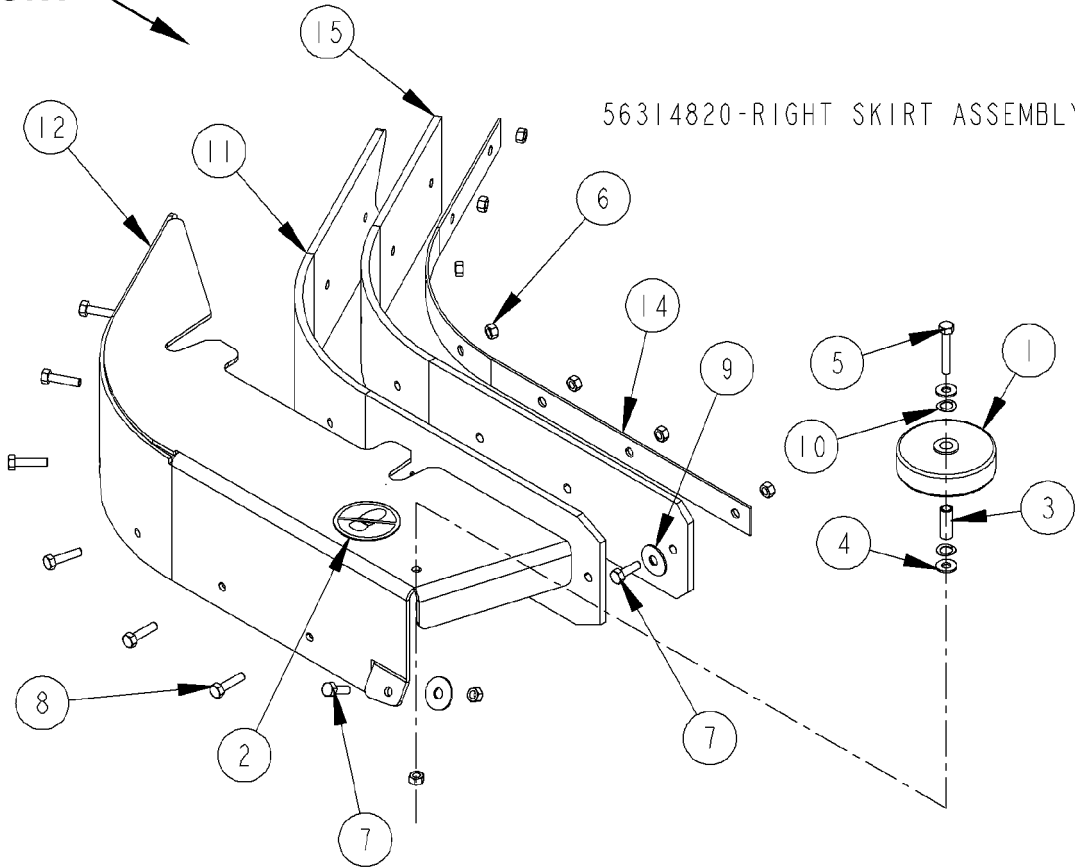
NOTE 4: These Disk Deck Blade Kits include just the blades for use in the two Skirt Assemblies.

56314821-LEFT SKIRT ASSEMBLY



FRONT

56314820-RIGHT SKIRT ASSEMBLY



04-3	SKIRT ASSEMBLIES-DISK (35", 38" / BR 950S, 1050S)		
08-3	Adgressor™ / BR 850S, 950S, 1050S		31

Item	Ref. No.	Qty	Description
#	56314821	1	Skirt Assembly Left
#	56314820	1	Skirt Assembly Right
1	56324499	1	Wheel 3.00
2	56016163	1	Decal, No Step (Right Skirt Assembly only)
3	56471220	1	Bushing
4	56002098	2	Wsh, Flt SAE 1/4
5	56003167	1	Scr, Hex M6-1.0 x 40mm
6	56003426	9	Nut, Hex Nyl Loc SS M6 x 1.0
7	56003454	2	Scr Hex Thd To Hd SS M6-1.0 x 20mm
8	56003693	6	Scr Hex Thd To Hd SS M6-1.0 x 25mm
9	56003696	2	Wsh, Flt SS .33 x 1.00 x .060
10	56009045	2	Wsh, Bowed .375 x .578 x .060
11	-		See Disk Deck Blade Kits below
12	56314871	1	Frame, Skirt RH
13	56314872	1	Frame, Skirt LH
14	56314873	1	Retainer, Blade
15	-		See Disk Deck Blade Kits below
			35" / BR 950S Disk Deck Blade Kit
**	56314847	1	Kit, Neoprene 35 Disk NOTE 1
**	56314846	1	Kit, Linatex 35 Disk NOTE 1
**#	56315720	1	Kit, Red Gum Rubber NOTE 3
			38" / BR 1050S Disk Deck Blade Kits
**	56314849	1	Kit, Neoprene 38 Disk NOTE 1
**	56314848	1	Kit, Linatex 38 Disk NOTE 1
**#	56315720	1	Kit, Red Gum Rubber NOTE 3

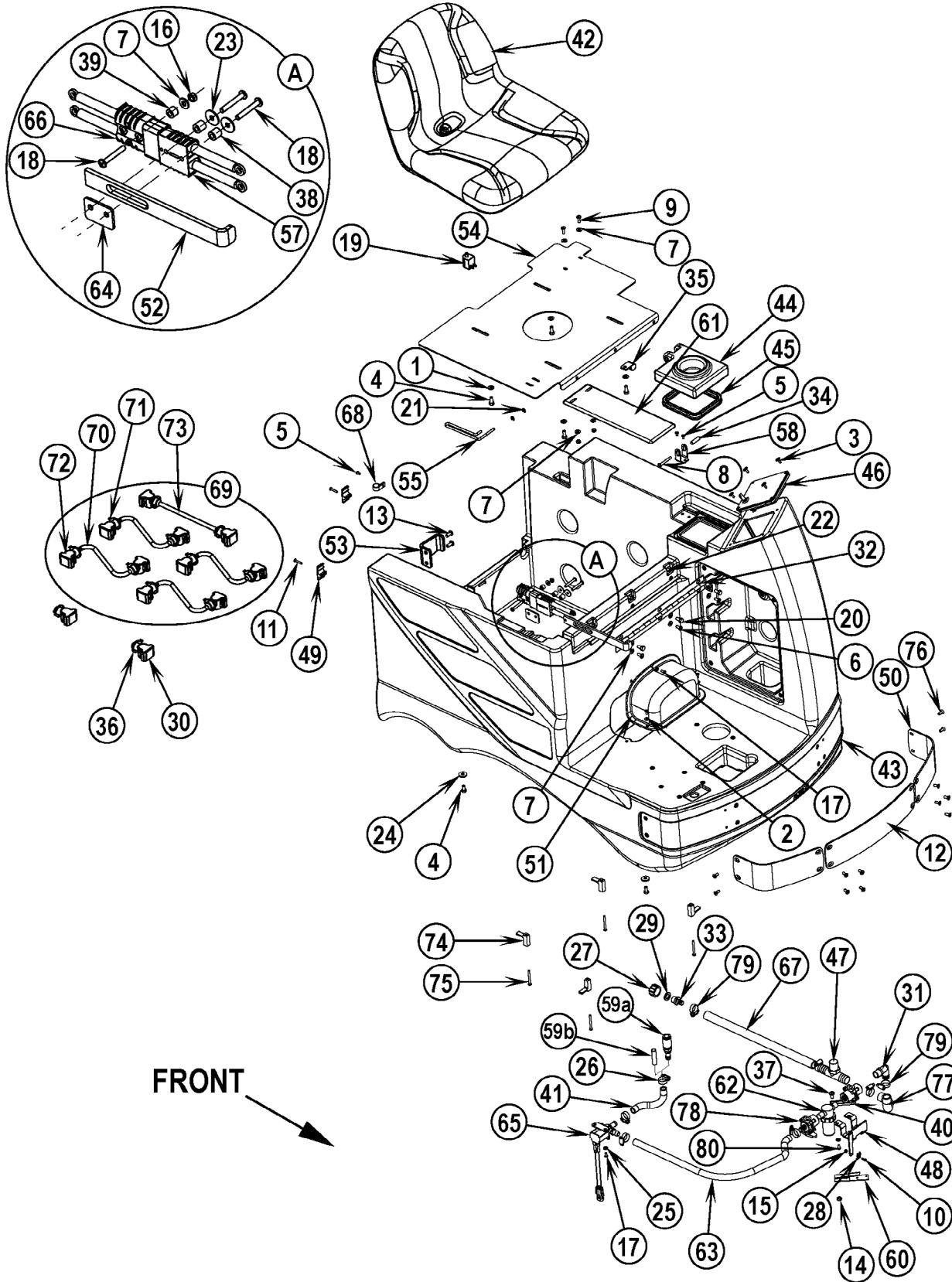
** = Optional

= Revised or new since last update

NOTE 1: These Disk Deck Blade Kits include the mounting fasteners (Rivet, Nylon Tree Push-In 56003263), four skirt blades (items 11 & 15) and the two deck blades (front & rear).

NOTE 2: All quantities are for one skirt assembly only, there are two skirt assemblies on the machine.

NOTE 3: These Disk Deck Blade Kits include just the blades for use in the two Skirt Assemblies.



04-3	SOLUTION SYSTEM (STANDARD)		
08-3	Adressor™ / BR 850S, 950S, 1050S		33

Item	Ref. No.	Qty	Description	Item	Ref. No.	Qty	Description
1	56001939	4	Wsh, Flt SAE 5/16	46	56314665	1	Control Panel Assembly
2	56001954	3	Wsh, Flt SAE #10	*	56314713	1	Membrane Switch Assy TSBUS2006-932
3	56009206	4	Scr, Truss Phil-Blk 10-24 x .50	*	56396188	1	Switch, Key
4#	56002035	8	Scr, Hex Hd 5/16-18 x .62	*	56396189	1	Key, Spare
5	56002043	3	Scr, Pan Phil 10-24 x .38	47	56314758	1	Tee
6	56002066	3	Scr, Pan Phil 1/4-20 x .62	48#	56314759	1	Bracket, Valve (Advance only) (Before TSBUS2004-874)
7	56002098	11	Wsh, Flt SAE 1/4		56314882	1	Bracket, Valve (After TSBUS2004-874)
8	56002108	1	Scr, Pan Phil 1/4-20 x 2.00	49	56314155	5	Clamp, Cable
9	56002507	2	Scr, Pan Phil 1/4-20 x .75	50	56314638	2	Bumper, Front
10	56002589	1	Scr, Hex Hd 6-32 x .50	51#	56314213	1	Cover, Actuator NOTE 2
11	56002674	5	Scr, Pan Phil 10-24 x 1.00	#	56314975	1	Cover, Actuator Closed NOTE 3
12	56314642	1	Bumper, Front Middle	52	56314292	1	Bar, Disconnect
13	56002793	2	Scr, Pan Phil 5/16-18 x .75	53	56316526	1	Tank Mount Bracket
14	56002826	1	Nut, Hex Nyl Loc-Thin 5/16-18	54#	56314624	1	Weld't, Seat Mount NOTE 2
15	56002830	1	Nut, Hex Nyl Loc 6-32	#	56314988	1	Weld't, Seat Mount NOTE 3
16	56002840	3	Nut, Hex Nyl Loc-Thin 1/4-20	55	56314223	1	Prop Rod
17	56002900	5	Scr, Pan Phil SS 10-24 x .50	56#	56314972	1	Harness, Main (Not Shown)
18	56002997	3	Scr, Pan Phil 1/4-20 x 1.75	57	56314253	1	Charge Connector Assy
19#	7-82-00050	1	Switch (S2)	58	56314264	1	Hinge Bracket
20	56003178	3	Scr, Hex M8-1.25 x 16mm	59a	56314311	1	Coupling, Quick Disconnect Female (Before TSBUS2005-888)
21	56003268	2	Ring, Ret Ext Type E Reinf. .25 Dia.	59b	56314904	1	Tube (After TSBUS2005-888)
22	56003389	3	Nut, Hex Nyl Loc M8-1.25	60#	56314401	1	Bracket, Water Valve (Advance only) (Before TSBUS2004-874)
23	56009002	2	Wsh, Flt .266 x .906 x .060		56314881	1	Bracket, Water Valve (After TSBUS2004-874)
24	56009122	4	Wsh, Flt .344 x .938 x .125	61	56314532	1	Panel, Battery Box
25	56009205	4	Wsh, Flt SS #10	62	56314756	1	Strainer
26	56219932	4	Clamp, Hose SAE #6	63	56386182	1	Hose, Spiral .50ID x 26.00
27	56255076	1	Cap, Pipe GHT Nylon	64	56397189	1	Spacer
28	56344265	1	Clamp, Cable	65	56397215	1	Solenoid Valve Assy, 36V (L1)
29	56368776	1	Washer, Rubber	66	56397508	1	Charge Connector Assy
30	56372673	2	Boot, Battery Post	67	56263218	1	Hose, .75 Clear PVC
31	56314757	1	Barb, 90 Elbow, 3/4 x 1/2NPT	68	56442003	1	Clamp, P
32#	56412196	1	Hinge NOTE 2	69	56314339	1	Kit, Battery Connector (includes items 70-73) (Advance only) NOTE 1
#	56314973	1	Hinge NOTE 3 (Advance only)	70	56456460	4	Cable, Battery
33	56900273	1	Barb	71	56478246	10	Tie, Cable
34	56468553	1	Bushing, .27 x .37 x 1.30	72	56372673	10	Boot, Battery Post
35	56469380	1	Clamp, P	73	56441600	1	Cable, Battery
36	56478246	2	Tie, Cable	*	56314119	1	Battery Spacer (Advance only)
37	56003003	1	Scr, Pan Phil 5/16-18 x .62	74	56314608	4	Clamp, Cable
38	56046309	2	Spacer, Phenolic	75	56002171	4	Scr, Pan Phil 10-24 x 2.00
39	56050872	1	Spacer, Phenolic	76	56002760	12	Scr, Flt Phil 1/4-20 x .62
40	56314899	1	Valve, Ball	77	56410162	1	Hose, Spiral .75 x 7.00
41	56262180	1	Hose, Spiral .50ID x 7.00	78	56314755	1	Valve, Solution
42#	8-69-00022	1	Seat NOTE 4	79	56112771	4	Clamp, Hose SAE #10
43#	56314626	1	Solution Tank NOTE 2 (Advance only)	80	56001993	2	Scr, Pan Phil 10-24 x .50
#	56314966	1	Solution Tank NOTE 3				
44	56314066	1	Cover, Solution Tank, Assy				
45	56314069	1	Gasket				

* = Not Shown

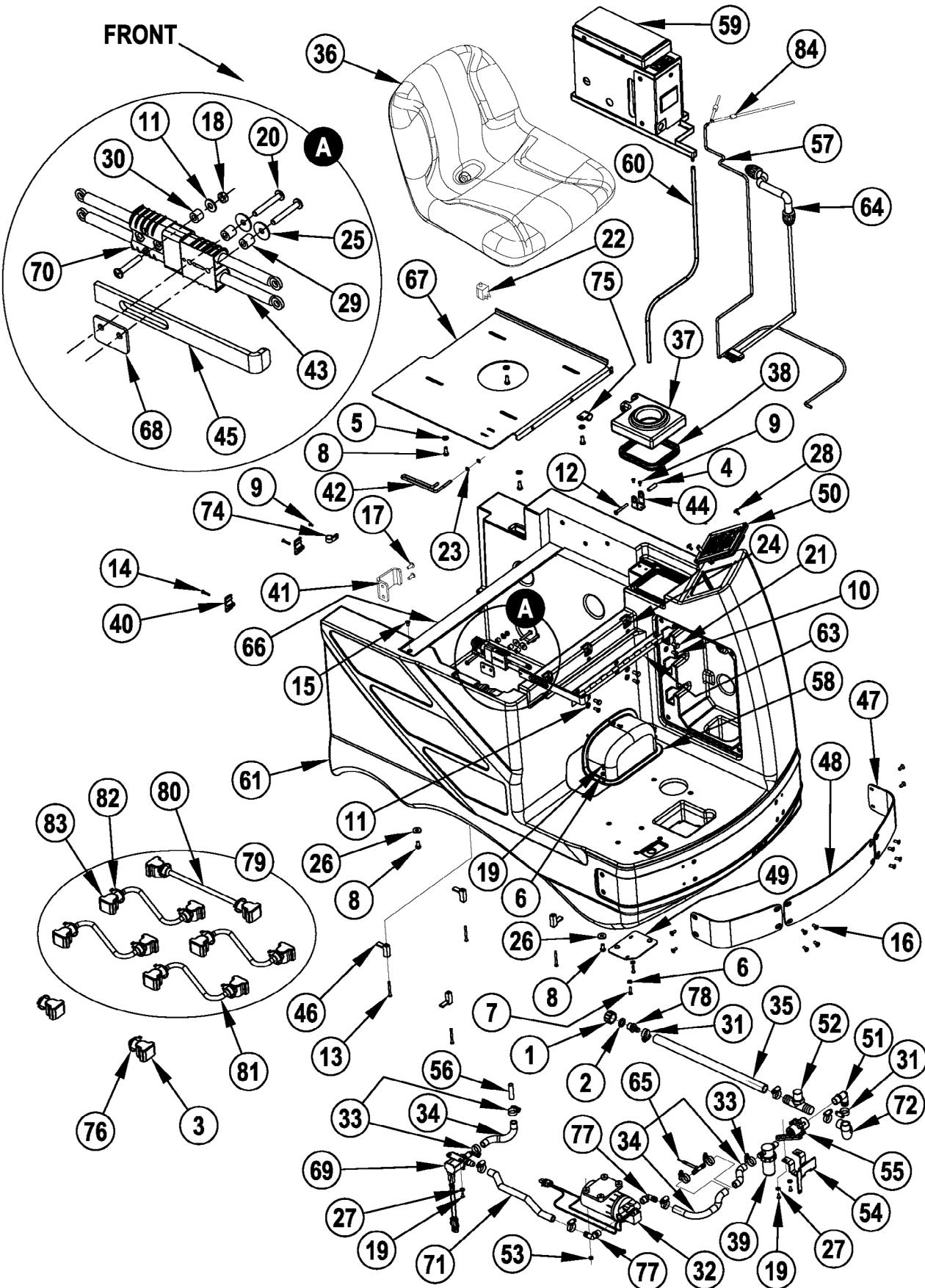
= Revised or new since last update

NOTE 1: For Advance models "Battery Connector Kit" (56314339) is included with machine. For Nilfisk models battery cables are not included, but "Battery Connector Kit" (56314326) can be ordered separately if battery connectors are desired.

NOTE 2: Used on machines built before TSBUS2005-896.

NOTE 3: Used on machines built after TSBUS2005-896.

NOTE 4: Seat 56314035 is obsolete and replaced by 8-69-00022 in production. Order Seat kit 56109292 to replace in the field.



04-3	SOLUTION SYSTEM (AXP/EDS)			
08-3	Adressor™ / BR 850S, 950S, 1050S			35

Item	Ref. No.	Qty	Description	Item	Ref. No.	Qty	Description
1	56255076	1	Cap, Pipe GHT Nylon	46	56314608	4	Clamp, Cable
2	56368776	1	Washer, Rubber	47	56314638	2	Bumper, Front
3	56372673	2	Boot, Battery Post	48	56314642	1	Bumper, Front Middle
4	56468553	1	Bushing, .27 x .37 x 1.3	49	56314644	1	Weldment, Adapter Plate
5	56001939	4	Wsh, Flt SAE 5/16	50	56314665	1	Control Panel Assy. Scrubber
6	56001954	5	Wsh, Flt SAE #10	*	56314713	1	Membrane Switch Assy TSBUS2006-932
7	56002733	2	Scr, Pan Phil 10-24 x .88	*	56396188	1	Switch, Key
8#	56002035	8	Scr, Hex 5/16-18 x .62	*	56396189	1	Key, Spare
9	56002043	3	Scr, Pan Phil 10-24 x .38	51	56314757	1	Barb, 90 Elbow 3/4 x 1/2NPT
10	56002066	3	Scr, Pan Phil 1/4-20 x .62	52	56314758	1	Tee, Barb
11	56002098	7	Wsh, Flt SAE 1/4	53#	56002768	2	Nut, Hex Nyl Loc 10-24 (Advance only)
12	56002108	1	Scr, Pan Phil 1/4-20 x 2.00	*	56314787	1	Harness, Cable
13	56002171	4	Scr, Pan Phil 10-24 x 2.00	54	56314881	1	Bracket, Valve
14	56002674	5	Scr, Pan Phil 10-24 x 1.00	55	56314899	1	Valve, Solution
15	56002755	1	Scr, Flt Phil 1/4-20 x .50	56	56314904	1	Tube
16	56002760	12	Scr, Flt Phil 1/4-20 x .62	57#	56314947	1	Hose, Chem Resistant (Advance only)
17	56002793	2	Scr, Pan Phil 5/16-18 x .75	58	56314960	1	Cover, Actuator
18	56002840	1	Nut, Hex Nyl Loc-Thin 1/4-20	59	56316537	1	Assy, Detergent Inject. TSBUS2006-922 (See Detergent Injection System)
19	56002900	7	Scr, Pan Phil SS 10-24 x .50	60	56314965	1	Hose, PVC 1/4 x 3/8
20	56002997	3	Scr, Pan Phil 1/4-20 x 1.75	61	56314966	1	Solution Tank
21	56003178	3	Scr, Hex M8-1.25 x 16mm	62	56314972	1	Harness, Main (Not Shown)
22#	7-82-00050	1	Switch (S2)	63#	56314973	1	Hinge (Advance only)
23	56003268	2	Ring, Ret Ext Type E Reinf. 0.25 Dia	64	56314980	1	Harness, Detergent System
24	56003389	3	Nut, Hex Nyl Loc M8-1.25	65	56314983	1	Tee Assembly
25	56009002	2	Wsh, Flt .266 x .906 x .060	66	56314985	1	Bracket, Seat
26	56009122	4	Wsh, Flt .344 x .938 x .125	67	56314986	1	Weld't, Seat Mount
27	56009205	4	Wsh, Flt SS .219 x .500 x .047/.062	68	56397189	1	Spacer
28	56009206	4	Scr, Truss Phil-Blk 10-24 x .50	69	56397215	1	Solenoid Valve Assy. 36V
29	56046309	2	Spacer, Phenolic	70	56397508	1	Charge Connector Assy
30	56050872	1	Spacer, Phenolic	71	56409462	1	Hose, Spiral .50 ID x 12
31	56112771	4	Clamp, Hose SAE #10	72	56410162	1	Hose, Spiral .75 ID x 7.00
32	56212014	1	Pump, 36VDC	73			Intentionally Omitted
33	56219932	8	Clamp, Hose SAE #6	74	56442003	1	Clamp, P
34	56262180	3	Hose, Spiral .50 ID x 7.00	75	56469380	1	Clamp, P
35	56263218	1	Hose, .75 Clear PVC	76	56478246	2	Tie, Cable
36#	8-69-00022	1	Seat NOTE 1	77	56900069	2	Barb, 90 Elbow 1/2 x 3/8 NPT
37	56314066	1	Cover, Solution Tank, Assy	78	56900273	1	Barb
38	56314069	1	Gasket	79	56314339	1	Kit, Battery Connector (items 80-83) (Advance only)
39	56314147	1	Strainer	80	56441600	1	Cable, Battery
40	56314155	5	Clamp, Cable	81	56456460	4	Cable, Battery
41	56316526	1	Tank Mount Bracket	82	56478246	10	Tie, Cable
42	56314223	1	Prop Rod	83	56372673	10	Boot, Battery Post
43	56314253	1	Charge Connector Assy	*	56314119	1	Spacer, Battery (Advance only)
44	56314264	1	Hinge Bracket	84#	56316209	1	Check Valve Assy TSBUS2006-937
45	56314292	1	Bar, Disconnect				

* = Not Shown

= Revised or new since last update

NOTE 1: Seat 56314035 is obsolete and replaced by 8-69-00022 in production. Order Seat kit 56109292 to replace in the field.

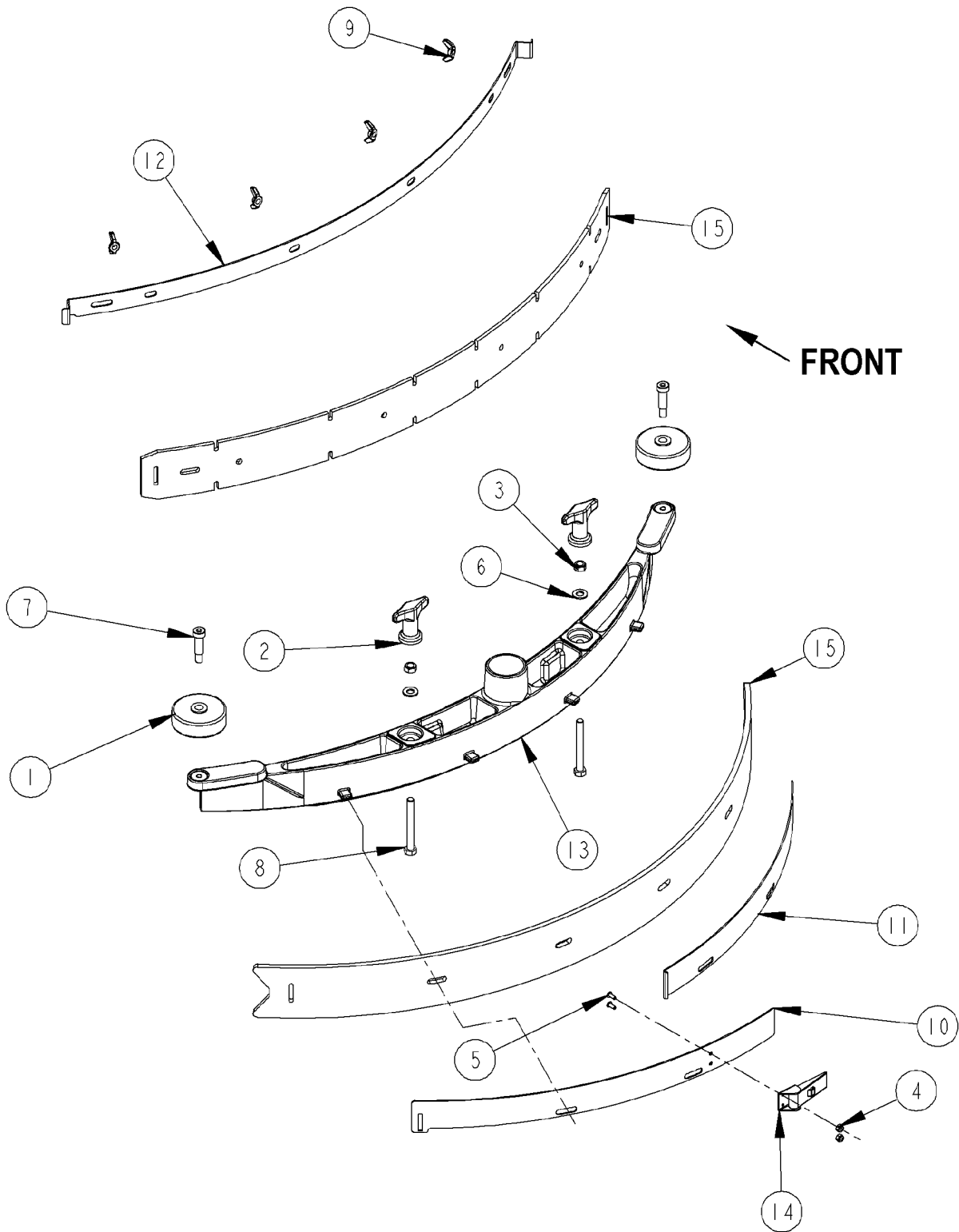
SQUEEGEE ASSEMBLY

04-3

36

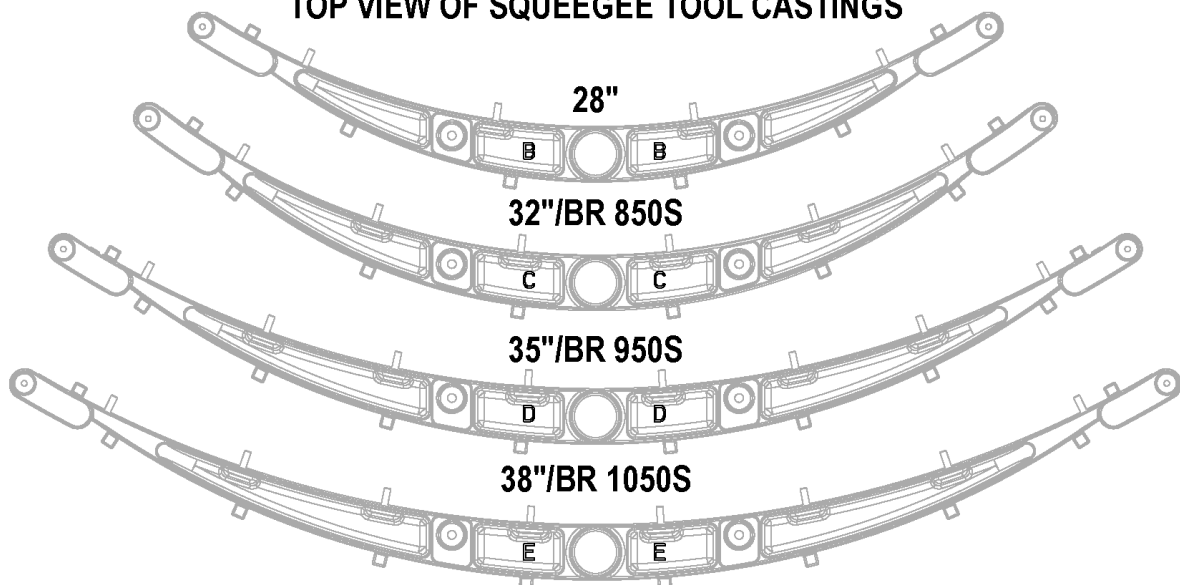
Adgressor™ / BR 850S, 950S, 1050S

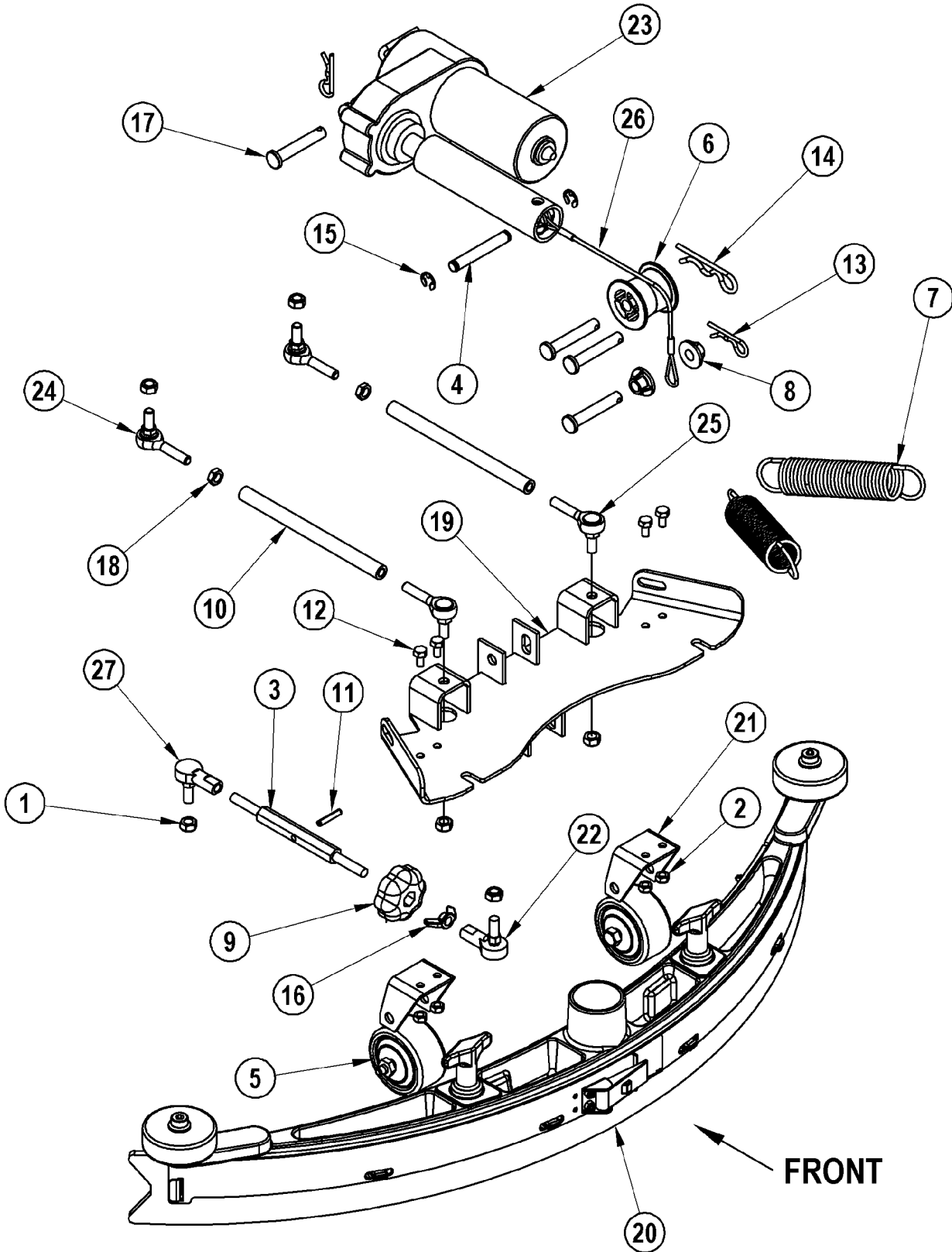
04-8



Item	Ref. No.	Qty	Description	Item	Ref. No.	Qty	Description
	56314651	1	Squeegee Assy (28")				28" Squeegee Blade Kits
#	56314650	1	Squeegee Assy (32" / BR 850S)	**	56314303	1	Kit, Standard Squeegee Blade NOTE 1
#	56314697	1	Squeegee Assy (35" / BR 950S)	**	56314304	1	Kit, Linatex Squeegee Blade NOTE 1
#	56314803	1	Squeegee Assy (38" / BR 1050S)	**	56314305	1	Kit, Neoprene Squeegee Blade NOTE 1
1	56324350	2	Wheel				32" / BR 850S Squeegee Blade Kits
2	56370711	2	Nut, Thumb	**	56314060	1	Kit, Standard Squeegee Blade NOTE 1
3#	56002851	2	Nut, Hex Nyl Loc-Thin SS 5/16-18 (Advance only)	**	56314061	1	Kit, Linatex Squeegee Blade NOTE 1
4#	56002907	2	Nut, Hex Nyl Loc SS 6-32 (Advance only)	**	56314062	1	Kit, Neoprene Squeegee Blade NOTE 1
5	56002909	2	Scr, Pan Phil SS 6-32 x .38				35" / BR 950S Squeegee Blade Kits
6	56002938	2	Wsh, Flt SAE SS 5/16	**	56314865	1	Kit, Linatex Squeegee Blade NOTE 1
7	56003472	2	Scr, Soc Shd .38 x 1.00 x 5/16-18	**	56314843	1	Kit, Neoprene Squeegee Blade NOTE 1
8	56003736	2	Scr, Hex Hd SS 5/16-18 x 2.75				38" / BR 1050S Squeegee Blade Kits
9#	56009111	4	Nut, Wing SS 1/4-20 (qty of 6 on 32" / BR 850S 8 on 35", 38" / BR 950S, 1050S)	**	56314844	1	Kit, Linatex Squeegee Blade NOTE 1
				**	56314845	1	Kit, Neoprene Squeegee Blade NOTE 1
10	56314026	1	Strap, Left Rear (28")	** = Optional, Not Included			
#	56314323	1	Strap, Left Rear (32" / BR 850S)	# = Revised or new since last update			
#	56314691	1	Strap, Left Rear (35" / BR 950S)	NOTE 1: Squeegee Blade Kits include both front & rear squeegee blades.			
#	56314797	1	Strap, Left Rear (38" / BR 1050S)				
11	56314027	1	Strap, Right Rear (28")				
#	56314324	1	Strap, Right Rear (32" / BR 850S)				
#	56314692	1	Strap, Right Rear (35" / BR 950S)				
#	56314798	1	Strap, Right Rear (38" / BR 1050S)				
12	56314028	1	Strap, Front (28")				
#	56314322	1	Strap, Front (32" / BR 850S)				
#	56314696	1	Strap, Front (35" / BR 950S)				
#	56314802	1	Strap, Front (38" / BR 1050S)				
13	56314271	1	Squeegee Tool, Cast (28")				
#	56314325	1	Squeegee Tool, Cast (32" / BR 850S)				
#	56314694	1	Squeegee Tool, Cast (35" / BR 950S)				
#	56314800	1	Squeegee Tool, Cast (38" / BR 1050S)				
14	56471194	1	Latch Assy				
15	56314304	1	Squeegee Blade Kit, Linatex (28") NOTE 1				
#	56314061	1	Squeegee Blade Kit, Linatex (32" / BR 850S) NOTE 1				
#	56314865	1	Squeegee Blade kit, Linatex (35" / BR 950S) NOTE 1				
#	56314844	1	Squeegee Blade kit, Linatex (38" / BR 1050S) NOTE 1				

TOP VIEW OF SQUEEGEE TOOL CASTINGS



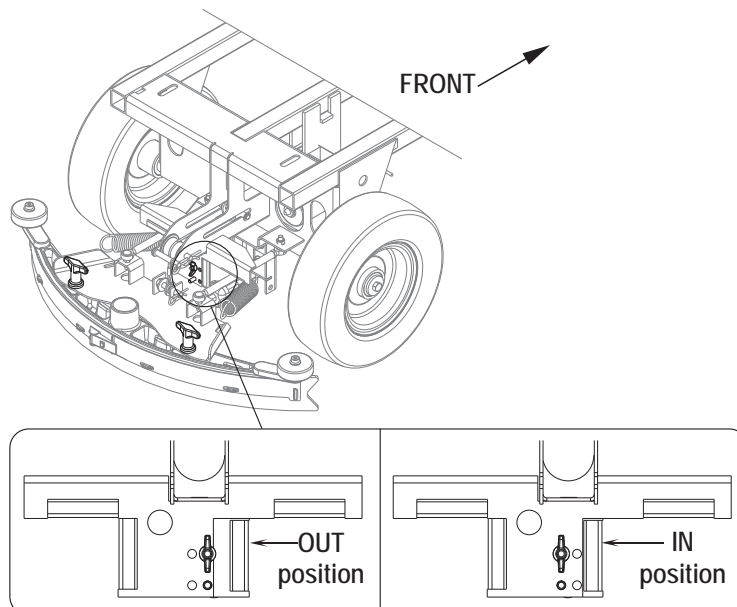


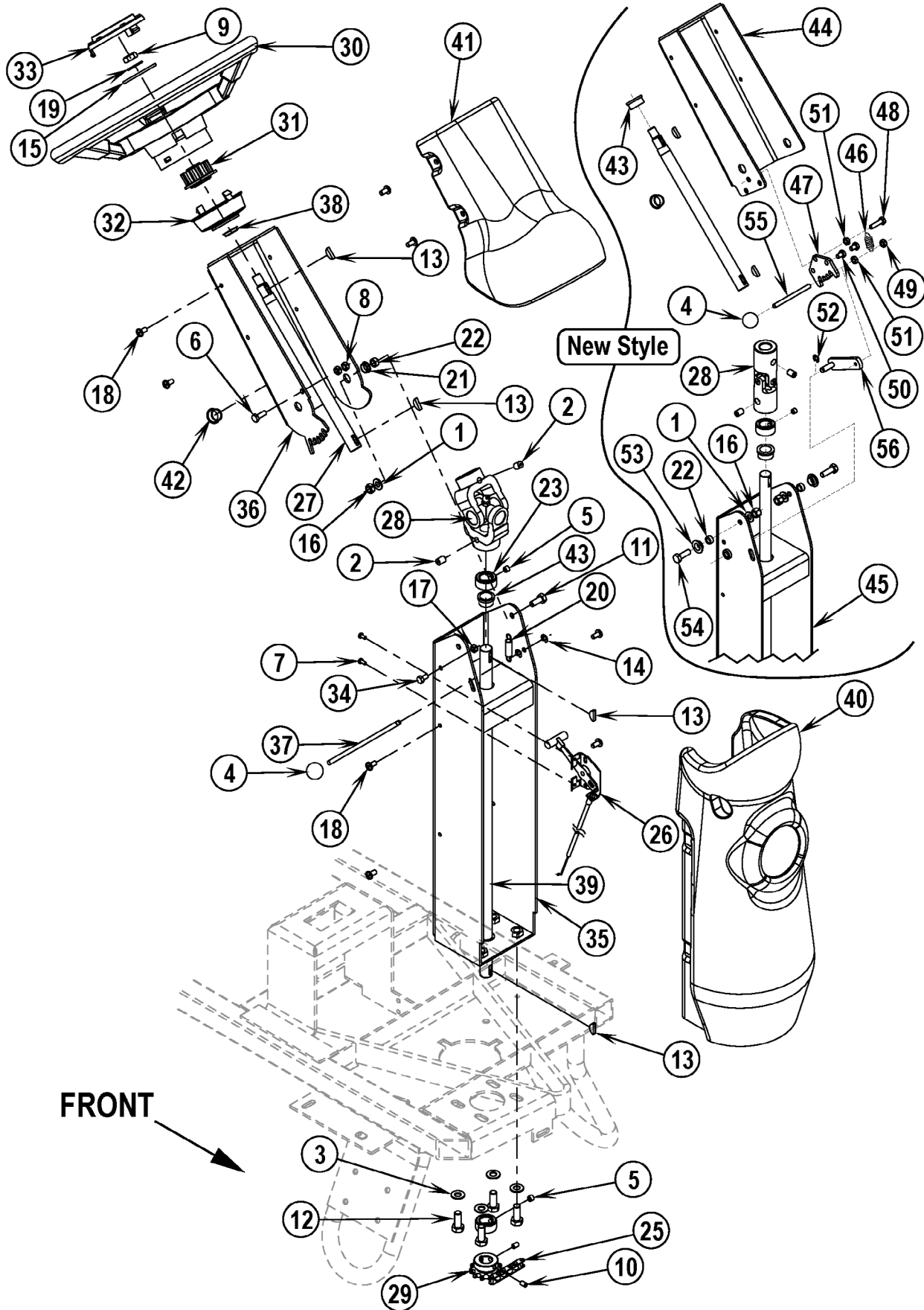
Item	Ref. No.	Qty	Description
1	56002866	6	Nut, Hex Nyl Loc-Thin 5/16-24
2	56003403	4	Nut, Hex Nyl Loc M6-1.00
3	56412067	1	Connecting Rod
4	56412088	1	Pin
5	56412124	2	Wheel
6	56412208	1	Roller
7	56412216	2	Spring, Extension
8	56412248	4	Spacer, Squeegee Cable
9	56412284	1	Knob, Squeegee Adjust
10	56412314	2	Connecting Rod
11	56002082	1	Pin, Spr .19 x 1.00
12	56003211	4	Scr, Hex Hd SS M6-1.0 x 12mm
13	56003222	2	Pin, Cotter Hair
14	56003223	1	Pin, Cot Hair .148 x Dia .62/1.00
15	56003262	2	Ring, Ret Ext Type E 0.38 Dia
16	56003497	1	Nut, Wing SS 5/16-24
17	56003656	4	Clevis Pin .375 x 2.25
18	56009102	2	Nut, Hex Jam 5/16-24
19	56314023	1	Squeegee Mount Weldment
20	56314651	1	Squeegee Assy (28") (2820)
	56314650	1	Squeegee Assy (32") (3220) NOTE 1
#	56314697	1	Squeegee Assy (35") (3520 / BR 850S / BR 950S) NOTE 1
#	56314803	1	Squeegee Assy (38") (3820 / BR 1050S)
21	56314722	2	Mount, Wheel
22	56395755	1	End, Rod
23	56397230	1	Actuator, Motor 36V (M2)
24	56412312	2	Rod End 5/16
25	56412313	2	Rod End 5/16
26	56412340	1	Cable Assembly
27	56477756	1	Rod End

* = Not Shown

= Revised or new since last update

NOTE 1: BR 850S models before SN 1819567 used Squeegee Assy 56314650, after SN use Squeegee Assy 56314697. If replacing squeegee 56314650 with 56314697 on either one of these two models (SN before 1819567) the Squeegee Stop Bracket needs to be set at the "in" position. See TSBUS2005-891.





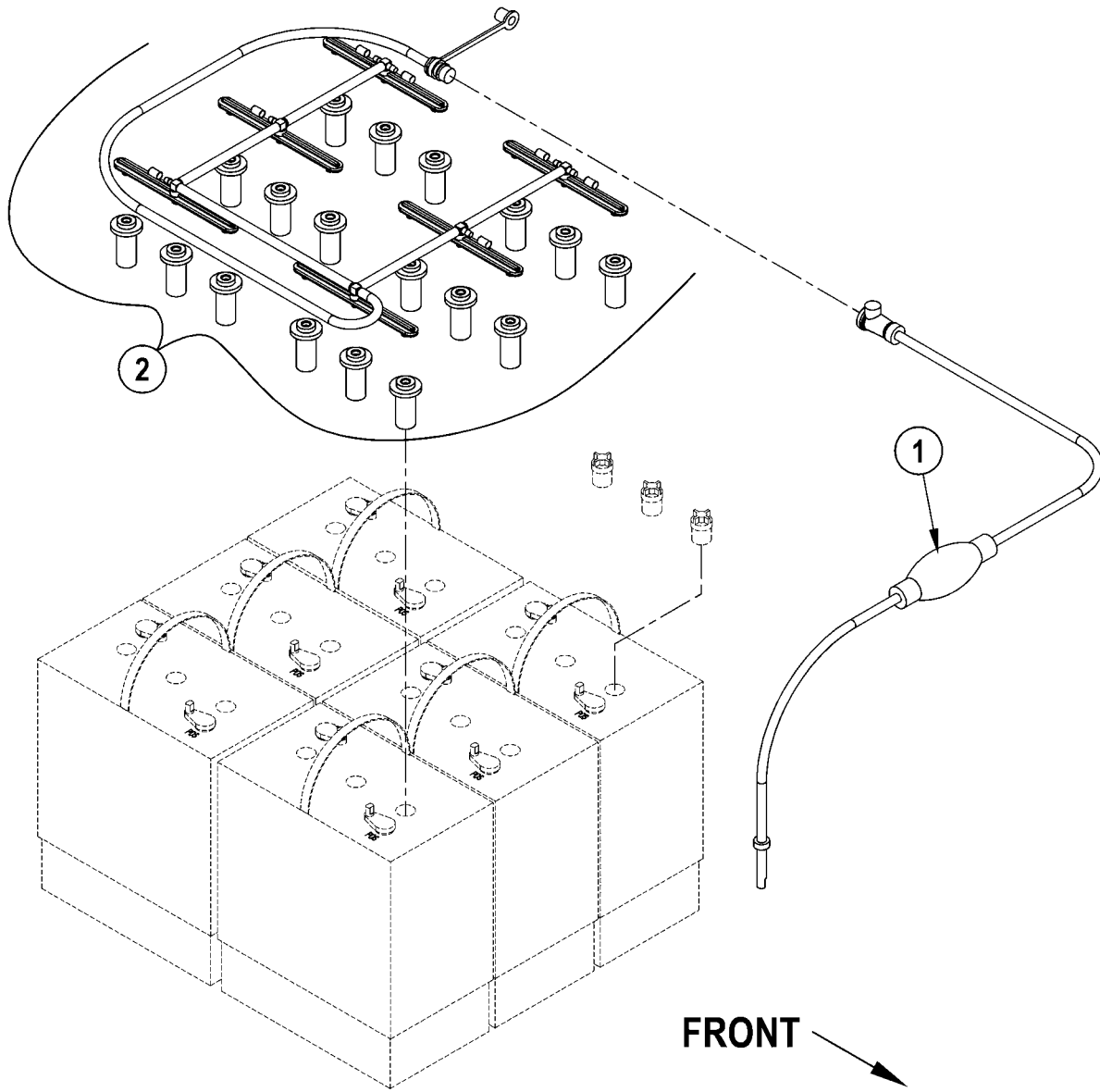
04-3	STEERING COLUMN ASSEMBLY			
08-3	Adressor™ / BR 850S, 950S, 1050S			41

Item	Ref. No.	Qty	Description	Item	Ref. No.	Qty	Description
1	56001939	2	Wsh, Flt SAE 5/16	44	56413657	1	Column, Upper NOTE 2
2	56001958	2	Scr, Soc Set Loc 3/8-16 x .50	45	56413659	1	Lower Column Weldt NOTE 2
3	56002063	4	Wsh, Flt SAE 3/8	46	56305072	1	Spring, Extension .075 NOTE 2
4	56440817	1	Knob	47	56413658	1	Ratchet, Steering Column NOTE 2
5	56002086	2	Scr, Soc Set Loc 5/16-18 x .25	48	56002093	1	Scr, Hex 1/4-20 x 1.00 NOTE 2
6	56002155	1	Scr, Hex Hd 1/4-20 x .75 NOTE 1	49	56002840	1	Nut, Hex Nyl Loc-Thin 1/4-20 NOTE 2
7	56002523	2	Scr, Pan Phil Thd Form 8-32 x .38 NOTE 3	50	56003039	2	Scr, Hex Hd Loc 1/4-20 x .50 NOTE 2
8	56002840	2	Nut, Hex Nyl Loc-Thin 1/4-20	51	56003145	2	Nut, Hex Jam SS 1/4-20 NOTE 2
9	56002843	1	Nut, Hex Nyl Loc-Thin 1/2-13	52	56003261	1	Ring, Ret Ext Type E 0.31 Dia NOTE 2
10	56002930	2	Scr, Soc Set Loc 1/4-20 x .38	53	56413211	2	Bearing, Flange .625 x .500 x .250 NOTE 2
11	56003179	2	Scr, Hex Thd To Hd M8-1.25 x 20mm NOTE 1	54	56003436	2	Scr, Hex SS M8-1.25 x 25mm NOTE 2
12	56003186	4	Scr, Hex Thd To Hd M10-1.50 x 25mm	55	56413664	1	Rod NOTE 2
13	56003228	4	Key, WDF .75 x .19	56	56413661	1	Steering Pawl Weldt NOTE 2
14	56003268	2	Ring, Ret Ext Type E Reinf. .25 Dia NOTE 1				# = Revised or new since last update
15	56003342	1	Wsh, Flt .88 x .25 x .13				
16	56003389	2	Nut, Hex Nyl Loc M8-1.25				
17	56003403	1	Nut, Hex Nyl Loc M6-1.00 NOTE 1				
18	56009062	8	Scr, Pan Phil Thd Form 1/4-20 x .50				
19	56001879	1	Wsh, Flt SAE 1/2				
20	56245008	1	Spring, Extension NOTE 1				
21	56302164	2	Bearing, Flange NOTE 1				
22	56320595	2	Bushing .32 x .50 x .28				
23	56367095	2	Collar, Shaft				
24#			Deleted Intentionally				
25	56412198	1	Chain, Roller				
26	56412281	1	Solution Control Cable NOTE 3				
27	56420059	1	Shaft, Upper Steering				
28	56454081	1	Universal Joint				
29	56471148	1	Sprocket				
30	56497306	1	Steering Wheel				
31	56497560	1	Wheel Adapter				
32	56497308	1	Cup				
33	56497543	1	Cap				
34	56003155	1	Scr, Hex M6-1.00 x 12mm NOTE 1				
35	56314877	1	Lower Column Weldment NOTE 1				
36#	56314093	1	Column, Steering NOTE 1 TSBUS2007-960				
37	56314094	1	Rod, Steering lock NOTE 1				
38	56314148	1	Bearing, Nyliner NOTE 1				
39	56314195	1	Shaft, Lower Steering				
40	56314295	1	Shroud, Lower Column				
41	56314296	1	Shroud, Upper Column				
42	56900041	1	Plug, Cap				
43	56250414	2	Bearing, Flange (qty of 3 after serial number 1942863)				

NOTE 1: Used on machines built before serial number 1942864.

NOTE 2: Used on machines built after serial number 1942863.

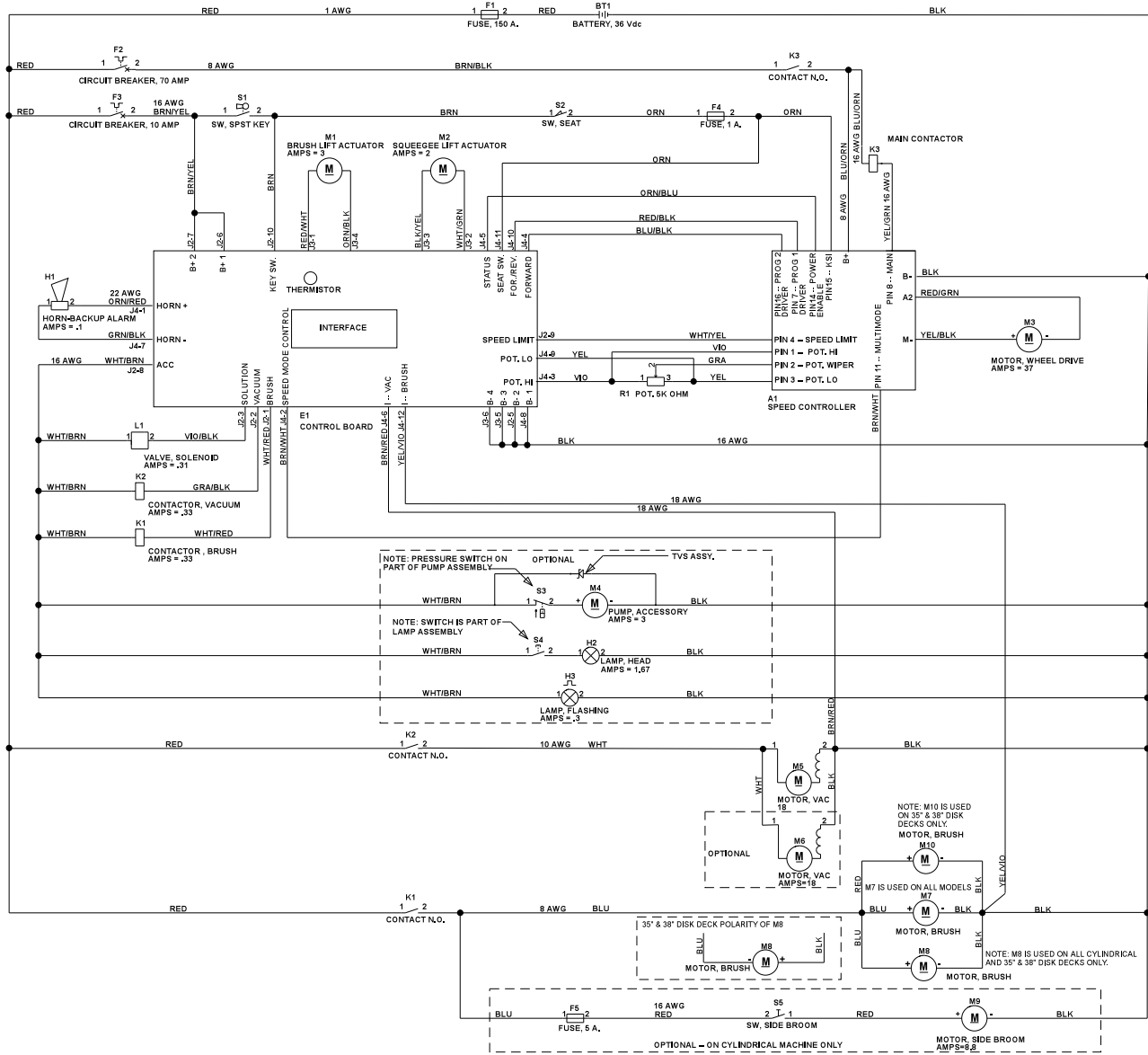
NOTE 3: Not used on AXP/EDS models.



04-3	BATTERY WATERING SYSTEM		
08-3	Adgressor™ / BR 850S, 950S, 1050S		43

Item	Ref. No.	Qty	Description
#	56314974	1	Battery Watering System (items 1-2) (Standard on Advance Detergent Injection Models) (Advance only)
#	56314981	1	Battery Watering Kit (includes 56314974) (Advance only)
1#	56314978	1	Pump (Advance only)
2#	56314979	1	Manifold Assembly (Advance only)

= Revised or new since last update



REFERENCE: WIRING DIAGRAM 56314680

56015231-REV E

Item	Ref. No.	Qty	Description	Item	Ref. No.	Qty	Description
A1	56314667	1	Controller	M8	56407431	1	Motor, 36VDC, .75HP (All Cylindrical)
BT1	N/A		Battery	*#	56417489	1	Armature (for 56407431) (Advance only)
E1	56314665	1	Control Panel Assembly	*	56407490	1	Bearing (for 56407431)
*	56314713	1	Membrane Switch Assy TSBUS2006-932	*	56407492	1	Brush Cap Assy (for 56407431)
*	56396188	1	Switch, Key	*	56407493	4	Carbon Brush Assy (for 56407431)
*	56396189	1	Key, Spare	*	56407494	4	Brush Cover Cap (for 56407431)
F1	56412089	1	Fuse, 150 Amp	M8	56314789	1	Motor Gearbox Assembly (35", 38" / BR 950S, 1050S Disk)
F2	56454429	1	Circuit Breaker, 70 Amp (Wheel Drive)	*	56314785	1	Gearbox, Replacement
F3	56387316	1	Circuit Breaker, 10 Amp (Control Circuit)	*	56314784	1	Motor, Replacement
F4	N/A	1	Fuse, 1 Amp	*	56314786	1	Kit, Carbon Brush
F5		1	Fuse, 5 Amp (Side Broom / optional)	M9	56469530	1	Motor, Side Broom (optional)
H1	56412177	1	Horn / Backup Alarm	M10	56314789	1	Motor Gearbox Assembly (35", 38" / BR 950S, 1050S Disk)
H2	56409239	1	Headlight (optional)	*	56314785	1	Gearbox, Replacement
H3	56416433	1	Strobe Light (optional)	*	56314784	1	Motor, Replacement
K1#	56395453	1	Contact, Brush Motor	*	56314786	1	Kit, Carbon Brush
K2#	56395455	1	Contact, Vac Motor	R1	56454740	1	Potentiometer, 5K
K3#	56395453	1	Contact, Wheel Drive	S1	56396188	1	Switch, Key
L1	56397215	1	Solenoid Valve	*	56396189	1	Key, Spare
M1	56393303	1	Lift Actuator, Brush	S2#	7-82-00050	1	Switch, Seat
*	56388520	1	Plastic Nut	S3	N/A	1	Switch, Pump (part of M4)
M2	56397230	1	Lift Actuator, Squeegee	S4	N/A	1	Switch, Headlight (part of H2)
M3	56314635	1	Motor / Drive Wheel Assy	S5	56372088	1	Switch, Side Broom (optional)
*	56412325	1	Carbon Brush Kit				
M4	56212014	1	Motor, Pump (optional)				
M5	56397228	1	Motor, Vac 36VDC (Advance only)				
*	56410065	1	Motor, Vac 36VDC (Nilfisk only)				
*	56212223	1	Carbon Brush Set				
M6	56397228	1	Motor, Vac 36VDC (optional / Advance only)				
*	56410065	1	Motor, Vac 36VDC (optional / Nilfisk only)				
*	56212223	1	Carbon Brush Set				
M7#	56314141	1	Motor Gearbox Assy (28" / Disk)				
#	56314335	1	Motor Gearbox Assy (32", BR 850S / Disk)				
*	56314359	2	Key, 6mm Square				
*	56314499	2	Cover, Gearbox				
*	56314560	2	Gearbox				
*	56314580	1	Bearing (Fan End)				
*#	56412323	1	Bearing (Brush End)				
*	56314582	1	Brush Ring				
*	56314583	4	Carbon Brush				
*#	56314584	1	Safety Hook (Advance only)				
M7	56407431	1	Motor, 36VDC, .75HP (All Cylindrical)				
*#	56417489	1	Armature (for 56407431) (Advance only)				
*	56407490	1	Bearing (for 56407431)				
*	56407492	1	Brush Cap Assy (for 56407431)				
*	56407493	4	Carbon Brush Assy (for 56407431)				
*	56407494	4	Brush Cover Cap (for 56407431)				
M7#	56314789	1	Motor Gearbox Assembly (35", 38" / BR 950S, 1050S Disk)				
*	56314785	1	Gearbox, Replacement				
*	56314784	1	Motor, Replacement				
*	56314786	1	Kit, Carbon Brush				

* = Not Shown

** = Optional

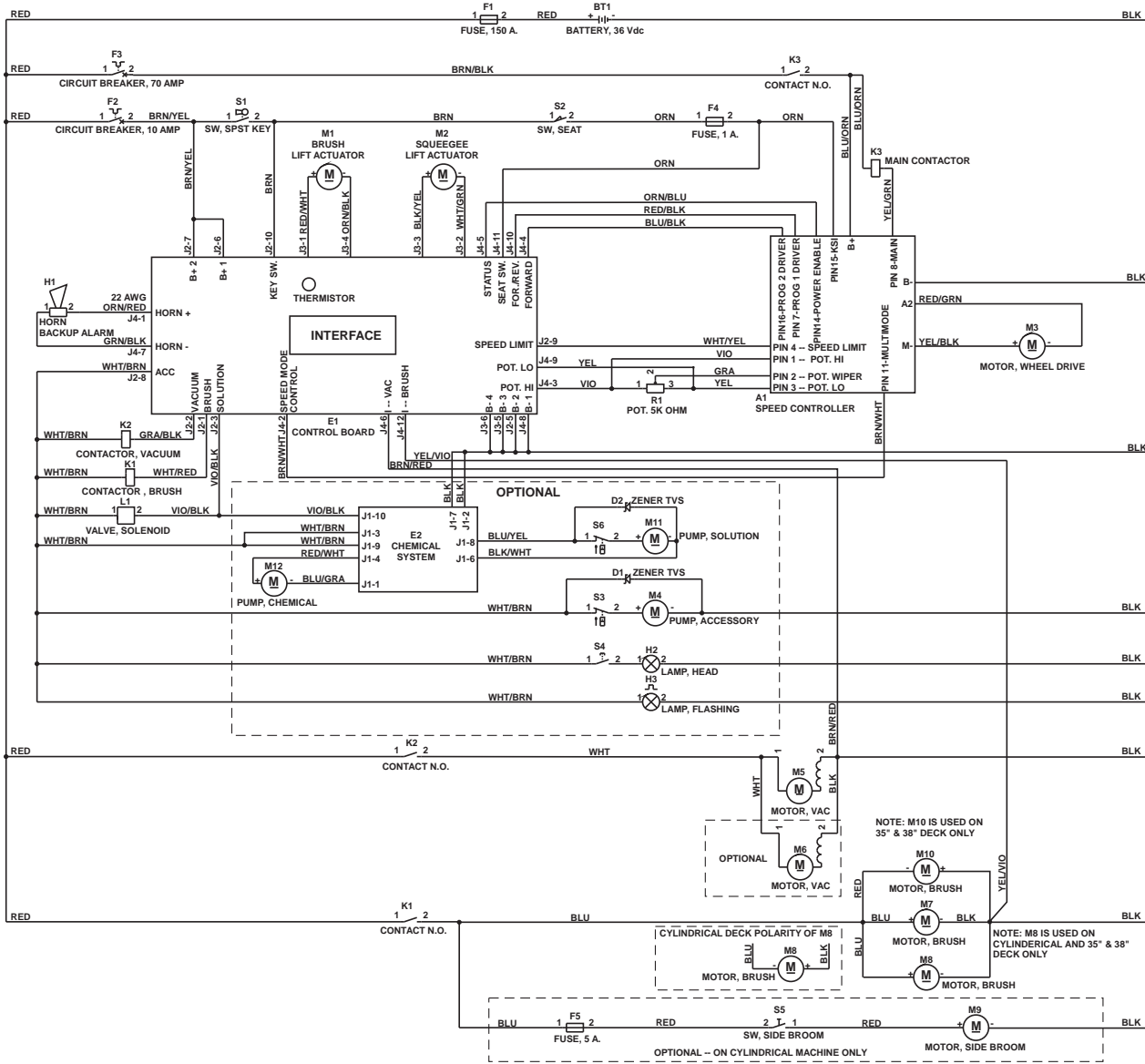
= Revised or new since last update

Wiring diagram for Machines built before this Serial Number Chart

1863250 – BR 850

1863255 – BR 950

1863260 – BR 1050 and all Adressor models



Item	Ref. No.	Qty	Description	Item	Ref. No.	Qty	Description
A1	56314667	1	Controller	M8	56407431	1	Motor, 36VDC, .75HP (All Cylindrical)
BT1	N/A		Battery	*#	56417489	1	Armature (for 56407431) (Advance only)
E1	56314665	1	Control Panel Assembly	*	56407490	1	Bearing (for 56407431)
*	56314713	1	Membrane Switch Assy TSBUS2006-932	*	56407492	1	Brush Cap Assy (for 56407431)
*	56396188	1	Switch, Key	*	56407493	4	Carbon Brush Assy (for 56407431)
*	56396189	1	Key, Spare	*	56407494	4	Brush Cover Cap (for 56407431)
E2	56316110	1	Control Assembly (Detergent Injection only) (TSBUS2006-922)	M8#	56314789	1	Motor Gearbox Assembly (35", 38" / BR 950S, 1050S Disk)
F1	56412089	1	Fuse, 150 Amp	*	56314785	1	Gearbox, Replacement
F2#	56387316	1	Circuit Breaker, 10 Amp (Control Circuit)	*	56314784	1	Motor, Replacement
F3#	56454429	1	Circuit Breaker, 70 Amp (Wheel Drive)	*	56314786	1	Kit, Carbon Brush
F4	N/A	1	Fuse, 1 Amp	M9	56469530	1	Motor, Side Broom (optional)
F5		1	Fuse, 5 Amp (Side Broom / optional)	M10#	56314789	1	Motor Gearbox Assembly (35", 38" / BR 950S, 1050S Disk)
H1	56412177	1	Horn / Backup Alarm	*	56314785	1	Gearbox, Replacement
H2	56409239	1	Headlight (optional)	*	56314784	1	Motor, Replacement
H3	56416433	1	Strobe Light (optional)	*	56314786	1	Kit, Carbon Brush
K1#	56395453	1	Contactora, Brush Motor	M11	56212014	1	Pump, Solution (Detergent Injection only)
K2#	56395455	1	Contactora, Vac Motor	M12	56314984	1	Pump, Detergent (Detergent Injection only)
K3#	56395453	1	Contactora, Wheel Drive	R1	56454740	1	Potentiometer, 5K
L1	56397215	1	Solenoid Valve	S1	56396188	1	Switch, Key
M1	56393303	1	Lift Actuator, Brush	*	56396189	1	Key, Spare
*	56388520	1	Plastic Nut	S2#	7-82-00050	1	Switch, Seat
M2	56397230	1	Lift Actuator, Squeegee	S3	N/A	1	Switch, Pump (part of M4)
M3	56314635	1	Motor / Drive Wheel Assy	S4	N/A	1	Switch, Headlight (part of H2)
*	56412325	1	Carbon Brush Kit	S5	56372088	1	Switch, Side Broom (optional)
M4	56212014	1	Motor, Pump (optional)	S6	N/A	1	Switch, Pump (part of M11)
M5	56397228	1	Motor, Vac 36VDC (Advance only)				
	56410065	1	Motor, Vac 36VDC (Nilfisk only)				
*	56212223	1	Carbon Brush Set				
M6	56397228	1	Motor, Vac 36VDC (optional / Advance only)				
	56410065	1	Motor, Vac 36VDC (optional / Nilfisk only)				
*	56212223	1	Carbon Brush Set				
M7	56314141	1	Motor Gearbox Assy (28" / Disk)				
#	56314335	1	Motor Gearbox Assy (32", BR 850S / Disk)				
*	56314359	2	Key, 6mm Square				
*	56314499	2	Cover, Gearbox				
*	56314560	2	Gearbox				
*	56314580	1	Bearing (Fan End)				
*#	56412323	1	Bearing (Brush End)				
*	56314582	1	Brush Ring				
*	56314583	4	Carbon Brush				
*#	56314584	1	Safety Hook (Advance only)				
M7	56407431	1	Motor, 36VDC, .75HP (All Cylindrical)				
*#	56417489	1	Armature (for 56407431) (Advance only)				
*	56407490	1	Bearing (for 56407431)				
*	56407492	1	Brush Cap Assy (for 56407431)				
*	56407493	4	Carbon Brush Assy (for 56407431)				
*	56407494	4	Brush Cover Cap (for 56407431)				
M7#	56314789	1	Motor Gearbox Assembly (35", 38" / BR 950S, 1050S Disk)				
*	56314785	1	Gearbox, Replacement				
*	56314784	1	Motor, Replacement				
*	56314786	1	Kit, Carbon Brush				

* = Not Shown
 ** = Optional
 # = Revised or new since last update

Wiring diagram for Machines built after this Serial Number Chart

1863250 – BR 850
 1863255 – BR 950
 1863260 – BR 1050 and all Adressor models

We provide brushes and pad holders that will give you the best possible performance between machine and floor. Following are descriptions of the materials and their applications.

- Union Mix:** Medium grade natural fibers for polishing finished floors with standard-speed equipment. Recommended for use in place of white pads.
- ProLite:** Bristles are made from light-duty polypropylene for general scrubbing when you do not want to scratch or remove finish from the floor. Recommended for use in place of red pads.
- Prolene:** Polypropylene material for medium-duty scrubbing on concrete, terrazzo and vinyl floor tile. Recommended for use in place of green or blue pads.
- Magna Grit:** For extreme heavy-duty scrubbing or stripping of floors. This brush has extra large diameter silicon carbide grit impregnated synthetic bristles. Recommended for use in place of black pads.
- Dyna Grit:** For aggressive, heavy-duty scrubbing or stripping of floors. Recommended for use in place of brown pads.
- MidLite Grit:** For general purpose scrubbing of sealed or unsealed concrete, stone, terrazzo, quarry tile and other resilient hard floor surfaces. Recommended for use in place of green or blue pads.
- MidGrit:** For general purpose scrubbing when you need a lighter action for sealed or unsealed concrete, stone, terrazzo, quarry tile and other resilient hard floor surfaces. Recommended for use in place of green or blue pads.
- AgLite Grit:** For light scrubbing when used wet; buffing or polishing when used dry on urethane coated, sealed concrete or other resilient hard surface floors. Recommended for use in place of red or white pads.
- Short Trim Pad Holder:** Made with a structural foam block and center ring for correct pad centering. It has a "shower feed" design for getting solution to the floor.

28" BRUSHES	32"/BR 850S BRUSHES	35"/BR 950S BRUSHES	38"/BR 1050S BRUSHES
56505800 - Short Trim Pad Holder	56505830 - Short Trim Pad Holder	56505750 - Short Trim Pad Holder	56505760 - Short Trim Pad Holder
56505195 - Pad Retainer for 56505800	56505195 - Pad Retainer for 56505830	56505195 - Pad Retainer for 56505750	56505195 - Pad Retainer for 56505760
56505801 - Magna Grit	56505831 - Magna Grit	56505751 - Magna Grit	56505761 - Magna Grit
56505802 - Dyna Grit	56505832 - Dyna Grit	56505752 - Dyna Grit	56505762 - Dyna Grit
56505803 - AgLite Grit	56505833 - AgLite Grit	56505753 - AgLite Grit	56505763 - AgLite Grit
56505804 - Prolene	56505834 - Prolene	56505754 - Prolene	56505764 - Prolene
56505805 - Prolite	56505835 - Prolite	56505755 - Prolite	56505765 - Prolite
56505806 - Union Mix	56505836 - Union Mix	56505756 - Union Mix	56505766 - Union Mix
56505807 - MidGrit	56505837 - MidGrit	56505757 - MidGrit	56505767 - MidGrit
56505808 - MidLite Grit	56505838 - MidLite Grit	56505758 - MidLite Grit	56505768 - MidLite Grit

DISC BRUSH APPLICATION GUIDE (SUGGESTION ONLY)

Application	46 Grit	80 Grit	180 Grit	240 Grit	500 Grit	Prolene	Prolite	Union Mix
Stripping:								
Concrete	X	X						
Terrazzo	X	X						
Ceramic/Quarry tile		X						
Vinyl tile		X						
General Scrubbing:								
Concrete	X	X	X	X		X		
Terrazzo			X	X	X	X		
Ceramic/Quarry tile			X	X	X	X		
Marble					X		X	
Vinyl tile			X		X	X		
Raised-rubber tile					X		X	
Polishing:								
Raised Disc Tile								X
Marble								X
Vinyl tile								X

04-3	BRUSH SELECTOR GUIDE-CYLINDRICAL		
08-3	Adgressor™ / BR 850S, 950S, 1050S		49

We provide brushes and pad holders that will give you the best possible performance between machine and floor. Following are descriptions of the materials and their applications.

- 46 Grit Brush:** Most aggressive grit brush. Used primarily to clean heavy buildup on concrete floors in factories, or for heavy stripping of finish.
- 80 Grit Brush:** Medium aggressive grit brush. Good all-around brush for medium to heavy buildup removal. Can also be used for general stripping operations.
- 180 Grit Brush:** Least aggressive grit brush. Used for daily cleaning of hard-finished floors.
- Polypropylene Brush:** Standard equipment brush. Low cost, yet effective in cleaning many common floor surfaces.
- Stiff Nylon Brush:** Cleaning action similar to polypropylene. More durable and wear-resistant than polypropylene.
- Soft Nylon Brush:** Least aggressive brush available. Used on soft-finish floors where a more aggressive brush would leave scratch marks, or in applications requiring very light cleaning.

28" BRUSHES	32"/BR 850S BRUSHES	35"/BR 950S BRUSHES	38"/BR 1050S BRUSHES
56412191 - Soft Nylon	56407473 - Soft Nylon	56314778 - Soft Nylon	56410294 - Soft Nylon
56412192 - Hard Nylon	56407474 - Hard Nylon	56314779 - Hard Nylon	56410295 - Hard Nylon
56412046 - Prolene	56407475 - Prolene	56314780 - Prolene	56410293 - Prolene
56412193 - 180 Grit	56407476 - 180 Grit	56314781 - 180 Grit	56410296 - 180 Grit
56412194 - 80 Grit	56407477 - 80 Grit	56314782 - 80 Grit	56410297 - 80 Grit
56412195 - 46 Grit	56407478 - 46 Grit	56314783 - 46 Grit	56410298 - 46 Grit

CYLINDRICAL BRUSH APPLICATION GUIDE (SUGGESTION ONLY)

Application	46 Grit	80 Grit	180 Grit	Polypropylene	Stiff Nylon	Soft Nylon
Stripping:						
Concrete	X	X				
Terrazzo	X	X				
Ceramic/Quarry tile		X				
Vinyl tile		X				
General Scrubbing:						
Concrete	X	X	X	X	X	
Terrazzo			X	X	X	X
Ceramic/Quarry tile			X	X	X	X
Marble			X		X	X
Vinyl tile			X	X	X	X
Raised-rubber tile			X			X

