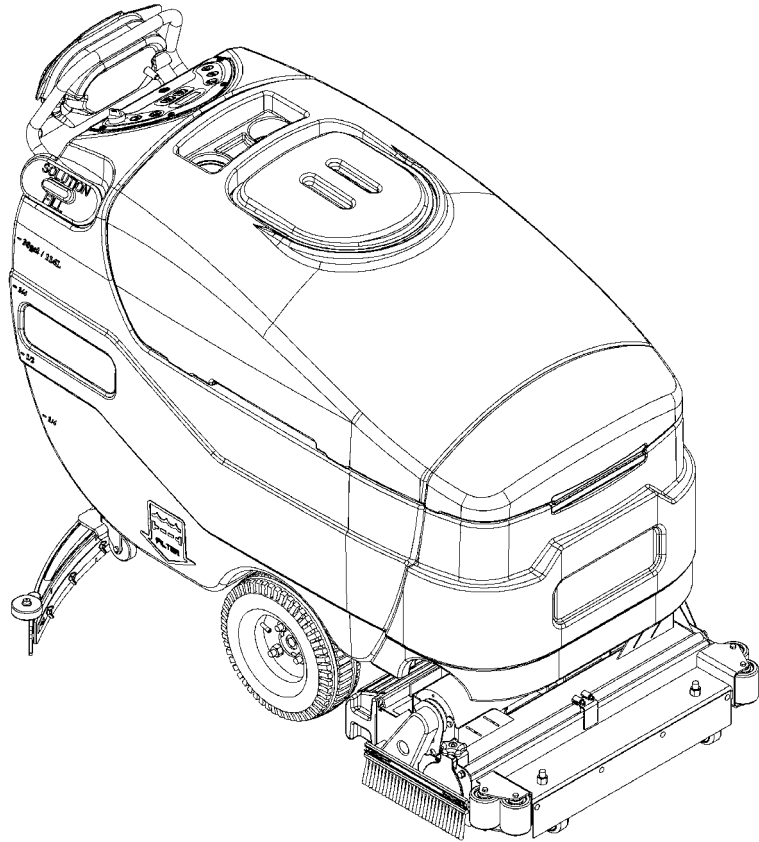


Adhancer™

BA 855 TRIO EDS™



PARTS LIST

Advance Models: 56316000(W28-C), 56316001(W32-C)

Nilfisk Models: 56316014(BA 855 TRIO EDS™)



**Nilfisk
Advance**

setting standards

3/06 revised 4/08 FORM NO. 56042469

DESCRIPTION	PAGE
Chassis System	2-3
Chassis System (Squeegee Linkage Assembly)	4-5
Decal System	6-7
Recovery System	8-9
Scrub System	10-11
Solution / Electrical System-1	12-13
Solution / Electrical System-2	14-15
Chemical Assembly	16-17
Paddle Assembly	18-19
Squeegee Assembly	20-21
Wiring Diagram	22-23
Optional Kits & Accessories	24

WHEN ORDERING PARTS

- * Use the 8 digit numbers from the "Ref. No." columns in this parts list.
- * Specify the model and serial number of the machine.
- * Use the space below to record the model and serial number for future reference.

Model _____ Serial No. _____

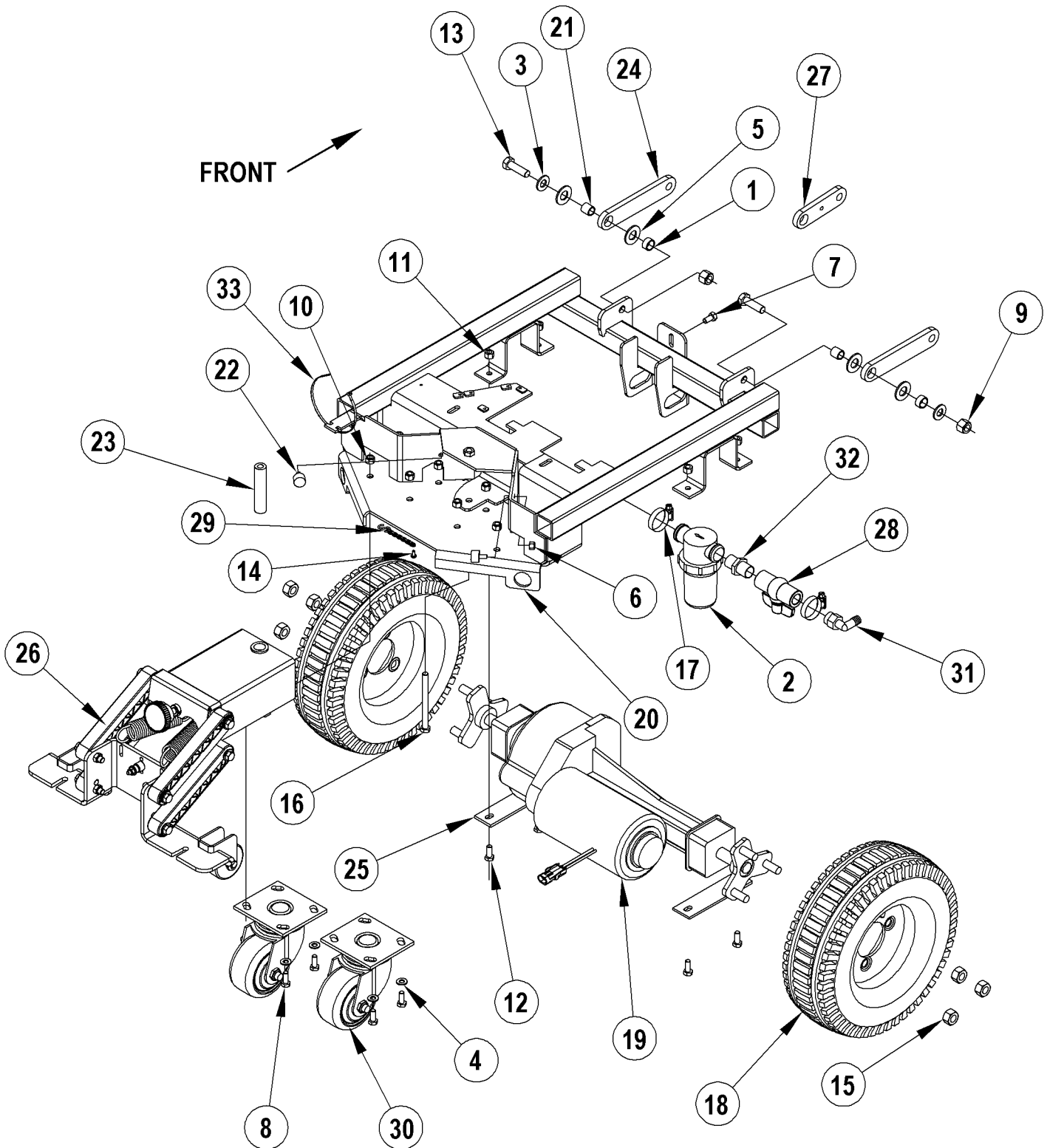
CHASSIS SYSTEM

06-3

2

Adhancer™ / BA 855 TRIO EDS™

06-11



06-3	CHASSIS SYSTEM			
08-4	Adhancer™ / BA 855 TRIO EDS™			3

Item	Ref. No.	Qty	Description
1	56370878	2	Bearing, Sleeve
2	56412173	1	Solution Filter
3	56001879	2	Wsh, Flt SAE 1/2
4	56001939	10	Wsh, Flt SAE 5/16
5	56002022	4	Wsh, Flt SAE 5/8
6	56002708	2	Nut, Hex Nyl Loc 1/4-20
7#	56003012	3	Scr, Hex SS 5/16-18 X .75
8	56003179	8	Scr, Hex Thd To Hd M8-1.25 X 20mm
9	56003312	2	Nut, Hex Nyl Loc M12-1.75
10	56003389	8	Nut, Hex Nyl Loc M8-1.25
11	56003405	4	Nut, Hex Nyl Loc SS M8-1.25
12	56003435	4	Scr, Hex SS M8-1.25 X 20mm
13	56003637	2	Scr, Hex M12-1.75 X 40mm
14#	56009030	1	Scr, Pan Phil Thd Form 10-24 X .38
15	56009116	6	Nut, Hex Hvy 1/2-20
16	56009241	1	Scr, Hex 3/8-16 X 4.25
17	56131601	2	Clamp, Hose SAE #16
18	56315118	2	Wheel, Drive TSBUS2006-949
	9096219000	2	Wheel, Polyurethane-Traction (optional)
19	56315063	1	Transaxle, 36v (M1)
*	56315676	1	Motor
*	56315677	4	Carbon Brush
*	56315678	2	Neoprene Mounting Sleeve
20	56315073	1	Weldment, Chassis
21	56315080	2	Bushing
22	56315111	2	Cylindrical Mount
23	56315154	1	Bushing, Spacer
24	56315179	2	Linkage Arm
25	56315202	2	Plate, Transaxle Mount
26	56315210	1	Assembly, Squeegee Linkage Large
27	56315239	1	Linkage Arm,
28	56315607	1	Ball Valve
29	56315691	1	Ground Chain
30	56365555	2	Caster Swivel 4.0x2.0
31	56409152	1	Barb, 90 Elbow 1/2 X 1/2npt
32	56412182	1	Nipple, Hex 3/4-14
33	56478523	1	Tie, Cable

* = Not Shown

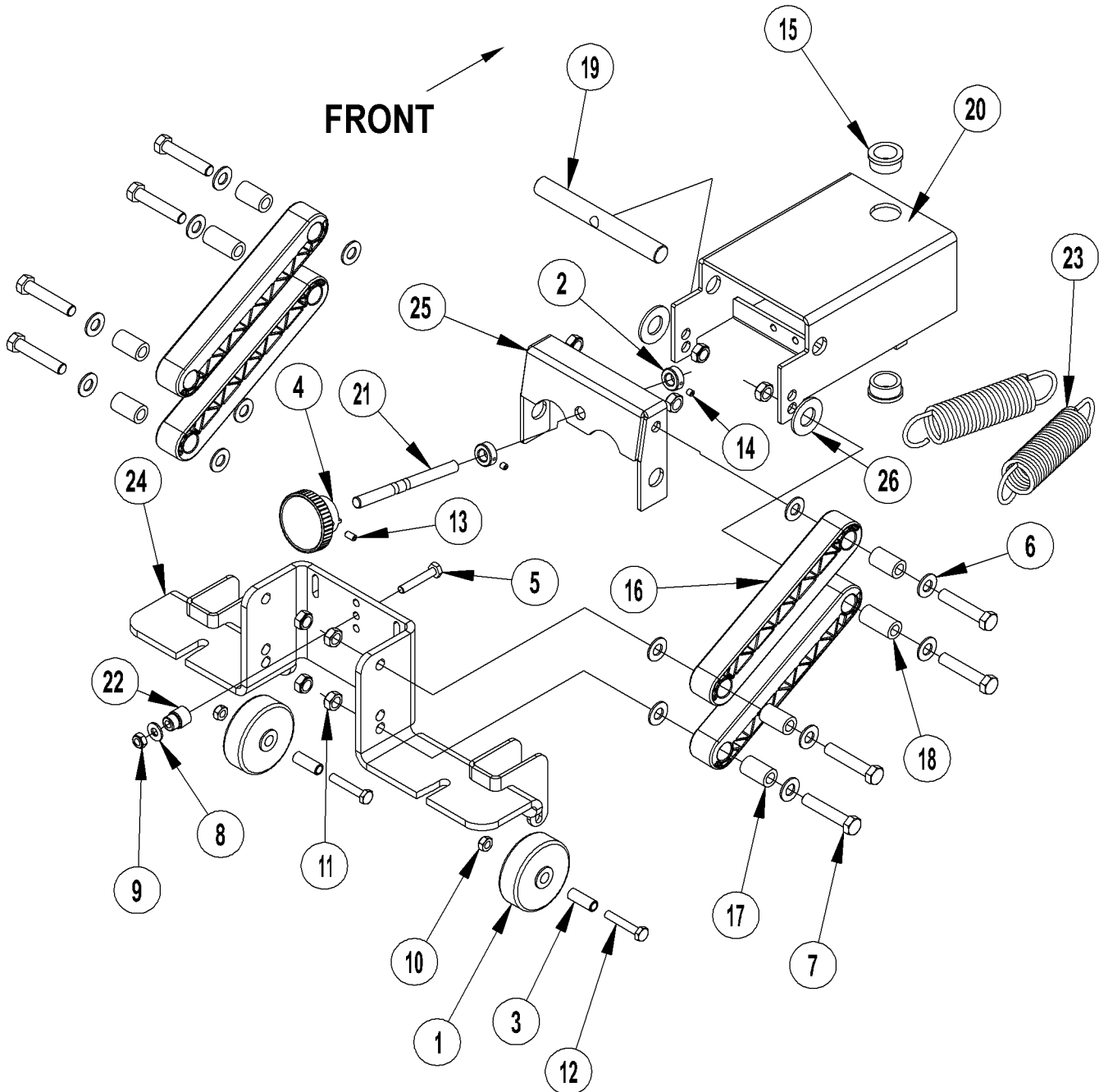
= Revised or new since last update

SQUEEGEE LINKAGE ASSEMBLY

06-3

4

Adhancer™ / BA 855 TRIO EDS™



06-3

SQUEEGEE LINKAGE ASSEMBLY

08-4

Adhancer™ / BA 855 TRIO EDS™**5**

Item	Ref. No.	Qty	Description
	56315210	1	Squeegee Linkage Assembly
1	56324350	2	Wheel
2	56331076	2	Collar
3	56315580	2	Bushing, Stainless
4	56475480	1	Knob
5	56001833	1	Scr, Hex 1/4-20 x 1.50
6	56002063	14	Wsh, Flt SAE 3/8
7	56002091	8	Scr, Hex 3/8-16 x 2.00
8	56002098	1	Wsh, Flt SAE 1/4
9	56002840	1	Nut, Hex Nyl Loc-Thin 1/4-20
10	56002850	2	Nut, Hex Nyl Loc-Thin SS 1/4-20
11	56002852	8	Nut, Hex Nyl Loc-Thin SS 3/8-16
12	56002901	2	Scr, Hex SS 1/4-20 x 1.50
13	56003123	1	Scr, Soc Set 10-2 4 x .38
14	56009084	2	Scr, Soc Set Loc 10-24 x .19
15	56250414	2	Bearing, Flange
16#	56315941	4	Linkage Arm, Molded
17	56315067	6	Spacer, Phenolic
18	56315068	2	Spacer, Phenolic
19	56315082	1	Pin
20	56315208	1	Weldment, Squeegee Large
21	56315240	1	Rod, Adjustment
22	56315245	1	Bushing, Squeegee Cable
23	56315295	2	Spring, Extension
24	56315698	1	Weldment, Squeegee Mount
25	56315713	1	Bracket, Squeegee Level
26	56002940	2	Wsh, Flt SAE SS 5/8

= Revised or new since last update

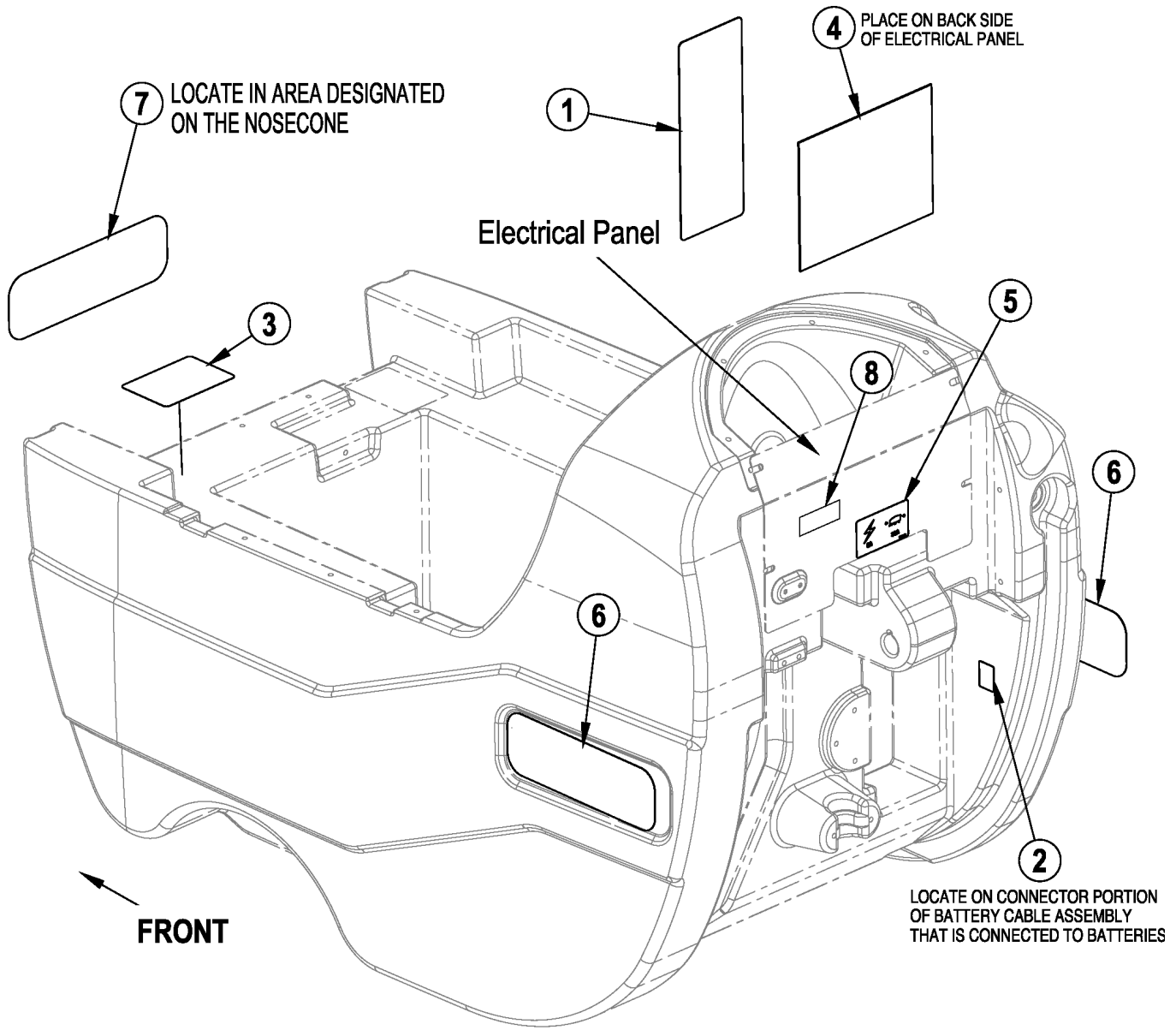
DECAL SYSTEM

06-3

6

Advancer™ / BA 855 TRIO EDS™

08-4



06-3	DECAL SYSTEM		
08-4	Adhancer™ / BA 855 TRIO EDS™		7

Item	Ref. No.	Qty	Description
1	56014601	1	Decal, Caution
2	56016324	1	Decal, Charger
3	56015259	1	Decal, Battery Wiring
4	56016748	1	Decal, Ladder Diagram
5	56016690	1	Decal, Circuit Breaker
6#	56016446	2	Decal, Adhancer (Advance only)
#	56015299	2	Decal, BA 855 TRIO EDS (Nilfisk only)
7#	56016730	1	Decal, Advance (Advance only)
#	56016731	1	Decal, Nilfisk (Nilfisk only)
8#	56014450	1	Decal, Patent Number

= Revised or new since last update

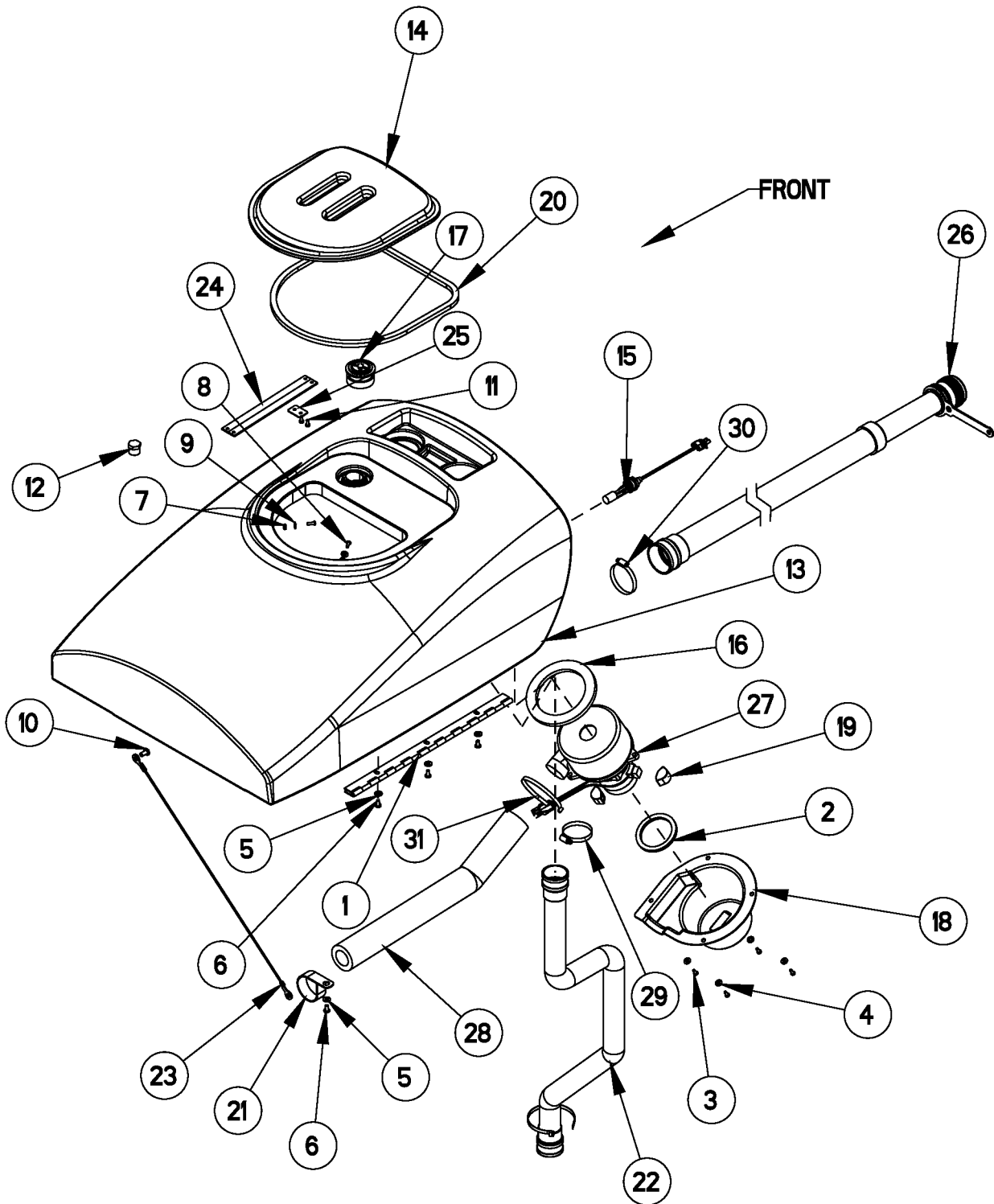
RECOVERY SYSTEM

06-3

8

Adhancer™ / BA 855 TRIO EDS™

08-4



06-3	RECOVERY SYSTEM		
08-4	Adhancer™ / BA 855 TRIO EDS™		9

Item	Ref. No.	Qty	Description
1	56315694	1	Hinge
2	56412154	1	Gasket, Vacuum Duct
3	56001993	4	Scr, Pan Phil 10-24 X .50
4	56002053	4	Wsh, Flt STD #10
5	56002098	4	Wsh, Flt SAE 1/4
6	56002145	4	Scr, Pan Phil 1/4-20 X .50
7	56002849	2	Nut, Hex Nyl Loc-Thin Ss 10-24
8	56002896	2	Scr, Pan Phil SS 10-24 X .62
9	56002919	2	Wsh, Flt STD SS #10
10	56003003	1	Scr, Pan Phil 5/16-18 X .62
11	56009005	2	Scr, Pan Phil SS Type B 10-16 X .75
12#	56305464	1	Plug, 3/4 Hex Pipe NOTE 1
13	56315406	1	Tank, Recovery TSBUS2006-938
14#	56315176	1	Cover, Recovery Tank
15	56315096	1	Switch, Electromagnetic
16	56315098	1	Gasket
17	56315099	1	Screen, Fan Inlet
18	56315102	1	Shroud, Vac Motor
19	56315141	3	Mount, Vibration
20	56315220	1	Gasket, Recovery Lid
21	56315257	1	Clamp, P
22	56315268	1	Vac Hose Assy.
23	56315272	1	Cable Assy
24	56315303	2	Retaining, Strap
25	56315346	1	Plate
26#	56601405	1	Drain Hose NOTE 2
*#	56601411	1	Drain Hose Cap Kit
*#	56601413	1	Drain Hose kit NOTE 2
27	56391208	1	Vac Motor Assy (M4)
*	56377001	1	Carbon Brush Set of 2
28	56315375	1	Foam, Acoustical
**	56315597	1	Sound Reduction Kit
29	56440213	1	Clamp, Hose SAE #32
30	56456797	1	Clamp, Hose SAE #36
31	56477613	2	Tie, Cable

* = Not Shown
** = Optional (Not Included)
= Revised or new since last update

NOTE 1: Not used after March 2008.
NOTE 2: Drain Hose 56315638 has been replaced by Drain Hose 56601405 in production. When replacing 56315638 you need to order Drain Hose Kit 56601413.

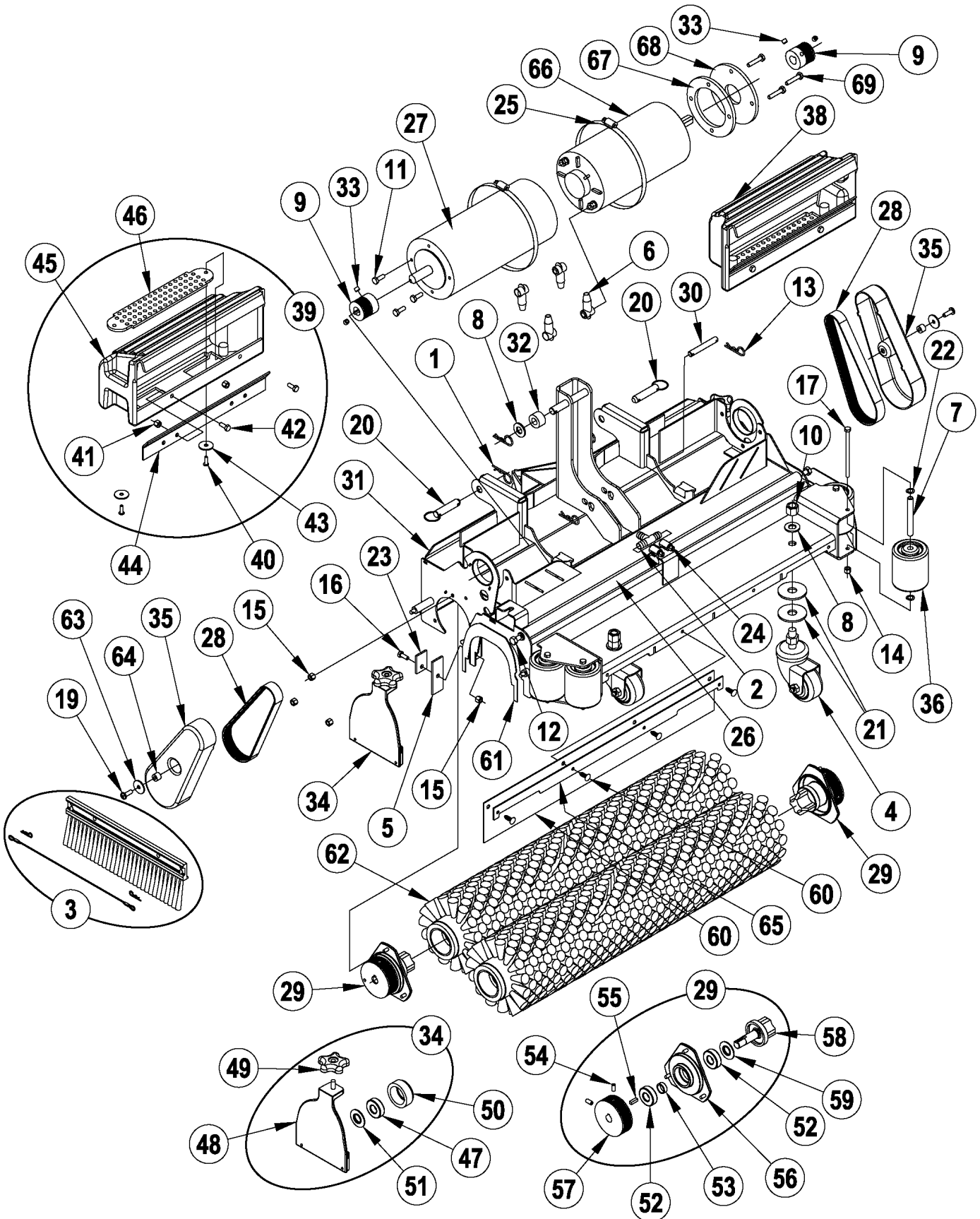
SCRUB SYSTEM

06-3

10

Adhancer™ / BA 855 TRIO EDS™

08-4

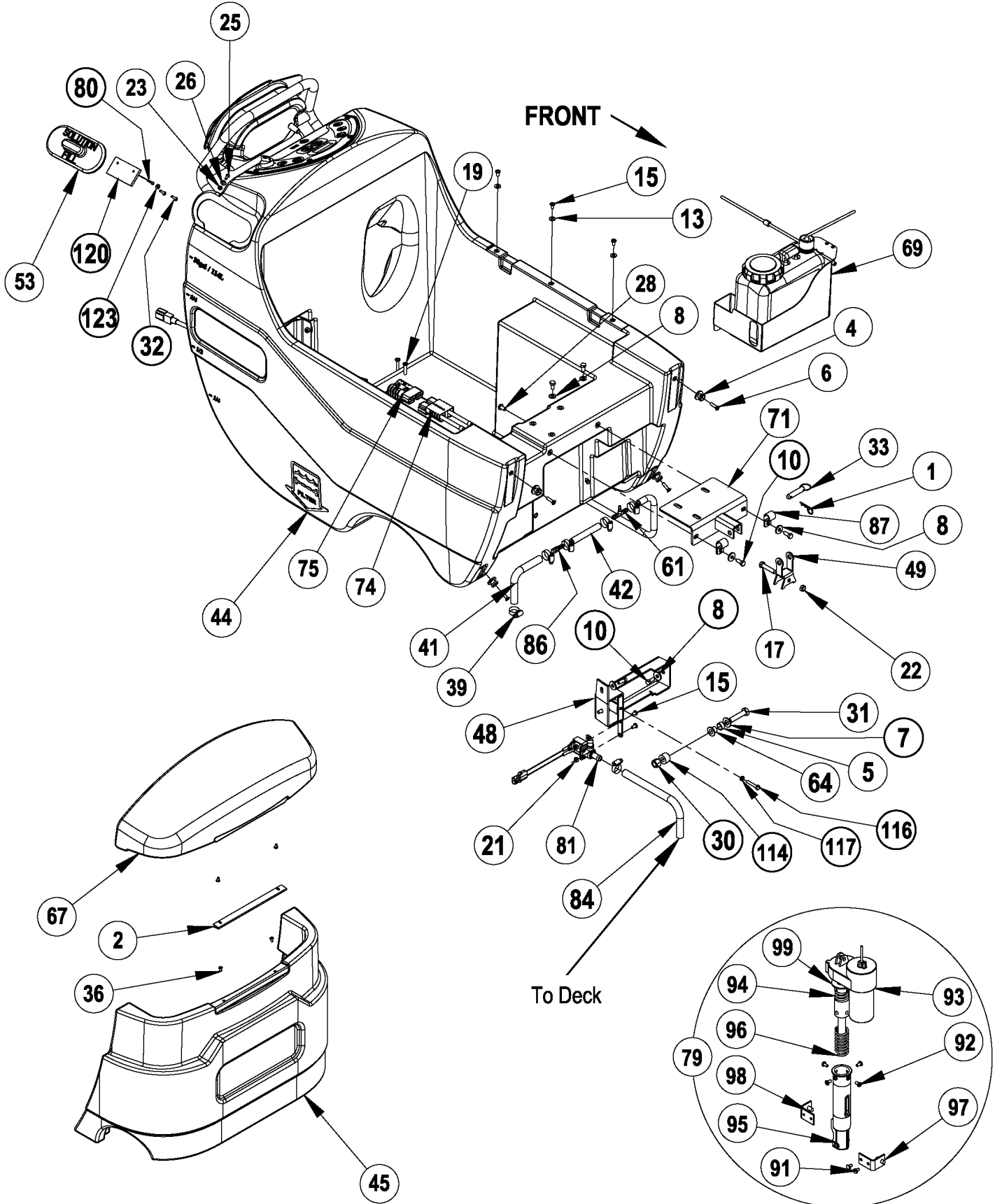


Item	Ref. No.	Qty	Description	Item	Ref. No.	Qty	Description
1	56002959	3	Pin, Cotter Hair	40	56002896	2	Scr, Pan Phil SS 10-24 x .62
2	56262549	1	Tee, Barb	41	56003426	2	Nut, Hex Nyl Loc SS M6-1
3	56316189	1	Side Skirt Kit NOTE 2	42	56003431	2	Scr, Hex Ss M6-1 x 16mm
4	56407344	3	Caster Wheel	43	56009060	2	Wsh, Flt SS .260 x 1.000 x .074
5	56407391	2	Blade	44	56316160	1	Hopper Bracket for 28"
6	56409538	4	Insulator, Terminal		56316161	1	Hopper Bracket for 32"
7	56412176	4	Bushing	45	56316163	1	Hopper, Right for 28"
8	56001879	3	Wsh, Flt SAE 1/2		56316165	1	Hopper, Right for 32"
9	56002086	4	Scr, Soc Set Loc 5/16-18 x .25		56316162	1	Hopper, Left for 28"
10	56002770	3	Nut, Hex Nyl Loc 1/2-13		56316164	1	Hopper, Left for 32"
11#	56002948	3	Scr,Hex Hd Loc 1/4-20 x .75 (qty of 6 after SN1979825)	46	56316166	1	Hopper Screen for 28"
12	56002992	2	Scr, Hex SS 5/16-18 x .50		56316167	1	Hopper Screen for 32"
13	56003120	2	Pin, Cotter Hair .0915 x .375	47	56106070	1	Bearing, Ball
14	56003403	4	Nut, Hex Nyl Loc M6-1	48	56316086	1	Idler Bearing Plate, Polished
15	56003426	8	Nut, Hex Nyl Loc SS M6-1	49	56396254	1	Knob
16	56003431	2	Scr, Hex SS M6-1 x 16mm	50	56316175	1	Hub
17	56003492	4	Scr, Hex M6-1 x 95mm	51	56407558	1	Washer, Bearing
18			Intentionally Omitted	52	56106070	2	Bearing, Ball
19	56009126	2	Scr, Pan Phil Thd Form 1/4-20 x .75	53	56407389	1	Spacer
20	56003679	2	Pin, Ring .50 x 1.63	54	56002119	2	Scr, Soc Set Loc 1/4-20 x .50
21	56003739	6	Wsh, Flt Nylon .625 x 2.000 x .125	55	56003237	1	Key, Sq .19 x .62
22	56009045	8	Wsh, Bowed .375 x .578 x .060	56	56315405	1	Bearing Plate
23	56410214	2	Strap	57	56316054	1	Sheave, Poly-V
24	56112771	2	Clamp, Hose SAE #10	58	56316072	1	Spindle, Stainless
25	56355488	2	Clamp, Hose SAE #96	59	56407558	1	Washer, Bearing
26	56315355	2	Manifold, PVC 28"	60	56316187	1	Splash Guard Kit (for 28" deck) NOTE 3
	56315647	2	Manifold, PVC 32"		56316188	1	Splash Guard Kit (for 32" deck) NOTE 3
27	56316052	1	Motor, 36 Vdc, 1.25 HP, 3000 RPM TSBUS2006-951	61	56316191	2	Gasket
*	56315320	1	Harness, Brush	62	56316050	2	Adhancer Brushes for 28" NOTE 1
28	56316053	2	Belt, Auto Tension		56316051	2	Adhancer Brushes for 32" NOTE 1
29	56316057	2	Drive End Assy (items 52-59)	63	56009060	2	Wsh, Flt SS .260 x 1.000 x .074
30	56316059	1	Pin	64	56391840	2	Bushing .31 x .50 x .40
31#	56316061	1	Housing, Weldment 28" NOTE 4	65	56316184	1	Retainer, Splash Guard (for 28" deck)
#	56316199	1	Housing, Weldment 28" NOTE 5		56316185	1	Retainer, Splash Guard (for 32" deck)
#	56316071	1	Housing, Weldment 32" NOTE 4	66	56315611	1	Motor, 36 Vdc, .75 HP, 1800 RPM TSBUS2006-951
#	56316200	1	Housing, Weldment 32" NOTE 5	*	56315320	1	Harness, Brush
32	56316063	1	Bushing	67	56316197	1	Plate, Motor Spacer TSBUS2006-951 NOTE 4
33	56316066	2	Sheave, Poly-V	68	56316201	1	Plate, Motor Spacer TSBUS2006-951 NOTE 4
34	56316087	2	Idler End Assy, Polished (items 47-51)	69	56001878	3	Scr, Hex 1/4-20 x 1.25 TSBUS2006-951 NOTE 4
35	56316088	2	Cover, Belt				
36	56316089	4	Wheel				
37			Intentionally Omitted				
38	56316168	1	Hopper Assy, Left for 28" (items 40-46)				
	56316170	1	Hopper Assy, Left for 32" (items 40-46)				
39	56316169	1	Hopper Assy, Right for 28" (items 40-46)				
	56316171	1	Hopper Assy, Right for 32" (items 40-46)				

* = Not Shown

= Revised or new since last update

NOTE 1: Cannot use any other brushes.**NOTE 2:** Side Skirt Kit includes; 2 bristle side skirts, 2 wire ropes and 4 cotter pins.**NOTE 3:** Splash Guard Kits include; Splash Guard and required number of Nylon Rivets.**NOTE 4:** Only used before SN1979826.**NOTE 5:** Only used after SN1979825.



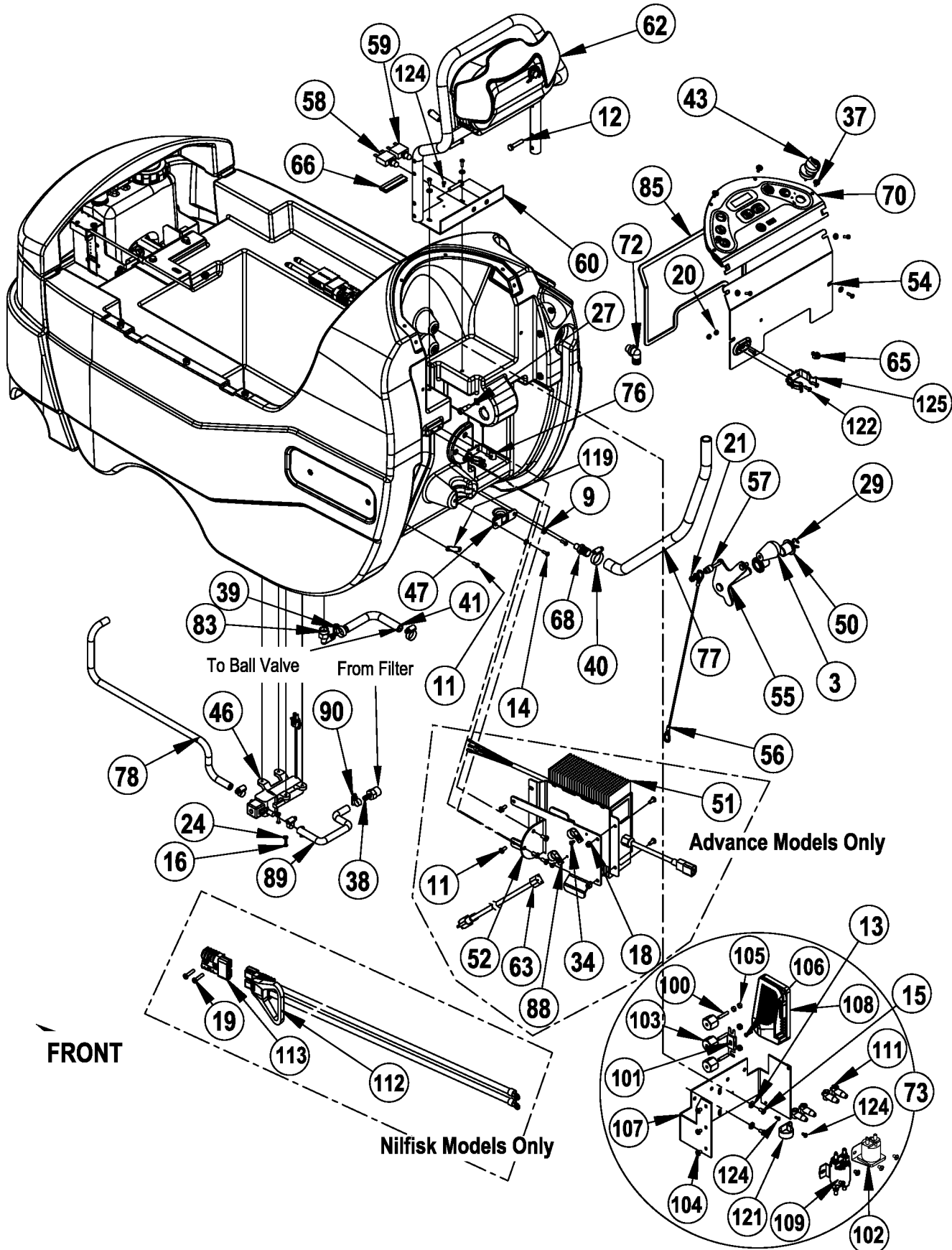
Item	Ref. No.	Qty	Description	Item	Ref. No.	Qty	Description
1	56002959	1	Pin, Cotter Hair	61	56315265	1	Tee, Barb
2	56302168	1	Hinge	62	56315266	1	Assembly, Paddle
3	56364527	1	Knob	63	56315270	1	Charger Cord, US (Advance only)
4	56365777	4	Lug, Brush Driver	64	56315380	1	Bushing
5	56370878	1	Bearing, Sleeve	65	56315382	1	Clip, Conduit
6	56001832	4	Scr, Flt Phil 1/4-20 X 1.00	66	56315532	1	Gasket
7	56001879	1	Wsh, Flt SAE 1/2	67	56315609	1	Cover, Chemical Tank
8	56009122	7	Wsh, Flt .344 X .938 X .125	68	56315634	1	Barb, Adaptor 3/4 X 1/2 Npt
9	56001954	11	Wsh, Flt SAE #10	69	56315645	1	Chemical Tank Assy
10	56002667	7	Scr, Hex 5/16-18 X .75	70	56316121	1	Control Panel Assy TSBUS2006-951
11	56002066	8	Scr, Pan Phil 1/4-20 X .62 (Advance only)	71	56315744	1	Weldment, Actuator Mount TSBUS2006-940
12	56002094	4	Scr, Hex 5/16-18 X 1.50	72	56315683	1	Barb, 90 Elbow 3/4 X 3/8npt
13	56002098	6	Wsh, Flt SAE 1/4	73	56315684	1	Assembly, Electrical Box (34, 100-111 & 121)
14	56002124	10	Scr, Pan Phil 10-24 X .62	74	56315686	1	Charge Connector Assy (Advance only / to batteries)
15	56002145	7	Scr, Pan Phil 1/4-20 X .50	75	56315687	2	Charge Connector Assy (Advance only / to electrical box)
16	56002146	3	Scr, Pan Phil 8-32 X .62	76	56331154	2	Clamp, Plastic
17	56002684	1	Scr, Hex 3/8-16 X 1.75	77	56379139	1	Hose, PVC
18	56002708	4	Nut, Hex Nyl Loc 1/4-20 (Advance only)	78	56391802	1	Hose, Spiral .375
19	56002825	2	Scr, Pan Phil 1/4-20 X 1.25	79	56396049	1	Lift Actuator Assembly (91-99)
20	56002832	2	Nut, Hex Nyl Loc-Thin 10-24	80	56410254	1	Wire Rope, 6 Inch
21	56002840	3	Nut, Hex Nyl Loc-Thin 1/4-20	81	56397215	1	Solenoid Valve Assy. 36v
22	56002841	1	Nut, Hex Nyl Loc-Thin 3/8-16	83	56409152	1	Barb, 90 Elbow 1/2 X 1/2npt
23	56002849	1	Nut, Hex Nyl Loc-Thin Ss 10-24	84	56409462	1	Hose, Spiral .500
25	56002896	1	Scr, Pan Phil SS 10-24 X .62	85	56412285	1	Gasket, Elect. Cover
26	56002919	1	Wsh, Flt Std Ss #10	86	56418669	1	Reducer, Barb
27	56002962	1	Scr, Soc Shd .38 X .62 X 5/16-18	87	56469380	2	Clamp, P
28	56003003	1	Scr, Pan Phil 5/16-18 X .62	88	56486112	2	Clamp, P
29	56003266	1	Ring, Ret Ext Type E 0.75 Dia.	89	56249682	1	Spiral, Hose X .375
30	56003312	1	Nut, Hex Nyl Loc M12-1.75	90	56756364	6	Clamp, Hose SAE #4
31	56003708	1	Scr, Hex M12-1.75 X 35mm	91	56009019	2	Scr, Hex Thd Form 1/4-20 X .38
32#	56009006	2	Scr, Pan Phil SS Type B 10-16 X 1.00	92	56009062	4	Scr, Pan Phil Thd Form 1/4-20 X .50
33	56003679	1	Pin, Ring .50 X 1.63	93	56393303	1	Actuator, Motor (M5)
34#	56009030	2	Scr, Pan Phil Thd Form 10-24 X .38 (Advance only)	*#	56388520	1	Plastic Nut
36	56009139	4	Scr, Pan Phil Loc 10-24 X .38	94	56412071	1	Compression Spring
37	56009206	4	Scr, Truss Phil-Blk 10-24x.50	95	56412262	1	Housing, Spring
38	56051207	1	Barb, Adapter 3/8 X 1/2 Npt	96	56420018	1	Compression Spring
39	56219932	5	Clamp, Hose SAE #6	97	56420019	1	Nut Retainer
40	56244969	1	Clamp, Hose SAE #12	98	56420020	1	Nut Retainer
41	56262180	2	Hose, Spiral .500	99	56396268	1	Spring Housing Guide
42	56302015	1	Hose, Spiral .375	100	56009203	3	Stud, 1/4-20
43	56303553	1	Key Switch Assy (S3)	101	56412089	1	Fuse, 150 Amp
*	56303526	A/R	Set of 2 Keys	102#	56395455	1	Contacto 36v (K2 / Vac Motor)
44	56315733	1	Tank, Solution TSBUS2006-940	103	56469858	3	Standoff, Insulated
45	56315087	1	Nose Cone	104	56002462	7	Scr, Pan Phil 1/4-20 X .38
46	56315108	1	Pump, Solution (M5)	105	56002561	4	Nut, Hex W/ Shprf 1/4-20
47	56315121	1	Guide, Cable	106	56003698	2	Scr, Pan Phil Thd Form 8-32 X .75
48	56315736	1	Pivot Weld't. TSBUS2006-940	107	56315629	1	Panel, Electrical
49	56315191	1	Yoke, Actuator	108	56315692	1	Controller, Speed
50	56315193	2	Bushing, Flange	109	56397250	1	Solenoid, Spdt 36v (K1 / Brush Motor)
51#	56315204	1	Charger, On-Board 36v (Advance only) NOTE #1 TSBUS2006-931 / TSBUS2007-979	110	56409538	4	Insulator, Terminal
*	56315747	1	Thermister Repair Kit for 56315204	111	56398000	1	Connector Assy (Nilfisk only / to batteries)
52	56315206	1	Bracket, Charger (Advance only)	112	56315687	1	Charge Connector Assy (Nilfisk only / to electrical box)
53	56315219	1	Cover, Solution Fill	113	56315479	1	Bushing
54	56315222	1	Panel, Electrical	114	56315479	1	Bushing
55	56315236	1	Weldment, Squeegee Lift	115			Intentionally Omitted
56	56315243	1	Cable Assy	116	56003709	1	Scr, Hex Thd to Hd 1/4-20 x 1.50
57	56315245	1	Bushing, Squeegee Cable	117	56009087	1	Nut, Hex Jam 1/4-20
58	56315255	1	Circuit Breaker, 5 Amp	118			Intentionally Omitted
59	56315256	1	Circuit Breaker, 30 Amp	119	56249884	1	Plate
60	56315259	1	Plate, Circuit Breaker	120	56315166	1	Plate
				121	56410166	1	Clamp, P
				122	56001993	2	Scr, Pan Phil 10-24 x .50
				123	56002916	2	Wsh, Flt SAE SS #10
				124	56009030	3	Scr, Pan Phil Thd Form 10-24 X .38
				125#	56396199	1	Clamp, Plastic

* = Not Shown

= Revised or new since last update

NOTE #1: Starting with Charger serial # CP360614027995 the charger software can be programmed with a computer and the QuiQ Programmer kit 56315732.

FORM NO. 56042469



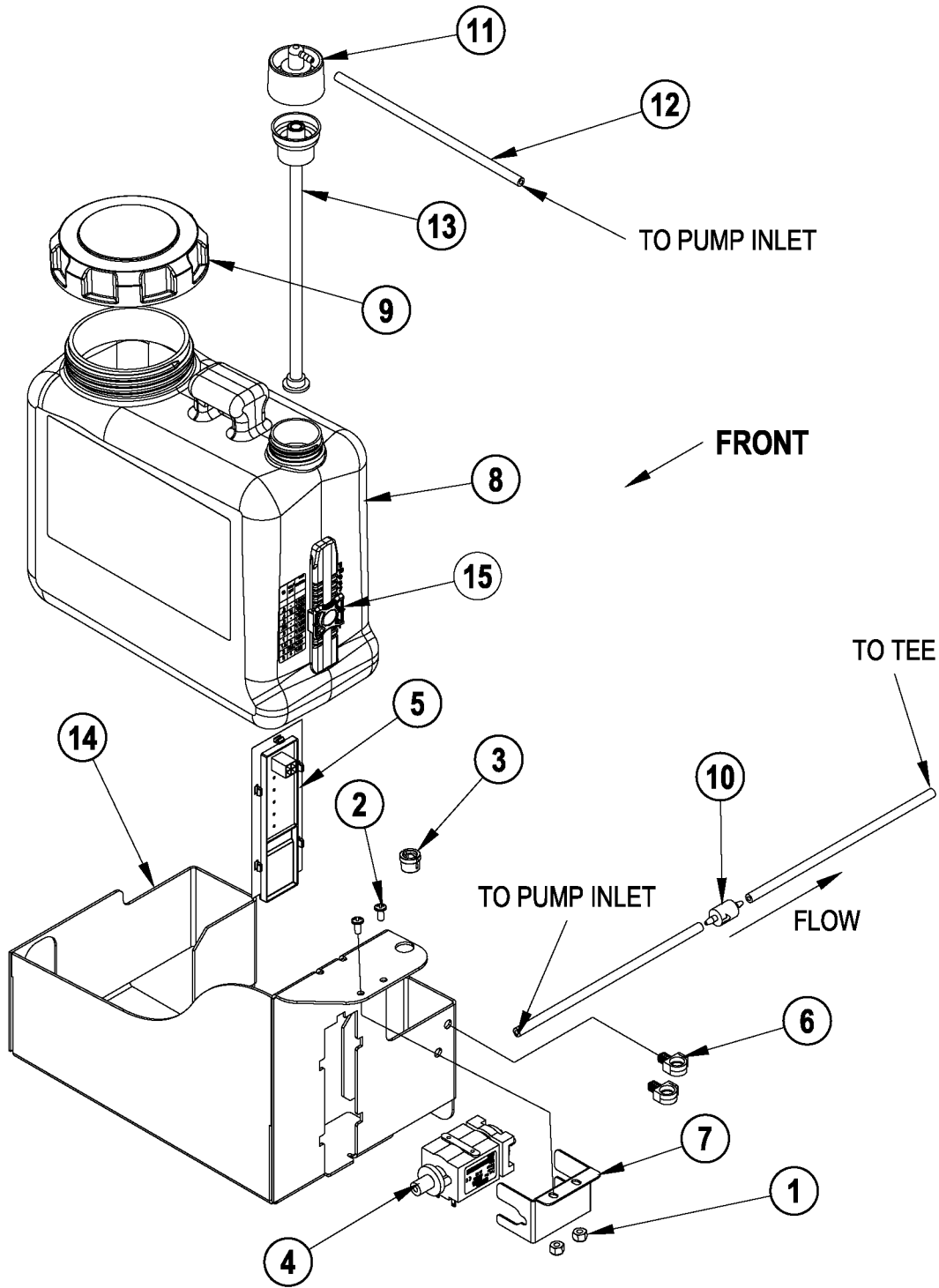
Item	Ref. No.	Qty	Description	Item	Ref. No.	Qty	Description
1	56002959	1	Pin, Cotter Hair	61	56315265	1	Tee, Barb
2	56302168	1	Hinge	62	56315266	1	Assembly, Paddle
3	56364527	1	Knob	63	56315270	1	Charger Cord, US (Advance only)
4	56365777	4	Lug, Brush Driver	64	56315380	1	Bushing
5	56370878	1	Bearing, Sleeve	65	56315382	1	Clip, Conduit
6	56001832	4	Scr, Flt Phil 1/4-20 X 1.00	66	56315532	1	Gasket
7	56001879	1	Wsh, Flt SAE 1/2	67	56315609	1	Cover, Chemical Tank
8	56009122	7	Wsh, Flt .344 X .938 X .125	68	56315634	1	Barb, Adaptor 3/4 X 1/2 Npt
9	56001954	11	Wsh, Flt SAE #10	69	56315645	1	Chemical Tank Assy
10	56002667	7	Scr, Hex 5/16-18 X .75	70	56316121	1	Control Panel Assy TSBUS2006-951
11	56002066	8	Scr, Pan Phil 1/4-20 X .62 (Advance only)	71	56315744	1	Weldment, Actuator Mount TSBUS2006-940
12	56002094	4	Scr, Hex 5/16-18 X 1.50	72	56315683	1	Barb, 90 Elbow 3/4 X 3/8npt
13	56002098	6	Wsh, Flt SAE 1/4	73	56315684	1	Assembly, Electrical Box (34, 100-111 & 121)
14	56002124	10	Scr, Pan Phil 10-24 X .62	74	56315686	1	Charge Connector Assy (Advance only / to batteries)
15	56002145	7	Scr, Pan Phil 1/4-20 X .50	75	56315687	2	Charge Connector Assy (Advance only / to electrical box)
16	56002146	3	Scr, Pan Phil 8-32 X .62	76	56331154	2	Clamp, Plastic
17	56002684	1	Scr, Hex 3/8-16 X 1.75	77	56379139	1	Hose, PVC
18	56002708	4	Nut, Hex Nyl Loc 1/4-20 (Advance only)	78	56391802	1	Hose, Spiral .375
19	56002825	2	Scr, Pan Phil 1/4-20 X 1.25	79	56396049	1	Lift Actuator Assembly (91-99)
20	56002832	2	Nut, Hex Nyl Loc-Thin 10-24	80	56410254	1	Wire Rope, 6 Inch
21	56002840	3	Nut, Hex Nyl Loc-Thin 1/4-20	81	56397215	1	Solenoid Valve Assy. 36v
22	56002841	1	Nut, Hex Nyl Loc-Thin 3/8-16	83	56409152	1	Barb, 90 Elbow 1/2 X 1/2npt
23	56002849	1	Nut, Hex Nyl Loc-Thin Ss 10-24	84	56409462	1	Hose, Spiral .500
25	56002896	1	Scr, Pan Phil SS 10-24 X .62	85	56412285	1	Gasket, Elect. Cover
26	56002919	1	Wsh, Flt Std Ss #10	86	56418669	1	Reducer, Barb
27	56002962	1	Scr, Soc Shd .38 X .62 X 5/16-18	87	56469380	2	Clamp, P
28	56003003	1	Scr, Pan Phil 5/16-18 X .62	88	56486112	2	Clamp, P
29	56003266	1	Ring, Ret Ext Type E 0.75 Dia.	89	56249682	1	Spiral, Hose X .375
30	56003312	1	Nut, Hex Nyl Loc M12-1.75	90	56756364	6	Clamp, Hose SAE #4
31	56003708	1	Scr, Hex M12-1.75 X 35mm	91	56009019	2	Scr, Hex Thd Form 1/4-20 X .38
32#	56009006	2	Scr, Pan Phil SS Type B 10-16 X 1.00	92	56009062	4	Scr, Pan Phil Thd Form 1/4-20 X .50
33	56003679	1	Pin, Ring .50 X 1.63	93	56393303	1	Actuator, Motor (M5)
34#	56009030	2	Scr, Pan Phil Thd Form 10-24 X .38 (Advance only)	*#	56388520	1	Plastic Nut
36	56009139	4	Scr, Pan Phil Loc 10-24 X .38	94	56412071	1	Compression Spring
37	56009206	4	Scr, Truss Phil-Blk 10-24x.50	95	56412262	1	Housing, Spring
38	56051207	1	Barb, Adapter 3/8 X 1/2 Npt	96	56420018	1	Compression Spring
39	56219932	5	Clamp, Hose SAE #6	97	56420019	1	Nut Retainer
40	56244969	1	Clamp, Hose SAE #12	98	56420020	1	Nut Retainer
41	56262180	2	Hose, Spiral .500	99	56396268	1	Spring Housing Guide
42	56302015	1	Hose, Spiral .375	100	56009203	3	Stud, 1/4-20
43	56303553	1	Key Switch Assy (S3)	101	56412089	1	Fuse, 150 Amp
*	56303526	A/R	Set of 2 Keys	102#	56395455	1	Contacto 36v (K2 / Vac Motor)
44	56315733	1	Tank, Solution TSBUS2006-940	103	56469858	3	Standoff, Insulated
45	56315087	1	Nose Cone	104	56002462	7	Scr, Pan Phil 1/4-20 X .38
46	56315108	1	Pump, Solution (M5)	105	56002561	4	Nut, Hex W/ Shprf 1/4-20
47	56315121	1	Guide, Cable	106	56003698	2	Scr, Pan Phil Thd Form 8-32 X .75
48	56315736	1	Pivot Weld't. TSBUS2006-940	107	56315629	1	Panel, Electrical
49	56315191	1	Yoke, Actuator	108	56315692	1	Controller, Speed
50	56315193	2	Bushing, Flange	109	56397250	1	Solenoid, Spdt 36v (K1 / Brush Motor)
51#	56315204	1	Charger, On-Board 36v (Advance only) NOTE #1 TSBUS2006-931 / TSBUS2007-979	110	56409538	4	Insulator, Terminal
*	56315747	1	Thermister Repair Kit for 56315204	111	56398000	1	Connector Assy (Nilfisk only / to batteries)
52	56315206	1	Bracket, Charger (Advance only)	112	56315687	1	Charge Connector Assy (Nilfisk only / to electrical box)
53	56315219	1	Cover, Solution Fill	113	56315479	1	Bushing
54	56315222	1	Panel, Electrical	114			Intentionally Omitted
55	56315236	1	Weldment, Squeegee Lift	115			Intentionally Omitted
56	56315243	1	Cable Assy	116	56003709	1	Scr, Hex Thd to Hd 1/4-20 x 1.50
57	56315245	1	Bushing, Squeegee Cable	117	56009087	1	Nut, Hex Jam 1/4-20
58	56315255	1	Circuit Breaker, 5 Amp	118			Intentionally Omitted
59	56315256	1	Circuit Breaker, 30 Amp	119	56249884	1	Plate
60	56315259	1	Plate, Circuit Breaker	120	56315166	1	Plate
				121	56410166	1	Clamp, P
				122	56001993	2	Scr, Pan Phil 10-24 x .50
				123	56002916	2	Wsh, Flt SAE SS #10
				124	56009030	3	Scr, Pan Phil Thd Form 10-24 X .38
				125#	56396199	1	Clamp, Plastic

* = Not Shown

= Revised or new since last update

NOTE #1: Starting with Charger serial # CP360614027995 the charger software can be programmed with a computer and the QuiQ Programmer kit 56315732.

FORM NO. 56042469



06-3

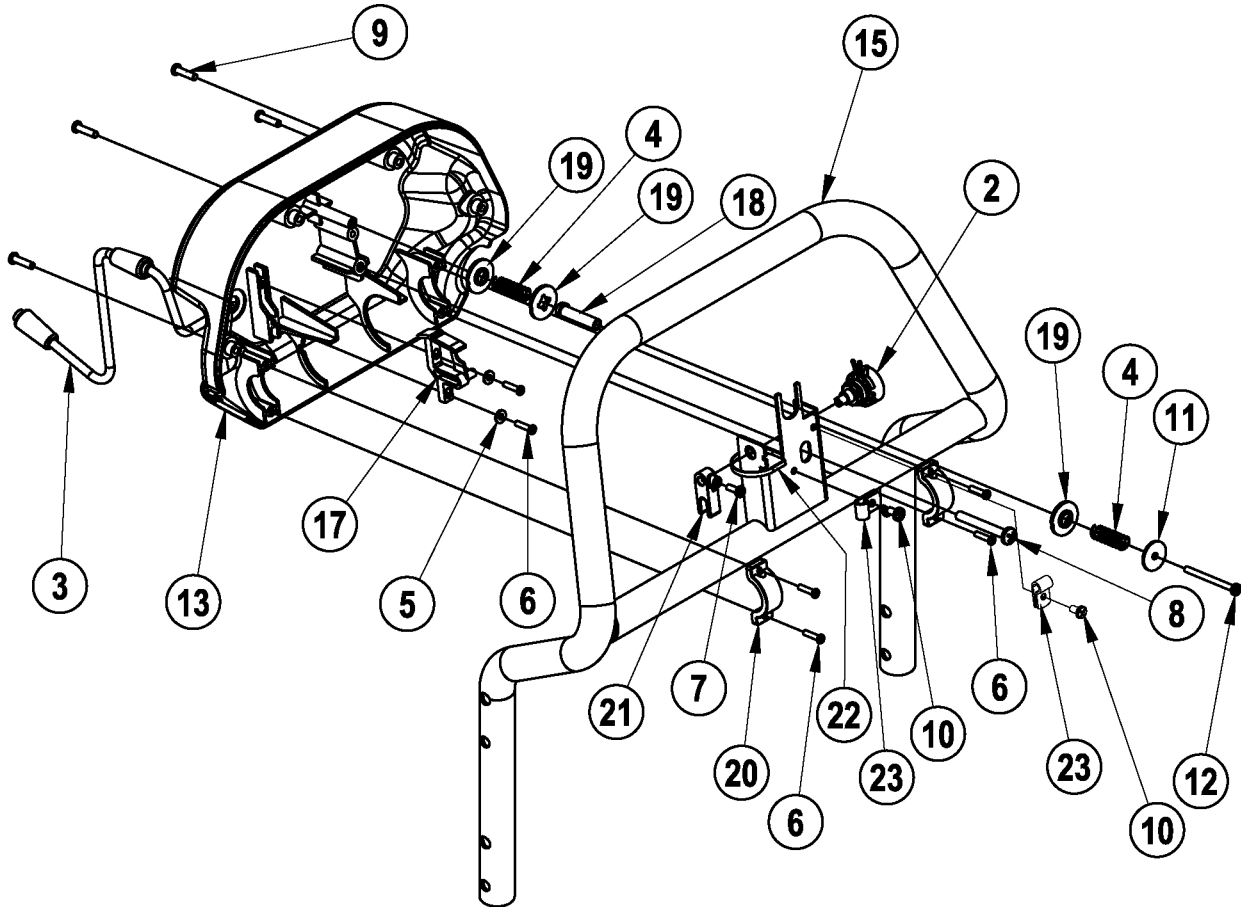
CHEMICAL ASSEMBLY (AXP / EDS)

08-4

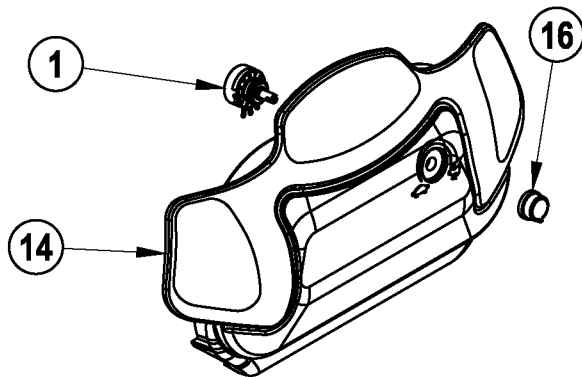
Adhancer™ / BA 855 TRIO EDS™**17**

Item	Ref. No.	Qty	Description
	56315645	1	Chemical Tank Assy
1	56002877	2	Nut, Hex Nyl Loc SS 8-32
2	56003018	2	Scr, Pan Phil SS 8-32 x .38
3	56003699	1	Bushing, 1/4 ID Snub
4	56315241	1	Pump, Chemical
5	56315340	1	Chemical Sensor Assy
6	56315382	2	Clip, Conduit
7	56315476	1	Bracket, Chemical Pump
8	56315502	1	Chemical Bottle As
**#	56316081	A/R	AXP 3-in-1 Adhancing Agent, 4 pack
**#	56315503	A/R	Chemical Bottle Assy (8, 9, 13)
9	56315517	1	Cap, Raw
10	56315522	1	Check Valve, 1/8 Barb, 125 PSI
11	56315523	1	Cap, Dry Break, 1/8 Barb, 90°
12	56315524	3	Hose, Chemical Resistant, 7"
13	56315527	1	Insert, Dry Break
14	56315644	1	Bracket, Tank Mounting
15	56315511	1	Indicator Assy

** = Optional, Not Included

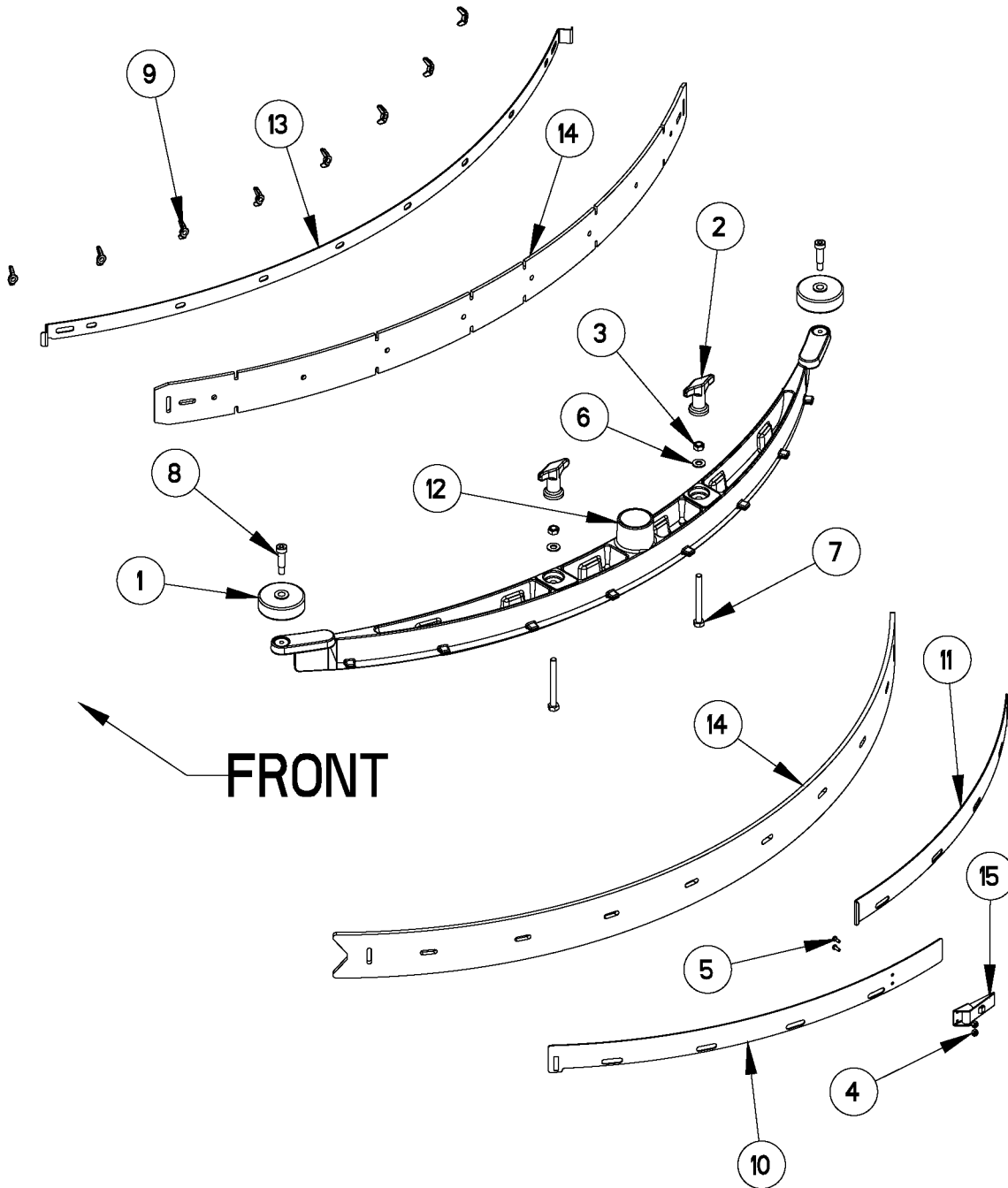


FRONT



PADDLE ASSEMBLY**Adhancer™ / BA 855 TRIO EDS™**

Item	Ref. No.	Qty	Description
	56315266	1	Assembly, Paddle
1	56396197	1	Potentiometer, 100k (R2)
2	56397029	1	Potentiometer, 5k (R1)
3	56315231	1	Harness, Handle
4	56325654	2	Spring, Compression
5	56002006	2	Wsh, Flt SAE #6
6	56003197	6	Scr, Pan Phil Plastite 6-18 x .62
7	56003354	1	Scr, Pan Phil M4 x 12
8	56003527	1	Scr, Pan Phil Plastite 1/4-10 x 2.00
9	56003545	4	Scr, Pan Phil Plastite 8-10 x .75
10	56009030	2	Scr, Pan Phil Thd Form 10-24 x .38
11	56009096	1	Wsh, Flt .193 x .875 x .060
12	56009287	1	Scr, Pan Phil Type B 8 x 2.00
13	56315229	1	Paddle, Back Cover
14	56315230	1	Paddle, Front Cover
15	56315251	1	Weldment, Handle Bar
16	56315280	1	Knob
17	56397015	1	Cam Controller
18	56397109	1	Sleeve
19	56397170	3	Washer, Plastic
20	56397171	2	Clamp
21	56397172	1	Potentiometer Fork
22	56478246	1	Tie, Cable
23	56481890	2	Clamp, P



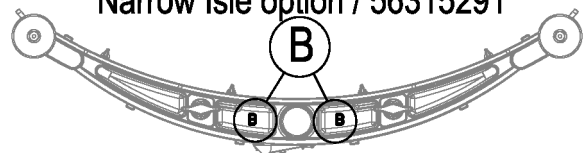
Item	Ref. No.	Qty	Description
	56315632	1	Squeegee Assembly "D"
#	56314290	1	Squeegee Assembly "C" (Narrow Isle Option)
#	56314291	1	Squeegee Assembly "B" (Narrow Isle Option)
1	56324350	2	Wheel
2	56370711	2	Nut, Thumb
3	56002851	2	Nut, Hex Nyl Loc-Thin SS 5/16-18
4	56002907	2	Nut, Hex Nyl Loc SS 6-32
5	56002909	2	Scr, Pan Phil SS 6-32 x .38
6	56002938	2	Wsh, Flt Sae SS 5/16
7	56003736	2	Scr, Hex Thd to Hd SS 5/16-18 x 3.00
8	56003472	2	Scr, Soc Shd .38 x 1.00 x 5/16-18
9	56009111	8	Nut, Wing SS 1/4-20
10	56314691	1	Strap, Left Rear "D" (used on 56315632)
#	56314323	1	Strap, Left Rear "C" (used on 56315290)
	56314026	1	Strap, Left Rear "B" (used on 56315291)
11	56314692	1	Strap, Right Rear "D" (used on 56315632)
#	56314324	1	Strap, Right Rear "C" (used on 56315290)
	56314027	1	Strap, Right Rear "B" (used on 56315291)
12	56314694	1	Squeegee Tool, Cast "D" (used on 56315632)
#	56314325	1	Squeegee Tool, Cast "C" (used on 56315290)
	56314271	1	Squeegee Tool, Cast "B" (used on 56315291)
13	56314696	1	Strap, Front "D" (used on 56315632)
#	56314322	1	Strap, Front "C" (used on 56315290)
	56314028	1	Strap, Front "B" (used on 56315291)
14	56315674	1	Kit, Gum Rubber Squeegee Blade "D" (used on 56315632) NOTE 1
#	56315348	1	Kit, Gum Rubber Squeegee Blade "C" (used on 56315290) NOTE 1
#	56315347	1	Kit, Gum Rubber Squeegee Blade "B" (used on 56315291) NOTE 1
15	56471194	1	Latch Assembly
			"D" Squeegee Blade Kits for 56315632
**	56315674	1	Kit, Gum Rubber Squeegee Blade "D" NOTE 1
**	56314865	1	Kit, Linatex Squeegee Blade "D" NOTE 1
**	56314843	1	Kit, Neoprene Squeegee Blade "D" NOTE 1
			"C" Squeegee Blade Kits for 56315290
**#	56315348	1	Kit, Gum Rubber Squeegee Blade "C" NOTE 1
**#	56315352	1	Kit, Linatex Squeegee Blade "C" NOTE 1
**#	56314062	1	Kit, Neoprene Squeegee Blade "C" NOTE 1
			"B" Squeegee Blade Kits for 56315291
**#	56315347	1	Kit, Gum Rubber Squeegee Blade "B" NOTE 1
**#	56314351	1	Kit, Linatex Squeegee Blade "B" NOTE 1
**	56314305	1	Kit, Neoprene Squeegee Blade "B" NOTE 1

** = Optional, Not Included

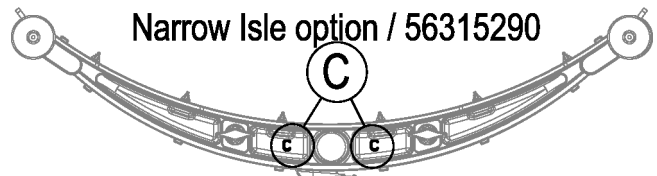
= Revised or new since last update

NOTE 1: All squeegee blade kits include both front and rear squeegee blades.

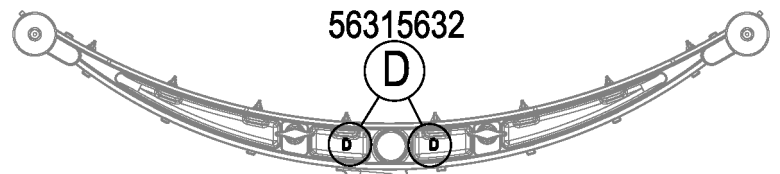
Narrow Isle option / 56315291

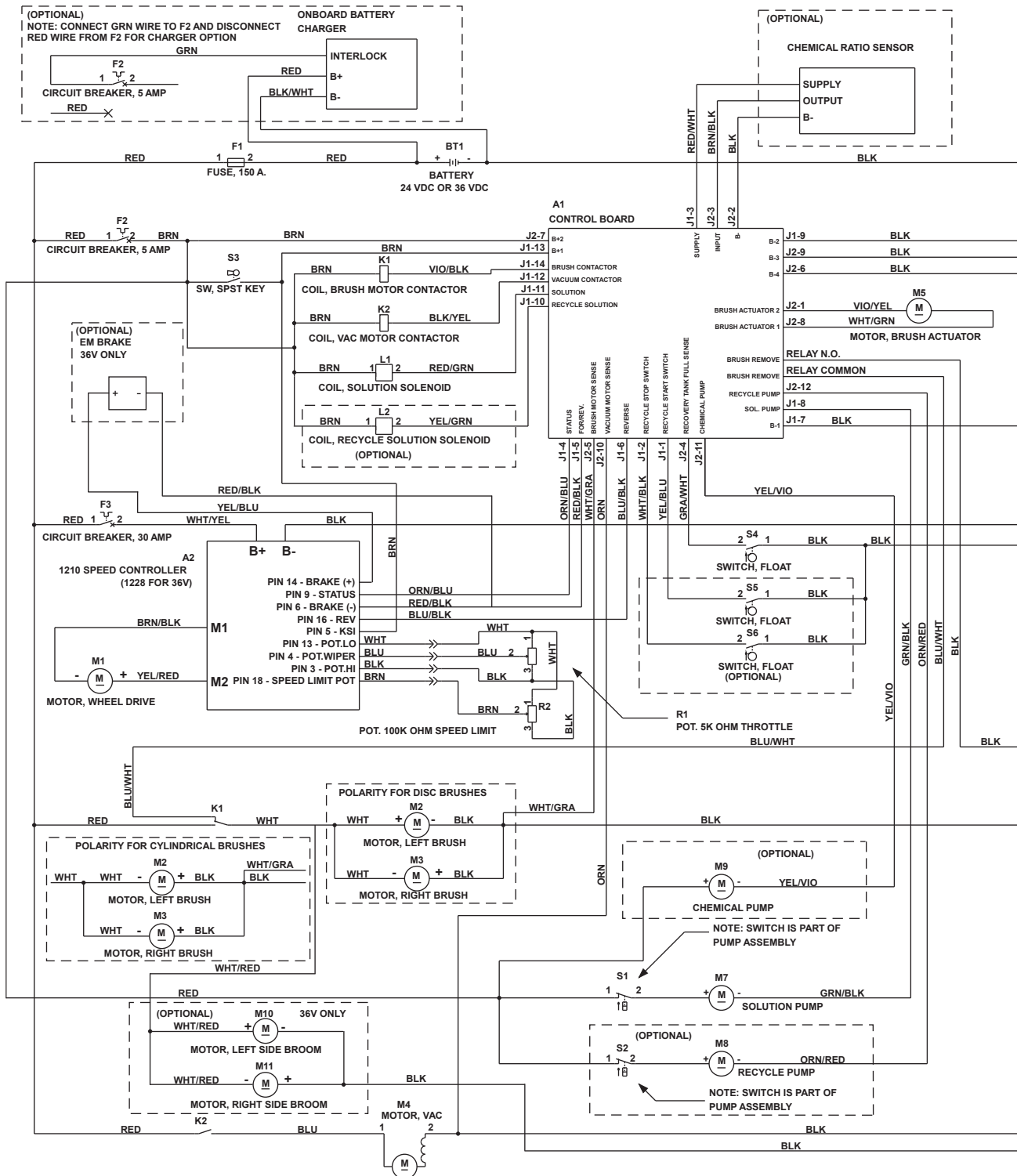


Narrow Isle option / 56315290



56315632





REFERENCE: WIRING DIAGRAM 56315302 FOR 24V
WIRING DIAGRAM 56316112 FOR 36V

56016748-REV. A

Item	Ref. No.	Qty	Description
A1	56316121	1	Control Panel Assy TSBUS2006-951
A2	56315692	1	Speed Control
BT1	NA	6	Battery
F1	56412089	1	Fuse, 150 Amp
F2	56315255	1	Circuit Breaker, 5 Amp
F3	56315256	1	Circuit Breaker, 30 Amp
K1	56397250	1	Contactora, Brush Motor
K2#	56395455	1	Contactora, Vac Motor (All Models)
L1	56397215	1	Solenoid, Solution
L2	56397215	1	Solenoid, Recycle Solution (Optional)
M1	56315063	1	Transaxle, 36V
*	56315676	1	Motor
*	56315677	4	Carbon Brush
*	56315678	2	Neoprene Mounting Sleeve
M2	56316052	1	Motor, Left Brush 36 VDC, 1.25 HP, 3000 RPM
*	56412287	1	Brush / Spring Kit
M3	56316052	1	Motor, Right Brush 36 VDC, 1.25 HP, 3000 RPM
*	56412287	1	Brush / Spring Kit
M4	56391208	1	Vac Motor Assy
*	56377001	1	Carbon Brush Set of 2
M5	56393303	1	Motor, Brush Actuator
*#	56388520	1	Plastic Nut
M7	56315108	1	Pump, Solution
M8	56315107	1	Pump, Recycle (Optional)
M9	56315241	1	Pump, Chemical (Optional)
R1	56397029	1	Potentiometer, 5K Ohm, Throttle
R2	56396197	1	Potentiometer, 100K Ohm, Speed Limit
S1	NA	1	Part of M7
S2	NA	1	Part of M8
S3	56303553	1	Switch, Key
*	56303526	A/R	Set of 2 Replacement Keys
S4	56315096	1	Switch, Float
S5	56315096	1	Switch, Float (Optional / Recycle Start)
S6	56315096	1	Switch, Float (Optional / Recycle Stop)
*#	56315204	1	Charger, Onboard 36V (Advance Onboard Charger Models Only) NOTE 1 / TSBUS2006-931 / TSBUS2007-979
*	56315340	1	Chemical Ratio Sensor (Chemical Models Only)
*	56316100	1	Harness, Main
*	56416445	3	Cable Assy 4 AWG (Battery Cables)
*	56456460	2	Cable Assy 4 x 12 (Battery Cables)
*	56372673	12	Boot, Battery Post
*	56478523	2	Tie, Cable
*	56478246	9	Tie, Cable
*	56314119	2	Spacer. Battery

* = Not Shown

= Revised or new since last update

NOTE 1: Starting with Charger serial # CP360614027995 the charger software can be programmed with a computer and the QuiQ Programmer kit 56315732.

OPTIONAL KIT & ACCESSORIES

06-3

24

Adhancer™ / BA 855 TRIO EDS™

08-4

Ref. No.	Qty	Description
Options		
**	56315312	A/R Squeegee Wand Kit
**	56315681	A/R Kit, Electromagnetic Brake
**	56315597	A/R Kit, Sound Reduction
**	56314981	A/R Battery Watering Kit
**#	56315732	A/R QuiQ Programmer Kit NOTE 3 / TSBUS2007-979
**	9096219000	2 Wheel, Polyurethane - Traction
**	56315669	A/R Kit, 28" Disk Deck Assy
**	56315670	A/R Kit, 32" Disk Deck Assy
**	56315671	A/R Kit, 28" Cyl Deck Assy
**	56315672	A/R Kit, 32" Cyl Deck Assy
"D" Squeegee Blade Kits for 56315632		
**	56315674	1 Kit, Gum Rubber Squeegee Blade "D" NOTE 1
**	56314865	1 Kit, Linatex Squeegee Blade "D" NOTE 1
**	56314843	1 Kit, Neoprene Squeegee Blade "D" NOTE 1
"C" Squeegee Blade Kits for 56315290		
**#	56315348	1 Kit, Gum Rubber Squeegee Blade "C" NOTE 1
**#	56315352	1 Kit, Linatex Squeegee Blade "C" NOTE 1
**#	56314062	1 Kit, Neoprene Squeegee Blade "C" NOTE 1
"B" Squeegee Blade Kits for 56315291		
**#	56315347	1 Kit, Gum Rubber Squeegee Blade "B" NOTE 1
**#	56314351	1 Kit, Linatex Squeegee Blade "B" NOTE 1
**	56314305	1 Kit, Neoprene Squeegee Blade "B" NOTE 1
Accessories		
**	56315316	A/R Tote Bag
**	56397453	6 Indicator, Battery Level (1 per battery)
**	56409441	A/R Programmer, 1307 User
**	56409823	A/R Programmer Cable
Optional Batteries		
**	56391391	6 Battery, 6v 305 A/H Wet
**	56206987	6 Battery, 6v 180A/H Gel
**#	56315959	6 Battery, 6v 315 A/H AGM
**#	56315772	6 Battery, 6v 255 A/H Sealed
Optional Battery Chargers		
**	56388120	1 Charger, 36vdc Auto 36 Amp 120vac/60hz
**	56372190	1 Charger, 36vdc 20 Amp 230vac/50hz
**	56388119	1 Charger, 36vdc 36 Amp 230vac/50hz
Replacement Brushes (use only these)		
	56316050	2 Adhancer Brushes for 28"
	56316051	2 Adhancer Brushes for 32"

** = Optional, Not Included
 # = Revised or new since last update

NOTE 1: All squeegee blade kits include both front and rear squeegee blades.
NOTE 2: Replacement parts for the kits listed above can be found on each kit's associated instruction sheet.
NOTE 3: Starting with Charger serial # CP360614027995 the charger software can be programmed with a computer and the QuiQ Programmer kit 56315732.

