

CONVERTAMATIC

MODEL 17B-2 20B-2
20E-2 20E-2-5
FORM NO. 042 072

DECEMBER 1981 REVISED

PARTS LIST



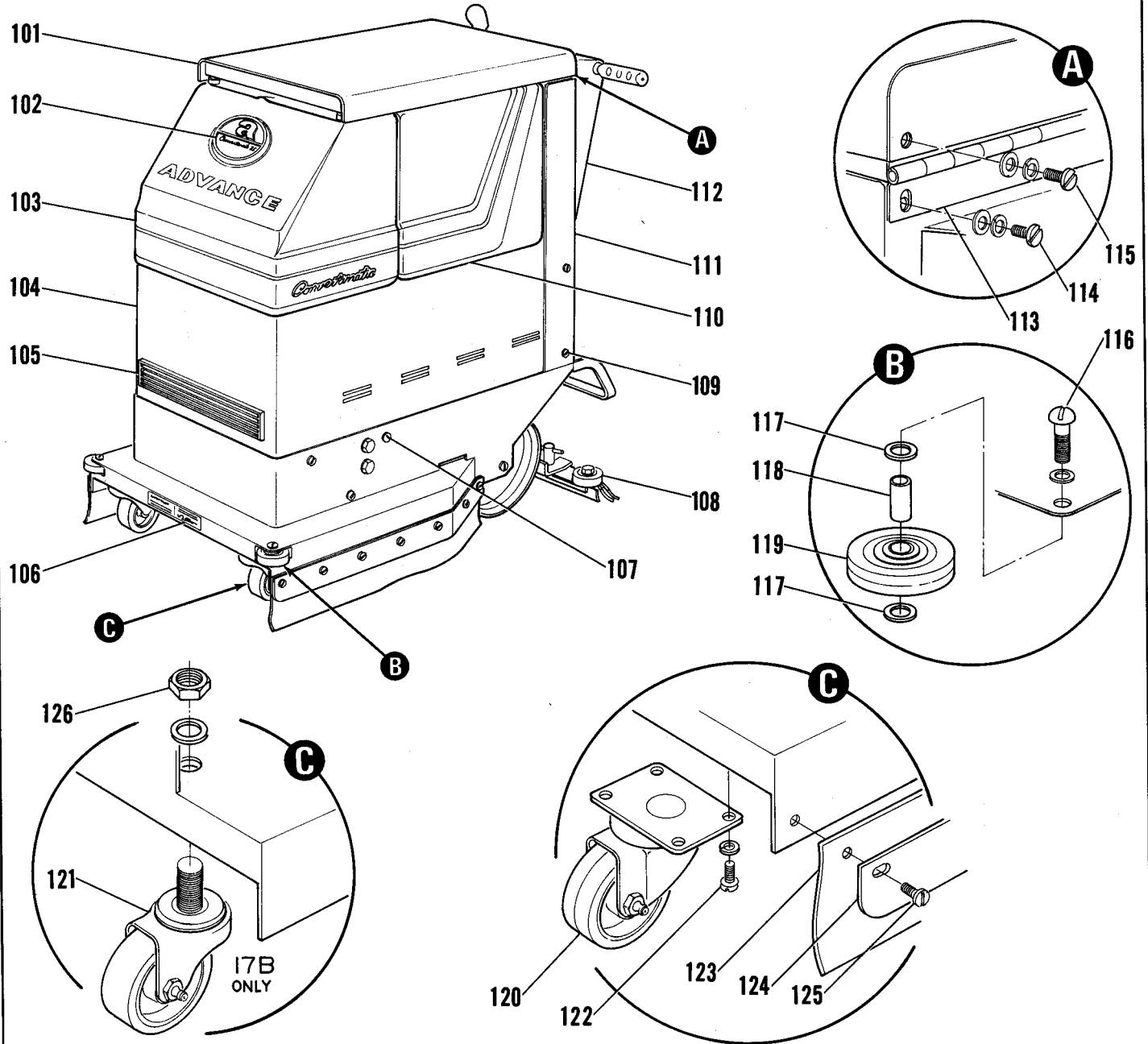
ADVANCE
MACHINE COMPANY

INTERNATIONAL HEADQUARTERS, Spring Park, Minnesota 55384 USA
EUROPE, 4 Rue Jean Engling, L - 1466 Luxembourg
CANADA, 1295 Crestlawn Drive, Mississauga, Ontario L4W1A9

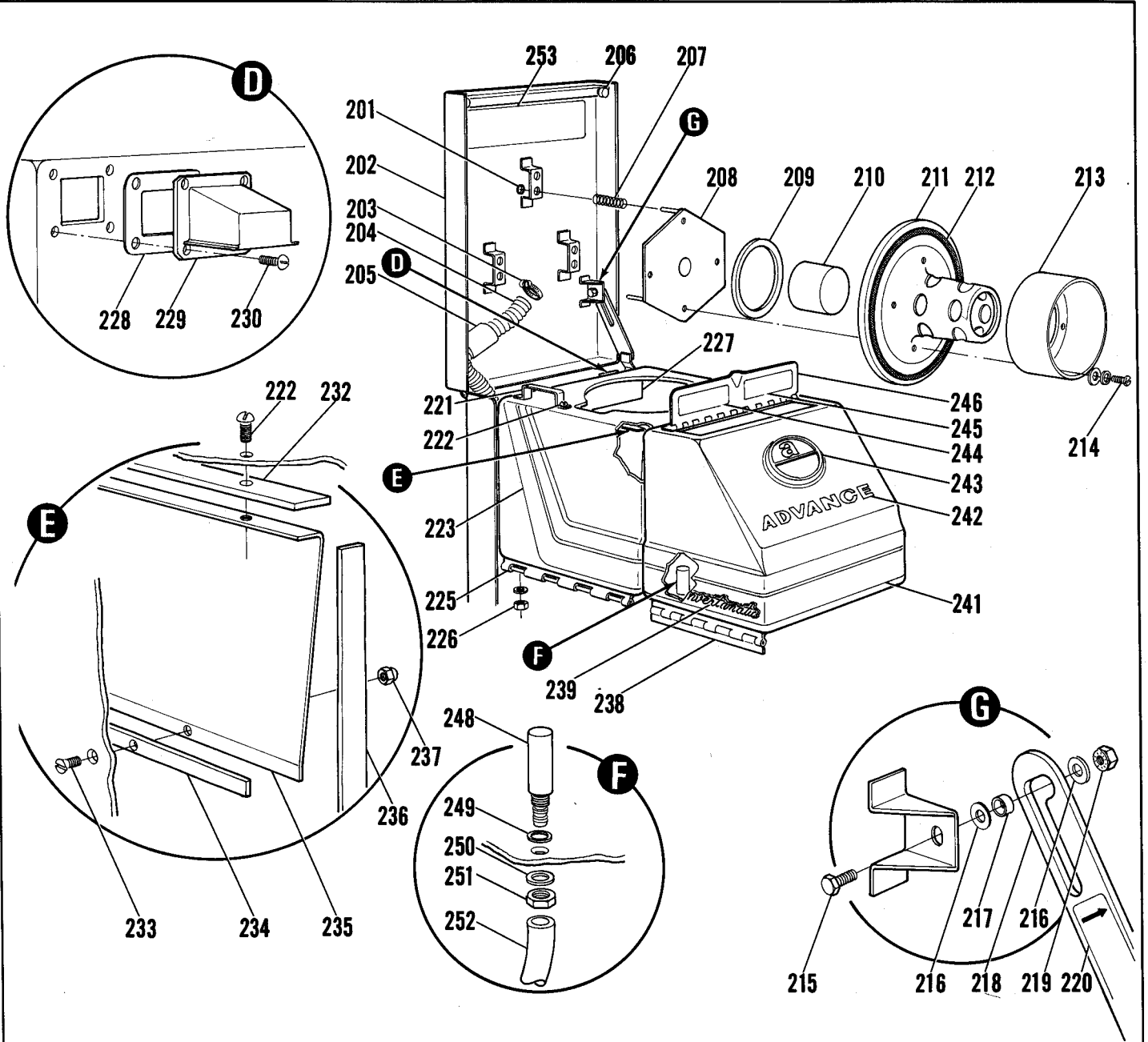


Index for Form Number 042072

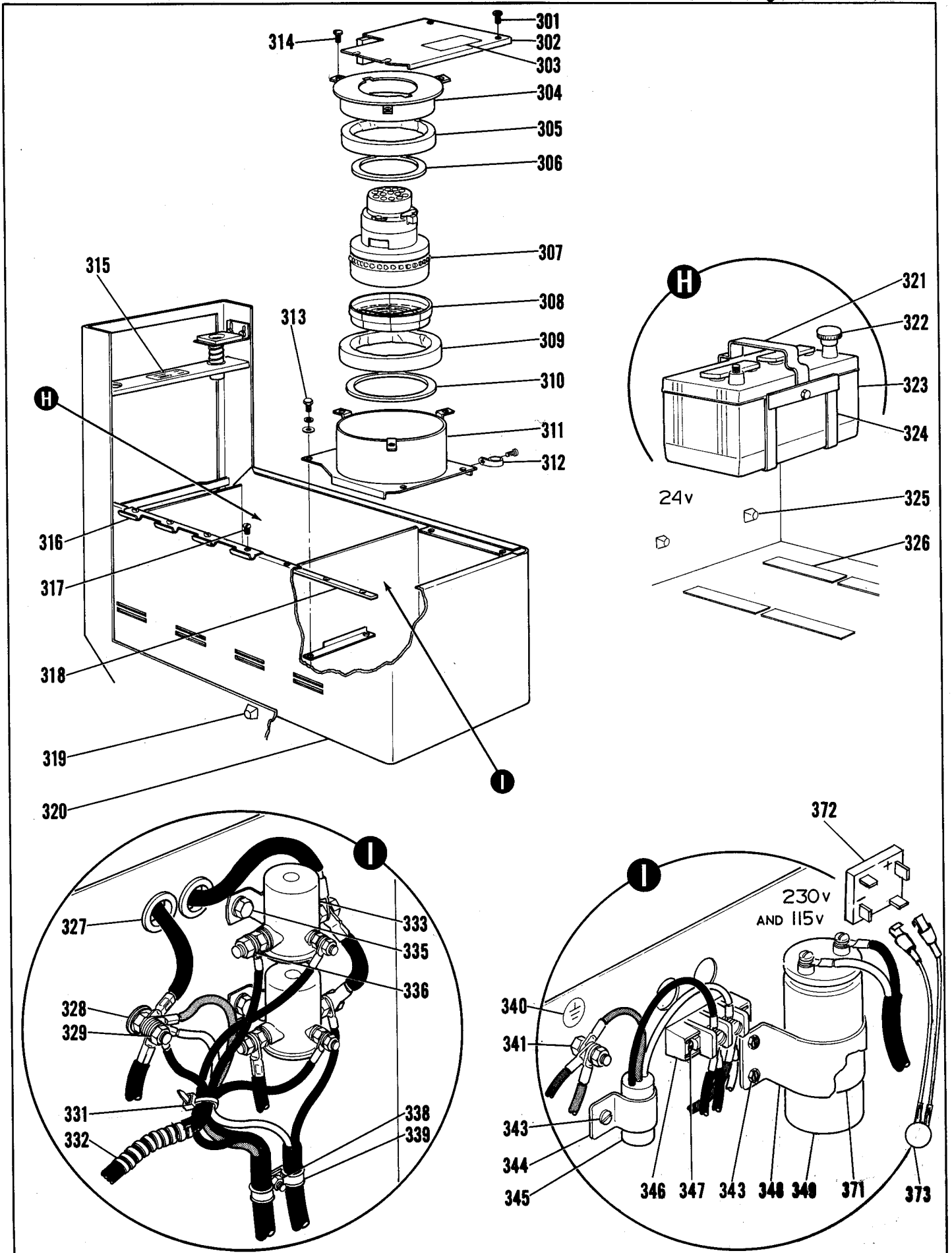
Description	Location	page
Battery Housing	F1	3
Brush Drive	F5	7
Control Handle	F3	5
Motor, Vacuum	F7	9
Outer Body	E12	1
Squeegee & Rear Wheels	F6	8
Tanks	E13	2
Wiring Diagrams	F2	4



ITEM	PART NO	QTY	DESCRIPTION	ITEM	PART NO	QTY	DESCRIPTION
101	385 858	1	HOOD ASSEMBLY	113	385 842	1	HINGE
102	016 382	1	DECAL, Convertomatic 20	114		5	SCREW, Pan Hd. 10-24 X 3/8 w/Flat washer #10 & shakeproof washer #10
	016 379	1	DECAL, Convertomatic 17	115		5	SCREW, Pan Hd. 10-24 X 3/8 w/Flat washer #10 & whiz nut
103	385 544	1	TANK ASSEMBLY, Solution	116		2	SCREW, Rd. Hd. 1/4-20 X 1 3/8 w/lockwasher
104	385 545	1	HOUSING WELDMENT	117	371 009	4	WASHER, .391 X .62 X .06
105	016 148	1	GRILL	118	360 139	2	BUSHING, SPACER
106	016 106	1	DECAL, Caution	119	363 857	2	BUMPER WHEEL ASSEMBLY (Item No.'s 116-119)
107		4	SCREW, Pan Hd. 10-24 X 1/2 w/washer	120	206 725	2	CASTER, Swiv. 3.5 X 1 (20" only)
108	382 350	1	SQUEEGEE ASSEMBLY, 20"	121	385 077	2	CASTER, Swiv. 3.0 X 1 w/washer & nut (17" only)
	385 025	1	SQUEEGEE ASSEMBLY, 17"	122		8	SCREW, Pan Hd. 1/4-20 X 3/8 w/1kw
109		4	SCREW, Pan Hd. 10-24 X 1/2 w/lockwasher & nut	123	382 019	2	GUARD, Rubber
110	365 185	1	TANK ASSEMBLY, Recovery	124	382 893	1	STRAP, Left 20"
111	385 620	1	CHASSIS WELDMENT 20"		382 896	1	STRAP, Right 20"
	385 640	1	CHASSIS WELDMENT 17"		385 654	1	STRAP, Left 17"
112	385 734	1	CONTROL PANEL ASSY., (230V)		385 656	1	STRAP, Right 17"
	385 732	1	CONTROL PANEL ASSY., (115V)	125	384 929	16	SCREW, Black 10-24 X 1/2
	385 730	1	CONTROL PANEL ASSY., (24V)	126		2	NUT, Hex 1/2-13 w/lockwasher



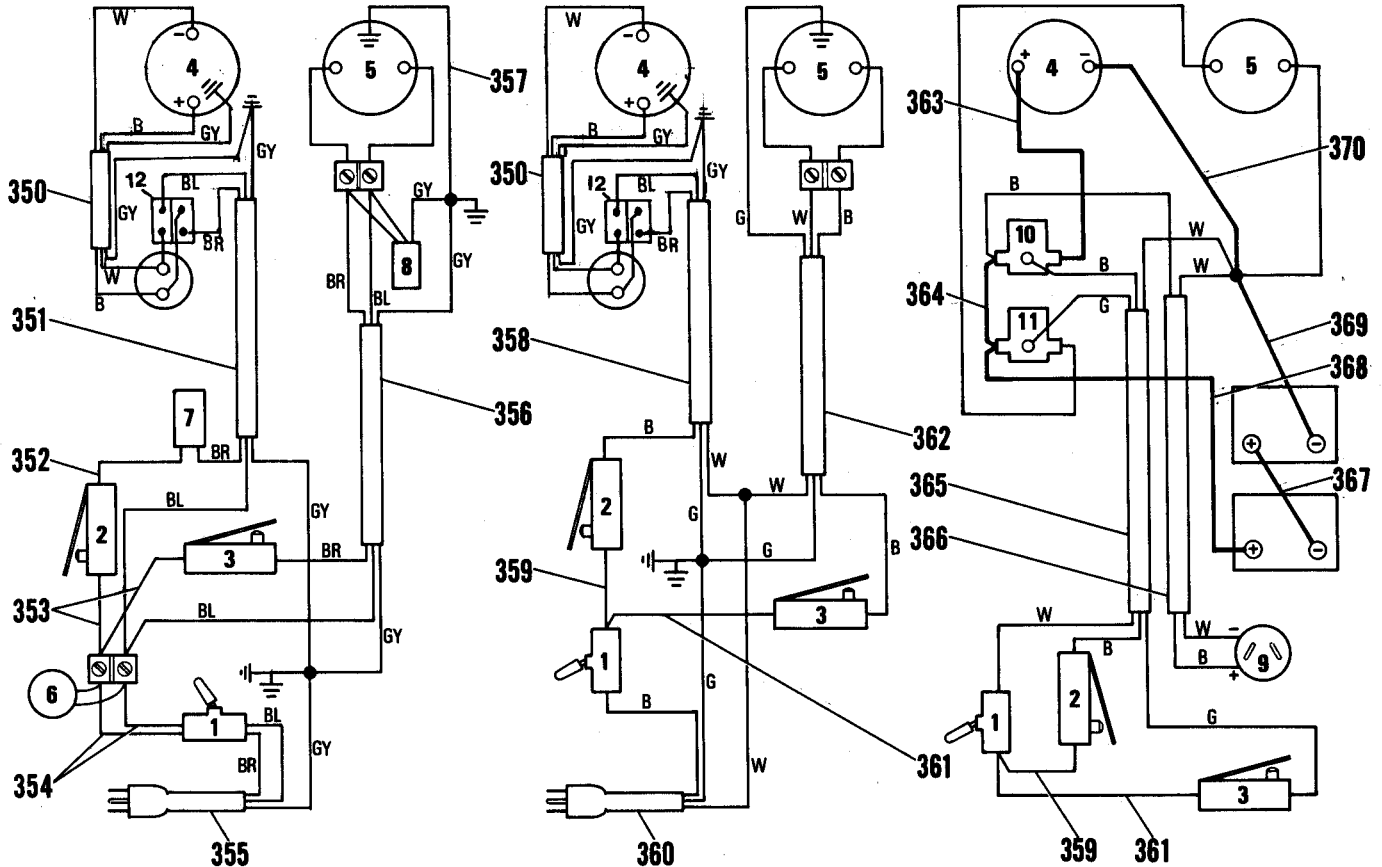
ITEM	PART NO	QTY	DESCRIPTION	ITEM	PART NO	QTY	DESCRIPTION
201	321 125	3	RETAINING RING	229	374 550	1	INLET ADAPTER
202	385 830	1	COVER WELDMENT	230		6	SCREW, Brass Rd. Hd. 1/4-20 X 5/8 w/ Hex Nut
203	131 601	2	CLAMP HOSE	232	365 187	1	GASKET 1/8 X 1/2 X 14.6
204	385 862	1	HOSE, Vac 1.25 X 68	233		2	SCREW, Flat Hd. 10-24 X 1/2
205	385 876	1	CLAMP	234	365 191	1	GASKET 1/8 X 1/2 X 15
206	386 312	2	BUMPER, .875 Dia. w/Hex X 1/4-20 Nut	235	365 201	1	PANEL
207	379 170	3	SPRING	236	320 986	1	GASKET 3/16 X 1/2 X 18 1/2
208	385 870	1	MOUNT WELDMENT	237		2	NUT, Acorn 10-24
209	385 247	1	GASKET	238	385 536	1	HINGE WELDMENT
210	385 198	1	FLOAT	239	016 370	2	EMBLEM
211	385 239	1	COVER w/Gaskets	241	016 554	1	DECAL, Stripe
212	385 245	1	GASKET	242	016 519	1	DECAL, Advance
213	379 206	1	DEFLECTOR	243	016 398	1	EMBLEM, Advance
214		4	SCREW, Pan Hd., 10-24 X 3/8 w/lockwasher & washer	244	016 185	1	DECAL, Low Sudsing
215		1	SCREW, Hex Hd. 1/4-20 X 5/8	245	016 057	1	DECAL
216		2	WASHER, Flat 1/4	246	385 538	1	COVER WELDMENT
217	163 872	2	BUSHING .25 X .37 X .16	247		3	SCREW, Phil Hd. St. 10-24 X 1/2
218	385 869	1	LATCH ASSEMBLY (Item No.'s 215-220)	248	368 725	1	SCREEN
219		1	NUT, Whiz 1/4-20	249	368 776	1	GASKET
220	016 183	2	DECAL, Release	250		1	WASHER, Flat 5/8
221	365 193	2	HANDLE	251		1	NUT, Hex 5/8-18
222		5	SCREW, Brass Rd. Hd. 1/4 -20 X 5/8	252	385 561	1	TUBE, PVC .437 X 54, (24V)
223	016 555	1	STRIPE, Right		385 562	1	TUBE, .375 X 54, (230V & 115V)
	016 557	1	STRIPE, Left	253	016 273	1	DECAL, Instruction, (230V & 115V)
225	365 199	1	HINGE WELDMENT		016 699	1	DECAL, Maintenance, (24V)
226		10	SCREW, Brass Rd. Hd. 1/4-20 X 5/8 w/lkw & hex nut		016 110	1	DECAL, Wiring, (230V)
227	385 234	1	PLATE, Deflector		016 108	1	DECAL, Wiring, (115V)
228	374 558	1	GASKET		016 105	1	DECAL, Wiring, (24V)



230v

115v

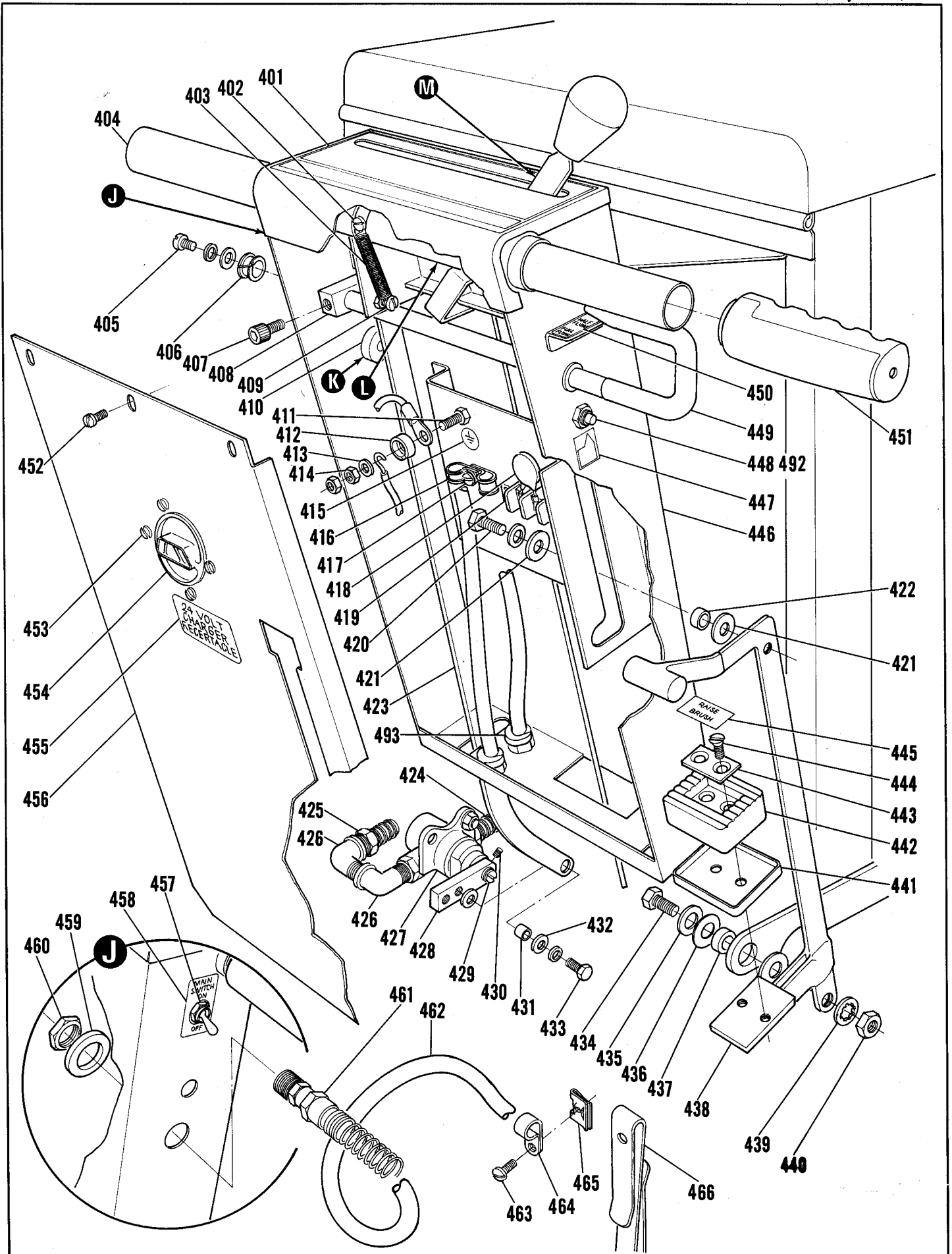
24v

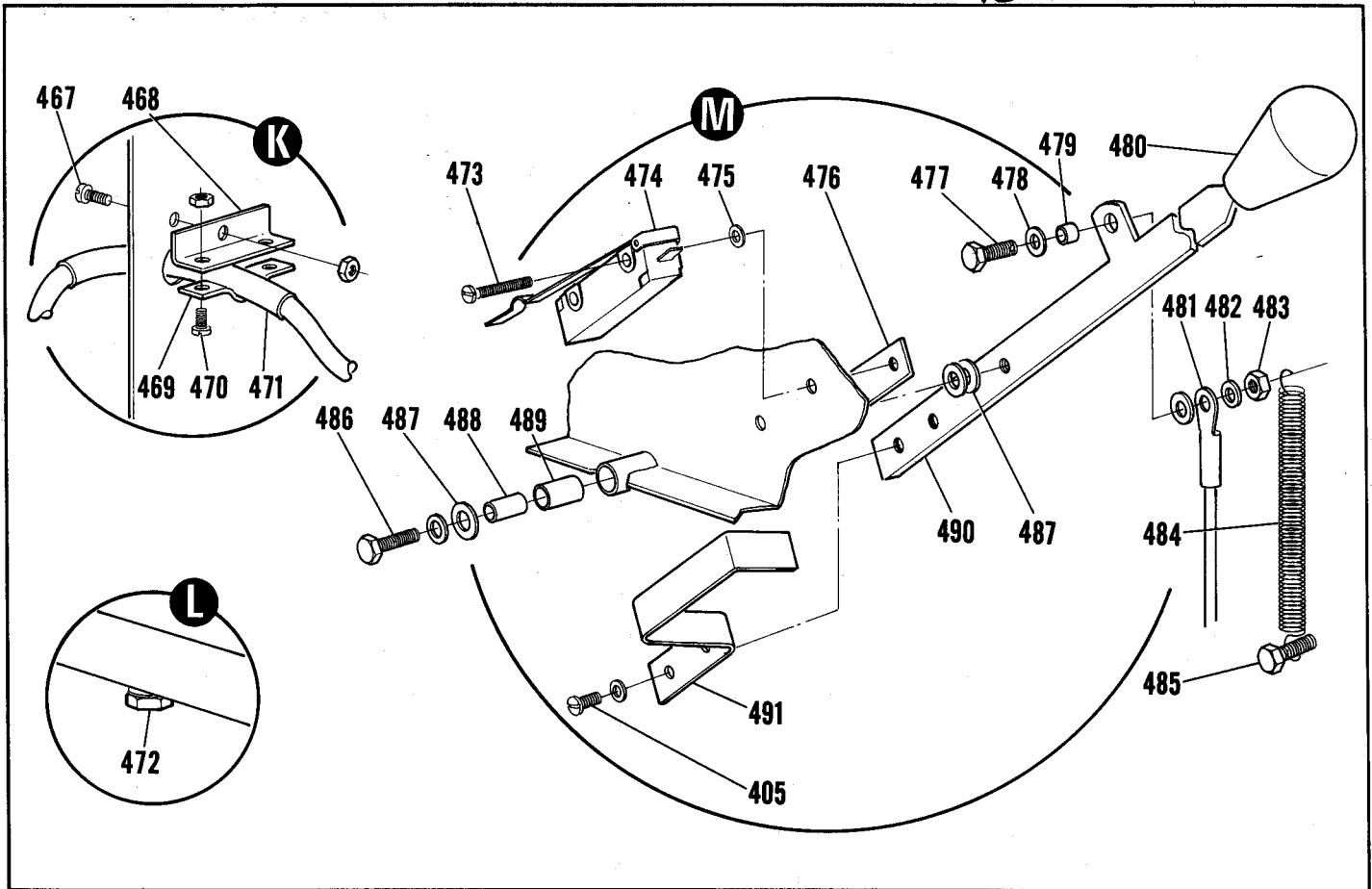


- 1. Main Switch
- 2. Brush Switch
- 3. Vacuum Switch
- 4. Brush Motor
- 5. Vacuum Motor
- 6. Varistor
- 7. Circuit Breaker
- 8. RFI Filter
- 9. Charge Receptacle
- 10. Brush Solenoid
- 11. Vacuum Solenoid
- 12. Rectifier

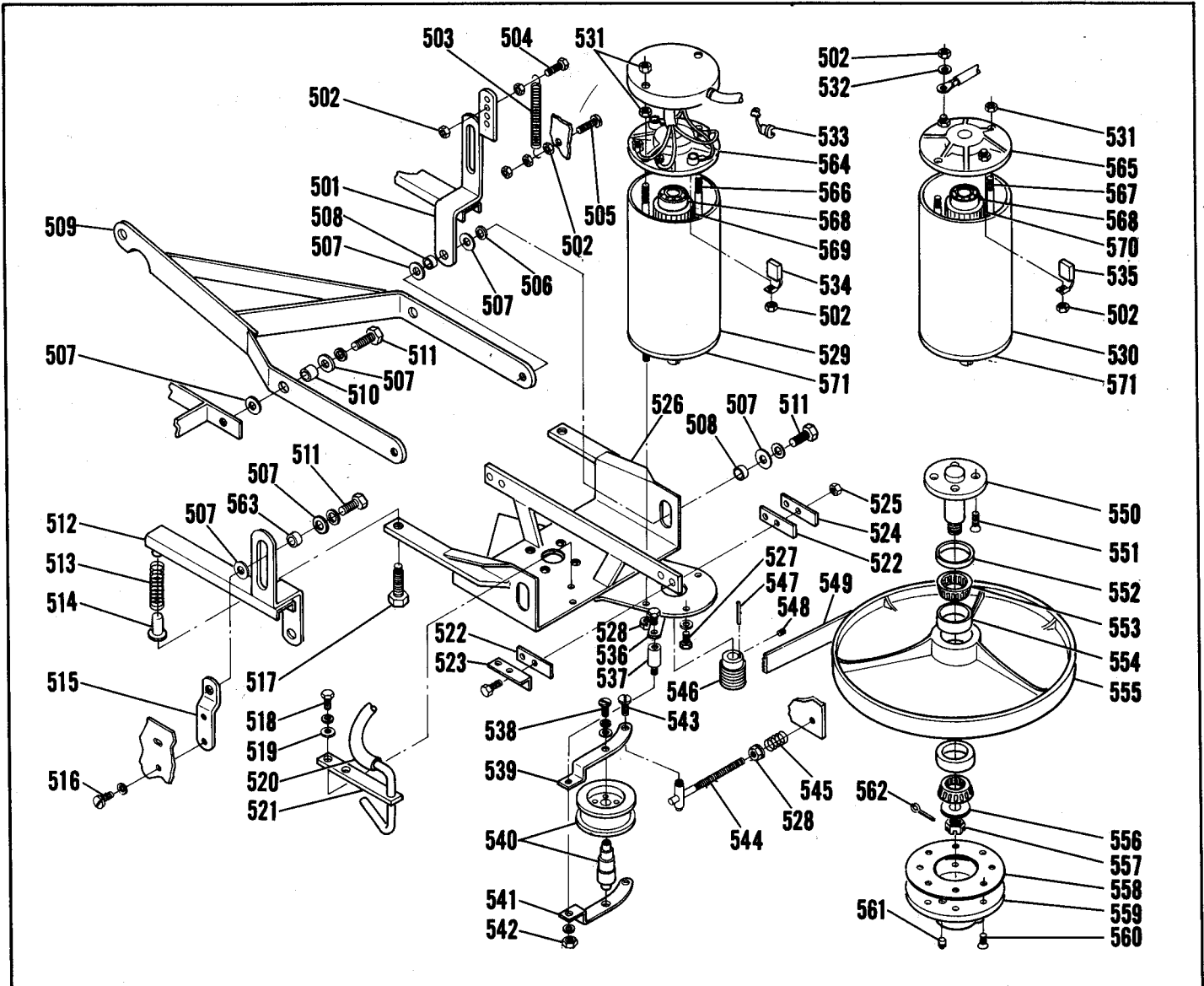
- B - Black
- BL - Blue
- BR - Brown
- G - Green
- GY - Green and Yellow
- W - White

ITEM	PART NO	QTY	DESCRIPTION	ITEM	PART NO	QTY	DESCRIPTION
301		2	SCREW, Pan Hd. 10-24 X 7/16	336		4	NUT, Hex Hd. 5/16-24 w/flat washer
302	385 568	1	PANEL WELDMENT (230V & 115V only)	338		1	SCREW, Pan Hd. 10-24 X 1/2 w/nut
303	030 096	1	DECAL, Power	339	481 890	2	CLAMP, Cord
304	385 844	1	BAFFLE WELDMENT	340	014 119	1	DECAL, Ground Symbol
305	385 872	1	FOAM, Sound Reduction	341		1	SCREW, Pan Hd. 10-24 X 3/4 w/nut (3)
306	387 420	1	GASKET	343		3	SCREW, Pan Hd. 10-24 X 3/8 w/whiz nut
307	202 290	1	MOTOR VAC, (230V)	344	245 076	1	STRAP
	207 195	1	MOTOR VAC, (115V)	345	382 830	1	FILTER R1 (230V only)
	202 305	1	MOTOR VAC, (24V)	346	290 564	1	TERMINAL BLOCK ASSEMBLY (230V & 115V only)
308	384 898	1	FILTER	347		2	SCREW, Pan Hd. 6-32 X 1/2 w/lkw #6 & hex nut
309	385 874	1	FOAM, Sound Reduction	348	385 960	1	CLAMP
310	385 437	1	GASKET	349	171 510	1	CAPACITOR 500 MFD (230V only)
311	385 850	1	BAFFLE WELDMENT	350	171 508	1	CAPACITOR 1200 MFD (115V only)
312	385 564	1	CLAMP, Cord	351	385 974	1	CABLE ASSEMBLY (230V & 115V)
313		4	SCREW, Hex Hd. 1/4-20 X 1/2 w/washer & lkw	352	385 972	1	CABLE ASSEMBLY (230V)
314		3	SCREW, Pan Hd. 1/4-20 X 1/2	352	168 782	1	CABLE ASSEMBLY (230V)
315	016 698	1	DECAL, Instruction (24V only)	353	385 736	1	CABLE ASSEMBLY (230V)
316	361 674	1	HINGE	354	385 738	1	CABLE ASSEMBLY (230V)
317		4	SCREW, Pan Hd. 10-24 X 7/16	355	382 331	1	CABLE ASSEMBLY (230V)
318	385 557	1	PLATE, Nut	356	385 969	1	CABLE ASSEMBLY (230V)
319	382 556	1	BUMPER .812 sq.	357	385 741	1	CABLE ASSEMBLY (230V)
320	385 545	1	HOUSING WELDMENT	358	385 966	1	CABLE ASSEMBLY (115V)
321	386 418	2	HANDLE BATTERY (24V only)	359	468 314	1	CABLE ASSEMBLY (115V & 24V)
322	386 222	4	KNOB 1.37 X 5/16-18 (24V only)	360	330 871	1	CABLE ASSEMBLY (115V)
323		2	BATTERY, 12V (24V only)	361	385 958	1	CABLE ASSEMBLY (115V & 24V)
324	386 417	2	HOLDER, Battery/Gasket (24V only)	362	385 963	1	CABLE ASSEMBLY (115V)
325	382 556	2	BUMPER .812 sq. (24V only)	363	386 236	1	CABLE ASSEMBLY (24V)
326	371 599	4	GASKET 3/16 X 1 X 7 (24V only)	364	454 558	1	CABLE ASSEMBLY (24V)
327	157 376	2	GROMMET .734 (24V only)	365	385 954	1	CABLE ASSEMBLY (24V)
328	321 559	1	GROMMET .375 (24V only)	366	385 952	1	CABLE ASSEMBLY (24V)
329		1	SCREW, Hex Hd. 1/4-20 X 1 1/8 w/flat washer & nut	367	454 552	1	CABLE ASSEMBLY (24V)
331	478 246	2	CABLE TIE	368	386 215	1	CABLE ASSEMBLY (24V)
332	226 416	1	WRAP, Wire 1/4 X 6	369	386 212	1	CABLE ASSEMBLY (24V)
333	371 394	1	SOLENOID, 24V (24V only)	370	386 236	1	CABLE ASSEMBLY (24V)
335		4	SCREW, Hex Hd. 1/4-20 X 1/2 w/flat washer & nut	371	228 076	1	GASKET
				372	180 162	1	RECTIFIER (115V & 230V)
				373	171 489	1	VARISTOR (230V only)



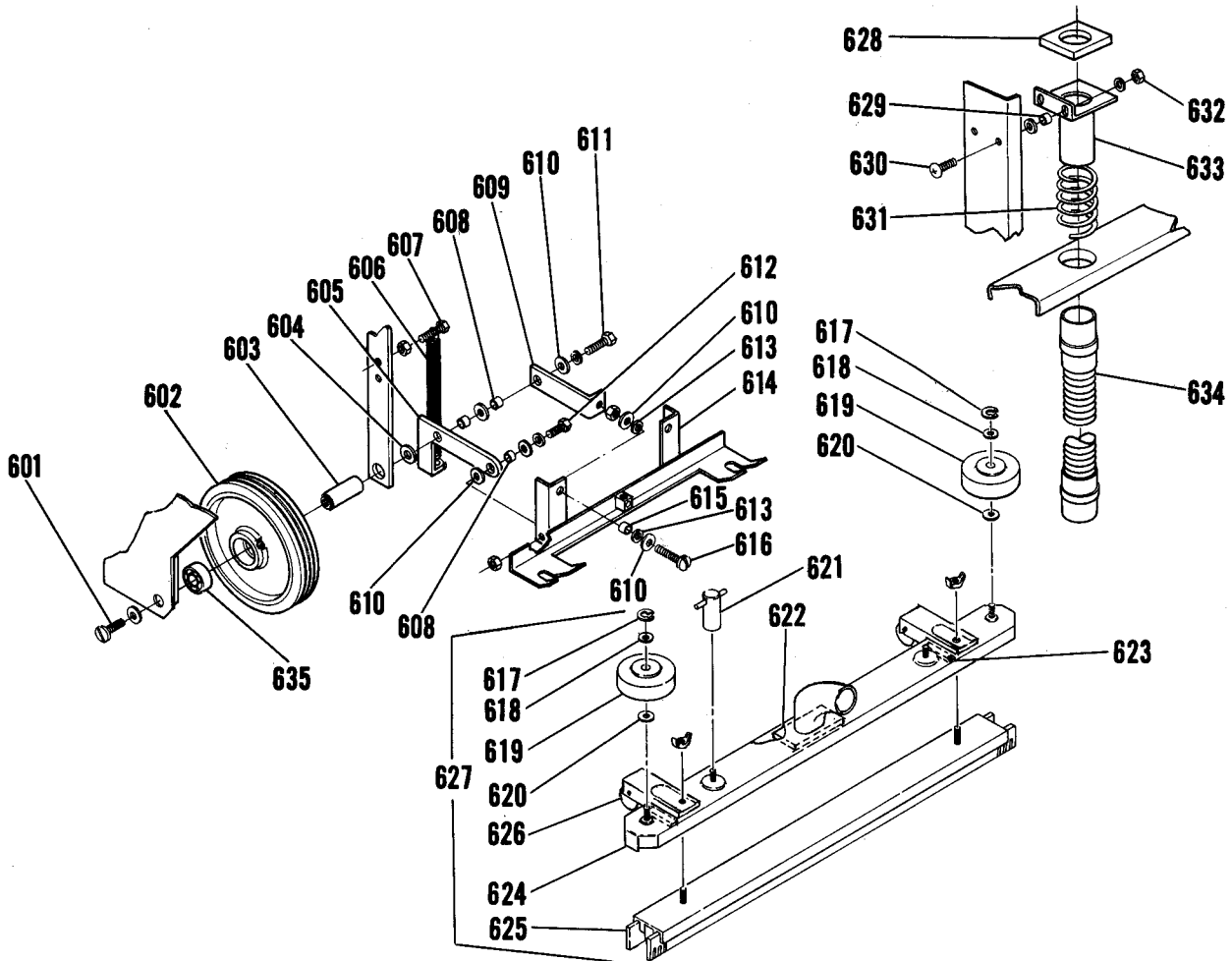


ITEM	PART NO	QTY	DESCRIPTION	ITEM	PART NO	QTY	DESCRIPTION
401	016 104	1	DECAL, Control Panel	448	329 177	1	BREAKER, Circuit 6A
402		1	SCREW, Pan Hd. 8-32 X 1/4	449	385 344	1	ROD, Lever
403	328 790	1	SPRING, Extension .25 X 2.18	450	016 274	1	DECAL, Solution Valve
404	385 721	1	TUBE	451	514 085	2	GRIP
405		1	SCREW, Pan Hd. 10-24 X 3/8 Shakeproof #10 Washer & Flat washer	452		3	SCREW, Pan Hd. 10-24 X 3/8
406	329 098	2	BEARING, Nylon .375	453		4	SCREW, Pan Hd. 8-32 X 3/8
407		1	SCREW, Sq. Hd. Set 1/4-20 X 1/2	454	386 119	1	RECEPTACLE, Charger (24V only)
408	385 727	1	LEVER	455	054 192	1	DECAL, Charger (24V only)
409		1	SCREW, Pan Hd. 10-24 X 5/8 w/hex nut #10	456	385 745	1	PANEL (230V & 115V only)
410	386 267	1	SPACER, Threaded 1/4-20 (24V only)	385 719	1	PANEL (24V only)	
411		1	SCREW, Pan Hd. 8-32 X 3/4 w/whiz nut #8 (230V & 115V only)	457	301 636	1	SWITCH, Toggle (230V only)
412	325 274	1	WASHER, Cupped (230V only)	200 340	1	SWITCH, Toggle DPST (115V only)	
413	325 276	1	WASHER, .17 X .38 X .03 (230V only)	370 347	1	SWITCH, Toggle SPST (24V only)	
414		2	NUT, Hex #8	458	016 112	1	DECAL, Switch
415	014 119	1	DECAL, Ground Symbol (230V & 115V only)	459	200 433	1	WASHER (115V only)
416	300 152	2	CLAMP, Cord (230V)	460	200 441	1	NUT, Lock (115V only)
417	342 319	2	CLAMP, Cord (24V & 115V)	461	162 736	1	STRAIN, Relief (115V only)
418		1	SCREW, Pan Hd. 10-24 X 3/8	462	330 871	1	CORD SET (115V only)
419	385 970	1	VARIABLE ASSEMBLY (230V only)	468 314	1	WIRE ASSEMBLY (230V only)	
420	290 572	1	TERMINAL, Block	463		1	SCREW, Pan Hd. 6-32 X 3/8 (115V & 230V only)
421	385 358	2	WASHER	464	300 152	1	CLAMP, cord (115V & 230V only)
422	385 356	1	BUSHING	465	322 504	1	NUT (115V & 230V only)
423	385 743	1	STRAP	466	300 187	1	BELT CLIP (115V & 230V only)
424	755 640	1	BARB 3/8 X 1/4 Br.	467		1	SCREW, Pan Hd. 10-24 X 1/2 w/whiz nut #10 (230V only)
425	443 999	1	BARB 7/16 X 1/4 Br.	468	300 540	1	BRACKET (230V only)
426	369 632	2	ELBOW, St. 1/4 X 90 Br.	469	300 542	1	CORD CLAMP (230V only)
427	368 903	1	VALVE 2 way 1/4	470		2	SCREW, Pan Hd. 8-32 X 5/8 w/hex nut #8 (230V only)
428	385 450	1	VALVE ASSEMBLY (424-430)	471	300 602	1	TUBE, Rubber (230V only)
429		1	PLATE	472	234 079	1	SCREW, w/shakeproof washer 5/16
430		1	SCREW, Pan Hd. 8-32 X 5/16 w/lockwasher	473		4	SCREW, Pan Hd. 6-32 X 7/8 w/shakeproof washer #8
431	368 997	2	SCREW, Soc. Set 10-24 X 1/4	474	171 225	2	SWITCH, Snap Assembly NC
432	150 142	4	BUSHING	475		4	WASHER, Flat #6
433		2	WASHER	476	385 747	2	NUT PLATE
434		1	SCREW, Hex Hd. 1/4-20 X 5/8 w/lockwasher	477	385 749	1	SCREW .25 X .875
435	367 214	2	SCREW, Hex Hd. Cap. 1/2-13 X 1	478	150 142	2	WASHER .265 X .75 X .03
436	398 056	1	WASHER, Spring	479	379 298	1	BUSHING .25 X .37 X .21
437	382 086	1	BUSHING	480	364 527	1	KNOB 1.62 X 5/16-18
438	385 906	1	PEDAL ASSEMBLY, Foot	481	384 909	1	CABLE ASSEMBLY
439		1	LOCKWASHER, 1/2	482		1	WASHER, Lock 1/4
440		1	NUT, Hex Hd. 1/2-13	483		1	NUT, Hex 1/4-20
441	365 083	1	CUP, Pedal	484	358 560	1	SPRING, Extension .34 X 3.85
442	365 082	1	PAD, Rubber	485		1	SCREW, Hex Hd. 1/4-20 X 3/4 w/2 hex nuts
443	365 081	1	PLATE	486		1	SCREW, Hex Hd. 1/4-20 X 1 1/2 w/lockwasher
444		2	SCREW, Fl. Hd. 1/4-20 X 3/4	487		1	WASHER, Flat 1/4
445	016 281	1	DECAL, Brush	488	471 220	1	BUSHING .25 X .37 X 1.00
446	385 705	1	PANEL WELDMENT	489	200 972	1	BEARING, Sleeve .378
447	014 362	1	DECAL, Reset	490	385 725	1	HANDLE WELDMENT
				491	385 737	1	STRAP
				492	171 369	1	PLUG BUTTON .406 (115V & 24V only)
				493	290 651	2	STRAIN, Relief



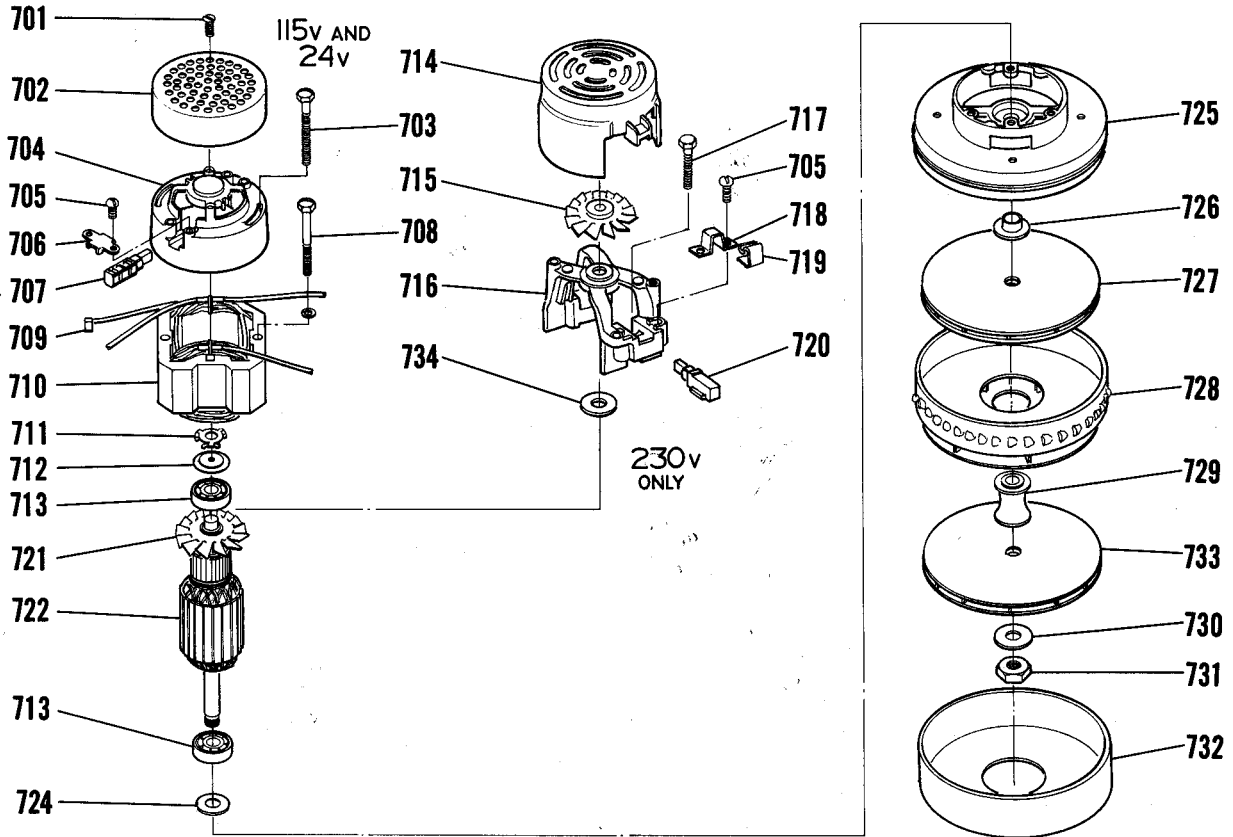
ITEM	PART NO	QTY	DESCRIPTION	ITEM	PART NO	QTY	DESCRIPTION
501	385 914	1	BRACKET WELDMENT	537	386 209	1	BUSHING, SPACER
502		9	NUT, Hex Hd. 1/4-20	538		2	SCREW, Pan Hd. 10-24 X 3/8
503	398 606	1	SPRING	539	386 282	1	BRACKET, Top
504		1	SCREW, Hex Hd. 1/4-20 X 1 1/4	540	171 178	1	IDLER ASSEMBLY
505		1	SCREW, RD. Hd. 1/4-20 X 1 3/8	541	386 284	1	BRACKET, Bottom
506	398 056	2	WASHER, Spring	542		1	NUT, Hex 1/4-20 w/lkw
507	367 214	14	WASHER	543		2	SCREW, Truss Hd. 10-24 X 3/8
508	382 086	4	BUSHING	544	386 273	1	LINKAGE WELDMENT
509	382 968	1	ARM WELDMENT	545	171 177	1	SPRING
510	360 627	2	BUSHING	546	171 088	1	SHEAVE
511		6	SCREW, Hex Hd. 1/2-13 X 1 w/lkw	547	443 719	1	KEY
512	385 890	1	BRACKET WELDMENT	548		2	SCREW, Socket Set 1/4-20 X 1/4
513	373 869	2	SPRING	549	171 200	1	BELT, Drive
514	386 216	2	GUIDE BUSHING	550	171 056	1	STUD, Shaft
515	386 228	2	BRACKET	551		4	SCREW, Flat Hd., Socket
516		4	SCREW, Pan Hd. 1/4-20 X 1/2 w/lkw	552	171 078	1	SEAL
517	386 213	2	SCREW, Adjusting	553	378 267	2	BEARING, Cone
518		2	SCREW, Hex Hd. 1/4-20 X 5/8 w/lkw	554	378 259	2	BEARING CUP
519	151 114	1	WASHER	555	171 376	1	PULLEY w/cups
520	158 771	1	TUBE, Solution	556	163 449	1	WASHER
521	386 502	1	PIPE WELDMENT	557	158 313	1	NUT
522	386 105	4	WEAR STRIP	558	158 275	1	GASKET
523	382 984	1	BRACKET	559	163 430	1	DRIVE CAP
524	386 160	3	PLATE	560		6	SCREW, Flat Hd. 12-24 X 5/8
525		4	NUT, Whiz Hex 1/4-20	561	361 321	1	BULLET CATCH
526	385 914	1	BRACKET WELDMENT	562		1	COPPER PIN 1/16 X 1
527		2	SCREW, Hex Hd. 5/16-18 X 1/2	563	365 030	2	BUSHING
528		2	NUT, Whiz 5/16-18	564	171 557	1	REAR END BELL ASSEMBLY w/brushes (115V)
529	382 130	1	MOTOR 230V, 50/60c	171 558	1	REAR END BELL ASSEMBLY w/brushes (230V)	
530	382 129	1	MOTOR 115V, 50/60c	565	386 264	1	REAR END BELL ASSEMBLY w/brushes (24V)
531	386 261	1	MOTOR 24V	566	382 156	2	TIE BOLT
532		2	NUT, Whiz Hex 5/16-18	567	386 268	2	TIE BOLT
533		2	WASHER, In Tooth 1/4	568	372 773	2	BEARING
534	382 817	1	STRAIN, Relief	569	382 128	1	ARMATURE w/bearings (230V)
535	171 472	1	BRUSHES, Motor (set of 2) 115V	382 122	1	ARMATURE w/bearings (115V)	
	171 473	1	BRUSHES, Motor (set of 2) 230V	386 266	1	ARMATURE w/bearings (24V)	
	386 263	1	BRUSHES, Motor (set of 2) 24V	571	386 272	1	FRONT END BELL
536		1	SCREW, Hex Hd. 3/8-16 X 1/2 w/washer				

DRIVE UNIT ASSEMBLY



ITEM	PART NO	QTY	DESCRIPTION	ITEM	PART NO	QTY	DESCRIPTION
601		2	SCREW, Pan Hd. 14-20 X 3/8 w/lkw	624	385 028	1	CHANNEL WELDMENT (17")
602	365 610	2	WHEEL, Rear	625	382 352	1	CHANNEL WELDMENT (20")
603	382 035	2	AXLE	626	385 032	1	SQUEEGEE CARTRIDGE (17")
604	151 114	2	WASHER	627	382 356	1	SQUEEGEE CARTRIDGE (20")
605	381 829	1	ARM, Pivot Left	628	387 376	2	ROLLER ASSEMBLY
606	381 837	1	ARM, Pivot Right (not shown)	629	385 025	1	SQUEEGEE ASSEMBLY (17")
607	382 000	2	SPRING	630	382 350	1	SQUEEGEE ASSEMBLY (20")
608	368 997	6	SCREW, Hex Hd. 1/4-20 X 1 w/nut	631	385 055	1	GASKET
609	381 845	2	BUSHING	632	151 092	2	BUSHING
610	150 142	16	ARM, Adjusting	633	570 220	2	SCREW
611		2	WASHER	634	404 800	1	SPRING
612		2	SCREW, Hex Hd. 1/4-20 X 1 w/lkw	635	385 054	2	NUT, Hex 10-24 w/lkw & washer
613	163 880	4	SCREW, Hex Hd. 1/4-20 X 5/8 w/nut	636	385 054	1	TUBE, w/gasket
614	384 962	1	WASHERS, Wave	637	385 172	1	HOSE ASSEMBLY
615	381 810	1	MOUNT, Squeegee (17")	638	362 352	4	BEARING, Ball
616	206 784	2	MOUNT, Squeegee (20")				
617		2	BUSHING				
618	157 046	2	SCREW, Rd. Hd. 1/4-20 X 1 1/2 w/nut				
619	371 009	4	RING, Retaining				
620	363 853	2	WASHER, Bumper				
621	371 009	4	WASHER				
622	370 711	2	WASHER				
623	400 613	1	NUT, Thumb				
624	400 614	2	GASKET				

TSB 590-69
TSB 590-69



ITEM	PART NO	QTY	DESCRIPTION	ITEM	PART NO	QTY	DESCRIPTION
701	203 598	2	SCREW (115V & 24V)	722		1	ARMATURE (230V only)
702	208 108	1	SHELL (115V & 24V)			1	ARMATURE (115V only)
703	203 601	2	SCREW (115V & 24V)		208 272	1	ARMATURE (24V only)
704	208 140	1	BRACKET, Commutator End (115V & 24V)	724	202 330	1	WASHER, Felt (230V only)
705	203 263	4	SCREW (115V & 24V)		203 459	1	WASHER, Felt (115V only)
706	208 132	2	CLAMP (115V & 24V)		203 461	1	WASHER, Felt (24V only)
707	203 518	2	BRUSH MECHANISM (230V only)	725	202 332	1	FAN END BRACKET (230V only)
	207 225	2	BRUSH MECHANISM (115V only)		208 183	1	BRACKET & BEARING CLAMP (115V & 24V)
	208 264	2	BRUSH MECHANISM (24V only)	726	203 424	1	SPACER
708	203 558	2	SCREW (115V & 24V)	727	208 191	2	FAN, Rotating (one only on 230V)
709	203 584	1	CLIP, Field (115V & 24V)	728	203 394	1	FAN, Stationary
710		1	FIELD, (230V only)	729	203 516	1	SPACER
		1	FIELD, (115V only)	730	203 432	1	WASHER (230V)
	208 280	1	FIELD, (24V only)		203 416	1	WASHER (115V & 24V)
711	202 843	1	SPRING, Load (115V & 24V)	731	203 440	1	NUT
712	203 513	1	DISC (115V & 24V)	732	202 326	1	FAN, Shell (230V)
713	228 051	2	BEARING (one only on 230V model)		203 408	1	FAN, Shell (115V & 24V)
714	202 300	1	SHELL (230V only)	733	202 328	1	FAN, Rotating (230V only)
715	203 591	1	FAN, Cooling (230V only)	734	228 388	1	WASHER, Fibre (230V only)
716		1	BRACKET, Commutator End (230V only)				
717	203 494	2	SCREW (230V only)				
718	207 285	2	CLAMP (230V only)				
719	202 302	2	CLIP (230V only)				
720	203 518	2	BRUSH MECHANISM (230V only)				
721	203 589	1	FAN, Cooling (115V & 24V)				