

CONVERTAMATIC

MODEL 17B-2, 20B-2, 20E-2, 20E-2-5

THIS PARTS LIST IS FOR MACHINES
AFTER SERIAL NUMBER 976 337

PARTS LIST



ADVANCE
MACHINE COMPANY

INTERNATIONAL HEADQUARTERS, Spring Park, Minnesota 55384-0275

EUROPE, 4 Rue Jean Engling, L-1466 Luxembourg

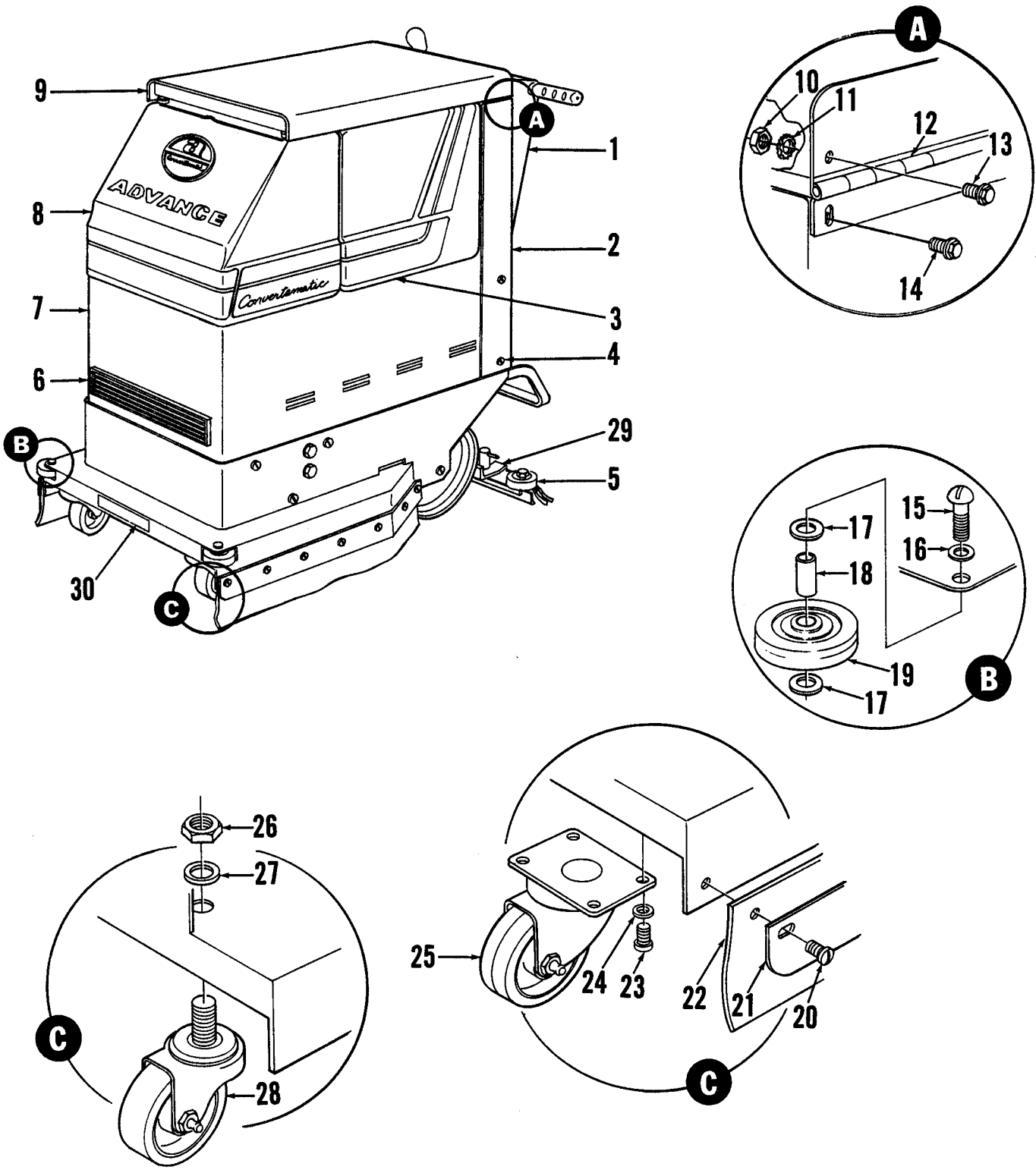
CANADA, 1295 Crestlawn Drive, Mississauga, Ontario L4W 1A9

© 1985 Advance Machine Co. 11/85 FORM NO. 042 146



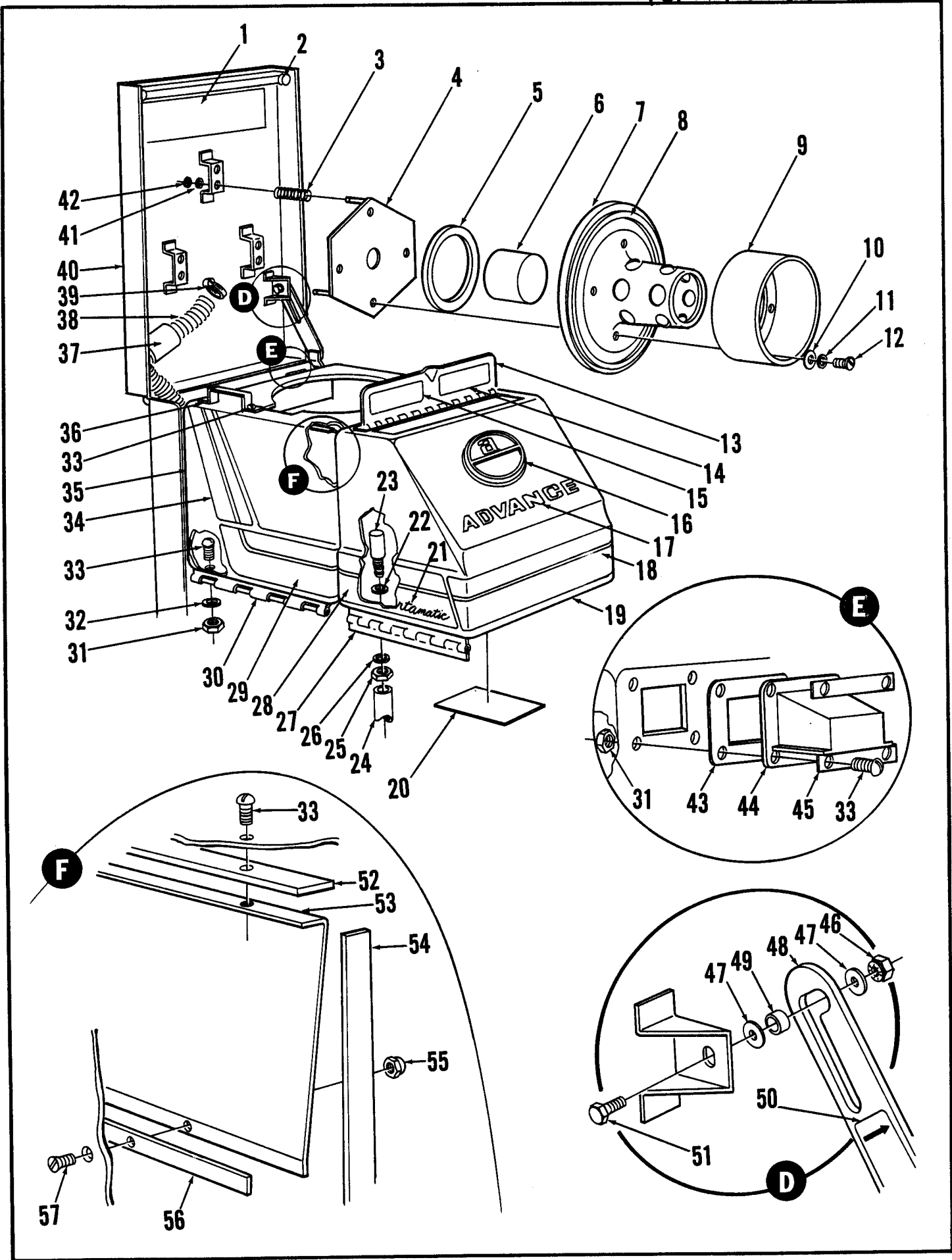
Index for Form Number 042146

Description	Location	page
Battery Housing	D13	7
Brush Drive	E1	9
Control Handle	D11	5
Motor, Vacuum - 115V, 230V	E7	15
Motor, Vacuum - 24V	E5	13
Outer Body	D7	1
Squeegee & Rear Wheels	E3	11
Tanks	D9	3
Wiring Diagrams	E9	17



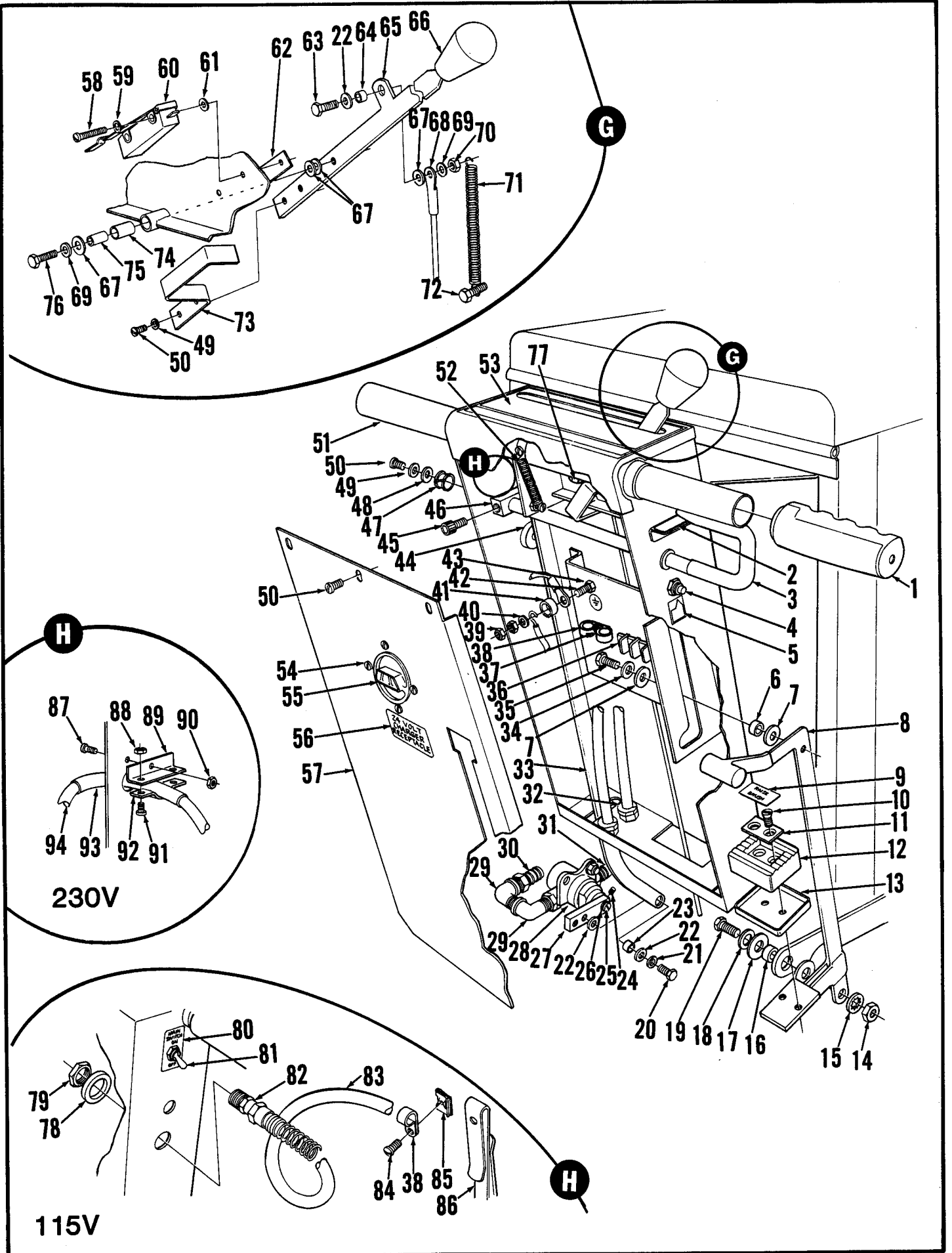
OUTER BODY ASSEMBLY

Item	Part No.	Qty	Description
1	385730	1	Control Panel 24V
	385732	1	Control Panel 115V
	385734	1	Control Panel 230V
2	385640	1	Chassis 17"
	385620	1	Chassis 20"
3	365185	1	Recovery Tank Assembly
4		4	#10-24 x 1/2 Screw
5	382350	1	Squeegee Assembly
6	016148	1	Grill
7	385784	1	Battery Housing 115V
	385558	1	Battery Housing Assembly 24V
	385700	1	Battery Housing Assembly 230V
8	385544	1	Solution Tank Assembly
9	385858	1	Hood Assembly
10		5	Nut
11		5	Shakeproof Washer
12	385842	1	Hinge
13		5	Screw
14		5	Screw
15		2	1/4-20 x 1 3/8 Screw
16		2	Lock Washer
17	371009	4	Washer
18	360139	2	Spacer Bushing
19	363855	2	Bumper Wheel
20	384929	16	Screw
21	385654	1	Left Strap 17"
	385656	1	Right Strap 17"
	382893	1	Left Strap 20"
	382896	1	Right Strap 20"
22	382019	2	Rubber Guard
23		8	1/4-20 x 3/8 Screw
24		8	Lock Washer
25	206725	2	Swivel Caster 20"
26		2	1/2-13 Nut
27		2	Lock Washer
28	385070	2	Swivel Caster 17"
29	381812	1	Mount Assembly
30	016106	1	Decal, Caution



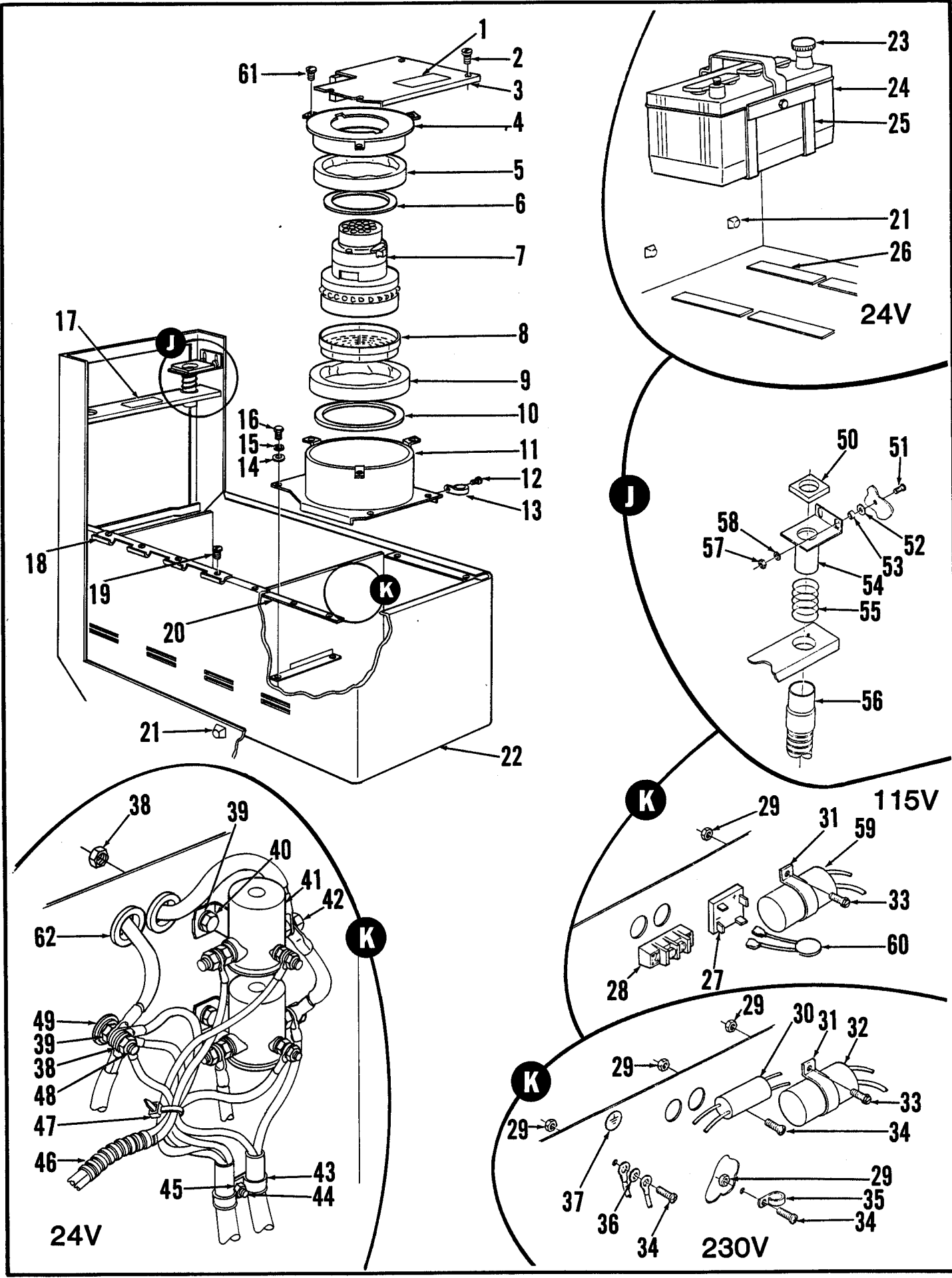
TANK ASSEMBLIES

Item	Part No.	Qty	Description	Item	Part No.	Qty	Description
1	016699	1	Decal, Maintenance 24V	37	385876	1	Clamp
	016273	1	Decal, Maintenance 115V, 230V	38	385862	1	Hose
2	386312	2	Bumper	39	131601	2	Hose Clamp
3	379170	3	Spring	40	385830	1	Cover
4	385870	1	Float Mount	41		3	Washer
5	372716	1	Gasket	42	321125	3	Retaining Ring
6	385198	1	Float	43	374558	1	Gasket
7	385237	1	Cover	44	374550	1	Inlet Adapter
8	372718	1	Gasket	45	374566	2	Plate
9	379206	1	Deflector	46		1	1/4-20 Nut
10		4	Washer	47		2	Washer
11		4	Lock Washer	48	385868	1	Latch
12		4	#10-24 x 3/8 Screw	49	163872	1	Bushing
13	385538	1	Cover	50	016183	1	Decal, Release
14	016057	1	Decal	51		1	1/4-20 x 5/8 Screw
15	016185	1	Decal, Low Sudsing	52	365187	1	Gasket
16	016398	1	Emblem, Advance	53	365201	1	Panel
17	016519	1	Decal, Advance	54	300314	1	Gasket
18	016988	1	Stripe Decal	55		2	#10-24 Acorn Nut
19	385530	1	Solution Tank	56	365191	1	Gasket
20	016105	1	Decal, Wiring 24V	57		2	#10-24 x 1/2 Screw
	016108	1	Decal, Wiring 115V				
	016124	1	Decal, Wiring 230V				
21	016370	1	Decal, Convertamatic				
22	368776	1	Gasket				
23	368725	1	Screen				
24	385561	1	Tube 24V				
	385562	1	Tube 115V, 230V				
25		1	5/8-18 Nut				
26		1	Washer				
27	385536	1	Hinge				
28	016976	2	Stripe Decal				
29	016980	1	Right Stripe Decal				
	016986	1	Left Stripe Decal				
30	365199	1	Hinge				
31		14	1/4-20 Nut				
32		10	Shakeproof Washer				
33		19	1/4-20 x 5/8 Brass Screw				
34	016990	1	Stripe, Right				
	016992	1	Stripe, Left				
35	361882	1	Recovery Tank				
36	365193	2	Tank Handle				



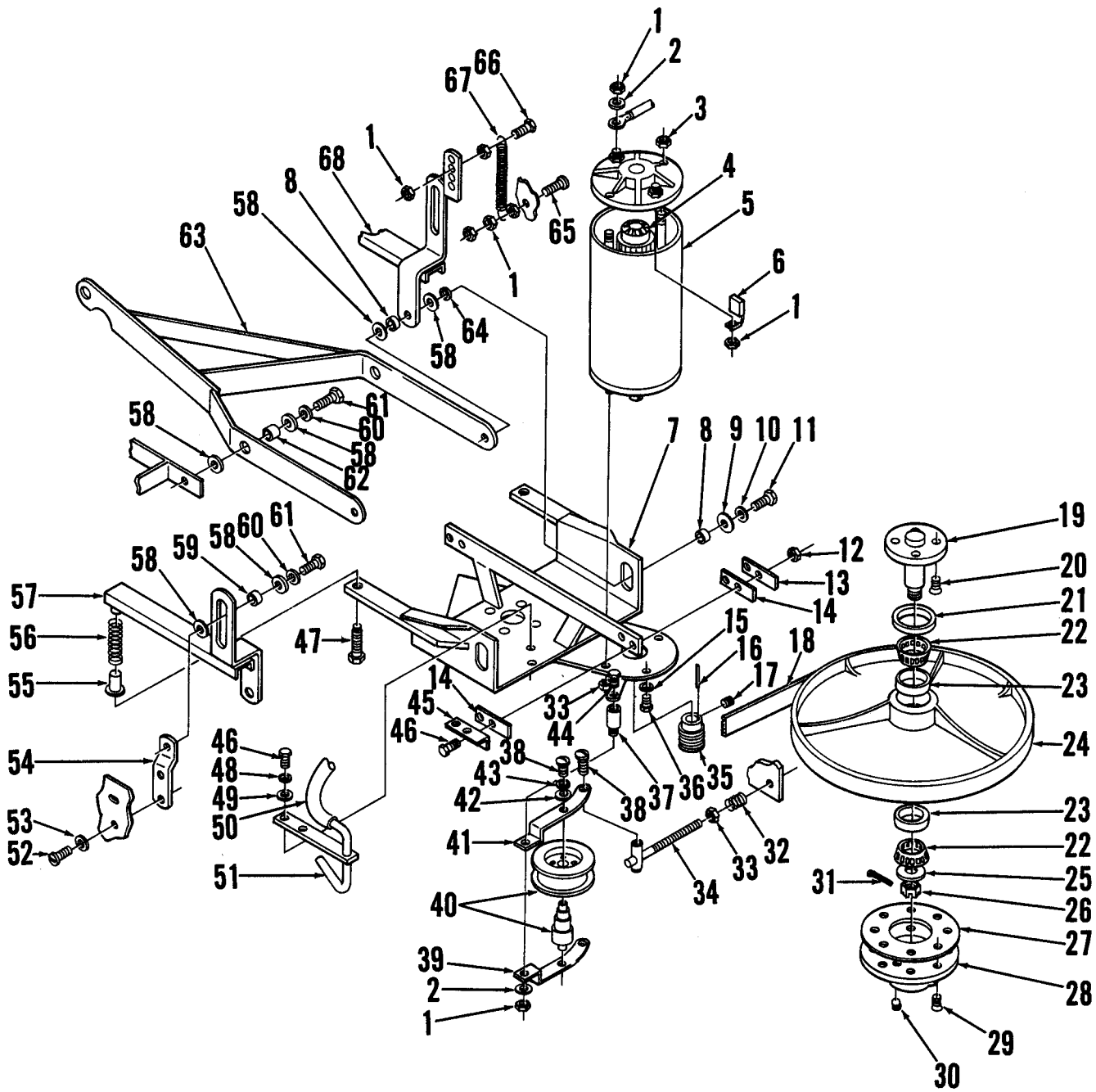
CONTROL HANDLE ASSEMBLY

Item	Part No.	Qty	Description	Item	Part No.	Qty	Description
1	514085	2	Grip	51	385721	1	Tube
2	016334	1	Decal, Solution Valve	52	328790	1	Spring
3	385344	1	Lever Rod	53	016104	1	Decal, Control Panel
4	387328	1	Circuit Breaker 230V	54		4	#8-32 x 3/8 Screw
	171369	1	Plug Button 24V, 115V	55	386119	1	Charger Receptacle 24V
5	014362	1	Decal, Reset 230V	56	054192	1	Decal, Charger 24V
6	385356	1	Bushing	57	385719	1	Panel 24V
7	385358	2	Washer		385745	4	Panel 115V, 230V
8	385906	1	Pedal Assembly	58		4	#6-32 x 7/8 Screw
9	016281	1	Decal, Raise Brush	59		4	Shakeproof Washer
10		2	1/4-20 x 3/4 Screw	60	388019	2	Switch
11	365081	1	Plate	61		4	#6 Washer
12	365082	1	Rubber Pad	62	385747	2	Nut Plate
13	365083	1	Pedal Cup	63	385749	1	Screw
14		1	1/2-13 Nut	64	379298	1	Bushing
15		1	Shakeproof Washer	65	385725	1	Handle
16	382086	1	Bushing	66	364527	1	Knob
17	398056	1	Spring Washer	67		4	Washer
18	367214	2	Washer	68	384909	1	Cable Assembly
19		1	1/2-13 x 1.00 Screw	69		2	Lock Washer
20		2	1/4-20 x 5/8 Screw	70		1	1/4-20 Nut
21		2	Lock Washer	71	358560	1	Spring
22	150142	3	Washer	72		1	1/4-20 x 3/4 Screw
23	368997	2	Bushing	73	385737	1	Strap
24		1	#10-24 x 1/4 Set Screw	74	200972	1	Sleeve Bearing
25		1	#8-32 x 5/16 Screw	75	417220	1	Bushing
26		1	Washer	76		1	1/4-20 x 1 1/2 Screw
27	385450	1	Plate	77	234079	1	Screw
28	368903	1	Valve	78	200433	1	Washer 115V
	386450	1	Valve Assembly	79	200441	1	Lock Nut 115V
29	369632	2	Elbow	80	016112	1	Decal, Switch
30	443999	1	Barb	81	370347	1	Switch 24V
31	155640	1	Barb		200340	1	Switch 115V
32	290651	2	Strain Relief		301636	1	Switch 230V
33	385743	1	Strap	82	162736	1	Strain Relief 115V
34		1	Lock Washer	83	330871	1	Cord Set 115V
35		1	3/8-16 x 1.00 Screw	84		1	#6-32 x 3/8 Screw 115V, 230V
36	290572	1	Terminal Block 230V	85	322504	1	Nut 115V, 230V
37		1	#10-24 x 3/8 Screw	86	300187	1	Belt Clip 115V, 230V
38	300152	3	Cord Clamp 230V	87		1	#10-24 x 1/2 Screw 230V
	290562	3	Cord Clamp 24V, 115V	88		2	#8-32 Nut 230V
39		2	#8 Nut	89	300540	1	Bracket 230V
40	325276	1	Washer 230V	90		1	#10-24 Nut 230V
41	325274	1	Cupped Washer 230V	91		2	#8-32 x 5/8 Screw 230V
42		1	#8-32 x 3/4 Screw 115V, 230V	92	300542	1	Cord Clamp 230V
43		1	#8-32 Nut 115V, 230V	93	300602	1	Rubber Tube 230V
44	386267	1	1/4-20 Spacer 24V	94	382331	1	Cord Set 230V
45		1	1/4-20 x 1/2 Set Screw				
46	385727	1	Lever				
47	329098	2	Nylon Bearing				
48		1	Washer				
49		2	Lock Washer				
50		5	#10-24 x 3/8 Screw				



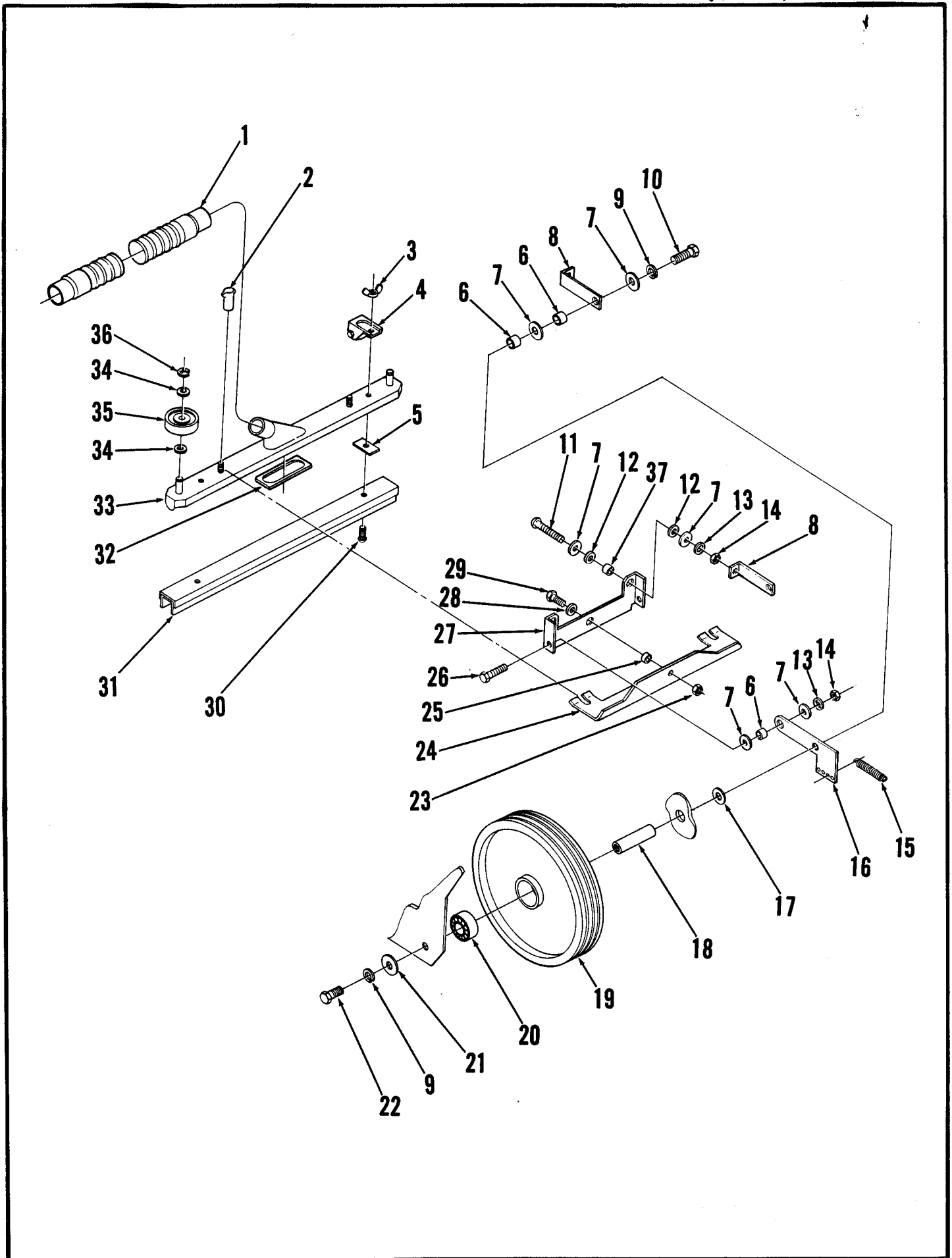
MOTOR HOUSING

Item	Part No.	Qty	Description	Item	Part No.	Qty	Description
1	030096	1	Decal, Power	41	371394	2	Solenoid
2		2	#10-24 x 7/16 Screw	42		6	5/16-18 Nut
3	385568	1	Panel 115V	43	481890	2	Cord Clamp
	385755	1	Panel 230V	44		1	#10-24 x 1/2 Screw
4	385844	1	Baffle 24V, 115V	45		1	#10-24 Nut
	385760	1	Baffle 230V	46	228416	1	Wire Wrap
5	385872	1	Sound Red. Foam 24V, 115V	47	478246	1	Cable Tie
	385702	1	Sound Red. Foam 230V	48		1	1/4-20 x 1 1/8 Screw
6	209325	1	Gasket	49	570206	1	Grommet
7	202305	1	Motor 24V	50	385055	1	Gasket
	207195	1	Motor 115V	51	570220	2	Screw
	202290	1	Motor 230V	52		2	Washer
8	384898	1	Filter	53	151092	2	Bushing
9	385874	1	Sound Red. Foam 24V, 115V	54	385054	1	Tube
	385704	1	Sound Red. Foam 230V	55	404800	1	Spring
10	385437	1	Gasket	56	385172	1	Hose Assembly
11	385850	1	Baffle 24V, 115V	57		2	#10-24 Nut
	385682	1	Baffle 230V	58		2	Lock Washer
12		1	Screw	59	171552	1	Capacitor 115V
13	385564	1	Cord Clamp 24V, 115V	60	387554	1	Varistor Assembly 115V
14		4	1/4 Washer	61		3	1/4-20 x 1/2 Screw
15		4	1/4 Lock Washer	62	157376	2	Grommet 24V
16		4	1/4-20 x 1/2 Screw				
17	016698	1	Decal, Instruction 24V				
18	361674	1	Hinge				
19		4	#10-24 x 7/16 Screw				
20	385557	1	Nut Plate				
21	382566	2	Bumper (4 on 24V)				
22	385784	1	Housing				
23	386222	4	Knob 24V				
24	206962	2	Battery 24V (Optional)				
25	386417	2	Battery Holder 24V				
26	371599	4	Gasket 24V				
27	180162	1	Rectifier 115V				
28	290564	1	Terminal Block Assembly 115V				
29		4	#10-24 Nut				
30	387426	1	Filter Assembly 230V				
31		1	Capacitor Clamp 115V, 230V				
32	755060	1	Capacitor 230V				
33		1	#10-24 x 3/8 Screw				
34		3	#10-24 x 3/8 Screw				
35	300152	1	Cord Clamp 230V				
36		1	#10 Shakeproof Washer				
37	014119	1	Decal, Ground				
38		5	1/4-20 Nut				
39		5	Washer				
40		4	1/4-20 x 1/2 Screw				



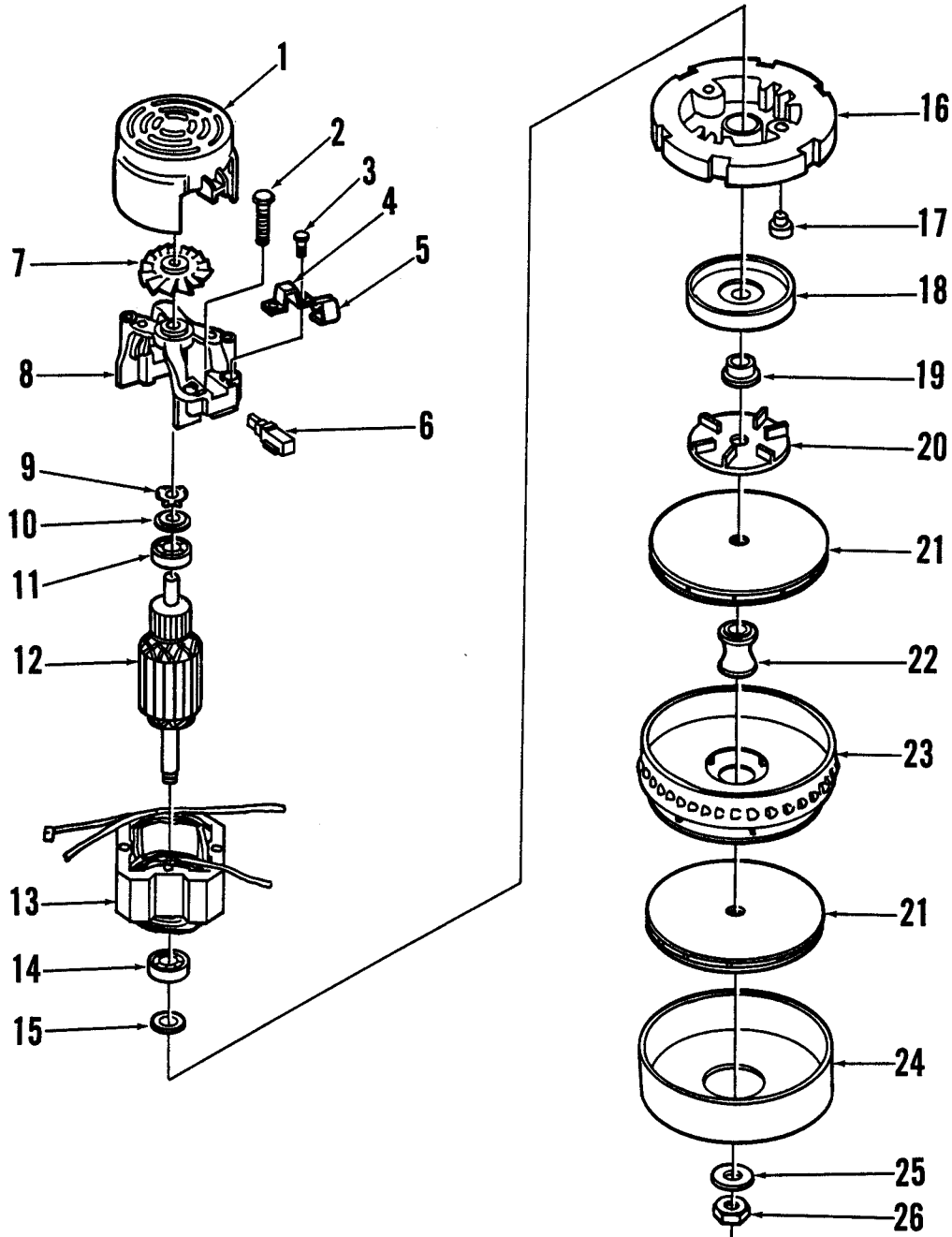
BRUSH DRIVE

Item	Part No.	Qty	Description	Item	Part No.	Qty	Description
1		10	1/4-20 Nut	41	386282	1	Top Bracket
2		3	Shakeproof Washer	42		1	#10 Washer
3		2	5/16-18 Nut	43		1	#10 Shakeproof Washer
4	382142	1	Armature 115V	44		1	3/8-16 x 1/2 Screw
5	386261	1	Motor 24V	45	382984	1	Bracket
	382138	1	Motor 115V	46		6	1/4-20 x 5/8 Screw
	387003	1	Motor 230V	47	386213	1	Adjusting Screw
6	386263	1	Brush Set 24V	48		2	Lock Washer
	171472	1	Brush Set 115V	49	151114	2	Washer
7	385914	1	Motor Bracket 24V, 115V	50	158771	1	Solution Tube
	385662	1	Motor Bracket 230V	51	386502	1	Pipe 24V, 115V
8	382086	4	Bushing		385776	1	Pipe 230V
9	367214	14	Washer	52		4	1/4-20 x 1/2 Screw
10		6	1/2 Lock Washer	53		4	1/4 Lock Washer
11		6	1/2-13 x 1.00 Screw	54	386228	2	Bracket
12		4	1/4-20 Nut	55	386216	2	Guide Bushing
13	386160	3	Plate	56	373869	2	Spring
14	386105	4	Wear Strip	57	385890	1	Bracket
15		1	3/8 Washer	58	367214	14	Washer
16	443719	1	Key	59	365030	2	Bushing
17		1	1/4-20 x 1/4 Set Screw	60		6	1/2 Lock Washer
18	171200	1	Drive Belt	61		6	1/2-13 x 1.00 Screw
19	171056	1	Shaft Stud	62	360627	2	Bushing
20		4	1/4-20 x 3/4 Screw	63	382968	1	Arm
21	171078	1	Seal	64	398056	1	Spring Washer
22	378267	2	Cone Bearing	65		1	1/4-20 x 1 3/8 Screw
23	378259	2	Bearing Cup	66		1	1/4-20 x 1 1/4 Screw
24	171376	1	Pulley Assembly	67	398606	1	Spring
25	163449	1	Washer	68	385893	1	Bracket
26	158313	1	Nut				
27	158275	1	Gasket				
28	163430	1	Drive Cap				
29		6	#12-24 x 5/8 Screw				
30	361321	1	Bullet Catch				
31		1	Cotter Pin				
32	171271	1	Spring				
33		3	5/16-18 Nut				
34	386273	1	Linkage				
35	171088	1	Sheave				
36		2	5/16-18 x 1/2 Screw				
37	386209	1	Stud Spacer 24V, 115V				
38		4	#10-24 x 3/8 Screw				
39	386284	1	Bottom Bracket				
40	171178	1	Idler Assembly				



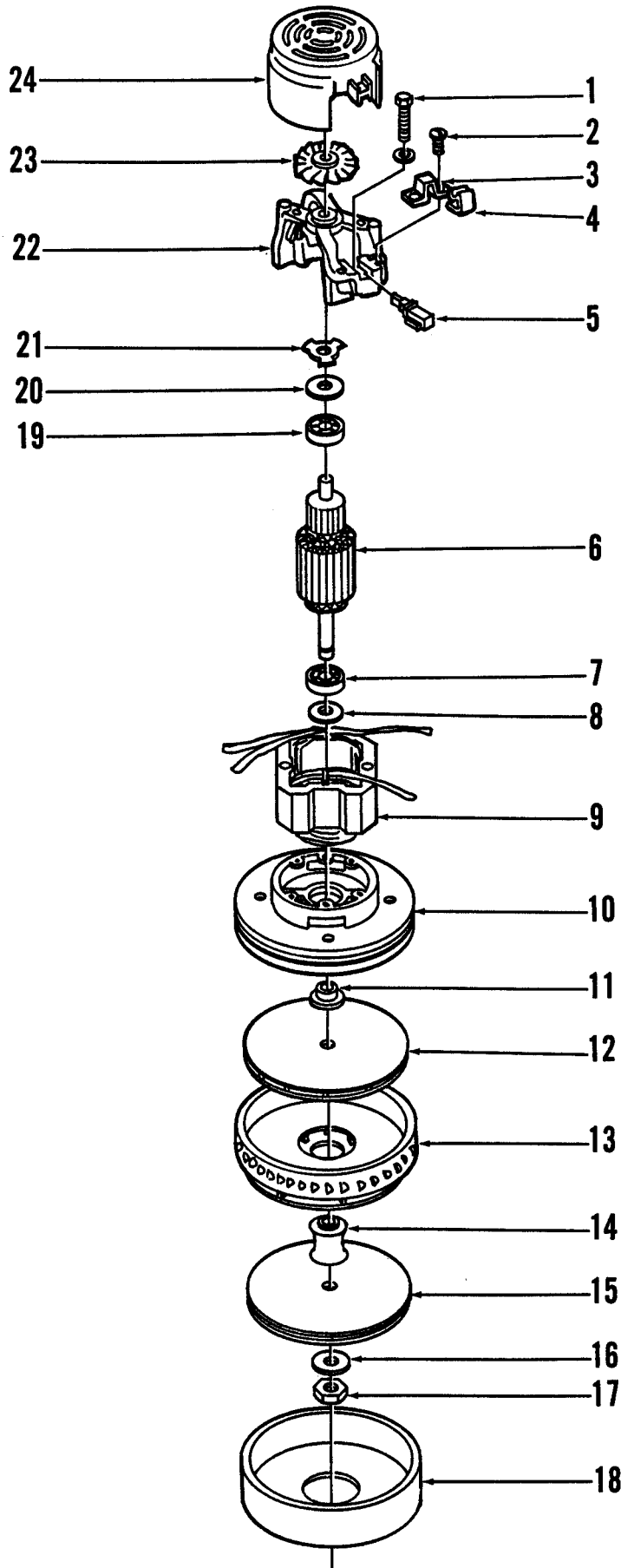
SQUEEGEE AND MOUNT

Item	Part No.	Qty	Description
1	385172	1	Hose Assembly
2	370711	2	Thumb Nut
3		2	Wing Nut
4	387376	2	Roller Assembly
5	400614	2	Gasket
6	368997	6	Bushing
7	150142	12	Washer
8	381845	2	Adjusting Arm
9		4	1/4 Lock Washer
10		2	1/4-20 x 1.00 Screw
11		2	1/4-20 x 2 1/4 Screw
12	163880	4	Spring Washer
13		4	1/4 Shakeproof Washer
14		4	1/4-20 Nut
15	382000	2	Spring
16	381840	2	Pivot Arm
17	151114	2	Washer
18	382035	2	Axle
19	365610	2	Rear Wheel
20	362352	2	Ball Bearing
21		2	Washer
22		2	1/4-20 x 3/8 Screw
23	469021	1	Nut
24	381814	1	Squeegee Mount
25	381818	1	Bushing
26		2	1/4-20 x 5/8 Screw
27	381816	1	Bracket
28		1	5/16 Washer
29		1	5/16-185 x 3/4 Screw
30		2	Screw
31	382356	1	Squeegee Cartridge TSB 590 - G9
32	400613	1	Gasket
33	382352	1	Channel
34	371009	4	Washer
35	363855	2	Wheel
36	157066	2	Retaining Ring
37	206784	2	Bushing



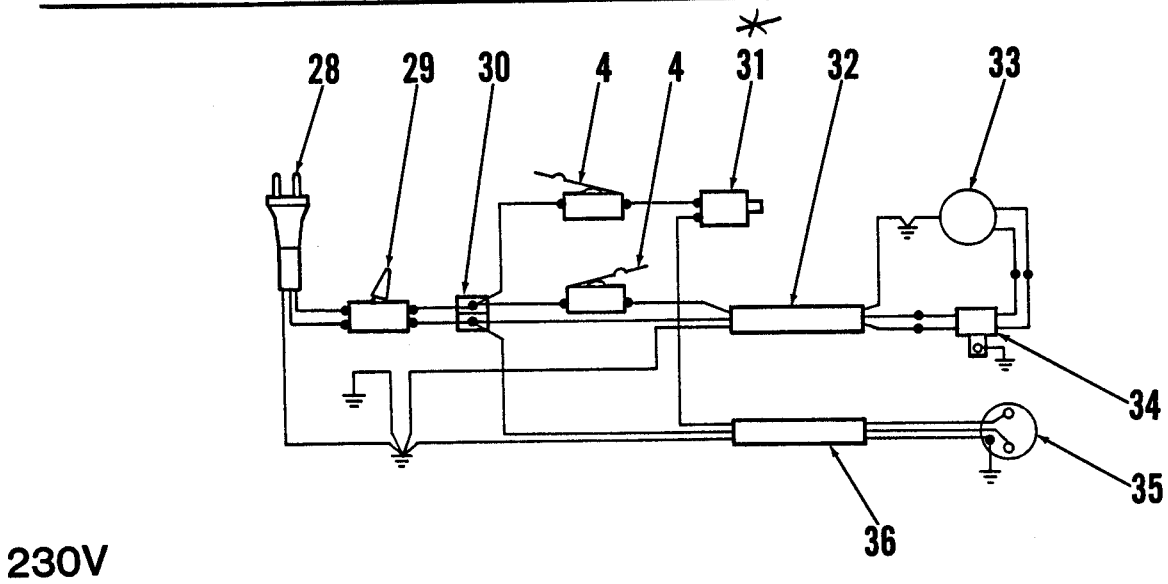
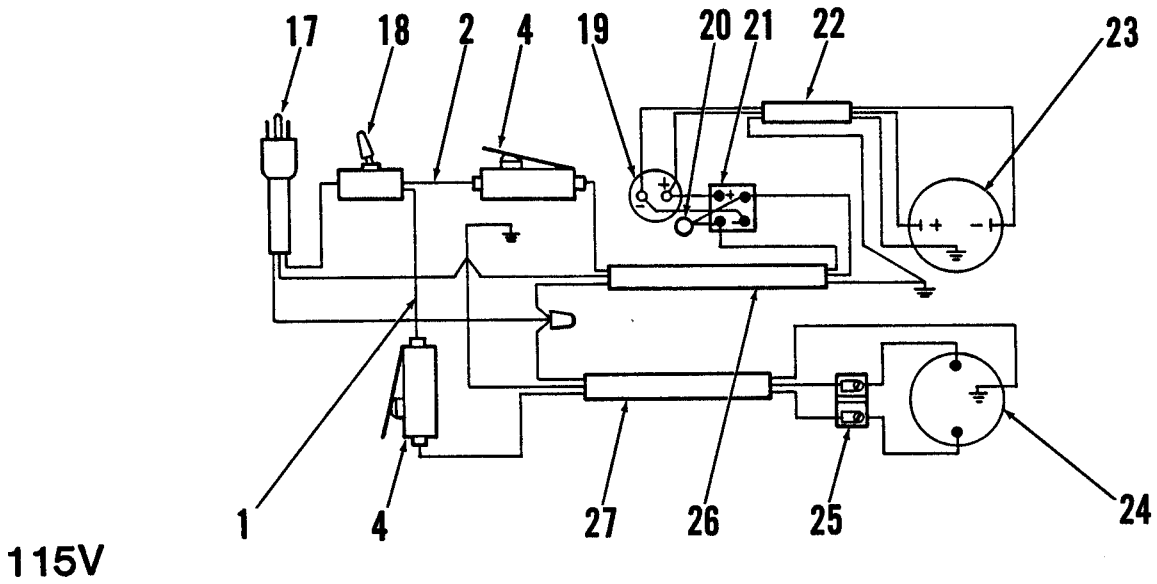
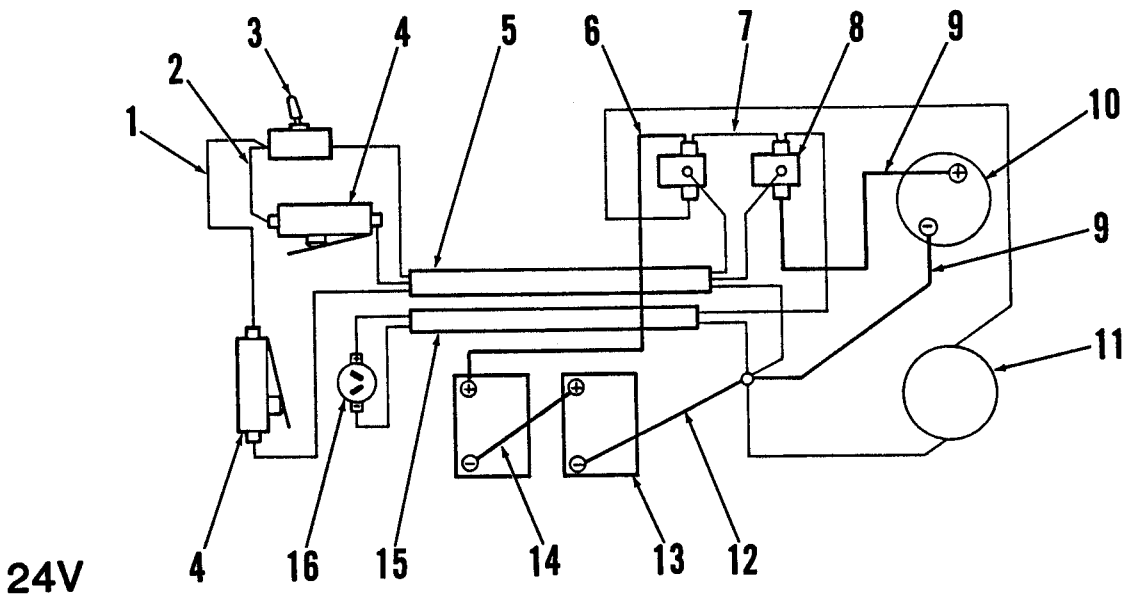
VACUUM MOTOR 24V

Item	Part No.	Qty	Description
1	208110	1	Housing
2	372574	2	Screw
3	372570	5	Screw
4	207285	2	Clamp
5	202302	2	Clip
6	372572	2	Brush
7	203591	1	Fan
8	207234	1	End Bracket
9	202843	1	Load Spring
10	249735	1	Disc
11	203587	1	Bearing
12	372590	1	Armature
13	208280	1	Field
14	228051	1	Bearing
15	203461	1	Washer
16	372578	1	Fan End Bracket
17	372580	1	Check Valve
18	372582	1	Air Seal Shell
19	372584	1	Spacer
20	372586	1	Fan
21	372588	2	Rotating Fan
22	203516	1	Spacer
23	203394	1	Stationary Fan
24	203408	1	Shell
25	203432	1	Washer
26	203440	1	Nut



VACUUM MOTOR 115V, 230V

Item	Part No.	Qty	Description
1	203494	2	Screw 230V
	203601	2	Screw 115V
2	203263	4	Screw
3	207285	2	Clamp 230V
	208132	2	Clamp 115V
4	202302	2	Clip 230V
5	203518	2	Brush Mechanism 230V
	207225	2	Brush Mechanism 115V
6	202308	1	Armature 230V
	207199	1	Armature 115V
7	228051	1	Bearing
8	202330	1	Neoprene Washer
9	208090	1	Field 230V
	207201	1	Field 115V
10	202332	1	Fan End Bracket 230V
	208183	1	Bracket & Bearing Cup 115V
11	203424	1	Spacer
12	208191	1	Rotating Fan
13	203328	1	Stationary Fan 230V
	203394	1	Stationary Fan 115V
14	203516	1	Spacer
15	202328	1	Rotating Fan 230V
	208191	1	Rotating Fan 115V
16	203432	1	Washer
	203416	1	Washer
17	203440	1	Nut
18	202326	1	Fan Shell 230V
	203408	1	Fan Shell 115V
19	203587	1	Bearing 230V
	228051	1	Bearing 115V
20	203238	1	Disc 230V
	203513	1	Disc 115V
21	202843	1	Load Spring
22	202306	1	Bracket 230V
	208140	1	Bracket 115V
23	203591	1	Fan 230V
	203589	1	Fan 115V
24	202300	1	Shell 230V
	208108	1	Shell 115V



WIRING DIAGRAMS

Item	Part No.	Qty	Description
1	385958	1	Cable Assembly
2	468314	1	Cable Assembly
3	370347	1	Main Switch
4	388019	2	Switch
5	385954	1	Cable Assembly
6	386215	1	Cable Assembly
7	454558	1	Cable Assembly
8	371394	2	Solenoid
9	386236	2	Cable Assembly
10	386261	1	Brush Motor
11	202305	1	Vacuum Motor
12	386212	1	Cable Assembly
13	206962	2	Battery (Not Included)
14	454552	1	Cable Assembly
15	385952	1	Cable Assembly
16	386119	1	Charger Receptacle
17	330871	1	Cord Set
18	200340	1	Main Switch
19	171552	1	Capacitor
20	387554	1	Varistor
21	180162	1	Rectifier
22	385974	1	Cable Assembly
23	382138	1	Brush Motor
24	207195	1	Vacuum Motor
25	290564	1	Terminal Block
26	385966	1	Cable Assembly
27	385963	1	Cable Assembly
28	382331	1	Cord Set
29	301636	1	Main Switch
30	290572	1	Terminal Block
31	387328	1	Circuit Breaker
32	385980	1	Cable Assembly
33	202290	1	Vacuum Motor
34	387426	1	RFI Filter
35	387003	1	Brush Motor
36	385984	1	Cable Assembly