

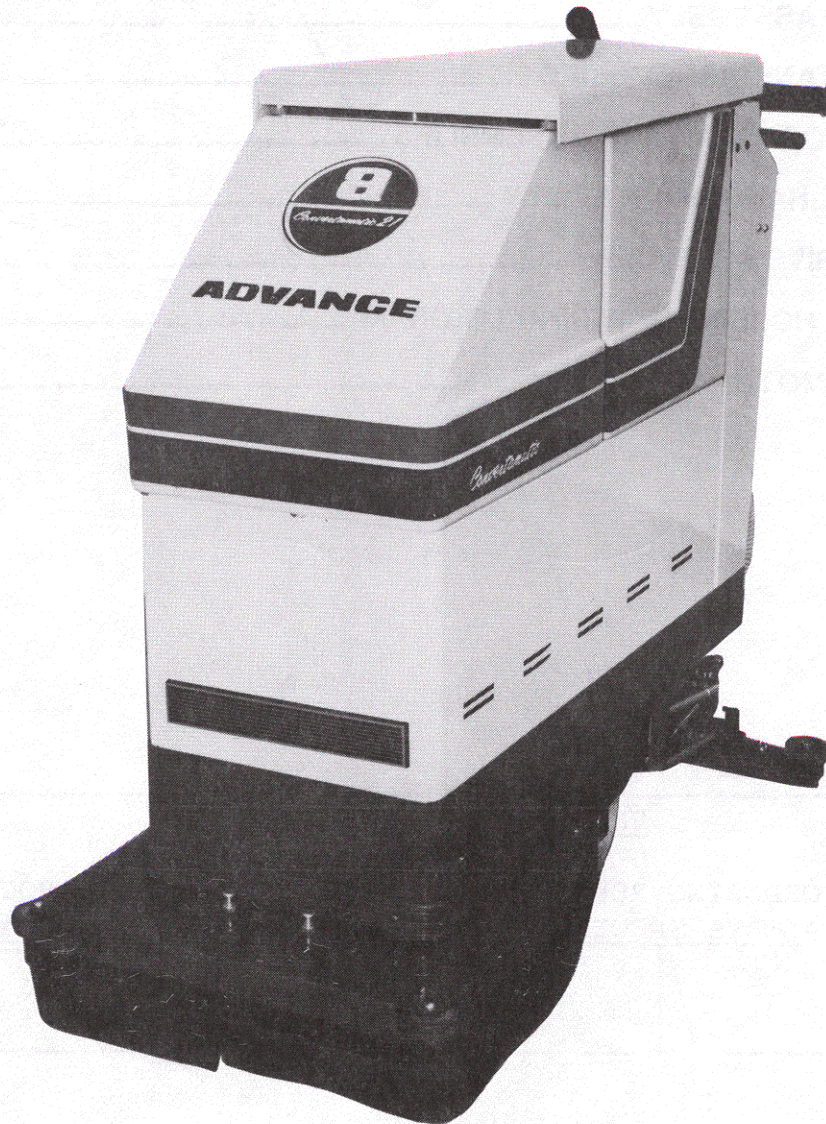
CONVERTAMATIC

MODEL 210 B

FORM NO. 042 087

DECEMBER 1982

PARTS LIST



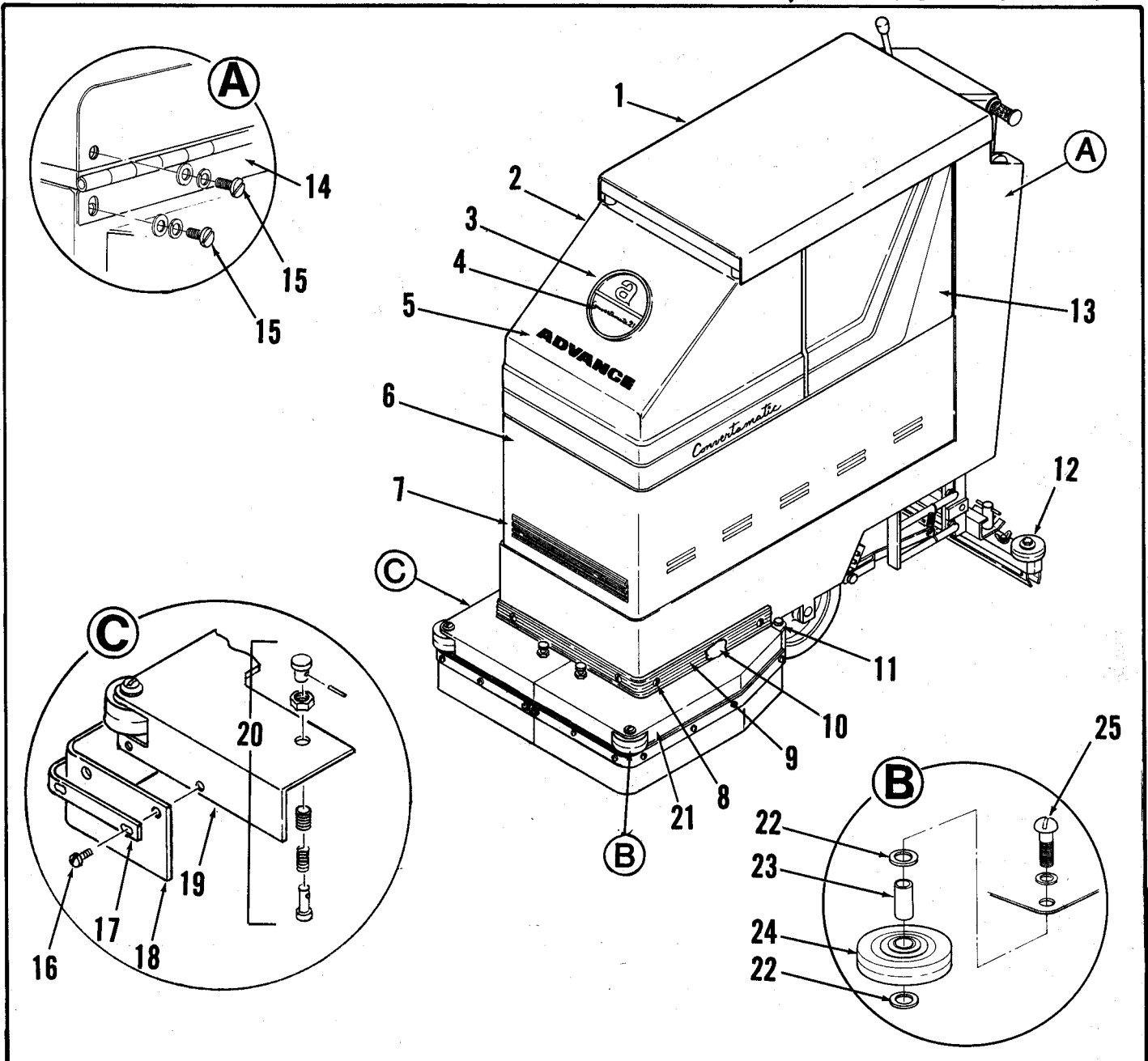
ADVANCE
MACHINE COMPANY

INTERNATIONAL HEADQUARTERS, Spring Park, Minnesota 55384 USA
EUROPE, 4 Rue Jean Engling, L - 1466 Luxembourg
CANADA, 1295 Crestlawn Drive, Mississauga, Ontario L4W 1A9

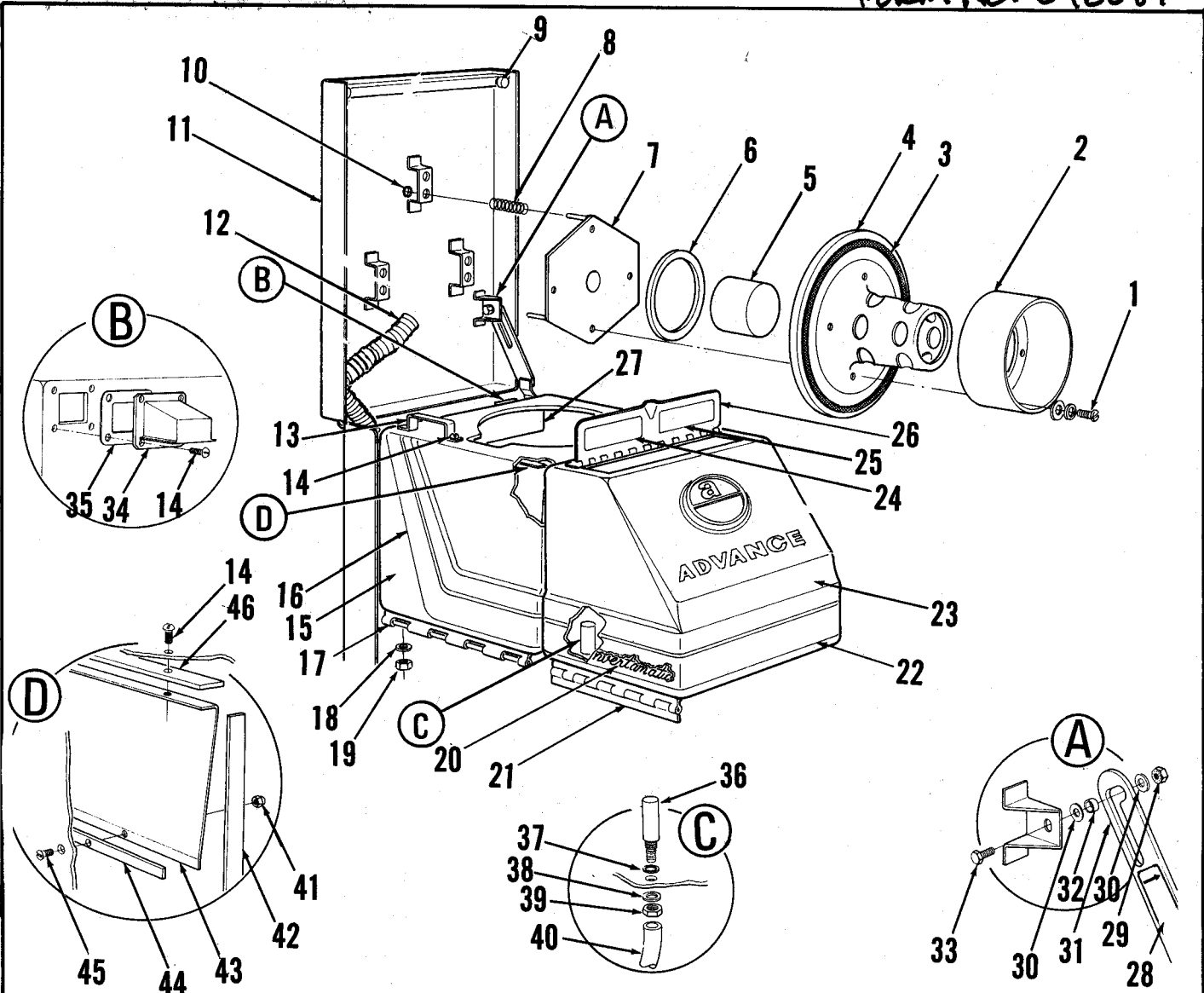


Index for Form Number 042087

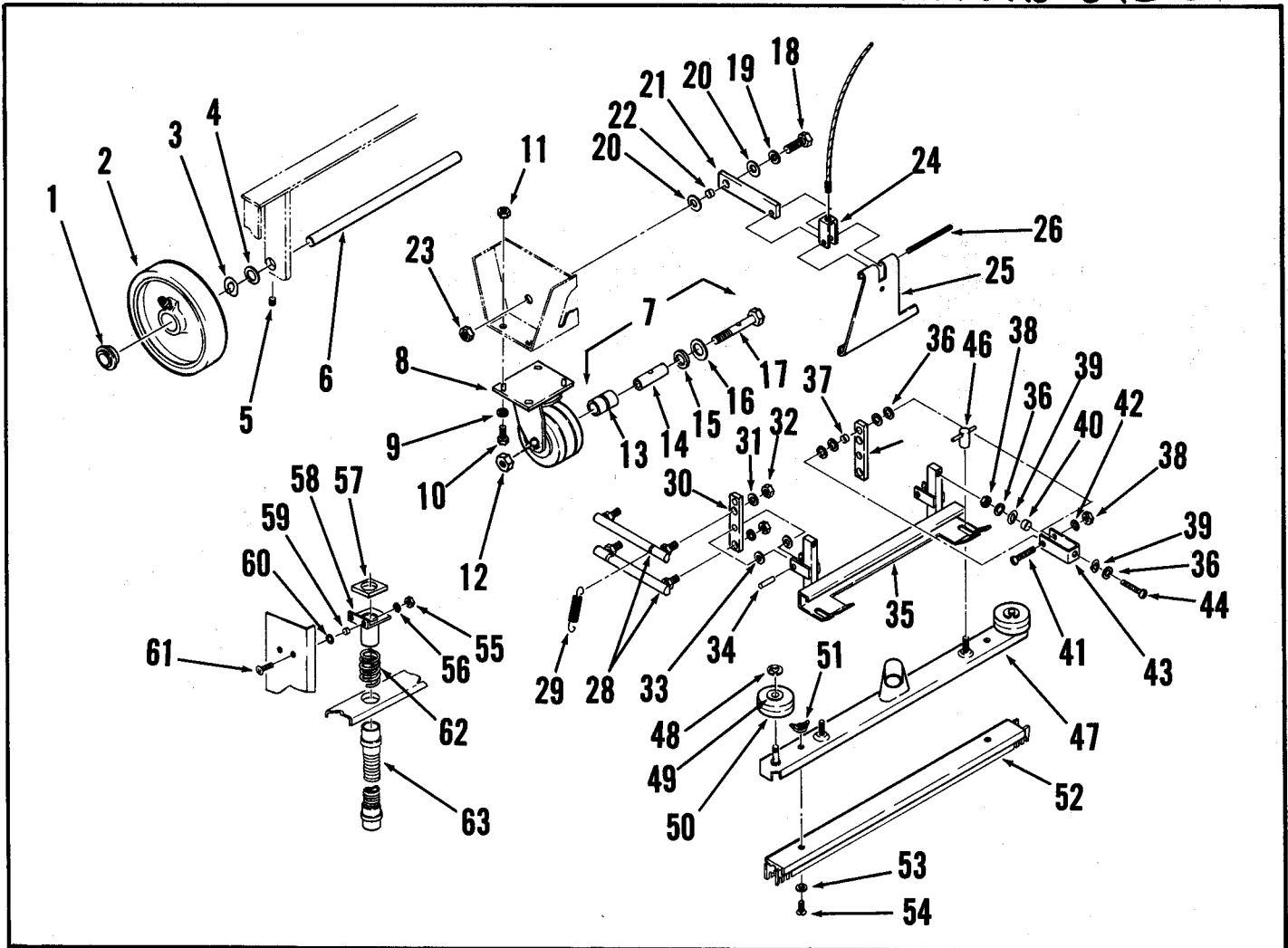
Description	Location	page
Battery Housing	D12	8
Brush Drive	D10	6
Control Handle	D8	4
Motor, Vacuum	D14	10
Outer Body	D5	1
Squeegee & Wheels	D7	3
Tanks & Hood	D6	2
Wiring Diagram	D13	9



ITEM	PART NO	QTY	DESCRIPTION	ITEM	PART NO	QTY	DESCRIPTION
1	364 060	1	HOOD ASSEMBLY	22	371 009	4	WASHER .391 x .62 x .06
2	365 189	1	TANK ASSEMBLY, SOLUTION	23	360 139	2	BUSHING, SPACER
3	024 958	1	DECAL, ADVANCE	24	363 855	2	WHEEL, BUMPER
4	016 387	1	DECAL, "CONVERTAMATIC 21"	25		2	SCREW, RD. HD. 1/4-20 x 1-3/8 W/LOCKWASHER
5	016 519	1	DECAL, ADVANCE				
6	364 101	1	HOUSING, BATTERY				
7	016 148	1	GRILL				
8		4	SCREW, PHILLIPS PAN HD. #10-24 x 1/2				
9	364 490	1	BUMPER				
10	364 492	1	STRAP, BUMPER				
11	360 147	2	PIN, HINGE				
12	364 127	1	SQUEEGEE MOUNT ASSEMBLY				
13	365 185	1	TANK ASSEMBLY, RECOVERY				
14	385 842	1	HINGE				
15		10	SCREW, PAN HD. #10-24 x 3/8 W/FLAT & LOCK WASHER				
		5	WHIZ NUT				
16	384 929	12	SCREW, BLACK #10-24 x 1/2				
17	364 570	2	STRAP				
18	364 572	2	GUARD, RUBBER				
19	364 550	1	SKIRT, RIGHT				
20	365 548	2	LOCK ASSEMBLY				
21	364 552	1	SKIRT, LEFT				

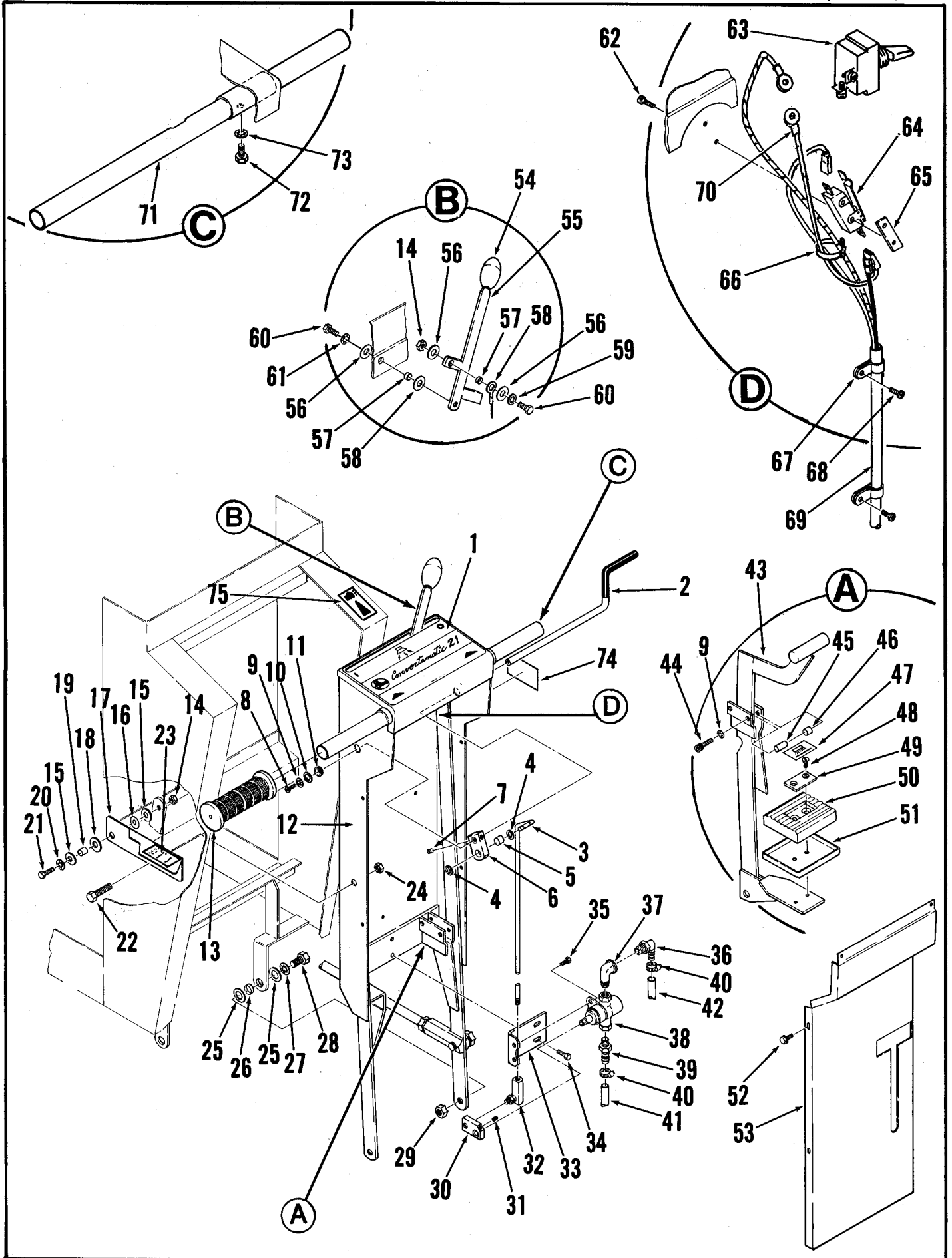


ITEM	PART NO	QTY	DESCRIPTION	ITEM	PART NO	QTY	DESCRIPTION
1		4	SCREW, PAN HD. #10-24 x 1/2 BRASS W/FL. & LK. WASHERS	31	385 868	1	LATCH
2	379 206	1	DEFLECTOR	32	163 872	1	BUSHING
3	372 718	1	GASKET 12.0 x 13.0 x .25	33		1	SCREW, HEX HD. 1/4-20 x 5/8
4	385 237	1	COVER	34	374 550	1	ADAPTOR, INLET
5	385 198	1	FLOAT	35	374 558	1	GASKET
6	372 716	1	GASKET 5.50 x 6.50 x .12	36	368 725	1	SCREEN
7	372 538	1	MOUNT	37	368 776	1	GASKET
8	379 170	3	SPRING	38		1	WASHER, FLAT 5/8
9	386 312	2	STOP, HOOD	39		1	NUT, HEX 5/8-18
10	321 125	3	RING, RETAINING EXT. 1/4E	40	364 188	1	TUBE
11	364 064	1	HOOD	41		2	NUT, ACORN #10-24
12	364 174	1	HOSE, VAC 1.5 x 75.0	42	300 314	1	GASKET RS 3/16 x 1/2 x 20"
13	365 193	2	HANDLE	43	365 201	1	PANEL
14		16	SCREW, BRASS RD. HD. 1/4-20 x 5/8	44	365 191	1	GASKET 1/8 x 1/2 x 15"
15	016 555	1	STRIP, RIGHT	45		2	SCREW, FLAT HD. #10-24 x 1/2
16	016 557	1	STRIP, LEFT	46	365 187	1	GASKET, 1/8 x 1/2 x 14.6
17	361 882	1	TANK, RECOVERY	47	151 017	1	KNOB, COVER (NOT SHOWN)
18	365 199	1	HINGE				
19		5	WASHER, SHAKEPROOF 1/4				
20	016 370	11	NUT, HEX 1/4-20				
21	365 180	2	EMBLEM				
22	016 558	1	HINGE				
23	016 558	1	STRIP				
24	360 917	1	TANK, SOLUTION				
25	016 185	1	DECAL, "LOW SUDSING"				
26	016 057	1	DECAL, "CAUTION"				
27	361 003	1	COVER				
28	385 234	1	PLATE, DEFLECTOR				
29	016 183	2	DECAL, RELEASE				
30		1	NUT, WHIZ 1/4-20				
		2	WASHER, FLAT 1/4				



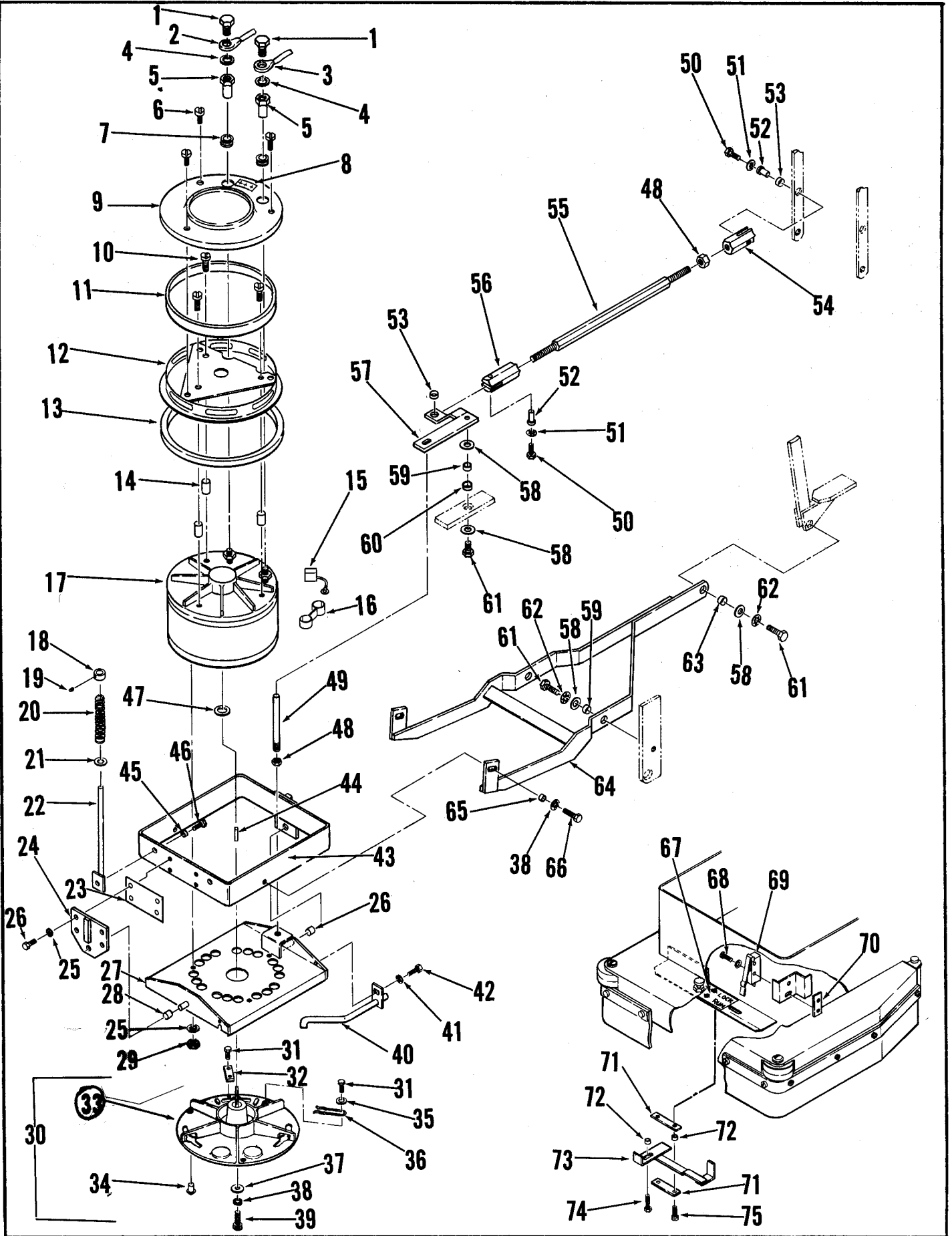
1	362 352	4	BEARING, BALL	40	206 784	2	BUSHING
2	362 336	2	WHEEL 8"	41		2	SCREW, RD. HD. 1/4-20 x 1-1/8
3	362 883	2	WASHER, SPRING	42		2	WASHER, SHAKEPROOF 1/4
4	367 192	2	WASHER	43	371 823	2	CLAMP, "U"
5		2	SCREW, SOCKET SET 1/4-20 x 1/4	44		2	SCREW, RD. HD. 1/4-20 x 1-3/4
6	360 597	1	AXLE	45	363 875	1	SQUEEGEE ASSEMBLY C/O
7	365 629	1	CASTER ASSEMBLY C/O	46	370 711	2	NUT, WING 5/16-18
8	365 661	1	FORK, CASTER 4"	47	363 878	1	CHANNEL
9		4	WASHER, LOCK 3/8	48	157 066	2	RING, RETAINING
10		4	SCREW, HEX HD. 3/8-16 x 1"	49	371 009	2	WASHER, .391 x .62 x .06
11		4	NUT, HEX 3/8-16	50	363 855	2	WHEEL, 2.50 x .812
12		1	NUT, HEX 1/2-13	51		2	WING NUT 1/4-20
13	365 718	1	BEARING, NEEDLE	52	363 882	1	CARTRIDGE, SQUEEGEE
14	365 734	1	BUSHING, SPANNER	53		2	WASHER, BRASS 1/4
15	365 726	2	SEAL, CREASE	54		2	SCREW, RD. HD. 1/4-20 x 5/8 BRASS
16	365 750	2	WASHER	55		2	NUT, HEX #10-24
17	365 645	1	BOLT, AXLE	56		2	WASHER, LOCK #10
18		1	SCREW, HEX HD. 1/2-13 x 1-1/4	57	385 055	1	GASKET
19		1	WASHER, LOCK 1/2	58	385 054	1	TUBE
20		2	WASHER, FLAT 1/2	59	151 092	2	BUSHING
21	364 122	1	BAR, LINKAGE	60		2	WASHER, FLAT #10
22	360 627	1	BUSHING	61	570 220	2	SCREW
23		1	NUT, HEX 1/2-13	62	404 800	2	SPRING, COMPRESSION
24	363 784	1	YOKE	63	550 941	1	HOSE ASSEMBLY, PICK-UP
25	364 120	1	BRACKET, LIFT				
26	364 144	1	PIN				
27	364 127	1	MOUNT ASSEMBLY				
28	365 289	4	BALL JOINT				
29	371 874	2	SPRING				
30	371 807	2	BAR, ADJUSTING				
31		4	WASHER, LOCK 5/16				
32		4	NUT, HEX 5/16				
33	150 142	4	WASHER				
34		2	PIN, ROLL 1/4 x 7/8				
35	364 135	1	MOUNT, SQUEEGEE				
36		12	WASHER, FLAT 1/4				
37	366 862	2	BUSHING				
38		4	NUT, HEX 1/4-20				
39	163 880	4	WASHER, SPRING				

TSB 590-64



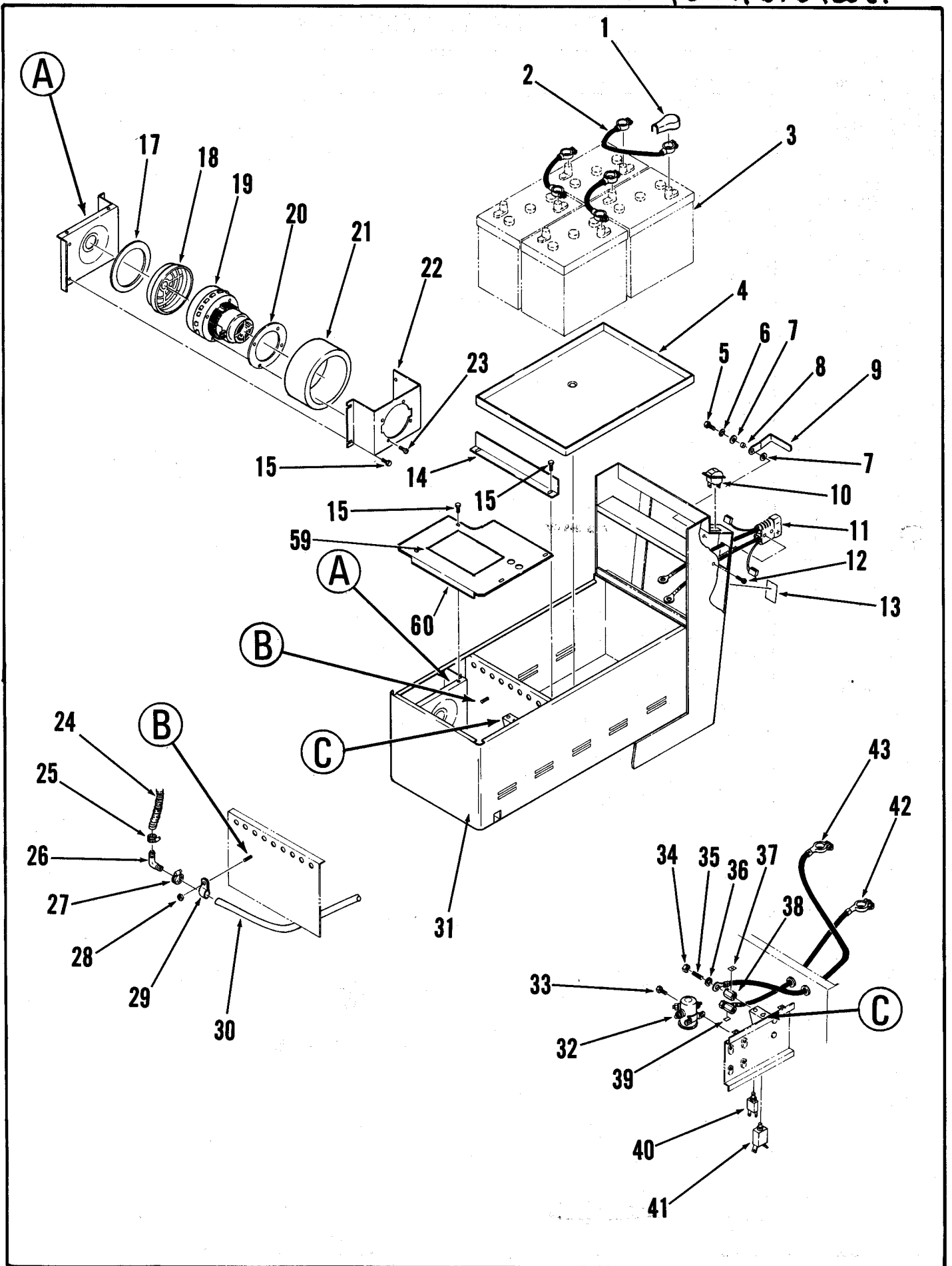
CONTROL HANDLE ASSEMBLY

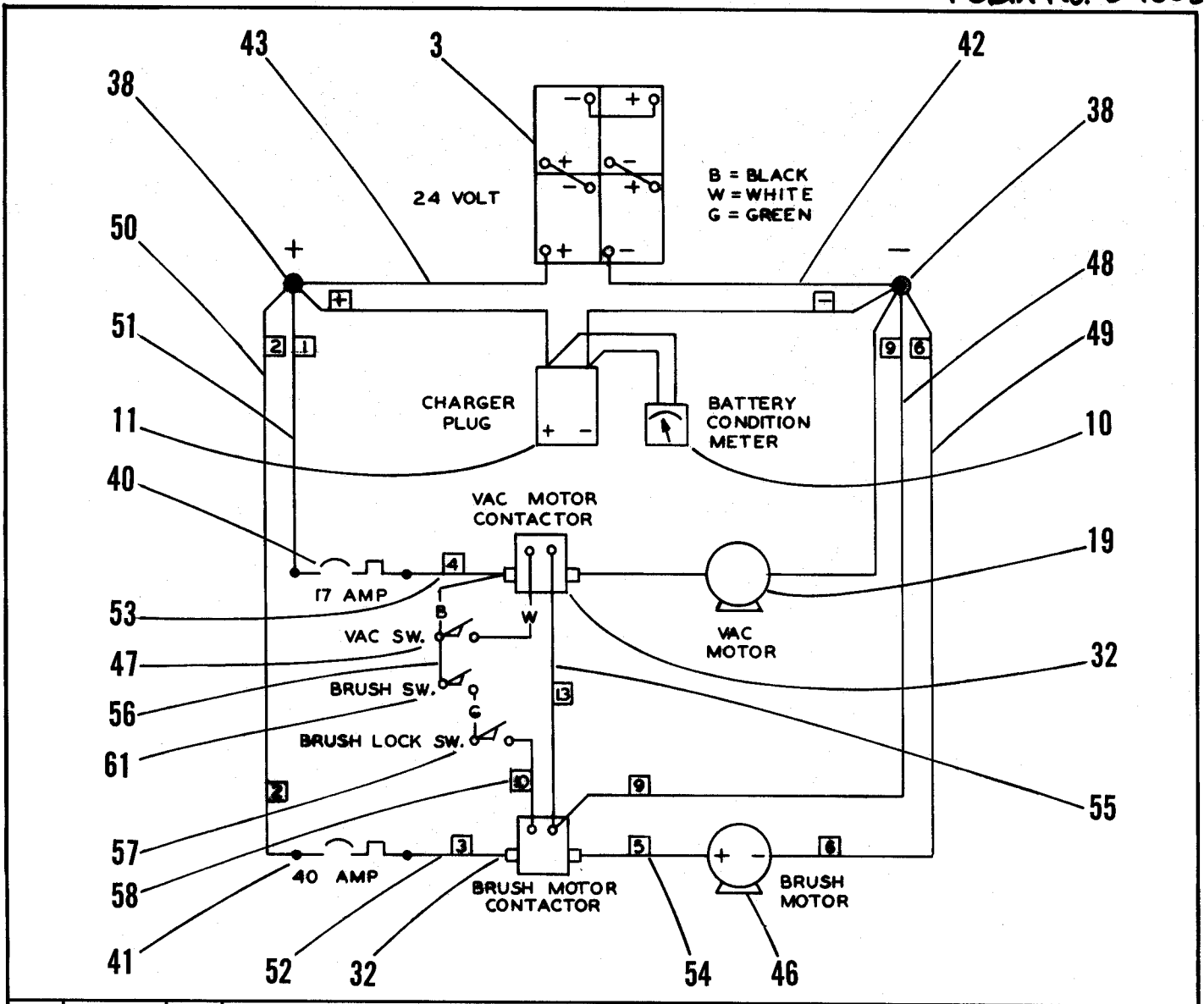
ITEM	PART NO	QTY	DESCRIPTION
1	016 930	1	DECAL, CONTROL PANEL
2	364 352	1	LEVER, SOLUTION
3	364 332	1	ROD, LIFT
4	373 797	2	RING, RETAINING 5/16 E
5	373 795	1	SLEEVE, BEARING .313
6	364 360	1	LEVER
7		1	SCREW, SOC. HD. SET 1/4-20
8		1	SCREW, PHILLIPS HD. #10-24 x 3/8
9		3	WASHER, SHAKEPROOF #10
10		1	WASHER, FLAT #10
11	329 098	2	BEARING, NYLON .375
12	364 302	1	HANDLE, CONTROL
13	514 085	2	GRIP, HANDLE
14		2	NUT, HEX 1/4-20
15	151 114	2	WASHER, FLAT
16	151 041	1	WASHER, BOWED
17	372 636	1	LATCH
18	151 068	1	WASHER, FIBER
19	368 997	1	BUSHING
20		1	WASHER, SHAKEPROOF 1/4
21		1	SCREW, HEX HD. 1/4-20 x 3/4
22		1	SCREW, HEX HD. 3/8-16 x 1-3/8
23	015 576	1	DECAL, LATCH
24		1	NUT, HEX 3/8-16
25	367 214	4	WASHER
26	360 627	2	BUSHING
27		2	WASHER, SHAKEPROOF 1/2
28		2	SCREW, HEX HD. 1/2-13 x 1"
29		2	NUT, HEX 1/2-13
30	373455	1	ARM
31		1	SCREW, SOC. HD. SET #10-24
32	373 462	1	BALL JOINT
33	364 354	1	BRACKET
34		2	SCREW, HEX HD. 1/4-20 x 1/2 HP-5
35		2	SCREW, HEX HD. #10-24 x 3/8 HP-5
36	756 739	1	BARB 3/8 x 3/8 x 90 PE
37	369 632	1	ELBOW, ST. 1/4 x 90 BR
38	368 903	1	VALVE, 2-WAY 1/4
39	373 456	1	BARB, 1/2 x 1/4 BR SP
40	219 932	2	CLAMP, HOSE
41	454 618	1	TUBE PVC .50 x 45
42	375 410	1	TUBE PVC .375 x 38
43	364 160	1	PEDAL, HAND-FOOT
44		2	SCREW, SOC. HD. CAP #10-24 x 1
45	365 089	2	BUSHING .20 x .31 x .93
46	365 088	2	BUSHING .31 x .43 x .50
47	016 281	1	DECAL, BRUSH
48		2	SCREW, FLAT HD. 1/4-20 x 1"
49	365 081	1	PLATE
50	365 086	1	PAD, RUBBER
51	365 087	1	CUP, PEDAL
52	364 454	1	PANEL
53		4	SCREW, SELF-TAPPING #6-32 x 3/8
54	364 527	1	KNOB
55	364 358	1	HANDLE
56	150 142	4	WASHER, .265 x .75 x .03
57	379 298	2	BUSHING .25 x .37 x .21
58	364 187	1	WIRE ROPE ASSEMBLY 28.2
59		1	WASHER, LOCK 1/4
60		2	SCREW, HEX HD. 1/4-20 x 5/8
61		1	WASHER, SHAKEPROOF 1/4
62		2	SCREW, PAN HD. #6-32 x 5/8
63	370 347	1	SWITCH, TOGGLE
64	171 225	1	SWITCH, SNAP SPST NC
65	385 747	1	PLATE, NUT
66	325 219	1	TIE, CABLE
67	342 319	2	CLAMP, CABLE
68		2	SCREW, PHILLIPS HD. HP-5 #10-24 x 3/8
69	364 152	1	CORD ASSEMBLY 14/3 x 3/8
70	755 590	1	WIRE ASSEMBLY #14 x 5.00
71	364 362	1	TUBE, HANDLE
72	234 079	1	SCREW
73		1	WASHER, SHAKEPROOF 5/8
74	016 112	1	DECAL, SWITCH
75	016 334	1	DECAL, SOLUTION VALVE



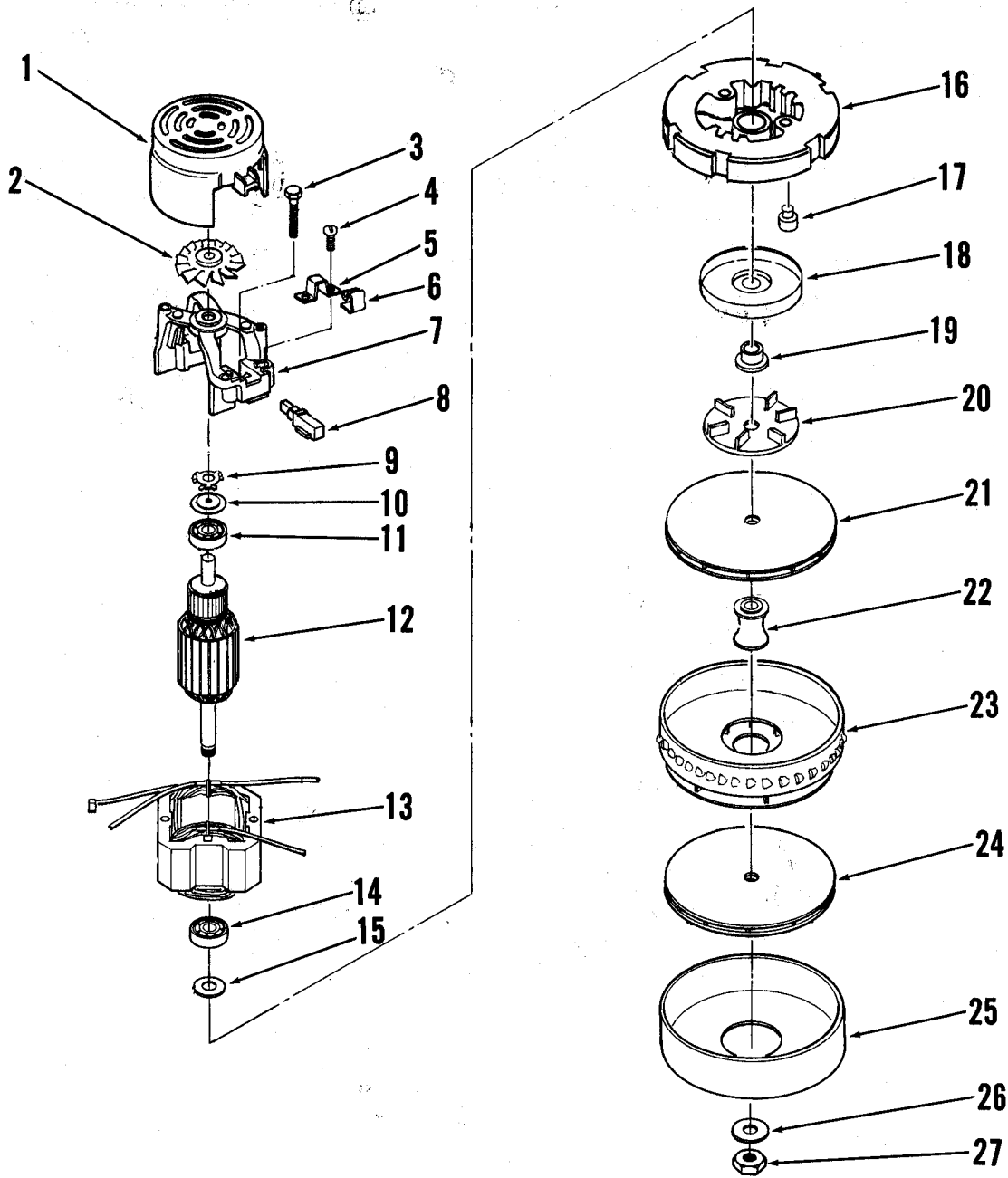
BRUSH DRIVE ASSEMBLY

ITEM	PART NO	QTY	DESCRIPTION
1		2	SCREW, HEX HD. 5/16-24 x 1/2
2	363 972	1	CABLE ASSEMBLY
3	456 458	1	CABLE ASSEMBLY
4		2	WASHER, FLAT 5/16
5	386 988	2	STANDOFF
6		3	SCREW, PAN HD. #10-24 x 1/2
7	760 212	2	GROMMET
8	016 704	1	DECAL
9	386 691	1	COVER, MOTOR BRACKET
10		3	SCREW, FLAT HD. #10-24 x 1 1/2
11	180 032	1	FILTER
12	180 008	1	BRACKET, MOTOR
13	200 915	1	GASKET RS 1/4 x 7/8 x 2.36 FT.
14	207 489	3	BUSHING .25 x .37 x .93
15	364 026	SET	BRUSH, MOTOR (1 SET OF 2)
16	180 146	2	SPRING, NEGATOR
17	364 024	1	MOTOR 18-24-36V D.C.
18	331 076	2	COLLAR, LOCKING
19		2	SCREW, SET #10-24 x 3/8
20	471 103	2	SPRING, COMPRESSION
21		2	WASHER, FLAT 3/8
22	364 382	2	ROD, STABILIZER
23	364 448	5	SHIM
24	364 540	1	PLATE, CENTERING
25		7	WASHER, SHAKEPROOF 1/4
26		4	SCREW, HEX HD. 1/4-20 x 3/4
27	364 402	1	PLATE
28	365 030	1	BUSHING .50 x .62 x .27
29		3	NUT, HEX 1/4-20
30	364 044	1	HOLDER ASSEMBLY C/O
31		3	SCREW, HEX HD. #10-24 x 3/8 MP-5
32	366 455	1	STOP, PLATE
33	364 042	1	HOLDER, BRUSH
34	361 321	1	CATCH, BULLET
35	151 114	1	WASHER
36	366 463	1	RETAINER, SPRING
37	180 200	1	WASHER, .34 x 1.00 x .12
38		1	WASHER, LOCK 5/16
39	180 196	1	SCREW, SOC. HD. 5/16-24 x 1.00
40	364 578	1	PIPE WELDMENT
41		1	WASHER, SHAKEPROOF #10
42		1	SCREW, HEX HD. #10-24 x 1/2
43	364 520	1	FRAME, MOTOR
44	740 168	1	KEY, SQUARE .187 x 1.00
45	206 784	2	BUSHING .25 x .37 x .25
46		2	SCREW, HEX HD. 1/4-20 x 3/8
47	367 192	1	WASHER .752 x 1.2 x .12
48		2	NUT, HEX 1/2 - 13
49	364 458	1	ROD
50		2	SCREW, HEX HD. 3/8-16 x 1 3/8
51		2	WASHER, SHAKEPROOF 3/8
52	366 625	2	BUSHING, FLANGE
53	366 633	2	BEARING, SLEEVE
54	366 617	1	YOKE, RIGHT HAND
55	364 428	1	ROD
56	366 609	1	YOKE, LEFT HAND
57	364 420	1	BRACKET, PIVOT
58	367 214	6	WASHER
59	360 627	3	BUSHING
60	370 878	1	BUSHING
61		4	SCREW, HEX HD. 1/2-13 x 1"
62		3	WASHER, SHAKEPROOF 1/2
63	367 206	1	BUSHING
64	364 470	1	LIFTER
65	365 088	2	BUSHING .31 x .43 x .50
66		2	SCREW, HEX HD. 5/16-18 x 3/4
67	016 934	1	DECAL, "LOCK-RUN"
68		2	SCREW, PAN HD. #6-32 x 1" W/WASHER
69	388 019	1	SWITCH, SNAP SPST NC
70	385 747	1	PLATE, NUT
71	364 486	2	FLAT
72	151 092	3	BUSHING
73	364 286	1	BRACKET, LOCK
74		1	SCREW, HEX HD. #10-24 x 1/2 HP-5 W/LW
75		1	SCREW, PHILLIPS PAN HD. #10-24 x 1" T.C.S. W/LW





ITEM	PART NO	QTY	DESCRIPTION	ITEM	PART NO	QTY	DESCRIPTION
1	372 673	8	BOOT, BATTERY POST	31	364 101	1	CASE, BATTERY
2	363 928	3	CABLE, BATTERY	32	468 358	2	SWITCH, SOLENOID 24V
3	372 730	4	BATTERY 6 VOLT 220 A.H. (OPTIONAL)	33		4	SCREW, HEX HD. 1/4-20 x 5/8 HP-5
	371 238	4	BATTERY 6 VOLT 180 A.H. (OPTIONAL)	34		2	NUT, HEX 1/4-20
	371 246	4	BATTERY 6 VOLT 140 A.H. (OPTIONAL)	35	150 274	2	STUD, 1/4-20 x 7/8
4	374 905	1	TRAY, BATTERY	36		2	WASHER, LOCK 1/4
5		1	SCREW, HEX HD. 1/4-20 x 5/8	37	016 704	1	DECAL, POSITIVE
6		1	WASHER, SHAKEPROOF 1/4	38	468 858	2	STANDOFF, INSULATED
7	150 142	2	WASHER	39	016 700	1	DECAL, NEGATIVE
8	379 298	1	BUSHING	40	171 535	1	BREAKER, CIRCUIT 17A
9	364 506	1	HANDLE	41	364 280	1	BREAKER, CIRCUIT 40 AMP
10	364 210	1	METER, VOLT DC	42	456 458	1	CABLE ASSEMBLY, NEGATIVE
11	372 972	1	CHARGER PLUG ASSEMBLY	43	363 979	1	CABLE ASSEMBLY, POSITIVE
12		2	SCREW, RD. HD. 1/4-20 x 1-1/4 W/NUT	44	361 674	1	HINGE (NOT SHOWN)
13	054 192	1	DECAL, CHARGER	45	385 414	1	NUT PLATE, HINGE (NOT SHOWN)
14	365 157	1	PLATE, STOP	46	364 030	1	MOTOR, BRUSH DRIVE
15		6	SCREW #10-24 x 1/2 HP-5	47	171 225	1	SWITCH, SNAP SPST NC
16	364 130	1	COVER	48	364 154	1	WIRE ASSEMBLY #14 x 11.00
17	385 437	1	GASKET	49	386 236	1	WIRE ASSEMBLY #6 x 12
18	384 898	1	FILTER	50	364 170	1	CABLE ASSEMBLY #6 x 10.5
19	202 305	1	MOTOR, VAC	51	364 158	1	WIRE ASSEMBLY #14 x 8
20	209 325	1	GASKET	52	364 172	1	CABLE ASSEMBLY #6 x 6.5
21	387 422	1	FILTER	53	364 156	1	WIRE ASSEMBLY #14 x 4.5
22	364 128	1	MOUNT, VAC MOTOR	54	364 206	1	CABLE ASSEMBLY #6 x 12
23	209 519	4	SCREW, SS #10-24	55	395 412	1	WIRE ASSEMBLY #14 x 4.0
24	364 188	1	TUBE	56	755 590	1	WIRE ASSEMBLY #14 X 5.0
25	756 364	1	CLAMP, HOSE SAE #4	57	388 019	1	SWITCH, SNAP SPST N.C.
26	387 020	1	ELBOW	58	364 142	1	WIRE ASSEMBLY #14 X 13
27	219 932	1	CLAMP, HOSE SAE #6	59	016 932	1	DECAL, WIRING
28		5	NUT, HEX #10-24	60	364 130	1	COVER, DUST
29	442 003	1	CLAMP, CABLE .677	61	370 347	1	SWITCH, TOGGLE SPST
30	454 618	1	HOSE				



ITEM	PART NO	QTY	DESCRIPTION	ITEM	PART NO	QTY	DESCRIPTION
1	208 110	1	HOUSING	22	203 516	1	SPACER
2	203 591	1	FAN	23	203 394	1	FAN, STATIONARY
3	372 574	2	SCREW	24	372 588	1	FAN, ROTATING
4	372 570	5	SCREW	25	203 408	1	SHELL
5	207 285	2	CLAMP	26	203 432	1	WASHER
6	202 302	2	CLIP	27	203 440	1	NUT
7	207 234	1	BRACKET, COMMUTATOR END				
8	372 572	2	BRUSH				
9	202 843	1	SPRING, LOAD				
10	249 735	1	DISC				
11	203 587	1	BEARING				
12	372 590	1	ARMATURE				
13	208 280	1	FIELD				
14	228 051	1	BEARING				
15	203 461	1	WASHER				
16	372 578	1	BRACKET, FAN END				
17	372 580	1	VALVE, CHECK				
18	372 582	1	SHELL, AIR SEAL				
19	372 584	1	SPACER				
20	372 586	1	FAN				
21	372 588	1	FAN, ROTATING				

