

# CONVERTAMATIC MODEL 21B

THIS PARTS LIST IS FOR MACHINES  
AFTER SERIAL NUMBER 059 180

# PARTS LIST



**ADVANCE**  
**MACHINE COMPANY**

INTERNATIONAL HEADQUARTERS, Spring Park, Minnesota 55384-0275  
EUROPE, 4 Rue Jean Engling, L-1466 Luxembourg  
CANADA, 1295 Crestlawn Drive, Mississauga, Ontario L4W 1A9

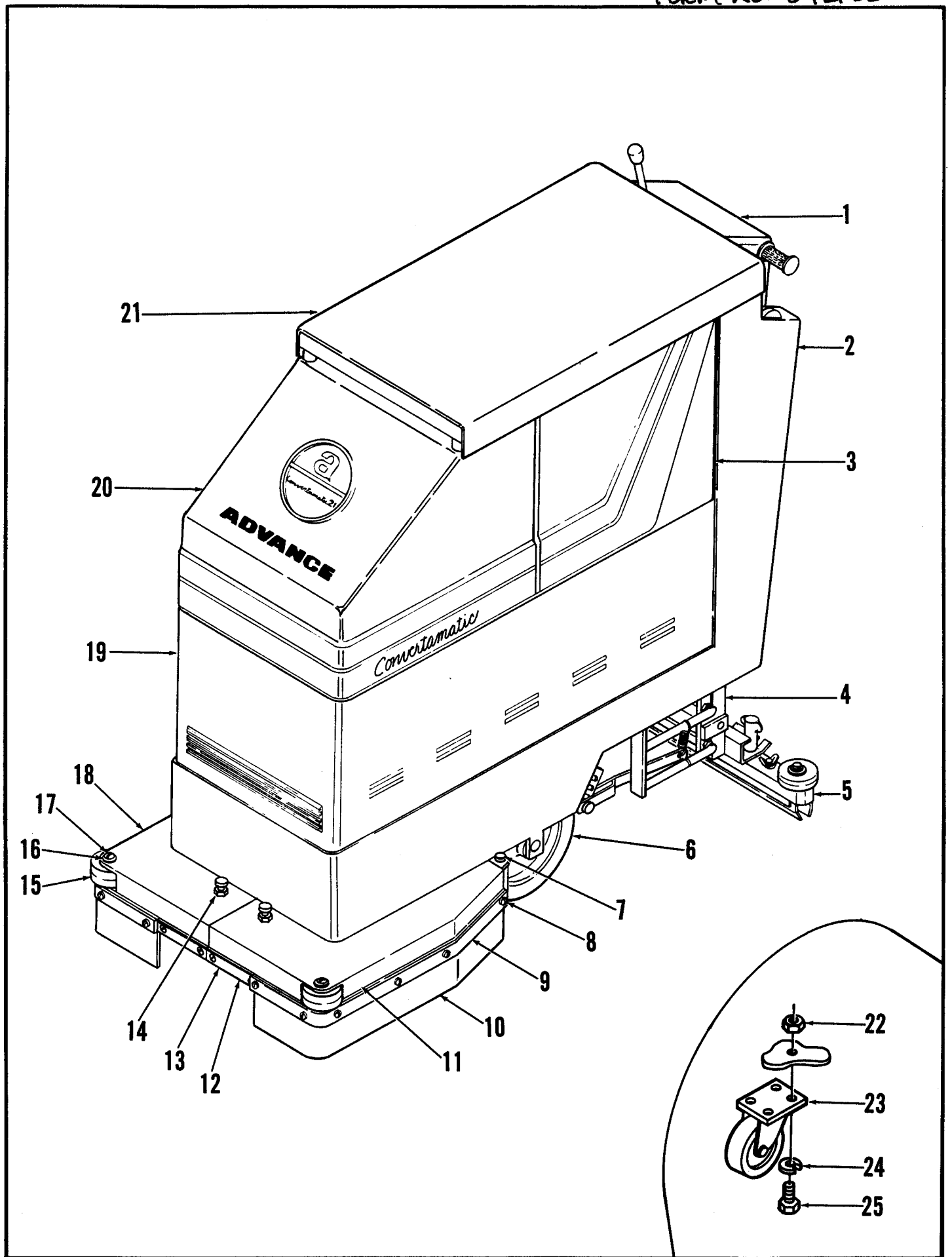
© 1985 Advance Machine Co.

FORM NO. 042 133 5/85



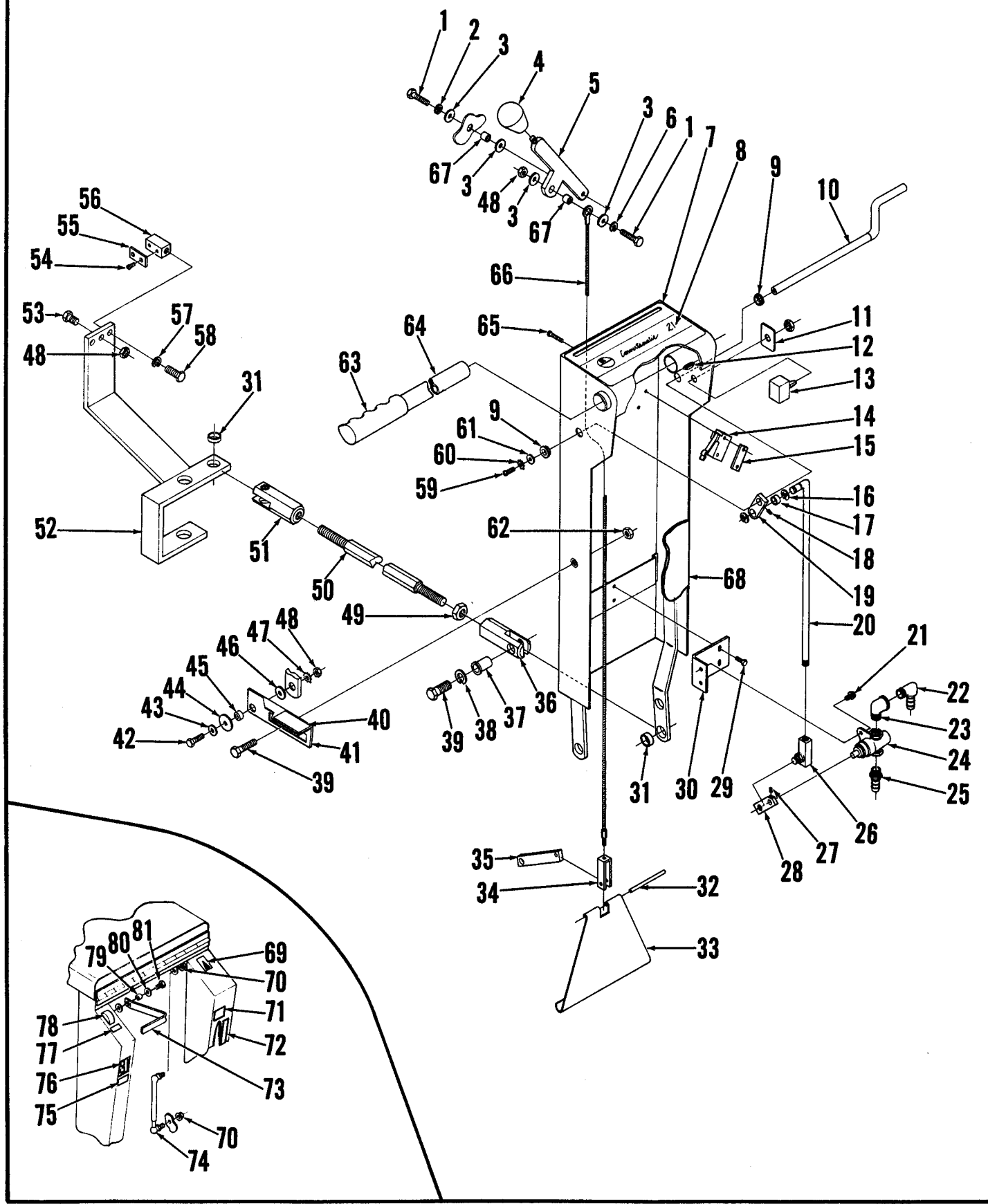
## Index for Form Number 042133

<b>Description</b>	<b>Location</b>	<b>page</b>
Brush Drive	C10	9
Control Handle	C4	3
Motor, Vacuum	D1	13
Motor, Vacuum & Hood	C8	7
Outer Body	C2	1
Squeegee	C12	11
Tanks & Battery Housing	C6	5
Wiring Diagram	D3	15



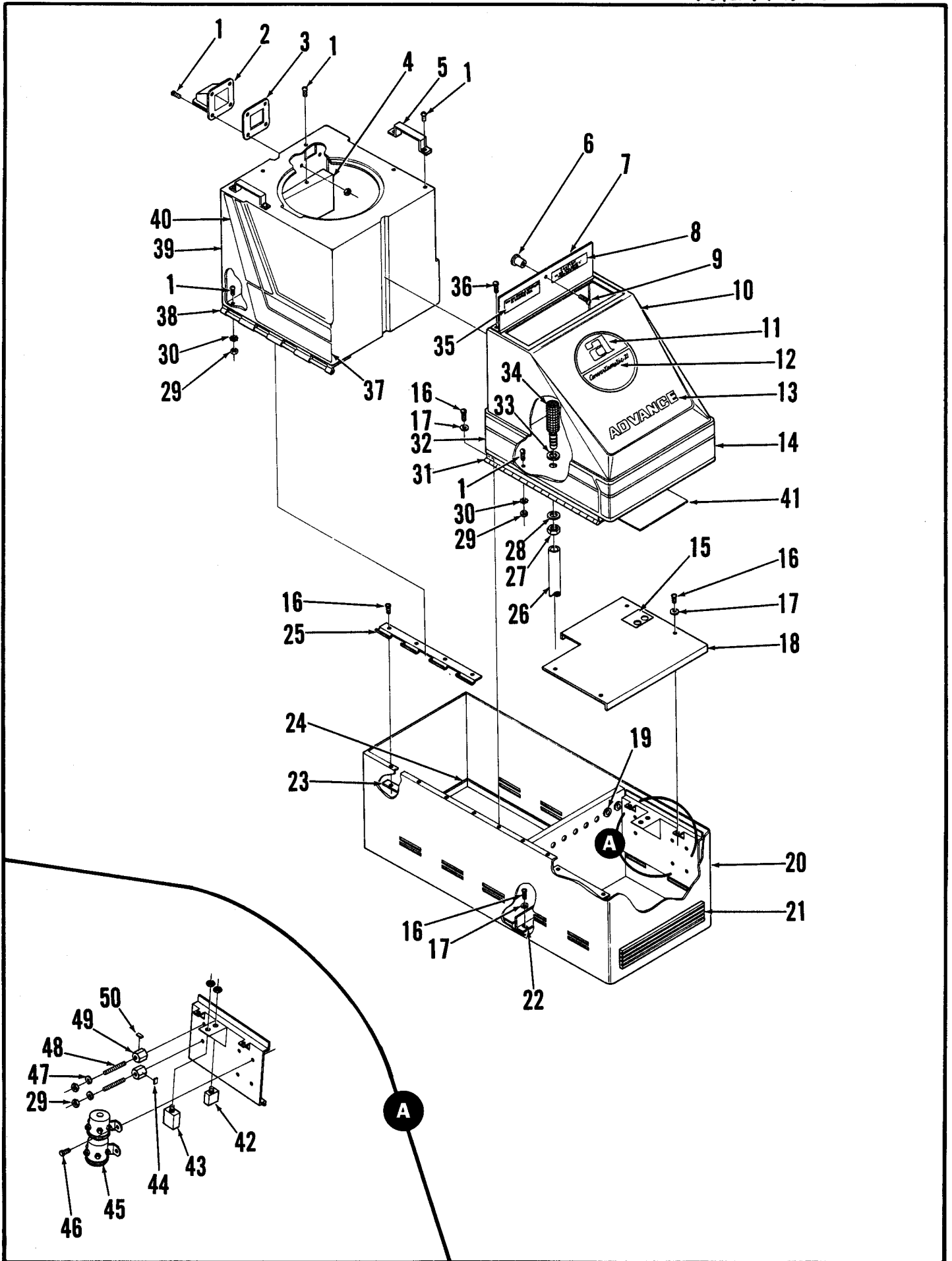
## HOUSING ASSEMBLY

Item	Part No.	Qty	Description
1	365540	1	Control Handle Assembly
2	365510	1	Chassis
3	365185	1	Recovery Tank Assembly
4	364127	1	Mount Assembly
5	363875	1	Squeegee Assembly
6	362336	2	Wheel
7	360147	2	Pin, Hinge
8	381351	16	Screw
9	372447	2	Strap
10	377872	2	Guard, Splash
11	364266	1	Skirt, Left
	364231	1	Brush Skirt Assembly, Left
12	364215	2	Strap Bumper
13	364223	2	Bumper, Front
14	365548	2	Lock Assembly
15	363855	2	Wheel, Bumper
16	371009	4	Washer
17		2	Screw 1/4-20 x 1 1/2
	360139	2	Spacer
18	364274	1	Skirt, Right
	364258	1	Brush Skirt Assembly, Right
19	365520	1	Battery Housing Assembly
20	365189	1	Solution Tank Assembly
21	365530	1	Hood Assembly
22		4	Nut 3/8-16
23	365629	1	Caster, Swivel
24		4	Washer Lock
25		4	Screw 3/8-16 x 1.00



# HANDLE ASSEMBLY

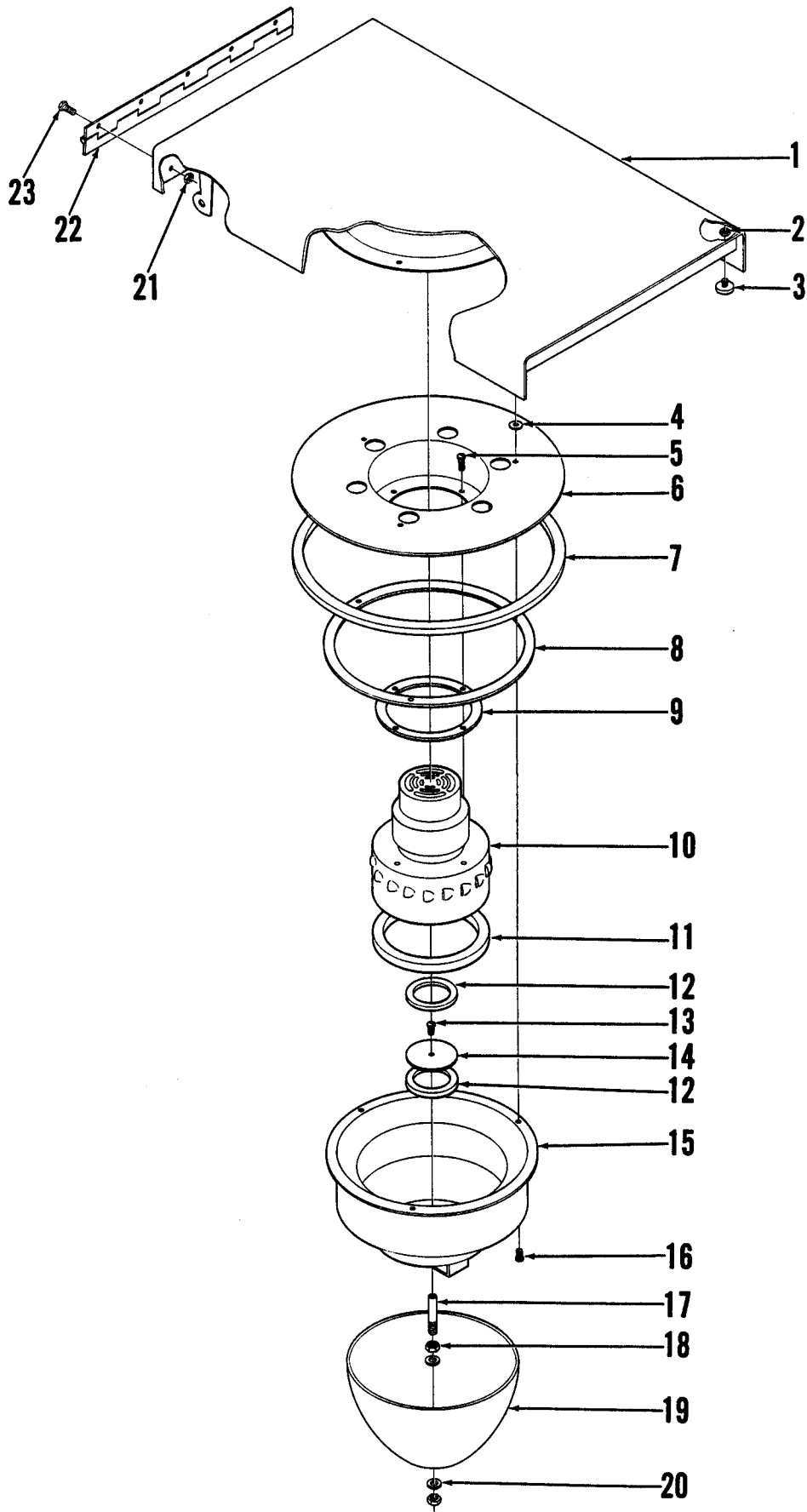
Item	Part No.	Qty	Description	Item	Part No.	Qty	Description
1		2	Screw 1/4-20 x 5/8	51	366609	1	Yoke, Left
2		1	Washer Shakeproof	52	364340	1	Lever, Propelling
3	150142	4	Washer	53		1	Screw 1/4-20 x 5/8
4	364527	1	Knob	54		4	Screw 6-32 x 1/4
5	384905	1	Handle, Lifter	55	362069	2	Wear Strip
6		1	Washer Lock	56	364401	2	Block, Pressure
7	365542	1	Handle, Control	57		2	Washer Lock
8	016930	1	Decal, Control Panel	58		2	Screw 5/16-18 x 3/4
9	329098	2	Bearing	59		1	Screw 10-24 x 3/8
10	364352	1	Lever	60		1	Washer Shakeproof
11	016616	1	Decal, Switch	61		1	Washer
12	234079	1	Screw with Shakeproof Washer	62		1	Nut 3/8-16
13	370347	1	Switch, Toggle	63	388545	2	Grip, Handle
14	388019	1	Switch, Snap	64	364362	1	Tube
15	385747	1	Nut Plate	65		2	Screw 6-32 x 7/8
16	373797	2	Retaining Ring	66	364187	1	Wire Rope Assembly
17	373795	1	Bearing Sleeve	67	379298	2	Bushing
18		1	Set Screw 1/4-20	68	365558	1	Cover, Panel
19	364350	1	Lever	69	016274	1	Decal, Solution Valve
20	365554	1	Rod	70		2	Nut 5/16-18
21		2	Screw 10-24 x 3/8	71	054195	1	Decal, Brush
22	756739	1	Barb	72	055675	1	Decal, Pressure
23	369632	1	Elbow	73	364506	1	Handle Grip
24	368903	1	Valve	74	385238	1	Cylinder, Hood
25	373456	1	Barb	75	054192	1	Decal, Charger
26	373462	1	Ball Joint	76	372972	1	Charger
27		1	Set Screw 10-24	77	016114	1	Decal, Meter
28	373455	1	Arm	78	364210	1	Meter
29		2	Screw	79	368997	1	Bushing
30	364354	1	Bracket	80	150142	2	Washer
31	366633	2	Bearing	81		1	Screw 1/4-20 x 5/8
32	364144	1	Spring Pin				
33	364120	1	Bracket				
34	363784	1	Yoke				
34	364122	1	Bar				
36	366617	1	Yoke, Right				
37	366625	2	Bushing, Shoulder				
38		2	Washer Lock				
39		3	Screw 3/8-16 x 1 3/8				
40	016386	1	Decal				
41	372636	1	Handle, Latch				
42		1	Screw 1/4-20 x 3/8				
43	151114	1	Washer				
44	151068	1	Washer Fiber				
45	368997	1	Bushing				
46	151041	1	Washer Bowed				
47		1	Washer Shakeproof				
48		3	Nut 1/4-20				
49		2	Nut 1/2-13				
50	364428	1	Rod, Drive				



## BATTERY HOUSING AND TANKS

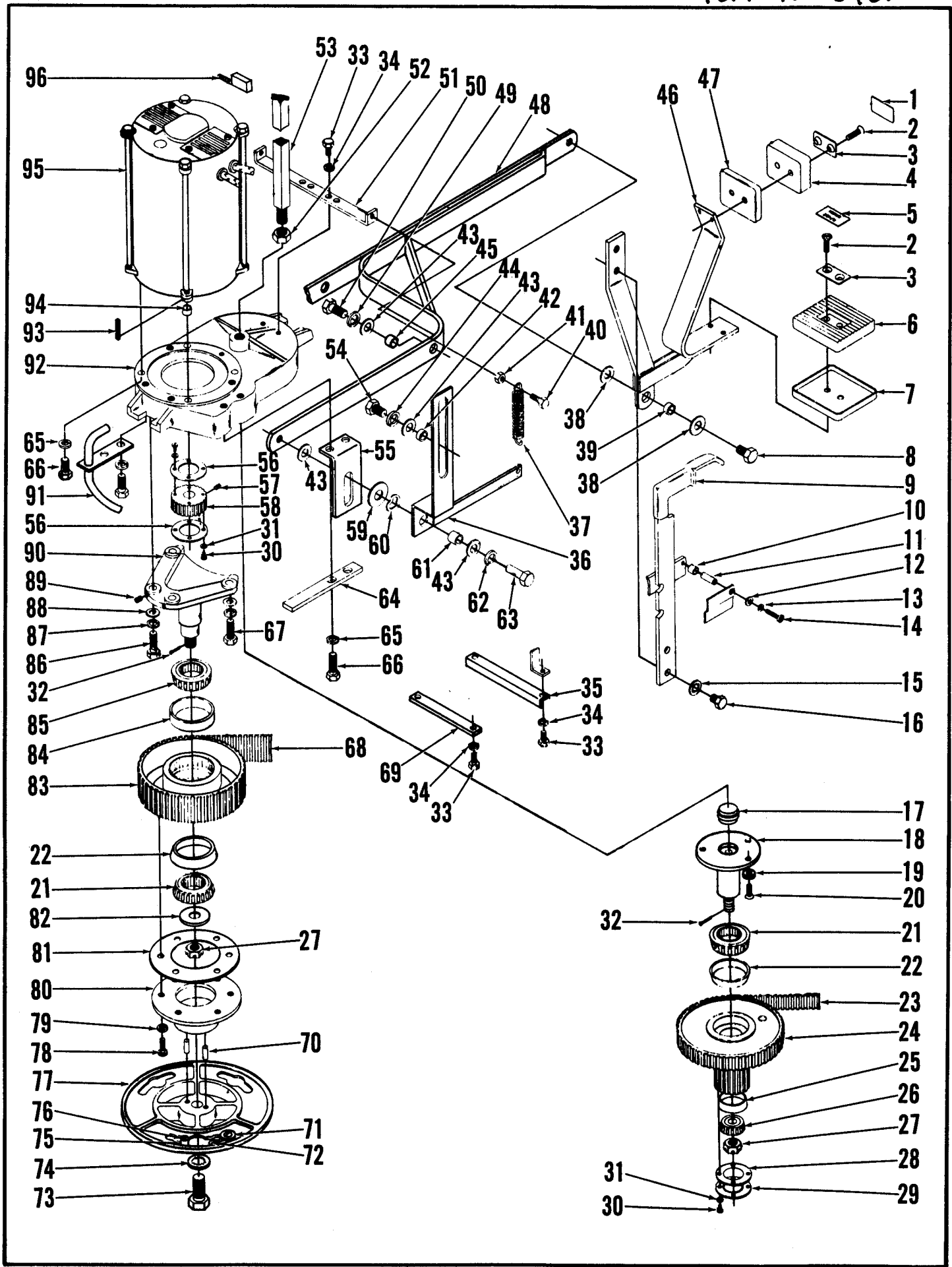
Item	Part No.	Qty	Description
1		31	Screw 1/4-20 x 5/8 Brass
2	374550	1	Inlet, Adapter
3	374558	1	Gasket
4	385234	1	Plate, Deflector
5	365193	2	Handle, Tank
6	151017	1	Knob
7	361003	1	Cover
8	016057	1	Decal, Caution
9		1	Screw #10-24 x 5/16
10	360917	1	Solution Tank
11	024958	1	Decal, Advance
12	016387	1	Decal, 21
13	016519	1	Decal, Advance
14	016988	1	Decal, Stripe
15	016122	1	Decal, Circuit Breaker
16		15	Screw #10-24 x .50
17		11	Washer
18	365518	1	Cover
19	157376	2	Grommet
20	365522	1	Battery Case
21	016148	1	Grill
22	365157	1	Stop Plate
23	385414	1	Nut Plate
24	374905	1	Tray, Plastic
25	361674	1	Hinge
26	364181	1	Hose
27		1	Nut 5/8-18
28		1	Washer
29		32	Nut 1/4-20
30		20	Washer Shakeproof
31	365180	1	Hinge
32	016976	2	Decal, Stripe
33	368776	1	Gasket
34	368725	1	Screen, Filter
35	016185	1	Decal, Low Sudsing
36		3	Screw 10-24 x 1/2
37	016980	1	Decal, Right
	016986	1	Decal, Left
38	365199	1	Hinge
39	361882	1	Recovery Tank
40	016990	1	Decal, Stripe Right
	016992	1	Decal, Stripe Left
41	016932	1	Decal, Wiring
42	364294	1	Circuit Breaker 45A
43	171535	1	Circuit Breaker 17A
44	016700	1	Decal, Negative
45	468358	2	Solenoid
46		4	Screw 1/4-20 x .50
47		2	Washer Lock
48	454376	2	Stud
49	469858	2	Stand-Off
50	016704	1	Decal, Positive





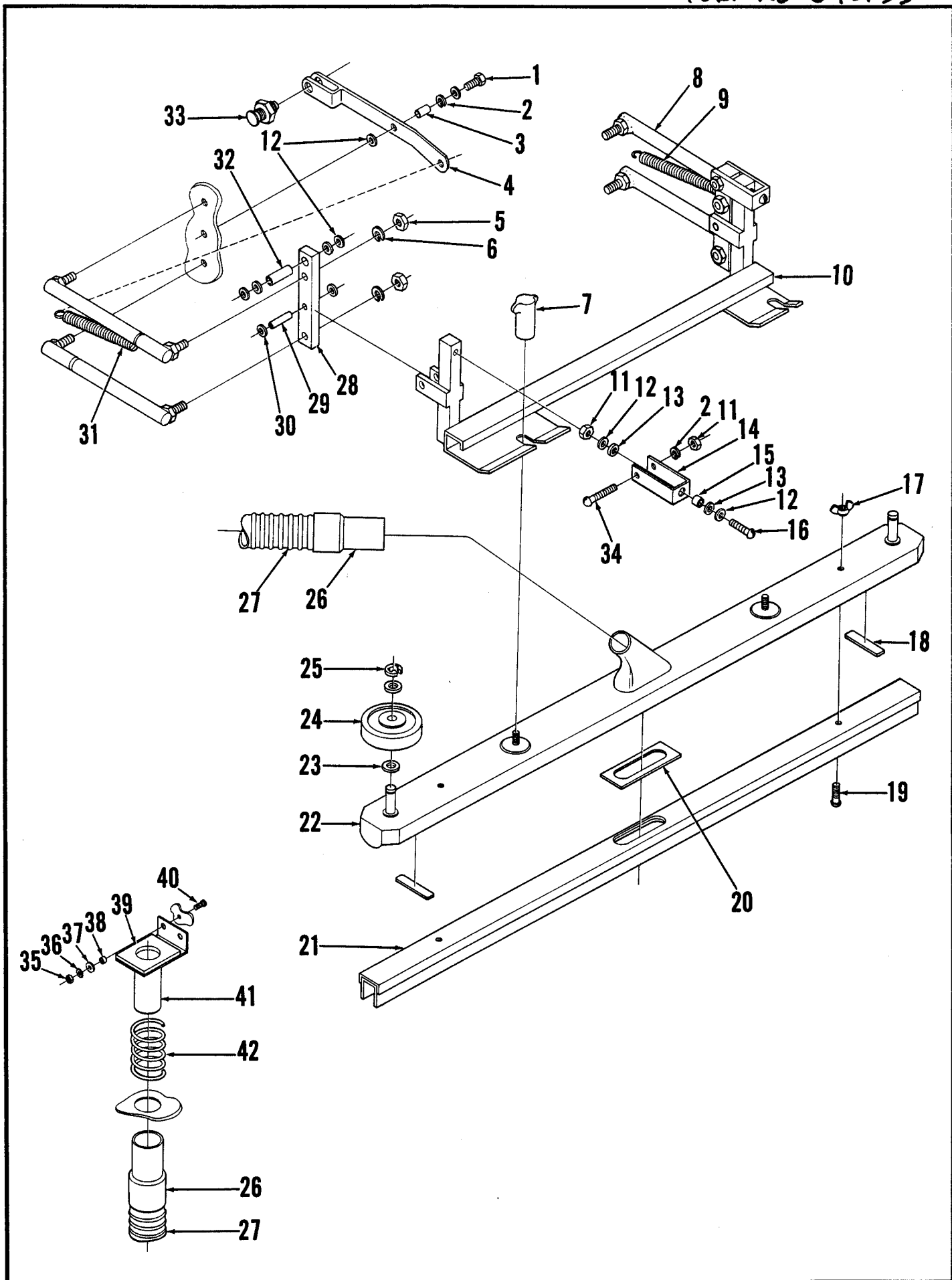
# HOOD ASSEMBLY

Item	Part No.	Qty	Description
1	365532	1	Hood
2		2	Nut 1/4-20
3	386312	2	Stop, Hood
4		3	Washer
5		4	Screw #10-24 x 3/8
6	365536	1	Deflector
7	372718	1	Gasket
8	378771	1	Gasket
9	209325	1	Gasket, Ring
10	202305	1	Motor
11	385437	1	Gasket
12	200573	2	Gasket
13		1	Screw #8-32 x 5/16
14	200549	1	Washer
15	378712	1	Mount, Motor
16		3	Screw #10-24 x 3/8
17	378739	1	Stem, Float
18		2	Nut 3/8-16
19	378720	1	Float
20		2	Washer
21		5	Nut #10-24
22	385842	1	Hinge
23		5	Screw #10-24 x .38



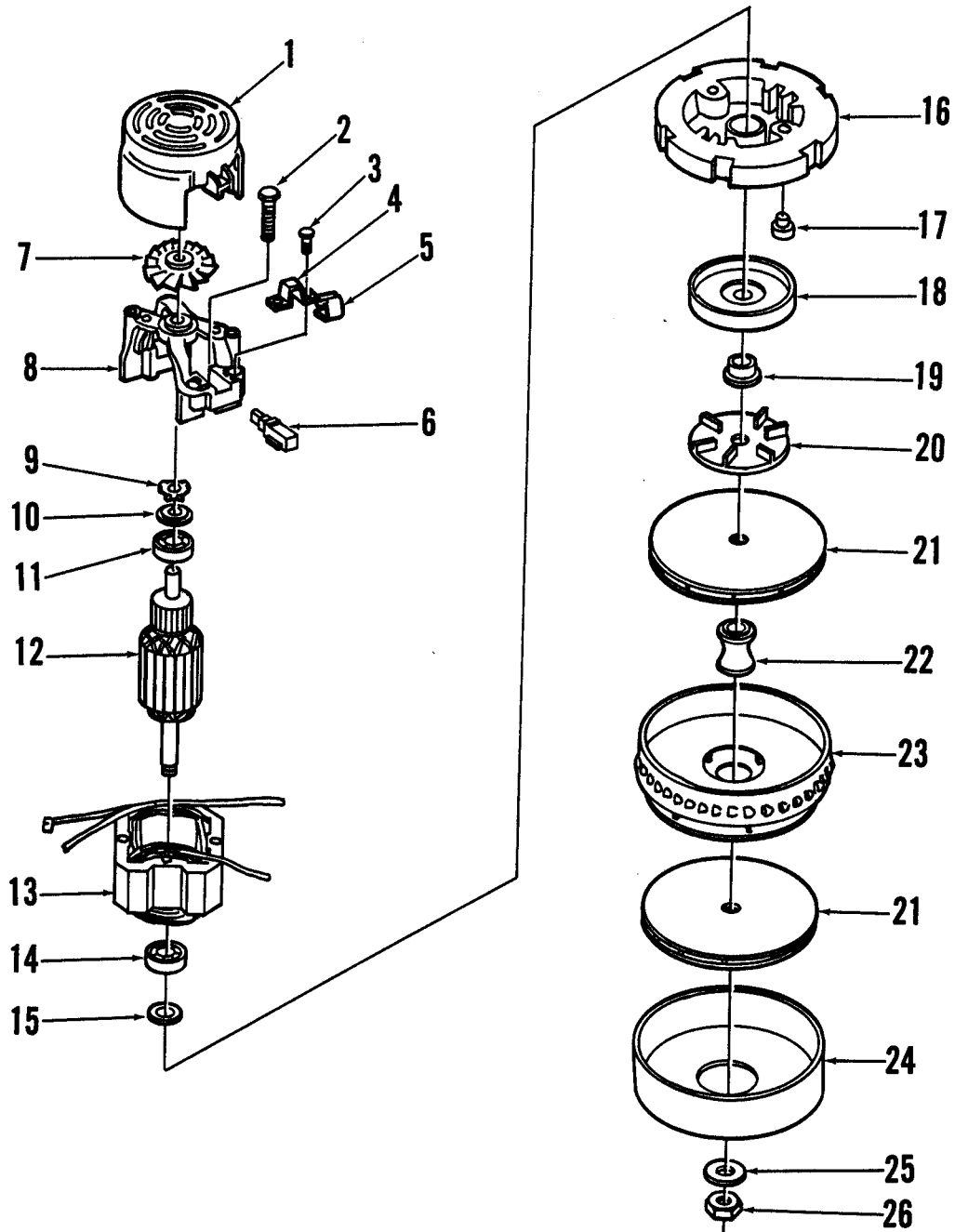
## DRIVE UNIT AND GEAR CASE

Item	Part No.	Qty	Description	Item	Part No.	Qty	Description
1	016280	1	Decal, Brush	51	365025	1	Bracket
2		4	Screw 1/4-10 x 3/4	52		1	Nut 5/8-18
3	365081	2	Plate	53	362622	1	Bar
4	365082	1	Pad, Rubber	54		2	Screw 1/2-13 x 3/4
5	016281	1	Decal, Brush	55	365092	2	Bracket
6	365086	1	Pad, Rubber	56	158119	2	Washer
7	365087	1	Cup, Pedal	57		1	Screw 10-24 x 3/8
8		1	Screw 1/2-13 x 3/4	58	158089	1	Gear Pulley
9	365077	1	Handle	59		2	Washer
10	365088	2	Bushing	60	362883	2	Washer
11	365089	2	Bushing	61	367206	2	Bushing
12		2	Washer	62		2	Washer Lock
13		2	Washer Lock	63		2	Screw 1/2-13 x 1 1/4
14		2	Screw 10-24 x 1	64	365094	1	Plate
15		2	Washer Shakeproof	65		8	Washer Lock
16		2	Screw 3/8-16 x 1/2	66		8	Screw 3/8-16 x 7/8
17	155136	1	Eccentric	67		2	Screw 3/8-16 x 1 1/4
18	155128	1	Stud Shaft	68	158364	1	Timing Belt
19	155143	3	Washer	69	364398	1	Stop Plate, Front
20		3	Screw 1/4-20 x 3/4	70	362077	2	Pin
21	378267	2	Bearing Cone	71	151114	1	Washer
22	378259	2	Bearing Cup	72	366463	1	Spring Retainer
23	158402	1	Timing Belt	73		1	Screw 5/8-18 x 1 1/2
24	157872	1	Gear Pulley Assembly	74		1	Washer Lock
25	158208	1	Bearing Cup	15	366455	1	Plate
26	158216	1	Bearing Cone	76		3	Screw 10-24 x 3/8
27	158313	2	Nut	77	363170	1	Brush Holder Assembly
28	163457	1	Gasket		363189	1	Holder
29	158153	1	Cap, Idler Gear	78		6	Screw 12-24 x 3/4
30		12	Screw 4-40 x 1/4	79		6	Washer Lock
31		12	Washer Lock	80	360775	1	Drive Cap
32		2	Cotter Pin	81	158275	1	Gasket
33		6	Screw 1/4-20 x 5/8	82	163449	1	Washer
34		6	Washer Lock	83	163386	1	Gear Pulley
35	364371	1	Stop Plate, Rear	84	158143	1	Bearing Cup
36	365009	1	Plate, Left	85	158151	1	Bearing Cone
	365017	1	Plate, Right (not shown)	86		2	Bolt
37	365068	2	Spring	87		4	Washer Lock
38		2	Washer	88	162957	4	Washer
39	365030	1	Bushing	89		2	Screw 5/16-18 x 3/8
40		2	Screw 1/2-13 x 1	90	161489	1	Stud Shaft
41		2	Nut 1/2-13	91	365246	1	Pipe Assembly
42	382086	2	Bushing	92	365106	1	Gear Unit Assembly
43	367214	8	Washer		364118	1	Housing, Gear Unit
44		2	Washer Lock	93	158135	1	Key
45	360627	2	Bushing	94	367389	1	Spacer
46	365023	1	Pedal	95	363030	1	Motor, Brush Drive
47	365083	1	Cup, Pedal	96	363074	1	Motor Brush, Set
48	364960	1	Arm				
49		2	Washer Lock				
50		2	Screw 1/2-13 x 1				



## SQUEEGEE AND MOUNT

Item	Part No.	Qty	Description
1		2	Screw 1/4-20 x .625
2		4	Washer Lock 1/4
3	206784	2	Bushing
4	371831	1	Arm, Left
	371858	1	Arm, Right (not shown)
5		4	Nut 5/16-24
6		4	Washer Lock
7	370711	2	Thumb Nut
8	365289	4	Joint, Double Ball
9	371874	1	Spring, Right Hand
10	364135	1	Squeegee Mount
11		4	Nut 1/4-20
12		14	Washer 1/4
13	163880	4	Washer Spring
14	371823	2	U-Clamp
15	206784	2	Bushing
16		2	Screw 1/4-20 x 1.75
17		2	Nut Wing
18	400614	2	Gasket
19		2	Screw
20	400613	1	Gasket
21	363882	1	Cartridge, Squeegee <b>TSB 590 - G4</b>
22	363878	1	Channel
23	371009	4	Washer
24	363855	2	Wheel
25	157066	2	Retaining Ring
26	207306	2	Cuff, Hose
27	379193	1	Hose, Pick-Up
28	371807	2	Bar, Adjusting
29		2	Roll Pin <b>TSB 392 - G12</b>
30	150142	4	Washer
31	371874	1	Spring, Left Hand
32	366862	2	Bushing
33	365548	2	Lock Assembly
34		2	Screw 1/4-20 x 1.50
35		2	Nut 10-24
36		2	Washer Lock
37		2	Washer
38	151092	2	Bushing
39	385055	1	Gasket
40		2	Screw 10-24 x 1/2
41	385054	1	Tube
42	404800	1	Spring



**VACUUM MOTOR**

Item	Part No.	Qty	Description
1	208110	1	Housing
2	372574	2	Screw
3	372570	5	Screw
4	207285	2	Clamp
5	202302	2	Clip
6	372572	2	Brush
7	203591	1	Fan
8	207234	1	End Bracket
9	202843	1	Load Spring
10	249735	1	Disc
11	203587	1	Bearing
12	372590	1	Armature
13	208280	1	Field
14	228051	1	Bearing
15	203461	1	Washer
16	372578	1	Fan End Bracket
17	372580	1	Check Valve
18	372582	1	Air Seal Shell
19	372584	1	Spacer
20	372586	1	Fan
21	372588	2	Rotating Fan
22	203516	1	Spacer
23	203394	1	Stationary Fan
24	203408	1	Shell
25	203432	1	Washer
26	203440	1	Nut



# WIRING DIAGRAM

