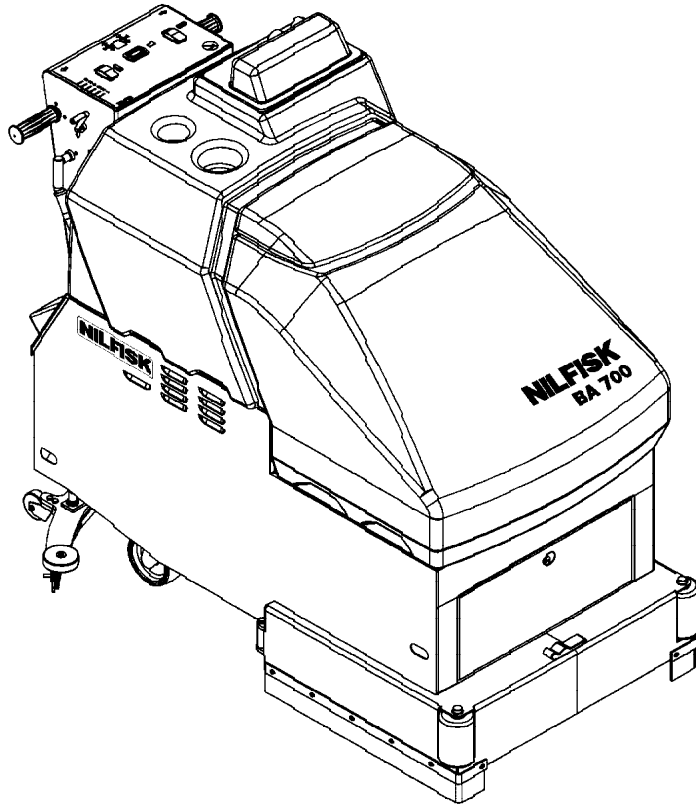


Convertamatic™ 28LX

Hydro-Retriever™ 280HD

BA 700



PARTS LIST

Advance MODELS 56392290(28LX), 56392230(280HD)

Nilfisk MODEL 56391372

All models covered in this manual are Obsolete.



**Nilfisk
Advance**

setting standards

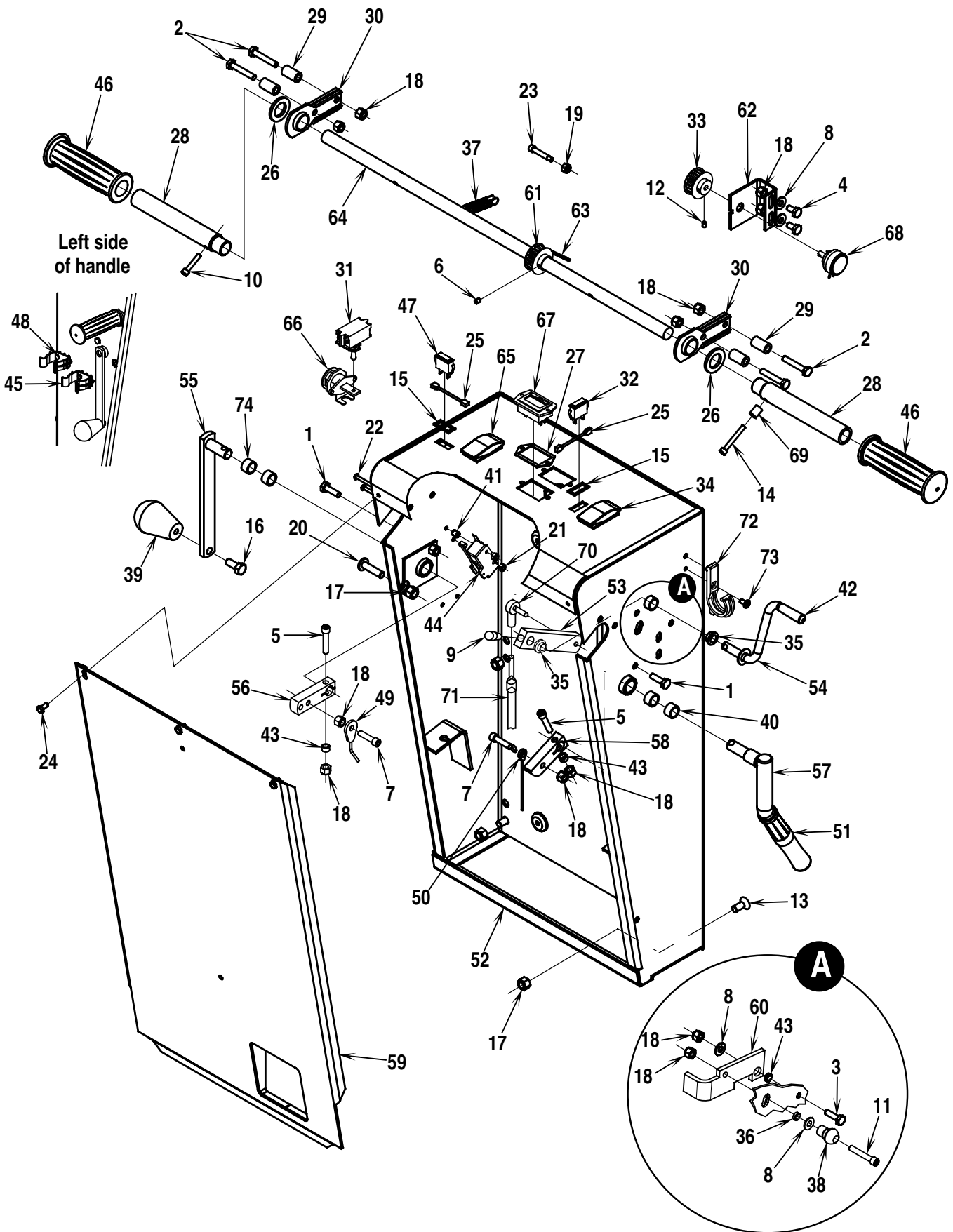
revised 11/01 FORM NO. 56042294
BOOK E SECTION 5.6.1

DESCRIPTION	PLAN
CONTROL HANDLE SYSTEM	E-5.6.1-3
ELECTRICAL PANEL-1	E-5.6.1-5
ELECTRICAL PANEL-2	E-5.6.1-7
CHASSIS SYSTEM	E-5.6.1-9
SKIRT SYSTEM	E-5.6.1-11
VACUUM MOTOR SYSTEM	E-5.6.1-13
DRIVE SYSTEM	E-5.6.1-15
BRUSH LIFT SYSTEM	E-5.6.1-17
GEARCASE (BRUSH DRIVE SYSTEM)	E-5.6.1-19
SCRUB BRUSHES	E-5.6.1-19
BRUSH DRIVE MOTOR (BRUSH DRIVE SYSTEM)	E-5.6.1-21
RECOVERY TANK SYSTEM	E-5.6.1-23
SOLUTION SYSTEM	E-5.6.1-25
SQUEEGEE MOUNT ASSEMBLY-1	E-5.6.1-27
SQUEEGEE MOUNT ASSEMBLY-2	E-5.6.1-29
SQUEEGEE ASSEMBLY-1	E-5.6.1-31
SQUEEGEE ASSEMBLY-2	E-5.6.1-33
DECAL SYSTEM (Advance)	E-5.6.1-35
DECAL SYSTEM (Nilfisk)	E-5.6.1-37
ELECTRICAL SYSTEM-1	E-5.6.1-39
ELECTRICAL SYSTEM-2	E-5.6.1-41
WIRING DIAGRAM-1	E-5.6.1-43
WIRING DIAGRAM-2	E-5.6.1-45
WIRING DIAGRAM-3	E-5.6.1-47
BRUSH / DISC SELECTOR GUIDE	E-5.6.1-48

WHEN ORDERING PARTS

- * Use the 8 digit numbers from the "Ref. No." columns in this parts list.
- * Specify the model and serial number of the machine.
- * Use the space below to record the model and serial number for future reference.

Model _____ Serial No. _____

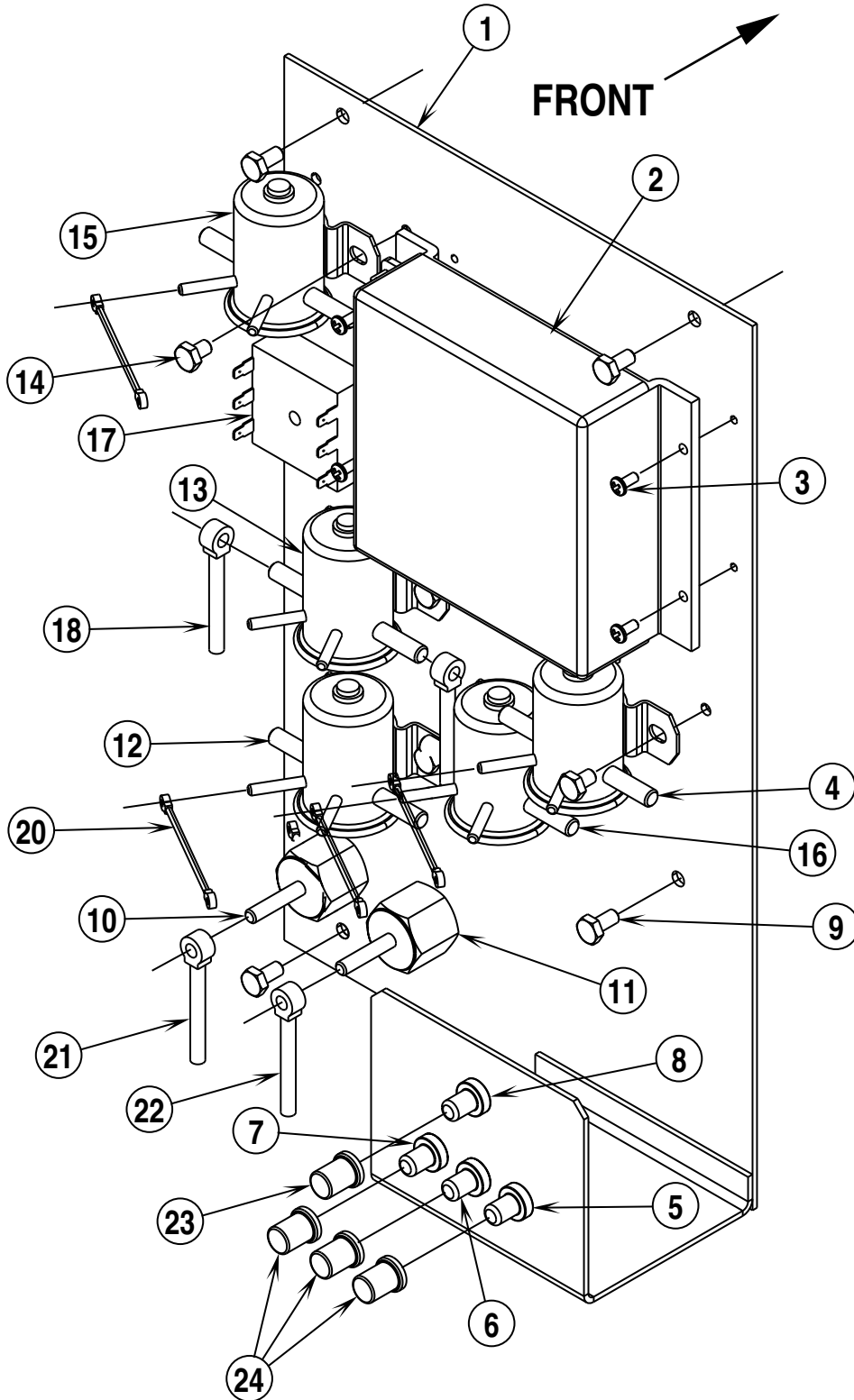


95-4	CONTROL HANDLE SYSTEM	BOOK E		
00-12	28LX / 280HD / BA 700	E	5.6.1	3

Item	Ref. No.	Qty	Description	Item	Ref. No.	Qty	Description
1	56001821	2	Scr, Hex Hd 1/4-20 x .88	47	56389434	1	Light, Indicator Green (Power ON)
2	56001833	4	Scr, Hex Hd 1/4-20 x 1.50	48	56009135	4	Scr, Thd Form 10-24 x .62
3	56001836	1	Scr, Hex Hd 1/4-20 x .62	49	56391305	1	Cable Assembly (Squeegee)
4	56001854	2	Scr, Hex Hd 1/4-20 x .50				
5	56001961	2	Scr, Soc Hd 1/4-20 x 1.25	50	56391306	1	Cable Assembly (Brake)
6	56002015	2	Scr, Soc Set Loc 10-24 x .25	51	56391311	1	Grip, Handle
7	56002034	2	Scr, Soc Hd 1/4-20 x 1.00	52	56391383	1	Control Panel Weld't
8	56002098	4	Wsh, Flt SAE 1/4	53	56391494	1	Lever
9	56002115	1	Scr, Soc Hd 1/4-20 x .50	54	56391495	1	Lever Weld't (Solution Valve)
10	56002179	1	Scr, Soc Hd 10-24 x 1.00				
11	56002242	1	Scr, Soc Hd 1/4-20 x 1.50	55	56324631	1	Lever Weld't (Squeegee)
12	56002279	2	Scr, Soc Set Loc 8-32 x .25	56	56324632	1	Lever
13	56002395	4	Scr, Flt Phil 5/16-18 x .75	57	56391501	1	Brake Lever Weld't (before SN 1209360)
14	56002454	1	Scr, Soc Hd 10-24 x 1.50				
15	56324363	2	Gasket		56392244	1	Brake Lever Weld't (after SN 1209359)
16	56002667	1	Scr, Hex Hd 5/16-18 x .75				
17	56002701	5	Nut, Hex Nyl Loc 5/16-18	58	56391504	1	Lever (before SN 1209360)
18	56002708	14	Nut, Hex Nyl Loc 1/4-20		56392242	1	Lever (after SN 1209359)
19	56002768	2	Nut, Hex Nyl Loc 10-24	59	56392078	1	Cover Weld't
20	56002795	1	Scr, Pan Phil 5/16-18 x 1.25	60	56392091	1	Parking Brake Catch Lever
21	56002830	2	Nut, Hex Nyl Loc 6-32	61	56392859	1	Pulley, Cog
22	56003049	2	Scr, Pan Phil 6-32 x 1.25	62	56392718	1	Bracket, Potentiometer
23	56003214	2	Scr, Soc Shd .25 x 1.25 x 10-24	63	56392721	1	Belt, Timing
24	56009012	3	Scr, Hex Thd Form 10-24 x .38	64	56392733	1	Tube Weld't
25	56389453	2	Resistor Assembly	65	56393312	1	Switch, Rocker (Brush)
26	56009022	2	Wsh, Flt .75 x 1.25 x .12	66	56393325	1	Bracket, Keylock
27	56392845	1	Gasket	*	56301636	1	Toggle Switch
28	56261064	2	Tube	*	56393415	1	Replacement Key
29	56261066	4	Bushing	67	56393717	1	Fuel Guage, Battery
30	56261097	2	Bearing	68	56454740	1	Potentiometer, 5K
31	56301636	1	Switch, Toggle (Main Switch)	69	56475411	1	Bushing, .25 x .37 x .48
32	56324028	1	Light, Indicator Blue (Solution ON)	70	56488290	1	Rod End
33	56324513	1	Pulley, Cog	71	56488292	1	Cable (Solution Valve)
34	56324272	1	Switch, Rocker (Solution Switch) Ref. TSB 663	72	56324349	1	Hook
35	56324505	2	Bearing, Flange	73	56009030	1	Scr, Thd Form #10-24 x .38
36	56328758	1	Bushing	74	56366633	2	Bearing Sleeve (before SN 1230124)
37	56358560	2	Spring				
38	56362426	1	Knob, Plastic				
39	56364527	1	Knob				
40	56366633	2	Bearing, Sleeve (before SN 1209360)				
41	56369004	2	Bushing				
42	56376486	1	Cap				
43	56379298	3	Bushing				
44	56324362	1	Switch, Snap, SPDT NC (Vac Motor)				
45	56392171	2	Clamp, Plastic				
46	56388545	2	Grip, Handle				

* = Not Shown

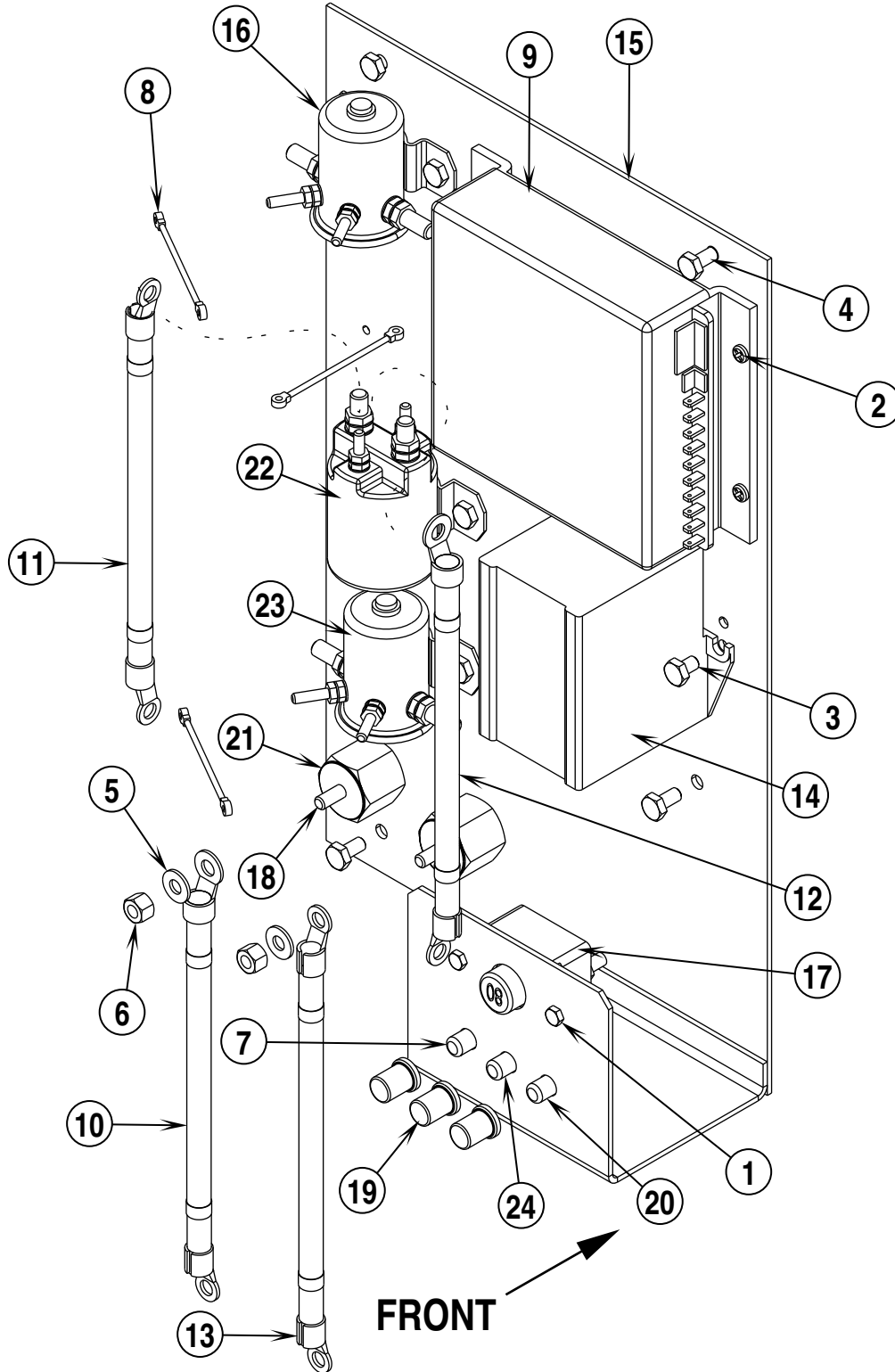
BA 700 Before SN 1082069



95-4	ELECTRICAL PANEL-1	BOOK E		
00-12	28LX / 280HD / BA 700	E	5.6.1	5

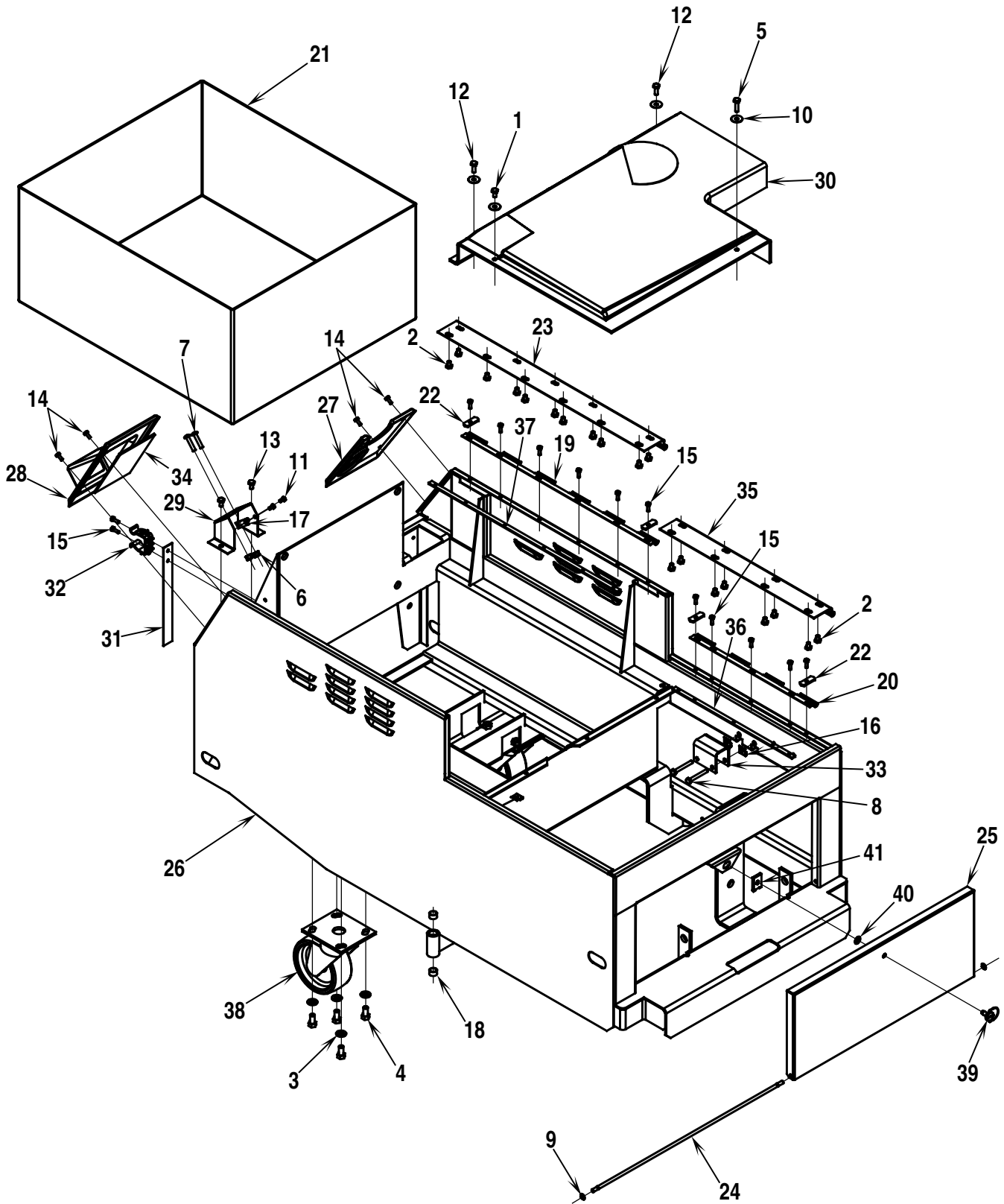
Item	Ref. No.	Qty	Description
1	56392678	1	Panel Weld't
2	56391210	1	Control, Speed
3	56002523	4	Scr, Pan Phil Thd Form 8-32 x .38
4	56388534	1	Solenoid, 36V (Brush Down)
5	56469788	1	Circuit Breaker, 25 Amp (Vac Motor)
6	56469788	1	Circuit Breaker, 25 Amp (Drive Motor)
7	56387328	1	Circuit Breaker, 5 Amp (Control Circuit)
8	56454429	1	Circuit Breaker, 70 Amp (Brush Motor)
9	56009033	4	Scr, Hex Thd Form 1/4-20 x .50
10	56454376	2	Stud, 1/4-20
11	56469858	2	Standoff, Insulated
12	56395452	1	Solenoid, 36V (Vac Motor)
13	56395452	1	Solenoid, 36V (Brush Motor)
14	56009019	10	Scr, Hex Thd Form 1/4-20 x .38
15	56395452	1	Solenoid, 36V (Drive Motor)
16	56388534	1	Solenoid, 36V (Brush Up)
17	56391357	1	Time Delay, 1.5 SEC
18	56391159	1	Cable Assembly
19	56376406	1	Cable Assembly
20	56389265	4	Diode Assembly
21	56391160	1	Cable Assembly
22	56393379	1	Cable Assembly
23	56459369	1	Boot, Reset Button
24	56459367	3	Boot, Reset Button

**BA 700 After SN 1082068
All 28LX / 280HD**



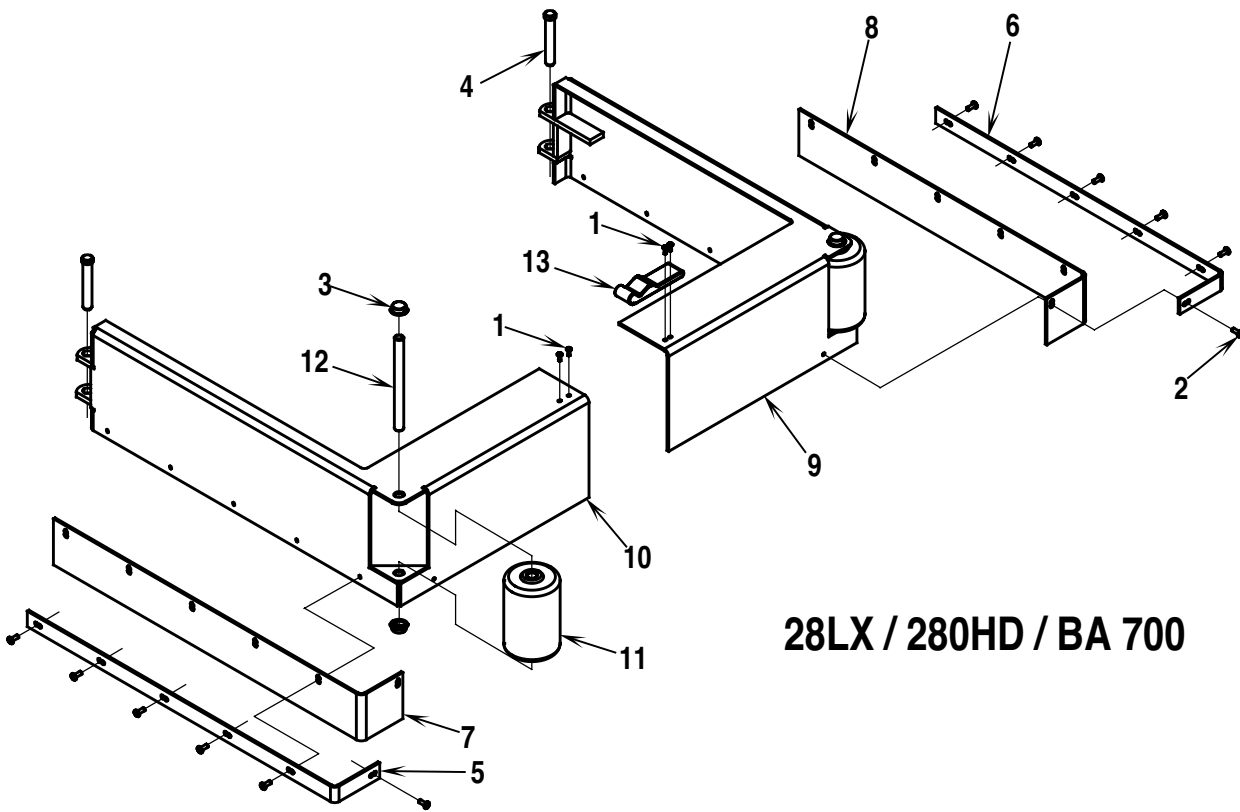
95-4	ELECTRICAL PANEL-2	BOOK E		
00-12	28LX / 280HD / BA 700	E	5.6.1	7

Item	Ref. No.	Qty	Description
1	56002425	2	Scr, Hex Hd 10-24 x .88
2	56002523	4	Scr, Pan Phil Thd Form 8-32 x .38
3	56009019	8	Scr, Hex Thd Form 1/4-20 x .38
4	56009033	4	Scr, Hex Thd Form 1/4-20 x .50
5	56009064	2	Wsh, Int Shprf 1/4
6	56009179	2	Nut, Hex Machine 1/4-20
7	56387328	1	Circuit Breaker, 5 Amp (Control Circuit)
8	56389265	3	Diode Assembly
9	56391210	1	Control, Speed
10	56391385	1	4 AWG No. 4 Cable Assembly
11	56391386	1	4 AWG No. 3 Cable Assembly
12	56391387	1	4 AWG No. 27 Cable Assembly
13	56391388	1	4 AWG No. 2 Cable Assembly
14	56392173	1	Actuator Control Module
15	56392212	1	Panel, Electrical
16	56395452	1	Solenoid, 36V (Drive Motor)
17	56409230	1	Circuit Breaker, 80 Amp (Brush Motor)
18	56454376	2	Stud, 1/4-20
19	56459367	3	Boot, Reset Button
20	56469788	1	Circuit Breaker, 25 Amp (Vacuum Motor)
21	56469858	2	Standoff, Insulated
22	56395450	1	Solenoid, 36V (Brush Motor)
23	56395452	1	Solenoid, 36V (Vacuum Motor)
24	56469788	1	Circuit Breaker, 25 Amp (Drive Motor)

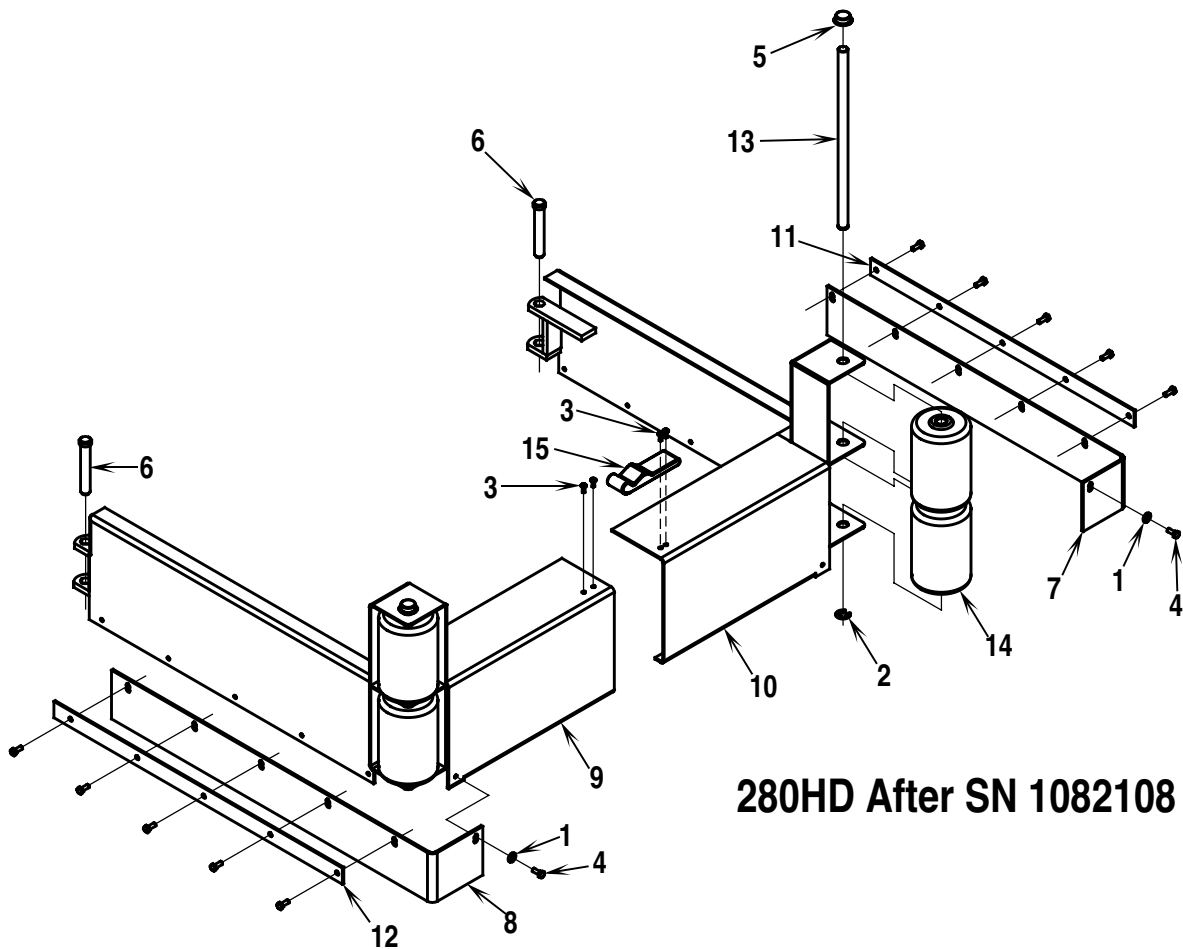


95-4	CHASSIS SYSTEM	BOOK E		
00-12	28LX / 280HD / BA 700	E	5.6.1	9

Item	Ref. No.	Qty	Description
1	56001854	1	Scr, Hex Hd 1/4-20 x .50
2	56001861	19	Scr, Hex Hd 1/4-20 x .38
3	56002063	8	Wsh, Flt SAE 3/8
4	56002127	8	Scr, Hex Hd 3/8-16 x .75
5	56002686	1	Scr, Hex Thd Form 1/4-20 x 1.00
6	56002708	2	Nut, Hex Nyl Loc 1/4-20
7	56002825	2	Scr, Pan Phil 1/4-20 x 1.25
8	56003117	2	Scr, Hex Hd Loc 1/4-20 x 2.00
9	56003268	2	Ring, Ret Ext Type E Reinf. .25 Dia
10	56009002	4	Wsh, Flt .26 x .90 x .06
11	56009012	2	Scr, Hex Thd Form 10-24 x .38
12	56009018	2	Scr, Hex Thd Form 1/4-20 x .75
13	56009033	2	Scr, Hex Thd Form 1/4-20 x .50
14	56009039	4	Scr, Hex Thd Form 10-24 x .50
15	56009135	15	Scr, Hex Thd Form 10-24 x .62
16	56321520	3	Nut, Clamp
17	56324310	1	Nut Plate
18	56366633	4	Bearing, Sleeve
19	56391181	1	Hinge, Recovery
20	56391189	1	Hinge, Solution
21	56391248	1	Tray, Battery
22	56391260	4	Clip, Hinge
23	56391381	1	Hinge, Recovery Tank
24	56391781	1	Rod
25	56392132	1	Panel, Front
26	56392141	1	Chassis Weld't
27	56392162	1	Panel, Rear Left
28	56392163	1	Panel, Rear Right
29	56392164	1	Bracket
30	56392166	1	Cover
31	56392167	1	Strap, Web
32	56392171	1	Clamp, Plastic
33	56392186	1	Bracket, Valve
34	56392195	1	Guard
35	56392669	1	Hinge, Solution Tank
36	56392675	1	Nut, Plate
37	56392676	1	Nut, Plate
38	56440450	2	Caster, swivel
	56503007	A/R	Wheel (for caster, swivel)
39	56448104	1	Screw Fastener
40	56448108	1	Washer, Retainer
41	56468960	1	Screw, Receptacle



28LX / 280HD / BA 700



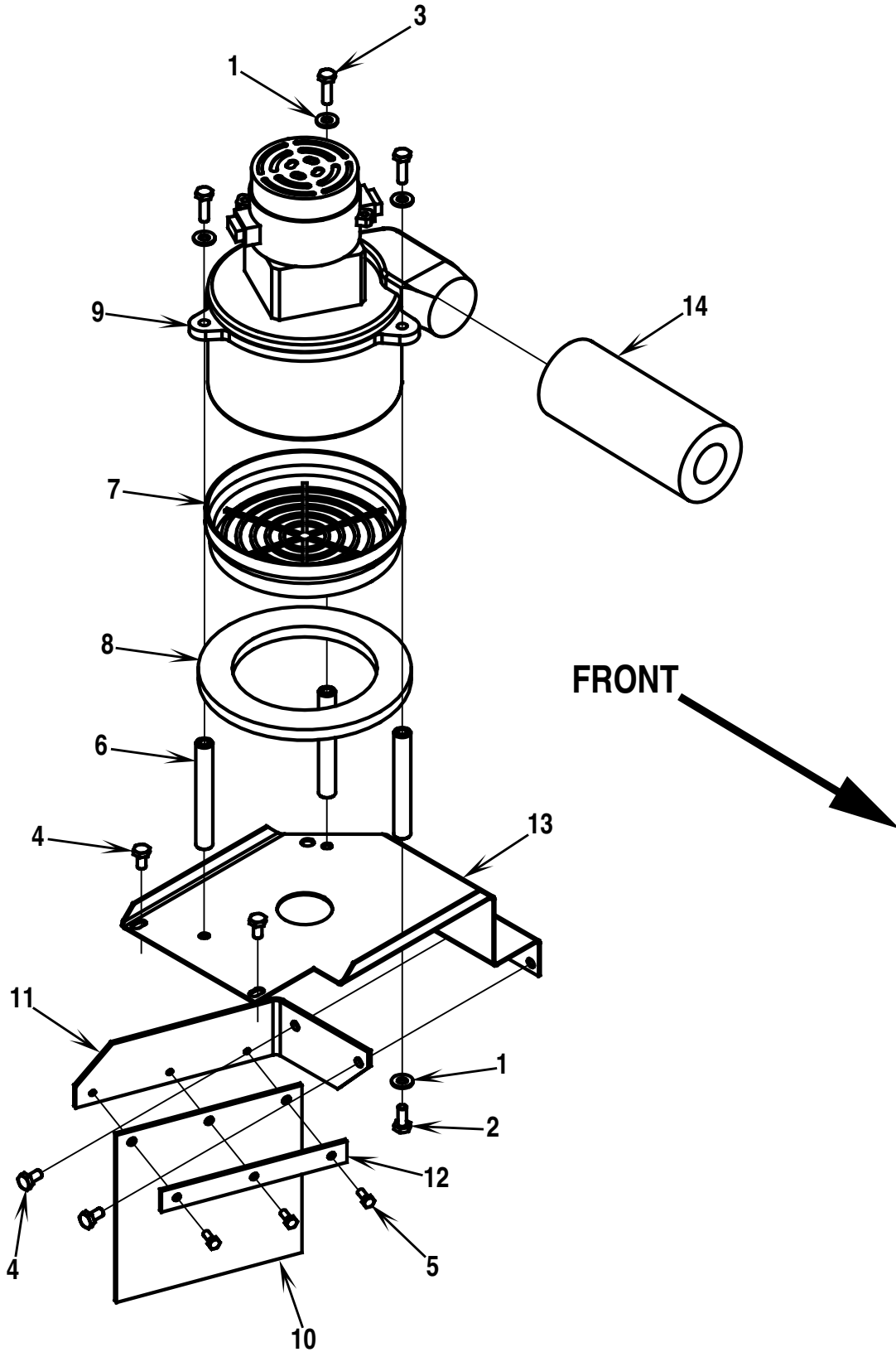
280HD After SN 1082108

95-4	SKIRT SYSTEMS	BOOK E		
00-12	28LX / 280HD / BA 700	E	5.6.1	11

Item	Ref. No.	Qty	Description
28LX / 280HD / BA 700			
1	56009013	4	Scr, Pan Phil Thd Form-Blk 6-32 x .38
2	56009082	12	Scr, Pan Phil Thd Form-Blk 10-24 x .50
3	56009097	4	Nut, Push Cap 1/2
4	56360147	2	Pin
5	56391317	1	Retainer, R.H. Skirt
6	56391318	1	Retainer, L.H. Skirt
7	56391319	1	Skirt, Right
8	56391321	1	Skirt, Left
9	56391347	1	Skirt, Left Weld't NOTE 1
10	56391348	1	Skirt, Right Weld't NOTE 1
11	56392102	2	Roller
12	56393372	2	Rod
13	56462316	1	Latch

NOTE 1: This applies to Hydro-Retriever™ 280HD models from serial no. 1079298 through 1082108 only.

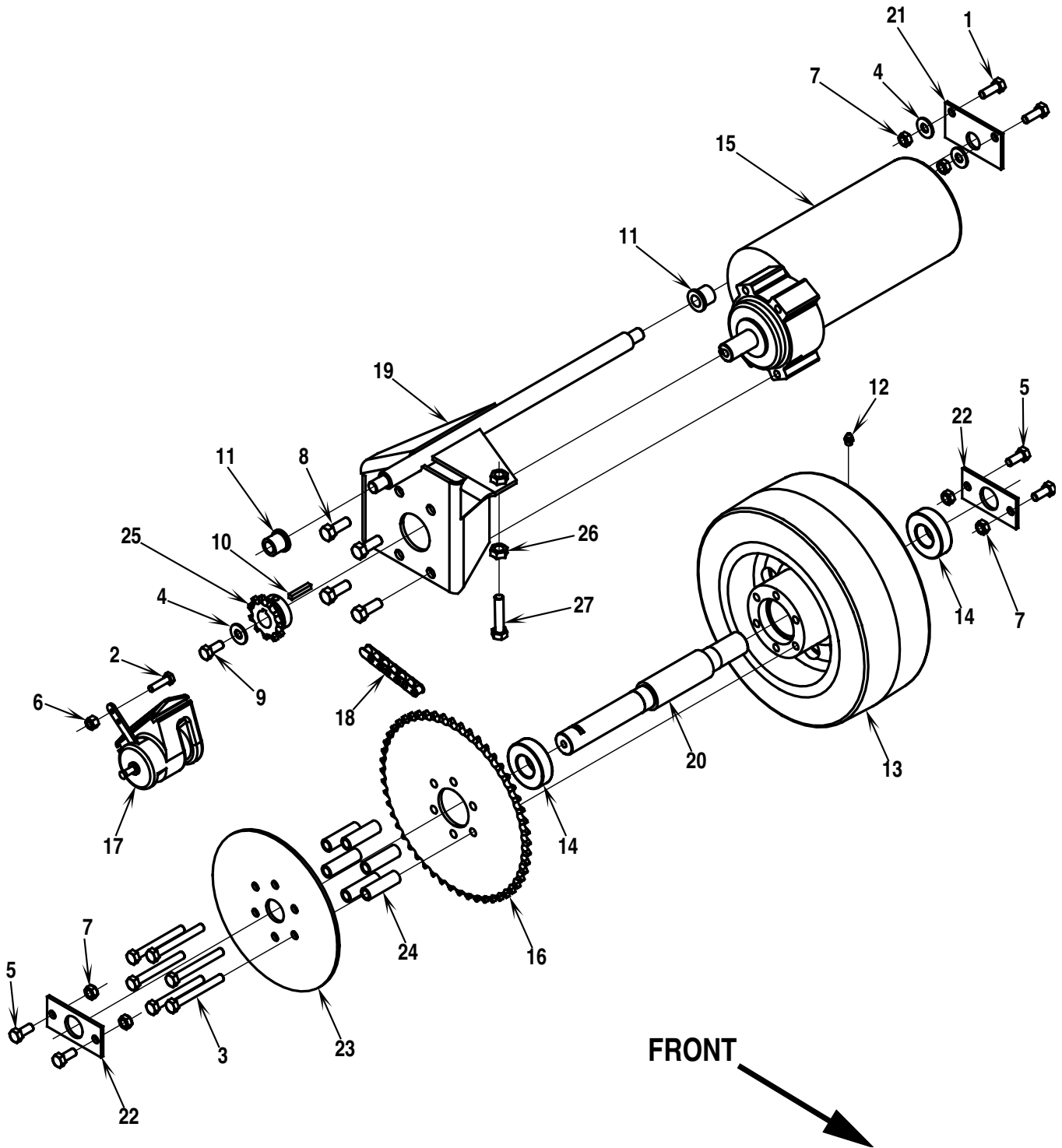
Item	Ref. No.	Qty	Description
280HD After SN1082108			
1	56009096	2	Wsh, Flt SAE #10
2	56003264	2	Ring, Ret Ext Type E
3	56009013	4	Scr, Pan Phil Thd Form-Blk 6-32 x .38
4	56009039	12	Scr, Hex Thd Form 10-24 x .50
5	56009097	2	Nut, Push Cap 1/2
6	56360147	2	Pin
7	56391389	1	Skirt, Left
8	56391390	1	Skirt, Right
9	56391916	1	Skirt, Right Weld't
10	56391917	1	Skirt, Left Weld't
11	56391918	1	Retainer, L.H. Skirt
12	56391919	1	Retainer, R.H. Skirt
13	56391926	2	Pin, Bumper Roller
14	56392102	4	Roller
15	56462316	1	Latch



95-4	VACUUM MOTOR SYSTEM	BOOK E		
01-11	28LX / 280HD / BA 700	E	5.6.1	13

Item	Ref. No.	Qty	Description
1	56002098	6	Wsh, Flt SAE 1/4
2	56002922	3	Scr, Hex Hd Loc 1/4-20 x .62
3	56002960	3	Scr, Hex Hd Loc 1/4-20 x .88
4	56009033	4	Scr, Hex Thd Form 1/4-20 x .50
5	56009039	3	Scr, Hex Thd Form 10-24 x .50
6	56377474	3	Stand-off
7	56384898	1	Filter
8	56385437	1	Gasket
9	56391208	1	Vac Motor, 36V
*	56377001	1	Carbon Brushes for Vac Motor
10	56391307	1	Blade
11	56391760	1	Bracket
12	56391761	1	Strap
13	56391786	1	Mount, Vac Motor
14	56391807	1	Foam, Acoustical

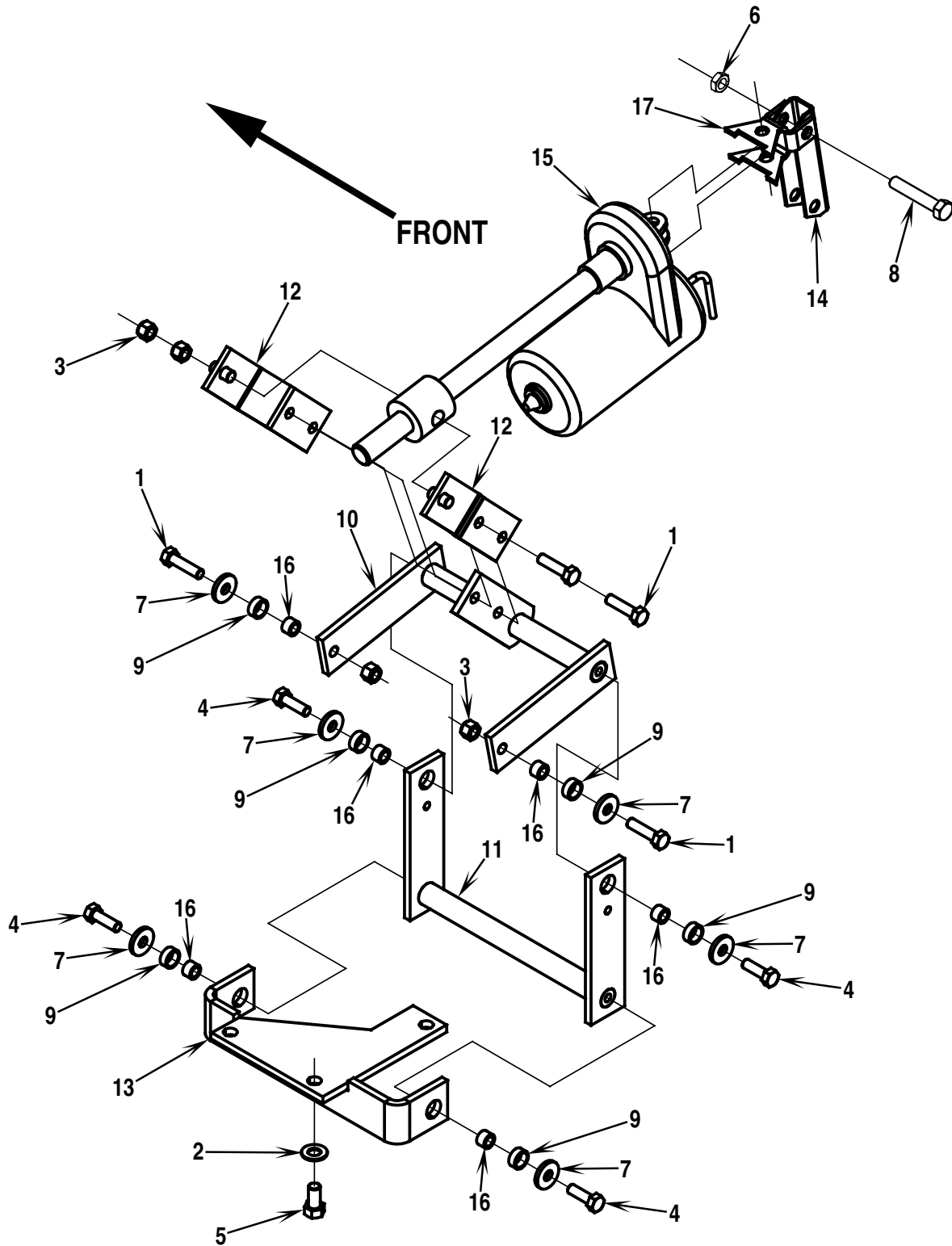
* = Not Shown



95-4	DRIVE SYSTEM	BOOK E		
00-12	28LX / 280HD / BA 700	E	5.6.1	15

Item	Ref. No.	Qty	Description
1	56002037	2	Scr, Hex Hd 5/16-18 x .88
2	56002093	1	Scr, Hex Hd 1/4-20 x 1.00
3	56002203	6	Scr, Hex Hd 5/16-18 x 2.75
4	56002220	3	Wsh, Flt Std 5/16
5	56002667	4	Scr, Hex Hd 5/16-18 x .75
6	56002708	1	Nut, Hex Nyl Loc 1/4-20
7	56002826	6	Nut, Hex Nyl Loc-Thin 5/16-18
8	56002947	4	Scr, Hex Hd Loc 3/8-16 x 1.00
9	56002956	1	Scr, Hex Hd Loc 5/16-18 x .75
10	56003240	1	Key, Sq .19 x 1.12
11	56111503	2	Bearing, Flange
12	56344362	1	Fitting Lube 1/4-28
13	56376628	1	Wheel 10.00 x 4.00
14	56378380	2	Bearing, Ball
15	56388585	1	Drive Motor
*	56388586	1	Carbon Brushes for Drive Motor
16	56388700	1	Sprocket
17	56391301	1	Brake
18	56391310	1	Chain, Roller
19	56391530	1	Motor Bracket Weld't
20	56391534	1	Axle
21	56391535	1	Pillow Block
22	56391536	2	Pillow Block
23	56391537	1	Disc, Brake
24	56391539	6	Spacer
25	56471148	1	Sprocket
26	56001894	1	Nut, Hex Lock 3/8-16
27	56002470	1	Scr, Hex Hd 3/8-16 x 2.00

* = Not Shown

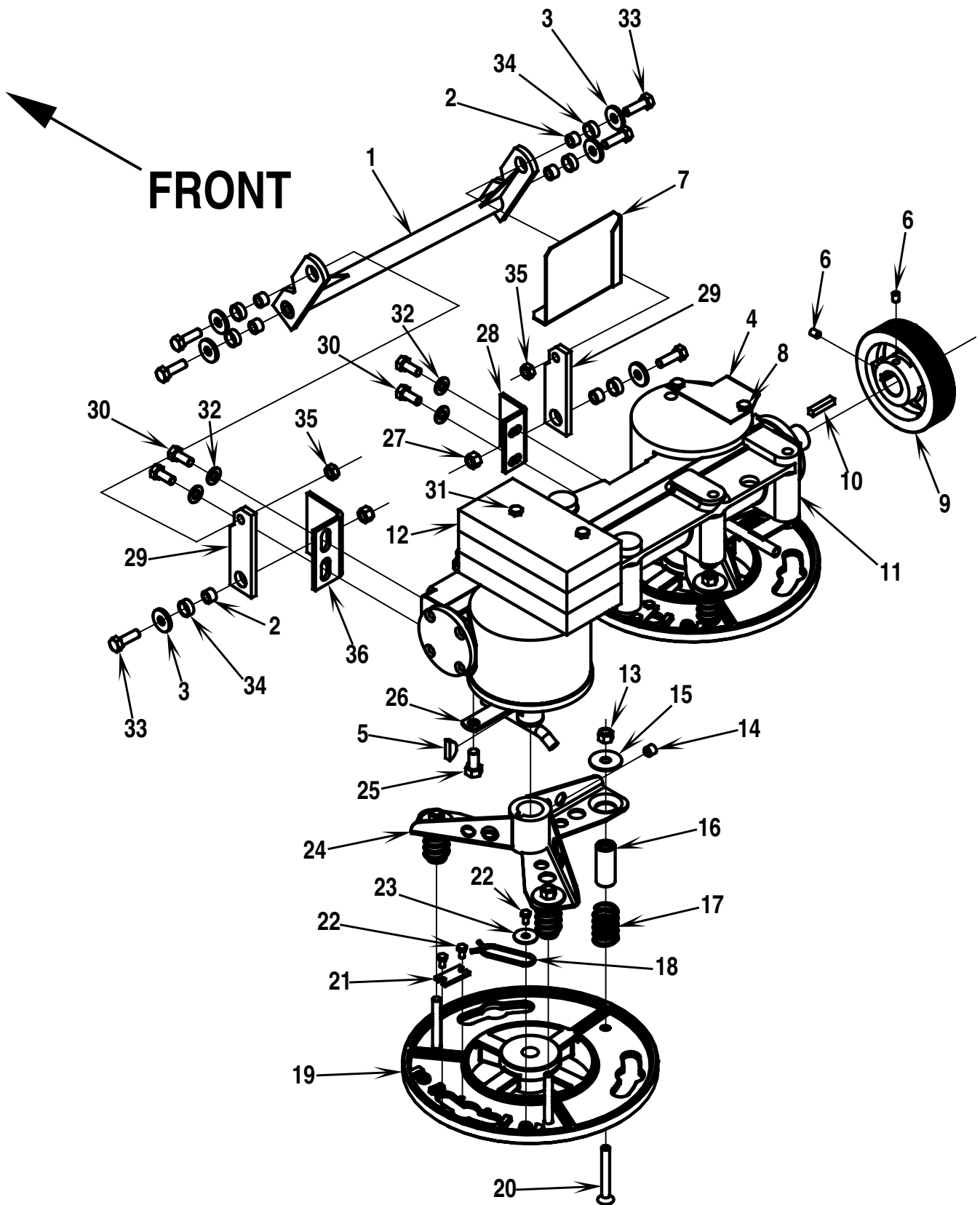


95-4	BRUSH LIFT SYSTEM	BOOK E		
00-12	28LX / 280HD / BA 700	E	5.6.1	17

Item	Ref. No.	Qty	Description
1	56001834	2	Scr, Hex Hd 5/16-18 x 1.25
2	56002063	3	Wsh, Flt SAE 3/8
3	56002701	4	Nut, Hex Nyl Loc 5/16-18
4	56003073	6	Scr, Hex Hd Loc 5/16-18 x 1.00
5	56003079	3	Scr, Hex Hd Loc 3/8-16 x .75
6	56002842	3	Nut, Hex Nyl Loc-Thin 3/8-16 NOTE
7	56009122	6	Wsh, Flt .34 x .94 x .12
8	56002684	3	Scr, Hex Hd 3/8-16 x 1.75
9	56185263	6	Bearing, Sleeve
10	56391577	1	Lever Weld't
11	56391587	1	Lifter Yoke Weld't
12	56391590	2	Lever Weld't
13	56391593	1	Bracket Weld't
14	56391626	1	Arm, Swing
15	56391627	1	Actuator, Motor
*	56388520	1	Nut, Plastic for Actuator
*	56470431	1	Carbon Brush Kit for Actuator
*	56393790	A/R	Switch, Limit for Actuator
16	56391840	6	Bushing
17	56392454	1	Yoke, Actuator

* = Not Shown

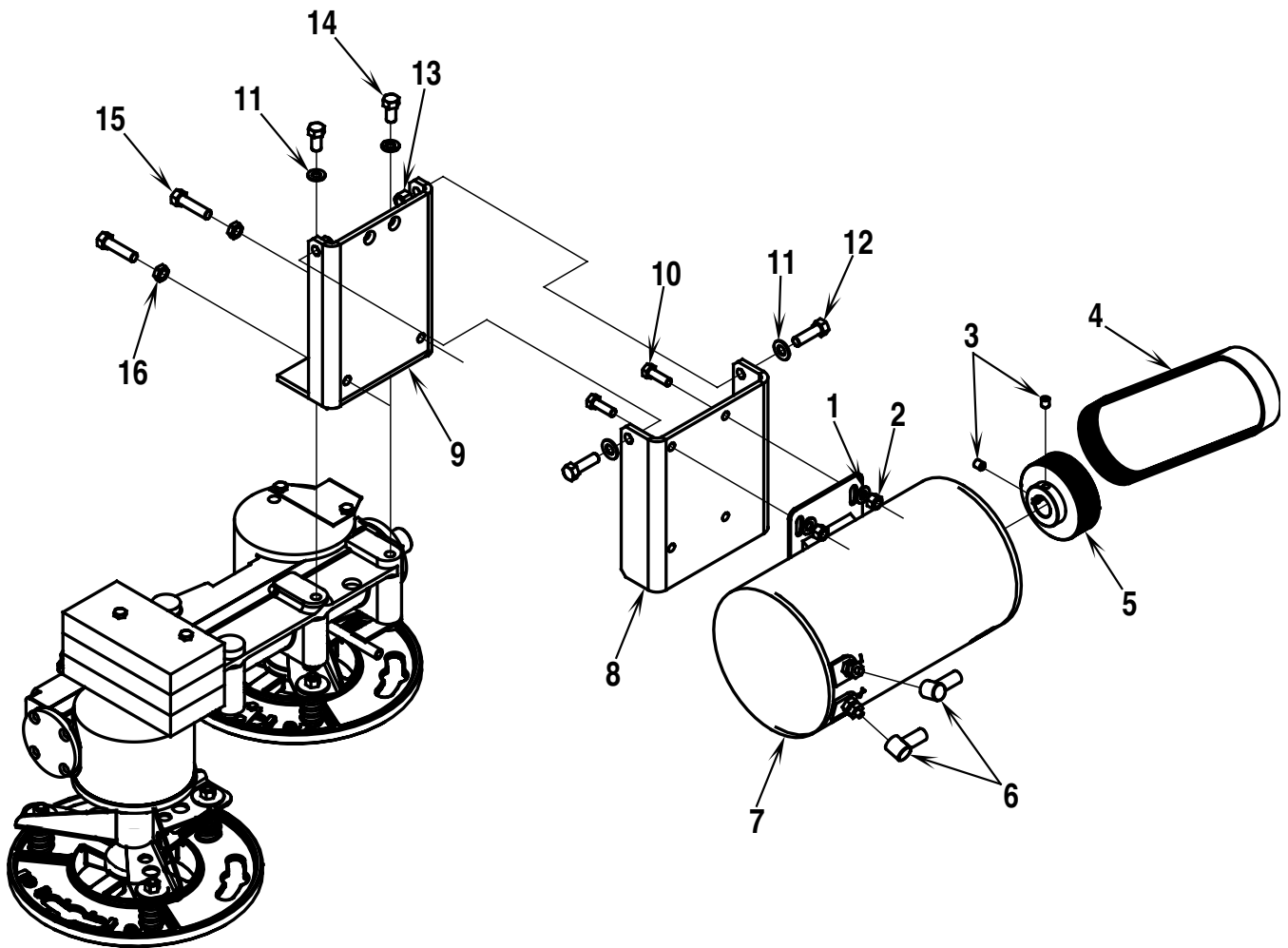
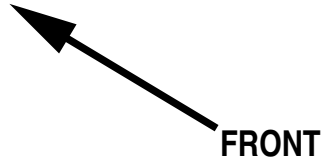
NOTE: Tighten nut until threads on the end of the screw are flush with the nut. **CAUTION!** Do Not over-tighten!



95-4	GEARCASE (BRUSH DRIVE SYSTEM)	BOOK E		
00-12	28LX / 280HD / BA 700	E	5.6.1	19

Item	Ref. No.	Qty	Description
1	56391581	1	Torsion Bar Weld't
2	56391840	6	Bushing
3	56009122	6	Wsh, Flt .34 x .94 x .12
4	56391765	1	Bracket
5	56003231	2	Key, WDF .88 x .25
6	56002930	2	Scr, Soc Set Loc 1/4-20 x .38
7	56392853	1	Shield
8	56003039	2	Scr, Hex Hd Loc 1/4-20 x .50
9	56392400	1	Sheave, Poly V Belt (10 groove-10J43)
10	56003245	1	Key, Sq. .25 x 1.19
11	56391268	1	Gear Case Ass'y (includes #4, 28 & 35)
12	56391839	3	Weight
13	56002856	6	Nut, Hex Nyl Loc SS 5/16-18
14	56003081	2	Scr, Soc Set Loc 3/8-16 x .38
15	56009094	6	Wsh, Flt SS .38 x 1.25 x .08
16	56392530	6	Spacer
17	56392513	6	Spring
18	56366463	2	Spring Retainer
19	56391611	2	Holder Casting, Brush
20	56002965	6	Scr, Flt Phil SS 5/16-18 x 2.50
21	56366455	2	Plate, Stop
22	56002879	6	Scr, Hex Hd SS 10-24 x .38
23	56009002	2	Wsh, Flt .27 x .91 x .06
24	56392396	2	Drive Adaptor Weld't
25	56003079	2	Scr, Hex Hd Loc 3/8-16 x .75
26	56391604	2	Pipe Weld't
27	56002701	2	Nut, Hex Nyl Loc 5/16-18
28	56391953	1	Bracket, Right
29	56391586	2	Bar
30	56002956	4	Scr, Hex Hd Loc 5/16-18 x .75
31	56002689	2	Scr, Hex Hd 1/4-20 x 3.50
32	56001939	4	Wsh, Flt SAE 5/16
33	56002221	6	Scr, Hex Hd 5/16-18 x 1.00
34	56185263	6	Bearing, Sleeve
35	56002826	2	Nut, Hex Nyl Loc-Thin 5/16-18
36	56391952	1	Bracket, Left
**	56505770	2	Short Trim Pad Holder
**	56505771	2	Magna Grit Brush/Disc
**	56505772	2	Dyna Grit Brush/Disc
**	56505773	2	AgLite Grit Brush/Disc
**	56505774	2	Prolene Brush/Disc
**	56505775	2	ProLite Brush/Disc
**	56505776	2	Union Mix Brush/Disc
**	56505777	2	MidGrit Brush/Disc
**	56505778	2	MidLite Grit Brush/Disc

** = Optional, Not Included

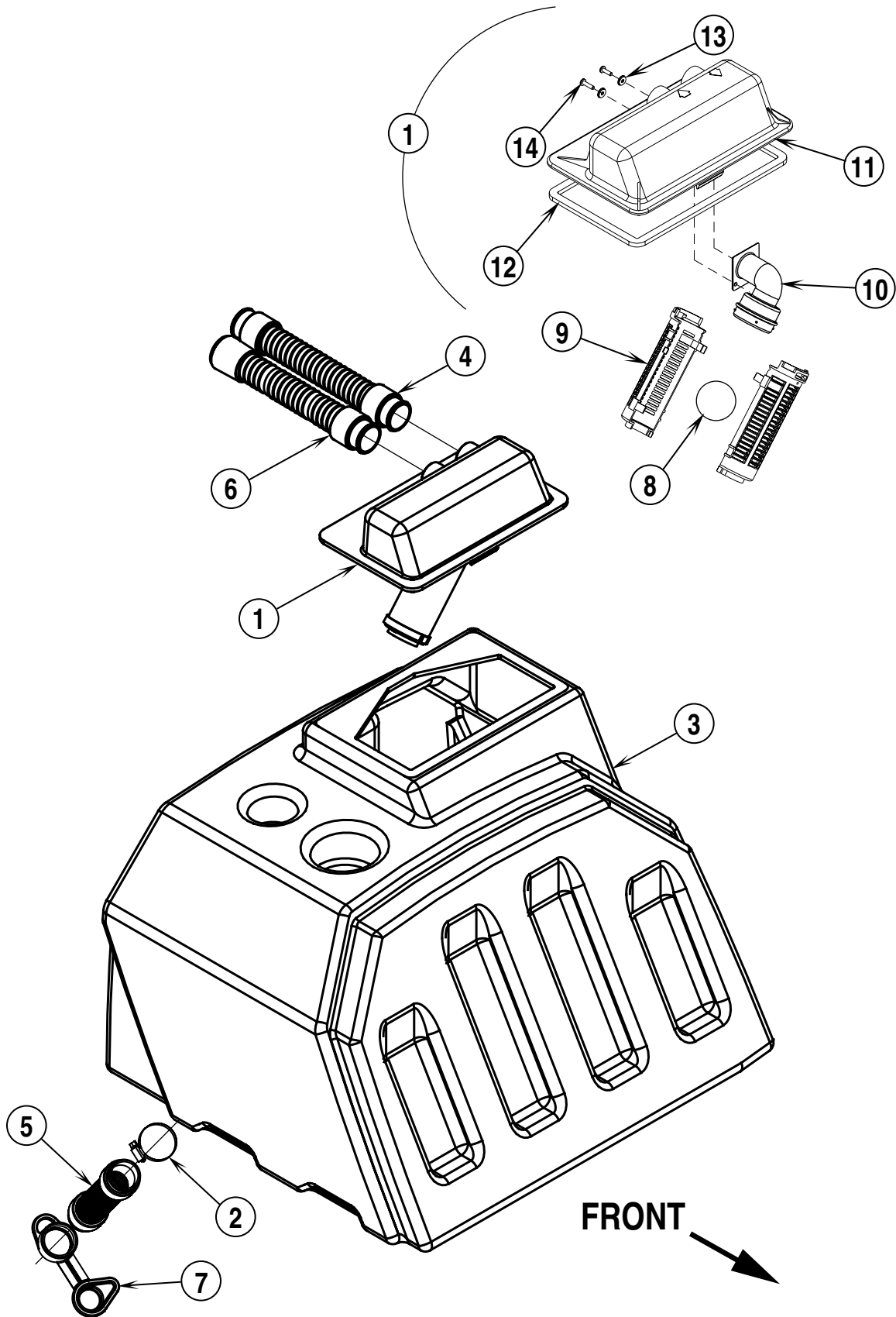


95-4	BRUSH DRIVE MOTOR (BRUSH DRIVE SYSTEM)	BOOK E		
00-12	28LX / 280HD / BA 700	E	5.6.1	21

Item	Ref. No.	Qty	Description
1	56001939	4	Wsh, Flt SAE 5/16
2	56002701	4	Nut, Hex Nyl Loc 5/16-18
3	56002021	2	Scr, Soc Set Loc 5/16-18 x .38
4	56756048	1	Belt, Poly V (BA 700 before SN1077399)
	56391397	1	Belt, Poly V (BA 700 after SN1077398, all 28LX/280HD)
5	56391610	1	Sheave, Poly V (BA 700 before SN1077399)
	56379730	1	Sheave, Poly V (BA 700 after SN1077398, all 28LX/280HD)
6	56492305	2	Boot, Rubber
7	56391314	1	Motor, 2.25HP 36V (BA 700 before SN1077399)
*	56448729	1	Carbon Brushes for 56391314
	56409825	1	Motor, 3 HP, 36V (BA 700 after SN1077398, all 28LX/280HD)
*	56409739	4	Carbon Brush for 56409825
*	56409738	1	Brush Spring for 56409825 (4 required)
*	56409828	1	Wsh, Bearing Spring
*	56409829	1	Bearing
*	56409830	1	Bearing
*	56409831	1	Complete Commutator Cover Assy.
*	56409832	1	Commutator Cover
*	56409833	1	Complete Brush Ring Assy.
*	56409834	1	Pulley Cover
*	56409835	1	Complete Stator Assy. W/Baffle
*	56409836	1	Complete Armature Assy.
8	56392267	1	Channel NOTE 1
9	56391353	1	Bracket
10	56002221	4	Scr, Hex Hd 5/16-18 x 1.00
11	56002063	4	Wsh, Flt SAE 3/8
12	56001858	2	Scr, Hex Hd 3/8-16 x 1.25
13	56002769	2	Nut, Hex Nyl Loc 3/8-16
14	56003079	2	Scr, Hex Hd Loc 3/8-16 x .75
15	56002747	2	Scr, Hex Thd to Hd 3/8-16 x 1.50
16	56009085	2	Nut, Hex Jam 3/8-16

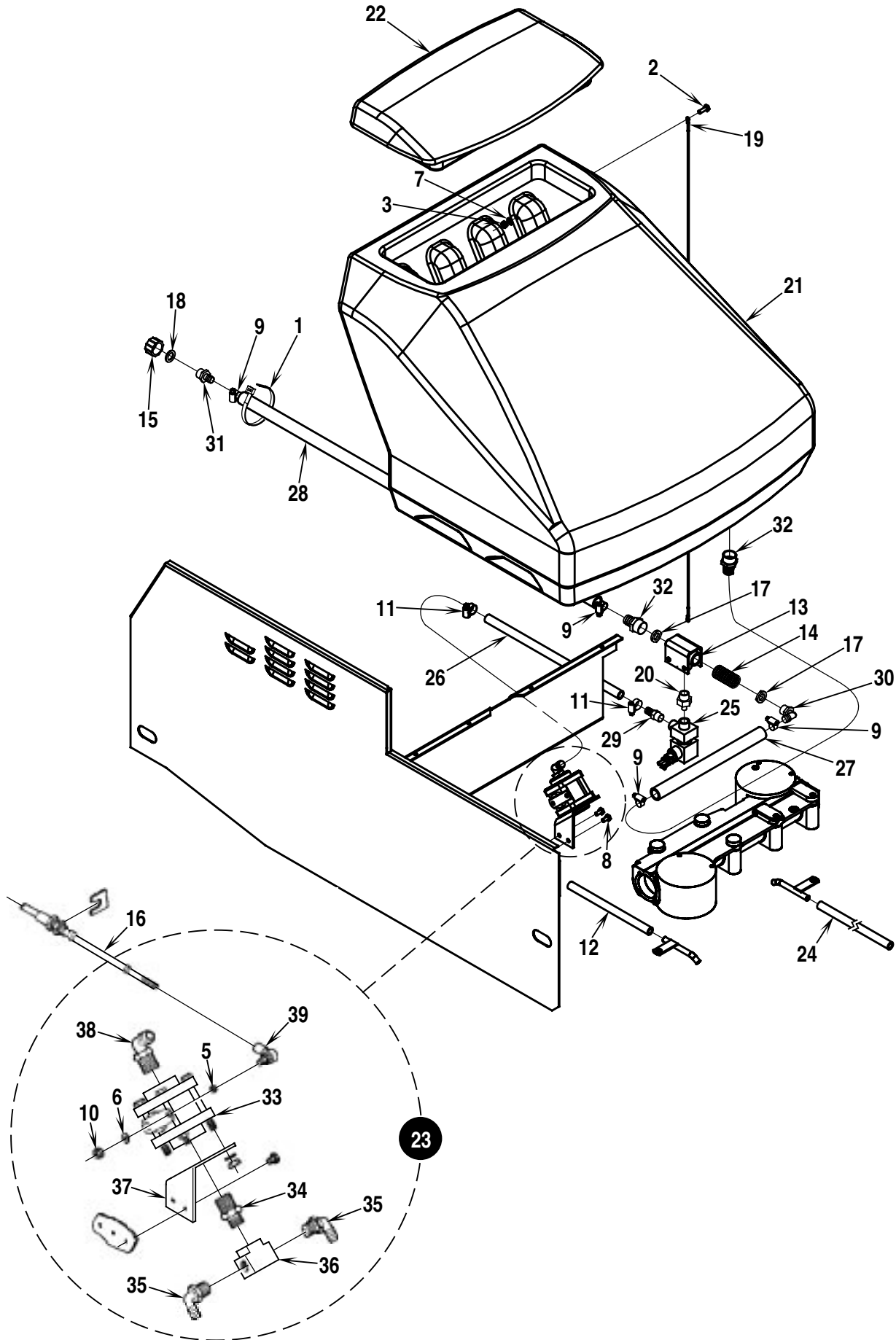
* = Not Shown

NOTE 1: New motor mount channel PN 56392267 allows more clearance between motor and battery box.



95-4	RECOVERY TANK SYSTEM	BOOK E		
00-12	28LX / 280HD / BA 700	E	5.6.1	23

Item	Ref. No.	Qty	Description
1	56324045	1	Cover Assembly (#8-14) (all 28LX / 280HD only before SN 1192077)
	56324396	1	Cover Assembly (#8-14) (280HD after SN 1192076, all BA700)
2	56329145	1	Clamp, Hose SAE #24
3	56392199	1	Tank, Recovery (all 28LX / 280HD only before SN 1192077)
	56391371	1	Tank, Recovery (280HD after SN 1192076, all BA700)
4	56392205	1	Hose Assembly (Squeegee) (all 28LX / 280HD only before SN 1192077)
	56392168	1	Hose Assembly (Squeegee) (280HD after SN 1192076, all BA700)
5	56392201	1	Hose Assembly (Drain) (all 28LX / 280HD only before SN 1192077)
	56392170	1	Hose Assembly (Drain) (280HD after SN 1192076, all BA700)
6	56392203	1	Hose Assembly (Vac Motor) (all 28LX / 280HD only before SN 1192077)
	56392227	1	Hose Assembly (Vac Motor) (280HD after SN 1192076, all BA700)
7	56324180	1	Plug, Hose (all 28LX / 280HD only before SN 1192077)
	56393772	1	Plug, Hose (280HD after SN 1192076, all BA700)
8	56391690	1	Ball
9	56324497	2	Cage, Float
10	56324298	1	Elbow, Float
11	56324046	1	Cover, Tank (all 28LX / 280HD only before SN 1192077)
	56324395	1	Cover, Tank (280HD after SN 1192076, all BA700)
12	56262576	1	Gasket
13	56209261	2	Washer, Sealing 9/16
14	56003633	2	Scr, Pan Phil SS Type B 10-16 x .50

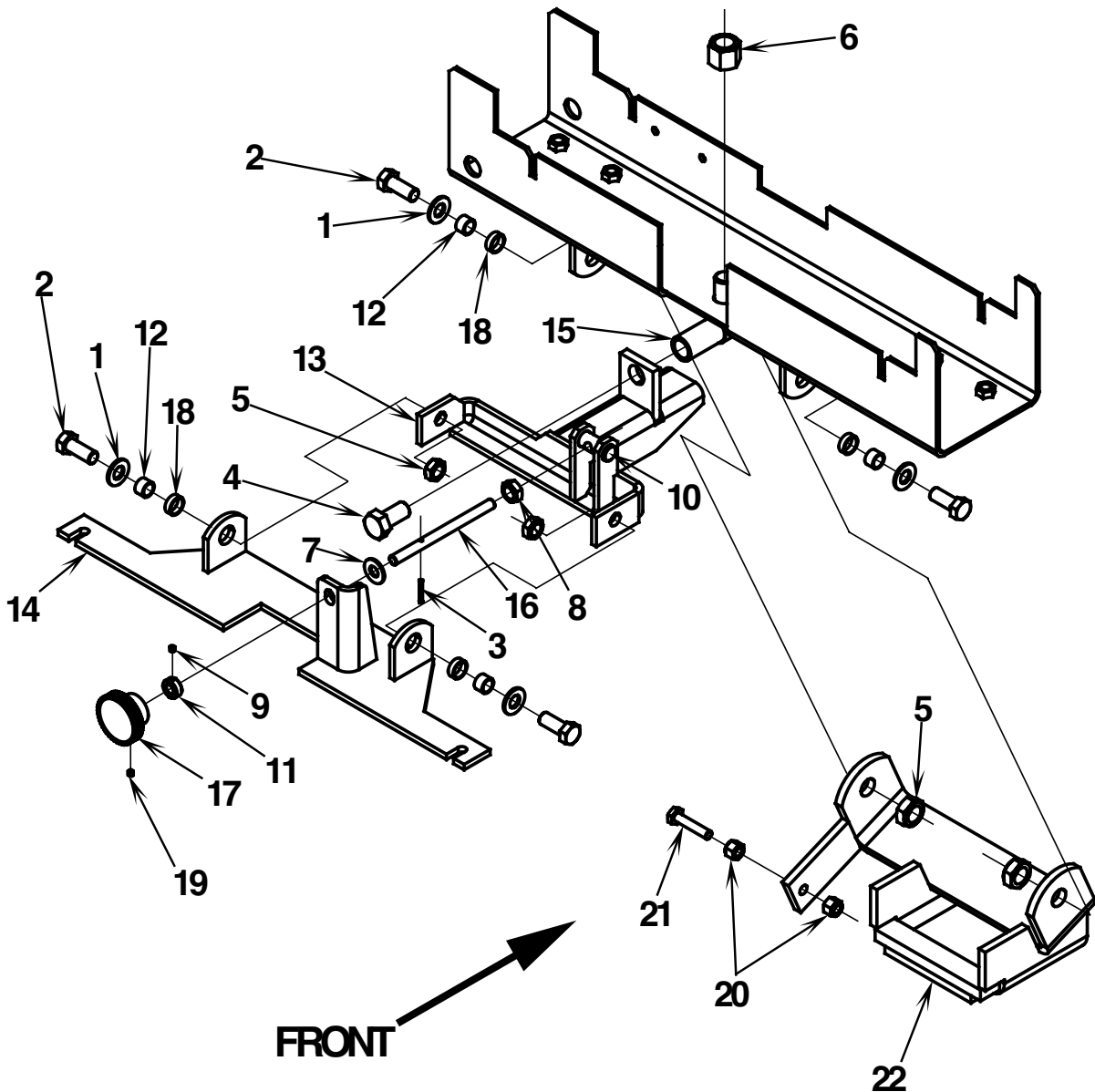


95-4	SOLUTION SYSTEM	BOOK E		
00-12	28LX / 280HD / BA 700	E	5.6.1	25

Item	Ref. No.	Qty	Description
1	56477613	1	Tie, Cable (280HD only after SN 1192076, all BA 700)
2	56002807	1	Scr, Hex Hd SS 1/4-20 x .75
3	56002850	1	Nut, Hex Nyl Loc-Thin SS 1/4-20
4	56488290	1	Rod End
5	56375334	1	Bushing
6	56001954	1	Wsh, Flt SAE #10
7	56009004	1	Wsh, Sealing .18 x .56
8	56009033	4	Scr, Hex Thd Form 1/4-20 x .50
9	56112771	4	Clamp, Hose SAE #10 (qty of 3 on 280HD after SN 1192076, all BA 700)
10	56002873	1	Nut, Hex Nyl Loc 10-24
11	56219932	2	Clamp, Hose SAE #6
12	56249682	1	Hose, Spiral
13	56324029	1	Tee
14	56324030	1	Filter
15	56255076	1	Cap
16	56488292	1	Cable
*	56392214	1	Bracket, Cable Anchor
17	56324313	2	Washer, Rubber
18	56368776	1	Washer, Rubber
19	56391282	1	Cable Assembly
20	56391283	1	Nipple, Reducer 3/8 NPT x 3/4 NPT
21	56391395	1	Tank, Solution (all 28LX / 280HD only before SN 1192077)
	56393844	1	Tank, Solution (280HD only after SN 1192076)
	56391369	1	Tank, Solution (BA 700)
22	56391396	1	Cover (all 28LX / 280HD only before SN 1192077)
	56391377	1	Cover (280HD only after SN 1192076, all BA 700)
23	56391675	1	Solution Valve Assembly (#33-38)
24	56391771	1	Hose, Spiral
25	56392161	1	Solenoid Valve Assembly
*	56324506	1	Viton Seal Kit for 56392161
*	56324507	1	EPDM Seal Kit for 56392161
26	56392832	1	Hose, PVC
27	56392833	1	Hose, Spiral
28	56392834	1	Tube, PVC
29	56409507	1	Barb, Adapter 1/2 x 3/8 NPT
30	56456802	1	Barb, Elbow
31	56900273	1	Barb
32	56900292	2	Barb, Adapter 3/4 x 3/4 NPT
33	56391681	1	Valve, Flow Control
34	56900639	1	Nipple, Hex, Reducer 1/2 x 3/8
35	56900035	2	Barb, 90° Elbow 3/8 Hose x 3/8 NPT
36	56900291	1	Tee, Union, 3/8 NPT
37	56391676	1	Mount, Valve
38	56391678	1	Barb, 1/2 Hose x 1/2 NPT

* = Not Shown

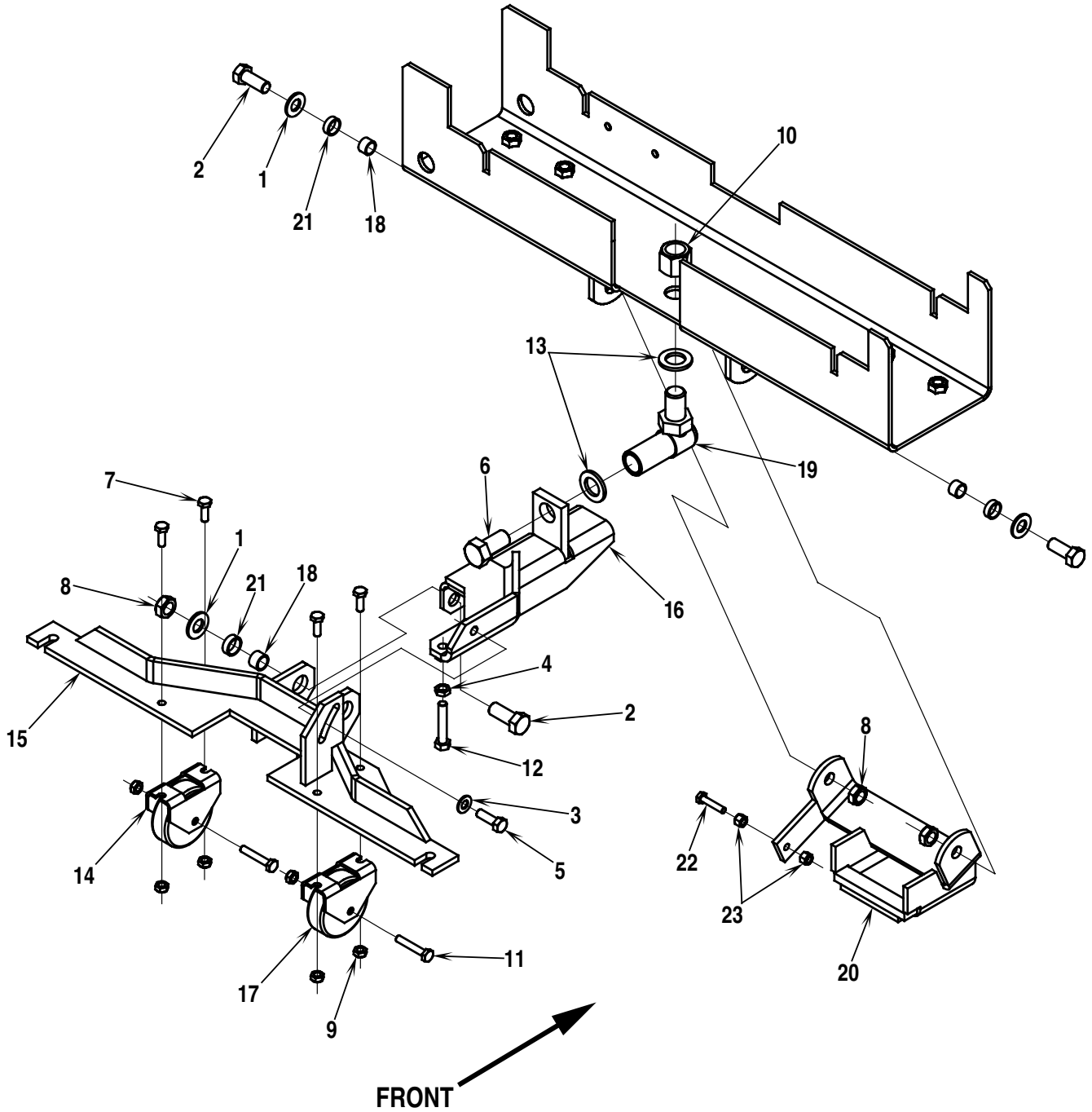
BA 700 Before SN 1082069



95-4	SQUEEGEE MOUNT ASSEMBLY-1	BOOK E		
01-2	28LX / 280HD / BA 700	E	5.6.1	27

Item	Ref. No.	Qty	Description
	56392245	1	Squeegee Mount Assembly (#1-19)
1	56001879	4	Wsh, Flt SAE 1/2
2	56001931	4	Scr, Hex Hd 1/2-13 x 1.25
3	56002291	1	Pin, Spr .12 x 1.00
4	56002739	1	Scr, Hex Hd 3/4-16 x 1.25
5	56002843	4	Nut, Hex Nyl Loc-Thin 1/2-13
6	56002863	1	Nut, Hex Nyl Loc 3/4-16
7	56002891	1	Wsh, Flt Std SS 3/8
8	56009085	1	Nut, Hex Jam 3/8-16
9	56002015	1	Scr, Soc Set Loc 10-24 x .25
10	56324369	1	Pin
11	56331076	1	Collar
12	56360627	4	Bushing
13	56391373	1	Mount Weld't
14	56391374	1	Squeegee Mount Weld't
15	56391864	1	Ball Joint
16	56392104	1	Rod, Adjuster
17	56475480	1	Knob
18	56478781	4	Bearing, Sleeve
19	56001823	1	Scr, Soc Set Loc 10-24 x .38
20	56002708	2	Nut, Hex Nyl Loc 1/4-20
21	56001878	1	Scr, Hex Hd 1/4-20 x 1.25
22	56391860	1	Lifter Weld't

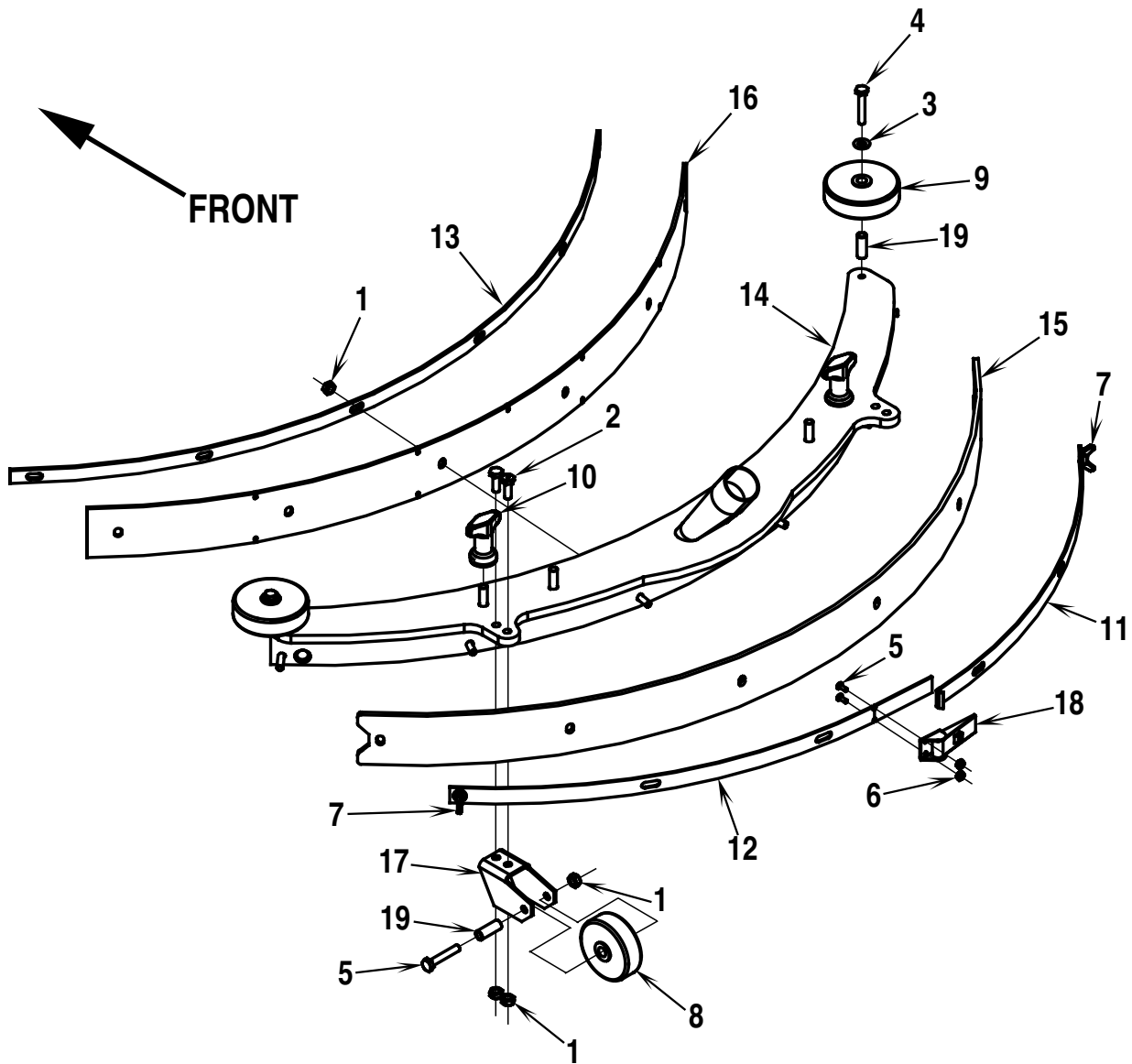
BA 700 After SN 1082068
All 28LX / 280HD



95-4	SQUEEGEE MOUNT ASSEMBLY-2	BOOK E		
00-12	28LX / 280HD / BA 700	E	5.6.1	29

Item	Ref. No.	Qty	Description
	56392218	1	Squeegee Mount Assembly (#1-19 & 21)
1	56001879	4	Wsh, Flt SAE 1/2
2	56001931	4	Scr, Hex Hd 1/2-13 x 1.25
3	56001939	1	Wsh, Flt SAE 5/16
4	56002025	1	Nut, Hex Jam 5/16-18
5	56002221	1	Scr, Hex Hd 5/16-18 x 1.00
6	56002739	1	Scr, Hex Hd 3/4-16 x 1.25
7	56002807	4	Scr, Hex Hd SS 1/4-20 x .75
8	56002843	4	Nut, Hex Nyl Loc-Thin 1/2-13
9	56002850	6	Nut, Hex Nyl Loc-Thin SS 1/4-20
10	56002863	1	Nut, Hex Nyl Loc 3/4-16
11	56002901	2	Scr, Hex Hd SS 1/4-20 x 1.50
12	56003005	1	Scr, Hex Hd 5/16-18 x 1.75
13	56009022	2	Wsh, Flt .75 x 1.25 x .12
14	56392217	2	Wheel Bracket
15	56262679	1	Squeegee Mount TSB 655, TSB 668
16	56262677	1	Squeegee Tongue Weld't TSB 668
17	56324515	2	Wheel TSB 655
18	56360627	4	Bushing
19	56391864	1	Ball Joint
20	56391860	1	Lifter Weld't
21	56478781	4	Bearing, Sleeve
22	56001878	1	Scr, Hex Hd 1/4-20 x 1.25
23	56002708	2	Nut, Hex Nyl Loc 1/4-20

BA 700 Before SN 1082069

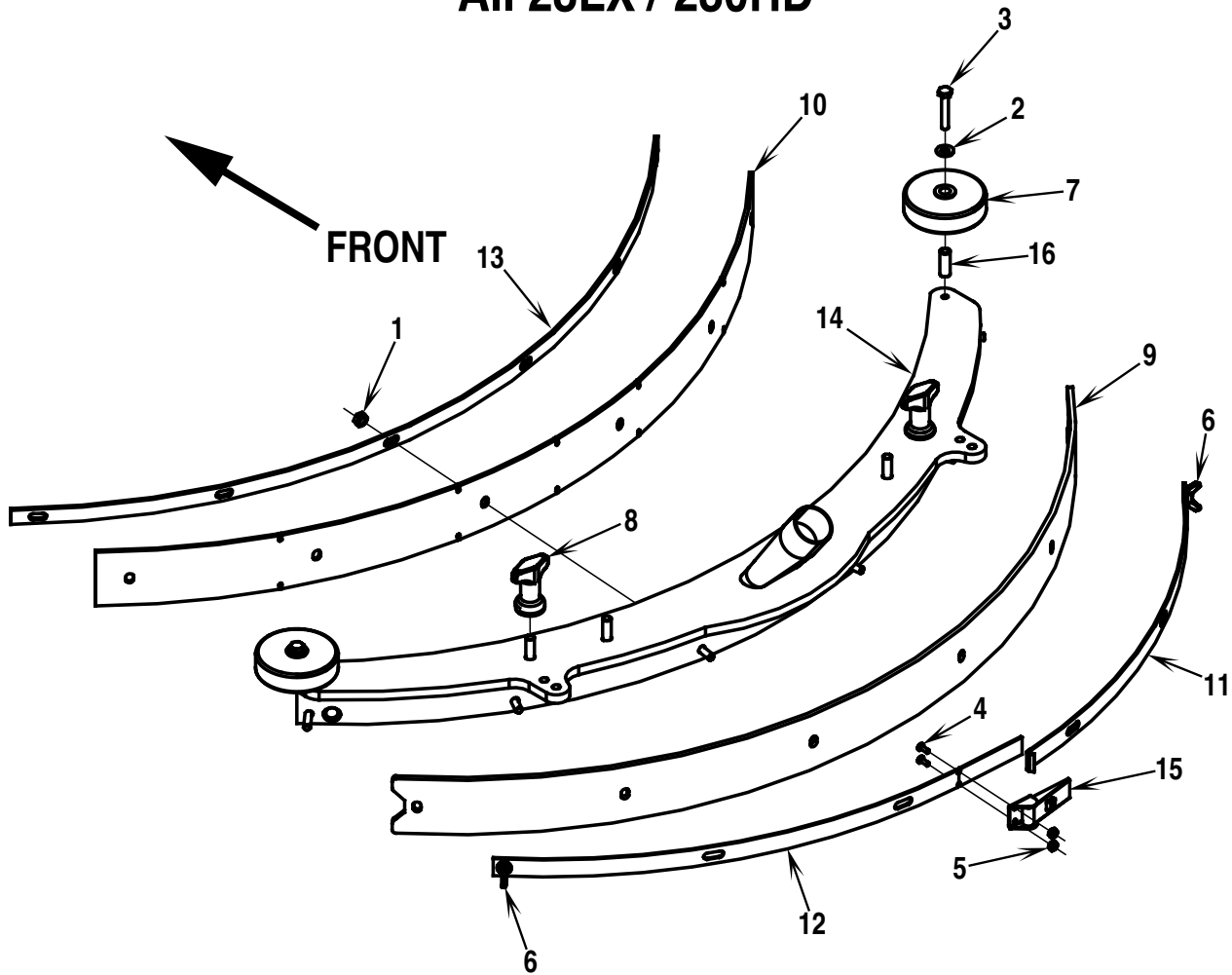


95-4	SQUEEGEE ASSEMBLY-1	BOOK E		
00-12	28LX / 280HD / BA 700	E	5.6.1	31

Item	Ref. No.	Qty	Description
	56391281	1	Squeegee Assembly (#1-19)
1	56002850	12	Nut, Hex Nyl Loc-Thin SS 1/4-20
2	56002807	4	Scr, Hex Hd SS 1/4-20 x .75
3	56002859	2	Wsh, Flt SAE SS 1/4
4	56002901	4	Scr, Hex Hd SS 1/4-20 x 1.50
5	56002909	2	Scr, Pan Phil SS 6-32 x .38
6	56002964	2	Nut, Hex Nyl Loc-Thin SS 6-32
7	56002963	2	Nut, Wing Loc 1/4-20
8	56324350	2	Wheel
9	56324499	2	Wheel
10	56370711	2	Nut, Thumb
11	56391286	1	Strap, Rear Right
12	56391288	1	Strap, Rear Left
13	56391290	1	Strap, Front
14	56391292	1	Tool Weld't
15	56391333	1	Blade, Rear (standard/gum rubber)
	56391343	1	Blade, Rear (oil resistant/neoprene)
16	56391334	1	Blade, Front (standard/gum rubber)
	56391355	1	Blade, Front (oil resistant/neoprene)
17	56409656	2	Bracket, Wheel
18	56471194	1	Latch Assembly
19	56471220	4	Bushing
	56391340	1	Standard Blade Kit (gum rubber/#15-16)
	56391342	1	Oil Resistant Blade Kit (neoprene/#15-16)

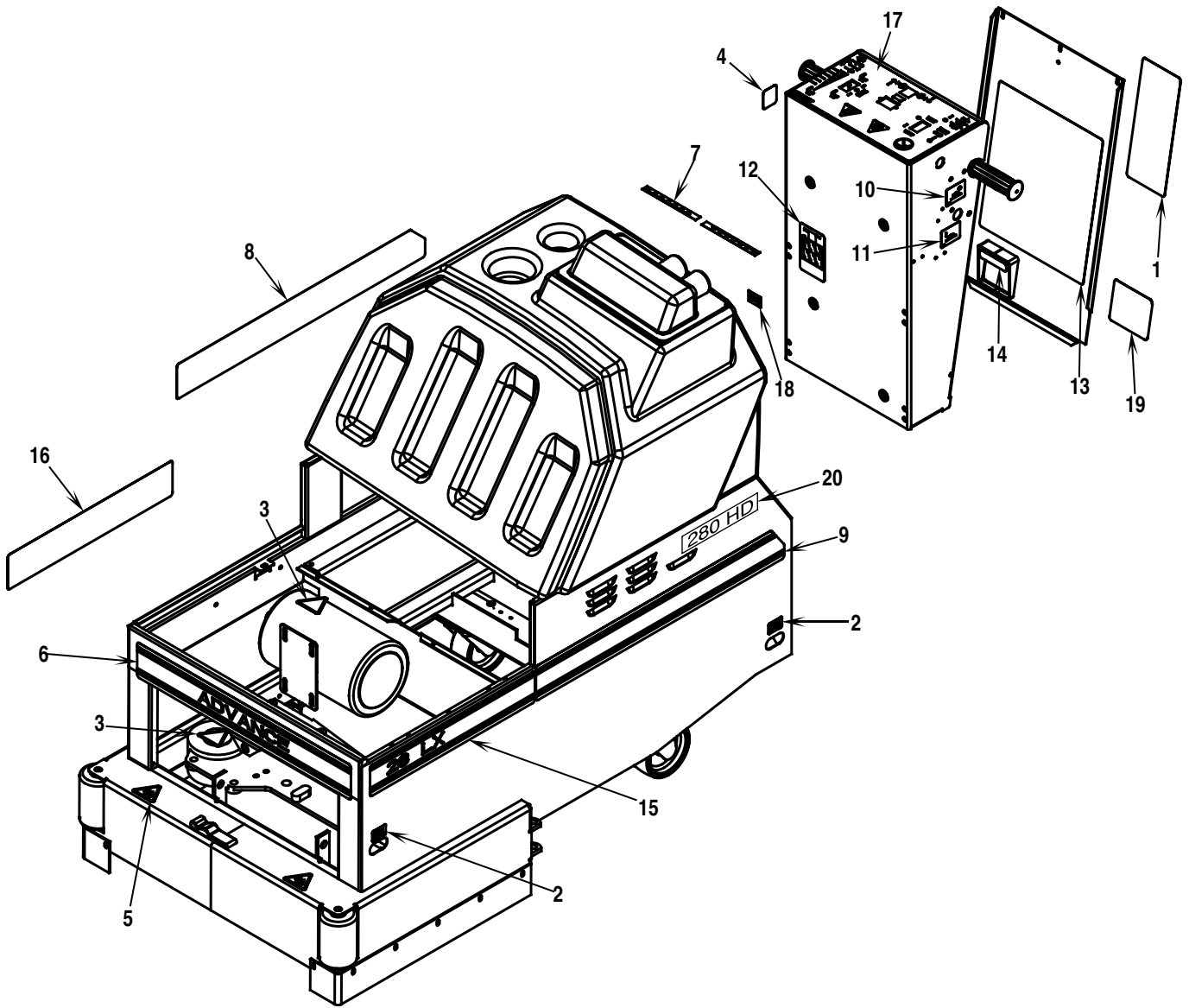
* = Not Shown

**BA 700 After SN 1082068
All 28LX / 280HD**



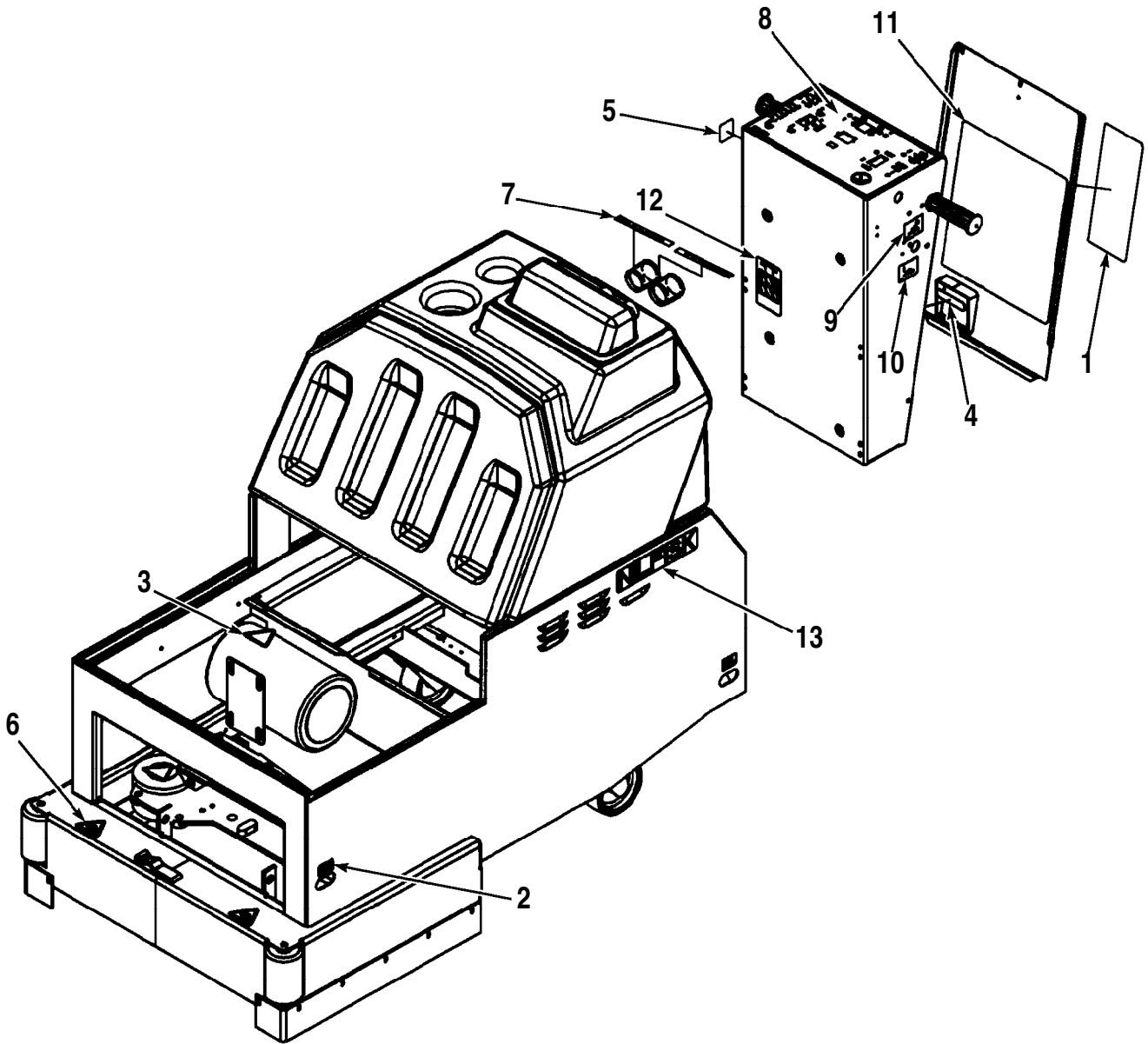
95-4	SQUEEGEE ASSEMBLY	BOOK E		
00-12	28LX / 280HD / BA 700	E	5.6.1	33

Item	Ref. No.	Qty	Description
	56391295	1	Squeegee Assembly (#1-16)
1	56002850	6	Nut, Hex Nyl Loc-Thin SS 1/4-20
2	56002859	2	Wsh, Flt SAE SS 1/4
3	56002901	2	Scr, Hex Hd SS 1/4-20 x 1.50
4	56002909	2	Scr, Pan Phil SS 6-32 x .38
5	56002964	2	Nut, Hex Nyl Loc-Thin SS 6-32
6	56009048	2	Nut, Wing Loc 1/4-20
7	56324499	2	Wheel 3.00
8	56370711	2	Nut, Thumb
9	56391333	1	Blade, Rear (standard)
	56391343	1	Blade, Rear (oil resistant)
10	56391334	1	Blade, Front (standard)
	56391355	1	Blade, Front (oil resistant)
11	56391286	1	Strap, Rear Right
12	56391288	1	Strap, Rear Left
13	56391290	1	Strap, Front
14	56391292	1	Squeegee Tool
15	56471194	1	Latch
16	56471220	2	Bushing
	56391340	1	Standard Squeegee Blade Kit (#9-10)
	56391342	1	Oil Resistant Squeegee Blade Kit (#9-10)



95-4	DECAL SYSTEM (Advance)	BOOK E		
00-12	28LX / 280HD / BA 700	E	5.6.1	35

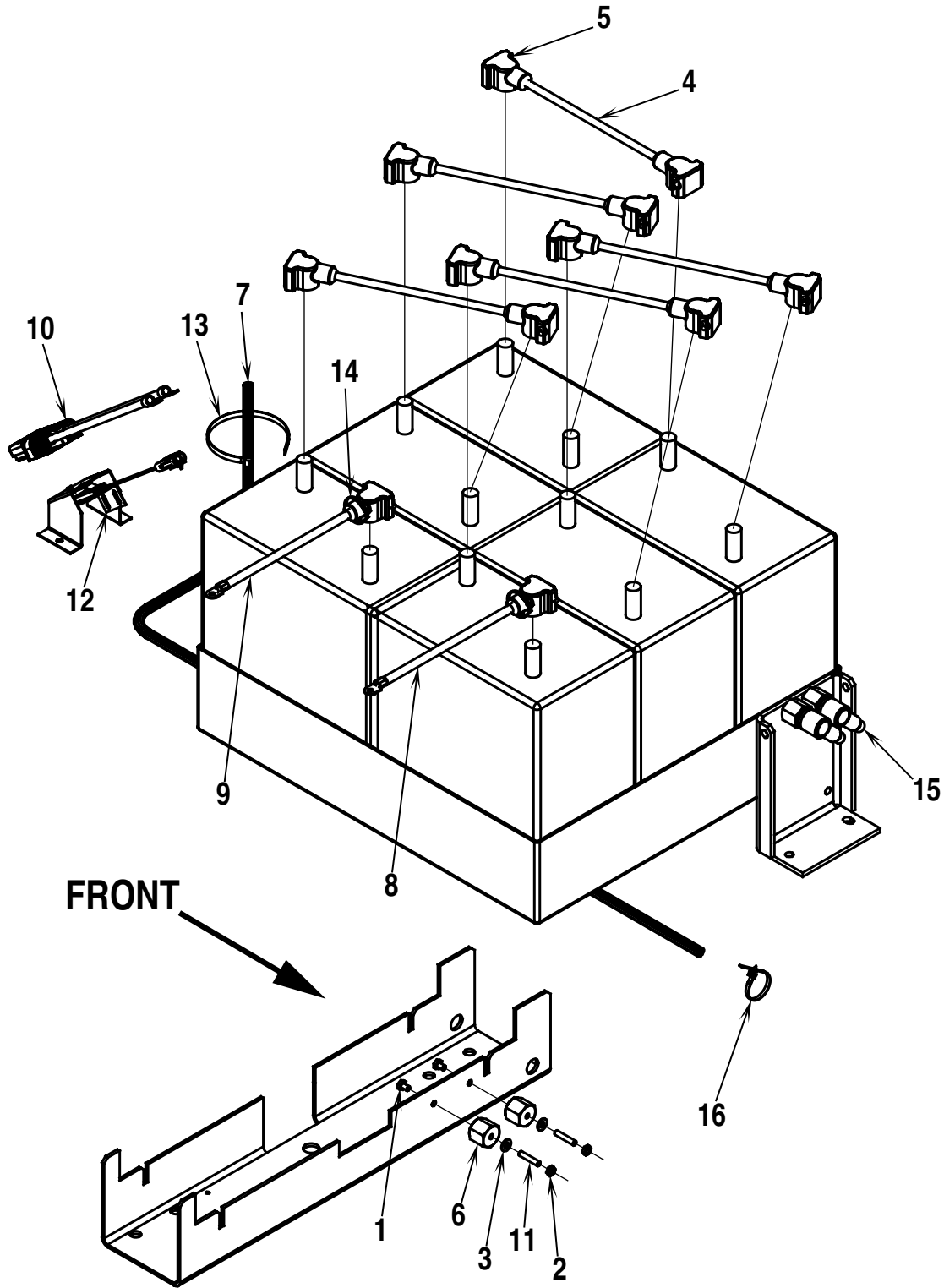
Item	Ref. No.	Qty	Description
1	56014601	1	Decal, Caution
2	56015370	4	Decal, Tie Down
3	56015464	2	Decal, Hand Entanglement
4	56015469	1	Decal, Brake Release
5	56015506	2	Decal, Rotating Brush Hazard
6	56015532	1	Decal, Front (all 28LX / 280HD only before SN 1192077)
7	56015655	2	Decal, Direction
8	56015688	1	Decal, Stripe Rear Right (all 28LX / 280HD only before SN 1192077)
9	56015689	1	Decal, Stripe Rear Left (all 28LX / 280HD only before SN 1192077)
10	56015711	1	Decal, Squeegee Up
11	56015712	1	Decal, Squeegee Down
12	56015765	1	Decal, Cable Routing
13	56015777	1	Decal, Wiring
14	56015779	1	Decal, Circuit Breakers
15	56015799	1	Decal, Stripe Front Left - 28LX
	56015783	1	Decal, Stripe Front Left - 280HD (before SN 1192077)
16	56015800	1	Decal, Stripe Front Right - 28LX
	56015787	1	Decal, Stripe Front Right - 280HD (before SN 1192077)
17	56015801	1	Decal, Control Panel
18	56016324	1	Decal, Charger
19	56016036	1	Decal, Wear Items - 280HD
20	56015994	2	Decal, 280HD (after SN 1192076)



95-4	DECAL SYSTEM (Nilfisk)	BOOK E		
00-12	28LX / 280HD / BA 700	E	5.6.1	37

Item	Ref. No.	Qty	Description
1	56014601	1	Decal, Caution
2	56015370	4	Decal, Tie Down
3	56015464	2	Decal, Hand Entanglement
4	56015465	1	Decal, Circuit Breakers
5	56015469	1	Decal, Brake Release
6	56015506	2	Decal, Rotating Brush Hazard
7	56015655	2	Decal, Direction
8	56015700	1	Decal, Control Panel
9	56015711	1	Decal, Squeegee Up
10	56015712	1	Decal, Squeegee Down
11	56015764	1	Decal, Wiring
12	56015765	1	Decal, Cable Routing
13	56015766	2	Decal, Nilfisk

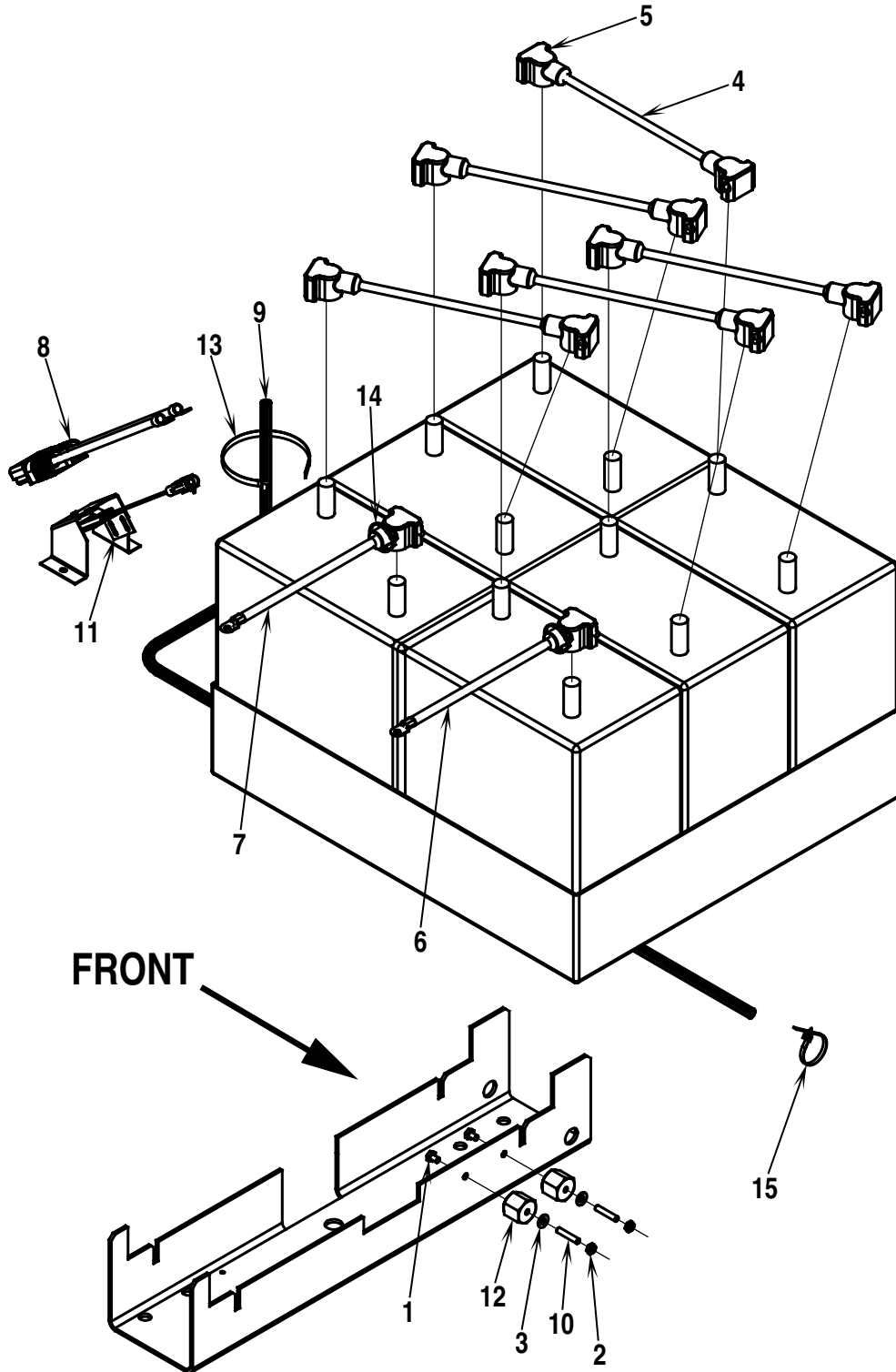
BA 700 Before SN 1082069



95-4	ELECTRICAL SYSTEM-1	BOOK E		
00-12	28LX / 280HD / BA 700	E	5.6.1	39

Item	Ref. No.	Qty	Description
1	56001861	2	Scr, Hex Hd 1/4-20 x .38
2	56002040	2	Nut, Hex Jam 1/4-20
3	56009064	2	Wsh, Int Shprf 1/4
4	56363936	5	Cable Assembly 4 x 15 TSB 730
5	56372673	12	Boot, Battery Post
6	56469858	2	Standoff, Insulated
7	56392154	1	Harness, Wiring
8	56392155	1	Cable Assembly 4 x 52 TSB 730
9	56392156	1	Cable Assembly 4 x 52 TSB 730
10	56392159	1	Connector Assembly (Charger Plug)
11	56454376	2	Stud, 1/4-20
12	56462362	1	Switch Assembly (Charger Interlock)
13	56477613	10	Tie, Cable
14	56478246	24	Tie, Cable
15	56493357	2	Insulator, Terminal
16	56900753	2	Tie, Push Mount

**BA 700 After SN 1082068
All 28LX / 280HD**

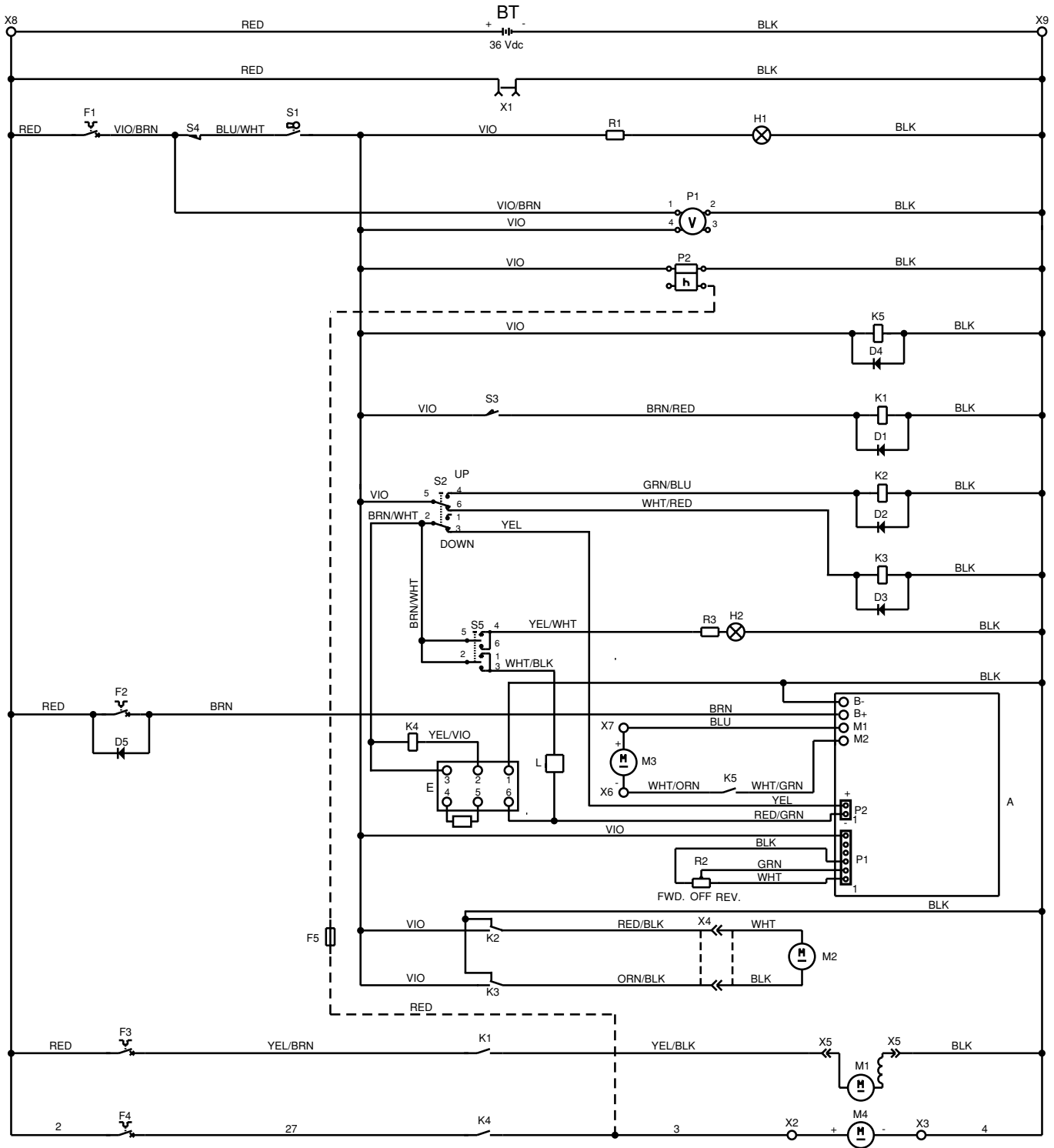


FRONT

95-4	ELECTRICAL SYSTEM-2	BOOK E		
00-12	28LX / 280HD / BA 700	E	5.6.1	41

Item	Ref. No.	Qty	Description
1	56001861	2	Scr, Hex Hd 1/4-20 x .38
2	56002040	2	Nut, Hex Jam 1/4-20
3	56009064	2	Wsh, Int Shprf 1/4
4	56363936	5	Cable Assembly 4 x 15 TSB 730
5	56372673	12	Boot, Battery Post
6	56392155	1	Cable Assembly 4 x 52 TSB 730
7	56392156	1	Cable Assembly 4 x 52 TSB 730
8	56392159	1	Connector Assembly
9	56392197	1	Harness, Wiring
10	56454376	2	Stud, 1/4-20
11	56462362	1	Switch Assembly (Charger Interlock)
12	56469858	2	Standoff, Insulated
13	56477613	10	Tie, Cable
14	56478246	24	Tie, Cable
15	56900753	2	Tie, Push Mount

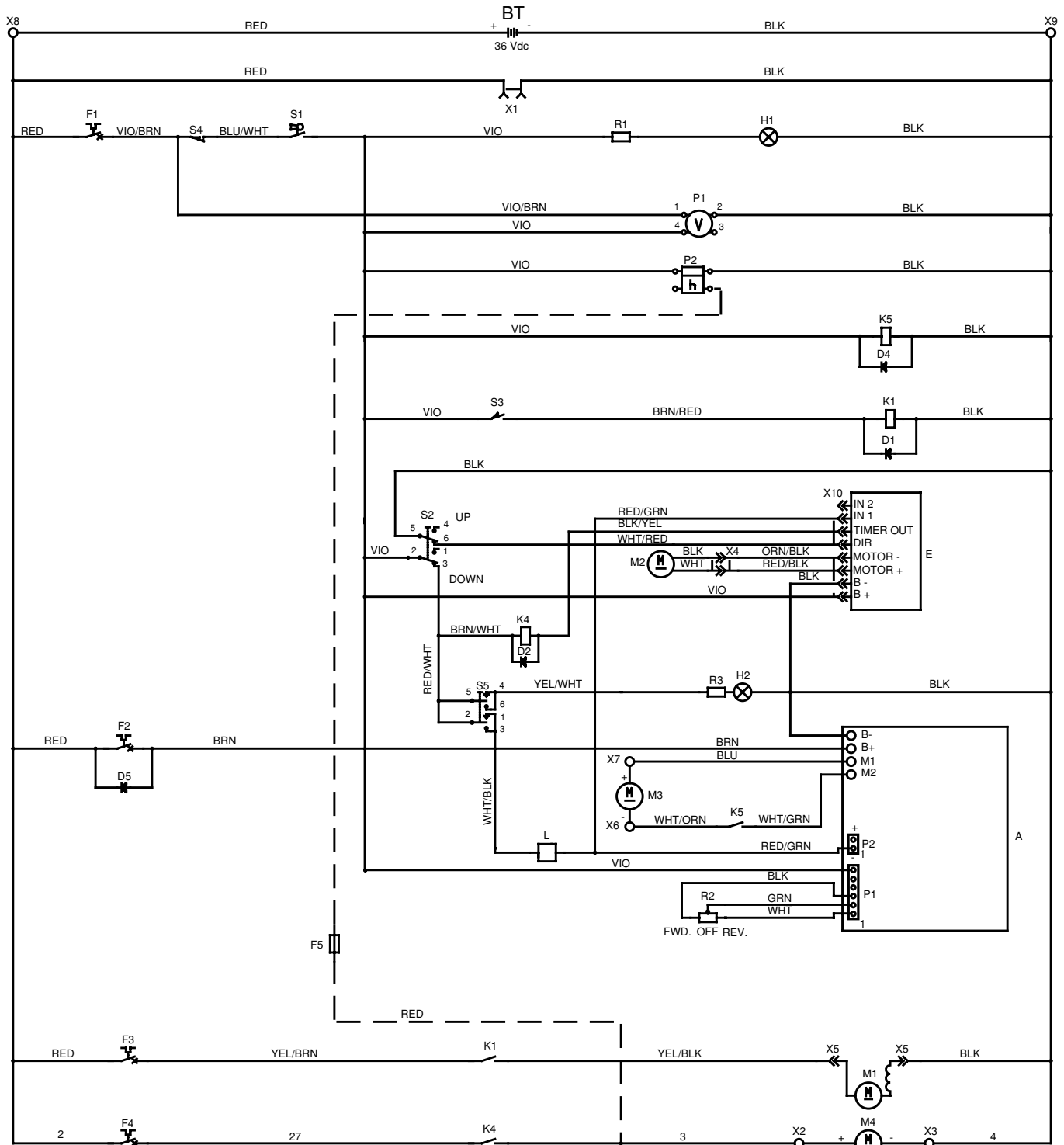
BA 700 Before SN 1082069



95-4	WIRING DIAGRAM-1	BOOK E		
01-2	28LX / 280HD / BA 700	E	5.6.1	43

Item	Ref. No.	Qty	Description
A	56391210	1	Speed Controller
BT		6	Battery 6V
D1	56389265	1	Suppression Diode
D2	56389265	1	Suppression Diode
D3	56389265	1	Suppression Diode
D4	56389265	1	Suppression Diode
D5			Regenerative Feedback Diode
E	56391357	1	Time Delay Module
F1	56387328	1	5 Amp Circuit Breaker (Control Circuit)
F2	56469788	1	25 Amp Circuit Breaker (Wheel Drive)
F3	56469788	1	25 Amp Circuit Breaker (Vacuum Motor)
F4	56454429	1	70 Amp Circuit Breaker (Brush Motor)
F5			4 Amp Fuse
H1	56389434	1	Green Indicator Light
H2	56324028	1	Blue Indicator Light
K1	56395452	1	Vacuum Motor Solenoid
K2	56388534	1	Actuator Motor Up Solenoid
K3	56388534	1	Actuator Motor Down Solenoid
K4	56395452	1	Brush Motor Solenoid
K5	56395452	1	Wheel Drive Motor Solenoid
L	56392161	1	Solenoid Valve
M1	56391208	1	Vacuum Motor
M2	56391627	1	Actuator Motor
M3	56388585	1	Wheel Drive Motor
M4	56409126	1	Brush Motor
P1	56393717	1	Battery Fuel Gauge
P2			Hour Meter (optional)
R1			330 Ohm Resistor
R2	56454740	1	5K Ohm Potentiometer
R3			330 Ohm Resistor
S1	56301636	1	Main Switch
S2	56393312	1	Brush Switch
S3	56324362	1	Vacuum Motor Switch
S4	56462362	1	Charger Interlock Switch
S5	56324272	1	Solution Switch TSB 663
X1	56392159	1	Charger Connector
X2			Brush Motor + Terminal Stud
X3			Brush Motor - Terminal Stud
X4			Actuator Motor Connector
X5			Vacuum Motor Connector
X6			Wheel Drive Motor - Terminal Stud
X7			Wheel Drive Motor + Terminal Stud
X8			+ Terminal Stud
X9			- Terminal Stud

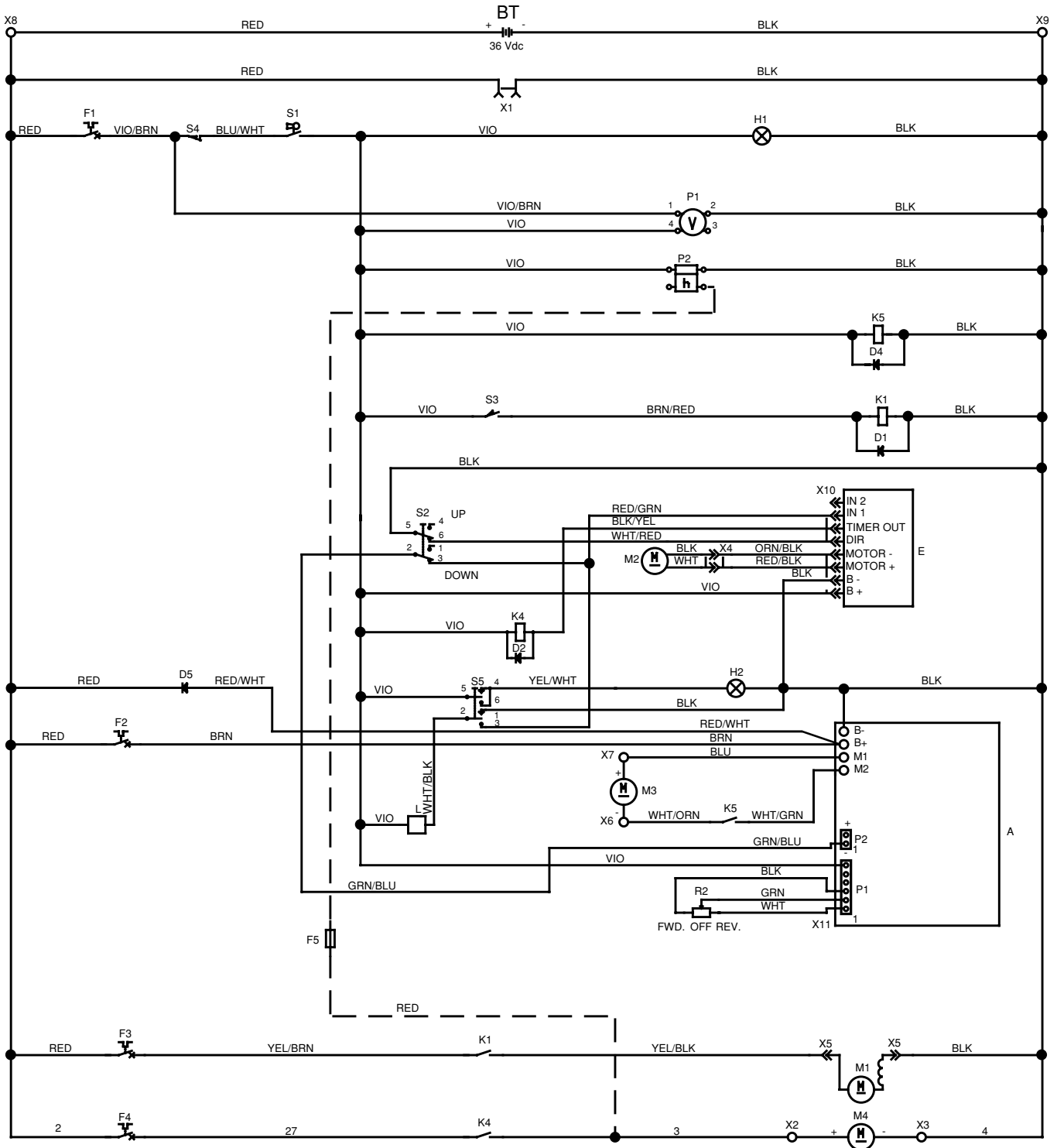
BA 700 Before SN 1082119 28LX / 280HD Before SN 1082119



95-4	WIRING DIAGRAM-2	BOOK E		
01-2	28LX / 280HD / BA 700	E	5.6.1	45

Item	Ref. No.	Qty	Description
A	56391210	1	Speed Controller
BT		6	Battery 6V
D1	56389265	1	Suppression Diode
D2	56389265	1	Suppression Diode
D4	56389265	1	Suppression Diode
D5			Regenerative Feedback Diode
E	56392173	1	Actuator Control Module
F1	56387328	1	5 Amp Circuit Breaker (Control Circuit)
F2	56469788	1	25 Amp Circuit Breaker (Wheel Drive)
F3	56469788	1	25 Amp Circuit Breaker (Vacuum Motor)
F4	56409230	1	80 Amp Circuit Breaker (Brush Motor)
F5			4 Amp Fuse
H1	56389434	1	Green Indicator Light
H2	56324028	1	Blue Indicator Light
K1	56395452	1	Vacuum Motor Solenoid
K4	56395450	1	Brush Motor Solenoid
K5	56395452	1	Wheel Drive Motor Solenoid
L	56392161	1	Solenoid Valve
M1	56391208	1	Vacuum Motor
M2	56391627	1	Actuator Motor
M3	56388585	1	Wheel Drive Motor
M4	56409126	1	Brush Motor
P1	56393717	1	Battery Fuel Gauge
P2			Hour Meter (optional)
R1			330 Ohm Resistor
R2	56454740	1	5K Ohm Potentiometer
R3			330 Ohm Resistor
S1	56301636	1	Main Switch
S2	56393312	1	Brush Switch
S3	56324362	1	Vacuum Motor Switch
S4	56462362	1	Charger Interlock Switch
S5	56324272	1	Solution Switch TSB 663
X1	56392159	1	Charger Connector
X2			Brush Motor + Terminal Stud
X3			Brush Motor - Terminal Stud
X4			Actuator Motor Connector
X5			Vacuum Motor Connector
X6			Wheel Drive Motor - Terminal Stud
X7			Wheel Drive Motor + Terminal Stud
X8			+ Terminal Stud
X9			- Terminal Stud
X10			Actuator Control Module Connector
X11			Speed Controller Connector

All Models After SN 1082118



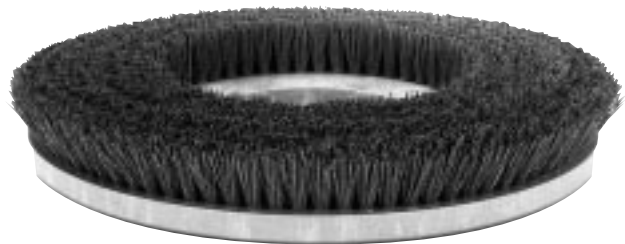
95-4	WIRING DIAGRAM-3	BOOK E		
01-2	28LX / 280HD / BA 700	E	5.6.1	47

Item	Ref. No.	Qty	Description
A	56391210	1	Speed Controller
BT		6	Battery 6V
D1	56389265	1	Suppression Diode
D2	56389265	1	Suppression Diode
D4	56389265	1	Suppression Diode
D5			Regenerative Feedback Diode
E	56392173	1	Actuator Control Module
F1	56387328	1	5 Amp Circuit Breaker (Control Circuit)
F2	56469788	1	25 Amp Circuit Breaker (Wheel Drive)
F3	56469788	1	25 Amp Circuit Breaker (Vacuum Motor)
F4	56409230	1	80 Amp Circuit Breaker (Brush Motor)
F5			4 Amp Fuse
H1	56389434	1	Green Indicator Light
H2	56324028	1	Blue Indicator Light
K1	56395452	1	Vacuum Motor Solenoid
K4	56395450	1	Brush Motor Solenoid
K5	56395452	1	Wheel Drive Motor Solenoid
L	56392161	1	Solenoid Valve
M1	56391208	1	Vacuum Motor
M2	56391627	1	Actuator Motor
M3	56388585	1	Wheel Drive Motor
M4	56409126	1	Brush Motor
P1	56393717	1	Battery Fuel Gauge
P2			Hour Meter (optional)
R2	56454740	1	5K Ohm Potentiometer
S1	56301636	1	Main Switch
S2	56393312	1	Brush Switch
S3	56324362	1	Vacuum Motor Switch
S4	56462362	1	Charger Interlock Switch
S5	56324272	1	Solution Switch TSB 663
X1	56392159	1	Charger Connector
X2			Brush Motor + Terminal Stud
X3			Brush Motor - Terminal Stud
X4			Actuator Motor Connector
X5			Vacuum Motor Connector
X6			Wheel Drive Motor - Terminal Stud
X7			Wheel Drive Motor + Terminal Stud
X8			+ Terminal Stud
X9			- Terminal Stud
X10			Actuator Control Module Connector
X11			Speed Controller Connector

We manufacture brushes and pad holders that will give you the best possible performance between machine and floor. Following are descriptions of the materials and their applications when used on the BA 700.

- Union Mix:** Medium grade natural fibers for polishing finished floors with standard-speed equipment. Recommended for use in place of white pads.
- ProLite:** Bristles are made from light-duty polypropylene for general scrubbing when you do not want to scratch or remove finish from the floor. Recommended for use in place of red pads.
- Prolene:** Polypropylene material for medium-duty scrubbing on concrete, terrazzo and vinyl floor tile. Recommended for use in place of green or blue pads.
- Magna Grit:** For extreme heavy-duty scrubbing or stripping of floors. This brush has extra large diameter silicon carbide grit impregnated synthetic bristles. Recommended for use in place of black pads.
- Dyna Grit:** For aggressive, heavy-duty scrubbing or stripping of floors. Recommended for use in place of brown pads.
- MidLite Grit:** For general purpose scrubbing of sealed or unsealed concrete, stone, terrazzo, quarry tile and other resilient hard floor surfaces. Recommended for use in place of green or blue pads.
- MidGrit:** For general purpose scrubbing when you need a lighter action for sealed or unsealed concrete, stone, terrazzo, quarry tile and other resilient hard floor surfaces. Recommended for use in place of green or blue pads.
- AgLite Grit:** For light scrubbing when used wet; buffing or polishing when used dry on urethane coated, sealed concrete or other resilient hard surface floors. Recommended for use in place of red or white pads.
- Short Trim Pad Holder:** Made with a structural foam block and center ring for correct pad centering. It has a "shower feed" design for getting solution to the floor.

- Ref. No.:** 56505776 - Union Mix
 56505774 - Prolene
 56505772 - Dyna Grit
 56505777 - MidGrit
 56505750 - Short Trim Pad Holder
 56505755 - ProLite
 56505751 - Magna Grit
 56505758 - MidLite Grit
 56505753 - AgLite Grit



DANMARK

Nilfisk-Advance Nordic A/S
 Myntevej 3, 8900 Randers
 ☎ 86 42 84 33 – Fax 86 41 19 55

NORGE

Nilfisk-Advance AS
 Enebakkn, 119, 0680 Oslo, Postboks 196, Manglerud,
 0612 Oslo
 ☎ 22 08 63 50 – Fax 22 08 63 63
 Distriktsrepresentanter over hele landet

SVERIGE

Nilfisk-Advance AB
 Sjöbjörnsvägen 5, 117 67 Stockholm
 ☎ 085 55 944 00 – Fax 085 55 944 30

FINLAND/ SUOMI

Oy Tecalemit AB
 Hankasuontie 13, 00390 Helsinki
 ☎ (89) 547 701 – Fax (89) 547 1779

AUSTRALIA

Nilfisk-Advance Pty. Ltd.
 ACN 003 762 623
 Head office: 17 Leeds Street, Rhodes, N. S. W. 2138
 ☎ (02) 9736 1244 – Fax (02) 9736 3910
 Customer Responce Centre:
 ☎ 1 800 011 013

BELGIQUE / BELGIË/ LUXEMBOURG

Nilfisk-Advance s.a./n.v.
 Doornveld/ Sphere Business Park
 Industrie Asse 3, nr 11 – bus 41
 1731 Zellik-Asse
 ☎ (02) 467.60.50 Fax (02) 463.44.16

CANADA

Nilfisk-Advance Ltd.
 396 Watline Avenue
 Mississauga, Ontario L4Z 1X
 ☎ (905) 712-3260 – Fax (905) 712-3255

DEUTSCHLAND

Nilfisk-Advance AG
 Siemensstraße 25-27
 25462 Rellingen
 ☎ (041 01) 3990 – Fax (04101) 399191
 Zentraler Kundenservice
 ☎ für die Industrie: 0180 535 67 97
 ☎ Institutionen und Gebäudereiniger: 0180 500 11 70

FRANCE

Nilfisk-Advance S.A.
 BP 246
 91944 Courtaboeuf Cedex
 ☎ (01) 69.59.87.00 Télécopie (01) 69.59.87.01

HONG KONG

Nilfisk-Advance Ltd.
 2001, 20/F HK Worsted Mills
 Industrial Building
 31-39 Wo Tong Tsui Street
 Kwai Chung, N.T.
 ☎ 2427 59 51 – Fax 2487 5828

IRELAND

Nilfisk-Advance Ltd.
 28 Sandyford Office Park
 Dublin 18
 ☎ +353 1 2943838 – Fax +353 1 2943845

JAPAN

Nilfisk-Advance Inc.
 3-4-9 Chigasaki Minami
 Tsuzuki-Ku Yokohama 224
 ☎ 045-942-7741 – Fax 045-942-6545

MALAYSIA

Nilfisk-Advance Sdn Bhd
 Lot 2, 1st. Floor
 Lorong 19/1A
 46300 Petaling Jaya
 Selangor Darul Ehsan
 ☎ 03-7568188 / 03-7568189 / 03-7568388 – Fax 03-7566828

NEDERLAND

Nilfisk-Advance B.V.
 Flevolaan 7, Postbus 341
 1380 AH Weesp
 ☎ 0294-462121 – Fax 0294-430053

NEW ZEALAND

Nilfisk-Advance Limited
 477 Great South Road, Penrose
 Auckland
 ☎ (09) 525 0092 – Fax (09) 525 6440

SCHWEIZ / SUISSE

Nilfisk-Advance AG
 Ringstrasse 19, 9533 Kirchberg/Wil
 ☎ 719 23 52 83 – Fax 719 23 84 44

SINGAPORE

Nilfisk-Advance Pte. Ltd.
 10, Woodlands Loop
 Singapore 738388
 ☎ (65) 759 9100 – Fax (65) 759 9133

TAIWAN

Nilfisk-Advance Ltd.
 1 F, No.23, Lane 132, Sec. 2
 Ta An Road, Taipei
 ☎ 700 22 68 – Fax 784 08 43

UNITED KINGDOM

Nilfisk-Advance Limited
 Newmarket Road
 Bury St. Edmunds
 Suffolk IP 33 3SR
 ☎ (01284) 763163 – Fax (01284) 750562

USA

Nilfisk-Advance Inc.
 14600 21st Avenue North
 Plymouth, MN 55447-3408
 ☎ +1 800 989 2235 – Fax 1 800 989 6566

Nilfisk-Advance of America, Inc.
 300 Technology Drive
 Malvern, PA 19355
 ☎ (610) 647 647-6427

ÖSTERREICH

Nilfisk-Advance GmbH
 Vorarlberg Allee 46
 1230 Wien
 ☎ 1 616 58 30 – Fax 1 616 58 30 40

ESPAÑA

Nilfisk-Advance, S.A.
 Torre D'Ara
 Passeig del Rengle, 5 Pl.9-10
 E-08302 – Mataró (Barcelona)
 ☎ Tel. 93 741 24 00 – Fax: 93 757 80 20
 Central atención al cliente: 902 200 201
nilfisk@nilfisk-advance.es – www.nilfisk-advance.com
 Distribuidores y Servicio Técnico en toda España y Andorra

ITALIA

Nilfisk-Advance Italia Spa
 Località Novella Terza
 26862 Guardamiglio (LO)
 Italy
 ☎ +39 0377 414021 – Fax +39 0377 414097
www.nilfisk-advance.com

PORTUGAL

Nilfisk-Advance Lda.
 Rua Cândido de Figueiredo, 91-i, 1500-133 LISBOA
 ☎ 01/7784142 – Fax 01/7785613
 Porto 02/526766 – Fax 02/520739
 Açores 096/628092/3 – Fax 096/628129
 Madeira 091/228965 – Fax 091/228796

GREECE

Embiom S.A.
 Λεωφ. Βουλιαγμένης 60
 Αργυρούπολη
 164 52 Αθήνα
 ☎ 9950613 - Fax 9951680



Material composition of the Nilfisk BA 700

