

Hydro-Retriever™ 260BHD



PARTS LIST

Advance MODEL 56372210(Obsolete)

This parts list is for machines after serial number 024123



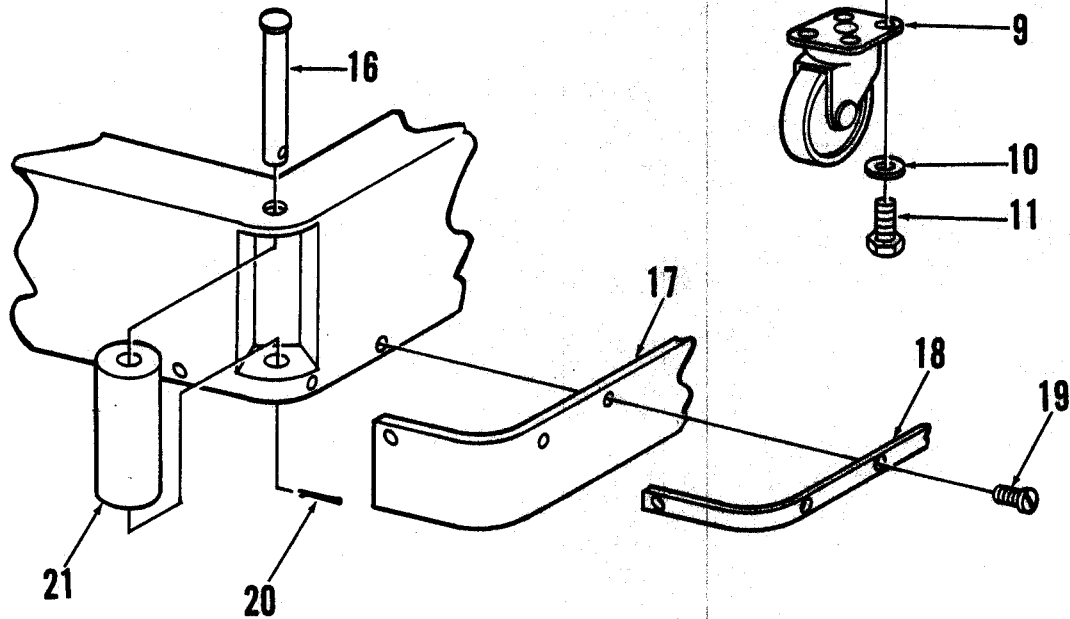
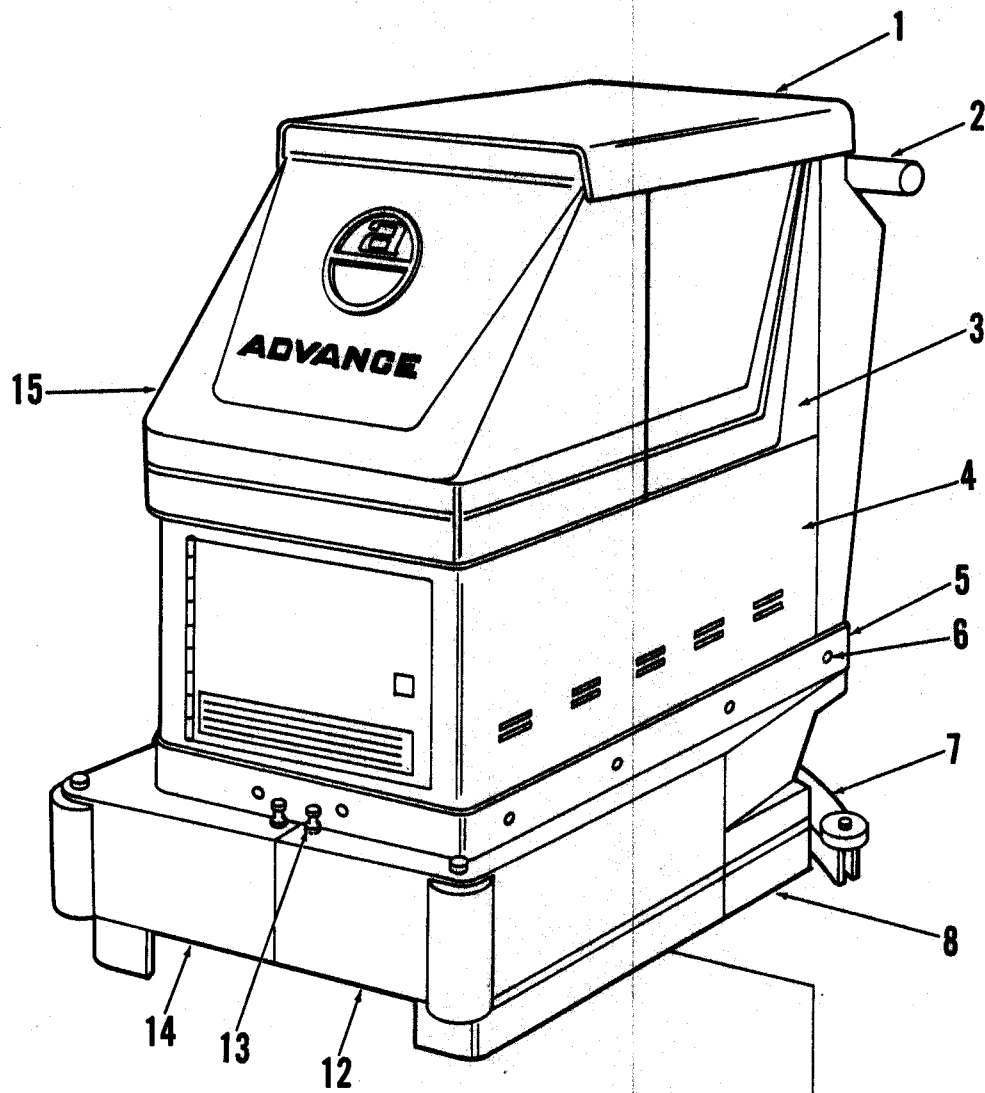
**Nilfisk
Advance**

setting standards

5/85 revised 2/01 FORM NO. 56042132

Index for Form Number 042132

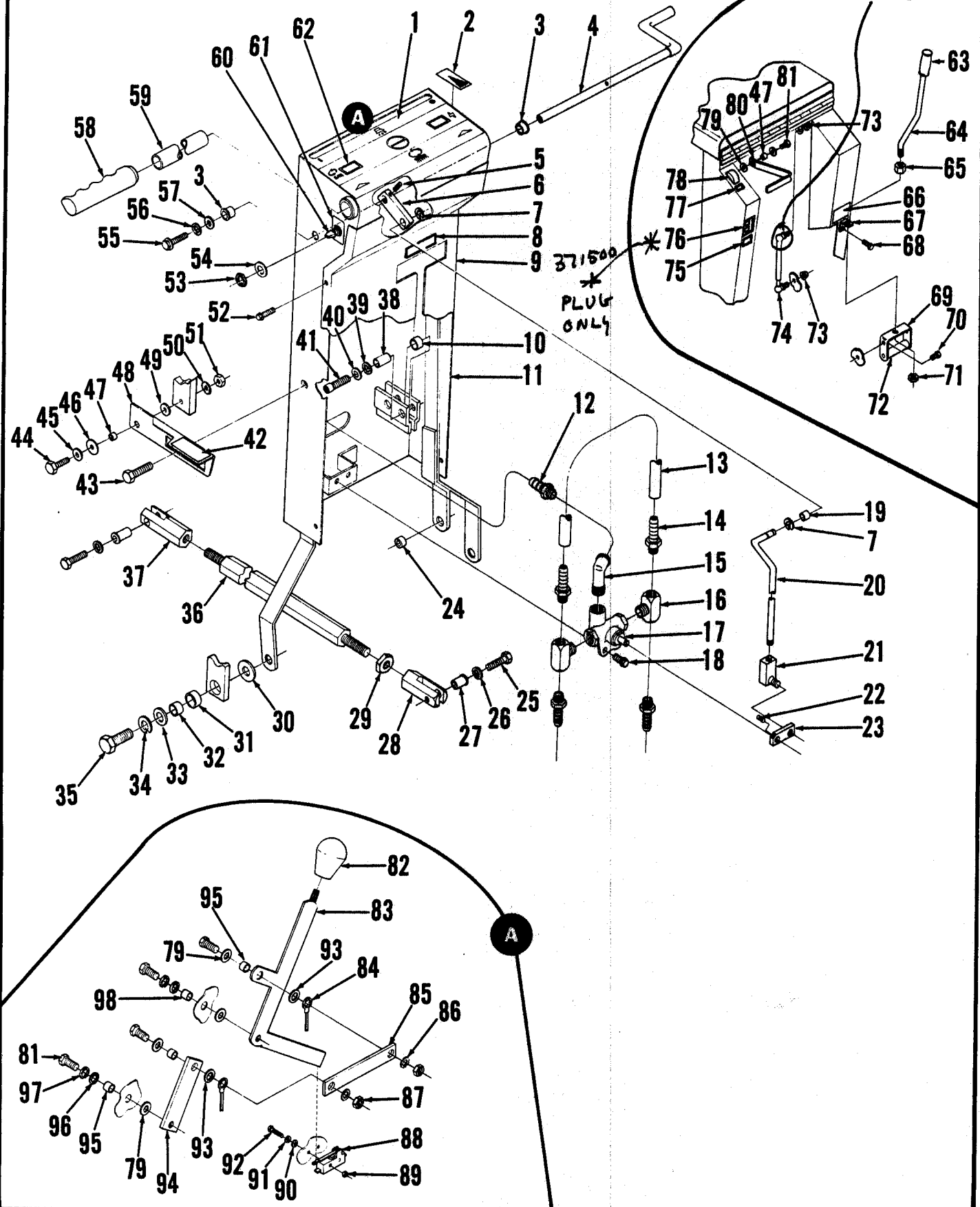
Description	Location	page
Brush Drive	B5	13
Caster, Skirts & Outer Body	A6	1
Chassis and Battery Case System	B13	3
Handle System	B11	1
Motors & Battery Housing	A10	5
Solution Valve & Control Handle	A8	3
Squeegee	B3	11
Tanks & Hood	B1	9
Vacuum Motor (internal parts)	B7	15
Wheels & Brush Lift Linkage	A12	7
Wiring Diagram	B9	17



HOUSING ASSEMBLY

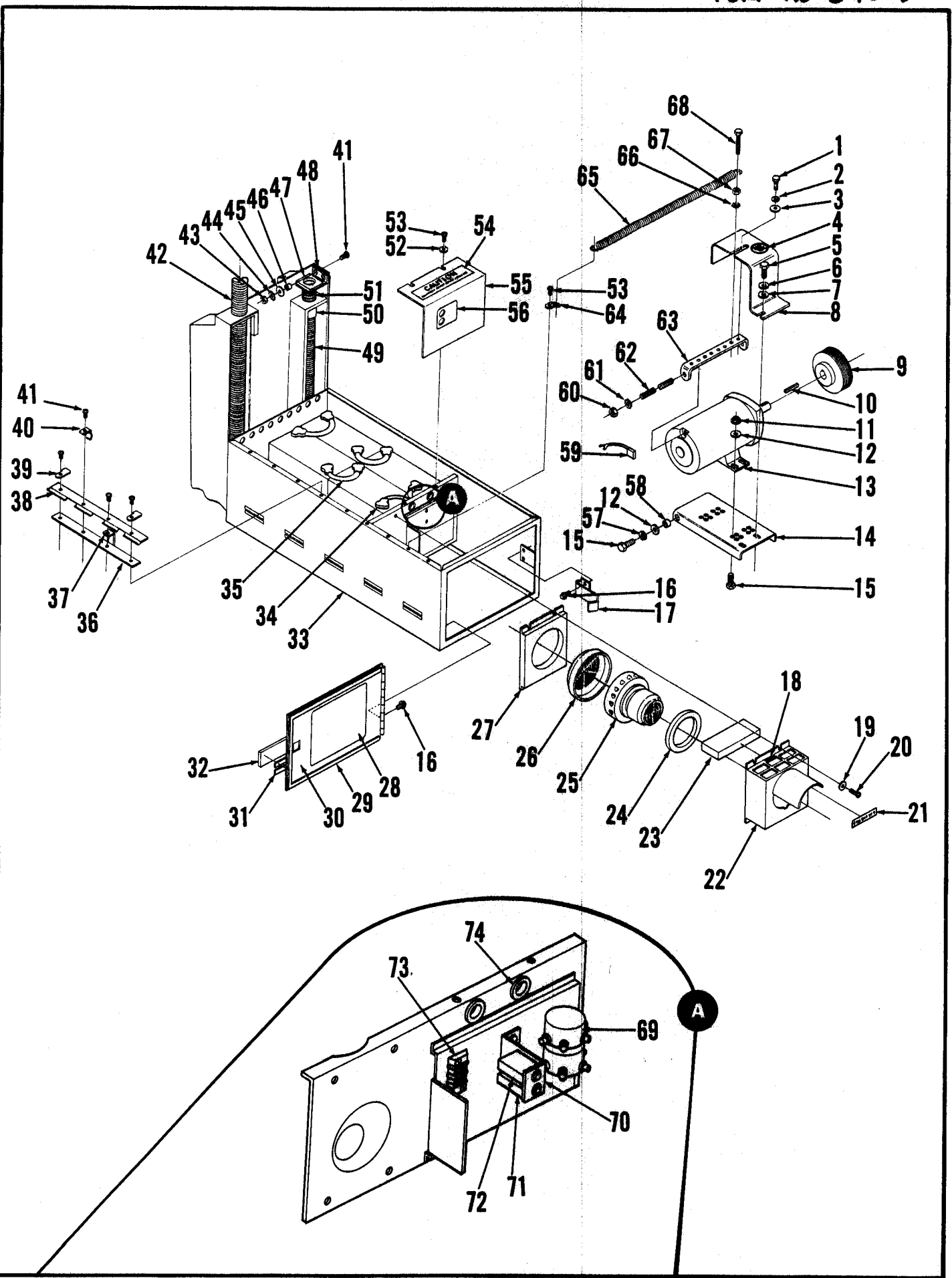
Item	Part No.	Qty	Description
1	372710	1	Hood Assembly
2	372630	1	Control Panel Assembly
3	372306	1	Recovery Tank Assembly
4	372238	1	Battery Housing Assembly
5	371963	1	Bumper, Chassis
6		10	Screw #10-24 x .50
7	372750	1	Squeegee Tool Assembly
8	372925	1	Skirt Assembly, Left Rear
	372902	1	Skirt Assembly, Right Rear c/o
	372926	1	Skirt Weldment, Left Rear
	372904	1	Skirt Weldment, Right Rear
	372920	2	Guard, Rear
	372936	1	Strap, Left
	372918	1	Strap, Right
	372929	10	Screw #10-24 x .50
9	365629	1	Caster, Swivel
10		4	Washer Lock
11		4	Screw 3/8-16 x 1.00
12	372865	1	Skirt Assembly, Left Front
	372866	1	Skirt Weldment, Left Front
13	365548	2	Lock Assembly TSB 600 - G10
14	372830	1	Skirt Assembly, Right Front
	372832	1	Skirt Weldment, Right Front
15	372312	1	Solution Tank Assembly
16	372882	2	Pin
17	372876	2	Guard, Front
18	372874	2	Strap, Front
19	381351	12	Screw
20		2	Cotter Pin
21	372740	2	Bumper, Roller

STUD SWIVEL
385252



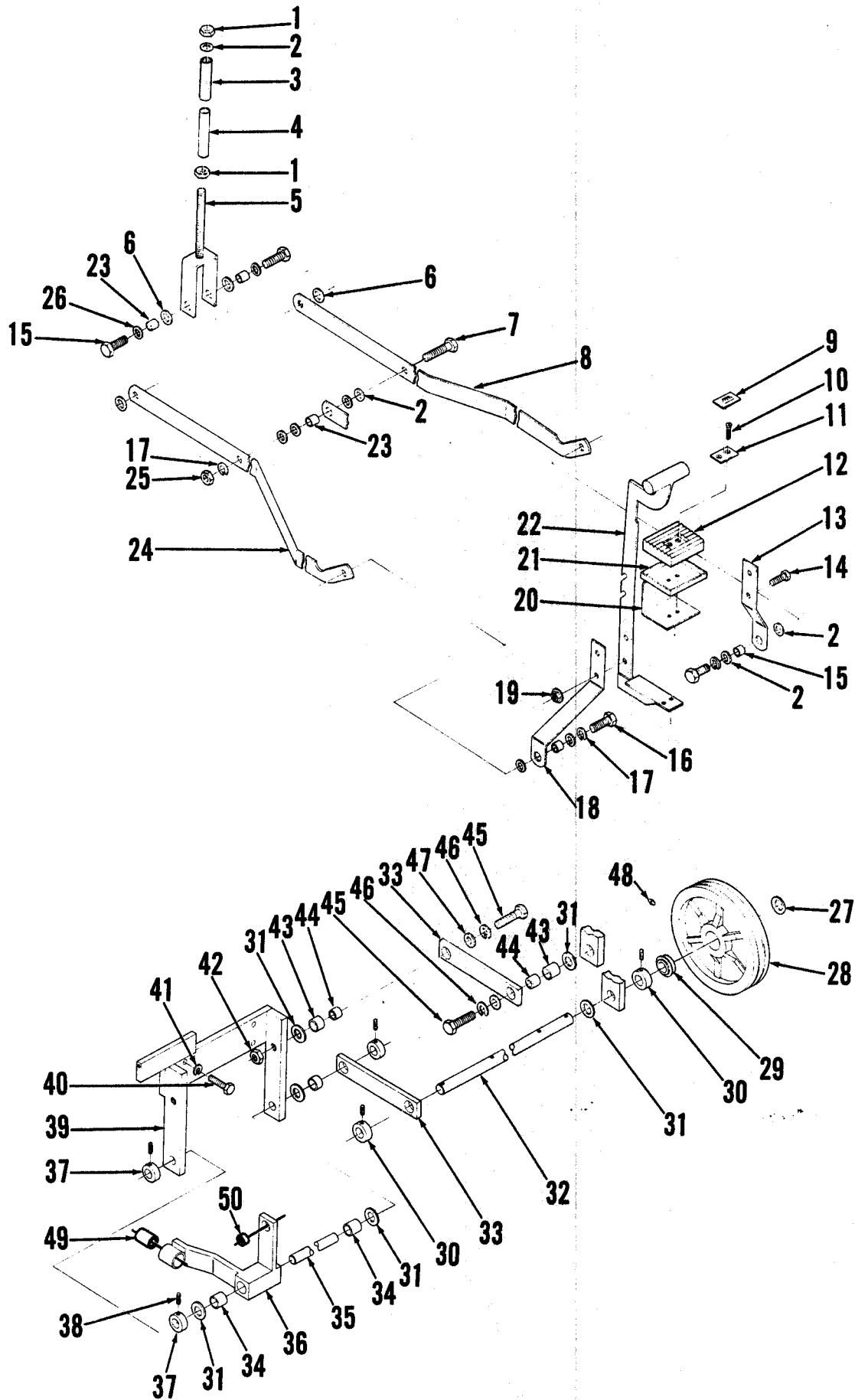
CONTROL HANDLE ASSEMBLY

Item	Part No.	Qty	Description	Item	Part No.	Qty	Description
1	016414	1	Decal, Control Panel	54	372858	2	Washer
2	016334	1	Decal, Solution Valve	55		1	#10-24 x .375 Screw
3	329098	2	Bushing	56		1	Lock Washer
4	373459	1	Handle	57		1	Washer
5		1	Pin	58	514085	2	Handle Grip
6	373457	1	Lifter Arm	59	372828	1	Tube
7	373797	2	Retaining Ring	60	207075	2	Toggle Switch
8	054195	1	Decal, Brush	61	016616	1	Decal, Brush Switch (Left)
9	372266	1	Cover	61	016112	1	Decal, Main Switch (Right)
10	365088	2	Bushing	62	467410	2	Indicator Light
11	372260	1	Handle	63	471193	1	Knob
12	373456	1	Barb	64	372956	1	Drain Lever
13	379108	1	Tube	65	372958	1	5/16-18 Nut
14	155640	4	Barb	66	016396	1	Decal, Drain Valve
15	369632	1	Elbow	67	372662	1	Latch
16	372506	2	Tee	68		2	1/4-20 x 1 Screw
17	368881	1	Valve	69	372652	1	Pivot
18		2	Screw	70		2	1/4-20 x .5 Screw
19	373795	1	Bearing	71		1	5/16-18 Whiz Nut
20	373453	1	Lever	72	372650	1	Roller
21	373462	1	Ball Joint	73		2	5/16-18 Nut
22		1	#10-24 x .25 Screw	74	385238	1	Cylinder
23	373455	1	Arm	75	054192	1	Decal, Charger Plug
24	366633	1	Bearing	76	372972	1	Charger Connector w/wires
25		2	3/8-16 x 1.25 Bolt		371500	1	Red Connector only
26		2	Lock Washer	77	016114	1	Decal
27	366625	2	Bushing	78	364210	1	Volt Meter
28	366617	1	Right Yoke	79	150142	6	Washer
29		1	1/2-13 Nut	80	364506	1	Grip
30	367192	2	Washer	81		5	1/4-20 x .625 Screw
31	367168	2	Bearing	82	364527	1	Knob
32	367206	2	Bushing	83	372638	1	Lever
33	367214	2	Washer	84	384909	2	Wire Rope
34		2	Lock Washer	85	374944	1	Bar
35		2	1/2-13 x 1.25 Bolt	86		2	Lock Washer
36	372005	1	Rod	87		2	1/4-20 Nut
37	366609	1	Left Yoke	88	388019	1	Switch
38	365089	2	Bushing	89		2	#6-32 Nut
39		2	Lock Washer	90		2	Washer
40		2	Washer	91		2	Lock Washer
41		2	3/8-16 x 1 Bolt	92		2	#6-32 x .875 Screw
42	016386	1	Decal	93		2	Washer
43		1	3/8-16 x 1.25 Bolt	94	374942	1	Lifter Bar
44		1	1/4-20 x 1.5 Screw	95	379928	3	Bushing
45		2	Washer	96		2	1/4 Washer
46	151068	1	Washer	97		2	Lock Washer
47	368997	2	Bushing	98	206784	1	Bushing
48	367636	1	Latch				
49	151041	1	Spring Washer				
50		1	Lock Washer				
51		1	1/4-20 Nut				
52		4	#6-32 x .5 Screw				
53		2	Nut				



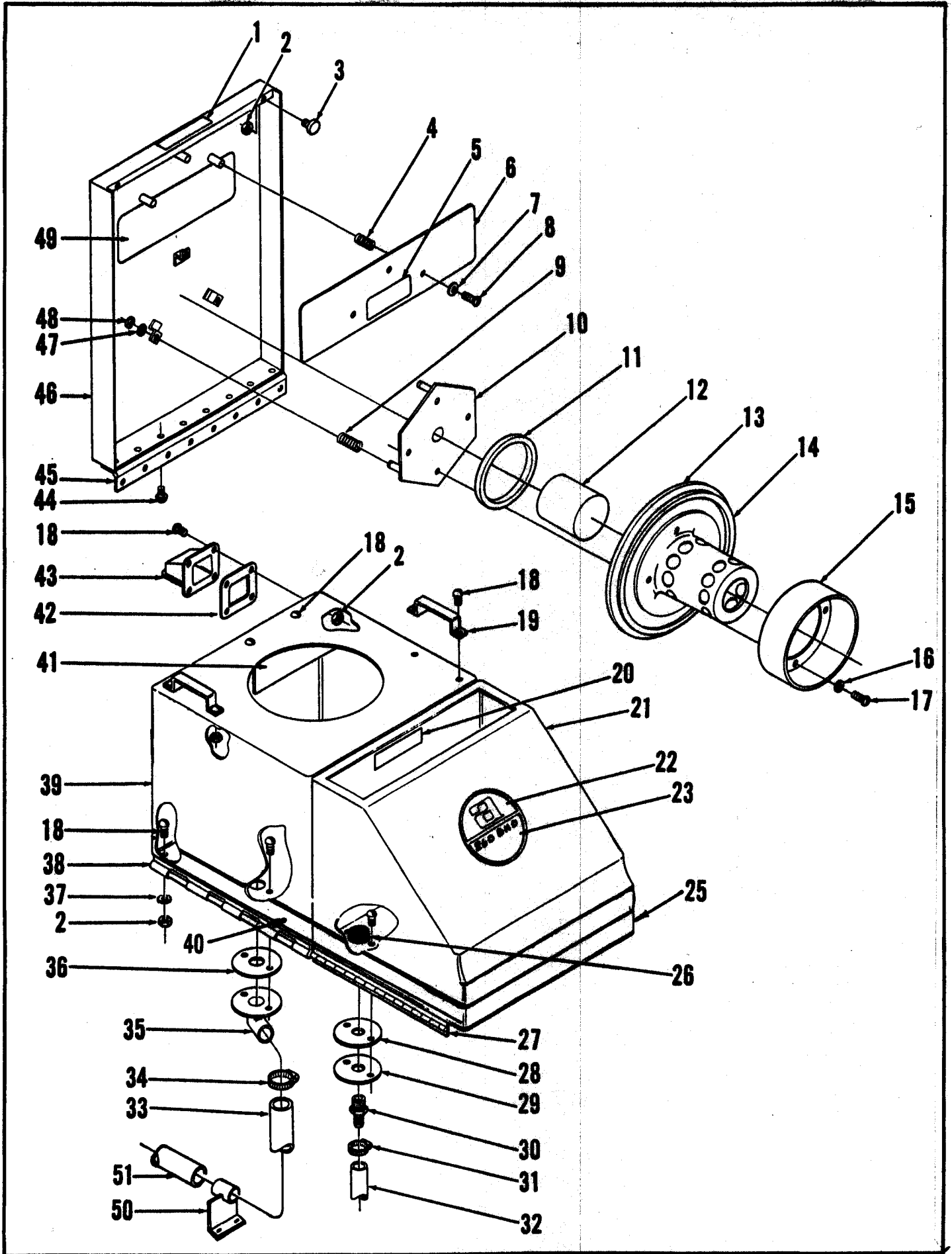
BATTERY HOUSING

Item	Part No.	Qty	Description	Item	Part No.	Qty	Description
1		1	Screw	53		7	Screw
2		1	Washer Lock	54	025363	1	Decal, Caution
3		1	Washer	55	372272	1	Cover, Solenoid
4	030080	1	Decal, Hands Clear	56	016122	1	Decal, Circuit Breaker
5		1	Screw	57		2	Washer Lock
6		1	Washer Lock	58	368989	2	Bushing
7		1	Washer	59	448729	1	Carbon Brush (Set of 4)
8	372302	1	Guard, Belt	60		2	Nut
9	372626	1	Sheave	61		2	Washer Lock
10	367958	1	Key	62	379811	1	Stud
11		4	Nut Whiz 1/4-20	63	372235	1	Bracket, Spring
12		6	Washer	64	300225	1	Clip, Spring
13	372765	1	Motor	65	371114	1	Spring
	448729	1	Carbon Brush (set of 4)	66		1	Washer Lock
14	372300	1	Mounting Plate, Motor	67		1	Nut 1/4-20
15		6	Screw 1/4-20 x .75	68		1	Screw 1/4-20 x 1.50
16		7	Screw #10-24 x .375	69	468358	2	Solenoid 24V
17	372700	1	Latch, Door	70	372686	1	Bracket, Circuit Breaker
18	016591	1	Decal, 24V	71	386725	1	Circuit Breaker 50A
19		4	Washer	72	180275	1	Circuit Breaker 15A TSB 375 - G12
20		4	Screw #10-32 x .50	73	380548	1	Terminal Block
21	016546	1	Decal	74	570206	2	Grommet
22	372268	1	Adapter, Vacuum Motor	75	374905	1	Battery Tray *
23	380922	1	Filter				
24	209325	1	Gasket, Vacuum Motor				* = Not Shown
25	202305	1	Motor, Vacuum				
26	384898	1	Filter				
27	375335	1	Gasket				
28	016390	1	Decal, Wiring				
29	200754	1	Gasket				
30	372256	1	Door				
31	530703	2	Tape				
32	016149	1	Grill				
33	372246	1	Housing, Battery				
34	372673	6	Boot, Battery Cable				
35	363928	3	Cable Assembly, Battery				
36	385414	1	Plate, Nut				
37	373794	1	Clip, Hose				
38	361674	1	Hinge				
39	381053	2	Clip, Hinge				
40	373791	1	Clip, Hose				
41		6	Screw #10-24 x .50				
42	372666	1	Hose, Vacuum				
43		2	Nut #10-24				
44		2	Washer Lock				
45		2	Washer				
46	151092	2	Bushing				
47	385055	1	Gasket				
48	385054	1	Tube				
49	550941	1	Hose Assembly				
50	207306	2	Cuff, Hose				
51	404800	1	Spring				
52		2	Washer				



DRIVE UNIT

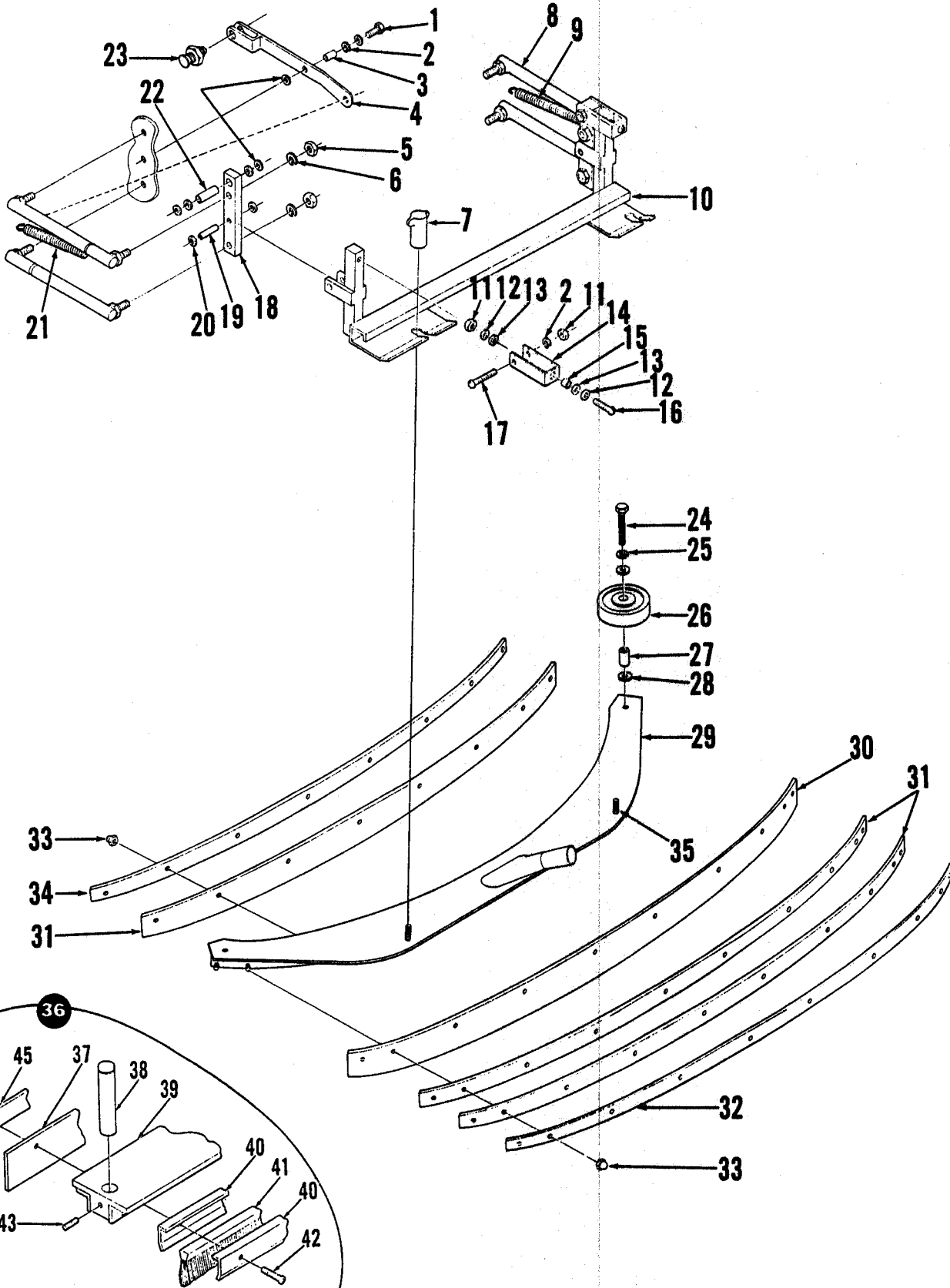
Item	Part No.	Qty	Description
1		2	Nut, 1/2-13
2	367214	26	Washer
3	372129	1	Spring
4	372110	1	Spacer
5	372102	1	Yoke
6		4	Washer, 5/8
7		1	Screw, 1/2-13 x 1.75
8	372154	1	Arm, Right
9	016281	1	Decal, Brush
10		2	Screw, Flat Hd. 1/4-20 x 1
11	365081	1	Plate
12	365086	1	Pad, Rubber
13	373606	1	Plate, Right
14		2	Screw, 3/8-16 x 1.25
15	365030	2	Bushing
16		4	Screw, 1/2-13 x 1
17		2	Washer, Lock
18	373614	1	Plate, Left
19		2	Nut, 3/8-16
20	380255	1	Guard, Foot
21	365087	1	Cup, Pedal
22	372147	1	Pedal
23	360627	3	Bushing
24	372162	1	Arm, Left
25		1	Nut, 1/2-13
26		2	Washer, Lock
27	362882	2	Washer, Bowed
28	377945	2	Wheel
29	362352	4	Ball Bearing
30	367095	4	Collar
31	367192	10	Washer
32	372196	1	Axle
33	372708	4	Arm, Drive Unit
34	367389	2	Bearing, Sleeve
35	367346	1	Shaft
36	366581	1	Lever
37	367354	3	Collar
38		5	Screw, Socket Set
39	550569	1	Bracket, Gear Case
40		4	Screw 3/8-16 x 1
41		4	Washer, Lock
42	441236	2	Nut, Spring Lock
43	367168	8	Bearing
44	367206	6	Bushing
45		4	Screw 1/2-13 x 1.5
46		4	Washer, Lock
47		4	Washer
48	101737	2	Fitting, Grease
49	114545	1	Bushing, Rubber
50	366633	1	Bearing, Sleeve



HOOD AND TANKS

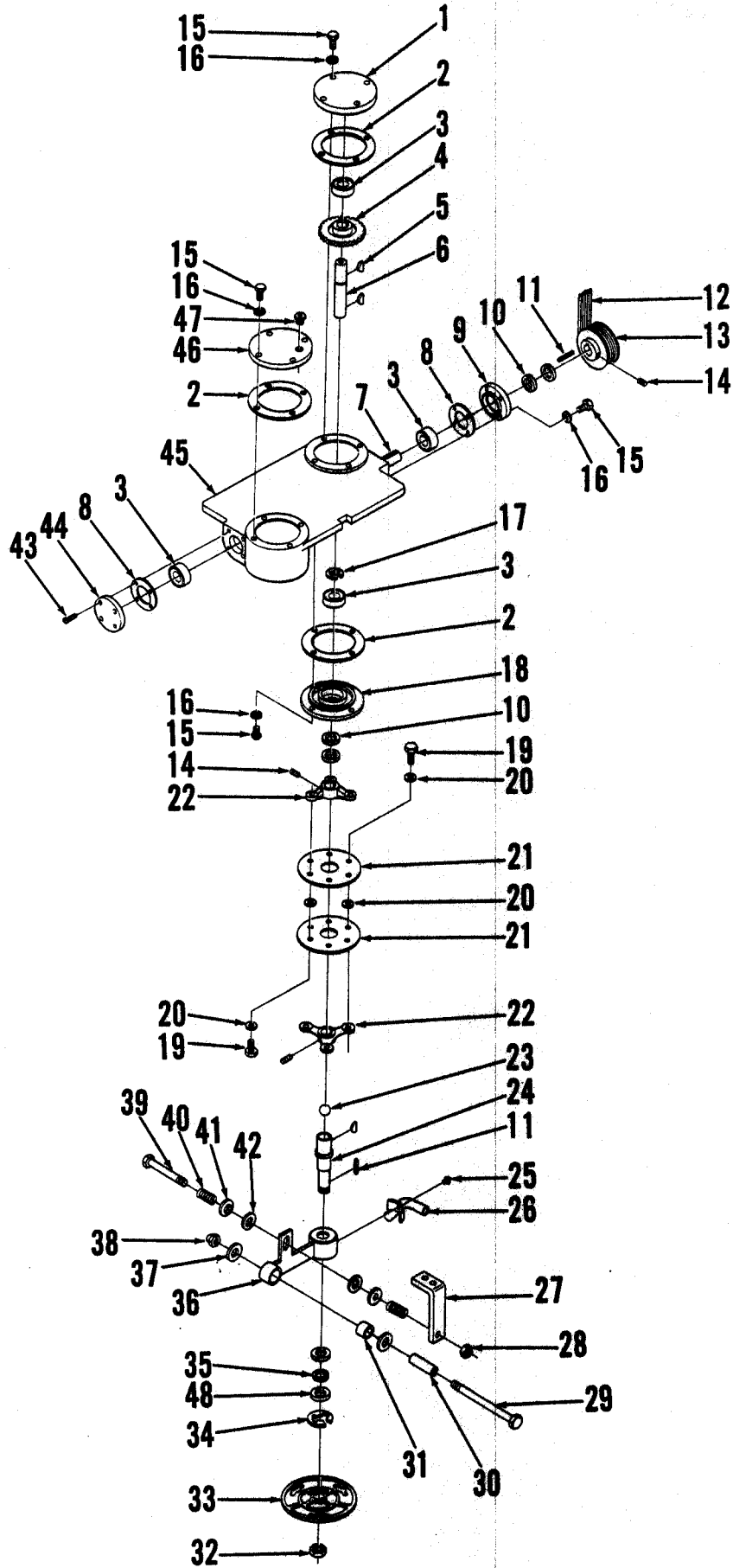
Item	Part No.	Qty	Description
1	016358	1	Decal, Hood
2		23	Nut 1/4-20
3	386312	2	Stop, Hood
4	372724	3	Spring
5	016185	1	Decal, Low Sudsing
6	372726	1	Cover, Solution Tank
7	325276	3	Washer
8	372728	3	Screw Brass #6-32 x .50
9	379170	3	Spring
10	372538	1	Mount
11	372716	1	Gasket
12	385198	1	Float
13	385237	1	Cover
14	372718	1	Gasket
15	379206	1	Deflector
16		4	Washer
17		4	Screw #10-24 x .375
18		31	Screw Brass 1/4-20 x .625
19	372296	2	Handle
20	016057	1	Decal
21	372314	1	Tank, Solution
22	024958	1	Emblem, Advance
23	016388	1	Decal, 260BHD
24	—	-	intentionally omitted
25	372406	1	Bumper
	372408	1	Strap
	376608	15	Well Nut
26	379125	1	Strainer
27	372332	1	Hinge
28	380763	1	Gasket
29	379202	1	Plate
30	372320	1	Insert, Barbed
31	219932	2	Clamp, Hose
32	375406	1	Hose, Solution
33	372222	1	Hose, Drain
34	329145	2	Clamp, Hose
35	374672	1	Drain
36	204161	1	Gasket
37		11	Washer Lock
38	374560	1	Hinge
39	372308	1	Tank, Recovery
40	372402	2	Bumper
	372400	2	Strap
41	385234	1	Plate, Deflector
42	374558	1	Gasket
43	372304	1	Inlet Adapter
44		8	Screw #10-24 x .31
45	372693	1	Hinge, Hood
46	372276	1	Hood
47		3	Washer
48	321125	3	Retaining Ring
49	016225	1	Decal, Maintenance
50	372962	1	Bracket Weldment
51	380712	1	Drain Hose

PARTS NOT SHOWN ON
 SQUEEGEE MOUNT, ITEM 10:
 TURNBUCKLES (QTY 2) #374940
 JAM NUT (QTY 2) 5/16 - 24 LEFT HAND



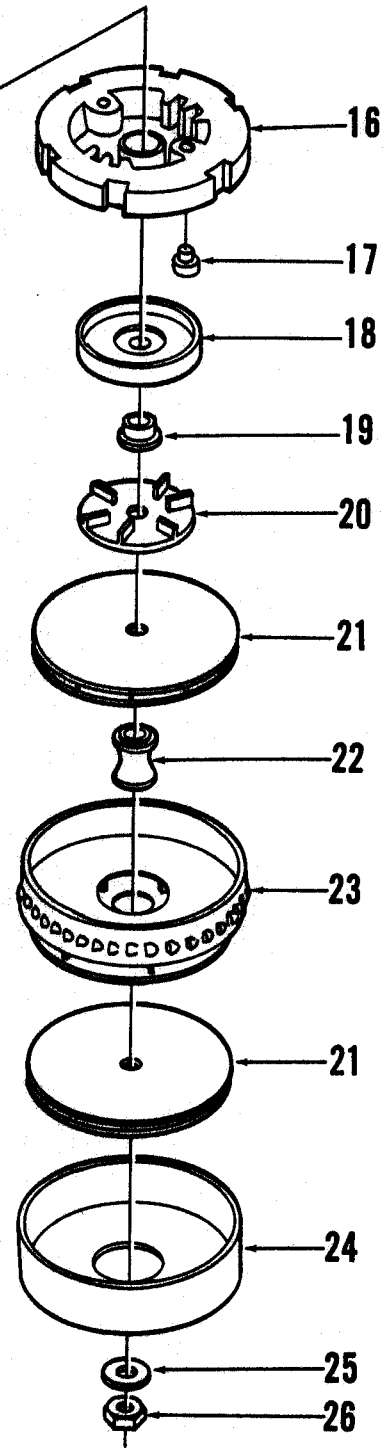
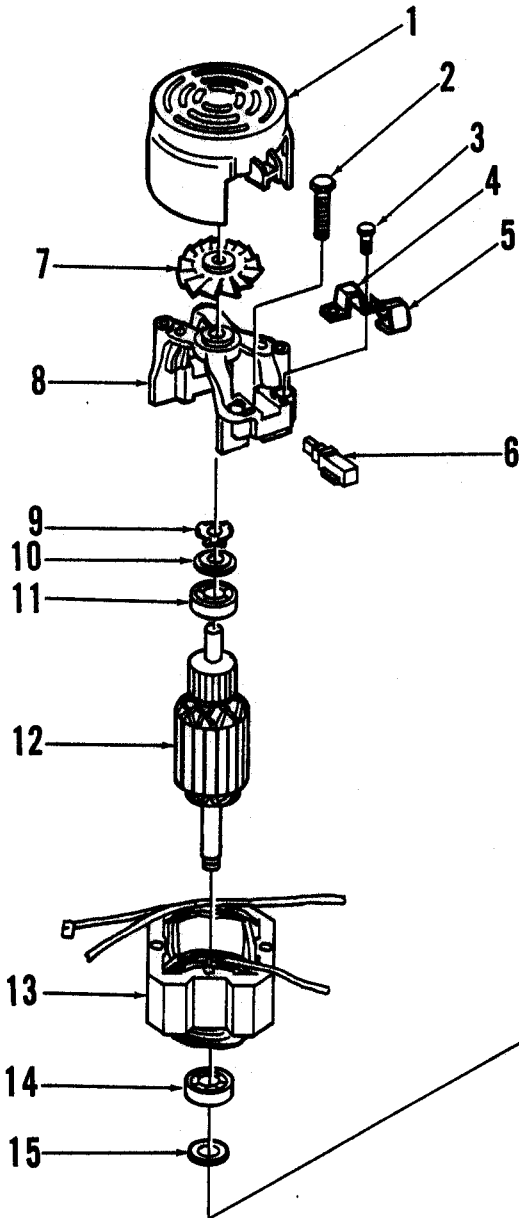
SQUEEGEE AND MOUNT

Item	Part No.	Qty	Description
1		2	Screw 1/4-20 x .625
2		4	Washer Lock 1/4
3	206784	2	Bushing
4	371831	1	Arm, Left
	371858	1	Arm, Right (not shown)
5		4	Nut 5/16-24
6		4	Washer Lock
7	370711	2	Thumb Nut
8	365289	4	Joint, Double Ball
9	371866	1	Spring, Right Hand
10	371795	1	Squeegee Mount
11		4	Nut 1/4-20
12		14	Washer 1/4
13	163880	4	Washer Spring
14	371823	2	U-Clamp
15	206784	2	Bushing
16		2	Screw 1/4-20 x 1.75
17		2	Screw 1/4-20 x 1.50
18	371807	2	Bar, Adjusting
19		2	Roll Pin TSB 392 - G11
20	150142	4	Washer
21	371866	1	Spring, Left Hand
22	366862	2	Bushing
23	365548	2	Lock Assembly
24		2	Screw 14-20 x 1.50
25		2	Washer Lock
26	363855	2	Wheel
27	471220	2	Bushing
28		4	Washer
29	372752	1	Tool
30	372766	1	Blade, Gum Rubber
31	372764	3	Blade, Neoprene
32	372772	1	Strap, Outer
33	372776	18	Nut Brass #10-24
34	372770	1	Strap, Inner
35		2	Screw 5/16-18 x 3/4
36	550400	1	Dry Pick-Up Tool
37	371033	1	Blade
38	370983	2	Axle
39	371045	1	Tool
40	550412	2	Plate
41	550407	1	Brush Strip
42	378228	10	Screw
43		2	Screw Set 1/4-20 x 3/16
44	378236	10	Screw
45	371025	1	Strap, Front



GEAR CASE

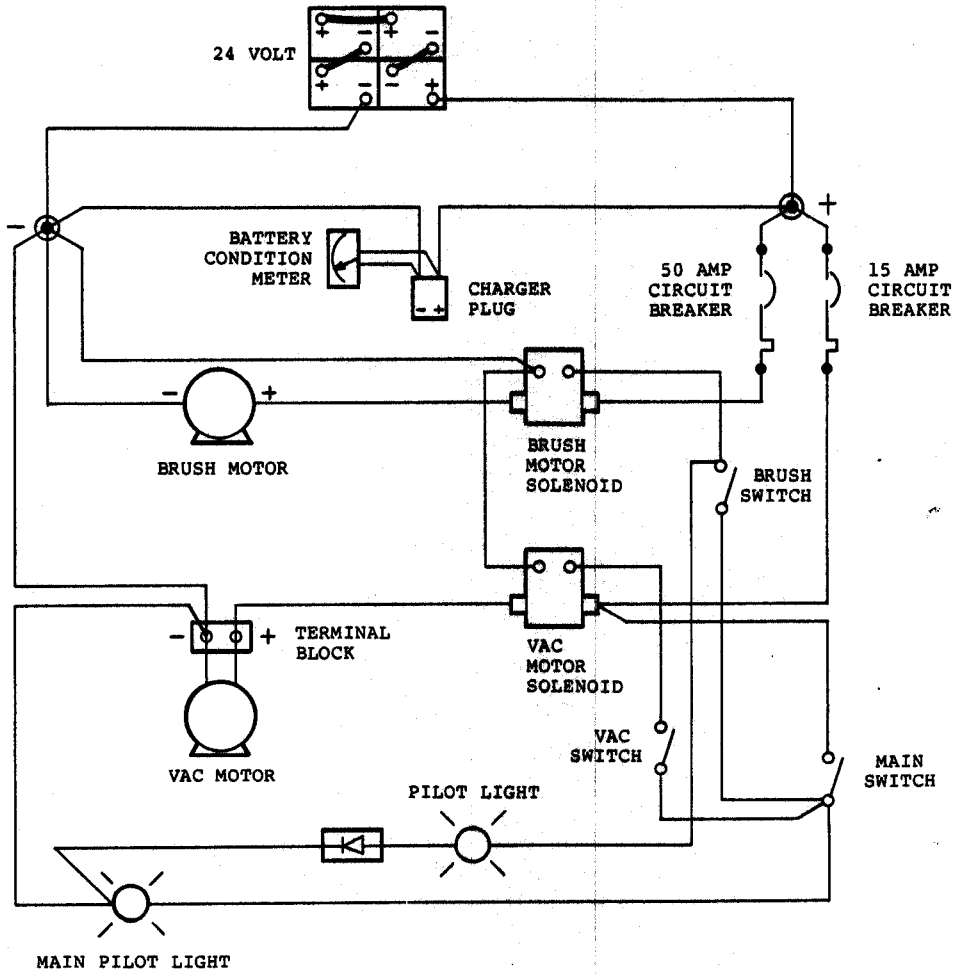
Item	Part No.	Qty	Description	Item	Part No.	Qty	Description
1	366161	1	Cap, Worm Gear	24	366412	2	Shaft
2	366684	A/R	Shim, Red	25	369128	2	Fitting, Grease
	366692	A/R	Shim, Blue	26	369136	1	Pipe, Water Feed Left
	366706	A/R	Shim, Pink		369144	1	Pipe, Water Feed Right
3	366323	6	Bearing, Roller	27	378437	2	Bracket
4	366226	2	Gear, Worm	28		2	Nut, 3/8-16
5	366366	6	Key, Woodruff	29	440787	2	Bolt
6	366307	2	Shaft, Worm Gear TSB610, G-8	30	440698	2	Spacer, Bushing
7	550170	1	Shaft, Double Worm	31	114545	2	Bushing, Rubber
8	366714	A/R	Shim, Red	32	366420	2	Nut
	366722	A/R	Shim, Blue	33	367931	2	Holder, Brush
	366730	A/R	Shim, Pink	34	366544	2	Ring, Retaining
9	366129	1	Cap, Gear Case	35	366528	2	Bushing, Rubber
10	366331	6	Seal, Grease	36	550206	2	Arm Assembly (with Bearings)
11	367958	3	Key, Square		550190	2	Arm
12	372242	1	Belt	37		6	Washer, 1/2
13	372889	1	Sheave	38		2	Nut, Acorn
14		5	Screw, Socket Set	39		2	Screw, 3/8-16 X 2.75
15	366285	20	Screw	40	171177	4	Spring
16		20	Washer, Lock	41	440760	4	Washer
17	366358	2	Ring, Retaining	42	367184	4	Bearing, Thrust
18	366218	2	Cap, Bottom	43		4	Screw, Flat Hd. 1/4-20 X 1/2
19	366447	12	Screw	44	550920	1	Cap, Worm Shaft
20		24	Washer, 3/8	45	550906	1	Gear Case
21	104647	4	Disc, Thermoid	46	366188	1	Cap, Worm Gear
22	366382	4	Casting, Universal	47	366269	1	Plug, Vented
23	366404	2	Ball	48	372773	4	Bearing, Ball



VACUUM MOTOR

Item	Part No.	Qty	Description
1	208110	1	Housing
2	372574	2	Screw
3	372570	5	Screw
4	207285	2	Clamp
5	202302	2	Clip
6	372572	2	Brush
7	203591	1	Fan
8	207234	1	End Bracket
9	202843	1	Load Spring
10	249735	1	Disc
11	203587	1	Bearing
12	372590	1	Armature
13	208280	1	Field
14	228051	1	Bearing
15	203461	1	Washer
16	372578	1	Fan End Bracket
17	372580	1	Check Valve
18	372582	1	Air Seal Shell
19	372584	1	Spacer
20	372586	1	Fan
21	372588	2	Rotating Fan
22	203516	1	Spacer
23	203394	1	Stationary Fan
24	203408	1	Shell
25	203432	1	Washer
26	203440	1	Nut

WIRING DIAGRAM



TSB
375,G-12