

# **Convertamatic™ 265LX**

---

# **Hydro-Retriever™ 265HD**



## **PARTS LIST**

**Advance MODELS 56393670, 56393675**

This parts list is for machines after serial number 1002647



**Nilfisk  
Advance**

*setting standards*

revised 8/00 Form Number 56042286

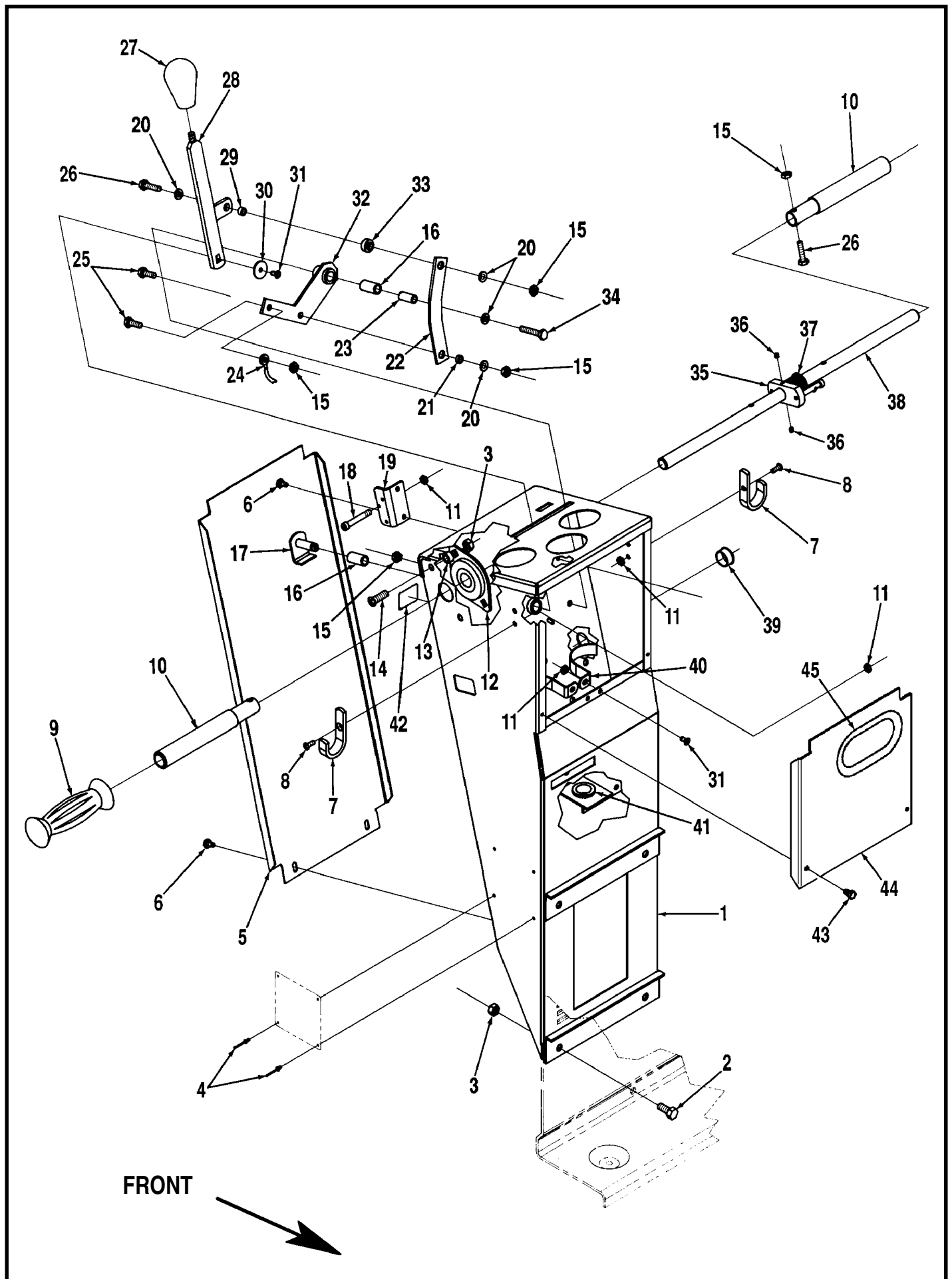
# TABLE OF CONTENTS

DESCRIPTION	PAGE
Handle .....	1-2
Chassis (before SN 1079087) .....	3-4
Chassis (after SN 1079086) .....	5-6
Skirts - 265 LX .....	7-8
Skirts - 265 HD .....	9-10
Vacuum Motor Assembly (before SN 1083938) .....	11-12
Vacuum Motor Assembly (after SN 1083937) .....	13-14
Brush Lift .....	15-16
Brush Drive .....	17-18
Wheel Drive .....	19-20
Solution System - 265LX (265HD before SN 1189105) .....	21-22
Solution System - 265HD after SN 1189104) .....	23-24
Recovery System - 265LX (265HD before SN 1189105) .....	25-26
Recovery System - 265HD after SN 1189104) .....	27-28
Squeegee Mount .....	29-30
Squeegee .....	31-32
Decals - 265LX (265HD before before SN 1189105) .....	33-34
Decals - 265HD after SN 1189104) .....	35-36
Handle Electrical System .....	37-38
Chassis Electrical System (before SN 1079087) .....	39-40
Chassis Electrical System (after SN 1079086) .....	41-42
Wiring Diagram (before SN 1079087) .....	43-44
Wiring Diagram (after SN 1079086) .....	45-46

## WHEN ORDERING PARTS

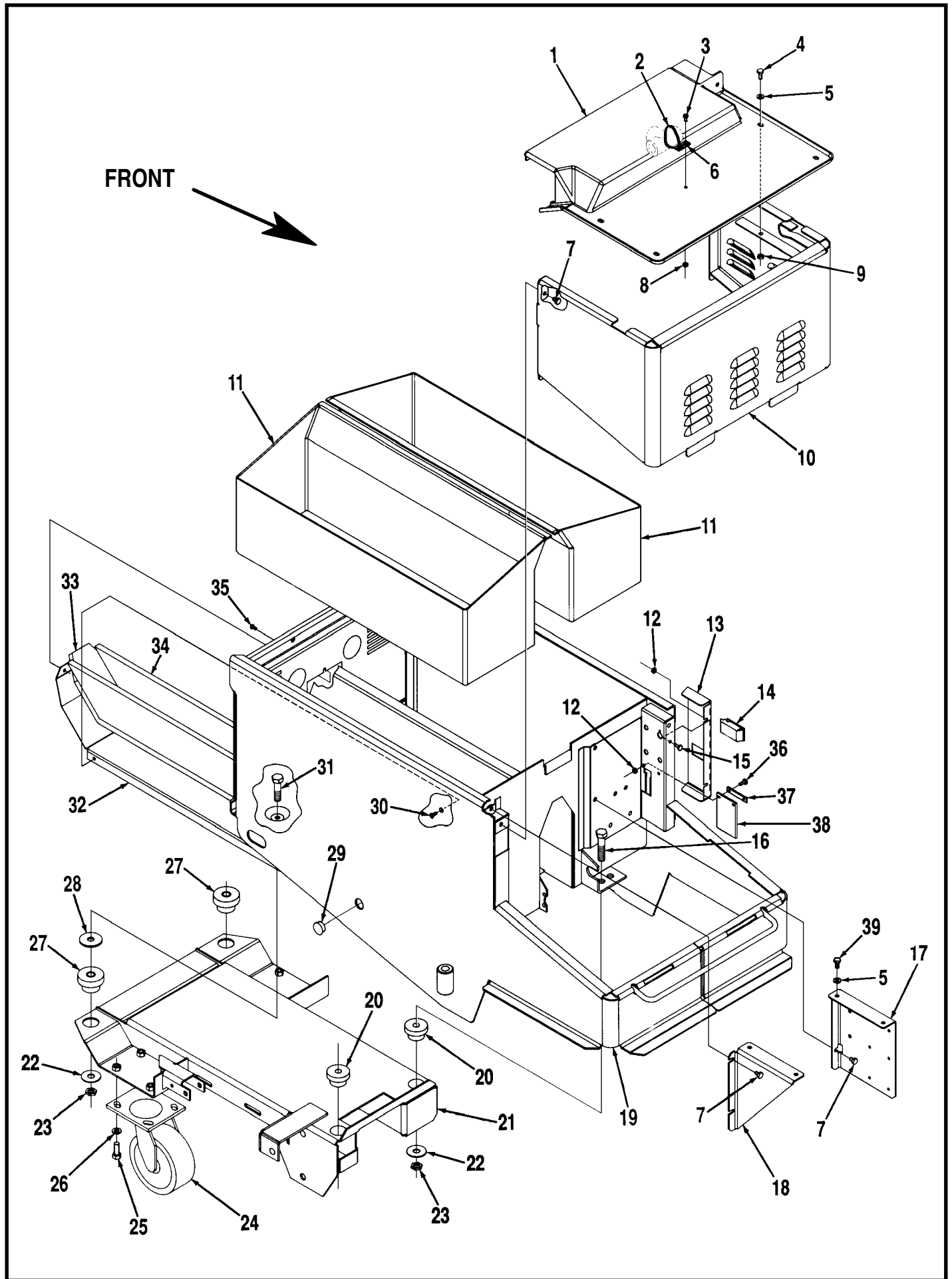
- \* Use the 8 digit numbers from the "Ref. No." columns in this parts list.
- \* Specify the model and serial number of the machine.
- \* Use the space below to record the model and serial number for future reference.

Model \_\_\_\_\_ Serial No. \_\_\_\_\_



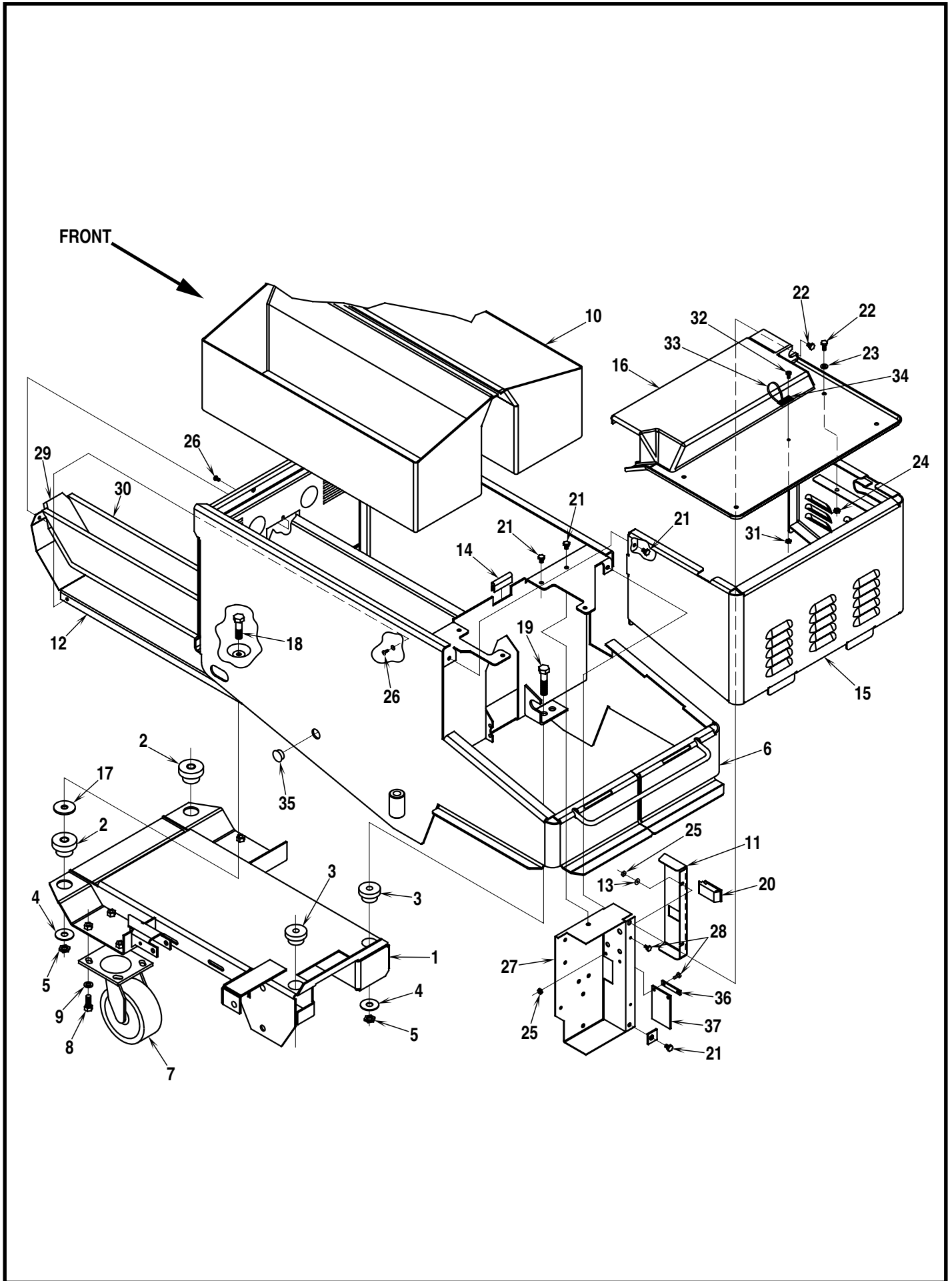
# HANDLE

Item	Ref. No.	Qty	Description
1	56324111	1	Handle
2	56002667	4	5/16-18 x .75 Screw
3	56002701	8	5/16-18 Lock Nut
4	56261209	4	Rivet
5	56324130	1	Cover
6	56002532	4	#10-24 x 1/4 HP-5 Screw
7	56324349	2	Hook
8	56002099	2	#10-24 x 5/8 Screw
9	56388545	2	Grip
10	56324120	2	Handle Tube
11	56002832	9	#10-24 Nyl Loc Nut
12	56393264	2	Bearing
13	56320595	4	Bushing
14	56002949	4	5/16-18 x 1 Screw
15	56002840	6	1/4-20 Lock Nut
16	56200972	2	Sleeve Bearing
17	56324361	1	Actuator
18	56900481	3	Screw
19	56324132	1	Stop Bracket
20	56002098	4	1/4 Flat Washer
21	56163872	1	Bushing
22	56393299	1	Strap
23	56471220	1	Spacer
24	56393304	1	Lift Cable
25	56001836	2	1/4-20 x 5/8 Screw
26	56002093	3	1/4-20 x 1 Screw
27	56364527	1	Knob
28	56324129	1	Handle Weldment
29	56206784	1	Bushing
30	56203874	1	Washer
31	56002043	3	#10-24 x 3/8 Screw
32	56393296	1	Arm
33	56384708	1	Step Bushing
34	56001967	1	1/4-20 x 1-3/4 Screw
35	56324133	1	Spring Lever
36	56002050	2	#10-24 x 1/4 Set Screw
37	56324033	1	Spring
38	56324131	1	Bar
39	56900144	1	Plug Button
40	56180030	2	Capacitor Clamp
41	56491648	1	Flange Bearing
42	56015592	2	Decal, Cover
43	56002519	2	#10-24 x 3/8 HP-5 Screw
44	56393394	1	Cover
45	56755581	12"	Trim (31 cm)



## CHASSIS SYSTEM (before SN 1079087)

Item	Ref. No.	Qty	Description
1	56393660	1	Cover
2	56478246	1	Cable Tie
3	56002896	1	#10-24 x 5/8 SS Screw
4	56001836	4	1/4-20 x .62 Screw
5	56002098	8	1/4 Flat Washer
6	56469832	1	Anchor Tie
7	56002933	6	1/4-20 x 3/8 Screw
8	56002936	1	#10-24 SS Nyl Loc Nut
9	56002708	4	1/4-20 Nyl Loc Nut
10	56393334	1	Front Panel
11	56393355	2	Battery Tray
12	56002768	4	#10-24 Lock Nut
13	56393362	1	Door
14	56393358	1	Latch
15	56002834	2	#10-24 x 3/8 Screw
16	56001920	2	1/2-13 x 2-1/4 Bolt
17	56393356	1	Bracket
18	56393359	1	Bracket
19	56393319	1	Chassis
20	56393283	2	Isolation Mount
21	56393245	1	Base
22	56480742	4	Washer
23	56002843	4	1/2-13 Nyl Loc Nut
24	56440450	2	Caster
25	56002947	8	3/8-16 x 1 Bolt
26	56002063	8	3/8 Flat Washer
27	56478685	2	Isolator Mount
28	56393348	2	Washer
29	56756358	1	Plug Button
30	56003002	4	#10-24 x 3/8 HP-5 Screw
31	56002983	2	1/2-13 x 2 Bolt
32	56393333	1	Baffle Plate
33	56393388	1	Foam
34	56393387	2	Foam
35	56002518	1	#10-24 x 3/8 HP-5 Screw
36	56002503	2	#10-24 x 1/2 Screw
37	56324085	1	Strap
38	56324086	1	Flap
39	56002729	4	1/4-20 x 1/2 Loc Screw

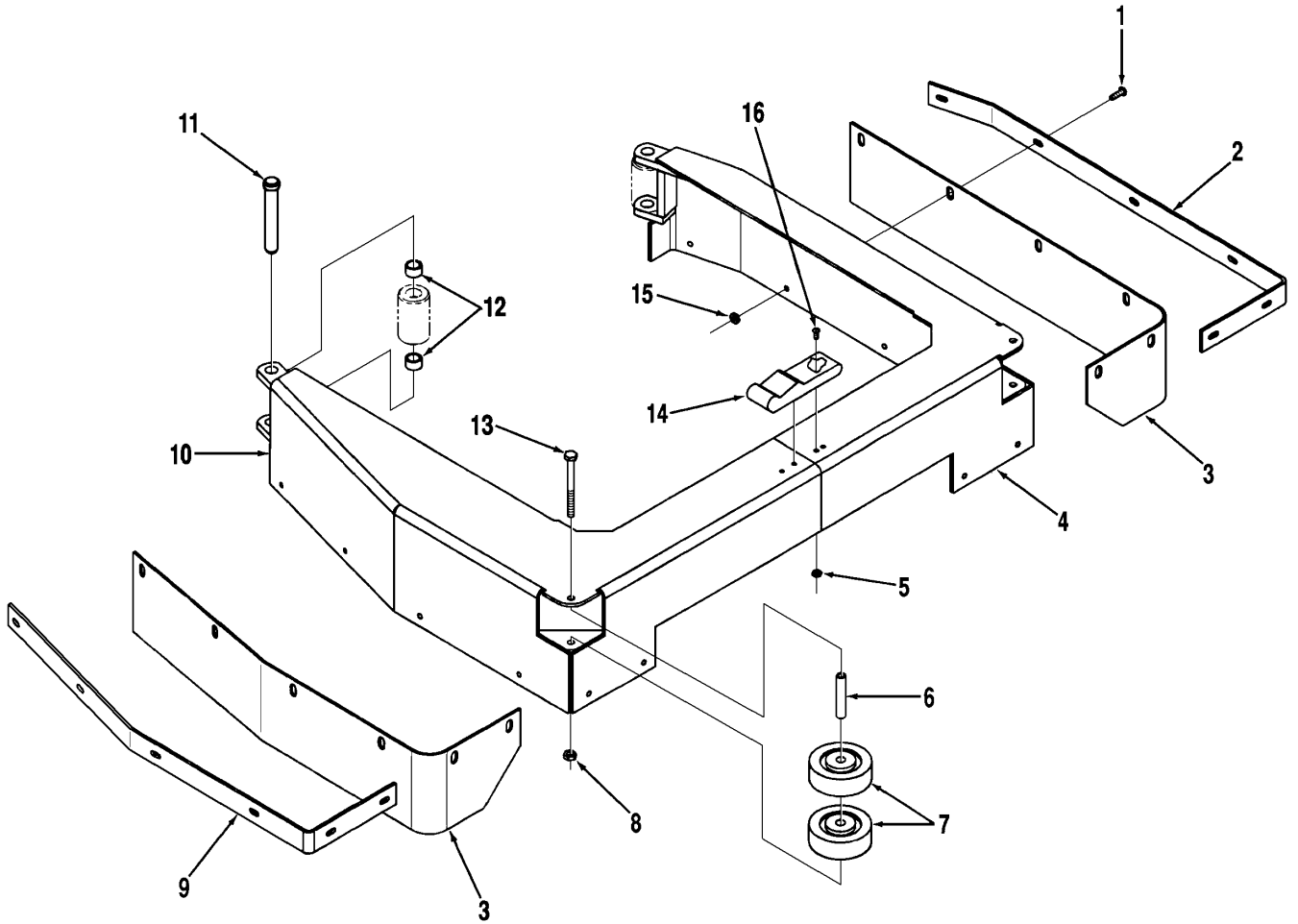



## CHASSIS SYSTEM (after SN 1079086)

Item	Ref. No.	Qty	Description
1	56393245	1	Base Weld't
2	56478685	2	Isolater Mount
3	56393283	2	Isolater Mount
4	56480742	4	Wsh, Flt .53 x 1.50 x .07
5	56002770	2	Nut, Hex Nyl Loc 1/2-13
6	56393319	1	Chassis Weld't
7	56440450	2	Caster
	56503007	A/R	Wheel (for 56440450 Caster)
8	56002947	8	Scr, Hex Hd Loc 3/8-16 x 1.00
9	56002063	8	Wsh, Flt SAE 3/8
10	56393355	2	Tray, Battery
11	56393362	1	Door Weld't
12	56393333	1	Baffle Plate
13	56001954	2	Wsh, Flt SAE #10
14	56261397	2"	Gasket (5.14cm)
15	56393334	1	Front Panel Weld't
16	56393660	1	Cover
17	56393348	2	Washer
18	56001995	2	Scr, Hex 1/2-13 x 1.75
19	56001920	2	Scr, Hex Hd 1/2-13 x 2.25
20	56393358	1	Latch
21	56003039	8	Scr, Hex Loc 1/4-20 x .50
22	56002155	4	Scr, Hex 1/4-20 x .75
23	56002098	8	Wsh, Flt SAE 1/4
24	56002708	4	Nut, Hex Nyl Loc 1/4-20
25	56002832	4	Nut, Hex Nyl Loc-Thin 10-24
26	56009065	5	Scr, Flt Phil Thd Form 10-24 x .50
27	56393472	1	Panel, Electrical
28	56002503	4	Scr, Hex 10-24 x .50
29	56393388	1	Foam, Accoustical
30	56393387	2	Foam, Accoustical
31	56002936	1	Nut, Hex Nyl Loc SS 10-24
32	56002896	1	Scr, Pan Phil SS 10-24 x .62
33	56478246	1	Cable Tie
34	56469832	1	Tie, Anchor Mount
35	56756358	1	Plug, Button
36	56324085	1	Strap
37	56324086	1	Flap
*	56409837	1	Battery Spacer (for use with 244AH batteries PN 56376014)
*	56409838	1	Battery Spacer (for use with 244AH batteries PN 56376014)

\* = Not Shown

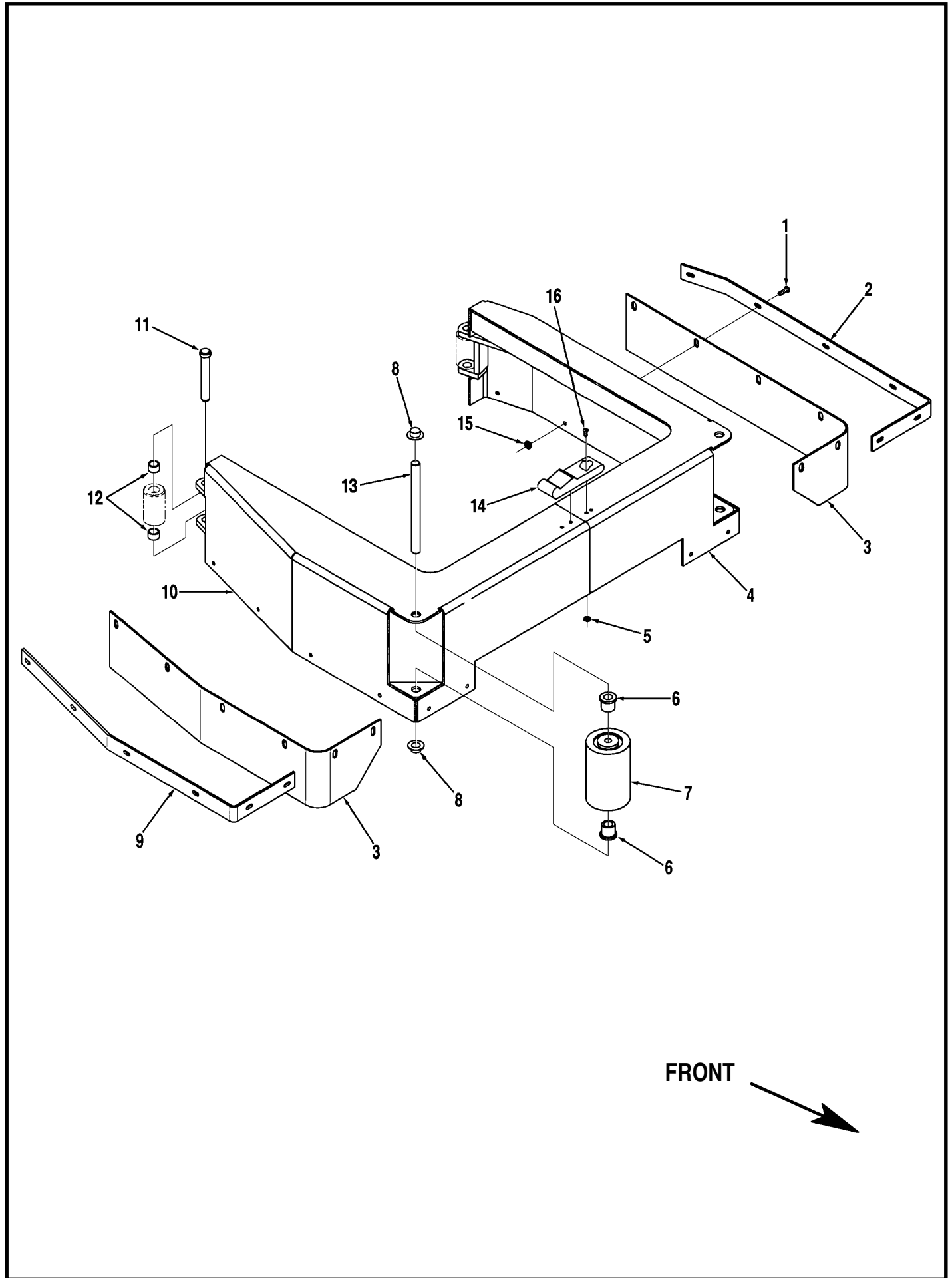




FRONT 

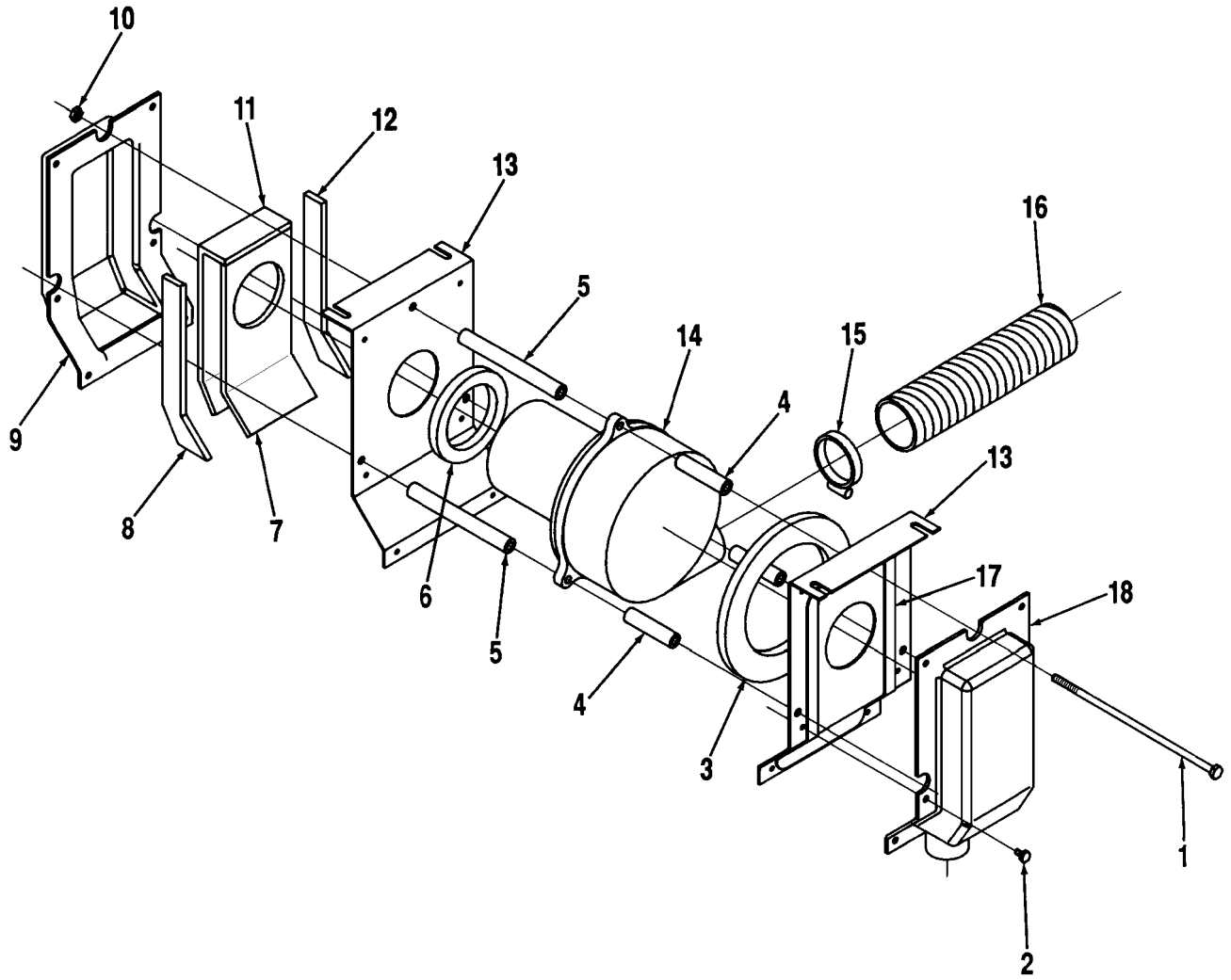
**SKIRTS - 265 LX**

Item	Ref. No.	Qty	Description
1	56002896	12	#10-24 x 5/8 SS Screw
2	56393419	1	Left Strap
3	56393408	2	Rubber Skirt
4	56393450	1	Left Splash Guard
5	56002964	4	#6-32 SS Thin Nyl Loc Nut
6	56386823	2	Bushing
7	56324350	4	Wheel
8	56002708	2	1/4-20 Nyl Loc Nut
9	56393418	1	Right Strap
10	56393451	1	Right Splash Guard
11	56360147	2	Pin
12	56366633	4	Bushing
13	56002397	2	1/4-20 x 2-3/4 Screw
14	56462316	1	Latch
15	56002849	12	#10-24 SS Thin Nyl Loc Nut
16	56002909	4	#6-32 x 3/8 SS Screw



**SKIRTS - 265 HD**

Item	Ref. No.	Qty	Description
1	56002896	12	#10-24 x 5/8 SS Screw
2	56393419	1	Left Strap
3	56393408	2	Rubber Skirt
4	56393458	1	Left Splash Guard
5	56002964	4	#6-32 SS Thin Nyl Loc Nut
6	56111503	4	Flange Bearing
7	56376540	2	Roller
8	56376544	4	Stud Cap
9	56393418	1	Right Strap
10	56393457	1	Right Splash Guard
11	56360147	2	Pin
12	56366633	4	Bushing
13	56393372	2	Rod
14	56462316	1	Latch
15	56002849	12	#10-24 SS Thin Nyl Loc Nut
16	56002909	4	#6-32 x 3/8 SS Screw



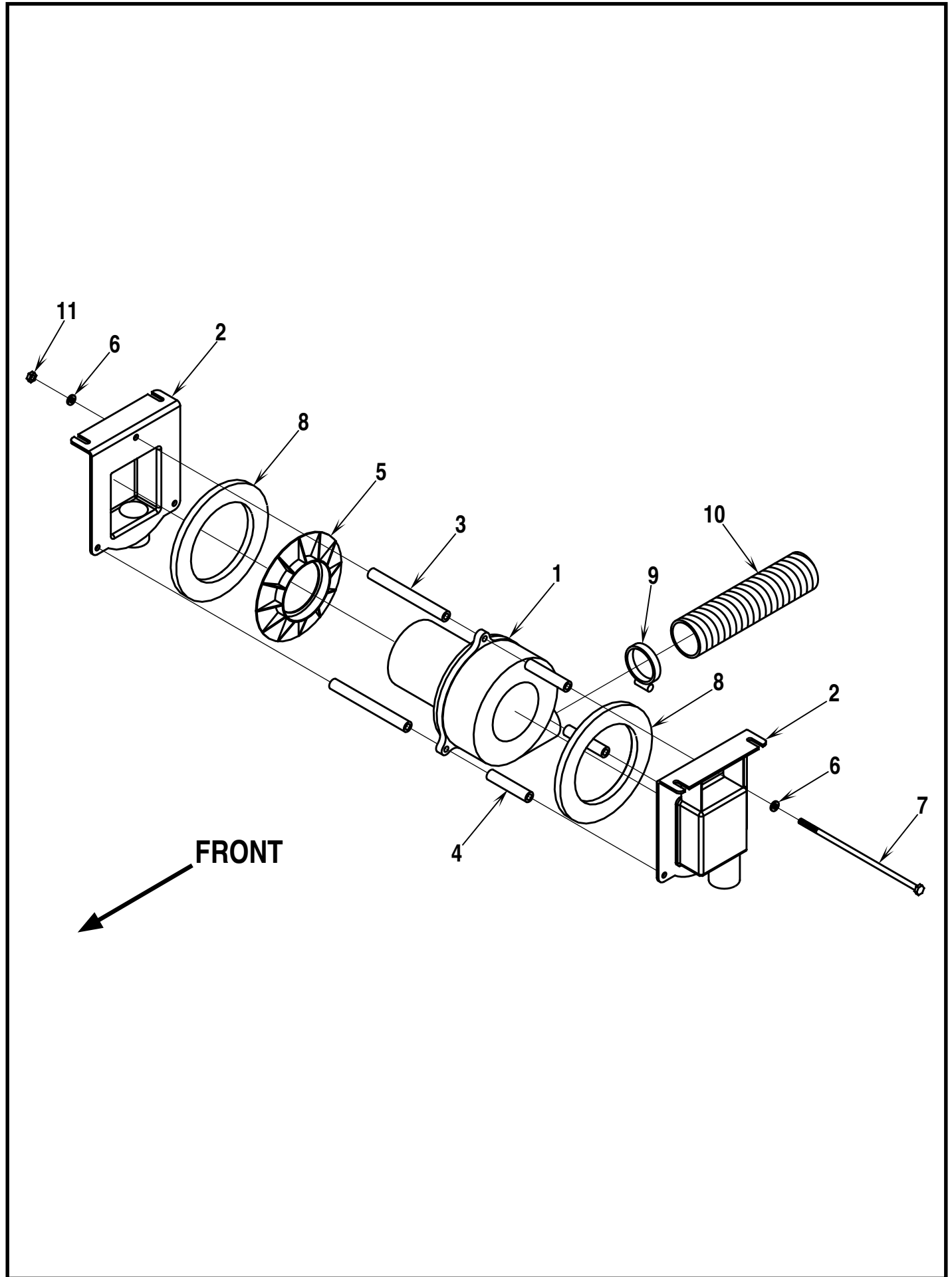
FRONT



**VACUUM MOTOR ASSEMBLY (before SN 1083938)**

Item	Ref. No.	Qty	Description
1	56002776	3	1/4-20 x 8 Screw
2	56002519	12	#10-24 x 3/8 HP-5 Screw
3	56385437	1	Gasket
4	56324095	3	Spacer
5	56324094	3	Spacer
6	56324040	1	Gasket
7	56324102	1	Foam
8	56324100	1	Foam
9	56324092	1	Intake Shroud
10	56002708	3	1/4-20 Nyl Loc Nut
11	56324101	1	Foam
12	56324099	1	Foam
13	56324098	2	Bracket
14	56324189	1	Vacuum Motor
*	56503003	1	Carbon Brush Set for 56324189
15	56440213	1	Hose Clamp
16	56385599	1	Hose
17	56200754	3'	Gasket (92.5 cm)
18	56324097	1	Shroud

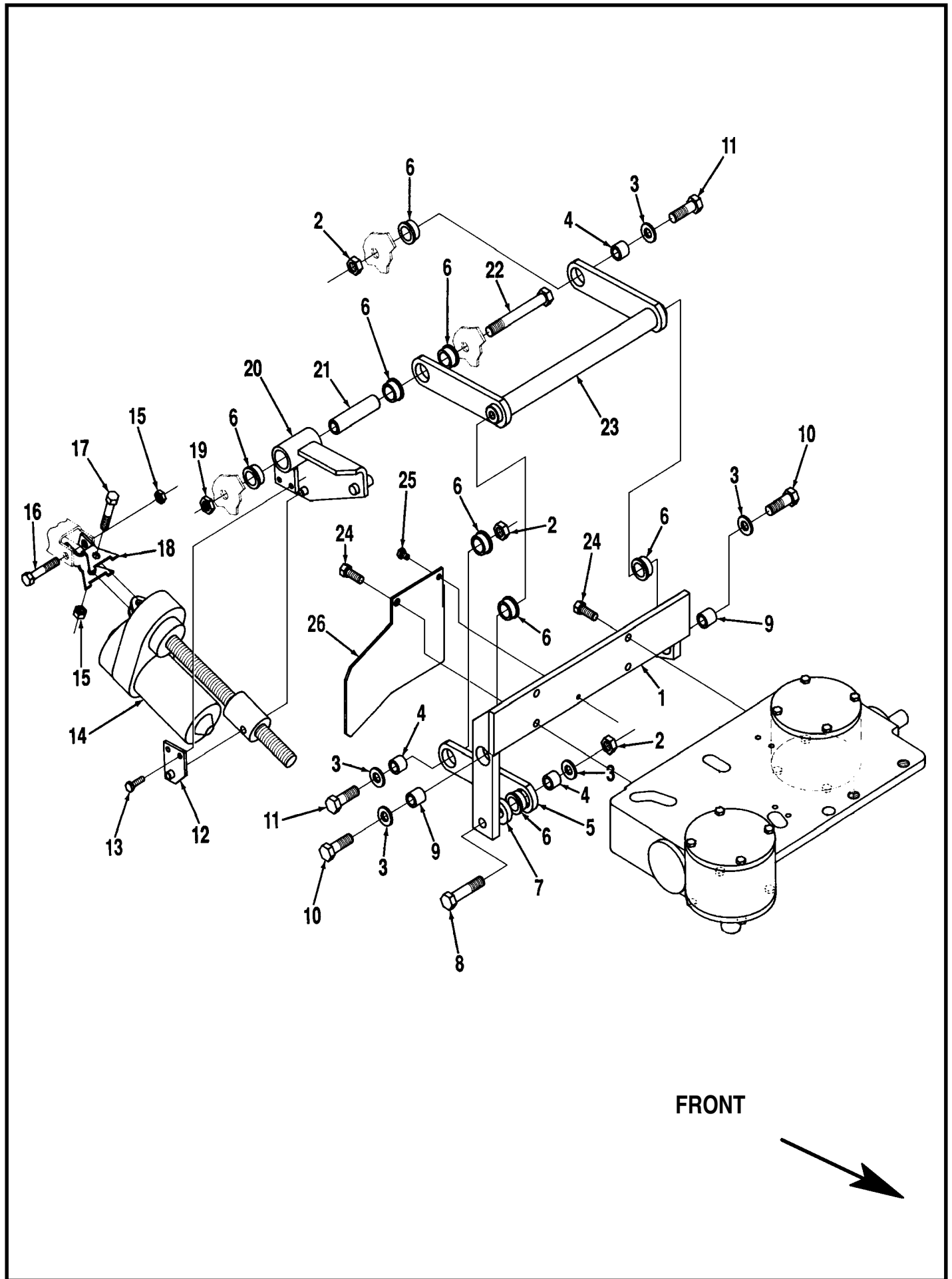
\* = Not Shown



**VACUUM MOTOR ASSEMBLY (after SN 1083937)**

Item	Ref. No.	Qty	Description
1	56324189	1	Vacuum Motor
*	56503003	1	Carbon Brush Set for 56324189
2	56324458	2	Shroud
3	56324461	3	Spacer
4	56324462	3	Spacer
5	56324459	1	Flange
6	56002098	6	Wsh, Flt SAE 1/4
7	56002776	3	Scr, Hex Hd 1/4-20 x 8.00
8	56385437	2	Gasket
9	56440213	1	Hose Clamp
10	56385599	1	Hose
11	56002708	3	Nut, Hex Nyl Loc 1/4-20

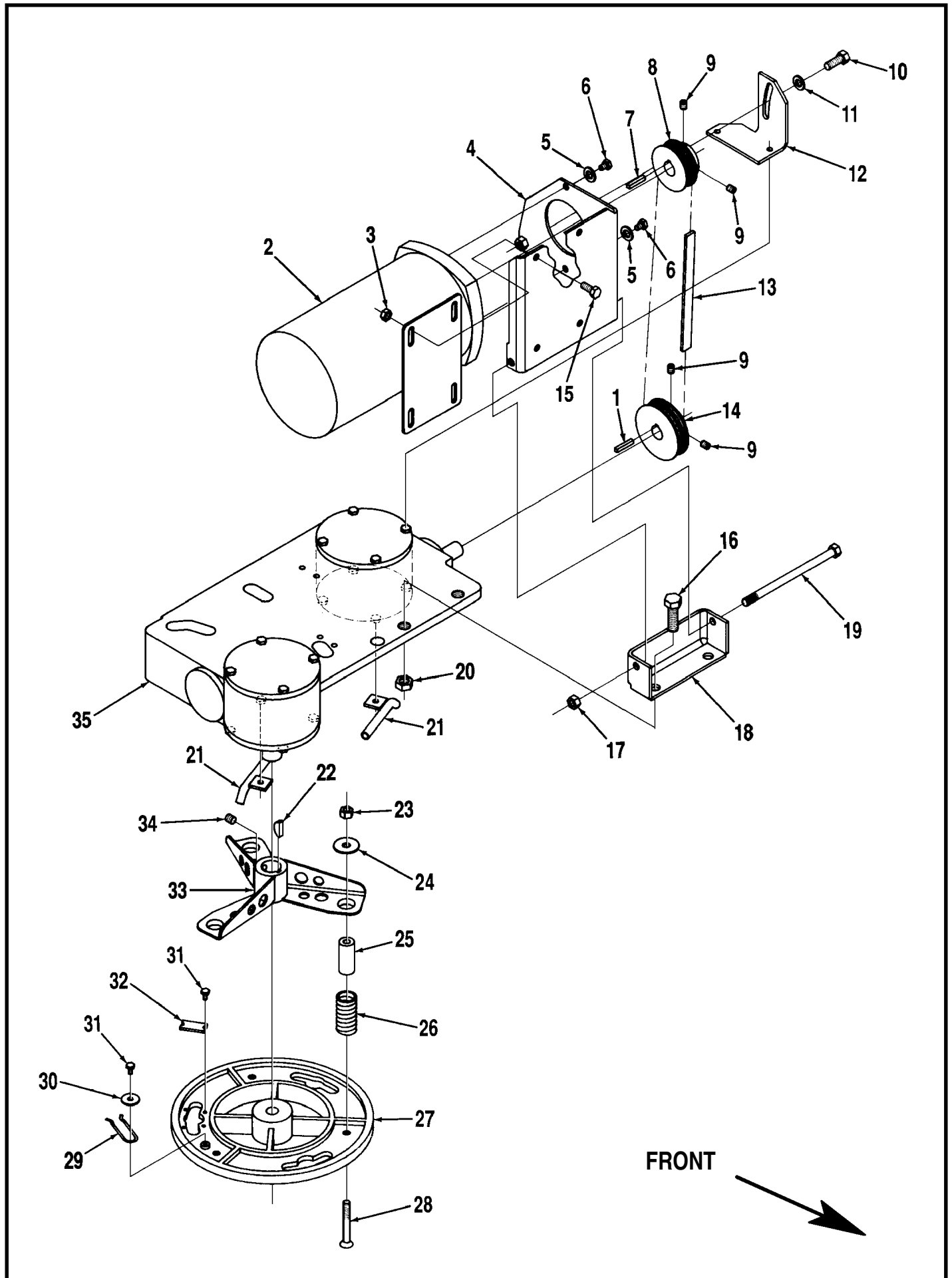




# BRUSH LIFT

Item	Ref. No.	Qty	Description
1	56393246	1	Mount
2	56002770	3	1/2-13 Nyl Loc Nut
3	56001879	5	1/2 Flat Washer
4	56393281	3	Bushing
5	56393271	1	Arm
6	56250414	8	Flange Bearing
7	56393273	1	Spacer
8	56002533	1	1/2-13 x 2-1/2 Bolt
9	56393272	2	Bushing
10	56002954	2	1/2-13 x 1-1/2 Loc Bolt
11	56001955	2	1/2-13 x 1-3/4 Bolt
12	56393258	1	Arm
13	56002922	2	1/4-20 x 5/8 Loc Screw
14	56393303	1	Actuator
*	56388520	1	Plastic Drive Nut (for 56393303)
*	56470433	1	Carbon Brush kit (for 56393303)
15	56002841	2	3/8-16 Thin Nyl Loc Nut
16	56002091	1	3/8-16 x 2 Bolt
17	56002684	1	3/8-16 x 1-3/4 Bolt
18	56392454	1	Yoke
19	56002843	1	1/2-13 Thin Nyl Loc Nut
20	56393253	1	Lift Arm
21	56393274	1	Bushing
22	56002961	1	1/2-13 x 4 Bolt
23	56393250	1	Arm
24	56002947	5	3/8-16 x 1 Bolt
25	56002530	1	1/4-20 x 3/8 HP-5 Screw
26	56393275	1	Splash Plate

\* = Not Shown

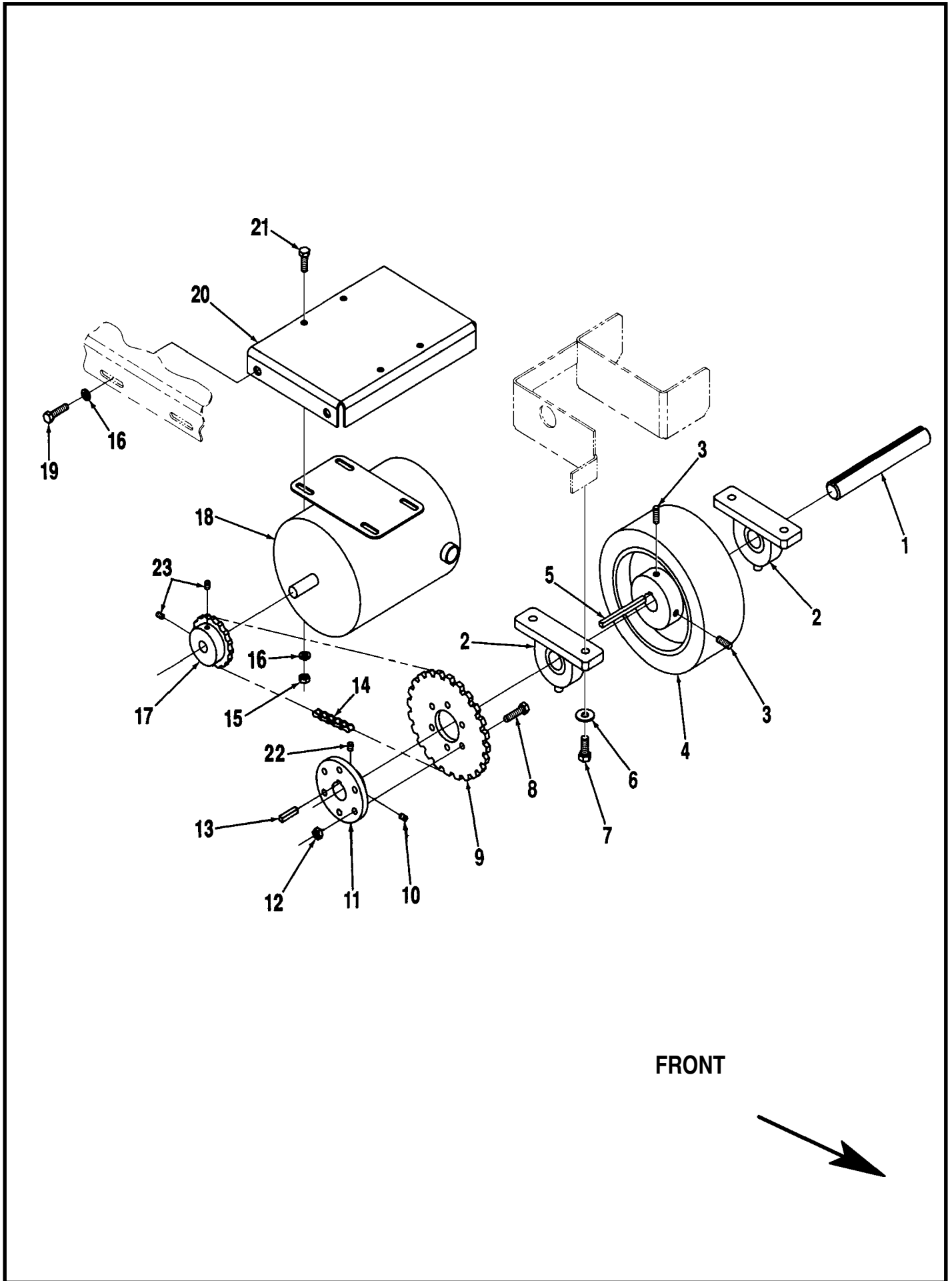


# BRUSH DRIVE

Item	Ref. No.	Qty	Description
1	56378704	1	Key
2	56393493	1	Motor
*	56393494	1	Carbon Brush Set for 56393493 (pkg of 4)
3	56002701	4	5/16-18 Nyl Loc Nut
4	56393391	1	Motor Mount
5	56002098	2	1/4 Flat Washer
6	56002729	2	1/4-20 x 1/2 Loc Screw
7	56367958	1	Key
8	56372626	1	Pulley
9	56002021	4	5/16-18 x 3/8 Loc Set Screw
10	56002947	1	3/8-16 x 1 Bolt
11	56162957	1	Washer
12	56393278	1	Mount
13	56327476	1	Belt
14	56372891	1	Pulley
15	56002667	4	5/16-18 x 3/4 Bolt
16	56001968	2	1/2-13 x 1-1/2 Bolt
17	56002769	1	3/8-16 Nyl Loc Nut
18	56393282	1	Mount
19	56003044	1	3/8-16 x 6-1/2 Bolt
20	56002770	2	1/2-13 Nyl Loc Nut
21	56393260	2	Tube
22	56378291	2	Key
23	56002856	6	5/16-18 SS Nyl Loc Nut
24	56752278	6	Washer
25	56392530	6	Spacer
26	56392513	6	Spring
27	56391611	2	Brush Holder
28	56002965	6	5/16-18 x 2-1/2 SS Bolt
29	56366463	2	Retainer Spring
30	56203874	2	Washer
31	56002519	6	#10-24 x 3/8 HP-5 Screw
32	56366455	2	Plate
33	56392396	2	Drive Adapter
34	56002953	2	3/8-16 x 3/8 SS Set Screw
35	56550116	1	Gear Case Assembly
**	56505760	2	Pad Holder
**	56505761	2	Magna-Grit™ 46 Brush
**	56505762	2	Dyna-Grit™ 80 Brush
**	56505763	2	Aglite™ 500 Brush
**	56505764	2	Prolene Brush
**	56505765	2	Prolite™ Brush
**	56505766	2	Union Mix Brush
**	56505767	2	MidGrit™ 240 Brush
**	56505768	2	MidLite™ 180 Brush

\* = Repair Part, not included

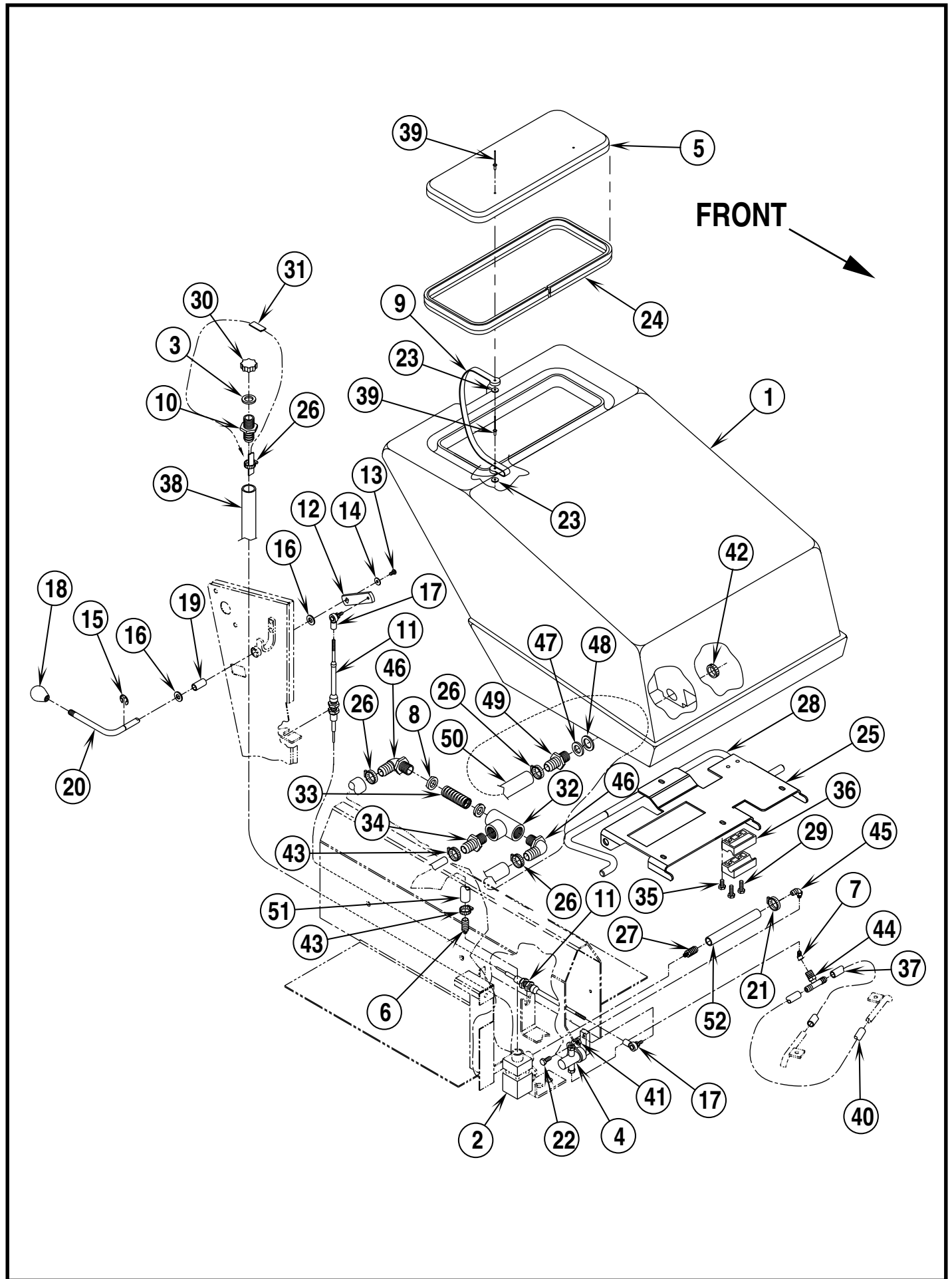
\*\* = Optional Accessory, not included



## WHEEL DRIVE

Item	Ref. No.	Qty	Description
1	56393110	1	Drive Shaft
2	56444308	2	Pillow Block
3	56001826	2	5/16-18 x 1/2 Loc Set Screw
4	56393213	1	Wheel
5	56261230	1	Key
6	56385358	4	Washer
7	56001858	4	3/8-16 x 1-1/4 Loc Bolt
8	56002913	6	5/16-18 x 1 SS Bolt
9	56261020	1	Sprocket
10	56002930	1	1/4-20 x 3/8 Loc Set Screw
11	56261223	1	Adapter
12	56002856	6	5/16-18 SS Nyl Loc Nut
13	56378704	1	Key
14	56393172	1	Chain
15	56002701	4	5/16-18 Nyl Loc Nut
16	56001939	8	5/16 Flat Washer
17	56393164	1	Sprocket
18	56263253	1	Motor
*	56503023	1	Carbon Brush Set for 56263253
19	56002956	4	5/16-18 x 3/4 Loc Bolt
20	56393262	1	Motor Mount
21	56002667	4	5/16-18 x 3/4 Bolt
22	56001841	1	1/4-20 x 1/4 Loc Set Screw
23	56001896	2	1/4-20 x 5/8 Loc Set Screw

\* = Repair Part, not included

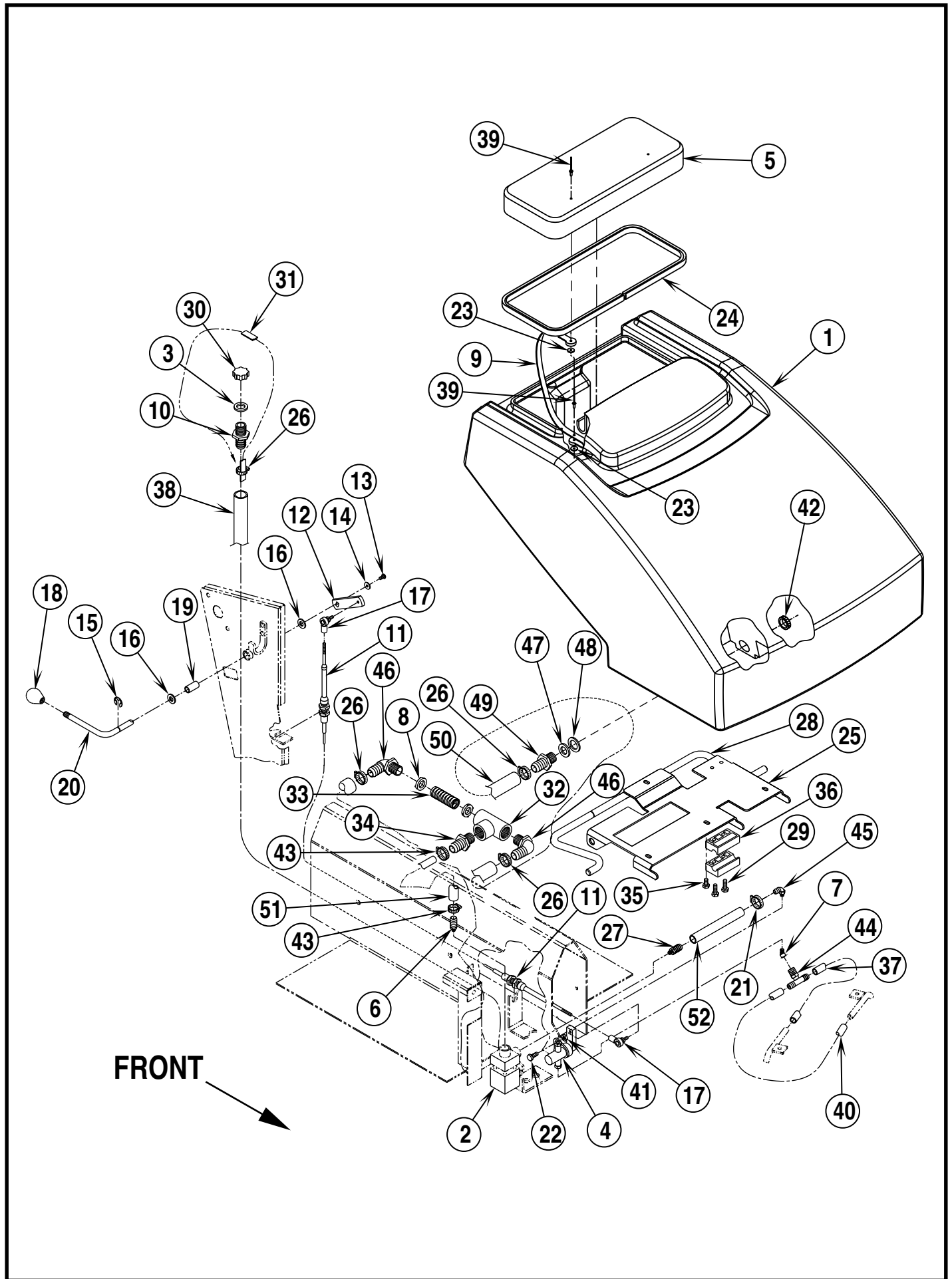


## SOLUTION SYSTEM - 265LX (265HD before SN 1189105)

Item	Ref. No.	Qty	Description
1	56393378	1	Solution Tank
2	56324247	1	Solenoid Valve
*	56324506	1	Viton Seal Kit (for PN 56324247)
*	56324507	1	EPDM Seal Kit (for PN 56324247)
3	56368776	1	Washer, Rubber
4	56393789	1	Valve, 2-Way
5	56261187	1	Cover
6	56373456	1	Fitting, 1/4 NPTM x 1/2 Barb
7	56368938	1	Elbow, STR 45° 1/4 NPT
8	56324313	2	Washer, Rubber
9	56263379	2	Strap
10	56900273	1	Barb
11	56393347	1	Cable, Control
12	56324206	1	Bar, Linkage
13	56002926	1	Scr, Hex Hd Loc 10-24 x .38
14	56009096	1	Wsh, Flt .19 x .87 x .06
15	56003262	1	Ring, Ret Ext Type E
16	56002063	2	Wsh, Flt SAE 3/8
17	56488290	2	Rod End #10
18	56378534	1	Knob
19	56200972	1	Bearing
20	56324216	1	Rod, Valve Control
21	56756364	1	Clamp, Hose
22	56001836	2	Scr, Hex 1/4-20 x .62
23	56263381	4	Wsh, .12 x .50 x .03
24	56261397	38"	Gasket, Raw (96.5 cm)
25	56393880	1	Plate, Tip-Up
26	56112771	4	Clamp, Hose
27	56155640	1	Fitting, 1/4 NPTM x 3/8 Barb
28	56393879	1	Bar, Tank Support
29	56002901	2	Scr, Hex Hd SS 1/4-20 x 1.50
30	56255076	1	Cap
31	56324602	1	Strap
32	56324029	1	Tee, ABS 3/4 NPT
33	56324030	1	Filter
34	56393385	1	Barb, Adapter
35	56002924	4	Scr, Pan Phil Loc 1/4-20 x .50
36	56393878	2	Block
37	56379107	1	Hose, PVC .38 x 12.00
38	56900299	80"	Hose, Spiral (203 cm)
39	56900186	4	Rivot, Pop
40	56393382	1	Hose, PVC .38 x 17.00
41	56002708	2	Nut, Hex Nyl Loc 1/4-20
42	56393187	1	Nut, Hex 3/4-16 UNF
43	56219932	2	Clamp, Hose
44	56393224	1	Tee, 1/4 NPTM x .38 Barb
45	56756739	1	Elbow, Barb 90° 1/4 NPT
46	56456802	2	Barb, Elbow 90°
47	56249625	1	Restrainer
48	56154717	1	Wsh, Rubber .62 x 1.06 x .12
49	56393182	1	Barb
50	56900299	12"	Hose, Spiral (30.5 cm)
51	56900298	23"	Hose, Spiral (58.5 cm)
52	56257534	1	Hose, PVC .38 x 5.00

\* = Not Shown

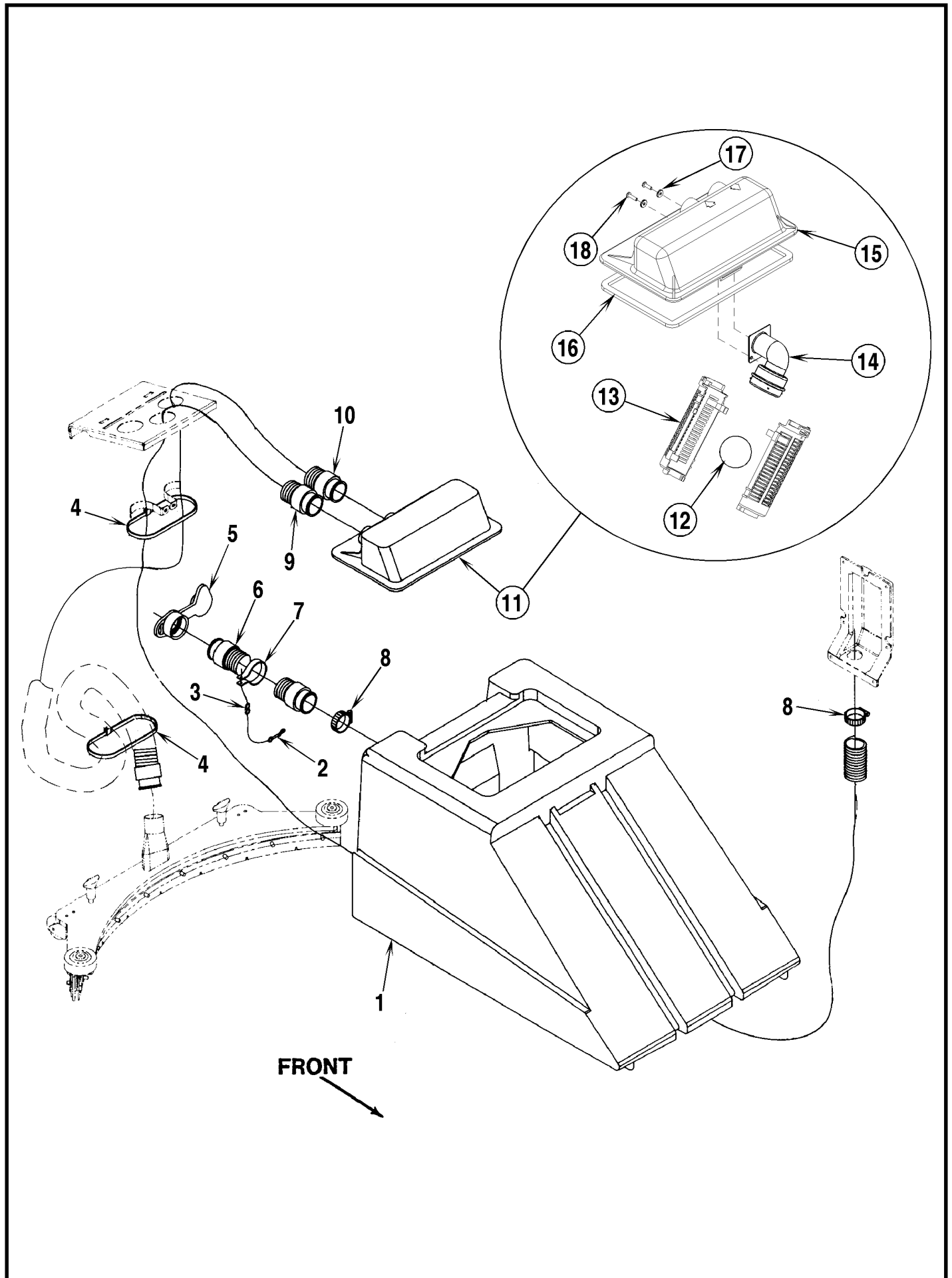




## SOLUTION SYSTEM - 265HD (after SN 1189104)

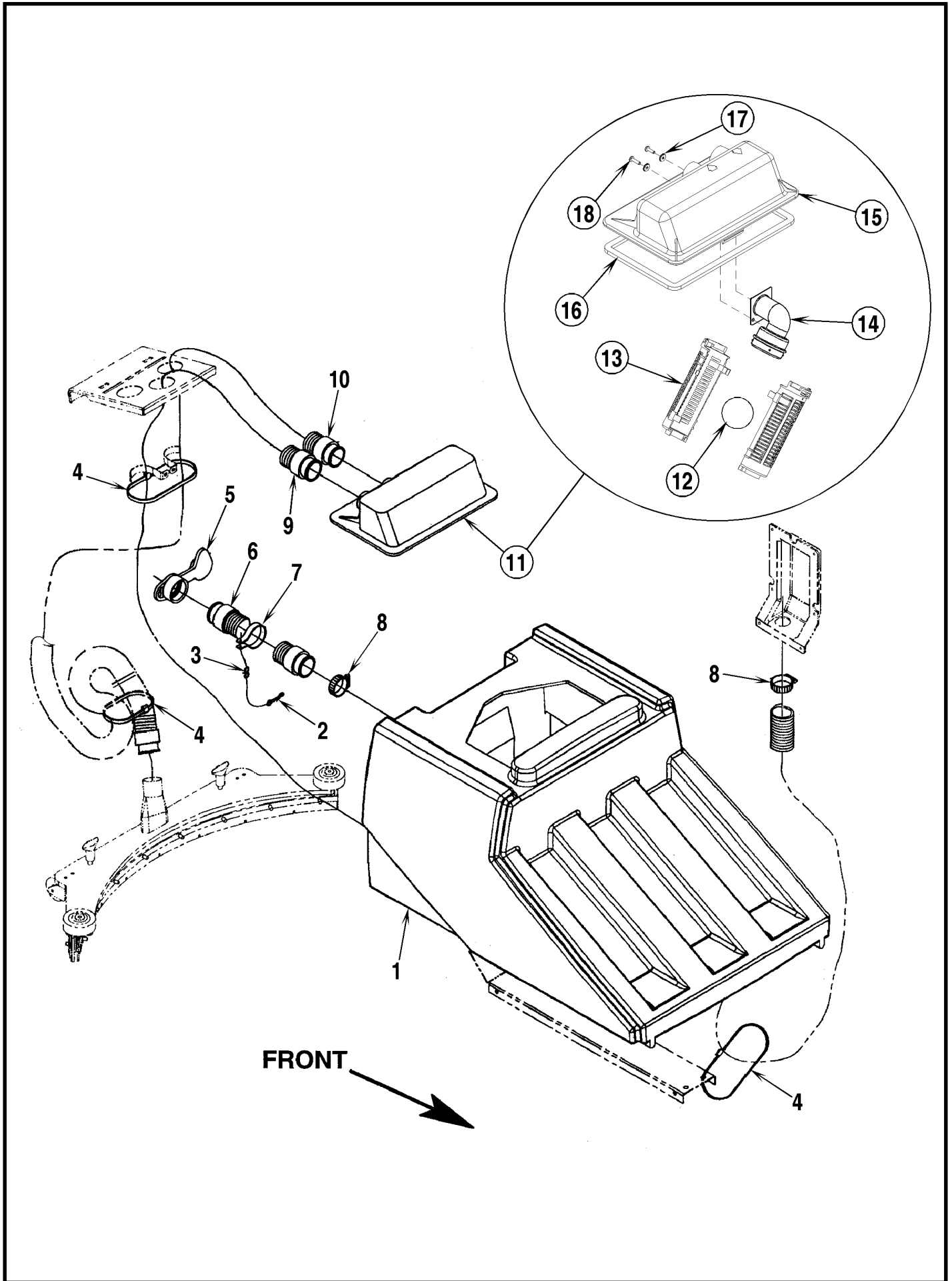
Item	Ref. No.	Qty	Description
1	56393842	1	Solution Tank
2	56324247	1	Solenoid Valve
*	56324506	1	Viton Seal Kit (for PN 56324247)
*	56324507	1	EPDM Seal Kit (for PN 56324247)
3	56368776	1	Washer, Rubber
4	56393789	1	Valve, 2-Way
5	56393767	1	Cover
6	56373456	1	Fitting, 1/4 NPTM x 1/2 Barb
7	56368938	1	Elbow, STR 45° 1/4 NPT
8	56324313	2	Washer, Rubber
9	56263379	2	Strap
10	56900273	1	Barb
11	56393347	1	Cable, Control
12	56324206	1	Bar, Linkage
13	56002926	1	Scr, Hex Hd Loc 10-24 x .38
14	56009096	1	Wsh, Flt .19 x .87 x .06
15	56003262	1	Ring, Ret Ext Type E
16	56002063	2	Wsh, Flt SAE 3/8
17	56488290	2	Rod End #10
18	56378534	1	Knob
19	56200972	1	Bearing
20	56324216	1	Rod, Valve Control
21	56756364	1	Clamp, Hose
22	56001836	2	Scr, Hex 1/4-20 x .62
23	56263381	4	Wsh, .12 x .50 x .03
24	56261397	38"	Gasket, Raw (96.5 cm)
25	56393880	1	Plate, Tip-Up
26	56112771	4	Clamp, Hose
27	56155640	1	Fitting, 1/4 NPTM x 3/8 Barb
28	56393879	1	Bar, Tank Support
29	56002901	2	Scr, Hex Hd SS 1/4-20 x 1.50
30	56255076	1	Cap
31	56324602	1	Strap
32	56324029	1	Tee, ABS 3/4 NPT
33	56324030	1	Filter
34	56393385	1	Barb, Adapter
35	56002924	4	Scr, Pan Phil Loc 1/4-20 x .50
36	56393878	2	Block
37	56379107	1	Hose, PVC .38 x 12.00
38	56900299	80"	Hose, Spiral (203 cm)
39	56900186	4	Rivot, Pop
40	56393382	1	Hose, PVC .38 x 17.00
41	56002708	2	Nut, Hex Nyl Loc 1/4-20
42	56393187	1	Nut, Hex 3/4-16 UNF
43	56219932	2	Clamp, Hose
44	56393224	1	Tee, 1/4 NPTM x .38 Barb
45	56756739	1	Elbow, Barb 90° 1/4 NPT
46	56456802	2	Barb, Elbow 90°
47	56249625	1	Restrainer
48	56154717	1	Wsh, Rubber .62 x 1.06 x .12
49	56393182	1	Barb
50	56900299	12"	Hose, Spiral (30.5 cm)
51	56900298	23"	Hose, Spiral (58.5 cm)
52	56257534	1	Hose, PVC .38 x 5.00

\* = Not Shown



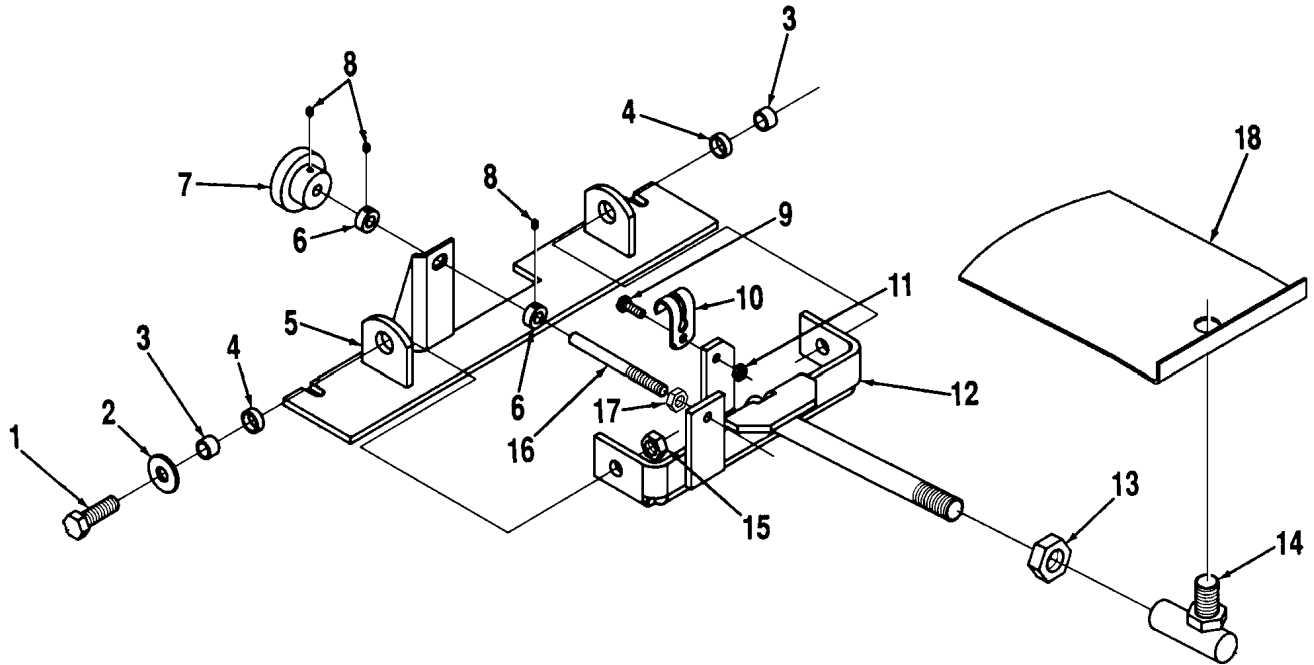
**RECOVERY SYSTEM - 265LX (265HD before SN 1189105)**

Item	Ref. No.	Qty	Description
1	56393352	1	Recovery Tank
2	56324281	1	Swivel Snap
3	56745391	1	S-Hook
4	56477613	3	Cable Tie
5	56324180	1	Drain Plug
6	56372216	1	Drain Hose
7	56263379	1	Strap
8	56329145	2	Hose Clamp
9	56392563	1	Hose with Cuff
10	56324255	1	Hose with Cuffs
11	56324045	1	Cover Assembly (#12-18)
12	56391690	1	Ball
13	56324497	2	Cage, Float
14	56324298	1	Elbow, Float
15	56324046	1	Cover, Tank
16	56262576	1	Gasket
17	56209261	2	Washer, Sealing 9/16
18	56003633	2	Scr, Pan Phil SS Type B 10-16 x .50



**RECOVERY SYSTEM - 265HD (after SN 1189104)**

Item	Ref. No.	Qty	Description
1	56393841	1	Recovery Tank
2	56324281	1	Swivel Snap
3	56745391	1	S-Hook
4	56477613	3	Cable Tie
5	56393772	1	Drain Plug
6	56393770	1	Drain Hose
7	56263379	1	Strap
8	56329145	2	Hose Clamp
9	56393769	1	Hose with Cuff
10	56393771	1	Hose with Cuffs
11	56324396	1	Cover Assembly (#12-18)
12	56391690	1	Ball
13	56324497	2	Cage, Float
14	56324298	1	Elbow, Float
15	56324395	1	Cover, Tank
16	56262576	1	Gasket
17	56209261	2	Washer, Sealing 9/16
18	56003633	2	Scr, Pan Phil SS Type B 10-16 x .50



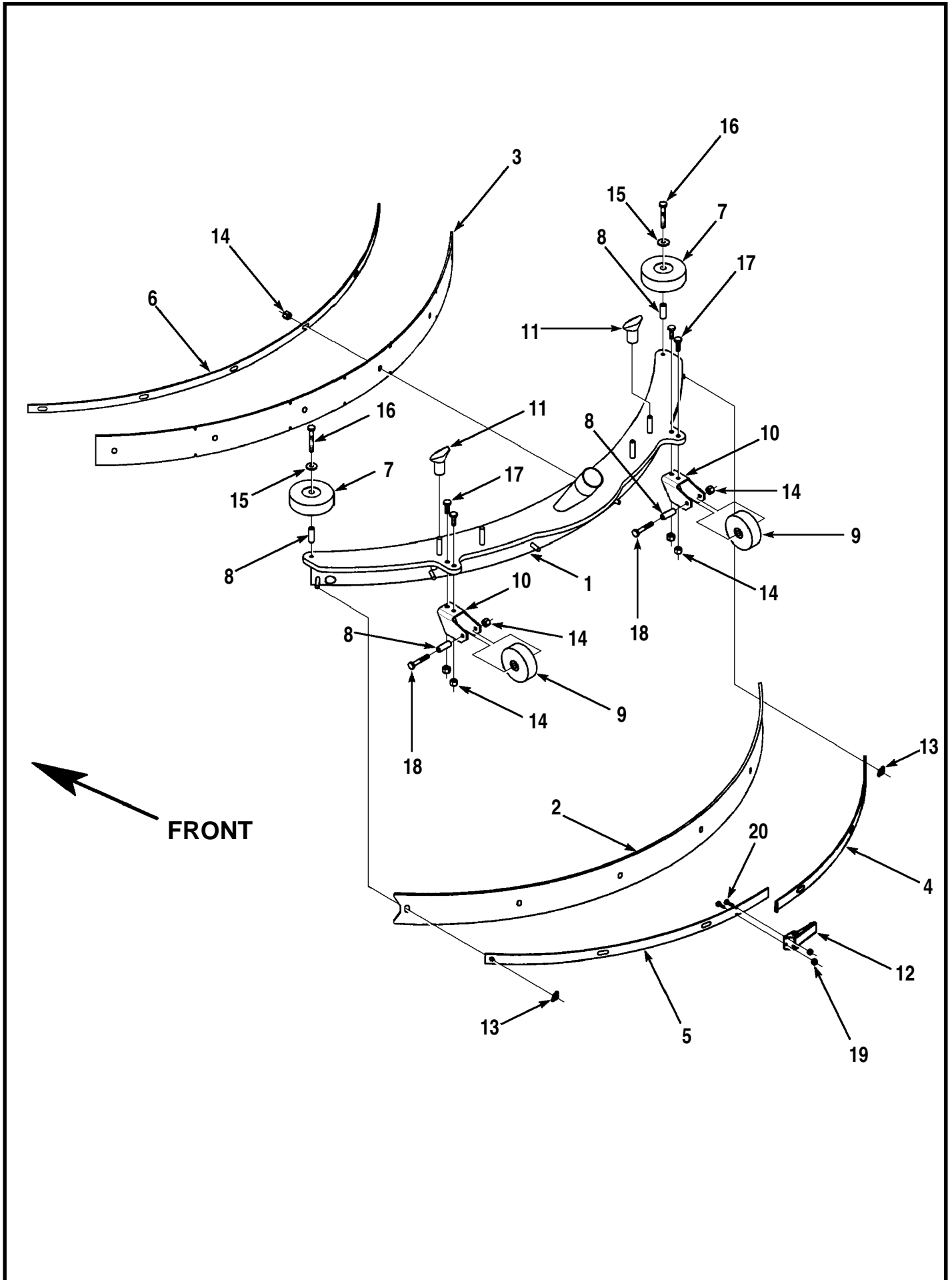
FRONT



# SQUEEGEE MOUNT

Item	Ref. No.	Qty	Description
1	56001831	2	1/2-13 x 1-1/4 Bolt
2	56001879	2	1/2 Washer
3	56478781	2	Sleeve Bearing
4	56360627	2	Bushing
5	56393292	1	Mount
6	56331076	2	Collar
7	56475480	1	Knob
8	56002931	3	#10-24 x 3/16 Loc Set Screw
9	56002155	1	1/4-20 x 3/4 Screw
10	56387380	1	Half Clevis
11	56002708	1	1/4-20 Nyl Loc Nut
12	56393293	1	Mount
13	56002568	1	3/4-16 Jam Nut
14	56391864	1	Ball Joint
15	56002843	2	1/2-13 Thin Nyl Loc Nut
16	56391855	1	Rod
17	56003015	1	3/8-16 SS Jam Nut
18	56393398	1	Stabilizer Plate

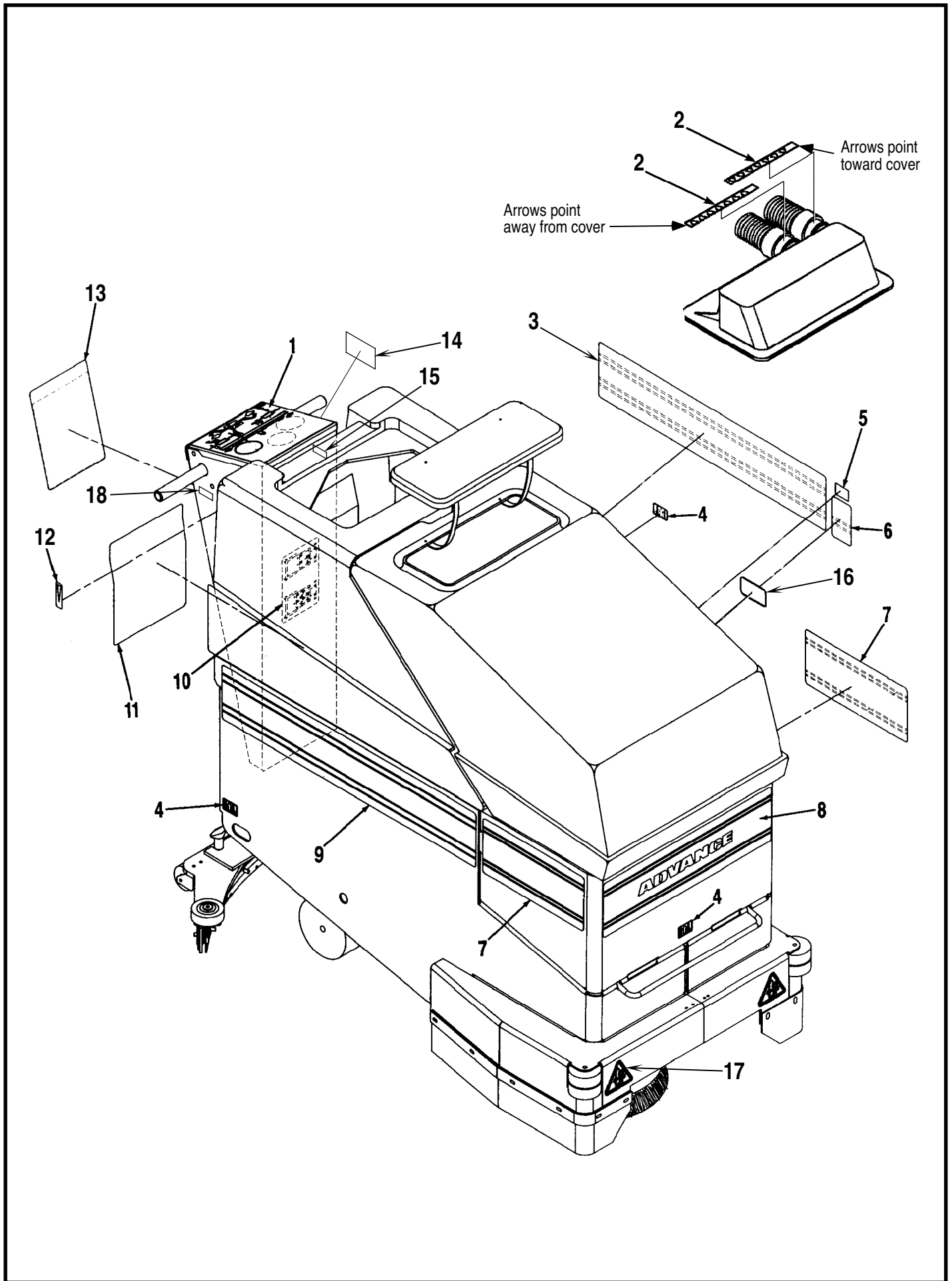




# SQUEEGEE

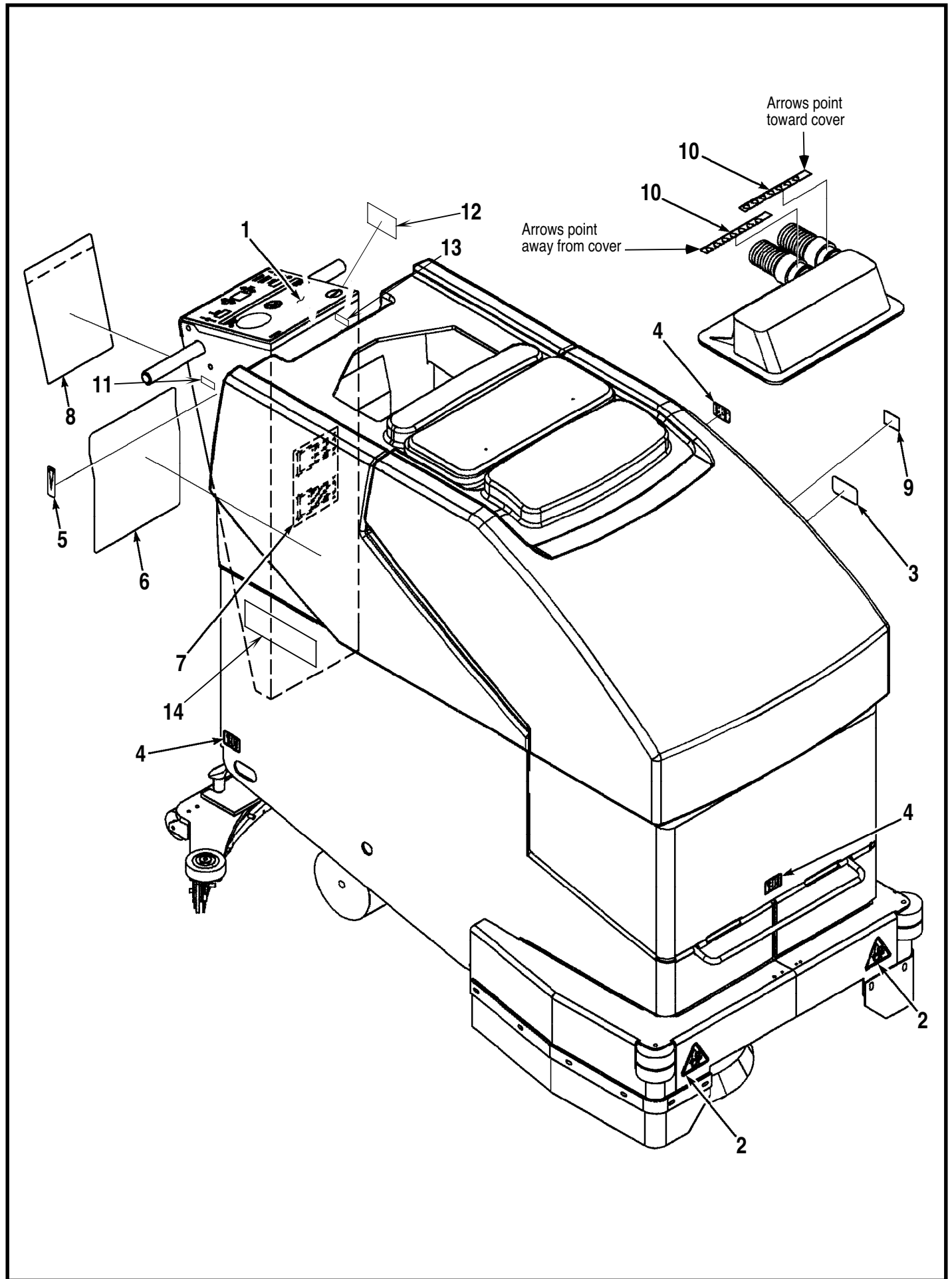
Item	Ref. No.	Qty	Description
	56391339	1	Squeegee Assy (#1-20)
1	56391338	1	Squeegee Tool
2	56391333	1	Main Wiping Blade, Gum Rubber
	56391343	1	Main Wiping Blade, Neoprene
3	56391334	1	Front Blade, Gum Rubber
	56391355	1	Front Blade, Neoprene
4	56391335	1	Right Rear Strap
5	56391336	1	Left Rear Strap
6	56391337	1	Front Strap
7	56324499	2	Wheel
8	56471220	4	Bushing
9	56324350	2	Wheel
10	56409421	2	Wheel Bracket
11	56370711	2	Thumb Nut
12	56471194	1	Latch
13	56002963	2	1/4-20 SS Wing Nut
14	56002850	12	1/4-20 SS Nyl Loc Nut
15	56002859	2	1/4 Flat Washer
16	56002993	2	1/4-20 x 1-1/2 SS Loc Screw
17	56002807	4	1/4-20 x 3/4 SS Screw
18	56002901	2	1/4-20 x 1-1/2 SS Screw
19	56002964	2	#6-32 SS Nyl Loc Nut
20	56002909	2	#6-32 x 3/8 SS Screw
	56391340	1	Standard Blade Kit ( <b>Gum Rubber / #2-3</b> )
	56391342	1	Oil Resistant Blade Kit ( <b>Neoprene / #2-3</b> )

\* = Not Shown



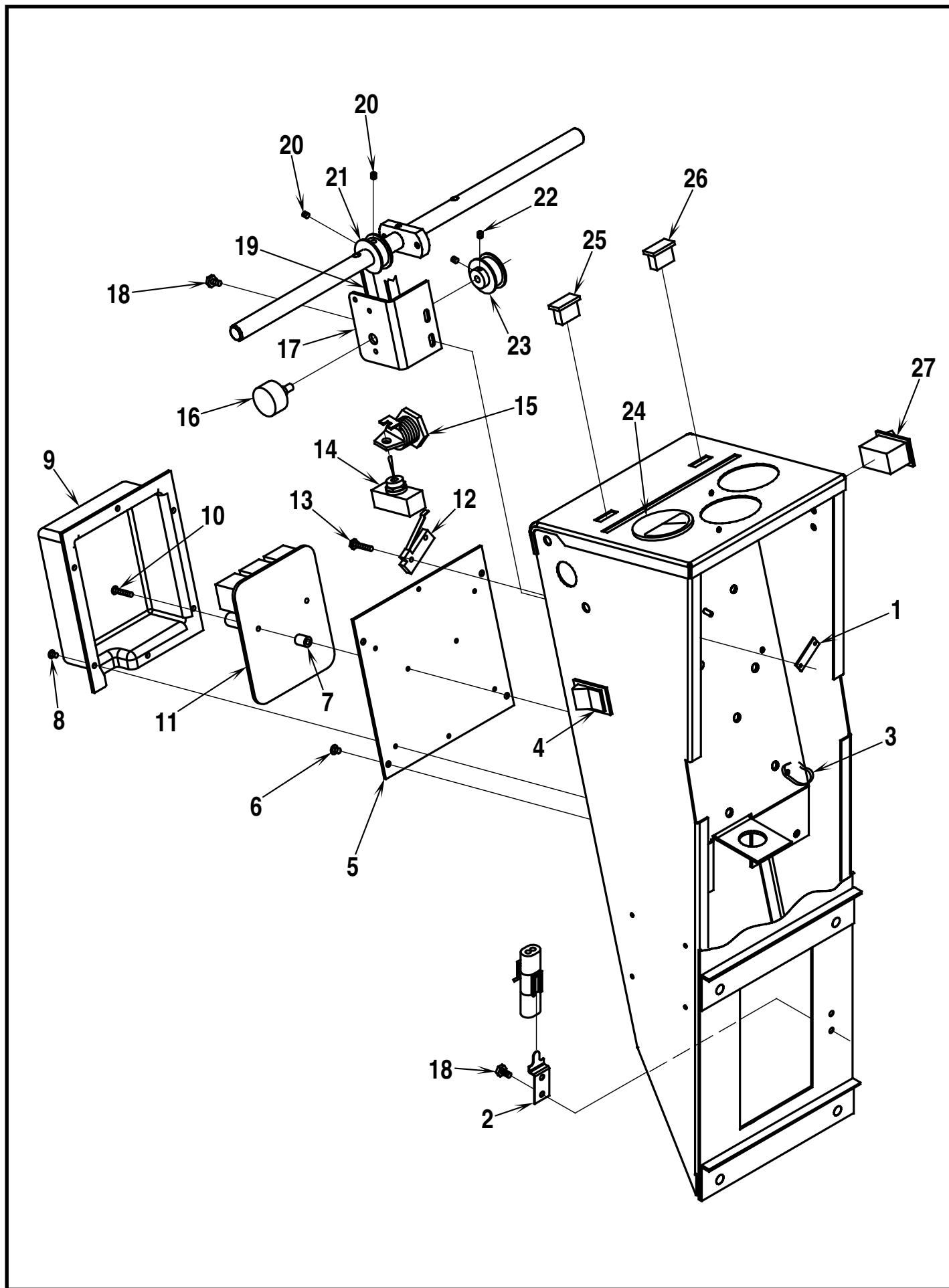
**DECALS - 265LX (265HD before SN 1189105)**

Item	Ref. No.	Qty	Description
1	56015394	1	Decal, Control Panel
2	56015655	2	Decal, Direction
3	56015382	1	Decal, Left Rear Stripe
4	56015370	3	Decal, Tie Down
5	56054192	1	Decal, Charger
6	56015390	1	Decal, Door Stripe
7	56015635	2	Decal, Front Stripe (265 LX)
	56015637	2	Decal, Front Stripe (265 HD)
8	56015392	1	Decal, Front Stripe
9	56015378	1	Decal, Right Rear Stripe
10	56015414	1	Decal, Batteries
11	56015811	1	Decal, Wiring
12	56016334	1	Decal, Solution Valve
13	56014601	1	Decal, Caution
14	56016011	1	Decal, Wear Items
15	56015422	1	Decal, Power
16	56015484	1	Decal, Circuit Breaker
17	56015506	2	Decal, Rotating Brush Hazard
18	56015487	1	Decal, ON-OFF-ON



**DECALS - 265HD (after SN 1189104)**

Item	Ref. No.	Qty	Description
1	56015394	1	Decal, Control Panel
2	56015506	2	Decal, Rotating Brush Hazard
3	56015484	1	Decal, Circuit Breaker
4	56015370	3	Decal, Tie Down
5	56016334	1	Decal, Solution Valve
6	56015811	1	Decal, Wiring
7	56015414	1	Decal, Batteries
8	56014601	1	Decal, Caution
9	56054192	1	Decal, Charger
10	56015655	2	Decal, Direction
11	56015487	1	Decal, ON-OFF-ON
12	56016035	1	Decal, Wear Items
13	56015422	1	Decal, Power
14	56015995	2	Decal, 265HD

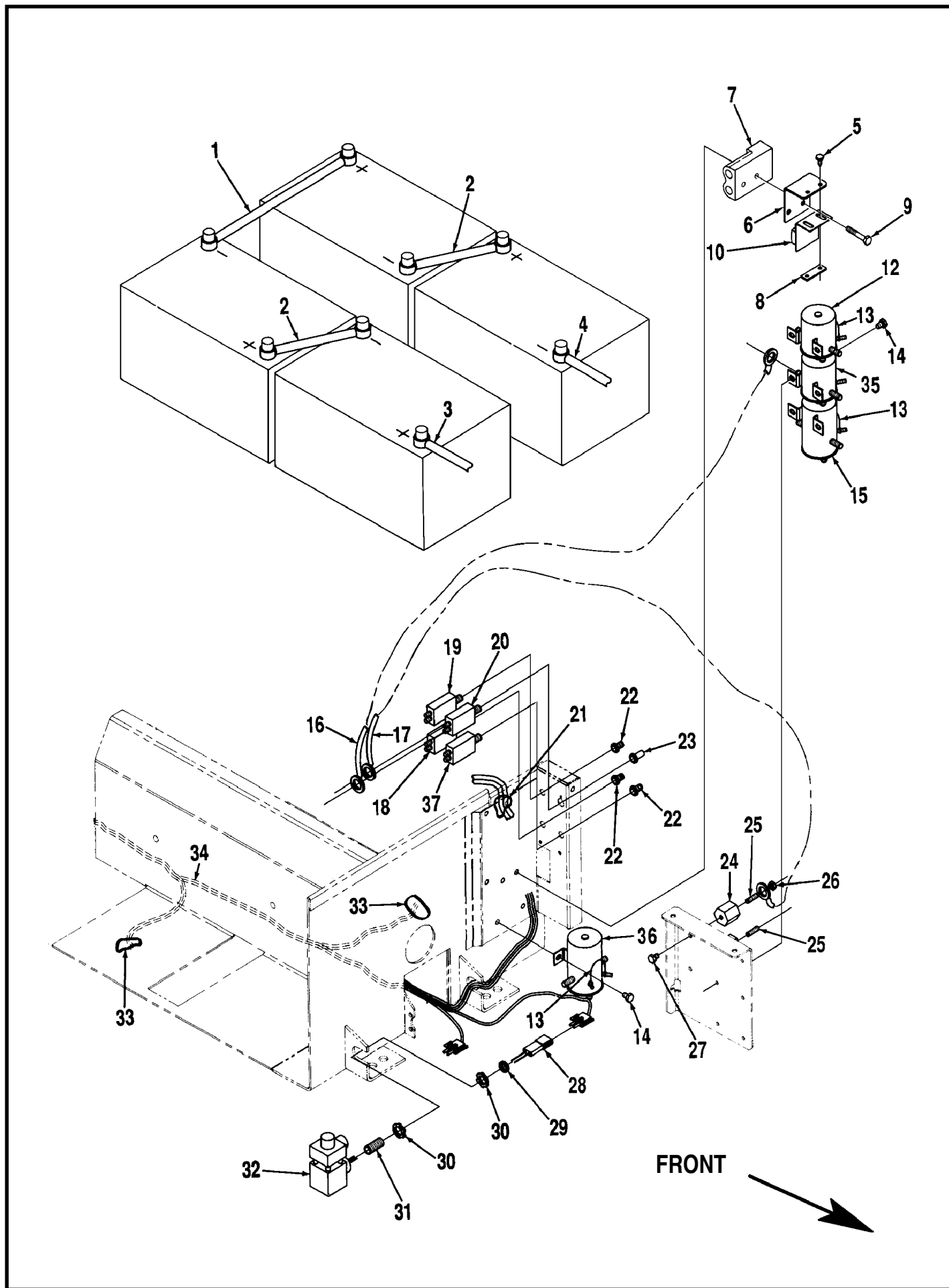


## HANDLE ELECTRICAL

Item	Ref. No.	Qty	Description
1	56376015	1	Nut Plate
2	56324366	1	Bracket ( <b>only used before SN 1078276</b> )
3	56900753	4	Push Mount Tie
4	56324272	1	Rocker Switch (Solution)
5	56324121	1	Heat Sink
6	56002834	4	Scr, Hex 10-24 x .38
7	56377721	2	Spacer
8	56009051	6	Scr, Pan Phil Thd Form 8-32 x .38
9	56324128	1	Controller Cover
10	56009034	2	Scr, Pan Phil Thd Form 8-32 x .88
11	56324618	1	Speed Control Kit <b>TSB 660, G-11</b>
12	56324362	1	Switch
13	56002809	3	Scr, Hex Hd Loc 6-32 x .88
14	56301636	1	Toggle Switch
15	56393325	1	Key Lock Bracket
*	56393415	1	Replacement Key for 56393325
16	56454740	1	Potentiometer 5K Ohm
17	56324119	1	Bracket
18	56009012	4	Scr, Hex Thd Form 10-24 x .38
19	56324022	1	Belt
20	56009183	2	Scr, Soc Set 10-24 x .19
21	56392859	1	Cog Pulley
22	56009184	2	Scr, Soc Set 8-32 x .25
23	56324513	1	Cog Pulley
24	56389529	1	Battery Meter
*	56492305	2	Rubber Boot
25	56324028	1	Blue Light
26	56389434	1	Green Light
27	56393312	1	Rocker Switch (Brush)

\* = Not Shown



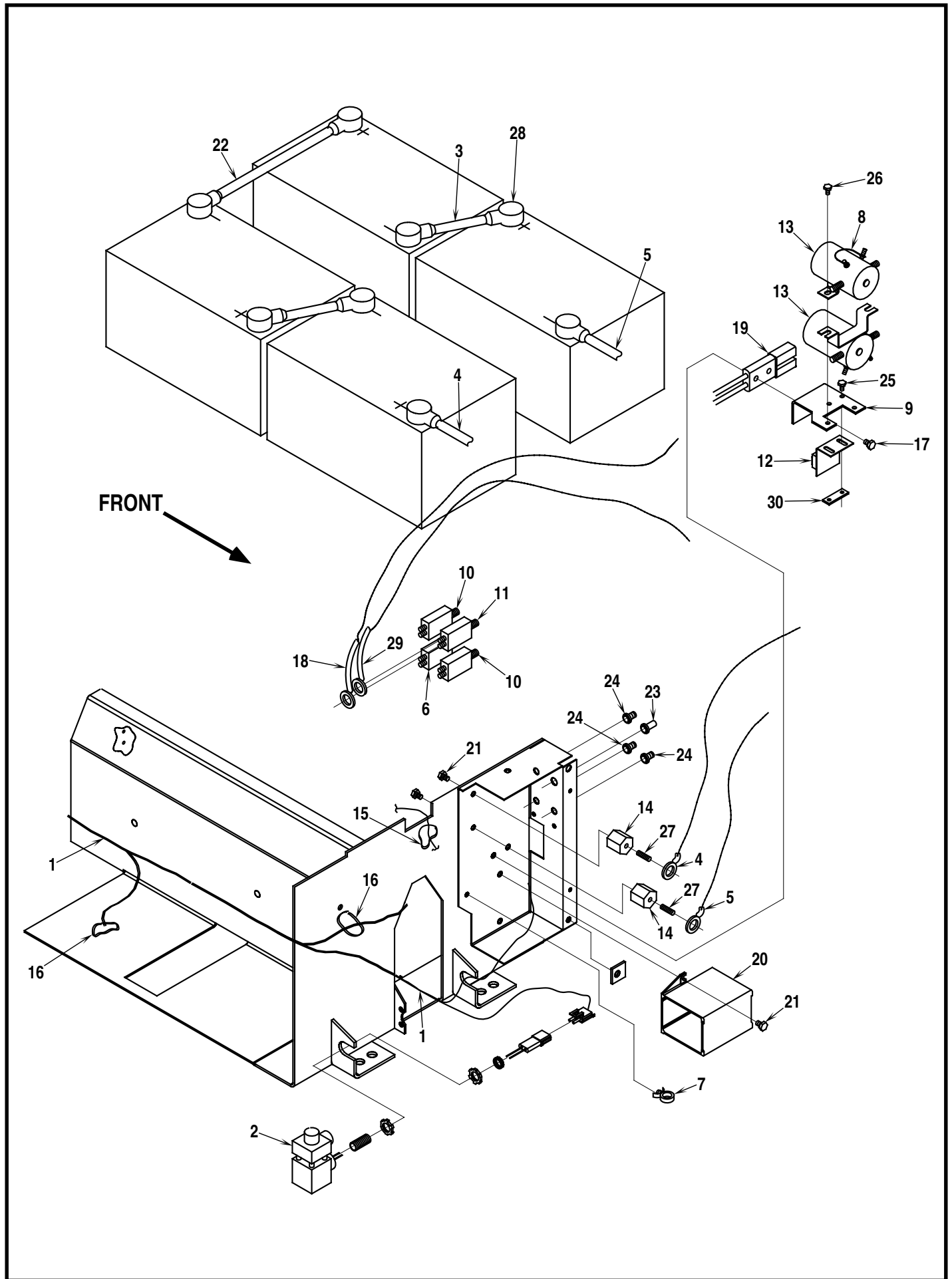


## CHASSIS ELECTRICAL (before SN 1079087)

Item	Ref. No.	Qty	Description
*	56372673	8	Battery Terminal Boot
**	56376014	4	Battery 6V, 244 Amp Hour
**	56372947	1	Automatic Battery Charger 24V-20A for 244 AH Batteries
**	56391391	4	Battery 6V, 305 Amp Hour
**	56388109	1	Automatic Battery Charger 24V-25A for 305 AH Batteries
1	56363936	1	Battery Cable
2	56363928	2	Battery Cable
3	56372524	1	Battery Cable
4	56372526	1	Battery Cable
5	56002926	3	#10-24 x 3/8 Loc Screw
6	56393582	1	Switch Bracket
7	56100621	1	Charger Plug
8	56324310	1	Nut Plate
9	56001833	2	1/4-20 x 1-1/2 Screw
10	56462362	1	Charger Interlock Switch
11			<b>Intentionally Omitted</b>
12	56468358	1	Vacuum Motor Solenoid
13	56389265	3	Diode Assembly
14	56002530	8	1/4-20 x 3/8 HP-5 Screw
15	56263261	1	Down Solenoid
16	56393379	1	Cable
17	56393380	1	Cable
18	56387328	1	5 Amp Control Circuit Breaker
19	56395454	1	20 Amp Vacuum Motor Circuit Breaker
20	56454429	1	70 Amp Brush Motor Circuit Breaker
21	56478246	20	Cable Tie
22	56459367	3	Button Boot
23	56459369	1	Button Boot
24	56469858	2	Insulated Stand-Off
25	56150274	2	1/4-20 x 7/8 Stud
26	56002040	2	1/4-20 Jam Nut
*	56001803	2	1/4 Shakeproof Washer
27	56002933	2	1/4-20 x 3/8 Loc Screw
28	56462360	1	Connector
29	56324251	1	Insulating Bushing
30	56171094	2	1/2 Lock Nut
31	56324250	1	Conduit
32	56324247	1	Solenoid Valve
33	56900753	4	Push Mount Tie
34	56393318	1	Wiring Harness
35	56468358	1	Brush Motor Solenoid
36	56263261	1	Up Solenoid
37	56395454	1	20 Amp Wheel Motor Circuit Breaker

\* = Not Shown

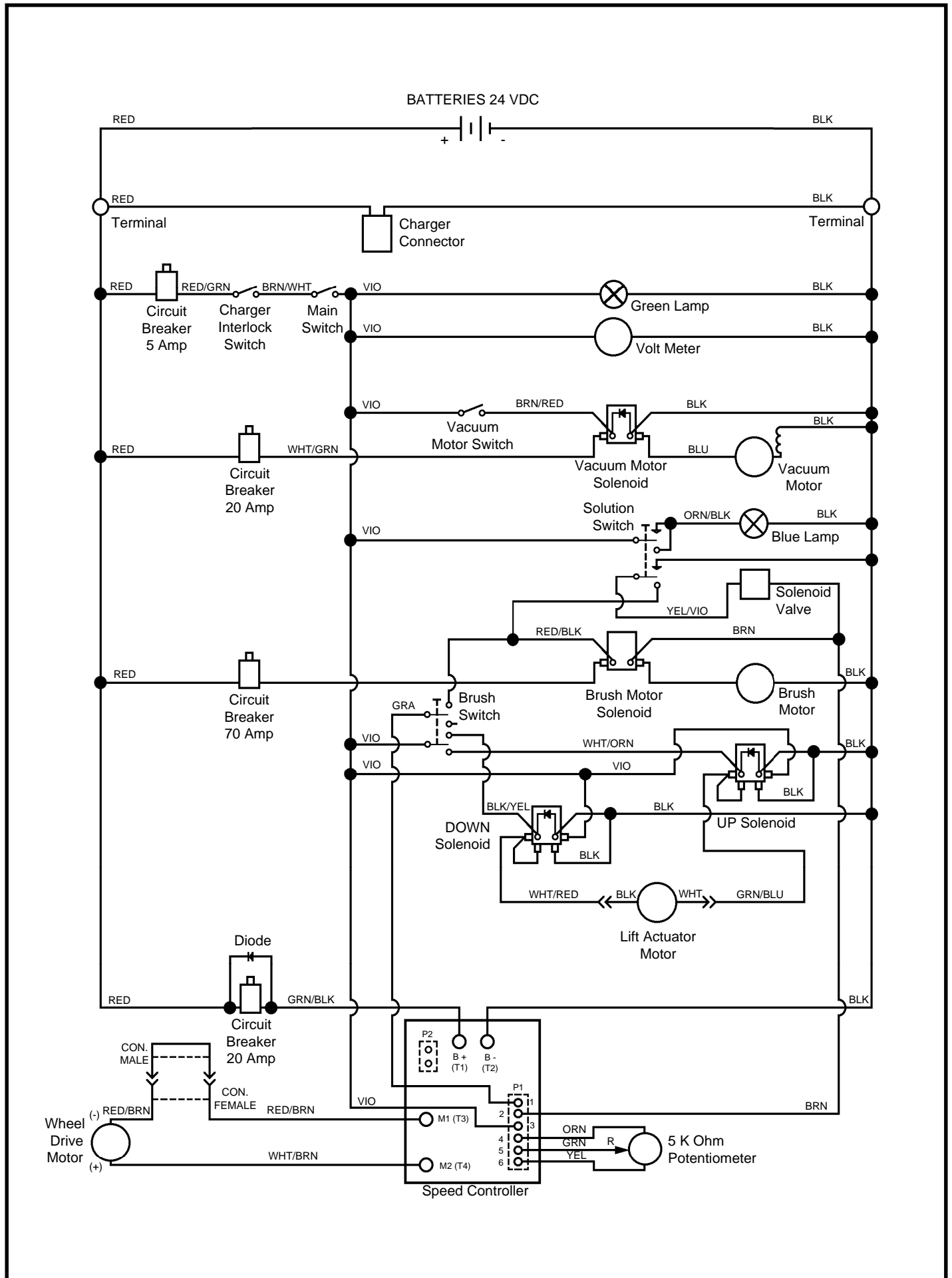
\*\* = Optional Accessory, not included



## CHASSIS ELECTRICAL (after SN 1079086)

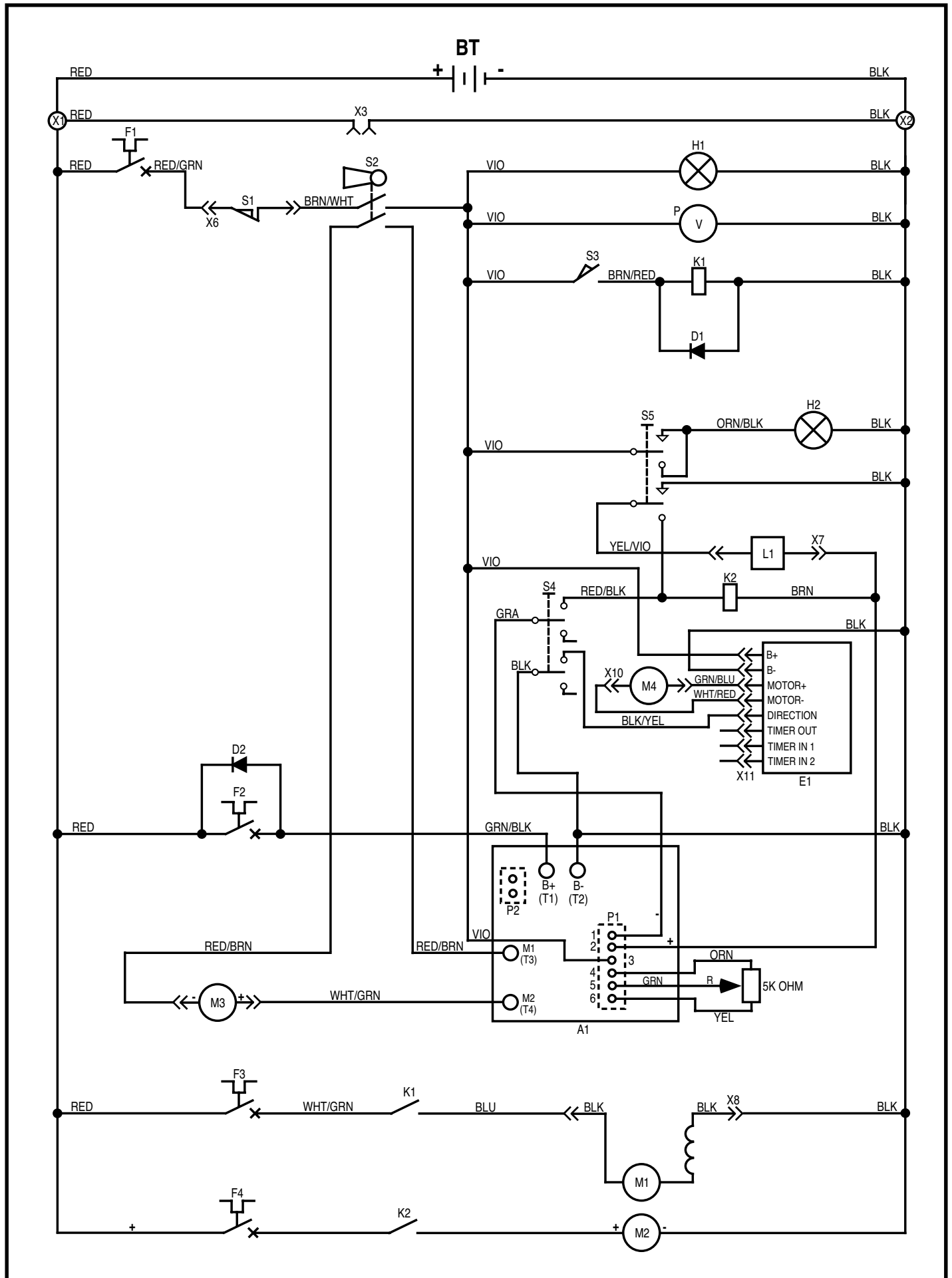
Item	Ref. No.	Qty	Description
**	56376014	4	Battery 6V, 244 Amp Hour
**	56372947	1	Automatic Battery Charger 24V-20A for 244 AH Batteries
**	56391391	4	Battery 6V, 305 Amp Hour
**	56388109	1	Automatic Battery Charger 24V-25A for 305 AH Batteries
1	56393779	1	Wiring Harness
2	56324247	1	Solenoid Valve Assy
3	56363928	2	Battery Cable
4	56372524	1	Battery Cable
5	56372526	1	Battery Cable
6	56387328	1	Circuit Breaker, 5 Amp
7	56393471	1	Clip
8	56389265	2	Diode Assy
9	56393781	1	Bracket, switch
10	56395454	2	Circuit Breaker, 20 Amp
11	56454429	1	Circuit Breaker, 70 Amp
12	56462362	1	Switch Assy (charger interlock)
13	56468358	2	Solenoid
14	56469858	2	Stand-off, Insulated
15	56478246	20	Cable Ties
16	56900753	4	Tie, Pushmount
17	56001833	2	Scr, Hex Hd 1/4-20 x 1.50
18	56393786	1	Wire Assy
19	56393782	1	Charger Plug Assy
20	56392174	1	Actuator Control Module
21	56002933	4	Scr, Hex Loc 1/4-20 x .38
22	56363936	1	Cable, Battery 4 x 15
23	56459369	1	Boot, Reset Button
24	56459367	3	Boot, Reset Button
25	56002926	2	Scr, Hex Hd Loc 10-24 x .38
26	56009019	2	Scr, Hex Thd Form 1/4-20 x .38
27	56150274	2	Stud, 1/4-20 x .88
28	56372673	8	Battery Cable Boot
29	56393783	1	Wire Assy
30	56324310	1	Nut Plate

\*\* = Optional Accessory, Not Included



## WIRING DIAGRAM (before SN 1079087)

Ref. No.	Qty	Description
56376014	4	Battery 6V, 244 Amp Hour (not included)
56372947	1	Automatic Battery Charger 24V-20A for 244 AH Batteries
56391391	4	Battery 6V, 305 Amp Hour (not included)
56388109	1	Automatic Battery Charger 24V-25A for 305 AH Batteries
56372526	1	Battery Cable, Negative
56372524	1	Battery Cable, Positive
56324028	1	Blue Lamp
56393493	1	Brush Motor
56468358	1	Brush Motor Solenoid
56393312	1	Brush Switch
56100621	1	Charger Connector
56462362	1	Charger Interlock Switch
56387328	1	Circuit Breaker 5 Amp (Control Circuit)
56395454	1	Circuit Breaker 20 Amp (Vacuum Motor)
56454429	1	Circuit Breaker 70 Amp (Brush Motor)
56395454	1	Circuit Breaker 20 Amp (Wheel Drive)
56462360	1	Connector Male
56462361	1	Connector Female
56389265	3	Diode
56263261	1	Down Solenoid
56389434	1	Green Lamp
56393303	1	Lift Actuator Motor
56301636	1	Main Switch (key switch)
56454740	1	Potentiometer 5K Ohm
56324272	1	Solution Switch
56324247	1	Solenoid Valve
56324618	1	Speed Control Kit
56150274	2	Terminal
56263261	1	Up Solenoid
56324189	1	Vacuum Motor
56468358	1	Vacuum Motor Solenoid
56324362	1	Vacuum Motor Switch
56389528	1	Battery Meter
56263253	1	Wheel Drive Motor



## WIRING DIAGRAM (after SN 1079086)

Item	Ref. No.	Qty	Description
A1	56324618	1	Speed Control Kit <b>TSB 660, G-11</b>
BT	56376014	4	Battery 6V, 244AH
	56391391	4	Battery 6V, 305AH
D1	56389265	1	Suppression Diode
D2	56389265	1	Suppression Diode
E1	56392174	1	Actuator Control Module
F1	56387328	1	Circuit Breaker 5 Amp (aux. circuit)
F2	56395454	1	Circuit Breaker 20 Amp (wheel drive)
F3	56395454	1	Circuit Breaker 20 Amp (vacuum motor)
F4	56454429	1	Circuit Breaker 70 Amp (brush motor)
H1	56389434	1	Main Power Indicator (green)
H2	56324028	1	Solution Indicator (blue)
K1	56468358	1	Vacuum Motor Solenoid
K2	56468358	1	Brush Motor Solenoid
L1	56324247	1	Solution Solenoid Valve
M1	56324189	1	Vacuum Motor
M2	56393493	1	Brush Motor
M3	56263253	1	Wheel Drive Motor
M4	56393303	1	Brush Lift Actuator Motor
P	56389529	1	Voltmeter
R	56454740	1	Potentiometer 5K Ohm
S1	56462362	1	Charger Interlock Switch
S2	56301636	1	Main Power Switch
S3	56324362	1	Vacuum Switch
S4	56393312	1	Brush Switch
S5	56324272	1	Solution Switch
X1			Positive Main Terminal
X2			Negative Main Terminal
X3	56393782	1	Charger Connector
X6			Charger Interlock Switch Connector
X7			Solution Valve Connector
X8			Vacuum Module Connector
X9			Speed Controller Connector
X10			Actuator Motor Connector
X11			Actuator Control Module Connector





Nilfisk-Advance, Inc.  
14600 21st Avenue North  
Plymouth, MN, 55447-3408  
[www.nilfisk-advance.com](http://www.nilfisk-advance.com)  
Phone: 800-989-2235  
Fax: 800-989-6566  
©2000 Nilfisk-Advance, Inc.,  
Plymouth, MN 55447-3408  
Printed in the U.S.A.