

CONVERTAMATIC

MODEL 380 BHD

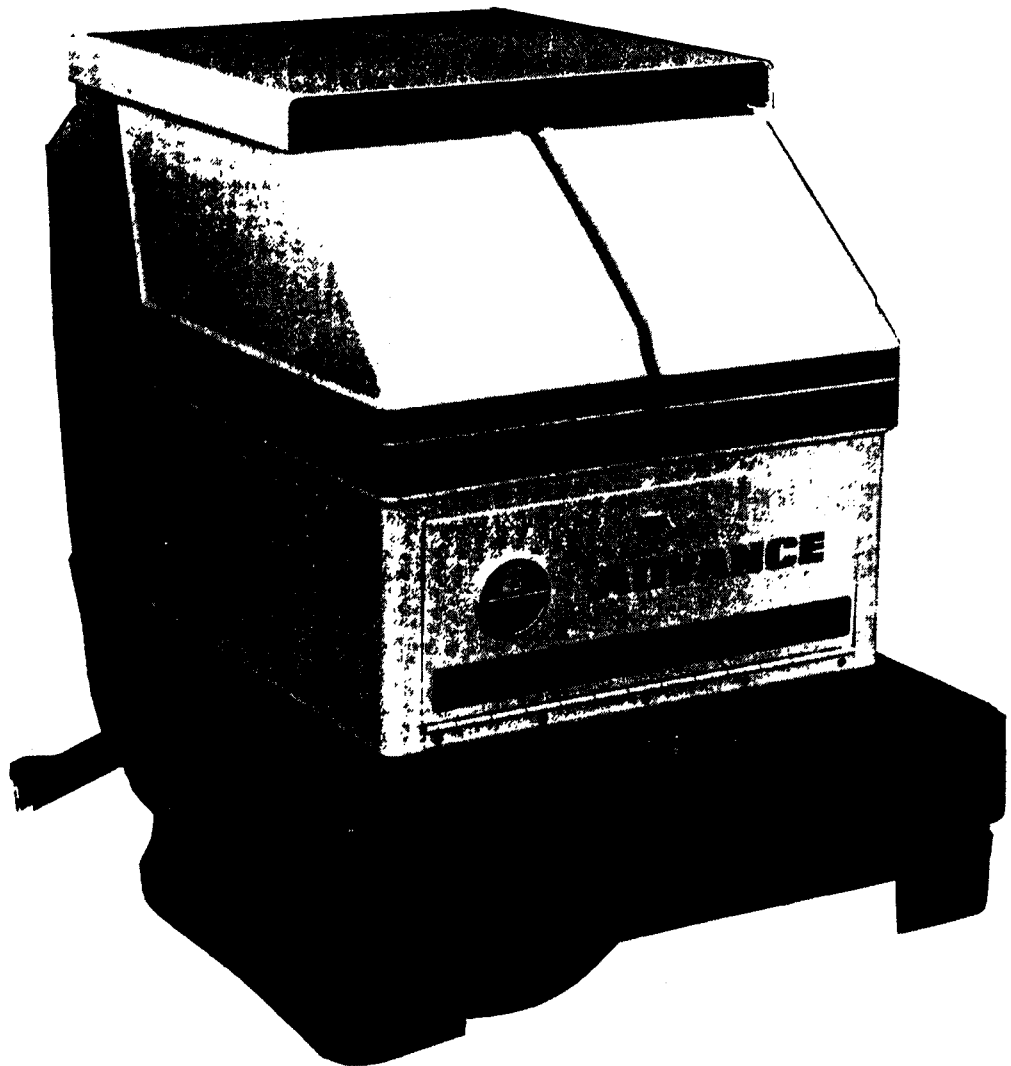
SERIAL NO. 847 844

FORM NO. 042 062

AUGUST 1981

REVISED 3/84

PARTS LIST



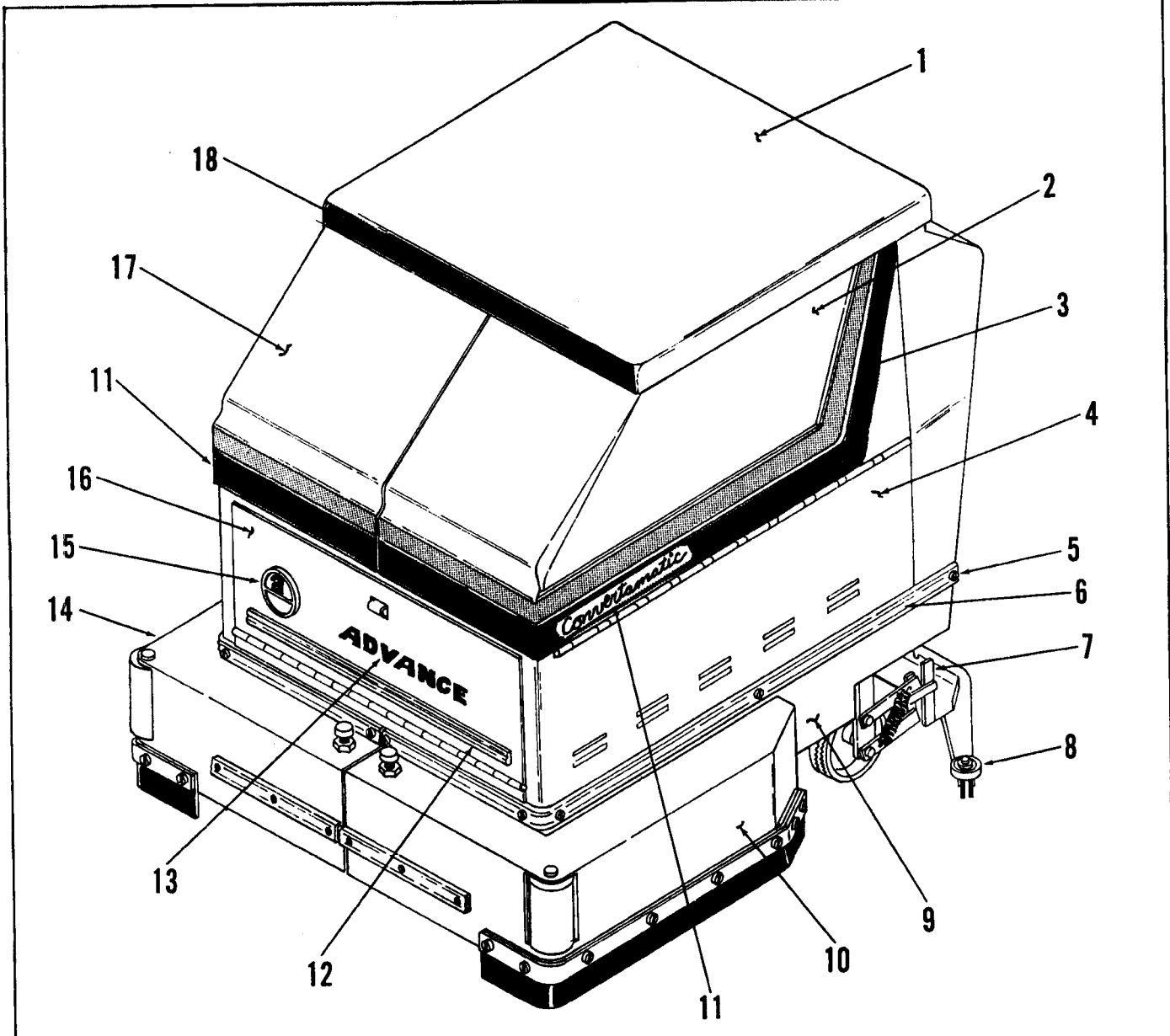
ADVANCE

INTERNATIONAL HEADQUARTERS, Spring Park, Minnesota 55384 USA
EUROPE, 4 Rue Jean Engling, L. 1466 Luxembourg
CANADA, 45 Iron Street, Rexdale, Ontario



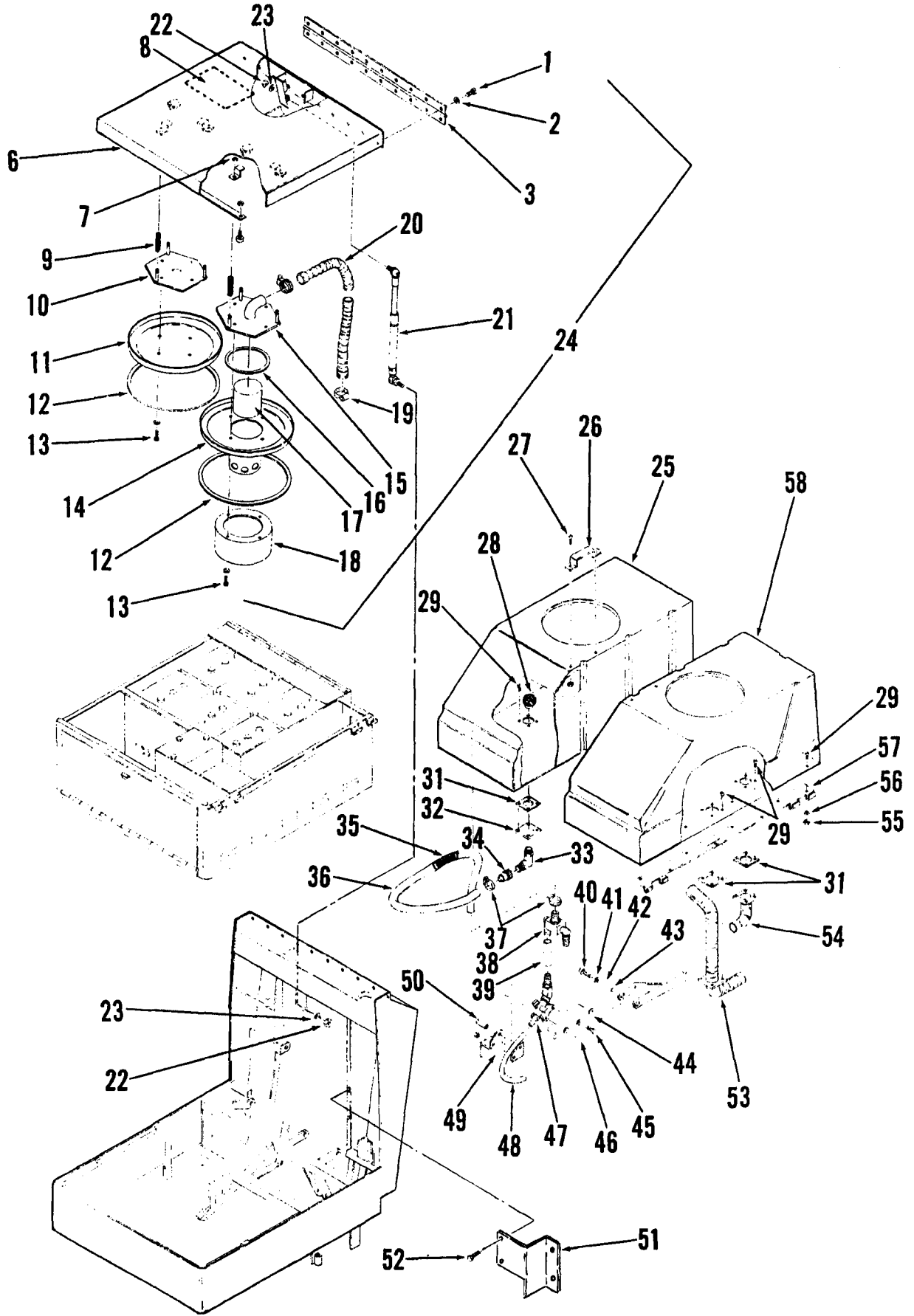
INDEX FOR FORM NUMBER 042062

| <u>Description</u> | <u>Location</u> | <u>Page</u> |
|---|-----------------|-------------|
| Brush Drive | D1 | 10 |
| Caster, Control Handle & Brush Lift Linkage | C13 | 8 |
| Motor, Brush Drive | D5 | 14 |
| Motor, Vacuum | D6 | 15 |
| Outer Body | C6 | 1 |
| Skirts & Chassis | C9 | 4 |
| Solution Valve, Tanks & Hood | C7 | 2 |
| Squeegee | C10 | 5 |
| Vacuum Motors & Battery Housing | C11 | 6 |
| Wheel Drive | D3 | 12 |
| Wiring Diagram | D7 | 16 |



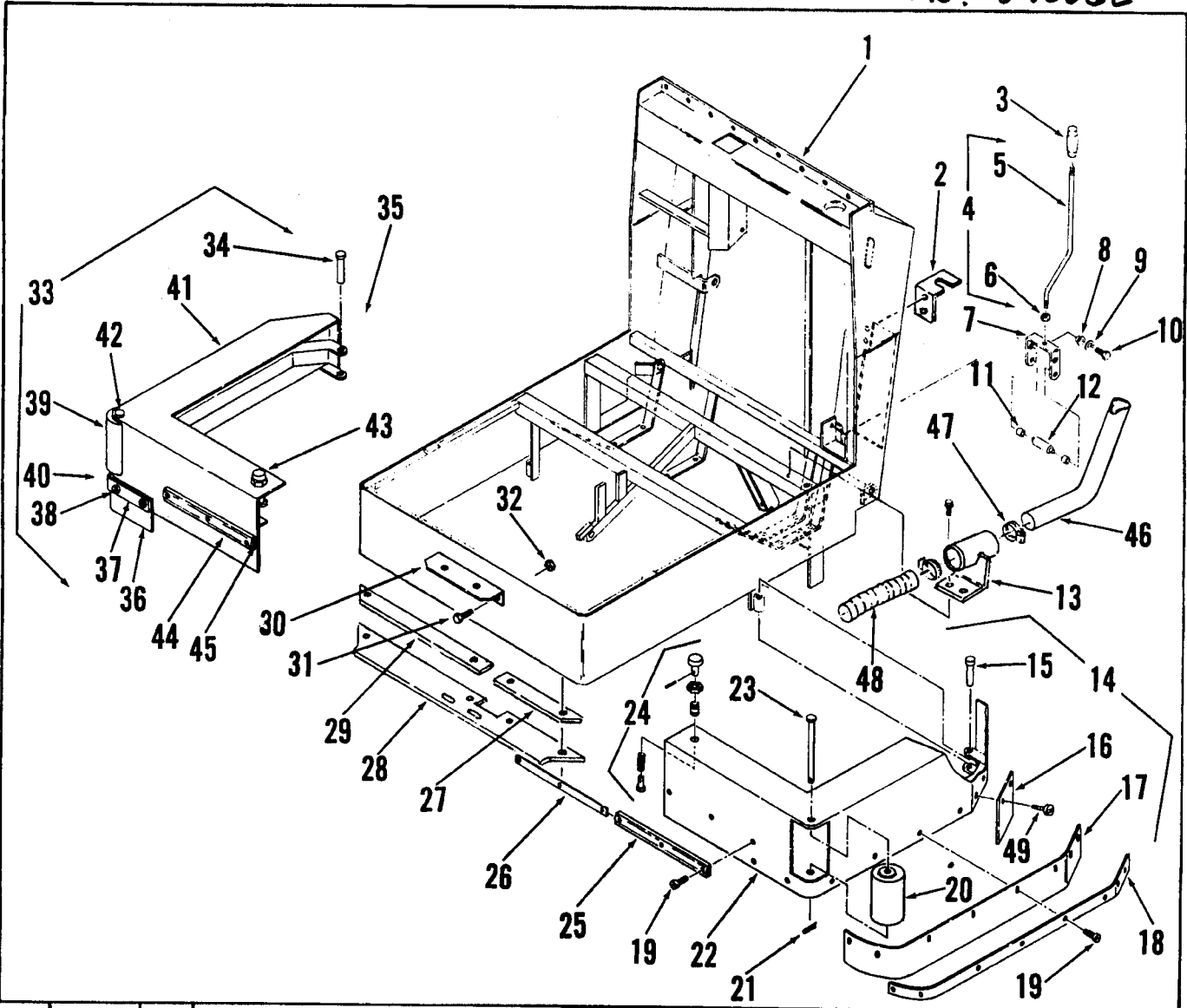
| ITEM | PART NO | QTY | DESCRIPTION |
|------|--------------------|-----|---|
| 1 | 395 175 | 1 | HOOD ASSEMBLY |
| 2 | 404 152 | 1 | TANK ASSEMBLY, RECOVERY |
| 3 | 016 557 | 1 | DECAL, STRIPE - RECOVERY TANK |
| 4 | 016 555 | 1 | DECAL, STRIPE - SOLUTION TANK (not shown) |
| 4 | 395 100 | 1 | HOUSING, BATTERY |
| 5 | | 16 | SCREW, PAN HD. #10-24 x 1/2 |
| 6 | 379 557 | 2 | BUMPER, CHASSIS |
| 7 | 379 450 | 1 | SQUEEGEE MOUNT ASSEMBLY |
| 8 | 404 050 | 1 | SQUEEGEE ASSEMBLY |
| 9 | 395 020 | 1 | CHASSIS |
| 10 | 404 155 | 1 | SKIRT ASSEMBLY - LEFT |
| 11 | 016 370 | 2 | EMBLEM, CONVERTAMATIC |
| 12 | 015 142 | 1 | GRILL |
| 13 | 016 543 | 1 | DECAL, ADVANCE |
| 14 | 404 150 | 1 | SKIRT ASSEMBLY - RIGHT |
| 15 | 016 398 | 1 | EMBLEM, ADVANCE |
| 16 | 395 150 | 1 | DOOR ASSEMBLY, FRONT |
| 17 | 404 142 | 1 | TANK, SOLUTION |
| 18 | 016 575 | 1 | DECAL, HOOD |

HOUSING ASSEMBLY

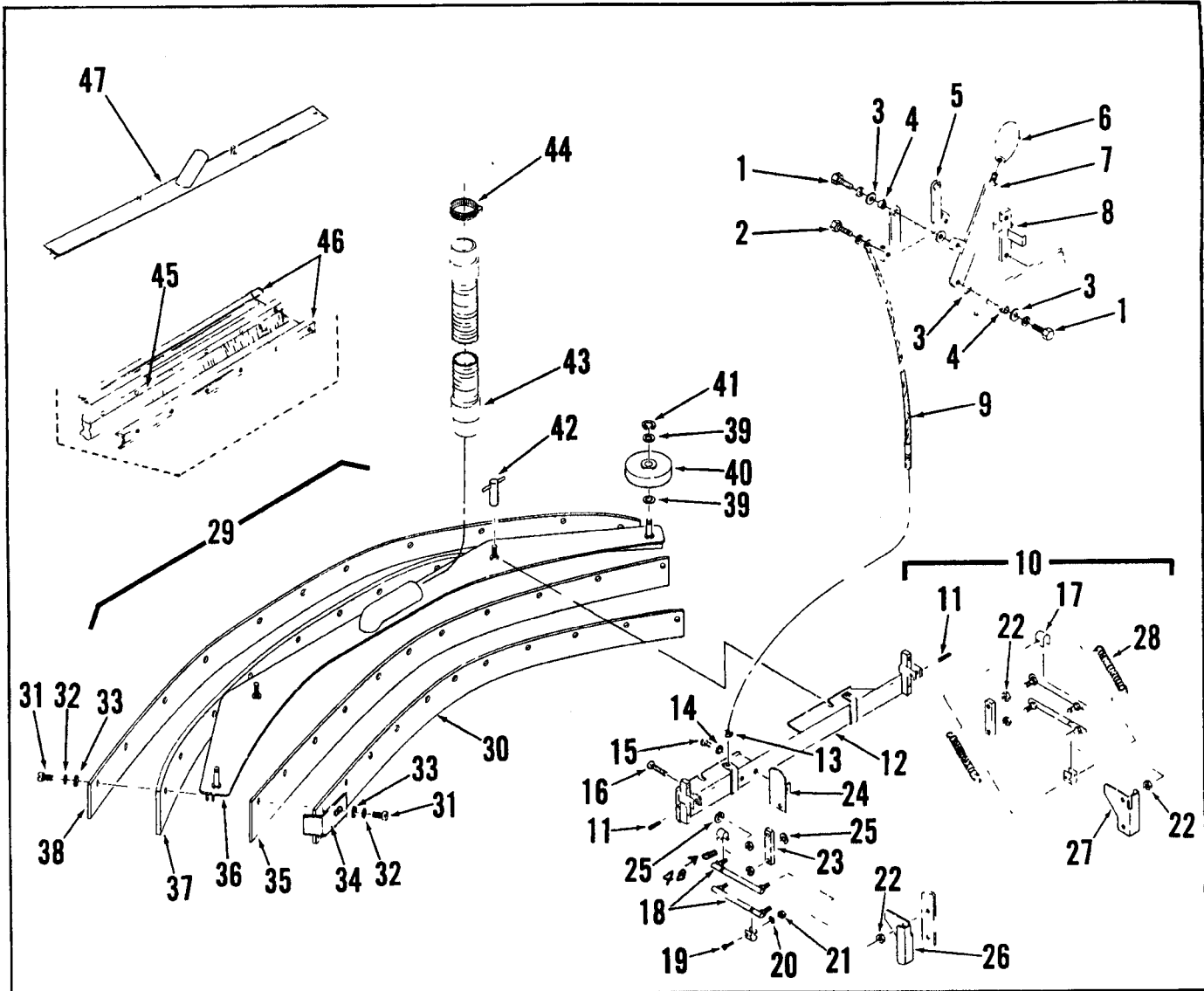


HOOD COVER & TANK ASSEMBLIES

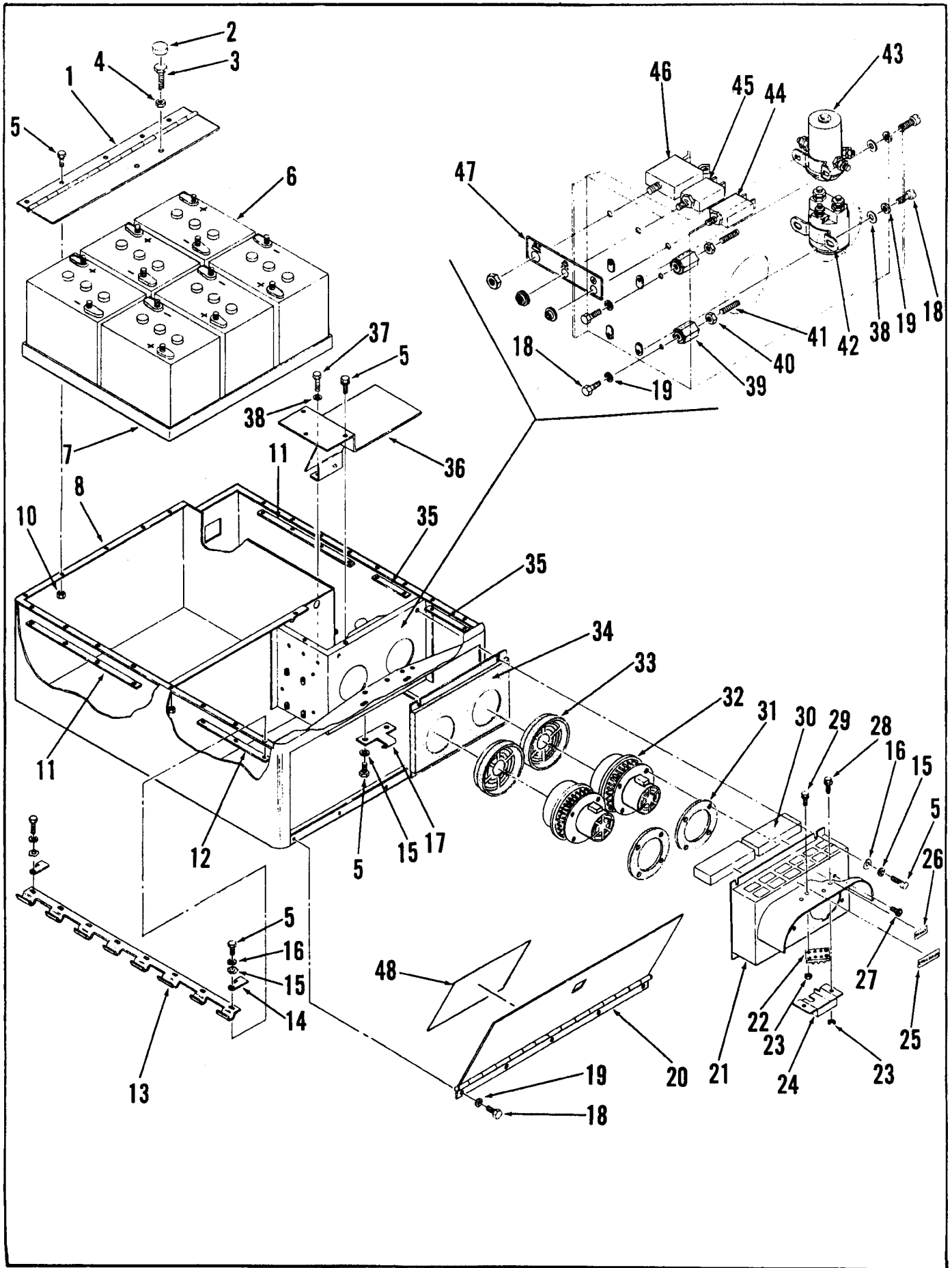
| ITEM | PART NO | QTY | DESCRIPTION |
|------|---------|-----|---|
| 1 | | 20 | SCREW, PAN HD. #10-24 x 5/16 |
| 2 | | 20 | WASHER 5/16 |
| 3 | 379 184 | 1 | HINGE, HOOD |
| 4 | | 2 | NUT, HEX 1/4-20 |
| 5 | 386 312 | 2 | STOP, HOOD |
| 6 | 395 178 | 1 | HOOD |
| 7 | 321 125 | 6 | RING, RETAINING |
| 8 | 016 225 | 1 | DECAL, INSTRUCTION |
| 9 | 379 170 | 6 | SPRING |
| 10 | 379 192 | 1 | MOUNT |
| 11 | 379 186 | 1 | COVER |
| 12 | 385 245 | 2 | GASKET |
| 13 | | 8 | SCREW, PAN HD. (BRASS) W/WASHER |
| 14 | 385 237 | 1 | COVER |
| 15 | 379 197 | 1 | MOUNT |
| 16 | 385 247 | 1 | GASKET |
| 17 | 385 198 | 1 | FLOAT |
| 18 | 379 206 | 1 | DEFLECTOR |
| 19 | 329 145 | 2 | CLAMP, HOSE |
| 20 | 375 404 | 1 | HOSE, VACUUM |
| 21 | 385 238 | 1 | CYLINDER, HOOD |
| 22 | | 2 | NUT, HEX 5/16-18 |
| 23 | | 2 | WASHER, LOCK 5/16 |
| 24 | 395 175 | 1 | HOOD COVER ASSEMBLY |
| 25 | 379 119 | 1 | TANK, SOLUTION |
| 26 | 360 791 | 2 | HANDLE |
| 27 | | 4 | SCREW, PAN HD. 1/4-20 x 1/2 |
| 28 | 379 125 | 1 | STRAINER |
| 29 | | 28 | SCREW, RD. HD. BRASS 1/4-20 x 5/8 |
| 31 | 380 763 | 3 | GASKET |
| 32 | 379 202 | 1 | PLATE, GASKET |
| 33 | 379 120 | 1 | FITTING, ELBOW |
| 34 | 379 114 | 1 | FITTING |
| 35 | 245 010 | 2 | SPRING |
| 36 | 379 139 | 1 | HOSE, PVC |
| 37 | 244 969 | 2 | CLAMP, HOSE |
| 38 | 406 041 | 1 | PIPING ASSEMBLY |
| 39 | 379 105 | 2 | TUBE, FLEXIBLE |
| 40 | | 5 | SCREW, HEX HD. 1/4-20 x 1/2 |
| 41 | | 5 | SPRING LOCKWASHER 1/4 |
| 42 | | 5 | WASHER, FLAT 1/4 |
| 43 | 368 989 | 2 | BUSHING |
| 44 | 150 142 | 4 | WASHER |
| 45 | | 2 | SCREW, HEX HD. 1/4-20 x 3/4 W/LKW. |
| 46 | | 2 | SCREW, HEX HD. 1/4-20 x 1/2 W/LKW. & NUT |
| 47 | 390 501 | 1 | VALVE |
| 48 | 379 096 | 1 | TUBE, FLEXIBLE - LEFT |
| | 379 108 | 1 | TUBE, FLEXIBLE - RIGHT |
| 49 | 405 876 | 1 | BRACKET, VALVE |
| 50 | 405 920 | 2 | STOP, NUT |
| 51 | 395 210 | 1 | BRACKET, HOSE GUARD |
| 52 | | 4 | SCREW, HEX HD. # 10-24 x 1/2 |
| 53 | 380 757 | 1 | TUBE, RECOVERY TANK |
| 54 | 395 188 | 1 | TUBE, RECOVERY TANK |
| 55 | | 12 | NUT, HEX 1/4-20 |
| 56 | | 16 | WASHER, SHAKEPROOF 1/4 |
| 57 | 380 820 | 2 | HINGE, TANK |
| 58 | 380 739 | 1 | TANK, RECOVERY TS& 520,6-7 |
| 59 | 380 828 | 2 | STRAP, SUPPORT (NOT SHOWN) |
| 60 | 745 876 | 4 | O-RING (NOT SHOWN) |
| 61 | | 4 | SCREW, RD. HD. BRASS 1/4-20 x 7/8 (NOT SHOWN) |
| 62 | 380 834 | 2 | GASKET (NOT SHOWN) |
| | 380 800 | 1 | RECOVERY TANK ASSEMBLY, COMPLETE |
| | 379 091 | 1 | SOLUTION TANK ASSEMBLY, COMPLETE |



| ITEM | PART NO | QTY | DESCRIPTION | ITEM | PART NO | QTY | DESCRIPTION |
|------|---------|-----|-----------------------------|------|---------|-----|-----------------------------|
| 1 | 395 020 | 1 | CHASSIS | 27 | 402 184 | 1 | PLATE, SPACER - LEFT |
| 2 | 395 190 | 1 | LATCH, VALVE LEVER | 28 | 402 141 | 1 | PLATE, LOCKING |
| 3 | 471 193 | 1 | GRIP | 29 | 402 168 | 1 | PLATE, SPACER - RIGHT |
| 4 | 372 660 | 1 | VALVE LEVER ASSEMBLY | 30 | 404 210 | 1 | PLATE, ANGLE |
| 5 | 372 956 | 1 | LEVER, DRAIN VALVE | 31 | | 2 | SCREW, HEX HD. 1/4-28 x 3/4 |
| 6 | 372 958 | 1 | NUT, HEX 5/16-18 | 32 | | 2 | NUT, HEX 1/4-28 |
| 7 | 372 652 | 1 | PIVOT, LEVER | 33 | 404 150 | 1 | SKIRT ASSEMBLY, RIGHT C/O |
| 8 | 368 989 | 2 | BUSHING | 34 | 360 147 | 1 | PIN |
| 9 | | 2 | WASHER, LOCK 1/4 | 35 | 404 215 | 1 | BLADE, RUBBER (not shown) |
| 10 | | 2 | SCREW, HEX HD. 1/4-20 x 5/8 | 36 | 400 289 | 1 | GUARD, RUBBER |
| 11 | 372 624 | 2 | BEARING | 37 | 404 220 | 1 | STRAP |
| 12 | 372 650 | 1 | ROLLER, DRAIN VALVE | 38 | 381 351 | 1 | SCREW, BLACK #10-24 |
| 13 | 395 202 | 1 | ANCHOR | 39 | 372 740 | 1 | ROLLER, BUMPER |
| 14 | 404 155 | 1 | SKIRT ASSEMBLY, LEFT C/O | 40 | | 1 | PIN, COTER (not shown) |
| 15 | 360 147 | 1 | PIN | 41 | 404 195 | 1 | SKIRT, BUMPER |
| 16 | 404 215 | 1 | BLADE, RUBBER | 42 | 372 882 | 1 | PIN |
| 17 | 400 289 | 1 | GUARD, RUBBER | 43 | 365 548 | 1 | PIN ASSEMBLY TSB 600-G2 |
| 18 | 404 220 | 1 | STRAP | 44 | 362 085 | 1 | BUMPER |
| 19 | 381 351 | 11 | SCREW, BLACK #10-24 | 45 | 362 107 | 1 | STRAP |
| 20 | 372 740 | 1 | ROLLER, BUMPER | 46 | 380 712 | 1 | HOSE, PINCH-OFF |
| 21 | | 1 | PIN, COTER .12 x 1.00 | 47 | 329 145 | 1 | CLAMP, HOSE |
| 22 | 404 165 | 1 | SKIRT, BUMPER | 48 | 385 166 | 1 | HOSE, VAC 1.50 x 27" |
| 23 | 372 882 | 1 | PIN | 49 | 404 222 | 4 | SCREW, #10-24 X 5/8 BLK |
| 24 | 365 548 | 1 | PIN ASSEMBLY, LOCKING | | | | |
| 25 | 362 085 | 1 | BUMPER | | | | |
| 26 | 362 107 | 1 | STRAP | | | | |

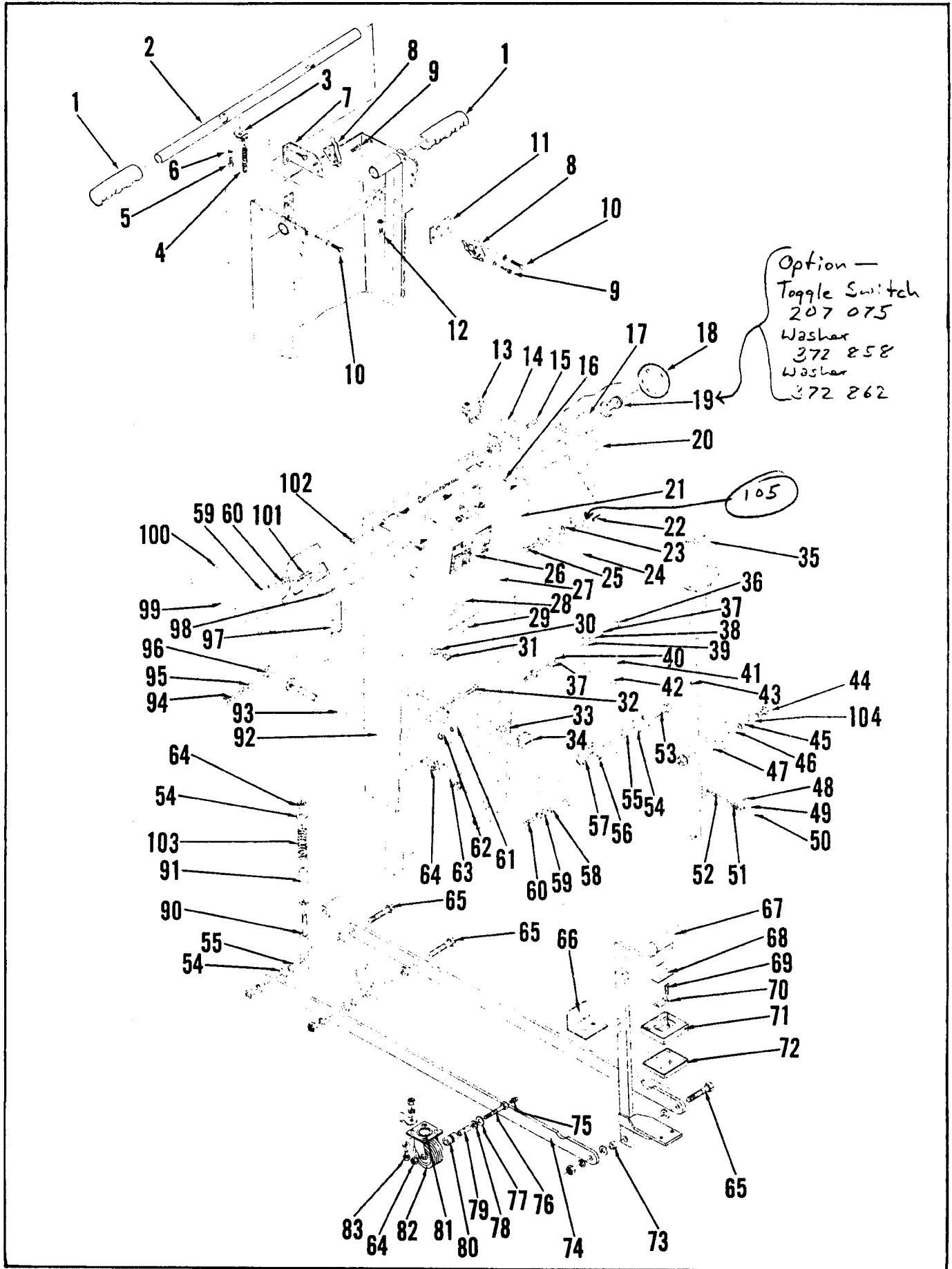


| ITEM | PART NO | QTY | DESCRIPTION | ITEM | PART NO | QTY | DESCRIPTION |
|------|---------|-----|-----------------------------------|------|---------|-----|---------------------------|
| 1 | | 4 | SCREW, HEX HD. 1/4-20 X 3/4 w/LKW | 29 | 404 050 | 1 | SQUEEGEE ASSEMBLY C/O |
| 2 | | 2 | SCREW, HEX HD. 1/4-20 X 1/2 | 30 | 404 082 | 1 | STRIP, PLASTIC |
| 3 | 151 114 | 8 | WASHER | 31 | 404 082 | 1 | SCREW, S.S. #10-24 X 1/2 |
| 4 | 379 298 | 4 | BUSHING | 32 | 209 485 | 22 | WASHER, SHAKEPROOF #10 |
| 5 | 379 252 | 1 | YOKE | 33 | | 22 | WASHER, #10 SAE |
| 6 | 364 527 | 1 | KNOB | 34 | 377 766 | 2 | ANGLE |
| 7 | 379 247 | 1 | HANDLE, SQUEEGEE LIFT | 35 | 404 072 | 1 | BLADE, NEOPRENE |
| 8 | 395 352 | 1 | ARM, SQUEEGEE LIFT | 36 | 404 056 | 1 | TOOL, PICK-UP |
| 9 | 390 774 | 1 | CABLE | 37 | 404 074 | 1 | BLADE |
| 10 | 395 500 | 1 | SQUEEGEE MOUNT ASSEMBLY C/O | 38 | 404 062 | 1 | STRAP, OUTER |
| 11 | | 2 | PIN, ROLL 1/4 X 7/8 | 39 | 371 009 | 4 | WASHER |
| 12 | 379 430 | 1 | MOUNT, TOOL | 40 | 324 499 | 2 | WHEEL 3.00 X .781 |
| 13 | | 2 | NUT, HEX 1/4-20 | 41 | 157 066 | 2 | RING, RETAINING 3/8 EXT. |
| 14 | | 2 | WASHER, SHAKEPROOF #10 | 42 | 370 711 | 2 | NUT, WING 5/16-18 |
| 15 | | 2 | SCREW, PAN HD. #10-24 X 3/8 | 43 | 379 208 | 1 | HOSE ASSEMBLY 1 1/2 X 46" |
| 16 | | 4 | SCREW, RD. HD. 1/4-20 X 1 1/2 | 44 | 329 145 | 1 | CLAMP, HOSE |
| 17 | 395 534 | 4 | COLLAR | 45 | 400 446 | 1 | BRUSH 38" |
| 18 | 365 289 | 4 | ROD END | 46 | 400 448 | 2 | PLATE 38" |
| 19 | | 4 | SCREW, PAN HD. #4-40 X 7/8 | 47 | 400 598 | 1 | TOOL |
| 20 | | 4 | WASHER, SHAKEPROOF #4 | 48 | 320595 | 8 | BUSHING |
| 21 | | 4 | NUT, HEX #4 | | | | |
| 22 | | 8 | NUT, JAM 5/16-24 | | | | |
| 23 | 395 532 | 2 | BAR | | | | |
| 24 | 395 502 | 1 | BRACKET | | | | |
| 25 | 150 142 | 4 | WASHER .265 X .75 X .03 | | | | |
| 26 | 395 506 | 1 | SHIELD, RIGHT | | | | |
| 27 | 395 508 | 1 | SHIELD, LEFT | | | | |
| 28 | 395 528 | 4 | SPRING, EXTENSION | | | | |



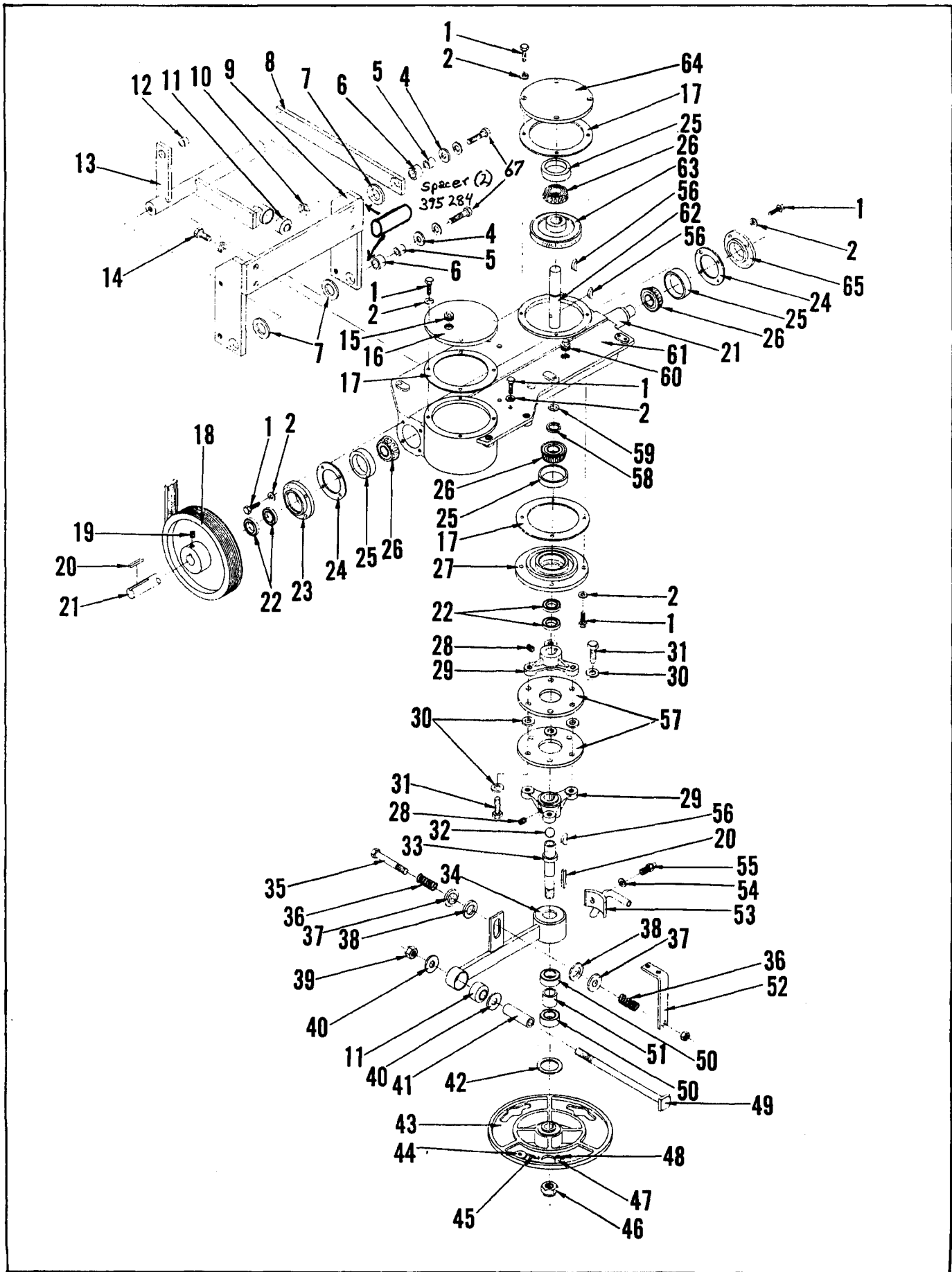
BATTERY HOUSING & VACUUM FAN ASSEMBLY

| ITEM | PART NO | QTY | DESCRIPTION |
|------|---------|-----|--|
| 1 | 395 142 | 1 | COVER, BATTERY |
| 2 | 401 788 | 4 | CAP, LEVELER - SNAP ON |
| 3 | 401 783 | 4 | LEVELER, TANK |
| 4 | | 4 | NUT, HEX 5/16-18 |
| 5 | | 32 | SCREW, PAN HD. #10-24 x 5/8 |
| 6 | 372 730 | 6 | BATTERY 6 VOLT 220 A.H. (OPTIONAL) |
| 7 | 395 136 | 1 | TRAY, BATTERY |
| 8 | 395 100 | 1 | HOUSING, BATTERY REF TSB 530, G-6 |
| 9 | 375 334 | 2 | BUSHING (NOT SHOWN) |
| 10 | | 6 | NUT, HEX #10-24 |
| 11 | 385 414 | 2 | PLATE, NUT |
| 12 | 386 286 | 1 | PLATE, NUT |
| 13 | 381 070 | 2 | HINGE |
| 14 | 381 053 | 4 | CLIP |
| 15 | | 22 | WASHER, SHAKEPROOF #10 |
| 16 | | 22 | WASHER, FLAT #10 |
| 17 | 372 700 | 1 | LATCH, DOOR |
| 18 | | 11 | SCREW, HEX HD. 1/4-20 x 1/2 |
| 19 | | 11 | WASHER, SHAKEPROOF 1/4 |
| 20 | 395 152 | 1 | DOOR, ACCESS |
| 21 | 395 262 | 1 | HOUSING |
| 22 | 380 548 | 1 | BLOCK, TERMINAL |
| 23 | | 4 | NUT, HEX #10-24 |
| 24 | 395 274 | 1 | COVER |
| 25 | 016 546 | 1 | DECAL, "THIS END UP" |
| 26 | 016 332 | 1 | DECAL, "36 VOLT" |
| 27 | | 8 | SCREW, PAN HD. #10-16 x 5/8 SELF-TAP |
| 28 | | 2 | SCREW, HEX WASHER HD. #10-24 x 1/2 TAP-TITE |
| 29 | | 2 | SCREW, HEX WASHER HD. #10-24 x 5/8 TAP-TITE |
| 30 | 380 922 | 2 | FILTER |
| 31 | 209 325 | 2 | GASKET |
| 32 | 202 321 | 2 | MOTOR, VAC 36 VOLT |
| 33 | 384 898 | 2 | FILTER |
| 34 | 395 280 | 1 | GASKET |
| 35 | 395 206 | 1 | PLATE, NUT |
| 36 | 395 196 | 1 | GUARD, BELT |
| 37 | | 2 | SCREW, HEX HD. 1/4-20 x 2" |
| 38 | | 2 | WASHER, FLAT 1/4 |
| 39 | 469 858 | 2 | STAND-OFF, INSULATED |
| 40 | | 2 | NUT, HEX 1/4-20 |
| 41 | 150 274 | 2 | STUD 1/4-20 x 7/8 |
| 42 | 395 450 | 1 | CONTACTOR 36V |
| 43 | 395 452 | 1 | SOLENOID 36V |
| 44 | 454 538 | 1 | CIRCUIT BREAKER 15A |
| 45 | 395 454 | 1 | CIRCUIT BREAKER 20A TSB 375, G-11 |
| 46 | 454 429 | 1 | CIRCUIT BREAKER 70A |
| 47 | 016 601 | 1 | DECAL, CIRCUIT BREAKER |
| 48 | 016 604 | 1 | DECAL, WIRING |



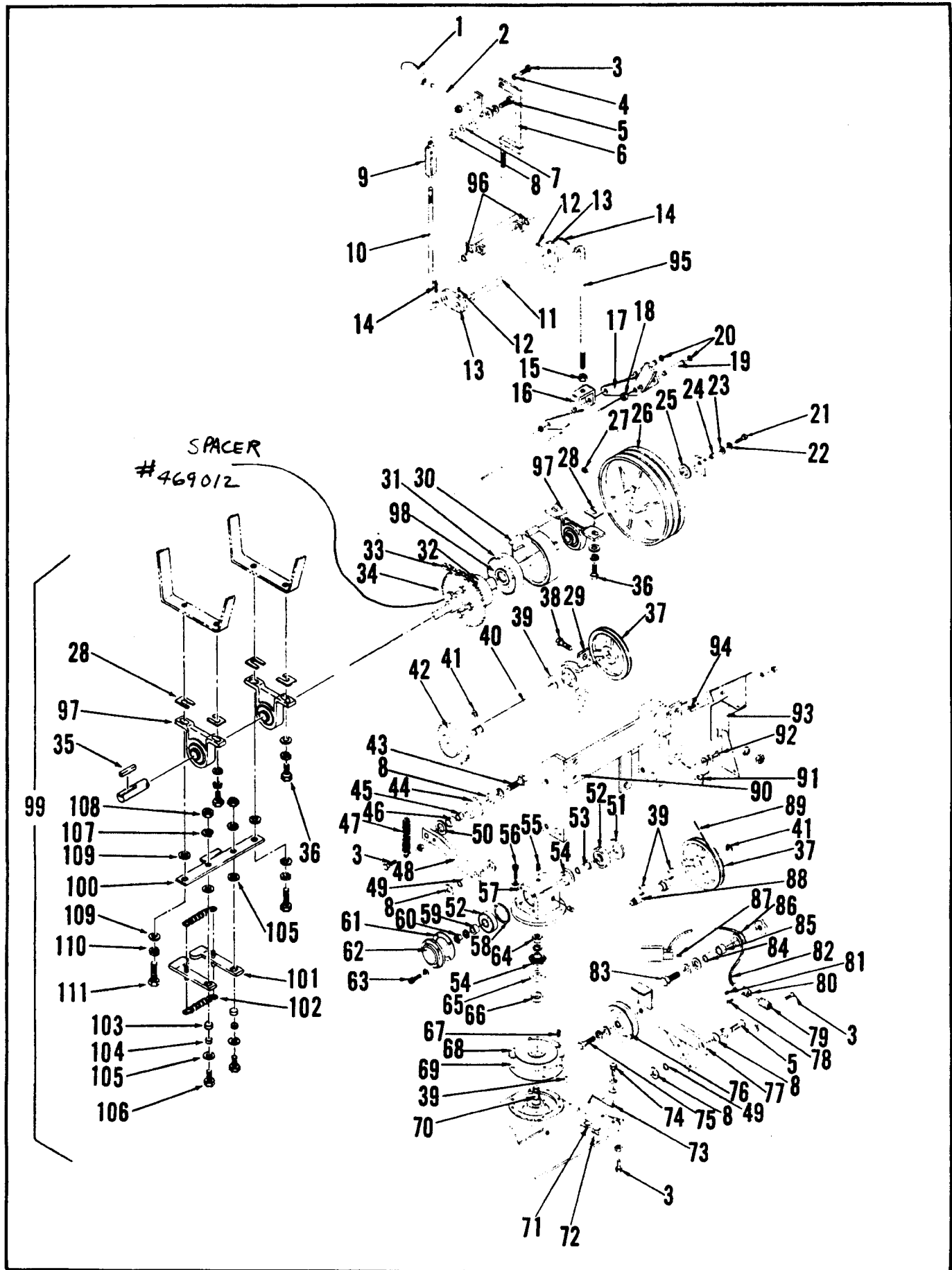
CONTROL HANDLE ASSEMBLY

| ITEM | PART NO | QTY | DESCRIPTION | ITEM | PART NO | QTY | DESCRIPTION |
|------|-------------------|-----|---|------|---------|-----|---|
| 1 | 514 085 | 2 | GRIP, HANDLE | 71 | 365 086 | 1 | PAD, RUBBER |
| 2 | 395 358 | 1 | HANDLE, TUBE | 72 | 365 087 | 1 | CUP, PEDAL |
| 3 | 395 364 | 1 | TAB, SPRING MOUNTING | 73 | 365 030 | 1 | BUSHING |
| 4 | 328 790 | 2 | SPRING | 74 | 378 590 | 2 | ARM |
| 5 | | 1 | SCREW, HEX HD. #8-32 x 1/2 | 75 | 101 737 | 3 | GREASE FITTING |
| 6 | | 1 | WASHER, LOCK #8 | 76 | 365 645 | 1 | BOLT, AXLE |
| 7 | 395 360 | 1 | BRACKET, SWITCH MOUNTING | 77 | 365 750 | 2 | WASHER |
| 8 | 171 225 | 2 | SWITCH, SNAP SPST N.C. | 78 | 365 726 | 2 | SEAL |
| 9 | | 4 | SCREW, PAN HD. #6-32 x 1" W/LKW & NUT | 79 | 365 734 | 1 | BUSHING, SLEEVE |
| 10 | | 5 | SCREW, RD. HD. #10-32 x 1" W/LKW | 80 | 365 718 | 1 | BEARING, ROLLER |
| 11 | 395 356 | 1 | PLATE, SWITCH MOUNTING | 81 | 365 661 | 1 | FORK, CASTER |
| 12 | 234079 | 1 | SCREW, HEX HD. 5/16-18 x 1" W/LKW | 82 | 365 629 | 1 | CASTER ASSEMBLY |
| 13 | 467 410 | 2 | LIGHT, INDICATOR | | 365 742 | 1 | WHEEL W/HARDWARE |
| 14 | 395 462 | 1 | CONNECTOR ASSEMBLY, DUAL | 83 | | 4 | SCREW, HEX HD. 3/8-16 x 1" WITH LOCKWASHER, WASHER & NUT |
| 15 | | 2 | SCREW, RD. HD. 1/4-20 x 1 1/4 W/WHIZ NUT | | | | |
| 16 | 016 602 | 1 | DECAL, CONTROL | | | | |
| 17 | 380 330 | 1 | METER, VOLT | | | | |
| 18 | 023 330 | 1 | DECAL, MAIN SWITCH | | | | |
| 19 | 441 538 | 1 | SWITCH, KEY SPST | | | | |
| 20 | 055 672 | 1 | DECAL, CHARGER | | | | |
| 21 | 395 334 | 1 | PANEL, CONTROL | | | | |
| 22 | 157 880 | 2 | PIN, SPRING | | | | |
| 23 | 379 298 | 2 | BUSHING | 90 | 379 786 | 1 | ARM |
| 24 | 364 506 | 2 | HANDLE | 91 | 372 110 | 1 | SPACER |
| 25 | | 2 | SCREW, HEX HD. 1/4-20 x 3/4 W/LKW & FLAT WASH. | 92 | 395 310 | 1 | HANDLE (STD. "B" MODEL ONLY) |
| 26 | 025 498 | 1 | NAME PLATE | | 395 305 | 1 | HANDLE (DRIVE MODEL) |
| 27 | 379 874 | 1 | PANEL | 93 | 378 461 | 1 | ROD |
| 28 | 054 195 | 1 | DECAL, BRUSH PRESSURE | 94 | | 2 | SCREW, HEX HD. 3/8-16 x 1 3/8 W/LKW |
| 29 | 055 675 | 1 | DECAL, PRESSURE | 95 | 366 625 | 2 | BUSHING, SHOULDER |
| 30 | 300 152 | 1 | CLAMP, CORD | 96 | 366 609 | 1 | YOKE, LEFT HAND |
| 31 | | 1 | SCREW, PAN HD. #10-24 x 1/4 | 97 | 055 676 | 1 | DECAL, BRAKE (DRIVE MODFL ONLY) |
| 32 | | 2 | SCRFW, PAN HD. #10-24 x 1" W/LKW | 98 | 055 673 | 1 | DECAL, BRAKE (DRIVE MODEL ONLY) |
| 33 | 390 778 | 4 | GUIDE, CABLE | 99 | 405 967 | 1 | LEVER |
| 34 | 159 749 | 4 | PULLEY, CABLE | 100 | 405 949 | 1 | LEVER, INNER VALVE |
| 35 | 015 778 | 1 | DECAL, WATER FLOW | 101 | 015 194 | 1 | DECAL, WARNING |
| 36 | | 1 | SCREW, HEX HD. 1/4-20 x 3/4 W/LKW & NUT | 102 | | 8 | SCREW, PAN HD. SELF-TAP #6-32 x 1/2 |
| 37 | 151 114 | 2 | WASHER | 103 | 372 129 | 1 | SPRING |
| 38 | 368 997 | 1 | BUSHING | 104 | 398 056 | 1 | WASHER, SPRING |
| 39 | 151 068 | 1 | WASHER, FIBER | 105 | 380 648 | 1 | Spacer |
| 40 | 151 041 | 1 | WASHER, BOWED | | | | |
| 41 | 015 576 | 1 | DECAL, HANDLE RELEASE | | | | |
| 42 | 364 502 | 1 | LATCH, HANDLE | | | | |
| 43 | 405 907 | 1 | LEVER, WATER FLOW | | | | |
| 44 | | 1 | SCREW, HEX HD. 1/2-13 x 1 1/4 W/LKW & NUT | | | | |
| 45 | 360 627 | 1 | BUSHING | | | | |
| 46 | 370 878 | 1 | BEARING, SLEEVE | | | | |
| 47 | 367 184 | 1 | WASHER, THRUST | | | | |
| 48 | | 1 | PIN, SPRING 1/8 x 7/8 | | | | |
| 49 | 405 913 | 1 | KNOB, SOLUTION | | | | |
| 50 | 025 432 | 1 | DECAL, FLOW CONTROL | | | | |
| 51 | 405 911 | 1 | SPRING | | | | |
| 52 | 405 909 | 1 | SCREW, STUD | | | | |
| 53 | | 4 | SCREW, HEX HD. 1/2-13 x 1 1/4 W/LKW | | | | |
| 54 | 367 214 | 11 | WASHER | | | | |
| 55 | 367 206 | 11 | BUSHING | | | | |
| 56 | 367 192 | 4 | WASHER | | | | |
| 57 | 367 168 | 4 | BEARING | | | | |
| 58 | 368 989 | 1 | BUSHING | | | | |
| 59 | 150 142 | 3 | WASHER | | | | |
| 60 | | 3 | SCREW, HEX HD. 1/4-20 x 1/2 W/SPRING WASH. | | | | |
| 61 | 365 089 | 2 | BUSHING | | | | |
| 62 | 365 088 | 2 | BUSHING | | | | |
| 63 | 366 617 | 1 | YOKE, RIGHT HAND | | | | |
| 64 | | 4 | NUT, HEX 1/2-13 | | | | |
| 65 | | 3 | SCREW, HEX HD. 1/2-13 x 1 3/4 W/LKW & NUT | | | | |
| 66 | 380 255 | 1 | FOOT GUARD | | | | |
| 67 | 379 795 | 1 | PEDAL | | | | |
| 68 | 016 281 | 1 | DECAL, BRUSH | | | | |
| 69 | | 2 | SCREW, FLAT HD. 1/4-20 x 1" | | | | |
| 70 | 365 081 | 1 | PLATE | | | | |



GEAR CASE ASSEMBLY

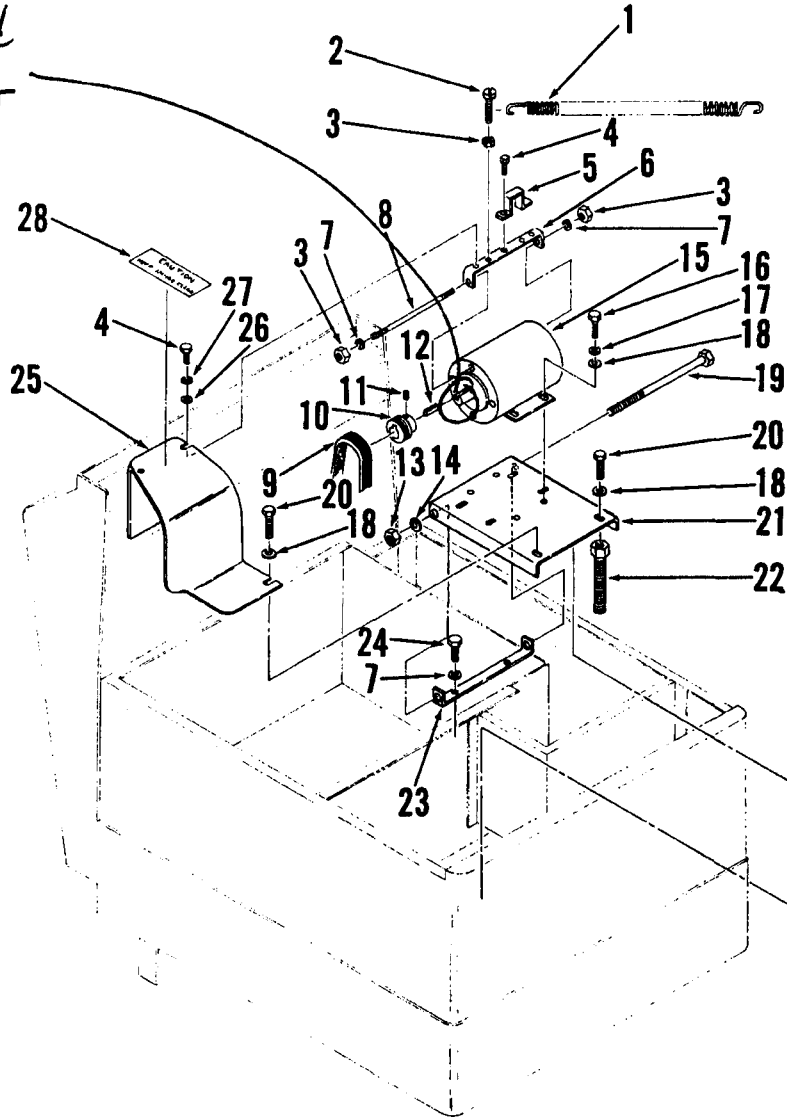
| Item | Part No. | Qty | Description | Item | Part No. | Qty | Description |
|------|----------|------|---------------------------------|------|----------|-----|-------------------------------------|
| 1 | 366285 | 24 | Screw (20 on Drive Model) | 35 | | 2 | Screw, Hex Hd. 3/8-16 x 2-3/4 w/nut |
| 2 | | 24 | Lockwasher, 1/4 | | | | |
| 3 | | 8 | Screw, Hex Hd. 1/2-13 x 1-1/4 | 36 | 171177 | 4 | Spring, Stabilizer |
| 4 | 367214 | 10 | Washer | 37 | 440760 | 4 | Washer, Stabilizer |
| 5 | 367206 | 10 | Bushing | 38 | 367184 | 4 | Washer, Thrust |
| 6 | 367168 | 10 | Bearing | 39 | | 1 | Nut, Flex-Loc 1/2-13 |
| 7 | 367192 | 10 | Spacer | 40 | | 6 | Washer, Wrought |
| 8 | 402249 | 4 | Arm, Gear Box | 41 | 378429 | 2 | Spacer, Pressure Arm |
| 9 | 402346 | 1 | Bracket, Gear Box | 42 | 378399 | 2 | Ring, Retaining |
| 10 | 441236 | 4 | Locknut | 43 | 378690 | 2 | Holder, Brush |
| 11 | 114545 | 3 | Bushing, Rubber | 44 | 151114 | 2 | Washer |
| 12 | 366633 | 1 | Bearing | 45 | 366463 | 2 | Spring, Retaining |
| 13 | 378410 | 1 | Lever, Pressure Arm | 46 | 378348 | 2 | Nut, Flex-Loc |
| 14 | | 4 | Screw, Hex Hd. 3/8-16 x 1 | 47 | 366455 | 2 | Stop, Brush Holder |
| 15 | 366269 | 1 | Plug, Vent | 48 | | 6 | Screw, Pan Hd. 10-24 x 5/16 |
| 16 | 378186 | 1 | Cap, Top | 49 | 378445 | 1 | Bolt, Tie |
| 17 | 366684 | A.R. | Shim, Red .002" Thick | 50 | 378380 | 4 | Bearing, Ball |
| | 366692 | A.R. | Shim, Blue .005" Thick | 51 | 378372 | 2 | Spacer, Bearing |
| | 366706 | A.R. | Shim, Pink .015" Thick | 52 | 378437 | 2 | Bracket, Stabilizer |
| 18 | 379735 | 1 | Sheave, Wormshaft | 53 | 369144 | 2 | Pipe, Water Feed |
| 19 | | 2 | Screw, Socket Set 5/16-18 x 3/8 | 54 | | 2 | Washer, Shakeproof 1/4 |
| 20 | 378704 | 3 | Key | 55 | 369128 | 2 | Fitting, Grease |
| 21 | 400971 | 1 | Wormshaft | 56 | 378291 | 6 | Key |
| 22 | 378275 | 6 | Seal, Grease | 58 | 378240 | 2 | Spacer, Shaft |
| 23 | 378135 | 1 | Cap, Front | 59 | 378283 | 2 | Ring, Retaining |
| 24 | 378488 | A.R. | Shim, Red .002" Thick | 60 | 366277 | 2 | Plug, Drain |
| | 378496 | A.R. | Shim, Blue .005" Thick | 61 | 401021 | 1 | Gear Case Assy, Drive TSB 615, G-1 |
| | 378518 | A.R. | Shim, Pink .015" Thick | | 400963 | 1 | Gear Case |
| 25 | 378259 | 6 | Cup, Bearing | 62 | 378232 | 2 | Shaft, Worm Gear (1 on Drive Model) |
| 26 | 378267 | 6 | Bearing, Roller | | | | |
| 27 | 378216 | 2 | Cap, Bottom | 63 | 378224 | 2 | Gear, Worm |
| 28 | | 4 | Screw, Socket Set 3/8-16 x 1/2 | 64 | 378194 | 1 | Cap, Top |
| 29 | 378313 | 4 | Universal, Spider | 65 | 378151 | 1 | Cap, Rear |
| 30 | | 24 | Washer, 3/8 S.A.E. | 66 | 395284 | 2 | Spacer |
| 31 | 366447 | 12 | Screw | 67 | | 2 | Screw, Hex Hd 1/2-13 x 3 |
| 32 | 366404 | 2 | Ball, 5/8 | | | | |
| 33 | 378321 | 2 | Shaft, Brush Holder | | | | |
| 34 | 401323 | 2 | Pressure Arm Assembly | | | | |
| | 401226 | 2 | Pressure Arm | | | | |



TRACTION DRIVE ASSEMBLY

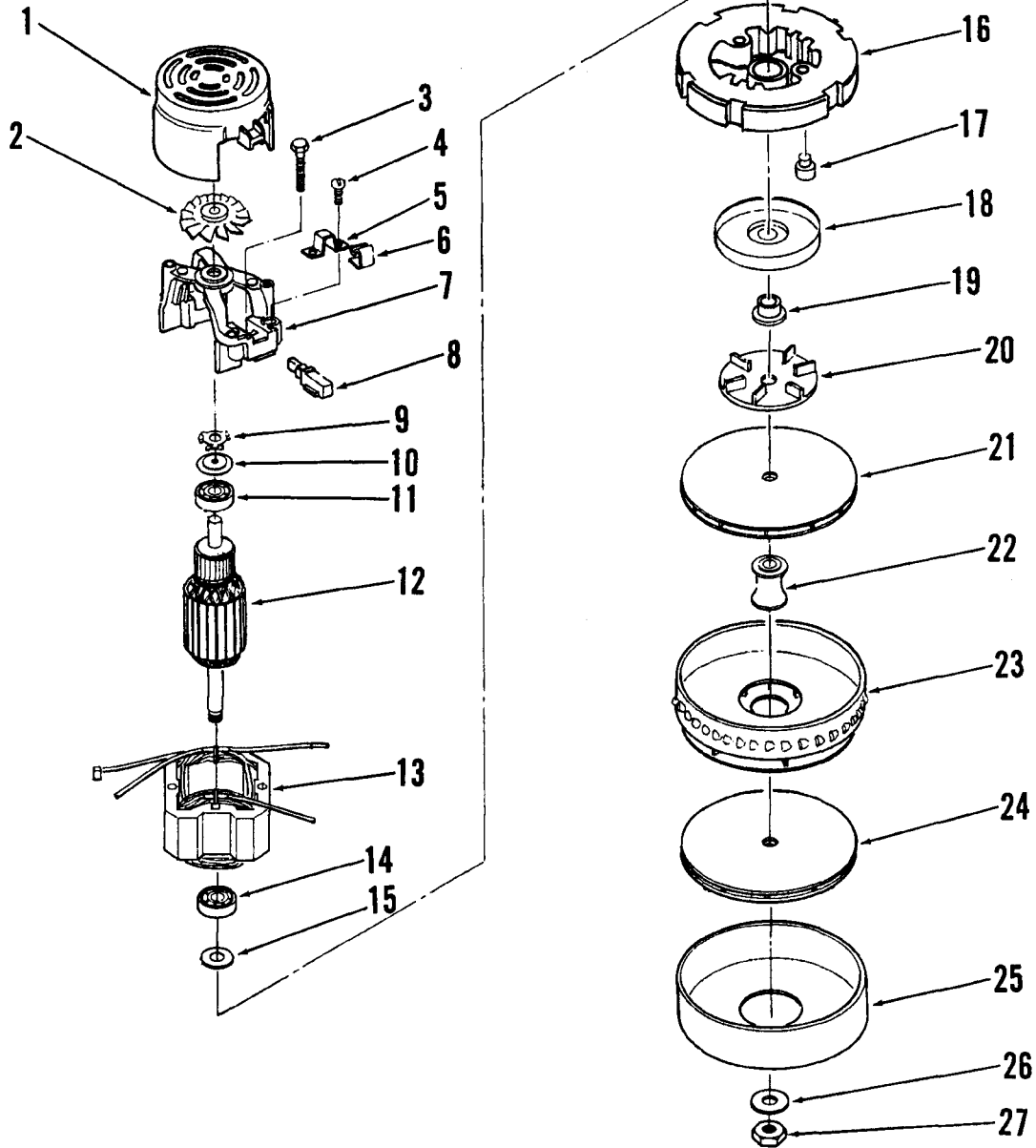
| ITEM | PART NO | QTY | DESCRIPTION | ITEM | PART NO | QTY | DESCRIPTION |
|------|---------|------|---|------|---------|-----|--|
| 1 | 364 527 | 1 | KNOB | 70 | 444 650 | 1 | SHAFT, WORM GEAR |
| 2 | 402 844 | 1 | HANDLE, BRAKE | 71 | | 2 | SCREW, HEX HD. 3/8-16 x 1 3/8 W/ LKW. |
| 3 | | 5 | SCREW, HEX HD. 1/4-20 x 3/4 W/NUT | 72 | 390 704 | 1 | BLOCK, MOUNTING |
| 4 | 368 997 | 1 | BUSHING | 73 | 390 828 | 1 | GUIDE, BELT FRONT |
| 5 | | 1 | SCREW, HEX HD. 1/2-13 x 1 W/LKW. | 74 | | 2 | SCREW, HEX HD. 1/4-20 x 1/2 W/WASHER & LKW. |
| 6 | 402 935 | 1 | LINKAGE, BRAKE | 75 | | 1 | SCREW, HEX HD. 3/8-16 x 1 3/8 W/WASHER & LKW. |
| 7 | 365 030 | 1 | BUSHING | | | | |
| 8 | 367 214 | 7 | WASHER | 76 | 390 682 | 1 | SHEAVE, FLAT |
| 9 | 206 814 | 1 | TURNBUCKLE | 77 | 390 720 | 1 | ARM, BELT TIGHTENER |
| 10 | 402 914 | 1 | ROD, UPPER | 78 | | 1 | SCREW, OVAL HD. 6-32 x 1/2 |
| 11 | 402 919 | 1 | ROD, BRAKE | 79 | 112 054 | 1 | SPRING |
| 12 | | 2 | SCREW, SOCKET SET 1/4-20 x 1/4 | 80 | 150 290 | 1 | COUPLER, CABLE |
| 13 | 402 922 | 2 | PLATE | 81 | | 1 | SCREW, SOCKET SET 8-32 x 1/4 |
| 14 | | 2 | PIN, COTTER 1/16 x 3/8 | 82 | 390 766 | 1 | CABLE |
| 15 | | 1 | NUT, JAM 1/4-20 | 83 | | 1 | SCREW, HEX HD. 7/16-14 x 1 W/WASHER & LKW. |
| 16 | 402 971 | 1 | BRACKET | 84 | 159 794 | 1 | BUSHING |
| 17 | 402 990 | 2 | ARM | 85 | 159 778 | 1 | BEARING |
| 18 | 328 022 | 2 | BUSHING | 86 | 159 743 | 1 | PULLEY |
| 19 | 402 995 | 3 | PIN | 87 | | 1 | SCREW, SOCKET SET 1/4-20 x 3/8 |
| 20 | 321 427 | 6 | RING, SNAP | 88 | 391 042 | 1 | SHAFT, MITER GEAR |
| 21 | 440 329 | 2 | SCREW | 89 | 390 607 | 1 | BELT, DRIVE <i>T S B 514, G-4</i> |
| 22 | | 2 | LOCKWASHER, 1/4 | 90 | 390 275 | 1 | BRACKET, GEAR BOX 32" |
| 23 | | 2 | WASHER, 1/4 | | 402 346 | 1 | BRACKET, GEAR BOX 38" |
| 24 | 368 989 | 2 | BUSHING | 91 | 390 887 | 1 | GUIDE, BELT BOTTOM |
| 25 | 367 192 | 2 | WASHER | 92 | | 1 | SCREW, PAN HD. 1/4-20 x 1/2 W/WASHER & LKW. |
| 26 | 395 233 | 2 | WHEEL, 8.00 x 2.50 | 93 | 390 623 | 1 | GUIDE, BELT |
| 27 | | 4 | SCREW, SOCKET SET 5/16-18 x 5/8 | 94 | | 2 | SCREW, PAN HD. 10-24 x 1/2 W/LKW. & NUT |
| 28 | 390 925 | A.R. | SHIM, PILLOW BLOCK | 95 | 402 910 | 1 | ROD, LOWER |
| 29 | 390 917 | 2 | PILLOW BLOCK | 96 | 370 754 | 2 | BEARING, SHEAVE |
| 30 | 402 745 | 1 | STRAP, BRAKE | 97 | 444 308 | 4 | PILLOW BLOCK |
| 31 | 469 026 | 1 | DRUM, BRAKE | 98 | 469 012 | 1 | SPACER, BRAKE |
| 32 | 395 250 | 1 | DIFFERENTIAL | 99 | 395 536 | 1 | SOUEEGEE CENTERING ASSEMBLY |
| 33 | 403 172 | 1 | CHAIN, ROLLER | 100 | 395 510 | 1 | BAR WELDMENT |
| | 445 096 | 1 | LINK, CONNECTOR (For Replacement) | 101 | 395 516 | 2 | ARM WELDMENT |
| 34 | 395 252 | 1 | SPROCKET, DIFFERENTIAL | 102 | 395 530 | 2 | SPRING, EXT. |
| 35 | 340 863 | 2 | KEY | 103 | 368 970 | 2 | BEARING, OILITE |
| 36 | | 6 | SCREW, HEX HD. 3/8-16 x 3/4 W/LKW. & WASHER | 104 | 453 849 | 2 | BUSHING |
| 37 | 344 044 | 2 | PULLEY, GEAR BOX | 105 | 150 142 | 4 | WASHER |
| 38 | | 4 | SCREW, HEX HD. 3/8-16 x 1 W/LKW. & NUT | 106 | | 2 | SCREW, HEX HD. 1/4-20 x 1 |
| 39 | 154 083 | 5 | KEY, WOODRUFF | 107 | | 2 | LOCKWASHER, 1/4 |
| 40 | 391 123 | 1 | SHAFT, 32" | 108 | | 2 | NUT, HEX 1/4-20 |
| | 403 199 | 1 | SHAFT, 38" | 109 | | 4 | WASHER, FLAT 3/8 |
| 41 | 478 775 | 3 | RING, RETAINING | 110 | | 2 | LOCKWASHER, 3/8 |
| 42 | 391 182 | 1 | SPROCKET | 111 | | 2 | BOLT, HEX 3/8-16 x 3/4 |
| 43 | | 1 | SCREW, HEX HD. 1/2-13 x 1 3/4 W/LKW. | | | | |
| 44 | 390 992 | 1 | SPROCKET, IDLER | | | | |
| 45 | 367 206 | 1 | BUSHING | | | | |
| 46 | 367 168 | 1 | BEARING | | | | |
| 47 | 370 746 | 1 | SPRING | | | | |
| 48 | 390 933 | 1 | ARM, IDLER SPROCKET | | | | |
| 49 | 360 627 | 2 | BUSHING | | | | |
| 50 | 367 184 | 1 | WASHER, THRUST | | | | |
| 51 | 444 723 | 1 | SEAL, GREASE | | | | |
| 52 | 108 537 | 2 | BEARING, BALL | | | | |
| 53 | 444 707 | 1 | SPACER, SLEEVE | | | | |
| 54 | 109 088 | 2 | GEAR, BEVEL | | | | |
| 55 | 366 269 | 2 | PLUG, VENT | | | | |
| 56 | | 4 | SCREW, SOCKET HD. 1/4-20 x 1 W/LKW. | | | | |
| 57 | 444 634 | 1 | HOUSING, GEAR BOX | | | | |
| 58 | 444 731 | 1 | RING, RETAINING | | | | |
| 59 | 444 677 | 1 | SPACER | | | | |
| 60 | | 1 | NUT, HEX JAM 9/16-18 W/SHAKEPROOF LKW. | | | | |
| 61 | 366 730 | 1 | SHIM, PINK .015" Thick | | | | |
| 62 | 444 715 | 1 | CAP, END | | | | |
| 63 | | 4 | SCREW, SOCKET HD. 1/4-20 x 5/8 W/SHAKEPROOF LKW. | | | | |
| 64 | | 1 | NUT, HEX JAM 1/2-20 W/SHAKEPROOF LKW. | | | | |
| 65 | 444 839 | 1 | SHIM, WASHER | | | | |
| 66 | 378 275 | 1 | SEAL, GREASE | | | | |
| 67 | | 2 | SCREW, BUTTON HD. SOCKET CAP 1/4-20 x 1/2 | | | | |
| 68 | 444 693 | 1 | CAP, BOTTOM | | | | |
| 69 | 366 684 | A.R. | SHIM, RED .002" Thick | | | | |
| | 366 692 | A.R. | SHIM, BLUE .005" Thick | | | | |
| | 366 706 | A.R. | SHIM, PINK .015" Thick | | | | |

7/8" ϕ
SHAFT



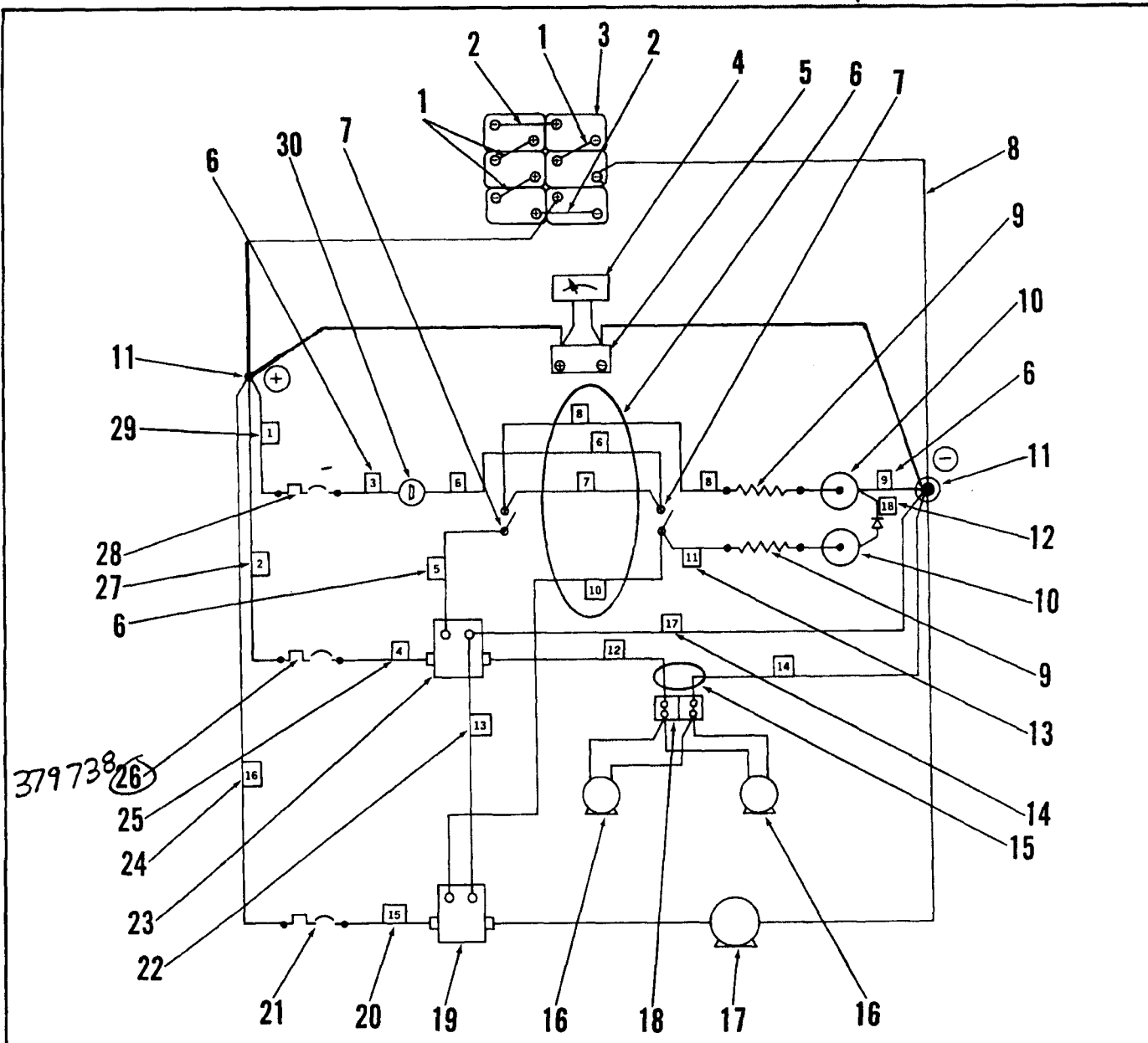
MOTOR
BRUSHES
448729
BRUSH
SPRINGS
454492

| ITEM | PART NO | QTY | DESCRIPTION | ITEM | PART NO | QTY | DESCRIPTION |
|------|---------|-----|-------------------------------------|------|---------|-----|-----------------------------|
| 1 | 371 114 | 1 | SPRING | 22 | 378 631 | 2 | SCREW, ADJUSTING |
| 2 | | 1 | SCREW, RD. HD. 1/4-20 x 1 1/2 | 23 | 395 286 | 1 | PLATE, MOUNTING |
| 3 | | 3 | NUT, HEX 1/4-20 | 24 | | 2 | SCREW, HEX HD. 1/4-20 x 3/4 |
| 4 | | 3 | SCREW, HEX HD. 1/4-20 x 1/4 | 25 | 395 194 | 2 | GUARD, BELT |
| 5 | 379 813 | 1 | BRACKET | 26 | | 1 | WASHER, FLAT 1/4 |
| 6 | 372 235 | 1 | BRACKET, MOTOR | 27 | | 1 | WASHER, SHAKEPROOF 1/4 |
| 7 | | 4 | WASHER, LOCK 1/4 | 28 | 030 080 | 1 | DECAL, "KEEP HANDS CLEAR" |
| 8 | 379 811 | 1 | STUD | | | | |
| 9 | 378 853 | 1 | BELT, POLY-V 32" | | | | |
| | 378 852 | 1 | BELT, POLY-V 38" | | | | |
| 10 | 379 730 | 1 | SHEAVE 32" | | | | |
| | 379 736 | 1 | SHEAVE 38" TSB 372, G-12 | | | | |
| 11 | | 2 | SCREW, SOC. SET 5/16-18 x 3/8 | | | | |
| 12 | 378 704 | 1 | KEY, SQUARE | | | | |
| 13 | | 1 | NUT, HEX 3/8-16 | | | | |
| 14 | | 1 | WASHER, LOCK 3/8 | | | | |
| 15 | 454 454 | 1 | MOTOR, 36V, 2.25HP | | | | |
| 16 | | 4 | SCREW, HEX HD. 5/16-18 x 3/4 W/NUT | | | | |
| 17 | | 4 | WASHER, LOCK 5/16 | | | | |
| 18 | | 4 | WASHER, FLAT 5/16 | | | | |
| 19 | 378 692 | 1 | BOLT | | | | |
| 20 | | 2 | SCREW, HEX HD. 5/16-18 x 5/8 W/LKW. | | | | |
| 21 | 378 666 | 1 | BRACKET, MOTOR MOUNTING | | | | |



| ITEM | PART NO | QTY | DESCRIPTION | ITEM | PART NO | QTY | DESCRIPTION |
|------|---------|-----|-------------------------|------|---------|-----|-----------------|
| 1 | 208 110 | 1 | HOUSING | 22 | 203 516 | 1 | SPACER |
| 2 | 203 591 | 1 | FAN | 23 | 203 394 | 1 | FAN, STATIONARY |
| 3 | 372 574 | 2 | SCREW | 24 | 372 588 | 1 | FAN, ROTATING |
| 4 | 372 570 | 4 | SCREW | 25 | 203 408 | 1 | SHELL |
| 5 | 207 285 | 2 | CLAMP | 26 | 203 432 | 1 | WASHER |
| 6 | 202 302 | 2 | CLIP | 27 | 203 440 | 1 | NUT |
| 7 | 207 234 | 1 | BRACKET, COMMUTATOR END | | | | |
| 8 | 372 572 | 2 | BRUSH | | | | |
| 9 | 202 843 | 1 | SPRING, LOAD | | | | |
| 10 | 249 735 | 1 | DISC | | | | |
| 11 | 203 587 | 1 | BEARING | | | | |
| 12 | 372 576 | 1 | ARMATURE | | | | |
| 13 | 208 248 | 1 | FIELD | | | | |
| 14 | 228 051 | 1 | BEARING | | | | |
| 15 | 203 461 | 1 | WASHER | | | | |
| 16 | 372 578 | 1 | BRACKET, FAN END | | | | |
| 17 | 372 580 | 1 | VALVE, CHECK | | | | |
| 18 | 372 582 | 1 | SHELL, AIR SEAL | | | | |
| 19 | 372 584 | 1 | SPACER | | | | |
| 20 | 372 586 | 1 | FAN | | | | |
| 21 | 372 588 | 1 | FAN, ROTATING | | | | |

VACUUM MOTOR ASSEMBLY



| ITEM | PART NO | QTY | DESCRIPTION | ITEM | PART NO | QTY | DESCRIPTION |
|------|---------|-----|------------------------------------|------|---------|-----|--|
| 1 | 363 928 | 3 | CABLE ASSEMBLY, BATTERY 4 x 10 | 24 | 395 420 | 1 | CABLE ASSEMBLY #6 x 6.0 |
| 2 | 363 936 | 2 | CABLE ASSEMBLY, BATTERY 4 x 15 | 25 | 395 418 | 1 | WIRE ASSEMBLY #14 x 7.0 |
| 3 | 372 730 | 1 | BATTERY, 6 VOLT 220 A.H.(OPTIONAL) | 26 | 395 454 | 1 | CIRCUIT BREAKER 20 AMP 30 AMP |
| 4 | 380 330 | 1 | VOLT METER, D.C. 30-45 | 27 | 395 416 | 1 | WIRE ASSEMBLY #14 x 7.0 |
| 5 | 395 462 | 1 | PLUG ASSEMBLY, CHARGER - DUAL | 28 | 454 538 | 1 | CIRCUIT BREAKER 15 AMP |
| 6 | 395 442 | 1 | WIRE HARNESS | 29 | 395 414 | 1 | WIRE ASSEMBLY #14 x 7.0 |
| 7 | 171 225 | 2 | SWITCH, SNAP SPST N.C. | 30 | 414 538 | 1 | KEY SWITCH |
| 8 | 381 540 | 1 | CABLE ASSEMBLY, BATTERY 4 x 28 | 31 | 320 331 | 1 | WIRE WRAP - NOT SHOWN |
| 9 | 395 404 | 2 | RESISTOR ASSEMBLY | 32 | 398 090 | 1 | TERMINAL CLAMP, BATTERY - NOT SHOWN |
| 10 | 467 410 | 2 | LIGHT, INDICATOR | 33 | 442 011 | 2 | CLAMP, CABLE - NOT SHOWN Not Needed |
| 11 | 469 858 | 2 | STANDOFF | 34 | 372 673 | 12 | BOOT, BATTERY POST - NOT SHOWN |
| 12 | 395 426 | 1 | WIRE RECTIFIER ASSEMBLY | | | | |
| 13 | 395 424 | 1 | WIRE ASSEMBLY #14 x 6.0 | | | | |
| 14 | 478 606 | 1 | WIRE ASSEMBLY #14 x 4.0 | | | | |
| 15 | 395 440 | 1 | WIRE ASSEMBLY | | | | |
| 16 | 202 321 | 2 | MOTOR, VAC 36 VOLT | | | | |
| 17 | 454 454 | 1 | MOTOR, DRIVE 36 VOLT 2.25 HP | | | | |
| 18 | 380 548 | 1 | TERMINAL BLOCK | | | | |
| 19 | 395 450 | 1 | CONTACTOR | | | | |
| 20 | 395 422 | 1 | CABLE ASSEMBLY #6 x 8.0 | | | | |
| 21 | 454 429 | 1 | CIRCUIT BREAKER 70 AMP | | | | |
| 22 | 395 412 | 1 | WIRE ASSEMBLY #14 x 4.0 | | | | |
| 23 | 395 452 | 1 | SOLENOID, 36 VOLT | | | | |