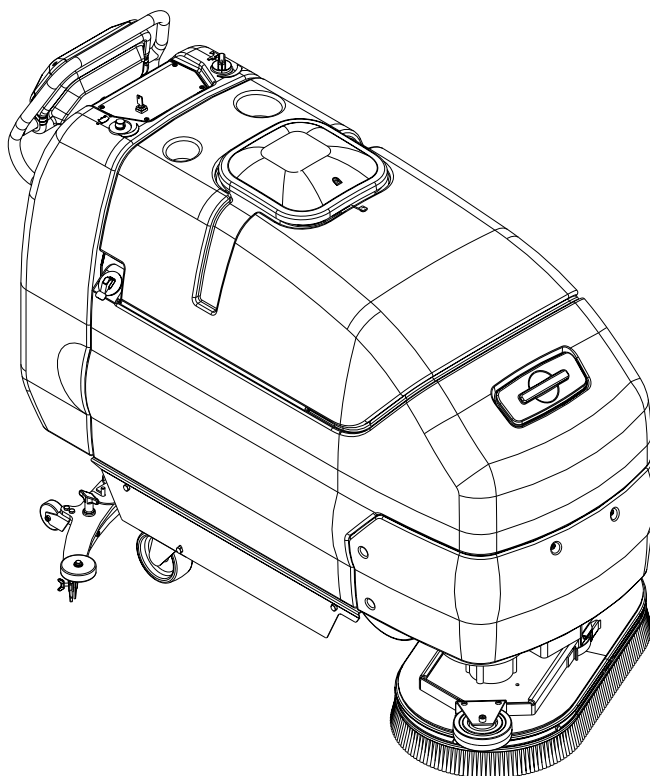


ConvertaMAX™ 28

I-MAX™ 28HD

BA 750 / BA 850



PARTS LIST

Advance MODELS 56396000, 56396001

Nilfisk MODELS 56396002, 56396003

All models covered in this manual are OBSOLETE.

ConvertaMAX 28 before SN1593241 / I-MAX 28HD before SN1593243

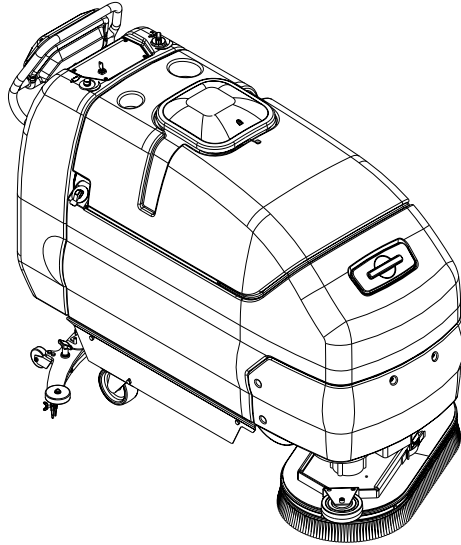
BA 750 before SN1594388 / BA 850 before SN1594392



**Nilfisk
Advance**

setting standards

1/00 revised 9/02 FORM NO. 56042382
BOOK E SECTION 5.9.1

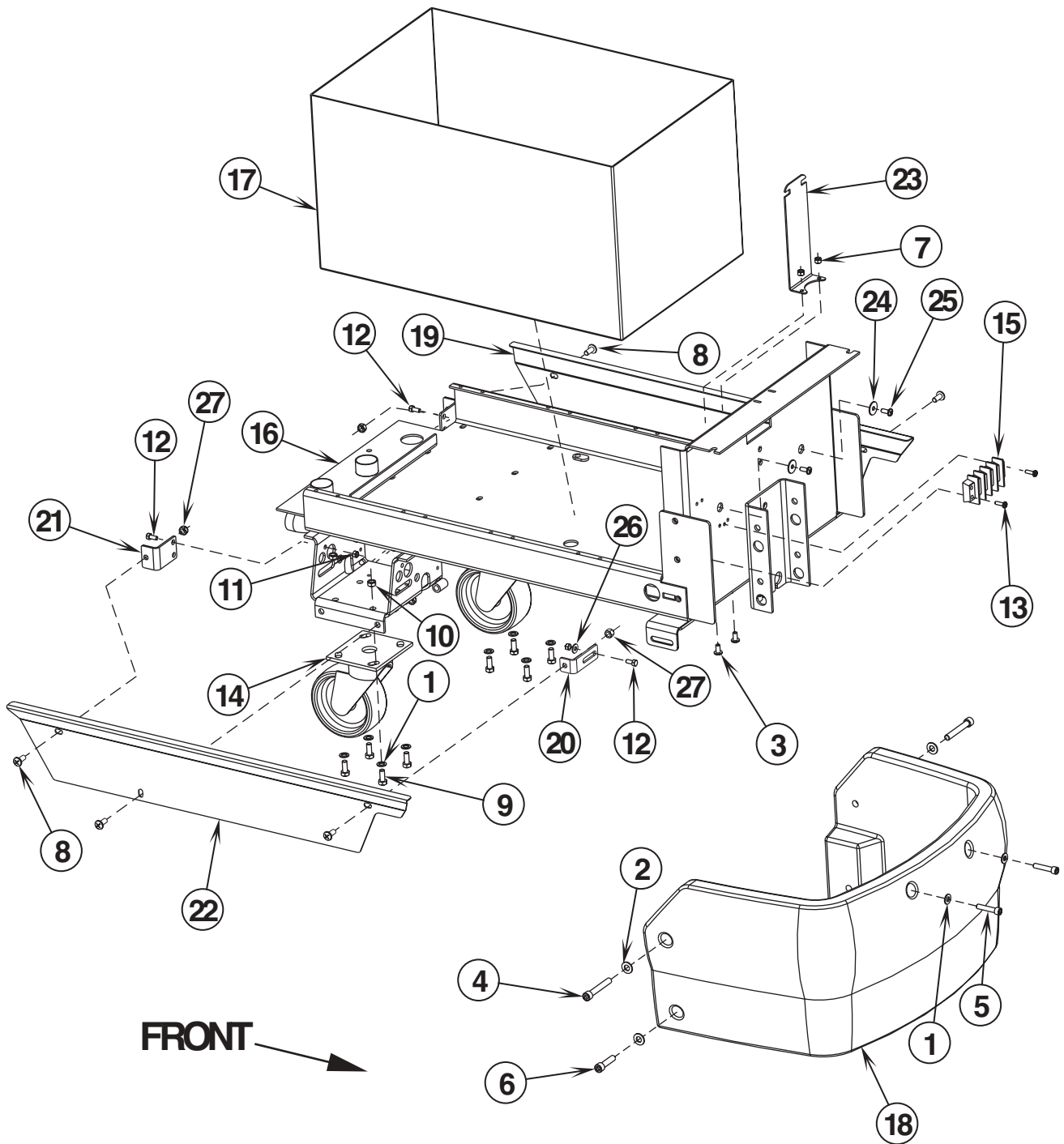


| DESCRIPTION | PLAN |
|-------------------------------------------------------------------------------------|------------|
| CONVERTAMAX™ 28 / BA 750 CHASSIS SYSTEM | E-5.9.1-3 |
| BA 850 CHASSIS SYSTEM | E-5.9.1-5 |
| I-MAX™ 28HD CHASSIS SYSTEM | E-5.9.1-7 |
| CONTROL HANDLE SYSTEM | E-5.9.1-9 |
| HANDLE PADDLE ASSEMBLY | E-5.9.1-11 |
| DRIVE WHEEL SYSTEM | E-5.9.1-13 |
| C-MAX 28 / I-MAX 28HD / BA 750 SCRUB SYSTEM | E-5.9.1-15 |
| BA 850 SCRUB SYSTEM | E-5.9.1-17 |
| SKIRT ASSEMBLIES (BA 750 / BA 850) | E-5.9.1-19 |
| SKIRT ASSY. (CONVERTAMAX 28 / I-MAX 28HD) | E-5.9.1-21 |
| SOLUTION SYSTEM | E-5.9.1-23 |
| RECOVERY SYSTEM | E-5.9.1-25 |
| SQUEEGEE SYS (all C-MAX 28, I-MAX 28HD, BA 750 / BA 850 before SN 1477842) | E-5.9.1-27 |
| SQUEEGEE SYSTEM (BA 850 after SN 1477841) | E-5.9.1-29 |
| SQUEEGEE ASSY (C-MAX 28 / I-MAX 28HD / BA 750) | E-5.9.1-31 |
| BA 850 SQUEEGEE ASSY (before SN 1477842) | E-5.9.1-33 |
| BA 850 SQUEEGEE ASSY (after SN 1477841) | E-5.9.1-35 |
| DECAL SYSTEM | E-5.9.1-37 |
| ELECTRICAL DIAGRAM | E-5.9.1-39 |
| BRUSH / DISC SELECTOR GUIDE | E-5.9.1-40 |

WHEN ORDERING PARTS

- * Use the 8 digit numbers from the "Ref. No." columns in this parts list.
- * Specify the model and serial number of the machine.
- * Use the space below to record the model and serial number for future reference.

Model _____ Serial No. _____

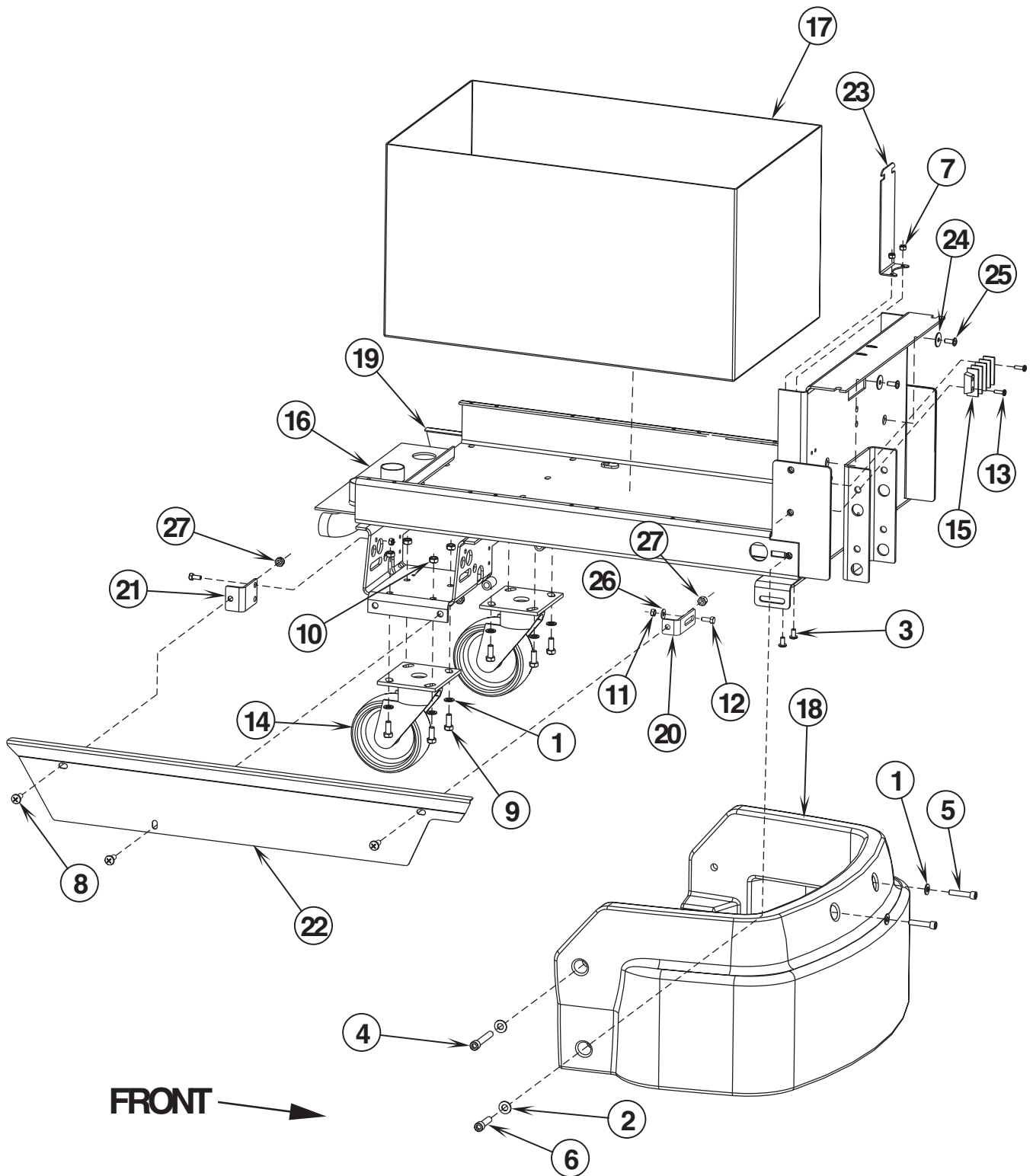


| | | | | |
|-------|------------------------------------------------------|---------------|--------------|----------|
| 00-1 | CONVERTAMAX 28 / BA 750 CHASSIS SYSTEM | BOOK E | | |
| 01-10 | ConvertaMAX 28 / I-MAX 28HD / BA 750 / BA 850 | E | 5.9.1 | 3 |

| Item | Ref. No. | Qty | Description |
|------|----------|-----|------------------------------------------------|
| 1 | 56001939 | 10 | Wsh, Flt SAE 5/16 |
| 2 | 56002063 | 4 | Wsh, Flt SAE 3/8 |
| 3 | 56002900 | 2 | Scr, Pan Phil SS 10-24 x .50 |
| 4 | 56002196 | 2 | Scr, Soc Hd 3/8-16 x 2.50 |
| 5 | 56002201 | 2 | Scr, Soc Hd 5/16-18 x 1.50 |
| 6 | 56002316 | 2 | Scr, Soc Hd 3/8-16 x 1.50 |
| 7 | 56002768 | 2 | Nut, Hex Nyl Loc 10-24 |
| 8 | 56002793 | 6 | Scr, Pan Phil 5/16-18 x .75 |
| 9 | 56003179 | 8 | Scr, Hex Thd To Hd M8-1.25 x 20mm |
| 10 | 56003389 | 8 | Nut, Hex Nyl Loc M8-1.25 |
| 11 | 56003403 | 4 | Nut, Hex Nyl Loc M6-1.00 |
| 12 | 56003174 | 4 | Scr, Hex Thd to Hd M6-1.00 x 16mm |
| 13 | 56009042 | 2 | Scr, Pan Phil Thd Form 10-24 x .62 |
| 14 | 56440450 | 2 | Caster, Swivel |
| ** | 56440451 | 2 | Caster, Swivel Neoprene |
| 15 | 56026111 | 1 | Term. Block, 4 Term. 50 Amp |
| * | 56397184 | 2 | Plate, Jumper |
| 16 | 56035277 | 1 | Weldment, Upper Chassis |
| 17 | 56056727 | 1 | Box, Battery Molded |
| 18 | 56396083 | 1 | Front Shroud |
| 19 | 56396115 | 1 | Panel, Left |
| 20 | 56396116 | 2 | Clip, Slotted |
| 21 | 56396117 | 2 | Clip |
| 22 | 56396118 | 1 | Panel, Right |
| 23 | 56396200 | 1 | Bracket, Vac Exhaust Hose |
| 24 | 56009002 | 2 | Wsh, Flt .266 x .906 x .060 |
| 25 | 56002066 | 2 | Scr, Pan Phil 1/4-20 x .62 |
| 26 | 56002098 | 2 | Wsh, Flt SAE 1/4 |
| 27 | 56002701 | 6 | Nut, Hex Nyl Loc 5/16-18 |
| * | 56397208 | 1 | Spacer, Battery (ConvertaMAX 28 only) |

* = Not Shown

** = Optional

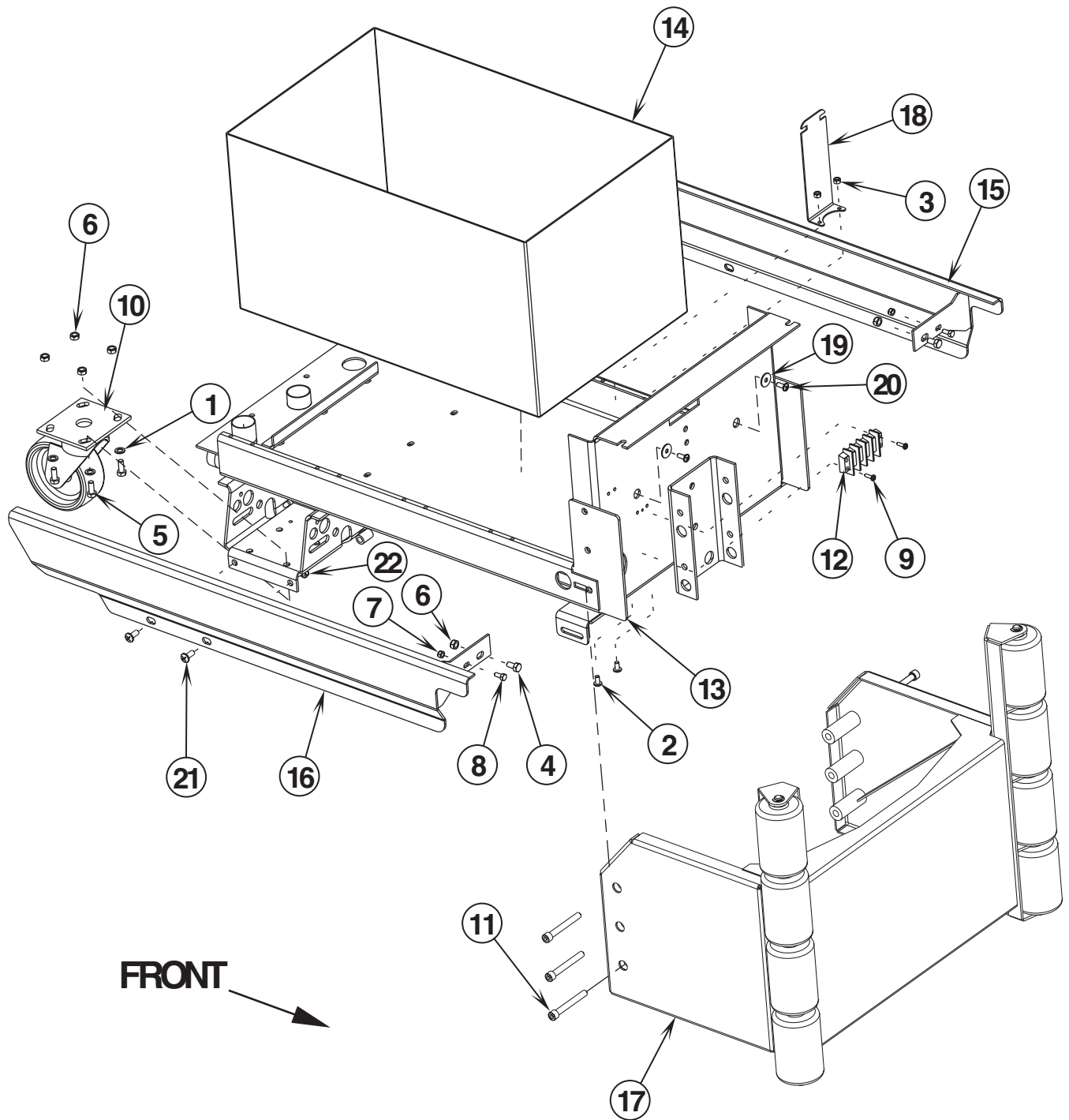


| | | | | |
|------|------------------------------------------------------|---------------|--------------|----------|
| 00-1 | BA 850 CHASSIS SYSTEM | BOOK E | | |
| 01-6 | ConvertaMAX 28 / I-MAX 28HD / BA 750 / BA 850 | E | 5.9.1 | 5 |

| Item | Ref. No. | Qty | Description |
|------|----------|-----|------------------------------------|
| 1 | 56001939 | 10 | Wsh, Flt SAE 5/16 |
| 2 | 56002063 | 4 | Wsh, Flt SAE 3/8 |
| 3 | 56002900 | 2 | Scr, Pan Phil SS 10-24 x .50 |
| 4 | 56002196 | 2 | Scr, Soc Hd 3/8-16 x 2.50 |
| 5 | 56002201 | 2 | Scr, Soc Hd 5/16-18 x 1.50 |
| 6 | 56002316 | 2 | Scr, Soc Hd 3/8-16 x 1.50 |
| 7 | 56002768 | 2 | Nut, Hex Nyl Loc 10-24 |
| 8 | 56002793 | 6 | Scr, Pan Phil 5/16-18 x .75 |
| 9 | 56003179 | 8 | Scr, Hex Thd To Hd M8-1.25 x 20mm |
| 10 | 56003389 | 8 | Nut, Hex Nyl Loc M8-1.25 |
| 11 | 56003403 | 4 | Nut, Hex Nyl Loc M6-1.00 |
| 12 | 56003174 | 4 | Scr, Hex Thd to Hd M6-1.00 x 16mm |
| 13 | 56009042 | 2 | Scr, Pan Phil Thd Form 10-24 x .62 |
| 14 | 56440450 | 2 | Caster, Swivel |
| ** | 56440451 | 2 | Caster, Swivel Neoprene |
| 15 | 56026111 | 1 | Term. Block, 4 Term. 50 Amp |
| * | 56397184 | 2 | Plate, Jumper |
| 16 | 56035277 | 1 | Weldment, Upper Chassis |
| 17 | 56056727 | 1 | Box, Battery Molded |
| 18 | 56396084 | 1 | Panel, Front |
| 19 | 56396115 | 1 | Panel, Left |
| 20 | 56396116 | 2 | Clip, Slotted |
| 21 | 56396117 | 2 | Clip |
| 22 | 56396118 | 1 | Panel, Right |
| 23 | 56396200 | 1 | Bracket, Vac Exhaust Hose |
| 24 | 56009002 | 2 | Wsh, Flt .266 x .906 x .060 |
| 25 | 56002066 | 2 | Scr, Pan Phil 1/4-20 x .62 |
| 26 | 56002098 | 2 | Wsh, Flt SAE 1/4 |
| 27 | 56002701 | 6 | Nut, Hex Nyl Loc 5/16-18 |

* = Not Shown

** = Optional

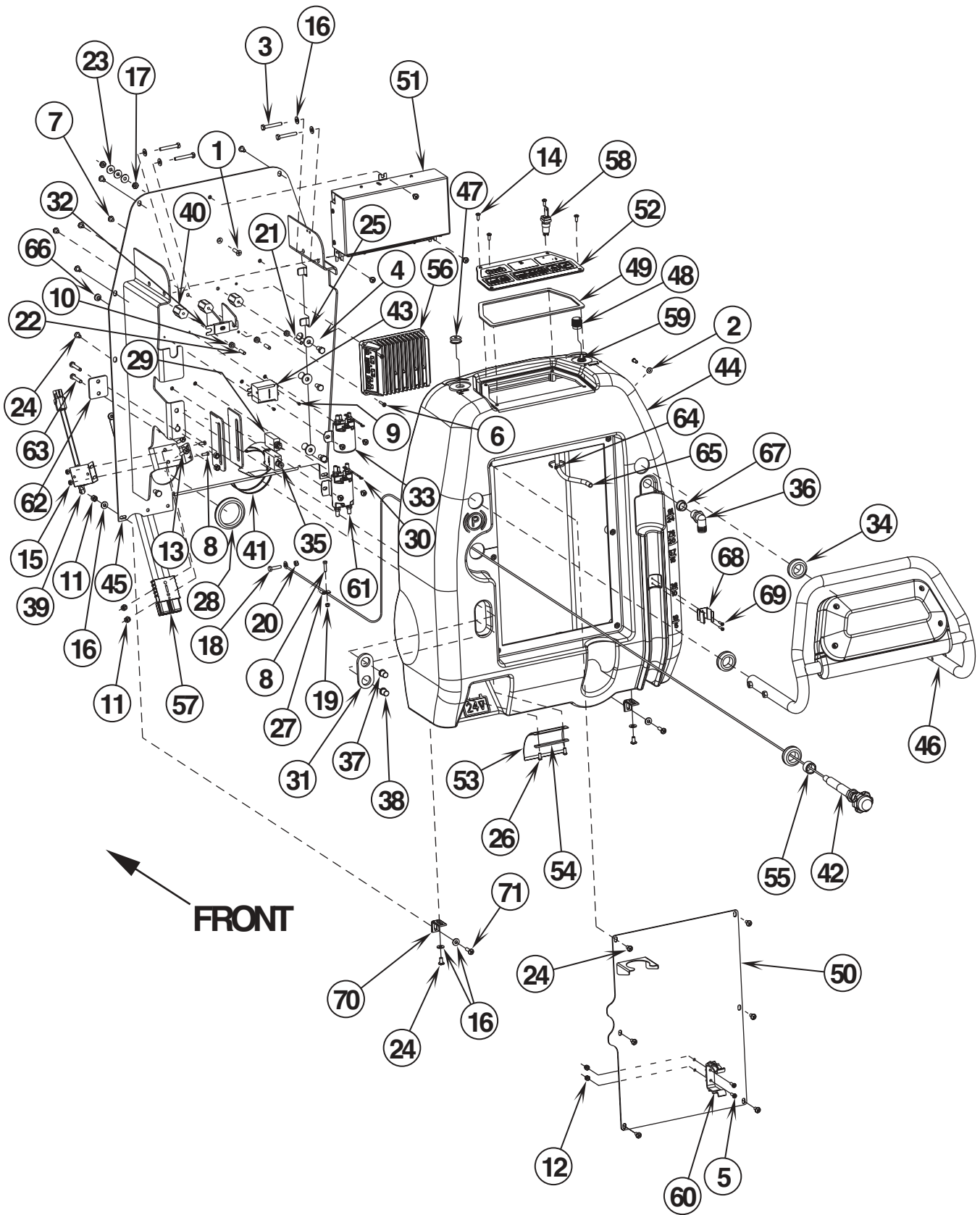


| | | | | |
|-------|------------------------------------------------------|---------------|--------------|----------|
| 00-1 | I-MAX™ 28HD CHASSIS SYSTEM | BOOK E | | |
| 01-10 | ConvertaMAX 28 / I-MAX 28HD / BA 750 / BA 850 | E | 5.9.1 | 7 |

| Item | Ref. No. | Qty | Description |
|------|----------|-----|------------------------------------|
| 1 | 56001939 | 8 | Wsh, Flt SAE 5/16 |
| 2 | 56002900 | 2 | Scr, Pan Phil SS 10-24 x .50 |
| 3 | 56002768 | 2 | Nut, Hex Nyl Loc 10-24 |
| 4 | 56003178 | 2 | Scr, Hex M8-1.25 x 16mm |
| 5 | 56003179 | 8 | Scr, Hex Thd To Hd M8-1.25 x 20mm |
| 6 | 56003389 | 10 | Nut, Hex Nyl Loc M8-1.25 |
| 7 | 56003403 | 2 | Nut, Hex Nyl Loc M6-1.00 |
| 8 | 56003174 | 2 | Scr, Hex Thd to Hd M6-1.00 x 16mm |
| 9 | 56009042 | 2 | Scr, Pan Phil Thd Form 10-24 x .62 |
| 10 | 56440450 | 2 | Caster, Swivel |
| ** | 56440451 | 2 | Caster, Swivel Neoprene |
| 11 | 56003542 | 6 | Scr, Soc Hd 3/8-16 x 3.00 |
| 12 | 56026111 | 1 | Term. Block, 4 Term. 50 Amp |
| * | 56397184 | 2 | Plate, Jumper |
| 13 | 56035277 | 1 | Weldment, Upper Chassis |
| 14 | 56056727 | 1 | Box, Battery Molded |
| 15 | 56396103 | 1 | Left Side Weldment |
| 16 | 56396104 | 1 | Right Side Weldment |
| 17 | 56396134 | 1 | Assembly, Bumper Industrial |
| * | 56003264 | 2 | Ring, Ret Ext Type E .50 Dia. |
| * | 56009097 | 2 | Nut, Push Cap 1/2 |
| * | 56392102 | 8 | Roller |
| * | 56392809 | 2 | Rod |
| * | 56396133 | 1 | Weldment, Bumper Industrial |
| 18 | 56396200 | 1 | Bracket, Vac Exhaust Hose |
| 19 | 56009002 | 2 | Wsh, Flt .266 x .906 x .060 |
| 20 | 56002066 | 2 | Scr, Pan Phil 1/4-20 x .62 |
| 21 | 56002793 | 4 | Scr, Pan Phil 5/16-18 x .75 |
| 22 | 56002701 | 4 | Nut, Hex Nyl Loc 5/16-18 |
| * | 56397208 | 1 | Spacer, Battery |
| ** | 56396260 | 1 | Industrial Side Panel Kit |

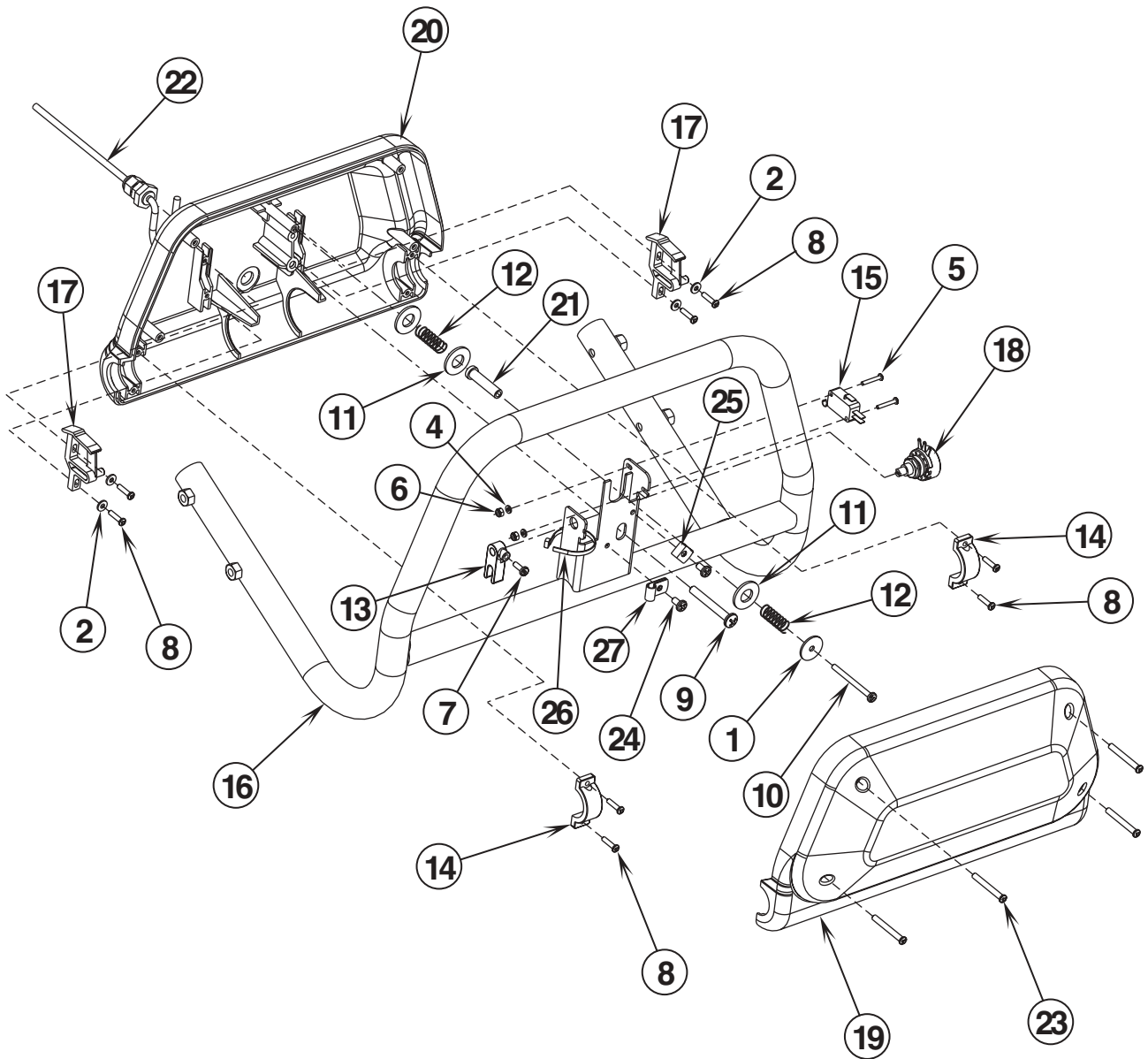
* = Not Shown

** = Optional



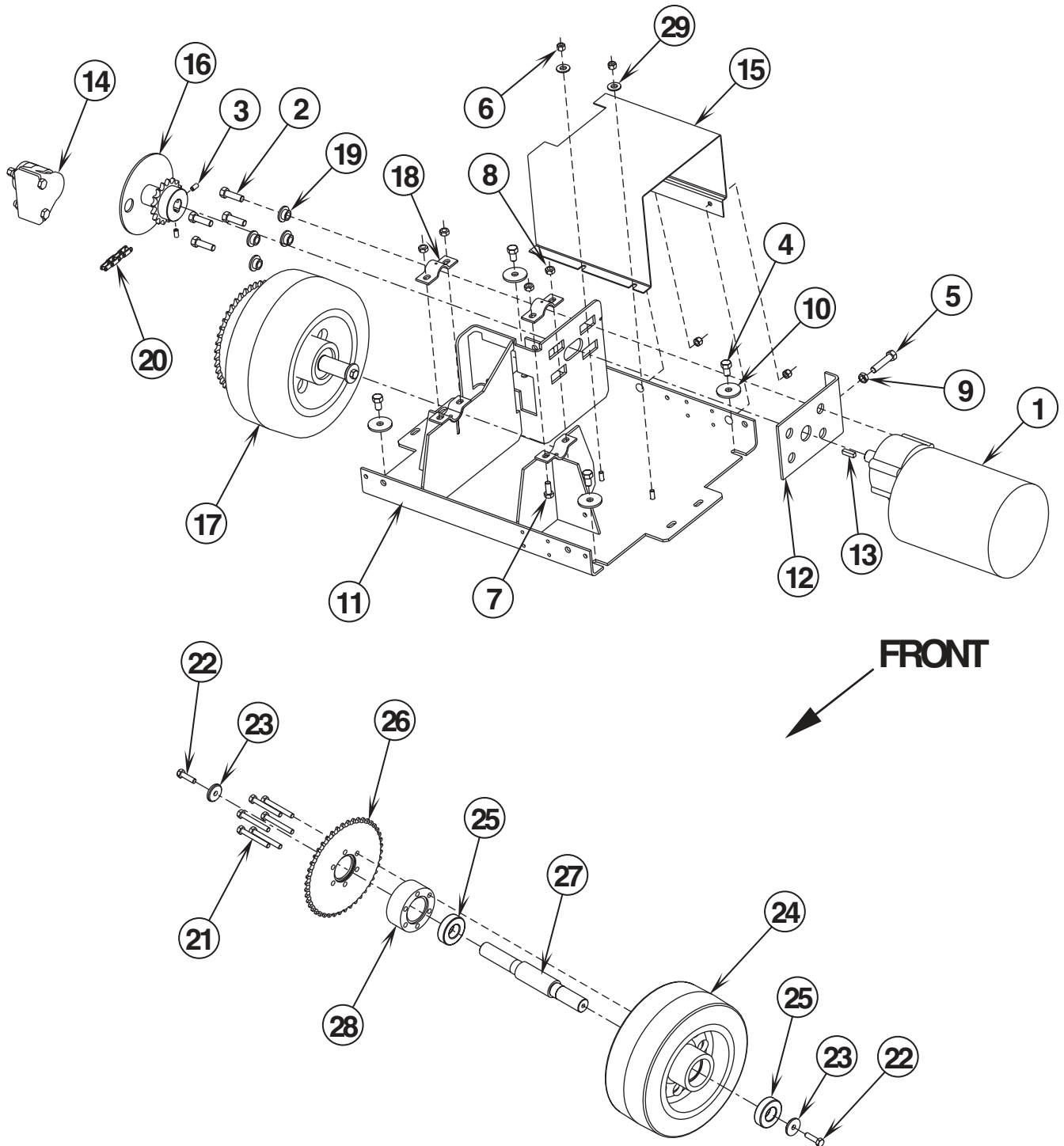
| | | | | |
|------|------------------------------------------------------|---------------|--------------|----------|
| 00-1 | CONTROL HANDLE SYSTEM | BOOK E | | |
| 02-3 | ConvertaMAX 28 / I-MAX 28HD / BA 750 / BA 850 | E | 5.9.1 | 9 |

| Item | Ref. No. | Qty | Description | Item | Ref. No. | Qty | Description |
|------|----------|-----|------------------------------------------------------------|------|----------|-----|-----------------------------------------------------------------|
| 1 | 56001832 | 1 | Scr, Flt Phil 1/4-20 x 1.00 | 52 | 56396161 | 1 | Display Panel Assembly |
| 2 | 56001954 | 1 | Wsh, Flt SAE #10 | 53 | 56396166 | 1 | Flap, Charger Plug |
| 3 | 56001967 | 4 | Scr, Hex Hd 1/4-20 x 1.75 | 54 | 56396167 | 1 | Strap |
| 4 | 56002035 | 6 | Scr, Hex Hd 5/16-18 x .62 | 55 | 56396177 | 1 | Spacer |
| 5 | 56002124 | 2 | Scr, Pan Phil 10-24 x .62 | 56 | 56396185 | 1 | Controller, 24V |
| 6 | 56009034 | 2 | Scr, Pan Phil Thd Form 8-32 x .88 | 57 | 56396187 | 1 | Charge Connector Assy |
| 7 | 56002462 | 10 | Scr, Pan Phil 1/4-20 x .38 | 58 | 56396188 | 1 | Switch, Key |
| 8 | 56002503 | 3 | Scr, Hex Hd 10-24 x .50 | * | 56396189 | A/R | Replacement Key |
| 9 | 56002539 | 2 | Scr, Pan Phil Thd Form 6-32 x .31 | 59 | 56396197 | 1 | Potentiometer, 100K |
| 10 | 56002561 | 3 | Nut, Hex W/SHPRF 1/4-20 | 60 | 56396199 | 1 | Clamp, Plastic |
| 11 | 56002708 | 6 | Nut, Hex Nyl Loc 1/4-20 | 61 | 56397088 | 1 | Contact, 24V, SPDT (Brush Motor) |
| 12 | 56002768 | 2 | Nut, Hex Nyl Loc 10-24 | 62 | 56397189 | 1 | Spacer |
| 13 | 56002825 | 2 | Scr, Pan Phil 1/4-20 x 1.25 | 63 | 56001833 | 2 | Scr, Hex Hd 1/4-20 x 1.50 |
| 14 | 56002831 | 4 | Scr, Pan Phil Blk 10-24 x .50 | 64 | 56478246 | 1 | Tie, Cable |
| 15 | 56002832 | 2 | Nut, Hex Nyl Loc-Thin 10-24 | 65 | 56396204 | 1 | Hose, PVC 1/4 x 3/8 x 48 |
| 16 | 56002859 | 10 | Wsh, Flt SAE SS 1/4 | 66 | 56321559 | 1 | Grommet |
| 17 | 56002840 | 2 | Nut, Hex Nyl Loc-Thin 1/4-20 | 67 | 56900041 | 1 | Plug, Cap |
| 18 | 56003358 | 1 | Scr, Hex M6-1.00 x 25mm | * | 56396192 | 1 | Harness, Handle Wiring TSB 737 |
| 19 | 56002768 | 1 | Nut, Hex Nyl Loc 10-24 | 68 | 56396252 | 1 | Spring Clip (after March 2001) |
| 20 | 56003403 | 1 | Nut, Hex Nyl Loc M6-1.00 | 69 | 56003197 | 2 | Scr, Pan Phil Plastite 6-18 x .62 |
| 21 | 56009203 | 1 | Stud, 1/4-20 | | | | NOTE #2 |
| 22 | 56009020 | 2 | Stud | 70 | 56396218 | 2 | Bracket, Panel NOTE #2 |
| 23 | 56009002 | 3 | Wsh, Flt .266 x .906 x .060 | 71 | 56002785 | 2 | Scr, Pan Phil 1/4-20 x .88 |
| 24 | 56009069 | 12 | Scr, Pan Phil Loc 1/4-20 x .50 | | | | NOTE #2 |
| 25 | 56009122 | 6 | Wsh, Flt .34 x .93 x .12 | | | | |
| 26 | 56009191 | 3 | Scr, Pan Phil Plastite 10-14 x .50 | | | | * = Not Shown |
| 27 | 56220507 | 1 | Clamp, P | | | | |
| 28 | 56262531 | 1 | Grommet | | | | NOTE #1: |
| 29 | 56387316 | 1 | Circuit Breaker 10 Amp (Control Circuit) | | | | ConvertaMAX™ 28 before SN1481036 / I-MAX™ 28HD before SN1481045 |
| 30 | 56389265 | 2 | Rectifier | | | | BA 750 before SN1485937 / BA 850 before SN1485944 |
| 31 | 56407193 | 1 | Gasket | | | | NOTE #2: |
| 32 | 56412089 | 1 | Fuse, 150 Amp | | | | ConvertaMAX™ 28 after SN1481035 / I-MAX™ 28HD after SN1481044 |
| 33 | 56412179 | 1 | Contact, 24 VDC (Vac Motor) | | | | BA 750 after SN1485936 / BA 850 after SN1485943 |
| 34 | 56418199 | 3 | Grommet | | | | NOTE #3: |
| 35 | 56452193 | 1 | Circuit Breaker 40 Amp (Wheel Drive) | | | | ConvertaMAX™ 28 / I-MAX™ 28HD before SN1517776 |
| 36 | 56456802 | 1 | Barb, 90 Elbow 11/16 x 3/4 NPT | | | | BA 750 before SN1516328 / BA 850 before SN1516334 |
| 37 | 56459367 | 1 | Boot, Reset Button | | | | NOTE #4: |
| 38 | 56459368 | 1 | Boot, Reset Button | | | | ConvertaMAX™ 28 / I-MAX™ 28HD after SN1517775 |
| 39 | 56462362 | 1 | Switch (Charger Interlock) | | | | BA 750 after SN1516327 / BA 850 after SN1516333 |
| 40 | 56469858 | 3 | Electrical Mount | | | | |
| 41 | 56478523 | 2 | Tie, Cable | | | | |
| 42 | 56056323 | 1 | Cable, Brake Assy | | | | |
| 43 | 56396038 | 1 | Relay, SPST, 24V (Brush Remove) TSB 776 | | | | |
| 44 | 56396082 | 1 | Back Panel TSB 769 | | | | |
| 45 | 56396251 | 1 | Back Panel Weld't NOTE #1 / TSB 769 | | | | |
| | 56396113 | 1 | Back Panel Weld't NOTE #2 / TSB 769 | | | | |
| 46 | 56396147 | 1 | Paddle, Handle Assembly (see associated pages) | | | | |
| 47 | 56396149 | 1 | Grommet | | | | |
| 48 | 56056596 | 1 | Knob | | | | |
| 49 | 56396151 | 1 | Gasket | | | | |
| 50 | 56396155 | 1 | Weldment, Electrical Cover | | | | |
| 51 | 56396156 | 1 | Control Box Assy NOTE #3 / TSB 793 | | | | |
| | 56396009 | 1 | Control Box Assy NOTE #4 / TSB 793 | | | | |



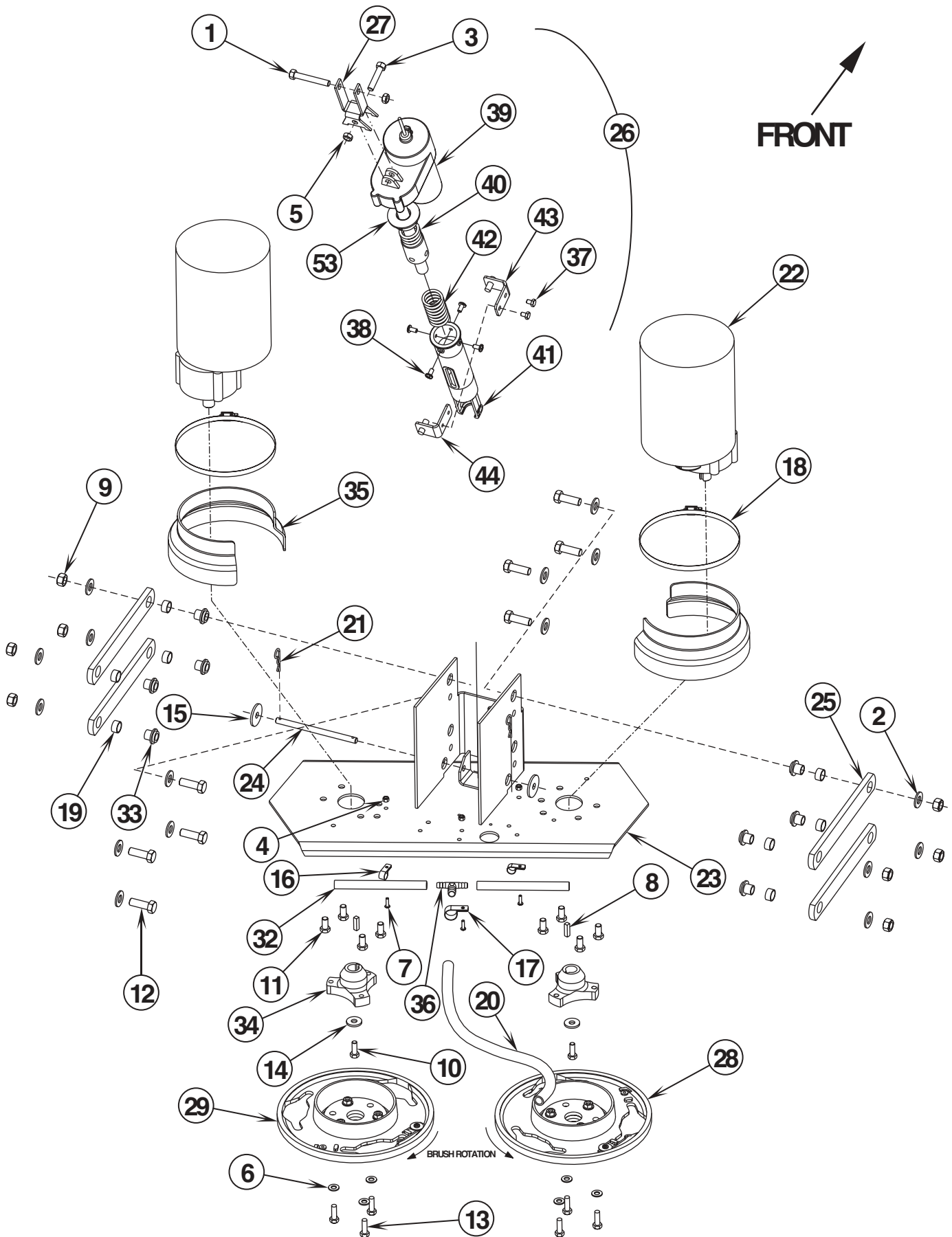
| | | | | |
|------|------------------------------------------------------|---------------|--------------|-----------|
| 00-1 | HANDLE PADDLE ASSEMBLY | BOOK E | | |
| 02-3 | ConvertaMAX 28 / I-MAX 28HD / BA 750 / BA 850 | E | 5.9.1 | 11 |

| Item | Ref. No. | Qty | Description |
|------|----------|-----|-----------------------------------------------|
| | 56396147 | 1 | Paddle, Handle Assembly (#1-27) |
| 1 | 56009096 | 1 | Wsh, Flt .193 x .875 x .060 |
| 2 | 56002006 | 4 | Wsh, Flt SAE #6 |
| 3 | | | Intentionally Omitted |
| 4 | 56002431 | 2 | Wsh, Flt SAE #4 |
| 5 | 56002713 | 2 | Scr, Pan Phil 4-40 x .75 |
| 6 | 56002838 | 2 | Nut, Hex Nyl Loc 4-40 |
| 7 | 56003354 | 1 | Scr, Pan Phil M4 x 12 |
| 8 | 56003197 | 8 | Scr, Pan Phil Plastite 6-18 x .62 |
| 9 | 56003527 | 1 | Scr, Pan Phil Plastite 1/4-10 x 2.00 |
| 10 | 56009287 | 1 | Scr, Pan Phil Type B 8 x 2.00 |
| 11 | 56397170 | 3 | Washer, Plastic |
| 12 | 56325654 | 2 | Spring, Compression |
| 13 | 56397172 | 1 | Potentiometer Fork |
| 14 | 56397171 | 2 | Clamp |
| 15 | 56263174 | 1 | Switch, Snap SPDT (Squeegee Reverse) |
| 16 | 56396114 | 1 | Weldment, Handle |
| 17 | 56397015 | 2 | Cam Controller |
| 18 | 56397029 | 1 | Potentiometer, 5K |
| 19 | 56397030 | 1 | Paddle, Front Molded |
| 20 | 56397031 | 1 | Paddle, Back Molded |
| 21 | 56397109 | 1 | Sleeve |
| 22 | 56396192 | 1 | Harness Assembly TSB 737 |
| 23 | 56003199 | 4 | Scr, Pan Phil Plastite 8-15 x 1.50 |
| 24 | 56009030 | 2 | Scr, Pan Phil Thd Form 10-24 x .38 |
| 25 | 56220507 | 1 | Clamp, P |
| 26 | 56478246 | 1 | Tie, Cable |
| 27 | 56481890 | 1 | Clamp, P |



| | | | | |
|------|------------------------------------------------------|---------------|--------------|-----------|
| 00-1 | DRIVE WHEEL SYSTEM | BOOK E | | |
| 01-6 | ConvertaMAX 28 / I-MAX 28HD / BA 750 / BA 850 | E | 5.9.1 | 13 |

| Item | Ref. No. | Qty | Description |
|------|----------|-----|---------------------------------------|
| 1 | 56396209 | 1 | Motor and Gear Unit, 24V |
| 2 | 56001858 | 4 | Scr, Hex Hd 3/8-16 x 1.25 |
| 3 | 56001826 | 2 | Scr, Soc Set Loc 5/16-18 x .50 |
| 4 | 56002127 | 4 | Scr, Hex Hd 3/8-16 x .75 |
| 5 | 56002684 | 1 | Scr, Hex Hd 3/8-16 x 1.75 |
| 6 | 56002708 | 4 | Nut, Hex Nyl Loc 1/4-20 |
| 7 | 56003179 | 4 | Scr, Hex Thd To Hd M8-1.25 x 20mm |
| 8 | 56003389 | 4 | Nut, Hex Nyl Loc M8-1.25 |
| 9 | 56009085 | 1 | Nut, Hex Jam 3/8-16 |
| 10 | 56009242 | 4 | Wsh, Flt .406 x 1.50 x .125 |
| 11 | 56035209 | 1 | Weldment, Base, Motor and Wheel |
| 12 | 56035262 | 1 | Weldment, Bracket |
| 13 | | 1 | Key, Sq .25 x .875 (supplied w/motor) |
| 14 | 56056245 | 1 | Brake, Mechanical Caliper |
| 15 | 56056405 | 1 | Cover, Motor |
| 16 | 56396036 | 1 | Sprocket Weldment |
| 17 | 56396037 | 1 | Wheel Assembly (#21-28) |
| 18 | 56396039 | 2 | Clamp, Axle |
| 19 | 56396048 | 4 | Bushing |
| 20 | 56396033 | 1 | Chain, Roller |
| 21 | 56003634 | 6 | Scr, Hex Loc 5/16-18 x 2.25 |
| 22 | 56003179 | 2 | Scr, Hex M8-1.25 x 20mm |
| 23 | 56358959 | 2 | Washer, Flat |
| 24 | 56376628 | 1 | Wheel 10.00 x 4.00 |
| 25 | 56479430 | 2 | Bearing, Ball |
| 26 | 56396022 | 1 | Sprocket |
| 27 | 56396023 | 1 | Axle |
| 28 | 56396044 | 1 | Spacer |
| 29 | 56002098 | 2 | Wsh, Flt SAE 1/4 |



| Item | Ref. No. | Qty | Description | Item | Ref. No. | Qty | Description |
|------|----------|-----|--------------------------------------------------------------|------|----------|-----|-------------------|
| 1 | 56001873 | 1 | Scr, Hex Hd 3/8-16 x 2.50 | ** | 56505770 | 2 | Pad Holder |
| 2 | 56001879 | 16 | Wsh, Flt SAE 1/2 | ** | 56505771 | 2 | MagnaGrit Brush |
| 3 | 56002684 | 1 | Scr, Hex Hd 3/8-16 x 1.75 | ** | 56505772 | 2 | DynaGrit Brush |
| 4 | 56002808 | 3 | Nut, Hex Nyl Loc 8-32 | ** | 56505773 | 2 | AgLite Grit Brush |
| 5 | 56002841 | 2 | Nut, Hex Nyl Loc-Thin 3/8-16 | ** | 56505774 | 2 | Prolene Brush |
| 6 | 56002938 | 6 | Wsh, Flt SAE SS 5/16 | ** | 56505775 | 2 | ProLite Brush |
| 7 | 56003001 | 3 | Scr, Pan Phil SS 8-32 x .62 | ** | 56505776 | 2 | Union Mix Brush |
| 8 | 56003244 | 2 | Key, Sq. .25 x .94 | ** | 56505777 | 2 | MidGrit Brush |
| 9 | 56003312 | 8 | Nut, Hex Nyl Loc M12-1.75 | ** | 56505778 | 2 | MidLite Brush |
| 10 | 56003335 | 2 | Scr, Hex Loc SS 5/16-18 x .88 | ** | 56182058 | 2 | Lock Collar, Snap |
| 11 | 56003338 | 8 | Scr, Hex Loc SS 3/8-16 x .75 | ** | 56393567 | 2 | Lock Collar, Thrd |
| 12 | 56003415 | 8 | Scr, Hex M12-1.75 x 35mm | | | | |
| 13 | 56003477 | 6 | Scr, Hex Loc SS M8-1 x 25mm | | | | |
| 14 | 56009107 | 2 | Wsh, Flt SS .378 x 1.00 x .12 | | | | |
| 15 | 56009242 | 2 | Wsh, Flt .406 x 1.50 x .125 | | | | |
| 16 | 56152617 | 2 | Clamp, P | | | | |
| 17 | 56328064 | 1 | Clamp, P | | | | |
| 18 | 56355488 | 2 | Clamp, Hose SAE #96 | | | | |
| 19 | 56370878 | 8 | Bearing, Sleeve | | | | |
| 20 | 56261263 | 1 | Hose, Spiral .50 NOTE #1 / TSB 787 | | | | |
| | 56172099 | 1 | Hose, PVC Clear NOTE #2 / TSB 787 | | | | |
| 21 | 56003120 | 2 | Pin, Cotter Hair .09 x .375 | | | | |
| 22 | 56027153 | 2 | Motor and Gear Unit, 24V (ConvertaMAX™ 28 / BA 750) | | | | |
| | 56397079 | 2 | Motor and Gear Unit, 24V (I-MAX™ 28HD) | | | | |
| 23 | 56035313 | 1 | Weldment, Brush Head | | | | |
| 24 | 56056987 | 1 | Shaft, Steel | | | | |
| 25 | 56396045 | 4 | Arm | | | | |
| 26 | 56396049 | 1 | Lift Actuator Assembly (#37-44, 53) | | | | |
| 27 | 56396066 | 1 | Yoke, Actuator | | | | |
| 28 | 56396080 | 1 | Lug, Counter-Clockwise (#45-52) | | | | |
| 29 | 56396081 | 1 | Lug Clockwise (#45-52) | | | | |
| 30 | | | Intentionally Omitted | | | | |
| 31 | | | Intentionally Omitted | | | | |
| 32 | 56396195 | 2 | Hose, PVE | | | | |
| 33 | 56396196 | 8 | Bushing | | | | |
| 34 | 56397082 | 2 | Hub, Drive | | | | |
| 35 | 56397112 | 2 | Shroud, Motor | | | | |
| 36 | 56397300 | 1 | Tee, Barb | | | | |
| 37 | 56009019 | 2 | Scr, Hex Thd Form 1/4-20 x .38 | | | | |
| 38 | 56009062 | 4 | Scr, Pan Phil Thd Form 1/4-20 x .50 | | | | |
| 39 | 56393303 | 1 | Actuator, Motor | | | | |
| * | 56470433 | 1 | Carbon Brush Set | | | | |
| * | 56393790 | 2 | Limit Switch | | | | |
| * | 56388520 | 1 | Plastic Drive Nut | | | | |
| 40 | 56412071 | 1 | Compression Spring | | | | |
| 41 | 56412262 | 1 | Housing, Spring (TSBUS2002-811) | | | | |
| 42 | 56420018 | 1 | Compression Spring | | | | |
| 43 | 56420019 | 1 | Nut Retainer | | | | |
| 44 | 56420020 | 1 | Nut Retainer | | | | |
| 45 | 56002938 | 3 | Wsh, Flt SAE SS 5/16 | | | | |
| 46 | 56003405 | 3 | Nut, Hex Nyl Loc SS M8 x 1.25 | | | | |
| 47 | 56003436 | 3 | Scr, Hex Hd SS M8-1.25 x 25mm | | | | |
| 48 | 56009030 | 1 | Scr, Pan Phil Thd Form 10-24 x .38 | | | | |
| 49 | 56009096 | 1 | Wsh, Flt .193 x .875 x .060 | | | | |
| 50 | 56407053 | 2 | Thermoid Disk | | | | |
| 51 | 56397081 | 1 | Spring Retainer | | | | |
| 52 | 56397084 | 1 | Brush Holder | | | | |
| 53 | 56396268 | 1 | Spring Housing Guide (TSB 807) | | | | |

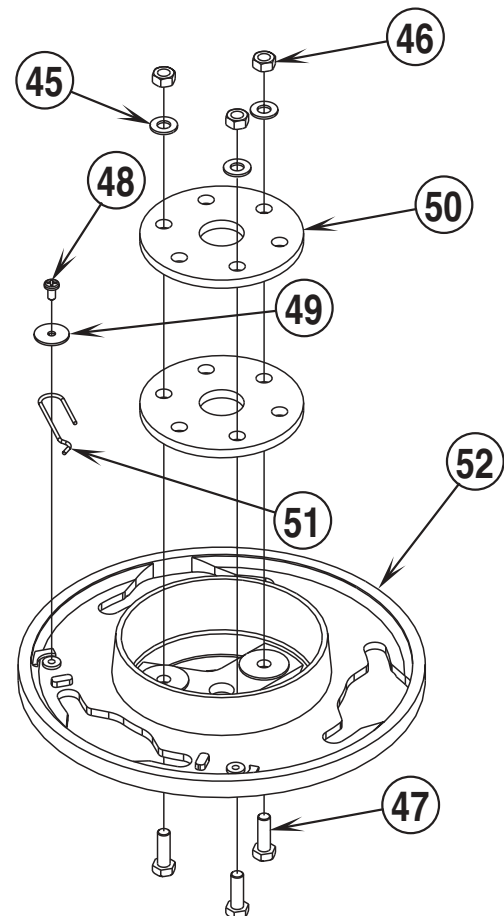
* = Not Shown
 ** = Not Included (optional)

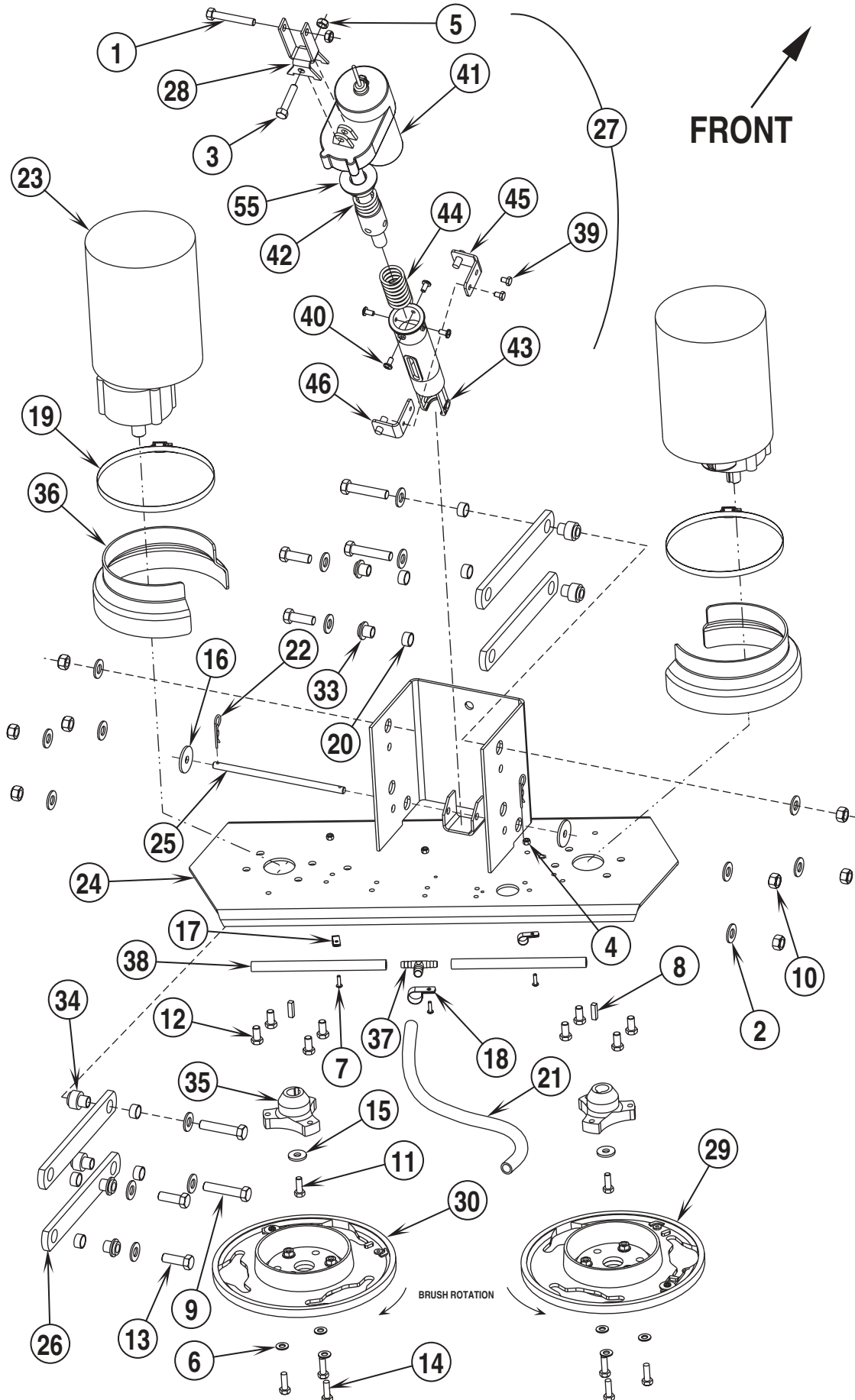
NOTE #1:

ConvertaMAX™ 28 / I-MAX™ 28HD before SN1517776
 BA 750 before SN1516328

NOTE #2:

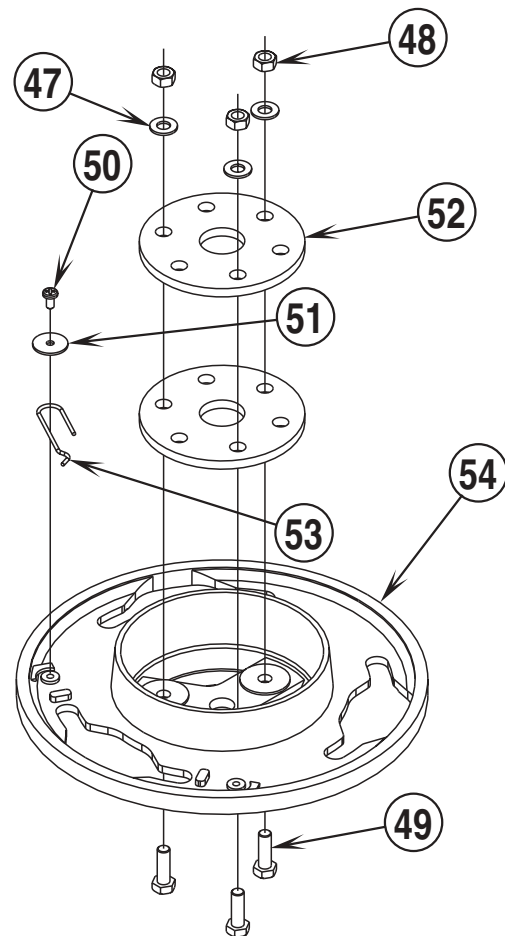
ConvertaMAX™ 28 / I-MAX™ 28HD after SN1517775
 BA 750 after SN1516327

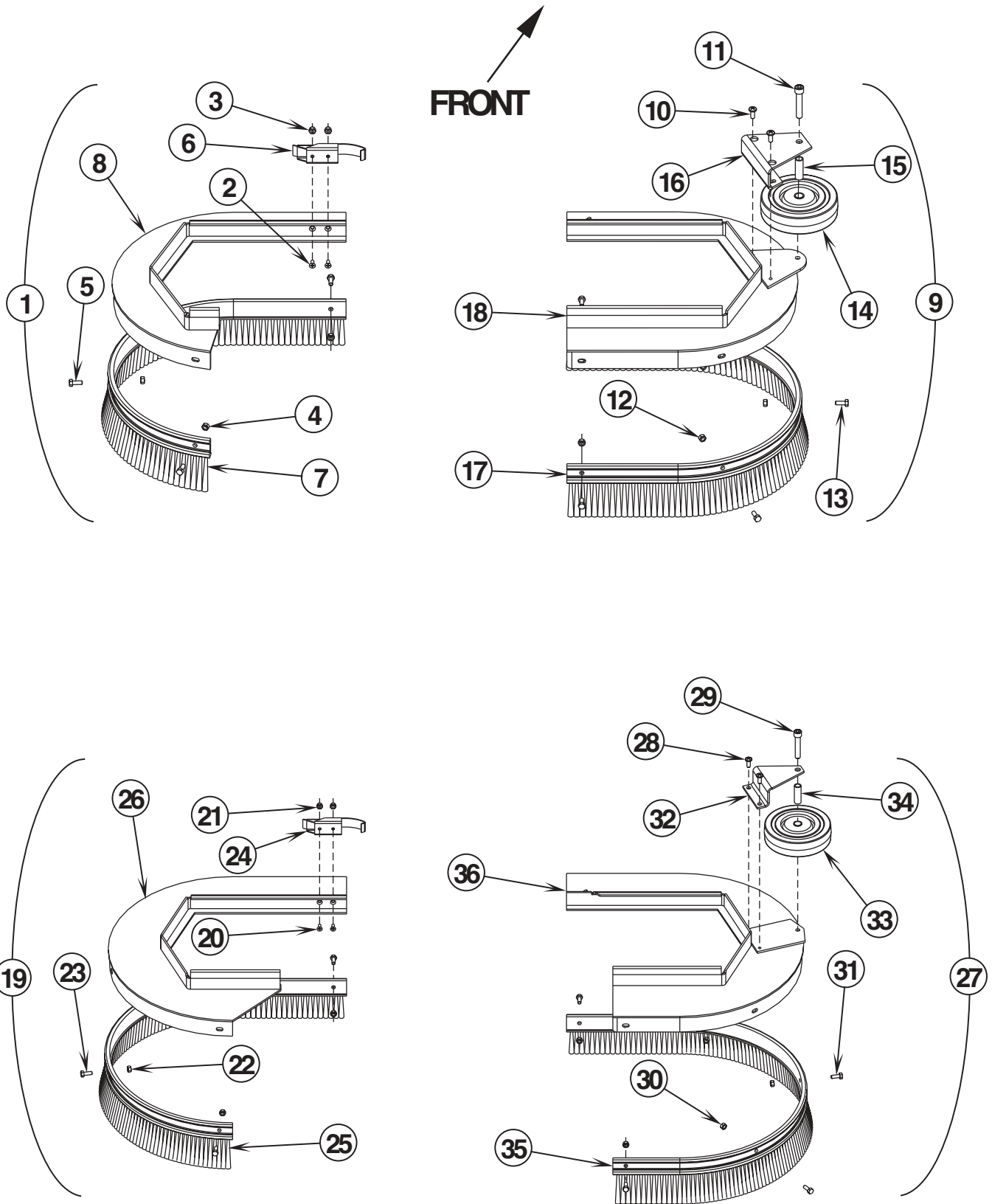




| Item | Ref. No. | Qty | Description | Item | Ref. No. | Qty | Description |
|------|----------|-----|---------------------------------------------|------|----------|-----|-------------------|
| 1 | 56001873 | 1 | Scr, Hex Hd 3/8-16 x 2.50 | ** | 56505780 | 2 | Pad Holder |
| 2 | 56001879 | 16 | Wsh, Flt SAE 1/2 | ** | 56505781 | 2 | MagnaGrit Brush |
| 3 | 56002684 | 1 | Scr, Hex Hd 3/8-16 x 1.75 | ** | 56505782 | 2 | DynaGrit Brush |
| 4 | 56002808 | 3 | Nut, Hex Nyl Loc 8-32 | ** | 56505783 | 2 | AgLite Grit Brush |
| 5 | 56002841 | 2 | Nut, Hex Nyl Loc-Thin 3/8-16 | ** | 56505784 | 2 | ProLite Brush |
| 6 | 56002938 | 6 | Wsh, Flt SAE SS 5/16 | ** | 56505785 | 2 | ProLite Brush |
| 7 | 56003001 | 3 | Scr, Pan Phil SS 8-32 x .62 | ** | 56505786 | 2 | Union Mix Brush |
| 8 | 56003244 | 2 | Key, Sq. .25 x .94 | ** | 56505787 | 2 | MidGrit Brush |
| 9 | 56003311 | 4 | Scr, Hex M12-1.75 x 60mm | ** | 56505788 | 2 | MidLite Brush |
| 10 | 56003312 | 8 | Nut, Hex Nyl Loc M12-1.75 | ** | 56182058 | 2 | Lock Collar, Snap |
| 11 | 56003335 | 2 | Scr, Hex Loc SS 5/16-18 x .88 | ** | 56393567 | 2 | Lock Collar, Thrd |
| 12 | 56003338 | 8 | Scr, Hex Loc SS 3/8-16 x .75 | | | | |
| 13 | 56003415 | 4 | Scr, Hex M12-1.75 x 35mm | | | | |
| 14 | 56003477 | 6 | Scr, Hex Loc SS M8-1 x 25mm | | | | |
| 15 | 56009107 | 2 | Wsh, Flt SAE .378 x 1.00 x .12 | | | | |
| 16 | 56009242 | 2 | Wsh, Flt .406 x 1.50 x .125 | | | | |
| 17 | 56152617 | 2 | Clamp, P | | | | |
| 18 | 56328064 | 1 | Clamp, P | | | | |
| 19 | 56355488 | 2 | Clamp, Hose SAE #96 | | | | |
| 20 | 56370878 | 8 | Bearing, Sleeve | | | | |
| 21 | 56261263 | 1 | Hose, Spiral .50 (before SN1516334) TSB 787 | | | | |
| | 56172099 | 1 | Hose, PVC Clear (after SN1516333) TSB 787 | | | | |
| 22 | 56003120 | 2 | Pin, Cotter Hair .091 x .375 | | | | |
| 23 | 56027153 | 2 | Motor and Gear Unit, 24V | | | | |
| 24 | 56035078 | 1 | Weldment, Brush Head | | | | |
| 25 | 56056474 | 1 | Shaft, Steel | | | | |
| 26 | 56396045 | 4 | Arm | | | | |
| 27 | 56396049 | 1 | Lift Actuator Assembly (#39-46, 55) | | | | |
| 28 | 56396066 | 1 | Yoke, Actuator | | | | |
| 29 | 56396080 | 1 | Lug, Counter-Clockwise (#47-54) | | | | |
| 30 | 56396081 | 1 | Lug Clockwise (#47-54) | | | | |
| 31 | | | Intentionally Omitted | | | | |
| 32 | | | Intentionally Omitted | | | | |
| 33 | 56396196 | 4 | Bushing | | | | |
| 34 | 56396198 | 4 | Bushing | | | | |
| 35 | 56397082 | 2 | Hub, Drive | | | | |
| 36 | 56397112 | 2 | Shroud, Motor | | | | |
| 37 | 56397300 | 1 | Tee, Barb | | | | |
| 38 | 56397301 | 2 | Hose, PVC | | | | |
| 39 | 56009019 | 2 | Scr, Hex Thd Form 1/4-20 x .38 | | | | |
| 40 | 56009062 | 4 | Scr, Pan Phil Thd Form 1/4-20 x .50 | | | | |
| 41 | 56393303 | 1 | Actuator, Motor | | | | |
| * | 56470433 | 1 | Carbon Brush Set | | | | |
| * | 56393790 | 2 | Limit Switch | | | | |
| * | 56388520 | 1 | Plastic Drive Nut | | | | |
| 42 | 56412071 | 1 | Compression Spring | | | | |
| 43 | 56412262 | 1 | Housing, Spring (TSBUS2002-811) | | | | |
| 44 | 56420018 | 1 | Compression Spring | | | | |
| 45 | 56420019 | 1 | Nut Retainer | | | | |
| 46 | 56420020 | 1 | Nut Retainer | | | | |
| 47 | 56002938 | 3 | Wsh, Flt SAE SS 5/16 | | | | |
| 48 | 56003405 | 3 | Nut, Hex Nyl Loc SS M8 x 1.25 | | | | |
| 49 | 56003436 | 3 | Scr, Hex Hd SS M8-1.25 x 25mm | | | | |
| 50 | 56009030 | 1 | Scr, Pan Phil Thd Form 10-24 x .38 | | | | |
| 51 | 56009096 | 1 | Wsh, Flt .193 x .875 x .060 | | | | |
| 52 | 56407053 | 2 | Thermoid Disk | | | | |
| 53 | 56397081 | 1 | Spring Retainer | | | | |
| 54 | 56397084 | 1 | Brush Holder | | | | |
| 55 | 56396268 | 1 | Spring Housing Guide (TSB 807) | | | | |

* = Not Shown
** = Not Included (optional)



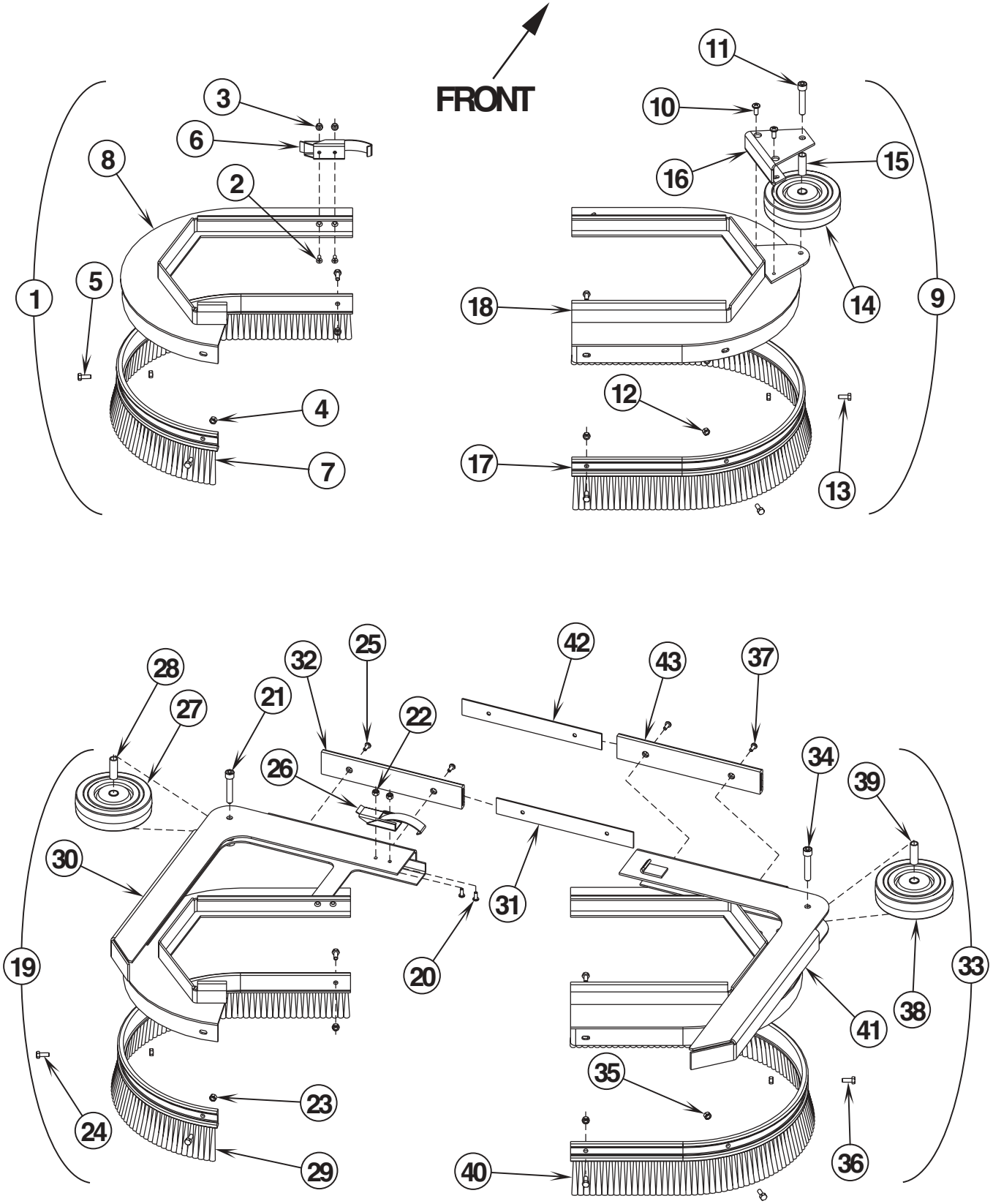


| | | | | |
|------|------------------------------------------------------|---------------|--------------|-----------|
| 00-1 | SKIRT ASSEMBLIES (BA 750 / BA 850) | BOOK E | | |
| 01-6 | ConvertaMAX 28 / I-MAX 28HD / BA 750 / BA 850 | E | 5.9.1 | 19 |

| Item | Ref. No. | Qty | Description |
|------|----------|-----|------------------------------------------------|
| 1 | 56396099 | 1 | Assembly, Brush Cover, Left (#2-8 / BA 750) |
| 2 | 56002178 | 2 | Scr, Flt Phil 10-24 x .50 |
| 3 | 56002768 | 2 | Nut, Hex Nyl Loc 10-24 |
| 4 | 56003426 | 4 | Nut, Hex Nyl Loc SS M6-1.00 |
| 5 | 56003431 | 4 | Scr, Hex Hd SS M6-1.00 x 16mm |
| 6 | 56054306 | 1 | Clamp, Toggle Latch |
| 7 | 56396087 | 1 | Skirt, Bristle, Left |
| 8 | 56396094 | 1 | Weldment, Brush Cover, Left |
| 9 | 56396100 | 1 | Assembly, Brush Cover, Right (#10-18 / BA 750) |
| 10 | 56002066 | 2 | Scr, Pan Phil 1/4-20 x .62 |
| 11 | 56002133 | 1 | Scr, Soc Hd 3/8-16 x 2.00 |
| 12 | 56003426 | 5 | Nut, Hex Nyl Loc SS M6-1.00 |
| 13 | 56003431 | 5 | Scr, Hex Hd SS M6-1.00 x 16mm |
| 14 | 56161691 | 1 | Wheel, Black |
| 15 | 56056684 | 1 | Spacer, Steel |
| 16 | 56056701 | 1 | Bracket, Bumper Wheel |
| 17 | 56396088 | 1 | Skirt, Bristle, Right |
| 18 | 56396095 | 1 | Weldment, Brush Cover, Right |
| 19 | 56396111 | 1 | Assembly, Brush Cover, Left (#20-26 / BA 850) |
| 20 | 56002178 | 2 | Scr, Flt Phil 10-24 x .50 |
| 21 | 56002768 | 2 | Nut, Hex Nyl Loc 10-24 |
| 22 | 56003426 | 4 | Nut, Hex Nyl Loc SS M6-1.00 |
| 23 | 56003431 | 4 | Scr, Hex Hd SS M6-1.00 x 16mm |
| 24 | 56054306 | 1 | Clamp, Toggle Latch |
| 25 | 56396089 | 1 | Skirt, Bristle, Left |
| 26 | 56396109 | 1 | Weldment, Brush Cover, Left |
| 27 | 56396112 | 1 | Assembly, Brush Cover, Right (#28-36 / BA 850) |
| 28 | 56002066 | 2 | Scr, Pan Phil 1/4-20 x .62 |
| 29 | 56002133 | 1 | Scr, Soc Hd 3/8-16 x 2.00 |
| 30 | 56003426 | 5 | Nut, Hex Nyl Loc SS M6-1.00 |
| 31 | 56003431 | 5 | Scr, Hex Hd SS M6-1.00 x 16mm |
| 32 | 56056120 | 1 | Bracket, Brush Head, Guide |
| 33 | 56161691 | 1 | Wheel, Black |
| 34 | 56056684 | 1 | Spacer, Steel |
| 35 | 56396090 | 1 | Skirt, Bristle, Right |
| 36 | 56396110 | 1 | Weldment, Brush Cover, Right |
| ** | 56396008 | 1 | Rubber Blade Kit (BA 750) |
| ** | 56397080 | 1 | Rubber Blade Kit (BA 850) |

** = Optional

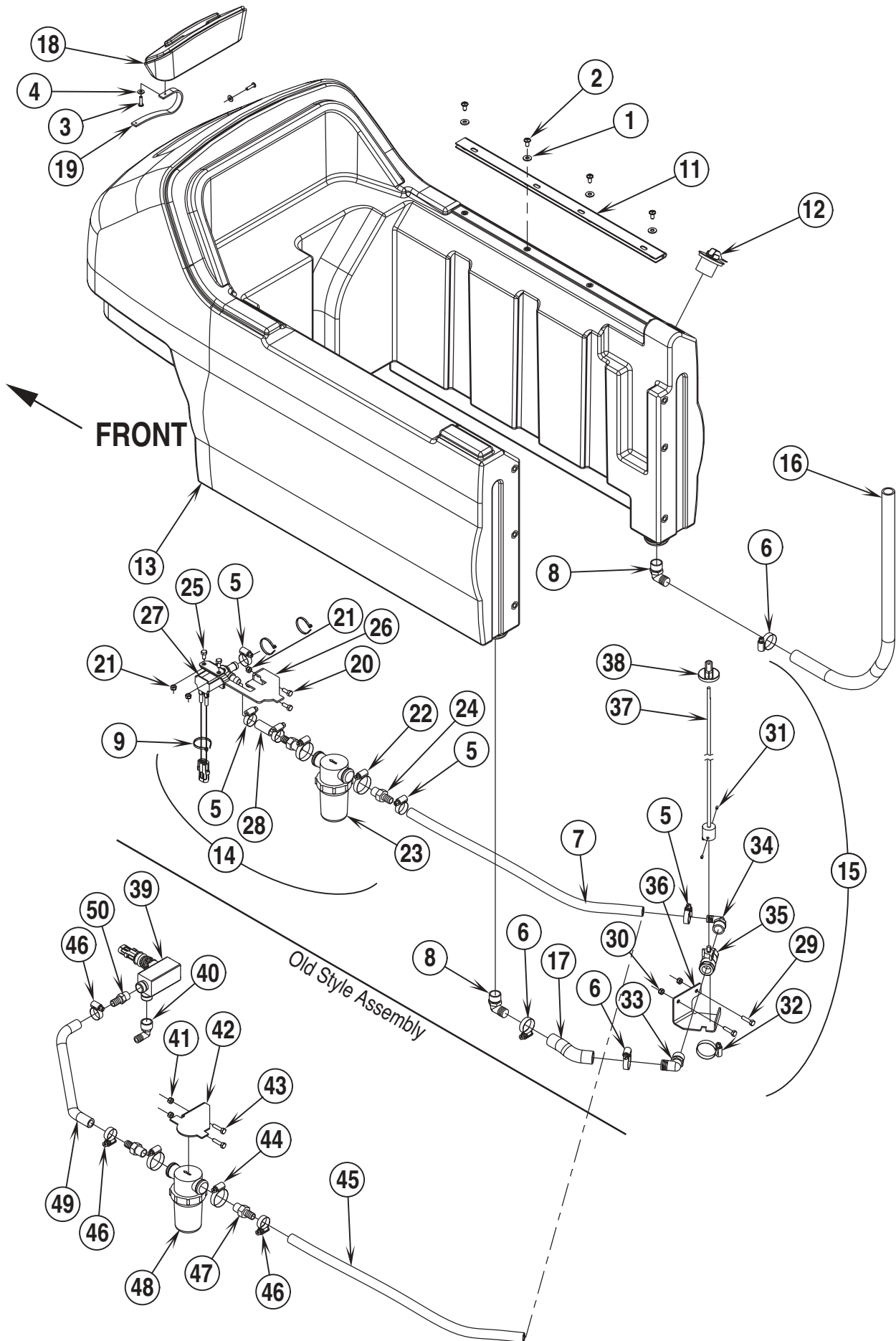
FRONT



| | | | | |
|------|------------------------------------------------------|---------------|--------------|-----------|
| 00-1 | SKIRT ASSY. (CONVERTAMAX 28 / I-MAX 28HD) | BOOK E | | |
| 01-6 | ConvertaMAX 28 / I-MAX 28HD / BA 750 / BA 850 | E | 5.9.1 | 21 |

| Item | Ref. No. | Qty | Description |
|------|----------|-----|---------------------------------------------------------|
| 1 | 56396099 | 1 | Assembly, Brush Cover, Left (#2-8 / ConvertaMAX™ 28) |
| 2 | 56002178 | 2 | Scr, Flt Phil 10-24 x .50 |
| 3 | 56002768 | 2 | Nut, Hex Nyl Loc 10-24 |
| 4 | 56003426 | 4 | Nut, Hex Nyl Loc SS M6-1.00 |
| 5 | 56003431 | 4 | Scr, Hex Hd SS M6-1.00 x 16mm |
| 6 | 56054306 | 1 | Clamp, Toggle Latch |
| 7 | 56396087 | 1 | Skirt, Bristle, Left |
| 8 | 56396094 | 1 | Weldment, Brush Cover, Left |
| 9 | 56396100 | 1 | Assembly, Brush Cover, Right (#10-18 / ConvertaMAX™ 28) |
| 10 | 56002066 | 2 | Scr, Pan Phil 1/4-20 x .62 |
| 11 | 56002133 | 1 | Scr, Soc Hd 3/8-16 x 2.00 |
| 12 | 56003426 | 5 | Nut, Hex Nyl Loc SS M6-1.00 |
| 13 | 56003431 | 5 | Scr, Hex Hd SS M6-1.00 x 16mm |
| 14 | 56161691 | 1 | Wheel, Black |
| 15 | 56056684 | 1 | Spacer, Steel |
| 16 | 56056701 | 1 | Bracket, Bumper Wheel |
| 17 | 56396088 | 1 | Skirt, Bristle, Right |
| 18 | 56396095 | 1 | Weldment, Brush Cover, Right |
| 19 | 56396129 | 1 | Assembly, Brush Cover, Left (#20-32 / I-MAX™ 28HD) |
| 20 | 56001993 | 2 | Scr, Pan Phil 10-24 x .50 |
| 21 | 56002133 | 1 | Scr, Soc Hd 3/8-16 x 2.00 |
| 22 | 56002768 | 2 | Nut, Hex Nyl Loc 10-24 |
| 23 | 56003426 | 4 | Nut, Hex Nyl Loc SS M6-1.00 |
| 24 | 56003431 | 4 | Scr, Hex Hd SS M6-1.00 x 16mm |
| 25 | 56009082 | 2 | Scr, Pan Phil Thd Form-Blk 10-24 x .50 |
| 26 | 56054306 | 1 | Clamp, Toggle Latch |
| 27 | 56161691 | 1 | Wheel, Black |
| 28 | 56056684 | 1 | Spacer, Steel |
| 29 | 56396087 | 1 | Skirt, Bristle, Left |
| 30 | 56396128 | 1 | Weldment, Brush Cover, Left |
| 31 | 56396169 | 1 | Strap |
| 32 | 56396170 | 1 | Bumper |
| 33 | 56396127 | 1 | Assembly, Brush Cover, Right (#34-43 / I-MAX™ 28HD) |
| 34 | 56002133 | 1 | Scr, Soc Hd 3/8-16 x 2.00 |
| 35 | 56003426 | 5 | Nut, Hex Nyl Loc SS M6-1.00 |
| 36 | 56003431 | 5 | Scr, Hex Hd SS M6-1.00 x 16mm |
| 37 | 56009082 | 2 | Scr, Pan Phil Thd Form-Blk 10-24 x .50 |
| 38 | 56161691 | 1 | Wheel, Black |
| 39 | 56056684 | 1 | Spacer, Steel |
| 40 | 56396088 | 1 | Skirt, Bristle, Right |
| 41 | 56396126 | 1 | Weldment, Brush Cover, Right |
| 42 | 56396169 | 1 | Strap |
| 43 | 56396170 | 1 | Bumper |
| ** | 56396008 | 1 | Rubber Blade Kit (for all models) |

** = Optional



| | | | | |
|-------|------------------------------------------------------|---------------|--------------|-----------|
| 00-1 | SOLUTION SYSTEM | BOOK E | | |
| 01-10 | ConvertaMAX 28 / I-MAX 28HD / BA 750 / BA 850 | E | 5.9.1 | 23 |

| Item | Ref. No. | Qty | Description |
|------|----------|-----|------------------------------------------------------|
| 1 | 56002859 | 4 | Wsh, Flt SAE SS 1/4 |
| 2 | 56003119 | 4 | Scr, Pan Phil SS 1/4-20 x .50 |
| 3 | 56009005 | 2 | Scr, Pan Phil SS Type B 10-16 x .75 |
| 4 | 56009205 | 2 | Wsh, Flt SS #10 |
| 5 | 56219932 | 5 | Clamp, Hose SAE #6 |
| 6 | 56244969 | 3 | Clamp, Hose SAE #12 |
| 7 | 56324249 | 1 | Hose, Spiral .50 |
| 8 | 56456802 | 2 | Barb, 90 Elbow 11/16 x 3/4NPT |
| 9 | 56478246 | 3 | Tie, Cable |
| 10 | 56051836 | 1 | Hook (Not Shown) |
| 11 | 56056514 | 1 | Hinge |
| 12 | 56057852 | 1 | Plug, Expansion |
| 13 | 56396024 | 1 | Tank, Solution |
| 14 | 56396096 | 1 | Assembly, Filter (#5, 20-28) TSB 787 |
| 15 | 56396097 | 1 | Assembly, Ball Valve (#29-38) |
| 16 | 56396143 | 1 | Hose, .75 Clear PVC |
| 17 | 56396181 | 1 | Hose, .75 Clear PVC |
| 18 | 56397021 | 1 | Lid, Solution |
| 19 | 56397167 | 1 | Strap, Retaining |
| 20 | 56003174 | 2 | Scr, Hex Thd To Hd M6-1.00 x 16mm |
| 21 | 56003403 | 4 | Nut, Hex Nyl Loc M6-1.00 |
| 22 | 56131601 | 2 | Clamp, Hose SAE #16 |
| 23 | 56412173 | 1 | Solution Filter |
| 24 | 56412184 | 2 | Barb, Adapter 1/2 x 1/2NPT |
| 25 | 56003155 | 2 | Scr, Hex M6-1.00 x 12mm |
| 26 | 56396068 | 1 | Filter Bracket |
| 27 | 56397203 | 1 | Solenoid Valve Assembly TSB 787 |
| 28 | 56397217 | 1 | Hose, PVC Clear |
| 29 | 56003174 | 2 | Scr, Hex Thd To Hd M6-1.00 x 16mm |
| 30 | 56003403 | 2 | Nut, Hex Nyl Loc M6-1.00 |
| 31 | 56009183 | 2 | Scr, Soc Set Loc 10-24 x .19 |
| 32 | 56131601 | 1 | Clamp, Hose SAE #16 |
| 33 | 56244985 | 1 | Barb, 90 Elbow 3/4 x 1/2NPT |
| 34 | 56409152 | 1 | Barb, 90 Elbow 1/2 x 1/2NPT |
| 35 | 56412174 | 1 | Solution Shut-off Valve |
| 36 | 56396067 | 1 | Valve Bracket |
| 37 | 56396071 | 1 | Rod Weld't. |
| 38 | 56396201 | 1 | Knob |

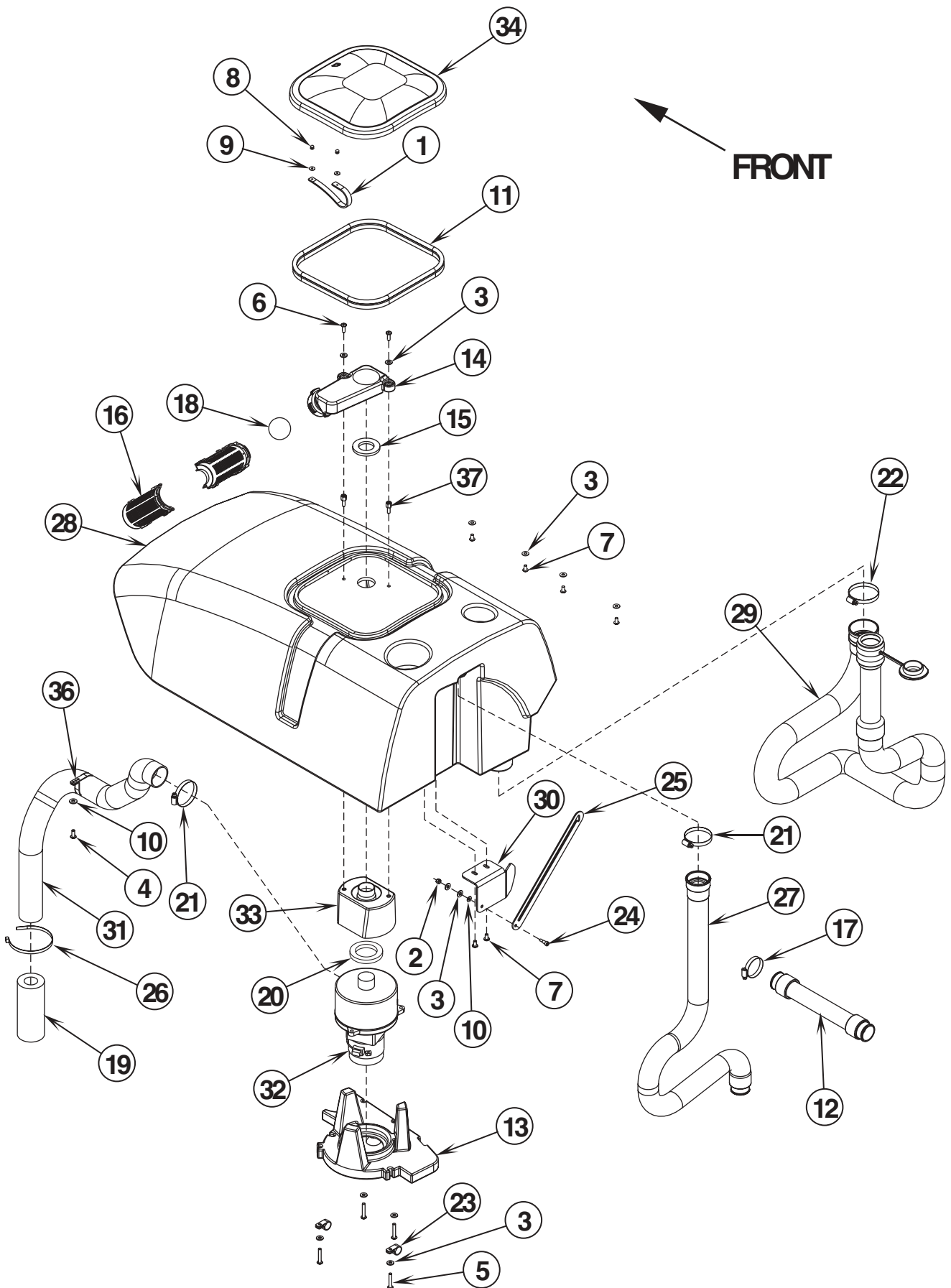
NOTE

| | | | |
|----|----------|---|----------------------------------------|
| 39 | 56412076 | 1 | Solenoid Valve Assembly TSB 787 |
| * | 56324506 | 1 | Viton Seal Kit |
| * | 56324507 | 1 | EPDM Seal Kit |
| 40 | 56900069 | 1 | Barb, 90 Elbow 1/2 x 3/8NPT |
| 41 | 56003403 | 2 | Nut, Hex Nyl Loc M6-1.00 |
| 42 | 56396068 | 1 | Filter Bracket |
| 43 | 56003358 | 2 | Scr, Hex M6-1.00 x 25mm |
| 44 | 56131601 | 2 | Clamp, Hose SAE #16 |
| 45 | 56324249 | 1 | Hose, Spiral .50 |
| 46 | 56219932 | 4 | Clamp, Hose SAE #6 |
| 47 | 56412184 | 2 | Barb, Adapter 1/2 x 1/2NPT |
| 48 | 56412173 | 1 | Solution Filter |
| 49 | 56396180 | 1 | Hose, Spiral .50 |
| 50 | 56409507 | 1 | Barb, Adapter 1/2 x 3/8NPT |

* = Not Shown

NOTE:

ConvertaMAX 28 / I-MAX 28HD before SN1517776
BA 750 before SN1516328
BA 850 before SN1516334

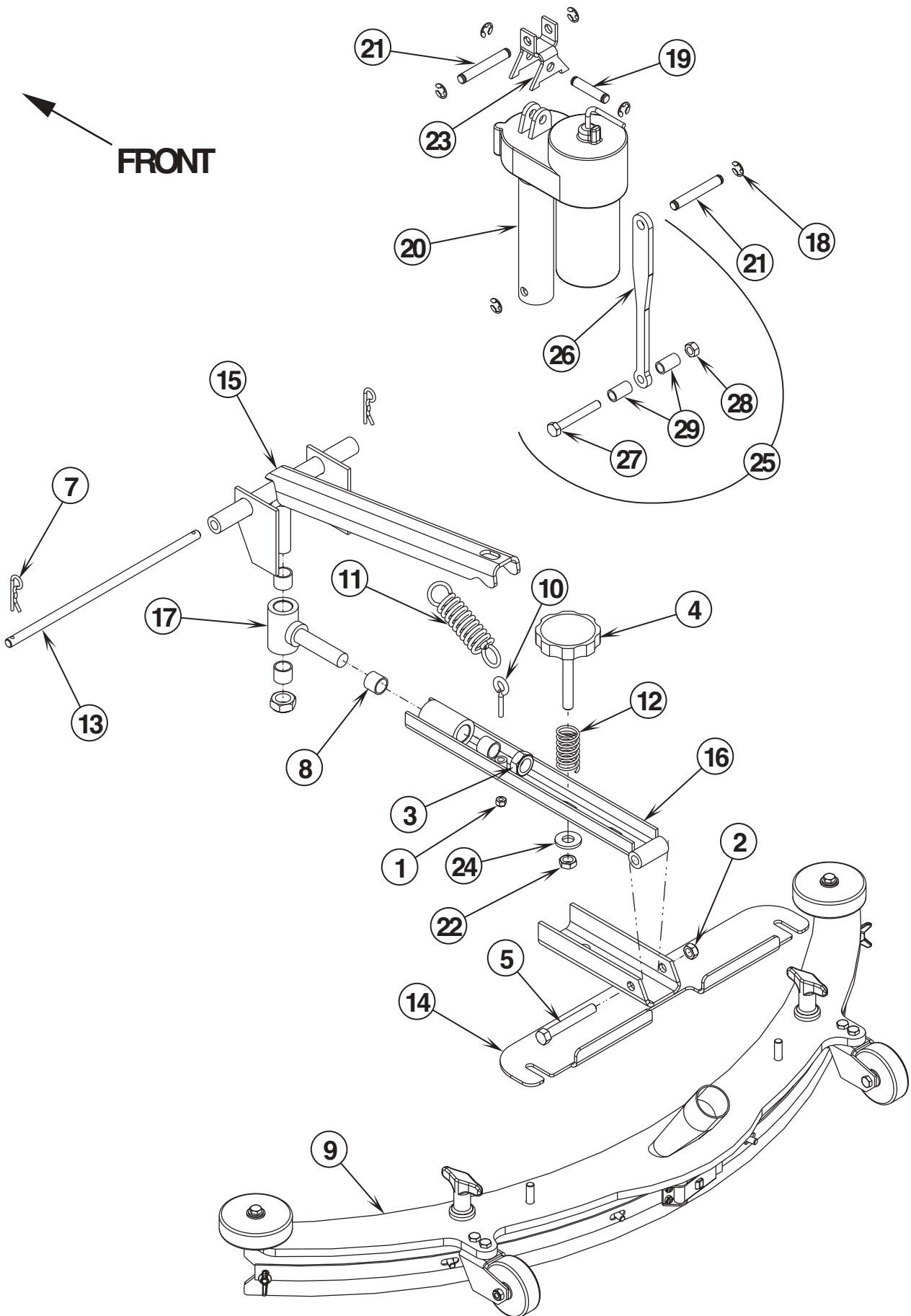


| | | | | |
|-------|------------------------------------------------------|---------------|--------------|-----------|
| 00-1 | RECOVERY SYSTEM | BOOK E | | |
| 01-11 | ConvertaMAX 28 / I-MAX 28HD / BA 750 / BA 850 | E | 5.9.1 | 25 |

| Item | Ref. No. | Qty | Description |
|------|----------|-----|-------------------------------------------------------------------------------------------------------------------------------------------|
| 1 | 56397167 | 1 | Strap, Retaining |
| 2 | 56002768 | 1 | Nut, Hex Nyl Loc 10-24 |
| 3 | 56002859 | 12 | Wsh, Flt SAE SS 1/4 |
| 4 | 56002900 | 1 | Scr, Pan Phil SS 10-24 x .50 |
| 5 | 56002905 | 4 | Scr, Pan Phil SS 1/4-20 x 1.50 |
| 6 | 56003067 | 2 | Scr, Pan Phil SS 1/4-20 x 1.00 |
| 7 | 56003119 | 6 | Scr, Pan Phil SS 1/4-20 x .50 |
| 8 | 56003293 | 2 | Rivet, Pop A/S .125 x .38 / .50 |
| 9 | 56009098 | 2 | Wsh, Flt SS .125 x .50 x .036 |
| 10 | 56009205 | 2 | Wsh, Flt SS #10 |
| 11 | 56397151 | 1 | Gasket |
| 12 | 56262143 | 1 | Hose Assembly |
| 13 | 56302141 | 1 | Vac Motor Duct |
| 14 | 56302142 | 1 | Float Duct |
| 15 | 56302165 | 1 | Gasket |
| 16 | 56324497 | 2 | Cage, Float |
| 17 | 56329145 | 2 | Clamp, Hose SAE #24 |
| 18 | 56391690 | 1 | Ball, Float |
| 19 | 56391807 | 1 | Foam, Acoustical |
| 20 | 56397307 | 1 | Gasket, Vac |
| 21 | 56440213 | 2 | Clamp, Hose SAE #32 |
| 22 | 56456797 | 1 | Clamp, Hose SAE #36 |
| 23 | 56486112 | 2 | Clamp, P |
| 24 | 56003537 | 1 | Scr, Soc Shd .25 x .38 x 10-24 |
| 25 | 56057508 | 1 | Bar, Steel |
| 26 | 56477613 | 1 | Tie, Cable |
| 27 | 56396210 | 1 | Vac Hose Assy (ConvertaMAX™ 28 before SN1402379 / I-MAX™ 28HD before SN1404754) (BA 750 before SN1402428 / BA 850 before SN1431982) |
| | 56396219 | 1 | Vac Hose Assy (ConvertaMAX™ 28 after SN1402378 / I-MAX™ 28HD after SN1404753) (BA 750 after SN1402427 / BA 850 after SN1431981) |
| 28 | 56396224 | 1 | Tank, Recovery NOTE 1 (ConvertaMAX™ 28 / I-MAX 28HD) |
| | 56396223 | 1 | Tank, Recovery NOTE 2 (BA 750 / BA 850) |
| 29 | 56396031 | 1 | Drain Hose |
| 30 | 56396148 | 1 | Bracket, Pivot |
| 31 | 56397040 | 1 | Hose, Vac Exhaust |
| 32 | 56397041 | 1 | Vac Motor Assembly |
| | 56397098 | 1 | Carbon Brush Set |
| 33 | 56397303 | 1 | Spacer, Vac Motor |
| 34 | 56397045 | 1 | Lid |
| 35 | | | Intentionally Omitted |
| 36 | 56397095 | 1 | Clamp, Hose |
| 37 | 56397096 | 2 | Spacer Bolt |

NOTE 1: Recovery Tank **PN 56396224** was implemented at the same time as item 27 Vac Hose Assy. Previous Recovery Tank **PN 56396025** is obsolete. If you have a machine built prior to the serial numbers shown in item 27 and need to replace your recovery tank, order Recovery Tank Kit **PN 56396227** which includes a new Recovery Tank **PN 56396224**, Vac Hose Assy **PN 56396219** and Hose Clamp **PN 56440213**.

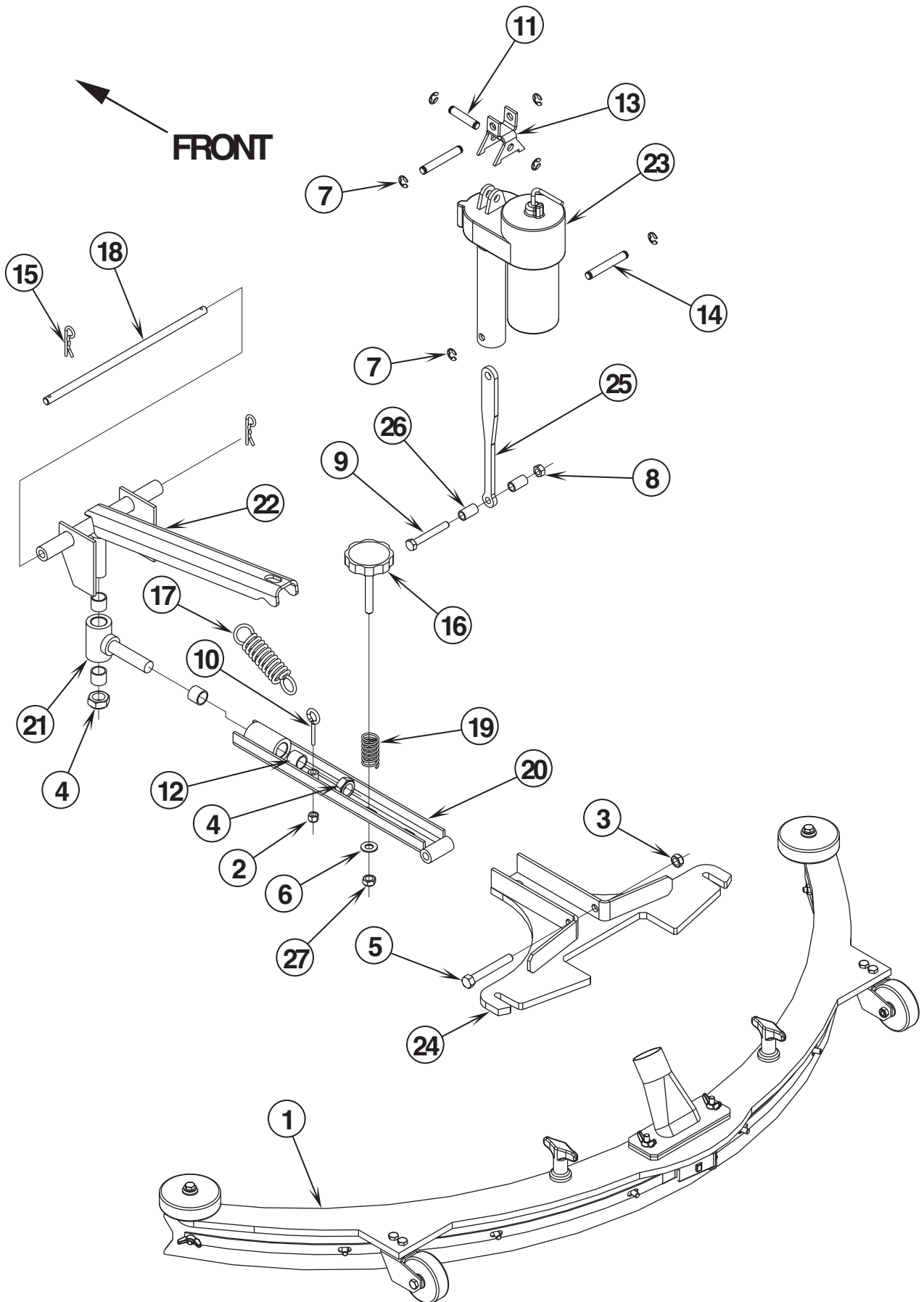
NOTE 2: Recovery Tank **PN 56396223** was implemented at the same time as item 27 Vac Hose Assy. Previous Recovery Tank **PN 56396178** is obsolete. If you have a machine built prior to the serial numbers shown in item 27 and need to replace your recovery tank, order Recovery Tank Kit **PN 56396226** which includes a new Recovery Tank **PN 56396223**, Vac Hose Assy **PN 56396219** and Hose Clamp **PN 56440213**.



| | | | | |
|------|-----------------------------------------------------------------------------------|---------------|--------------|-----------|
| 00-1 | SQUEEGEE SYS (all C-MAX 28, I-MAX 28HD, BA 750 / BA 850 before SN 1477842) | BOOK E | | |
| 01-6 | ConvertaMAX 28 / I-MAX 28HD / BA 750 / BA 850 | E | 5.9.1 | 27 |

| Item | Ref. No. | Qty | Description |
|------|----------|-----|------------------------------------------------------------------------------|
| 1 | 56002708 | 1 | Nut, Hex Nyl Loc 1/4-20 |
| 2 | 56002852 | 1 | Nut, Hex Nyl Loc-Thin SS 3/8-16 |
| 3 | 56002855 | 2 | Nut, Hex Nyl Loc-Thin SS 5/8-11 |
| 4 | 56035163 | 1 | Knob |
| 5 | 56002903 | 1 | Scr, Hex Hd SS 3/8-16 x 2.75 |
| 6 | | | Intentionally Omitted |
| 7 | 56003120 | 2 | Pin, Cotter Hair |
| 8 | 56367389 | 4 | Bearing, Sleeve |
| 9 | 56391281 | 1 | Squeegee Assembly (ConvertaMAX™ 28 / BA 750 / see associated pages) |
| | 56396132 | 1 | Squeegee Assembly (I-MAX™ 28HD / see associated pages) |
| | 56409423 | 1 | Squeegee Assembly (BA 850 / see associated pages) |
| 10 | 56009220 | 1 | Eye Bolt 1/4-20 |
| 11 | 56051136 | 1 | Spring, Ext. |
| 12 | 56056585 | 1 | Spring, Comp. |
| 13 | 56056977 | 1 | Shaft, Steel |
| 14 | 56396053 | 1 | Weldment, Squeegee Mount (ConvertaMAX™ 28 / I-MAX™ 28HD / BA 750) |
| | 56396065 | 1 | Weldment, Squeegee Mount (BA 850) |
| 15 | 56396061 | 1 | Weldment, Squeegee Lift |
| 16 | 56396076 | 1 | Squeegee Bar Weldment |
| 17 | 56396085 | 1 | Squeegee Pivot Weldment |
| 18 | 56003262 | 6 | Ring, Ret Ext Type E .38 Dia. |
| 19 | 56104760 | 1 | Pin |
| 20 | 56412072 | 1 | Actuator, Motor |
| * | 56470433 | 1 | Carbon Brush Set |
| * | 56393790 | 2 | Limit Switch |
| 21 | 56412088 | 2 | Pin |
| 22 | 56002841 | 1 | Nut, Hex Nyl Loc-Thin 3/8-16 |
| 23 | 56392454 | 1 | Yoke, Actuator |
| 24 | 56002063 | 1 | Wsh, Flt SAE 3/8 |
| 25 | 56396217 | 1 | Kit, Squeegee Lift Link (items 26-29) |
| 26 | 56396215 | 1 | Link |
| 27 | 56003464 | 1 | Scr, Hex Hd SS M8-1.25 x 60MM |
| 28 | 56003405 | 1 | Nut, Hex Nyl Loc SS M8 x 1.25 |
| 29 | 56397286 | 2 | Spacer |

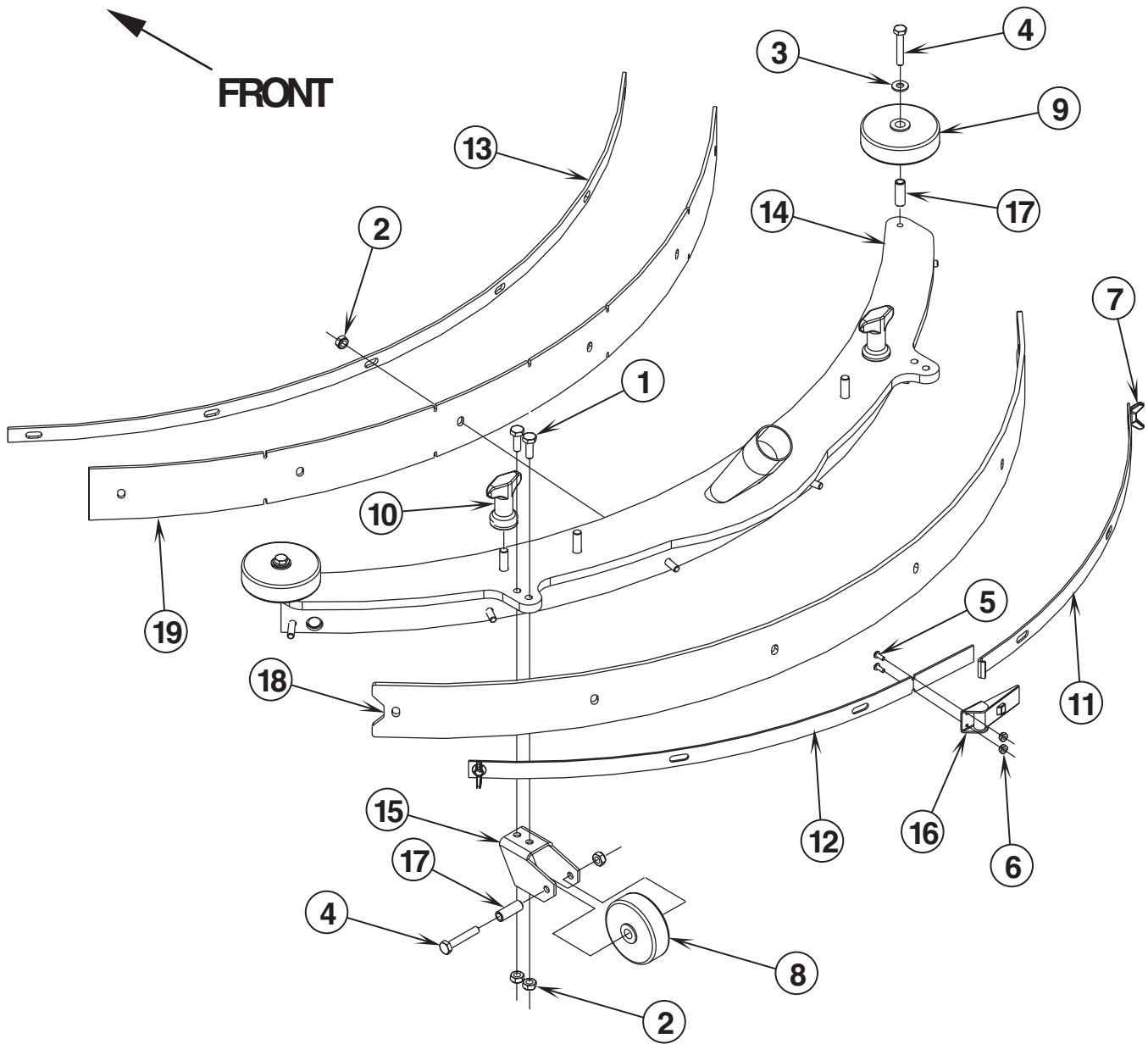
* = Not Shown



| | | | | |
|------|------------------------------------------------------|---------------|--------------|-----------|
| 00-1 | SQUEEGEE SYSTEM (BA 850 after SN 1477841) | BOOK E | | |
| 02-5 | ConvertaMAX 28 / I-MAX 28HD / BA 750 / BA 850 | E | 5.9.1 | 29 |

| Item | Ref. No. | Qty | Description |
|------|----------|-----|--------------------------------------|
| 1 | 56397349 | 1 | Squeegee Assembly |
| 2 | 56002708 | 1 | Nut, Hex Nyl Loc 1/4-20 |
| 3 | 56002852 | 1 | Nut, Hex Nyl Loc-Thin SS 3/8-16 |
| 4 | 56002855 | 2 | Nut, Hex Nyl Loc-Thin SS 5/8-11 |
| 5 | 56002903 | 1 | Scr, Hex Hd SS 3/8-16 x 2.75 |
| 6 | 56002063 | 1 | Wsh, Flt SAE 3/8 |
| 7 | 56003262 | 6 | Ring, Ret Ext Type E 0.38 Dia |
| 8 | 56003405 | 1 | Nut, Hex Nyl Loc SS M8 x 1.25 |
| 9 | 56003464 | 1 | Scr, Hex Hd SS M8-1.25 x 60MM |
| 10 | 56009220 | 1 | Bolt, Eye 1/4-20 x 1.38 |
| 11 | 56104760 | 1 | Pin |
| 12 | 56367389 | 4 | Bearing, Sleeve |
| 13 | 56392454 | 1 | Yoke, Actuator |
| 14 | 56412088 | 2 | Pin |
| 15 | 56003222 | 2 | Pin, Cotter Hair .125 x diam .50/.75 |
| 16 | 56035163 | 1 | Assembly, Knob, Adjustment |
| 17 | 56051136 | 1 | Spring, Ext |
| 18 | 56056977 | 1 | Shaft Stl. |
| 19 | 56056585 | 1 | Compression Spring |
| 20 | 56396076 | 1 | Squeegee Bar Weld't |
| 21 | 56396085 | 1 | Squeegee Pivot Weld't |
| 22 | 56396061 | 1 | Weldment Squeegee Lift-27 |
| 23 | 56412072 | 1 | Actuator, Motor |
| 24 | 56397356 | 1 | Mounting Plate Weldment |
| 25 | 56396215 | 1 | Link |
| 26 | 56397286 | 2 | Spacer |
| 27 | 56002841 | 1 | Nut, Hex Nyl Loc-Thin 3/8-16 |

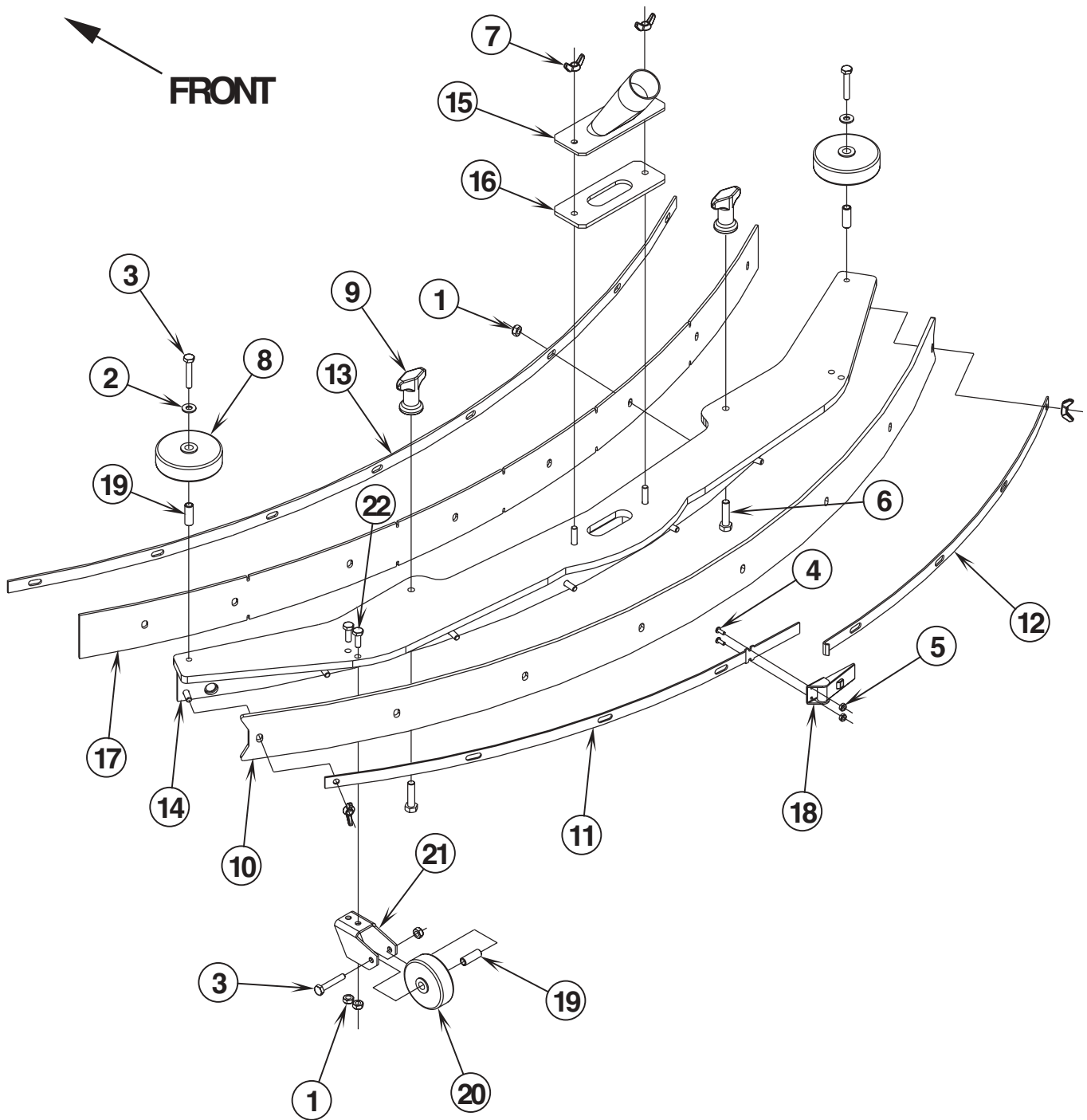
* = Not Shown



| | | | | |
|------|-------------------------------------------------------|---------------|--------------|-----------|
| 00-1 | SQUEEGEE ASSY (C-MAX 28 / I-MAX 28HD / BA 750) | BOOK E | | |
| 01-6 | ConvertaMAX 28 / I-MAX 28HD / BA 750 / BA 850 | E | 5.9.1 | 31 |

| Item | Ref. No. | Qty | Description |
|------|----------|-----|--------------------------------------------------|
| 1 | 56002807 | 4 | Scr, Hex Hd SS 1/4-20 x .75 |
| 2 | 56002850 | 12 | Nut, Hex Nyl Loc-Thin SS 1/4-20 |
| 3 | 56002859 | 2 | Wsh, Flt SAE SS 1/4 |
| 4 | 56002901 | 4 | Scr, Hex Hd SS 1/4-20 x 1.50 |
| 5 | 56002909 | 2 | Scr, Pan Phil SS 6-32 x .38 |
| 6 | 56002964 | 2 | Nut, Hex Nyl Loc-Thin SS 6-32 |
| 7 | 56009048 | 2 | Nut, Wing Loc 1/4-20 |
| 8 | 56324350 | 2 | Wheel |
| 9 | 56324499 | 2 | Wheel 3.00 |
| 10 | 56370711 | 2 | Nut, Thumb |
| 11 | 56391286 | 1 | Strap, Rear Right |
| 12 | 56391288 | 1 | Strap, Rear Left |
| 13 | 56391290 | 1 | Strap, Front |
| 14 | 56391292 | 1 | Tool Weldment |
| 15 | 56409656 | 2 | Bracket, Wheel |
| 16 | 56471194 | 1 | Latch |
| 17 | 56471220 | 4 | Bushing, .25 x .37 x 1.00 |
| 18 | 56391333 | 1 | Blade, Rear (ConvertaMAX™ 28 / BA 750) |
| | 56396130 | 1 | Blade, Rear (I-MAX™ 28HD) |
| 19 | 56391334 | 1 | Blade, Front (ConvertaMAX™ 28 / BA 750) |
| | 56396131 | 1 | Blade, Front (I-MAX™ 28HD) |
| ** | 56391340 | 1 | Standard Blade Kit (Gum Rubber) |
| ** | 56391342 | 1 | Oil Resistant Blade Kit (Neoprene) |
| ** | 56396172 | 1 | Linatex Blade Kit |
| ** | 56397325 | 1 | Blade, Front-Tile Gum |
| ** | 56397326 | 1 | Blade, Front-Tile Linatex |

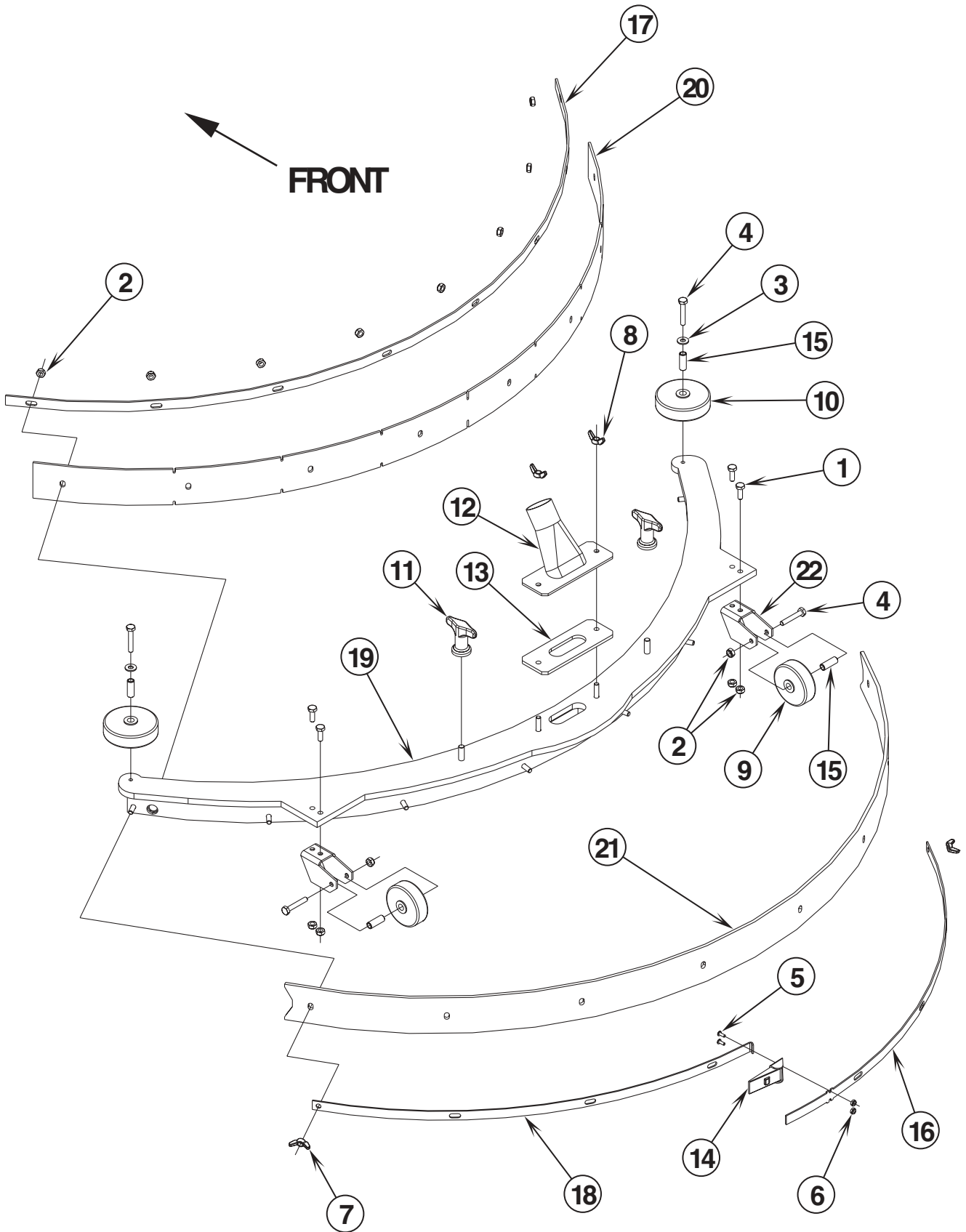
** = Optional



| | | | | |
|------|------------------------------------------------------|---------------|--------------|-----------|
| 00-1 | BA 850 SQUEEGEE ASSY. (before SN 1477842) | BOOK E | | |
| 01-6 | ConvertaMAX 28 / I-MAX 28HD / BA 750 / BA 850 | E | 5.9.1 | 33 |

| Item | Ref. No. | Qty | Description |
|------|----------|-----|---------------------------------------------|
| 1 | 56002850 | 14 | Nut, Hex Nyl Loc-Thin SS 1/4-20 |
| 2 | 56002859 | 2 | Wsh, Flt SAE SS 1/4 |
| 3 | 56002901 | 4 | Scr, Hex Hd SS 1/4-20 x 1.50 |
| 4 | 56002909 | 2 | Scr, Pan Phil SS 6-32 x .38 |
| 5 | 56002964 | 2 | Nut, Hex Nyl Loc-Thin SS 6-32 |
| 6 | 56003302 | 2 | Scr, Hex Thd To Hd SS 5/16-18 x 2.75 |
| 7 | 56009111 | 4 | Nut, Wing SS 1/4-20 |
| 8 | 56324499 | 2 | Wheel 3.00 |
| 9 | 56370711 | 2 | Nut, Thumb |
| 10 | 56409413 | 1 | Blade, Rear |
| 11 | 56409415 | 1 | Strap, Rear Left |
| 12 | 56409416 | 1 | Strap, Rear Right |
| 13 | 56409417 | 1 | Strap, Front |
| 14 | 56409422 | 1 | Tool Weldment |
| 15 | 56409425 | 1 | Tube Weldment |
| 16 | 56409426 | 1 | Gasket |
| 17 | 56409627 | 1 | Blade, Front |
| 18 | 56471194 | 1 | Latch |
| 19 | 56471220 | 4 | Bushing |
| 20 | 56324350 | 2 | Wheel |
| 21 | 56409421 | 2 | Bracket, Wheel |
| 22 | 56002807 | 4 | Scr, Hex Hd SS 1/4-20 x .75 |
| ** | 56409429 | 1 | Standard Blade Kit (Gum Rubber) |
| ** | 56409430 | 1 | Oil Resistant Blade Kit (Neoprene) |
| ** | 56396173 | 1 | Linatex Blade Kit |
| ** | 56397327 | 1 | Blade, Front-Tile Gum |
| ** | 56397328 | 1 | Blade, Front-Tile Linatex |

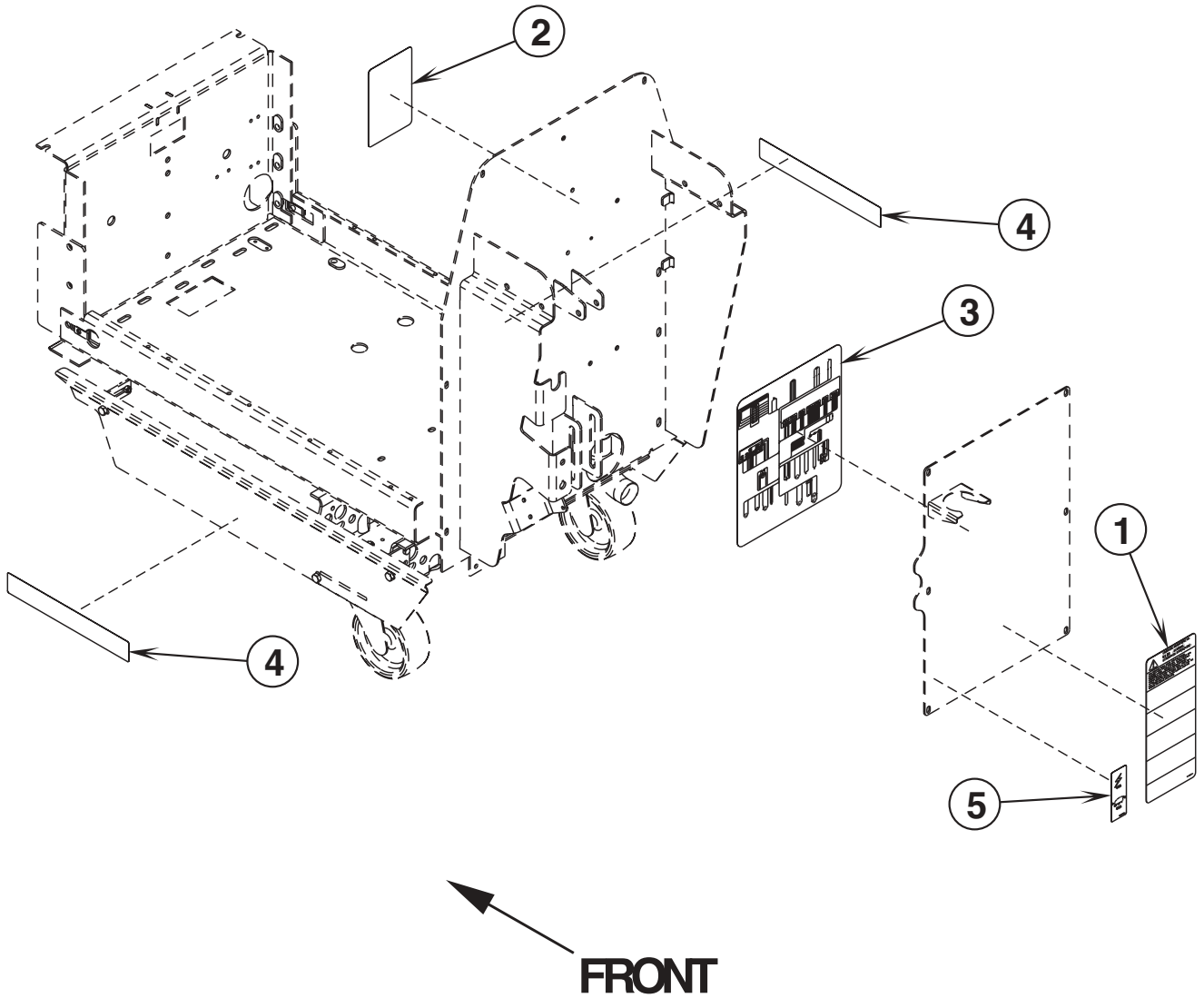
** = Optional



| | | | | |
|------|------------------------------------------------------|---------------|--------------|-----------|
| 00-1 | BA 850 SQUEEGEE ASSY. (after SN 1477841) | BOOK E | | |
| 02-3 | ConvertaMAX 28 / I-MAX 28HD / BA 750 / BA 850 | E | 5.9.1 | 35 |

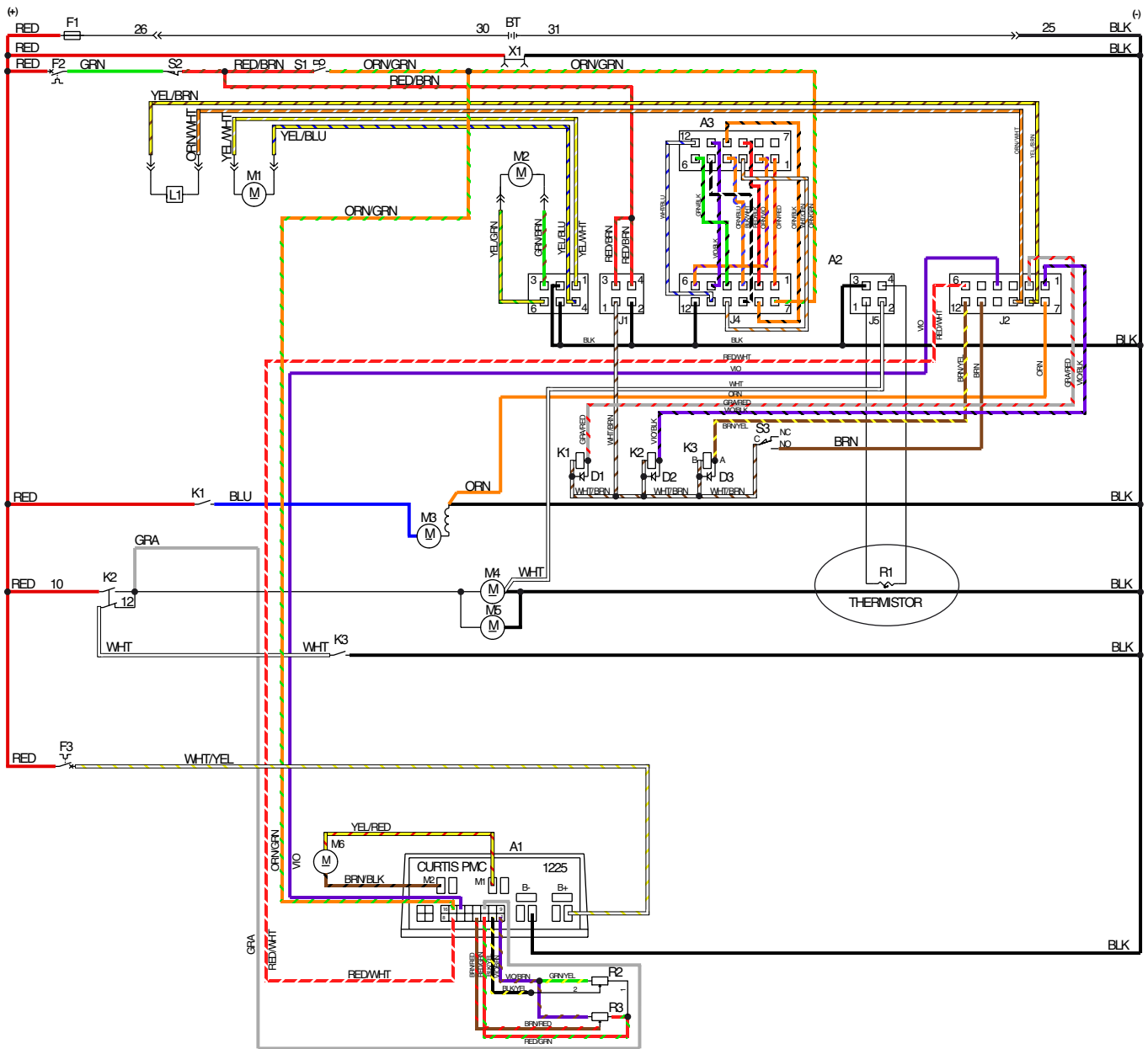
| Item | Ref. No. | Qty | Description |
|------|----------|-----|------------------------------------------------------|
| 1 | 56002807 | 4 | Scr, Hex Hd SS 1/4-20 x .75 |
| 2 | 56002850 | 14 | Nut, Hex Nyl Loc-Thin SS 1/4-20 |
| 3 | 56002859 | 2 | Wsh, Flt SAE SS 1/4 |
| 4 | 56002901 | 4 | Scr, Hex Hd SS 1/4-20 x 1.50 |
| 5 | 56002909 | 2 | Scr, Pan Phil SS 6-32 x .38 |
| 6 | 56002964 | 2 | Nut, Hex Nyl Loc-Thin SS 6-32 |
| 7 | 56009048 | 2 | Nut, Wing Loc 1/4-20 |
| 8 | 56009111 | 2 | Nut, Wing SS 1/4-20 |
| 9 | 56324350 | 2 | Wheel |
| 10 | 56324499 | 2 | Wheel 3.00 |
| 11 | 56370711 | 2 | Nut, Thumb |
| 12 | 56409425 | 1 | Tube Weldment |
| 13 | 56409426 | 1 | Gasket |
| 14 | 56471194 | 1 | Latch Assembly |
| 15 | 56471220 | 4 | Bushing .25 x .37 x 1.0 |
| 16 | 56397353 | 1 | Strap, Rear |
| 17 | 56397354 | 1 | Strap, Front |
| 18 | 56397355 | 1 | Strap, Rear |
| 19 | 56397359 | 1 | Squeegee Tool Weldment |
| 20 | 56397362 | 1 | Blade, Front |
| 21 | 56397363 | 1 | Blade, Rear |
| 22 | 56409656 | 2 | Bracket, Wheel |
| ** | 56397094 | 1 | Blade Kit Gum (contains one 56397363 & 56397362) |
| ** | 56397106 | 1 | Blade Kit Linatex (contains one 56397091 & 56397089) |
| ** | 56397147 | 1 | Blade, Front-Tile Gum |
| ** | 56397148 | 1 | Blade, Front-Tile Linatex |
| ** | 56397595 | 1 | Blade Kit - Oil Resistance |

** = Optional



| | | | | |
|------|------------------------------------------------------|---------------|--------------|-----------|
| 00-1 | DECAL SYSTEM | BOOK E | | |
| 01-6 | ConvertaMAX 28 / I-MAX 28HD / BA 750 / BA 850 | E | 5.9.1 | 37 |

| Item | Ref. No. | Qty | Description |
|------|----------|-----|--------------------------------------------------|
| 1 | 56014601 | 1 | Decal, Caution |
| 2 | 56016486 | 1 | Decal, Battery Wiring |
| 3 | 56016487 | 1 | Decal, Electrical Schematic |
| 4 | 56016488 | 2 | Decal, ConvertaMAX 28 (ConvertaMAX™ 28) |
| | 56016489 | 2 | Decal, I-MAX 28HD (I-MAX™ 28HD) |
| | 56016490 | 2 | Decal, BA750 (BA750) |
| | 56016491 | 2 | Decal, BA850 (BA850) |
| 5 | 56016666 | 1 | Decal, Circuit Breaker |



| | | | | |
|-------|------------------------------------------------------|---------------|--------------|-----------|
| 00-1 | ELECTRICAL DIAGRAM | BOOK E | | |
| 01-11 | ConvertaMAX 28 / I-MAX 28HD / BA 750 / BA 850 | E | 5.9.1 | 39 |

| Item | Ref. No. | Qty | Description | Item | Ref. No. | Qty | Description |
|------|----------|-----|--------------------------------------------------------------------------------|---------------|----------|-----|----------------------------------------------------|
| A1 | 56396185 | 1 | Controller, 24V | X1 | 56396187 | 1 | Charge Connector Assy |
| A2 | 56396156 | 1 | Control Assy NOTE #1 / TSB 793 | 10 | 56396194 | 1 | Cable Assembly 4 AWG |
| | 56396009 | 1 | Control Assy NOTE #2 / TSB 793 | 12 | 56396193 | 1 | Cable Assembly 4 AWG |
| A3 | 56396161 | 1 | Display Panel Assembly | * | 56396192 | 1 | Harness, Handle Wiring TSB 737 |
| BT | N/A | | Battery (24V system) | * | 56396183 | 1 | Harness, Main Wiring |
| D1 | 56389265 | 1 | Diode | * | 56372673 | 8 | Boot, Battery Post |
| D2 | 56389265 | 1 | Diode | * | 56416445 | 3 | Cable Assembly (Battery Cables) |
| D3 | | 1 | Diode | * | 56398090 | 8 | Terminal Clamp Battery |
| | | | | * | 56396203 | 1 | Connector Assembly (Connected to Machine) |
| F1 | 56412089 | 1 | Fuse, 150 Amp | 25 | 56448770 | 29" | Cable, BLK |
| F2 | 56387316 | 1 | Circuit Breaker 10 Amp (Control Circuit) | 26 | 56900811 | 26" | Cable, RED |
| F3 | 56452193 | 1 | Circuit Breaker 40 Amp (Wheel Drive) | * | 56100621 | 1 | Connector Housing |
| K1 | 56412179 | 1 | Contactor, 24 VDC (Vac Motor) | * | 56100686 | 2 | #1 Contact |
| K2 | 56397088 | 1 | Contactor, 24V, SPDT (Brush Motor) | * | 56420052 | 2 | Terminal Ring |
| K3 | 56396038 | 1 | Relay, SPST, 24V (Brush Remove) TSB 776 | * | 56396202 | 1 | Connector Assembly (Connect to Batteries) |
| L1 | 56412076 | 1 | Solenoid Valve NOTE #1 / TSB 787 | 30 | 56900811 | 31" | Cable, RED |
| * | 56324506 | 1 | Viton Seal Kit | 31 | 56448770 | 31" | Cable, BLK |
| * | 56324507 | 1 | EPDM Seal Kit | * | 56100621 | 1 | Connector Housing |
| | 56397203 | 1 | Solenoid Valve NOTE #2 / TSB 787 | * | 56100685 | 2 | #1 Contact |
| | | | | * | 56478617 | 2 | Terminal Ring |
| M1 | 56393303 | 1 | Actuator, Motor (Brush Lift) | * = Not Shown | | | |
| * | 56470433 | 1 | Carbon Brush Set | | | | |
| * | 56393790 | 2 | Limit Switch | | | | |
| * | 56388520 | 1 | Plastic Drive Nut | | | | |
| M2 | 56412072 | 1 | Actuator, Motor (Squeegee Lift) | | | | |
| * | 56470433 | 1 | Carbon Brush Set | | | | |
| * | 56393790 | 2 | Limit Switch | | | | |
| M3 | 56397041 | 1 | Vac Motor Assembly | | | | |
| * | 56397098 | 1 | Carbon Brush Set | | | | |
| M4 | 56027153 | 1 | Motor and Gear Unit, 24V (3/4 HP) (ConvertaMAX™ 28 / BA 750 / BA 850) | | | | |
| | 56397079 | 1 | Motor and Gear Unit, 24V (1 HP) (I-MAX™ 28HD) | | | | |
| M5 | 56027153 | 1 | Motor and Gear Unit, 24V (3/4 HP) (ConvertaMAX™ 28 / BA 750 / BA 850) | | | | |
| | 56397079 | 1 | Motor and Gear Unit, 24V (1 HP) (I-MAX™ 28HD) | | | | |
| M6 | 56396209 | 1 | Motor and Gear Unit, 24V (Wheel Drive) | | | | |
| R1 | | 1 | Thermistor (part of Cable Assy 56396184) | | | | |
| R2 | 56396197 | 1 | Potentiometer, 100K (Speed Control) | | | | |
| R3 | 56397029 | 1 | Potentiometer, 5K (Forward / Reverse) | | | | |
| S1 | 56396188 | 1 | Switch, Key | | | | |
| S2 | 56462362 | 1 | Switch (Charger Interlock) | | | | |
| S3 | 56263174 | 1 | Switch, Snap SPDT (Squeegee Reverse) | | | | |

NOTE #1:

ConvertaMAX 28 / I-MAX 28HD before SN1517776

BA 750 before SN1516328

BA 850 before SN1516334

NOTE #2:

ConvertaMAX 28 / I-MAX 28HD after SN1517775

BA 750 after SN1516327

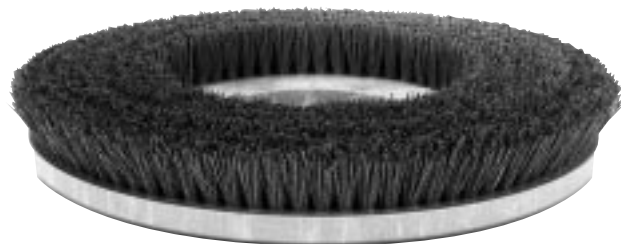
BA 850 after SN1516333

We manufacture brushes and pad holders that will give you the best possible performance between machine and floor. Following are descriptions of the materials and their applications when used on the BA750 / BA850.

- Union Mix:** Medium grade natural fibers for polishing finished floors with standard-speed equipment. Recommended for use in place of white pads.
- ProLite:** Bristles are made from light-duty polypropylene for general scrubbing when you do not want to scratch or remove finish from the floor. Recommended for use in place of red pads.
- Prolene:** Polypropylene material for medium-duty scrubbing on concrete, terrazzo and vinyl floor tile. Recommended for use in place of green or blue pads.
- Magna Grit:** For extreme heavy-duty scrubbing or stripping of floors. This brush has extra large diameter silicon carbide grit impregnated synthetic bristles. Recommended for use in place of black pads.
- Dyna Grit:** For aggressive, heavy-duty scrubbing or stripping of floors. Recommended for use in place of brown pads.
- MidLite Grit:** For general purpose scrubbing of sealed or unsealed concrete, stone, terrazzo, quarry tile and other resilient hard floor surfaces. Recommended for use in place of green or blue pads.
- MidGrit:** For general purpose scrubbing when you need a lighter action for sealed or unsealed concrete, stone, terrazzo, quarry tile and other resilient hard floor surfaces. Recommended for use in place of green or blue pads.
- AgLite Grit:** For light scrubbing when used wet; buffing or polishing when used dry on urethane coated, sealed concrete or other resilient hard surface floors. Recommended for use in place of red or white pads.
- Short Trim Pad Holder:** Made with a structural foam block and center ring for correct pad centering. It has a "shower feed" design for getting solution to the floor.

- Ref. No.:** **BA750 BRUSHES**
 56505770 - Pad Holder
 56505771 - Magna Grit
 56505772 - Dyna Grit
 56505773 - AgLite Grit
 56505774 - Prolene
 56505775 - ProLite
 56505776 - Union Mix
 56505777 - Mid Grit
 56505778 - MidLite Grit

- Ref. No.:** **BA850 BRUSHES**
 56505780 - Pad Holder
 56505781 - Magna Grit
 56505782 - Dyna Grit
 56505783 - AgLite Grit
 56505784 - Prolene
 56505785 - ProLite
 56505786 - Union Mix
 56505787 - Mid Grit
 56505788 - MidLite Grit



DANMARK

Nilfisk-Advance Nordic A/S
Sognevej 25 - Box 344
DK-2605 Broendby
☎ 43 23 83 50 – Fax 43 42 15 95

NORGE

Nilfisk-Advance AS
Enebakkvn, 119, 0680 Oslo, Postboks 196, Manglerud,
0612 Oslo
☎ 22 08 63 50 – Fax 22 08 63 63
Distriktsrepresentanter over hele landet

SVERIGE

Nilfisk-Advance AB
Sjöbjörnsvägen 5, 117 67 Stockholm
☎ 085 55 944 00 – Fax 085 55 944 30

FINLAND/ SUOMI

BERNER Ltd. Facotek Department
Etäläranta 4B, 00130 Helsinki
☎ +358 9 1345 1382

AUSTRALIA

Nilfisk-Advance Pty. Ltd.
ACN 003 762 623
Head office: 17 Leeds Street, Rhodes, N. S. W. 2138
☎ (02) 9736 1244 – Fax (02) 9736 3910
Customer Responce Centre:
☎ 1 800 011 013

BELGIQUE / BELGIË/ LUXEMBOURG

Nilfisk-Advance s.a./n.v.
Doornveld/ Sphere Business Park
Industrie Asse 3, nr 11 – bus 41
1731 Zellik-Asse
☎ (02) 467.60.50 Fax (02) 463.44.16

CANADA

Nilfisk-Advance Ltd.
396 Watline Avenue
Mississauga, Ontario L4Z 1X
☎ (905) 712-3260 – Fax (905) 712-3255

DEUTSCHLAND

Nilfisk-Advance AG
Siemensstraße 25-27
25462 Rellingen
☎ (041 01) 3990 – Fax (04101) 399191
Zentraler Kundenservice
☎ für die Industrie: 0180 535 67 97
☎ Institutionen und Gebäudereiniger: 0180 500 11 70

FRANCE

Nilfisk-Advance S.A.
BP 246
91944 Courtaboeuf Cedex
☎ (01) 69.59.87.00 Télécopie (01) 69.59.87.01

HONG KONG

Nilfisk-Advance Ltd.
2001, 20/F HK Worsted Mills
Industrial Building
31-39 Wo Tong Tsui Street
Kwai Chung, N.T.
☎ 2427 59 51 – Fax 2487 5828

IRELAND

Nilfisk-Advance Ltd.
28 Sandyford Office Park
Dublin 18
☎ +353 1 2943838 – Fax +353 1 2943845

JAPAN

Nilfisk-Advance Inc.
3-4-9 Chigasaki Minami
Tsuzuki-Ku Yokohama 224
☎ 045-942-7741 – Fax 045-942-6545

MALAYSIA

Nilfisk-Advance Sdn Bhd
Lot 2, 1st. Floor
Lorong 19/1A
46300 Petaling Jaya
Selangor Darul Ehsan
☎ 03-7568188 /03-7568189 /03-7568388 – Fax 03-7566828

NEDERLAND

Nilfisk-Advance B.V.
Flevolaan 7, Postbus 341
1380 AH Weesp
☎ 0294-462121 – Fax 0294-430053

NEW ZEALAND

Nilfisk-Advance Limited
477 Great South Road, Penrose
Auckland
☎ (09) 525 0092 – Fax (09) 525 6440

SCHWEIZ / SUISSE

Nilfisk-Advance AG
Ringstrasse 19, 9533 Kirchberg/Wil
☎ 719 23 52 83 – Fax 719 23 84 44

SINGAPORE

Nilisk-Advance Pte. Ltd.
22, Woodlands Industrial Park E1
Singapore 757740
☎ (65) 759 9100 – Fax (65) 759 9133

TAIWAN

Nilfisk-Advance Ltd.
1 F, No.23, Lane 132, Sec. 2
Ta An Road, Taipei
☎ 700 22 68 – Fax 784 08 43

UNITED KINGDOM

Nilfisk-Advance Limited
Newmarket Road
Bury St. Edmunds
Suffolk IP 33 3SR
☎ (01284) 763163 – Fax (01284) 750562

USA

Nilfisk-Advance Inc.
14600 21st Avenue North
Plymouth, MN 55447-3408
☎ +1 800 989 2235 – Fax 1 800 989 6566

Nilfisk-Advance of America, Inc.

300 Technology Drive
Malvern, PA 19355
☎ (610) 647 647-6427

ÖSTERREICH

Nilfisk-Advance GmbH
Vorarlberg Allee 46
1230 Wien
☎ 1 616 58 30 – Fax 1 616 58 30 40

ESPAÑA

Nilfisk-Advance, S.A.
Torre D'Ara
Passeig del Rengle, 5 Pl.9-10
E-08302 – Mataró (Barcelona)
☎ Tel. 93 741 24 00 – Fax: 93 757 80 20
Central atención al cliente: 902 200 201
nilfisk@nilfisk-advance.es – www.nilfisk-advance.com
Distribuidores y Servicio Técnico en toda España y Andorra

ITALIA

Nilfisk-Advance Italia Spa
Località Novella Terza
26862 Guardamiglio (LO)
Italy
☎ +39 0377 414067-54 – Fax +39 0377 414097
www.nilfisk-advance.com

PORTUGAL

Nilfisk-Advance Lda.
Rua Cândido de Figueiredo, 91-i, 1500-133 LISBOA
☎ 01/7784142 – Fax 01/7785613
Porto 02/526766 – Fax 02/520739
Açores 096/628092/3 – Fax 096/628129
Madeira 091/228965 – Fax 091/228796

GREECE

Embiom S.A.
Λεωφ. Βουλιαγμένης 60
Αργυρούπολη
164 52 Αθήνα
☎ 9950613 - Fax 9951680



**Nilfisk
Advance**
setting standards

Material composition of the Nilfisk BA750/850

