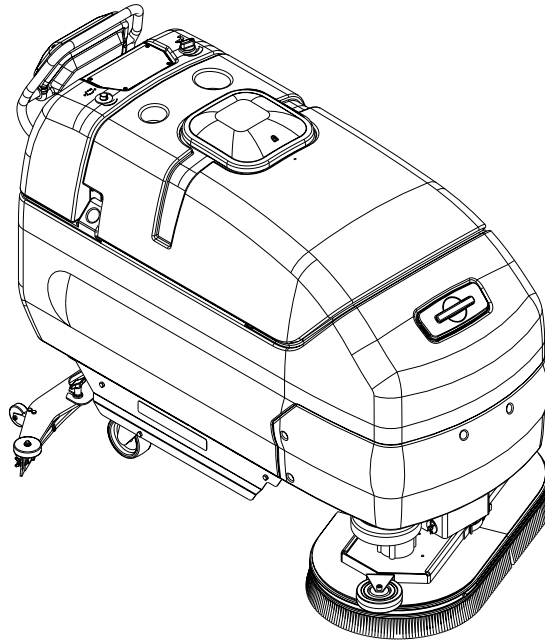


# ConvertaMAX™ 34

---

## I-MAX™ 34HD



### **PARTS LIST**

**Advance MODELS 56397200, 56397201**

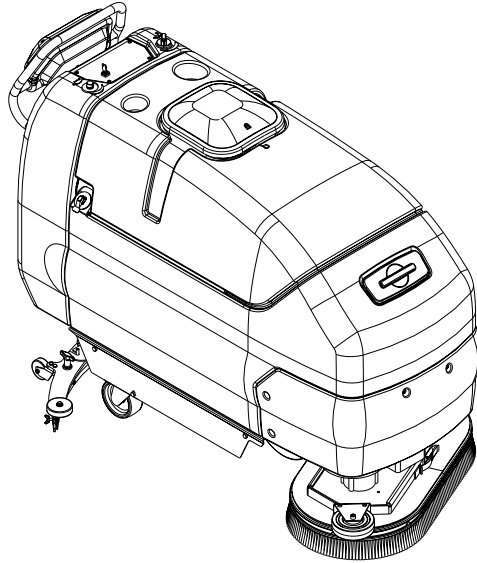
**All models covered in this manual are OBSOLETE.**

**ConvertaMAX 34 before SN1593244 / I-MAX 34HD before SN1593246**



**Advance**  
*by Nilfisk-Advance*

3/00 revised 9/02 FORM NO. 56042398

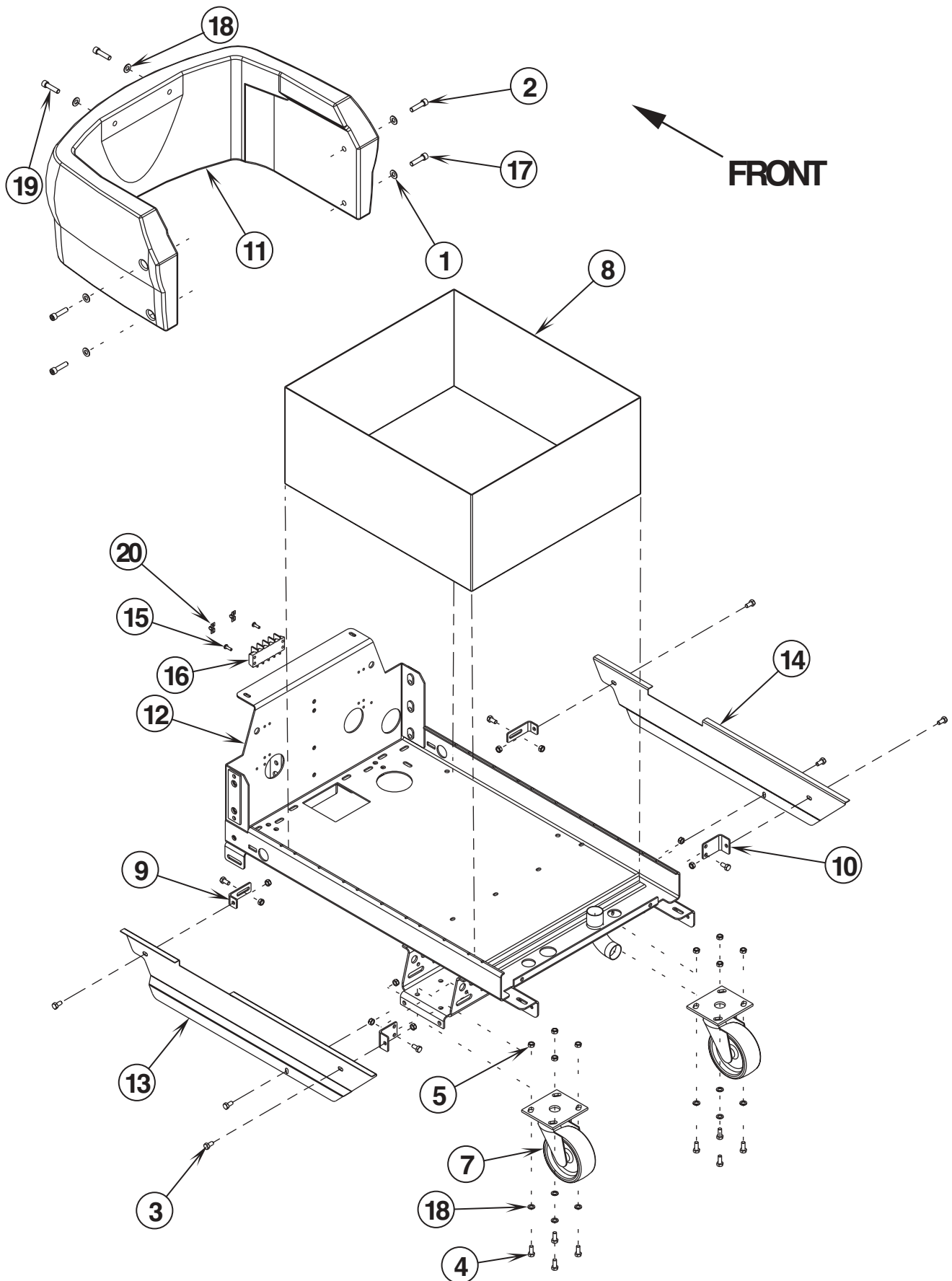


<u>DESCRIPTION</u>	<u>PAGE</u>
CONVERTAMAX™ 34 CHASSIS SYSTEM .....	2-3
I-MAX™ 34HD CHASSIS SYSTEM .....	4-5
CONTROL HANDLE SYSTEM .....	6-7
HANDLE PADDLE ASSEMBLY .....	8-9
DRIVE WHEEL SYSTEM .....	10-11
SCRUB SYSTEM .....	12-13
SKIRT ASSEMBLIES .....	14-15
SOLUTION SYSTEM .....	16-17
RECOVERY SYSTEM .....	18-19
SQUEEGEE SYSTEM (before SN 1477842) .....	20-21
SQUEEGEE ASSEMBLY (before SN 1477842) .....	22-23
SQUEEGEE SYSTEM (after SN 1477841) .....	24-25
SQUEEGEE ASSEMBLY (after SN 1477841) .....	26-27
DECAL SYSTEM .....	28-29
WIRING DIAGRAM .....	30-31

#### WHEN ORDERING PARTS

- \* Use the 8 digit numbers from the "Ref. No." columns in this parts list.
- \* Specify the model and serial number of the machine.
- \* Use the space below to record the model and serial number for future reference.

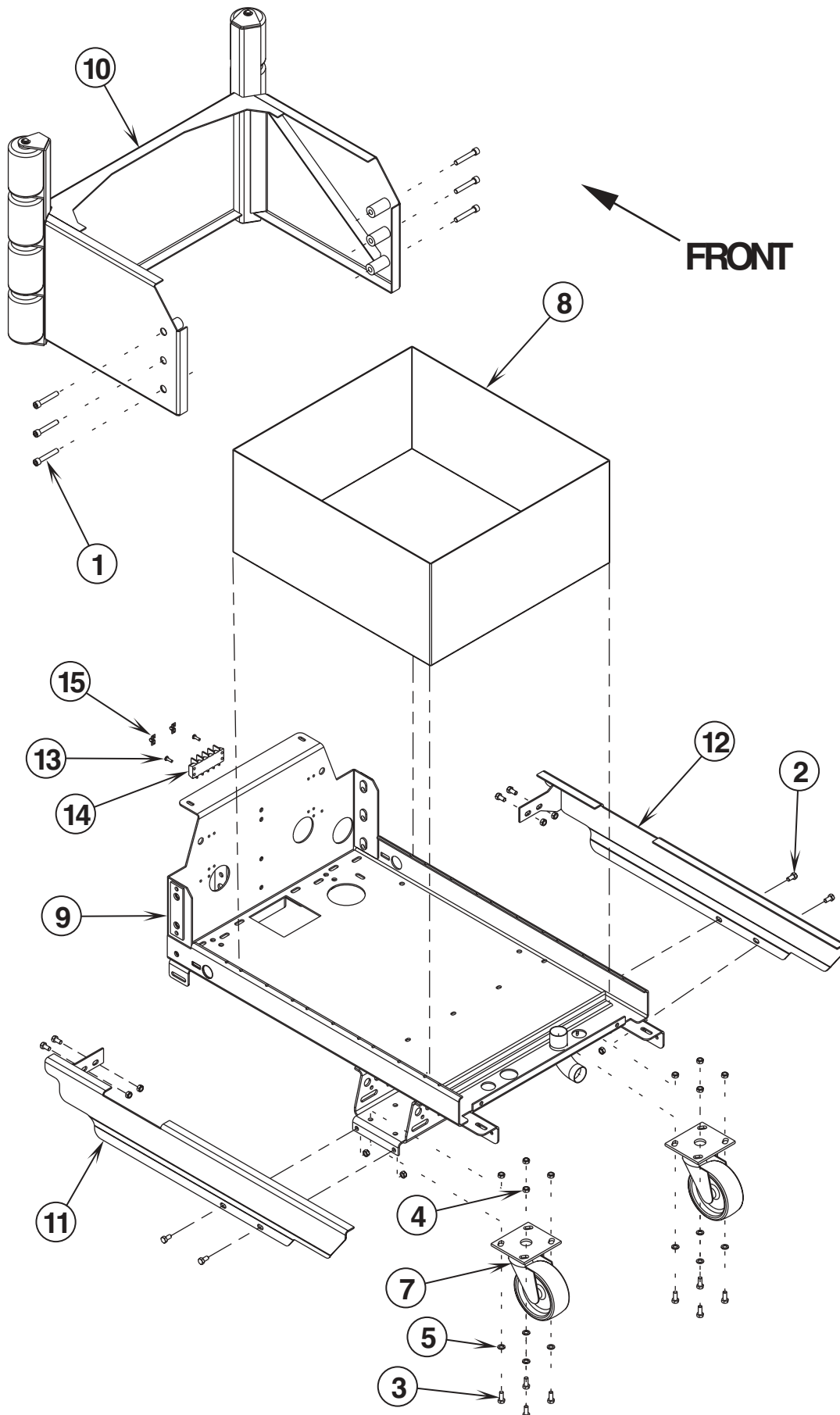
Model \_\_\_\_\_ Serial No. \_\_\_\_\_



00-3	<b>ConvertaMAX™ 34 CHASSIS SYSTEM</b>		
00-10	<b>ConvertaMAX™ 34 / I-MAX™ 34HD</b>		<b>3</b>

Item	Ref. No.	Qty	Description
1	56002063	4	Wsh, Flt SAE 3/8
2	56002316	2	Scr, Soc Hd 3/8-16 x 1.50
3	56003178	10	Scr, Hex M8-1.25 x 16mm
4	56003179	8	Scr, Hex Thd To Hd M8-1.25 x 20mm
5	56003389	18	Nut, Hex Nyl Loc M8-1.25
6			<b>Intentionally Omitted</b>
7	56440450	2	Caster, Swivel
**	56440451	2	Caster, Swivel Neoprene
8	56053534	1	Box, Batteries
9	56396116	2	Clip, Slotted
10	56396117	2	Clip
11	56397221	1	Cover, Front
12	56397234	1	Upper Chassis Weld't
13	56397281	1	Skirt, LH
14	56397282	1	Skirt, RH
15	56009042	2	Scr, Pan Phil Thd Form 10-24 x .62
16	56026111	1	Term. Block, 4 Term. 50 Amp
17	56002133	2	Scr, Soc Hd 3/8-16 x 2.00
18	56001939	10	Wsh, Flt SAE 5/16
19	56002201	2	Scr, Soc Hd 5/16-18 x 1.50
20	56397184	2	Plate, Jumper

\*\* = Optional



00-3	<b>I-MAX™ 34HD CHASSIS SYSTEM</b>		
01-6	<b>ConvertaMAX™ 34 / I-MAX™ 34HD</b>		<b>5</b>

Item	Ref. No.	Qty	Description
1	56002134	6	Scr, Soc Hd 3/8-16 x 2.25
2	56003178	8	Scr, Hex M8-1.25 x 16mm
3	56003179	8	Scr, Hex Thd To Hd M8-1.25 x 20mm
4	56003389	16	Nut, Hex Nyl Loc M8-1.25
5	56001939	8	Wsh, Flt SAE 5/16
6			<b>Intentionally Omitted</b>
7	56440450	2	Caster, Swivel
**	56440451	2	Caster, Swivel Neoprene
8	56053534	1	Box, Batteries
9	56397234	1	Upper Chassis Weld't
10	56397239	1	Assembly, Bumper Industrial
*	56397245	1	Weldment, Bumper Industrial
*	56392809	2	Rod
*	56392102	8	Roller
*	56009097	2	Nut, Push Cap 1/2
*	56003264	2	Ring, Ret Ext Type E .50 Dia
11	56397262	1	Left Side Weld't
12	56397264	1	Right Side Weld't
13	56009042	2	Scr, Pan Phil Thd Form 10-24 x .62
14	56026111	1	Term. Block, 4 Term. 50 Amp
15	56397184	2	Plate, Jumper
**	56397368	1	Industrial Side Panel Kit

\* = Not Shown

\*\* = Optional

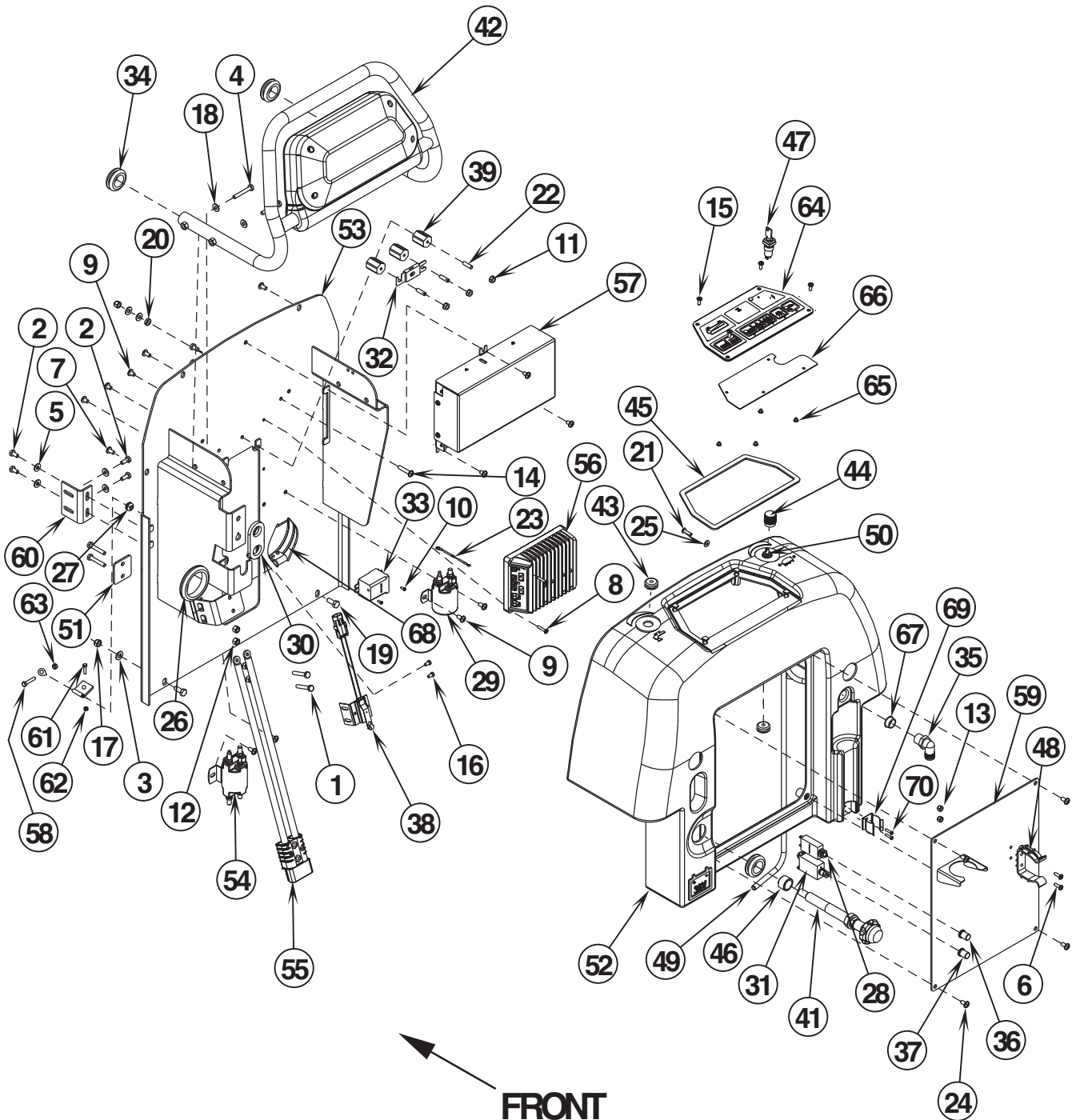
**CONTROL HANDLE SYSTEM**

00-3

6

**ConvertaMAX™ 34 / I-MAX™ 34HD**

02-3



00-3	<b>CONTROL HANDLE SYSTEM</b>			
02-3	<b>ConvertaMAX™ 34 / I-MAX™ 34HD</b>			<b>7</b>

Item	Ref. No.	Qty	Description	Item	Ref. No.	Qty	Description
1	56001833	4	Scr, Hex Hd 1/4-20 x 1.50	42	56396147	1	Paddle, Handle Assy <b>(see associated pages)</b>
2	56001836	8	Scr, Hex Hd 1/4-20 x .62	43	56396149	1	Grommet
3	56001939	2	Wsh, Flt SAE 5/16	44	56056596	1	Knob
4	56001967	4	Scr, Hex Hd 1/4-20 x 1.75	45	56396151	1	Gasket
5	56002098	10	Wsh, Flt SAE 1/4	46	56396177	1	Spacer
6	56002124	2	Scr, Pan Phil 10-24 x .62	47	56396188	1	Switch, Key
7	56002145	4	Scr, Pan Phil 1/4-20 x .50	*	56396189	A/R	Replacement Key
8	56001860	2	Scr, Pan Phil 8-32 x .75	48	56396199	1	Clamp, Plastic
9	56002462	10	Scr, Pan Phil 1/4-20 x .38	49	56396204	1	Hose, PVC 1/4 x 3/8 x 48
10	56002539	2	Scr, Pan Phil Thd Form 6-32 x .31	50	56396197	1	Potentiometer, 100K <b>(Speed Control)</b>
11	56002561	3	Nut, Hex W/SHPRF 1/4-20	51	56397189	1	Spacer
12	56002708	4	Nut, Hex Nyl Loc 1/4-20	52	56397222	1	Cover, Rear
13	56002768	2	Nut, Hex Nyl Loc 10-24	53	56397232	1	Weldment, Back Panel
14	56002825	1	Scr, Pan Phil 1/4-20 x 1.25	54	56397250	1	Solenoid, SPDT 36V <b>(Brush Motor)</b>
15	56002831	4	Scr, Pan Phil Blk 10-24 x .50	55	56397251	1	Assy, Charger Plug
16	56002834	2	Scr, Hex Hd 10-24 x .38	56	56397252	1	Controller, 36V
17	56002851	2	Nut, Hex Nyl Loc-Thin SS 5/16-18	57	56397255	1	Control Box Assy <b>(before SN1515053) TSB 793</b>
18	56002859	4	Wsh, Flt SAE SS 1/4				
19	56002956	2	Scr, Hex Hd Loc 5/16-18 x .75				
20	56002840	3	Nut, Hex Nyl Loc-Thin 1/4-20	56397211	1	Control Box Assy <b>(after SN1515052) TSB 793</b>	
21	56009005	1	Scr, Pan Phil SS Type B 10-16 x .75				
22	56009203	3	Stud, 1/4-20	58	56003174	1	Scr, Hex Thd To Hd M6-1.00 x 16mm
23	56389265	2	Rectifier	59	56397283	1	Weldment, Panel Rear
24	56009069	4	Scr, Pan Phil Loc 1/4-20 x .50	60	56397291	2	Bracket
25	56009205	1	Wsh, Flt SS #10	61	56002503	1	Scr, Hex 10-24 x .50
26	56262531	1	Grommet	62	56002832	1	Nut, Hex Nyl Loc-Thin 10-24
27	56321958	1	Grommet	63	56003403	1	Nut, Hex Nyl Loc M6-1.00
28	56387316	1	Circuit Breaker, 10 Amp <b>(Control Circuit)</b>	64	56397259	1	Display Panel Assembly
29	56395450	1	Contactora, 36V <b>(Vac Motor)</b>	65	56009055	4	Scr, Pan Phil 8-32 x .19
30	56407193	1	Gasket	66	56397260	1	Display PCB Assy
31	56452193	1	Circuit Breaker, 40 Amp <b>(Wheel Drive)</b>	67	56900041	1	Plug, Cap
32	56412089	1	Fuse, 150 Amp	*	56478246	12	Cable Tie
33	56416157	1	Relay, SPST <b>(Brush Remove)</b>	68	56478523	2	Tie, Cable
34	56418199	3	Grommet	69	56396252	1	Spring Clip
35	56456802	1	Barb, 90 Elbow 11/16 x 3/4NPT	70	56003197	2	Scr, Pan Phil Plastite 6-18 x .62
36	56459367	1	Boot, Reset Button				
37	56459368	1	Boot, Reset Button				
38	56462362	1	Switch Assy N.C. <b>(Charger Interlock)</b>				
39	56469858	3	Electrical Mount				
40			<b>Intentionally Omitted</b>				
41	56056323	1	Cable, Brake Assy.				

\* = Not Shown



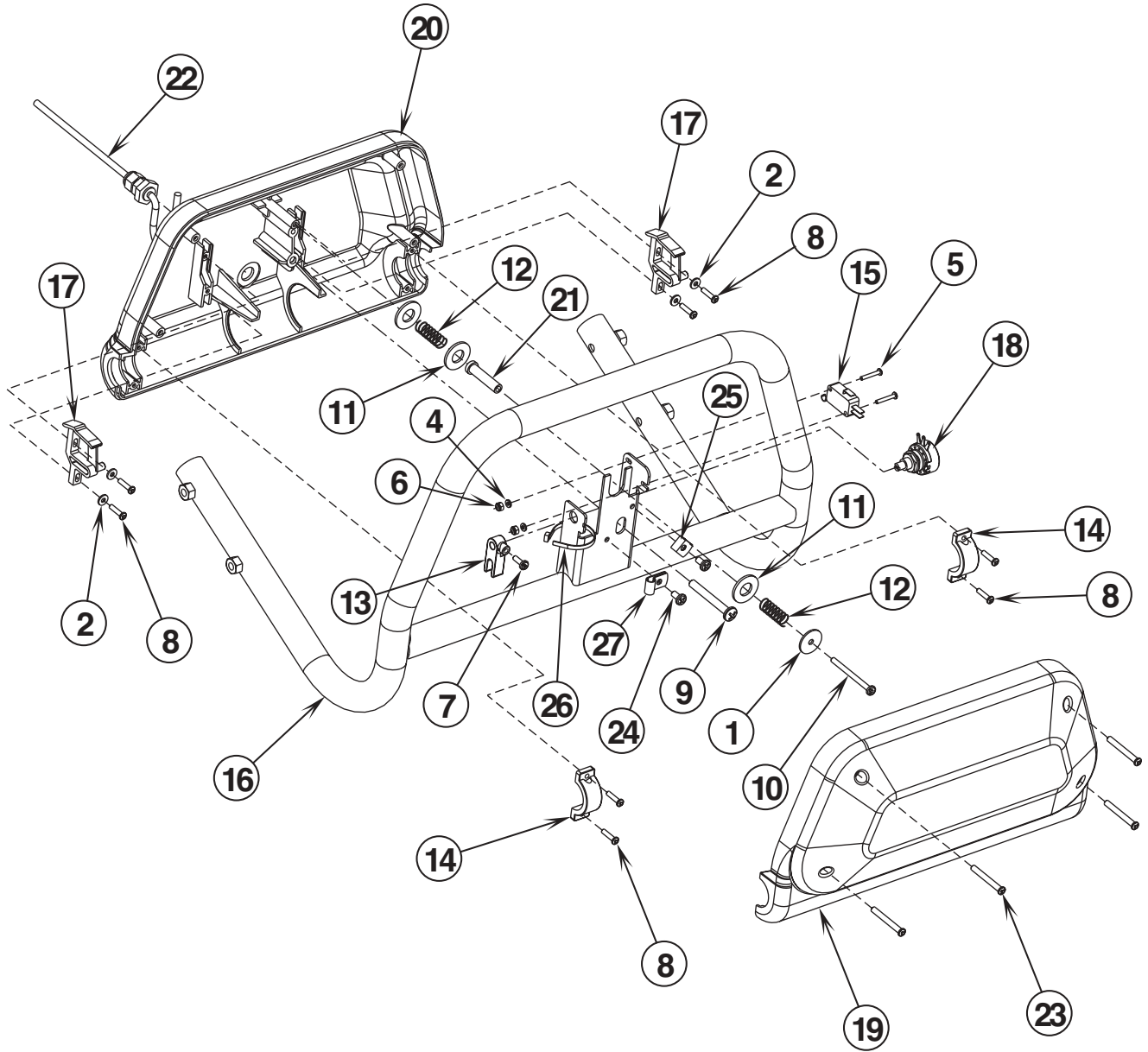
**HANDLE PADDLE ASSEMBLY**

00-3

8

**ConvertaMAX™ 34 / I-MAX™ 34HD**

02-3



00-3	<b>HANDLE PADDLE ASSEMBLY</b>		
02-3	<b>ConvertaMAX™ 34 / I-MAX™ 34HD</b>		<b>9</b>

Item	Ref. No.	Qty	Description
	56396147	1	Paddle, Handle Assembly (#1-27)
1	56009096	1	Wsh, Flt .193 x .875 x .060
2	56002006	4	Wsh, Flt SAE #6
3			Intentionally Omitted
4	56002431	2	Wsh, Flt SAE #4
5	56002713	2	Scr, Pan Phil 4-40 x .75
6	56002838	2	Nut, Hex Nyl Loc 4-40
7	56003354	1	Scr, Pan Phil M4 x 12
8	56003197	8	Scr, Pan Phil Plastite 6-18 x .62
9	56003527	1	Scr, Pan Phil Plastite 1/4-10 x 2.00
10	56009287	1	Scr, Pan Phil Type B 8 x 2.00
11	56397170	3	Washer, Plastic
12	56325654	2	Spring, Compression
13	56397172	1	Potentiometer Fork
14	56397171	2	Clamp
15	56263174	1	Switch, Snap SPDT ( <b>Squeegee Reverse</b> )
16	56396114	1	Weldment, Handle
17	56397015	2	Cam Controller
18	56397029	1	Potentiometer, 5K
19	56397030	1	Paddle, Front Molded
20	56397031	1	Paddle, Back Molded
21	56397109	1	Sleeve
22	56396192	1	Harness Assembly <b>TSB 737</b>
23	56003199	4	Scr, Pan Phil Plastite 8-15 x 1.50
24	56009030	2	Scr, Pan Phil Thd Form 10-24 x .38
25	56220507	1	Clamp, P
26	56478246	1	Tie, Cable
27	56481890	1	Clamp, P

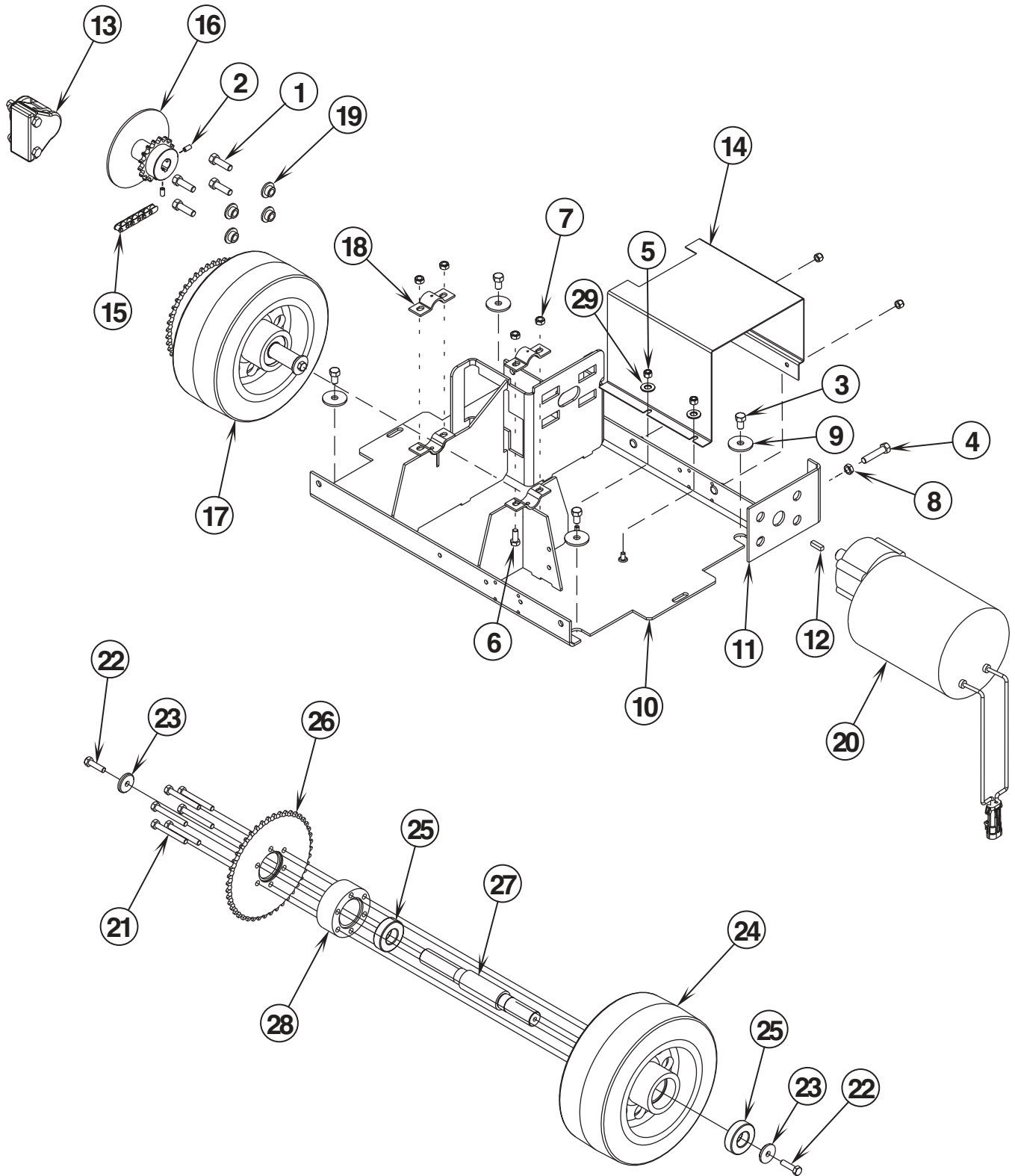
**DRIVE WHEEL SYSTEM**

00-3

**10**

**ConvertaMAX™ 34 / I-MAX™ 34HD**

00-10



00-3	<b>DRIVE WHEEL SYSTEM</b>			
02-3	<b>ConvertaMAX™ 34 / I-MAX™ 34HD</b>			<b>11</b>

Item	Ref. No.	Qty	Description
1	56001858	4	Scr, Hex Hd 3/8-16 x 1.25
2	56001826	2	Scr, Soc Set Loc 5/16-18 x .50
3	56002234	4	Scr, Hex Hd 3/8-16 x .62
4	56002470	1	Scr, Hex Thd To Hd 3/8-16 x 2.00
5	56002708	4	Nut, Hex Nyl Loc 1/4-20
6	56003179	4	Scr, Hex Thd To Hd M8-1.25 x 20mm
7	56003389	4	Nut, Hex Nyl Loc M8-1.25
8	56009085	1	Nut, Hex Jam 3/8-16
9	56009242	4	Wsh, Flt .406 x 1.50 x .125
10	56035088	1	Weld't, Lower Chassis
11	56035262	1	Weld't, Bracket
12	56003244	1	Key, Sq .25 x .94
13	56056245	1	Brake, Mech. Caliper
14	56056405	1	Cover, Motor
15	56396033	1	Chain, Roller
16	56396036	1	Sprocket Weld't
17	56396037	1	Wheel Assy (#21-28)
18	56396039	2	Clamp, Axle
19	56396048	4	Bushing
20	56397316	1	Motor, 36VDC, .75HP
*	56397090	1	Bearing B.E.
*	56397135	1	Bearing F.E.
*	56397048	1	Brush Board Assy, W/Springs & Brushes
*	56397138	4	Brush Spring
*	56039276	4	Brush Assy
21	56003634	6	Scr, Hex Loc 5/16-18 x 2.25
22	56003179	2	Scr Hex Thd to Hd M8-1.25 x 20MM
23	56358959	2	Washer, Flat
24	56376628	1	Wheel 10.00 x 4.00
25	56479430	2	Bearing, Ball
26	56396022	1	Sprocket
27	56396023	1	Axle
28	56396044	1	Spacer
29	56002098	2	Wsh, Flt SAE 1/4

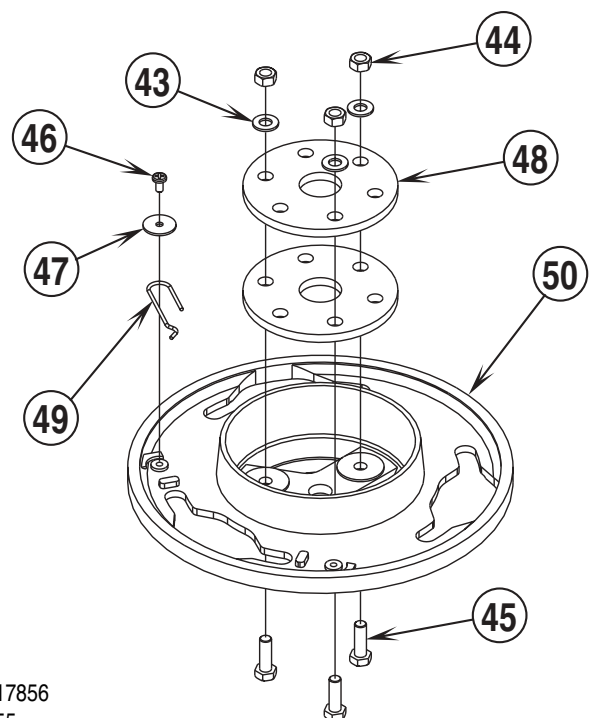
\* = Not Shown



Item	Ref. No.	Qty	Description	Item	Ref. No.	Qty	Description
1	56001873	1	Scr, Hex Hd 3/8-16 x 2.50	33	56009019	2	Scr, Hex Thd Form 1/4-20 x .38
2	56002684	1	Scr, Hex Hd 3/8-16 x 1.75	34	56009062	4	Scr, Pan Phil Thd Form 1/4-20 x .50
3	56002841	2	Nut, Hex Nyl Loc-Thin 3/8-16	35	56393303	1	Actuator, Motor
4	56002947	8	Scr, Hex Hd Loc 3/8-16 x 1.00	*	56470433	1	Carbon Brush Set
5	56003637	8	Scr, Hex M12-1.75 x 40mm	*	56393790	2	Limit Switch
6	56003244	2	Key, Sq .25 x .94	*	56388520	1	Plastic Drive Nut
7			Intentionally Omitted	36	56412071	1	Compression Spring
8	56396196	8	Bushing	37	56412262	1	Housing, Spring (TSBUS2002-811)
9	56003312	8	Nut, Hex Nyl Loc M12-1.75	38	56420018	1	Compression Spring
10			Intentionally Omitted	39	56420019	1	Nut Retainer
11	56009242	2	Wsh, Flt .406 x 1.50 x .125	40	56420020	1	Nut Retainer
12	56397082	2	Hub, Drive	41	56002938	6	Wsh, Flt SAE SS 5/16
13			Intentionally Omitted	42	56003477	6	Scr, Hex Loc SS M8-1.00 x 25mm
14	56478246	6	Tie, Cable	43	56002938	3	Wsh, Flt SAE SS 5/16
15	56355488	2	Clamp, Hose SAE #96	44	56003405	3	Nut, Hex Nyl Loc SS M8 x 1.25
16	56370878	8	Bearing, Sleeve	45	56003436	3	Scr, Hex Hd SS M8-1.25 x 25mm
17	56264318	1	Hose, Spiral <b>NOTE #1</b>	46	56009030	1	Scr, Pan Phil Thd Form 10-24 x .38
	56172099	1	Hose, PVC Clear <b>NOTE #2</b>	47	56009096	1	Wsh, Flt .193 x .875 x .060
18	56003120	2	Pin, Cotter Hair .0915 x .375	48	56407053	2	Thermoid Disk
19	56035078	1	Weldment, Brush Head	49	56397081	1	Spring Retainer
20	56056474	1	Shaft, Steel	50	56397084	1	Brush Holder
21	56001879	16	Wsh, Flt SAE 1/2	51	56396268	1	Spring Housing Guide <b>TSB 807</b>
22	56396045	4	Arm	**	56505780	2	Pad Holder
23			Intentionally Omitted	**	56505781	2	MagnaGrit Brush
24	56396066	1	Yoke, Actuator	**	56505782	2	DynaGrit Brush
25	56396080	1	Lug, Counterclockwise (#43-50)	**	56505783	2	AgLite Grit Brush
26	56396081	1	Lug, Clockwise (#43-50)	**	56505784	2	Prolene Brush
27	56009107	2	Wsh, Flt SS .378 x 1.00 x .12	**	56505785	2	ProLite Brush
28	56003335	2	Scr, Hex Loc SS 5/16-18 x .88	**	56505786	2	Union Mix Brush
29	56397112	2	Shroud, Motor	**	56505787	2	MidGrit Brush
30	56397300	1	Tee, Barb	**	56505788	2	MidLite Brush
31	56397301	2	Hose, PVC	**	56182058	2	Lock Collar, Snap
32	56635645	2	Motor & Gear Assy, 36VDC, .75HP <b>(ConvertaMAX™ 34)</b>	**	56393567	2	Lock Collar, Thrd
	56397296	2	Motor & Gear Assy, 36VDC, 1.0HP <b>(I-MAX™ 34HD)</b>				
*	56397090	1	Bearing B.E.				
*	56397135	1	Bearing F.E.				
*	56397048	1	Brush Board Assy, W/Springs & Brushes				
*	56397138	4	Brush Spring				
*	56039276	4	Brush Assy				

\* = Not Shown

\*\* = Not Included (optional)

**NOTE #1:** ConvertaMAX™ 34 before SN1521967 / I-MAX™ 34HD before SN1517856**NOTE #2:** ConvertaMAX™ 34 after SN1521966 / I-MAX™ 34HD after SN1517855

SKIRT ASSEMBLIES

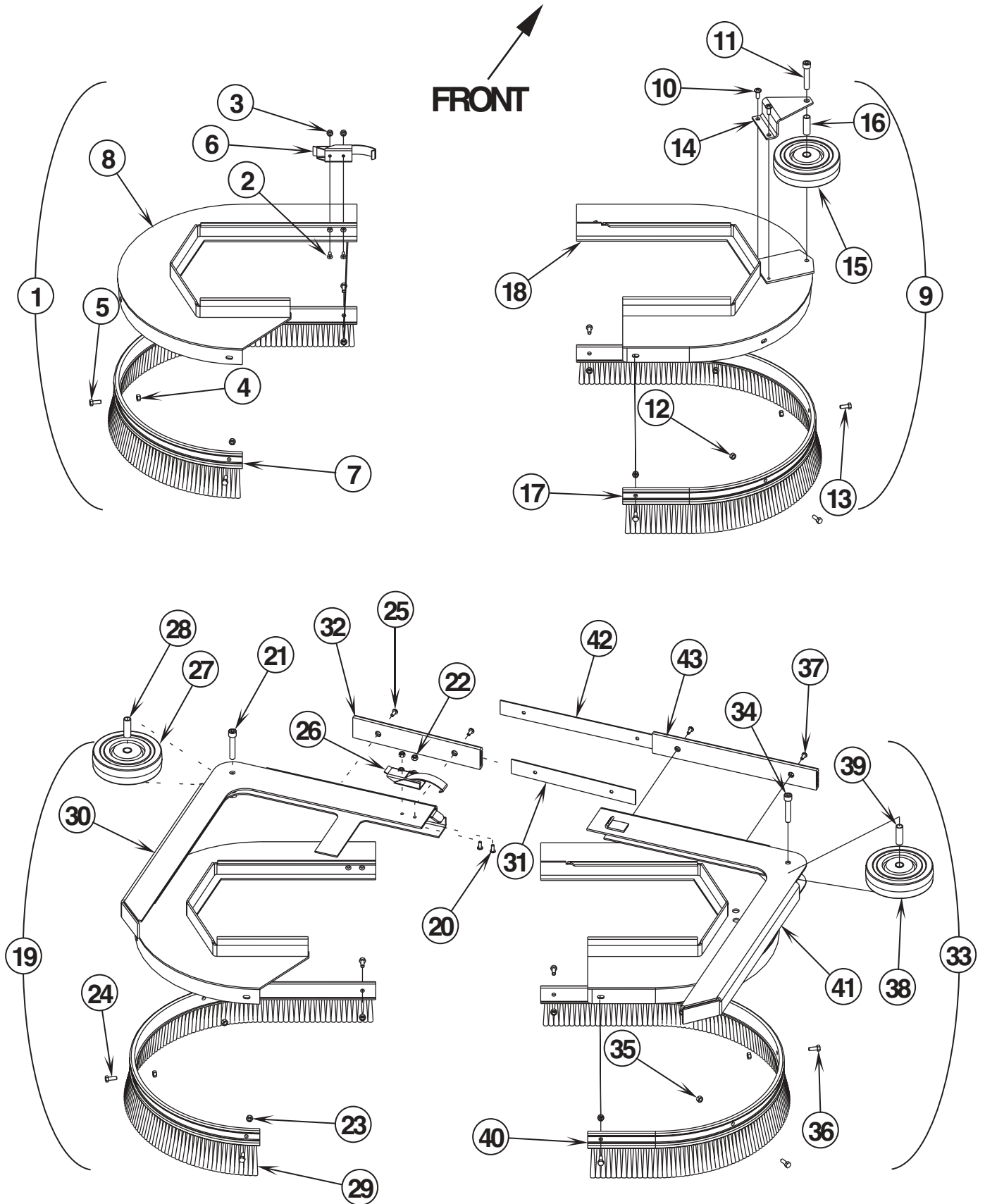
00-3

14

ConvertaMAX™ 34 / I-MAX™ 34HD

02-3

FRONT

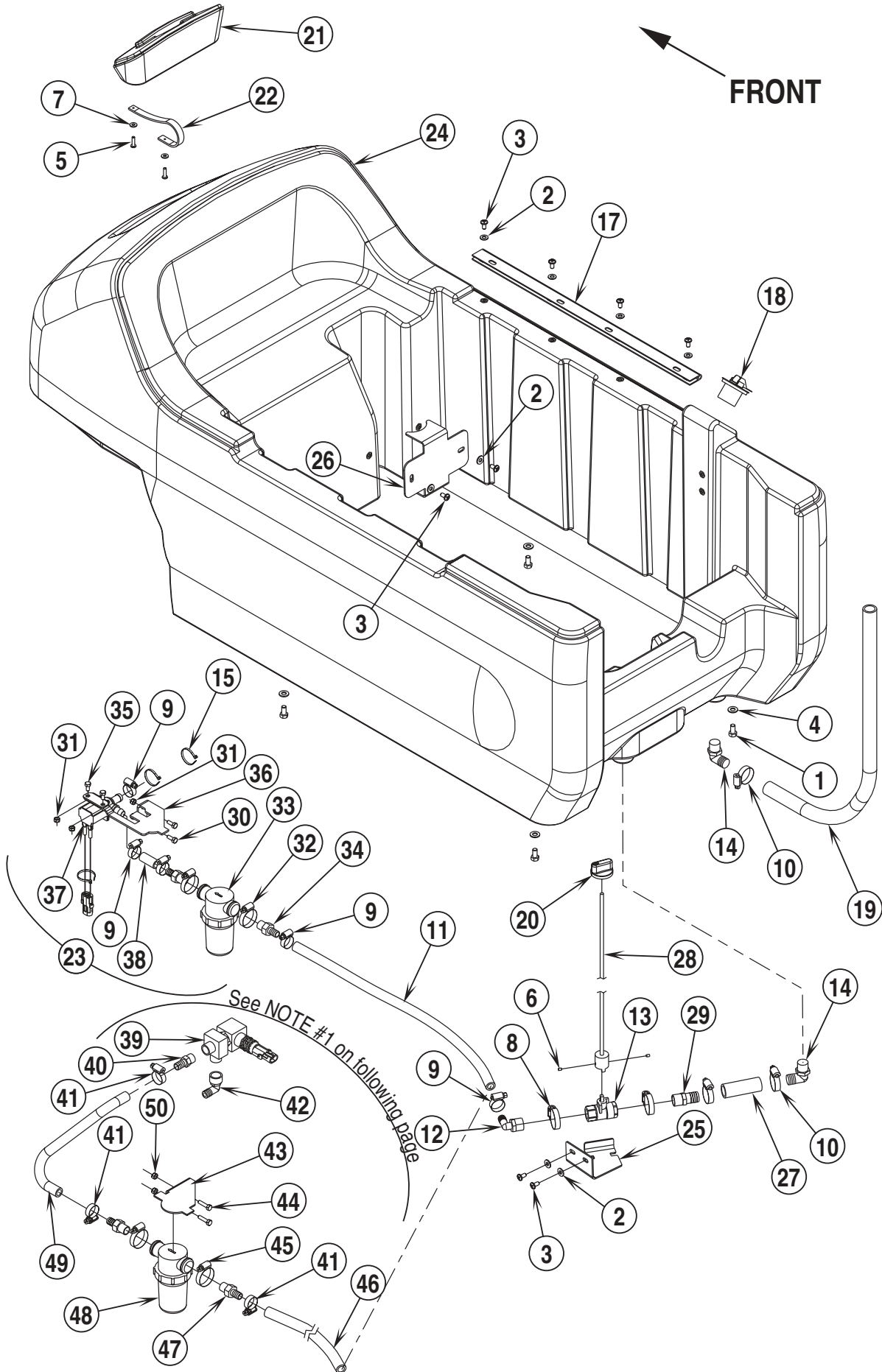


00-3	<b>SKIRT ASSEMBLIES</b>			
01-2	<b>ConvertaMAX™ 34 / I-MAX™ 34HD</b>			<b>15</b>

Item	Ref. No.	Qty	Description
1	56396111	1	Assembly, Brush Cover, Left (#2-8 / ConvertaMAX™ 34)
2	56002178	2	Scr, Flt Phil 10-24 x .50
3	56002768	2	Nut, Hex Nyl Loc 10-24
4	56003426	4	Nut, Hex Nyl Loc SS M6-1.0
5	56003431	4	Scr, Hex Hd SS M6-1.0 x 16mm
6	56054306	1	Clamp, Toggle Latch
7	56396089	1	Skirt, Bristle, Left
8	56396109	1	Weld't, Brush Cover, Left
9	56396112	1	Assembly, Brush Cover, Right (#10-18 / ConvertaMAX™ 34)
10	56002066	2	Scr, Pan phil 1/4-20 x .62
11	56002133	1	Scr, Soc Hd 3/8-16 x 2.00
12	56003426	5	Nut, Hex Nyl Loc SS M6-1.0
13	56003431	5	Scr, Hex Hd SS M6-1.0 x 16mm
14	56056120	1	Bracket, Brush Head, Guide
15	56161691	1	Wheel, Black
16	56056684	1	Spacer, Steel
17	56396090	1	Skirt, Bristle, Right
18	56396110	1	Weld't, Brush Cover, Right
19	56397269	1	Assembly, Brush Cover, Left (#20-32 / I-MAX™ 34HD)
20	56001993	2	Scr, Pan Phil 10-24 x .50
21	56002133	1	Scr, Soc Hd 3/8-16 x 2.00
22	56002768	2	Nut, Hex Nyl Loc 10-24
23	56003426	4	Nut, Hex Nyl Loc SS M6-1.0
24	56003431	4	Scr, Hex Hd SS M6-1.0 x 16mm
25	56009082	2	Scr, Pan Phil Thd Form-Blk 10-24 x .50
26	56054306	1	Clamp, Toggle Latch
27	56161691	1	Wheel, Black
28	56056684	1	Spacer, Steel
29	56396089	1	Skirt, Bristle, Left
30	56397270	1	Weld't, Brush Cover, Left HD
31	56397277	1	Strap
32	56397278	1	Bumper
33	56397267	1	Assembly, Brush Cover, Right (#34-43 / I-MAX™ 34HD)
34	56002133	1	Scr, Soc Hd 3/8-16 x 2.00
35	56003426	5	Nut, Hex Nyl Loc SS M6-1.0
36	56003431	5	Scr, Hex Hd SS M6-1.0 x 16mm
37	56009082	2	Scr, Pan Phil Thd Form-Blk 10-24 x .50
38	56161691	1	Wheel, Black
39	56056684	1	Spacer, Steel
40	56396090	1	Skirt, Bristle, Right
41	56397268	1	Weld't, Brush Cover, Right HD
42	56397277	1	Strap
43	56397278	1	Bumper
**	56397080	1	Rubber Blade Kit (All models)

\*\* = Optional





00-3	<b>SOLUTION SYSTEM</b>			
01-10	<b>ConvertaMAX™ 34 / I-MAX™ 34HD</b>			<b>17</b>

Item	Ref. No.	Qty	Description
1	56002035	4	Scr, Hex Hd 5/16-18 x .62
2	56002098	8	Wsh, Flt SAE 1/4
3	56002145	8	Scr, Pan Phil 1/4-20 x .50
4	56002220	4	Wsh, Flt STD 5/16
5	56009005	2	Scr, Pan Phil SS Type B 10-16 x .75
6	56009183	2	Scr, Soc Set 10-24 x .19
7	56009205	2	Wsh, Flt SS #10
8	56131601	2	Clamp, Hose SAE #16
9	56219932	5	Clamp, Hose SAE #6
10	56244969	3	Clamp, Hose SAE #12
11	56324249	1	Hose, Spiral .50
12	56409152	1	Barb, 90 Elbow 1/2 x 1/2NPT
13	56412174	1	Solution Shut-off Valve
14	56456802	2	Barb, 90 Elbow 11/16 x 3/4NPT
15	56478246	3	Tie, Cable
16	56051836	1	Hook <b>(Not Shown)</b>
17	56056514	1	Hinge
18	56057852	1	Plug, Expansion
19	56261265	1	Hose, .75 Clear PVC, 25.00
20	56396201	1	Knob
21	56397021	1	Lid, Solution
22	56397167	1	Strap, Retaining
23	56397214	1	Assembly, Water Valve 36V (#9, 30-38) <b>TSB 788</b>
24	56397220	1	Tank, Solution
25	56397276	1	Bracket, Valve
26	56397287	1	Bracket
27	56397302	1	Hose, .75 Clear PVC
28	56397311	1	Rod Weld't.
29	56900648	1	Barb, Adapter 3/4 x 1/2NPT
30	56003174	2	Scr, Hex Thd To Hd M6-1.00 x 16mm
31	56003403	4	Nut, Hex Nyl Loc M6-1.00
32	56131601	2	Clamp, Hose SAE #16
33	56412173	1	Solution Filter
34	56412184	2	Barb, Adapter 1/2 x 1/2NPT
35	56003155	2	Scr, Hex M6-1.00 x 12mm
36	56396068	1	Filter Bracket
37	56397215	1	Solenoid Valve Assy. 36V <b>TSB 788</b>
38	56397217	1	Hose, PVC Clear

**NOTE #1**

39	56409154	1	Valve, Solenoid <b>TSB 788</b>
*	56324506	1	Viton Seal Kit
*	56324507	1	EPDM Seal Kit
40	56409507	1	Barb, Adapter 1/2 x 3/8NPT
41	56219932	4	Clamp, Hose SAE #6
42	56900069	1	Barb, 90 Elbow 1/2 x 3/8NPT
43	56396068	1	Filter Bracket
44	56003174	2	Scr, Hex Thd To Hd M6-1.00 x 16mm
45	56131601	2	Clamp, Hose SAE #16
46	56324249	1	Hose, Spiral .50
47	56412184	2	Barb, Adapter 1/2 x 1/2NPT
48	56412173	1	Solution Filter
49	56396180	1	Hose, Spiral .50
50	56003403	2	Nut, Hex Nyl Loc M6-1.00

\* = Not Shown

**NOTE #1:** ConvertaMAX™ 34 before SN1521967 / I-MAX™ 34HD before SN1517856

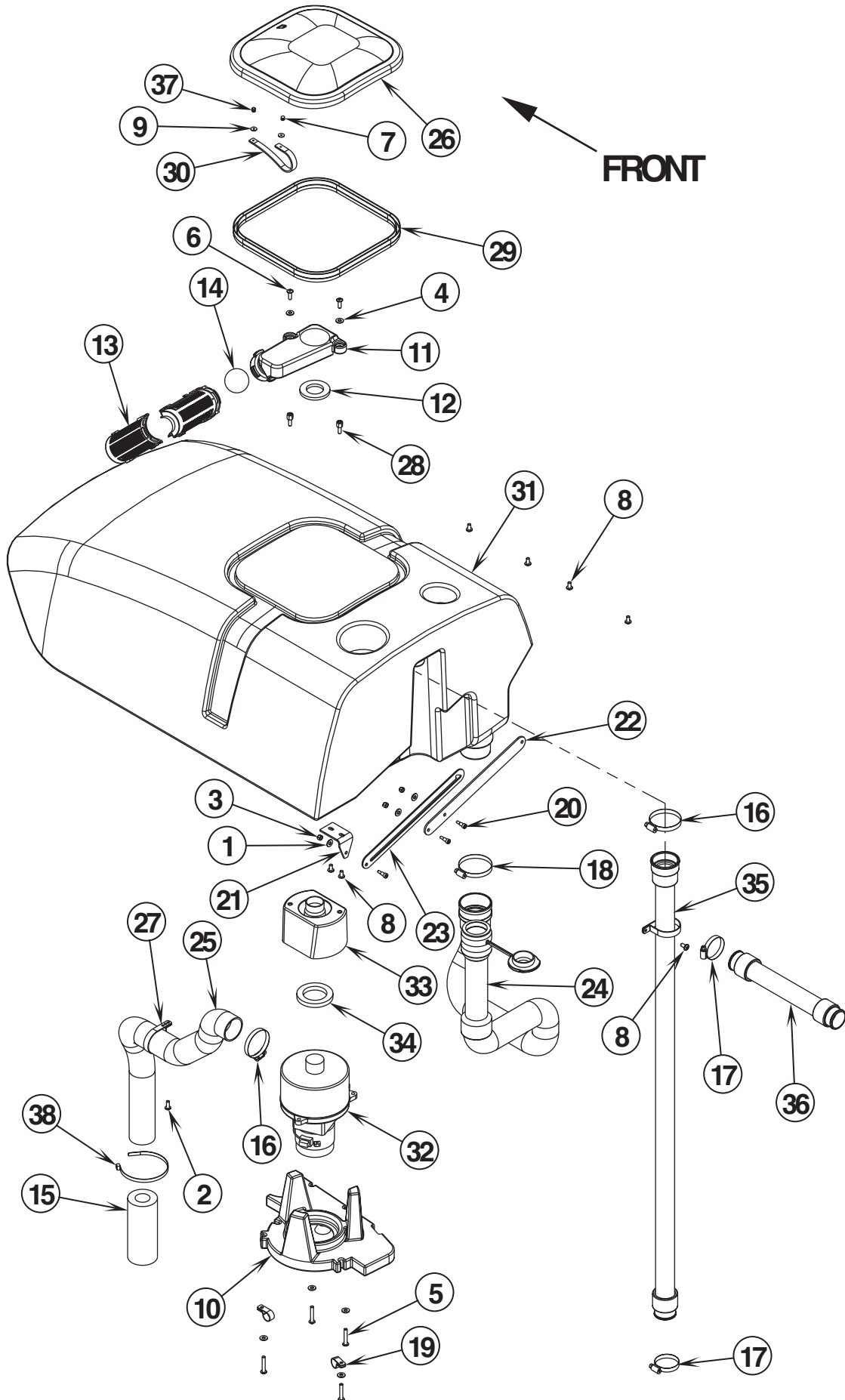
RECOVERY SYSTEM

00-3

18

ConvertaMAX™ 34 / I-MAX™ 34HD

02-3



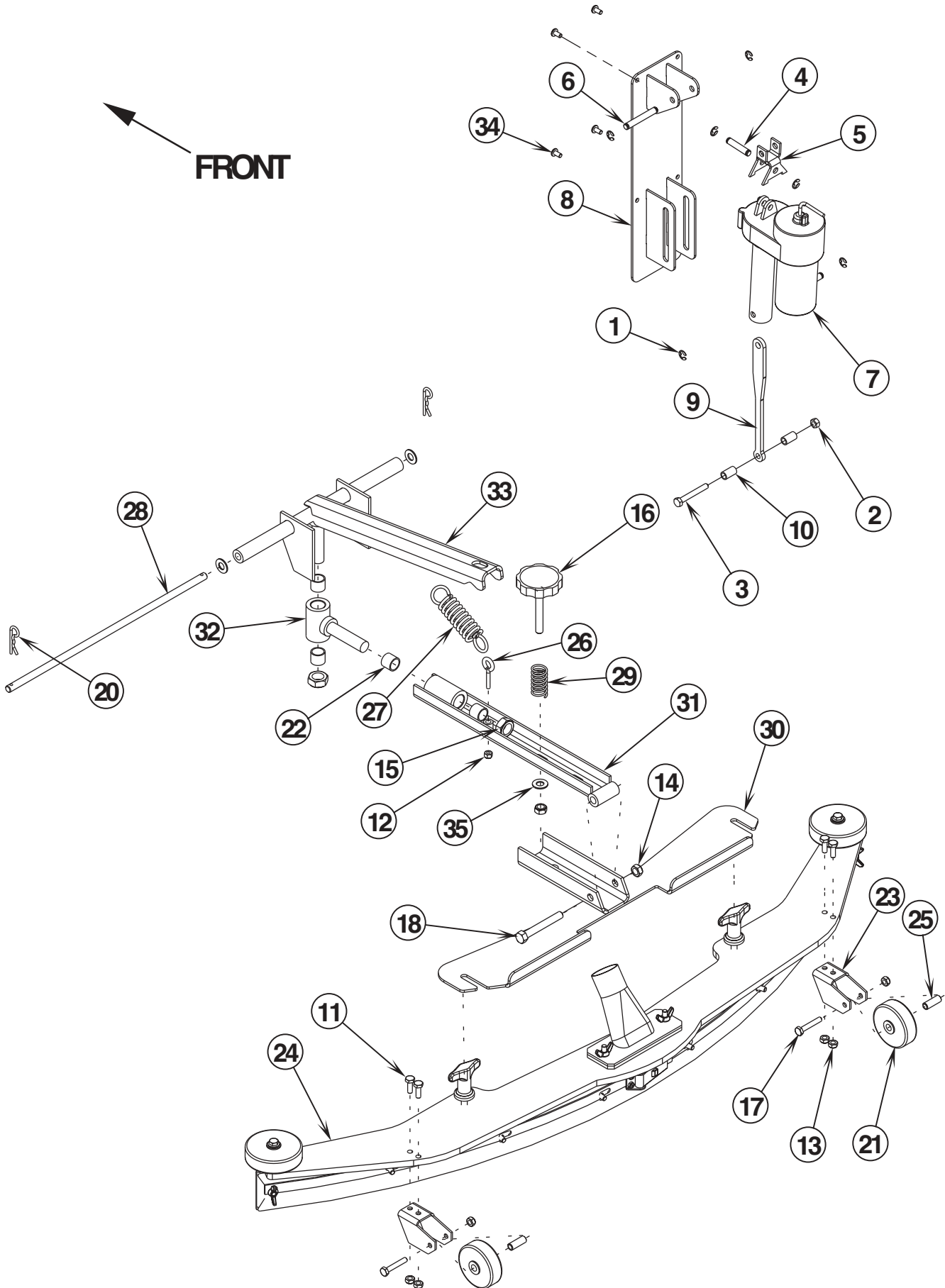
00-3	<b>RECOVERY SYSTEM</b>			
02-3	<b>ConvertaMAX™ 34 / I-MAX™ 34HD</b>			<b>19</b>

Item	Ref. No.	Qty	Description
1	56002098	3	Wsh, Flt SAE 1/4
2	56001993	1	Scr, Pan Phil 10-24 x .50
3	56002768	3	Nut, Hex Nyl Loc 10-24
4	56002859	6	Wsh, Flt SAE SS 1/4
5	56002905	4	Scr, Pan Phil SS 1/4-20 x 1.50
6	56003067	2	Scr, Pan Phil SS 1/4-20 x 1.00
7	56003293	1	Rivet, Pop A/S .125 x .38/.50
8	56002145	7	Scr, Pan Phil 1/4-20 x .50
9	56009098	2	Wsh, Flt SS .125 x .50 x .036
10	56302141	1	Vac Motor Duct
11	56302142	1	Float Duct
12	56302165	1	Gasket
13	56324497	2	Cage, Float
14	56391690	1	Ball, Float
15	56391807	1	Foam, Acoustical
16	56440213	2	Clamp, Hose SAE #32
17	56329145	2	Clamp, Hose SAE #24
18	56456797	1	Clamp, Hose SAE #36
19	56486112	2	Clamp P
20	56003537	3	Scr, Soc Shd .25 x .38 x 10-24
21	56057504	1	Bracket, Steel
22	56057505	1	Bar
23	56057508	1	Bar, Steel
24	56396031	1	Drain Hose
25	56397040	1	Vacuum Exhaust Hose
26	56397045	1	Lid
27	56397095	2	Clamp, Hose
28	56397096	2	Spacer, Bolt
29	56397151	1	Gasket
30	56397167	1	Strap, Retaining
31	56396225	1	Tank, Recovery <b>NOTE 2</b>
32	56397228	1	Motor, Vac 36VDC
*	56212223	1	Carbon Brush Set
33	56397303	1	Spacer, Vac Motor
34	56397307	1	Gasket, Vac
35	56396210	1	Vac Hose Assy <b>(ConvertaMAX™ 34 before SN1422784 / I-MAX™ 34HD before SN1423253)</b>
	56396219	1	Vac Hose Assy <b>(ConvertaMAX™ 34 after SN1422783 / I-MAX™ 34HD after SN1423252)</b>
36	56262143	1	Hose Assy
37	56003642	1	Rivet, Pop .50 x .62 <b>NOTE 1</b>
38	56477613	1	Tie, Cable

\* = Not Shown

**NOTE 1:** Fill rivet with 409 Super Bonder Gel after installing.

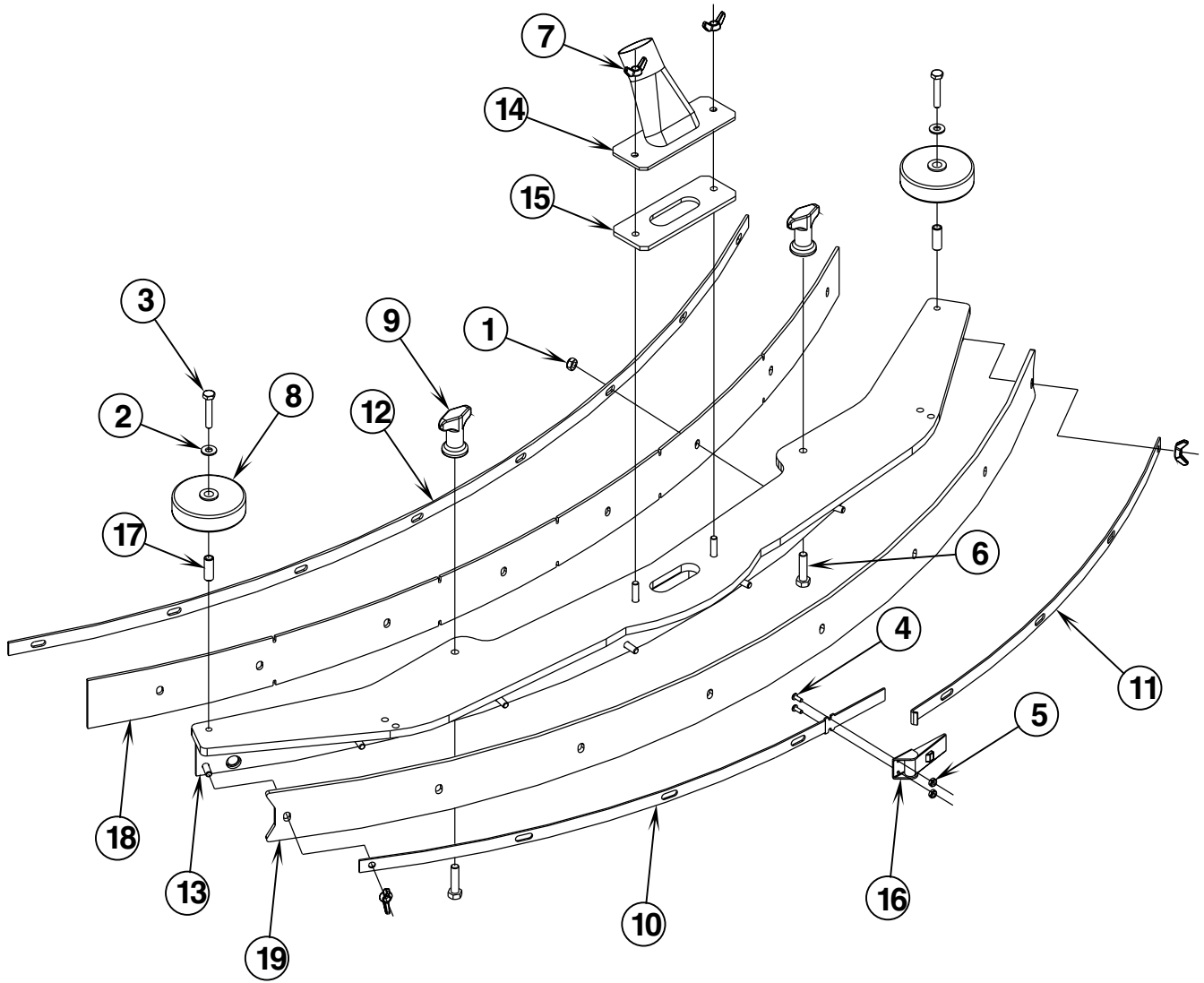
**NOTE 2:** Recovery Tank **PN 56396225** was implemented at the same time as item 35 Vac Hose Assy. Previous Recovery Tank **PN 56397223** is obsolete. If you have a machine built prior to the serial numbers shown in item 35 and need to replace your recovery tank, order Recovery Tank Kit **PN 56396228** which includes a new Recovery Tank **PN 56396225**, Vac Hose Assy **PN 56396219** and Hose Clamp **PN 56440213**.



00-3	<b>SQUEEGEE SYSTEM (before SN 1477842)</b>		
01-6	<b>ConvertaMAX™ 34 / I-MAX™ 34HD</b>		<b>21</b>

Item	Ref. No.	Qty	Description
1	56003262	6	Ring, Ret Ext Type E .38 Dia.
2	56003405	1	Nut, Hex Nyl Loc SS M8-1.25
3	56003464	1	Scr, Hex Hd SS M8-1.25 x 60mm
4	56104760	1	Pin
5	56392454	1	Yoke, Actuator
6	56412088	2	Pin
7	56397230	1	Actuator, Motor 36V
*	56470433	1	Carbon Brush Set
*	56393790	2	Limit Switch
8	56397279	1	Weldment, Actuator Mount
9	56397285	1	Link
10	56397286	2	Spacer
11	56002807	4	Scr, Hex Hd SS 1/4-20 x .75
12	56002708	1	Nut, Hex Nyl Loc 1/4-20
13	56002850	6	Nut, Hex Nyl Loc-Thin SS 1/4-20
14	56002852	2	Nut, Hex Nyl Loc-Thin SS 3/8-16
15	56002855	2	Nut, Hex Nyl Loc-Thin SS 5/8-11
16	56035163	1	Assembly, Knob Adjustment
17	56002901	2	Scr, Hex Hd SS 1/4-20 x 1.50
18	56002903	1	Scr, Hex Hd SS 3/8-16 x 2.75
19			Omitted Intentionally
20	56003120	2	Pin, Cotter Hair
21	56324350	2	Wheel
22	56367389	4	Bearing, Sleeve
23	56409648	2	Bracket, Wheel
24	56409423	1	Squeegee Assembly ( <b>ConvertaMAX™ 34</b> )
	56397294	1	Squeegee Assembly ( <b>I-MAX™ 34HD</b> )
25	56471220	2	Bushing .25 x .37 x 1.00
26	56009220	1	Eye Bolt 1/4-20 x 1.00
27	56051136	1	Spring, Ext.
28	56056371	1	Shaft .375 x 14.62
29	56056585	1	Spring, Comp.
30	56396065	1	Weld't, Squeegee Mount
31	56396076	1	Squeegee Bar Weld't
32	56396085	1	Squeegee Pivot Weld't
33	56397241	1	Squeegee Lift Weld't
34	56002145	4	Scr, Pan Phil 1/4-20 x .50
35	56002910	1	Wsh, Flt SAE SS 3/8

\* = Not Shown



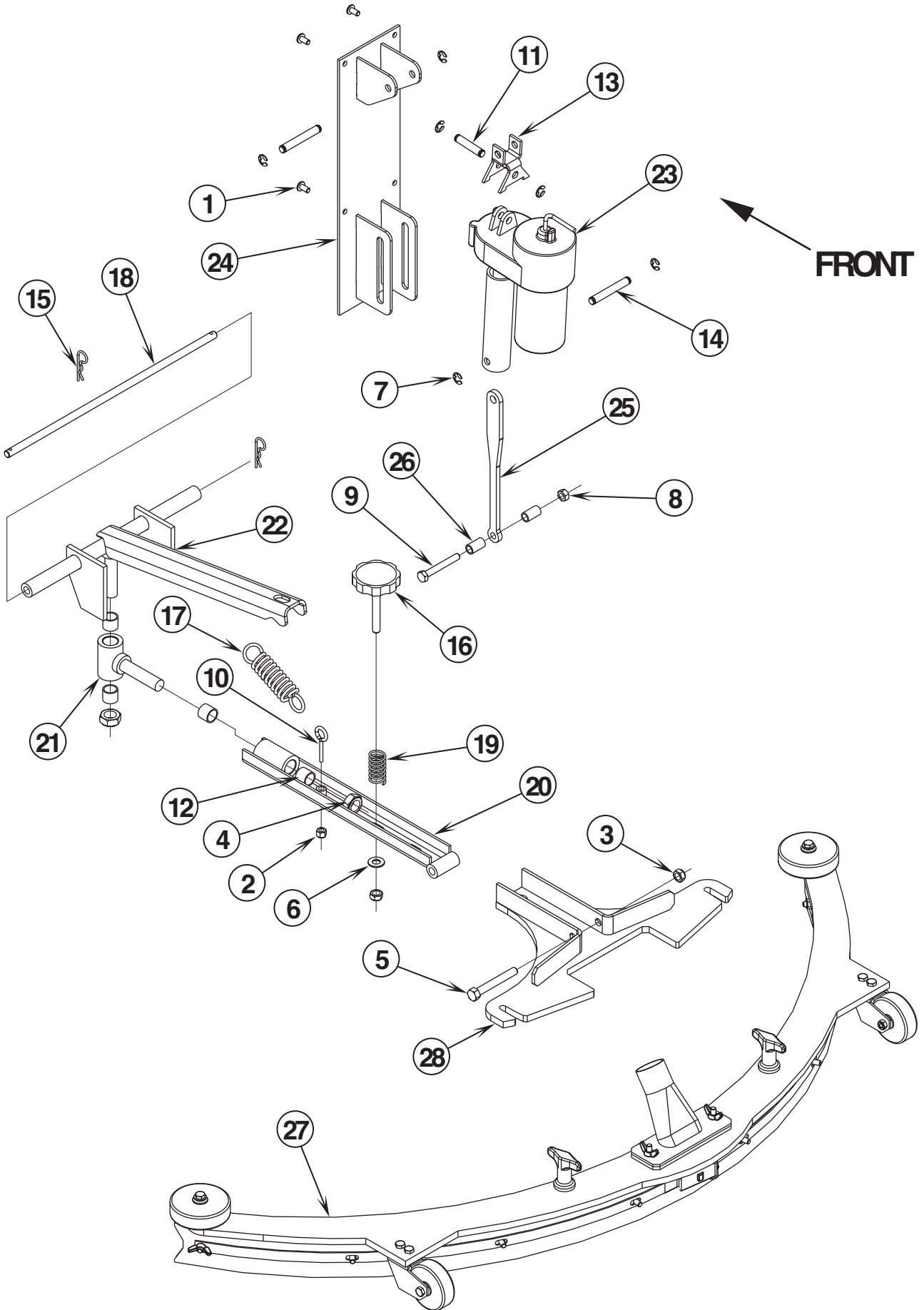
FRONT

00-3	<b>SQUEEGEE ASSEMBLY (before SN 1477842)</b>		
01-6	<b>ConvertaMAX™ 34 / I-MAX™ 34HD</b>		<b>23</b>

Item	Ref. No.	Qty	Description
1	56002850	8	Nut, Hex Nyl Loc-Thin SS 1/4-20
2	56002859	2	Wsh, Flt SAE SS 1/4
3	56002901	2	Scr, Hex Hd SS 1/4-20 x 1.50
4	56002909	2	Scr, Pan Phil SS 6-32 x .38
5	56002964	2	Nut, Hex Nyl Loc-Thin SS 6-32
6	56003302	2	Scr, Hex Thd To Hd SS 5/16-18 x 1.25
7	56009111	4	Nut, Wing SS 1/4-20
8	56324499	2	Wheel, 3.00
9	56370711	2	Nut, Thumb
10	56409415	1	Strap, Rear
11	56409416	1	Strap, Rear
12	56409417	1	Strap, Front
13	56409422	1	Tool Weld't
14	56409425	1	Tube Weld't
15	56409426	1	Gasket
16	56471194	1	Latch
17	56471220	2	Bushing .25 x .37 x 1.00
18	56409627	1	Blade, Front, Gum Rubber ( <b>ConvertaMAX™ 34</b> )
	56396135	1	Blade, Front, Linatex ( <b>I-MAX™ 34HD</b> )
19	56409413	1	Blade, Rear, Gum Rubber ( <b>ConvertaMAX™ 34</b> )
	56396136	1	Blade, Rear, Linatex ( <b>I-MAX™ 34HD</b> )
**	56409429	1	Standard Blade Kit ( <b>Gum Rubber</b> )
**	56409430	1	Oil Resistant Blade Kit ( <b>Neoprene</b> )
**	56396173	1	Linatex Blade Kit
**	56397327	1	Blade, Front-Tile Gum
**	56397328	1	Blade, Front-Tile Linatex

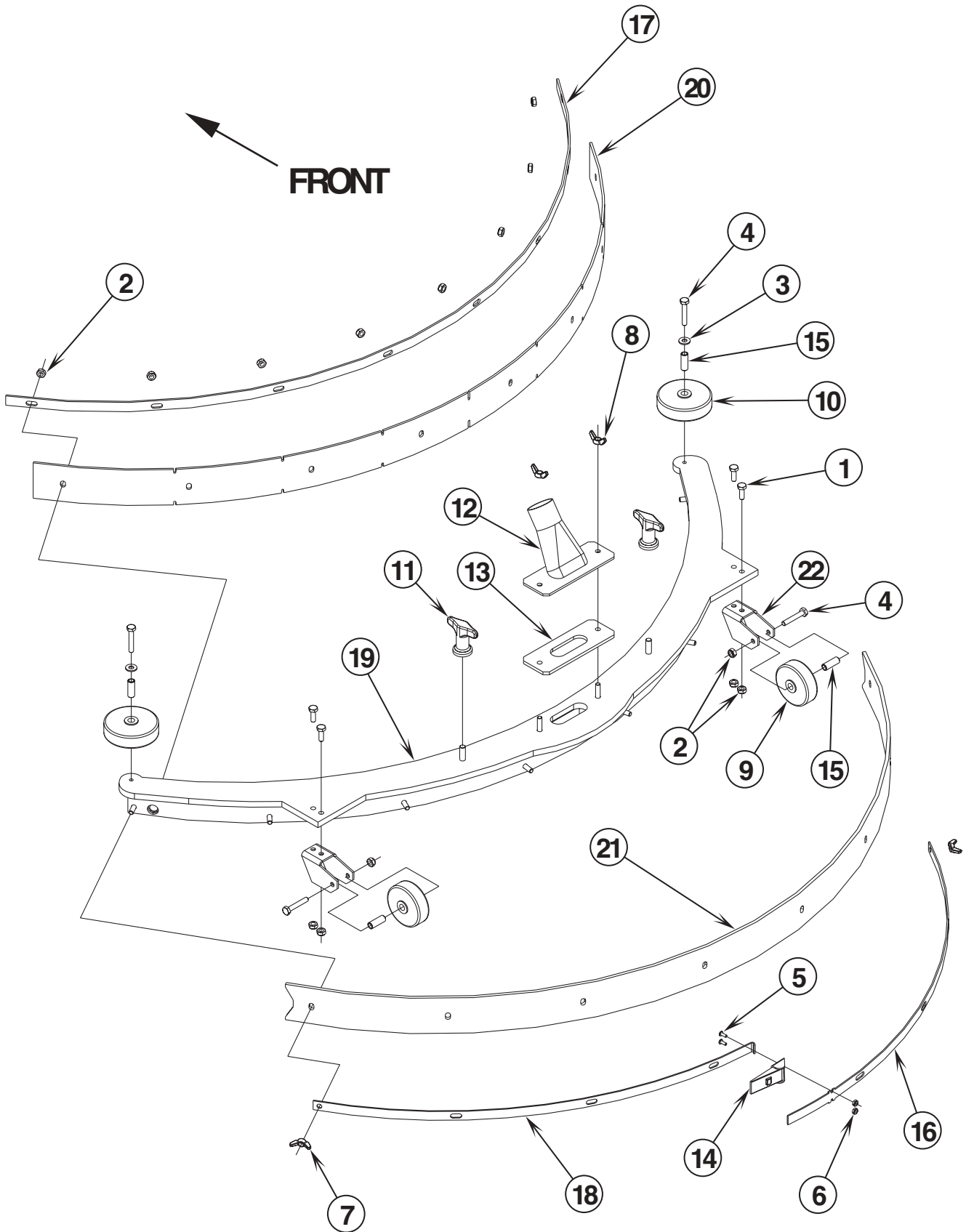
\*\* = Not Included (optional)





00-3	<b>SQUEEGEE SYSTEM (after SN 1477841)</b>		
01-6	<b>ConvertaMAX™ 34 / I-MAX™ 34HD</b>		<b>25</b>

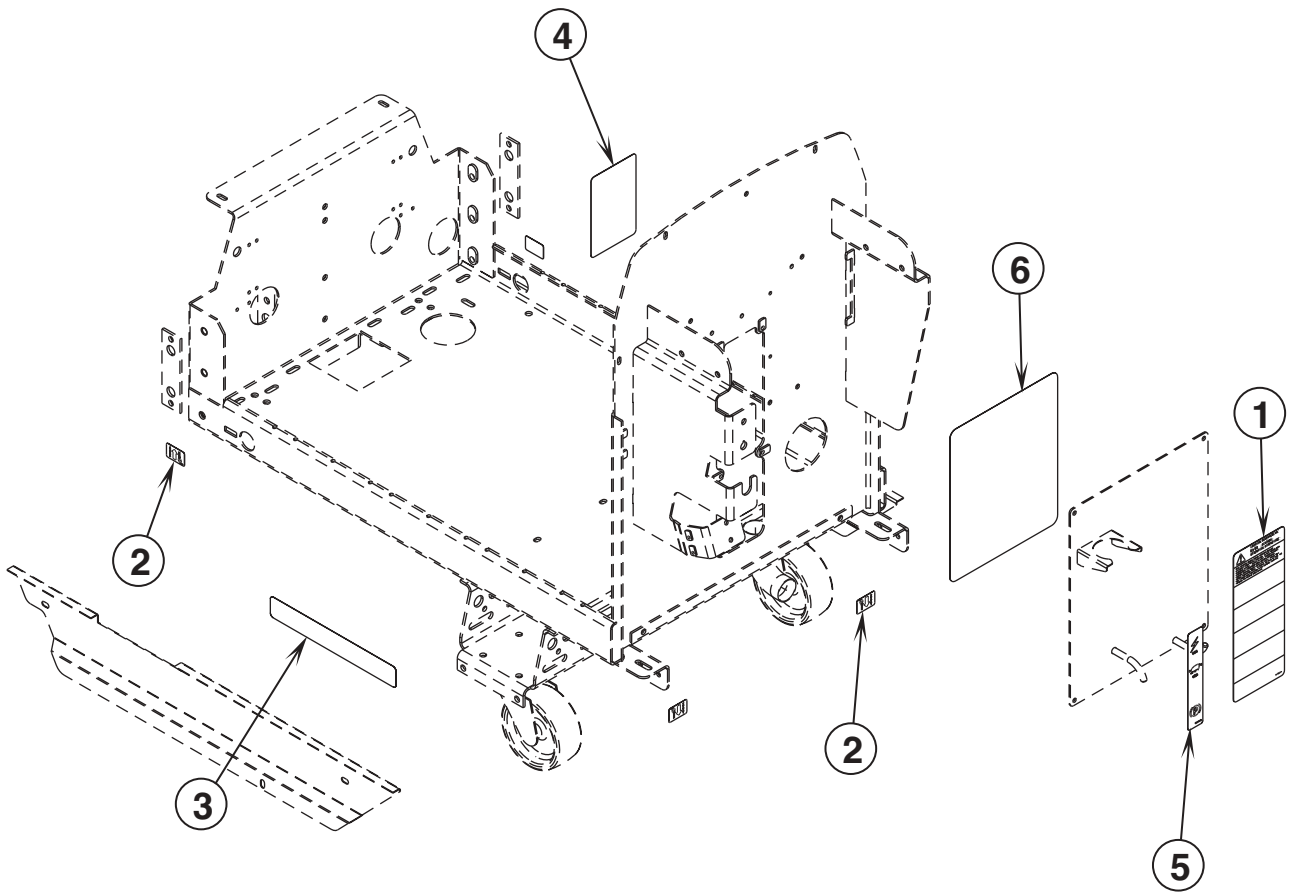
Item	Ref. No.	Qty	Description
1	56002145	4	Scr, Pan Phil 1/4-20 x .50
2	56002708	1	Nut, Hex Nyl Loc 1/4-20
3	56002852	2	Nut, Hex Nyl Loc-Thin SS 3/8-16
4	56002855	2	Nut, Hex Nyl Loc-Thin SS 5/8-11
5	56002903	1	Scr, Hex Hd SS 3/8-16 x 2.75
6	56002910	1	Wsh, Flt SAE SS 3/8
7	56003262	6	Ring, Ret Ext Type E 0.38 Dia
8	56003405	1	Nut, Hex Nyl Loc SS M8 x 1.25
9	56003464	1	Scr, Hex Hd SS M8-1.25 x 60MM
10	56009220	1	Bolt, Eye 1/4-20 x 1.38
11	56104760	1	Pin
12	56367389	4	Bearing, Sleeve
13	56392454	1	Yoke, Actuator
14	56412088	2	Pin
15	56003120	2	Pin, Cotter Hair .0915 x .375
16	56035163	1	Assembly, Knob, Adjustment
17	56051136	1	Spring, Ext
18	56056371	1	Shaft .375 x 14.62
19	56056585	1	Compression Spring
20	56396076	1	Squeegee Bar Weld't
21	56396085	1	Squeegee Pivot Weld't
22	56397093	1	Squeegee Lift Weld't
23	56397230	1	Actuator, Motor 36V
24	56397279	1	Weldment, Actuator Mount
25	56397285	1	Link
26	56397286	2	Spacer
27	56397349	1	Squeegee Assembly ( <b>ConvertaMAX™ 34</b> )
	56397227	1	34 Squeegee Assembly ( <b>I-MAX™ 34HD</b> )
28	56397356	1	Mounting Plate Weldment



00-3	<b>SQUEEGEE ASSEMBLY (after SN 1477841)</b>		
02-3	<b>ConvertaMAX™ 34 / I-MAX™ 34HD</b>		<b>27</b>

Item	Ref. No.	Qty	Description
1	56002807	4	Scr, Hex Hd SS 1/4-20 x .75
2	56002850	14	Nut, Hex Nyl Loc-Thin SS 1/4-20
3	56002859	2	Wsh, Flt SAE SS 1/4
4	56002901	4	Scr, Hex Hd SS 1/4-20 x 1.50
5	56002909	2	Scr, Pan Phil SS 6-32 x .38
6	56002964	2	Nut, Hex Nyl Loc-Thin SS 6-32
7	56009048	2	Nut, Wing Loc 1/4-20
8	56009111	2	Nut, Wing SS 1/4-20
9	56324350	2	Wheel
10	56324499	2	Wheel 3.00
11	56370711	2	Nut, Thumb
12	56409425	1	Tube Weldment
13	56409426	1	Gasket
14	56471194	1	Latch Assembly
15	56471220	4	Bushing .25 x .37 x 1.0
16	56397353	1	Strap, Rear
17	56397354	1	Strap, Front
18	56397355	1	Strap, Rear
19	56397359	1	Squeegee Tool Weldment
20	56397362	1	Blade, Front ( <b>ConvertaMAX™ 34</b> )
	56397089	1	Blade, Front ( <b>I-MAX™ 34HD</b> )
21	56397363	1	Blade, Rear ( <b>ConvertaMAX™ 34</b> )
	56397091	1	Blade, Rear ( <b>I-MAX™ 34HD</b> )
22	56409656	2	Bracket, Wheel
**	56397094	1	Blade Kit (Gum) (contains one 56397363 & 56397362)
**	56397106	1	Blade Kit (Linatex) (contains one 56397091 & 56397089)
**	56397147	1	Blade, Front-Tile Gum
**	56397148	1	Blade, Front-Tile Linatex
**	56397595	1	Blade, Kit – Oil Resistance

\*\* = Optional



00-3	<b>DECAL SYSTEM</b>		
02-3	<b>ConvertaMAX™ 34 / I-MAX™ 34HD</b>		<b>29</b>

Item	Ref. No.	Qty	Description
1	56014601	1	Decal, Caution
2	56015370	4	Decal, Tie Down
3	56016410	2	Decal, 34 Commercial ( <b>ConvertaMAX™ 34</b> )
	56016412	2	Decal, 34 Industrial ( <b>I-MAX™ 34HD</b> )
4	56016413	1	Decal, Battery Wiring
5	56016451	1	Decal, Circuit Breaker
6	56016487	1	Decal, Electrical Schematic

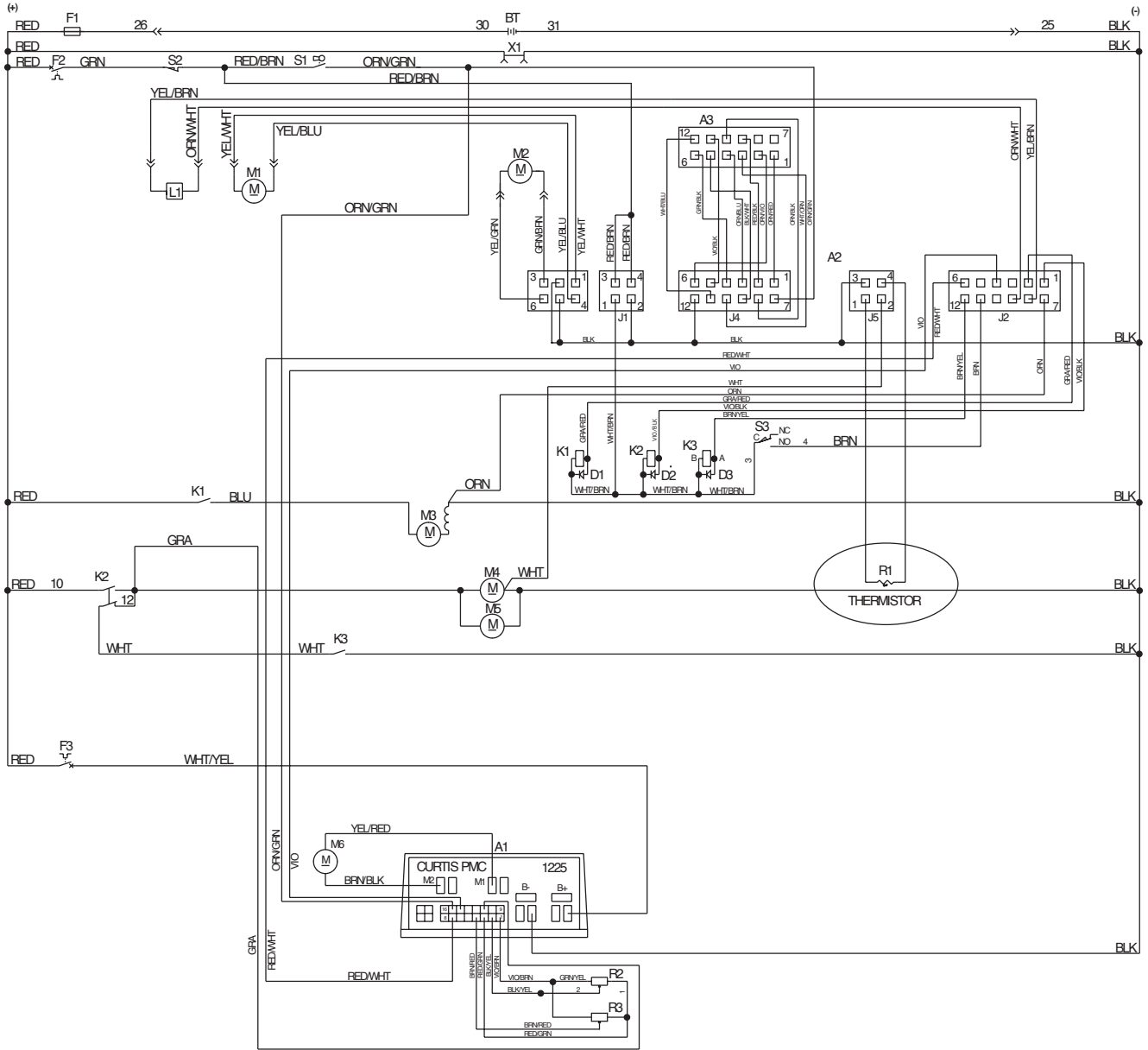
# WIRING DIAGRAM

00-3

30

## ConvertaMAX™ 34 / I-MAX™ 34HD

02-3



00-3	<b>WIRING DIAGRAM</b>			
01-10	<b>ConvertaMAX™ 34 / I-MAX™ 34HD</b>			<b>31</b>

Item	Ref. No.	Qty	Description
A1	56397252	1	Controller, 36V
A2	56397255	1	Control Assy ( <b>before SN1515053</b> ) TSB 793
	56397211	1	Control Assy ( <b>after SN1515052</b> ) TSB 793
A3	56397259	1	Display Panel Assembly
BT		6	Battery, 6V
D1		1	Diode
D2		1	Diode
D3		1	Diode
F1	56412089	1	Fuse, 150 Amp
F2	56387316	1	Circuit Breaker 10 Amp ( <b>Control Circuit</b> )
F3	56452193	1	Circuit Breaker 40 Amp ( <b>Wheel Drive</b> )
K1	56395450	1	Contactor, 36 VDC ( <b>Vac Motor</b> )
K2	56397250	1	Contactor, 36V, SPDT ( <b>Brush Motor</b> )
K3	56416157	1	Relay, SPST, 36V ( <b>Brush Remove</b> )
L1	56409154	1	Solenoid Valve <b>NOTE #1 TSB 788</b>
*	56324506	1	Viton Seal Kit
*	56324507	1	EPDM Seal Kit
	56397215	1	Solenoid Valve <b>NOTE #2 TSB 788</b>
M1	56393303	1	Actuator, Motor ( <b>Brush Lift</b> )
*	56470433	1	Carbon Brush Set
*	56393790	2	Limit Switch
*	56388520	1	Plastic Drive Nut
M2	56397230	1	Actuator, Motor ( <b>Squeegee Lift</b> )
*	56470433	1	Carbon Brush Set
*	56393790	2	Limit Switch
M3	56397228	1	Motor, Vac 36VDC
*	56212223	1	Carbon Brush Set
M4	56635645	1	Motor & Gear Assy, 36VDC, .75HP ( <b>Brush Drive / ConvertaMAX™ 34</b> )
	56397296	1	Motor & Gear Assy, 36VDC, 1.0HP ( <b>Brush Drive / I-MAX™ 34HD</b> )
M5	56635645	1	Motor & Gear Assy, 36VDC, .75HP ( <b>Brush Drive / ConvertaMAX™ 34</b> )
	56397296	1	Motor & Gear Assy, 36VDC, 1.0HP ( <b>Brush Drive / I-MAX™ 34HD</b> )
M6	56635645	1	Motor & Gear Assy, 36VDC, .75HP ( <b>Wheel Drive</b> )
R1		1	Thermistor ( <b>part of Cable Assy 56397297</b> )
R2	56396197	1	Potentiometer, 100K ( <b>Speed Control</b> )
R3	56397029	1	Potentiometer, 5K ( <b>Forward / Reverse</b> )
S1	56396188	1	Switch, Key
*	56396189	A/R	Replacement Key
S2	56462362	1	Switch ( <b>Charger Interlock</b> )
S3	56263174	1	Switch, Snap SPDT ( <b>Squeegee Reverse</b> )
X1	56397251	1	Charge Connector Assy
10	56396194	1	Cable Assembly 4 AWG
12	56396193	1	Cable Assembly 4 AWG
*	56396192	1	Harness, Handle Wiring <b>TSB 737</b>
*	56396183	1	Harness, Main Wiring
*	56372673	12	Boot, Battery Post
*	56456460	4	Cable Assembly ( <b>Battery Cable</b> )
*	56416445	1	Cable Assembly ( <b>Battery Cable</b> )
*	56398000	1	Connector Assembly ( <b>Connects to Batteries</b> )
*	56398001	1	Connector Assembly ( <b>Connects to Machine</b> )
***	56397090	1	Bearing B.E.
***	56397135	1	Bearing F.E.
***	56397048	1	Brush Board Assy, W/Springs & Brushes
***	56397138	4	Brush Spring
***	56039276	4	Brush Assy

\* = Not Shown

\*\*\* = Replacement Parts for 56635645 & 56397296

**NOTE #1:** ConvertaMAX™ 34 before SN1521967 / I-MAX™ 34HD before SN1517856

**NOTE #2:** ConvertaMAX™ 34 after SN1521966 / I-MAX™ 34HD after SN1517855





Nilfisk-Advance, Inc.  
14600 21st Avenue North  
Plymouth, MN, 55447-3408  
[www.nilfisk-advance.com](http://www.nilfisk-advance.com)  
Phone: 800-989-2235  
Fax: 800-989-6566  
©2002 Nilfisk-Advance, Inc.,  
Plymouth, MN 55447-3408  
Printed in the U.S.A.