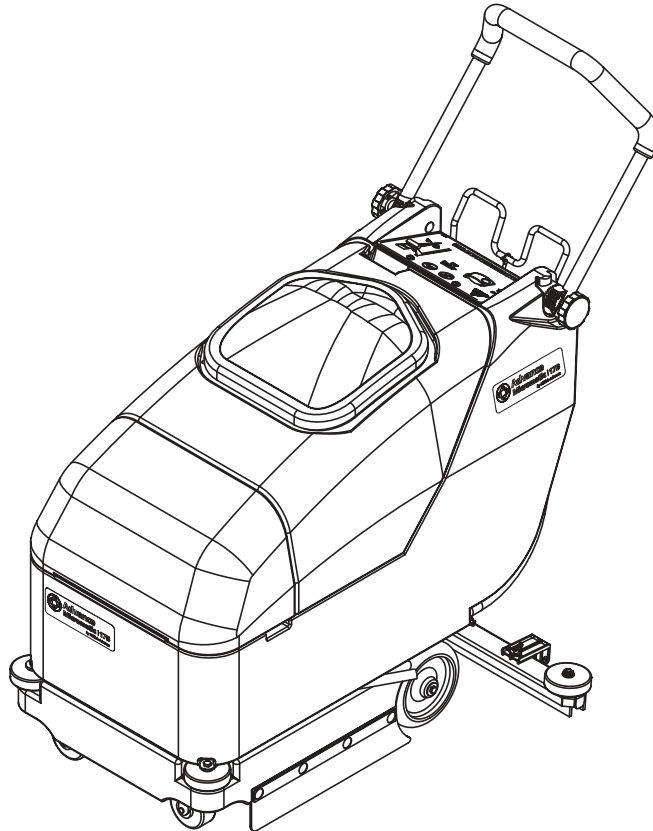


# Micromatic™ 17B

---



## **PARTS LIST**

**Advance MODEL 56302100**

**This parts list is for machines after serial number 1153373**



**Advance**

*by Nilfisk-Advance*

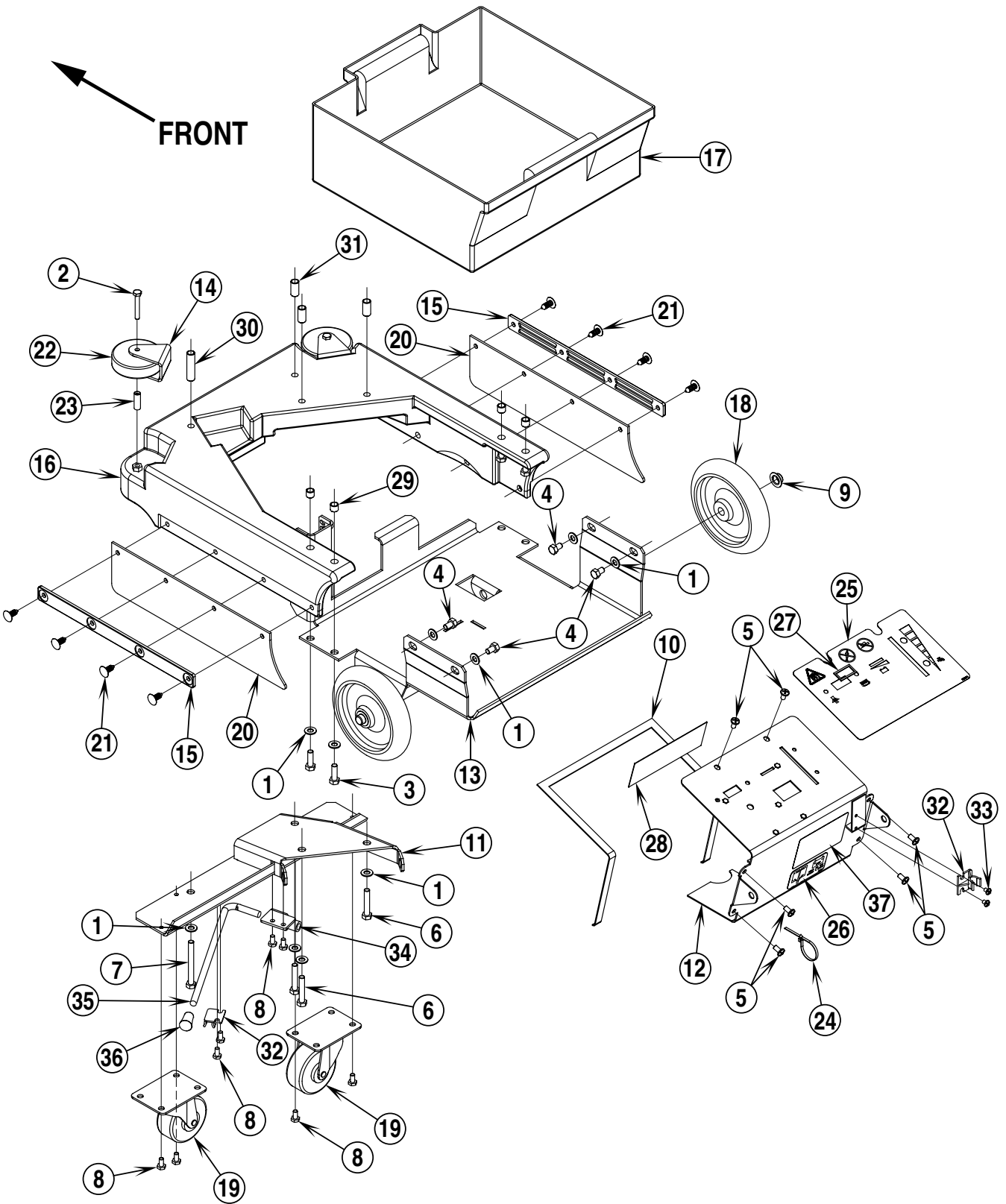
9/96 revised 8/01 FORM NO. 56042317

<b>DESCRIPTION</b>	<b>PAGE</b>
Chassis System .....	4-5
Solution System .....	6-7
Recovery System .....	8-9
Squeegee System .....	10-11
Brush Drive System .....	12-13
Electrical System / Wiring Diagram .....	14-15

#### WHEN ORDERING PARTS

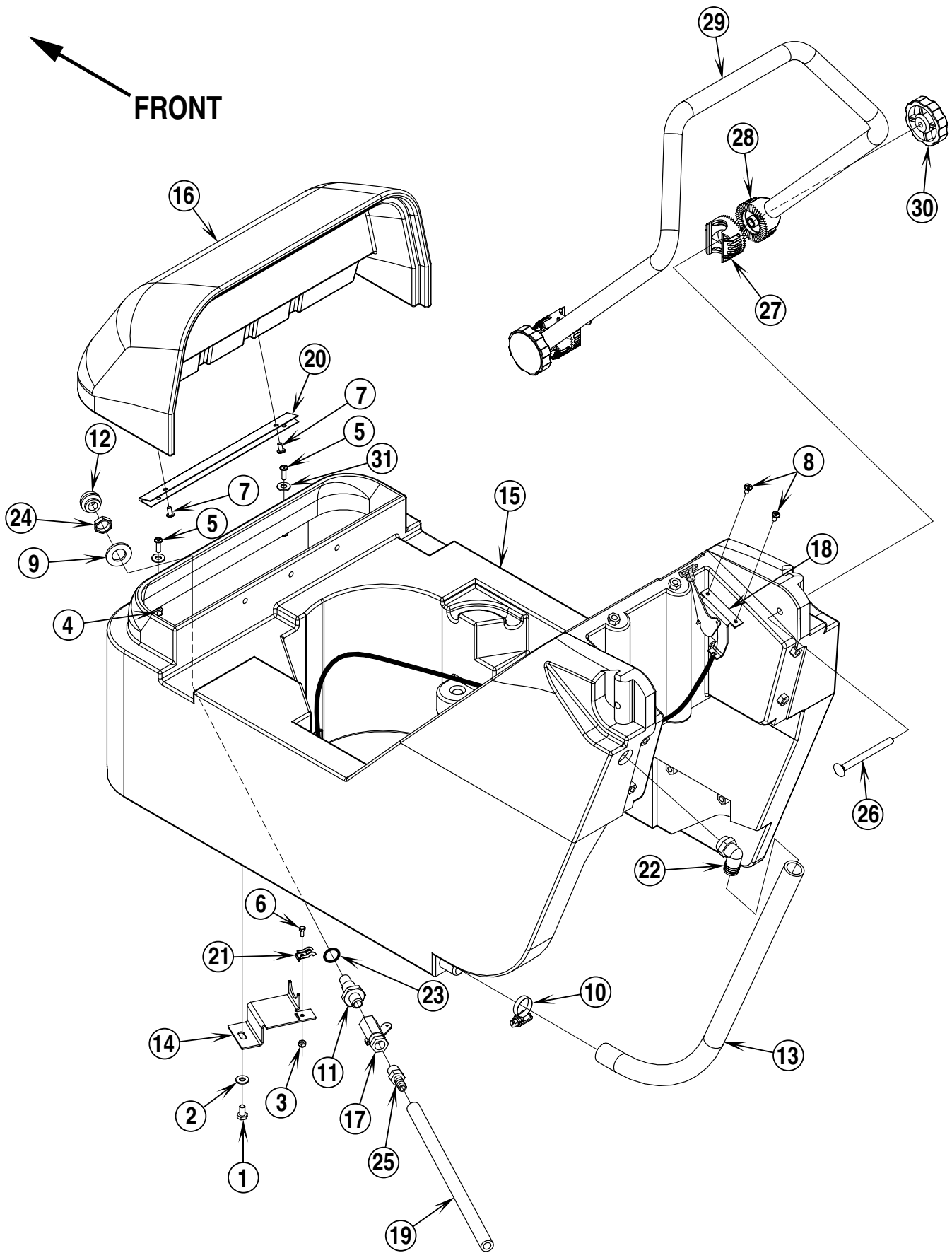
- \* Use the 8 digit numbers from the "Ref. No." columns in this parts list.
- \* Specify the model and serial number of the machine.
- \* Use the space below to record the model and serial number for future reference.

Model \_\_\_\_\_ Serial No. \_\_\_\_\_



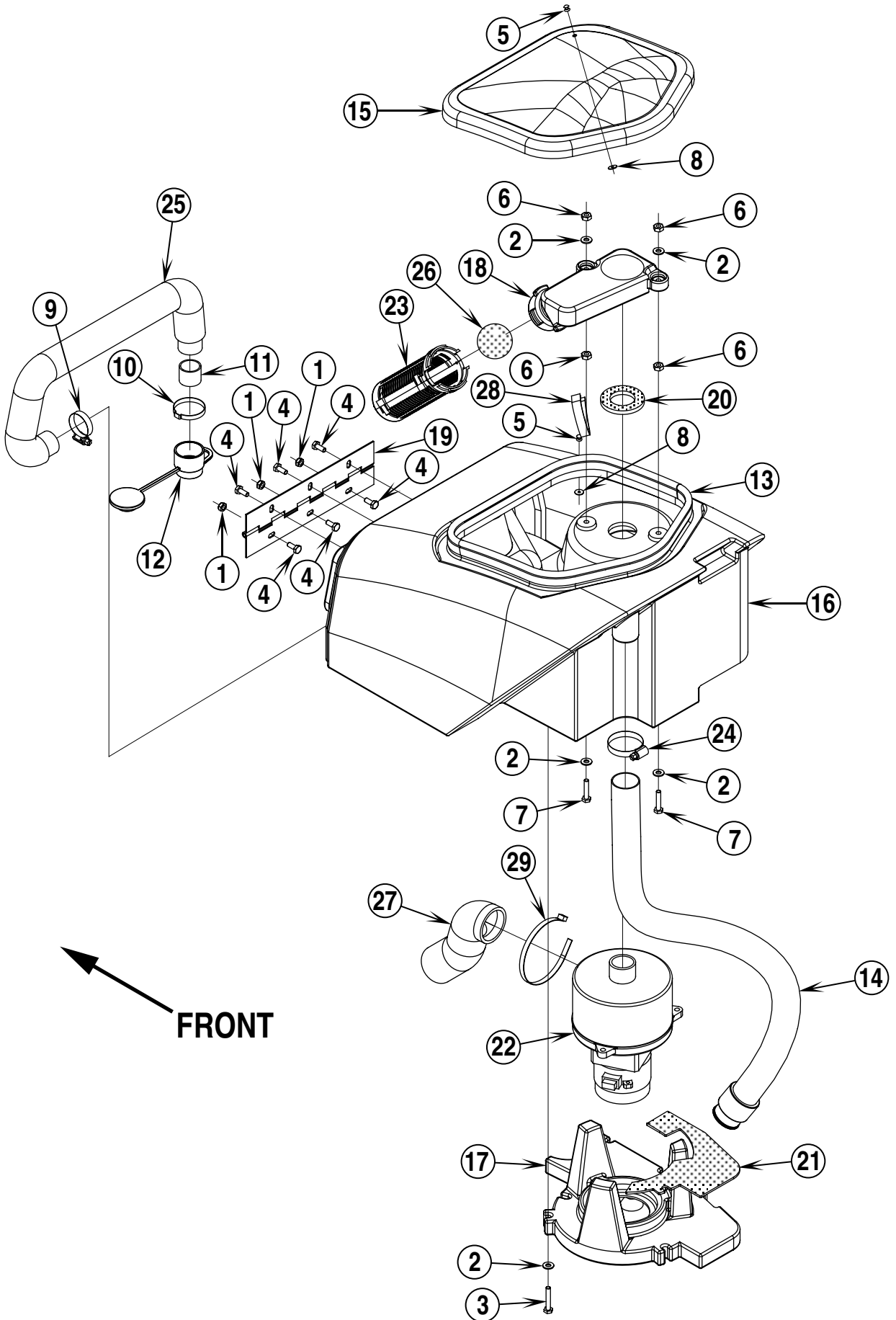
96-9	<b>CHASSIS SYSTEM</b>			
00-1	<b>Micromatic™ 17B</b>			<b>5</b>

Item	Ref. No.	Qty	Description
1	56001939	12	Wsh, Flt SAE 5/16
2	56001967	2	Scr, Hex Hd 1/4-20 x 1.75
3	56002913	4	Scr, Hex Hd SS 5/16-18 x 1.00
4	56002992	4	Scr, Hex Hd SS 5/16-18 x .50
5	56003119	6	Scr, Pan Phil SS 1/4-20 X .50
6	56003333	3	Scr, Hex SS 5/16-18 X 1.75
7	56003334	1	Scr, Hex SS 5/16-18 X 3.00
8	56009033	4	Scr, Hex Thd Form 1/4-20 X .50
9	56009097	2	Nut, Push Cap 1/2
10	56200754	32.5"	Gasket, RS Strip (82.55 cm)
11	56302101	1	Caster Mount
12	56302104	1	Control Panel
13	56302116	1	Battery box
14	56302132	2	Bracket, Wheel
15	56302135	2	Strap
16	56302139	1	Skirt
17	56302143	1	Battery Tray
18	56302151	2	Wheel
19	56302152	2	Caster ( <b>before February 2000</b> )
	56302319	2	Wheel, Caster ( <b>after January 2000</b> )
20	56302157	2	Blade
21	56302183	8	Clip, Panel
22	56324499	2	Wheel 3.00
23	56360139	2	Bushing
24	56900236	1	Tie, Pushmount
25	56015904	1	Decal, Control Panel
26	56015917	1	Decal, Cable Routing
27	56302189	1	Gasket
28	S90007	6"	Electrical Tape (15.25 cm)
29	56302193	4	Spacer
30	56302192	1	Spacer
31	56302191	3	Spacer
32	56302248	2	Clip
33	56009012	2	Scr, Hex Thd Form 10-24 x .38
34	56302249	1	Kickstand Weldment
35	56302247	1	Rod
36	56302244	1	Tip, Rubber
37	56016077	1	Decal, Wear Items Micromatic 17B



96-9	<b>SOLUTION SYSTEM</b>		
01-2	<b>Micromatic™ 17B</b>		<b>7</b>

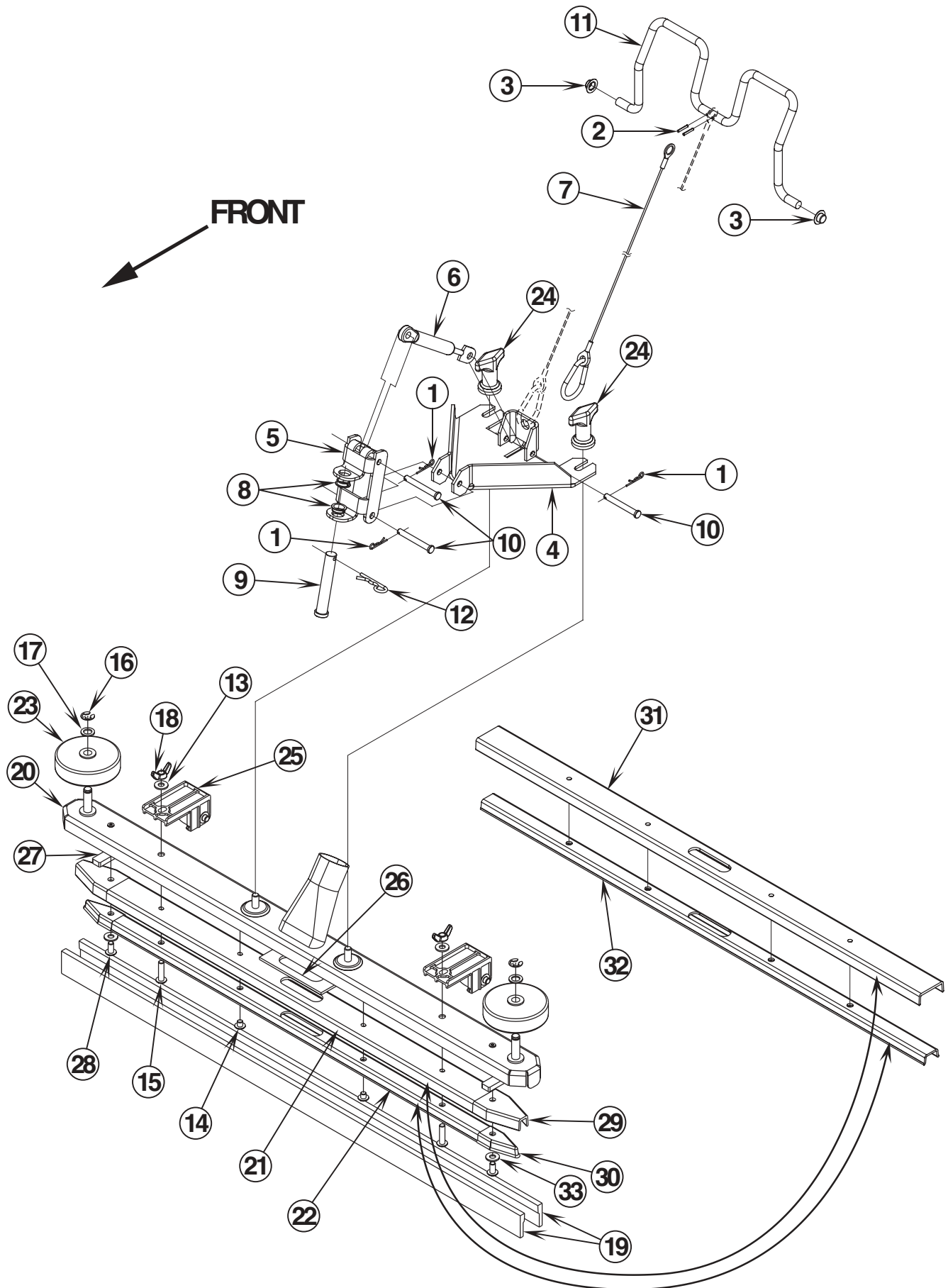
Item	Ref. No.	Qty	Description
1	56001854	1	Scr, Hex Hd 1/4-20 X .50
2	56002098	1	Wsh, Flt SAE 1/4
3	56002830	1	Nut, Hex Nyl Loc 6-32
4	56002836	2	Nut, Hex Nyl Loc SS 10-24
5	56002896	2	Scr, Pan Phil SS 10-24 x .62
6	56003068	1	Scr, Hex hd 6-32 x .38
7	56003189	2	Scr, Pan Phil SS 10-24 x .38
8	56009030	2	Scr, Pan Phil Thd Form 10-24 x .38
9	56009218	1	Wsh, Flt .68 x 1.25 x .12
10	56112771	1	Hose Clamp
11	56172075	1	Nipple, 1/4 NPT x 5/8-18
12	56172096	1	Strainer <b>(solution)</b>
13	56228400	1	Solution Drain Hose
14	56302133	1	Bracket, Cable
15	56302137	1	Solution Tank
16	56302140	1	Cover, Solution Tank
17	56302158	1	One-Way Ball Valve <b>(solution)</b>
18	56302159	1	Control Cable <b>(solution valve)</b>
19	56302161	1	Solution Feed Hose
20	56302168	1	Hinge
21	56344265	1	Clamp, Cable
22	56456802	1	Barb, 90° Elbow 11/16 x 3/4 NPT
23	56742552	1	O-Ring
24	56745860	1	Nut, Jam 5/8-18 Brass
25	56900034	1	Barb, Adapter 3/8 x 1/4 NPT
26	56009227	2	Scr, Carriage 5/16-18 x 3.50
27	56264123	2	Ratchet
28	56264118	2	Ratchet
29	56302150	1	Handle Tube
30	56302167	2	Knob
31	56009011	2	Wsh, Int Shprf #10



96-9	<b>RECOVERY SYSTEM</b>		
01-2	<b>Micromatic™ 17B</b>		<b>9</b>

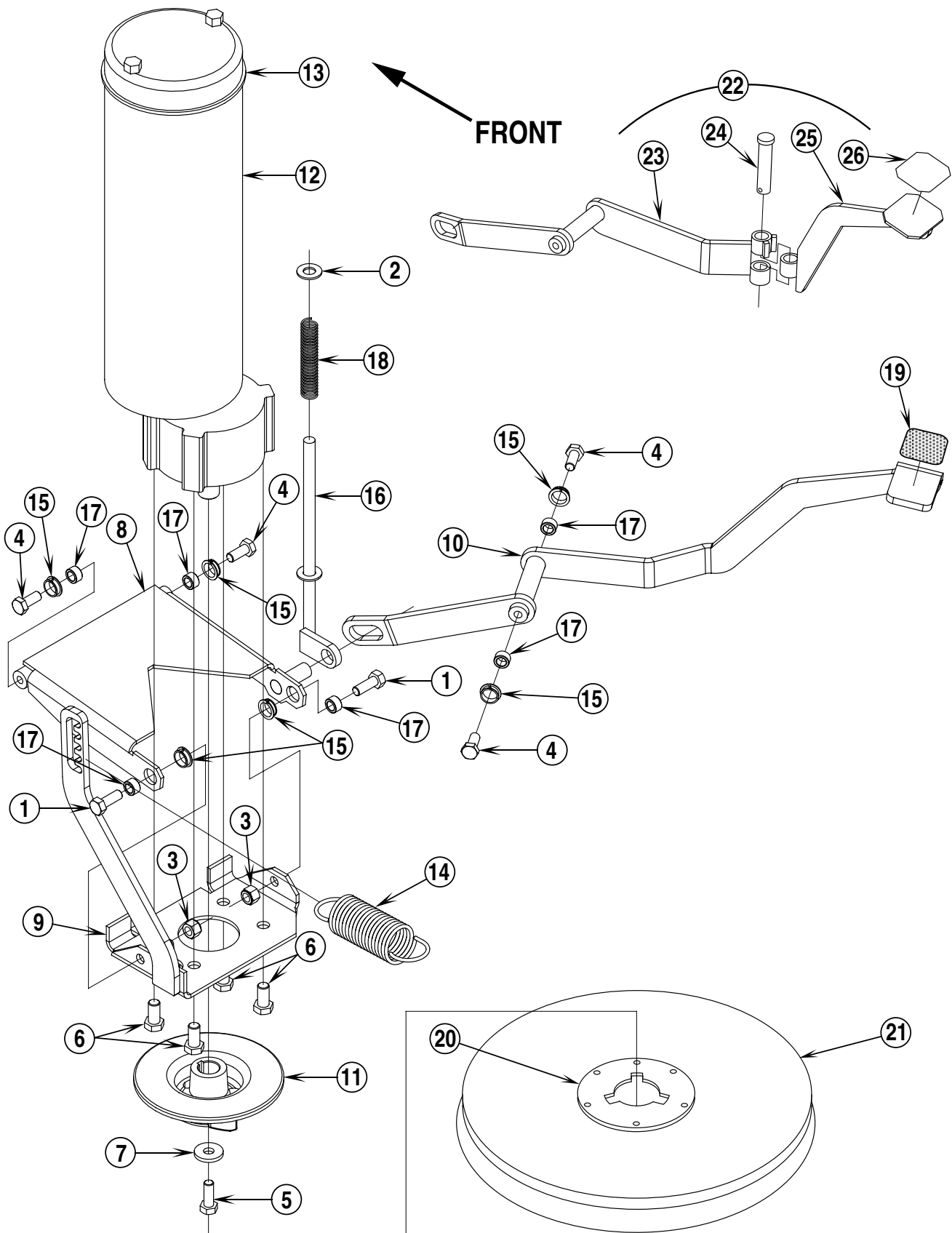
Item	Ref. No.	Qty	Description
1	56002850	3	Nut, Hex Nyl Loc-Thin 1/4-20
2	56002859	8	Wsh, Flt SAE SS 1/4
3	56002901	4	Scr, Hex Hd SS 1/4-20 x 1.50
4	56003047	6	Scr, Hex Hd SS 1/4-20 x .62
5	56003293	2	Rivet, Pop
6	56003145	4	Nut, Hex Jam 1/4-20
7	56003125	2	Scr, Hex Thd To Hd 1/4-20 x 1.25
8	56009098	2	Wsh, Flt .12 x .50 x .03
9	56131601	1	Clamp, Hose SAE #16
10	56209547	1	Clamp, One Ear, 1.75
11	56261266	1	Tube
12	56209506	1	Drain Plug
13	56302551		41" Gasket (102 cm)
14	56262574	1	Hose, Squeegee
15	56302136	1	Recovery Tank Cover
16	56302138	1	Recovery Tank
17	56302141	1	Vac Motor Duct
18	56302142	1	Float Duct
19	56302154	1	Hinge
20	56302165	1	Gasket
21	56302182	1	Gasket
22	56324489	1	Vac Motor Assembly
*	56503003	1	Carbon Brush Set
23	56324497	2	Cage, Float (2 piece)
24	56329145	1	Clamp, Hose SAE #24
25	56386035	1	Hose, Recovery Tank Drain
26	56391690	1	Ball, Float
27	56391807	1	Hose, Vac Exhaust
28	56409535	1	Strap, Retaining
29	56477613	1	Tie, Cable





96-9	<b>SQUEEGEE SYSTEM</b>		
02-8	<b>Micromatic™ 17B</b>		<b>11</b>

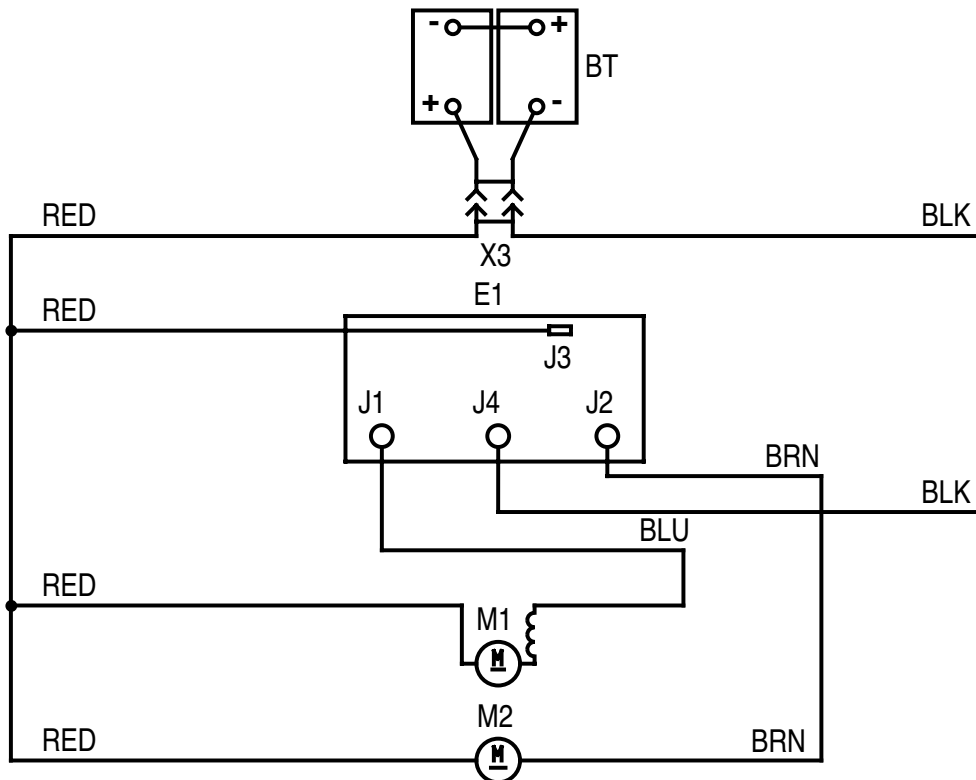
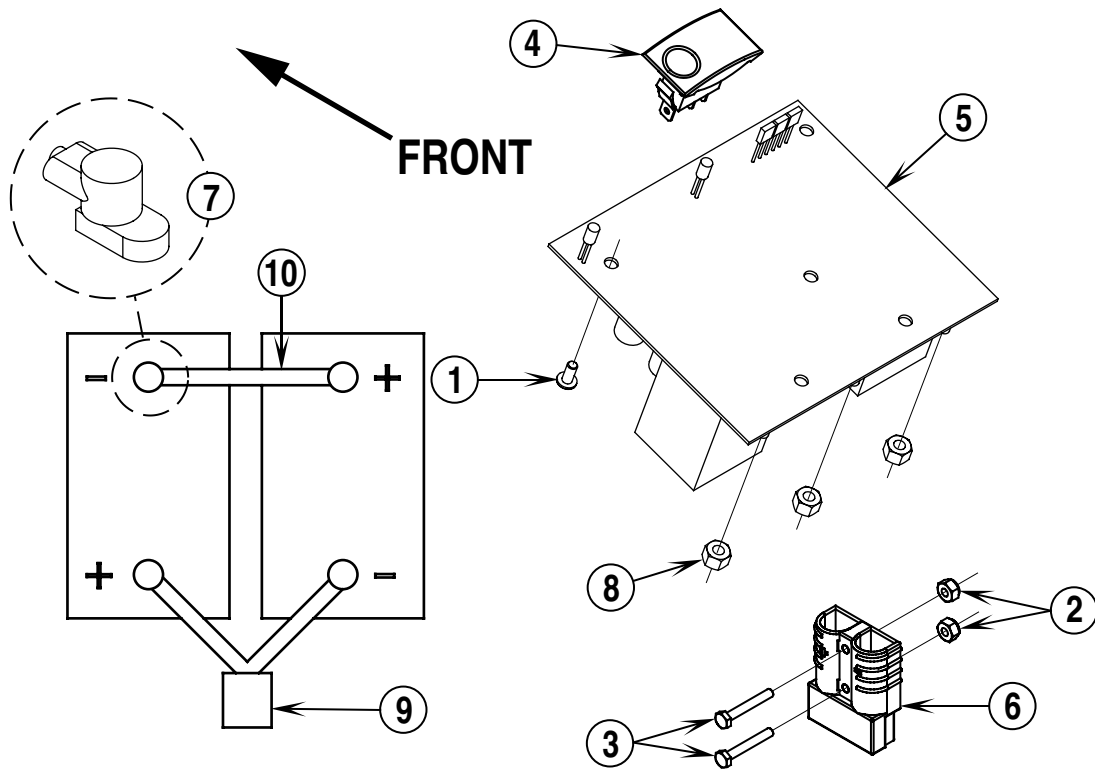
Item	Ref. No.	Qty	Description
1	56003332	3	Pin, Cotter Hair .04 x .18
2	56003391	2	Pin, Groove .09 x .62
3	56009123	2	Nut, Push Cap 3/8
4	56302127	1	Squeegee Mount
5	56302131	1	Pivot Bracket
6	56302153	1	Gas, Spring ( <b>cylinder</b> )
7	56302162	1	Cable Assembly ( <b>squeegee lift</b> )
8	56302164	2	Bearing, Flange
9	56003191	1	Clevis, Pin .50 x 3.00
10	56003192	3	Clevis, Pin .250 x 2.00
11	56302190	1	Handle ( <b>squeegee lift</b> )
12	56003222	1	Pin, Cotter Hair
	56302145	1	Squeegee Assembly ( <b>#13-30</b> )
13	56002098	2	Wsh, Flt SAE 1/4
14	56003037	2	Scr, Pan Phil SS 1/4-20 x .25
15	56003067	2	Scr, Pan Phil SS 1/4-20 x 1.00
16	56003269	2	Ring, Retainer
17	56009047	4	Wsh, Flt .39 x .62 x .06
18	56009048	2	Nut, Wing Loc 1/4-20
19	56105569	2	Blade, Molded
20	56302146	1	Squeegee Tool
21	56302323	1	Channel
22	56302324	1	Retainer
23	56324499	2	Wheel 3.00
24	56370711	2	Nut, Thumb
25	56387376	2	Roller Assembly
26	56400613	1	Gasket
27	56400614	2	Gasket
28	56003119	2	Scr, Pan Phil SS 1/4-20 x .50
29	56302316	2	Squeegee Housing
30	56302315	2	Squeegee Cartridge
31	56302180	1	Channel, Squeegee Blade ( <b>before February 2000</b> )
32	56302181	1	Retainer, Squeegee Blade ( <b>before February 2000</b> )
33	56002859	2	Wsh, Flt SAE SS 1/4
	56302197	A/R	Squeegee Blade Cartridge ( <b>for machines built before February 2000</b> ) ( <b>items 14, 15, 19, 26, 27, 31 &amp; 32</b> )
	56302326	A/R	Squeegee Cartridge Assembly ( <b>for machines built after January 2000</b> ) ( <b>items 14, 15, 18, 19, 21, 22, 28, 29, 30 &amp; 33</b> )



96-9	<b>BRUSH DRIVE SYSTEM</b>			
01-2	<b>Micromatic™ 17B</b>			<b>13</b>

Item	Ref. No.	Qty	Description
1	56002037	2	Scr, Hex Hd 5/16-18 x .88
2	56002063	1	Wsh, Flt SAE 3/8
3	56002701	2	Nut, Hex Nyl Loc 5/16-18
4	56002956	4	Scr, Hex Hd 5/16-18 x .75
5	56003335	1	Scr, Hex Loc SS 5/16-18 x .88
6	56003338	4	Scr, Hex Loc SS 3/8-16 x .75
7	56009122	1	Wsh, Flt .34 x .93 x .12
8	56302108	1	Linkage
9	56302112	1	Motor Mount
10	56302122	1	Lift Weldment ( <b>obsolete, order item #22 to replace</b> )
11	56302130	1	Drive Lug <b>TSB 682</b>
12	56302144	1	Brush Drive Motor
13	56302155	1	Gasket
14	56302160	1	Spring, Extension ( <b>spring hooks into second notch from bottom at both ends</b> )
15	56302164	6	Bearing, Flange
16	56302172	1	Rod
17	56320595	6	Bushing
18	56452141	1	Spring
19	56302173	1	Grip Surface
20	56506006	1	Clutch Plate, Universal
21	56505910	1	Short-Trim Pad Holder ( <b>optional</b> )
**	56505918	1	MidLite Grit™ 180 Brush (old style)
**	56505917	1	Mid Grit™ 240 Brush (old style)
**	56505913	1	AgLite™ 500 Brush (old style)
**	56505914	1	Prolene Brush (old style)
**	56505915	1	ProLite™ Brush (old style)
**	56505916	1	Union Mix Brush (old style)
**	56505270	1	Level-Set Pad Holder (old style)
22	56302321	1	Pedal Assembly (includes items 23-26) ( <b>after January 2000</b> )
23	56302325	1	Lower Pedal Weldment
24	56003620	1	Clevis Pin
25	56302314	1	Upper Pedal Weldment
26	56721255	1	Pad, Foot Pedal

\*\* = Optional



96-9	<b>ELECTRICAL SYSTEM / WIRING DIAGRAM</b>		
01-2	<b>Micromatic™ 17B</b>		<b>15</b>

Item	Ref. No.	Qty	Description
1	56001818	5	Scr, Pan Phil 8-32 x .38
2	56002830	2	Nut, Hex Nyl Loc 6-32
3	56003009	2	Scr, Hex Hd 6-32 x 1.00
4	56302156	1	Rocker Switch ( <b>Vac / Brush</b> )
5	56302185	1	Controller Assembly
6	56324305	1	Machine Battery Connector ( <b>part of Wiring Harness #302149</b> )
*	56302179	2	Replacement Contact for 56324305
7	56302194	4	Battery Terminal Cover
8	56002873	3	Nut, Hex Nyl Loc 10-32
9	56302174	1	Battery Charger Connector ( <b>w/cables</b> )
*	56302166	2	Replacement Contact for 56302174
10	56302225	1	Battery Cable
*	56302198	1	Optional Hour Meter Kit
*	56302196	1	Optional Battery Cart
*	56302149	1	Wiring Harness
*		1	Automatic Battery Charger 24V / 10A ( <b>not included</b> )
BT		A/R	Battery, 24V ( <b>not included</b> )
E1	56302185	1	Controller Assembly
M1	56324489	1	Vacuum Motor
*	56503003	1	Carbon Brush Set
M2	56302144	1	Brush Drive Motor
X3	56324305	1	Charger Connector
*	56302156	1	Rocker Switch ( <b>Vac / Brush, plugs into Controller Assembly #302185</b> )

\* = Not Shown



Nilfisk-Advance, Inc.  
14600 21st Avenue North  
Plymouth, MN, 55447-3408  
[www.nilfisk-advance.com](http://www.nilfisk-advance.com)  
Phone: 800-989-2235  
Fax: 800-989-6566  
©2001 Nilfisk-Advance, Inc.,  
Plymouth, MN 55447-3408  
Printed in the U.S.A.