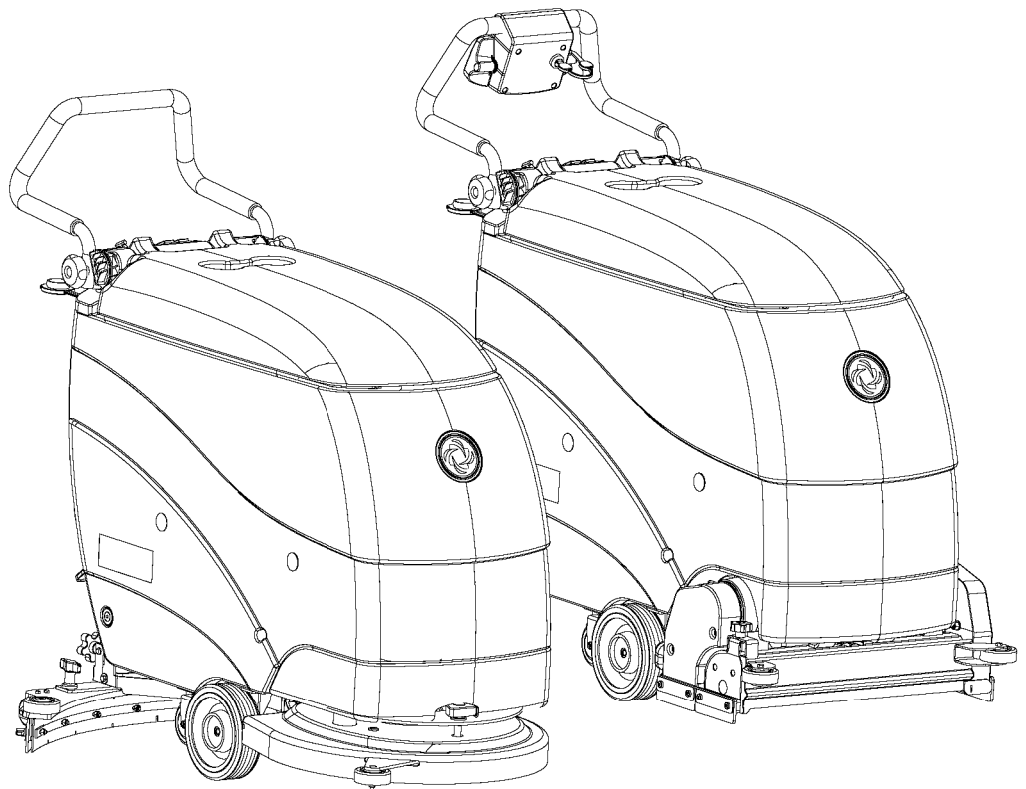


Micromax™ 17B - 20B

Micromax™ 20DD - 20DC



PARTS LIST

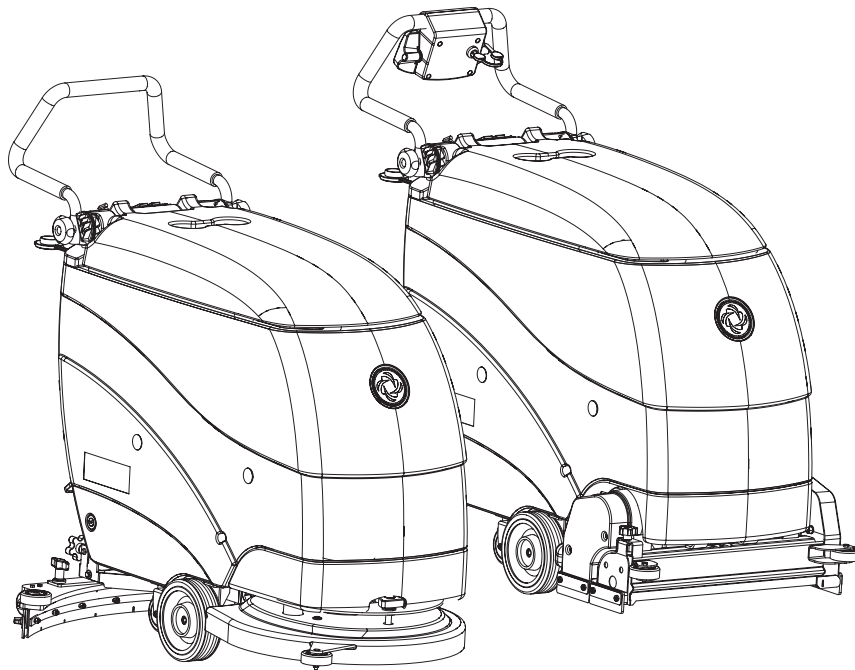
Advance models:

908 7043 020 – 908 7044 020 – 908 7045 020 – 908 7046 020



Advance
by Nilfisk-Advance

909 5427 000(2)2005-02

**DESCRIPTION****PLAN**

GENERAL VIEW	2 - 3
TANK SYSTEM	4 - 7
CHASSIS SYSTEM Micromax™ 17B-20B	8 - 9
CHASSIS SYSTEM Micromax™ 20DD-20DC	10 - 11
HANDLE ASSEMBLY Micromax™ 20DD-20DC	12 - 13
SOLUTION SYSTEM Micromax™ 17B-20B	14 - 17
SOLUTION SYSTEM Micromax™ 20DD-20DC	18 - 19
SQUEEGEE ASSEMBLY	20 - 21
DISC SCRUB DECK SYSTEM Micromax™ 17B	22 - 23
DISC SCRUB DECK SYSTEM Micromax™ 20B - 20DD	24 - 25
CYLINDRICAL SCRUB DECK SYSTEM Micromax™ 20DC	26 - 27
CONTROL PANEL SYSTEM	28 - 29
WIRING SYSTEM Micromax™ 17B-20B	30 - 31
WIRING SYSTEM Micromax™ 20DD-20DC	32 - 33
WIRING DIAGRAM Micromax™ 17B-20B	34
WIRING DIAGRAM Micromax™ 20DD-20DC	35
ACCESSORIES	36
RECOMMENDED SPARE PARTS	37

WHEN ORDERING PARTS

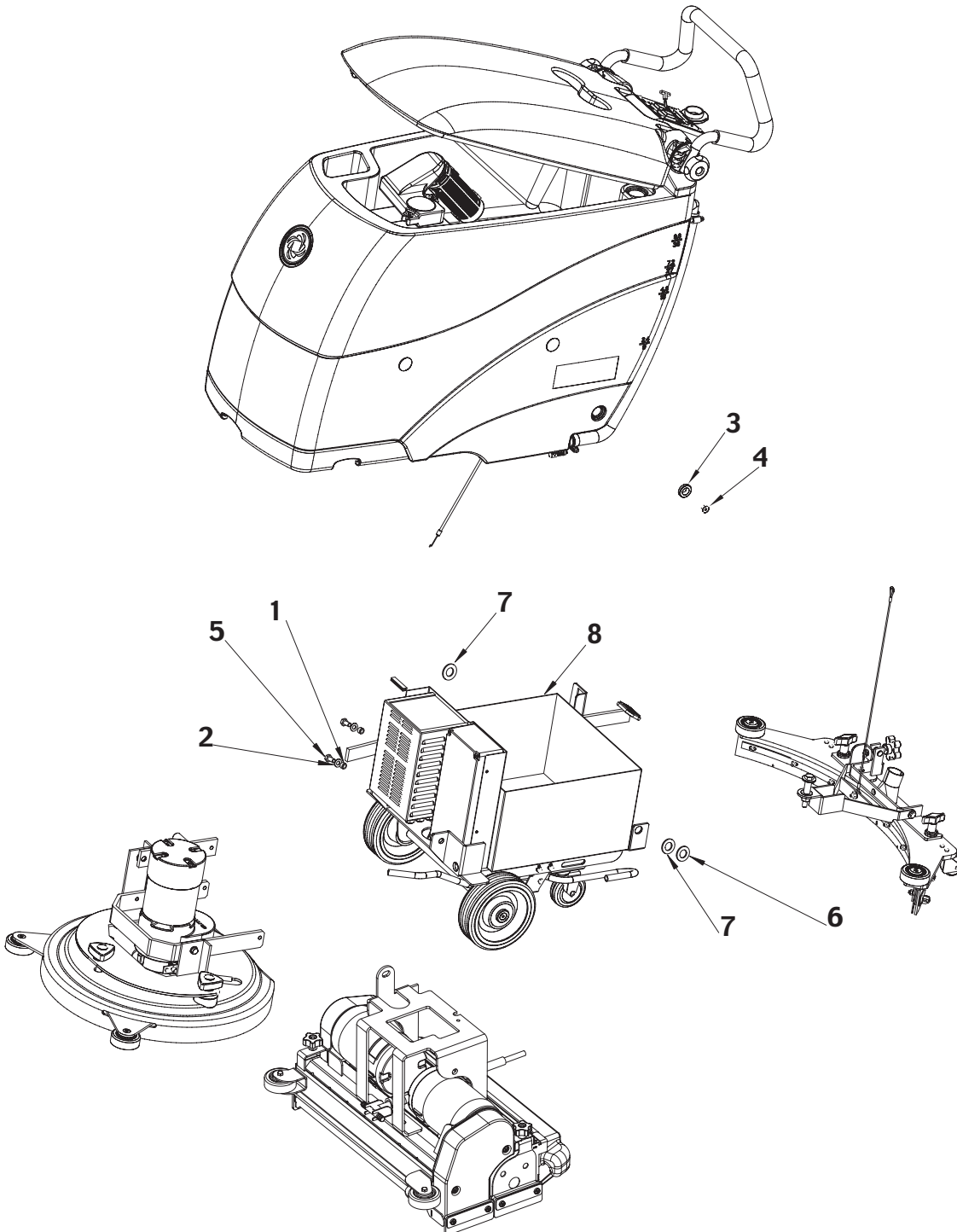
- * Use the 8,9 or 10 digit part numbers from the "Ref. No." columns in this parts list.
- * Specify the model and serial number of the machine.
- * Use the space below to record the model and the serial number for future reference.

Model _____ Serial No. _____

**= *Optional*

= *New Item no.*

[] = *Not shown*



2005-02	GENERAL VIEW		
2004-02	MICROMAX™ 17B/ 20B/ 20DD/ 20DC		3

Item no.	Ref. No.	Qty	Description
1	xxxxxxx	3	Spacer (General Hardware Kit)
2	xxxxxxx	3	Washer flat M8x17(General Hardware Kit)
3	xxxxxxx	2	Spacer for tank (General Hardware Kit)
4	xxxxxxx	2	Screw M8x12 (General Hardware Kit)
5	xxxxxxx	3	Screw hex hd M8x16 (General Hardware Kit)
6	xxxxxxx	1	Washer flat nylon (General Hardware Kit)
7	xxxxxxx	1	Washer flat nylon (General Hardware Kit)
8#	L08812758	1	Battery container
[9]	909 5441 000	1	Kit decals Micromax™ 17B (Decal Advance Micromax™ 17B, decal Instructions, decal Nilfisk round, decals brush adjusting, decal fuse 40A, decal fuse 50A, decal batteries, decal water faucet, decal warning)
[9]	909 5442 000	1	Kit decals Micromax™ 20B (Decal Advance Micromax™ 20B, decal Instructions, decal Nilfisk round, decals brush adjusting, decal fuse 40A, decal fuse 50A, decal batteries, decal water faucet, decal warning)
[9]	909 6011 000	1	Kit decals Micromax™ 20DD - 20DC (Decal Advance Micromax™ 20DX, decal Instructions, decal Nilfisk round, decals brush adjusting, decal fuse 40A, decal fuse 50A, decal fuse 30A, decal batteries, decal water faucet, decal warning, decal on-off, decal battery clamp plus, decal battery clamp minus)
[10]#	L08603955	1	General Hardware Kit (1,2,3,4,5,6,7)

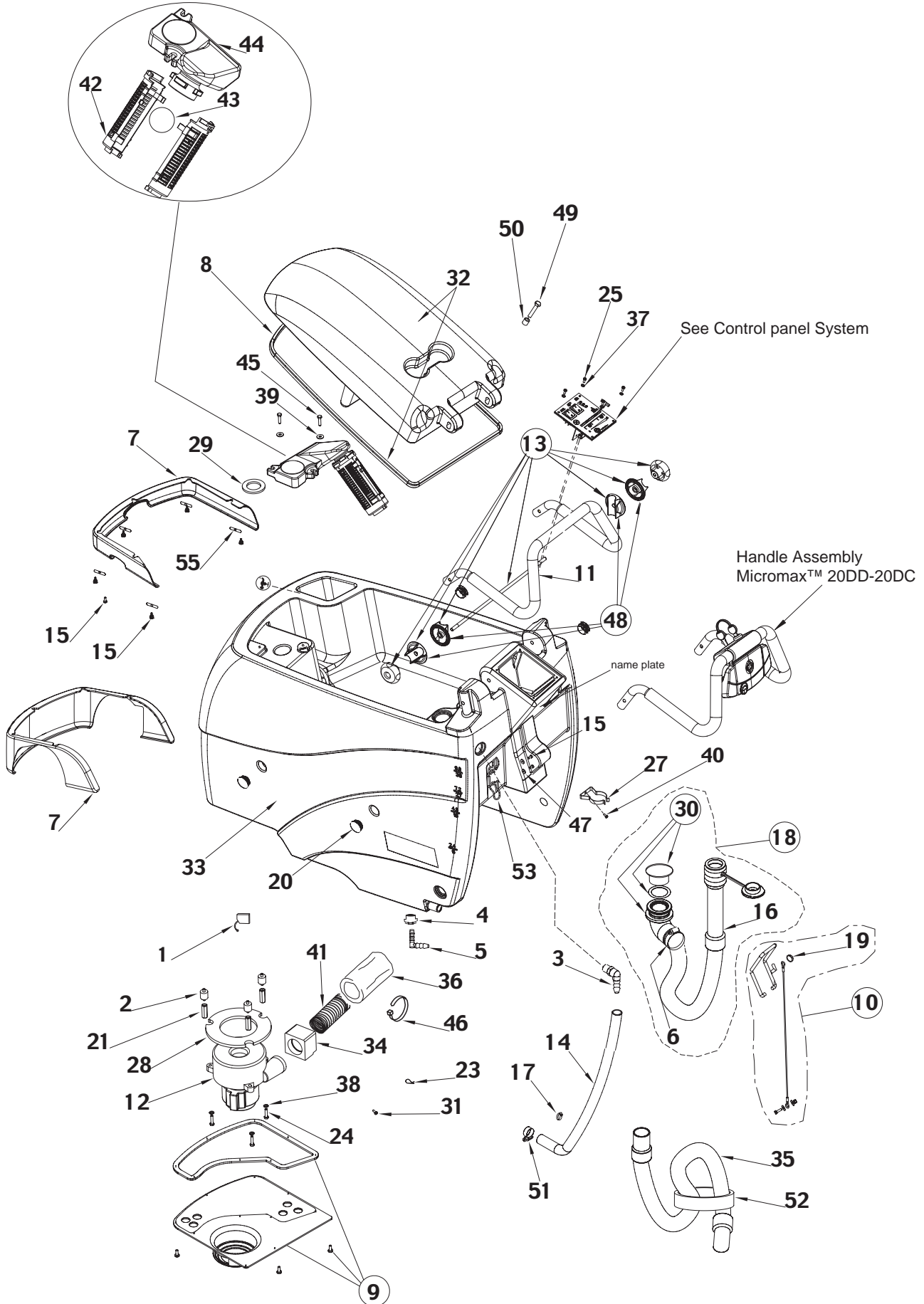
TANK SYSTEM

2005-02

4

MICROMAX™ 17B/ 20B/ 20DD/ 20DC

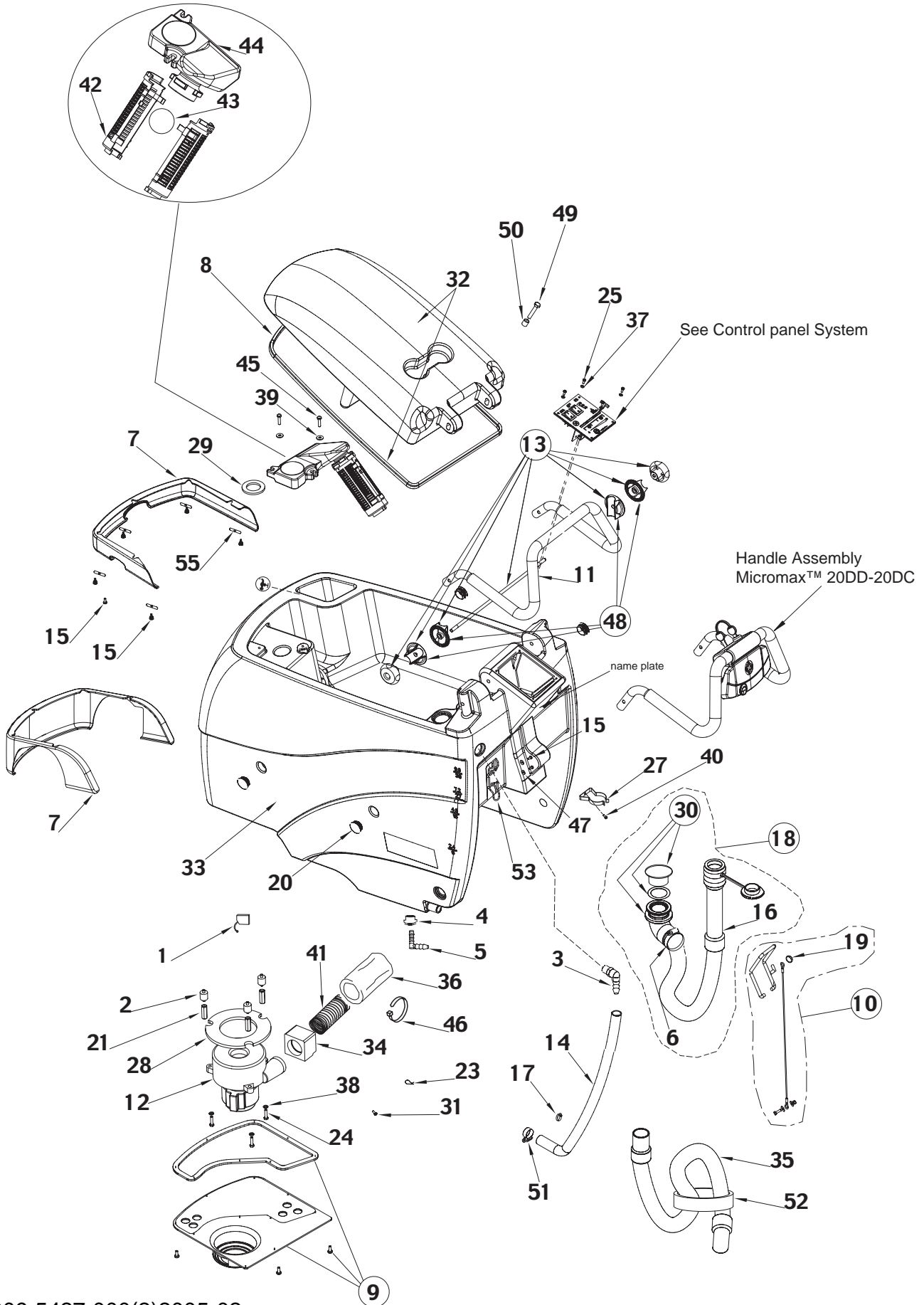
2004-02



2005-02	TANK SYSTEM			
2004-02	MICROMAX™ 17B/ 20B/ 20DD/ 20DC			5

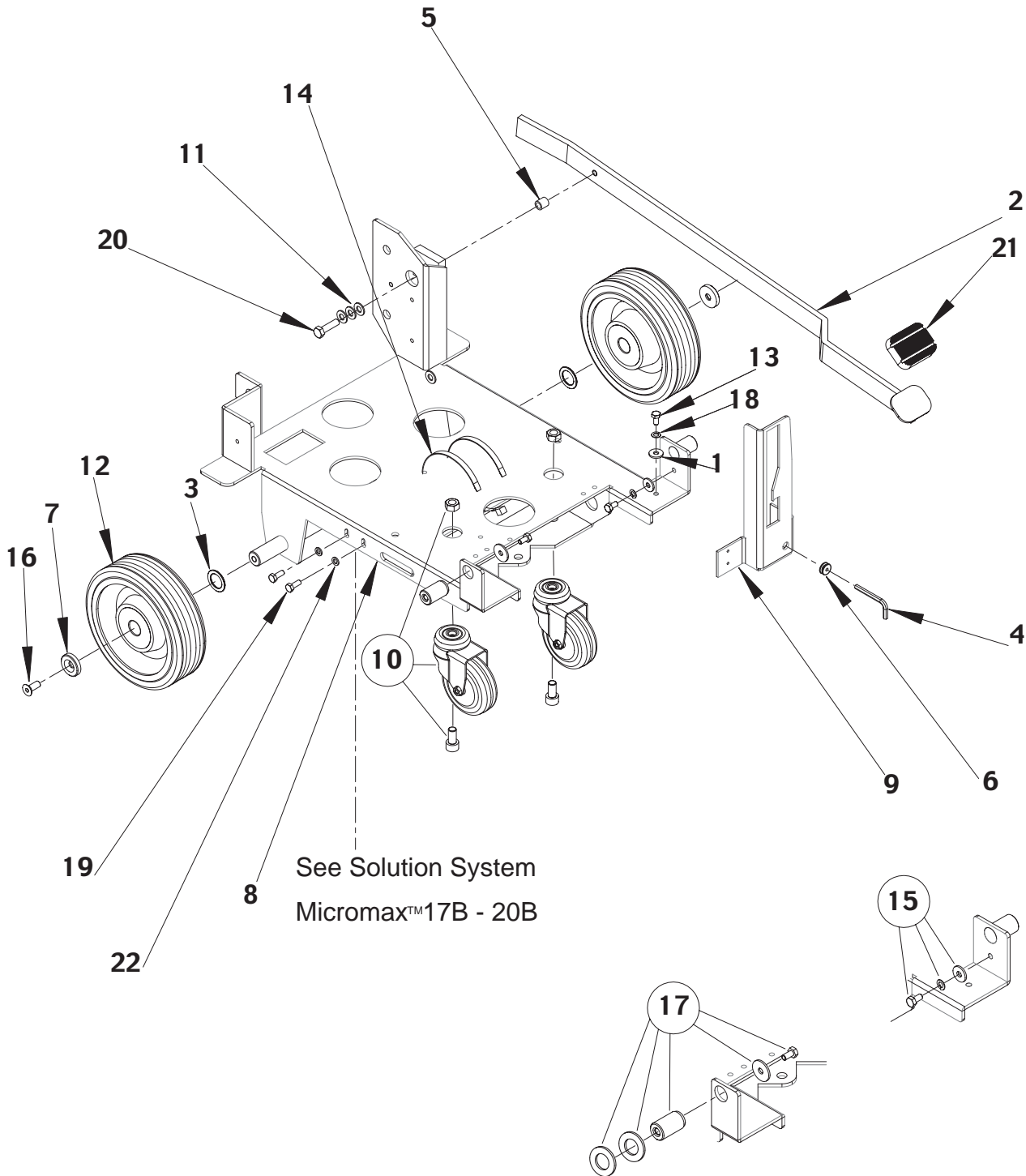
Item no.	Ref. No.	Qty	Description
1	909 5074 000	1	Kit carbon brush (2 pieces)
2	56325553	3	Buffer
3	56264442	1	Elbow 90°
4	909 5286 000	1	Gasket
5	909 5285 000	1	Elbow 90° ø10 nylon
6	xxxxxxx	1	Clamp (Tank System Hardware Kit-Solution drain hose complete)
7a	909 5423 000	1	Bumper front before serial no.Micromax™17B 1776940 - 20B 1777148
7b	909 5717 000	1	Bumper front preset for cylindrical deck starting from serial no.Micromax™17B 1776940 - 20B 1777148
8	146 0741 000	1	Gasket, tank cover
9	909 5439 000	1	Kit acoustic cover cpl
10#	L08603970	1	Squeegee lifting lever kit
11	909 5422 000	1	Handle bar
12#	L08603888	1	Kit vacuum motor w/ connector
13#	L08603860	1	Handle adjuster kit
14	909 5420 000	1	Solution hose
15	909 5009 000	7	Screw oval hd M5x12 SS
15	909 5835 000	5	Handwheel M5x10 for Micromax™20DD-20DC only
16#	L08812869	1	Drain hose (Solution drain hose complete)
17	xxx xxxx xxx	1	Clamp (Tank System Hardware Kit)
18#	L08812873	1	Solution drain hose complete (6,16,30)
19	xxxxxxx	1	Cap (Tank System Hardware Kit)
20#	L08812457	4	Cap, tank locking
21	56325552	3	Spacer
23	xxxxxxx	3	Clamp (Tank System Hardware Kit)
24	xxxxxxx	3	Screw M6x25 (Tank System Hardware Kit)
25	xxxxxxx	4	Screw 4x14 thd forming SS (Tank System Hardware Kit)
27	xxxxxxx	1	Clamp ø50 SS (Tank System Hardware Kit)
28	56325551	1	Gasket suction motor
29#	L08812968	1	Gasket
30#	L08812874	1	Kit elbow (Solution drain hose complete)
31	xxxxxxx	3	Screw (Tank System Hardware Kit)
32	909 5440 000	1	Tank lid complete with gasket
33	909 5417 000	1	Tank
34	56325520	1	Acoustic insulation
35	909 5583 000	1	Suction Hose
36	145 8589 000	1	Acoustic insulation hose
37	xxxxxxx	4	Washer, flat (Tank System Hardware Kit)
38	xxxxxxx	3	Washer, flat (Tank System Hardware Kit)
39	xxxxxxx	2	Washer, flat (Tank System Hardware Kit)
40	xxxxxxx	1	Screw M5x12 SS (Tank System Hardware Kit)
41	909 5688 000	1	Flexible hose 240 mm length
42	56324497	2	Float cage
43	56391690	1	Floating ball
44#	L08812926	1	Support, float cage
45	xxxxxxx	2	Screw pan hd phil 6x25 SS (Tank System Hardware Kit)
46	xxxxxxx	1	Clamp (Tank System Hardware Kit)
47	145 8280 000	2	Washer flat 5x15 SS
48	909 5099 000	1	Ratchet handle adjuster kit
49	xxxxxxx	1	Screw, tank fixing (Tank System Hardware Kit)

7b modification not interchangeable. Standardization of the bumper.



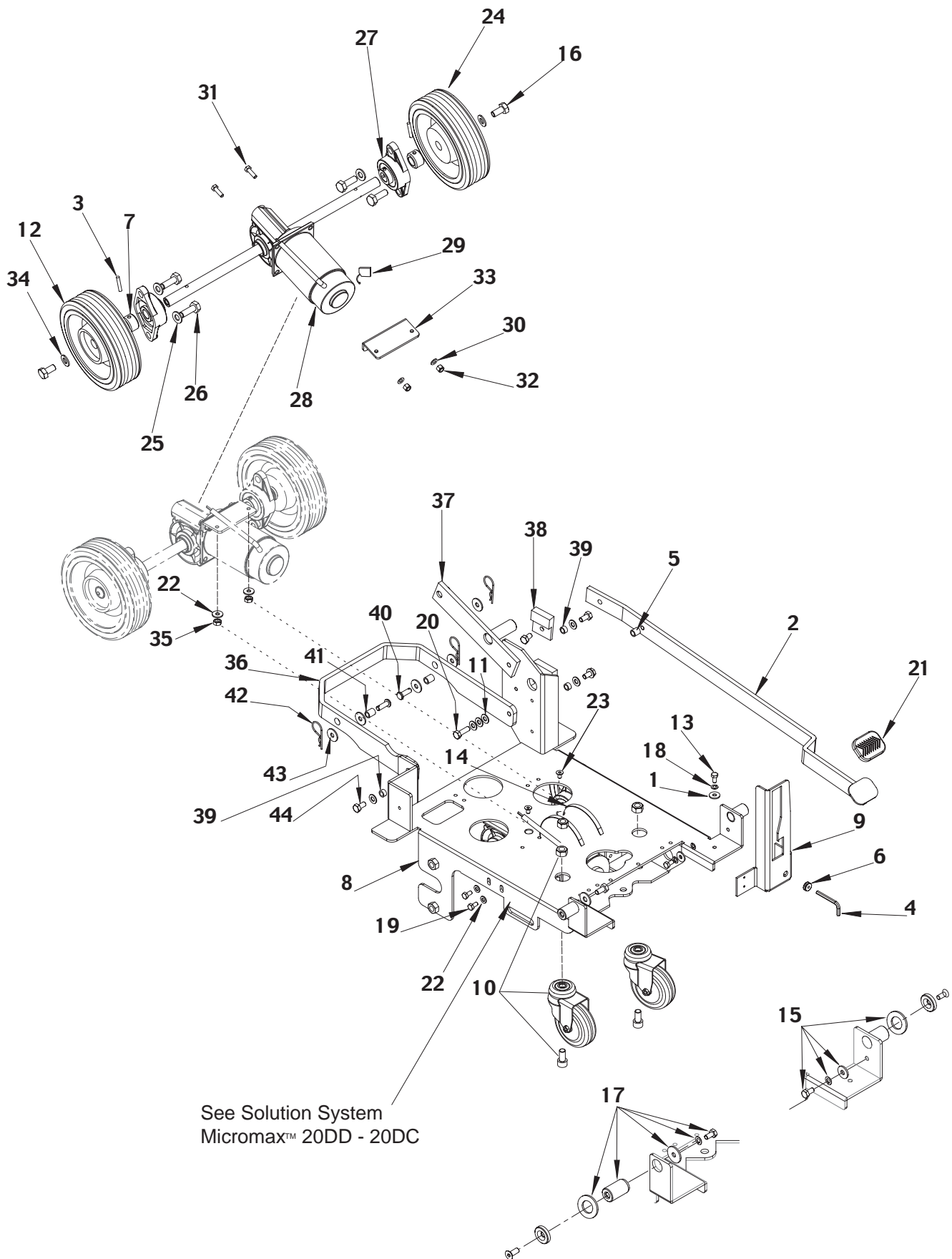
2005-02	TANK SYSTEM		
2004-02	MICROMAX™ 17B/ 20B/ 20DD/ 20DC		7

Item no.	Ref. No.	Qty	Description
50#	L08812449	1	Spacer
51#	L08603916	2	Clamp
52	909 5246 000	1	Rubber band
53	909 5149 000	1	Battery cable support
[54]#	L08603956	1	Tank System Hardware Kit (6,17,19,23,24,25,27,31,37,38,39,40,45,46,49)
55	909 5924 000	5	Plate



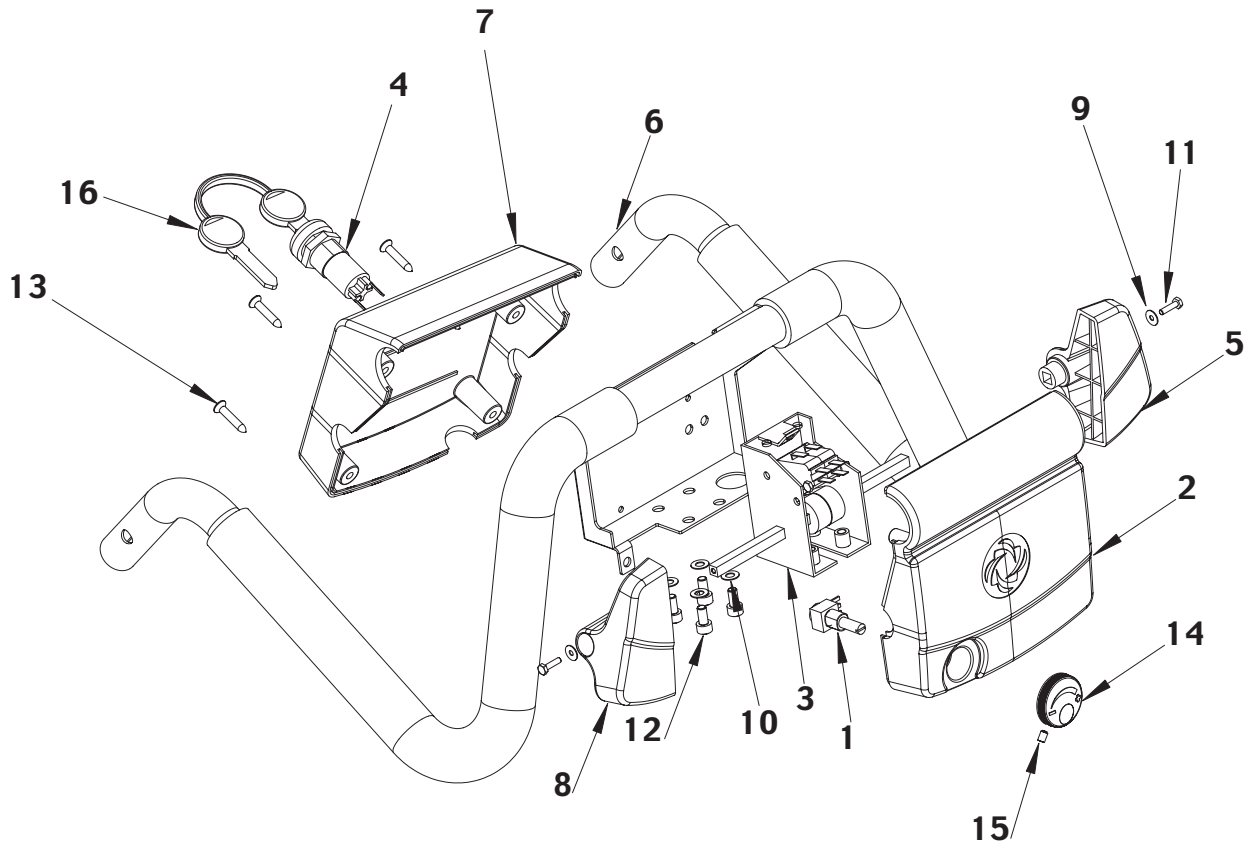
2005-02	CHASSIS SYSTEM		
2004-02	MICROMAX™ 17B/ 20B		9

Item no.	Ref. No.	Qty	Description
1	xxxxxxx	2	Washer flat (Chassis System Hardware Kit)
2#	L08812925	1	Pedal, brush lifting
3#	L08812936	2	Spacer
4	56325785	1	Key
5	56325586	2	Spacer
6	56325786	1	Cable guide
7#	L08812392	2	Spacer
8#	L08812888	1	Chassis
9#	L08812893	1	Guide
10#	L08603861	2	Kit castor wheel rear
11	xxxxxxx	4	Washer flat (Chassis System Hardware Kit)
12#	L08812939	2	Wheel front
12*	909 5707 000	2	Wheel front oil resistant
13	xxxxxxx	3	Screw hex hd M6x12 (Chassis System Hardware Kit)
14	xxx xxx xxx	2	Clamp (Chassis System Hardware Kit)
15#	L08603862	1	Kit tank support right
16	xxx xxx xxx	2	Screw M8x20 (Chassis System Hardware Kit)
17#	L08603863	1	Kit tank support left
18	145 9228 000	2	Washer
19	xxxxxxx	2	Screw hex hd M6x16 (Chassis System Hardware Kit)
20	xxxxxxx	1	Screw hex hd M8x25 (Chassis System Hardware Kit)
21	145 8478 000	1	Pedal cover
22	xxxxxxx	2	Washer flat (Chassis System Hardware Kit)
[23]#	L08603957	1	Chassis System Hardware Kit (1,11,13,14,19,20,22)



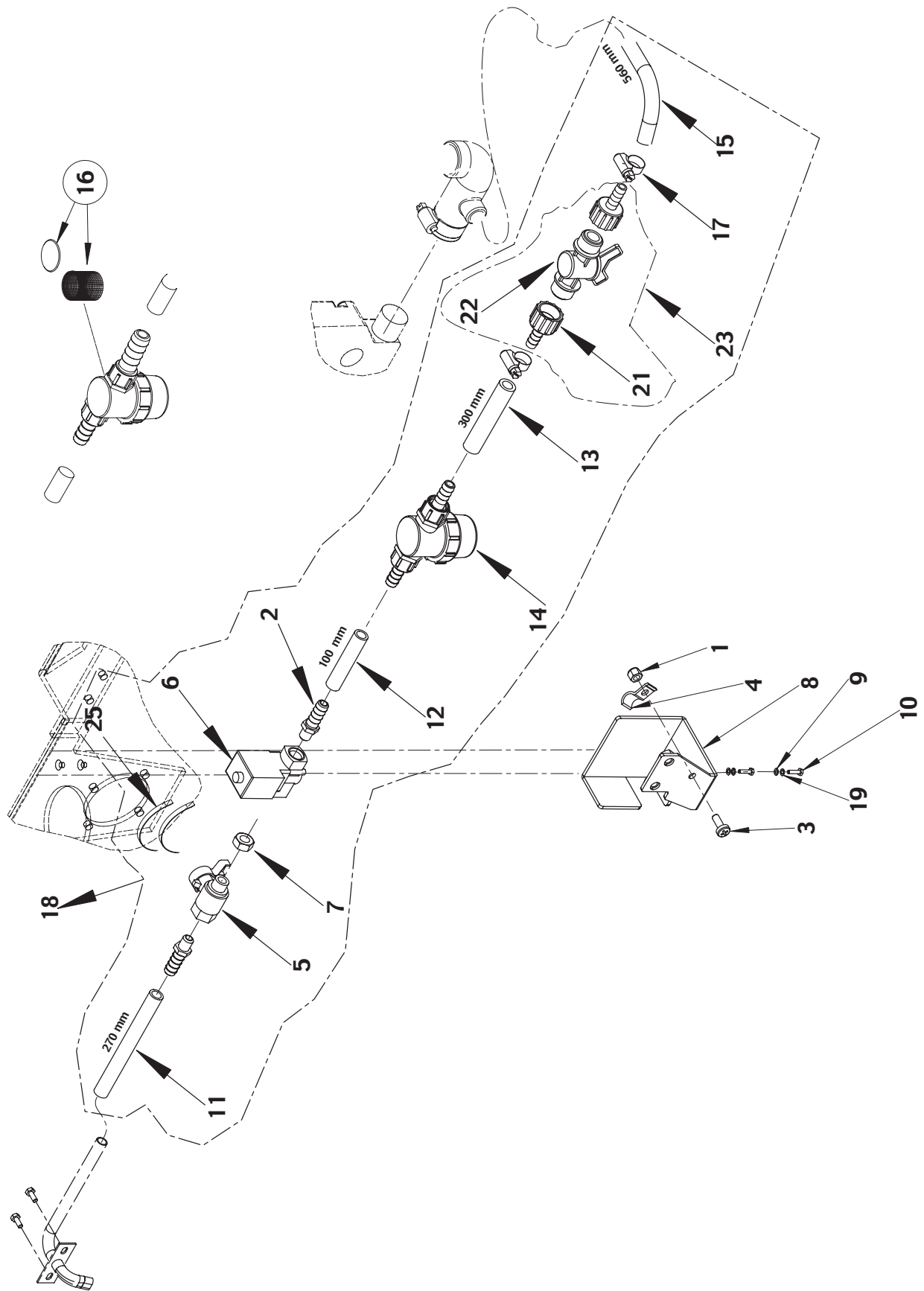
2005-02	CHASSIS SYSTEM		
2004-02	MICROMAX™ 20DD/ 20DC		11

Item no.	Ref. No.	Qty	Description
1	xxxxxxx	2	Washer flat (Chassis System Hardware kit)
2	909 5871 000	1	Pedal brush lifting
3	145 4546 000	2	Pin
4	56325785	1	Key
5	56325586	1	Spacer
6	56325786	1	Cable guide
7	909 5272 000	2	Bush
8	909 5128 000	1	Chassis
9#	L08812893	1	Guide
10#	L08603861	1	Kit castor wheel rear
11	xxxxxxx	4	Washer (Chassis System Hardware kit)
12	909 5112 000	1	Wheel
13	xxxxxxx	2	Screw hex hd M6x12 (Chassis System Hardware kit)
14	xxx xxxx xxx	2	Clamp (Chassis System Hardware kit)
15#	L08603862	1	Kit tank support right
16	145 4473 000	2	Screw M10x20
17#	L08603863	1	Kit tank support left
18	145 9228 000	2	Washer
19	xxx xxxx xxx	2	Screw hex hd M6x16 (Chassis System Hardware kit)
20	xxxxxxx	1	Screw hex hd M8x25 (Chassis System Hardware kit)
21	145 8478 000	1	Pedal cover
22	xxx xxxx xxx	4	Washer flat (Chassis System Hardware kit)
23	145 4488 000	2	Screw M6x16
24	909 5111 000	1	Wheel front right
25	145 1195 000	4	Washer
26	145 9874 000	4	Screw hex hd M10x30
27	909 5131 000	2	Flange
28	909 5271 000	1	Reduction gear motor
29	909 5157 000	2	Carbon brush for reductiongear motor 909 5271 000
30#	L08602395	2	Washer flat
31	145 9227 000	2	Screw hex hd M6x20
32#	L08361400	2	Nut hex M6
33	909 5129 000	1	Bracket
34	145 9320 000	2	Washer
35	145 4527 000	2	Nut M6
36	909 5813 000	1	Frame brush lifting
37	909 5816 000	1	Lever brush lifting
38	909 5822 000	1	Block
39	56325598	2	Bushing
40	909 5815 000	1	Pin
41	909 5821 000	2	Spacer
42	145 4533 000	4	Split pin
43	56325609	5	Washer flat 8x24
44#	L08274300	2	Screw hex hd M8x16
[45]#	L08603957	1	Chassis System Hardware Kit (1,11,13,14,19,20,22)



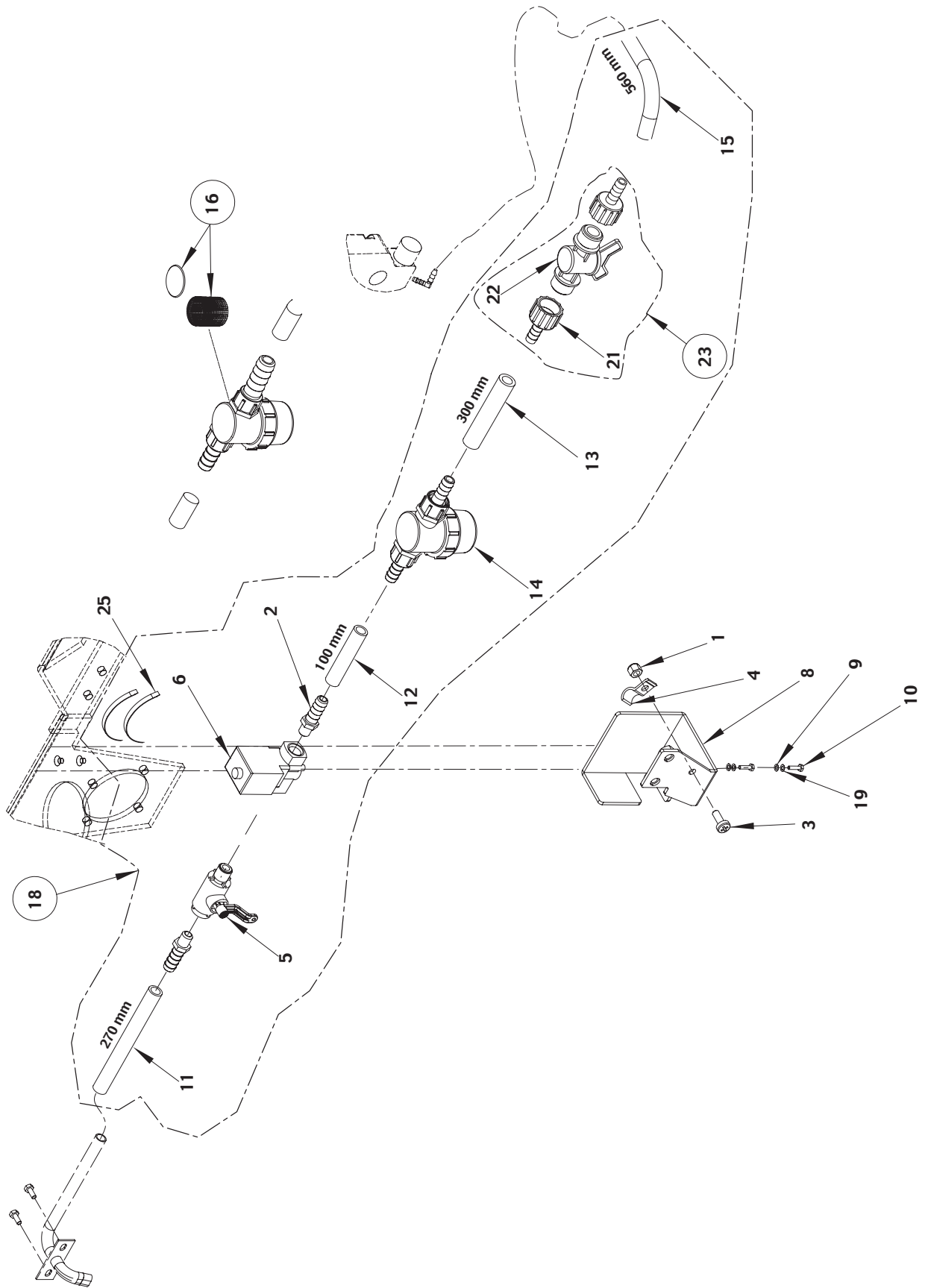
2005-02	HANDLE ASSEMBLY		
	MICROMAX™ 20DD/ 20DC		13

Item no.	Ref. No.	Qty	Description
1	909 5162 000	1	Harness, potentiometer
2	909 5118 000	1	Switch housing front
3	909 5705 000	1	Speed controller
4	145 0372 000	1	Key switch
5	909 5119 000	1	Lever right
6	909 5113 000	1	Handle bar drive version
7	909 5521 000	1	Switch housing rear
8	909 5120 000	1	Lever left
9#	L08812097	2	Washer flat 3x9 SS
10	56003366	4	Washer flat 5x10
11	145 9117 000	2	Screw hex hd M3x12
12	145 1238 000	4	Screw hex hd M5x10
13	145 5871 000	4	Screw thd form
14	909 5116 000	1	Potentiometer knob
15	146 0621 000	1	Dowel
16	146 0806 000	1	Key (2 pcs)



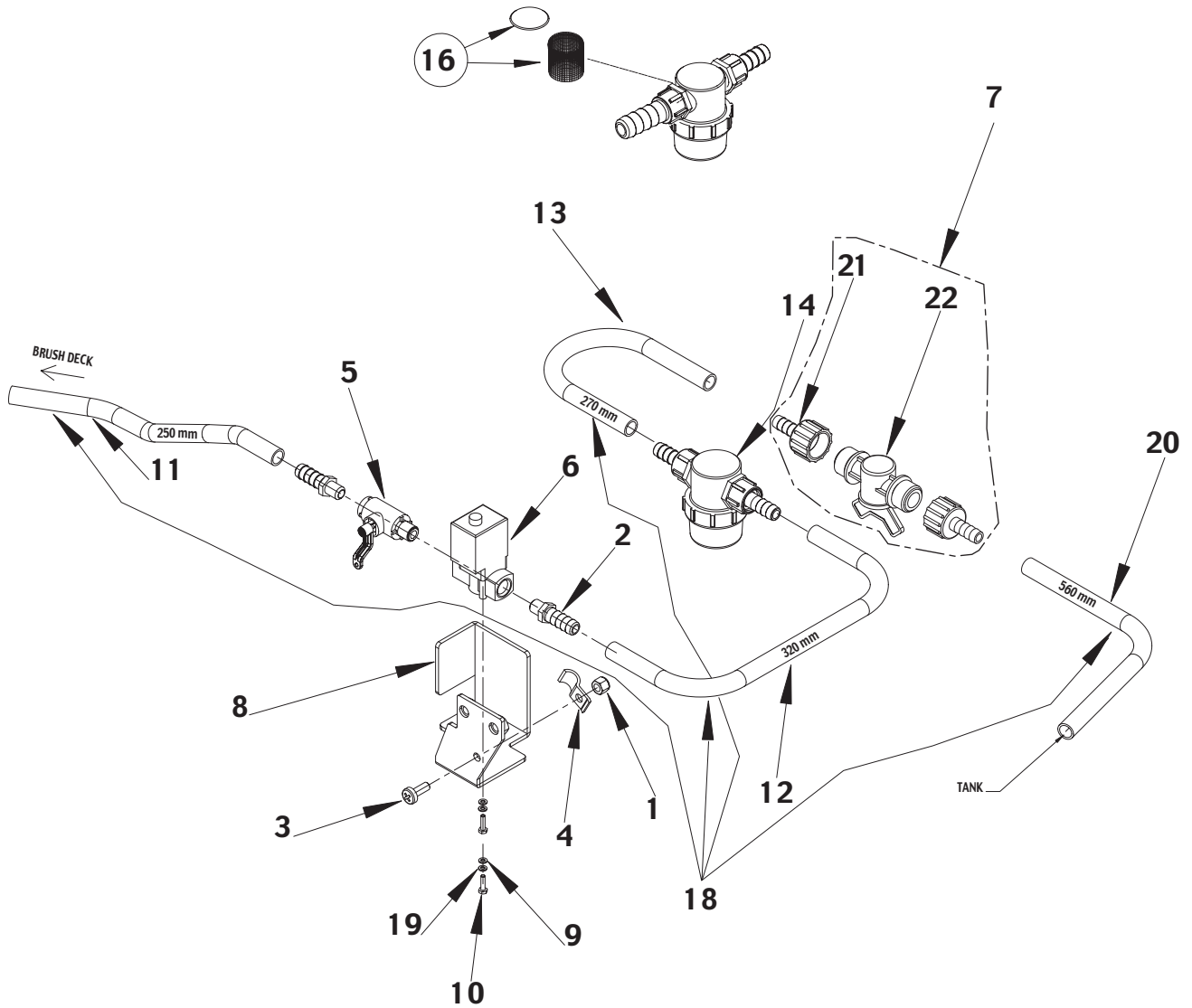
2005-02	SOLUTION SYSTEM			
	MICROMAX™ 17B before s.no.1776924/ 20B before s. no.1777126			15

Item no.	Ref. No.	Qty	Description
1	xxxxxxx	1	Nut hex M6 selflocking (Solution System Hardware Kit)
2	56325648	2	Pipe holder (Solenoid valve kit complete)
3	xxxxxxx	1	Screw M6x16 (Solution System Hardware Kit)
4	xxxxxxx	1	Clamp (Solution System Hardware Kit)
5#	L08812427	1	Ball grip thread (Solenoid valve kit complete) TSB IT 2004-019
6#	L08812960	1	Solenoid valve 24V (Solenoid valve kit complete)
7	56325646	1	Nut (Solenoid valve kit complete)
8#	L08812974	1	Solenoid valve bracket
9	xxxxxxx	2	Washer (Solution System Hardware Kit)
10	xxxxxxx	2	Screw hex hd M3x12 SS (Solution System Hardware Kit)
11#	L08603854	1	Hose 270 mm length (Solenoid valve kit complete)
12	909 5026 000	1	Hose 100 mm length (Solenoid valve kit complete)
13	909 5025 000	1	Hose 300 mm length (Solenoid valve kit complete)
14	909 5151 000	1	Water filter (Solenoid valve kit complete)
15#	L08603855	1	Hose 560 mm length (Solenoid valve kit complete)
16#	L08603893	1	Kit net filter with gasket
17	145 8582 000	2	Clamp (Solenoid valve kit complete)
18	909 5032 000	1	Solenoid valve kit complete (2,5,6,7,11,12,13,14,15,17,21,22,25)
19	xxxxxxx	2	Washer flat (Solution System Hardware Kit)
[20]#	L08603958	1	Solution System Hardware Kit (1,3,4,9,10,19)
21	909 5022 000	2	Holder pipe ø11(Solenoid valve kit complete - Valve w/rubber holder kit)
22	909 5023 000	1	Water valve (Solenoid valve kit complete - Valve w/rubber holder kit)
23	909 5787 000	1	Valve w/rubber holder kit (21,22)
[24]#	L08603885	1	Solenoid valve connector
25	145 0524 000	1	Clamp (Solenoid valve kit complete)



2005-02	SOLUTION SYSTEM		
2004-02	MICROMAX™ 17B from s.no.1776924/ 20B from s. no.1777126		17

Item no.	Ref. No.	Qty	Description
1	xxxxxxx	1	Nut hex M6 selflocking (Solution System Hardware Kit)
2	56325648	2	Pipe holder (Solenoid valve kit complete)
3	xxxxxxx	1	Screw M6x16 (Solution System Hardware Kit)
4	xxxxxxx	1	Clamp (Solution System Hardware Kit)
5	909 5627 000	1	Ball grip thread (Solenoid valve kit complete)
6#	L08812960	1	Solenoid valve 24V (Solenoid valve kit complete)
8#	L08812974	1	Solenoid valve bracket
9	xxxxxxx	2	Washer (Solution System Hardware Kit)
10	xxxxxxx	2	Screw hex hd M3x12 SS (Solution System Hardware Kit)
11#	L08603854	1	Hose 270 mm length (Solenoid valve kit complete)
12	909 5026 000	1	Hose 100 mm length (Solenoid valve kit complete)
13	909 5025 000	1	Hose 300 mm length (Solenoid valve kit complete)
14	909 5151 000	1	Water filter (Solenoid valve kit complete)
15#	L08603855	1	Hose 560 mm length (Solenoid valve kit complete)
16#	L08603893	1	Kit net filter with gasket
18	909 5656 000	1	Solenoid valve kit complete (2,5,6,11,12,13,14,15,21,22,25)
19	xxxxxxx	2	Washer flat (Solution System Hardware Kit)
[20]#	L08603958	1	Solution System Hardware Kit (1,3,4,9,10,19)
21	909 5997 000	2	Holder pipe ø11(Solenoid valve kit complete - Valve w/rubber holder kit)
22	909 5023 000	1	Water valve (Solenoid valve kit complete - Valve w/rubber holder kit)
23	909 5787 000	1	Valve w/rubber holder kit (21,22)
[24]#	L08603885	1	Solenoid valve connector
25	145 0524 000	2	Clamp (Solenoid valve kit complete)



2005-02	SOLUTION SYSTEM		
	MICROMAX™ 20DD/ 20DC		19

Item no.	Ref. No.	Qty	Description
1#	L08361400	1	Nut hex M6 selflocking
2	56325648	2	Rubber holder
3	145 9261 000	1	Screw M6x16
4	56325638	1	Clamp
5	909 5627 000	1	Ball grip thread
6#	L08812960	1	Solenoid valve 24V
7	909 5787 000	1	Valve w/rubber holder kit (21,22)
8#	L08812974	1	Solenoid valve bracket
9#	L08812986	2	Washer split 3 SS
10#	L08603895	2	Screw hex hd M3x12
11	xxx xxxx xxx	1	Hose ø10 250 mm (Hoses solenoid valve kit)
12	xxx xxxx xxx	1	Hose ø10 320 mm (Hoses solenoid valve kit)
13#	L08603854	1	Hose ø10 270 mm (Hoses solenoid valve kit)
14	909 5151 000	1	Water filter
16#	L08603893	1	Kit net filter w/gasket
18	909 5158 000	1	Hoses solenoid valve kit (11,12,13,20)
19#	L08812097	2	Washer flat 3x9 SS
20#	L08603855	1	Hose 560 mm length (Hoses solenoid valve kit)
21	909 5997 000	2	Rubber holder ø11 (Valve w/rubber holder kit)
22	909 5023 000	1	Valve (Valve w/rubber holder kit)
[23]#	L08603885	1	Solenoid valve connector

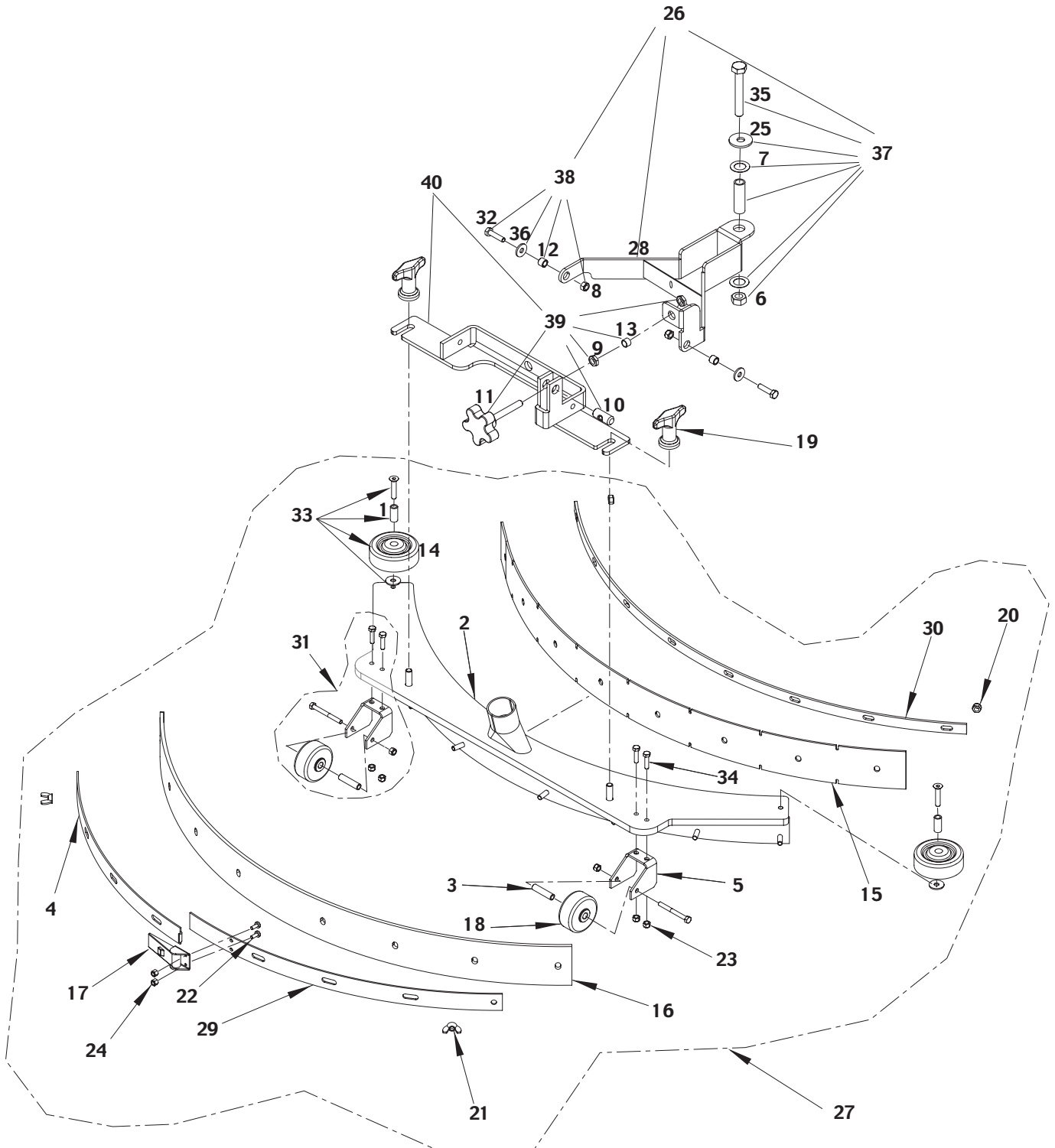
SQUEEGEE ASSEMBLY

2005-02

20

MICROMAX™ 17B/ 20B/ 20DD/ 20DC

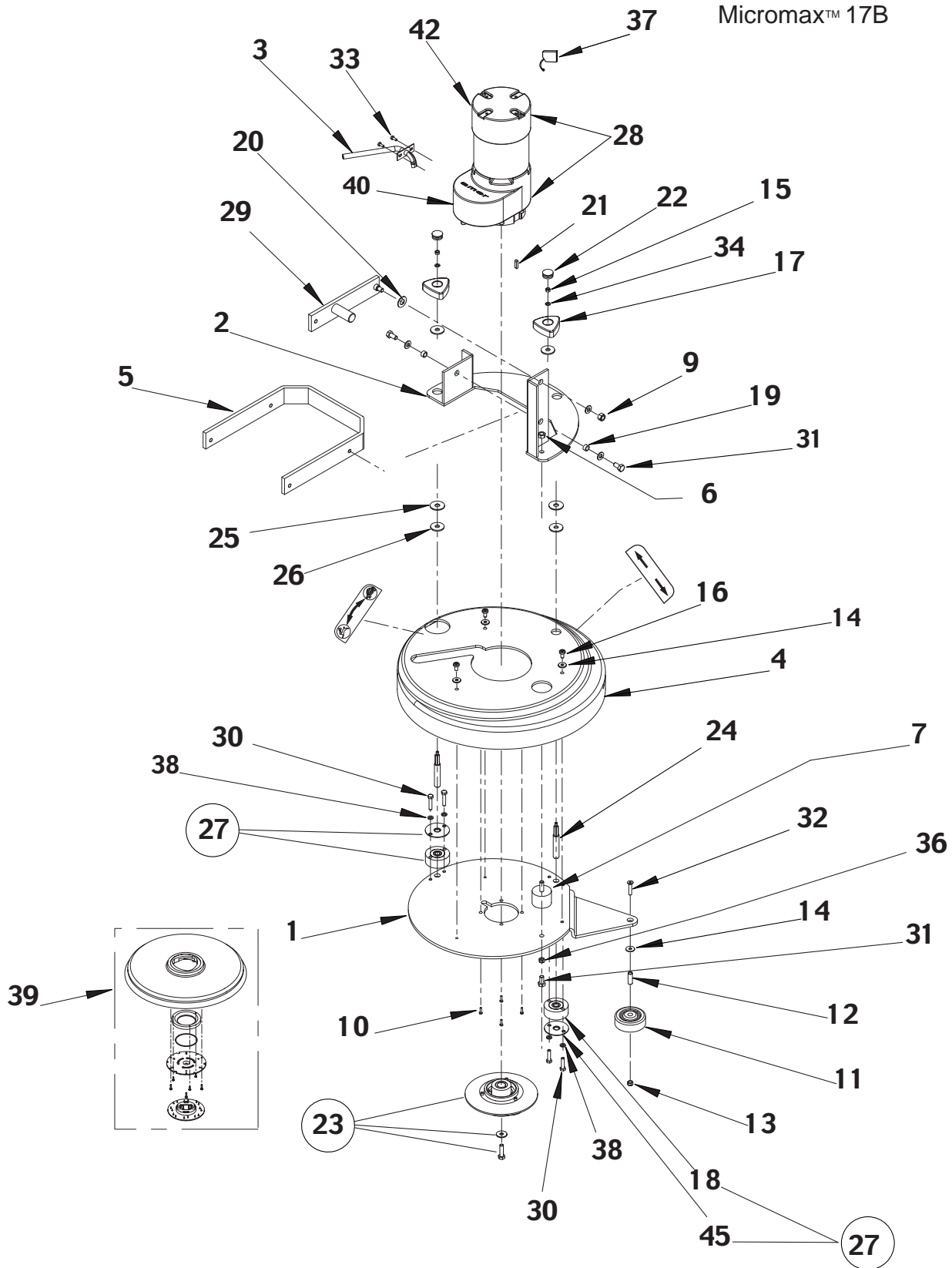
2004-02



2005-02	SQUEEGEE ASSEMBLY			
2004-02	MICROMAX™ 17B/ 20B/ 20DD/ 20DC			21

Item no.	Ref. No.	Qty	Description
1	xxxxxxx	2	Spacer ø 6.3x9.5x21 (Kit squeegee complete)
2	xxxxxxx	1	Squeegee weldment (Kit squeegee complete)
3	xxxxxxx	2	Squeegee wheel spacer (Kit squeegee complete)
4	xxxxxxx	1	Rear f/squeegee latch strap (Kit squeegee complete)
5	xxxxxxx	2	Squeegee wheel bracket (Kit squeegee complete)
6	xxx xxxx xxx	1	Nut (Fixture kit)
7	xxxxxxx	2	Washer flat 15x25 nylon (Fixture kit)
8	xxxxxxx	2	Nut hex self lock low M6 (Fixture nozzle holder left/right kit)
9	xxxxxxx	2	Nut hex low M8 (Adjustment screw kit)
10	xxxxxxx	1	Support pin (Adjustment screw kit)
11	xxxxxxx	1	Handwheel M8x55 (Adjustment screw kit)
12	xxxxxxx	2	Spacer 7x10x8 (Fixture nozzle holder left/right kit)
13	xxxxxxx	1	Spacer 8x10x7 (Adjustment screw kit)
14	xxxxxxx	2	Roller bumper (Kit squeegee complete)
15	56393285	1	Squeegee blade front (Kit squeegee complete)
16	56325685	1	Squeegee blade rear (Kit squeegee complete)
17	xxxxxxx	1	Squeegee latch (Kit squeegee complete)
18	xxxxxxx	2	Squeegee wheel ø51 (Kit squeegee complete)
19#	L08603675	2	Squeegee fixing thumb nut
20	xxxxxxx	6	Nut hex selflock M6 SS (Kit squeegee complete)
21	xxx xxxx xxx	2	Wing nut M6 (Kit squeegee complete)
22	xxxxxxx	2	Screw M4x10 SS (Kit squeegee complete)
23	xxxxxxx	6	Nut hex self lock M5 SS (Kit squeegee complete)
24	xxxxxxx	2	Nut hex self lock M4 SS (Kit squeegee complete)
25	xxxxxxx	1	Washer flat 10x30 (Fixture kit)
26#	L08603877	1	Nozzle holder kit (28,37,38)
27#	L08603878	1	Kit squeegee complete (1, 2, 3, 4, 5, 14, 15, 16, 17, 18, 20, 21, 22, 23, 24, 29, 30, 31, 33, 34)
28	xxxxxxx	1	Squeegee holder bracket (Nozzle holder kit)
29	xxxxxxx	1	Rear w/hook strap (Kit squeegee complete)
30	xxxxxxx	1	Blade fixer strap (Kit squeegee complete)
31#	L08603879	1	Kit squeegee wheel (Kit squeegee complete)
32	xxxxxxx	2	Screw hex hd M6x25 (Fixture nozzle holder left/right kit)
33#	L08603880	1	Kit squeegee bumper roller (Kit squeegee complete)
34	xxxxxxx	4	Screw hex hd M5x20 SS (Kit squeegee complete)
35	xxx xxxx xxx	1	Screw hex hd M10x70 (Fixture kit)
36	xxxxxxx	2	Washer flat 6x18 (Fixture nozzle holder left/right kit)
37	56325681	1	Fixture kit (6,7,25,26,35)
38	56325682	1	Fixture nozzle holder left/right kit (8,12,32,36)
39	56325684	1	Adjustment screw kit (9,10,11,13)
40#	L08603876	1	Nozzle holder kit (39)
[41]#	L08603959	1	Squeegee assembly Hardware kit (6,7,8,9,21,22,23,24,25,32,34,35,36)
[42]#	L08603923	1	Bumper roller option kit

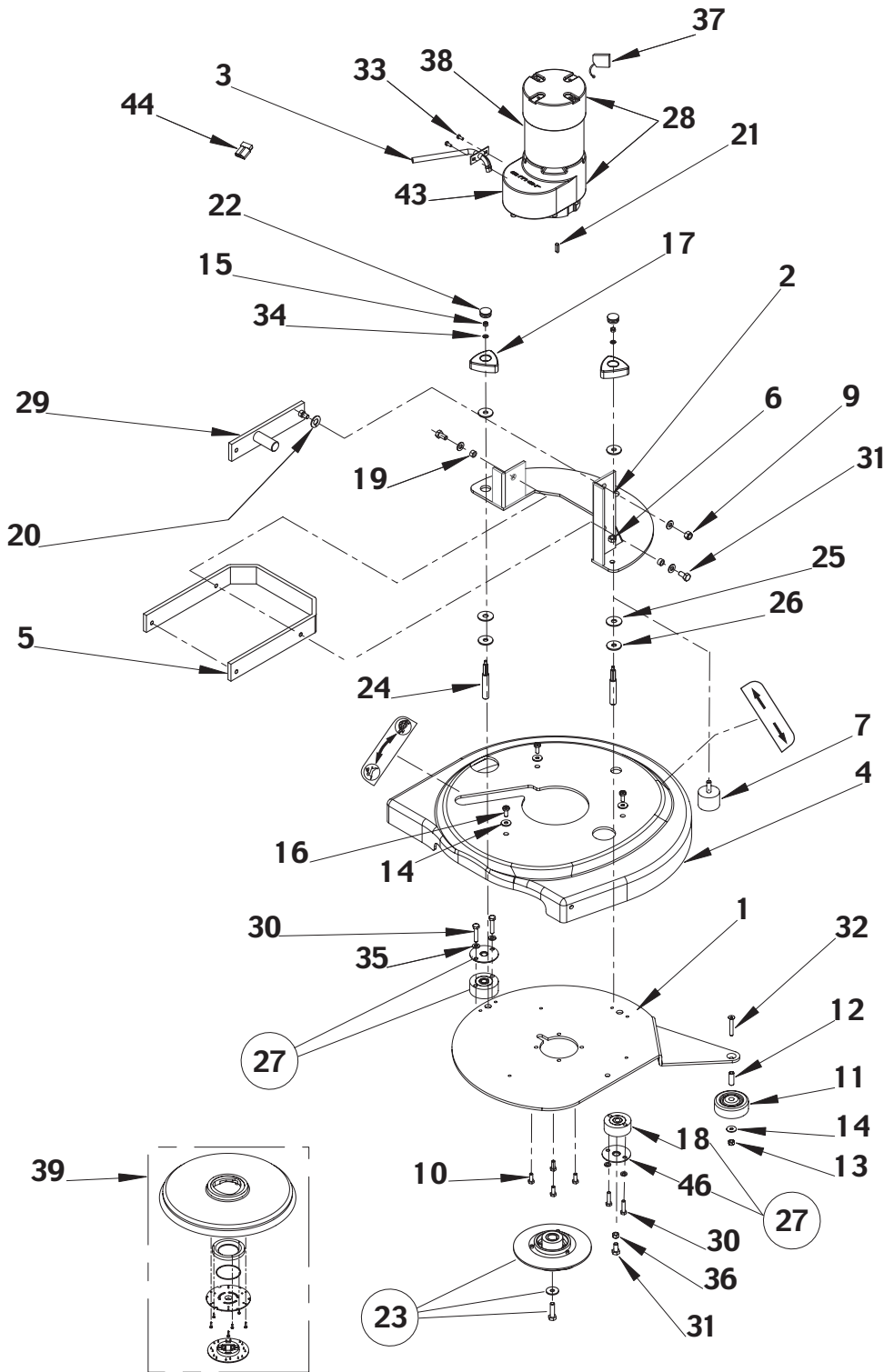
Micromax™ 17B



2005-02	DISC SCRUB DECK SYSTEM		
2004-02	MICROMAX™ 17B		23

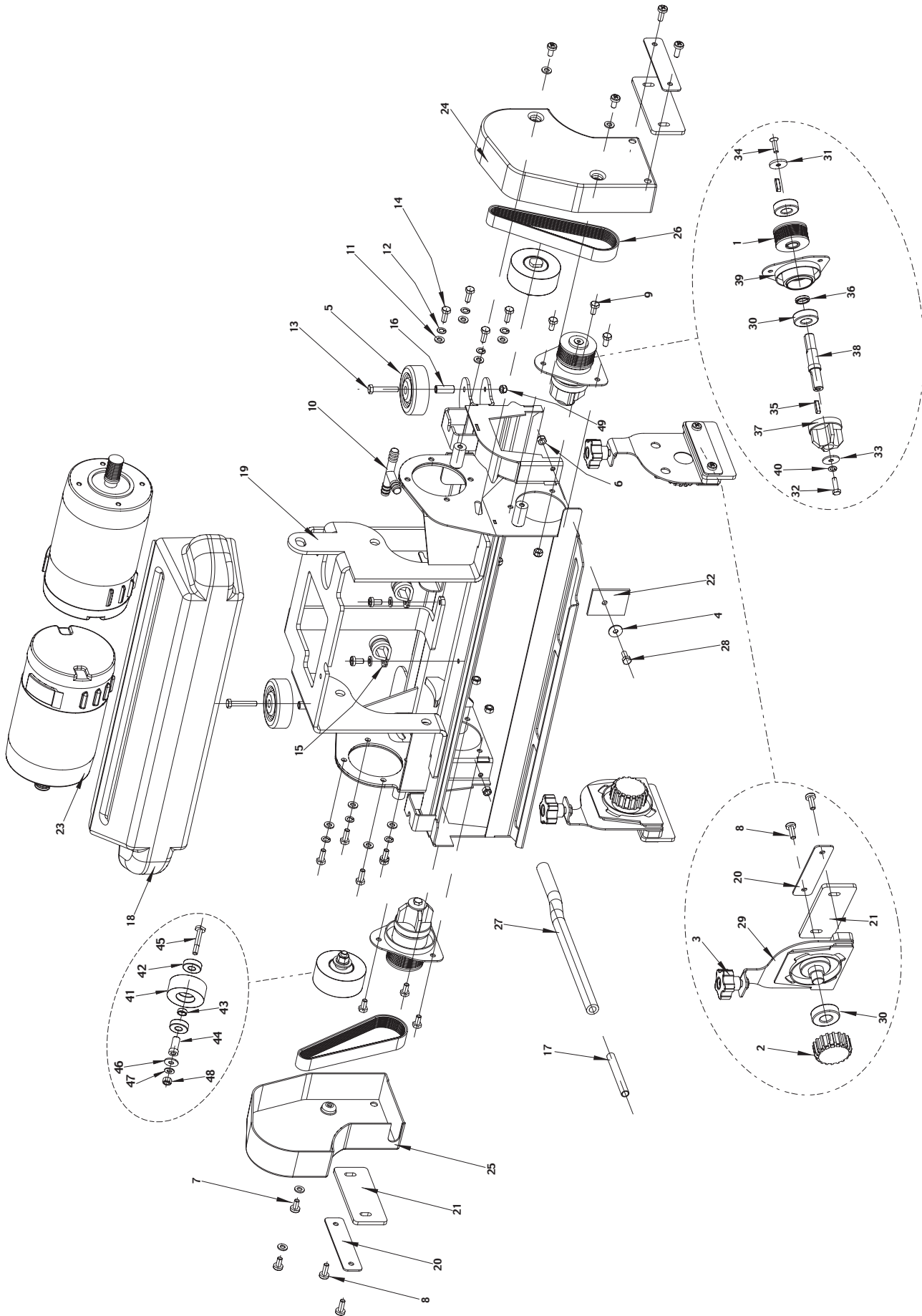
Item no.	Ref. No.	Qty	Description
1#	L08812889	1	Plate, brush holder
2#	L08812892	1	Plate
3#	L08812921	1	Hose copper
4	909 5711 000	1	Brush cover Micromax™ 17B
5#	L08812924	1	Frame brush lifting
6	xxxxxxx	1	Nut hex M8 (Disc scrub deck System Hardware Kit)
7	xxxxxxx	1	Vibration damping M8 (Disc scrub deck System Hardware Kit)
9	xxxxxxx	1	Nut selflocking M8 (Disc scrub deck System Hardware Kit)
10	xxx xxxx xxx	4	Screw hex hd M6x16 SS (Disc scrub deck System Hardware Kit)
11	56363855	1	Bumper roller
12#	L08602461	1	Bushing
13	xxxxxxx	1	Nut hex selflocking M6 (Disc scrub deck System Hardware Kit)
14	xxxxxxx	4	Washer flat 6x18 (Disc scrub deck System Hardware Kit)
15	xxxxxxx	2	Nut hex selflocking M5 (Disc scrub deck System Hardware Kit)
16	xxxxxxx	3	Screw 6x16 (Disc scrub deck System Hardware Kit)
17	56325616	2	Knob
18	56325622	2	Buffer (Brush plate fixing kit)
19	56325598	2	Bushing
20	xxxxxxx	1	Washer (Disc scrub deck System Hardware Kit)
21	145 9774 000	1	Key 5x5x20
22	56325614	2	Cap for knob
23#	L08812589	1	Polygonal holder kit
24#	L08812706	2	Brush plate fixing pin
25#	L08812718	2	Washer rubber 10x30x2
26	xxxxxxx	4	Washer flat 9x28 (Disc scrub deck System Hardware Kit)
27#	L08812780	2	Brush plate fixing kit (18,45)
28	909 5507 000	1	Reduction gearmotor
29	909 5608 000	1	Brush lifting lever
30	xxxxxxx	4	Screw hex hd M6x30 (Disc scrub deck System Hardware Kit)
31	xxxxxxx	3	Screw hex hd M8x16 (Disc scrub deck System Hardware Kit)
32	xxxxxxx	1	Screw M6x40 (Disc scrub deck System Hardware Kit)
33	xxxxxxx	2	Screw hex hd M4x8 (Disc scrub deck System Hardware Kit)
34	xxxxxxx	2	Washer flat 5x10 (Disc scrub deck System Hardware Kit)
36	xxxxxxx	3	Washer flat 8x17 (Disc scrub deck System Hardware Kit)
37	909 5720 000	1	Carbon brush set (4 pcs)
38	xxx xxxx xxx	4	Washer split 6 (Disc scrub deck System Hardware Kit)
39#	L08837017	1	Pad holder kit
40#	L08603849	1	Reduction gear
[41]#	L08603960	1	Disc scrub deck System Hardware Kit (6,7,9,10,13,14,15,16,20,26,30,31,32,33,34,36,38,45)
42	909 5508 000	1	Electric motor 520W
[43]	909 5172 000	1	Splash guard
[44]	909 5170 000	5	Rivet ø8
45#	L08812779	2	Plate

Micromax™ 20B - 20DD

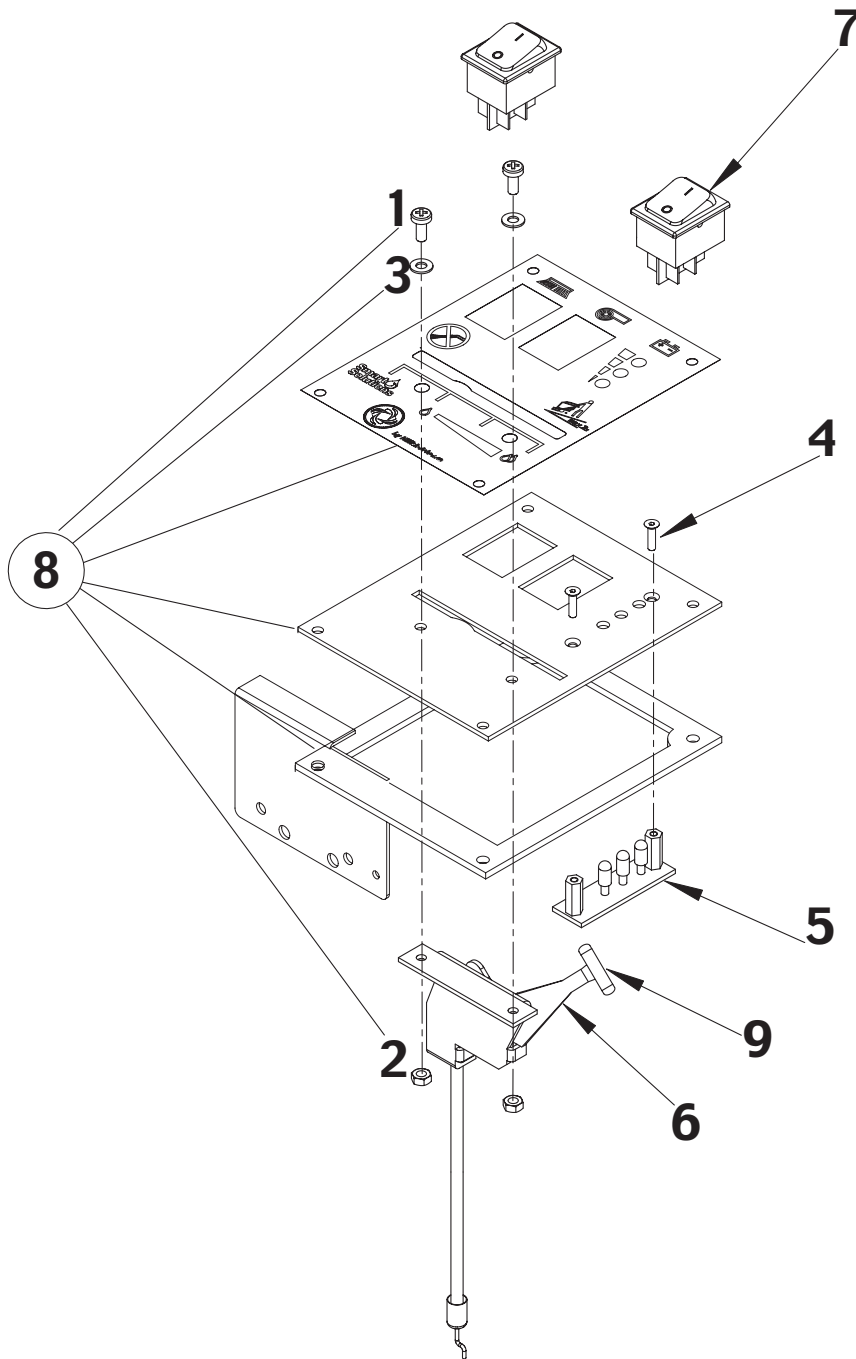


2005-02	DISC SCRUB DECK SYSTEM			
2004-02	MICROMAX™ 20B/ 20DD			25

Item no.	Ref. No.	Qty	Description
1	909 5135 000	1	Brush holder plate
2	909 5136 000	1	Brush support plate
3#	L08812921	1	Hose copper
4	909 5712 000	1	Brush guard
5#	L08812924	1	Brush lifting frame
6	xxxxxxx	1	Nut hex M8 (Disc scrub deck System Hardware Kit)
7	xxxxxxx	1	Vibration damping M8 (Disc scrub deck System Hardware Kit)
9	xxxxxxx	1	Nut hex selflocking M8 (Disc scrub deck System Hardware Kit)
10	xxx xxxx xxx	4	Screw hex hd M6x16 SS (Disc scrub deck System Hardware Kit)
11	56363855	2	Bumper roller
12#	L08602461	2	Bushing
13	xxxxxxx	1	Nut hex selflocking M6 (Disc scrub deck System Hardware Kit)
14	xxxxxxx	4	Washer flat 6x18 (Disc scrub deck System Hardware Kit)
15	xxxxxxx	2	Nut hex selflocking M5 (Disc scrub deck System Hardware Kit)
16	xxxxxxx	3	Screw M6x16 (Disc scrub deck System Hardware Kit)
17	56325616	2	Knob
18	56325622	1	Buffer (Brush plate fixing kit)
19	56325598	2	Bushing
20	xxxxxxx	1	Washer ø12x24x1.5(Disc scrub deck System Hardware Kit)
21	145 9774 000	1	Key 5x5x20
22	56325614	2	Cap for knob
23#	L08812589	1	Polygonal holder kit
24#	L08812706	2	Brush plate fixing pin
25#	L08812718	2	Washer rubber 10x30x2
26	xxxxxxx	4	Washer flat 9x28 (Disc scrub deck System Hardware Kit)
27#	L08812780	2	Brush plate fixing kit (18,46)
28	909 5507 000	1	Reduction gearmotor
29	909 5608 000	1	Brush lifting lever
30#	xxxxxxx	4	Screw hex hd M6x30 (Disc scrub deck System Hardware Kit)
31	xxxxxxx	3	Screw hex hd M8x16 (Disc scrub deck System Hardware Kit)
32	xxxxxxx	2	Screw M6x40 (Disc scrub deck System Hardware Kit)
33	xxxxxxx	2	Screw hex hd M4x8 (Disc scrub deck System Hardware Kit)
34	xxxxxxx	2	Washer flat 5x10 (Disc scrub deck System Hardware Kit)
35#	xxxxxxx	4	Washer split 6 (Disc scrub deck System Hardware Kit)
36	xxxxxxx	6	Washer flat 8x17 (Disc scrub deck System Hardware Kit)
37	909 5720 000	1	Carbon brush set (4 pcs)
38	909 5508 000	1	Electric motor 520W
39#	L08837018	1	Pad holder kit
[40]	909 5492 000	1	Splash guard
[41]	909 5170 000	5	Rivet
[42]	08603960	1	Disc scrub deck System Hardware Kit (6,7,9,10,13,14,15,16,20,26,30,31,32,33,34,35,36,46)
43#	L08603849	1	Reduction gear
44	56324305	1	Connector for Micromax™ 20DD
[45]	909 6009 000	1	Disc scrub deck kit
46#	L08812779	2	Plate

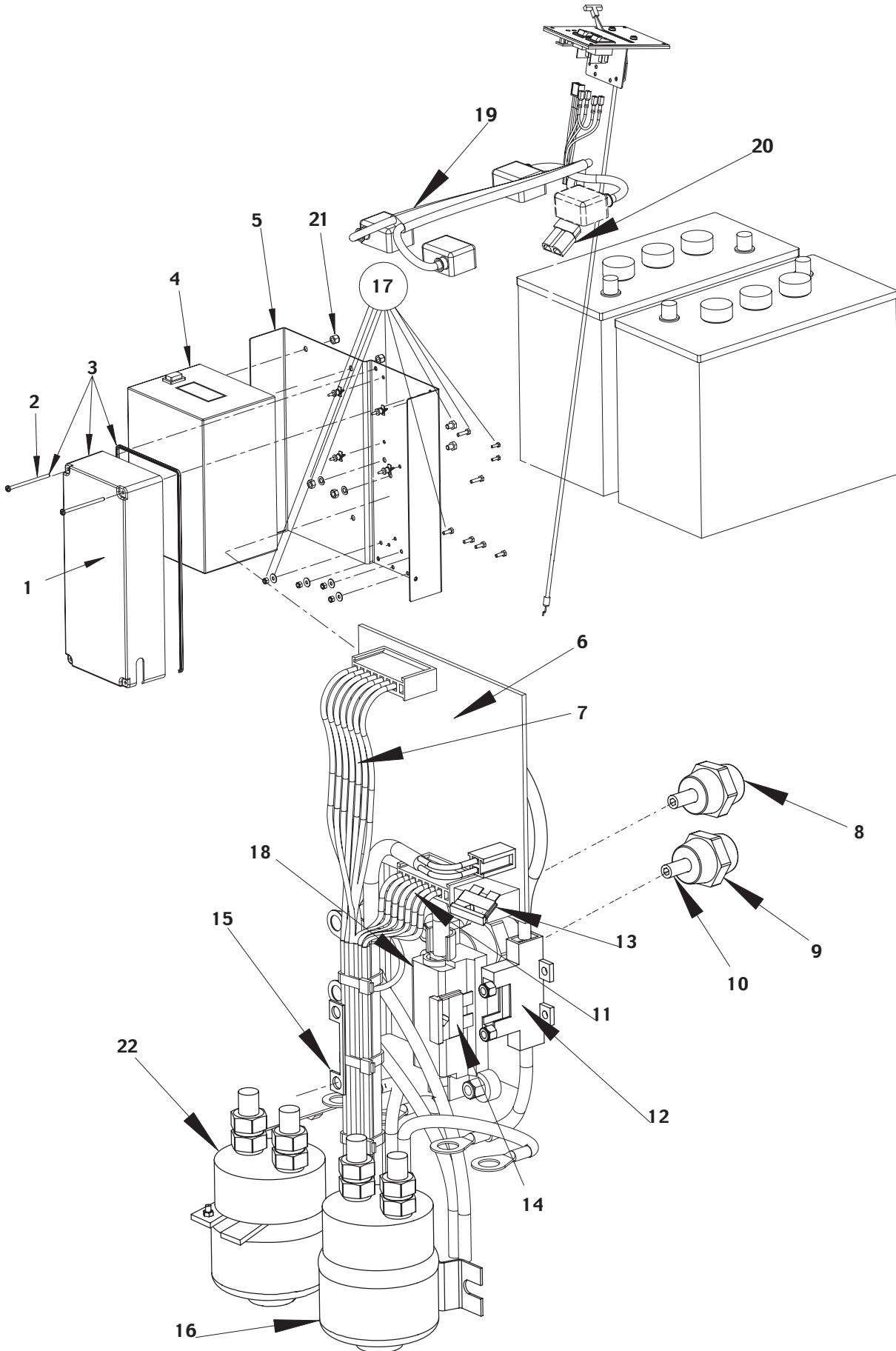


Item no.	Ref. No.	Qty	Description
1	909 5819 000	2	Pulley
2	56407551	2	Brush support
3	146 1851 000	2	Thumbnut M8
4	56325538	2	Washer flat
5	56363855	2	Bumper roller
6#	L08603682	8	Nut hex low self locking M6 SS
7#	L08603706	6	Screw cyl hd M6x12
8#	L08812095	8	Screw cyl hd M6x16
9	145 0498 000	6	Screw hex hd M6x12 SS
10	145 4366 000	1	Pipe holder T ø 12
11	145 9128 000	14	Washer flat 6x12.5
12	145 9228 000	8	Washer split 6
13	145 4472 000	2	Screw hex hd M6x40
14	145 9261 000	8	Screw hex hd M6x16
15	909 5516 000	2	Clamp
16	909 5710 000	2	Spacer
17	909 5772 000	1	Copper hose
18	909 5805 000	1	Dirt container
19	909 5806 000	1	Frame cylindrical scrub deck
20	909 5809 000	4	Plate splashguard fixing
21	909 5810 000	4	Splashguard cylindrical scrub deck
22	909 5811 000	2	Splashguard cylindrical scrub deck
23	909 5812 000	2	Electric motor 400W 24V
24	909 5817 000	1	Crankcase belt protection right
25	909 5818 000	1	Crankcase belt protection left
26	909 5820 000	2	Belt
27	909 5870 000	1	Hose L=190 mm
28	146 2667 000	2	Screw hex hd M6x14 SS
29	909 5808 000	2	Brush support
30	145 2361 000	6	Ball bearing
31	145 5828 000	2	Spacer
32	145 0253 000	2	Screw hex hd M6x20 SS
33	145 0493 000	2	Washer flat 6x24 SS
34	145 9309 000	2	Screw M6x20
35	145 9774 000	4	Key 5x5x20
36	146 1232 000	2	Spacer
37	909 5728 000	2	Brush hub
38	909 5755 000	2	Pin brush pulley
39	909 5807 000	2	Brush pulley support
40	909 5753 000	2	Washer split 6 SS
41	909 5762 000	2	Belt tensioner roller
42	909 5763 000	4	Ball bearing
43	909 5764 000	2	Spacer
44	909 5765 000	2	Pin with collar
45	909 5766 000	2	Pin thbd form
46	145 9213 000	2	Washer flat 8x24
47	145 9120 000	2	Washer flat 8x17
48	56003389	2	Nut hex low self locking M8
49#	L08361400	2	Nut hex low self locking M6
[50]	909 5886 000	1	Harness cylindrical scrub deck
[51]	909 6010 000	1	Cylindrical scrub deck kit



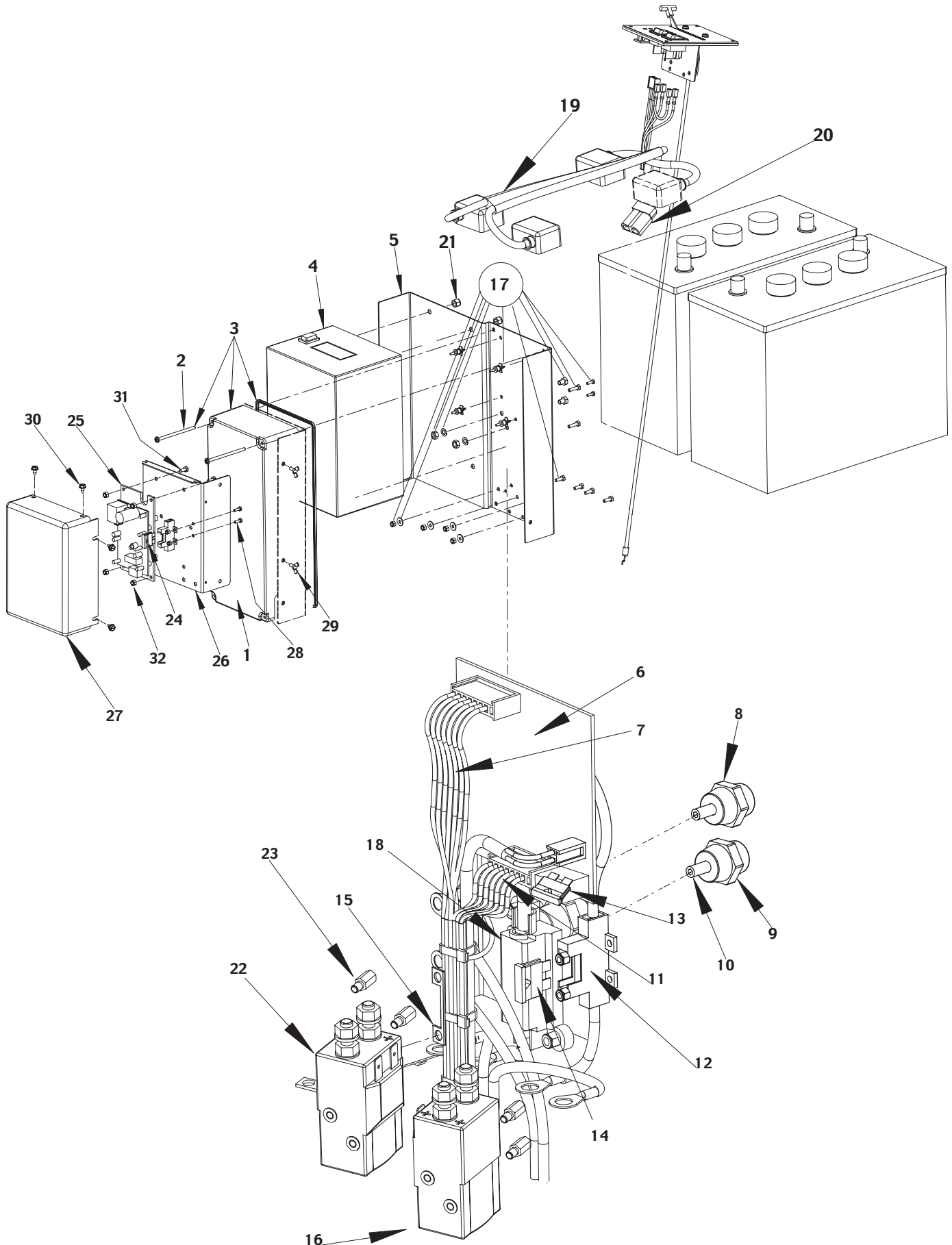
2005-02	CONTROL PANEL SYSTEM		
2004-02	MICROMAX™ 17B/ 20B/ 20DD/ 20DC		29

Item no.	Ref. No.	Qty	Description
1	xxxxxxx	2	Screw M4x10 (Control Panel System Hardware Kit)
2	xxxxxxx	2	Nut hex M4 (Control Panel System Hardware Kit)
3	xxxxxxx	2	Washer flat (Control Panel System Hardware Kit)
4	xxx xxxx xxx	2	Screw 3x6 (Control Panel System Hardware Kit)
5#	L08812909	1	Led board
6#	L08812938	1	Lever
7	909 5584 000	2	Switch
8	909 5879 000	1	Kit control panel w/decal with Smart Solutions
9#	L08603790	1	Handle for lever
[10]#	L08603961	1	Control Panel System Hardware Kit (1,2,3,4)



2005-02	WIRING SYSTEM		
2004-02	MICROMAX™ 17B/ MICROMAX™ 20B		31

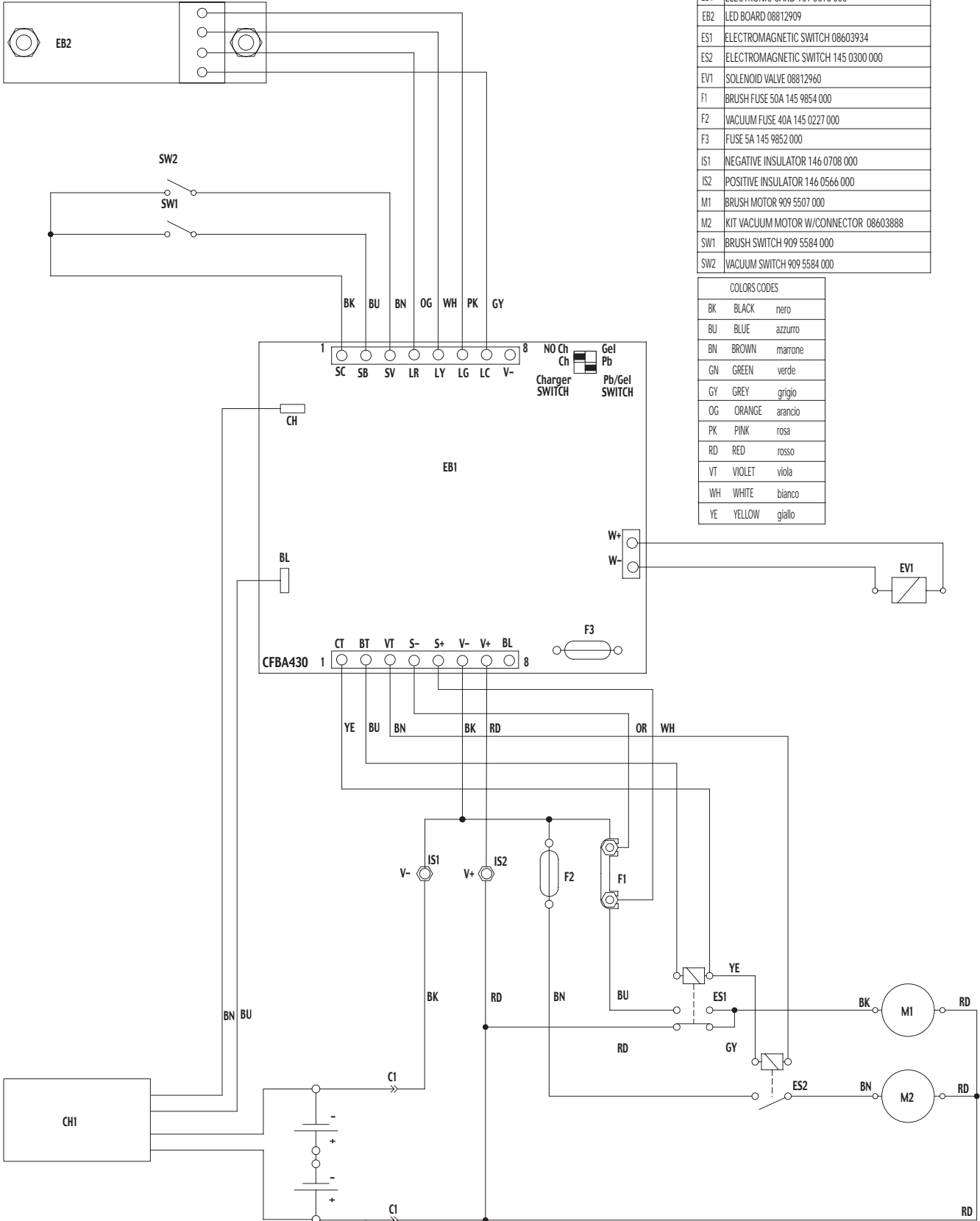
Item no.	Ref. No.	Qty	Description
1#	L08812284	1	Cover
2	56325723	2	Screw
3	56325740	1	Kit electronic card covering
4#	L08812996	1	Battery charger 24V
5#	L08812890	1	Support
6	909 5098 000	1	Electronic card for machine with /without drive
7#	L08812961	1	Machine harness
8	146 0708 000	1	Negative Insulator white
9	146 0566 000	1	Positive Insulator red
10	146 0759 000	2	Dowel
11#	L08812962	1	Electronic card harness
12	146 0660 000	1	Fuse holder
13	145 9852 000	1	Fuse 5A
14	145 0227 000	1	Vacuum Fuse 40A
15	145 9854 000	1	Brush Fuse 50A
16	145 0300 000	1	Electromagnetic switch 24V 120A
17#	L08603867	1	Kit electronic card fixing
18	145 8046 000	1	Fuse holder
19#	L08603890	1	Battery harness
20	56324305	1	Battery connector
21	145 9132 000	4	Nut selflocking
22#	L08603934	1	Electromagnetic switch 24V 80A
[23]	56325755	1	Restraint h 40 mm
[24]#	L08812758	1	Battery container
			Spare parts for Battery charger 08812996
[25]	909 5731 000	1	Fuse holder
[26]	909 5729 000	1	Fuse 8A
[27]	909 5732 000	1	Fuse 15A
[28]	146 0794 000	1	Fuse 1,6 A
[29]	909 5733 000	1	Cooling fan
[30]	909 5734 000	1	Transformer 115V 24V
[31]	909 5736 000	1	Display card
[32]	909 5737 000	1	Power card
[33]	909 5738 000	1	Cable net
[34]	146 0801 000	1	Switch wet/gel



2005-02	WIRING SYSTEM			
2004-02	MICROMAX™ 20DD/ 20DC			33

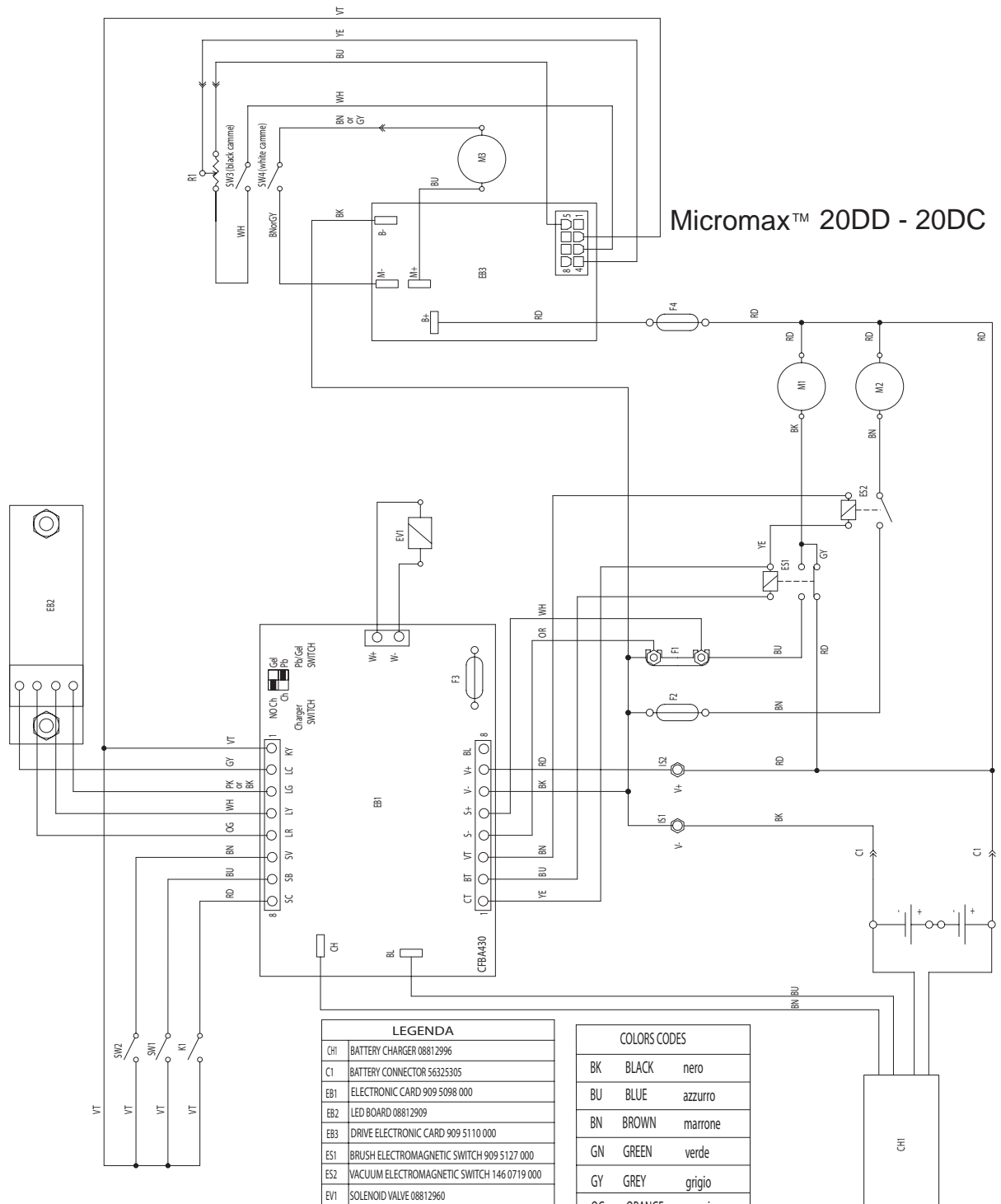
Item no.	Ref. No.	Qty	Description
1#	L08812284	1	Cover
2	56325723	2	Screw
3	56325740	1	Kit card covering w/screw
4#	L08812996	1	Battery charger 24 V 13A 115V
5#	L08812890	1	Support
6	909 5098 000	1	Electronic card
7	909 5885 000	1	Machine harness
8	146 0708 000	1	Negative insulator
9	146 0566 000	1	Positive insulator
10	146 0759 000	2	Dowel
11	909 5161 000	1	Electronic card harness
12	146 0660 000	2	Fuse holder
13	145 9852 000	1	Fuse 5A
14	145 0227 000	1	Vacuum fuse 40A
15	145 9854 000	1	Brush fuse 50A
16	146 0719 000	1	Vacuum electromagnetic switch
17#	L08603867	1	Kit electronic card fixing
18	145 8046 000	1	Fuse holder
19#	L08603890	1	Battery harness
20	56324305	1	Battery connector
21	145 9132 000	4	Nut selflocking M6
22	909 5127 000	1	Brush electromagnetic switch
23	146 0627 000	4	Spacer
24	145 8513 000	1	Drive fuse 30A
25	909 5110 000	1	Drive electronic card
26	909 5867 000	1	Electronic card support
27	909 5433 000	1	Cover
28#	L08812964	4	Screw hex hd M3x10
29	909 5125 000	2	Screw wing M4x10
30	909 5342 000	4	Screw 3,9x9,5 thd form
31	145 1773 000	4	Screw hex hd M4x10
32	145 5743 000	4	Nut hex selflock.low M4
[33]	56325755	1	Restraint h 40 mm
[34]#	L08812758	1	Battery container
			Spare parts for Battery charger 08812996
[35]	909 5731 000	1	Fuse holder
[36]	909 5729 000	1	Fuse 8A
[37]	909 5732 000	1	Fuse 15A
[38]	146 0794 000	1	Fuse 1,6 A
[39]	909 5733 000	1	Cooling fan
[40]	909 5734 000	1	Transformer 115V 24V
[41]	909 5736 000	1	Display card
[42]	909 5737 000	1	Power card
[43]	909 5738 000	1	Cable net
[44]	146 0801 000	1	Switch wet/gel

Micromax™ 17B - 20B



LEGENDA	
CH1	BATTERY CHARGER 08812996
C1	BATTERY CONNECTOR 56324305
EB1	ELECTRONIC CARD 909 5098 000
EB2	LED BOARD 08812909
ES1	ELECTROMAGNETIC SWITCH 08603934
ES2	ELECTROMAGNETIC SWITCH 145 0300 000
EV1	SOLENOID VALVE 08812960
F1	BRUSH FUSE 50A 145 9854 000
F2	VACUUM FUSE 40A 145 0227 000
F3	FUSE 5A 145 9852 000
IS1	NEGATIVE INSULATOR 146 0708 000
IS2	POSITIVE INSULATOR 146 0566 000
M1	BRUSH MOTOR 909 5507 000
M2	KIT VACUUM MOTOR W/CONNECTOR 08603888
SW1	BRUSH SWITCH 909 5584 000
SW2	VACUUM SWITCH 909 5584 000

COLORS CODES		
BK	BLACK	nero
BU	BLUE	azzurro
BN	BROWN	marrone
GN	GREEN	verde
GY	GREY	grigio
OG	ORANGE	arancio
PK	PINK	rosa
RD	RED	rosso
VT	VIOLET	viola
WH	WHITE	bianco
YE	YELLOW	giallo



LEGENDA	
CH	BATTERY CHARGER 08812996
C1	BATTERY CONNECTOR 56325305
EB1	ELECTRONIC CARD 909 5098 000
EB2	LED BOARD 08812909
EB3	DRIVE ELECTRONIC CARD 909 5110 000
E1	BRUSH ELECTROMAGNETIC SWITCH 909 5127 000
E2	VACUUM ELECTROMAGNETIC SWITCH 146 0719 000
E1	SOLENOID VALVE 08812960
F1	BRUSH FUSE (50A) 145 9854 000
F2	VACUUM FUSE (40A) 145 0227 000
F3	FUSE (5A) 145 9852 000
F4	DRIVE FUSE (30A) 145 8513 000
IS1	NEGATIVE INSULATOR 146 0708 000
IS2	POSITIVE INSULATOR 146 0566 000
K1	KEY SWITCH 145 0372 000
M1	BRUSH MOTOR: 909 5507 000/ 909 5812 000
M2	KIT VACUUM MOTOR W/CONNECTOR 08603888
M3	DRIVE MOTOR 909 5271 000
R1	SPEED CONTROLLER 909 5705 000
SW1	BRUSH SWITCH 909 5584 000
SW2	VACUUM SWITCH 909 5584 000
SW3	DRIVE CONTROL MICROSCHWICH included in 909 5705 000
SW4	DRIVE MOTOR MICROSCHWICH included in 909 5705 000

COLORS CODES		
BK	BLACK	nero
BU	BLUE	azzurro
BN	BROWN	marrone
GN	GREEN	verde
GY	GREY	grigio
OG	ORANGE	arancio
PK	PINK	rosa
RD	RED	rosso
VT	VIOLET	viola
WH	WHITE	bianco
YE	YELLOW	giallo

ACCESSORIES

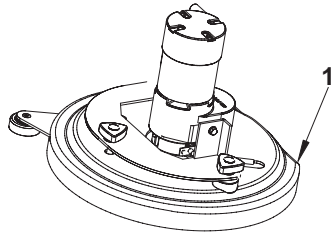
2006-12

36

MICROMAX™ 17B/ 20B/ 20DD/ 20DC

2004-02

Item	Ref. No.	Qty	Description
1	909 6009 000	1	Disc Scrub Deck kit

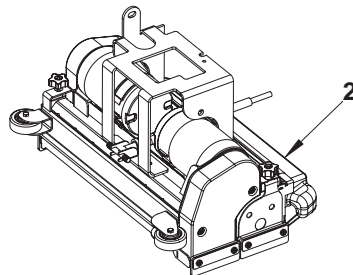
**Ref. No. 17B BRUSHES**

L08837020 - Prolene
 L08837021 - Prolite
 L08837022 - Union Mix
 L08837023 - Midlite
 L08837024 - Midgrit
 L08837017 - Pad holder kit

Ref. No. 20B/20DD BRUSHES

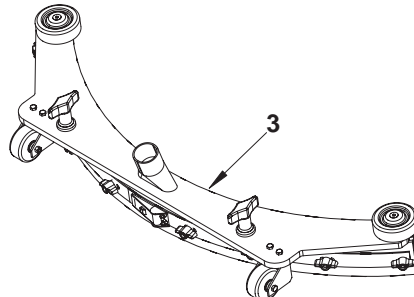
08837025 - Prolene
 08837026 - Prolite
 56325508 - Union Mix
 56325506 - Midlite
 56325507 - Midgrit
 08837018 - Pad holder kit

Item	Ref. No.	Qty	Description
2	909 6010 000	1	Cylindrical Brush Deck kit

**Ref. No. 20DC BRUSHES**

909 5823 000 - PPL 0.40
 909 5824 000 - Nylon 0.45
 909 5825 000 - Abrasive 0.60

Item	Ref. No.	Qty	Description
3	L08603878	1	Squeegee kit

**Ref. No. 17B/20B/20DD/DC Squeegee Blades**

56393285 - Front blade standard
 56325685 - Rear blade standard
 56393396 - Oil resistant blade kit
 L08812404 - Wear pack: std squeegee blades, solution filter
 L08812405 - Wear pack: oil resistant squeegee blades, solution filter

909 5427 000(3)2006-12

2005-02	RECOMMENDED SPARE PARTS		
2004-02	MICROMAX™ 17B/ 20B/ 20DD/ 20DC		37

Item no.	Ref. No.	Qty	Description
			Solution System
	909 5032 000	1	Solenoid valve kit complete before serial no.17B:1776924; 20B:1777126
	909 5656 000		Solenoid valve kit complete from serial no. 17B:1776924; 20B:1777126
	909 5151 000	1	Water filter
	56325648	2	Pipe holder
	L08812960	1	Solenoid valve 24V
	L08603958	1	Solution System Hardware Kit
			Tank System
	146 0741 000	1	Gasket, tank cover
	L08812869	1	Drain hose
	L08812873	1	Solution drain hose complete
	L08603888	1	Kit vacuum motor w/ connector
	L08603970	1	Squeegee lift lever kit
	909 5420 000	1	Solution hose
	909 5583 000	1	Suction hose
	L08603860	1	Handle ajuster kit
	L08603956	1	Tank System Hardware Kit
			Disc/ Cylindrical scrub deck Systems
	909 5507 000	1	Reduction gear motor Micromax™ 17B - 20B - 20DD
	56324305	1	Connector Micromax™ 20DD
	909 5812 000	1	Electric motor Micromax™ 20DC
	56325622	1	Buffer for brush plate
	56325616	1	Knob for brush plate
	L08812706	1	Brush plate fixing pin
	L08603960	1	Disc Scrub deck Hardware Kit
			Chassis System
	L08603861	1	Kit castor wheel rear
	145 8478 000	1	Pedal cover
	L08603862	1	Kit tank support right
	L08603863	1	Kit tank support left
	L08603957	1	Chassis System Hardware Kit
	909 5157 000	1	Carbon brush Micromax™ 20DD/20DC f reductiongear motor 909 5271 000
			Handle Assembly
	146 0806 000	1	Key set (2 pcs)
			Squeegee Assembly
	L08603878	1	Kit squeegee complete
	56325685	1	Squeegee blade rear
	56393285	1	Squeegee balde front
	56325684	1	Adjustment screw kit
	L08603879	1	Kit squeegee wheel
			Control Panel System
	909 5584 000	1	Switch
	L08603961	1	Control Panel System Hardware Kit
			Wiring system
	909 5098 000	1	Electronic card
	909 5110 000	1	Drive electronic card
	L08812996	1	Battery charger 24V
	145 0300 000	1	Electromagnetic switch 24V 120A Micromax™ 17B/20B
	L08603934	1	Electromagnetic switch 24V 80A Micromax™ 17B/20B
	146 0719 000	1	Vacuum electromagnetic switch Micromax™ 20DD/20DC
	909 5127 000	1	Brush electromagnetic switch Micromax™ 20DD/20DC
	145 9854 000	1	Fuse 50A
	145 0227 000	1	Fuse 40A
	145 9852 000	1	Fuse 5A



**Nilfisk
Advance**

setting standards

Nilfisk-Advance, Inc.
14600 21st Avenue North
Plymouth, MN, 55447-3408
www.nilfisk-advance.com
Phone: 800-989-2235
Fax: 800-989-6566

©2005 Nilfisk-Advance, Inc.,
Plymouth, MN 55447-3408
Printed in Italy