

Convertamatic

**Model Trac 280
Form No. 042 096**

Serial No. 963 541

December, 1983

REVISED 2/84

PARTS LIST



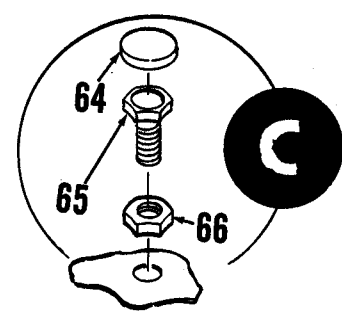
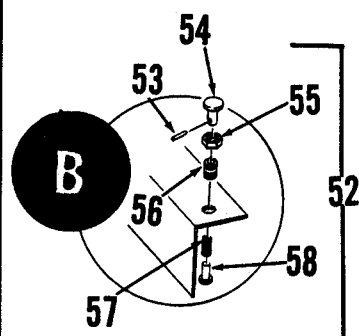
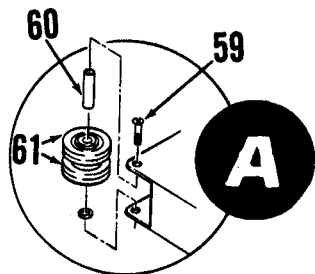
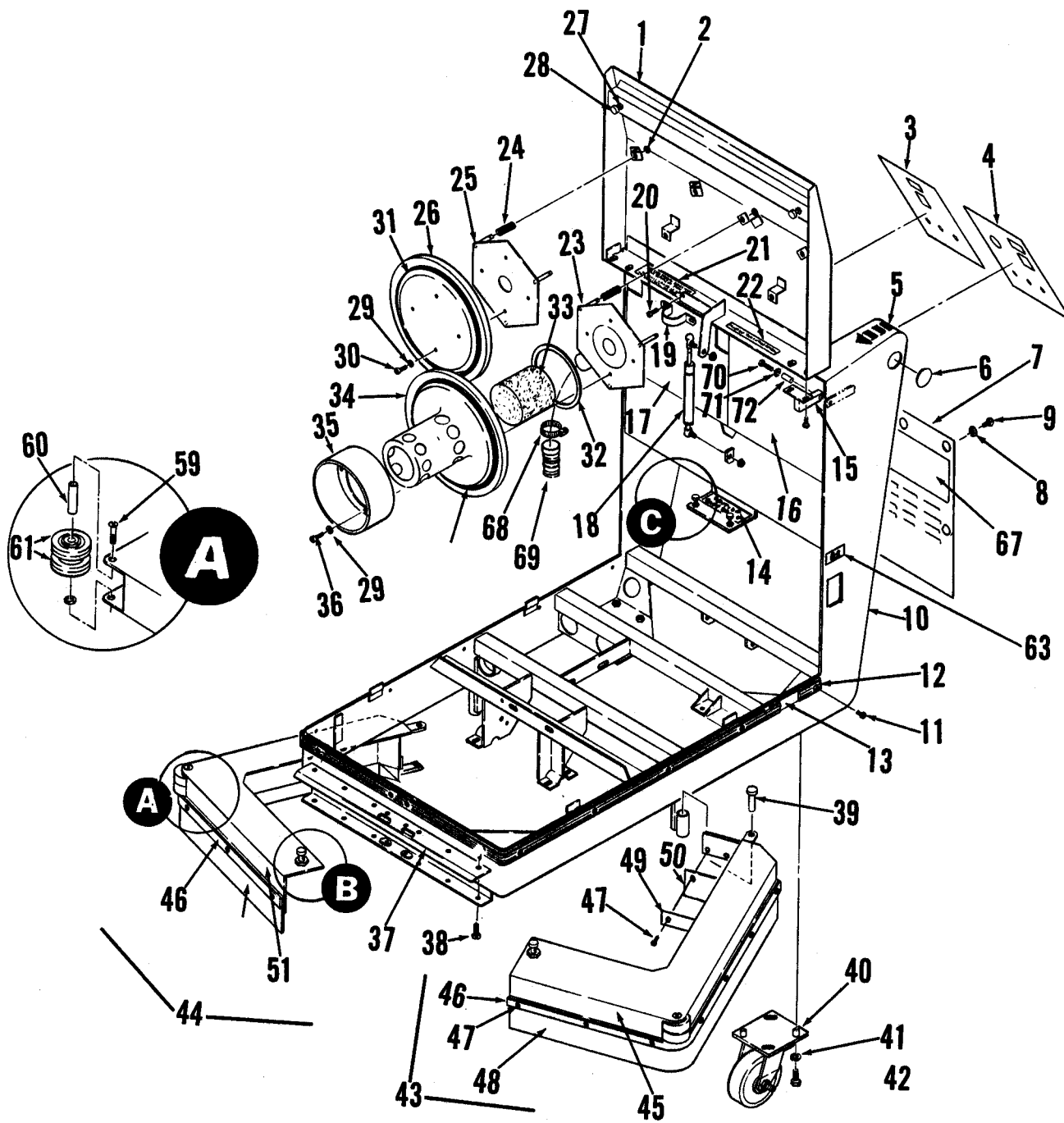
**ADVANCE
MACHINE COMPANY**

INTERNATIONAL HEADQUARTERS, Spring Park, Minnesota 55384-0275
EUROPE, 4 Rue Jean Engling, L-1466 Luxembourg
CANADA, 1295 Crestlawn Drive, Mississauga, Ontario L4W 1A9



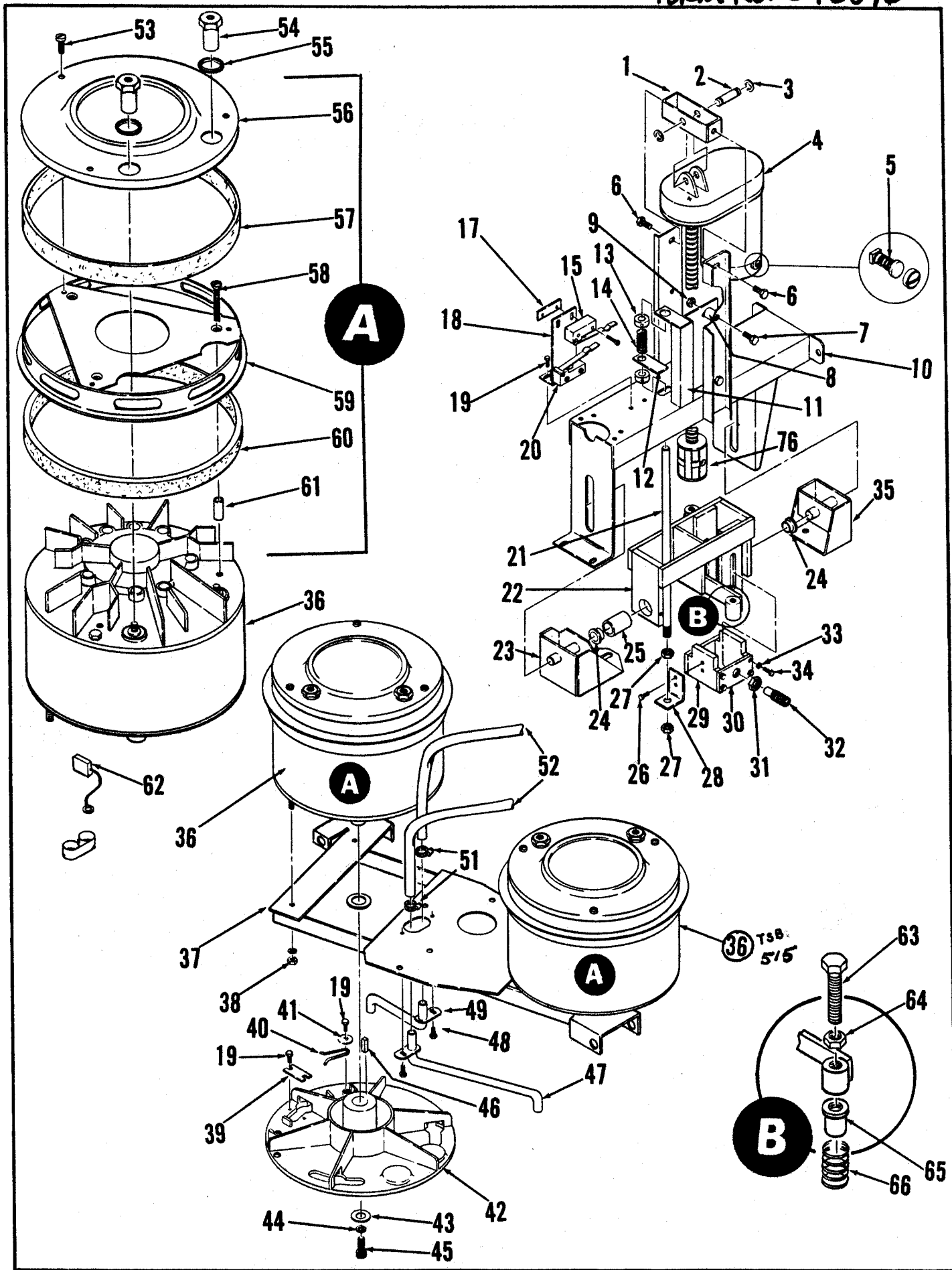
INDEX FOR FORM NUMBER 042096

<u>Description</u>	<u>Location</u>	<u>Page</u>
Brush Drive	D3	3
Brush Locks	D4	4
Chassis, Hood & Skirts	D1	1
Control Handle & Electrical Panel	D11	11
Squeegee	D9	9
Vacuum Motor, Tanks & Battery Housing	D7	7
Vacuum Motor (internal parts)	D8	8
Wheel Drive & Brake	D5	5
Wiring Diagram	D13	13



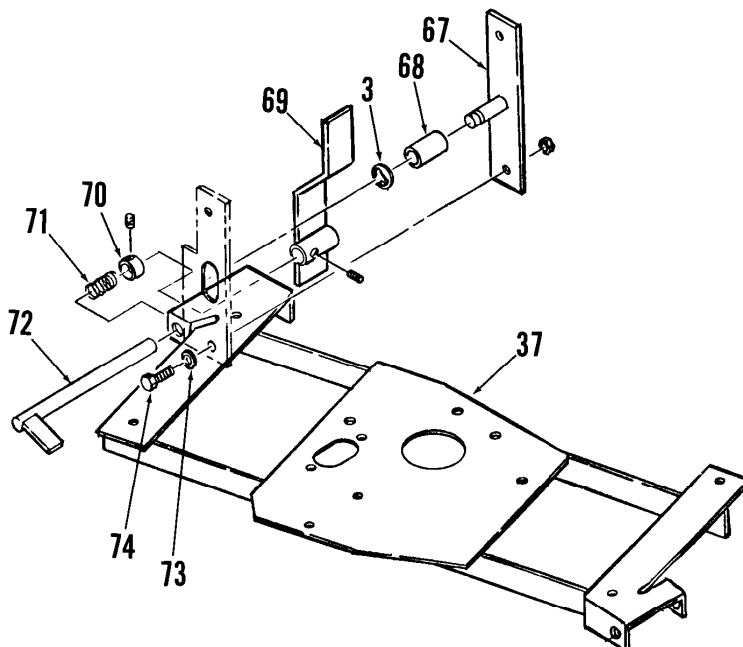
CHASSIS, HOOD AND SKIRTS

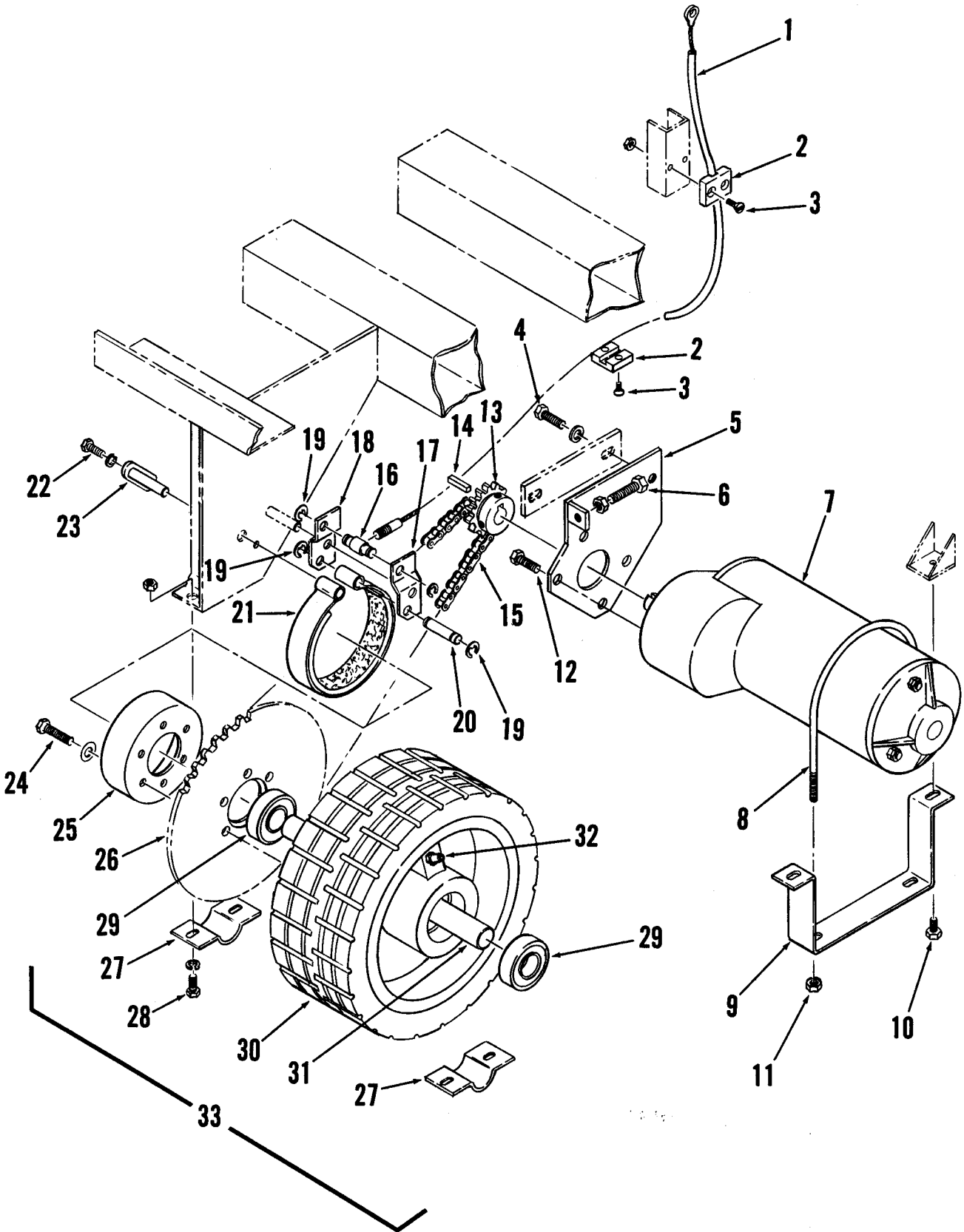
Item	Part No.	Qty	Description	Item	Part No.	Qty	Description
1	376042	1	Hood	38		6	1/4-20 x 1/2 Screw
2	321125	6	Retaining Ring	39	360147	1	Pin, Hinge
3	016944	1	Decal, Control Panel	40	470582	2	Caster, Swivel
4	016942	1	Decal, Control Panel	41		8	Washer, Lock
5	025286	2	Decal, Arrow	42		8	1/4-20 x 3/4 Screw
6	388608	2	Button, Plug	43	376070	1	Skirt Assembly, Left
7	376402	1	Panel, Rear Door	44	376072	1	Skirt Assembly, Right
8	449340	5	Washer, Finishing	45	376380	1	Skirt Frame, Left
9		5	10-24 x 3/8 Screw HP-5	46	376074	2	Strap
10	376140	1	Chassis	47	372929	22	10-24 Screw Brass
11		14	10-24 x 3/4 Screw	48	376076	2	Blade
12	376576	1	Bumper	49	376466	2	Strap
13	376426	1	Strap	50	376464	2	Blade
14	016116	1	Decal, Caution	51	376078	1	Skirt Frame, Right
15	376052	2	Hinge, Hood	52	365548	2	Lock Pin Assembly
16	376370	1	Panel, Inside	53	201472	2	Pin
17	376372	1	Panel, Inside	54	231435	2	Knob
18	385238	1	Cylinder, Hood	55	201413	1	Nut, Hex
19	376428	1	Clamp	56	201383	1	Socket
20		2	10-24 x 3/8 Screw	57	201448	1	Spring
21	016185	1	Decal, Low Sudsing	58	201391	1	Pin
22	025339	1	Decal, Tank	59		2	1/4 -20 x 2-1/2 Screw
23	379197	1	Mount, Centering	60	386823	2	Bushing
24	379170	6	Spring	61	324499	4	Wheel
25	379192	1	Mount, Centering	62		2	Washer, Shakeproof
26	376008	1	Cover	63	016324	1	Decal, Charger Plug
27		2	1/4-20 Nut, Hex	64	401788	2	Cap, Snap-On 3/4 Hex
28	386312	2	Stop, Hood .812 Dia.	65	401783	2	Leveler, Tank
29		8	10 Washer, SAE Brass	66		2	5/16-18 Nut, Hex
30		4	10-24 x 3/8 Screw Brass	67	016948	1	Decal, Wiring Diagram
31	376496	2	Gasket 10.38 x 11.38	68	329145	1	Clamp, Hose
32	385247	1	Gasket .12 x .50 x 12.2	69	376422	1	Hose, Vacuum
33	385198	1	Float, Foam Cylinder	70		2	1/4-20 x 1-1/2 Screw
34	376306	1	Cover	71		2	1/4 Flat Washer
35	376010	1	Deflector	72	471220	2	Bushing
36		4	10-24 x 5/8 Screw Brass				
37	376090	1	Plate, Locking				



BRUSH DRIVE

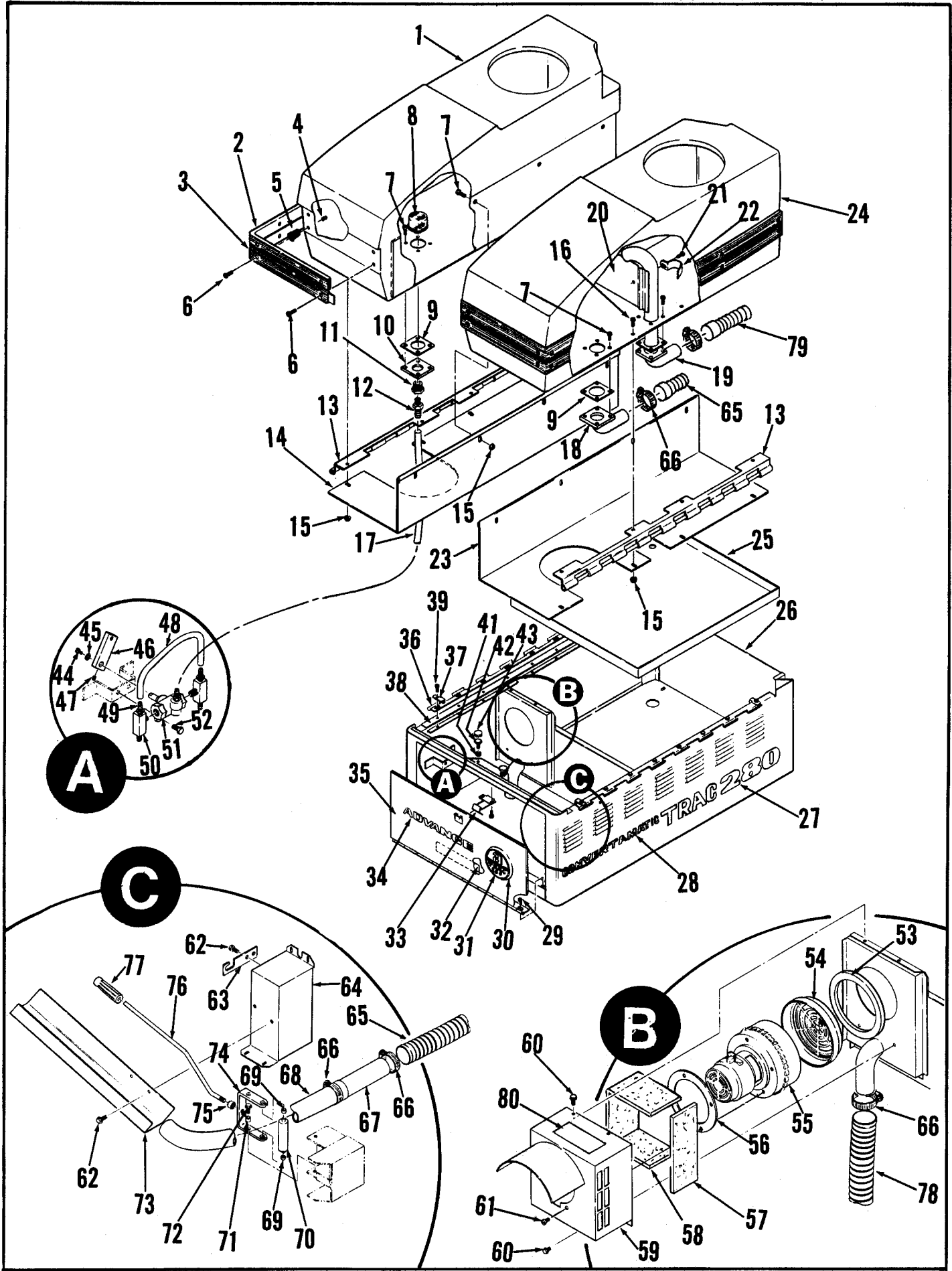
Item	Part No.	Qty	Description	Item	Part No.	Qty	Description
1	376366	1	Flat	39	366455	2	Stop, Plate
2	388672	1	Pin	40	366463	2	Spring, Retainer
3	321427	3	Ring, Retaining	41	151114	2	Washer
4	388518	1	Motor, Gear TSB 540 - F4	42	364042	2	Holder, Brush
5	388517	1	Carbon Brush kit (for 388518)	43	180200	2	Washer
*	470431	1	Carbon Brush kit (for 391627)	44		2	5/16 Lock Washer
6		2	1/4 20 x 1/2 Screw HP-5	45	180196	2	5/16-24 x 1 Screw
7		2	10-24 x 1 Screw	46	740168	2	Key, Square .18 x 1
8	109037	2	Bushing	47	376346	1	Pipe Weldment
9		2	10-24 Nut, Hex	48		4	5/16-18 x 1/2 Screw
10	375388	1	Lift, Brush	49	376344	1	Pipe Weldment
11	376437	1	Bracket, Guide	50	376192	2	Washer
12	376475	1	Bar	51	756364	2	Clamp, Hose SAE #4
13	331076	2	Collar W/10-24 x 1/4 Set Screw	52	376444	2	Tube .38 x 19
14	228142	1	Spring	53		8	10-24 x 1/2 Screw
15	333019	1	Switch, Snap SPST	54	386988	4	Stand-Off
16		4	6-32 x 1 Screw	55	760212	4	Grommet
17	385747	2	Nut Plate	56	386691	2	Cover
18	376038	1	Bracket, Switch	57	180032	2	Filter
19		8	10-24 x 3/8 Screw HP-5	58		6	10-24 x 1 Screw
20	383532	1	Switch, Snap SPDT	59	180008	2	Bracket, Motor
21	388816	1	Rod, Lift	60	206058	2	Gasket, Motor
22	375120	1	Bracket, Centering	61	207489	6	Bushing
23	376094	1	Pin Bracket, Front	62	386313	1	Brushes, Motor (set of 4)
24	185264	2	Bearing, Flange			4	Spring, Motor Brushes
25	376442	1	Bushing	63		2	5/16-18 x 3 Screw
26		2	10-24 x 3/4 Screw	64		2	5/16-18 Nut, Hex
27		1	3/8-16 Nut, Flange	65	388833	2	Guide
28	376479	1	Guide, Rod	66	171123	2	Spring, Compression
29	376450	2	Plate	67	377236	2	Bracket, Brush Lock
30	376448	2	Bar	68	249952	2	Bushing
31		2	1/2-13 Nut, Hex	69	377230	2	Handle, Brush Lock
32	388827	2	Screw	70	152811	2	Collar
33		14	1/4 Washer, Shakeproof	71	171123	2	Spring
34		8	1/4-20 x 1 Screw	72	376111	2	Shaft Lock
35	376096	1	Pin Bracket, Rear	73		4	1/4 Flat Washer
36	376016	2	Motor, 36V DC TSB 515 - F9	74		4	1/4-20 x 3/4 Screw
37	376106	1	Plate, Motor Mounting	75	016974	2	Decal, Brush Lock (not shown)
38		6	1/4-20 Nut, Hex	76	388520	1	Drive Nut





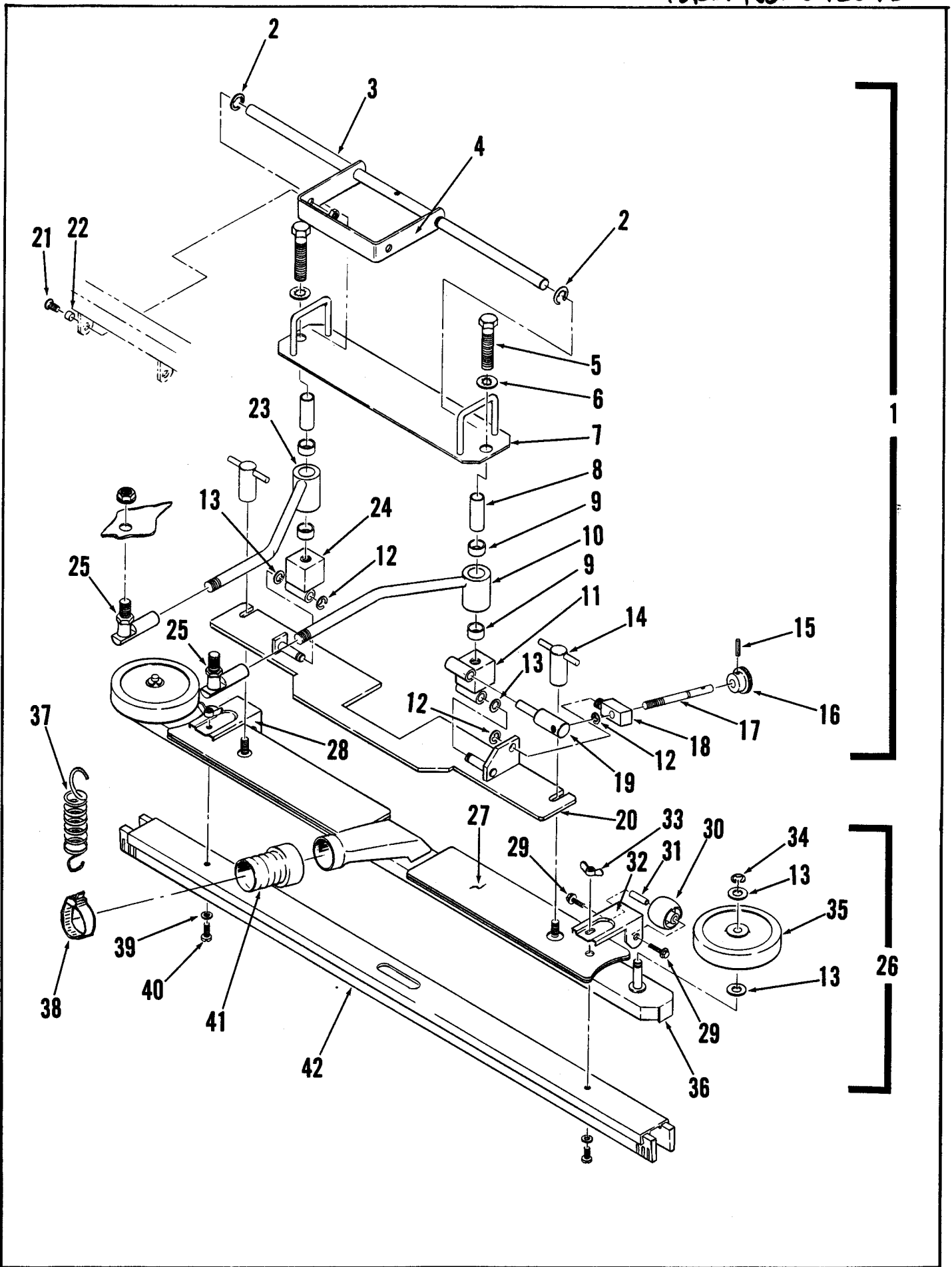
TRACTION DRIVE & BRAKE ASSEMBLY

Item	Part No.	Qty	Description
1	376386	1	Cable Assembly, Brake
2	477884	2	Clamp, Cable
3		4	Screw, Flat Hd 1/4-20 x 7/8 with Hex Nut
4		2	Screw, Hex Hd 3/8-20 x 1 with Lock Washer
5	376352	1	Bracket, Motor Mount
6		1	Screw, Hex Hd 5/16 - 18 x 2 with Hex Nut
7	388510	1	Drive Assembly 3/4 HP TSB 424 - G7
	388515	1	Motor 3/4 HP 36V TSB 506 - F11
	386263	1	Carbon Brush Set
8	388683	1	Clamp, Motor
9	376330	1	Clamp, Motor Hangar
10		2	Screw, Hex Hd 1/4-20 x 3/8 HP5
11		2	Nut, Hex Whiz 5/16-18
12		4	Screw, Hex Hd 3/8-16 x 3/4
13	388688	1	Sprocket
14	740168	1	Key, Square
15	468884	1	Chain, Roller
16	388674	1	Pin, Brake Lever
17	388676	1	Brake Lever - Left
18	388678	1	Brake Lever - Right
19	321427	4	Ring, Retaining
20	388672	1	Pin, Grooved
21	402745	1	Brake Strap Assembly
22		2	Screw, Hex Hd 5/16 18 x 1/2 with Lock Washer
23	388666	2	Bracket, Grooved Pin
24		6	Screw, Hex Hd 5/16-18 x 1-1/4 with Flat Washer
25	388702	1	Drum, Brake
26	388700	1	Sprocket
27	388937	2	Clamp
28		4	Screw, Hex Hd 1/4-20 x 1 with Lock Washer & Nut
29	378380	2	Bearing, Ball
30	376628	1	Wheel
31	388698	1	Axle
32	344362	1	Fitting, Grease
33	376626	1	Wheel Assembly



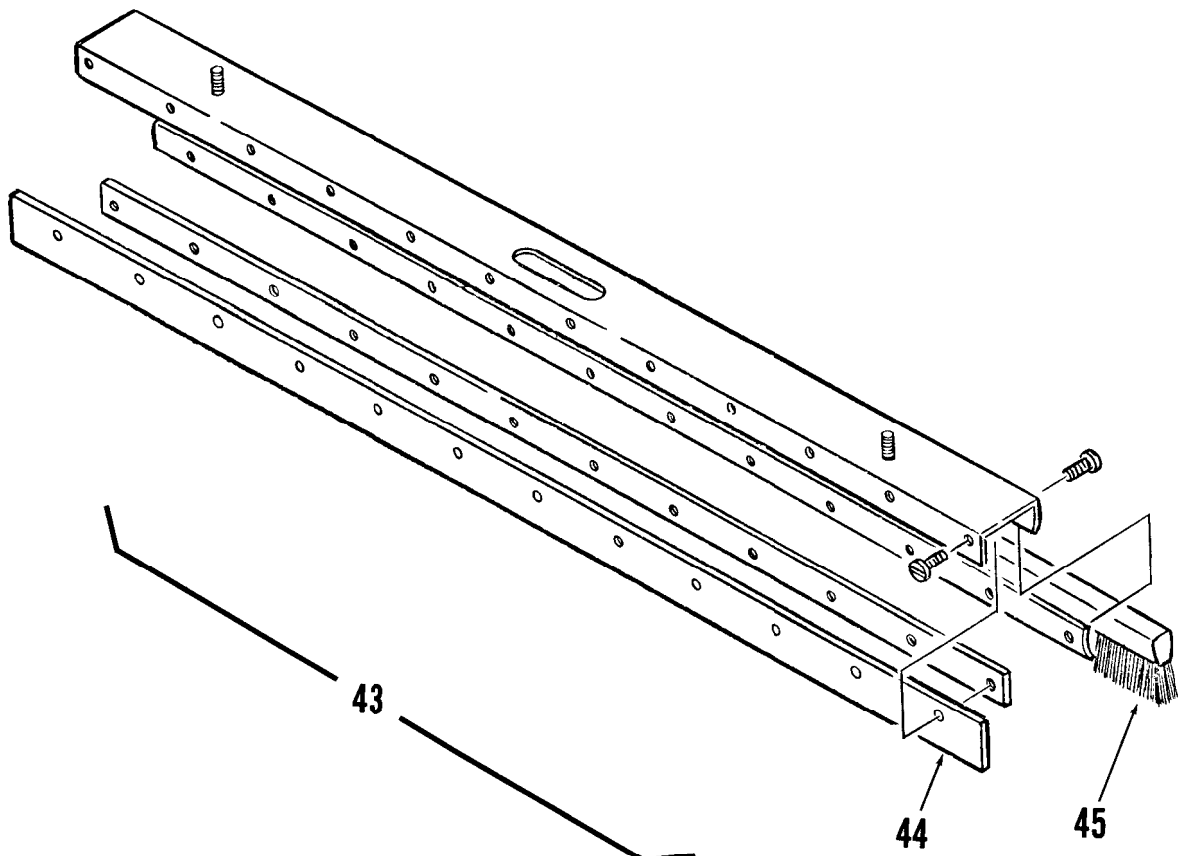
VAC MOTOR, TANKS & BATTERY HOUSING

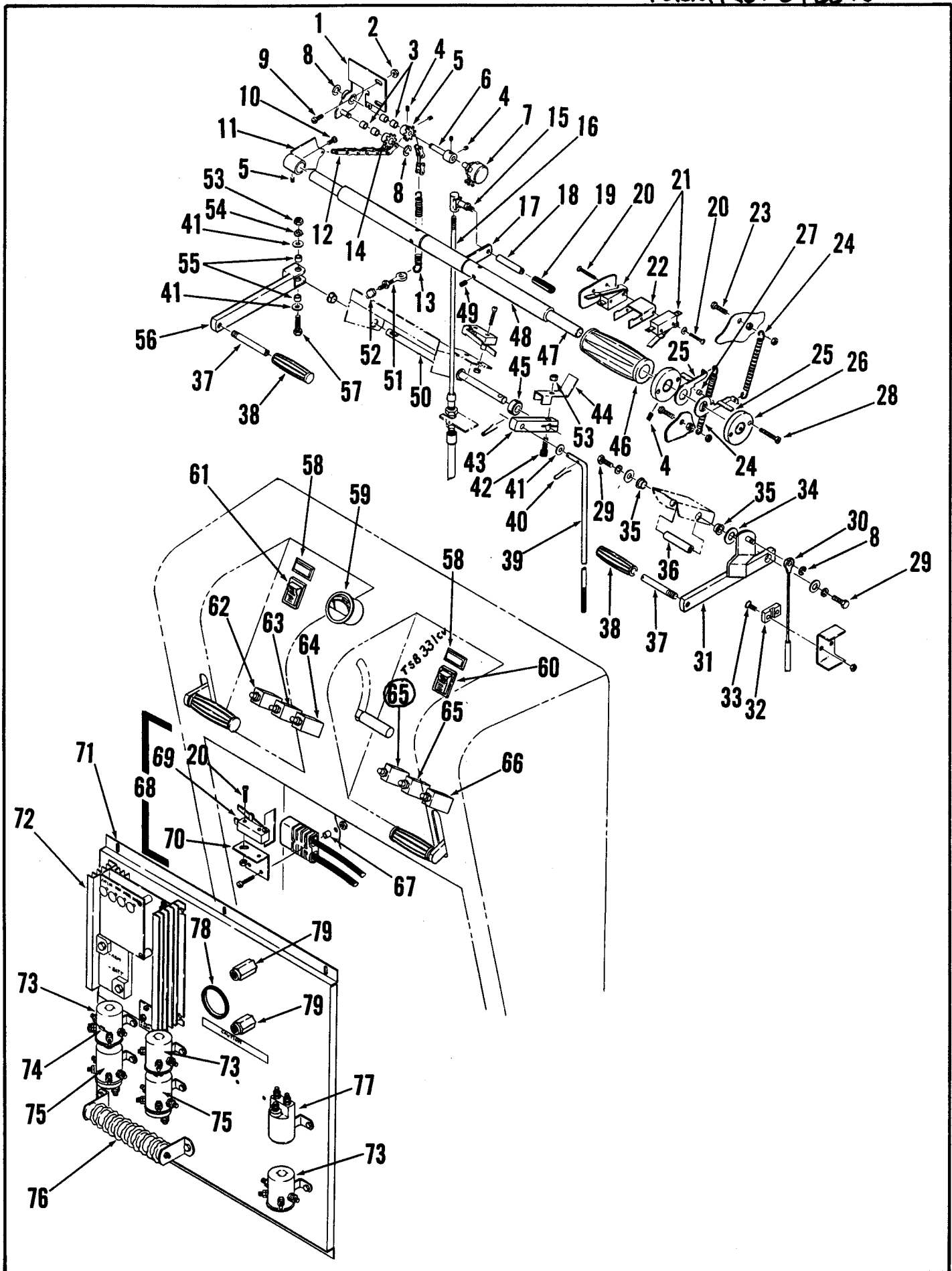
Item	Part No.	Qty	Description	Item	Part No.	Qty	Description
1	376004	1	Tank, Solution	54	384898	1	Filter
2	376499	4	Strap, Bumper	55	202305	1	Motor, Vacuum TSB 357 - G11
3	376498	4	Bumper, Black	56	209325	1	Gasket
4	376616	28	Cap, Rubber	57	376396	1	Foam, Acoustical
5	376608	28	10-32 Well Nut	58	376398	1	Foam, Acoustical
6	376614	28	10-32 x 1 Screw SS	59	376360	1	Mount, Vacuum Motor
7		20	1/4-20 x 1/2 Screw Brass	60		4	10-24 x 3/8 Screw
8	379125	1	Strainer	61		4	8-32 x 3/8 Screw
9	380763	3	Gasket	62		4	1/4-20 x 3/8 Screw
10	379202	1	Plate	63	376440	1	Latch, Handle
11	751686	1	Bushing 3/4 x 3/8 Brass	64	376438	1	Guard
12	249926	1	Barb 3/8 x 3/8 Nylon	65	372222	1	Hose, Drain
13	376490	2	Hinge Assembly	66	329145	5	Clamp, Hose
14	376590	1	Support, Solution Tank	67	204536	1	Coupler, Hose
15		16	1/4-20 Nut, Flange Whiz	68	380712	1	Tube, Drain
16		8	1/4-20 x 5/8 Screw Brass	69	372624	2	Bearing
17	376444	1	Tube .38 x 19	70	372650	1	Roller, Drain Valve
18	376068	1	Tube Weldment	71	368989	2	Bushing
19	376034	1	Tube, Recovery	72		2	1/4-20 x 1/2 Screw
20	376495	1	Baffle			2	Flat Washer
21	209481	1	10-24 x 3/4 Screw SS	73	376484	1	Channel, Drain Hose
22	376493	1	Clamp	74	372652	1	Pivot, Lever
23	376588	1	Support, Recovery Tank	75		1	5/16-18 Nut, Hex
24	376002	1	Tank, Recovery	76	372956	1	Handle, Valve Lever
25	395136	1	Tray, Battery	77	471193	1	Grip, Handle
26	376220	1	Battery Case	78	376422	1	Hose Assembly, Vacuum
27	016954	2	Decal, Trac 280	79	376434	1	Hose Assembly, Squeegee
28	016952	2	Decal Convertamatic	80	030096	1	Decal Warning
29		5	1/4-20 x 3/8 Screw	81	202591	1	Fan **
30	016398	1	Emblem	82	372572	1	Brush **
31	016950	1	Decal Trac 280	83	202843	1	Spring, Load **
32	025363	1	Decal Caution	84	249735	1	Disc **
33	372700	1	Latch, Door	85	228051	2	Bearing **
34	016519	1	Decal Advance	86	372578	1	Bracket, Fan End **
35	376322	1	Door	87	372580	1	Valve, Check **
36	381070	2	Hinge	88	372582	1	Shell, Air Seal **
37	381053	4	Hinge, Clip	89	372584	1	Spacer **
38	385414	4	Nut Plate	90	372586	1	Fan **
39		16	10-24 x 1/2 Screw	91	372582	2	Fan, Rotating **
40		2	10-24 x 3/8 Screw HP-5	92	203516	1	Spacer **
41		2	5/16-18 Nut, Hex UNC				
42	401783	2	Leveler, Tank				** = Repair Parts for 202305 Vac Motor (parts not shown)
43	401788	2	Cap, Snap-On 3/4 Hex				
44		1	8-32 x 1/4 Screw				
45		1	8 Shakeproof Washer				
46	376028	1	Arm				
47		1	10-24 x 1/4 Set Screw				
48	379108	1	Tube, Nylon .375 x 7.5				
49	155640	5	Barb 3/8 x 1/4 Brass				
50	372506	2	Tee Branch 1/4 Brass				
51	368881	1	Valve, 3-Way 1/4				
52		2	1/4-20 x 1/2 Screw				
53	385437	1	Gasket				



SQUEEGEE ASSEMBLY

Item	Part No.	Qty	Description	Item	Part No.	Qty	Description
1	376390	1	Squeegee Lift Assembly	24	376308	1	Cube, Pivot Right
2	468834	2	Ring Retaining	25	477772	2	Ball Joint
3	376273	1	Rod	26	376280	1	Squeegee Assembly 28"
4	376274	1	Lever	27	376476	2	Plate, Weight
5		2	1/2-13 x 2-1/2 Screw	28	376485	2	Roller Assembly C/O
6		2	1/2 Shakeproof Washer	29		2	8-32 x 3/8 Screw HP-5
7	376281	1	Bracket	30	329554	1	Roller
8	377752	2	Bushing	31	387379	1	Axle
9	453655	4	Bearing, Sleeve	32	376483	1	Plate
10	376270	1	Arm, Left	33		2	1/4-20 Wing Nut
11	376311	1	Cube, Pivot Left	34	157066	2	Ring, Retaining 3/8
12	372427	4	Ring, Retaining 3/8	35	228102	2	Wheel
13	371009	6	Washer	36	376282	1	Channel, Squeegee
14	370711	2	Wing Nut	37	358560	1	Spring, Extension
15		1	Groove Pin 1/8 x 1	38	478246	1	Wire Tie
16	217972	1	Knob	39		2	1/4 Washer, Brass
17	376297	1	Rod, Adjusting	40		2	1/4-20 x 7/8 Screw Brass
18	376314	1	Block, Adjusting	41	376434	1	Hose Assembly, Squeegee
19	376315	1	Pin, Adjusting	42	376288	1	Cartridge, Squeegee 28"
20	376300	1	Squeegee Mount				TSB 590 - F1
21		2	10-24 x 5/8 Screw	43	376380	1	Dry Pick-Up Assembly
		2	10-24 Hex Nut	44	376375	1	Blade, Rubber
22	200123	2	Bushing	45	376376	1	Brush Strip
23	376269	1	Arm, Right				





CONTROL HANDLE & ELECTRICAL PANEL

Item	Part No.	Qty	Description	Item	Part No.	Qty	Description
1	377787	1	Bracket	47	388578	1	Tube, Handle
2		2	1/4-20 Nut, Whiz	48	388580	2	Tube
3	372624	4	Bearing, Sleeve	49		4	8-32 x 1/4 Set Screw
4		7	10-24 x 3/16 Set Screw	50	376275	1	Rod
5	377797	1	Sprocket	51	388599	1	Eye Bolt
6	377791	1	Pin	52		1	10-24 Nut, Acorn
7	454740	1	Potentiometer	53		2	1/4-20 Nut, Hex
8	321125	3	Ring, Retaining	54		2	Washer, Shakeproof
9		2	1/4-20 x 5/8 Screw	55	151106	2	Bushing
10		1	10-24 x 3/4 Screw	56	377770	1	Lever
11	377784	1	Lever, Actuator	57		1	1/4-20 x 1-1/2 Screw
12	377793	1	Chain, Roller	58	467410	2	Light, Indicator
13	358560	1	Spring, Extension	59	448662	1	Meter, Battery Condition
14	377796	1	Sprocket	60	377003	1	Switch, Rocker
15	488290	1	Ball Joint	61	376348	1	Switch, Rocker
16	376320	1	Cable, Solution Control	62	454538	1	Circuit Breaker 15 A
17	376060	1	Lever, Solution Control	63	395454	1	Circuit Breaker 20 A
18	376066	1	Handle, Solution Control	64	469788	1	Circuit Breaker 25 A
19	876486	1	Grip	65	171554	2	Circuit Breaker 16 A
20		3	6-32 x 1 Screw	66	387328	1	Circuit Breaker 5 A
21	388019	3	Switch, Snap SPST NC	67	373040	2	Bushing
22	388576	1	Bracket, Switch	68	376432	1	Charger Plug Assembly C/O
23		2	1/4-20 x 1-1/2 Screw	69	388013	1	Switch, Snap SPST NC
		2	1/4-20 Nut	70	389270	1	Bracket, Switch
24	365769	2	Spring, Extension	71	376316	1	Electrical Panel Assembly
25	388562	2	Arm, Switch	72	388521	1	Speed Controller, D.C.
26	388574	2	Collar				TSB 472 - G5
27	151092	2	Bushing	73	395452	3	Contactor 36V
28		1	10-24 x 1-1/4 Screw	74	389265	1	Rectifier Assembly
29		2	1/4-20 x 1/2 Screw	75	388534	2	Solenoid, 36V D.C.
		2	1/4-20 Lock Washer	76	467470	1	Resistor .9 Ohms
		2	1/4-20 Flat Washer	77	395450	1	Contactor 36V
30	376386	1	Cable Assembly, Brake	78	344621	1	Grommet
31	376250	1	Lever, Brake	79	469858	1	Insulated Stand-Off
32	477384	2	Clamp Cable				
33		4	1/4-20 x 7/8 Screw				
		4	1/4-20 Hex Nut				
34		1	1/2 Flat Washer				
35	376248	4	Bearing, Nylon				
36	376468	1	Pin				
37	376254	2	Pin				
38	471193	2	Grip				
39	377780	1	Rod, Squeegee Lifter				
40		2	Cotter Pin 1/16 x 1				
41		4	1/4 Flat Washer, SAE				
42		1	1/4-20 x 1-1/2 Screw				
		1	1/4-20 Nut				
43	377782	1	Lever				
44	376277	1	Actuator, Switch				
45	232408	1	Collar				
46	388545	2	Grip, Handle				

WIRING DIAGRAM

Item	Part No.	Qty	Description	Item	Part No.	Qty	Description
1	469858	2	Stand-Off	18	469788	1	Circuit Breaker, 25 A
2	395452	3	Contactor 36V	19	448662	1	Meter, Battery Condition
3	467470	1	Resistor .9 Ohm	20	395404	2	Resistor Assembly 240 Ohms
4	389265	6	Rectifier Assembly	21	376348	1	Switch, Rocker, Main
5	388534	2	Solenoid 36V DC	22	388510	1	Drive Motor Assembly
6	454740	1	Potentiometer 5K Ohm		388515	1	Motor Only
7	388521	1	Speed Controller, D.C.		386263	1	Carbon Brush Set
8	387328	1	Circuit Breaker, 5 A	23	454538	1	Circuit Breaker 15 A
9	388532	1	Switch, Snap SPDT	24	395454	1	Circuit Breaker 20 A
10	388019	5	Switch, Snap SPST	25	376432	1	Charger Plug Assembly
11	377003	1	Switch, Rocker (Brush Up-Down)		371408	1	Plug Only
12	388518	1	Motor, Lift Actuator	26	376014	6	Battery 6V D.C. (Not included)
13	171554	2	Circuit Breaker, 16 A	27	376470	1	Battery Cable, Positive
14	376016	2	Motor, Brush TSB 515 - F9	28	363936	1	Battery Cable
15	202305	1	Motor, Vacuum	29	363928	4	Battery Cable
16	395450	1	Contactor 36V	30	376472	1	Battery Cable, Negative
17	467410	2	Light, Indicator				

