

**CONVERTAMATIC**

**MODEL TRAC 320, 380 BD**

**FORM NO. 042 099**

**SERIAL NO. 011 899**

**APRIL 1984**

# **PARTS LIST**



© 1984 Advance Machine Company

**ADVANCE**  
**MACHINE COMPANY**

**INTERNATIONAL HEADQUARTERS**, Spring Park, Minnesota 55384-0275

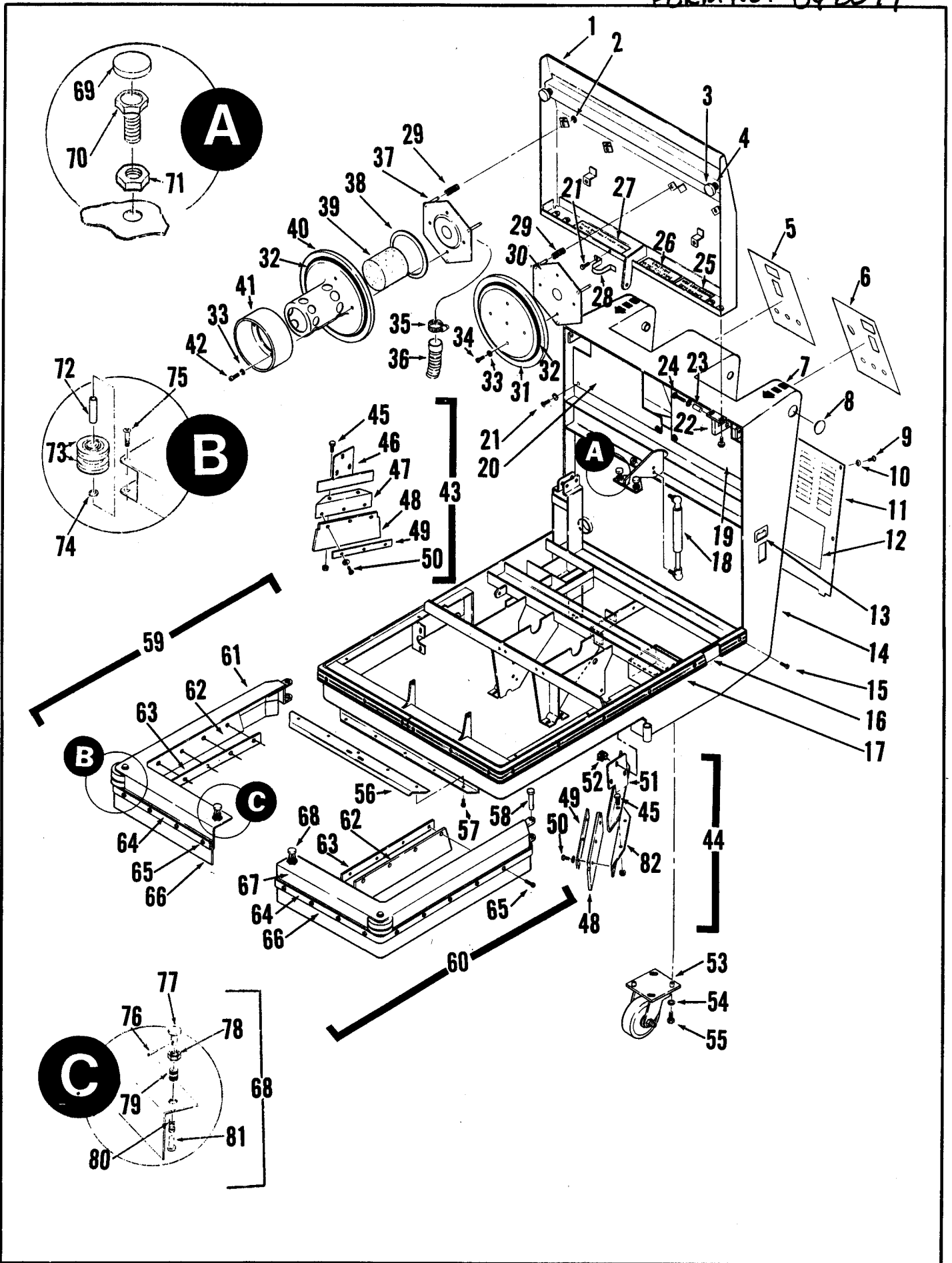
**EUROPE**, 4 Rue Jean Engling, L-1466 Luxembourg

**CANADA**, 1295 Crestlawn Drive, Mississauga, Ontario L4W 1A9



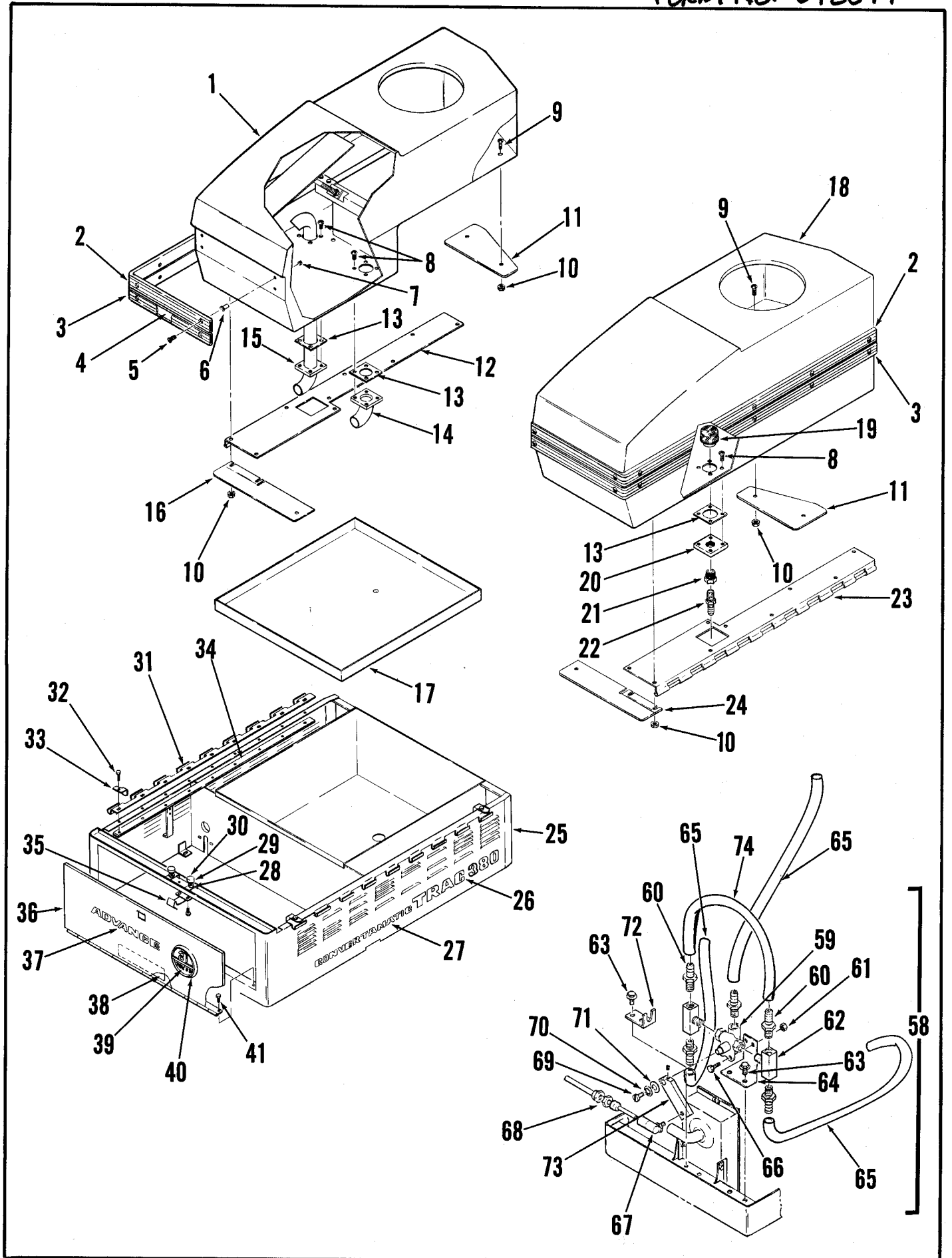
## INDEX FOR FORM NUMBER 042099

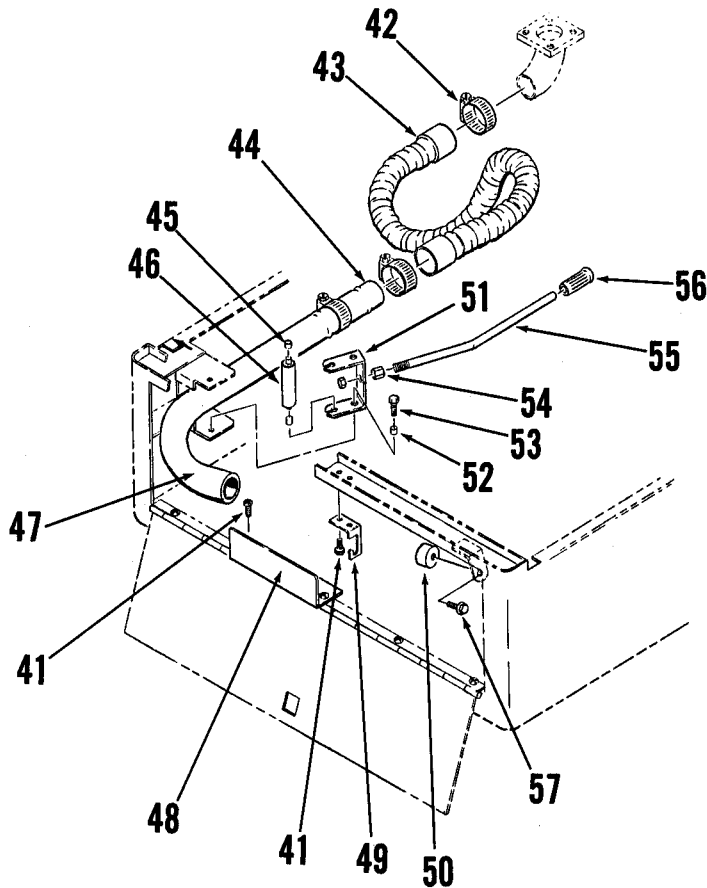
<u>Description</u>	<u>Location</u>	<u>Page</u>
Brush Drive, 320	E1	7
Brush Drive, 380	E3	9
Casters, Skirts & Hood	D8	1
Control Handle & Electrical Panel	E7	13
Squeegee	E5	11
Tanks, Solution Valve & Battery Housing	D10	3
Vacuum Motor	E9	15
Wheel Drive & Brake	D12	5
Wiring Diagram	E10	16



## CHASSIS, HOOD & RELATED PARTS

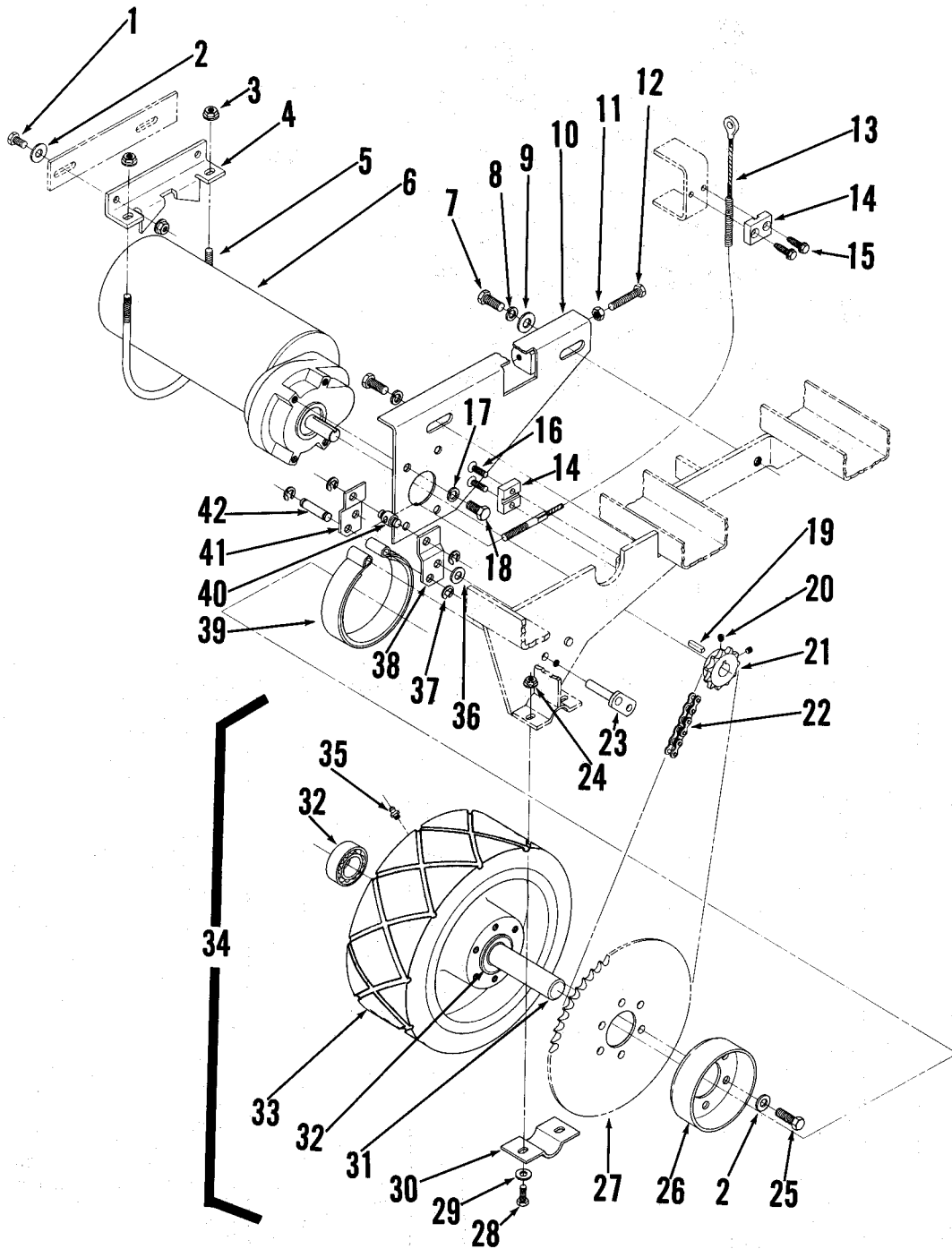
ITEM	PART NO	QTY	DESCRIPTION	ITEM	PART NO	QTY	DESCRIPTION
1	377 310	1	HOOD	70	401 783	2	LEVELER, TANK
2	321 125	6	RING, RETAINING	71		2	NUT, HEX 5/16-18
3	386 312	3	STOP, HOOD .812 DIA.	72	386 823	2	BUSHING .28 X .37 X 1.93
4		2	NUT, HEX 1/4-20	73	324 499	4	WHEEL 3.00 X .781
5	016 944	1	DECAL, CONTROL PANEL	74		2	WASHER, SHAKEPROOF 1/4
6	016 942	1	DECAL, CONTROL PANEL	75		2	SCREW, HEX HD. 1/4-20 X 2 1/2
7	025 286	2	DECAL, "ARROW"	76	201 472	2	PIN
8	388 608	2	BUTTON, PLUG	77	201 405	2	KNOB
9		5	SCREW, OVAL HEAD #10-24 X 3/8 HP-5	78	201 413	2	NUT, HEX
10	449 340	5	WASHER, FINISHING	79	201 383	2	SOCKET
11	377 620	1	PANEL, REAR DOOR	80	201 448	2	SPRING, COMPRESSION
12	016 972	1	DECAL "WIRING DIAGRAM"	81	201 391	2	PIN
13	016 324	1	DECAL "CHARGER PLUG"	82	377 546	1	BRACKET, ANGLE "320" LEFT
14	377 079	1	CHASSIS		377 542	1	BRACKET, ANGLE "380" RIGHT
15		18	SCREW, PAN HD. #10-24 X 3/4				
16	377 640	2	STRAP, BUMPER				
17	377 642	2	BUMPER, RED				
18	385 238	1	CYLINDER, HOOD				
19	377 628	1	COVER, LEFT INSIDE				
20	377 626	1	COVER, RIGHT INSIDE				
21		10	SCREW, PAN HD. #10-24 X 3/8 HP-5 W/FW				
22	376 052	2	HINGE, HOOD				
23	471 220	2	BUSHING .25 X .37 X 1.0				
24		2	SCREW, HEX HD. 1/4-20 X 1 1/2				
25	016 185	1	DECAL "USE LOW SUDSING DETERGENT"				
26	016 057	1	DECAL "CAUTION DO NOT FILL ABOVE 3 INCHES"				
27	025 339	1	DECAL "FLUSH OUT TANK & HOSES AFTER EA. USE"				
28	376 428	1	CLAMP, HOSE				
29	379 170	6	SPRING, COMPRESSION .60 X 2.00				
30	379 192	1	MOUNT, CENTERING				
31	379 186	1	COVER				
32	385 245	2	GASKET 1/4 X 1/2 X 39.70				
33		8	WASHER, SAE #10 BRASS				
34		4	SCREW, PHIL HD. #10-24 X 3/8 BR.				
35	329 145	1	CLAMP, HOSE				
36	377 668	1	HOSE, VACUUM				
37	379 197	1	MOUNT, CENTERING				
38	385 247	1	GASKET .12 X .50 X 12.2				
39	385 198	1	FLOAT, FOAM CYLINDER				
40	385 237	1	COVER				
41	379 206	1	DEFLECTOR				
42		4	SCREW, PHIL HD. #10-24 X 5/8 BR.				
43	377 556	1	BLADE ASSEMBLY-RIGHT "320"				
	377 506	1	BLADE ASSEMBLY-RIGHT "380"				
44	377 558	1	BLADE ASSEMBLY-LEFT "320"				
	377 508	1	BLADE ASSEMBLY-LEFT "380"				
45		4	SCREW, HEX HD. 1/4-20 X 1/2 W/HEX NUT				
46	377 534	1	BRACKET, BLADE MOUNTING-RIGHT				
47	377 546	1	BRACKET, ANGLE "320" RIGHT				
	377 544	1	BRACKET, ANGLE "380" RIGHT				
48	377 554	2	BLADE, RUBBER "320"				
	377 550	2	BLADE, RUBBER "380"				
49	377 552	2	STRAP, BLADE "320"				
	377 548	2	STRAP, BLADE "380"				
50		6	SCREW, PAN HD. #10-24 X 5/8 W/LW				
		8	REQ'D FOR "380"				
51	377 536	1	BRACKET, BLADE MOUNTING-LEFT				
52		6	NUT, HEX 1/4-20				
53	470 582	2	CASTER, SWIVEL				
54		8	WASHER, LOCK 1/4				
55		8	SCREW, HEX HD. 1/4-20 X 3/4				
56	389 139	1	PLATE, SKIRT LOCKING				
57		5	SCREW, HEX HD. 1/4-20 X 1/2				
58	360 147	2	PIN, HINGE				
59	377 510	1	SKIRT ASSEMBLY-RIGHT "320"				
	377 560	1	SKIRT ASSEMBLY-RIGHT "380"				See TSB 346 CV, G-11
60	377 512	1	SKIRT ASSEMBLY-LEFT "320"				
	377 562	1	SKIRT ASSEMBLY-LEFT "380"				See TSB 346 CV, G-11
61	377 514	1	SKIRT, RIGHT "320"				
	377 564	1	SKIRT, RIGHT "380"				
62	377 522	2	BLADE				
63	377 524	2	PLATE, NUT				
64	377 520	2	STRAP, BLADE "320"				
	377 576	2	STRAP, BLADE "380"				
65	372 929	20	SCREW, PAN HD. #10-24 BLK				
66	377 518	2	BLADE "320"				
	377 578	2	BLADE "380"				
67	377 516	1	SKIRT, LEFT "320"				
	377 566	1	SKIRT, LEFT "380"				
68	365 548	2	LOCK ASSEMBLY				
69	401 788	2	CAP, SNAP-ON 3/4 HEX				





### BATTERY HOUSING & TANK ASSEMBLIES

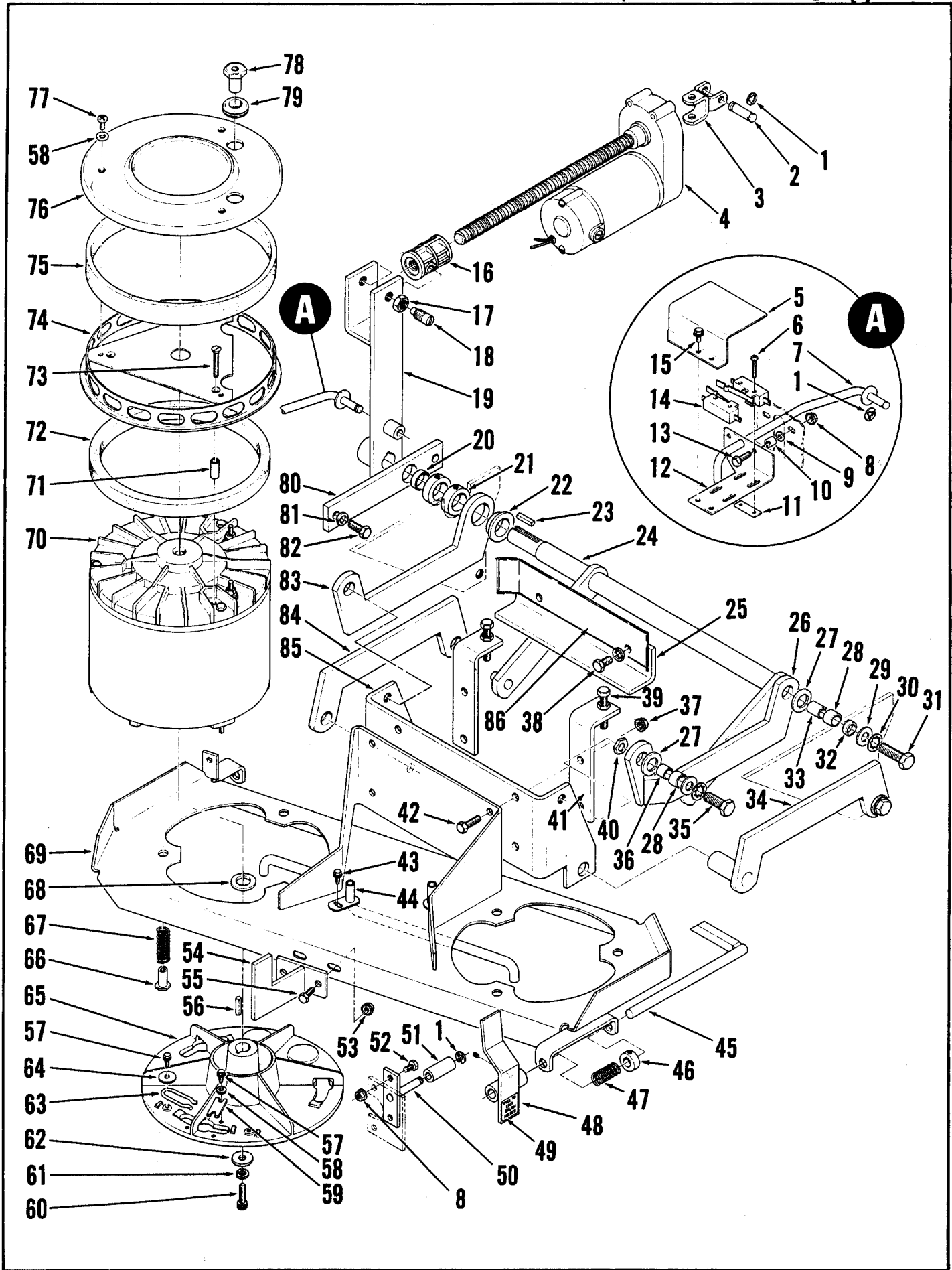
ITEM	PART NO	QTY	DESCRIPTION	ITEM	PART NO	QTY	DESCRIPTION
1	377 013	1	TANK, RECOVERY	37	016 973	1	DECAL "ADVANCE"
2	377 278	2	BUMPER, RED	38	025 363	1	DECAL "CAUTION"
3	377 280	2	BUMPER, BLACK	39	016 966	1	DECAL, "TRAC 320"
4	377 276	4	STRAP		016 968	1	DECAL, "TRAC 380"
5	376 614	28	SCREW S.S. #10-32 X 1.00	40	016 398	1	EMBLEM, ADVANCE
6	376 608	28	WELL-NUT	41		7	SCREW, HEX WASHER 1/4-20 X 1/2 HP-5
7	376 616	28	CAP-RUBBER	42	329 145	3	CLAMP, HOSE
8		12	SCREW, PHIL. RD. HD. BRASS 1/4-20 X 1/2	43	372 222	1	HOSE, 1 1/2 I.D. X 24"
9		24	SCREW, PHIL. RD. HD. BRASS 1/4-20 X 5/8	44	377 670	1	COUPLER, EXTENSION
10		24	WHIZ NUT-FLANGE 1/4-20	45	372 624	2	BEARING
11	377 308	2	PLATE, REAR	46	372 650	1	ROLLER, DRAIN VALVE
12	377 284	1	HINGE	47	380 712	1	TUBE, DRAIN
13	380 763	3	GASKET	48	377 630	1	ANGLE, DRAIN HOSE
14	376 068	1	TUBE WELDMENT	49	372 662	1	LATCH, VALVE LEVER
15	377 295	1	TUBE WELDMENT	50	377 634	1	PLUG
16	377 309	1	PLATE, FRONT	51	372 652	1	PIVOT, LEVER
17	389 110	1	TRAY, BATTERY	52	368 989	2	BUSHING .25 X .37 X .30
18	377 012	1	TANK, SOLUTION	53		2	SCREW, HEX HD. 1/4-20 X 1/2 W/FW
19	379 125	1	STRAINER	54	372 958	1	NUT, HEX 5/16-18
20	379 202	1	PLATE	55	377 264	1	HANDLE, VALVE LEVER
21	751 686	1	BUSHING 3/4 X 3/8 BRASS	56	477 193	1	GRIP, HANDLE
22	249 926	1	BARB 3/8 X 3/8 NYLON	57		1	SCREW, HEX HD. 1/4-20 X 1/2
23	377 282	1	HINGE	58	377 674	1	SOLUTION VALVE ASSEMBLY
24	377 311	1	PLATE, FRONT	59	368 881	1	VALVE, SOLUTION
25	377 117	1	BATTERY CASE	60	155 640	5	BARB
26	016 970	2	DECAL "TRAC 320"	61		2	NUT, HEX 1/4-20
	016 971	2	DECAL "TRAC 380"	62	372 506	2	TEE
27	016 952	2	DECAL "CONVERTAMATIC"	63		4	SCREW, HEX WASHER HD. 1/4-20 X 1/2 HP5
28		2	NUT, HEX 5/16-18	64	377 676	1	BRACKET
29	401 783	2	LEVELER, TANK	65	377 664	1	TUBE .375 X 20"
30	401 788	2	CAP, SNAP-ON	66		2	SCREW, HEX HD. 1/4-20 X 3/4
31	377 288	2	HINGE	67	488 290	1	BALL JOINT
32		18	SCREW, HEX HD. #10-24 X 1/2	68	377 002	1	CABLE, SOLUTION CONTROL
33	381 053	4	CLIP, HINGE	69		1	SCREW, PAN HD. #8-32 X 3/8
34	377 290	2	NUT PLATE - HINGE	70		1	WASHER, SHAKEPROOF #8
35	372 700	1	LATCH, DOOR	71		1	WASHER, FLAT #8
36	377 139	1	DOOR, BATTERY CASE	72	377 262	1	BRACKET
				73	377 672	1	ARM
				74	379 108	1	TUBE PVC 3/8 X 7 1/2



## TRACTION DRIVE & BRAKE ASSEMBLY

Item	Part No.	Qty	Description
1		2	Screw, Hex Head 5/16-18 x 3/4
2		8	Washer, 5/16 Flat
3		4	Nut, 5/16-18 Whiz
4	388682	1	Angle, Motor Mount
5	388686	1	Clamp, Bracket
6	388510	1	Drive Assembly 3/4 HP <b>TSB 424 - G5, TSB 506 - G1</b>
	388515	1	Drive Motor, 36 V, 3/4 HP
	386263	1	Carbon Brush Set
7		2	Screw, Hex Head 1/2-13 x 7/8
8		2	Washer, 1/2 Lock
9		2	Washer, 1/2 Flat
10	388692	1	Bracket, Motor Mount
11		1	Nut, 5/16-18 Hex
12		1	Screw, Hex Head 5/16-18 x 1-3/4
13	376386	1	Brake Cable Assembly
14	477884	2	Clamp, Cable
15		2	Screw, Hex Washer Head 1/4-20 x 1 HP5
16		2	Screw, Flat Head 1/4-20 x 1
17		4	Washer 3/8 Lock
18		4	Screw, Hex Head 3/8-16 x 3/4
19	740168	1	Key, Square 3/16 x 1
20		2	Screw, Set 1/4-20 x 1/4
21	388688	1	Sprocket <b>TSB 424 - G5</b>
22	468884	1	Chain #40 x 65 <b>TSB 424 - G5</b>
23	388666	1	Pin Weldment
24		4	Nut, 1/4-20 Whiz
25		6	Screw, Hex Head 5/16-18 x 1-1/4
26	388 702	1	Drum, Brake
27	388 700	1	Sprocket
28		4	Screw, Hex Head 1/4-20 x 1
29			Washer, 1/4 Flat
30	388937	2	Clamp
31	388698	1	Axle
32	378380	2	Bearing, Ball
33	376628	1	Wheel 10.00 x 4.00
34	376626	1	Wheel Assembly
35	344362	1	Fitting, WBE 1/4-28
36		A/R	Washer, 3/8 Flat
37		4	Ring, Retaining 3/8
38	388676	1	Brake Lever, Left
39	402745	1	Brake Strap
40	388674	1	Pivot, Brake Cable
41	388678	1	Brake Lever, Right
42	388672		Pin, Brake Strap



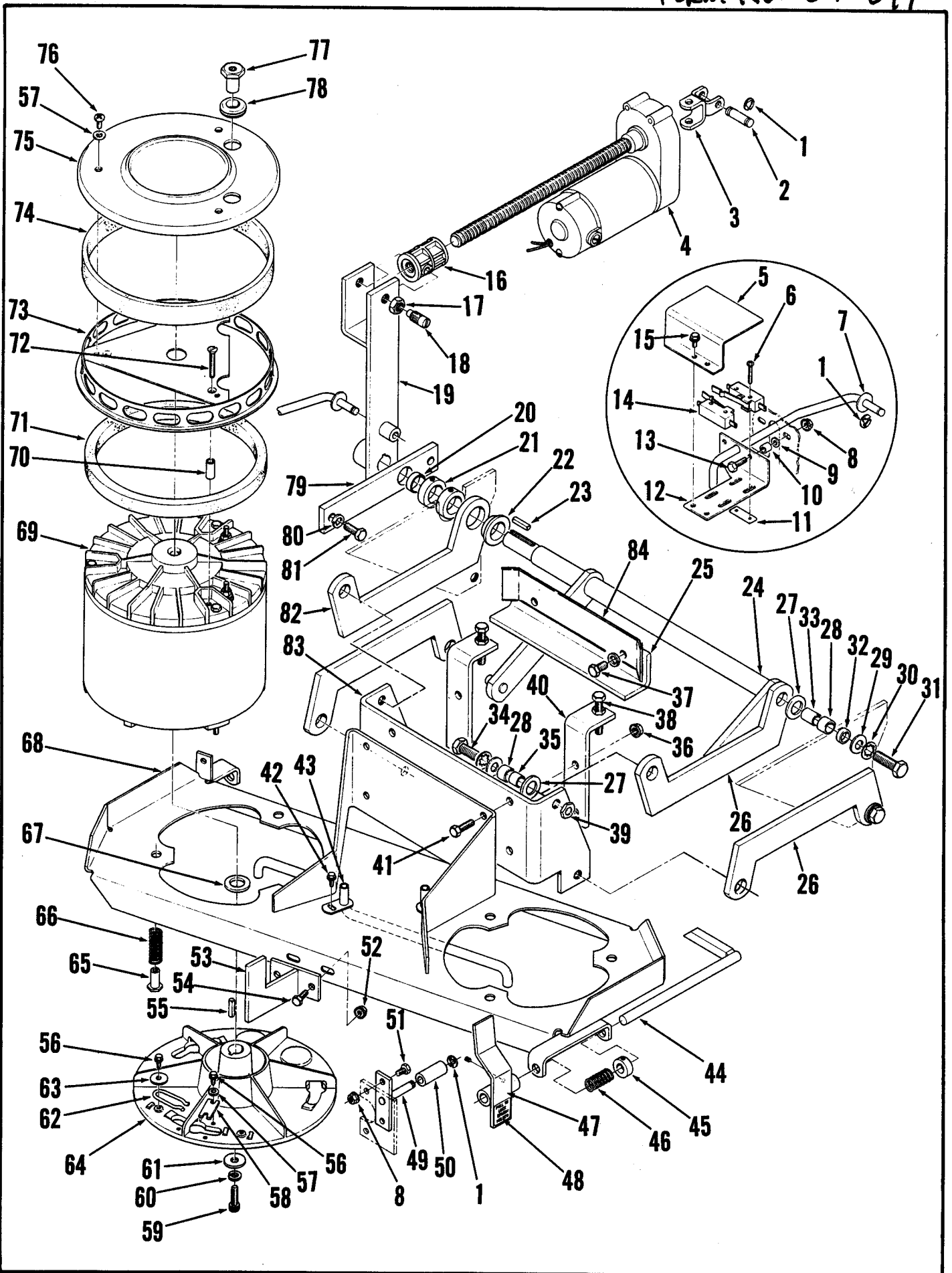


## BRUSH DRIVE UNIT ASSEMBLY - 320

Item	Part No.	Qty	Description	Item	Part No.	Qty	Description
1	321427	7	Ring, Retainer	51	249952	2	BushinG
2	388672	2	Pin	52		4	Screw, 1/4-20 X 5/8
3	377170	1	Yoke Weldment	53		2	Nut, 5/16-18
4	388518	1	Motor, Gear <b>TSB 540, F-8</b>	54	377248	1	Guide Weldment
*	388517	1	Carbon Brush Kit (for 388518)	55		2	Screw, 5/16-18 X 3/4
*	470431	1	Carbon Brush Kit (for 391627)	56	370010	2	Key, Square 3/16 X 1-7/8
5	377648	1	Shield, Switch	57		6	Screw, #10-24 X 3/8 HP-5
6		4	Screw, #6-32X 1-1/8	58		4	Washer, #10 FFlat
7	377636	1	Lever, Switch	59	366455	2	Plate, Stop
8		6	Nut, 1/4-20	60	180196	2	Screw, 5/16-24 X 1
9		2	Washer, 1/4 Flat	61		2	Washer, 5/16 Lock
10	321532	2	Bushing	62	180200	2	Washer
11	385747	2	Nut Plate	63	366463	2	Clip, Spring
12	377646	1	Bracket, Switch	64	151114	2	Washer
13		2	Screw, 1/4-20 X 7/8	65	364042	2	Holder Brush
14	388019	2	Switch	66	377244	6	Nut, Spacer
15		2	Screw, #10-24 X 3/8	67	377253	6	Spring
16	388520	1	Nut, Gear Motor	68	367192	2	Washer
17		2	Nut, 1/2-13	69	377200	1	Base, Motor
18	377174	2	Screw	70	377010	2	Motor, 36 VDC
19	377162	1	Lever Weldment	*	503024	1	Replacement Field Housing (for 377010)
20	250694	1	Bearing, Sleeve				
21	444820	2	Collar	71	207489	6	Bushing
22	377196	1	Bearing, Flanged	72	206058	2	Gasket
23	740168	1	Key, Square 3/16 X 1	73		6	Screw, #10-24 X 1-1/2
24	377178	1	Lever Weldment	74	180008	2	Bracket Weldment
25	377650	1	Plate, Stop	75	180032	2	Filter
26	377212	1	Arm Weldment	76	386691	2	Cover, Motor
27	367192	7	Washer	77		6	Screw, #10-24 X 1/2
28	367168	7	Bearing, Sleeve	78	386988	4	Standoff
29	367214	7	Washer	79	760212	4	Grommet
30		7	Washer, Shakeproof 1/2	80	377176	1	Bar
31		1	Screw, 1/2-13 X 1-1/2	81		4	Washer, 3/8 Lock
32	478781	2	Bearing, Sleeve	82		2	Screw, 3/8—16X 7/8
33	367486	1	BushinG	83	377220	1	Arm Weldment
34	377256	1	Arm Weldment	84	377218	1	Arm Weldment
35		6	Screw, 1/2-13 X 1-1/8	85	377208	1	Bracket
36	367206	6	Bushing	86	377652	1	Guard
37		4	Nut, 3/8-16				
38		2	Screw, 3/8-16 X 5/8	**	505780	2	Pad Holder
39		2	Screw, 3/8-16 X 2	**	505781	2	Magna-Grit 46 Brush
40	441236	6	Nut, 1/2 Spring	**	505782	2	Dyna-Grit 80 Brush
41	377632	2	Bracket	**	505783	2	Ag-lite-Grit 500 Brush
42		4	Screw, 3/8-16 X 1-1/8	**	505784	2	Prolene Brush
43		2	Screw, #10-24 X 1/2 HP-5	**	505785	2	Prolite
44	376346	2	Pipe, Solution	**	505786	2	Union Mix Brush
45	377224	2	Lock Weldment	**	505787	2	MidGrit 240 Brush
46	152811	2	Collar	**	505788	2	MidLite 180 Brush
47	171123	2	Spring				
48	377230	2	Handle Weldment				
49	016974	2	Decal, Brush Lock				
50	377236	2	Bracket Weldment				

\* = Not Shown

\*\* = Optional, Not Included

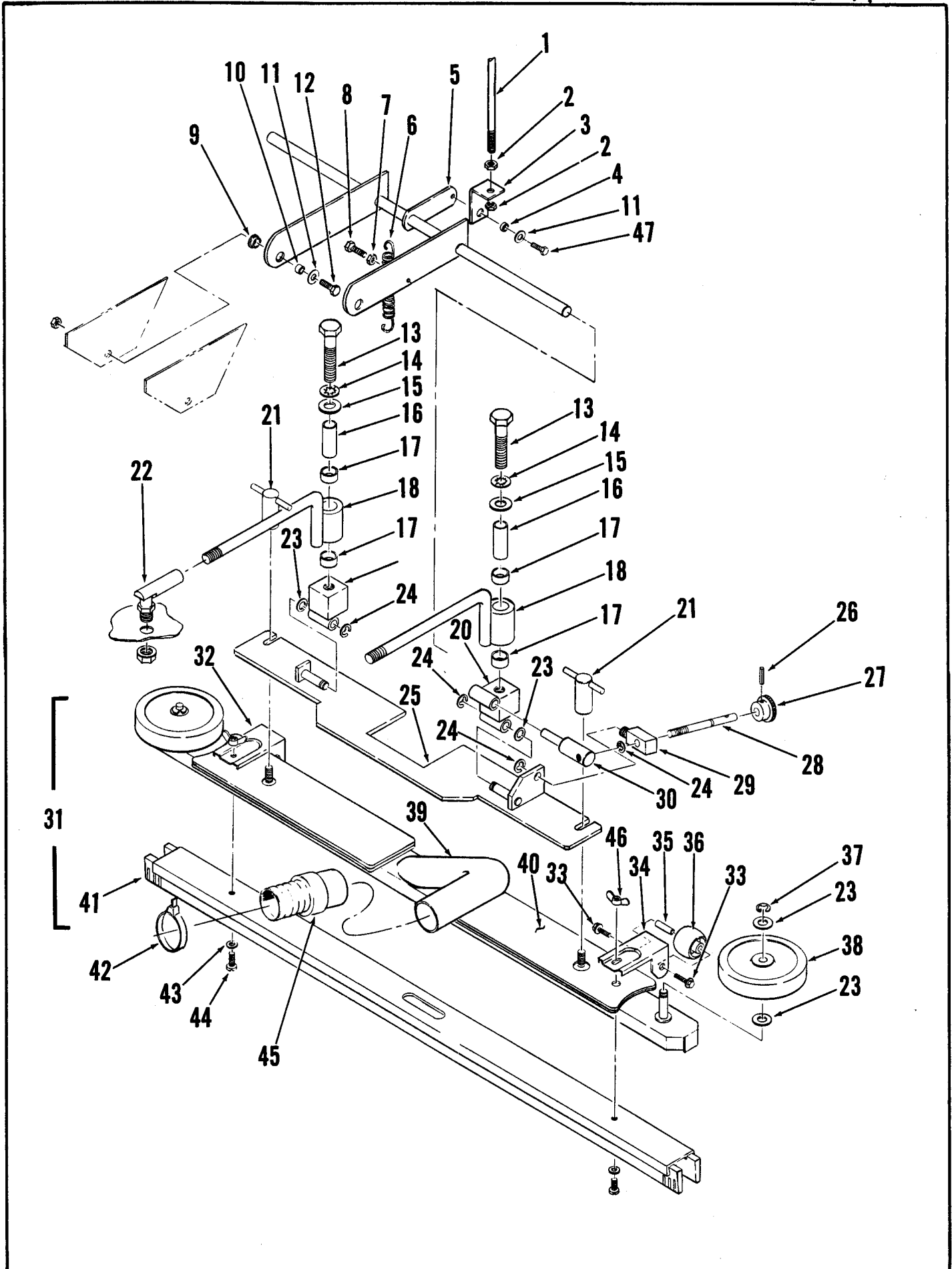


## BRUSH DRIVE UNIT ASSEMBLY - 380

Item	Part No.	Qty	Description	Item	Part No.	Qty	Description
1	321427	7	Ring, Retainer	50	249952	2	BushinG
2	388672	2	Pin	51		4	Screw, 1/4-20 X 5/8
3	377170	1	Yoke Weldment	52		2	Nut, 5/16-18
4	388518	1	Motor, Gear <b>TSB 540, F-8</b>	53	377248	1	Guide Weldment
*	388517	1	Carbon Brush Kit (for 388518)	54		2	Screw, 5/16-18 X 3/4
*	470431	1	Carbon Brush Kit (for 391627)	55	370010	2	Key, Square 3/16 X 1-7/8
5	377648	1	Shield, Switch	56		6	Screw, #10-24 X 3/8 HP-5
6		4	Screw, #6-32X 1-1/8	57		4	Washer, #10 FLat
7	377636	1	Lever, Switch	58	366455	2	Plate, Stop
8		6	Nut, 1/4-20	59	180196	2	Screw, 5/16-24 X 1
9		2	Washer, 1/4 Flat	60		2	Washer, 5/16 LockK
10	321532	2	Bushing	61	180200	2	Washer
11	385747	2	Nut Plate	62	366463	2	Clip, Spring
12	377646	1	Bracket, Switch	63	151114	2	Washer
13		2	Screw, 1/4-20 X 7/8	64	364042	2	Holder Brush
14	388019	2	Switch	65	377244	6	Nut, Spacer
15		2	Screw, #10-24 X 3/8	66	377253	6	Spring
16	388520	1	Nut, Gear Motor	67	367192	2	Washer
17		2	Nut, 1/2-13	68	377150	1	Base, Motor
18	377174	2	Screw	69	377010	2	Motor, 36 VDC
19	377162	1	Lever Weldment	*	503024	1	Replacement Field Housing (for 377010)
20	250694	1	Bearing, Sleeve	70	207489	6	Bushing
21	444820	2	Collar	71	206058	2	Gasket
22	377196	1	Bearing, Flanged	72		6	Screw, #10-24 X 1-1/2
23	740168	1	Key, Square 3/16 X 1	73	180008	2	Bracket Weldment
24	377178	1	Lever Weldment	74	180032	2	Filter
25	377650	1	Plate, Stop	75	386691	2	Cover, Motor
26	377194	1	Arm Weldment	76		6	Screw, #10-24 X 1/2
27	367192	7	Washer	77	386988	4	Standoff
28	367168	7	Bearing, Sleeve	78	760212	4	Grommet
29	367214	7	Washer	79	377176	1	Bar
30		7	Washer, Shakeproof 1/2	80		4	Washer, 3/8 LockK
31		1	Screw, 1/2-13 X 1-1/2	81		2	Screw, 3/8-16X 7/8
32	478781	2	Bearing, Sleeve	82	377186	1	Arm Weldment
33	367486	1	Bushing	83	377160	1	Bracket
34		6	Screw, 1/2-13 X 1-1/8	84	377652	1	Guard
35	367206	6	Bushing	**	505790	2	Pad Holder
36		4	Nut, 3/8-16	**	505791	2	Magna-Grit 46 Brush
37		2	Screw, 3/8-16 X 5/8	**	505792	2	Dyna-Grit 80 Brush
38		2	Screw, 3/8-16 X 2	**	505793	2	Aglite-Grit 500 Brush
39	441236	6	Nut, 1/2 Spring	**	505794	2	Prolene Brush
40	377632	2	Bracket	**	505795	2	Prolite
41		4	Screw, 3/8-16 X 1-1/8	**	505796	2	Union Mix Brush
42		2	Screw, #10-24 X 1/2 HP-5	**	505797	2	MidGrit 240 Brush
43	376346	2	Pipe, Solution	**	505798	2	MidLite 180 Brush
44	377224	2	Lock Weldment				
45	152811	2	Collar				
46	171123	2	Spring				
47	377230	2	Handle Weldment				
48	016974	2	Decal, Brush Lock				
49	377236	2	Bracket Weldment				

\* = Not Shown

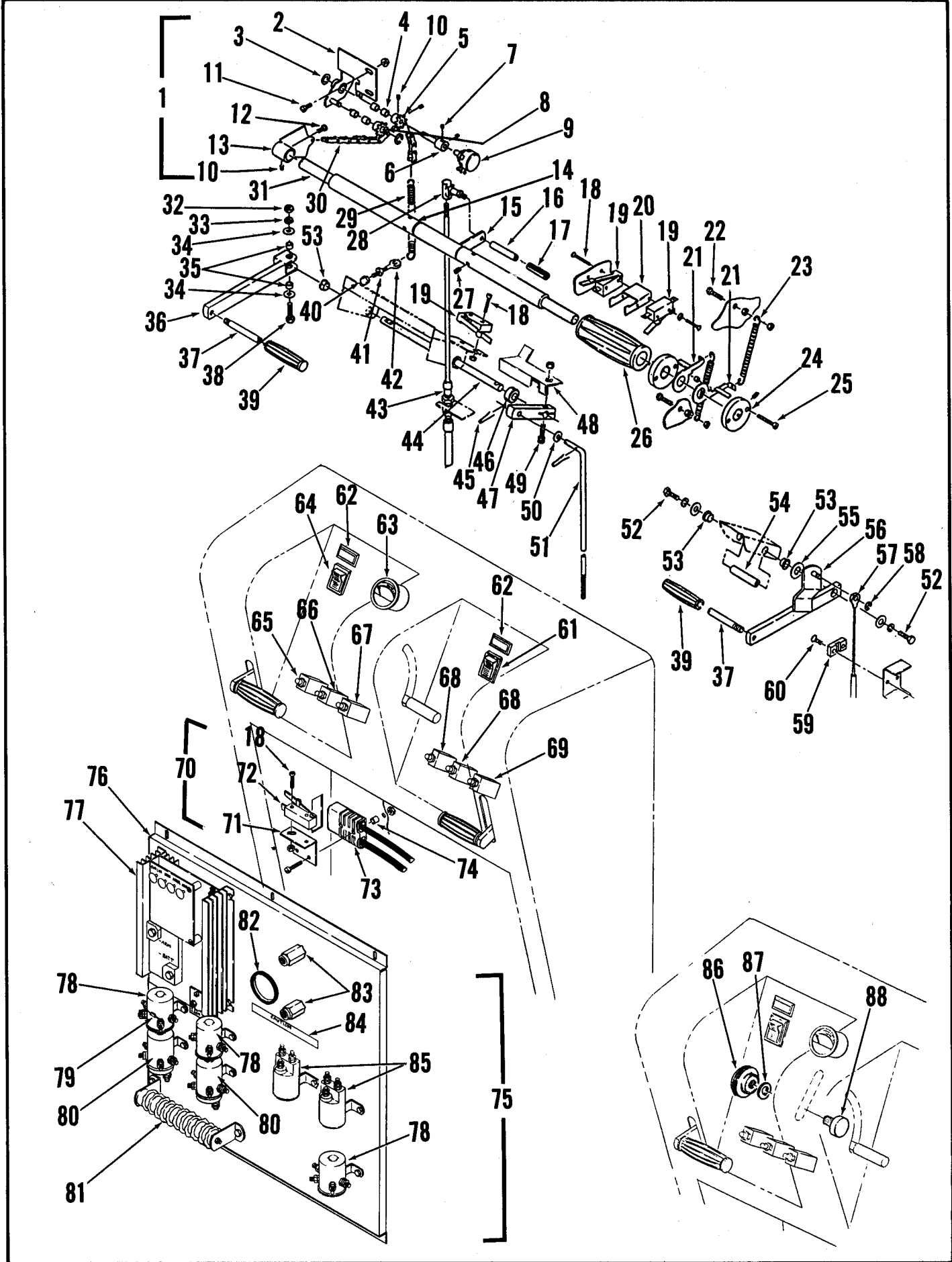
\*\* = Optional, Not Included



# SQUEEGEE ASSEMBLY

ITEM	PART NO	QTY	DESCRIPTION
1	377 780	1	ROD, SQUEEGEE LIFTER
2		4	NUT, HEX JAM 1/4-20
3	377 754	1	YOKE
4	163 872	1	BUSHING
5	377 744	1	LIFTER, SQUEEGEE
6	365 769	1	SPRING, EXTENSION
7		1	NUT, HEX JAM #10-24
8		1	SCREW, HEX HD. #10-24 X 3/4 HP-5
9	324 505	2	BEARING, FLANGE .376
10	475 411	2	BUSHING .25 X .38 X .48
11		3	WASHER, FLAT 1/4 SAE
12		2	SCREW HEX HD. 1/4-20 X 1"
13		2	SCREW, HEX HD. 1/2-13 X 2 1/2
14		2	WASHER, SHAKEPROOF 1/2
15		2	WASHER, FLAT 1/2 SAE
16	377 752	2	BUSHING .503 X .62 X 1.75
17	453 655	4	BEARING, SLEEVE
18	377 758	2	ARM
19	376 308	1	CUBE, PIVOT - RIGHT
20	376 311	1	CUBE, PIVOT - LEFT
21	370 711	2	WING NUT
22	477 772	2	BALL JOINT
23	371 009	6	WASHER .391 X .62 X .06
24	321 427	4	RING, RETAINING
25	376 300	1	SQUEEGEE MOUNT
26		1	GROOVE PIN 1/8 X 1.00
27	217 972	1	KNOB
28	376 297	1	ROD, ADJUSTING
29	376 314	1	BLOCK, ADJUSTING
30	376 315	1	PIN, ADJUSTING
31	377 380	1	SQUEEGEE ASSEMBLY 32"
	377 400	1	SQUEEGEE ASSEMBLY 38" <i>TSB 401, G-6</i>
32	376 485	2	ROLLER ASSEMBLY C/O
33		2	SCREW, HEX WASHER #8-32 X 3/8 HP-5
34	376 483	1	PLATE
35	387 374	1	AXEL
36	329 554	1	ROLLER
37	157 066	2	RING, RETAINING EXT 3/8 ST.
38	228 102	2	WHEEL, BUMPER 4.00 X .875
39	377 382	1	TOOL 32"
	377 402	1	TOOL 38"
40	377 388	4	PLATE, WEIGHT 32"
	377 416	4	PLATE, WEIGHT 38"
41	377 378	1	SQUEEGEE CARTRIDGE 32" <i>TSB 590-FS</i>
	377 404	1	SQUEEGEE CARTRIDGE 38" <i>TSB 590-FS</i>
42	478 246	1	TIE, CABLE
43		2	WASHER, BRASS 1/4
44		2	SCREW, RD. HD. BRASS 1/4-20 X 7/8
45	377 313	1	HOSE ASSEMBLY
46		2	WING NUT 1/4-20
47		1	SCREW, HEX HD. 1/4-20 X 3/4 HP-5

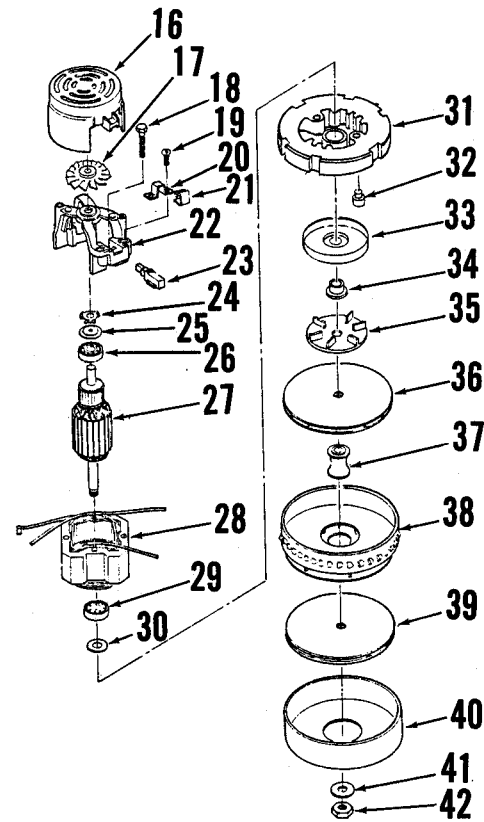
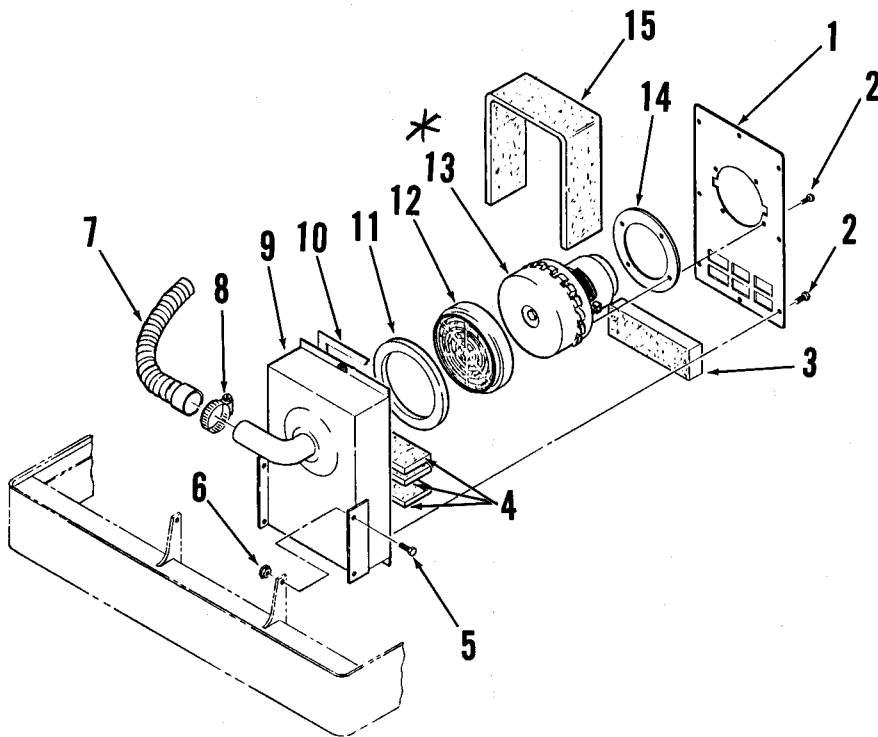
TSB  
396,  
F-7



## CONTROLS &amp; HANDLE ASSEMBLY

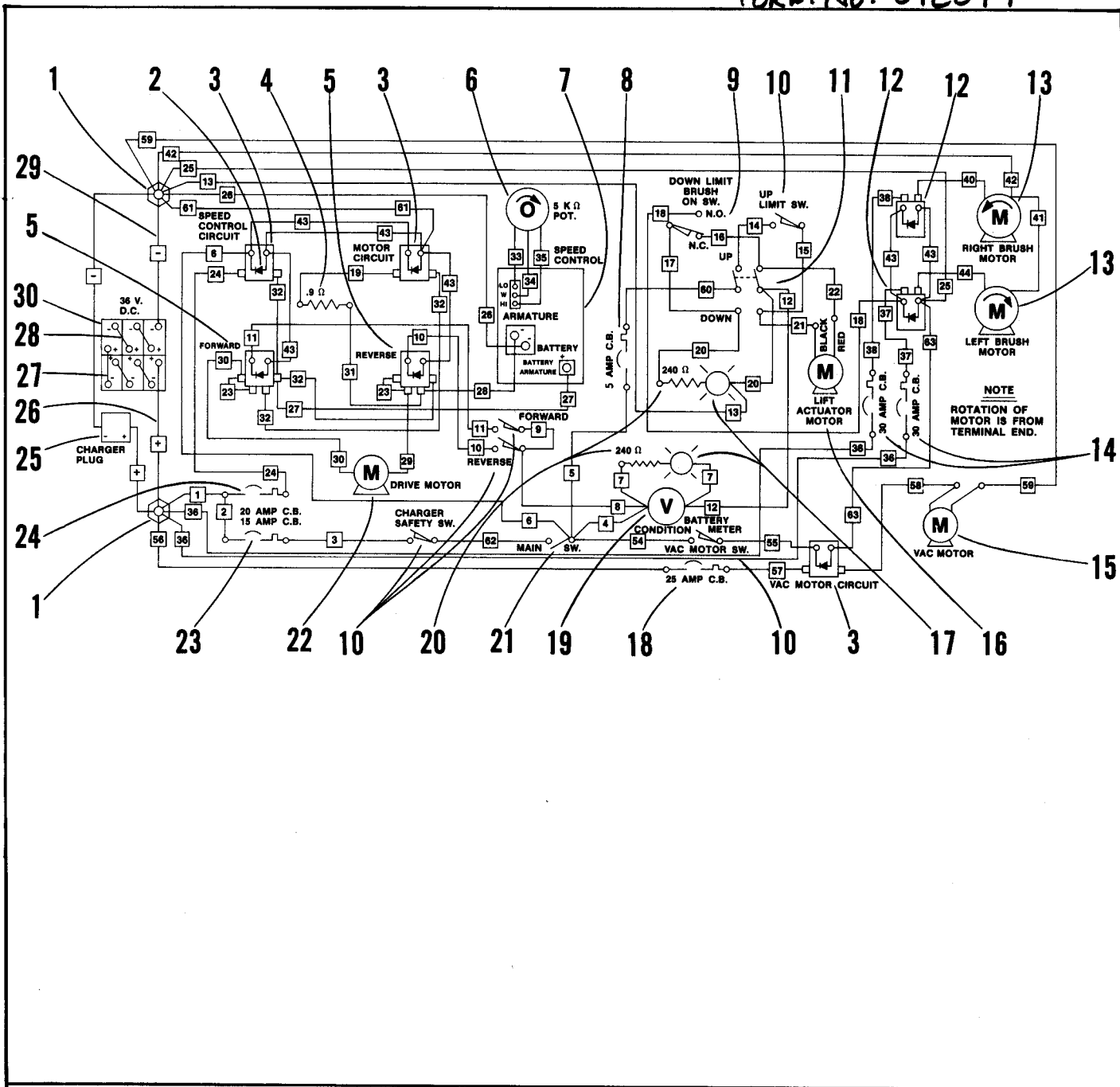
ITEM	PART NO	QTY	DESCRIPTION	ITEM	PART NO	QTY	DESCRIPTION
1	377 786	1	POTENTIOMETER ASSEMBLY C/O	86	387 670	1	KNOB
2	377 787	1	BRACKET	87	200 190	1	WASHER, FIBER
3	321 125	2	RING, RETAINING	88	387 668	1	STUD
4	372 624	4	BEARING, SLEEVE				
5	377 797	1	SPROCKET				
6	377 791	1	PIN				
7		2	SET SCREW #10-24 X 3/16				
8	377 796	1	SPROCKET				
9	454 740	1	POTENTIOMETER 5K				
10		3	SET SCREW #10-24 X 3/16				
11		2	SCREW, HEX HD. 1/4-20 X 1/2 WITH FLANCE HEX NUT				
12		1	SCREW, PAN HD. #10-24 X 5/8				
13	377 784	1	LEVER				
14	388 580	2	TUBE, TWIST GRIP				
15	377 658	1	LEVER, SOLUTION CONTROL				
16	376 066	1	HANDLE, SOLUTION CONTROL				
17	376 486	1	GRIP, HANDLE				
18		8	SCREW, ROUND HD. #6-32 X 1"				
19	388 019	3	SWITCH, SNAP SPST NC				
20	388 576	1	BRACKET, SWITCH				
21	388 562	2	ARM, SWITCH				
22		2	SCREW, TRUSS HD. 1/4-20 X 1 1/2 WITH HEX NUT				
23	365 769	2	SPRING, EXTENSION				
24	388 574	2	COLLAR				
25		1	SCREW, PAN HD. #10-24 X 1 1/4				
26	388 543	2	GRIP, HANDLE				
27		4	SCREW, SET #10-24 X 1/4				
28	488 290	2	BALL JOINT				
29	358 560	1	SPRING, EXTENSION				
30	377 793	1	CHAIN				
31	377 662	1	TUBE, HANDLE				
32		1	NUT, HEX 1/4-20				
33		1	WASHER, SHAKEPROOF				
34		2	WASHER, FLAT 1/4				
35	151 106	2	BUSHING				
36	377 770	1	LEVER				
37	376 254	2	PIN .312 X 2.81				
38		1	SCREW, SOCKET HD. 1/4-20 X 1 1/2				
39	471 193	2	GRIP, HANDLE				
40		1	ACORN NUT #10-24				
41		1	NUT, JAM #10-24				
42	388 599	1	EYE BOLT #10-24				
43	377 002	1	CABLE, SOLUTION CONTROL				
44	377 778	1	ROD				
45		2	PIN, COTTER 1/16 X 1"				
46	232 408	1	COLLAR				
47	377 782	1	LEVER				
48	377 776	1	ACTUATOR, SWITCH				
49		1	SCREW, SOC. HD. 1/4-20 X 1 1/4 & NUT				
50		2	WASHER, FLAT 5/16				
51	377 780	1	ROD, SQUEEGEE				
52		2	SCREW, HEX HD. 1/4-20 X 1/2 W/LKW & FW				
53	376 248	4	BEARING, NYLON				
54	376 468	1	PIN				
55		2	WASHER, FLAT 1/2				
56	376 250	1	LEVER, BRAKE				
57	376 386	1	CABLE ASSEMBLY, BRAKE				
58	321 125	1	RING, RETAINING				
59	477 884	2	CLAMP, CABLE				
60		4	SCREW, FLAT HD. 1/4-20 X 7/8 W/NUT				
61	377 003	1	SWITCH, ROCKER				
62	467 410	2	LIGHT, INDICATOR				
63	448 662	1	METER, BATTERY CONDITION				
64	376 348	1	SWITCH, ROCKER				
65	454 538	1	CIRCUIT BREAKER 15A				
66	395 454	1	CIRCUIT BREAKER 20A				
67	469 788	1	CIRCUIT BREAKER 25A				
68	454 423	2	CIRCUIT BREAKER 30A				
69	387 328	1	CIRCUIT BREAKER 5A				
70	377 710	1	CHARGER PLUG ASSEMBLY C/O				
71	389 270	1	BRACKET, SWITCH				
72	388 019	1	SWITCH, SNAP SPST NC				
73	371 408	1	CHARGER PLUG				
74	373 040	2	BUSHING				
75	377 714	1	ELECTRICAL PANEL ASSEMBLY C/O				
76	376 318	1	PANEL, ELECTRICAL				
77	388 521	1	D.C. CONTROLLER TSB 472, G-4				
78	395 452	3	CONTACTOR, 36V				
79	389 265	7	RECTIFIER ASSEMBLY				
80	388 534	2	SOLENOID, 36V D.C.				
81	467 470	1	RESISTOR 9 OHMS				
82	344 621	1	GROMMET				
83	469 858	2	STANDOFF, INSULATED				
84	025 363	1	DECAL, "CAUTION"				
85	395 450	2	CONTACTOR 36V				





13

ITEM	PART NO	QTY	DESCRIPTION	ITEM	PART NO	QTY	DESCRIPTION
1	377 344	1	COVER	40	203 408	1	SHELL
2		12	SCREW, PAN HD. #10-24 X 1/2 HPS	41	203 432	1	WASHER
3	380 922	1	FILTER	42	203 440	1	NUT
4	376 396	3	FOAM ACCOUSTICAL				
5		4	SCREW, HEX HD. 1/4-20 X 1/2				
6		4	WHIZ NUT 1/4-20				
7	377 668	1	HOSE, VAC				
8	329 145	2	CLAMP, HOSE				
9	377 342	1	HOUSING				
10	200 754	1	GASKET				
11	385 437	1	GASKET 4.8 I.D. X 6.2 O.D.				
12	384 898	1	FILTER				
13	202 305	1	MOTOR, VAC <b>TSB 357 &amp; 385</b>				
14	209 325	1	GASKET <b>G-9, G-8</b>				
15	377 346	1	FOAM, ACCOUSTICAL				
16	208 110	1	HOUSING				
17	303 591	1	FAN				
18	372 574	2	SCREW				
19	372 570	5	SCREW				
20	207 285	2	CLAMP				
21	202 302	2	CLIP				
22	207 234	1	BRACKET, COMMUTATOR END				
23	372 572	2	BRUSH, MOTOR				
24	202 843	1	SPRING, LOAD				
25	249 735	1	DISC				
26	203 587	1	BEARING				
27	372 590	1	ARMATURE				
28	208 280	1	FIELD				
29	228 051	1	BEARING				
30	203 461	1	WASHER				
31	372 578	1	BRACKET, FAN END				
32	372 580	1	VALVE, CHECK				
33	372 582	1	SHELL, AIR SEAL				
34	372 584	1	SPACER				
35	372 586	1	FAN				
36	372 588	1	FAN, ROTATING				
37	203 516	1	SPACER				
38	203 394	1	FAN, STATIONARY				
39	372 588	1	FAN, ROTATING				



### ELECTRICAL SCHEMATIC

ITEM	PART NO	QTY	DESCRIPTION	ITEM	PART NO	QTY	DESCRIPTION
1	469 858	2	STANDOFF, INSULATED	22	388 510	1	DRIVE MOTOR ASSEMBLY
2	389 265	7	RECTIFIER ASSEMBLY		388 515	1	MOTOR ONLY
3	395 452	3	CONTACTOR 36 VOLT		386 263	1	CARBON BRUSH SET
4	467 470	1	RESISTOR .9 OHMS	23	454 538	1	CIRCUIT BREAKER 15 AMP
5	388 534	2	SOLENOID 36 VOLT D.C.	24	395 454	1	CIRCUIT BREAKER 20 AMP
6	454 740	1	POTENTIOMETER 5K	25	377 710	1	CHARGER PLUG ASSEMBLY
7	388 521	1	CONTROLLER, SPEED D.C.		371 408	1	CHARGER PLUG - ONLY
8	387 328	1	CIRCUIT BREAKER 5 AMP	26	389 241	1	BATTERY CABLE - POSITIVE
9	388 532	1	SWITCH, SNAP SPDT	27	389 235	1	BATTERY CABLE
10	388 019	5	SWITCH, SNAP SP ST	28	389 232	4	BATTERY CABLE
11	377 003	1	SWITCH, ROCKER (VP-DOWN)	29	389 244	1	BATTERY CABLE - NEGATIVE
12	395 450	2	CONTACTOR 36 VOLT	30	376 014	6	BATTERY 6V D.C. (OPTIONAL)
13	377 010	2	MOTOR 36V D.C. 1 HP				
14	454 423	2	CIRCUIT BREAKER 30A				
15	202 305	1	MOTOR, VACUUM 24 VOLT				
16	388 518	1	MOTOR, LIFT ACTUATOR				
17	467 410	2	LIGHT, INDICATOR				
18	469 788	1	CIRCUIT BREAKER 25A				
19	448 662	1	METER, BATTERY CONDITION				
20	395 404	2	RESISTOR ASSEMBLY 240 OHMS				
21	376 348	1	SWITCH, MAIN-ROCKER				