

CONVERTAMATIC

MODEL TRAC 380 BHD

SERIAL NO. 011899

FORM NO. 042100

APRIL 1984

PARTS LIST



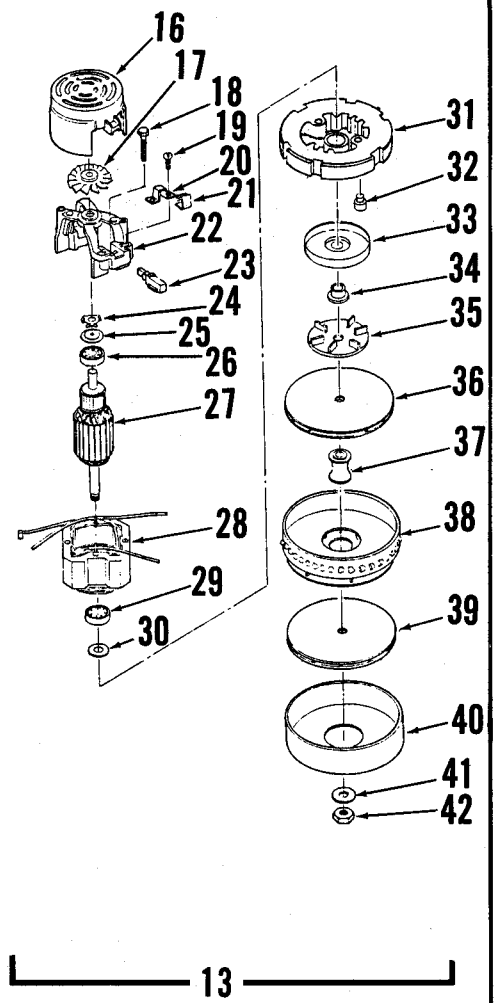
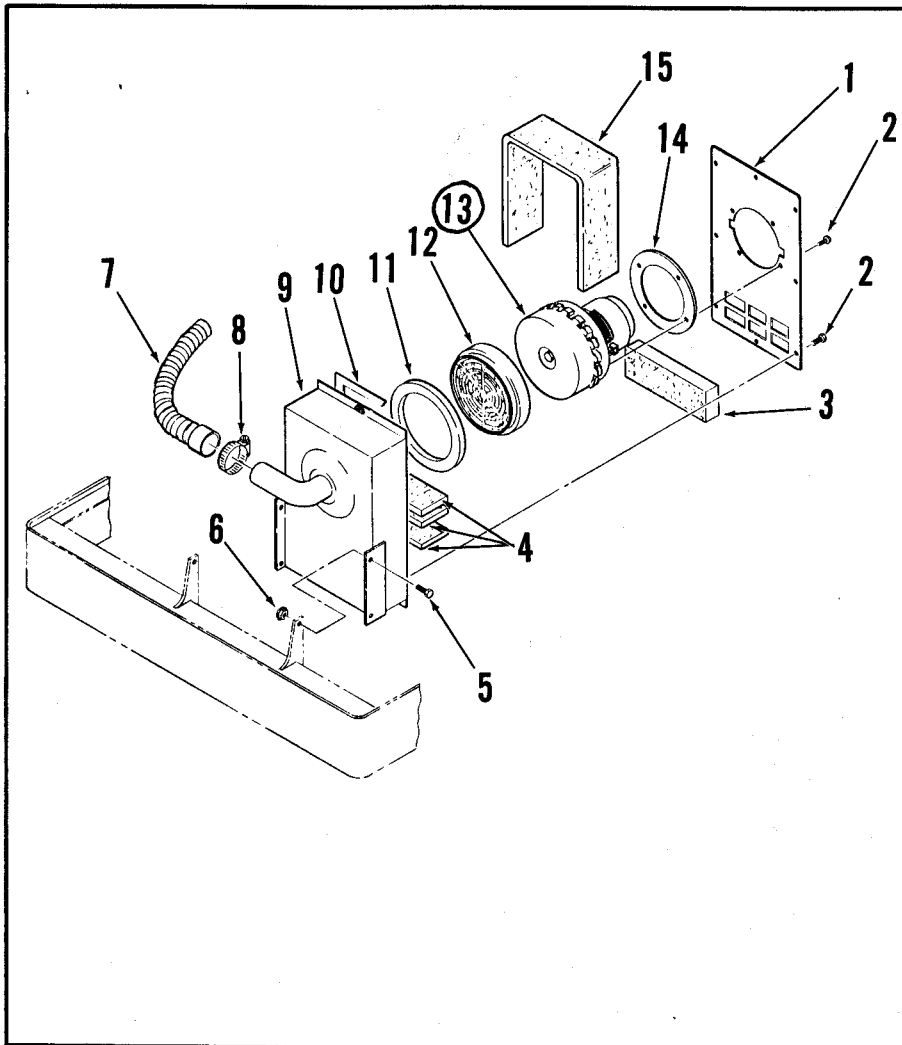
**ADVANCE
MACHINE COMPANY**

INTERNATIONAL HEADQUARTERS, Spring Park, Minnesota 55384-0275
EUROPE, 4 Rue Jean Engling, L-1466 Luxembourg
CANADA, 1295 Crestlawn Drive, Mississauga, Ontario L4W 1A9

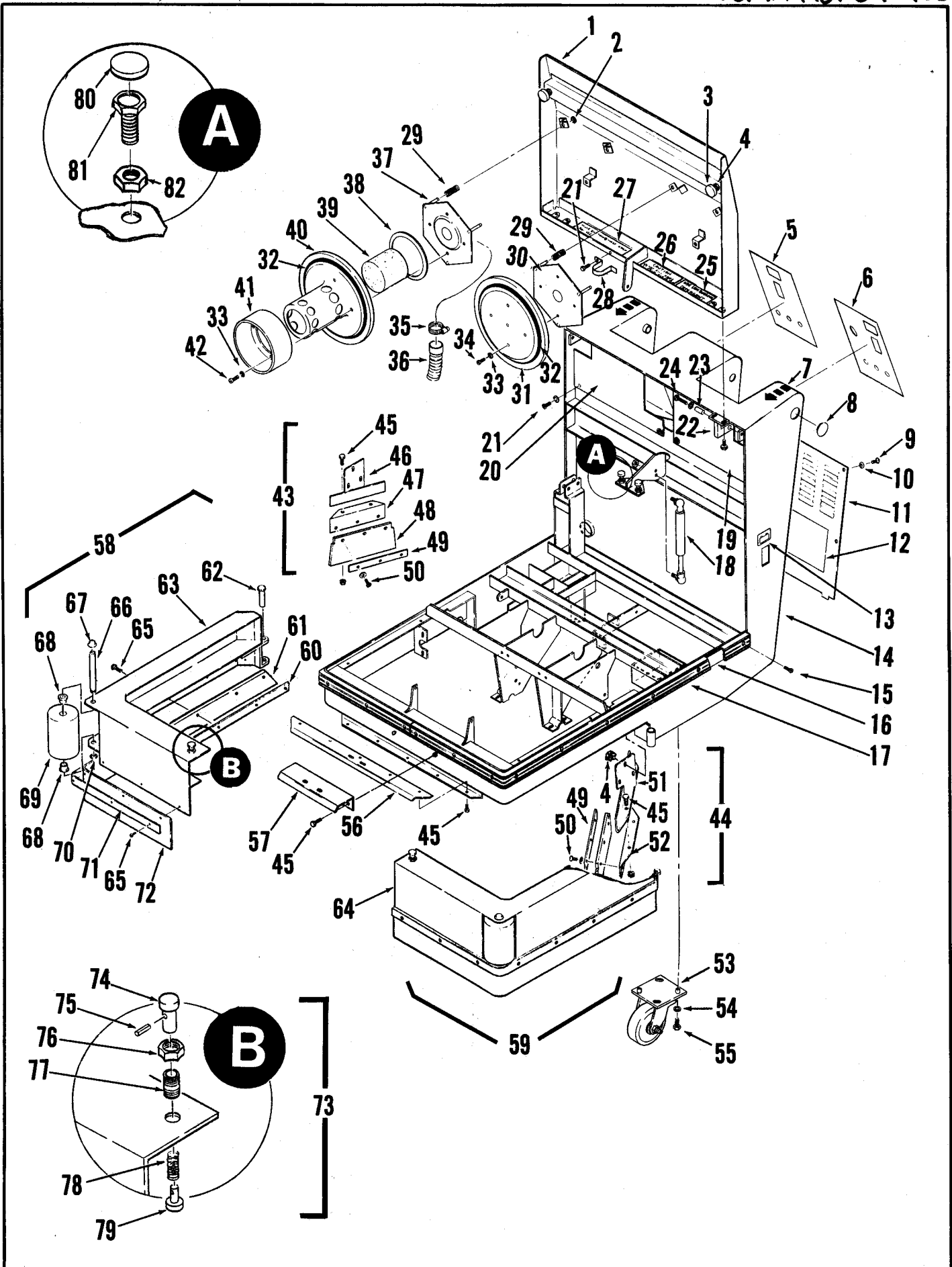


INDEX FOR FORM NUMBER 042100

| <u>Description</u> | <u>Location</u> | <u>Page</u> |
|-----------------------------|-----------------|-------------|
| Brush Drive | C10 | 8 |
| Casters, Skirts & Hood | C4 | 2 |
| Controls & Electrical Panel | D1 | 12 |
| Recovery Tank Drain Valve | C7 | 5 |
| Squeegee | C12 | 10 |
| Tanks & Solution Valve | C6 | 4 |
| Vacuum Motor | C3 | 1 |
| Wheel Drive & Brake | C8 | 6 |
| Wiring Diagram | D3 | 14 |

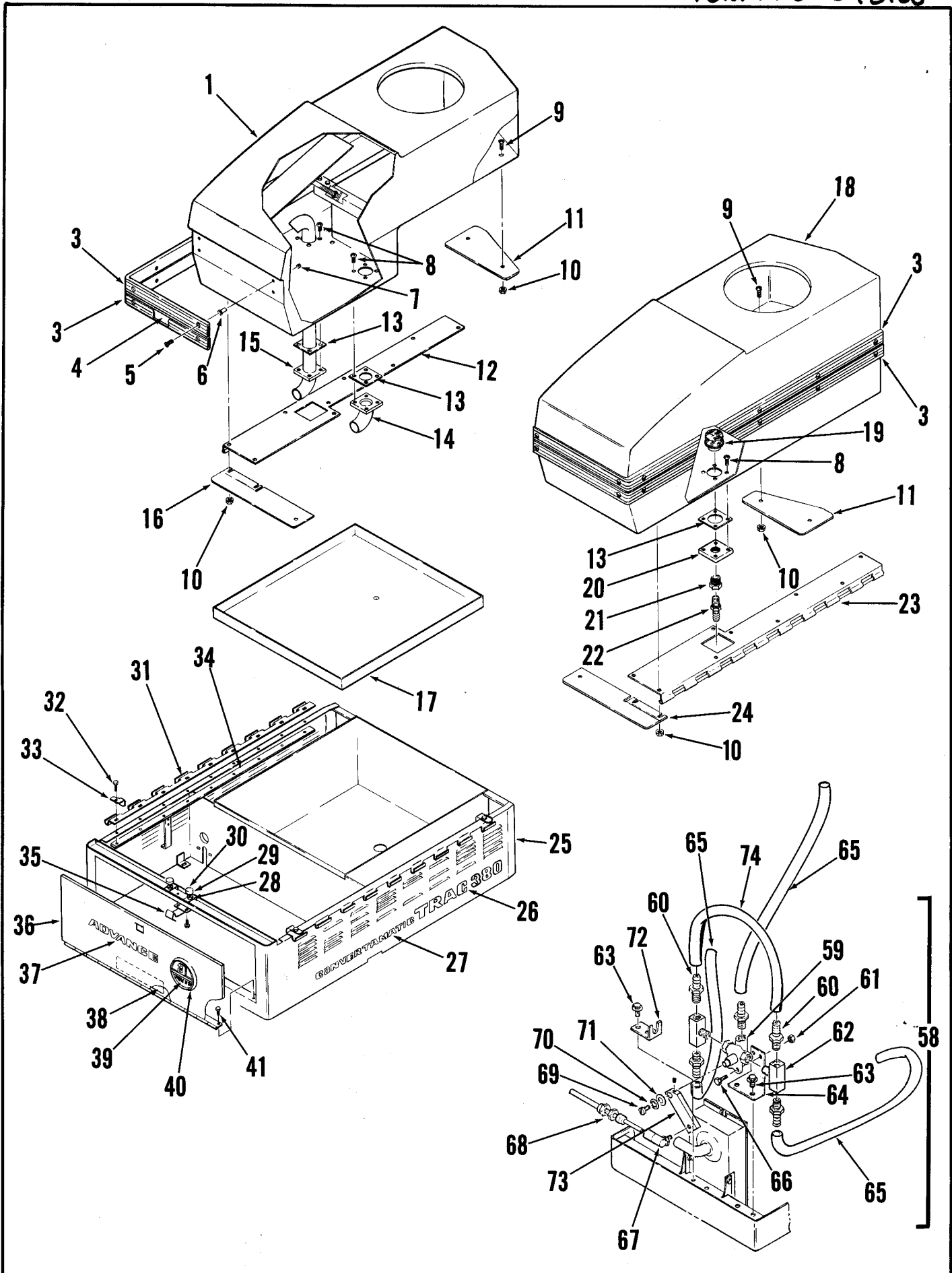


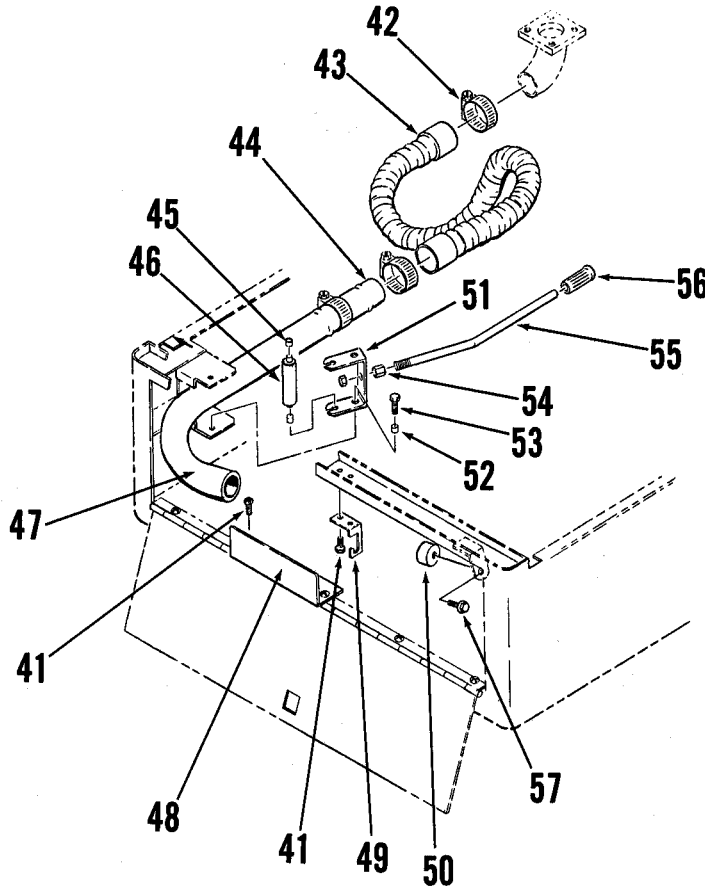
| ITEM | PART NO | QTY | DESCRIPTION | ITEM | PART NO | QTY | DESCRIPTION |
|------|---------|-----|---------------------------------|------|---------|-----|-------------|
| 1 | 377 344 | 1 | COVER | 40 | 203 408 | 1 | SHELL |
| 2 | | 12 | SCREW, PAN HD. #10-24 X 1/2 HPS | 41 | 203 432 | 1 | WASHER |
| 3 | 380 922 | 1 | FILTER | 42 | 203 440 | 1 | NUT |
| 4 | 376 396 | 3 | FOAM ACCOUSTICAL | | | | |
| 5 | | 4 | SCREW, HEX HD. 1/4-20 X 1/2 | | | | |
| 6 | | 4 | WHIZ NUT 1/4-20 | | | | |
| 7 | 377 668 | 1 | HOSE, VAC | | | | |
| 8 | 329 145 | 2 | CLAMP, HOSE | | | | |
| 9 | 377 342 | 1 | HOUSING | | | | |
| 10 | 200 754 | 1 | GASKET | | | | |
| 11 | 385 437 | 1 | GASKET 4.8 I.D. X 6.2 O.D. | | | | |
| 12 | 384 898 | 1 | FILTER | | | | |
| 13 | 202 305 | 1 | MOTOR, VAC | | | | |
| 14 | 209 325 | 1 | GASKET | | | | |
| 15 | 377 346 | 1 | FOAM, ACCOUSTICAL | | | | |
| 16 | 208 110 | 1 | HOUSING | | | | |
| 17 | 303 591 | 1 | FAN | | | | |
| 18 | 372 574 | 2 | SCREW | | | | |
| 19 | 372 570 | 5 | SCREW | | | | |
| 20 | 207 285 | 2 | CLAMP | | | | |
| 21 | 202 302 | 2 | CLIP | | | | |
| 22 | 207 234 | 1 | BRACKET, COMMUTATOR END | | | | |
| 23 | 372 572 | 2 | BRUSH, MOTOR | | | | |
| 24 | 202 843 | 1 | SPRING, LOAD | | | | |
| 25 | 249 735 | 1 | DISC | | | | |
| 26 | 203 587 | 1 | BEARING | | | | |
| 27 | 372 590 | 1 | ARMATURE | | | | |
| 28 | 208 280 | 1 | FIELD | | | | |
| 29 | 228 051 | 1 | BEARING | | | | |
| 30 | 203 461 | 1 | WASHER | | | | |
| 31 | 372 578 | 1 | BRACKET, FAN END | | | | |
| 32 | 372 580 | 1 | VALVE, CHECK | | | | |
| 33 | 372 582 | 1 | SHELL, AIR SEAL | | | | |
| 34 | 372 584 | 1 | SPACER | | | | |
| 35 | 372 586 | 1 | FAN | | | | |
| 36 | 372 588 | 1 | FAN, ROTATING | | | | |
| 37 | 203 516 | 1 | SPACER | | | | |
| 38 | 203 394 | 1 | FAN, STATIONARY | | | | |
| 39 | 372 588 | 1 | FAN, ROTATING | | | | |



CHASSIS, HOOD & RELATED PARTS

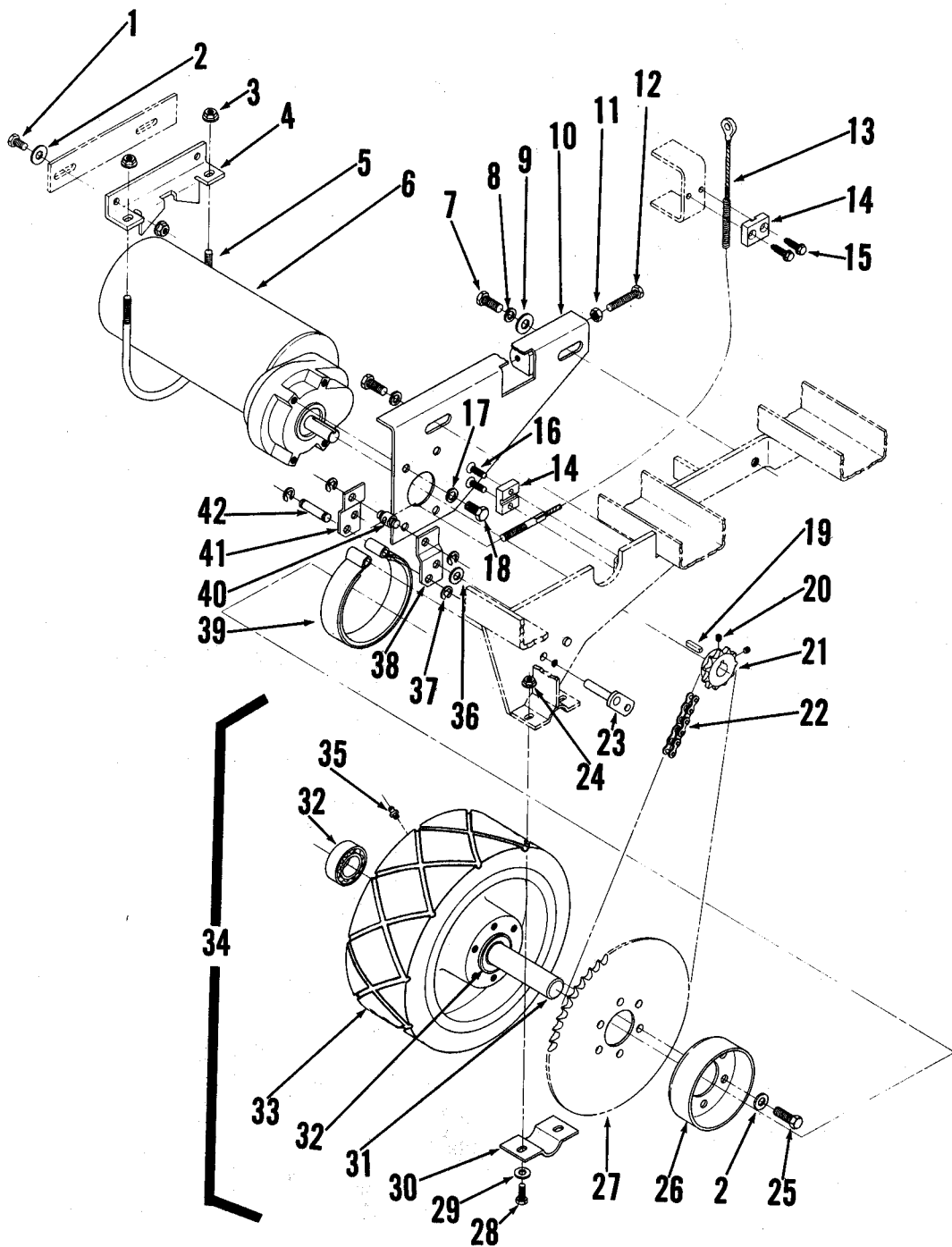
| ITEM | PART NO | QTY | DESCRIPTION |
|------|---------|-----|---|
| 1 | 377 624 | 1 | HOOD |
| 2 | 321 125 | 6 | RING, RETAINING |
| 3 | 386 312 | 2 | STOP, HOOD .812 IDA |
| 4 | | 2 | NUT, HEX 1/4-20 |
| 5 | 016 944 | 1 | DECAL, CONTROL PANEL |
| 6 | 016 942 | 1 | DECAL, CONTROL PANEL |
| 7 | 025 286 | 2 | DECAL, "ARROW" |
| 8 | 388 608 | 2 | BUTTON, PLUG |
| 9 | | 5 | SCREW, OVAL HD. #10-24 X 3/8 HP-5 |
| 10 | 449 340 | 5 | WASHER, FINISHING |
| 11 | 377 621 | 1 | PANEL, REAR |
| 12 | 016 972 | 1 | DECAL, WIRING |
| 13 | 016 324 | 1 | DECAL, CHARGER PLUG |
| 14 | 377 080 | 1 | CHASSIS |
| 15 | | 18 | SCREW, PAN HD. #10-24 X 3/4 |
| 16 | 377 640 | 2 | STRAP, BUMPER |
| 17 | 377 644 | 2 | BUMPER, BLACK |
| 18 | 385 238 | 1 | CYLINDER, HOOD |
| 19 | 377 628 | 1 | COVER, LEFT INSIDE |
| 20 | 377 626 | 1 | COVER, RIGHT INSIDE |
| 21 | | 10 | SCREW, PAN HD. #10-24 X 3/8 HP-5 W/FW |
| 22 | 376 052 | 2 | HINGE, HOOD |
| 23 | 471 220 | 2 | BUSHING .25 X .37 X 1.0 |
| 24 | | 2 | SCREW, HEX HD. 1/4-20 X 1 1/2 |
| 25 | 016 185 | 1 | DECAL "USE LOW SUDZING DETERGENT" |
| 26 | 016 057 | 1 | DECAL "CAUTION DO NOT FILL ABOVE 3 INCHES" |
| 27 | 025 339 | 1 | DECAL "FLUSH OUT TANK & HOSES AFTER EA. USE" |
| 28 | 376 428 | 1 | CLAMP, HOSE |
| 29 | 379 170 | 6 | SPRING, COMPRESSION .60 X 2.00 |
| 30 | 379 192 | 1 | MOUNT, CENTERING |
| 31 | 379 186 | 1 | COVER |
| 32 | 385 245 | 2 | GASKET 1/4 X 1/2 X .39.70 |
| 33 | | 8 | WASHER, SAE #10 BRASS |
| 34 | | 4 | SCREW, PHIL. HD. #10-24 X 3/8 BR. |
| 35 | 329 145 | 1 | CLAMP, HOSE |
| 36 | 377 668 | 1 | HOSE, VACUUM 1.5 X 105" |
| 37 | 379 197 | 1 | MOUNT, CENTERING |
| 38 | 385 247 | 1 | GASKET |
| 39 | 385 198 | 1 | FLOAT, FOAM CYLINDER |
| 40 | 385 237 | 1 | COVER |
| 41 | 379 206 | 1 | DEFLECTOR |
| 42 | | 4 | SCREW, PHIL HD. #10-24 X 5/8 BR. |
| 43 | 377 506 | 1 | BLADE ASSEMBLY - RIGHT |
| 44 | 377 508 | 1 | BLADE ASSEMBLY - LEFT |
| 45 | | 11 | SCREW, HEX HD. 1/4-20 X 1/2 4 W/WHIZ NUT |
| 46 | 377 534 | 1 | BRACKET, MOUNTING |
| 47 | 377 544 | 1 | BRACKET, ANGLE |
| 48 | 377 550 | 2 | BLADE, RUBBER |
| 49 | 377 548 | 2 | STRAP, BLADE |
| 50 | | 8 | SCREW, PHIL PAN HD. #10-24 X 5/8 8 W/SAE WASHER |
| 51 | 377 536 | 1 | BRACKET, MOUNTING |
| 52 | 377 542 | 1 | BRACKET, ANGLE |
| 53 | 470 582 | 2 | CASTER, SWIVEL |
| 54 | | 8 | WASHER, LOCK 1/4 |
| 55 | | 8 | SCREW, HEX HD. 1/4-20 X 3/4 |
| 56 | 389 139 | 1 | PLATE, SKIRT LOCKING |
| 57 | 376 578 | 1 | BRACKET |
| 58 | 377 584 | 1 | SKIRT ASSEMBLY - RIGHT |
| 59 | 377 586 | 1 | SKIRT ASSEMBLY - LEFT |
| 60 | 377 524 | 2 | NUT PLATE |
| 61 | 377 522 | 2 | BLADE |
| 62 | 360 147 | 2 | PIN, HINGE |
| 63 | 377 588 | 1 | SKIRT - RIGHT |
| 64 | 377 590 | 1 | SKIRT - LEFT |
| 65 | 372 929 | 20 | SCREW, PAN HD. #10-24 BLK |
| 66 | 376 542 | 2 | ROD 1/2 |
| 67 | 376 544 | 2 | CAP, ROD 1/2 |
| 68 | 111 503 | | BEARING, SLEEVE |
| 69 | 376 540 | 2 | ROLLER |
| 70 | 468 834 | 2 | RING, RETAINING |
| 71 | 377 576 | 2 | STRAP |
| 72 | 377 578 | 2 | BLADE |
| 73 | 365 548 | 2 | LOCK ASSEMBLY |
| 74 | 201 405 | 2 | KNOB |
| 75 | 201 472 | 2 | PIN |
| 76 | 201 413 | 2 | NUT, HEX |
| 77 | 201 383 | 2 | SOCKET |
| 78 | 201 448 | 2 | SPRING, COMPRESSION |
| 79 | 201 391 | 2 | PIN |
| 80 | 401 788 | 2 | CAP, SNAP-ON 3/4 HEX |
| 81 | 401 783 | 2 | LEVELER, TANK |
| 82 | | 2 | NUT, HEX 5/16-18 |





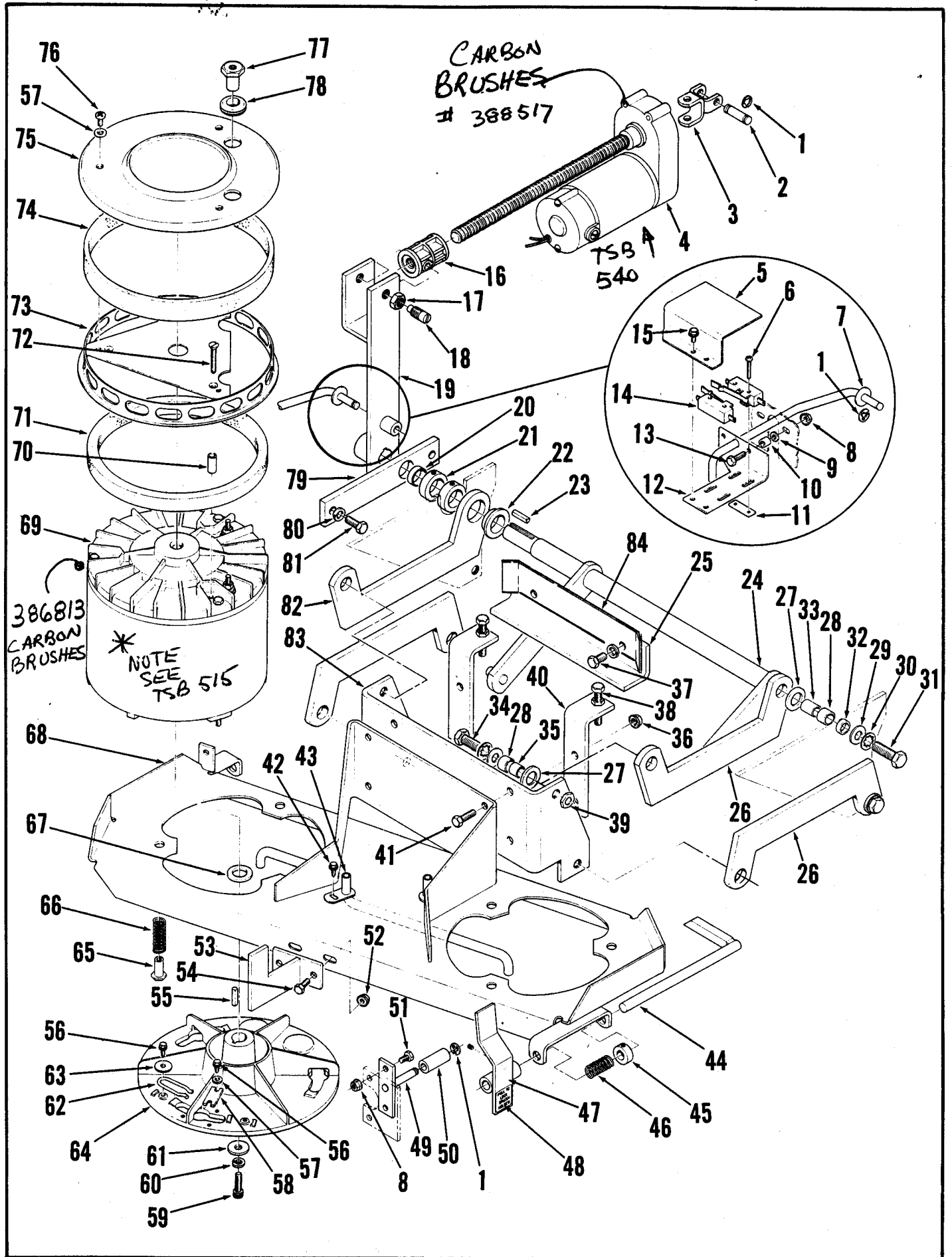
BATTERY HOUSING & TANK ASSEMBLIES

| ITEM | PART NO | QTY | DESCRIPTION | ITEM | PART NO | QTY | DESCRIPTION |
|------|---------|-----|---|------|---------|-----|--|
| 1 | 377 014 | 1 | TANK, RECOVERY | 37 | 016 973 | 1 | DECAL "ADVANCE" |
| 3 | 377 280 | 4 | BUMPER, BLACK | 38 | 025 363 | 1 | DECAL "CAUTION" |
| 4 | 377 276 | 4 | STRAP | 39 | 016 968 | 1 | DECAL, "TRAC 380" |
| 5 | 376 614 | 28 | SCREW S.S. #10-32 X 1.00 | 40 | 016 398 | 1 | EMBLEM, ADVANCE |
| 6 | 376 608 | 28 | WELL-NUT | 41 | | 7 | SCREW, HEX WASHER 1/4-20 X 1/2 HP-5 |
| 7 | 376 616 | 28 | CAP-RUBBER | 42 | 329 145 | 3 | CLAMP, HOSE |
| 8 | | 12 | SCREW, PHIL. RD. HD. BRASS 1/4-20 X 1/2 | 43 | 372 222 | 1 | HOSE, 1 1/2 I.D. X 24" |
| 9 | | 24 | SCREW, PHIL. RD. HD. BRASS 1/4-20 X 5/8 | 44 | 377 670 | 1 | COUPLER, EXTENSION |
| 10 | | 24 | WHIZ NUT-FLANGE 1/4-20 | 45 | 372 624 | 2 | BEARING |
| 11 | 377 308 | 2 | PLATE, REAR | 46 | 372 650 | 1 | ROLLER, DRAIN VALVE |
| 12 | 377 284 | 1 | HINGE | 47 | 380 712 | 1 | TUBE, DRAIN |
| 13 | 380 763 | 3 | GASKET | 48 | 377 630 | 1 | ANGLE, DRAIN HOSE |
| 14 | 376 068 | 1 | TUBE WELDMENT | 49 | 372 662 | 1 | LATCH, VALVE LEVER |
| 15 | 377 295 | 1 | TUBE WELDMENT | 50 | 377 634 | 1 | PLUG |
| 16 | 377 309 | 1 | PLATE, FRONT | 51 | 372 652 | 1 | PIVOT, LEVER |
| 17 | 389 110 | 1 | TRAY, BATTERY | 52 | 368 989 | 2 | BUSHING .25 X .37 X .30 |
| 18 | 377 011 | 1 | TANK, SOLUTION | 53 | | 2 | SCREW, HEX HD. 1/4-20 X 1/2 W/FW |
| 19 | 379 125 | 1 | STRAINER | 54 | 372 958 | 1 | NUT, HEX 5/16-18 |
| 20 | 379 202 | 1 | PLATE | 55 | 377 264 | 1 | HANDLE, VALVE LEVER |
| 21 | 751 686 | 1 | BUSHING 3/4 X 3/8 BRASS | 56 | 477 193 | 1 | GRIP, HANDLE |
| 22 | 249 926 | 1 | BARB 3/8 X 3/8 NYLON | 57 | | 1 | SCREW, HEX HD. 1/4-20 X 1/2 |
| 23 | 377 282 | 1 | HINGE | 58 | 377 674 | 1 | SOLUTION VALVE ASSEMBLY |
| 24 | 377 311 | 1 | PLATE, FRONT | 59 | 368 881 | 1 | VALVE, SOLUTION |
| 25 | 377 117 | 1 | BATTERY CASE | 60 | 155 640 | 5 | BARB |
| 26 | 016 970 | 2 | DECAL "TRAC 320" | 61 | | 2 | NUT, HEX 1/4-20 |
| 27 | 016 971 | 2 | DECAL "TRAC 380" | 62 | 372 506 | 2 | TEE |
| 28 | 016 952 | 2 | DECAL "CONVERTAMATIC" | 63 | | 4 | SCREW, HEX WASHER HD. 1/4-20 X 1/2 HP5 |
| 29 | 401 783 | 2 | NUT, HEX 5/16-18 | 64 | 377 676 | 1 | BRACKET |
| 30 | 401 788 | 2 | LEVELER, TANK | 65 | 377 664 | 1 | TUBE .375 X 20" |
| 31 | 377 288 | 2 | CAP, SNAP-ON | 66 | | 2 | SCREW, HEX HD. 1/4-20 X 3/4 |
| 32 | | 18 | HINGE | 67 | 488 290 | 1 | BALL JOINT |
| 33 | 381 053 | 4 | SCREW, HEX HD. #10-24 X 1/2 | 68 | 377 002 | 1 | CABLE, SOLUTION CONTROL |
| 34 | 377 290 | 2 | CLIP, HINGE | 69 | | 1 | SCREW, PAN HD. #8-32 X 3/8 |
| 35 | 372 700 | 1 | NUT PLATE - HINGE | 70 | | 1 | WASHER, SHAKEPROOF #8 |
| 36 | 377 139 | 1 | LATCH, DOOR | 71 | | 1 | WASHER, FLAT #8 |
| | | | DOOR, BATTERY CASE | 72 | 377 262 | 1 | BRACKET |
| | | | | 73 | 377 672 | 1 | ARM |
| | | | | 74 | 379 108 | 1 | TUBE PVC 3/8 X 7 1/2 |



TRACTION DRIVE & BRAKE ASSEMBLY

| Item | Part No. | Qty | Description |
|------|----------|-----|---|
| 1 | | 2 | Screw, Hex Head 5/16-18 x 3/4 |
| 2 | | 8 | Washer, 5/16 Flat |
| 3 | | 4 | Nut, 5/16-18 Whiz |
| 4 | 388682 | 1 | Angle, Motor Mount |
| 5 | 388686 | 1 | Clamp, Bracket |
| 6 | 388510 | 1 | Drive Assembly 3/4 HP TSB 424 - G6 |
| | 388515 | 1 | Drive Motor, 36 V, 3/4 HP |
| | 386263 | 1 | Carbon Brush Set TSB 506 - G2 |
| 7 | | 2 | Screw, Hex Head 1/2-13 x 7/8 |
| 8 | | 2 | Washer, 1/2 Lock |
| 9 | | 2 | Washer, 1/2 Flat |
| 10 | 388692 | 1 | Bracket, Motor Mount |
| 11 | | 1 | Nut, 5/16-18 Hex |
| 12 | | 1 | Screw, Hex Head 5/16-18 x 1-3/4 |
| 13 | 376386 | 1 | Brake Cable Assembly |
| 14 | 477884 | 2 | Clamp, Cable |
| 15 | | 2 | Screw, Hex Washer Head 1/4-20 x 1 HP5 |
| 16 | | 2 | Screw, Flat Head 1/4-20 x 1 |
| 17 | | 4 | Washer 3/8 Lock |
| 18 | | 4 | Screw, Hex Head 3/8-16 x 3/4 |
| 19 | 740168 | 1 | Key, Square 3/16 x 1 |
| 20 | | 2 | Screw, Set 1/4-20 x 1/4 |
| 21 | 388688 | 1 | Sprocket TSB 424 - G6 |
| 22 | 468884 | 1 | Chain #40 x 65 TSB 424 - G6 |
| 23 | 388666 | 1 | Pin Weldment |
| 24 | | 4 | Nut, 1/4-20 Whiz |
| 25 | | 6 | Screw, Hex Head 5/16-18 x 1-1/4 |
| 26 | 388702 | 1 | Drum, Brake |
| 27 | 388700 | 1 | Sprocket |
| 28 | | 4 | Screw, Hex Head 1/4-20 x 1 |
| 29 | | 4 | Washer, 1/4 Flat |
| 30 | 388937 | 2 | Clamp |
| 31 | 388698 | 1 | Axle |
| 32 | 378380 | 2 | Bearing, Ball |
| 33 | 376628 | 1 | Wheel 10.00 x 4.00 |
| 34 | 376626 | 1 | Wheel Assembly |
| 35 | 344362 | 1 | Fitting, WBE 1/4-28 |
| 36 | | A/R | Washer, 3/8 Flat |
| 37 | | 4 | Ring, Retaining 3/8 |
| 38 | 388676 | 1 | Brake Lever, Left |
| 39 | 402745 | 1 | Brake Strap |
| 40 | 388674 | 1 | Pivot, Brake Cable |
| 41 | 388678 | 1 | Brake Lever, Right |
| 42 | 388672 | 2 | Pin, Brake Strap |

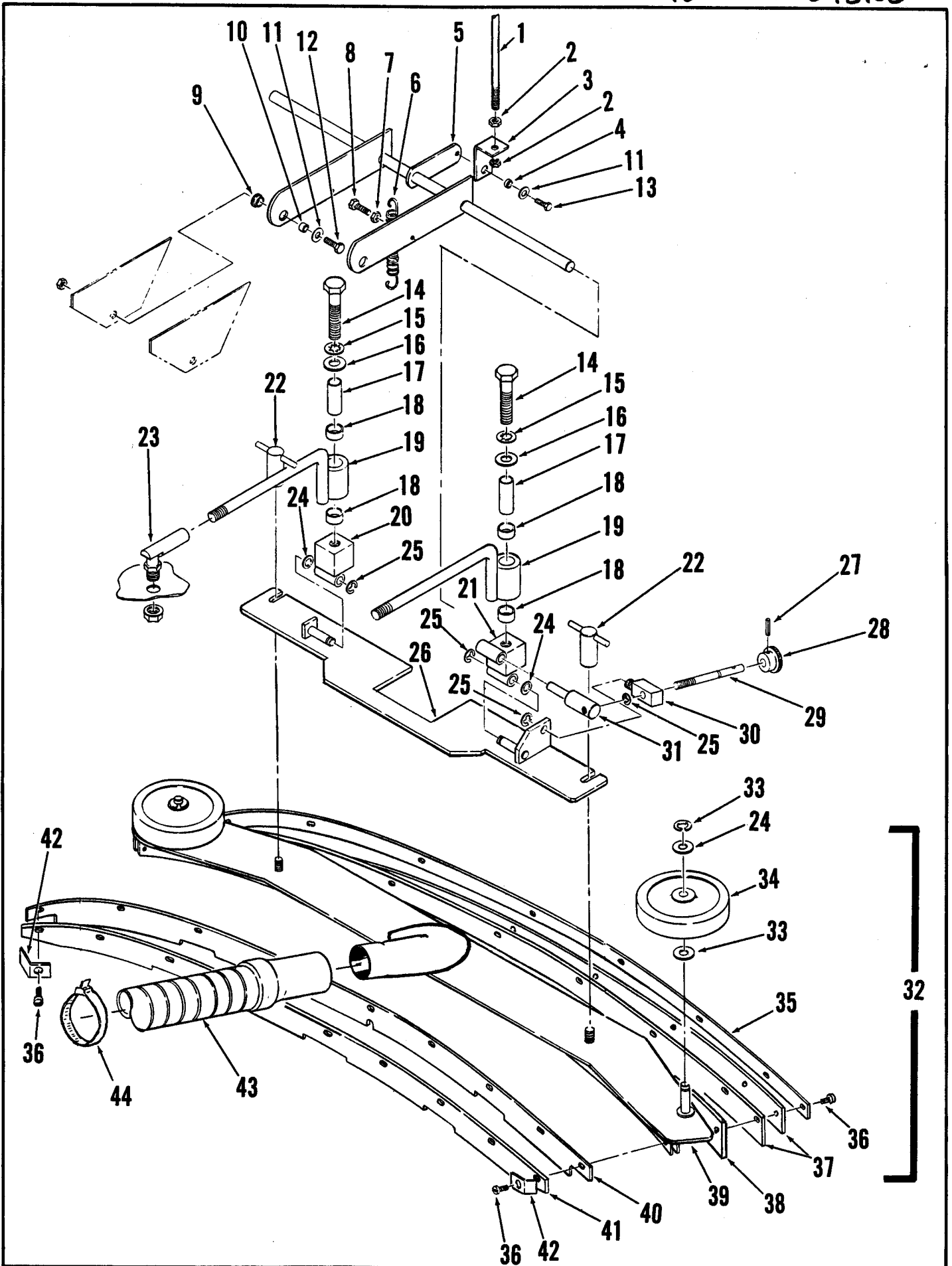


BRUSH DRIVE UNIT ASSEMBLY

| Item | Part No. | Qty | Description | Item | Part No. | Qty | Description |
|------|----------|-----|----------------------------------|------|----------|-----|-----------------------------|
| 1 | 321427 | 7 | Ring, Retainer 3/8 | 49 | 377236 | 2 | Bracket Weldment |
| 2 | 388672 | 2 | Pin | 50 | 249952 | 2 | Bushing |
| 3 | 377170 | 1 | Yoke Weldment | 51 | | 4 | Screw, 1/4-20 x 5/8 |
| 4 | 388518 | 1 | Motor, Gear TSB 540, F-11 | 52 | | 2 | Nut, Whiz 5/16-18 |
| * | 388517 | 1 | Carbon Brush Kit (for 388518) | 53 | 377248 | 1 | Guide Weldment |
| * | 470431 | 1 | Carbon Brush Kit (for 391627) | 54 | | 2 | Screw, 5/16-18 x 3/4 |
| 5 | 377648 | 1 | Shield, Switch | 55 | 370010 | 2 | Key, Square |
| 6 | | 4 | Screw, #6-32 x 1-1/8 | 56 | | 6 | Screw, #10-24 x 3/8 HP-5 |
| 7 | 377636 | 1 | Lever, Switch | 57 | | 4 | Washer, # 10 Flat |
| 8 | | 6 | Nut, Whiz 1/4 - 20 | 58 | 366455 | 2 | Plate, Stop |
| 9 | | 2 | Washer, 1/4 Flat | 59 | 180196 | 2 | Screw, 5/16-24 x 1 |
| 10 | 321532 | 2 | Bushing | 60 | | 2 | Washer, 5/16 Lock |
| 11 | 385747 | 2 | Nut Plate | 61 | 180200 | 2 | Washer |
| 12 | 377646 | 1 | Bracket, Switch | 62 | 366463 | 2 | Clip, Spring |
| 13 | | 2 | Screw, 1/4-20 x 7/8 | 63 | 151114 | 2 | Washer |
| 14 | 388019 | 2 | Switch, Snap SPST | 64 | 364042 | 2 | Holder, Brush |
| 15 | | 2 | Screw, #10-24 x 3/8 | 65 | 377244 | 6 | Nut, Spacer |
| 16 | 388520 | 1 | Nut, Gear Motor | 66 | 377253 | 6 | Spring, Compression |
| 17 | | 2 | Nut, 1/2-13 | 67 | 367192 | 2 | Washer |
| 18 | 377174 | 2 | Screw | 68 | 377150 | 1 | Base, Motor |
| 19 | 377162 | 1 | Lever Weldment | 69 | 377010 | 2 | Motor, 36 VDC TSB 515, 5-9 |
| 20 | 250634 | 1 | Bearing, Sleeve | * | 386813 | 1 | Carbon Brushes (for 377010) |
| 21 | 444820 | 2 | Collar | 70 | 207489 | 6 | Bushing |
| 22 | 377196 | 1 | Bearing, Flanged | 71 | 206058 | 2 | Gasket, Motor |
| 23 | 740168 | 1 | Key | 72 | | 6 | Screw, #10-24 x 1 |
| 24 | 377178 | 1 | Lever Weldment | 73 | 180008 | 2 | Bracket Weldment |
| 25 | 377650 | 1 | Plate, Stop | 74 | 180032 | 2 | Filter |
| 26 | 377194 | 3 | Arm Weldment | 75 | 386691 | 2 | Cover, Motor |
| 27 | 367192 | 7 | Washer | 76 | | 6 | Screw, #10-24 x 1/2 |
| 28 | 367168 | 7 | Bearing, Sleeve | 77 | 386988 | 4 | Standoff |
| 29 | 367214 | 7 | Washer | 78 | 760212 | 4 | Grommet |
| 30 | | 7 | Washer, Shakeproof 1/2 | 79 | 377176 | 1 | Bar |
| 31 | | 1 | Screw, 1/2-13 x 1-1/2 | 80 | | 4 | Washer, 3/8 Lock |
| 32 | 478781 | 2 | Bearing Sleeve | 81 | | 2 | Screw, 3/8-16 x 7/8 |
| 33 | 367486 | 1 | Bushing | 82 | 377186 | 1 | Arm Weldment |
| 34 | | 6 | Screw, 1/2-13 x 1-1/8 | 83 | 377160 | 1 | Bracket |
| 35 | 367206 | 6 | Bushing | 84 | 377652 | 1 | Guard |
| 36 | | 4 | Nut, Whiz 3/8-16 | ** | 505790 | 2 | Pad Holder |
| 37 | | 2 | Screw, 3/8-16 x 5/8 | ** | 505791 | 2 | Magna-Grit 46 Brush |
| 38 | | 2 | Screw, 3/8-16 x 2 | ** | 505792 | 2 | DYna-Grit 80 Brush |
| 39 | 441236 | 6 | Nut, 1/2 Spring | ** | 505793 | 2 | Aglite-Grit 500 Brush |
| 40 | 377632 | 2 | Bracket | ** | 505794 | 2 | Prolene Brush |
| 41 | | 4 | 3/8-16 x 1-1/8 Bolt | ** | 505795 | 2 | Prolite Brush |
| 42 | | 2 | Screw, #10-24 x 1/2 HP-5 | ** | 505796 | 2 | Union Mix Brush |
| 43 | 376346 | 2 | Pipe, Solution | ** | 505797 | 2 | MidGrit 240 Brush |
| 44 | 377224 | 2 | Lock Weldment | ** | 505798 | 2 | MidLite 180 Brush |
| 45 | 152811 | 2 | Collar | | | | |
| 46 | 171123 | 2 | Spring | | | | |
| 47 | 377230 | 2 | Handle Weldment | | | | |
| 48 | 016974 | 2 | Decal, Brush Lock | | | | |

* = Not Shown

** = Optional, Not Included



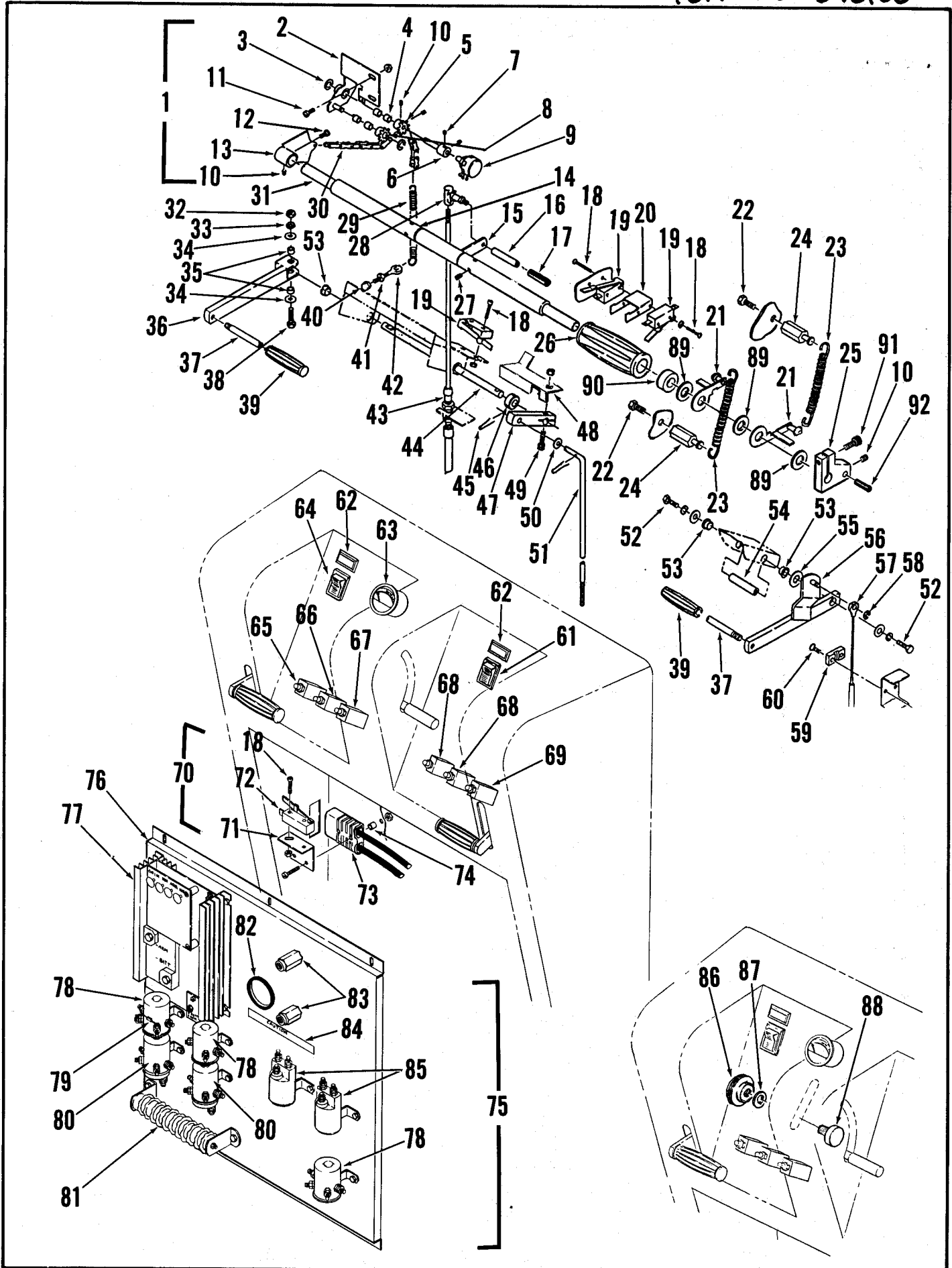
SQUEEGEE ASSEMBLY

| ITEM | PART NO | QTY | DESCRIPTION |
|------|---------|-----|----------------------------------|
| 1 | 377 780 | 1 | ROD |
| 2 | | 2 | NUT, HEX JAM 1/4-20 |
| 3 | 377 754 | 1 | YOKE |
| 4 | 163 872 | 1 | BUSHING |
| 5 | 377 744 | 1 | LIFTER, SQUEEGEE |
| 6 | 365 769 | 1 | SPRING, EXTENSION |
| 7 | | 1 | NUT, HEX JAM #10-24 |
| 8 | | 1 | SCREW, HEX HD. #10-24 X 3/4 HP-5 |
| 9 | 324 505 | 2 | BEARING, FLANGE .376 |
| 10 | 475 411 | 2 | BUSHING .25 X .38 X .48 |
| 11 | | 3 | WASHER, FLAT 1/4 SAE |
| 12 | | 2 | SCREW, HEX HD. 1/4-20 X 1" |
| 13 | | 1 | SCREW, HEX HD. 1/4-20 X 3/4 HP-5 |
| 14 | | 2 | SCREW, HEX HD. 1/2-13 X 2 1/2 |
| 15 | | 2 | WASHER, SHAKEPROOF 1/2 SAE |
| 16 | | 2 | WASHER, FLAT 1/2 SAE |
| 17 | 377 752 | 2 | BUSHING, .503 X .62 X 1.75 |
| 18 | 453 655 | 4 | BEARING, SLEEVE |
| 19 | 377 758 | 1 | ARM |
| 20 | 376 308 | 1 | CUBE, PIVOT - RIGHT |
| 21 | 376 311 | 1 | CUBE, PIVOT - LEFT |
| 22 | 370 711 | 2 | WING NUT 5/16-18 |
| 23 | 477 772 | 2 | BALL JOINT |
| 24 | 371 009 | 6 | WASHER .391 X .62 X .06 |
| 25 | 321 427 | 4 | RING, RETAINING |
| 26 | 376 300 | 1 | SQUEEGEE MOUNT |
| 27 | | 1 | GROOVE PIN 1/8 X 1.00 |
| 28 | 217 972 | 1 | KNOB |
| 29 | 376 297 | 1 | ROD, ADJUSTING |
| 30 | 376 314 | 1 | BLOCK ADJUSTING |
| 31 | 376 315 | 1 | PIN, ADJUSTING |
| 32 | 377 720 | 1 | SQUEEGEE ASSEMBLY |
| 33 | 157 066 | 2 | RING, RETAINING 3/8 EXT. |
| 34 | 228 102 | 2 | WHEEL 4.00 X .875 |
| 35 | 377 734 | 1 | STRAP, OUTER |
| 36 | 209 491 | 22 | SCREW S.S. #10-24 X .625 |
| | | 22 | WASHER, SHAKEPROOF #10 |
| | | 22 | WASHER #10 SAE |
| 37 | 377 767 | 2 | BLADE, NEOPRENE |
| 38 | 377 738 | 1 | BLADE, GUM RUBBER |
| 39 | 377 722 | 1 | TOOL, SQUEEGEE |
| 40 | 377 736 | 1 | BLADE, NEOPRENE |
| 41 | 377 742 | 1 | STRIP, PLASTIC |
| 42 | 377 766 | 2 | ANGLE |
| 43 | 377 313 | 1 | HOSE ASSEMBLY, SQUEEGEE |
| 44 | 478 246 | 1 | TIE, CABLE |

SEE
TSB

396

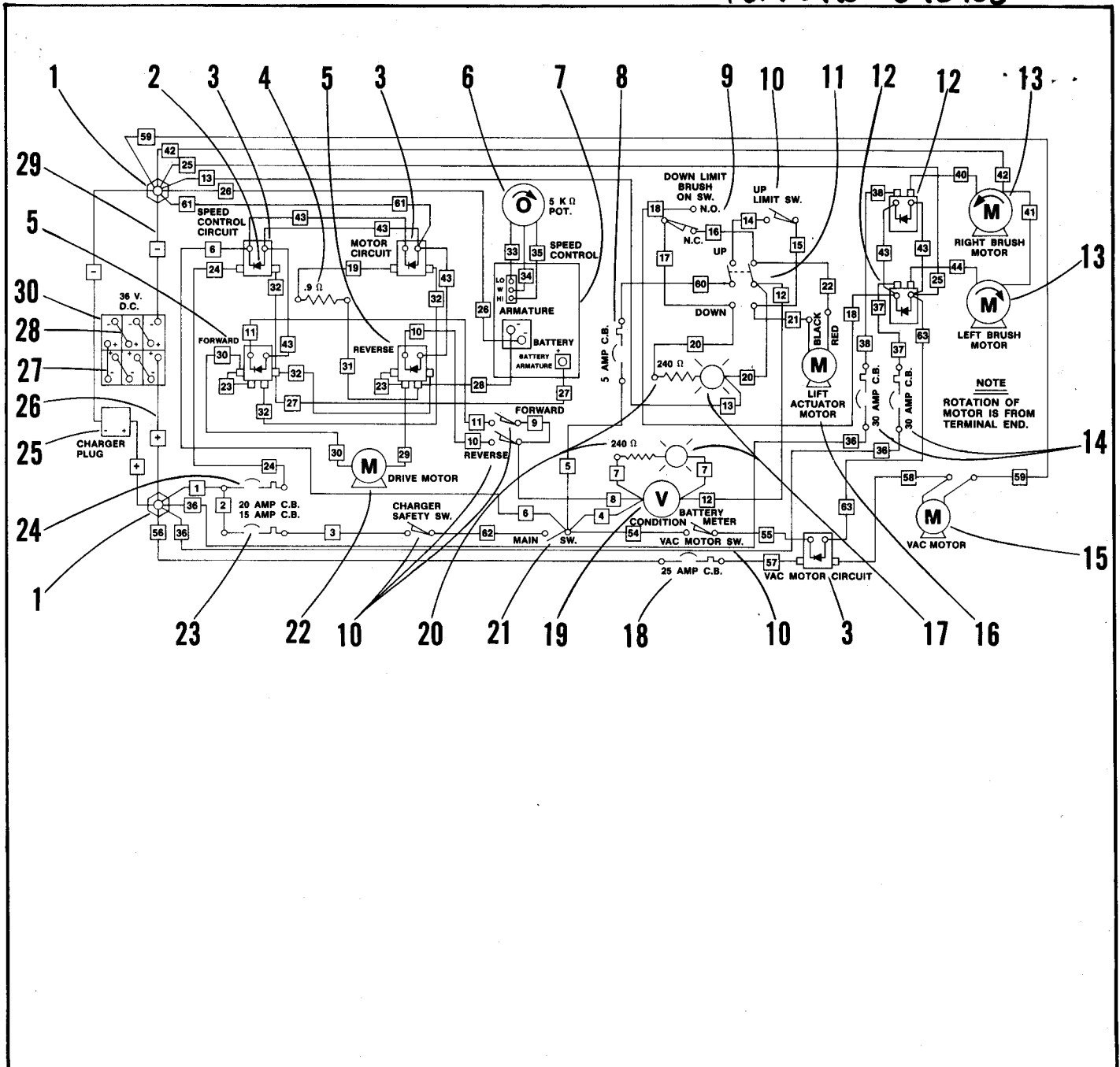
G-7



CONTROLS & HANDLE ASSEMBLY

| ITEM | PART NO | QTY | DESCRIPTION | ITEM | PART NO | QTY | DESCRIPTION |
|------|---------|-----|--|------|---------|-----|-----------------------------|
| 1 | 377 786 | 1 | POTENTIOMETER ASSEMBLY C/O | 86 | 387 670 | 1 | KNOB |
| 2 | 377 787 | 1 | BRACKET | 87 | 200 190 | 1 | WASHER, FIBER |
| 3 | 321 125 | 2 | RING, RETAINING | 88 | 387 668 | 1 | STUD |
| 4 | 372 624 | 4 | BEARING, SLEEVE | 89 | 151 851 | 3 | BEARING, THRUST .635 |
| 5 | 377 797 | 1 | SPROCKET | 90 | 377 434 | 1 | COLLAR |
| 6 | 377 791 | 1 | PIN | 91 | | 1 | SCREW, SOC HD. #10-24 X 3/4 |
| 7 | | 2 | SET SCREW #10-24 X 3/16 | 92 | | 1 | PIN, SPRING 1/4 X 3/4 |
| 8 | 377 796 | 1 | SPROCKET | | | | |
| 9 | 454 740 | 1 | POTENTIOMETER 5K | | | | |
| 10 | | 4 | SET SCREW #10-24 X 3/16 | | | | |
| 11 | | 2 | SCREW, HEX HD. 1/4-20 X 1/2 WITH FLANCE HEX NUT | | | | |
| 12 | | 1 | SCREW, PAN HD. #10-24 X 5/8 | | | | |
| 13 | 377 784 | 1 | LEVER | | | | |
| 14 | 388 580 | 2 | TUBE, TWIST GRIP | | | | |
| 15 | 377 658 | 1 | LEVER, SOLUTION CONTROL | | | | |
| 16 | 376 066 | 1 | HANDLE, SOLUTION CONTROL | | | | |
| 17 | 376 486 | 1 | GRIP, HANDLE | | | | |
| 18 | | 8 | SCREW, ROUND HD. #6-32 X 1" | | | | |
| 19 | 388 019 | 3 | SWITCH, SNAP SPST NC | | | | |
| 20 | 388 576 | 1 | BRACKET, SWITCH | | | | |
| 21 | 388 562 | 2 | ARM, SWITCH | | | | |
| 22 | | 2 | SCREW, HEX HD. #10-24 X 3/8 | | | | |
| 23 | 365 769 | 2 | SPRING, EXTENSION | | | | |
| 24 | 377 436 | 2 | PIN, HEX | | | | |
| 25 | 377 438 | 1 | CLAMP | | | | |
| 26 | 388 543 | 2 | GRIP, HANDLE | | | | |
| 27 | | 4 | SCREW, SET #10-24 X 1/4 | | | | |
| 28 | 488 290 | 2 | BALL JOINT | | | | |
| 29 | 358 560 | 1 | SPRING, EXTENSION | | | | |
| 30 | 377 793 | 1 | CHAIN | | | | |
| 31 | 377 662 | 1 | TUBE, HANDLE | | | | |
| 32 | | 1 | NUT, HEX 1/4-20 | | | | |
| 33 | | 1 | WASHER, SHAKEPROOF | | | | |
| 34 | | 2 | WASHER, FLAT 1/4 | | | | |
| 35 | 151 106 | 2 | BUSHING | | | | |
| 36 | 377 770 | 1 | LEVER | | | | |
| 37 | 376 254 | 2 | PIN .312 X 2.81 | | | | |
| 38 | | 1 | SCREW, SOCKET HD. 1/4-20 X 1 1/2 | | | | |
| 39 | 471 193 | 2 | GRIP, HANDLE | | | | |
| 40 | | 1 | ACORN NUT #10-24 | | | | |
| 41 | | 1 | NUT, JAM #10-24 | | | | |
| 42 | 388 599 | 1 | EYE BOLT #10-24 | | | | |
| 43 | 377 002 | 1 | CABLE, SOLUTION CONTROL | | | | |
| 44 | 377 778 | 1 | ROD | | | | |
| 45 | | 2 | PIN, COTTER 1/16 X 1" | | | | |
| 46 | 232 408 | 1 | COLLAR | | | | |
| 47 | 377 782 | 1 | LEVER | | | | |
| 48 | 377 776 | 1 | ACTUATOR, SWITCH | | | | |
| 49 | | 1 | SCREW, SOC. HD. 1/4-20 X 1 1/4 & NUT | | | | |
| 50 | | 2 | WASHER, FLAT 5/16 | | | | |
| 51 | 377 780 | 1 | ROD, SQUEEGEE | | | | |
| 52 | | 2 | SCREW, HEX HD. 1/4-20 X 1/2 W/LKW & FW | | | | |
| 53 | 376 248 | 4 | BEARING, NYLON | | | | |
| 54 | 376 468 | 1 | PIN | | | | |
| 55 | | 2 | WASHER, FLAT 1/2 | | | | |
| 56 | 376 250 | 1 | LEVER, BRAKE | | | | |
| 57 | 376 386 | 1 | CABLE ASSEMBLY, BRAKE | | | | |
| 58 | 321 125 | 1 | RING, RETAINING | | | | |
| 59 | 477 884 | 2 | CLAMP, CABLE | | | | |
| 60 | | 4 | SCREW, FLAT HD. 1/4-20 X 7/8 W/NUT | | | | |
| 61 | 377 003 | 1 | SWITCH, ROCKER | | | | |
| 62 | 467 410 | 2 | LIGHT, INDICATOR | | | | |
| 63 | 448 662 | 1 | METER, BATTERY CONDITION | | | | |
| 64 | 376 348 | 1 | SWITCH, ROCKER | | | | |
| 65 | 454 538 | 1 | CIRCUIT BREAKER 15A | | | | |
| 66 | 395 454 | 1 | CIRCUIT BREAKER 20A | | | | |
| 67 | 469 788 | 1 | CIRCUIT BREAKER 25A | | | | |
| 68 | 454 423 | 2 | CIRCUIT BREAKER 30A | | | | |
| 69 | 387 328 | 1 | CIRCUIT BREAKER 5A | | | | |
| 70 | 377 710 | 1 | CHARGER PLUG ASSEMBLY C/O | | | | |
| 71 | 389 270 | 1 | BRACKET, SWITCH | | | | |
| 72 | 388 019 | 1 | SWITCH, SNAP SPST NC | | | | |
| 73 | 371 408 | 1 | CHARGER PLUG | | | | |
| 74 | 373 040 | 2 | BUSHING | | | | |
| 75 | 377 714 | 1 | ELECTRICAL PANEL ASSEMBLY C/O | | | | |
| 76 | 376 318 | 1 | PANEL, ELECTRICAL | | | | |
| 77 | 388 521 | 1 | D.C. CONTROLLER | | | | |
| 78 | 395 452 | 3 | CONTACTOR, 36V | | | | |
| 79 | 389 265 | 7 | RECTIFIER ASSEMBLY | | | | |
| 80 | 388 534 | 2 | SOLENOID, 36V D.C. | | | | |
| 81 | 467 470 | 1 | RESISTOR 9 OHMS | | | | |
| 82 | 344 621 | 1 | GROMMET | | | | |
| 83 | 469 858 | 2 | STANDOFF, INSULATED | | | | |
| 84 | 025 363 | 1 | DECAL, "CAUTION" | | | | |
| 85 | 395 450 | 2 | CONTACTOR 36V | | | | |

TSB# 472,
F-10



ELECTRICAL SCHEMATIC

| ITEM | PART NO | QTY | DESCRIPTION | ITEM | PART NO | QTY | DESCRIPTION |
|------|---------|-----|---|------|---------|-----|----------------------------|
| 1 | 469 858 | 2 | STANDOFF, INSULATED | 22 | 388 510 | 1 | DRIVE MOTOR ASSEMBLY |
| 2 | 389 265 | 7 | RECTIFIER ASSEMBLY | | 388 515 | 1 | MOTOR ONLY |
| 3 | 395 452 | 3 | CONTACTOR 36 VOLT | | 386 263 | 1 | CARBON BRUSH SET |
| 4 | 467 470 | 1 | RESISTOR .9 OHMS | 23 | 454 538 | 1 | CIRCUIT BREAKER 15 AMP |
| 5 | 388 534 | 2 | SOLENOID 36 VOLT D.C. | 24 | 395 454 | 1 | CIRCUIT BREAKER 20 AMP |
| 6 | 454 740 | 1 | POTENTIOMETER 5K | 25 | 377 710 | 1 | CHARGER PLUG ASSEMBLY |
| 7 | 388 521 | 1 | CONTROLLER, SPEED D.C. <i>TSB 472, F-10</i> | | 371 408 | 1 | CHARGER PLUG - ONLY |
| 8 | 387 328 | 1 | CIRCUIT BREAKER 5 AMP | 26 | 389 241 | 1 | BATTERY CABLE - POSITIVE |
| 9 | 388 532 | 1 | SWITCH, SNAP SPDT | 27 | 389 235 | 1 | BATTERY CABLE |
| 10 | 388 019 | 5 | SWITCH, SNAP SP ST | 28 | 389 232 | 4 | BATTERY CABLE |
| 11 | 377 003 | 1 | SWITCH, ROCKER (VP-DOWN) | 29 | 389 244 | 1 | BATTERY CABLE - NEGATIVE |
| 12 | 395 450 | 2 | CONTACTOR 36 VOLT | 30 | 376 014 | 6 | BATTERY 6V D.C. (OPTIONAL) |
| 13 | 377 010 | 2 | MOTOR 36V D.C. 1 HP <i>TSB 515, F-9</i> | | | | |
| 14 | 454 423 | 2 | CIRCUIT BREAKER 30A | | | | |
| 15 | 202 305 | 1 | MOTOR, VACUUM 24 VOLT | | | | |
| 16 | 388 518 | 1 | MOTOR, LIFT ACTUATOR | | | | |
| 17 | 467 410 | 2 | LIGHT, INDICATOR | | | | |
| 18 | 469 788 | 1 | CIRCUIT BREAKER 25A | | | | |
| 19 | 448 662 | 1 | METER, BATTERY CONDITION | | | | |
| 20 | 395 404 | 2 | RESISTOR ASSEMBLY 240 OHMS | | | | |
| 21 | 376 348 | 1 | SWITCH, MAIN-ROCKER | | | | |

