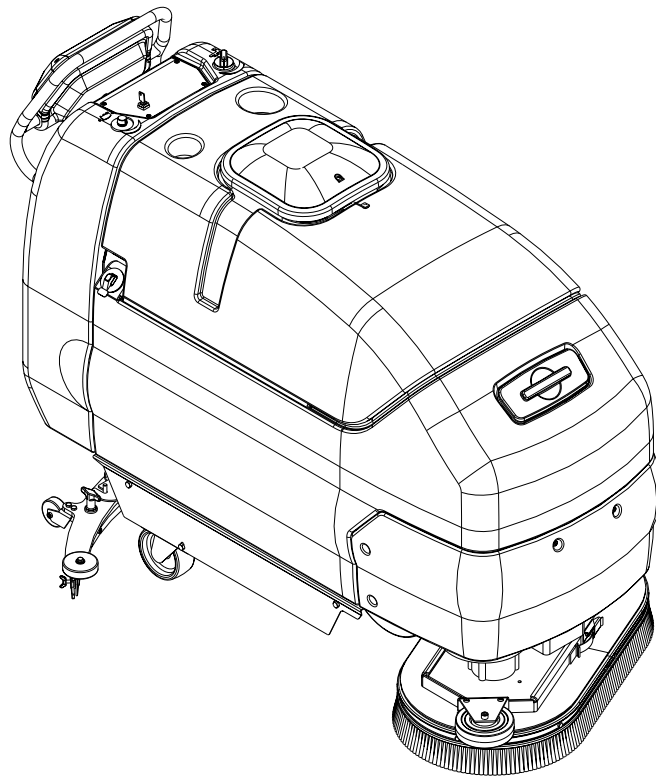


C MAX™ 28ST

BA 750ST / BA 850ST



PARTS LIST

Advance MODEL 56396010

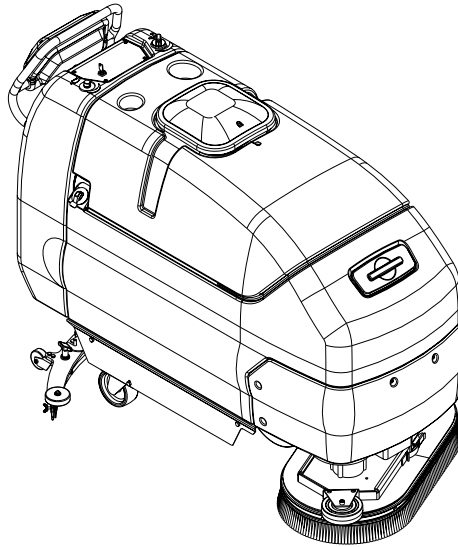
Nilfisk MODELS 56396011, 56396012



**Nilfisk
Advance**

setting standards

2/02 revised 3/04 FORM NO. 56042423
BOOK E SECTION 11.6.1

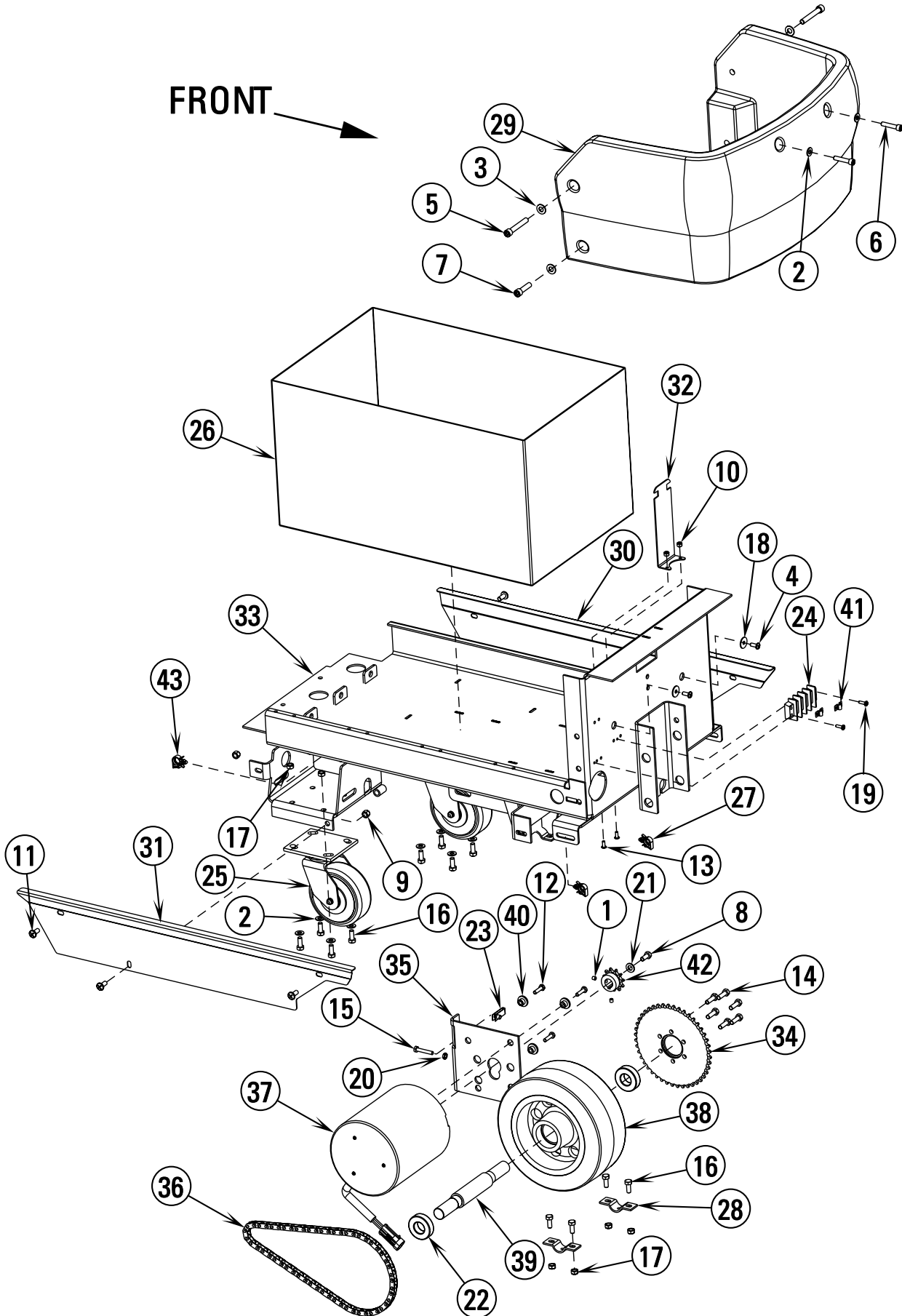


DESCRIPTION	PLAN
CHASSIS SYSTEM	E-11.6.1-3
CONTROL / ELECTRICAL SYSTEM-1	E-11.6.1-5
CONTROL / ELECTRICAL SYSTEM-2	E-11.6.1-7
HANDLE PADDLE ASSEMBLY	E-11.6.1-9
DECAL SYSTEM	E-11.6.1-11
RECOVERY SYSTEM	E-11.6.1-13
SCRUB SYSTEM	E-11.6.1-15
SCRUB SYSTEM SKIRTS	E-11.6.1-17
SOLUTION SYSTEM	E-11.6.1-19
SQUEEGEE SYSTEM	E-11.6.1-21
SQUEEGEE ASSEMBLY-CMAX 28ST / BA 750ST	E-11.6.1-23
SQUEEGEE ASSEMBLY-BA 850ST	E-11.6.1-25
SCHEMATIC	E-11.6.1-27
BRUSH CLICK-OFF KIT	E-11.6.1-29
PARKING BRAKE KIT	E-11.6.1-31
INDUSTRIAL BUMPER KIT	E-11.6.1-33
BRUSH / DISC SELECTOR GUIDE	E-11.6.1-34

WHEN ORDERING PARTS

- * Use the 8 digit numbers from the "Ref. No." columns in this parts list.
- * Specify the model and serial number of the machine.
- * Use the space below to record the model and serial number for future reference.

Model _____ Serial No. _____

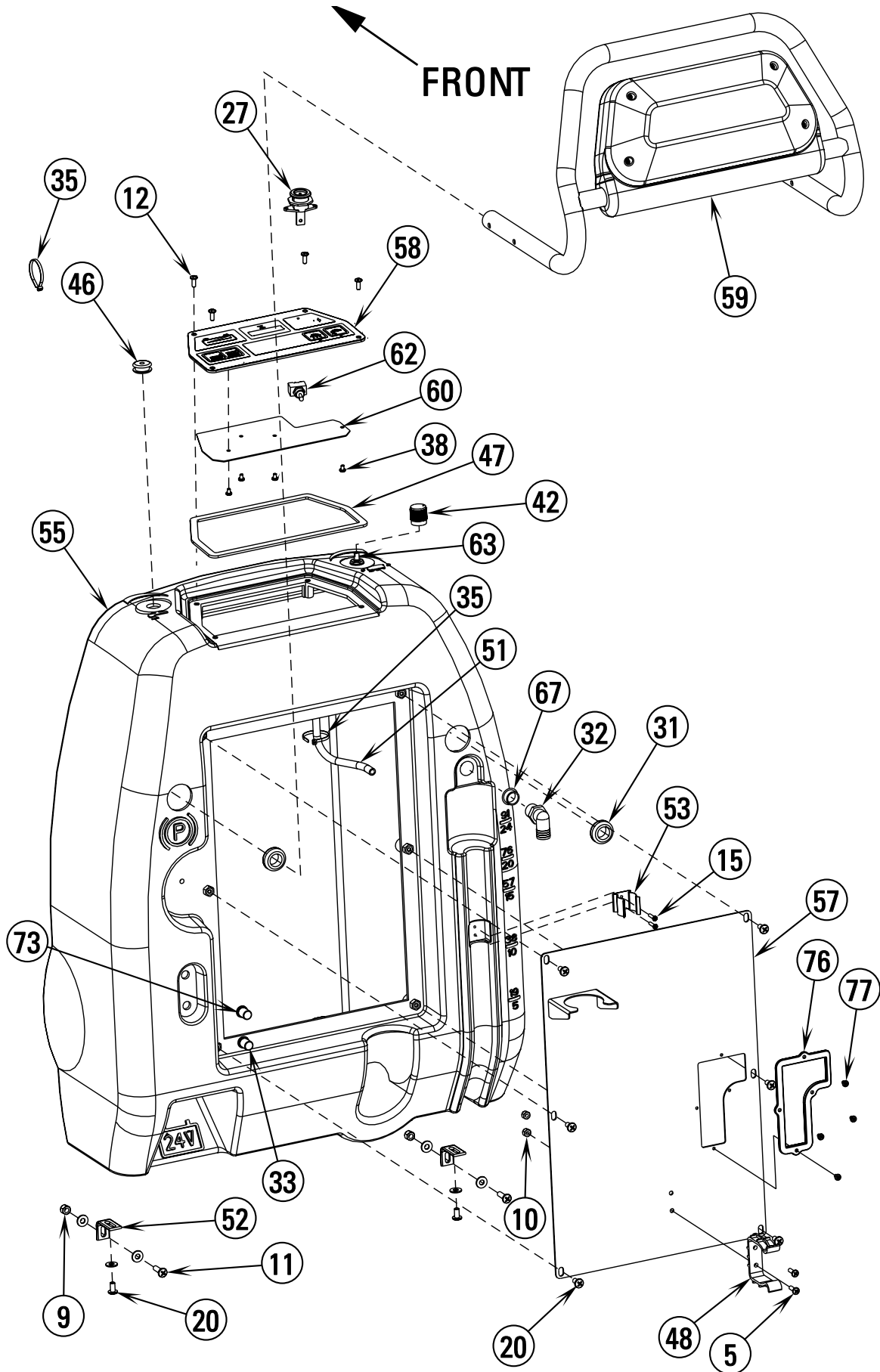


02-2	CHASSIS SYSTEM	BOOK E		
02-8	C MAX™ 28ST / BA 750ST / BA 850ST	E	11.6.1	3

Item	Ref. No.	Qty	Description
1	56001841	2	Scr, Soc Set Loc 1/4-20 x .25
2	56001939	10	Wsh, Flt SAE 5/16
3	56002063	4	Wsh, Flt SAE 3/8
4	56002066	2	Scr, Pan Phil 1/4-20 x .62
5	56002196	2	Scr, Soc Hd 3/8-16 x 2.50
6	56002201	2	Scr, Soc Hd 5/16-18 x 1.50
7	56002316	2	Scr, Soc Hd 3/8-16 x 1.50
8	56002667	1	Scr, Hex Hd 5/16-18 x .75
9	56002701	6	Nut, Hex Nyl Loc 5/16-18
10	56002768	2	Nut, Hex Nyl Loc 10-24
11	56002793	6	Scr, Pan Phil 5/16-18 x .75
12	56002883	3	Scr, Hex Hd SS 1/4-20 x 1.00
13	56002900	2	Scr, Pan Phil SS 10-24 x .50
14	56003073	6	Scr, Hex Hd Loc 5/16-18 x 1.00
15	56003125	1	Scr, Hex Thd To Hd SS 1/4-20 x 1.50
16	56003179	12	Scr, Hex Thd To Hd M8-1.25 x 20mm
17	56003389	12	Nut, Hex Nyl Loc M8-1.25
18	56009002	2	Wsh, Flt .266 x .906 x .060
19	56009042	2	Scr, Pan Phil Thd Form 10-24 x .62
20	56009087	1	Nut, Hex Jam 1/4-20
21	56009214	1	Wsh, Flt .406 x .750 x .090
22	56479430	2	Bearing, Ball
23	56009289	1	Nut, U Multi-Thread 1/4-20
24	56026111	1	Term. Block, 4 Term. 50 Amp
25	56055658	2	Caster, Swivel
26	56056727	1	Box, Battery Molded
27	56386407	2	Clip, Conduit
28	56396039	2	Clamp, Axle
29	56396083	1	Panel, Front (C MAX 28ST / BA 750ST)
	56396084	1	Panel, Front (BA 850ST)
30	56396115	1	Panel, Left
31	56396118	1	Panel, Right
32	56396200	1	Bracket, Vac Exhaust Hose
33	56396263	1	Weldment, Chassis
34	56396022	1	Sprocket
35	56396267	1	Bracket, Tension-Traction Drive
36	56396276	1	Chain, #40
37	56396311	1	Motor, 24VDC 1/2 HP
*	56039276	4	Carbon Brushes
38	56396350	1	Wheel, 10.00 x 4.00
39	56396351	1	Axle
40	56397085	3	Bushing
41	56397184	2	Plate, Jumper
42	56741122	1	Sprocket
43	56900756	2	Clip, Conduit
**	56396301	1	Kit, Brush Click-Off 24V (All Models)
**	56396302	1	Kit, Parking Brake (All Models)
**	56396307	1	Kit, Industrial Bumper (C MAX 28ST)

* = Not Shown

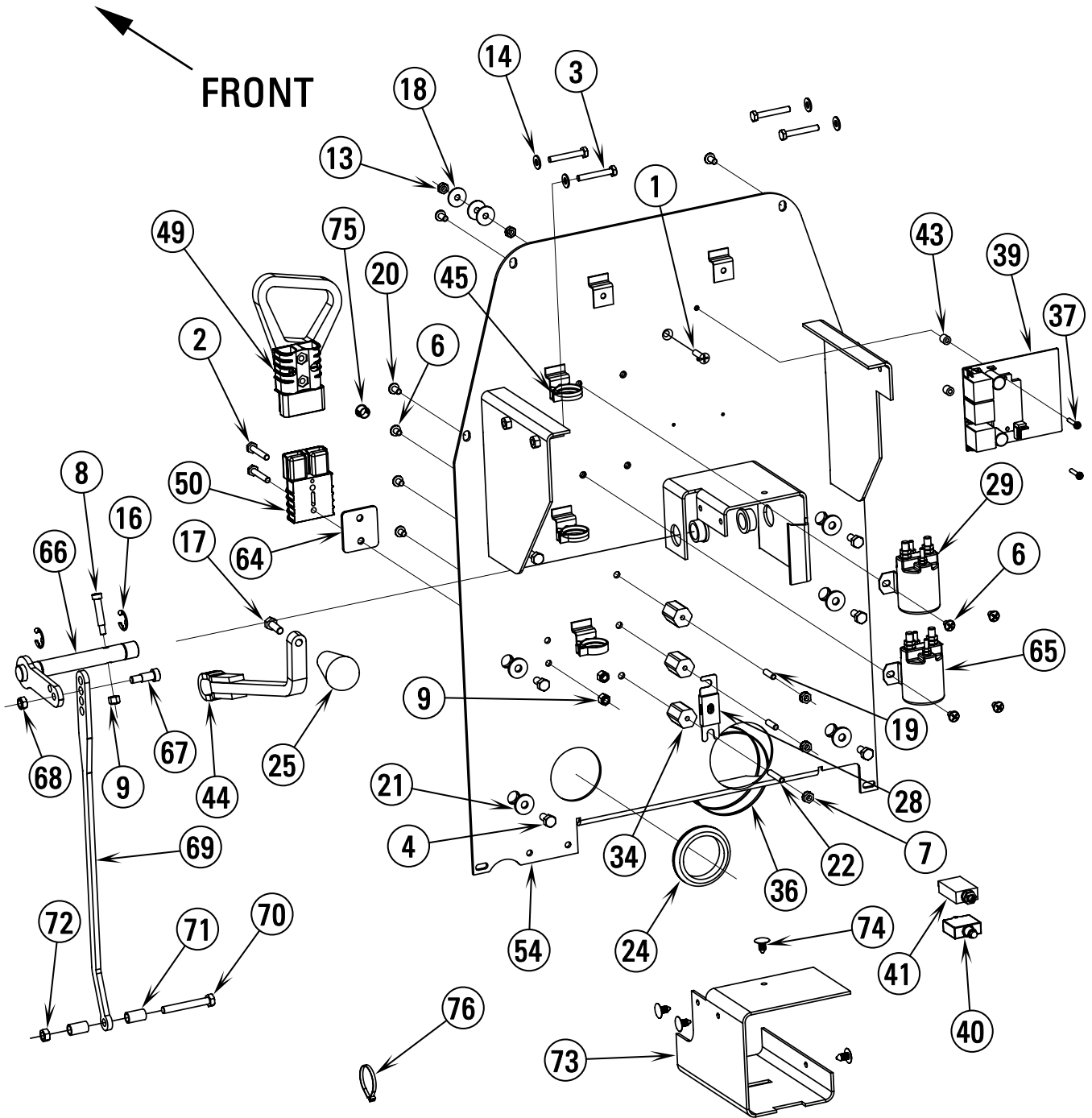
** = Optional



02-2	CONTROL / ELECTRICAL SYSTEM-1	BOOK E		
03-3	CMATM 28ST / BA 750ST / BA 850ST	E	11.6.1	5

Item	Ref. No.	Qty	Description
5	56002124	2	Scr, Pan Phil 10-24 x .62
9	56002708	5	Nut, Hex Nyl Loc 1/4-20
10	56002768	2	Nut, Hex Nyl Loc 10-24
11	56002785	2	Scr, Pan Phil 1/4-20 x .88
12	56002831	4	Scr, Pan Phil Blk 10-24 x .50
15	56003197	2	Scr, Pan Phil Plastite 6-18 x .62
20	56009069	12	Scr, Pan Phil Loc 1/4-20 x .50
27	56393325	1	Bracket, Keylock
*	56393415	A/R	Replacement Key
31	56418199	2	Grommet
32	56456802	1	Barb, 90 Elbow 11/16 x 3/4NPT
33	56459369	1	Boot, Reset Button
35	56478246	1	Tie, Cable
38	56009386	4	Scr, Pan Phil Metric Blue M4 x 6
42	56056596	1	Knob
46	56396149	1	Grommet
47	56396151	1	Gasket
48	56396199	1	Clamp, Plastic
51	56396204	1	Hose, PVC 1/4 x 3/8 x 48
52	56396218	2	Bracket, Panel
53	56396252	1	Clip, Spring
55	56396281	1	Cover, Rear
57	56396288	1	Weldment, Rear Panel TSBUS2002-830
58	56396297	1	Display Panel Assy
59	56396298	1	Paddle, Handle Assy
60	56396300	1	Control PCB Assy
62	56396305	1	Switch, SPST Toggle (Main)
63	56397123	1	Potentiometer, 25K (Speed Limit)
67	56900041	1	Plug, Cap
73	56459367	1	Boot, Reset Button
76	56396331	1	Wear Strip
77	56009036	4	Scr, Pan Phil Thd Form 8-32 x .25

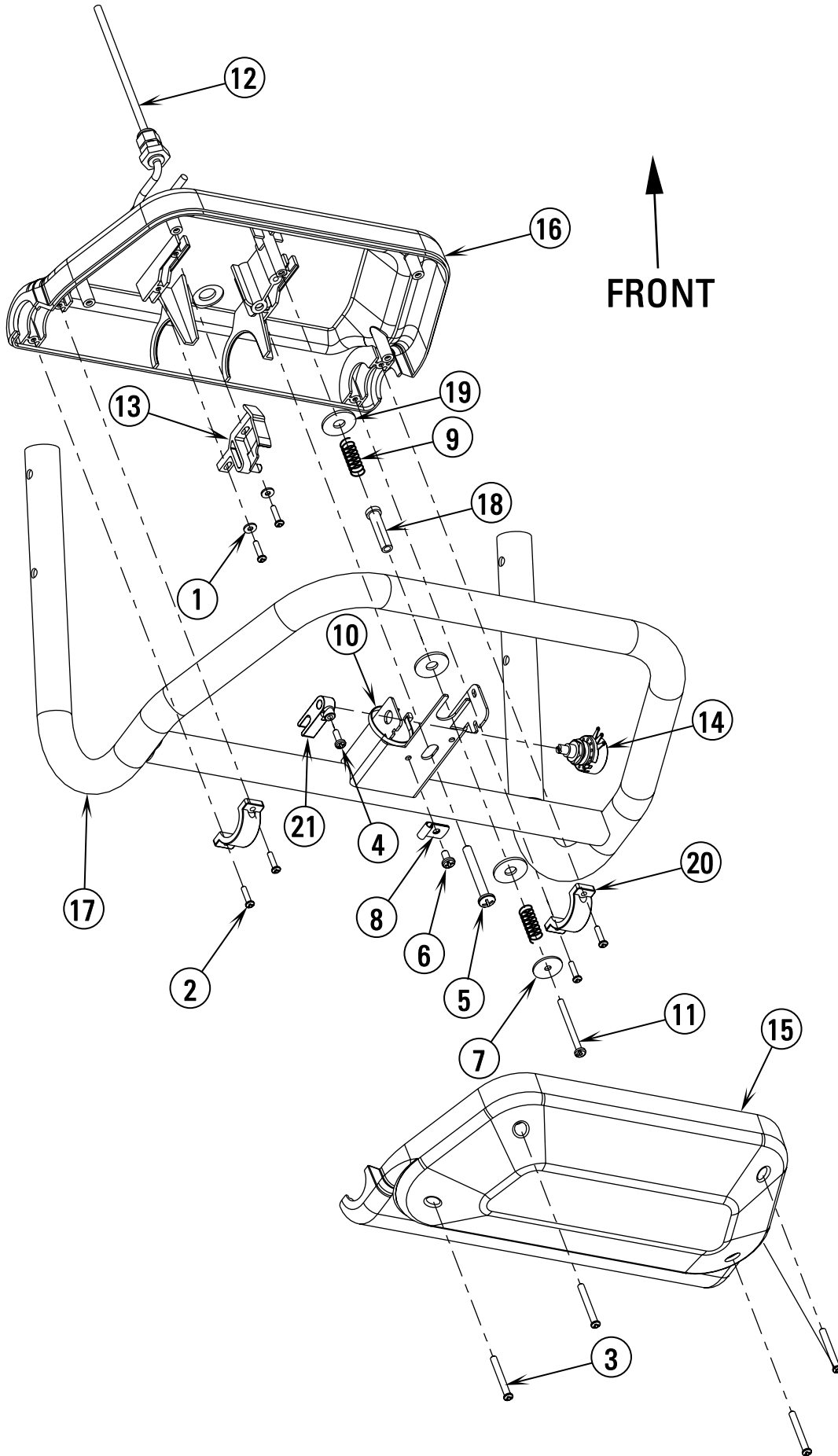
* = Not Shown



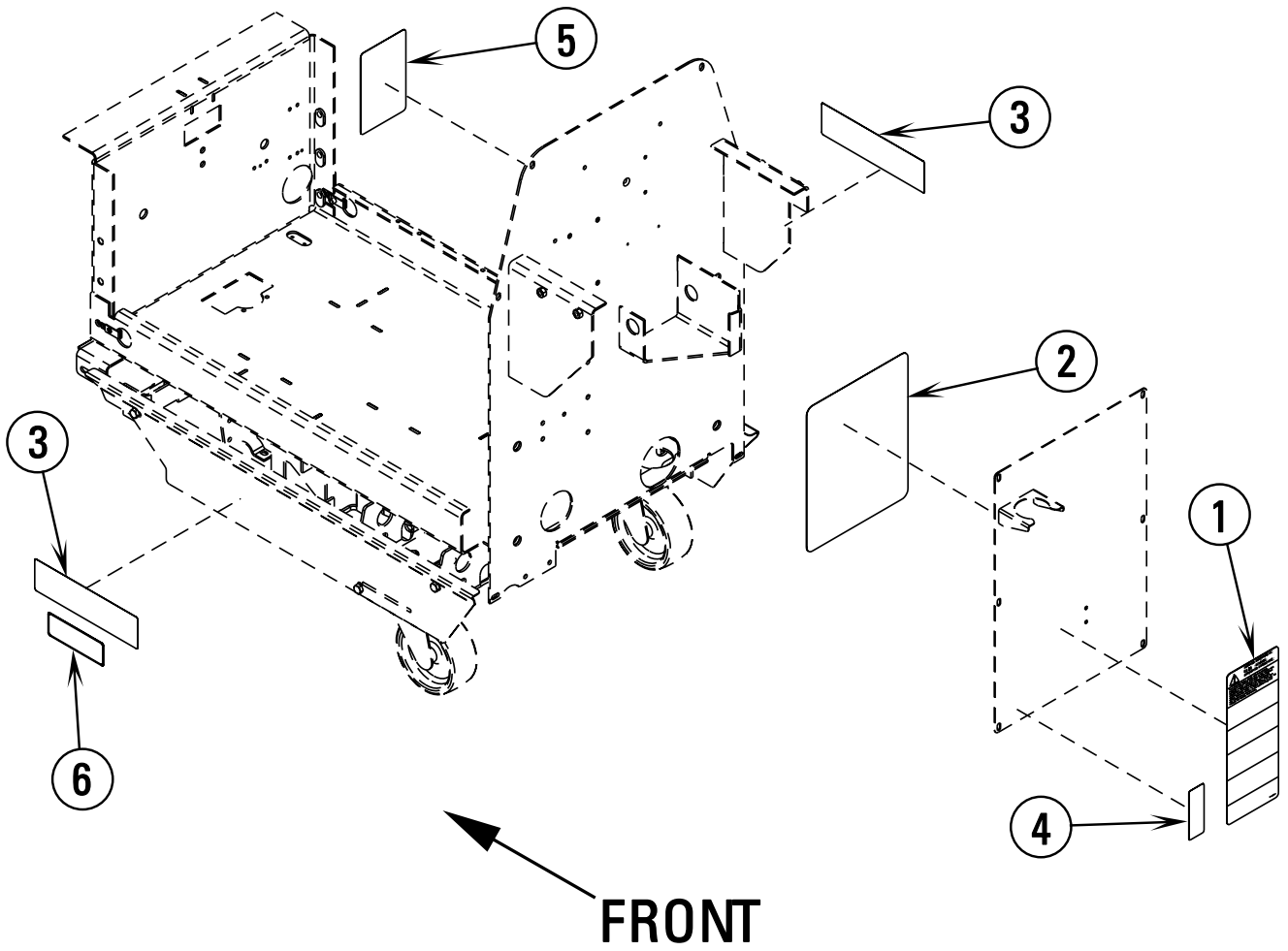
02-2	CONTROL / ELECTRICAL SYSTEM-2	BOOK E		
03-3	CMATM 28ST / BA 750ST / BA 850ST	E	11.6.1	7

Item	Ref. No.	Qty	Description
1	56001832	1	Scr, Flt Phil 1/4-20 x 1.00
2	56001833	2	Scr, Hex Hd 1/4-20 x 1.50
3	56001967	4	Scr, Hex Hd 1/4-20 x 1.75
4	56002035	6	Scr, Hex Hd 5/16-18 x .62
6	56002462	7	Scr, Pan Phil 1/4-20 x .38
7	56002561	3	Nut, Hex W/SHPRF 1/4-20
8	56002619	1	Scr, Soc Shd .31 x 1.25 x 1/4-20
9	56002708	5	Nut, Hex Nyl Loc 1/4-20
13	56002840	2	Nut, Hex Nyl Loc-Thin 1/4-20
14	56002859	10	Wsh, Flt SAE SS 1/4
16	56003266	2	Ring, Ret Ext Type E .75 Dia.
17	56003335	1	Scr, Hex Loc SS 5/16-18 x .88
18	56009002	3	Wsh, Flt .266 x .906 x .060
19	56009020	2	Stud
20	56009069	12	Scr, Pan Phil Loc 1/4-20 x .50
21	56009122	6	Wsh, Flt .344 x .938 x .125
22	56009203	1	Stud, 1/4-20
23	56250414	2	Bearing, Flange
24	56262531	1	Grommet
25	56364527	1	Knob
26	56372673	8	Boot, Battery Post (not shown)
28	56412089	1	Fuse, 150 Amp
29	56412179	1	Contact, 24VDC (Vac Motor)
30	56416445	3	Cable Assy 4 AWG (Battery Interconnect / not shown)
34	56469858	3	Electrical Mount
36	56478523	2	Tie, Cable
37	56009034	2	Scr, Pan Phil Thd Form 8-32 x .88
39	56324023	1	Control, DC Curtis
40	56026198	1	Circuit Breaker, 30 Amp (Wheel Drive)
41	56387328	1	Circuit Breaker, 5 Amp (Controls)
43	56057428	2	Spacer, Aluminum
44	56212035	1	Lift Lever Weldment
45	56212190	3	Clip, Conduit
49	56396202	1	Connector Assembly (TSBUS2003-841) (Connected to Batteries)
50	56396203	1	Connector Assembly (Connected to Machine)
*	56100686	2	#1 Contact
*	56100621	1	Connector Housing
54	56396279	1	Back Panel Weldment
56	56396283	1	Harness, Main (not shown)
61	56396304	1	Cable Assembly 6 AWG x 11.00 (not shown)
64	56397189	1	Spacer
65	56412179	1	Contact, 24VDC (Brush Motor)
66	56397513	1	Weldment, Lift Shaft
67	56002962	1	Scr, Soc Shd .38 x .62 x 5/16-18
68	56002851	1	Nut, Hex Nyl Loc-Thin SS 5/16-18
69	56397532	1	Link, Squeegee Lift
70	56003464	1	Scr, Hex Hd SS M8-1.25 x 60mm
71	56397286	2	Spacer
72	56003405	1	Nut, Hex Nyl Loc SS M8-1.25
73	56396324	1	Flap, Rubber
74	56212241	4	Clip, Panel
75	56323560	1	Plug, Cap
76	56478246	8	Tie, Cable
*	56396283	1	Harness, Main

* = Not Shown

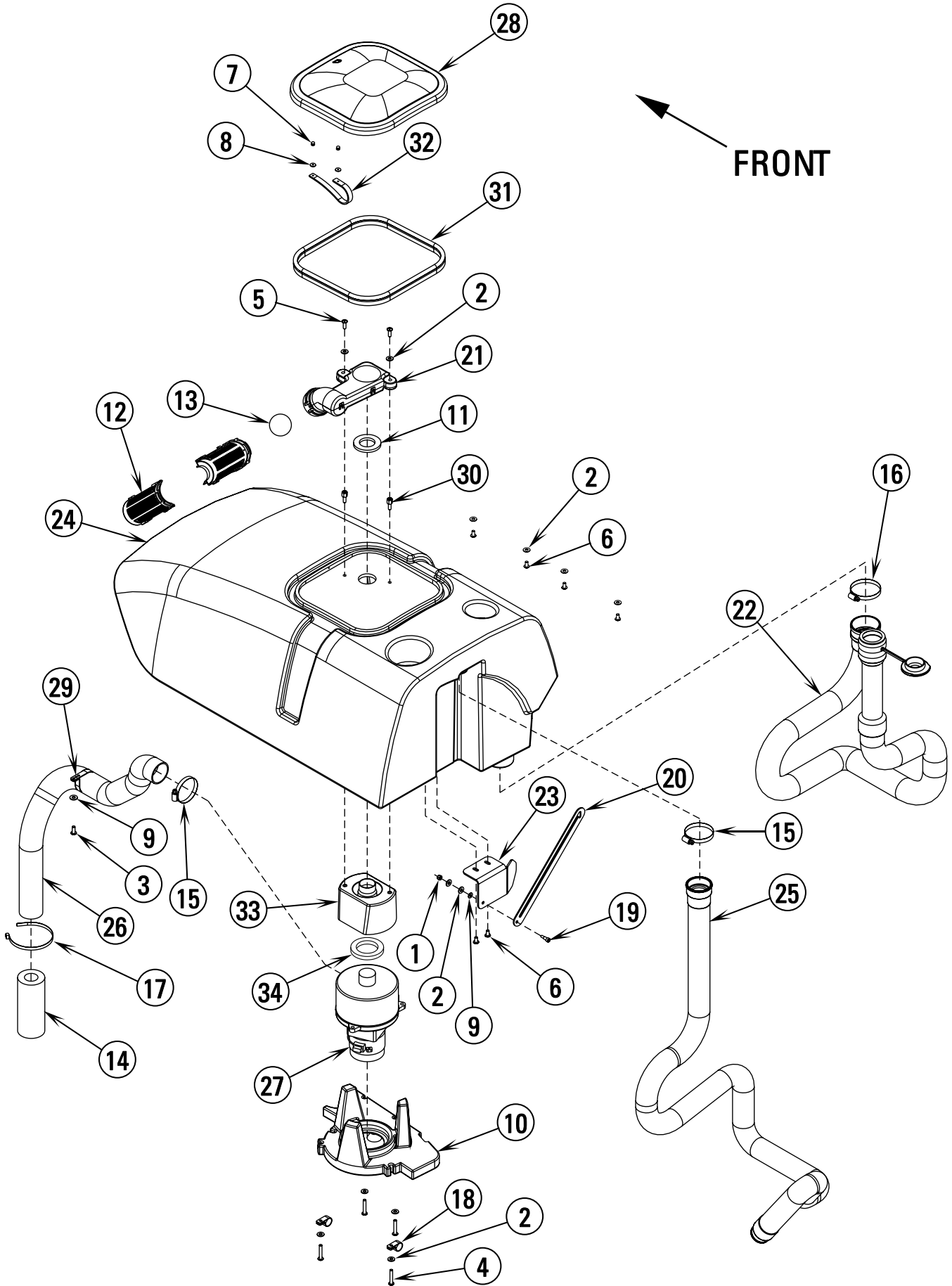


Item	Ref. No.	Qty	Description
	56396298	1	Paddle, Handle Assembly (#1-21)
1	56002006	2	Wsh, Flt SAE #6
2	56003197	6	Scr, Pan Phil Plastite 6-18 x .62
3	56003199	4	Scr, Pan Phil Plastite 8-15 x 1.50
4	56003354	1	Scr, Pan Phil M4 x 12
5	56003527	1	Scr, Pan Phil Plastite 1/4-10 x 2.00
6	56009030	1	Scr, Pan Phil Thd Form 10-24 x .38
7	56009096	1	Wsh, Flt .193 x .875 x .060
8	56220507	1	Clamp, P
9	56325654	2	Spring, Compression
10	56478246	1	Tie, Cable
11	56009287	1	Scr, Pan Phil Type B 8 x 2.00
12	56396299	1	Harness, Handle
13	56397015	1	Cam Controller
14	56397029	1	Potentiometer, 5K
15	56397030	1	Paddle, Front Molded
16	56397031	1	Paddle, Back Molded
17	56397034	1	Weldment, Handle
18	56397109	1	Sleeve
19	56397170	3	Washer, Plastic
20	56397171	2	Clamp
21	56397172	1	Potentiometer Fork



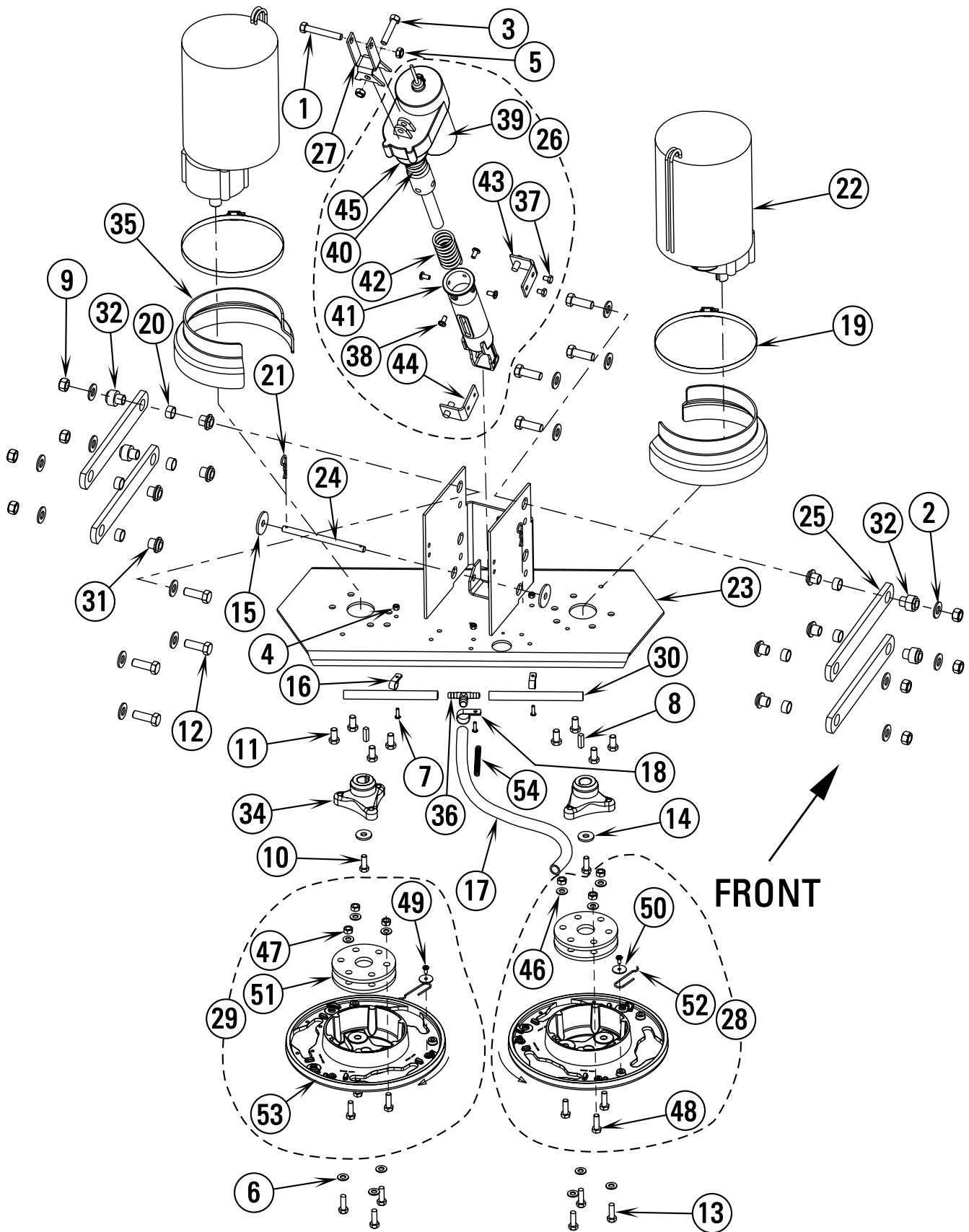
02-2	DECAL SYSTEM	BOOK E		
04-3	CMAX™ 28ST / BA 750ST / BA 850ST	E	11.6.1	11

Item	Ref. No.	Qty	Description
1	56014601	1	Decal, Caution
2	56015048	1	Decal, Electrical Schematic
3	56016682	2	Decal, CMAX 28ST
	56016685	2	Decal, BA 750ST
	56016686	2	Decal, BA 850ST
4	56015065	1	Decal, Circuit Breaker
5	56016486	1	Decal, Battery Wiring
6	56015254	1	Decal, ECO Solutions



Item	Ref. No.	Qty	Description
1	56002768	1	Nut, Hex Nyl Loc 10-24
2	56002859	12	Wsh, Flt SAE SS 1/4
3	56002900	1	Scr, Pan Phil SS 10-24 x .50
4	56002905	4	Scr, Pan Phil SS 1/4-20 x 1.50
5	56003067	2	Scr, Pan Phil SS 1/4-20 x 1.00
6	56003119	6	Scr, Pan Phil SS 1/4-20 x .50
7	56003293	2	Rivet, Pop A/S .125 x .38 / .50
8	56009098	2	Wsh, Flt SS .125 x .50 x .036
9	56009205	2	Wsh, Flt SS #10
10	56302141	1	Vac Motor Duct
11	56302165	1	Gasket
12	56324497	2	Cage, Float
13	56391690	1	Ball, Float
14	56391807	1	Foam, Acoustical
15	56440213	2	Clamp, Hose SAE #32
16	56456797	1	Clamp, Hose SAE #36
17	56477613	1	Tie, Cable
18	56486112	2	Clamp, P
19	56003537	1	Scr, Soc Shd .25 x .38 x 10-24
20	56057508	1	Bar, Steel
21	56302142	1	Float Duct
22	56396031	1	Drain Hose
23	56396148	1	Bracket, Pivot
24	56396224	1	Tank, Recovery (Advance)
	56396223	1	Tank, Recovery (Nilfisk)
25	56396287	1	Vac Hose Assy
26	56397040	1	Hose, Vac Exhaust
27	56397041	1	Vac Motor Assembly
*	56397098	1	Carbon Brush Set
28	56397045	1	Lid
29	56397095	1	Clamp, Hose
30	56397096	2	Spacer Bolt
31	56397151	1	Gasket
32	56397167	1	Strap, Retaining
33	56397303	1	Spacer, Vac Motor
34	56397307	1	Gasket, Vac

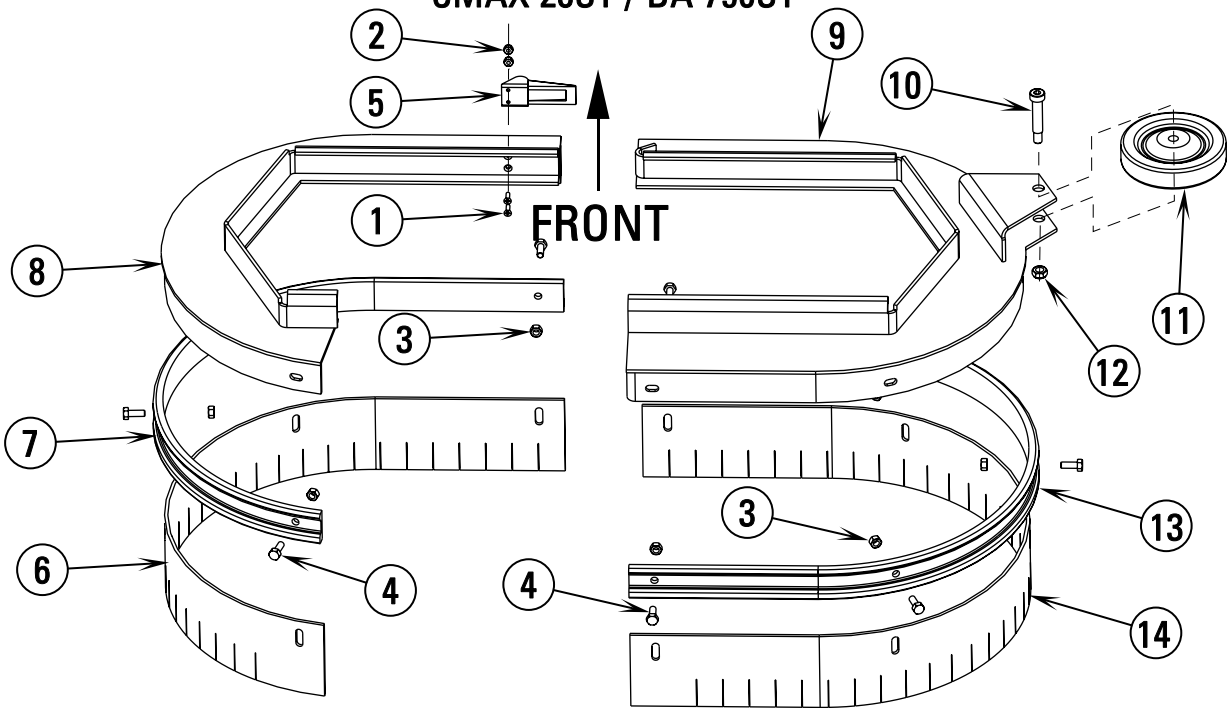
* = Not Shown



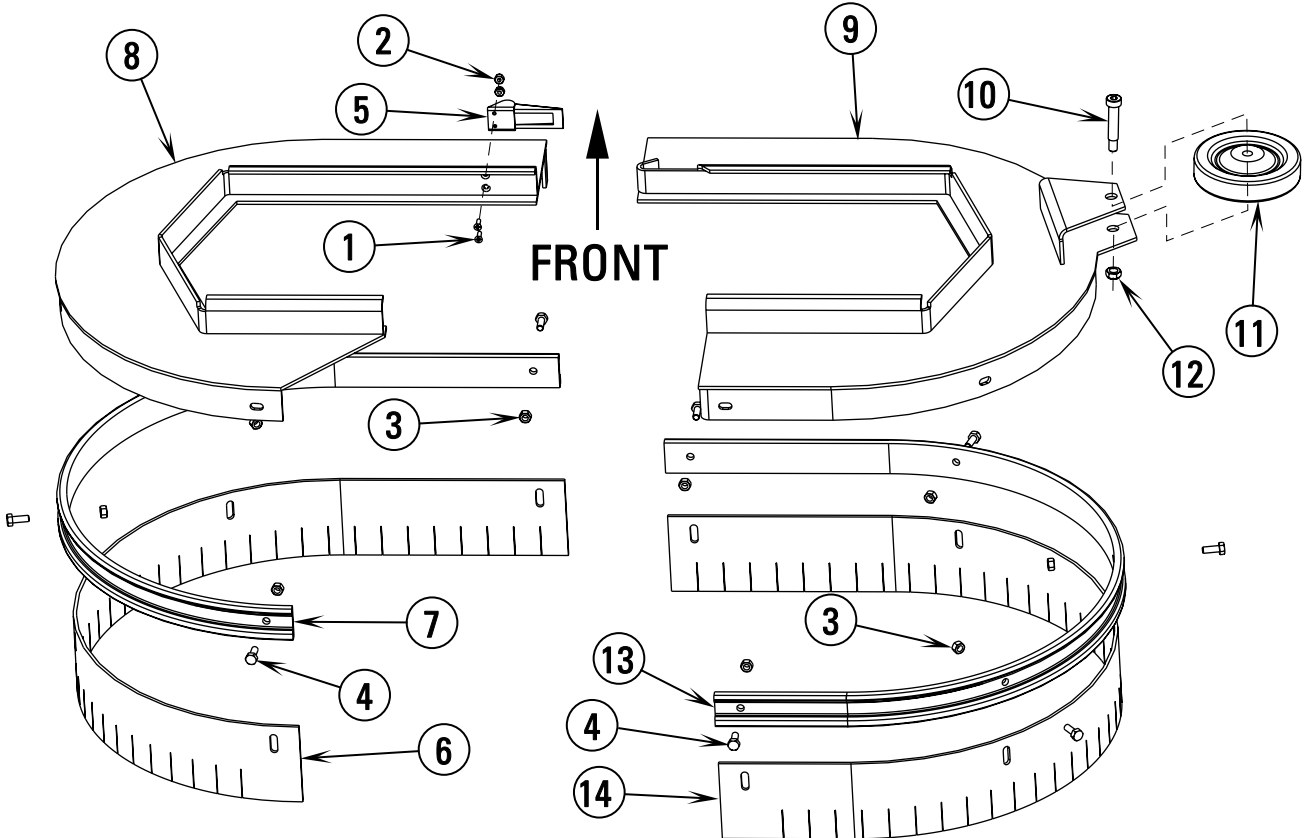
02-2	SCRUB SYSTEM	BOOK E		
03-10	CMAX™ 28ST / BA 750ST / BA 850ST	E	11.6.1	15

Item	Ref. No.	Qty	Description	Item	Ref. No.	Qty	Description
1	56001873	1	Scr, Hex Hd 3/8-16 x 2.50				Lug Assemblies-NOTE #1
2	56001879	16	Wsh, Flt SAE 1/2	46	56002938	3	Wsh, Flt SAE SS 5/16
3	56002684	1	Scr, Hex Hd 3/8-16 x 1.75	47	56003405	3	Nut, Hex Nyl Loc SS M8-1.25
4	56002808	4	Nut, Hex Nyl Loc 8-32	48	56003436	3	Scr, Hex Hd SS M8-1.25 x 25mm
5	56002841	2	Nut, Hex Nyl Loc-Thin 3/8-16	49	56009030	1	Scr, Pan Phil Thd Form 10-24 x .38
6	56002938	6	Wsh, Flt SAE SS 5/16	50	56009096	1	Wsh, Flt .193 x .875 x .060
7	56003001	4	Scr, Pan Phil SS 8-32 x .62	51	56407053	2	Thermoid Disk
8	56003244	2	Key, Sq .25 x .94	52	56397081	1	Spring Retainer
9	56003312	8	Nut, Hex Nyl Loc M12-1.75	53	56314030	1	Brush Holder
10	56003335	2	Scr, Hex Loc SS 5/16-18 x .88	54	56373686	2	Spring, Compression (insert into hose item 17)
11	56003338	8	Scr, Hex Loc SS 3/8-16 x .75				CMAX 28ST / BA 750ST Brushes
12	56003415	8	Scr, Hex M12-1.75 x 35mm	**	56505770	2	Pad Holder
13	56003477	6	Scr, Hex Loc SS M8-1.00 x 25mm	**	56505771	2	MagnaGrit Brush
14	56009107	2	Wsh, Flt SS .378 x 1.00 x .120	**	56505772	2	DynaGrit Brush
15	56009242	2	Wsh, Flt .406 x 1.500 x .125	**	56505773	2	AgLite Grit Brush
16	56152617	2	Clamp, P	**	56505774	2	Prolene Brush
17	56172099	1	Hose, PVC Clear	**	56505775	2	ProLite Brush
18	56328064	2	Clamp, P	**	56505776	2	Union Mix Brush
19	56355488	2	Clamp, Hose SAE #96	**	56505777	2	MidGrit Brush
20	56370878	8	Bearing, Sleeve	**	56505778	2	MidLite Brush
21	56003120	2	Pin, Cotter Hair .0915 x .375	**	56182058	2	Lock Collar, Snap
22	56027153	2	Asm, Motor and Gear Unit, 24V	**	56393567	2	Lock Collar, Thrd
*	56397090	1	Bearing, B.E.				BA 850ST Brushes
*	56397135	1	Bearing, F.E.	**	56505780	2	Pad Holder
*	56397138	4	Brush Spring	**	56505781	2	MagnaGrit Brush
*	56039276	4	Carbon Brush	**	56505782	2	DynaGrit Brush
*	56397048	1	Brush Board	**	56505783	2	AgLite Grit Brush
23	56035313	1	Weld't, Brush Head (CMAX™ 28ST / BA 750ST)	**	56505784	2	Prolene Brush
	56035078	1	Weld't, Brush Head (BA 850ST)	**	56505785	2	ProLite Brush
24	56056987	1	Shaft, Steel (CMAX™ 28ST / BA 750ST)	**	56505786	2	Union Mix Brush
	56056474	1	Shaft, Steel (BA 850ST)	**	56505787	2	MidGrit Brush
25	56396045	4	Arm	**	56505788	2	MidLite Brush
26	56396049	1	Lift Actuator Assy (#37-45)	**	56182058	2	Lock Collar, Snap
27	56396066	1	Yoke, Actuator	**	56393567	2	Lock Collar, Thrd
28	56396080	1	Lug, Counterclockwise (#46-53)				* = Not Shown
29	56396081	1	Lug, Clockwise (#46-53)				** = Not Included (optional)
30	56396195	2	Hose, PVC (CMAX™ 28ST / BA 750ST)				NOTE #1: All Lug Assembly quantities are for one assembly only.
	56397301	1	Hose, PVC (BA 850ST)				
31	56396196	8	Bushing (qty of 4 on BA 850ST)				
32	56396198	4	Bushing (BA 850ST only)				
34	56314031	2	Hub, Drive				
35	56397112	2	Shroud, Motor				
36	56397300	1	Tee, Barb				
			Lift Actuator Assembly				
37	56009019	2	Scr, Hex Thd Form 1/4-20 x .38				
38	56009062	4	Scr, Pan Phil Thd Form 1/4-20 x .50				
39	56393303	1	Actuator, Motor				
*	56393790	2	Limit Switch				
*	56470433	1	Carbon Brush Kit				
*	56388520	1	Plastic Nut				
40	56412071	1	Compression Spring				
41	56412262	1	Housing, Spring TSBUS2002-811				
42	56420018	1	Compression Spring				
43	56420019	1	Nut Retainer				
44	56420020	1	Nut Retainer				
45	56396268	1	Spring Housing Guide				

CMAX 28ST / BA 750ST

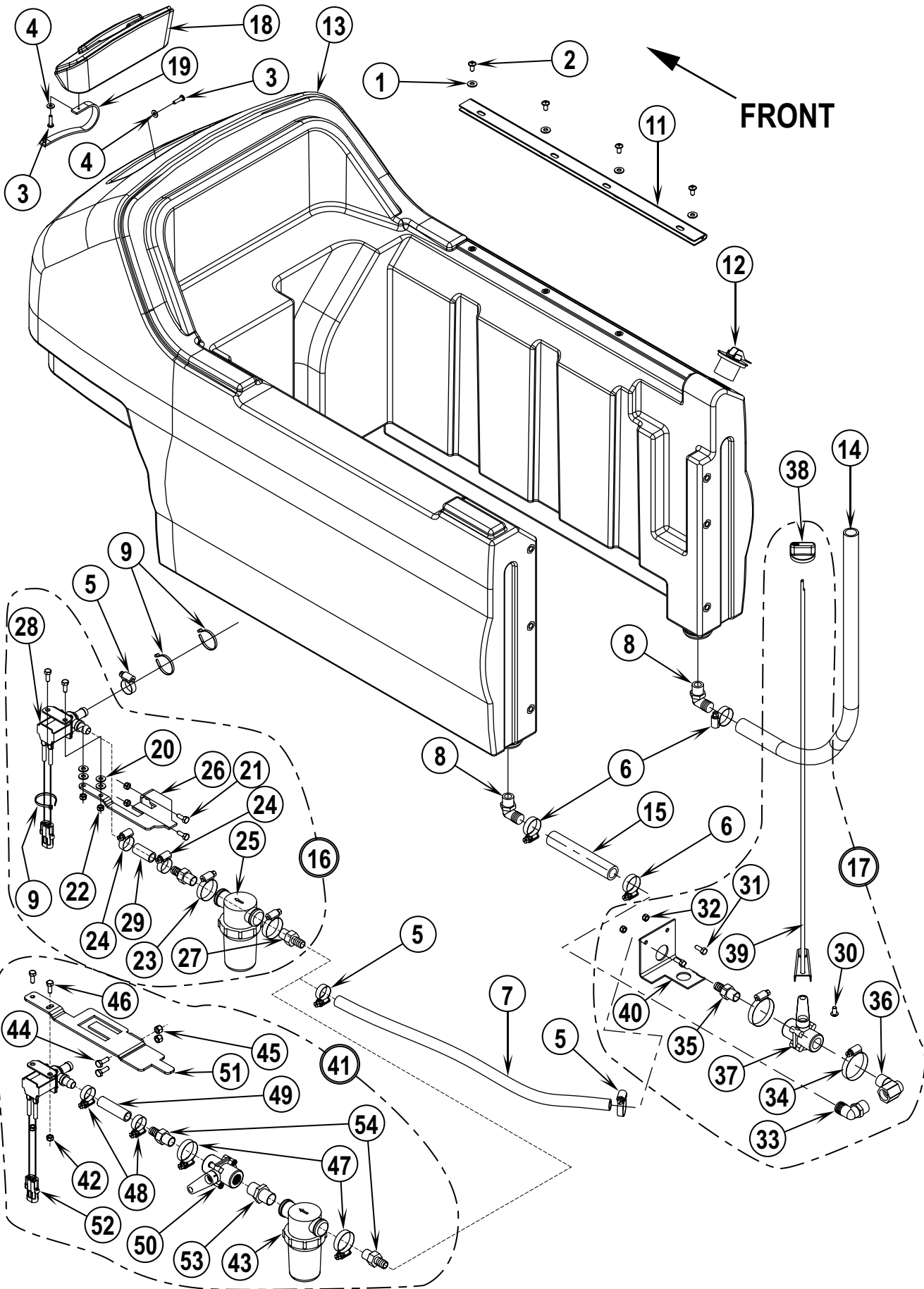


BA 850ST



SCRUB SYSTEM SKIRTS**BOOK E****CMAX™ 28ST / BA 750ST / BA 850ST****E****11.6.1****17**

Item	Ref. No.	Qty	Description	Item	Ref. No.	Qty	Description
			CMAX 28ST / BA 750ST				BA 850ST
	56396261	1	Assy, Brush Cover, Left (#1-8)	56397510	1	Assy, Brush Cover, Left (#1-8)	
	56396262	1	Assy, Brush Cover, Right (#3, 4 & 9-14)	56397511	1	Assy, Brush Cover, Right (#3, 4 & 9-14)	
1	56002816	2	Scr, Flt Phil 6-32 x .50	1	56002816	2	Scr, Flt Phil 6-32 x .50
2	56002907	2	Nut, Hex Nyl Loc SS 6-32	2	56002907	2	Nut, Hex Nyl Loc SS 6-32
3	56003426	9	Nut, Hex Nyl Loc SS M6-1.00	3	56003426	10	Nut, Hex Nyl Loc SS M6-1.00
4	56003431	9	Scr, Hex Hd SS M6-1.00 x 16mm	4	56003431	10	Scr, Hex Hd SS M6-1.00 x 16mm
5	56471194	1	Latch Assy	5	56471194	1	Latch Assy
6	56396005	1	Blade, Left	6	56397019	1	Blade, Left
7	56396007	1	Channel, Left	7	56397055	1	Channel, Left
8	56396294	1	Weld't, Brush Cover, Left	8	56397531	1	Weld't, Brush Cover, Left
9	56396291	1	Weld't, Brush Cover, Right	9	56397536	1	Weld't, Brush Cover, Right
10	56002625	1	Scr, Soc Shd .38 x 1.50 x 5/16-18	10	56002625	1	Scr, Soc Shd .38 x 1.50 x 5/16-18
11	56228102	1	Wheel	11	56228102	1	Wheel
12	56002826	1	Nut, Hex Nyl Loc-Thin 5/16-18	12	56002826	1	Nut, Hex Nyl Loc-Thin 5/16-18
13	56396006	1	Channel, Right	13	563977044	1	Channel, Right
14	56396004	1	Blade, Right	14	56397014	1	Blade, Right

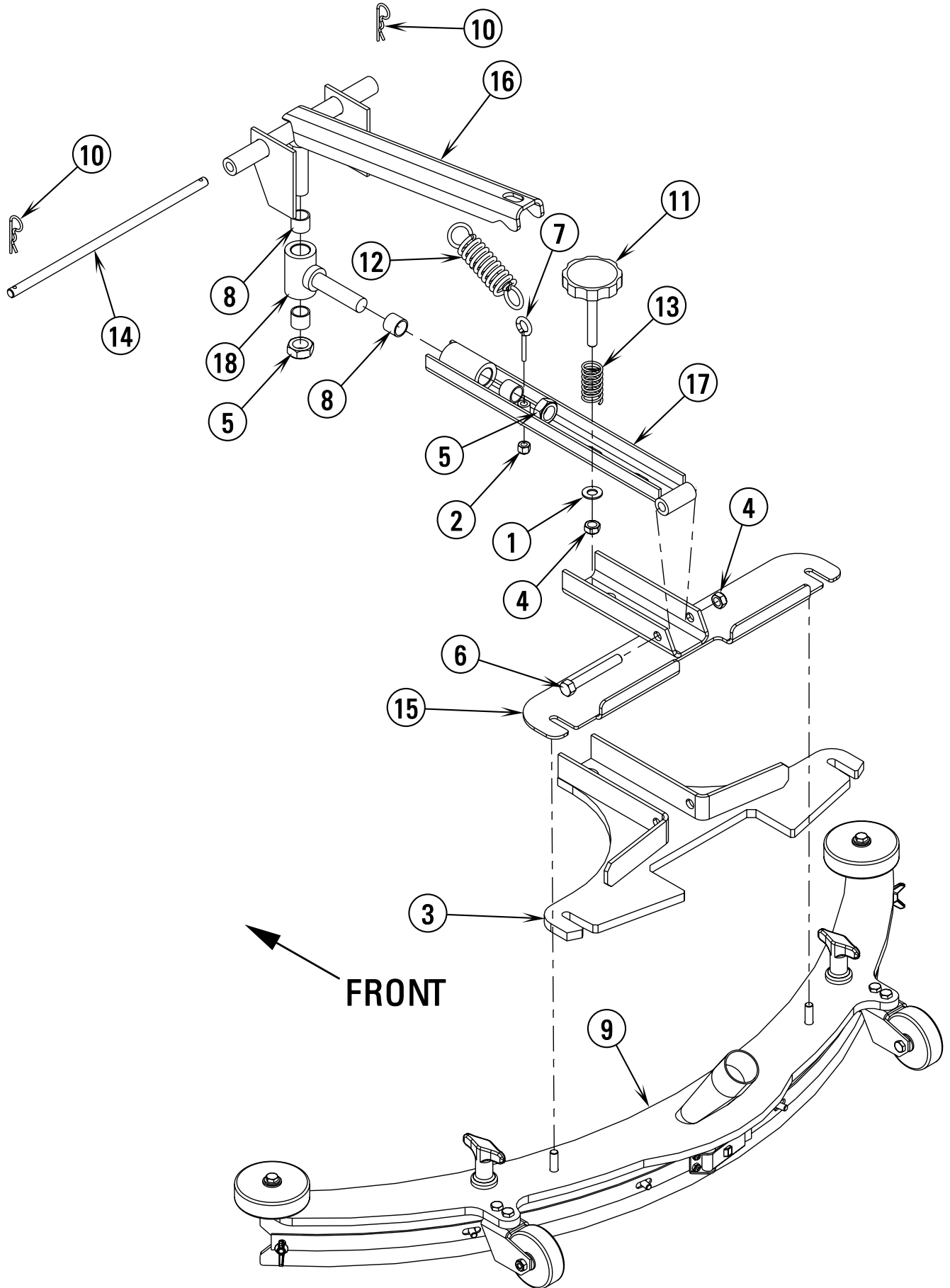


02-2	SOLUTION SYSTEM	BOOK E		
04-3	CMAX™ 28ST / BA 750ST / BA 850ST	E	11.6.1	19

Item	Ref. No.	Qty	Description	Item	Ref. No.	Qty	Description
1	56002859	4	Wsh, Flt SAE SS 1/4	41	56396512	1	Assembly, Filter (#42-54) NOTE 2
2	56003119	4	Scr, Pan Phil SS 1/4-20 x .50	42	56003403	2	Nut, Hex Nyl Loc M6-1.00
3	56009005	2	Scr, Pan Phil SS Type B 10-16 x .75	43	56412173	1	Solution Filter
4	56009205	2	Wsh, Flt SS #10	44	56002155	2	Scr, Hex Hd 1/4-20 x .75
5	56219932	3	Clamp, Hose SAE #6	45	56002708	2	Nut, Hex Nyl Loc 1/4-20
6	56244969	3	Clamp, Hose SAE #12	46	56003174	2	Scr Hex Thd To Hd M6-1.0 x 16mm
7	56324249	1	Hose, Spiral .50 (24") NOTE 1	47	56131601	2	Clamp, Hose SAE #16
	56396513	1	Hose, Spiral .50 (17") NOTE 2	48	56219932	2	Clamp, Hose SAE #6
8	56456802	2	Barb, 90 Elbow 11/16 x 3/4NPT	49	56392347	1	Hose, PVC Clear 2.5 Inch
9	56478246	3	Tie, Cable	50	56396505	1	Valve, Solution
11	56056291	1	Hinge	51	56396511	1	Bracket, Flow Valve
12	56057852	1	Plug, Expansion	52	56397203	1	Solenoid Valve Assy.
13	56396024	1	Tank, Solution	53	56412182	1	Nipple, Hex 3/4-14
14	56396143	1	Hose, .75 Clear PVC	54	56412184	2	Barb, Adapter 1/2 x 1/2 NPT
15	56396266	1	Hose, .75 Clear PVC				
16	56396277	1	Assembly, Filter ST (#20-29) TSBUS2003-835 NOTE 1				
	56396096	1	Assembly, Filter (#20-29) TSBUS2003-835 NOTE 1				
17	56396309	1	Assembly, Ball Valve (#30-40)				
18	56397021	1	Lid, Solution				
19	56397167	1	Strap, Retaining				
			Filter Assembly NOTE 1				
20	56002098	4	Wsh, Flt SAE 1/4				
21	56003174	4	Scr, Hex Thd To Hd M6-1.00 x 16mm				
22	56003403	4	Nut, Hex Nyl Loc M6-1.00				
23	56131601	2	Clamp, Hose SAE #16				
24	56219932	2	Clamp, Hose SAE #6				
25	56260905	1	Strainer TSBUS2003-835				
	56412173	1	Solution Filter TSBUS2003-835				
26	56396068	1	Filter Bracket				
27	56397145	2	Barb, Hose Female TSBUS2003-835				
	56412184	2	Barb, Adapter 1/2 x 1/2NPT TSBUS2003-835				
28	56397203	1	Solenoid Valve Assembly				
29	56396330	1	Hose, PVC Clear TSBUS2003-835				
	56397217	1	Hose, PVC Clear TSBUS2003-835				
			Valve Assembly				
30	56003119	1	Scr, Pan Phil SS 1/4-20 x .50				
31	56003174	2	Scr, Hex Thd To Hd M6-1.00 x 16mm				
32	56003403	2	Nut, Hex Nyl Loc M6-1.00				
33	56244985	1	Barb, 90 Elbow 3/4 x 1/2NPT				
34	56329145	2	Clamp, Hose SAE #24				
35	56412184	1	Barb, Adapter 1/2 x 1/2NPT				
36	56055071	1	Elbow, Street				
37	56057830	1	Valve, Ball				
38	56396201	1	Knob				
39	56396310	1	Flow Valve Weldment				
40	56396314	1	Bracket, Water Valve				

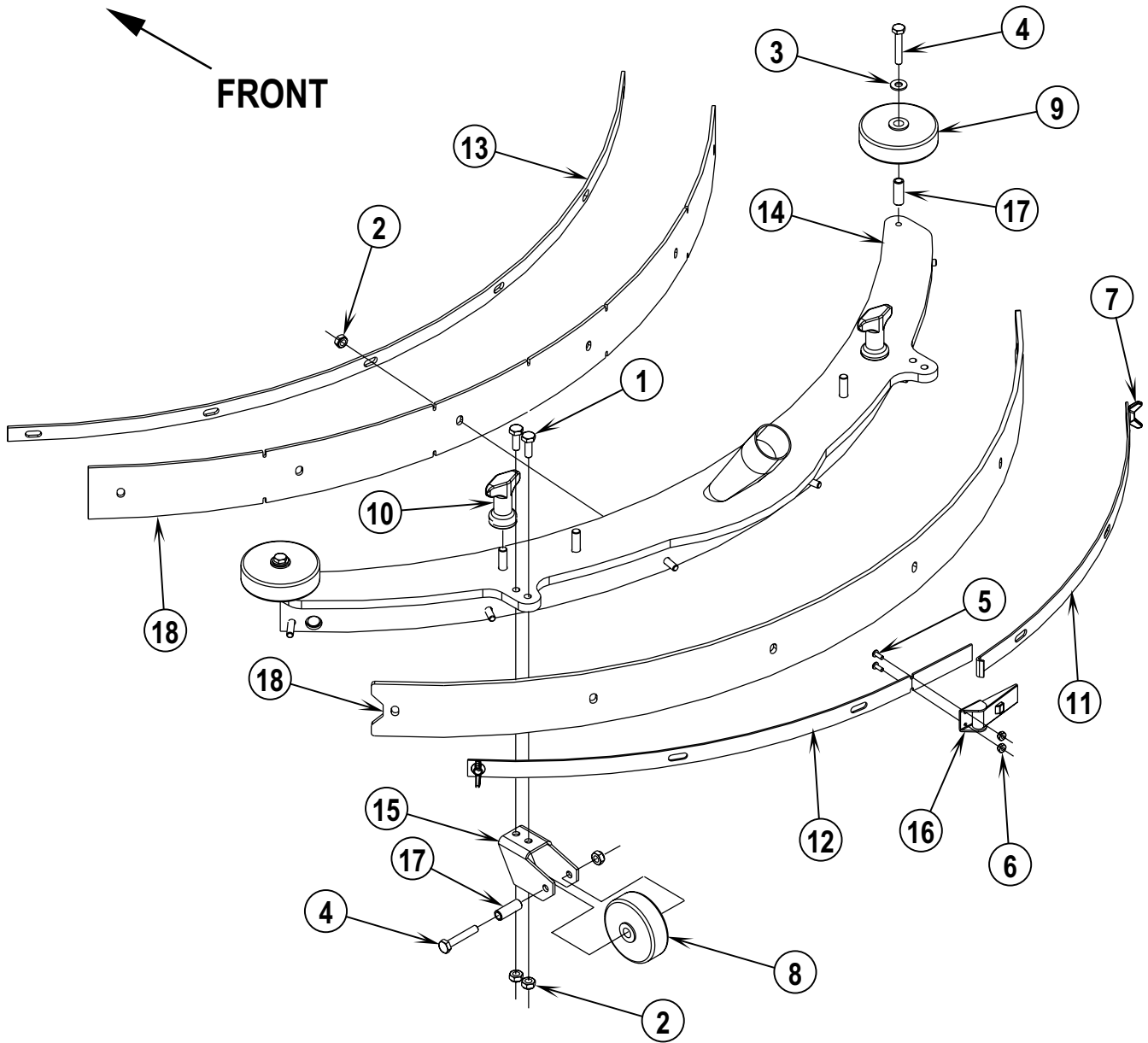
NOTE 1: Items used on (BA 750 ST before SN 1736969, BA 850 ST before SN 1736974, CMAX before SN 1736954).

NOTE 2: Items used on (BA 750 ST after SN 1736968, BA 850 ST after SN 1736973, CMAX after SN 1736953).



02-2	SQUEEGEE SYSTEM	BOOK E		
02-11	CMAX™ 28ST / BA 750ST / BA 850ST	E	11.6.1	21

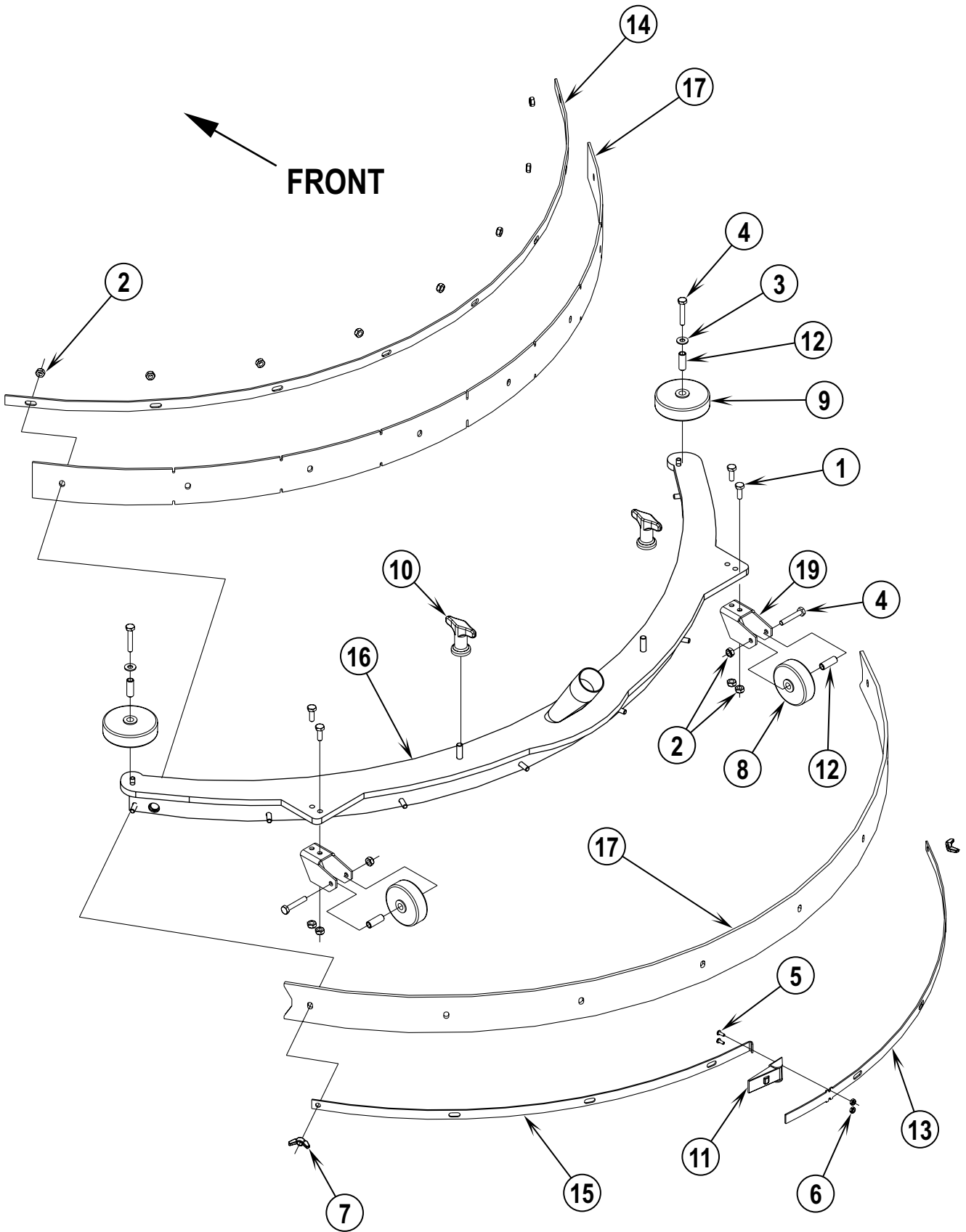
Item	Ref. No.	Qty	Description
1	56002910	1	Wsh, Flt SAE SS 3/8
2	56002708	1	Nut, Hex Nyl Loc 1/4-20
3	56397356	1	Weld't, Squeegee Mount (BA 850ST)
4	56002852	2	Nut, Hex Nyl Loc-Thin SS 3/8-16
5	56002855	2	Nut, Hex Nyl Loc-Thin SS 5/8-11
6	56002903	1	Scr, Hex Hd SS 3/8-16 x 2.75
7	56009220	1	Bolt, Eye 1/4-20 x 1.38
8	56367389	4	Bearing, Sleeve
9	56391281	1	Squeegee Assy (CMAX 28ST / BA 750ST)
	56397349	1	Squeegee Assy (BA 850ST)
10	56003120	2	Pin, Cotter Hair .0915 x .375
11	56035163	1	Assy, Knob, Adjustment
12	56051136	1	Spring, Ext.
13	56056585	1	Compression Spring
14	56056977	1	Shaft
15	56396053	1	Weld't, Squeegee Mount (CMAX 28ST / BA 750ST)
16	56396061	1	Weld't, Squeegee Lift
17	56396076	1	Squeegee Bar Weld't.
18	56396085	1	Squeegee Pivot Weld't.



02-2	SQUEEGEE ASSEMBLY-CMAX 28ST/BA 750ST	BOOK E		
04-3	CMAX™ 28ST / BA 750ST / BA 850ST	E	11.6.1	23

Item	Ref. No.	Qty	Description
	56391281	1	Squeegee Assy (CMAX 28ST / BA 750ST)
1	56002807	4	Scr, Hex Hd SS 1/4-20 x .75
2	56002850	12	Nut, Hex Nyl Loc-Thin SS 1/4-20
3	56002859	2	Wsh, Flt SAE SS 1/4
4	56002901	4	Scr, Hex Hd SS 1/4-20 x 1.50
5	56002909	2	Scr, Pan Phil SS 6-32 x .38
6	56002964	2	Nut, Hex Nyl Loc-Thin SS 6-32
7	56009048	2	Nut, Wing Loc 1/4-20
8	56324350	2	Wheel
9	56324499	2	Wheel 3.00
10	56370711	2	Nut, Thumb
11	56391286	1	Strap, Rear Right
12	56391288	1	Strap, Rear Left
13	56391290	1	Strap, Front
14	56391292	1	Tool Weldment
15	56409656	2	Bracket, Wheel
16	56471194	1	Latch
17	56471220	4	Bushing, .25 x .37 x 1.00
18	56391340	1	Blade Kit (Gum Rubber)
**	56391342	1	Oil Resistant Blade Kit (Neoprene)
**	56396172	1	Blade Kit (Linatex)
**	56397325	1	Blade, Front-Tile Gum
**	56397326	1	Blade, Front-Tile Linatex

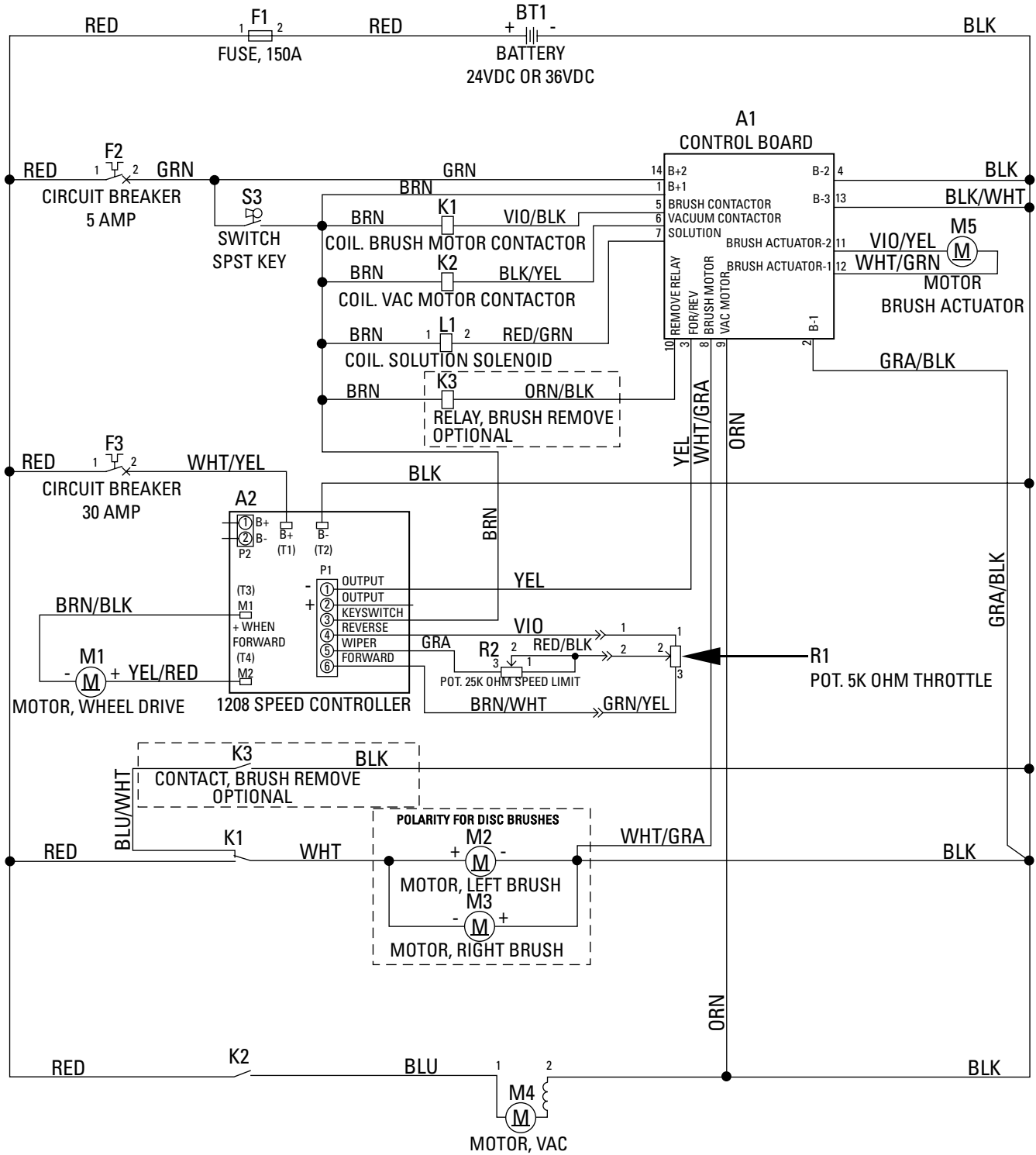
** = Optional



02-2	SQUEEGEE ASSEMBLY-BA 850ST	BOOK E		
04-3	CMAX™ 28ST / BA 750ST / BA 850ST	E	11.6.1	25

Item	Ref. No.	Qty	Description
	56397349	1	Squeegee Assy (BA 850ST)
1	56002807	4	Scr, Hex Hd SS 1/4-20 x .75
2	56002850	14	Nut, Hex Nyl Loc-Thin SS 1/4-20
3	56002859	2	Wsh, Flt SAE SS 1/4
4	56002901	4	Scr, Hex Hd SS 1/4-20 x 1.50
5	56002909	2	Scr, Pan Phil SS 6-32 x .38
6	56002964	2	Nut, Hex Nyl Loc-Thin SS 6-32
7	56009048	2	Nut, Wing Loc 1/4-20
8	56324350	2	Wheel
9	56324499	2	Wheel 3.00
10	56370711	2	Nut, Thumb
11	56471194	1	Latch Assembly
12	56471220	4	Bushing .25 x .37 x 1.0
13	56397353	1	Strap, Rear
14	56397354	1	Strap, Front
15	56397355	1	Strap, Rear
16	56397359	1	Squeegee Tool Weldment
17	56397094	1	Blade Kit (Gum Rubber)
18			Intentionally Omitted
19	56409656	2	Bracket, Wheel
**	56397106	1	Blade Kit (Linatex)
**	56397595	1	Blade Kit (Oil Resistant)
**	56397147	1	Blade, Front-Tile Gum
**	56397148	1	Blade, Front-Tile Linatex

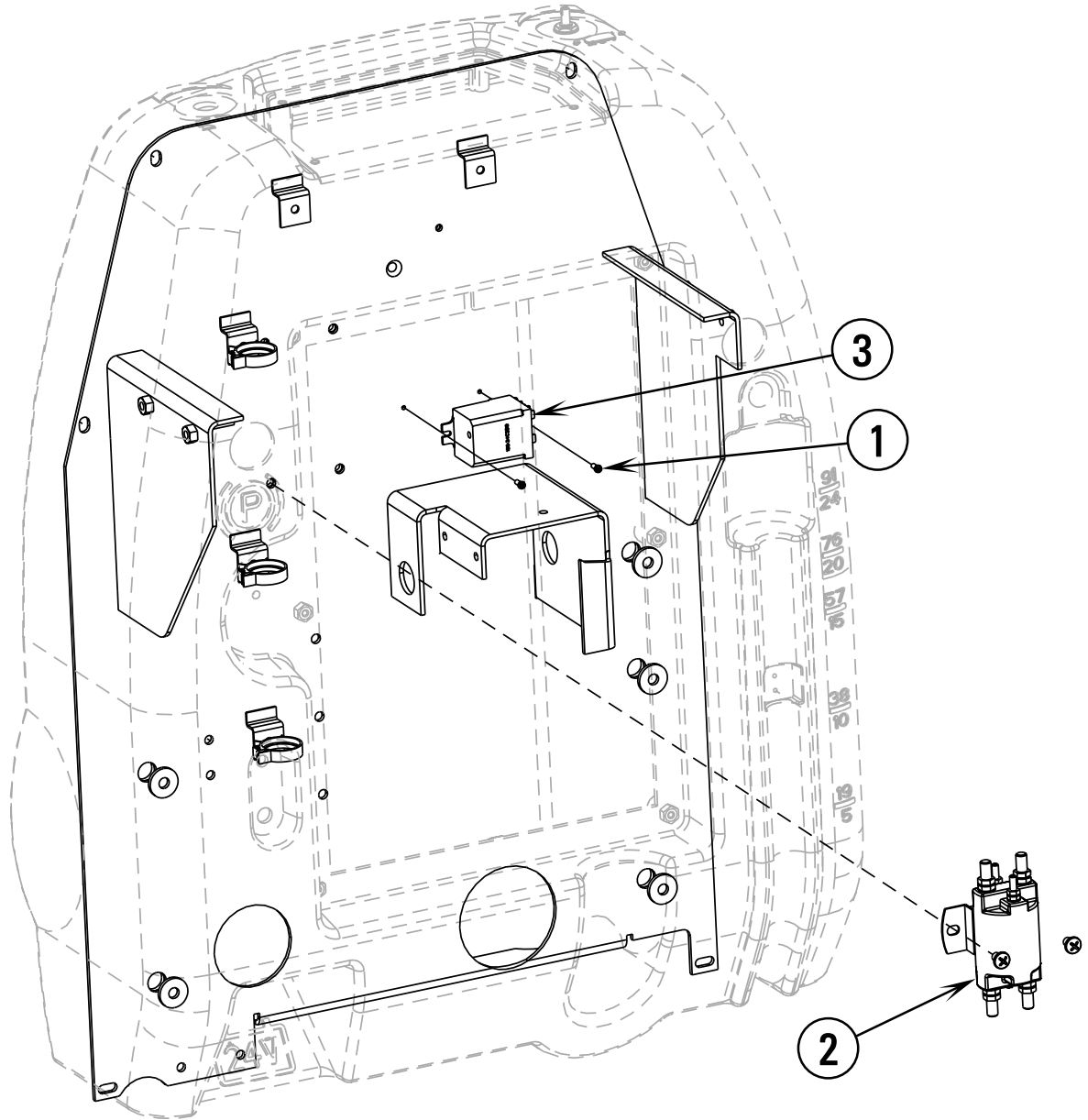
** = Optional



02-2	WIRING DIAGRAM	BOOK E		
03-3	CMAX™ 28ST / BA 750ST / BA 850ST	E	11.6.1	27

Item	Ref. No.	Qty	Description
A1	56396300	1	Control PCB Assy
A2	56324023	1	Control, DC Curtis
BT1	N/A	A/R	Batteries
F1	56412089	1	Fuse, 150A
F2	56387328	1	Circuit Breaker, 5A (Controls)
F3	56026198	1	Circuit Breaker, 30A (Wheel Drive)
K1	56412179	1	Contactor (Brush Motor)
	56397088	1	Contactor (Replaces 56412179 for Brush Remove Option)
K2	56412179	1	Contactor (Vac Motor)
K3	56396286	1	Relay (Brush Remove/Optional)
L1	56397203	1	Solution Solenoid Valve Assy
M1	56396311	1	Motor, 24VDC 1/2 HP (Wheel Drive)
*	56039276	4	Carbon Brushes
M2	56027153	1	Asm, Motor and Gear Unit, 24V (Left Brush)
*	56397090	1	Bearing, B.E.
*	56397135	1	Bearing, F.E.
*	56397138	4	Brush Spring
*	56039276	4	Carbon Brush
*	56397048	1	Brush Board
M3	56027153	1	Asm, Motor and Gear Unit, 24V (Right Brush)
*	56397090	1	Bearing, B.E.
*	56397135	1	Bearing, F.E.
*	56397138	4	Brush Spring
*	56039276	4	Carbon Brush
*	56397048	1	Brush Board
M4	56397041	1	Vac Motor Assembly
*	56397098	1	Carbon Brush Set
M5	56393303	1	Actuator, Motor (Brush Lift)
*	56393790	2	Limit Switch
*	56470433	1	Carbon Brush Kit
*	56388520	1	Plastic Nut
R1	56397029	1	Potentiometer, 5K (Throttle)
R2	56397123	1	Potentiometer, 25K (Speed Limit)
S3	56396305	1	Switch, SPST Toggle (Main Power)
*	56396283	1	Harness, Main
*	56396299	1	Harness, Handle
*	56416445	3	Cable Assy 4 AWG (Battery Interconnect)
*	56396202	1	Connector Assy (TSBUS2003-841) (Connects to Batteries)
*	56396203	1	Connector Assy (Connects to Machine)

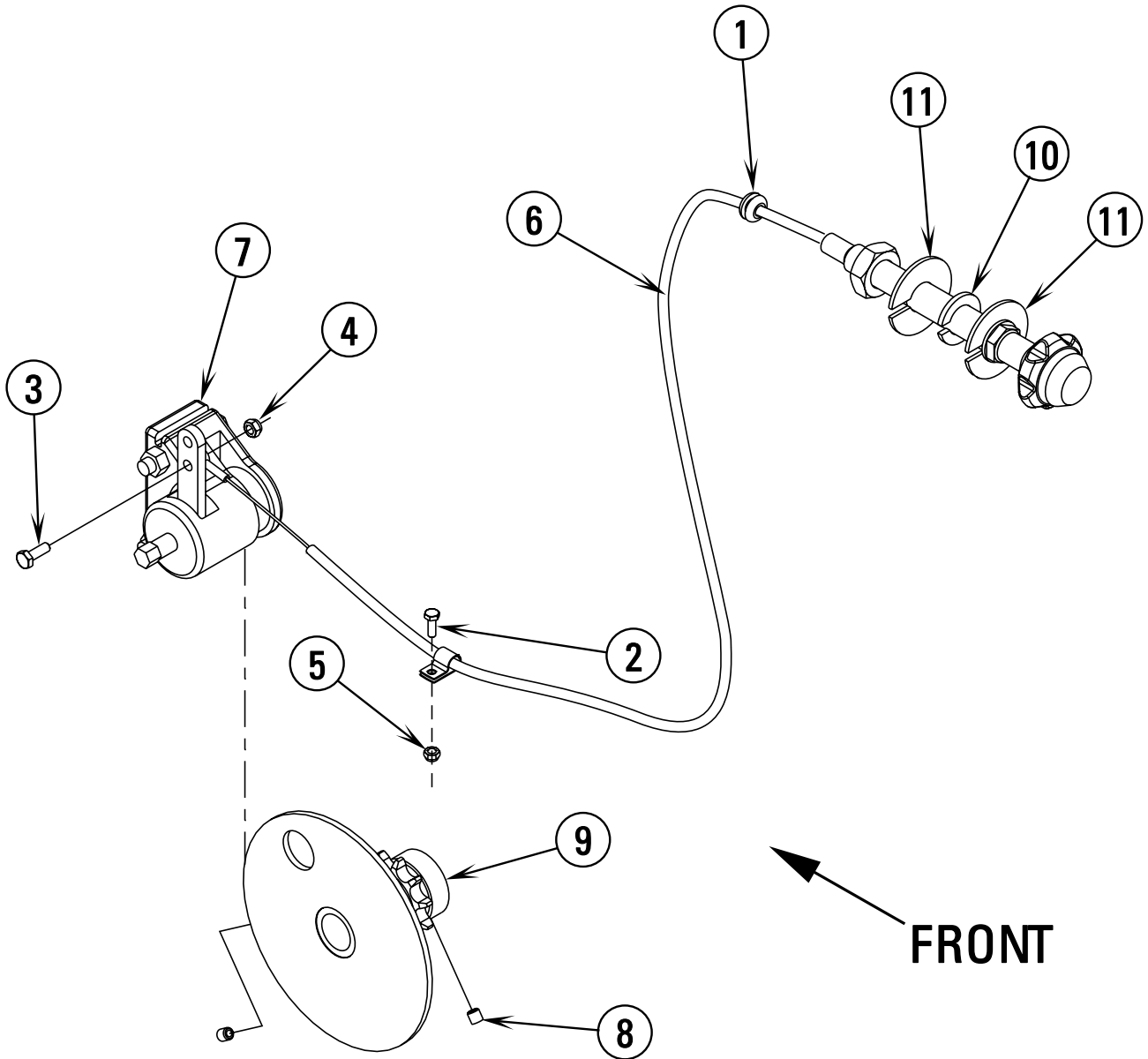
* = Not Shown



02-2	BRUSH CLICK-OFF KIT	BOOK E		
02-4	CMAX™ 28ST / BA 750ST / BA 850ST	E	11.6.1	29

Item	Ref. No.	Qty	Description
	56396301	1	Kit, Brush Click-Off
1	56002539	2	Scr, Pan Phil Thd Form 6-32 x .31
2	56397088	1	Contactora, 24V, SPDT
3	56396286	1	Relay, 24V, SPST
*	56040762	1	Instruction Sheet

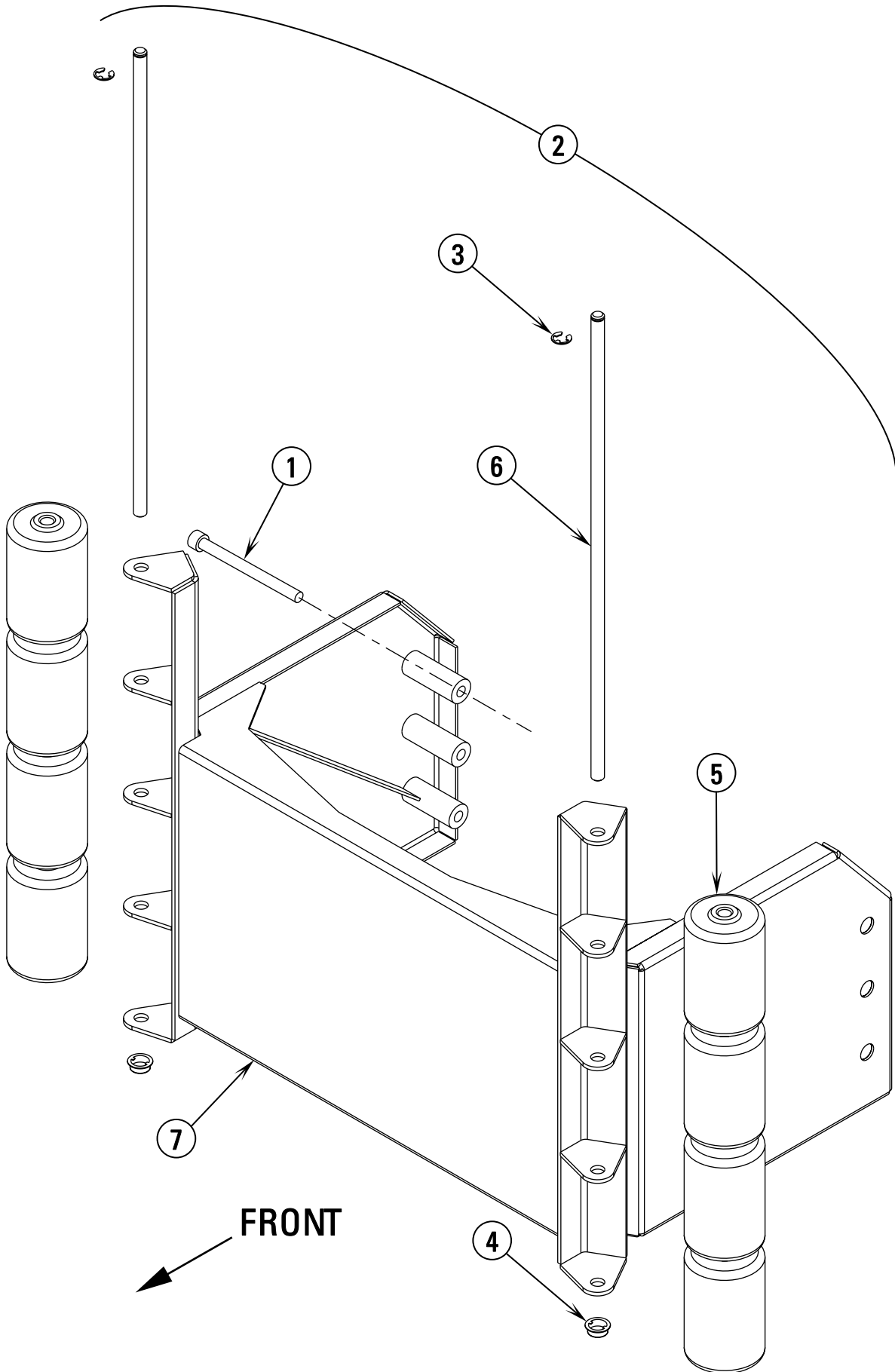
* = Not Shown



02-2	PARKING BRAKE KIT	BOOK E		
02-4	CMAX™ 28ST / BA 750ST / BA 850ST	E	11.6.1	31

Item	Ref. No.	Qty	Description
	56396302	1	Kit, Parking Brake
1	56321559	1	Grommet
2	56002503	1	Scr, Hex Hd 10-24 x .50
3	56003358	1	Scr, Hex M6-1.00 x 25mm
4	56003403	1	Nut, Hex Nyl Loc M6-1.00
5	56002768	1	Nut, Hex Nyl Loc 10-24
6	56056323	1	Cable, Brake Assembly
7	56056245	1	Brake, Mechanical Caliper
8	56001841	2	Scr, Soc Set Loc 1/4-20 x .25
9	56396326	1	Sprocket Weldment
10	56396329	1	Plate, Brake Align
11	56396328	2	Plate, Brake Mount
*	56040763	1	Instruction Sheet

* = Not Shown



02-2	INDUSTRIAL BUMPER KIT	BOOK E		
02-4	CMAX™ 28ST / BA 750ST / BA 850ST	E	11.6.1	33

Item	Ref. No.	Qty	Description
	56396307	1	Kit, Industrial Bumper
1	56003542	6	Scr, Soc Hd 3/8-16 x 3.00
2	56396134	1	Assembly, Industrial Bumper (#3-7)
3	56003264	2	Ring, Ret Ext Type E .50 dia
4	56009097	2	Nut, Push Cap 1/2
5	56392102	8	Roller
6	56392809	2	Rod
7	56396133	1	Weldment, Bumper Industrial
*	56040764	1	Instruction Sheet

* = Not Shown

We manufacture brushes and pad holders that will give you the best possible performance between machine and floor. Following are descriptions of the materials and their applications.

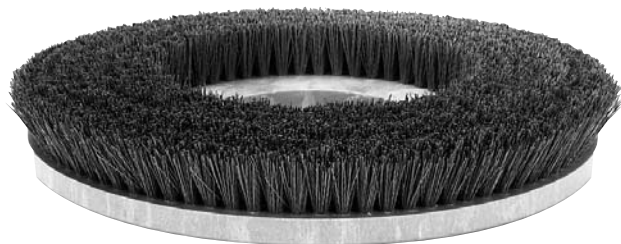
- Union Mix:** Medium grade natural fibers for polishing finished floors with standard-speed equipment. Recommended for use in place of white pads.
- ProLite:** Bristles are made from light-duty polypropylene for general scrubbing when you do not want to scratch or remove finish from the floor. Recommended for use in place of red pads.
- Prolene:** Polypropylene material for medium-duty scrubbing on concrete, terrazzo and vinyl floor tile. Recommended for use in place of green or blue pads.
- Magna Grit:** For extreme heavy-duty scrubbing or stripping of floors. This brush has extra large diameter silicon carbide grit impregnated synthetic bristles. Recommended for use in place of black pads.
- Dyna Grit:** For aggressive, heavy-duty scrubbing or stripping of floors. Recommended for use in place of brown pads.
- MidLite Grit:** For general purpose scrubbing of sealed or unsealed concrete, stone, terrazzo, quarry tile and other resilient hard floor surfaces. Recommended for use in place of green or blue pads.
- MidGrit:** For general purpose scrubbing when you need a lighter action for sealed or unsealed concrete, stone, terrazzo, quarry tile and other resilient hard floor surfaces. Recommended for use in place of green or blue pads.
- AgLite Grit:** For light scrubbing when used wet; buffing or polishing when used dry on urethane coated, sealed concrete or other resilient hard surface floors. Recommended for use in place of red or white pads.
- Short Trim Pad Holder:** Made with a structural foam block and center ring for correct pad centering. It has a "shower feed" design for getting solution to the floor.

Ref. No.: CMAX 28ST / BA 750ST BRUSHES

- 56505770 - Pad Holder
- 56505771 - Magna Grit
- 56505772 - Dyna Grit
- 56505773 - AgLite Grit
- 56505774 - Prolene
- 56505775 - ProLite
- 56505776 - Union Mix
- 56505777 - Mid Grit
- 56505778 - MidLite Grit

Ref. No.: BA 850ST BRUSHES

- 56505780 - Pad Holder
- 56505781 - Magna Grit
- 56505782 - Dyna Grit
- 56505783 - AgLite Grit
- 56505784 - Prolene
- 56505785 - ProLite
- 56505786 - Union Mix
- 56505787 - Mid Grit
- 56505788 - MidLite Grit



DANMARK

Nilfisk-Advance Nordic A/S
Sognevej 25 - Box 344
DK-2605 Broendby
☎ 43 23 83 50 – Fax 43 42 15 95

NORGE

Nilfisk-Advance AS
Enebakkvn, 119, 0680 Oslo, Postboks 196, Manglerud,
0612 Oslo
☎ 22 08 63 50 – Fax 22 08 63 63
Distriktsrepresentanter over hele landet

SVERIGE

Nilfisk-Advance AB
Sjöbjörnsvägen 5, 117 67 Stockholm
☎ 085 55 944 00 – Fax 085 55 944 30

FINLAND/ SUOMI

BERNER Ltd. Facotek Department
Etäleranta 4B, 00130 Helsinki
☎ +358 9 1345 1382

AUSTRALIA

Nilfisk-Advance Pty. Ltd.
48 Egerton Street
Silverwater NSW 2128
☎ (02) 8748 5905 – Fax (02) 9648 2711
Customer Responce Centre:
☎ 1 800 011 013

BELGIQUE / BELGIË/ LUXEMBOURG

Nilfisk-Advance s.a./n.v.
Doornveld/ Sphere Business Park
Industrie Asse 3, nr 11 – bus 41
1731 Zellik-Asse
☎ (02) 467.60.50 Fax (02) 463.44.16

CANADA

Nilfisk-Advance Ltd.
396 Watline Avenue
Mississauga, Ontario L4Z 1X
☎ (905) 712-3260 – Fax (905) 712-3255

DEUTSCHLAND

Nilfisk-Advance AG
Siemensstraße 25-27
25462 Rellingen
☎ (041 01) 3990 – Fax (04101) 399191
Zentraler Kundenservice
☎ für die Industrie: 0180 535 67 97
☎ Institutionen und Gebäudereiniger: 0180 500 11 70

FRANCE

Nilfisk-Advance S.A.
BP 246
91944 Courtaboeuf Cedex
☎ (01) 69.59.87.00 Télécopie (01) 69.59.87.01

HONG KONG

Nilfisk-Advance Ltd.
2001, 20/F HK Worsted Mills
Industrial Building
31-39 Wo Tong Tsui Street
Kwai Chung, N.T.
☎ 2427 59 51 – Fax 2487 5828

IRELAND

Nilfisk-Advance Ltd.
28 Sandford Office Park
Dublin 18
☎ +353 1 2943838 – Fax +353 1 2943845

JAPAN

Nilfisk-Advance Inc.
3-4-9 Chigasaki Minami
Tsuzuki-Ku Yokohama 224 0037
☎ 045-942-7741 – Fax 045-942-6545

MALAYSIA

Nilfisk-Advance Sdn Bhd
Lot 2, 1st. Floor
Lorong 19/1A
46300 Petaling Jaya
Selangor Darul Ehsan
☎ 03-7568188/03-7568189/03-7568388 – Fax 03-7566828

NEDERLAND

Nilfisk-Advance B.V.
Flevolaan 7, Postbus 341
1380 AH Weesp
☎ 0294-462121 – Fax 0294-430053

NEW ZEALAND

Nilfisk-Advance Limited
477 Great South Road, Penrose
Auckland
☎ (09) 525 0092 – Fax (09) 525 6440

SCHWEIZ / SUISSE

Nilfisk-Advance AG
Ringstrasse 19, 9533 Kirchberg/Wil
☎ 719 23 52 83 – Fax 719 23 84 44

SINGAPORE

Nilfisk-Advance Pte. Ltd.
22, Woodlands Industrial Park E1
Singapore 757740
☎ (65) 759 9100 – Fax (65) 759 9133

TAIWAN

Nilfisk-Advance Ltd.
1 F, No.23, Lane 132, Sec. 2
Ta An Road, Taipei
☎ 700 22 68 – Fax 784 08 43

UNITED KINGDOM

Nilfisk-Advance Limited
Newmarket Road
Bury St. Edmunds
Suffolk IP 33 3SR
☎ (01284) 763163 – Fax (01284) 750562

USA

Nilfisk-Advance Inc.
14600 21st Avenue North
Plymouth, MN 55447-3408
☎ +1 800 989 2235 – Fax 1 800 989 6566

Nilfisk-Advance of America, Inc.
300 Technology Drive
Malvern, PA 19355
☎ (610) 647 647-6427

ÖSTERREICH

Nilfisk-Advance GmbH
Vorarlberg Allee 46
1230 Wien
☎ 1 616 58 30 – Fax 1 616 58 30 40

ESPAÑA

Nilfisk-Advance, S.A.
Torre D'Ara
Passeig del Rengle, 5 Pl.9-10
E-08302 – Mataró (Barcelona)
☎ Tel. 93 741 24 00 – Fax: 93 757 80 20
Central atención al cliente: 902 200 201
nilfisk@nilfisk-advance.es – www.nilfisk-advance.com
Distribuidores y Servicio Técnico en toda España y Andorra

ITALIA

Nilfisk-Advance Italia Spa
Località Novella Terza
26862 Guardamiglio (LO)
Italy
☎ +39 0377 414067-54 – Fax +39 0377 414097
www.nilfisk-advance.com

PORTUGAL

Nilfisk-Advance Lda.
Rua Cândido de Figueiredo, 91-i, 1500-133 LISBOA
☎ 01/7784142 – Fax 01/7785613
Porto 02/526766 – Fax 02/520739
Açores 096/628092/3 – Fax 096/628129
Madeira 091/228965 – Fax 091/228796

GREECE

Embiom S.A.
Λεωφ. Βουλιαγμένης 60
Αργυρούπολη
164 52 Αθήνα
☎ 9950613 - Fax 9951680

