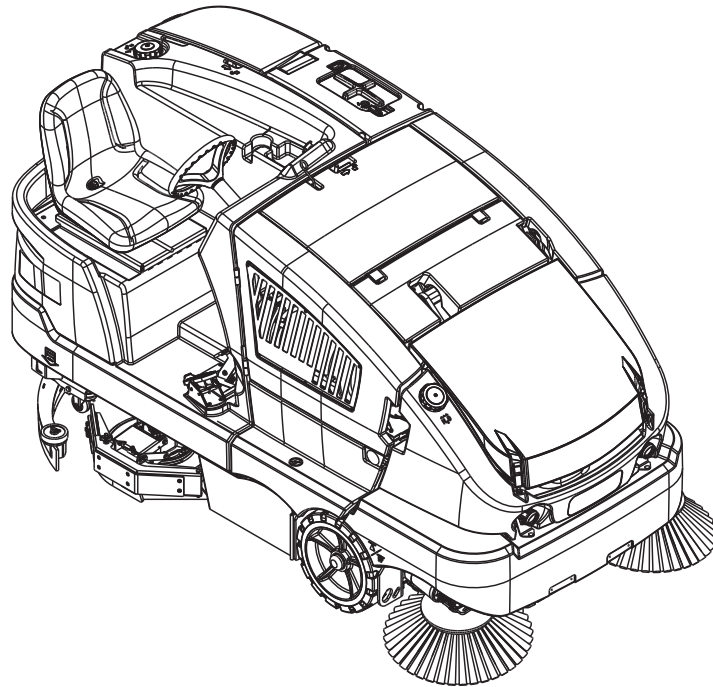


CS7000



PARTS LIST

**Models: 56509001(48 Diesel Hybrid), 56509002(48 Battery),
56511001(48 Gasoline/Petrol Hybrid EcoFlex),
56509007(48 Diesel Hybrid EcoFlex), 56509008(48 Battery EcoFlex),
56383115(48 Fuel Cell EcoFlex), 56511540(48 LPG LEV Hybrid),
56511541(48 LPG LEV Hybrid EcoFlex)**

**Obsolete Models: 56509000(48 LPG Hybrid),
56509006(48 LPG Hybrid EcoFlex)**



Advance

DESCRIPTION	PAGE
Chassis System-GASOLINE-PETROL-LPG & DIESEL.....	2-3
Chassis System-BATTERY.....	4-5
Chassis System-FUEL CELL.....	6-7
Chassis System-Front Engine Cover Assy.....	8-9
Chassis System-Fuel Cell Front Cover Assy.....	10-11
Chassis System-Engine Cover Assy.....	12
Chassis System-Fuel Cell Engine Cover Assy.....	13
Chassis System-Right Door Assy.....	14
Chassis System-Left Cover Assy.....	15
Chassis System-Pull Rod Assy.....	16-17
Chassis System-Fuel Cell Pull Rod Assy.....	18-19
Control System.....	20-21
Control System-Steering Assy.....	22-23
Control System-Brake Linkage Assy.....	24-25
Decal System.....	26-27
Dust Control System.....	28-29
EcoFlex™ Assembly.....	30-31
Electrical System.....	32-33
Electrical System-Circuit Breaker Panel Assy.....	34
Electrical System-Contactor Panel Assy.....	35
Engine System-Gasoline-Petrol.....	36-37
Engine Assy-Gasoline-Petrol.....	38-39
Engine Sub Assy-Gasoline-Petrol.....	40-41
Gasoline-Petrol Tank Assy.....	42-43
Engine System-LPG.....	44-45
Engine Assy-LPG.....	46-47
Engine Sub Assy-LPG.....	48-49
Engine System-LPG LEV.....	50-51
Power Unit-LPG LEV.....	52-53
Engine Assembly-LPG LEV.....	54-55
Engine Base-Replacement Parts-LPG LEV.....	56-57
LPG Tank Assy.....	58-59
Engine System-DIESEL.....	60-61
Engine Assy-DIESEL.....	62-63
Engine Sub Assy-DIESEL.....	64-65
Diesel Fuel Tank Assy.....	66-67
Hopper System-1.....	68-69
Hopper System-2.....	70-71
Hydraulic System.....	72-73
Main Broom System.....	74-75
Recovery System.....	76-77
Scrub System.....	78-79
Scrub System-Deck Assy.....	80-81
Scrub System-Right Skirt Assy.....	82
Scrub System-Left Skirt Assy.....	83
Side Broom System.....	84-85
Right Side Broom Arm Assy.....	86
Left Side Broom Arm Assy.....	87
Solution System-1.....	88-89
Solution System-2.....	90-91
Solution System-1-Fuel Cell.....	92-93
Solution System-2-Fuel Cell.....	94-95
Squeegee System.....	96-97
Squeegee Assy.....	98-99
Wheel System.....	100-101
Ladder Diagrams.....	102-116
Optional Kits & Accessories.....	117-118
Brush Selector Guide.....	119
Broom Selector Guide.....	120
Squeegee Blade Selector Guide.....	121

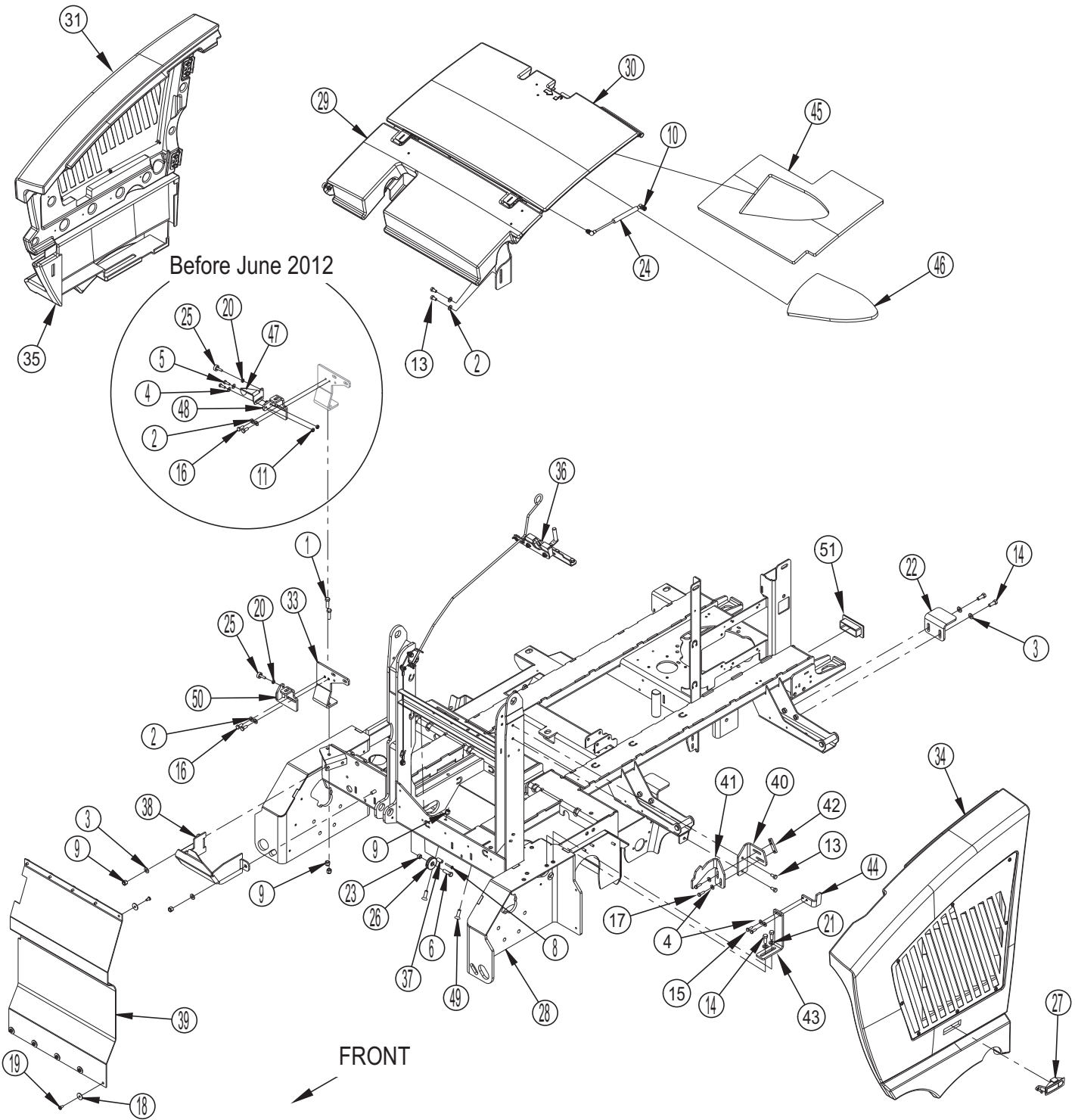
WHEN ORDERING PARTS

- * Use the part numbers from the "Ref. No." columns in this parts list. If the "Ref. No." column is blank; look under the "Kit" column to identify which kit contains the part in question, then use the kit callout, for example "K1", to find the "Ref. No." for that kit.

Kit	Item	Ref. No.	Qty	Description
K1	1		16	Washer Flat 3/16 Zinc Plat
K1	2		2	Screw-BHS-Brass-10-32x3/8-MS
K1	3		3	Washer EPDM 7/32 X 1/8
	4	805	1	Chain-Cover
	5	905	2	Caster Swivel 4 Gray Non MA
K1	6		2	Nut, Hex Nyl Loc 10-24
K1	7		3	Scr- Hex SS 1/4-20 X .75
K1	8		16	Scr, Hex Hd Loc 1/4-20 x .50
K1	9		3	Wsh, Flt SS .260 X 1.000 X .074
	10	56113012	1	Solution Tank
	11	56113034	2	Hinge Plate
K1	56113103		1	Kit-Hardware Solution Tank

- * Specify the model and serial number of the machine.
- * Use the space below to record the model and serial number for future reference.

Model _____ Serial No. _____



3-2011

CHASSIS SYSTEM-GASOLINE-PETROL-LPG & DIESEL

11-2016

CS7000**3**

Kit	Item	Ref. No.	Qty	Description
K2	1		2	Scr. Hex 3/8-16 X 1.25
K2.K3	2		6	Wsh. Flt SAE 5/16
K2	3		6	Wsh. Flt SAE 3/8
K2.K3	4		6	Wsh. Flt SAE 1/4 (QTY OF 4 AFTER MAY 2012)
K3	5		2	Scr. Hex 1/4-20 X .75 NOTE 1
K2	6		1	Scr. Hex 3/8-16 X 1.25
K2	8		1	Scr. Pan Phil Thd Form 10-24 X 1.25
K2	9		6	Nut-Hex Nyl Loc 3/8-16
K2	10		2	Nut. Hex Nyl Loc-Thin 5/16-18
K3	11		2	Nut. Hex Nyl Loc-Thin 1/4-20 NOTE 1
K2	13		6	Scr. Hex Hd Loc 5/16-18x.62
K2	14		6	Scr. Hex Hd Loc 3/8-16x1.00
K2	15		2	Scr. Hex Hd Loc 1/4-20x.75
K2.K3	16		2	Scr. Hex Hd Loc 5/16-18x.75
K2	17		2	Scr. Hex Hd Loc 1/4-20x.88
K1.K2	18		10	Wsh. Flt SS .260 X 1.000 X .074
K1.K2	19		10	Scr. Pan Phil Thd Form 1/4-20 X .50
K3	20		1	Nut. Hex Jam 1/4-20
K2	21		2	Wsh-Flt .406x.750x.090
	22	56511149	2	Bracket, Tank Stop
	23	56232181	1	Bushing
	24	56314206	1	Gas Spring
K3	25		1	Leg Leveler 1/4-20
	26	56416546	1	Shielded Pulley
	27	56418471	1	Door Latch
	28#		1	Chassis Weldt (not available for sale)
	29	56509411	1	Frt Engine Cover Assy NOTE 1
	#	56511740	1	Front Engine Cover Assy NOTE 2
	30	56511184	1	Engine Cover Assy
	31	56509630	1	Rt Door Assembly NOTE 1
		56511182	1	Right Door Assy NOTE 2
	33	56511153	1	Support-Panel
	34	56509851	1	Left Cover Assy
	35	56509881	1	Lower Cover Right
	36	56511183	1	Pull Rod Assy
	37	56509982	1	Bushing-.200 X .375 X .88
	38	56510125	1	Guard-Reservoir
K1	39		1	Shield-Dust
	40	56511172	1	Bracket
	41	56382941	1	Hanger-Side Panel
	42	56510587	1	Nut Plate
	43	56510717	1	Bracket
	44	56510723	1	Strike-Latch
	45	56510749	1	Foam Insulation
	46	56510750	1	Foam Insulation
K3	47		1	Strike-Latch NOTE 1
K3	48		1	Bracket NOTE 1
K2	49		2	Scr-Flt Soc 3/8-16 X 1.25 SS
K3	50		1	Bracket NOTE 2
	51	56511226	1	Plug-Tube 2.0 X 4.0

Service Kits

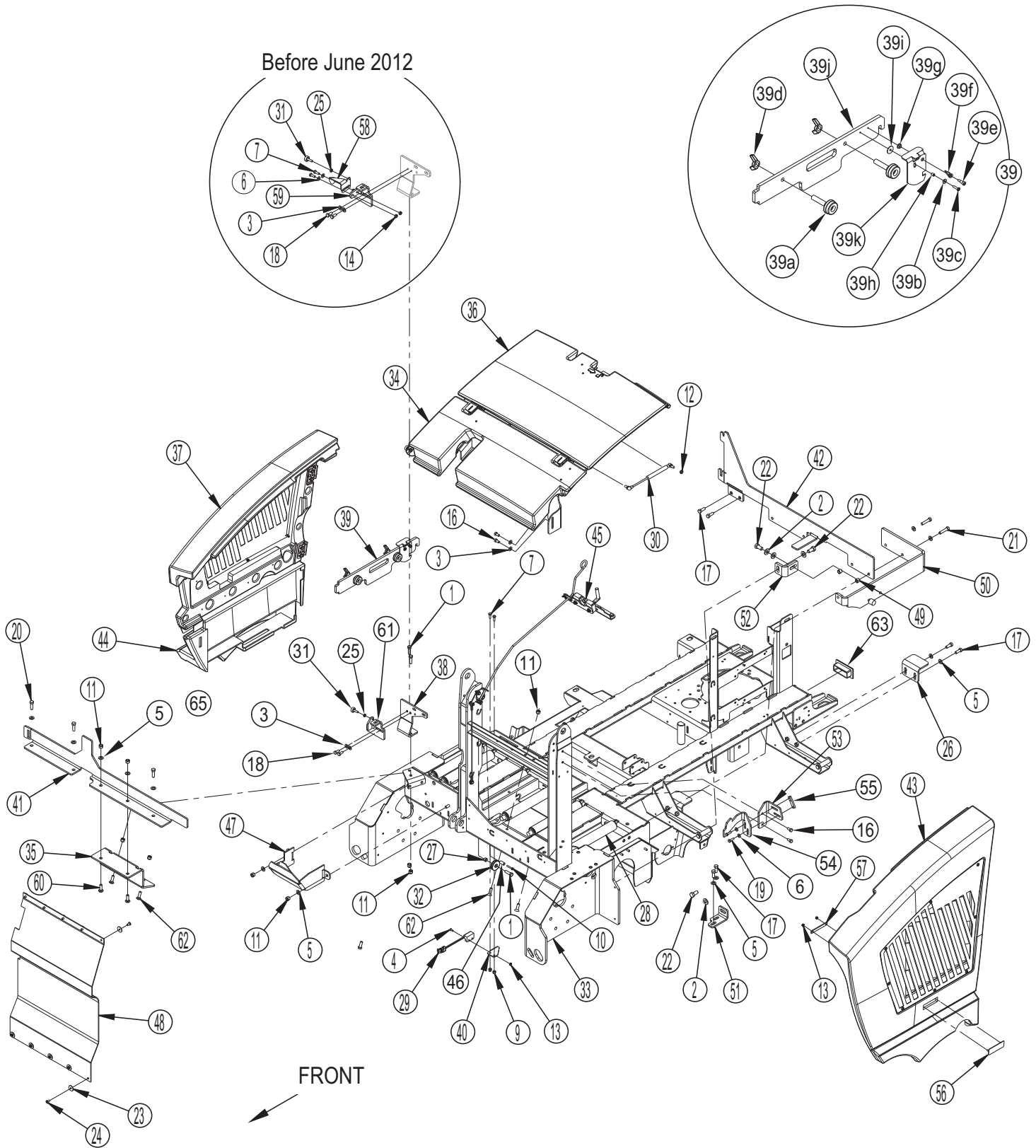
K1	56510735	1	Dust Shield Kit-Hopper
K2	56510776	1	Hardware Kit-Chassis NOTE 1
K2	56383006	1	Hardware Kit-Chassis NOTE 2
K3	56510827	1	Latch Kit-Right Door (includes 56510753 & 56510823 not shown here) NOTE 1
K3	56509013	1	Right Door Latch Kit NOTE 2

= Revised or new since last update

NOTE 1: Used before June 2012**NOTE 2:#** The Front Engine Cover Assy 56511181 used after May 2012 has been obsolete and replaced by Front Engine Cover Assy 56511740.

FORM NO. 56042540

Before June 2012



3-2011

CHASSIS SYSTEM-BATTERY

11-2016

CS7000**5**

Kit	Item	Ref. No.	Qty	Description
K2	1		3	Scr. Hex 3/8-16 X 1.25
K2,K4	2		4	Wsh-Fit SAE 1/2
K2,K3	3		6	Wsh, Flt SAE 5/16
K2	4		1	Scr-Pan Phil 10-24 X .50
K2	5		15	Wsh, Flt SAE 3/8
K2,K3	6		4	Wsh, Flt SAE 1/4 (QTY OF 2 AFTER MAY 2012)
K2,K3	7		4	Scr. Hex 1/4-20 X .75 (QTY OF 2 AFTER MAY 2012)
K2	9		2	Nut, Hex Nyl Loc 1/4-20
K2	10		1	Scr. Pan Phil Thd Form 10-24 X 1.25
K2,K4	11		9	Nut-Hex Nyl Loc 3/8-16
K2	12		2	Nut, Hex Nyl Loc-Thin 5/16-18
K2	13		3	Nut, Hex Nyl Loc-Thin 10-24
K3	14		2	Nut, Hex Nyl Loc-Thin 1/4-20 NOTE 1
K2	16		6	Scr. Hex Hd Loc 5/16-18x.62
K2,K4	17		10	Scr. Hex Hd Loc 3/8-16x1.00
K3	18		2	Scr. Hex Hd Loc 5/16-18x.75
K2	19		2	Scr. Hex Hd Loc 1/4-20x.88
K4	20		3	Scr. Hex Hd Loc 3/8-16x1.25
K4	21		2	Scr. Hex Hd Loc 3/8-16x1.75
K2,K4	22		3	Scr.Hex Hd Loc 1/2-13x1.00
K1	23		10	Wsh, Flt SS .260 X 1.000 X .074
K1	24		10	Scr. Pan Phil Thd Form 1/4-20 X .50
K3	25		1	Nut, Hex Jam 1/4-20
	26	56511149	2	Bracket, Tank Stop
	27	56232181	1	Bushing
	28	56303228	6	Roller Asm
	29	56305053	1	Sensor, Proximity S13
	30	56314206	1	Gas Spring
K3	31		1	Leg Leveler 1/4-20
	32	56416546	1	Shielded Pulley
	33#		1	Chassis Weldt (not available for sale)
	34	56509411	1	Frt Engine Cover Assy NOTE 1
	#	56511740	1	Front Engine Cover Assy NOTE 2
K4	35		1	Bracket - Rollers
	36	56511184	1	Engine Cover Assy

Kit	Item	Ref. No.	Qty	Description
	37	56509630	1	Rt Door Assembly NOTE 1
		56511182	1	Right Door Assy NOTE 2
	38	56511153	1	Support-Panel
	39	56509755	1	Plate Asm-Battery Stop
	39a	56449221	2	Bumper, 1.43 Dia
	39b	56001954	1	Wsh, Flt SAE #10
	39c	56002192	1	Scr-Pan Phil 10-24 X .75
	39d	56003289	2	Nut, Wing 1/2-13
	39e	56003537	1	Scr-Soc Shd .25 X .38 X 10-24
	39f	56245060	1	Spring, Torsion .38 X 2
	39g	56303284	1	Bearing, Fl .375x.250x.188
	39h	56369004	1	Bushing
	39i	56413875	1	Washer, Teflon, .21 X .88 X .045
	39j	56509756	1	Plate - Battery Stop
	39k	56509757	1	Latch - Battery Stop
	40	56509758	1	Bracket - Switch Mount
K4	41		1	Battery Guide-Front
K4	42		1	Battery Guide Weldt
	43	56509851	1	Left Cover Assy
	44	56509881	1	Lower Cover Right
	45	56511183	1	Pull Rod Assy
	46	56509982	1	Bushing-.200 X .375 X .88
	47	56510125	1	Guard-Reservoir
K1	48		1	Shield-Dust
K4	49		2	Bushing-400 X .625 X .50
K4	50		1	Battery Stop Weldt
	51	56510537	1	Bracket
K4	52		1	Bracket
	53	56511172	1	Bracket
	54	56382941	1	Hanger-Side Panel
	55	56510587	1	Nut Plate
	56	56510751	1	Cover Plate Weldt
	57	56510752	1	Retainer-Cover Plate
K3	58		1	Strike-Latch NOTE 1
K3	59		1	Bracket NOTE 1
K4	60		2	3/8-16 X 1.0", Carriage Bolt
K3	61		1	Bracket NOTE 2
K4	62		3	Scr-Fit Soc 3/8-16 X 1.25 SS
	63	56511226	1	Plug-Tube 2.0 X 4.0

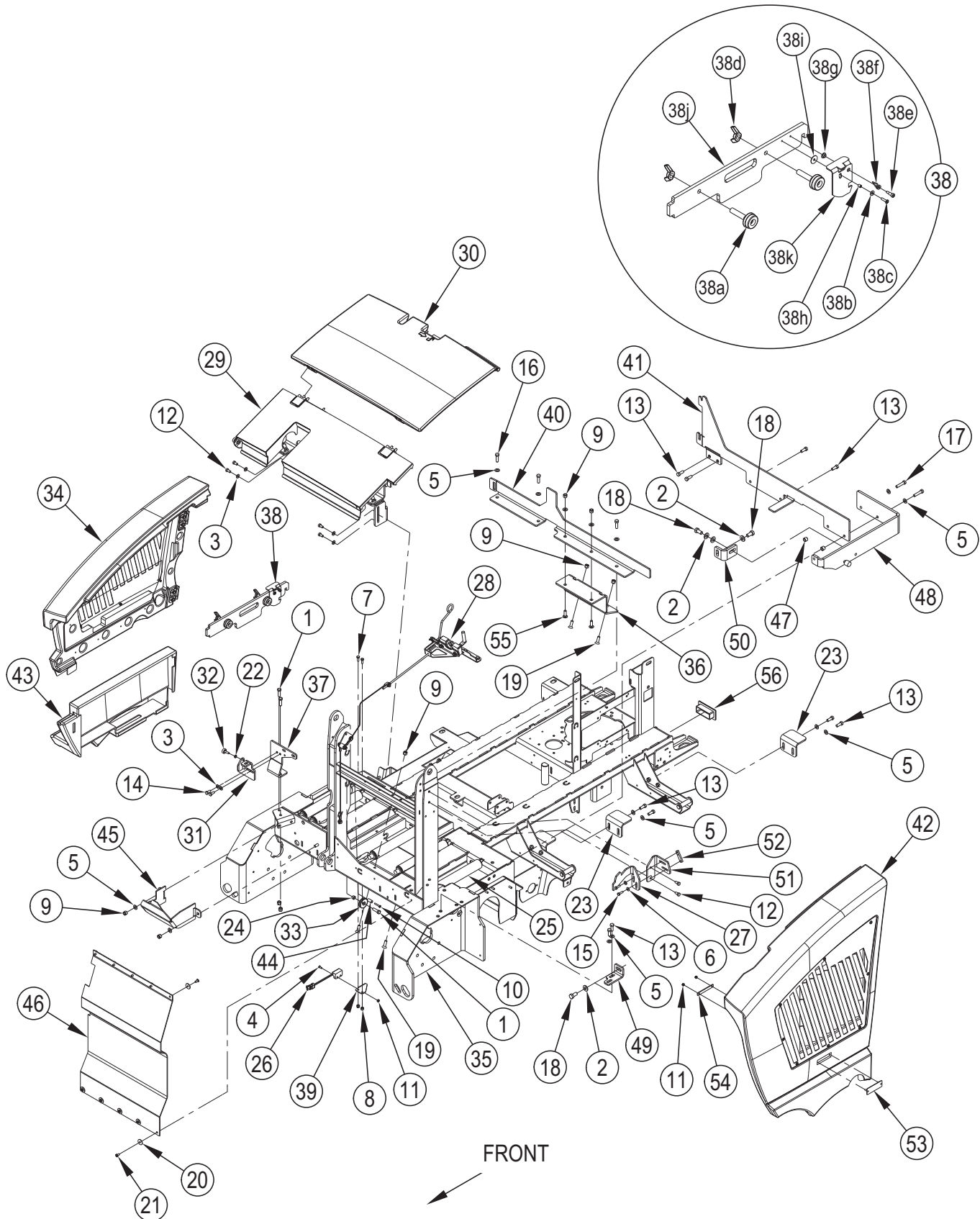
Service Kits

K1	56510735	1	Dust Shield Kit-Hopper
K2	56510842	1	Hardware Kit-Chassis NOTE 1
K2	56383008	1	Hardware Kit-Chassis NOTE 2
K3	56510827	1	Latch Kit-Right Door (includes 56510753 & 56510823 not shown here) NOTE 1
K3	56509013	1	Right Door Latch Kit NOTE 2
K4	56510838	1	Battery Guide Kit

= Revised or new since last update

NOTE 1: Used before June 2012**NOTE 2:#** The Front Engine Cover Assy 56511181 used after May 2012 has been obsoleted and replaced by Front Engine Cover Assy 56511740.

FORM NO. 56042540



3-2011

CHASSIS SYSTEM-FUEL CELL

11-2016

CS7000**7**

Kit	Item	Ref. No.	Qty	Description
K2	1		3	Scr-Hex 3/8-16 X 1.25
K2,K4	2		4	Wsh-Flt SAE 1/2
K2,K3	3		6	Wsh, Flt SAE 5/16
K2	4		1	Scr-Pan Phil 10-24 X .50
K2,K4	5		15	Wsh, Flt SAE 3/8
K2	6		2	Wsh, Flt SAE 1/4
K2	7		2	Scr-Hex 1/4-20 X .75
K2	8		2	Nut, Hex Nyl Loc 1/4-20
K2,K4	9		9	Nut-Hex Nyl Loc 3/8-16
K2	10		1	Scr-Pan Phil 10-24 X 1.25
K2	11		3	Nut, Hex Nyl Loc-Thin 10-24
K2	12		6	Scr-Hex Hd Loc 5/16-18x.62
K2,K4	13		10	Scr-Hex Hd Loc 3/8-16x1.00
K3	14		2	Scr-Hex Hd Loc 5/16-18x.75
K2	15		2	Scr-Hex Hd Loc 1/4-20x.88
K4	16		3	Scr-Hex Hd Loc 3/8-16x1.25
K4	17		2	Scr-Hex Hd Loc 3/8-16x1.75
K2,K4	18		3	Scr-Hex Hd Loc 1/2-13x1.00
K2,K4	19		3	Scr-Flt Soc SS 3/8-16 X 1.25
K1	20		10	Wsh, Flt SS .260 X 1.000 X .074
K1	21		10	Scr, Pan Phil Thd Form 1/4-20 X .50
K3	22		1	Nut, Hex Jam 1/4-20
	23	56511149	2	Bracket, Tank Stop
	24	56232181	1	Bushing
	25	56303228	6	Roller Asm
	26	56305053	1	Sensor, Proximity S13
	27	56382941	1	Hanger-Side Panel
	28	56382967	1	Pull Rod Assy-Cs7000 Fc
	29	56382970	1	Front Cover Assy-Cs7000 Fc
	30	56382971	1	Engine Cover Assy-Cs7000 Fc
K3	31		1	Bracket
K3	32		1	Leg Leveler 1/4-20
	33	56416546	1	Shielded Pulley
	34	56511182	1	Right Door Assy
	35#		1	Chassis Weldt (not available for sale)
K4	36		1	Bracket - Rollers

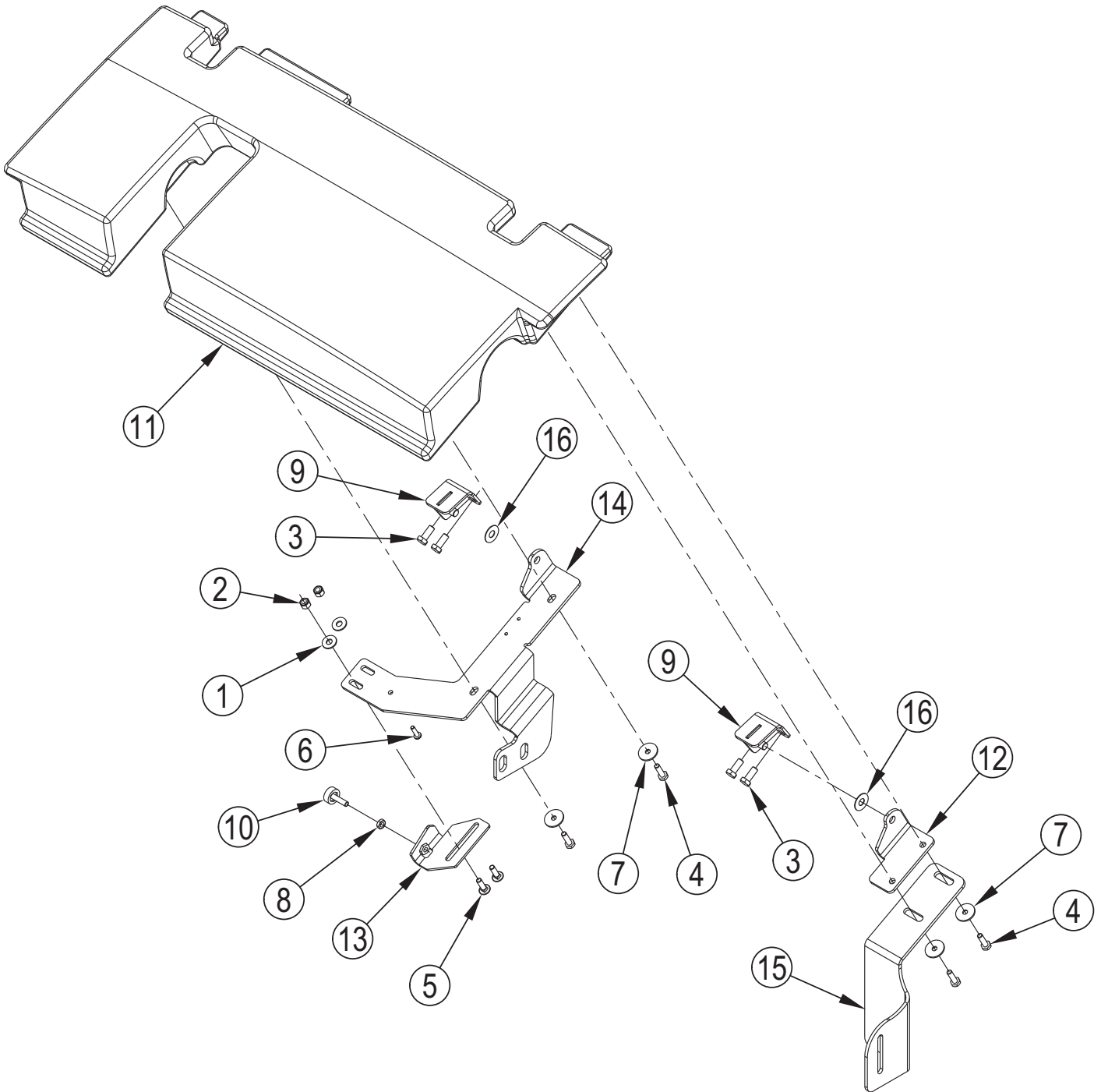
Kit	Item	Ref. No.	Qty	Description
	37	56511153	1	Support-Panel
	38	56509755	1	Plate Asm-Battery Stop
	38a	56449221	2	Bumper, 1.43 Dia
	38b	56001954	1	Wsh, Flt SAE #10
	38c	56002192	1	Scr-Pan Phil 10-24 X .75
	38d	56003289	2	Nut, Wing 1/2-13
	38e	56003537	1	Scr-Soc Shd .25 X .38 X 10-24
	38f	56245060	1	Spring, Torsion .38 X 2
	38g	56303284	1	Bearing, Fl .375x.250x.188
	38h	56369004	1	Bushing
	38i	56413875	1	Washer, Teflon, .21 X .88 X .045
	38j	56509756	1	Plate - Battery Stop
	38k	56509757	1	Latch - Battery Stop
	39	56509758	1	Bracket - Switch Mount
K4	40		1	Battery Guide-Front
K4	41		1	Battery Guide Weldt
	42	56509851	1	Left Cover Assy
	43	56509881	1	Lower Cover Right
	44	56509982	1	Bushing-.200 X .375 X .88
	45	56510125	1	Guard-Reservoir
K1	46		1	Shield-Dust
K4	47		2	Bushing-.400 X .625 X .50
K4	48		1	Battery Stop Weldt
	49	56510537	1	Bracket
K4	50		1	Bracket
	51	56511172	1	Bracket
	52	56510587	1	Nut Plate
	53	56510751	1	Cover Plate Assy
	54	56510752	1	Retainer-Cover Plate
K4	55		2	3/8-16 X 1.0", Carriage Bolt
	56	56511226	1	Plug-Tube 2.0 X 4.0

Service Kits

K1	56510735	1	Dust Shield Kit-Hopper
K2	56383008	1	Hardware Kit-Chassis
K3	56509013	1	Right Door Latch Kit
K4	56510838	1	Battery Guide Kit

= Revised or new since last update

FORM NO. 56042540



3-2011	CHASSIS SYSTEM-FRONT ENGINE COVER ASSY			
11-2016	CS7000			9

Kit	Item	Ref. No.	Qty	Description
		56509411	1	Frnt Engine Cover Assy NOTE 1
	#	56511740	1	Front Engine Cover Assy NOTE 2
K1	1#		2	Wsh, Flt Std 1/4 NOTE 2
K1	2#		2	Nut, Hex Nyl Loc 1/4-20 NOTE 2
K1,K2	3#		4	Scr-Hex Hd Loc 5/16-18x.75
K1,K2	4#		4	Scr-Hex Hd Loc 1/4-20x.88
K1	5#		2	Scr-Carriage 1/4-20 X .88 NOTE 2
K1	6#		1	Scr, Pan Phil SS Type Ab 10-16 X .75 NOTE 2
K1,K2	7#		4	Wsh, Flt SS .260 X 1.000 X .074
K1	8#		1	Nut, Hex Jam 1/4-20 NOTE 2
K1,K2	9#		2	Hinge Weldt
K1	10#		1	Leg Leveler 1/4-20 NOTE 2
	11#	56509403	1	Cover-Engine Front
K1,K2	12#		1	Bracket-Engine Cover
K1	13#		1	Latch Bracket Weldt NOTE 2
K1,K2	14#		1	Bracket-Support-Cover
K1,K2	15#		1	Bracket-Support-Cover
K1,K2	16#		2	Washer 3/8PL.Nylon
Service Kits				
K1#	56383002	1	1	Front Engine Cover Hinge Kit NOTE 2
K2#	56510839	1	1	Hinge Kit-Front Engine Cover NOTE 1

= Revised or new since last update

NOTE 1: Used before June 2012

NOTE 2:# The Front Engine Cover Assy 56511181 used after May 2012 has been obsoleted and replaced by Front Engine Cover Assy 56511740.

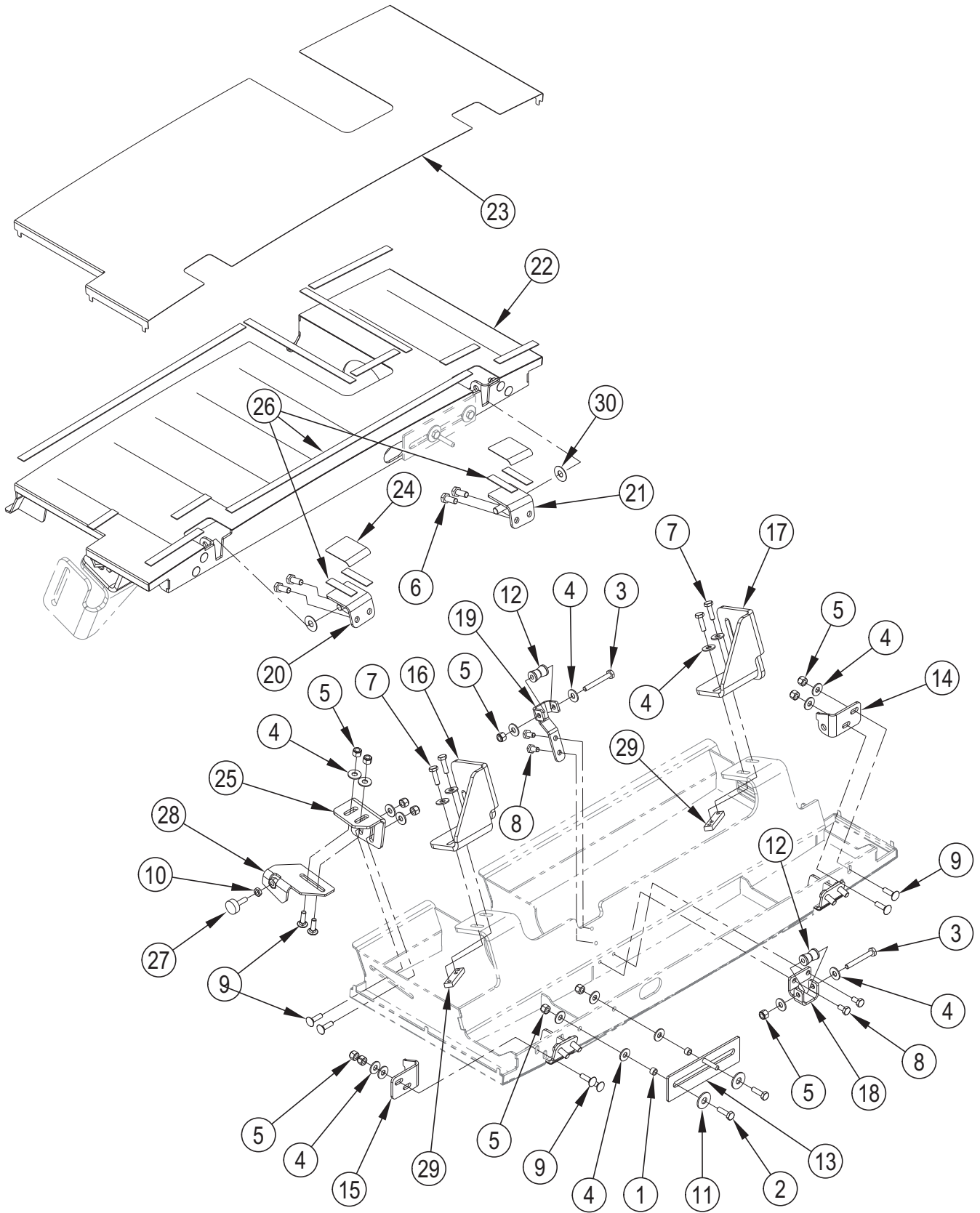
CHASSIS SYSTEM-FUEL CELL FRONT COVER ASSY

3-2011

10

CS7000

1-2014



3-2011

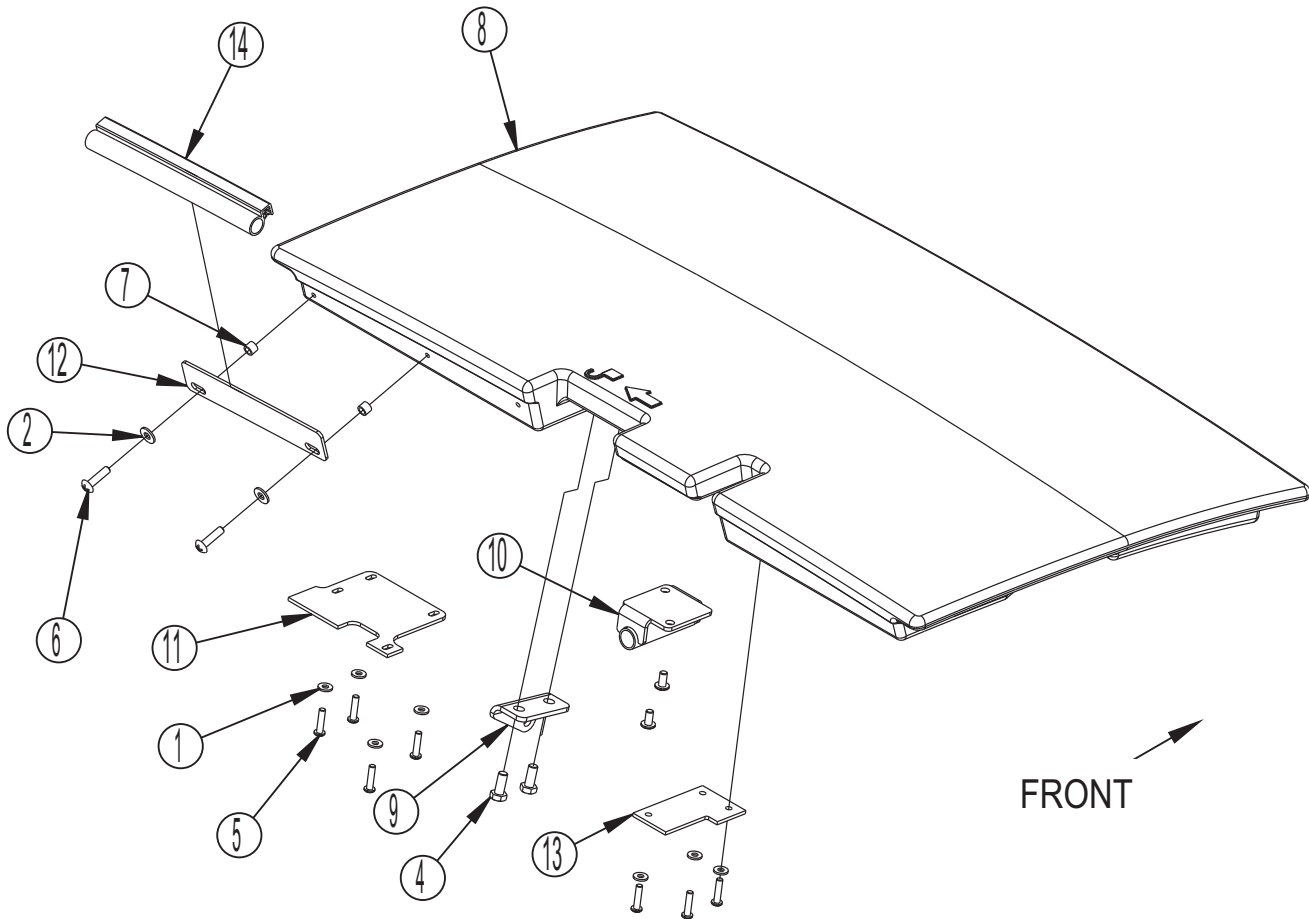
CHASSIS SYSTEM-FUEL CELL FRONT COVER ASSY

11-2016

CS7000**11**

Kit	Item	Ref. No.	Qty	Description
K1	1		2	Bushing
K1	2		2	Scr-Hex 1/4-20 X .88
	3	56001874	2	Scr-Hex 1/4-20 X 2.00
K1	4		20	Wsh, Flt Std 1/4
K1	5		12	Nut, Hex Nyl Loc 1/4-20
K1	6		4	Scr-Hex Hd Loc 5/16-18x.75
K1	7		4	Scr-Hex Hd Loc 1/4-20x.88
	8	56003039	4	Scr-Hex Hd Loc 1/4-20x.50
K1	9		8	Scr-Carriage 1/4-20 X .88
K1	10		1	Nut, Hex Jam 1/4-20
K1	11		2	Wsh-Flt .392x1.00x.075
	12	56382925	2	Pulley
K1	13		1	Bar Lock-Cover Weldt
K1	14		1	Bracket-Hinge Lt
K1	15		1	Bracket-Hinge Rt
K1	16		1	Bracket-Fixed Panel Rt
K1	17		1	Bracket-Fixed Panel Lt
	18	56382942	1	Bracket-Pulley Upper
	19	56382944	1	Bracket-Pulley Lower
K1	20		1	Weldt-Hinge Lt
K1	21		1	Weldt-Hinge Rt
K2	22		1	Weldt-Fixed Panel
K2	23		1	Cover-Fixed Panel Stainless
K1	24		2	Cover-Hinge Stainless
K1	25		1	Bracket-Door Latch
K1,K2	26#		1	Tape-Heavy Duty Adhesion 97in
K1	27		1	Leg Leveler 1/4-20
K1	28		1	Latch Bracket Weldt
K1	29		2	Nut Plate
K1	30		2	Washer 3/8PL,Nylon
Service Kits				
K1	56383124		1	Kit-Front Cover Brackets Fuell Cell
K2	56383125		1	Kit-Front Cover Fuell Cell

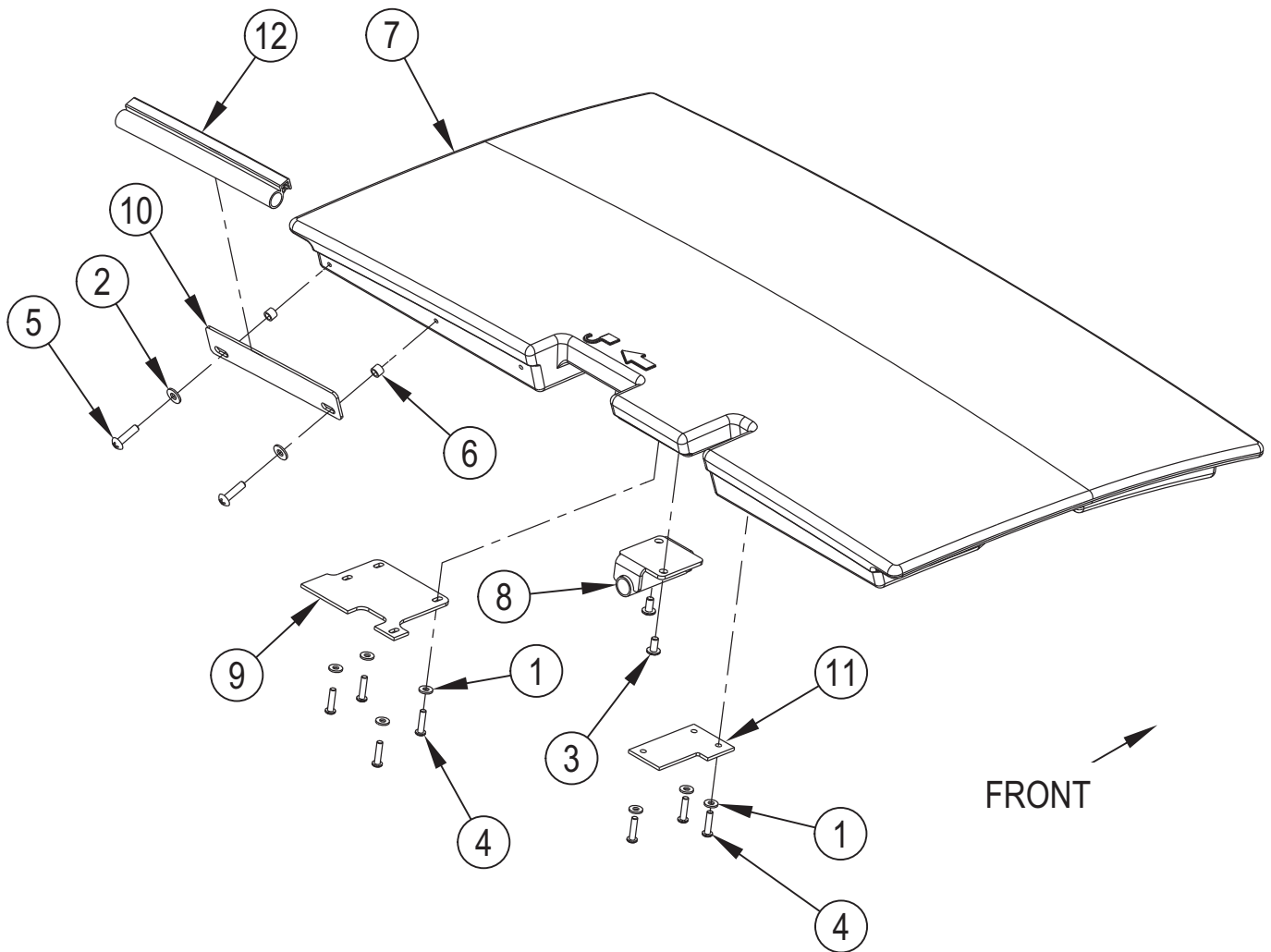
= Revised or new since last update



Kit	Item	Ref. No.	Qty	Description
		56511184	1	Engine Cover Assy
K1	1		7	Wsh, Flt SAE #10
K1	2		2	Wsh, Flt SAE 1/4
K2	3		2	Scr, Pan Phil Loc 1/4-20 X .62
K2	4		2	Scr, Hex Hd Loc 5/16-18x.75
K1	5		7	Scr, Pan Phil Plastite 10-14 X .88
K1	6		2	Scr, Pan Phil SS Type Ab 10-16x1.00
K1	7		2	Bushing .26x.37x.28
	8	56509404	1	Cover-Engine Rear
K2	9		1	Bracket-Gas Spring
K2	10		1	Latch Strike Weldt
K1	11		1	Shield
K1	12		1	Plate-Seal
K1	13		1	Shield
K1	14		1	Bulb Seal

Service Kits

K1	56510840	1	Seal Kit-Engine Cover
K2	56510841	1	Latch Strike Kit



Kit	Item	Ref. No.	Qty	Description
		56382971	1	Engine Cover Assy-CS7000 FC
K1	1		7	Wsh, Flt SAE #10
K1	2		2	Wsh, Flt SAE 1/4
K2	3		2	Scr. Pan Phil Loc 1/4-20 X .62
K1	4		7	Scr. Pan Phil Plastite 10-14 X .88
K1	5		2	Scr. Pan Phil SS Type Ab 10-16x1.00
K1	6		2	Bushing .26x.37x.28
	7	56509404	1	Cover-Engine Rear
K2	8		1	Latch Strike Weldt
K1	9		1	Shield
K1	10		1	Plate-Seal
K1	11		1	Shield
K1	12		1	Bulb Seal

Service Kits

K1	56510840	1	Seal Kit-Engine Cover
K2	56510841	1	Latch Strike Kit

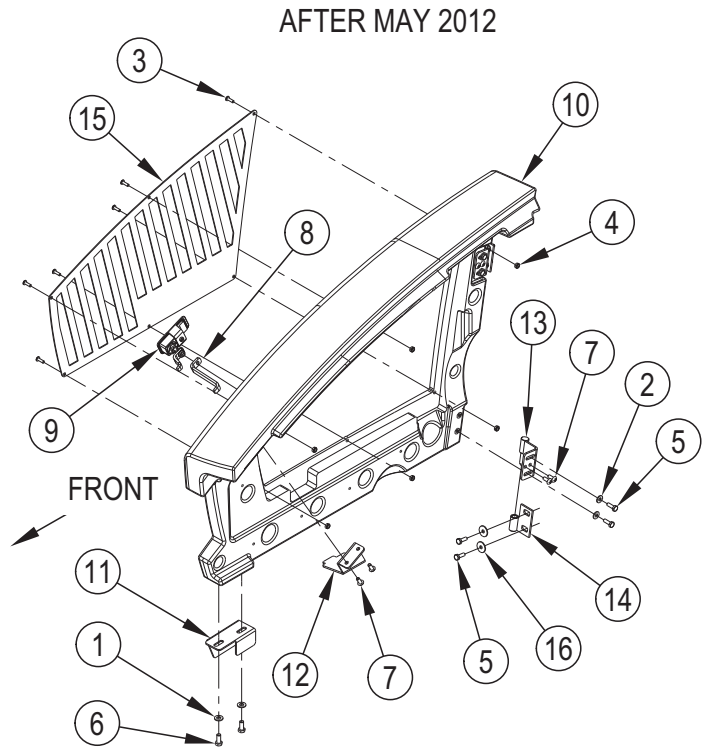
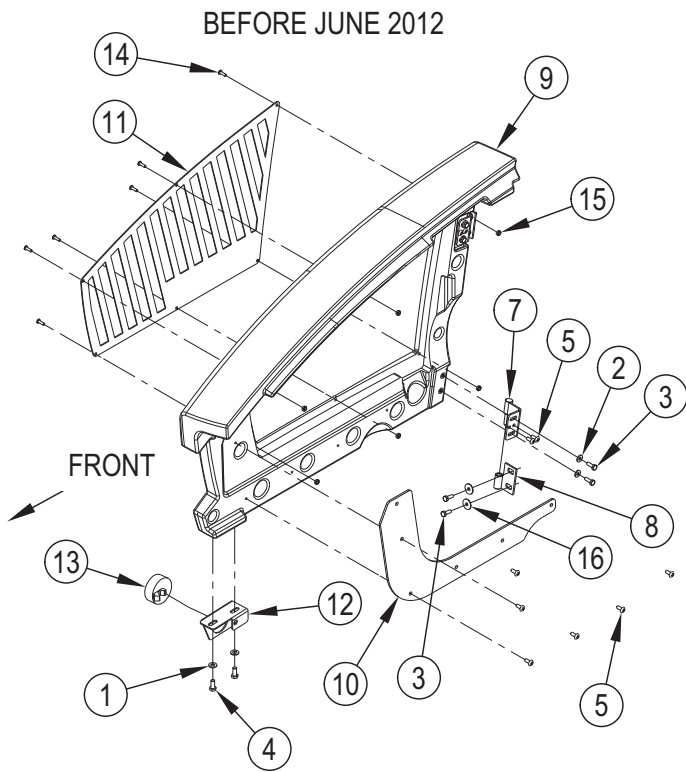
CHASSIS SYSTEM-RIGHT DOOR ASSY

3-2011

14

CS7000

7-2014



Kit	Item	Ref. No.	Qty	Description
		56509630	1	Right Door Assy
K2	1		2	Wsh, Flt SAE 5/16
K1	2		4	Wsh, Flt SAE 1/4
K1	3		8	Scr, Hex Hd Loc 1/4-20x.75
K2	4		2	Scr, Hex Hd Loc 5/16-18x.75
K1	5		10	Scr Panphil SS Type B 1/4-14 X .62
K1	7		2	Upper Hinge Weldt
K1	8		2	Lower Hinge Weldt
	9	56509882	1	Door-Right
	10	56510624	1	Stiffener-Side Door
	11	56510632	1	Grille-Right
K2	12		1	Bracket-Latch
K2	13		1	Latch-Door
	14	56002896	6	Scr-Pan Phil SS 10-24 X .62
	15	56002849	6	Nut, Hex Nyl Loc-Thin SS 10-24
K1	16		4	Washer Flat .266x.906x.060

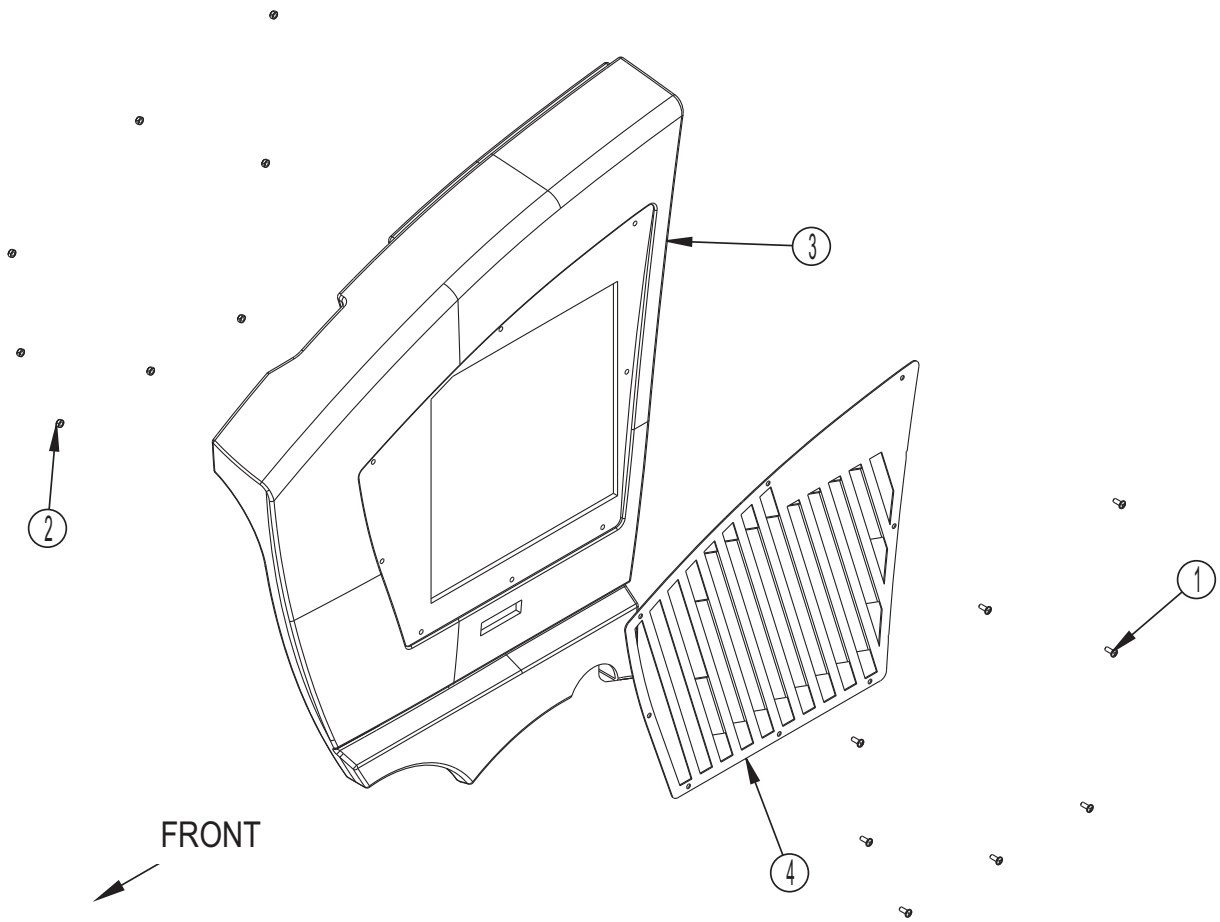
Service Kits

K1	56510789	1	Hinge Kit-Rt Door
K2	56510827	1	Latch Kit-Rt Door

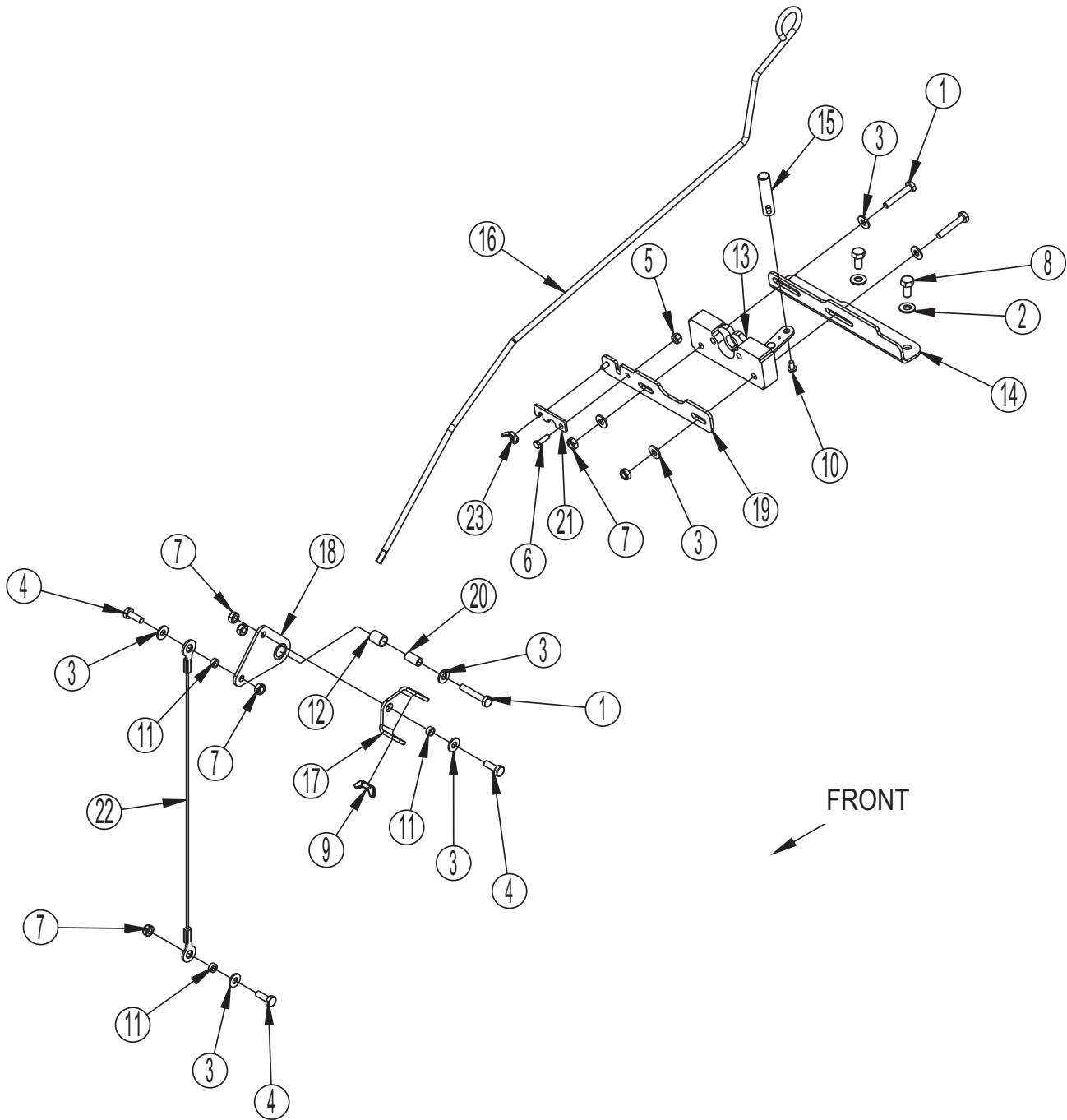
Kit	Item	Ref. No.	Qty	Description
		56511182	1	Right Door Assy
K2	1		2	Wsh, Flt SAE 5/16
K1	2		4	Wsh, Flt SAE 1/4
	3	56002896	6	Scr-Pan Phil SS 10-24 X .62
	4	56002849	6	Nut, Hex Nyl Loc-Thin SS 10-24
K1	5		8	Scr-Hex Hd Loc 1/4-20x.62
K2	6		2	Scr-Hex Hd Loc 5/16-18x.62
K1.K2	7		6	Scr Panphil SS Type B 1/4-14 X .62
K2	8		1	Cam-Latch
K2	9		1	Latch-Lift & Turn
	10	56509010	1	Door-Right
K2	11		1	Bracket-Door
K2	12		1	Bracket-Bumper
K1	13		2	Upper Hinge Weldt
K1	14		2	Lower Hinge Weldt
	15	56510632	1	Grille-Right
K1	16		4	Washer Flat .266x.906x.060

Service Kits

K1	56510789	1	Hinge Kit-Rt Door
K2	56509013	1	Right Door Latch Kit



Kit	Item	Ref. No.	Qty	Description
		56509851	1	Left Cover Assy
	1	56002989	8	Scr-Pan Phil SS 1/4-20 X .62
	2	56002850	8	Nut, Hex Nyl Loc-Thin SS 1/4-20
	3	56509852	1	Cover-Left
	4	56510606	1	Grille



3-2011

CHASSIS SYSTEM-PULL ROD ASSY

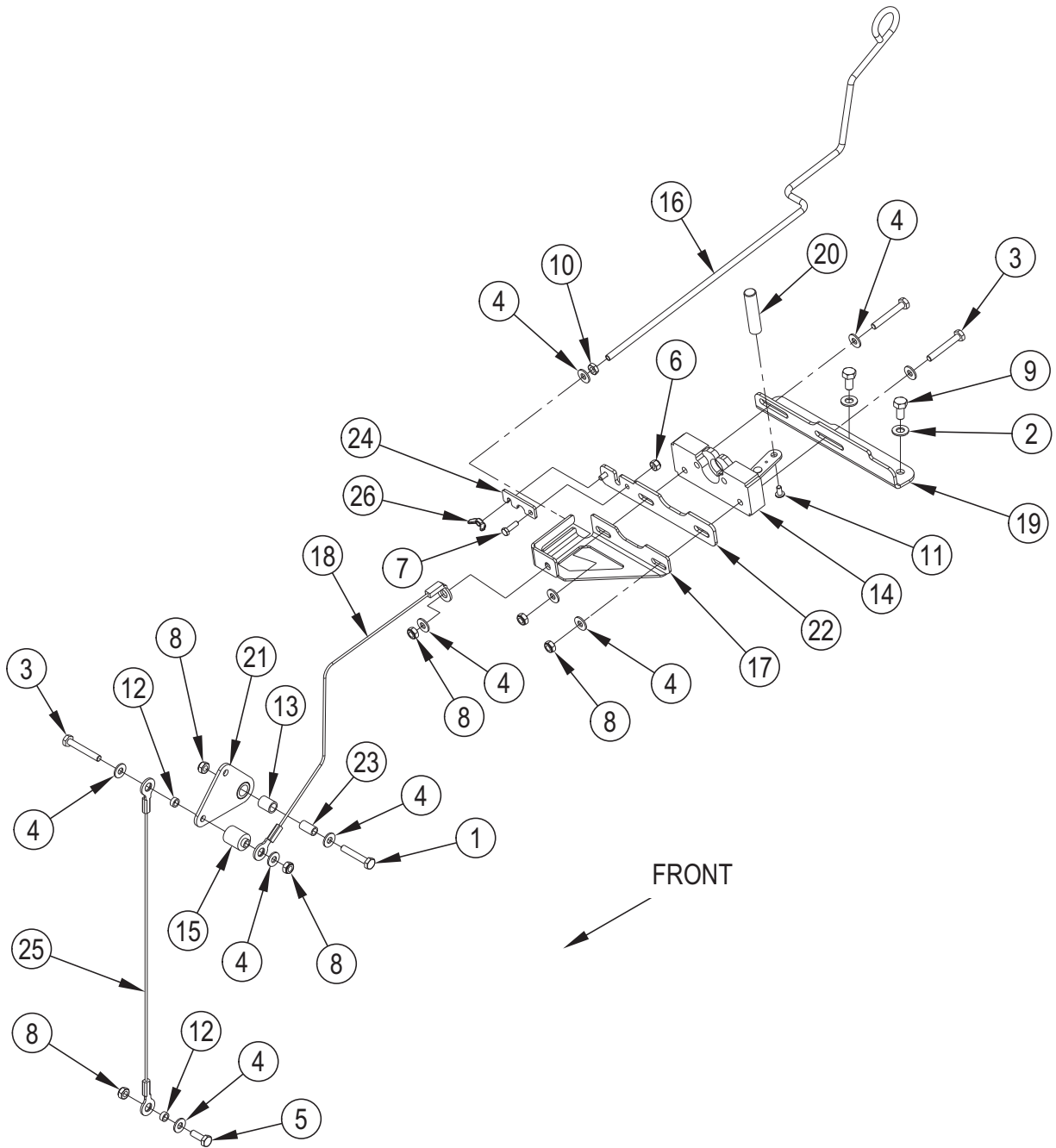
2-2013

CS7000**17**

Kit	Item	Ref. No.	Qty	Description
		56511183	1	Pull Rod Assy
K1,K2	1		3	Scr, Hex 1/4-20 X 1.50
K1	2		2	Wsh, Flt SAE 5/16
K1,K2	3		8	Wsh, Flt SAE 1/4
K2	4		3	Scr, Hex 1/4-20 X .75
K1	5		1	Nut, Hex Nyl Loc 10-24
K1	6		1	Scr, Hex 10-24 X .62
K1,K2	7		6	Nut, Hex Nyl Loc-Thin 1/4-20
K1	8		2	Scr,Hex Hd Loc 5/16-18x.62
K2	9		1	Nut, Wing Loc 1/4-20
K1	10		1	Scr, Pan Phil Loc 10-24 X .38
K2	11		3	Bushing
K2	12		1	Bearing, .500 X .375 X .625
K1	13	56304826	1	Latch, Lh
K1	14		1	Bracket-Latch
K1	15		1	Pin
	16	56509865	1	Pull Rod
K2	17		1	Yoke-Pull Rod
K2	18		1	Pivot Weldt
K1	19		1	Bracket-Pull Rod
K2	20		1	Bushing-.265 X .375 X .700
K1	21		1	Retainer-Pull Rod
K2	22		1	Cable Assy
K1	23		1	Nut, Wing 10-24

Service Kits

K1	56510732	1	Latch Kit-Engine Cover
K2	56510733	1	Pivot Kit-Pull Rod



3-2011

CHASSIS SYSTEM-FUEL CELL PULL ROD ASSY

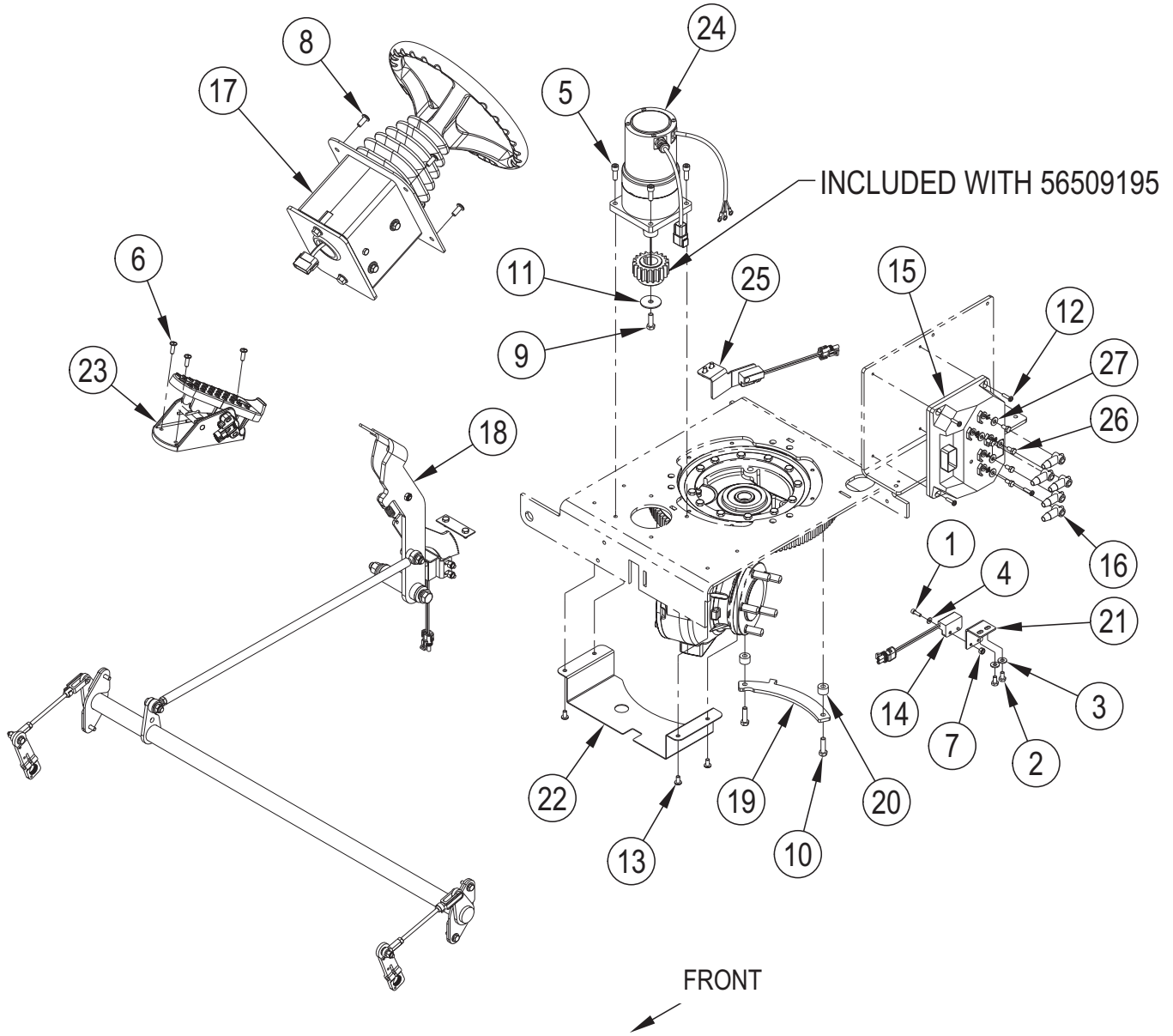
10-2013

CS7000**19**

Kit	Item	Ref. No.	Qty	Description
		56382967	1	Pull Rod Assy-CS7000 FC
K1,K2	1		1	Scr-Hex 1/4-20 X 1.50
K1	2		2	Wsh, Flt SAE 5/16
K2	3		3	Scr-Hex 1/4-20 X 1.75
K1,K2	4		10	Wsh, Flt SAE 1/4
K2	5		1	Scr-Hex 1/4-20 X .75
K1	6		1	Nut, Hex Nyl Loc 10-24
K1	7		1	Scr-Hex 10-24 X .62
K1,K2	8		6	Nut, Hex Nyl Loc-Thin 1/4-20
K1	9		2	Scr-Hex Hd Loc 5/16-18x.62
	10	56009087	1	Nut, Hex Jam 1/4-20
K1	11		1	Scr-Pan Phil Loc 10-24 X .38
K2	12		2	Bushing
K2	13		1	Bearing, .500 X .375 X .625
K1	14		1	Latch, Lh
K2	15		1	Bushing
	16	56382927	1	Pullrod
	17	56382932	1	Bracket-Pull Rod
K2	18		1	Cable Assy-Formed End
K1	19		1	Bracket-Latch
K1	20		1	Pin
K2	21		1	Pivot Weldt
K1	22		1	Bracket-Pull Rod
K2	23		1	Bushing .265 X .375 X .700
K1	24		1	Retainer-Pull Rod
K2	25		1	Cable Assy
K1	26		1	Nut, Wing 10-24

Service Kits

K1	56510732	1	Latch Kit-Engine Cover
K2	56383122	1	Pivot Kit-Pull Rod Fuel Cell

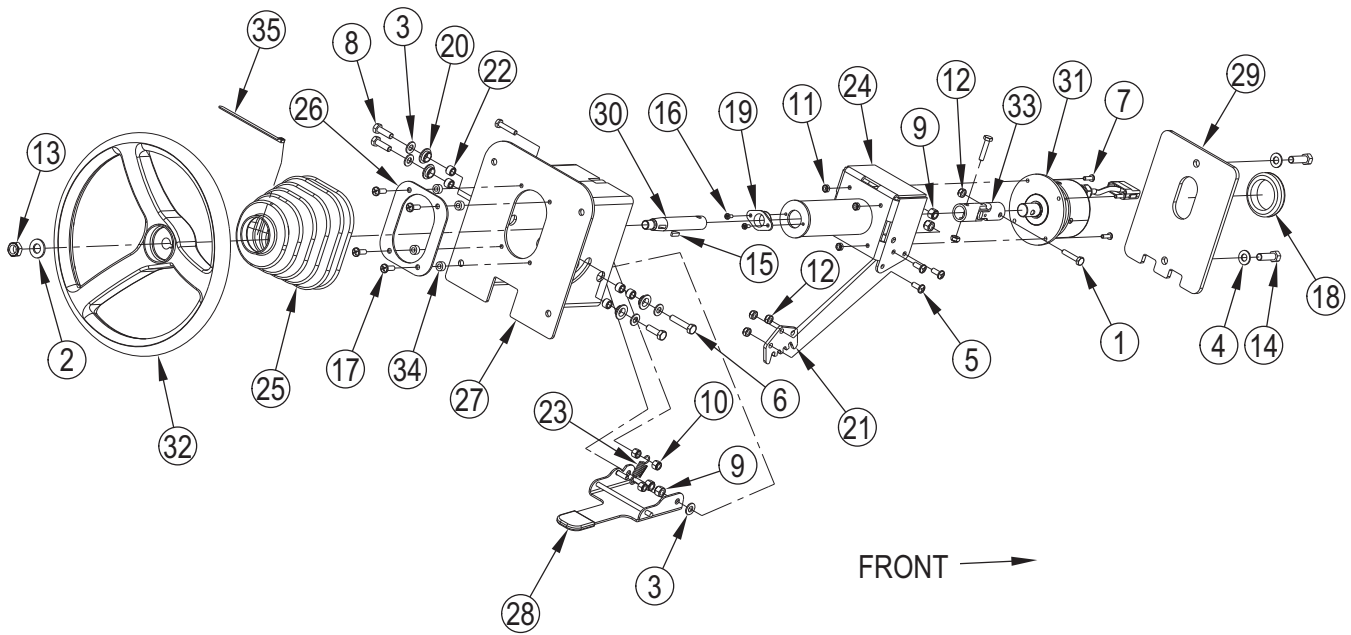


3-2011	CONTROL SYSTEM			
8-2016	CS7000			21

Kit	Item	Ref. No.	Qty	Description
K2	1		2	Scr, Soc Hd 10-24 X 0.62
K2	2		4	Scr, Hex 1/4-20 X .50
K2	3		4	Wsh, Flt SAE 1/4
K2	4		2	Wsh, Flt SAE #8
K2	5		4	Scr, Soc Hd 5/16-18 X 0.88
K1	6		3	Scr-Pan Phil SS 1/4-20 X .75
K2	7		2	Nut, Hex Nyl Loc 10-24
K2	8		4	Scr-Pan Phil Blk 5/16-18 x .75
K2	9		1	Scr, Hex Thd To Hd M8-1.25 X 25mm
K2	10		2	Scr-Hex Loc SS M8-1 X 30mm
K2	11		1	Wsh-Flt SS .344 X 1.500 X .080
K2	12		4	Scr, Pan Phil Thd Form 10-24 X .75
K2	13		4	Scr, Pan Phil Thd Form 1/4-20 X .50
	14	56305053	2	Sensor-Proximity S16 / S17
	15	56510729	1	Controller-Steering A5
	16	56409538	5	Insulator, Terminal
	17		1	Assembly-Tilt Steering TSB-FC-2016-252
	18		1	Brake Linkage Assy
	19	56509435	1	Cam-Steering
	20	56509436	2	Spacer 0.332x0.75x0.50
	21	56509437	1	Bracket-Sensor Mounting
	22	56511140	1	Shield-Splash
K1	23		1	Foot Pedal Assy R1
	24	56380406	1	Actuator-Steering 36V M16
	25	56510912	1	Bracket-Sensor Mounting
	26	56003155	5	Scr Hex M6-1.0 X 12mm
	27	56009064	5	Wsh Int Shprf 1/4

Service Kits

K1	56510792	1	Foot Pedal Kit
K2	56510816	1	Hardware Kit-Control System



3-2011

CONTROL SYSTEM-STEERING ASSY

8-2016

CS7000**23**

Kit	Item	Ref. No.	Qty	Description
K1,K4	1		3	Scr, Hex 1/4-20 X 1.25
K1	2		1	Wsh-Flt SAE 1/2
K4	3		5	Wsh, Flt SAE 5/16
K2	4		2	Wsh, Flt SAE 3/8
K3	5		3	Scr-Pan Phil 1/4-20 X .62
K4	6		1	Scr, Hex 5/16-18 X 1.50
K3	7		4	Scr-Pan Phil 10-24 X .62
K4	8		3	Scr, Hex 5/16-18 X 1.00
K3,K4	9		4	Nut, Hex Nyl Loc 5/16-18
K4	10		3	Nut, Hex Nyl Loc 1/4-20
K3	11		4	Nut, Hex Nyl Loc-Thin 10-24
K1,K3	12		5	Nut, Hex Nyl Loc-Thin 1/4-20
K1	13		1	Nut, Hex Nyl Loc-Thin 1/2-13
K2	14		2	Scr, Hex Hd Loc 3/8-16x1.25
K1	15		1	Key, Wdf .62 X .19
K3	16		2	Scr, Pan Phil Thd Form 8-32 X .38
K5	17		4	Scr, Pan Phil Thd Form 1/4-20 X .75
K2	18		1	Grommet
K3	19		1	Bushing
K4	20		4	Bearing, Flange .625 X .500 X .250
K3	21		1	Ratchet, Steering Column
K4	22		5	Bushing .32x.50x.35
K4	23		1	Spring, Extension
K3	24		1	Weldment-Tilt Steering
K5	25		1	Boot-Steering
K5	26		1	Plate-Boot Holder
K4	27		1	Weldment-Steering Mount
K4	28		1	Weldment-Tilt Lever
K2	29		1	Plate-Steering Clamp
K1	30		1	Shaft-Steering
	31	56510408	1	Torque Feedback Device F4
	32	56601060	1	Steering Wheel
	33	7-37-00001	1	Universal Joint
K5	34		4	Spacer
	35	2-00-04345	1	Ty-Rap Thomas+Betts-Ty-28m NOTE 1

Service Kits

K1	56510918	1	Steering Shaft Kit
K2	56510919	1	Steering Clamp Plate Kit
K3	56510920	1	Steering Column Kit
K4	56510921	1	Steering Housing Kit
K5	56510922	1	Steering Boot Kit

NOTE 1: The Ty-Rap to secure the steering boot to the steering shaft was added to machines starting with serial number 1000061494 and above to minimize potential water intrusion into the Torque Feedback Device.

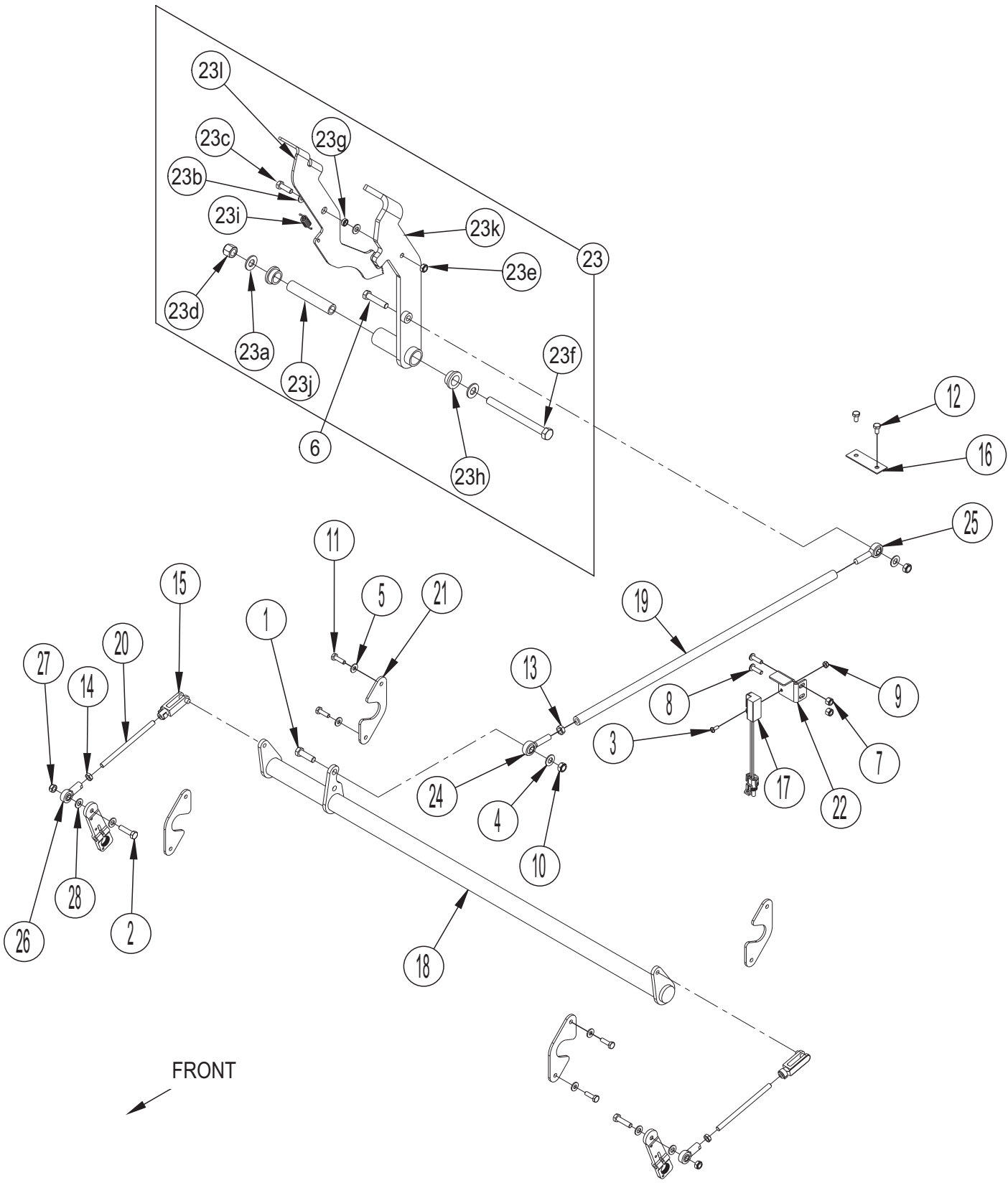
CONTROL SYSTEM-BRAKE LINKAGE ASSY

3-2011

24

CS7000

11-2011



3-2011

CONTROL SYSTEM-BRAKE LINKAGE ASSY

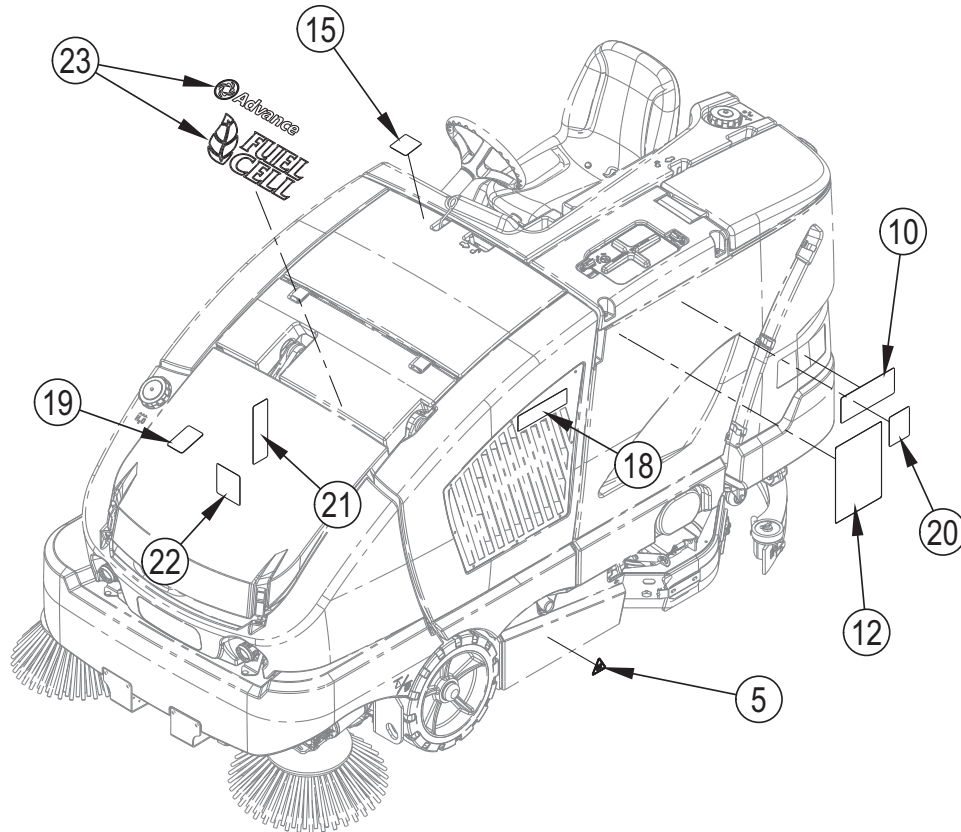
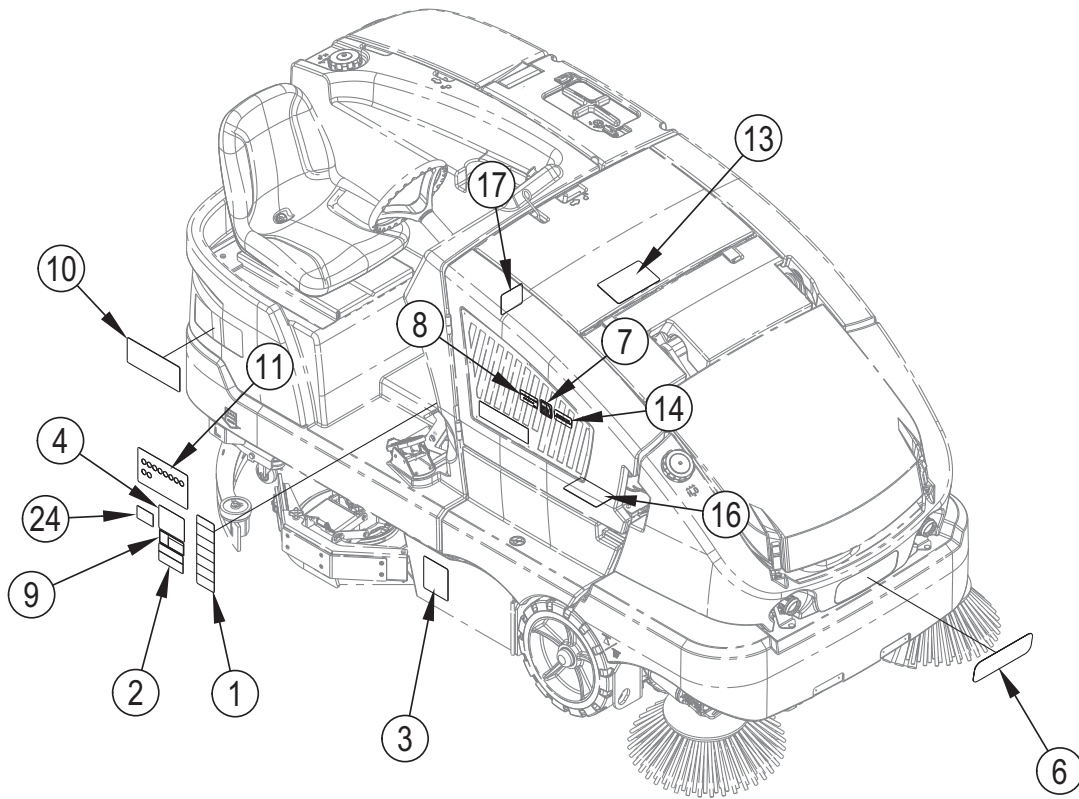
11-2011

CS7000**25**

Kit	Item	Ref. No.	Qty	Description
K2	1		1	Scr, Hex 3/8-16 X 1.25
K2	2		2	Scr Hex 5/16-18 X 1.25
K2	3		1	Scr-Pan Phil 10-24 X .50
K1,K2	4		2	Wsh, Flt SAE 3/8
K2	5		4	Wsh, Flt SAE 1/4
K1,K2	6		1	Scr, Hex 3/8-16 X 1.75
K2	7		2	Nut, Hex Nyl Loc 1/4-20
K2	8		2	Scr-Pan Phil 1/4-20 X .88
K2	9		1	Nut, Hex Nyl Loc-Thin 10-24
K1,K2	10		2	Nut, Hex Nyl Loc-Thin 3/8-16
K2	11		4	Scr,Hex Hd Loc 1/4-20x.88
K1,K2	12		2	Scr, Hex Thd Form 1/4-20 X .50
K2	13		1	Nut, Hex Jam 3/8-24
K2	14		2	Nut Hex Jam 5/16-24
	15	56416089	2	Clevis Assembly
K1	16	56304543	1	Catch, Brake Lock
	17	56305053	1	Sensor-Proximity S5
	18	56509365	1	Weldt-Brake Bar
	19	56509368	1	Rod-Brake
	20	56509369	2	Rod-Brake
	21	56509370	4	Pivot-Brake
	22	56509554	1	Bracket-Switch Mount
K1	23		1	Brake Pedal Assy
K1	23a		2	Wsh-Flt SAE 1/2
K1	23b		2	Wsh, Flt SAE 5/16
K1	23c		1	Scr, Hex 5/16-18 X 1.00
K1	23d		1	Nut-Hex Nyl Loc 1/2-13
K1	23e		1	Nut, Hex Nyl Loc-Thin 5/16-18
K1	23f		1	Scr, Hex 1/2-13 X 5.50
K1	23g		1	Bushing .323 X .500 X .180
K1	23h		2	Bearing, Fl 1.000x.750x.500
K1	23i		1	Spring, Extension
K1	23j		1	Bushing-.520 X .750 X 3.995
K1	23k		1	Brake Pedal Weldt
K1	23l		1	Pedal-Park Brake
	24	2-00-06016	1	Rod End, 3/8-24 Rh
	25	2-00-06017	1	Rod End, 3/8-24 Left Hand
	26	56418478	2	Rod End .31
K2	27		2	Nut Hex Nyl Loc-Thin 5/16-18
K2	28		4	Wsh Flt SAE 5/16

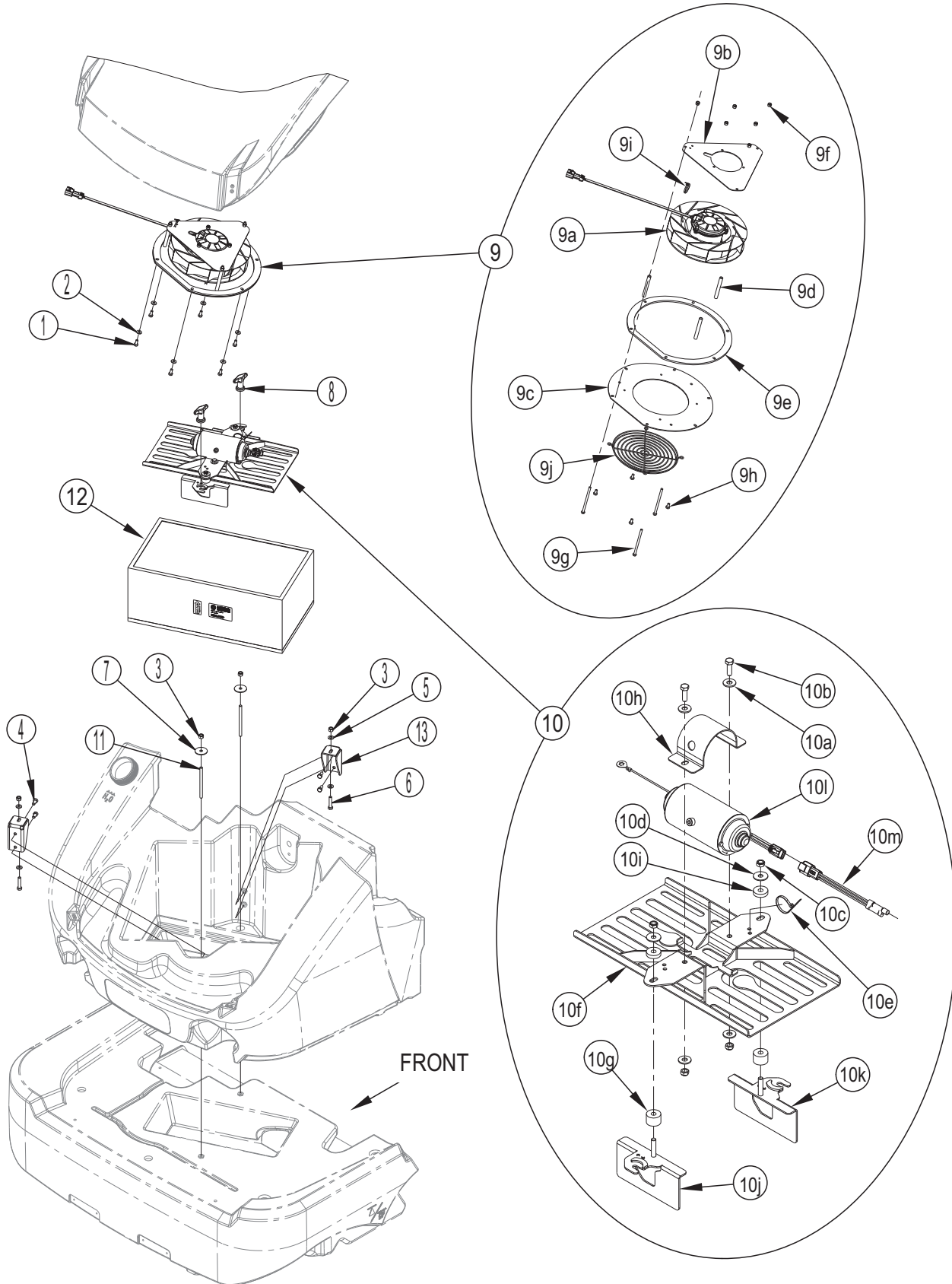
Service Kits

K1	56510786	1	Brake Pedal Kit
K2	56510785	1	Hardware Kit-Brake Linkage



3-2011	DECAL SYSTEM			
4-2013	CS7000			27

Kit	Item	Ref. No.	Qty	Description
	1		1	Decal-Caution
	2		1	Decal-LPG
	3		1	Decal-Warning Broom
	4		1	Decal. Warning Tip Over
	5		1	Decal-Warning Hot (Gasoline-Petrol-LPG & Diesel)
	6		1	Decal-Advance
	7		1	Decal-Diesel Fuel
			1	Decal-Unleaded Fuel (Gasoline-Petrol)
	8		1	Decal-Low Sulfur Diesel
	9			Decal-Exhaust (Gasoline-Petrol-LPG & Diesel)
	10		2	Decal-CS7000
			2	Decal-CS7000 Ecoflex
	11			Decal-Circuit Breaker
	12		1	Decal-Contactor Location (on panel behind recovery tank)
	13		1	Decal-Battery Wiring (Battery)
	14		1	Decal-Swing Out Tank (Diesel)
	15		1	Decal-Hopper Safety Support
	16		1	Decal-Battery Wiring
	17		1	Decal-Belt Removal Tool
	18	56510650	2	Decal-Hybrid Embossed (Gasoline-Petrol-LPG & Diesel)
		56510748	2	Decal-E Power Embossed (Battery)
		56382889	2	Decal-Fuel Cell Embossed (Fuel Cell)
	19		1	Decal-Filter Shaker Hanger
	20		1	Decal-Disconnect Power (on PCB box mounting plate behind recovery tank)
	21		1	Decal-Warning Hopper
	22		1	Decal-Warning Hydraulic
	23		1	Decal-Fuel Cell
	24		1	Label-Carb EPA (Gasoline-Petrol)
Service Kits				
K1	56510885		1	Decal Kit-Advance



3-2011

DUST CONTROL SYSTEM

11-2016

CS7000

29

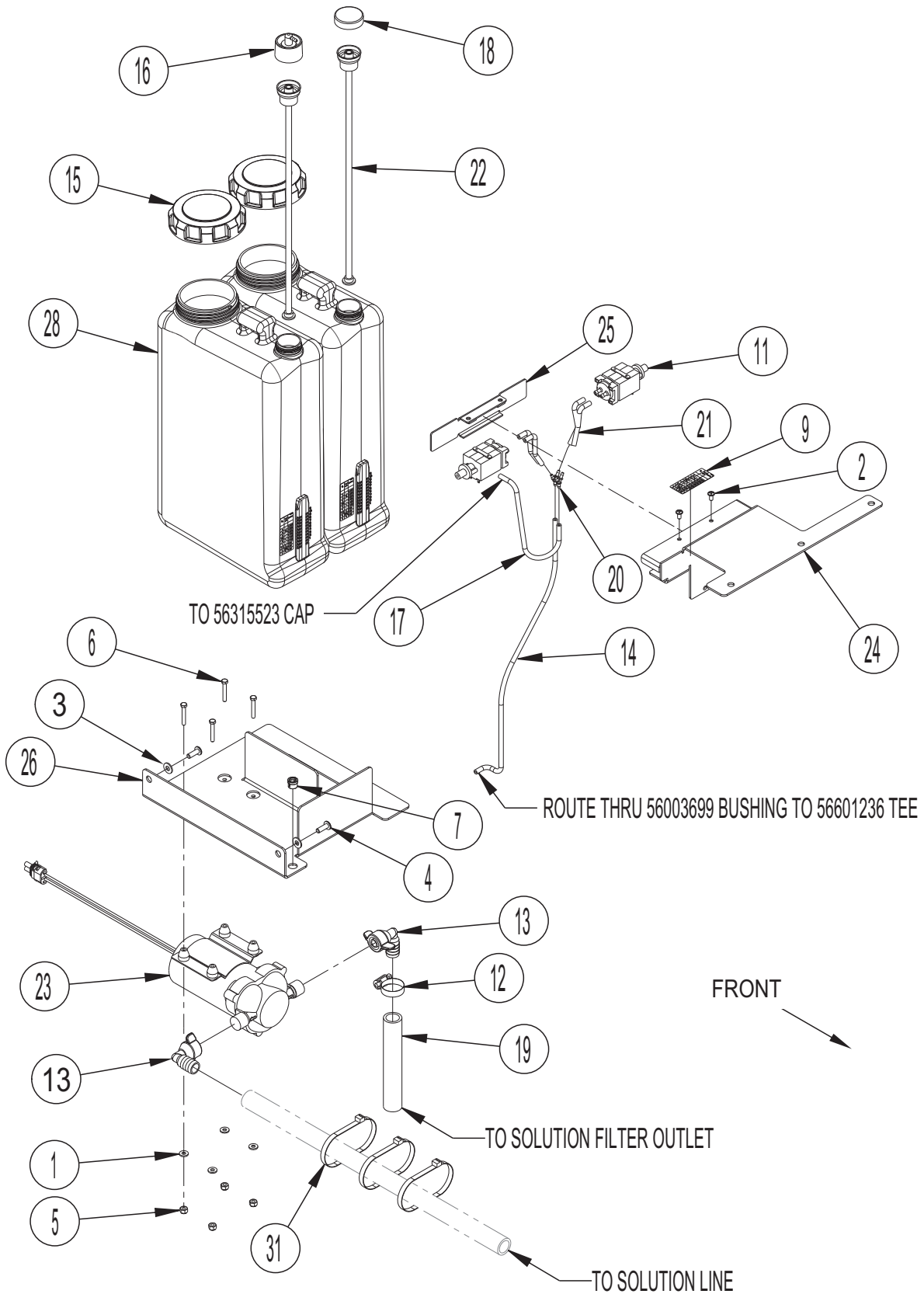
Kit	Item	Ref. No.	Qty	Description
K1	1		6	Scr, Hex 1/4-20 X .62
K1	2		6	Wsh, Flt SAE 1/4
K2,K3	3		4	Nut, Hex Nyl Loc SS 5/16-18
K2	4		4	Scr-Hex Loc SS 5/16-18 X .62
K2	5		4	Wsh-Flt SAE SS 5/16
K2	6		2	Scr- Hex SS 5/16-18 X 1.50
K3	7		2	Wsh-Flt SS .344 X 1.500 X .080
	8	56370711	2	Nut Thumb
K1	9		1	Impeller Assy
K1	9a	33015359	1	Motor Vacuum 36v
K1	9b		1	Plate-Support
K1	9c		1	Plate-Impeller
K1	9d		3	Spacer-Impeller
K1	9e	33023192	1	Gasket
K1	9f		6	Nut-Hex Nyl Loc M6-1
K1	9g		3	Scr-Hex M6-1 X 100mm
K1	9h		4	Scr, Hex Thd Form 1/4-20 X .50
K1	9i		1	Tie, Cable
K1	9j		1	Protection Grate
	10#	56509762	1	Filter Shaker Assy TSB-FC-2016-272
K4	10a		4	Wsh, Flt Std 5/16
K4	10b		2	Scr, Hex 5/16-18 X 1.00
K4,K5	10c		4	Nut, Hex Nyl Loc-Thin 5/16-18
K5	10d		2	Wsh-Flt SS .33 X 1.00 X.060
K5	10e		1	Tie, Cable
K5	10f		1	Filter Shaker Weldt
K5	10g		2	Isolator
K4	10h		1	Clamp-Shaker Motor
K5	10i		2	Wsh-Rubber .34x1.00x.25
K5	10j		1	Filter Clamp Weldt
K5	10k		1	Filter Clamp Weldt
K4	10l		1	Motor-36vdc-Filter Shaker
K4	10m		1	Harness-Shaker Pigtail-Hrns Sd
	11	56510253	2	Rod-Threaded
	12	56510354	1	Filter-Rectangular Synthetic
K2	13		2	Bracket-Filter Tie Down

Service Kits

K1	56510778	1	Impeller Kit-Hopper
K2	56510779	1	Bracket Kit-Filter Tie Down
K3	56510783	1	Hardware Kit-Dust Control System
K4	56511367	1	Motor Kit-Shaker
K5	56510788	1	Filter Shaker Kit

= Revised or new since last update

* = Optional, Not Included



3-2011

ECOFLEX™ ASSEMBLY

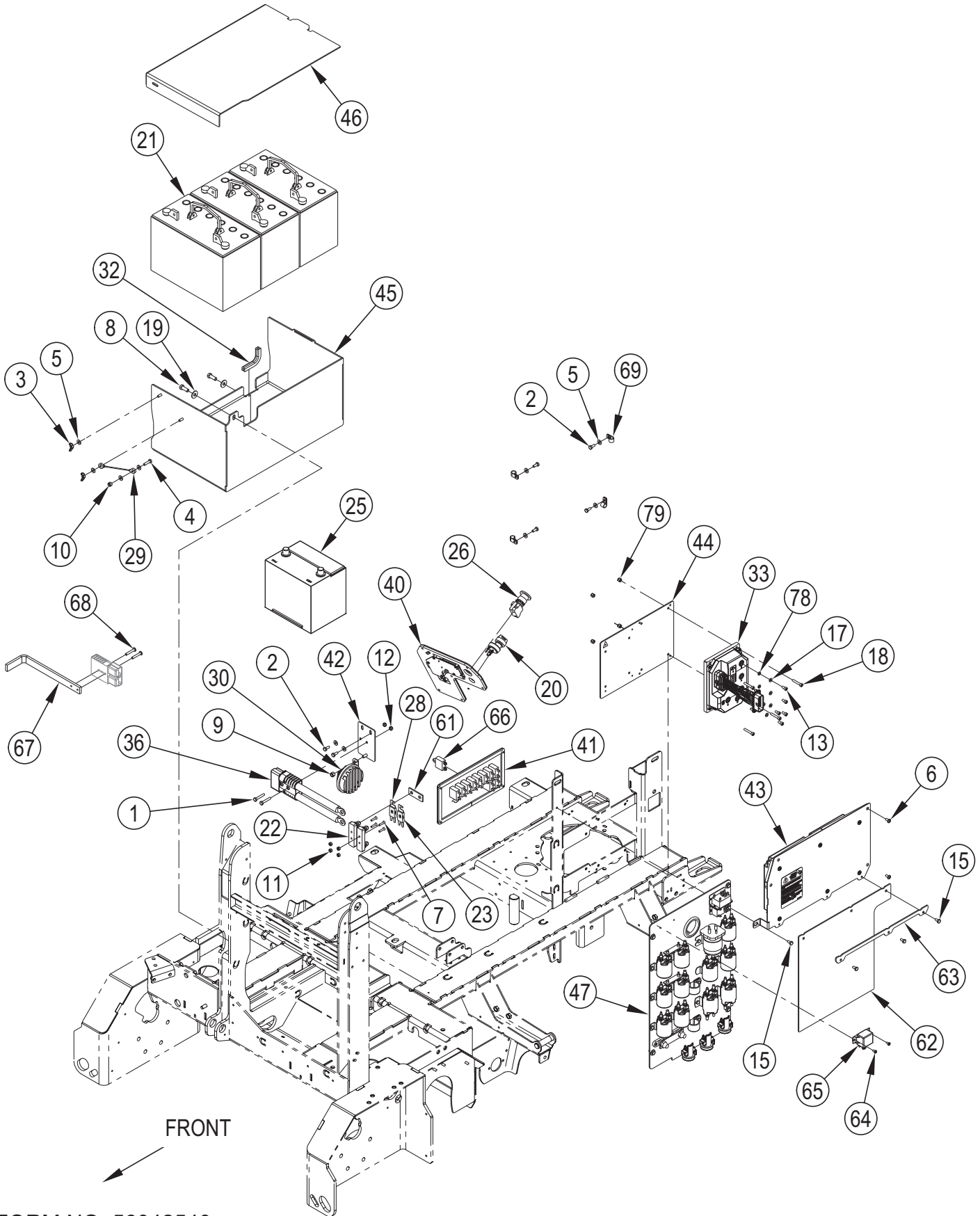
7-2014

CS7000**31**

Kit	Item	Ref. No.	Qty	Description
		56509950	1	Onboard Chemical Assy (1-30)
K2	1		4	Wsh, Flt SAE #10
K2	2		2	Scr-Pan Phil 10-24 X .38
K2	3		2	Wsh, Flt SAE 1/4
K2	4		2	Scr-Pan Phil 1/4-20 X .62
K2	5		4	Nut, Hex Nyl Loc 10-24
K2	6		4	Scr, Hex 10-24 X 1.25
K2	7		1	Bushing, 1/4 Id Snub
K2	9		1	Decal-Chemical Ratio
K1	11		2	Pump, Detergent, 12v M17 / M18
K3	12		1	Clamp Hose SAE #12
K3	13		2	Elbow Poly 1/2 X 3/4
K1	14		1	Hose 1/8 Id X 32 Lg
K4	15		2	Cap, Raw
	16	56315523	1	Cap, Dry Break, 1/8 Barb, 90°
K1	17		1	Hose-Chemical Resistant-7.50
K4	18		1	Cap, 38mm Buttress
K3	19		1	Hose-Spiral .75x6.00
K1	20		2	Fitting, Y, Barb, .125
K1	21		4	Hose-Chem Resistant-5.00
K4	22		2	Insert, Dry Break
	23	56413810	1	Pump, 36v M19
K2	24		1	Pump Mnt Weldt
K2	25		1	Cover Weldt
K2	26		1	Pump Support Weldt
K4	28		2	Chemical Bottle Assy
K3	31		3	Cable Tie

Service Kits

K1	56510888	1	Detergent Pump Kit
K2	56510889	1	Bracket / Hardware Kit
K3	56510891	1	Hose / Fitting Kit
K4	56510892	1	Chemical Bottle Kit



Kit	Item	Ref. No.	Qty	Description	Kit	Item	Ref. No.	Qty	Description
K1,K2,K3	1		2	Scr. Hex 1/4-20 X 1.50		45	56511177	1	Battery Box Weldt NOTE 2
K1,K2,K3	2		6	Scr. Hex 1/4-20 X .62		46	56509738	1	Cover-Battery NOTE 2
K2,K3	3		2	Nut, Wing 1/4-20 NOTE 2		47		1	Assembly-Contactor Panel (See page 35)
K2,K3	4		1	Scr. Hex 1/4-20 X 1.00 NOTE 2		[48]	56510152	1	Harness-Engine Interface
K1,K2,K3	5		10	Wsh, Flt Sae 1/4 NOTE 3			56511545	1	Harness- Lev Engine Interface
K1,K2,K3	6		4	Scr-Pan Phil 1/4-20 X .50		[49]	56510210	1	Cable-U 1 Awg X 13.75
K1,K2,K3	7		4	Scr. Flt Phil 10-24 X .88		[50]	56510211	1	Cable-V 1 Awg X 16.00
K2,K3	8		2	Scr. Hex 3/8-16 X 1.00 NOTE 2		[51]	56510212	1	Cable-W 1 Awg X 19.00
K1,K2,K3	9		1	Nut, Hex Nyl Loc 5/16-18		[52]	56510213	1	Cable-1 Awg X 52.25
K2,K3	10		1	Nut, Hex Nyl Loc 1/4-20 NOTE 2		[53]	56510214	1	Cable-4 Awg X 7.00
K1,K2,K3	11		4	Nut, Hex Nyl Loc 10-24		[54]	56510215	1	Cable-1 Awg X 46.50
K1,K2,K3	12		2	Nut, Hex Nyl Loc:Thin 1/4-20		[55]	56510216	1	Cable-1 Awg X 31.25
K1,K2,K3,K5	13		5	Scr Soc Thd To Hd M6 X 12.0		[56]	56510218	1	Cable-1 Awg X 46.75
K1,K2,K314#				DELETED		[57]	56510220	1	Cable-4 Awg X 7.75
K1,K2,K3	15		4	Scr. Hex Thd Form 1/4-20 X .50		[58]	56510222	1	Cable-6 Awg X 9.00
K1,K2,K3,K5	17		5	Wsh-Int Shprf M6		[59]	56510223	1	Cable-1 Awg X 29.25
K1,K2,K3,K5	18		4	Scr Soc M6-1.0x35		[60]	56510224	1	Cable-1 Awg X 26.50
K2,K3	19		2	Wsh-Flt .392x1.00x.075 NOTE 2		61	56510260	1	Bus Bar-Fuse
	20	56111109	1	Key Switch Assembly S14		62	56510351	1	Cover
K4	21		3	Battery, Gel 12v 98 Ah NOTE 2		63	56511178	1	Strap
	22	56303295	2	Fuse Block	K3	64		2	Scr-Pan Phil Thd Form 10-24 x .38 NOTE 1
	23	56303297	1	Fuse, 400 Amp F1		65	56110423	1	Relay-SPST 12V 75A (K13 / Glow Plugs) NOTE 1
	[24]	56372673	6	Boot-Battery Post		66	56509624	1	Circuit Breaker 40A (CB11 / Glow Plugs) NOTE 1
	25	56380449	1	Battery-12v 45ah Wet NOTE 2		67	56510835	1	Bar-Elect Disconnect NOTE 2
	26	56407130	1	Disconnect, Emergency S15	K2,K3	68		2	Scr-Pan Phil Loc 1/4-20 x 1.50 NOTE 2
	[27]	56409485	2	Cable Assy-1 X 15.00	K1,K2,K3	69		4	Clamp-P
	28	56412089	1	Fuse, 150 Amp F2		[70]	56510217	1	Harness-Glow Plug NOTE 1
	29	56412344	1	Wire Rope Assy NOTE 2		[71]	56510932	1	Cable-4 AWG 23.7
	30	56482365	1	Horn 36v H2		[75]	56383950	1	Resistor Assy-CS7000
	[31]	56493357	8	Insulator-Terminal		[76]	56384394	1	Jumper-Main Broom
	32	56507906	1	Trim, Edge NOTE 2		[77]	56384600	1	Plug-Fuel Selector
K5	33	56511597	1	Controller-Traction Motor A2	K5	78	56003547	5	Wsh Flt 6.4mmx11mmx1.6mm
	[34]	56509173	1	Harness-Main NOTE 4	K5	79	56003403	4	Nut Hex Nyl Loc M6 X 1.00
	[34]	56510986	1	Harness-Main NOTE 5					
	[35]	56383043	1	Harness-Hopper					
	36	56509178	1	Cable Assy-Main Power					
	[37]	56509179	1	Cable Assy-Hopper					
	[38]	56509182	1	Cable Assy-Starter Battery					
	[39]	56509184	1	Harness-Vacuum					
	40	56511559	1	User Interface Panel Assy A3 TSB-FC-2014-019					
	41		1	Circuit Breaker Panel Assy (See page 34)					
	42	56511215	1	Bracket-Connector Mount					
	43	56384489	1	Control Board W/Ground Kit NOTE 8					
	43	56511565	1	Control Board Kit NOTE 6 TSBFC2012-105					
				TSB-FC-2014-011, TSB-FC-2015-028					
	44#	56511715	1	Panel-Controller Heat Sink					

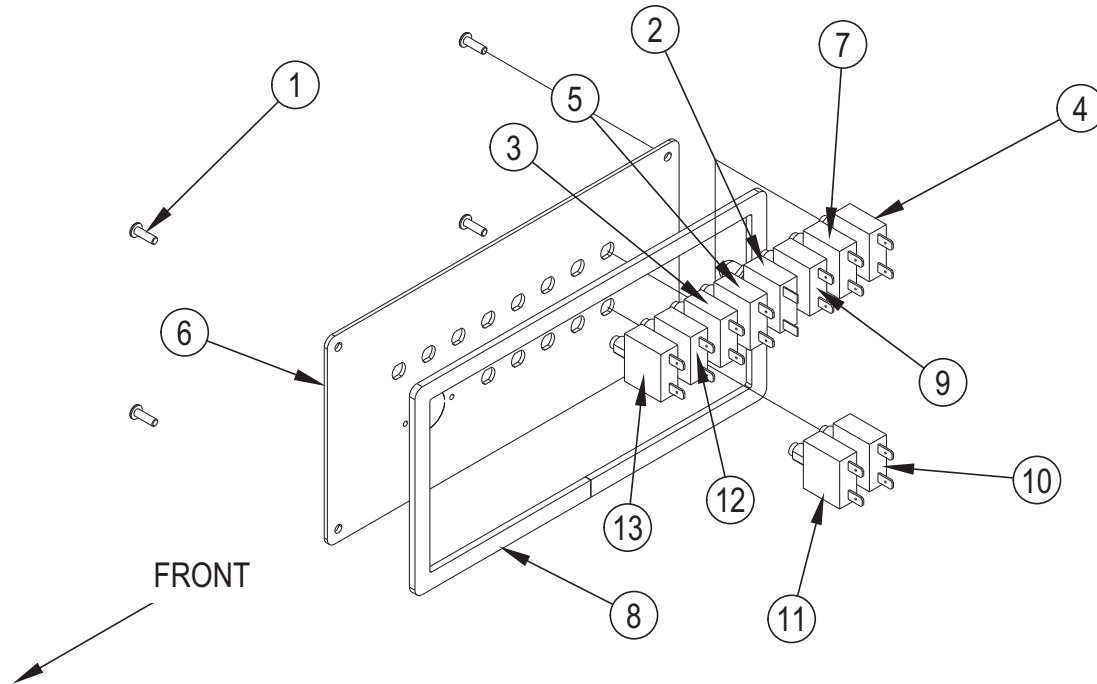
Service Kits

K1	56510784	1	Hardware Kit-Elect Sys Battery
K2	56510780	1	Hardware Kit-Elect Sys LPG
K3	56510782	1	Hardware Kit-Elect Sys Diesel
K4	56510781	1	Battery Kit-Elect Sys LPG / Diesel
K5	56511635	1	Traction Controller Kit

= Revised or new since last update

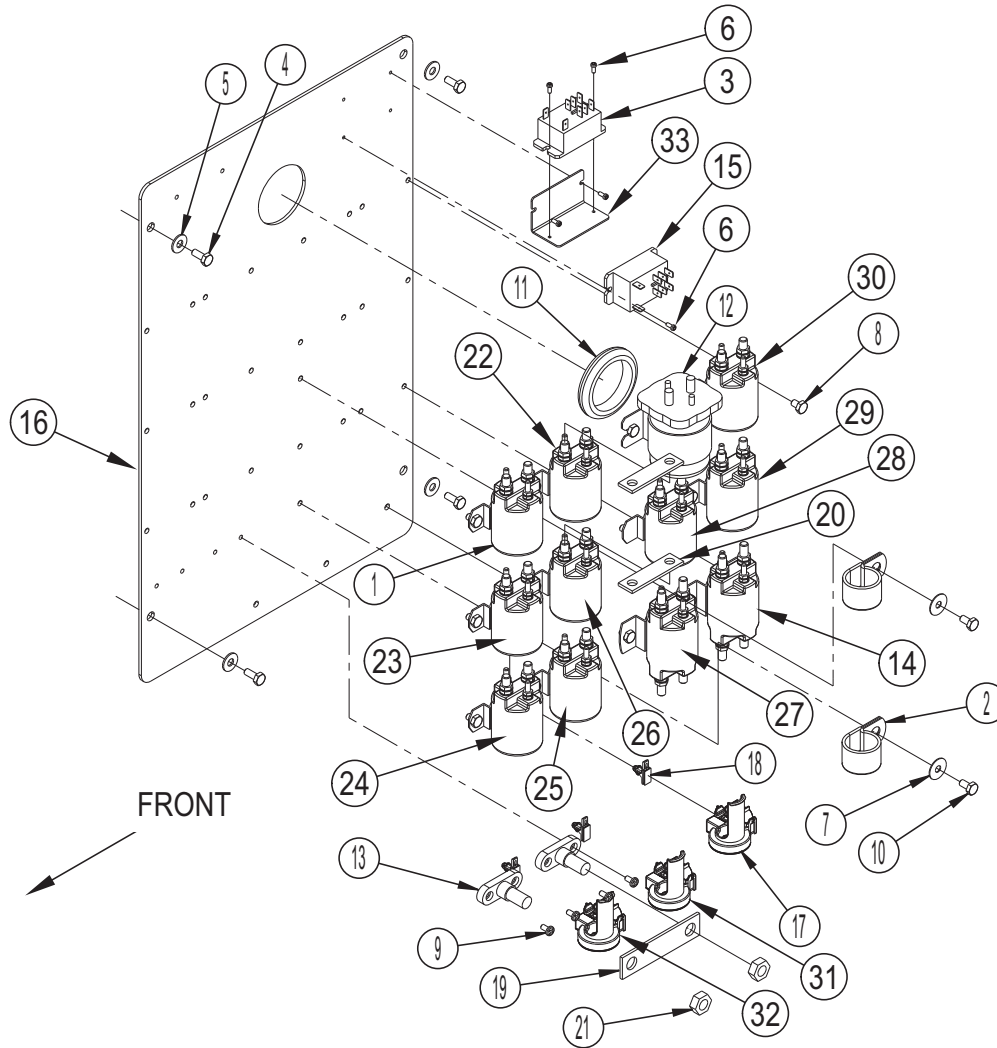
[] = Not Shown

NOTE 1: These items are only used on diesel models.**NOTE 2:** These items are only used on LPG and diesel models.**NOTE 3:** Quantity of 6 on battery models.**NOTE 4:** Used on machines before serial number 1000048160.**NOTE 5:** Used on machines after serial number 1000048159.**NOTE 6:** Refer to instruction sheets 56090153, 56090154 and TSBFC2012-105 when installing the Control Board Kit for the Main PCB Box Assy for machines after serial number 1000053097.**NOTE 8:** This kit is for all CS7000 machines built before serial number 1000053098. Machines built after serial number 1000053097 should refer to the Controller Kit 56511565.



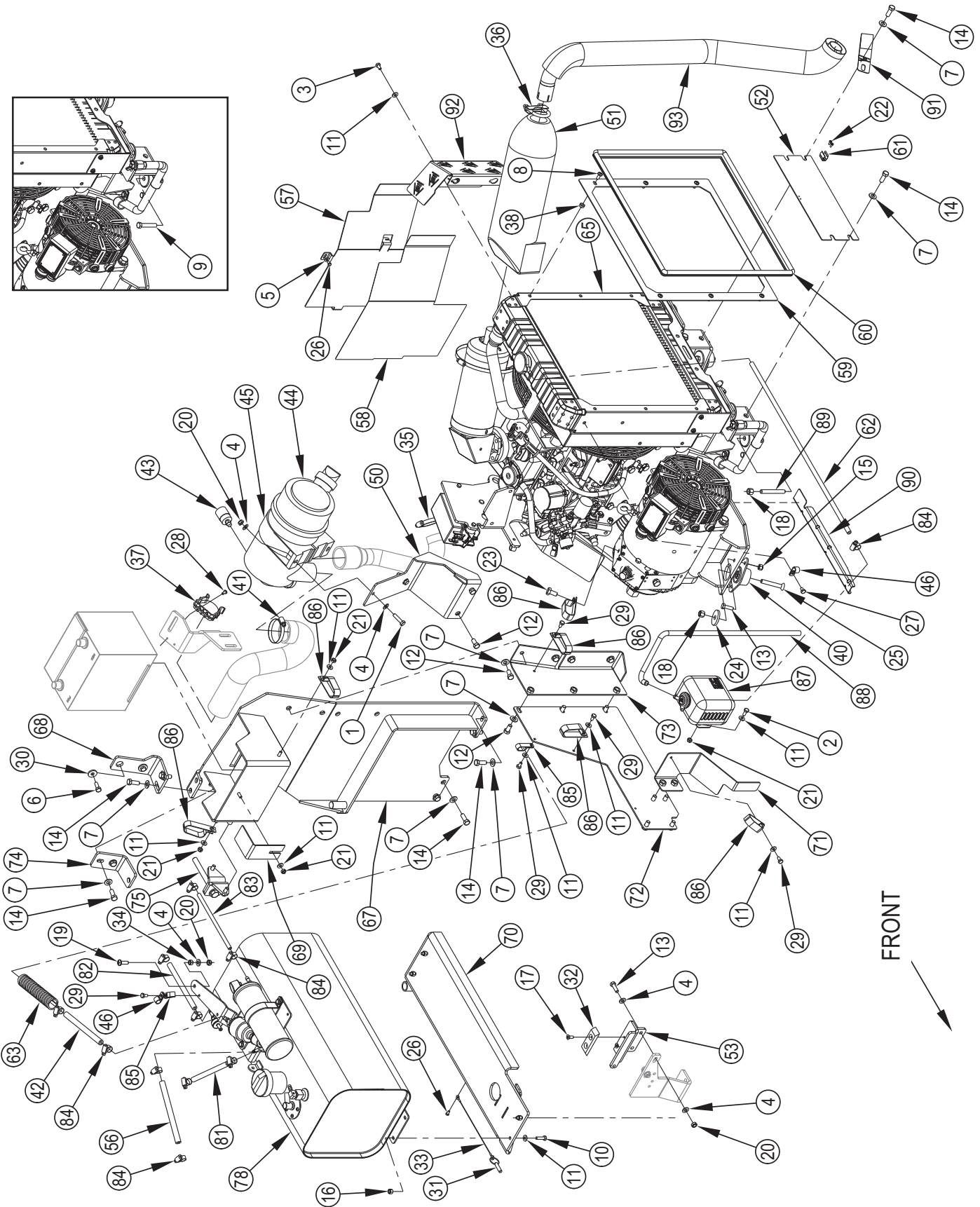
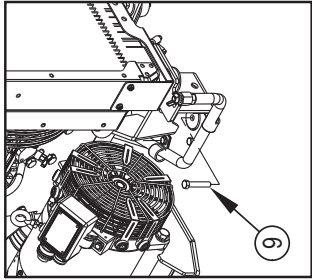
Kit	Item	Ref. No.	Qty	Description
	1	56003902	4	Scr-Truss Phil SS Blk10-24x.50
	2	56315255	1	Circuit Breaker, 5 Amp (CB4 / Ignition)
	3	56413407	1	Circuit Breaker, 15 Amp (CB6 / VACC6)
	4	56413822	1	Circuit Breaker, 20 Amp (CB1 / VACC1)
	5	56507644	1	Circuit Breaker, 10 Amp (CB5 / Dust Control)
	6	56509548	1	Panel-Circuit Breaker
	7	56509623	1	Circuit Breaker-25 Amp (CB2 / VACC2)
	8	56510311	1	Gasket-Panel
	9	56509623	1	Circuit Breaker-25 Amp (CB3 / VACC3)
	10	56413407	1	Circuit Breaker, 15 Amp (CB9 / Engine System)
	11	56509623	1	Circuit Breaker-25 Amp (CB10 / Steering System)
	12	56413407	1	Circuit Breaker-15 Amp (CB7 / Side Broom) NOTE 1
	13	56509623	1	Circuit Breaker-25 Amp (CB8 / Hydraulic Pump)

NOTE 1: Circuit Breaker-25 Amp 56509623 changed to Circuit Breaker-15 Amp 56413407 after serial number 1000054401.



Kit	Item	Ref. No.	Qty	Description
	1	56395450	1	Contactor 36v (K1 / Left Brush)
	2	56409463	2	Clamp, 1.25 Hose Support
	3	40892A	1	Relay, DPDT 36VDC (K14 / Safety)
	4	56001836	4	Scr, Hex 1/4-20 X .62
	5	56001906	4	Wsh, Flt Std 1/4
	6	56002539	6	Scr, Pan Phil Thd Form 6-32 X .31
	7	56003585	2	Wsh-Flt .281x.875x.036
	8	56009019	24	Scr, Hex Thd Form 1/4-20 X .38
	9	56009030	4	Scr, Pan Phil Thd Form 10-24 X .38
	10	56009033	2	Scr, Hex Thd Form 1/4-20 X .50
	11	56262531	1	Grommet
	12	56303198	1	Contactor 36v, Type 4 (K7 / Wheel Drive)
	13	56303298	2	Stud Type Junction Block
	14	56397250	1	Solenoid-Spdt 36v (K12 / Hydraulic Pump)
	15	40892A	1	Relay, DPDT 36VDC (K15 / Aux)
	16	56510041	1	Panel-Contactor

Kit	Item	Ref. No.	Qty	Description
	17	56510042	1	Sensor-Current (B1 / Brush)
	18	56510225	3	Clip-Delphi
	19	56510259	1	Bus Bar-Ground
	20	56510285	2	Bus Bar-Contactor
	21	2-00-00591	2	1/2-20 Hex Jam Nut
	22	56395450	1	Contactor 36v (K2 / Center Brush)
	23	56395450	1	Contactor 36v (K3 / Right Brush)
	24	56395450	1	Contactor 36v (K5 / Vac Motors)
	25	56395450	1	Contactor 36v (K6 / Dust Control)
	26	56395450	1	Contactor 36v (K4 / Main Broom)
	27	56397250	1	Solenoid-Spdt 36v (K11 / Hydraulic Pump)
	28	56395450	1	Contactor 36v (K9 / Aux)
	29	56395450	1	Contactor 36v (K10 / Steering)
	30	56395450	1	Contactor 36v (K8 / Side Brooms)
	31	56510042	1	Sensor-Current (B3 / Vac)
	32	56510042	1	Sensor-Current (B2 / Broom)
	33	56510991	1	Bracket-Relay



3-2011

ENGINE SYSTEM-GASOLINE-PETROL

8-2016

CS7000

37

Kit	Item	Ref. No.	Qty	Description
K2	1		2	Scr-Hex 5/16-18 X 1.25
K2	2		2	Scr-Hex 1/4-20 X .62
K2	3		2	Scr-Hex 1/4-20 X .50
K2	4		9	Wsh, Flt SAE 5/16
K2	5		1	Wsh, Flt SAE #10
K2	6		2	Scr-Hex 5/16-18 X .88
K2	7		23	Wsh, Flt SAE 3/8
K2	8		6	Scr-Pan Phil 1/4-20 X .62
K2	9		3	Scr-Hex 3/8-16 X 2.00 NOTE 1
K2	10		4	Scr-Hex 1/4-20 X 1.00
K2	11		14	Wsh, Flt SAE 1/4
K2	12		13	Scr-Hex 3/8-16 X .75
K2	13		10	Scr-Hex 5/16-18 X 1.00
K2	14		12	Scr-Hex 3/8-16 X 1.00
K2	15		8	Nut, Hex Nyl Loc 5/16-18
K2	16		4	Nut, Hex Nyl Loc 1/4-20
K2	17		2	Scr-Flt Phil 1/4-20 X .62
K2	18		4	Nut-Hex Nyl Loc 3/8-16
K2	19		1	Scr-Pan Phil 5/16-18 X 1.00
K2	20		5	Nut, Hex Nyl Loc-Thin 5/16-18
K2	21		5	Nut, Hex Nyl Loc-Thin 1/4-20
K2	22		2	Scr-Pan Phil SS 6-32 X .38
K2	23		1	Scr, Hex Thd To Hd M10-1.5 X 20mm
K2	24		4	Wsh Flt Steel .406cv31c
K2	25		1	Scr-Flt Soc SS 3/8-16 X 2.50
K2	26		2	Scr, Hex Thd Form 10-24 X .38
K2	27		1	Scr, Hex Thd Form 1/4-20 X .38
K2	28		2	Scr, Pan Phil Thd Form 10-24 X .50
K2	29		5	Scr, Hex Thd Form 1/4-20 X .50
K2	30		2	Wsh, Flt .344 X .938 X .125
	31	56050356	1	Pin Quickrlse-- .312dia .625l
	32	56110514	1	Skid
	33	56314400	1	Wire Rope, 9 Inch
	34	56320595	1	Bushing .32x.50x.28
	35	56329145	1	Clamp- Hose SAE #24
	36	56343236	1	Clamp, Muffler 1.50
	37	56396199	1	Clamp, Plastic
	38	56410057	6	Bushing, .26 Id X .50 Od
	40	56419300	4	Mount, Isolator, Stiff
	41	56440213	2	Clamp- Hose SAE #32
	42	56511254	1	Hose Fuel
	43	56478461	1	Indicator, Service
	44	56482478	1	Cleaner, Air
	[]	56482028	1	Filter Safety (for 56482478)
	[]	56482029	1	Filter Primary (for 56482478)
	45	56482621	1	Band Assy
	46	56486112	2	Clamp-P
	50	56510159	1	Air Cleaner Mnt Weldt
K4	51	56384176	1	Blanket-Catalytic Converter
	52	56510284	1	Plate-Guard

Kit	Item	Ref. No.	Qty	Description
	53	56510295	1	Mount Weldt
	56	56306096	1	Hose Fuel
	57	56510652	1	Shield-Heat-Muffler
	58	56510714	1	Foam Insulation
	59	56510716	1	Mount-Radiator Seal
	60	56510730	1	Trim-Seal
	61	56510834	1	Clip-Spring 1/2
	62	56510953	1	Hose-Black 1/4 Id X 25
	63	56419452	1	Conduit
	65		1	Petrol Engine Assy (See pages 38 and 39)
	67	56511118	1	Fuel Tank Support Weldt
	68	56511120	1	Bracket-Tank Support
	69	56511122	1	Holddown-Battery
	70	56511128	1	Tank Pivot Weldt
	71	56511141	1	Cable Guard Weldt
	72	56511142	1	Plate-Tank Guard
	73	56511143	1	Guard Mnt Weldt
	74	56511174	1	Bracket-Tank Pivot
	75	56511199	1	Belt Removal Tool
	78		1	Tank Assy (See pages 42 and 43)
	81	56511248	1	Hose-Fuel Line
	82	56511249	1	Hose-Fuel Line
	83	56511251	1	Hose-Fuel Line
	84	56756364	11	Clamp- Hose SAE #4
	85	2-00-04603	2	Clamp-Hose (Double) 1/2 O.D.
	86	2-00-05253	6	Clamp, 3/4" Wire, Double
	87	7-07-02002	1	Overflow Bottle Assy
	88	7-33-02644	1	Hose, 1/4" Id X 28" Long, Clear
	89	56511500	3	Stud-Double Ended NOTE 2
	90	56384017	1	Guard-Wire Harness
K3,K4	91	56511631	1	Hanger-Tailpipe
K3,K4	92	56511639	1	Shield-Heat
K3,K4	93	56511666	1	Exhaust Pipe Weldment-Petrol

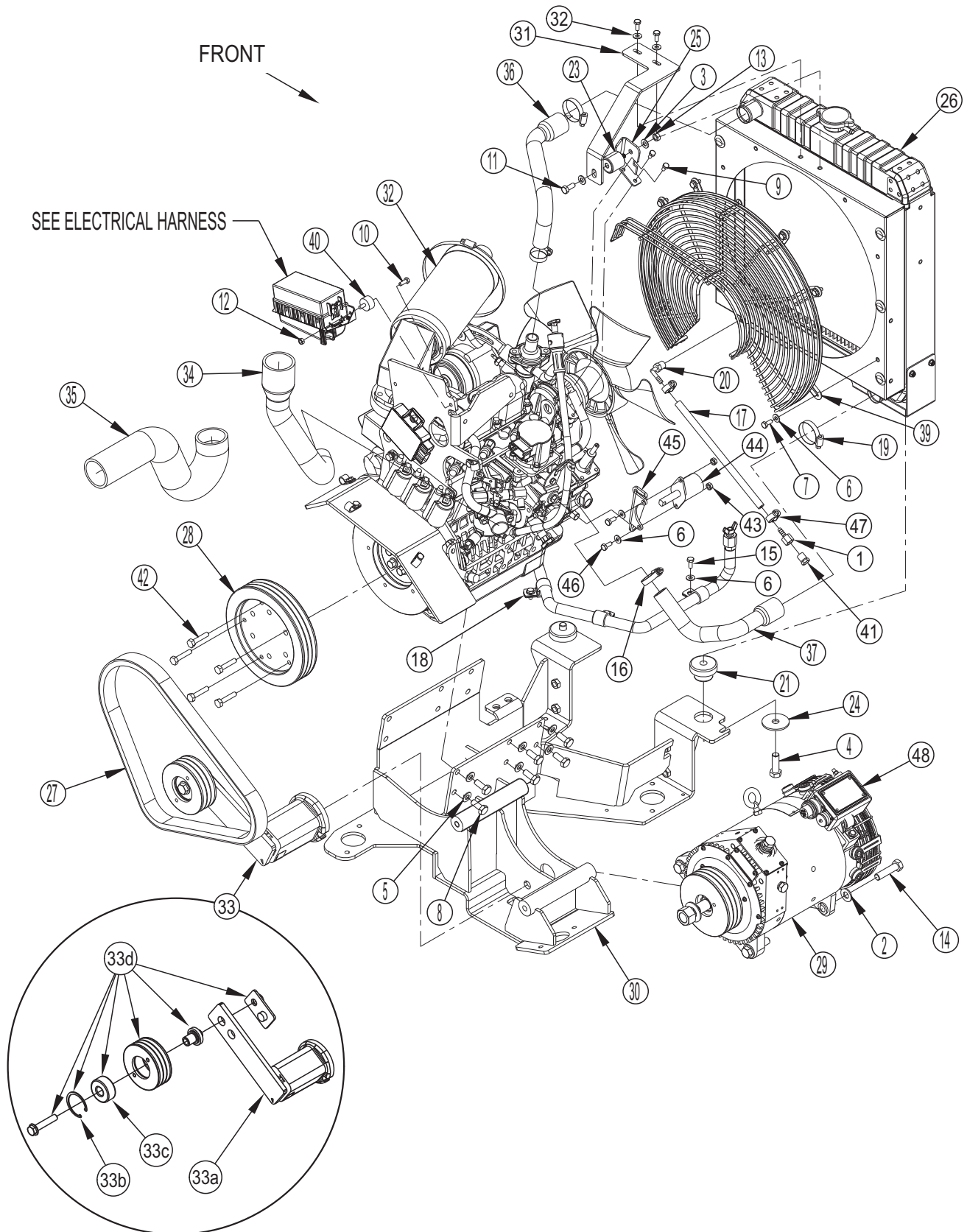
Service Kits

K2	56510795	1	Hardware Kit-Engine System LPG
K3	56511717	1	Exhaust Pipe Kit-Carbureted
K4	56511719	1	Exhaust System Kit-Carbureted

[] = Not Shown

NOTE 1: Used on machines before serial number 1000051215**NOTE 2:** Used on machines after serial number 1000051214

FORM NO. 56042540



3-2011

ENGINE ASSY-GASOLINE-PETROL

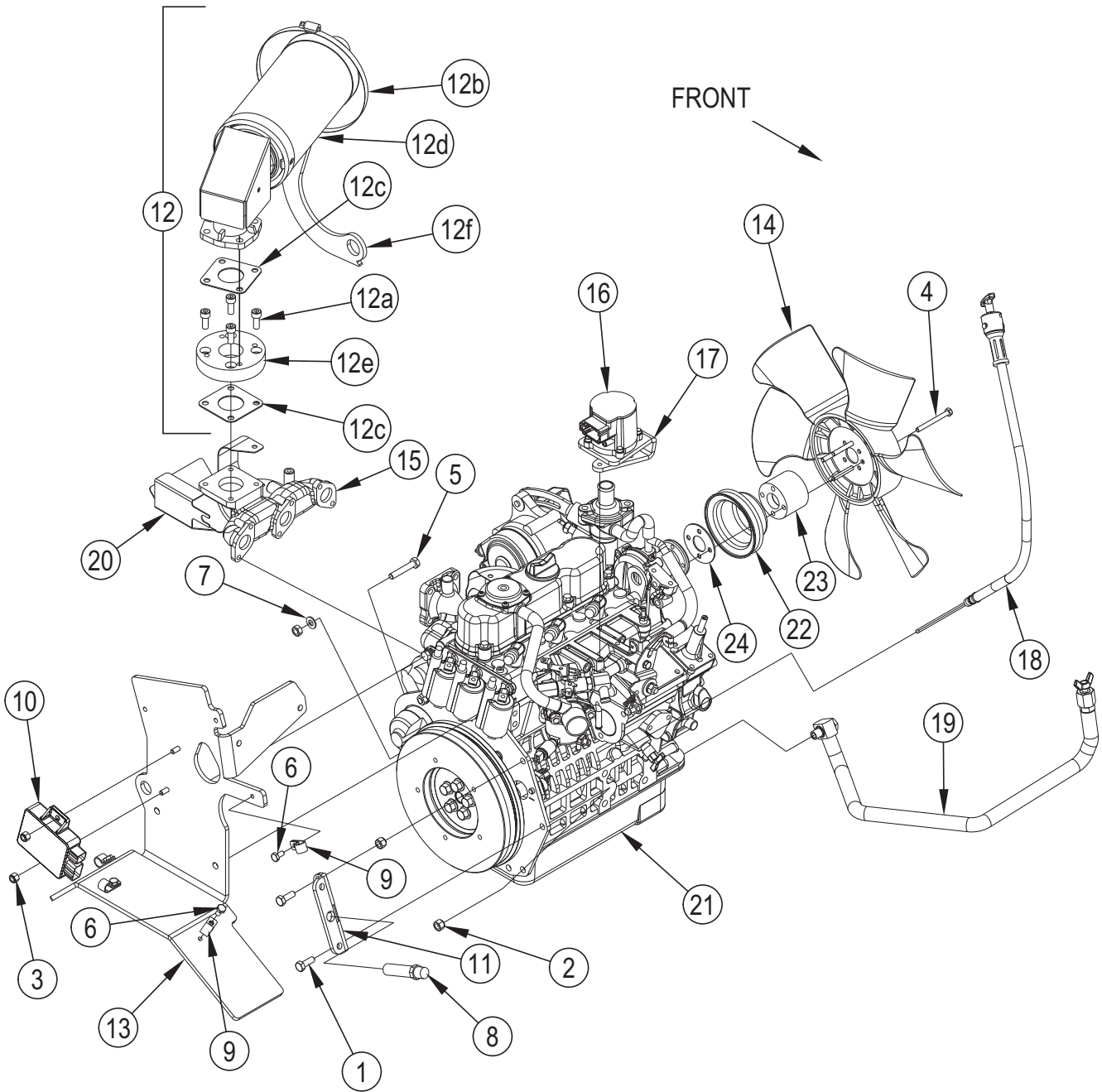
6-2015

CS7000**39**

Kit	Item	Ref. No.	Qty	Description
	1	56756360	1	Barb, Hose Female
	2	56001879	3	Wsh-Flt SAE 1/2
	3	56001939	2	Wsh, Flt SAE 5/16
	4	56001968	2	Scr, Hex 1/2-13 X 1.50
	5	56009112	12	Wsh Int Shprf 3/8
	6	56002098	11	Wsh, Flt SAE 1/4
	7	56002922	8	Scr, Hex Hd Loc 1/4-20x.62
	8	56003019	12	Scr-Hex M10-1.25 X 25mm
	9	56003155	2	Scr-Hex M6-1 X 12mm
	10	56003174	2	Scr, Hex Thd To Hd M6-1 X 16mm
	11	56003179	1	Scr, Hex Thd To Hd M8-1.25 X 20mm
	12	56003350	2	Nut, Hex M6-1
	13	56003352	1	Nut, Hex M8-1.25
	14	56003740	3	Scr, Hex Thd To Hd 1/2-13 X 2.00
	15	56009250	3	Scr, Hex Thd Form 1/4-20 X .62
	16	56131601	2	Clamp- Hose SAE #16
	17	56510958	1	Hose-Coolant
	18	56412332	3	Clamp, Hose Support
	19	56413839	2	Clamp- Hose SAE #20
	20	56470138	1	Barb, 90 Elbow 1/4 X 1/4npt
	21	56478685	2	Mount, Rubber
	[22]	56504531	1	Harness-Ignition-Df-Wg972
	23	56507372	1	Isolator-Engine
	24	56507448	2	Washer, Isolator Tail
	25		1	Bracket, Upper Radiator Iso Mount
	26	56509210	1	Radiator
	27	56509442	1	Belt-3vx X 45.0 TSB-FC-2014-022
	28	56509443	1	Sheave-3v X 8.00
	29	56509345	1	Alternator Assy G1
	[]	56509501	1	Sheave-3V x 5.00 (for 56509345)
	30	56509570	1	Eng/Alt Mnt Weldt
	31	56509809	1	Bracket-Radiator
	32		1	Petrol Engine Assy (See pages 40 and 41)
	33		1	Tensioner Assy
	33a	56509923	1	Tensioner-Automatic (for Tensioner Assy)
	33b	56003314	1	Ring Ret Int Type Ho 2.047 Dia (for Tensioner Assy)
	33c	56509716	1	Bearing (for Tensioner Assy)
	33d	56510854	1	Idler Pulley Kit (for Tensioner Assy)
	34	56510078	1	Hose-Air Cleaner
	35	56510090	1	Hose-Air Cleaner
	36	56510128	1	Hose-Radiator
	37	56510129	1	Hose-Radiator
	[38]	56510369	1	Harness-Kubota Df972
	39	56510484	1	Fan Guard Assy-Lpg
	40	56510718	2	Isolator-Relay Box
	41	56740136	1	Plug, Pipe
	42	56003361	5	Scr Hex Hd M8 X 35.0
	43	56002561	2	Nut Hex W/SHRPF 1/4/20
	44	56511222	1	Solenoid-Choke
	45	56511221	1	Bracket-Choke Solenoid
	46	56001836	2	Scr Hex 1/4-20 X .62
	47	56756364	2	Clamp Hose SAE 4
	48	56383568	1	Voltage Regulator Kit-42v

[] = Not Shown

FORM NO. 56042540



3-2011

ENGINE SUB ASSY-GASOLINE-PETROL

8-2016

CS7000**41**

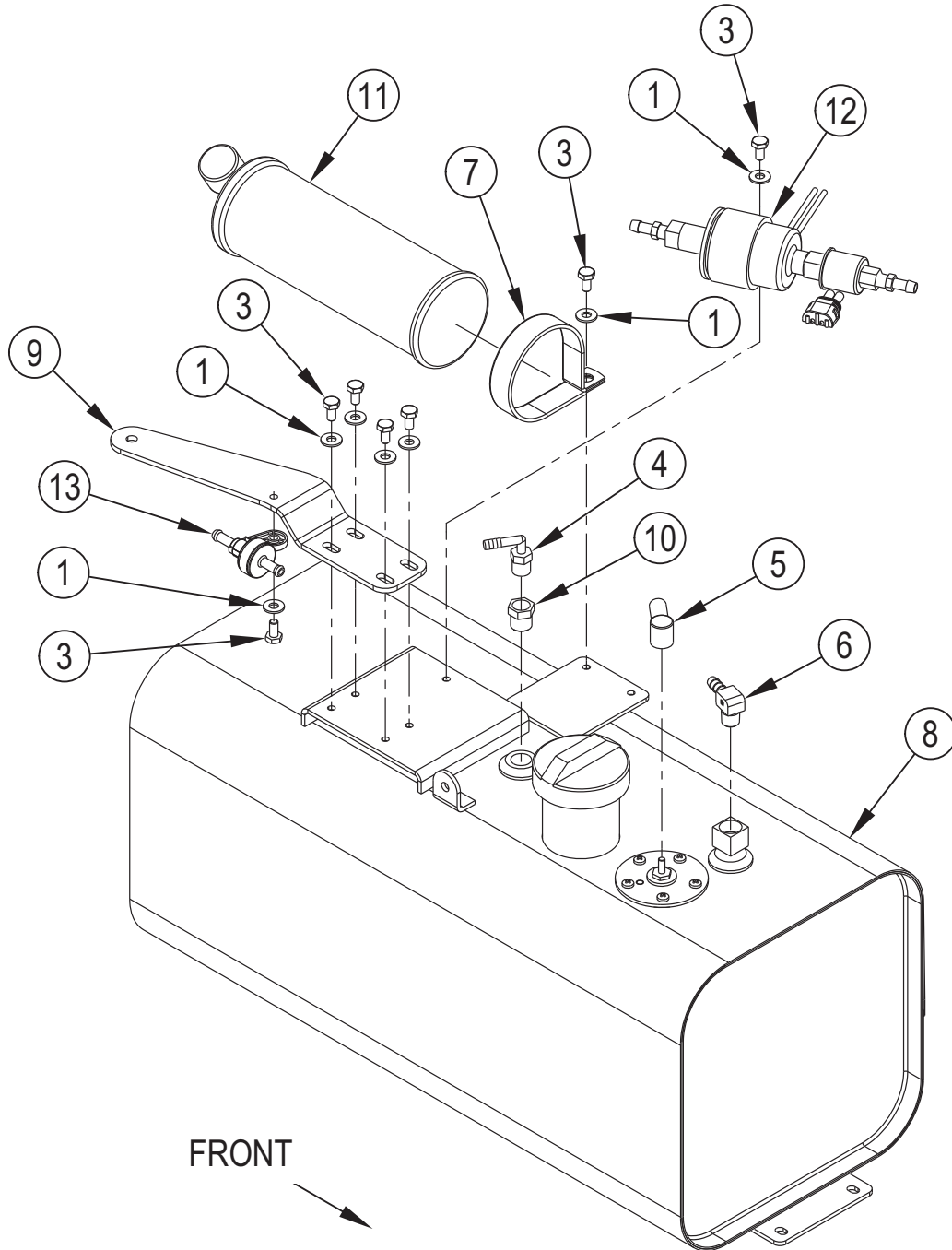
Kit	Item	Ref. No.	Qty	Description	Engine Replacement Parts
	1	56002037	2	Scr-Hex 5/16-18 X .88	[] 56508454 1 Thermostat Kit
	2	56002701	2	Nut, Hex Nyl Loc 5/16-18	[] 56510185 1 Governor-Controller
	3	56002708	2	Nut, Hex Nyl Loc 1/4-20	[] 56383566 1 Linkage Kit-Governor
	4	56003169	4	Scr-Hex M6-1 X 60mm	[] 56383567 1 Hardware Kit-Governor Mtg
	5	56003180	1	Scr, Hex Thd To Hd M8-1.25 X 25mm	[] 56510152 1 Harness-Engine Interface
	6	56009033	4	Scr, Hex Thd Form 1/4-20 X .50	[] 56510369 1 Harness-Kubota DF972
	7	56009052	1	Wsh, Int Shprf 5/16	[] 56504531 1 Harness-Ignition-DF-WG972
	8	56111319	1	Speed Sensor	[] 56508455 1 Plug Wire/Coil Kit (3 Wires & 3 Caps)
	9	56486112	4	Clamp-P	[] 56380493 1 Spark Plug Wire Kit- Cyl #1
	10	56508445	1	Spark Controller	[] 56380494 1 Spark Plug Wire Kit- Cyl #2
	11	56509853	1	Bracket-Mag Pickup	[] 56380495 1 Spark Plug Wire Kit- Cyl #3
	12		1	LPG Exhaust Assy	[] 56508456 3 Spark Plug
K1	12a		4	Scr-Soc Hd M8-1.25 X 20 Mm TSB-FC-2016-270	[] 0775-295 1 Alternator W/Pulley (40 Amp)
	12b	56355488	1	Clamp- Hose SAE #96	[] 56508440 1 Starter Motor
K1	12c		2	Exhaust Gasket TSB-FC-2016-270	[] 56419091 1 Switch, Temp
	12d	56510163	1	Muffler-Cat	[] 56508457 1 Water Pump Assy
	12e	56510166	1	Spacer-Exhaust	[] 56508458 1 Oil Filter Cartridge
	12f	56510177	1	Bracket-Support	[] 56510299 1 Dipstick-DF972
	13	56509998	1	Coil Mount Weldt	[] 56508459 1 Gasket, Exhaust (Exhaust Manifold)
	14	56510140	1	Fan-Cooling	[] 56419090 1 Oil Pressure Switch
	15	56510184	1	Manifold-Exhaust	[] 56510163 1 Muffler-Cat
	16	56510185	1	Governor-Controller	[] 56510629 1 Belt, Fan/Alternator
	17	56510186	1	Bracket-Governor Mnt	[] 56510128 1 Hose-Radiator (Upper)
	18		1	Dipstick Assy	[] 56510129 1 Hose-Radiator (Lower)
	19	56510200	1	Remote Oil Drain Assy	[] 56510078 1 Hose-Air Cleaner (Air Cleaner To Intake)
	20	56510349	1	Shield-Heat	[] 56510090 1 Hose-Air Cleaner (Air Cleaner Inlet)
	21	56510535	1	Engine-Kubota DF972 T3	[] 56504429 1 Relay-Engine Power
	22	56510552	1	Pulley-Fan	[] 56504518 1 Relay-Fuel Pump
	23	56510553	1	Spacer-Fan	[] 50360A 1 Adapter, 1/8 Bspm X 1/8 Nptf
	24	56510554	1	Spacer-Pulley	[] 56510976 1 Gasket Set-Upper WG972
					[] 56510977 1 Gasket Set-Lower WG972
					[] 56510978 1 Bracket-Alternator Adj
					[] 56510979 1 Pulley-Crankshaft
					[] 56510980 1 Housing-Thermostat
					[] 56510981 1 Carburetor-WG972
					[] 56504527 1 Gasket-Valve Cover-DF972
					[] 56510971 1 Pulley-Alternator
					[] 56482028 1 Filter Safety
					[] 56482029 1 Filter Primary
					[] 56383025 1 Cap-Oil Fill
					[] 56508355 1 Fuel Pump Electronic
					[] 56511234 1 Evaporative Canister
					[] 56511244 1 Check Valve-Petrol Assy
					[] 56508354 1 Fuel Cap
					[] 56510613 1 Sender-Fuel Level
					[] 56510614 1 Tube-Fuel Withdrawl

Service Kits

K1 56384867 1 Exhaust Gasket Kit (includes four Hex Head Bolts not shown)

[] = Not Shown

FORM NO. 56042540



3-2011

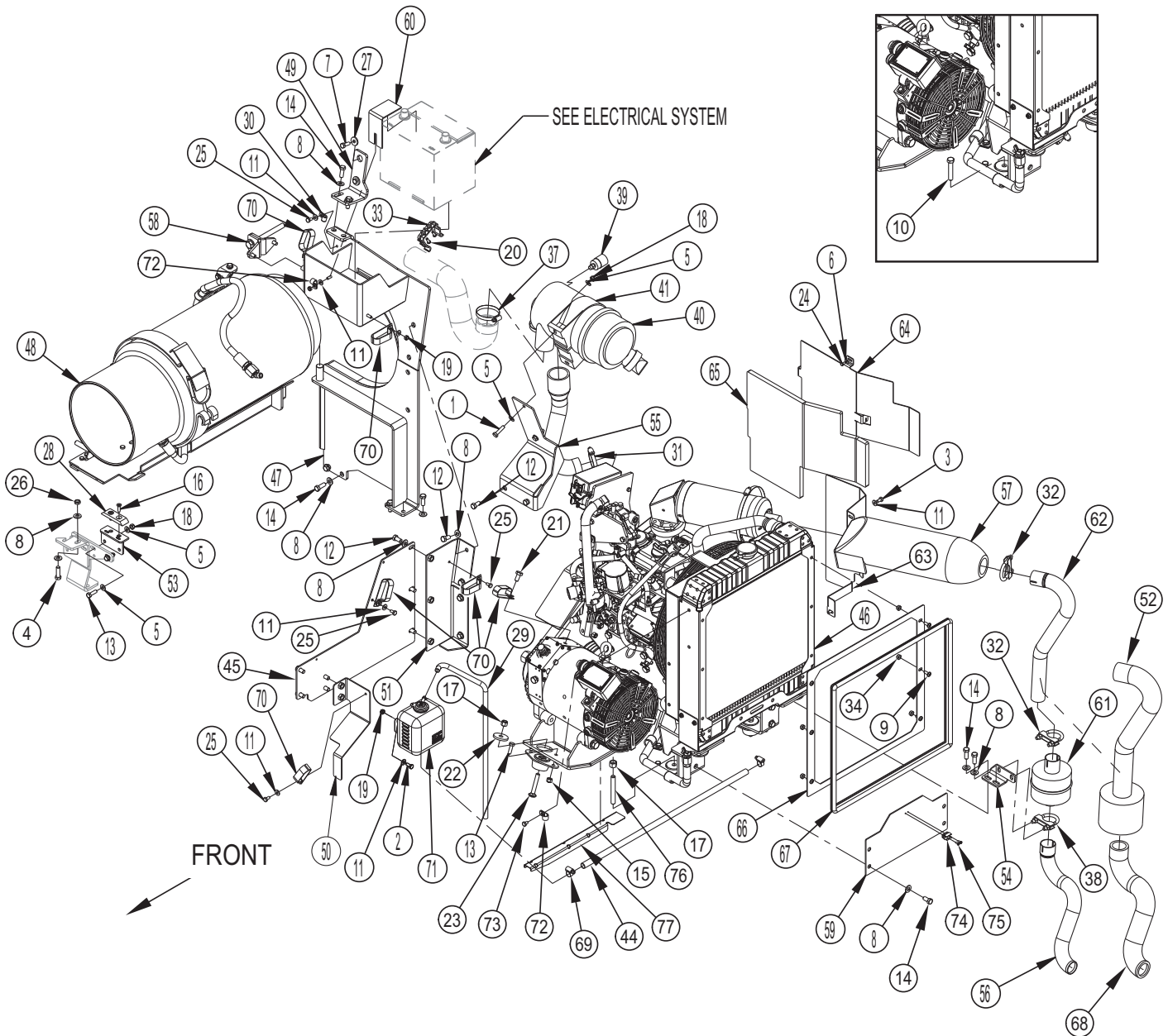
GASOLINE-PETROL TANK ASSY

6-2013

CS7000**43**

Kit	Item	Ref. No.	Qty	Description
	1	56002098	7	Wsh, Flt SAE 1/4
	3	56009033	7	Scr, Hex Thd Form 1/4-20 X .50
	4	56470138	1	Barb, 90 Elbow 1/4 X 1/4npt
	5	56492305	1	Boot, Rubber
	6	56510495	1	Barb-90 Elbow 5/16 X 1/4npt
	7	56511233	1	P-Clamp
	8	56511235	1	Fuel Tank Assembly
	9	56511247	1	Bracket-Tank Support
	10	56750363	1	Bushing, 3/8 Npt - 1/4 Npt
	11	56511234	1	Evaporative Canister
	12	56508355	1	Fuel Pump Electronic
	13	56511244	1	Check Valve-Petrol Assy
	[]	56508354	1	Fuel Cap
	[]	56510613	1	Sender-Fuel Level S12
	[]	56510614	1	Tube-Fuel Withdrawl

[] = Not Shown



3-2011

ENGINE SYSTEM-LPG

11-2016

CS7000**45**

Kit	Item	Ref. No.	Qty	Description
K2	1		2	Scr. Hex 5/16-18 X 1.25
K2	2		2	Scr. Hex 1/4-20 X .62
K2	3		3	Scr. Hex 1/4-20 X .50
K2	4		1	Scr. Hex 3/8-16 X 1.25
K2	5		8	Wsh. Flt SAE 5/16
K2	6		1	Wsh. Flt SAE #10
K2	7		2	Scr. Hex 5/16-18 X .88
K2	8		25	Wsh. Flt SAE 3/8
K2	9		6	Scr-Pan Phil 1/4-20 X .62
K2	10		3	Scr. Hex 3/8-16 X 2.00 NOTE 1
K2	11		11	Wsh. Flt SAE 1/4
K2	12		13	Scr. Hex 3/8-16 X .75
K2	13		10	Scr. Hex 5/16-18 X 1.00
K2	14		12	Scr. Hex 3/8-16 X 1.00
K2	15		8	Nut. Hex Nyl Loc 5/16-18
K2	16		2	Scr. Flt Phil 1/4-20 X .88
K2	17		4	Nut-Hex Nyl Loc 3/8-16
K2	18		4	Nut. Hex Nyl Loc-Thin 5/16-18
K2	19		5	Nut. Hex Nyl Loc-Thin 1/4-20
K2	20		2	Scr Panphil Thd Form 10-24x.50
K2	21		1	Scr. Hex Thd To Hd M10-1.5 X 20mm
K2	22		4	Wsh Flt Steel .406cv31c
K2	23		1	Scr-Carriage 3/8-16 X 2.50
K2	24		1	Scr. Hex Thd Form 10-24 X .38
K2	25		4	Scr. Hex Thd Form 1/4-20 X .50
K2	26		1	Nut-Hex Jam 3/8-16
K2	27		2	Wsh. Flt .344 X .938 X .125
	28	56110514	1	Skid
	29	7-33-02644	1	Hose, 1/4" Id X 28" Long, Clear
	30	56323260	1	Clamp. Hose Support
	31	56329145	1	Clamp- Hose SAE #24
	32	56343236	2	Clamp. Muffler 1.50
	33	56396199	1	Clamp. Plastic
	34	56410057	6	Bushing, .26 Id X .50 Od
	36	56419300	4	Mount. Isolator. Stiff
	37	56440213	2	Clamp- Hose SAE #32
K1	38		1	Clamp. Muffler 1.50
	39	56478461	1	Indicator. Service

Kit	Item	Ref. No.	Qty	Description
	40	56482478	1	Cleaner. Air
	[]	56482028	1	Filter Safety (for 56482478)
	[]	56482029	1	Filter Primary (for 56482478)
	41	56482621	1	Band Assy
	44	56510953	1	Hose-Black 1/4 ID x 25
	45	56511142	1	Plate-Tank Guard
	46		1	LPG Engine Assy (See pages 46 and 47)
	47	56509741	1	Cover Weldt
	48		1	LP Fuel Tank Assy (See pages 58 and 59)
	49	56511120	1	Bracket-Tank Support
	50	56511141	1	Cable Guard Weldt
	51	56511143	1	Guard Mnt Weldt
	52#	56384388	1	Exhaust Blanket Kit-Lpg TSB-FC-2015-003 TSB-FC-2015-026, TSB-FC-2016-279
	53	56510098	1	Tank Mnt Weldt
	54	56511117	1	Bracket-Muffler
	55	56510159	1	Air Cleaner Mnt Weldt
K1	56		1	Tailpipe-Lpg
	57	56384387	1	Exhaust Blanket Kit-Lpg TSB-FC-2015-003 TSB-FC-2015-026
	58	56511199	1	Belt Removal Tool
	59	56510284	1	Plate-Guard
	60	56511122	1	Holddown-Battery
	61	56510544	1	Silencer-Exhaust
	62	56510545	1	Exhaust Pipe-Lpg
	63	56510631	1	Shield-Heat
	64	56510652	1	Shield-Heat-Muffler
	65	56510714	1	Foam Insulation
	66	56510716	1	Mount-Radiator Seal
	67	56510730	1	Trim-Seal
K1	68		1	Blanket-Tailpipe Only Lpg TSB-FC-2015-003 TSB-FC-2015-026
	69	56756364	1	Clamp- Hose SAE #4
	70	2-00-05253	6	Clamp. 3/4" Wire, Double
	71	7-07-02002	1	Overflow Bottle Assy
	72	56486112	2	Clamp P
K2	73		1	Scr Hex Thd Form 1/4-20x .38
	74	56510834	1	Clip-Spring 1/2
	75	56002909	2	Scr Pan Phil SS 6-32 X .38
	76	56511500	3	Stud-Double Ended NOTE 2
	77	56384017	1	Guard-Wire Harness

Service Kits

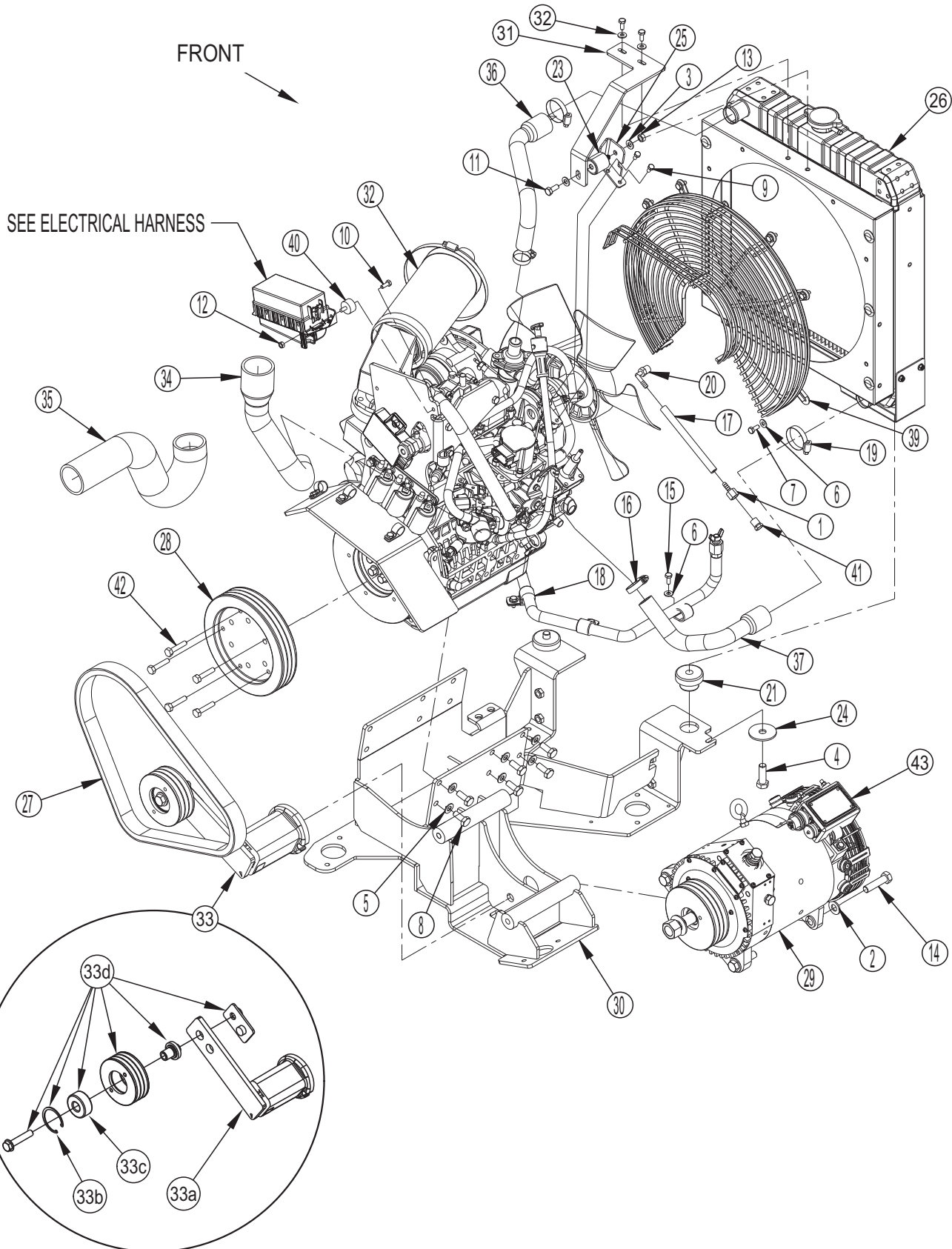
K1	56384389	1	Tailpipe Kit-LPG
K2	56510795	1	Hardware Kit-Engine System LPG

= Revised or new since last update

[] = Not Shown

NOTE 1: Used on machines before serial number 1000051215**NOTE 2:** Used on machines after serial number 1000051214

FORM NO. 56042540



3-2011

ENGINE ASSY-LPG

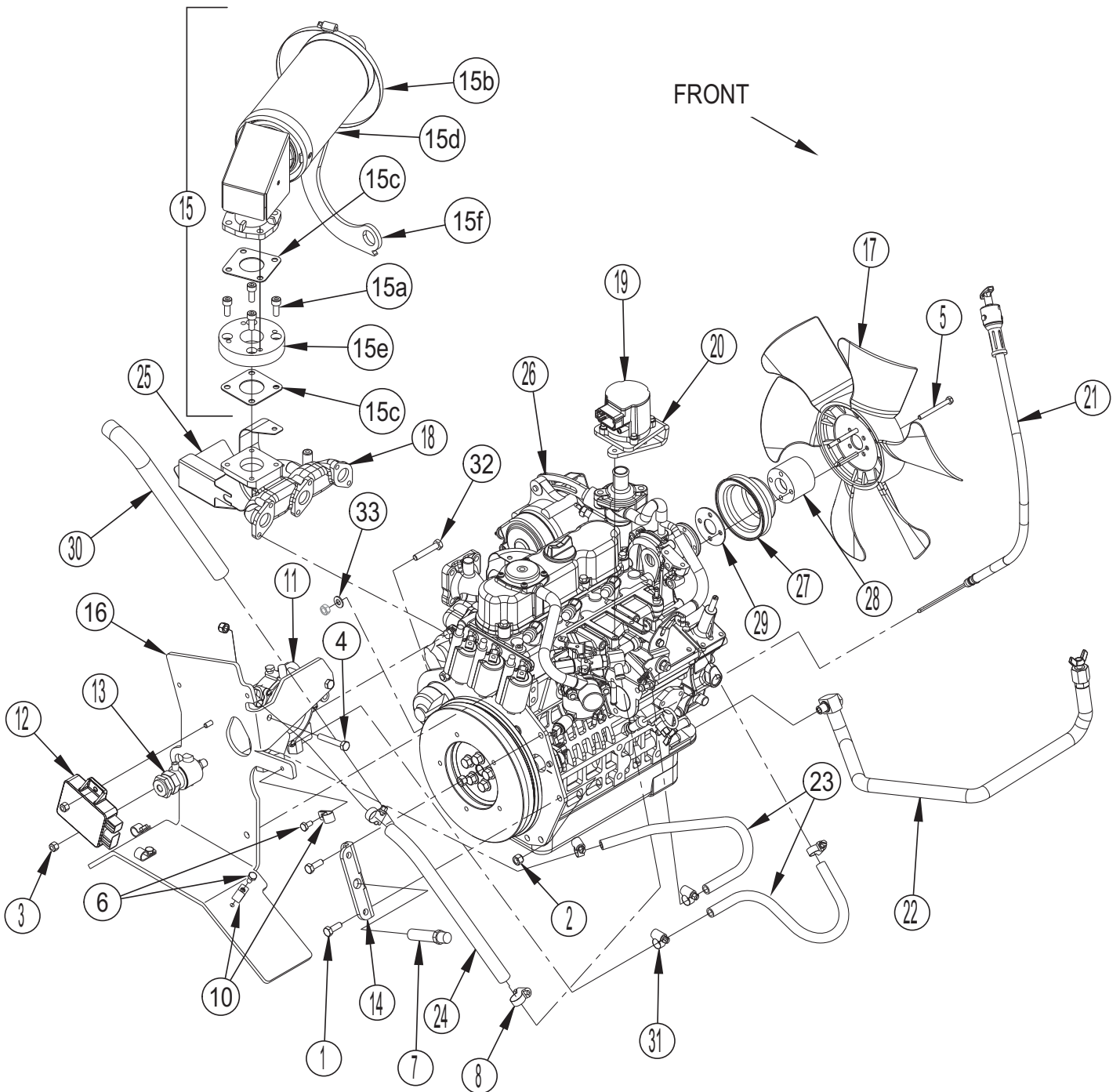
6-2015

CS7000**47**

Kit	Item	Ref. No.	Qty	Description
	1	56756360	1	Barb, Hose Female
	2	56001879	3	Wsh-Flt SAE 1/2
	3	56001939	2	Wsh, Flt SAE 5/16
	4	56001968	2	Scr, Hex 1/2-13 X 1.50
	5	56002063	12	Wsh, Flt SAE 3/8
	6	56002098	11	Wsh, Flt SAE 1/4
	7	56002922	8	Scr, Hex Hd Loc 1/4-20x.62
	8	56003019	12	Scr-Hex M10-1.25 X 25mm
	9	56003155	2	Scr-Hex M6-1 X 12mm
	10	56003174	2	Scr, Hex Thd To Hd M6-1 X 16mm
	11	56003179	1	Scr, Hex Thd To Hd M8-1.25 X 20mm
	12	56003350	2	Nut, Hex M6-1
	13	56003352	1	Nut, Hex M8-1.25
	14	56003740	3	Scr, Hex Thd To Hd 1/2-13 X 2.00
	15	56009250	3	Scr, Hex Thd Form 1/4-20 X .62
	16	56244969	2	Clamp- Hose SAE #12
	17	56510958	1	Hose-Coolant
	18	56412332	3	Clamp, Hose Support
	19	56413839	2	Clamp- Hose SAE #20
	20	56470138	1	Barb, 90 Elbow 1/4 X 1/4npt
	21	56478685	2	Mount, Rubber
	[22]	56504531	1	Harness-Ignition-Df-Wg972
	23	56507372	1	Isolator-Engine
	24	56507448	2	Washer, Isolator Tail
	25		1	Bracket, Upper Radiator Iso Mount
	26	56509210	1	Radiator
	27	56509442	1	Belt-3vx X 45.0 TSB-FC-2014-022
	28	56509443	1	Sheave-3v X 8.00
	29	56509345	1	Alternator Assy G1
	[]	56509501	1	Sheave-3V x 5.00 (for 56509345 in LPG)
	30	56509570	1	Eng/Alt Mnt Weldt
	31	56509809	1	Bracket-Radiator
	32		1	LPG Engine Assy (See pages 48 and 49)
	33		1	Tensioner Assy
	33a	56509923	1	Tensioner-Automatic (for Tensioner Assy)
	33b	56003314	1	Ring Ret Int Type Ho 2.047 Dia (for Tensioner Assy)
	33c	56509716	1	Bearing (for Tensioner Assy)
	33d	56510854	1	Idler Pulley Kit (for Tensioner Assy)
	34	56510078	1	Hose-Air Cleaner
	35	56510090	1	Hose-Air Cleaner
	36	56510128	1	Hose-Radiator
	37	56510129	1	Hose-Radiator
	[38]	56510369	1	Harness-Kubota Df972
	39	56510484	1	Fan Guard Assy-Lpg
	40	56510718	2	Isolator-Relay Box
	41	56740136	1	Plug, Pipe
	42	2-00-06532	5	Hhc, M8 X 1.25 X 40mm
	43	56383568	1	Voltage Regulator Kit-42v

[] = Not Shown

FORM NO. 56042540



3-2011

ENGINE SUB ASSY-LPG

8-2016

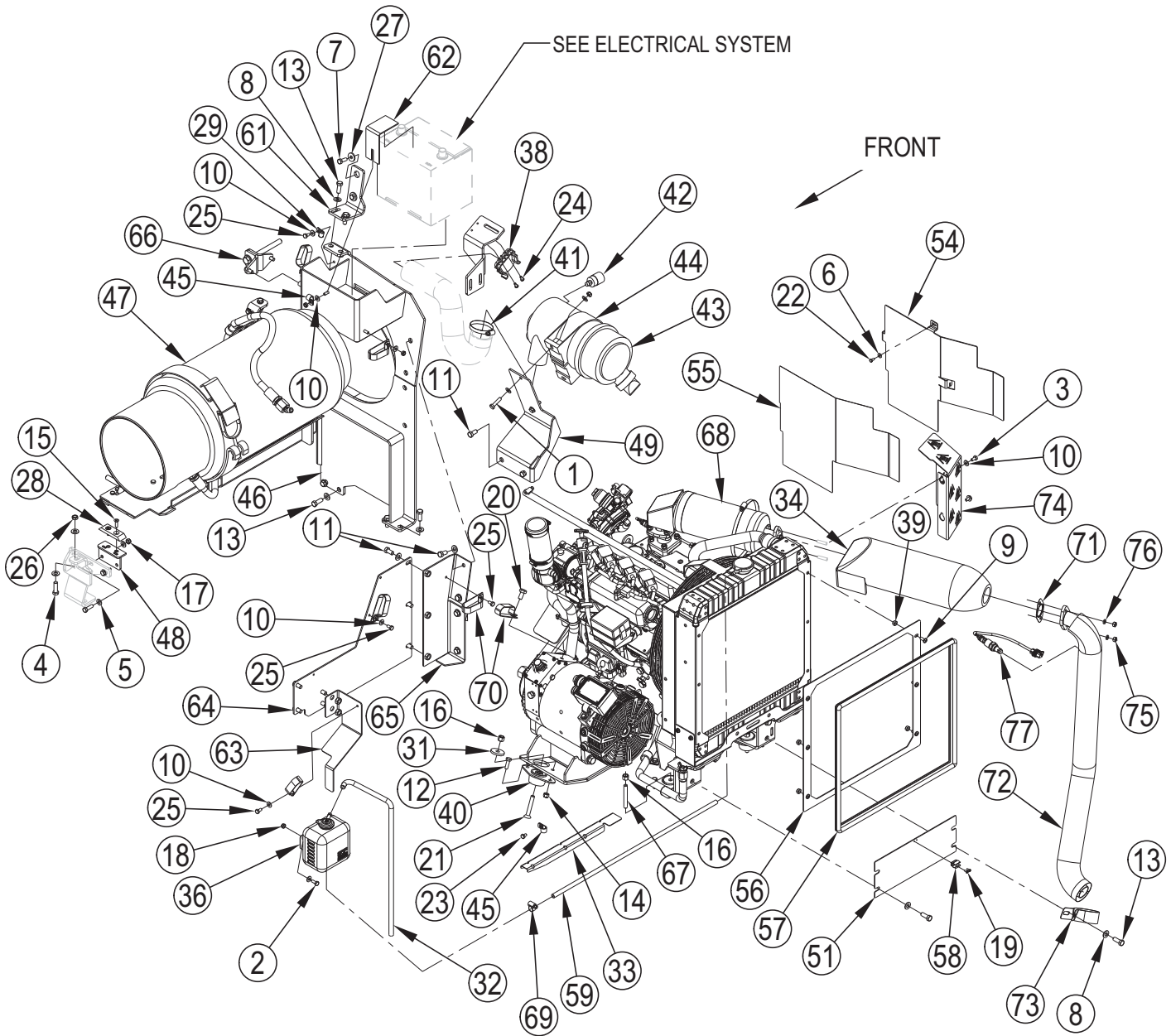
CS7000**49**

Kit	Item	Ref. No.	Qty	Description	Engine Replacement Parts
	1	56002037	2	Scr, Hex 5/16-18 X .88	[] 56510535 1 Engine LP (Ref)
	2	56002701	4	Nut, Hex Nyl Loc 5/16-18	[] 56508454 1 Thermostat Kit
	3	56002708	2	Nut, Hex Nyl Loc 1/4-20	[] 56510185 1 Governor-Controller
	4	56002721	2	Scr, Hex 5/16-18 X 2.00	[] 56383566 1 Linkage Kit-Governor
	5	56003169	4	Scr-Hex M6-1 X 60mm	[] 56383567 1 Hardware Kit-Governor Mtg
	6	56009033	4	Scr, Hex Thd Form 1/4-20 X .50	[] 56510152 1 Harness-Engine Interface
	7	56111319	1	Speed Sensor	[] 56510369 1 Harness-Kubota Df972
	8	56219932	2	Clamp- Hose SAE #6	[] 56504531 1 Harness-Ignition-Df-Wg972
	10	56486112	4	Clamp-P	[] 56508455 1 Plug Wire/Coil Kit (3 Wires & 3 Caps)
	11	56507725	1	Nikki Regulator Vaporizer Assembly	[] 56380493 1 Spark Plug Wire Kit- Cyl #1
	12	56508445	1	Spark Controller	[] 56380494 1 Spark Plug Wire Kit- Cyl #2
	13	56507994	1	LP Lockoff	[] 56380495 1 Spark Plug Wire Kit- Cyl #3
	14	56509853	1	Bracket-Mag Pickup	[] 56508456 3 Spark Plug
	15		1	LPG Exhaust Assy	[] 56507994 1 LP Lockoff (Includes Filter)
K1	15a		4	Scr-Soc Hd M8-1.25 X 20 Mm TSB-FC-2016-270	[] 0775-295 1 Alternator W/Pulley (40 Amp)
	15b	56355488	1	Clamp- Hose SAE #96	[] 56508440 1 Starter Motor
K1	15c		2	Exhaust Gasket TSB-FC-2016-270	[] 56419091 1 Switch, Temp
	15d	56510163	1	Muffler-Cat	[] 56508457 1 Water Pump Assy
	15e	56510166	1	Spacer-Exhaust	[] 56508458 1 Oil Filter Cartridge
	15f	56510177	1	Bracket-Support	[] 56510299 1 Dipstick-Df972
	16	56509998	1	Coil Mount Weldt	[] 56508459 1 Gasket, Exhaust (Exhaust Manifold)
	17	56510140	1	Fan-Cooling	[] 56419090 1 Oil Pressure Switch
	18	56510184	1	Manifold-Exhaust	[] 56510163 1 Muffler-Cat
	19	56510185	1	Governor-Controller	[] 56510629 1 Belt, Fan/Alternator
	20	56510186	1	Bracket-Governor Mnt	[] 56510128 1 Hose-Radiator (Upper)
	21		1	Dipstick Assy	[] 56510129 1 Hose-Radiator (Lower)
	22	56510200	1	Remote Oil Drain Assy	[] 56510078 1 Hose-Air Cleaner (Air Cleaner To Intake)
	23	56510319	2	Hose-Vaporizer	[] 56510090 1 Hose-Air Cleaner (Air Cleaner Inlet)
	24	56510320	1	Hose-Fuel	[] 56504429 1 Relay-Engine Power
	25	56510349	1	Shield-Heat	[] 56504518 1 Releay-Fuel Pump-Gm (Used With 56504450)
	26	56510535	1	Engine-Kubota Df972 T3	[] 50360a 1 Adapter, 1/8 Bspm X 1/8 Nptf
	27	56510552	1	Pulley-Fan	[] 56504450 1 Kit, LP Test
	28	56510553	1	Spacer-Fan	[] 56510976 1 Gasket Set-Upper Wg972
	29	56510554	1	Spacer-Pulley	[] 56510977 1 Gasket Set-Lower Wg972
	30	56510558	1	Conduit-Fuel Hose	[] 56510978 1 Bracket-Alternator Adj
	31	56756364	4	Clamp- Hose SAE #4	[] 56510979 1 Pulley-Crankshaft
	32	56003180	1	Scr Hex Thd/Hd M8-1.25x25mm	[] 56510980 1 Housing-Thermostat
	33	56009052	1	Wsh Int Shprf 5/16	[] 56510981 1 Carburetor-Wg972
					[] 56504527 1 Gasket-Valve Cover-Df972
					[] 56510971 1 Pulley-Alternator
					[] 56482028 1 Filter Safety
					[] 56482029 1 Filter Primary
					[] 56383025 1 Cap-Oil Fill

Service KitsK1 56384867 1 Exhaust Gasket Kit **(includes four Hex Head Bolts not shown)**

[] = Not Shown

FORM NO. 56042540



3-2011

ENGINE SYSTEM-LPG LEV

8-2016

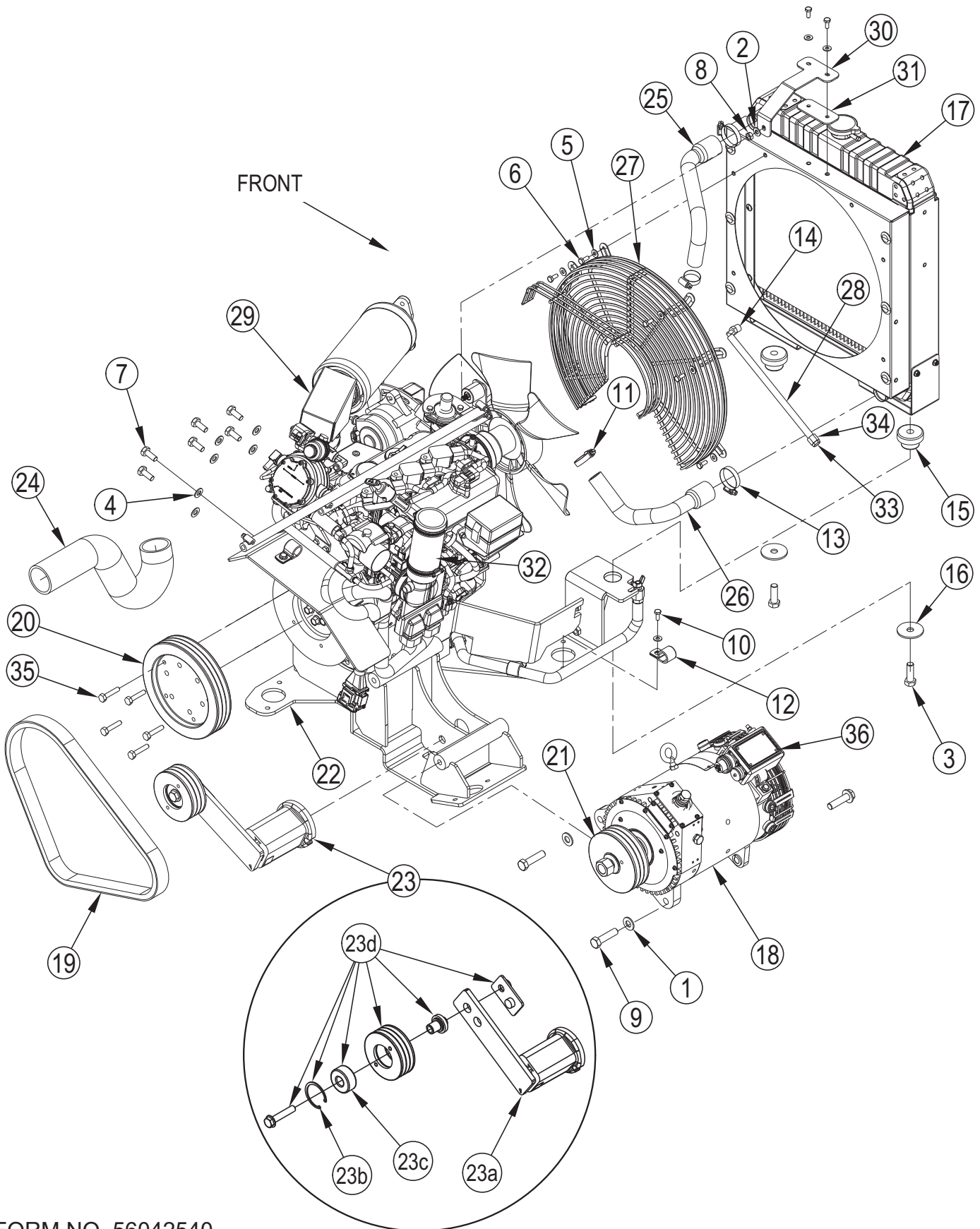
CS7000**51**

Kit	Item	Ref. No.	Qty	Description
K2	1		2	Scr-Hex 5/16-18 X 1.25
K2	2		2	Scr-Hex 1/4-20 X .62
K2	3		2	Scr-Hex 1/4-20 X .50
K2	4		1	Scr-Hex 3/8-16 X 1.25
K2	5		8	Wsh, Flt Sae 5/16
K2	6		1	Wsh, Flt Sae #10
K2	7		2	Scr-Hex 5/16-18 X .88
K2	8		23	Wsh, Flt Sae 3/8
K2	9		6	Scr-Pan Phil 1/4-20 X .62
K2	10		10	Wsh, Flt Sae 1/4
K2	11		13	Scr-Hex 3/8-16 X .75
K2	12		10	Scr-Hex 5/16-18 X 1.00
K2	13		10	Scr-Hex 3/8-16 X 1.00
K2	14		8	Nut, Hex Nyl Loc 5/16-18
K2	15		2	Scr-Flt Phil 1/4-20 X .88
K2	16		4	Nut-Hex Nyl Loc 3/8-16
K2	17		4	Nut, Hex Nyl Loc-Thin 5/16-18
K2	18		5	Nut, Hex Nyl Loc-Thin 1/4-20
	19	56002909	2	Scr-Pan Phil Ss 6-32 X .38
K2	20		1	Scr, Hex Thd To Hd M10-1.5 X 20mm
K2	21		1	Scr-Flt Soc Ss 3/8-16 X 2.50
K2	22		1	Scr, Hex Thd Form 10-24 X .38
K2	23		1	Scr, Hex Thd Form 1/4-20 X .38
K2	24		2	Scr, Pan Phil Thd Form 10-24 X .50
K2	25		4	Scr, Hex Thd Form 1/4-20 X .50
K2	26		1	Nut-Hex Jam 3/8-16
K2	27		2	Wsh, Flt .344 X .938 X .125
	28	56110514	1	Skid
	29	56323260	1	Clamp, Hose Support
	31	56367117	4	Wsh, Flt 406 X 1.5 X .1875
	32	7-33-02644	1	Hose, 1/4" Id X 28" Long, Clear
	33	56384017	1	Guard-Wire Harness
K3	34	56384176	1	Blanket-Catalytic Converter
	36	7-07-02002	1	Overflow Bottle Assy
	38	56396199	1	Clamp, Plastic
	39	56410057	6	Bushing, .26 Id X .50 Od
	40	56419300	4	Mount, Isolator, Stiff
	41	56440213	1	Clamp- Hose Sae #32

Kit	Item	Ref. No.	Qty	Description
	42	56478461	1	Indicator,Service
	43	56482478	1	Cleaner, Air
	[]	56482028	1	Filter Safety (for 56482478)
	[]	56482029	1	Filter Primary (for 56482478)
	44	56482621	1	Band Assy
	45	56486112	2	Clamp-P
	46	56509741	1	Lpg Tank Support Weldt
	47		1	Lp Fuel Tank Assy (See pages 58 and 59)
	48	56510098	1	Tank Mnt Weldt
	49	56510159	1	Air Cleaner Mnt Weldt
	51	56510284	1	Plate-Guard
	54	56510652	1	Shield-Heat-Muffler
	55	56510714	1	Foam Insulation
	56	56510716	1	Mount-Radiator Seal
	57	56510730	1	Trim-Seal
	58	56510834	1	Clip-Spring 1/2
	59	56510953	1	Hose-Black 1/4 Id X 25
	61	56511120	1	Bracket-Tank Support
	62	56511122	1	Holddown-Battery
	63	56511141	1	Cable Guard Weldt
	64	56511142	1	Plate-Tank Guard
	65	56511143	1	Guard Mnt Weldt
	66	56511199	1	Belt Removal Tool
	67	56511500	3	Stud-Double Ended
	68		1	Power Unit-LPG LEV (See pages 52 and 53)
	69	56756364	1	Clamp- Hose Sae #4
	70	2-00-05253	6	Clamp, 3/4" Wire, Double
K3	71	56511521	1	Gasket-Tail Pipe
K3	72	56511630	1	Exhaust Pipe Weldment
K3	73	56511631	1	Hanger-Tailpipe
K3	74	56511639	1	Shield-Heat
	75	56003352	2	Nut Hex M8
	76	56003685	2	Washer Nord-Loc M8
	77	56511522	1	Sensor-Oxygen-Wg972 Eng
Service Kits				
	K2	56510795	1	Hardware Kit-Engine System LPG
	K3	56511718	1	Exhaust System Kit-Efi

[] = Not Shown

FORM NO. 56042540



3-2011

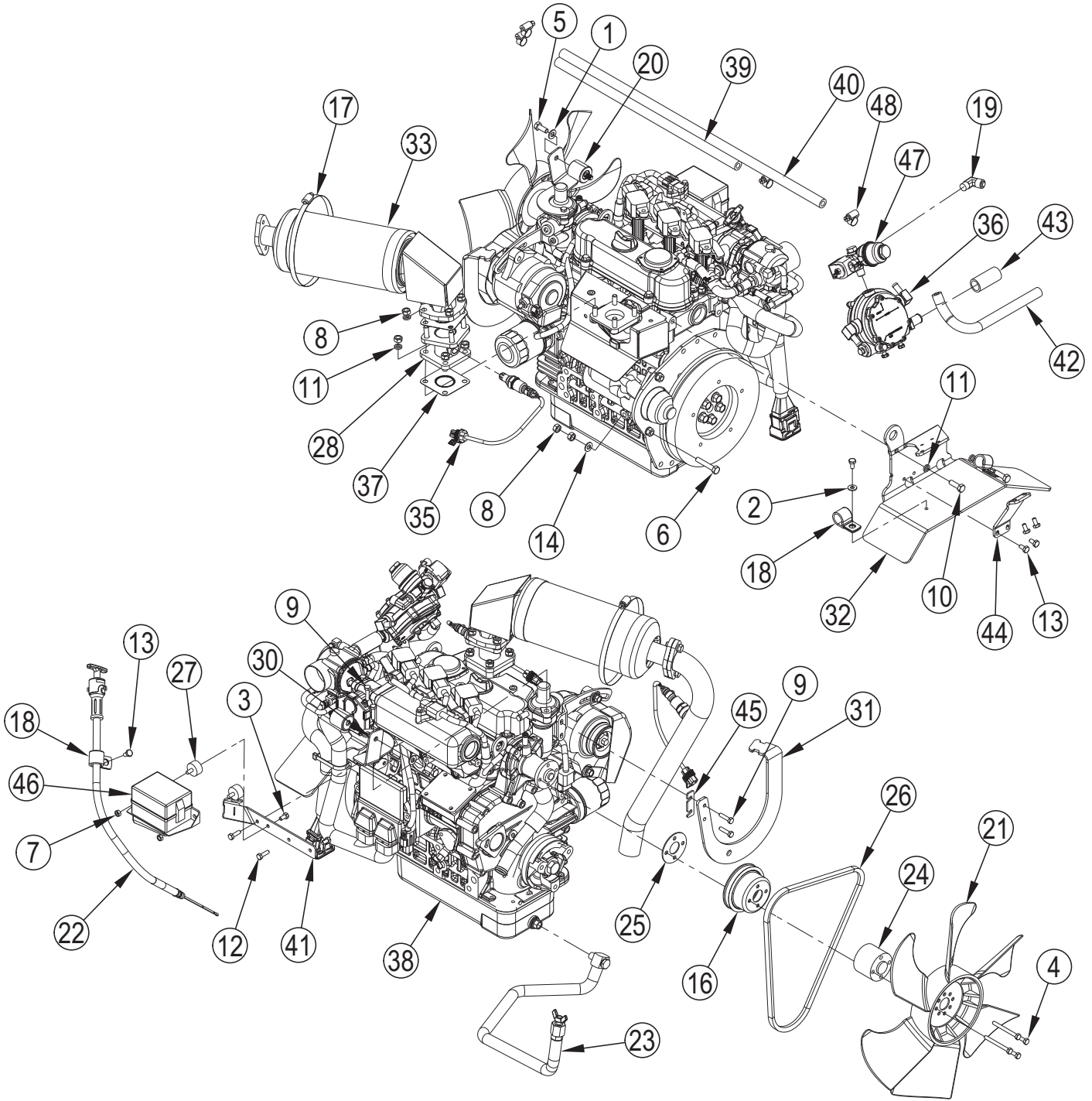
POWER UNIT-LPG LEV

6-2015

CS7000**53**

Kit	Item	Ref. No.	Qty	Description
	1	56001879	3	Wsh-Flt Sae 1/2
	2	56001939	1	Wsh, Flt Sae 5/16
	3	56001968	2	Scr-Hex 1/2-13 X 1.50
	4	56002063	12	Wsh, Flt Sae 3/8
	5	56002098	11	Wsh, Flt Sae 1/4
	6	56002922	8	Scr-Hex Hd Loc 1/4-20x.62
	7	56003019	12	Scr-Hex M10-1.25 X 25mm
	8	56003352	1	Nut-Hex M8-1.25
	9	56003740	3	Scr, Hex Thd To Hd 1/2-13 X 2.00
	10	56009250	3	Scr, Hex Thd Form 1/4-20 X .62
	11	56244969	2	Clamp- Hose Sae #12
	12	56412332	3	Clamp, Hose Support
	13	56413839	2	Clamp- Hose Sae #20
	14	56470138	1	Barb, 90 Elbow 1/4 X 1/4npt
	15	56478685	2	Mount, Rubber
	16	56507448	2	Washer, Isolator Tail
	17	56509210	1	Radiator
	18	56509345	1	Alternator-42v
	[]	56509501	1	Sheave-3V x 5.00 (for 56509345 in LPG)
	19	56509442	1	Belt-3vx X 45.0 TSB-FC-2014-022
	20	56509443	1	Sheave-3v X 8.00
	21	56509501	1	Sheave-3v X 5.00
	22	56509570	1	Eng/Alt Mnt Weldt
	23		1	Tensioner Assy
	23a	56509923	1	Tensioner-Automatic (for Tensioner Assy)
	23b	56003314	1	Ring Ret Int Type Ho 2.047 Dia (for Tensioner Assy)
	23c	56509716	1	Bearing (for Tensioner Assy)
	23d	56510854	1	Idler Pulley Kit (for Tensioner Assy)
	24	56510090	1	Hose-Air Cleaner
	25	56510128	1	Hose-Radiator
	26	56510129	1	Hose-Radiator
	27	56510484	1	Fan Guard Assy-Lpg
	28	56510958	1	Hose-Coolant
	29		1	Engine Assembly-Lpg Lev (See pages 54 and 55)
	30	56511513	1	Bracke-Radiator Support
	31	56511515	1	Shim-Radiator Support
	32	56511520	1	Hose Assembly-Intake
	33	56740136	1	Plug, Pipe
	34	56756360	1	Barb,Hose Female
	35	2-00-06532	5	Hhc, M8 X 1.25 X 40mm
	36	56383568	1	Voltage Regulator Kit-42v

[] = Not Shown



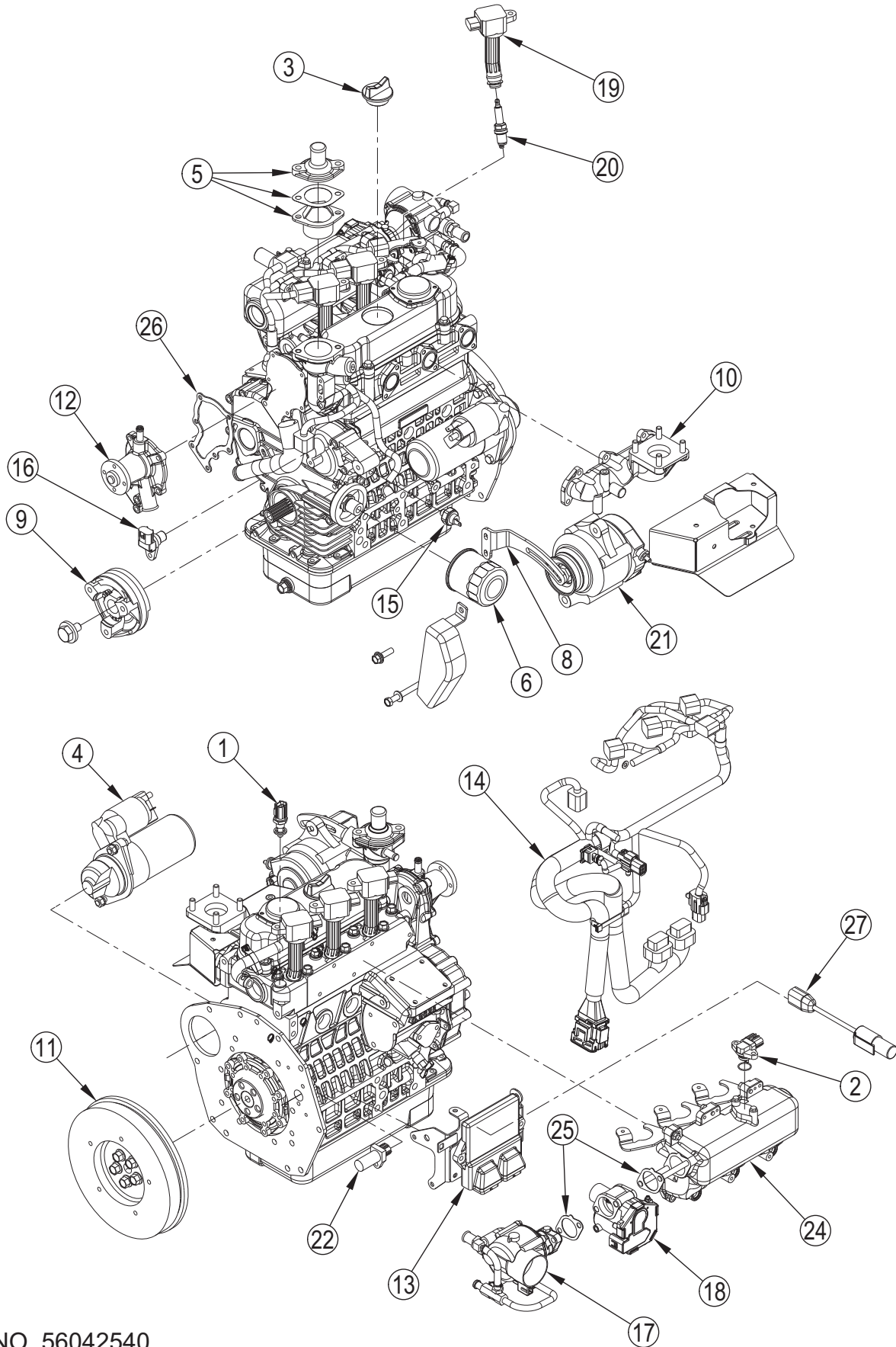
3-2011

ENGINE ASSEMBLY-LPG LEV

8-2016

CS7000**55**

Kit	Item	Ref. No.	Qty	Description
	1	56001939	1	Wsh, Flt Sae 5/16
	2	56002098	2	Wsh, Flt Sae 1/4
	3	56003155	2	Scr-Hex M6-1 X 12mm
	4	56003169	4	Scr-Hex M6-1 X 60mm
	5	56003179	1	Scr, Hex Thd To Hd M8-1.25 X 20mm
	6	56003183	1	Scr, Hex Thd To Hd M8-1.25 X 45mm
	7	56003350	2	Nut-Hex M6-1
	8	56003352	11	Nut-Hex M8-1.25
	9	56003358	4	Scr-Hex M6-1 X 25mm
	10	56003477	2	Scr-Hex Loc Ss M8-1 X 25mm
	11	56003685	10	Wsh, Nord-Lock M8
	12	56003841	2	Scr-Hex Loc Ss M6-1 X 20mm
	13	56009033	7	Scr, Hex Thd Form 1/4-20 X .50
	14	56009052	2	Wsh, Int Shprf 5/16
	16	56307249	1	Pulley, Fan (89mm)
	17	56355488	1	Clamp- Hose Sae #96
	18	56412332	3	Clamp, Hose Support
	19	56456608	1	Elbow-Male 90
	20	56507372	1	Isolator-Engine
	21	56510140	1	Fan-Cooling
	22		1	Dipstick Assy
	23	56510200	1	Remote Oil Drain Assy
	24	56510553	1	Spacer-Fan
	25	56510554	1	Spacer-Pulley
	26	56511577	1	Belt-Fan-34.75 Od
	27	56510718	2	Isolator-Relay Box
	28	56511504	1	O2 Sensor Adaptor Weldment
	30	56511514	1	Bracket-Radiator Mount
	31	56511516	1	Bracket-Muffler Support
	32	56511517	1	Bracket-Mount-Lp Regulator
	33	56511518	1	Muffler-Catalytic
	35	56511522	1	Sensor-Oxygen-WG972 Eng
	36	56511523	1	Regulator-Lp Gas
	37	56511524	2	Gasket-Exhaust
	38		1	Engine-Base Lpg WG972 (See pages 56 and 57)
	39	56511526	1	Hose-Coolant-3/8x11/16x18
	40	56511527	1	Hose-Coolant-3/8x11/16x26
	41	56511528	1	Bracket-Support-Dipstick
	42	56511529	1	Hose-Regulator Trim
	43	56511530	1	Hose-Lpg Vapor
	44	56511542	1	Bracket-Brace-Mount
	45	56511543	1	Shim-Muffler Support
	46	56511562	1	Harness-Engine-Intermediate
	47	56511563	1	Valve-Lpg Lockoff-12v
	48	56756364	4	Clamp- Hose Sae #4



3-2011

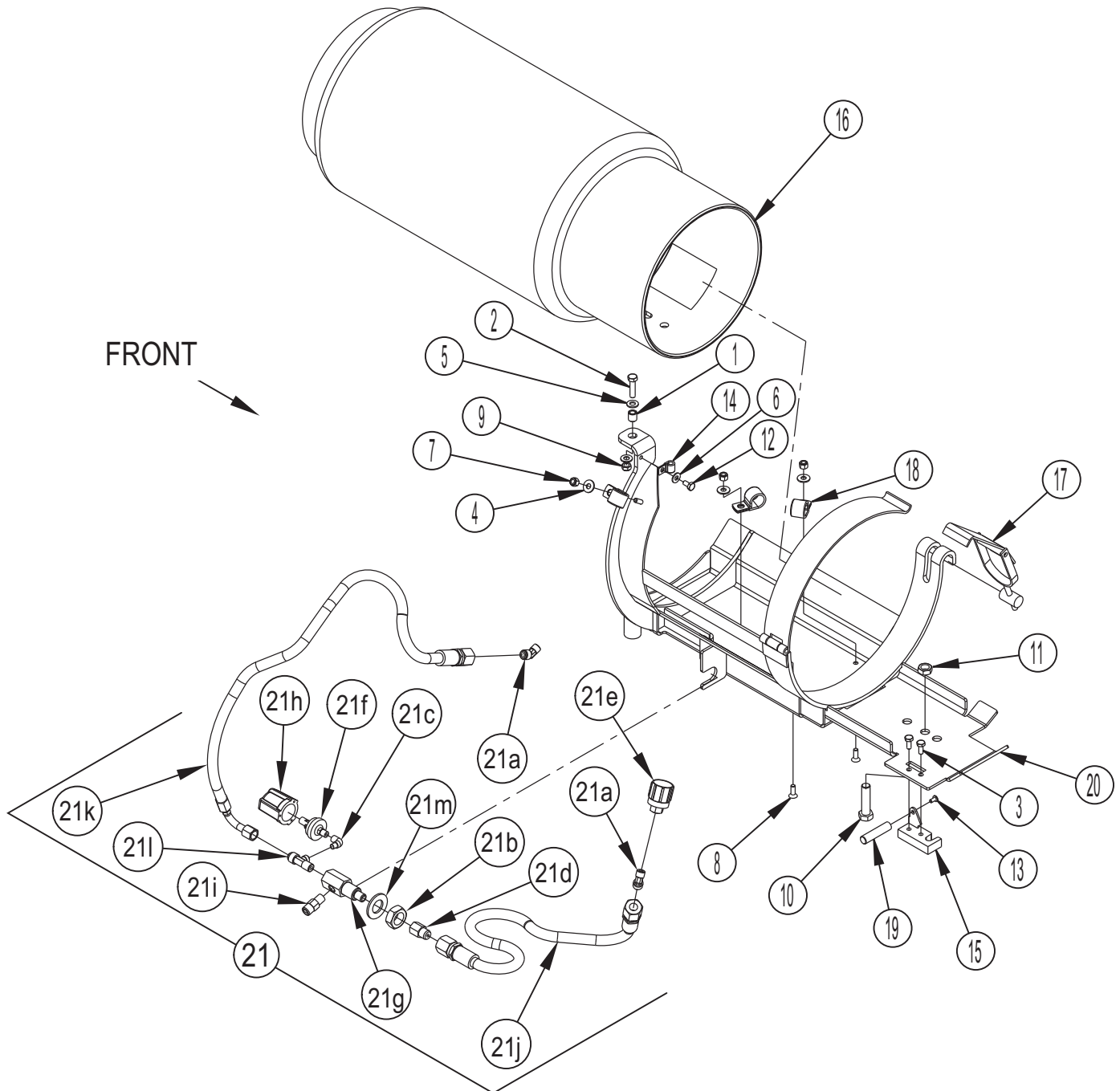
ENGINE BASE-REPLACEMENT PARTS-LPG LEV

9-2015

CS7000**57**

Kit	Item	Ref. No.	Qty	Description
	1	56107721	1	Water Temp Sensor W/Seal
	2	56107744	1	Tmap Sensor
	3	56383025	1	Cap-Oil Fill
	4	56508440	1	Starter Assembly
	5	56508454	1	Thermostat Kit
	6	56511572	1	Filter-Oil-Wg972 Efi Engine
	[7]	56511566	1	Upper Engine Gasket Kit-Wg972
	8	56510978	1	Bracket-Alternator Adj
	9	56510979	1	Pulley-Crankshaft
	10	56511546	1	Manifold-Exhaust-Wg972 Engine
	11	56511547	1	Flywheel-Wg972 Engine
	12	56511549	1	Pump-Water-Wg972 Engine
	13	56511550	1	Ecu-Wg972 Engine
	14	56511551	1	Harness-Engine Control
	15	56511552	1	Switch-Oil Pressure-Wg972 Eng
	16	56511553	1	Sensor-Cam Position
	17	56511554	1	Mixer
	18	56511555	1	Throttle Body
	19	56511556	3	Ignition Coil
	20	56511557	3	Spark Plug-Lev Wg972 Engine
	21	0775-295	1	Alternator With Pulley 40a
	22	2-00-06354	1	Crank/Rpm Sensor
	[23]	56511573	1	Bottom Engine Gasket Kit-Wg972
	24	56511548	1	Manifold-Intake Wg972
	25	56511571	2	Gasket-Throttle Body
	26	56511574	1	Gasket-Water Pump-Wg972 Engine
	27	56511575	1	Cable-Ecom Adaptor

[] = Not Shown



3-2011

LPG TANK ASSY

11-2016

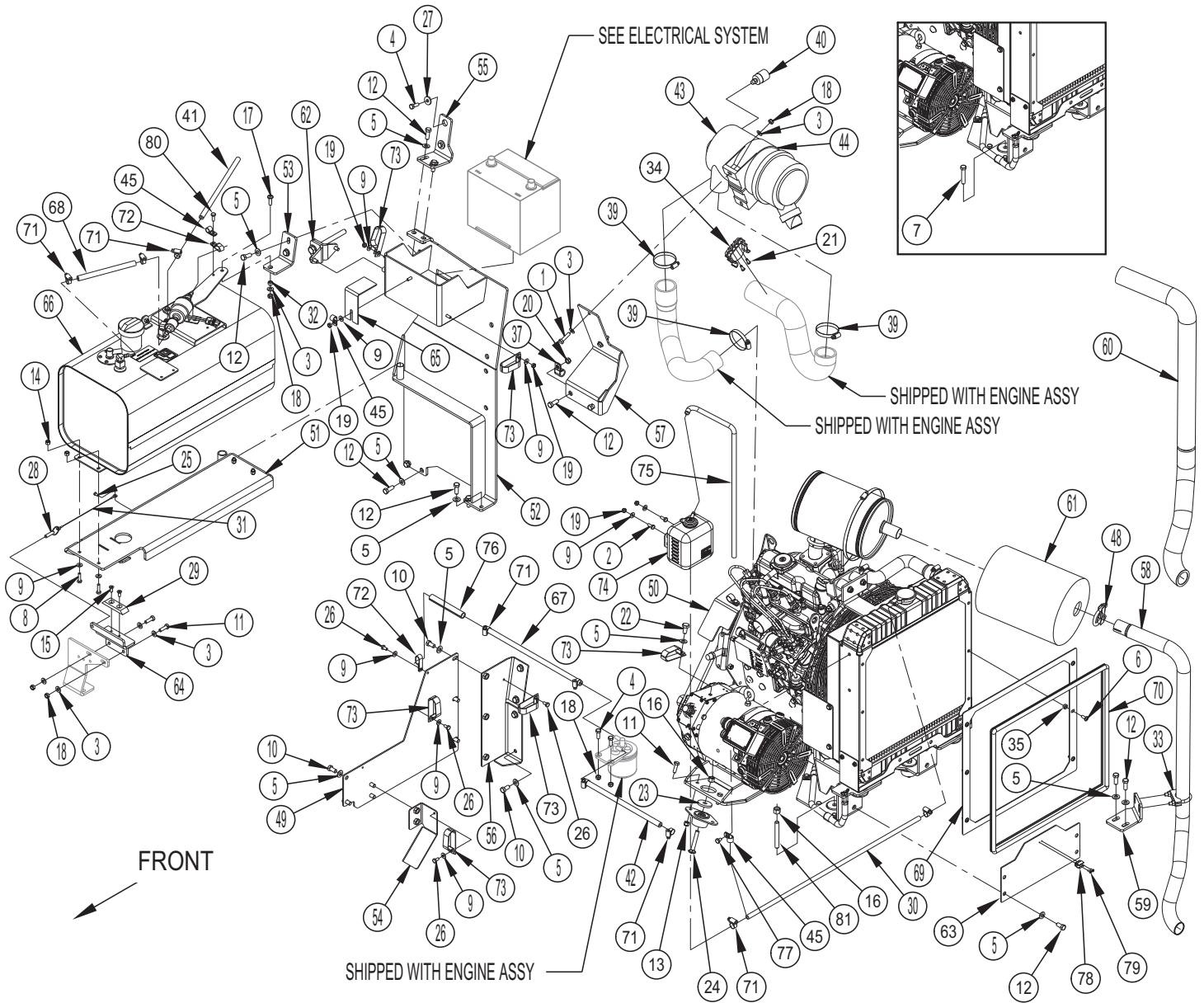
CS7000**59**

Kit	Item	Ref. No.	Qty	Description
K2	1		1	Bushing
K2	2		1	Scr, Hex 5/16-18 X 1.25
K2	3		2	Scr, Hex 1/4-20 X .62
K2	4		3	Wsh, Flt Std 1/4
K2	5		2	Wsh, Flt SAE 5/16
K2	6		1	Wsh, Flt SAE 1/4
K2	7		3	Nut, Hex Nyl Loc 1/4-20
K2	8		2	Scr, Flt Phil 1/4-20 X .75
K2	9		1	Nut, Hex Nyl Loc-Thin 5/16-18
K2	10		1	Scr, Hex Thd To Hd 1/2-13 X 2.00
K2	11		1	Nut, Hex Jam 1/2-13
K2	12		1	Scr, Hex Thd Form 1/4-20 X .50
K1,K2	13		1	Scr, Pan Phil Loc 10-24 X .38
	14	56323260	1	Clamp, Hose Support
K1	15		1	Latch, Rh
	16	56456590	1	L.P. Tank, 33lb.
	17	56481997	1	Toggle
	18	56496276	3	Clamp, Hose Support
K1	19		1	Pin
	20	56509746	1	Fuel Tank Mt Weldt-P
	21	56510095	1	LP Filter Assembly
	21a	56456598	2	Elbow,45 Male 45 Flared
	21b	56002615	1	Nut, Hex Jam 7/8-14
	21c	56111309	1	Elbow, 90 Street
	21d	56305505	1	Adapter-SAE 45 Deg.
	21e	56369675	1	Coupler-Female
	21f	56418381	1	Switch-N.C. Pressure S11
	21g	56418934	1	Fitting-Bulkhead
	21h	56419241	1	Dust Boot
	21i	56456624	1	Vent-1/4 Npt
	21j	56510298	1	LPG Hose Assy
	21k#	56384953	1	LPG Hose Assy
	21l	56900921	1	Tee 1/4 Npt X 1/8 Npt X 3/8 Jic
	21m	56002228	1	Wsh Flt SAE 7/8

Service Kits

K1	56510798	1	Latch Kit-LPG Tank Assy
K2	56510799	1	Hardware Kit-LPG Tank Assy

= Revised or new since last update



3-2011

ENGINE SYSTEM-DIESEL

8-2016

CS7000

61

Kit	Item	Ref. No.	Qty	Description
K1	1		2	Scr. Hex 5/16-18 X 1.25
K1	2		2	Scr. Hex 1/4-20 X .62
K1	3		9	Wsh, Flt SAE 5/16
K1	4		4	Scr. Hex 5/16-18 X .88
K1	5		25	Wsh, Flt SAE 3/8
K1	6		6	Scr-Pan Phil 1/4-20 X .62
K1	7		3	Scr. Hex 3/8-16 X 2.00 NOTE 1
K1	8		4	Scr. Hex 1/4-20 X 1.00
K1	9		12	Wsh, Flt SAE 1/4
K1	10		11	Scr. Hex 3/8-16 X .75
K1	11		10	Scr. Hex 5/16-18 X 1.00
K1	12		16	Scr. Hex 3/8-16 X 1.00
K1	13		8	Nut, Hex Nyl Loc 5/16-18
K1	14		4	Nut, Hex Nyl Loc 1/4-20
K1	15		2	Scr. Flt Phil 1/4-20 X .62
K1	16		4	Nut-Hex Nyl Loc 3/8-16
K1	17		1	Scr-Pan Phil 5/16-18 X 1.00
K1	18		7	Nut, Hex Nyl Loc-Thin 5/16-18
K1	19		5	Nut, Hex Nyl Loc-Thin 1/4-20
K1	20		1	Nut, Hex Nyl Loc-Thin 3/8-16
K1	21		2	Scr Panphil Thd Form 10-24x.50
K1	22		1	Scr. Hex Thd To Hd M10-1.5 X 20mm
K1	23		4	Wsh Flt Steel .406cv31c
K1	24		1	Scr-Carriage 3/8-16 X 2.50
K1	25		1	Scr. Hex Thd Form 10-24 X .38
K1	26		4	Scr. Hex Thd Form 1/4-20 X .50
K1	27		2	Wsh, Flt .344 X .938 X .125
	28	56050356	1	Pin Quickrise--.312dia .625l
	29	56110514	1	Skid
	30	56510953	1	Hose-Black 1/4 ID x 25
	31	56314400	1	Wire Rope, 9 Inch
	32	56320595	1	Bushing .32x.50x.28
	33	56343236	1	Clamp, Muffler 1.50
	34	56396199	1	Clamp, Plastic
	35	56410057	6	Bushing, .26 Id X .50 Od
	37	56419120	1	Clamp, Hose Support
	38	56419300	4	Mount, Isolator, Stiff
	39	56440213	3	Clamp- Hose SAE #32

Kit	Item	Ref. No.	Qty	Description
	40	56478461	1	Indicator, Service
	41	56478488	1	Hose-Fuel
	42	56481686	1	Hose-Fuel Line
	43	56482478	1	Cleaner, Air
	[]	56482028	1	Filter Safety (for 56482478)
	[]	56482029	1	Filter Primary (for 56482478)
	44	56482621	1	Band Assy
	45	56486112	3	Clamp-P
	48	56508391	1	Clamp, Muffler
	49	56511142	1	Plate-Tank Guard
	50		1	Diesel Engine Assy (See pages 62 and 63)
	51	56511128	1	Tank Pivot Weldt
	52	56511118	1	Fuel Tank Support Weldt
	53	56511174	1	Bracket-Tank Pivot
	54	56509986	1	Cable Bracket Weldt
	55	56511120	1	Bracket-Tank Support
	56	56511143	1	Guard Mnt Weldt
	57	56510159	1	Air Cleaner Mnt Weldt
	58	56510167	1	Tailpipe-Diesel
	59	56510169	1	Bracket-Tailpipe
	60	56383071	1	Exhaust Blanket Kit-Diesel
	61	56383072	1	Exhaust Blanket Kit-Diesel
	62	56511199	1	Belt Removal Tool
	63	56510284	1	Plate-Guard
	64	56510295	1	Mount Weldt
	65	56511122	1	Holddown-Battery
	66	56510493	1	Tank-Diesel Assy (See pages 66 and 67)
	67	56510628	1	Hose-Fuel
	68	56510630	1	Hose-Fuel
	69	56510716	1	Mount-Radiator Seal
	70	56510730	1	Trim-Seal
	71	56756364	8	Clamp- Hose SAE #4
	72	2-00-04603	2	Clamp double 1/2 Od
	73	2-00-05253	6	Clamp, 3/4" Wire, Double
	74	7-07-02002	1	Overflow Bottle Assy
	75	7-33-02644	1	Hose, 1/4" Id X 28" Long, Clear
	76	56510956	1	Conduit Hose .50
K1	77		1	Scr Hex Thd Form 1/4-20x .38
	78	56510834	1	Clip-Spring 1/2
	79	56002909	2	Scr Pan Phil SS 6-32 X .38
K1	80		1	Scr Hex Thd Form 1/4-20x .75
K1	81		3	Stud-Double Ended NOTE 2

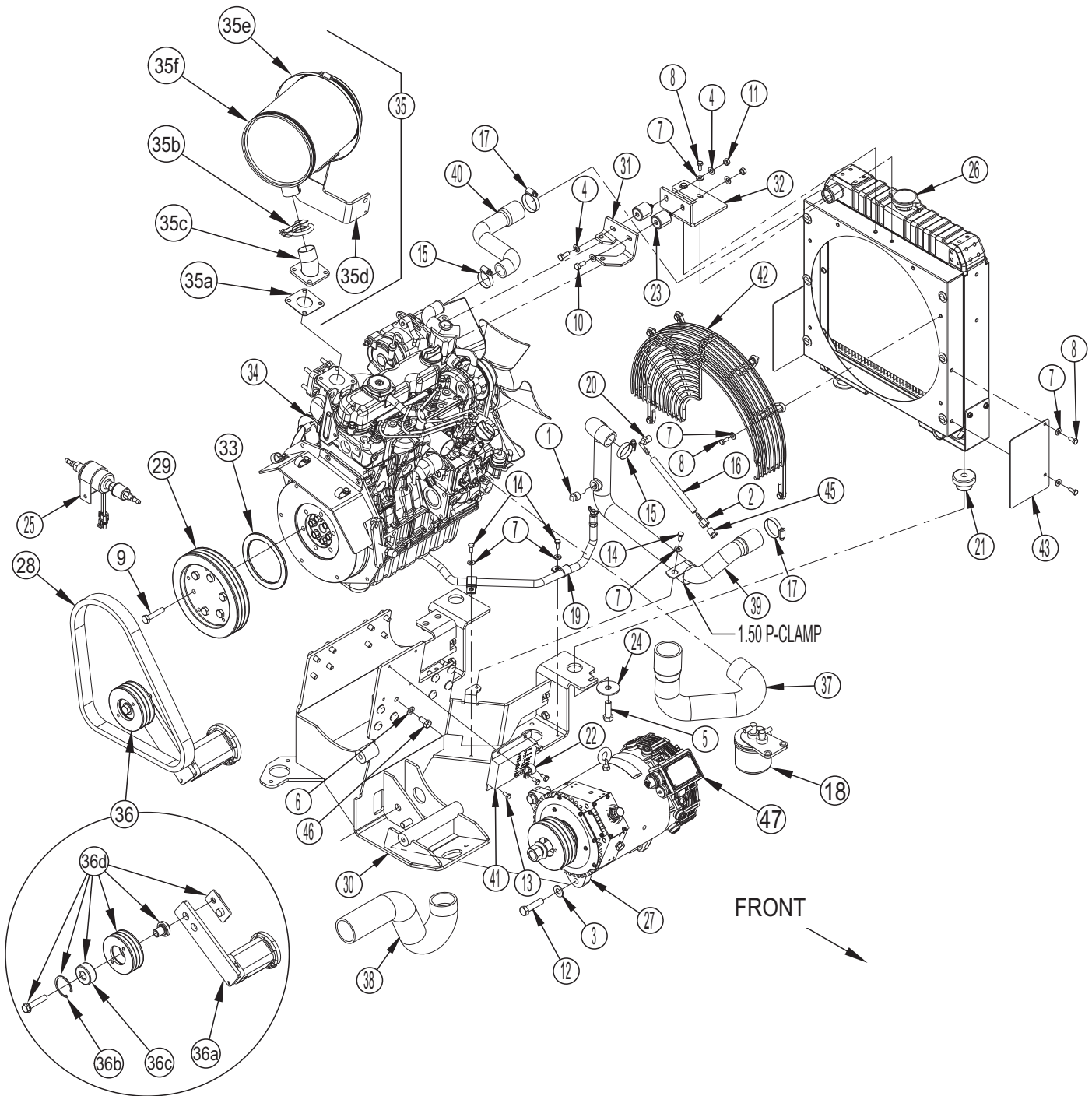
Service Kits

K1 56510797 1 Hardware Kit-Engine System Diesel

[] = Not Shown

NOTE 1: Used on machines before serial number 1000051215**NOTE 2:** Used on machines after serial number 1000051214

FORM NO. 56042540



3-2011

ENGINE ASSY-DIESEL

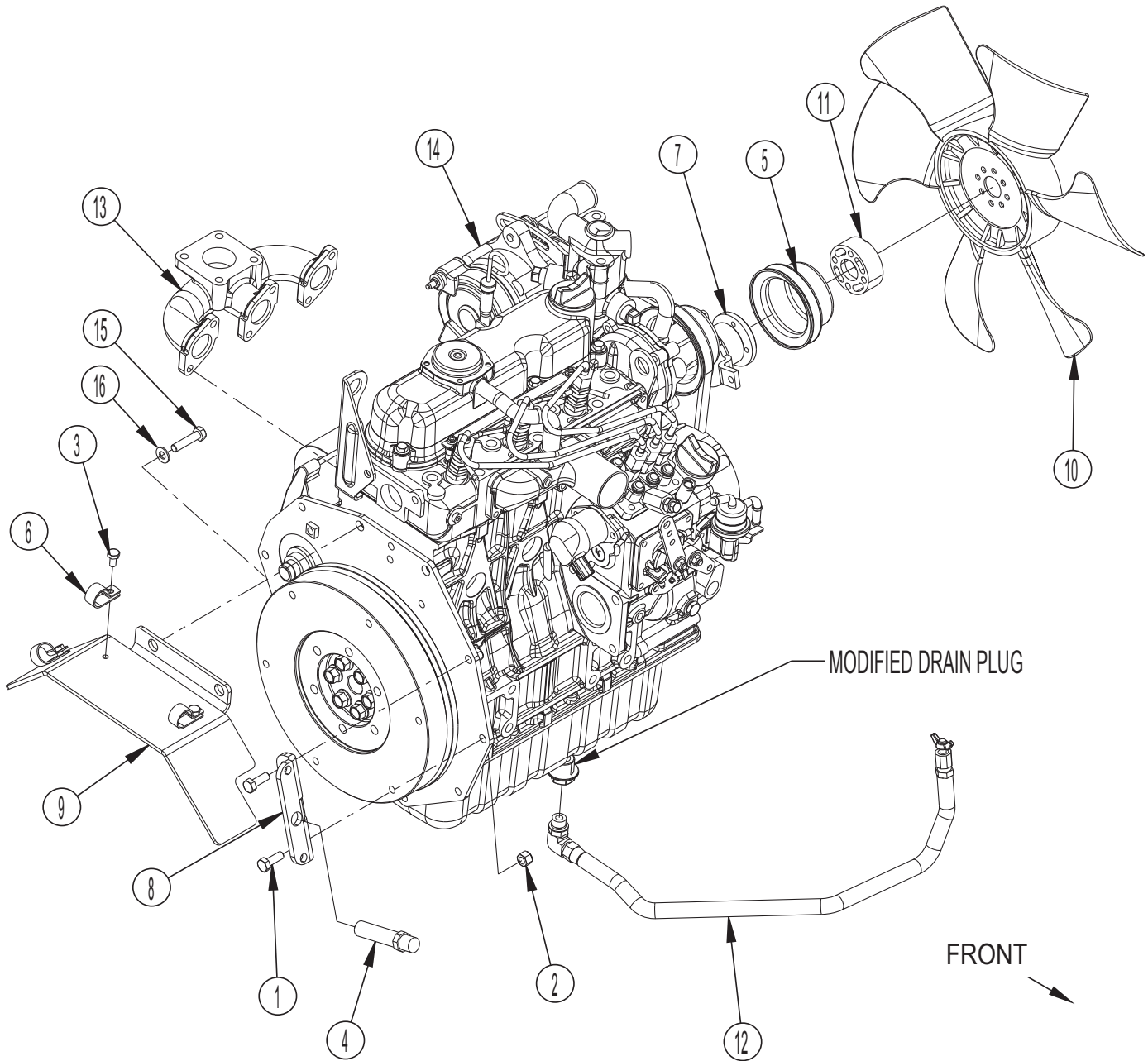
8-2016

CS7000**63**

Kit	Item	Ref. No.	Qty	Description
	1	56744580	1	Plug, Npt 3/8 Brass
	2	56756360	1	Barb, Hose Female
	3	56001879	3	Wsh-Fit SAE 1/2
	4	56001939	4	Wsh, Fit SAE 5/16
	5	56001968	2	Scr, Hex 1/2-13 X 1.50
	6	56002063	16	Wsh, Fit SAE 3/8
	7	56002098	15	Wsh, Fit SAE 1/4
	8	56002922	12	Scr, Hex Hd Loc 1/4-20x.62
	9	56003021	6	Scr-Hex M10-1.25 X 50mm
	10	56003179	2	Scr, Hex Thd To Hd M8-1.25 X 20mm
	11	56003352	2	Nut, Hex M8-1.25
	12	56003740	3	Scr, Hex Thd To Hd 1/2-13 X 2.00
	13	56009033	4	Scr, Hex Thd Form 1/4-20 X .50
	14	56009250	3	Scr, Hex Thd Form 1/4-20 X .62
	15	56131601	2	Clamp- Hose SAE #16
	16	56510958	1	Hose-Coolant
	17	56413839	2	Clamp- Hose SAE #20
	18	56419054	1	Fuel Filter Kit
	19	56419120	2	Clamp, Hose Support
	20	56470138	1	Barb, 90 Elbow 1/4 X 1/4npt
	21	56478685	2	Mount, Rubber
	22	56486112	1	Clamp-P
	23	56507372	2	Isolator-Engine
	24	56507448	2	Washer, Isolator Tail
	25	56508355	1	Fuel Pump, Electronic
	26	56509210	1	Radiator
	27	56509345	1	Alternator Assy G1
	[]	56509441	1	Sheave-3V x 4.50 (for 56509345 in diesel)
	28	56509442	1	Belt-3vx X 45.0
	29	56509443	1	Sheave-3v X 8.00
	30	56509452	1	Eng/Alt Mnt Weldt
	31	56509510	1	Bracket-Diesel Radiator
	32	56509514	1	Bracket-Radiator
	33	56509740	1	Plate-Spacer
	34		1	Diesel Engine Assy (See pages 64 and 65)
	35		1	Diesel Exhaust Assy
	35a	56419107	1	Exhaust Gasket
	35b	56456833	1	Clamp, Muffler 1.62
	35c	56510170	1	Exhaust Pipe Weldt
	35d	56510172	1	Muffler Support Weldt
	35e	56510206	1	Clamp- Hose SAE #128
	35f	7-49-00038	1	Muffler
	36		1	Tensioner Assy
	36a	56509923	1	Tensioner-Automatic (for Tensioner Assy)
	36b	56003314	1	Ring Ret Int Type Ho 2.047 Dia (for Tensioner Assy)
	36c	56509716	1	Bearing (for Tensioner Assy)
	36d	56510854	1	Idler Pulley Kit (for Tensioner Assy)
	37	56510077	1	Hose-Air Cleaner
	38	56510090	1	Hose-Air Cleaner
	39	56510126	1	Hose-Radiator
	40	56510127	1	Hose-Radiator
	41	56510350	1	Governor-Controller
	42	56510485	1	Fan Guard Assy-Diesel
	43	56510497	2	Guard-Plate
	[44]	56510600	1	Harness-Kubota Diesel
	45	56740136	1	Plug, Pipe
	46	2-00-05958	16	Hhc, M10 X 1.25 X 20mm
	47	56383568	1	Voltage Regulator Kit-42v

[] = Not Shown

FORM NO. 56042540



3-2011

ENGINE SUB ASSY-DIESEL

6-2012

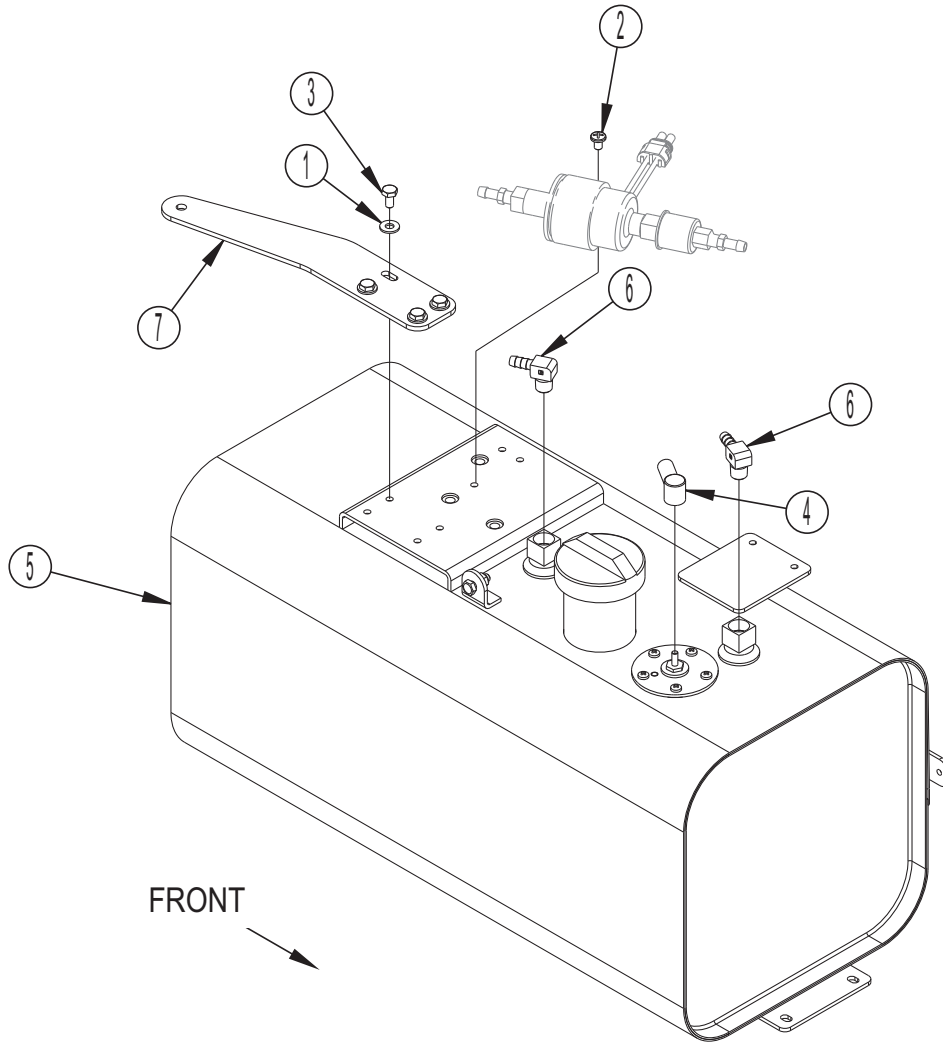
CS7000**65**

Kit	Item	Ref. No.	Qty	Description
	1	56002037	2	Scr, Hex 5/16-18 X .88
	2	56002701	2	Nut, Hex Nyl Loc 5/16-18
	3	56009033	3	Scr, Hex Thd Form 1/4-20 X .50
	4	56111319	1	Speed Sensor
	5	56307249	1	Pulley, Fan (89mm)
	6	56486112	3	Clamp-P
	7	56504477	1	Kit, Low Fan Kub1505
	8	56509853	1	Bracket-Mag Pickup
	9	56509981	1	Plate-Guard
	10	56510140	1	Fan-Cooling
	11	56510149	1	Spacer-Fan
	12	56510205	1	Remote Oil Drain Assy
	13	56510207	1	Manifold-Exhaust
	14	56510208	1	Engine-Kubota D1305
	15	56003361	1	Scr Hex Hd M8 X 35.0
	16	56009052	1	Wsh Int Shprf 5/16

Engine Replacement Parts

	[]	56510208	1	Engine-Kubota D1305
	[]	56510385	1	Alternator-40 Amp
	[]	56419086	1	Fuel Filter Cartridge
	[]	56482659	1	Oil Filter Cartridge
	[]	56419084	1	Alternator Belt
	[]	56419087	1	Fan Belt
	[]	56508454	1	Thermostat Kit
	[]	56419089	1	Starter Motor
	[]	56508444	1	Oil Pressure Switch
	[]	56419091	1	Temp Switch
	[]	56508490	1	Throttle/Shut Down Assembly
	[]	56510350	1	Governor-Controller
	[]	56510152	1	Harness-Engine Interface
	[]	56111319	1	Speed Sensor
	[]	56510126	1	Hose-Radiator (Lower)
	[]	56510127	1	Hose-Radiator (Upper)
	[]	56510205	1	Drain Hose Assy
	[]	56508355	1	Fuel Pump, Electronic
	[]	56419307	1	Strainer, Fuel
	[]	56510077	1	Hose-Air Cleaner (Air Cleaner To Intake)
	[]	56510090	1	Hose-Air Cleaner (Air Cleaner Inlet)
	[]	56508354	1	Fuel Cap
	[]	56510613	1	Sender-Fuel Level
	[]	56510614	1	Tube-Fuel Withdrawl
	[]	56510615	1	Tube-Fuel Return
	[]	56510968	1	Gasket Set-Upper D1305
	[]	56510969	1	Gasket Set-Lower D1305
	[]	56510970	1	Water Pump-D1305
	[]	56510971	1	Pulley-Alternator
	[]	56510972	1	Bracket-Alternator Adj
	[]	56510973	1	Pulley-Crankshaft
	[]	56510974	1	Injection Pump-D1305
	[]	56510975	1	Glow Plug (3 required)
	[]	33019750	1	Kit-Holder Nozzle (Injector) (3 required)
	[]	56482028	1	Filter Safety
	[]	56482029	1	Filter Primary
	[]	56383025	1	Cap-Oil Fill

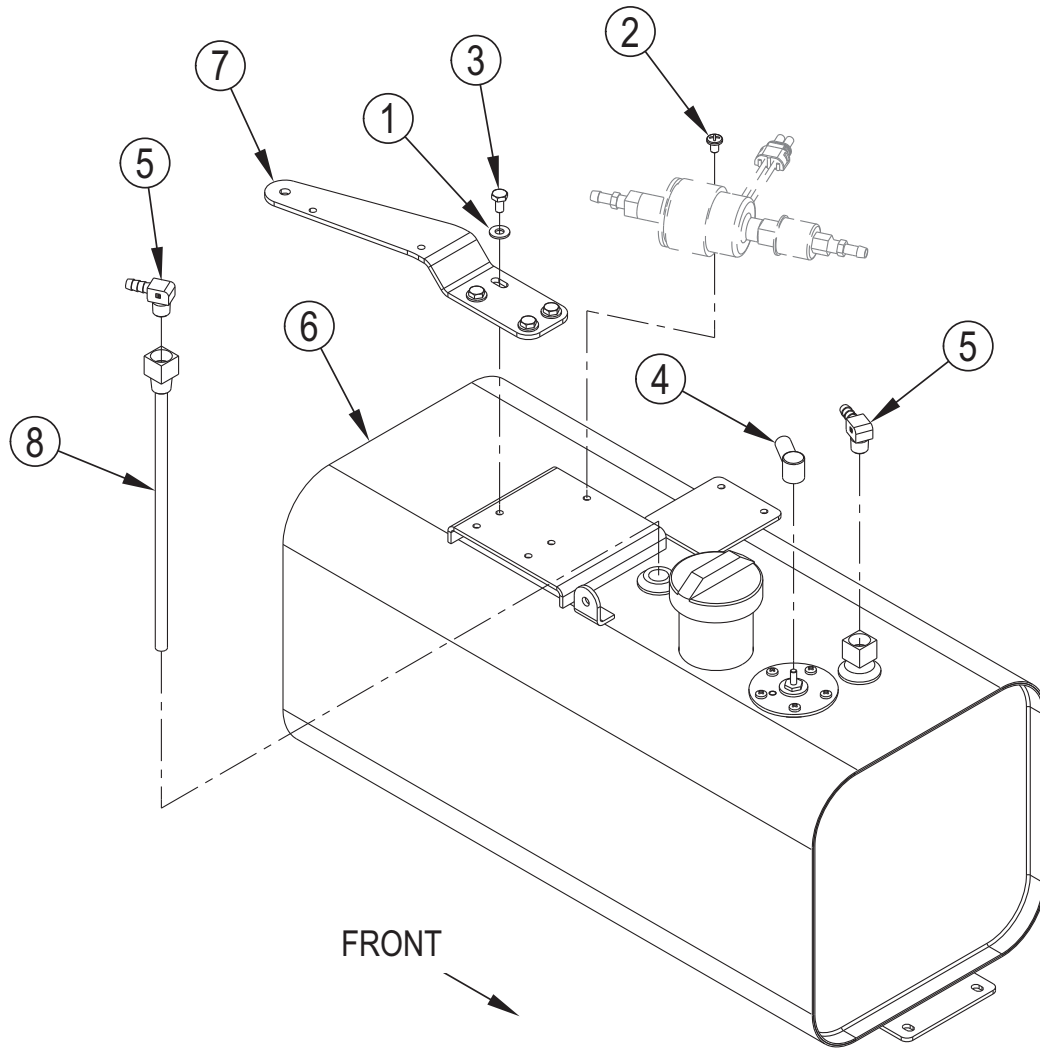
[] = Not Shown



Item	Ref. No.	Qty	Description
1	56002098	4	Wsh, Fit SAE 1/4
2	56003603	1	Scr, Pan Phil Thd Form 1/4-20 X .38
3	56009033	4	Scr, Hex Thd Form 1/4-20 X .50
4	56492305	1	Boot, Rubber
5		1	Fuel Tank Weldment NOTE 1
6	56510495	2	Barb-90 Elbow 5/16 X 1/4npt
7	56511167	1	Bracket-Tank Support
[]	56508354	1	Fuel Cap
[]	56510613	1	Sender-Fuel Level S12
[]	56510614	1	Tube-Fuel Fuel Withdraw
[]	56510615	1	Tube-Fuel Return

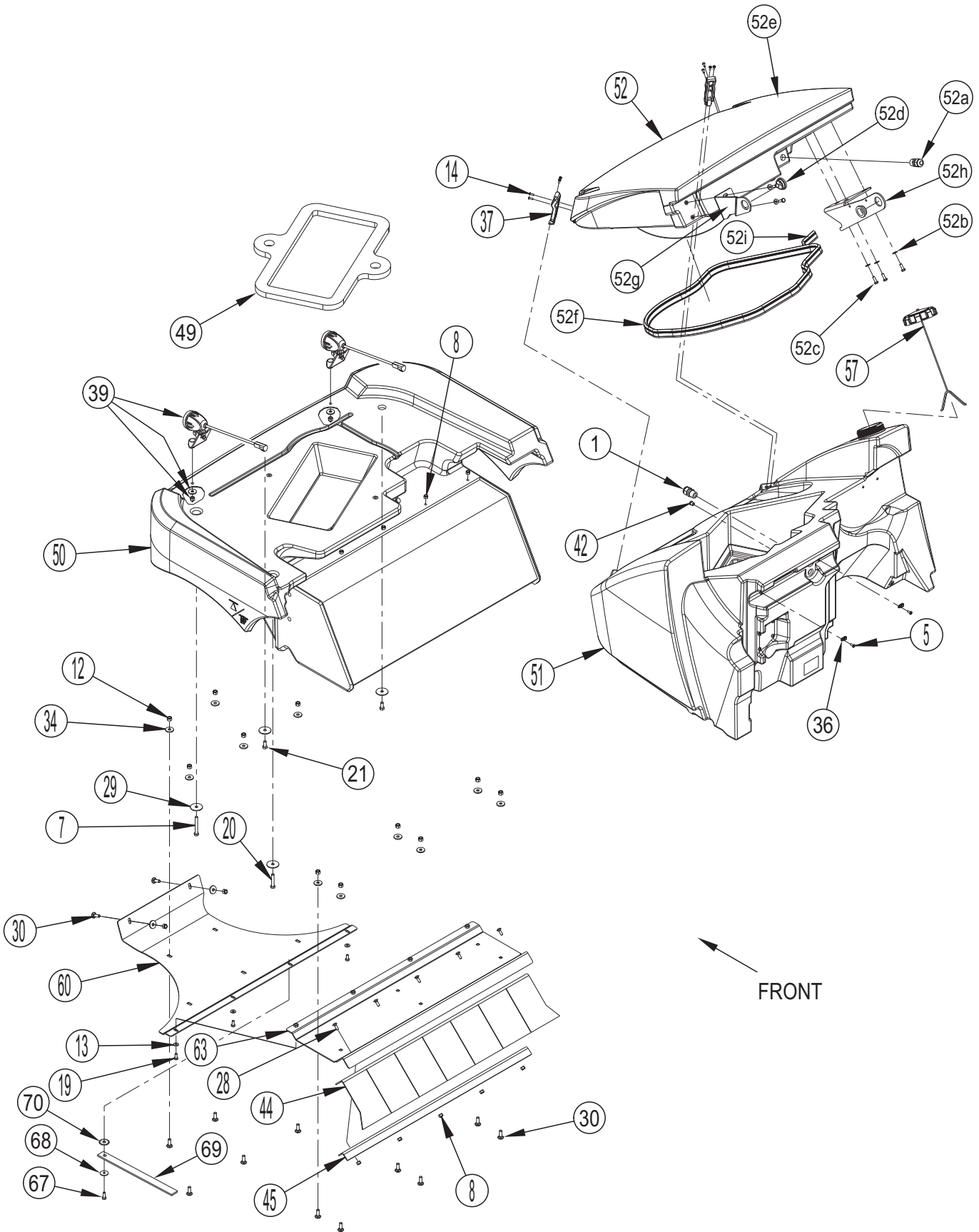
[] = Not Shown

NOTE 1: The diesel fuel tank used prior to December 16, 2013 is no longer available. If you have a machine built prior to December 16, 2013 and need to replace your diesel fuel tank please order the entire fuel tank assembly 56510493.



Item	Ref. No.	Qty	Description
1	56002098	4	Wsh, Flt SAE 1/4
2	56003603	1	Scr, Pan Phil Thd Form 1/4-20 X .38
3	56009033	4	Scr, Hex Thd Form 1/4-20 X0.5
4	56492305	1	Boot, Rubber
5	56510495	2	Barb-90 Elbow 5/16 X 1/4npt
6	56511235	1	Fuel Tank Assembly
7	56511247	1	Bracket-Tank Support
8	56511256	1	Tube-Fuel Return
[]	56508354	1	Fuel Cap
[]	56511257	1	Sender-Fuel Level
[]	56511255	1	Tube-Fuel Withdrawl

[] = Not Shown



3-2011

HOPPER SYSTEM-1

8-2016

CS7000**69**

Kit	Item	Ref. No.	Qty	Description
	1	56323135	1	Strain Relief
	2	56449221	2	Bumper. 1.43 Dia
K4	3		3	Scr. Soc Hd 10-24 X 0.62
K4	4		2	Scr. Hex 5/8-11 X 1.50
K4	5		2	Scr-Pan Phil 10-24 X .50
K4	6		5	Wsh. Flt SAE #8
K4	7		1	Scr. Hex 5/16-18 X 2.50
K3	8		15	Nut. Hex Nyl Loc SS 1/4-20
K4	9		3	Nut. Hex Nyl Loc 10-24
K4	10		1	Nut. Hex Nyl Loc-Thin 5/16-18
K4	11		2	Nut. Hex Nyl Loc-Thin SS 1/4-20
K2,K6	12		13	Nut. Hex Nyl Loc SS 5/16-18
K2,K6	13		3	Wsh-Fit SAE SS 1/4
K1,K4	14		8	Scr. Pan Phil SS 8-32 X .50
	15	56002883	5	Scr- Hex SS 1/4-20 X 1.00
K4	16		2	Wsh. Flt Std SS 3/8
K4	17		4	Scr- Hex SS 3/8-16 X 1.50
K4	18		2	Wsh. Flt Std SS 1/4
K2,K6	19		3	Scr-Hex Loc SS 1/4-20 X .62
K4	20		1	Scr. Hex 5/16-18 X 1.75
K4	21		5	Scr- Hex SS 5/16-18 X .75
K4	22		1	Pin,Clevis .500 X 3.00
K4	23		2	Nut. Hex Nyl Loc SS 3/8-16
K4	24		2	Pin. Cotter Hair
K4	25		2	Ring. Ret Ext 1.00 Shaft
K4	26		1	Clevis Pin
K4	27		3	Wsh-Fit SS .33 X 1.00 X.060
K3,K4	28		12	Scr-Carriage SS 1/4-20 X .75
K4	29		4	Wsh-Fit SS .344 X 1.500 X .080
K2,K6	30		13	Scr-Carriage SS 5/16-18 X 1.00
K4	31		2	Ring. Ret Ext 1.125 Shaft
K4	32		2	Nut. Hex Jam 1/2-13
K2,K4,K6	34		13	Wsh-Fit SS .344 X 1.000 X .109
	35	56305053	3	Sensor. Proximity S3 / S7 / S8 TSB-FC-2016-254
	36	56469854	2	Tie Anchor
K1	37		2	Latch
	39	56383035	2	Light Assy (LT2 / LT3) TSB-FC-2014-011
	[40]	56383029	2	Adapter DT06 To MP280
	41	56507941	2	Bearing. Flange 1.125 X 1.281 X .750
	42	56509079	1	Plug - Pipe 1/8 Npt Plastic
	43	56511192	1	Dump Door Assy
	43a	56002491	13	Nut. Hex Nyl Loc SS 1/4-20
	43b	56002883	7	Scr- Hex SS 1/4-20 X 1.00
	43c	56003715	6	Scr-Carriage SS 1/4-20 X .75
	43d	56009002	2	Wsh. Flt .266 X .906 X .060
	43e	56507177	2	Clamp. Hopper Door Side
	43f	56507178	2	Seal. Hopper Door Side
	43g	56511155	1	Hopper Door Weldt
	43h	56509141	1	Dump Door Pivot Weldt
	43i	56509144	1	Seal-Hopper Door Bottom
	43j	56509145	2	Clamp-Hopper Door Bottom
	43k	56509146	2	Seal-Hopper Door Bottom

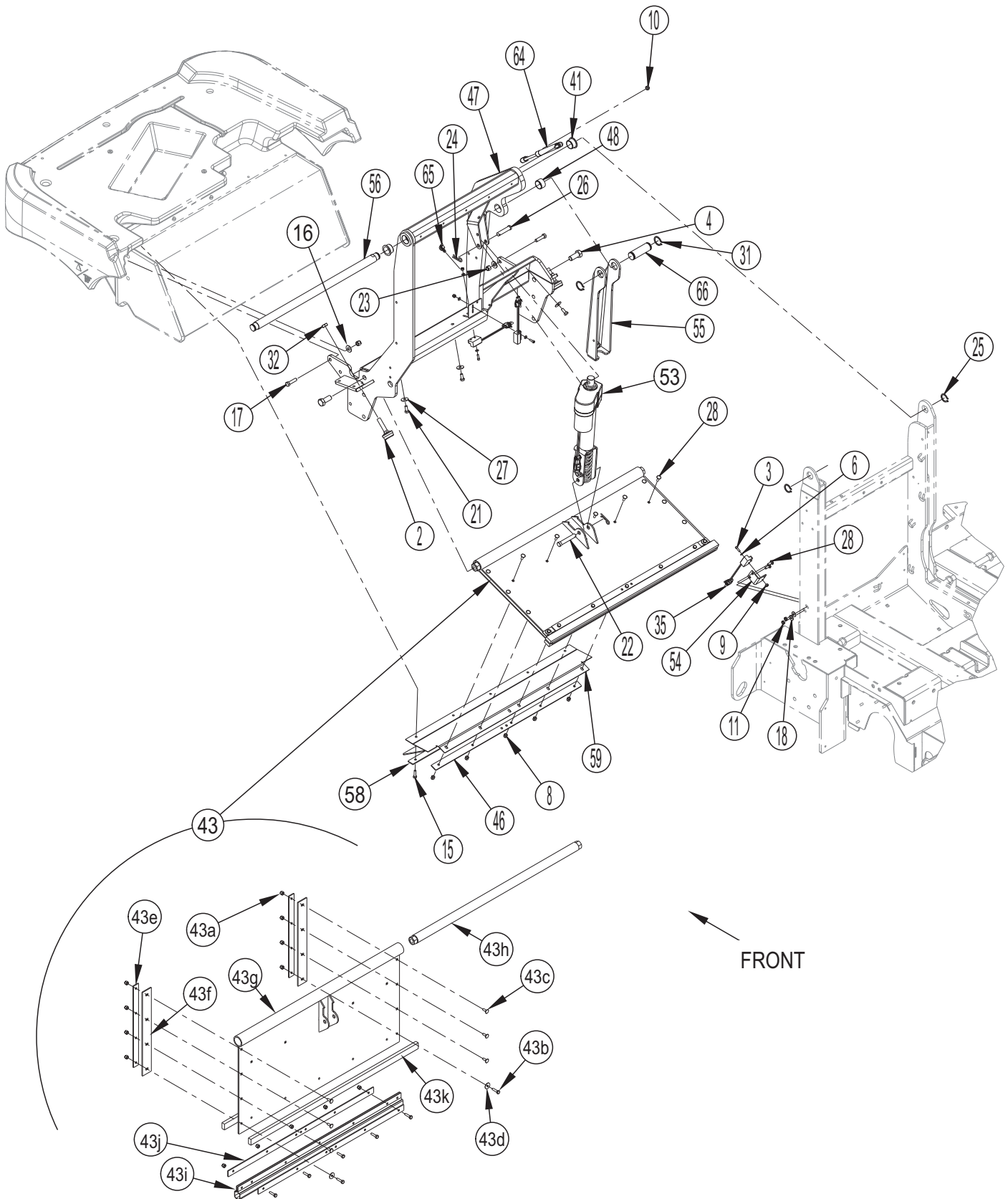
Kit	Item	Ref. No.	Qty	Description
K3	44	56509142	1	Flap-Hopper
K3	45		1	Clamp-Hopper Flap
K5	46		1	Clamp-Hopper Door Bottom
	47	56509388	1	Hopper Lift Weldment
	48	56509398	1	Bearing-Slv 1.125x1.281x0.750
	49	56509399	1	Seal-Hopper
	50	56509400	1	Hopper-Lower
	51	56509401	1	Hopper-Upper
K1	52		1	Hopper Cover Assy
K1	52a		1	Strain Relief
K1	52b		5	Wsh. Fit SAE 1/4
K1	52c		5	Scr. Hex 1/4-20 X .75
K1	52d		2	Bearing, Fl 1 Id X 1-1/4 Od X 1/2 L
K1	52e		1	Cover-Hopper
K1	52f		1	Seal - Hopper Cover
K1	52g		1	Hinge-Hopper Cover Lt
K1	52h		1	Hinge-Hopper Cover Rt
K1	52i		1	Seal-Hopper Cover
	53	56509413	1	Dump Door Actuator Assy
	54	56383694	1	Bracket-Sensor Mounting TSB-FC-2014-005
	55	56509798	1	Prop Rod Assy
	56	56509889	1	Bar-Hopper Hinge
	57	56510148	1	Cap-Vented W/ Tether
K5	58		1	Clamp-Hopper Door Seal
K5	59		1	Seal-Hopper Door
K2,K6	60		1	Plate-Hopper Skid
K2	63		1	Hopper Skid Weldt
	64	56510713	1	Spring-Gas
	65	56507793	1	Clip. Conduit
	66	56507885	1	Pin. Cylinder
	67	56002807	1	Scr- Hex SS 1/4-20 x .75
	68	56009060	1	Wsh-Fit Ss .260 x 1.000 x .074
	69	56416517	1	Strap. Static. 12.5"
	70	2-00-03829	1	Lock Washer. 3/8 Int./Ext. Tooth

Service Kits

K1	56510793	1	Hopper Cover Kit
K2	56510796	1	Skid Plate Kit-Hopper
K3	56510800	1	Hopper Flap Kit
K4	56510802	1	Hardware Kit-Hopper System
K5	56510801	1	Hopper Door Seal Kit
K6	56511579	1	Hopper Guard Kit

[] = Not Shown

FORM NO. 56042540



3-2011

HOPPER SYSTEM-2

8-2016

CS7000**71**

Kit	Item	Ref. No.	Qty	Description
	1	56323135	1	Strain Relief
	2	56449221	2	Bumper. 1.43 Dia
K4	3		3	Scr. Soc Hd 10-24 X 0.62
K4	4		2	Scr. Hex 5/8-11 X 1.50
K4	5		2	Scr-Pan Phil 10-24 X .50
K4	6		5	Wsh. Flt SAE #8
K4	7		1	Scr. Hex 5/16-18 X 2.50
K3	8		15	Nut. Hex Nyl Loc SS 1/4-20
K4	9		3	Nut. Hex Nyl Loc 10-24
K4	10		1	Nut. Hex Nyl Loc-Thin 5/16-18
K4	11		2	Nut. Hex Nyl Loc-Thin SS 1/4-20
K2,K6	12		13	Nut. Hex Nyl Loc SS 5/16-18
K2,K6	13		3	Wsh-Fit SAE SS 1/4
K1,K4	14		8	Scr. Pan Phil SS 8-32 X .50
	15	56002883	5	Scr- Hex SS 1/4-20 X 1.00
K4	16		2	Wsh. Flt Std SS 3/8
K4	17		4	Scr- Hex SS 3/8-16 X 1.50
K4	18		2	Wsh. Flt Std SS 1/4
K2,K6	19		3	Scr-Hex Loc SS 1/4-20 X .62
K4	20		1	Scr. Hex 5/16-18 X 1.75
K4	21		5	Scr- Hex SS 5/16-18 X .75
K4	22		1	Pin. Clevis .500 X 3.00
K4	23		2	Nut. Hex Nyl Loc SS 3/8-16
K4	24		2	Pin. Cotter Hair
K4	25		2	Ring. Ret Ext 1.00 Shaft
K4	26		1	Clevis Pin
K4	27		3	Wsh-Fit SS .33 X 1.00 X.060
K3,K4	28		12	Scr-Carriage SS 1/4-20 X .75
K4	29		4	Wsh-Fit SS .344 X 1.500 X .080
K2,K6	30		13	Scr-Carriage SS 5/16-18 X 1.00
K4	31		2	Ring. Ret Ext 1.125 Shaft
K4	32		2	Nut. Hex Jam 1/2-13
K2,K4,K6	34		13	Wsh-Fit SS .344 X 1.000 X .109
	35	56305053	3	Sensor. Proximity S3 / S7 / S8 TSB-FC-2016-254
	36	56469854	2	Tie Anchor
K1	37		2	Latch
	39	56383035	2	Light Assy (LT2 / LT3) TSB-FC-2014-011
	[40]	56383029	2	Adapter DT06 To MP280
	41	56507941	2	Bearing. Flange 1.125 X 1.281 X .750
	42	56509079	1	Plug - Pipe 1/8 Npt Plastic
	43	56511192	1	Dump Door Assy
	43a	56002491	13	Nut. Hex Nyl Loc Ss 1/4-20
	43b	56002883	7	Scr- Hex SS 1/4-20 X 1.00
	43c	56003715	6	Scr-Carriage SS 1/4-20 X .75
	43d	56009002	2	Wsh. Flt .266 X .906 X .060
	43e	56507177	2	Clamp. Hopper Door Side
	43f	56507178	2	Seal. Hopper Door Side
	43g	56511155	1	Hopper Door Weldt
	43h	56509141	1	Dump Door Pivot Weldt
	43i	56509144	1	Seal-Hopper Door Bottom
	43j	56509145	2	Clamp-Hopper Door Bottom
	43k	56509146	2	Seal-Hopper Door Bottom

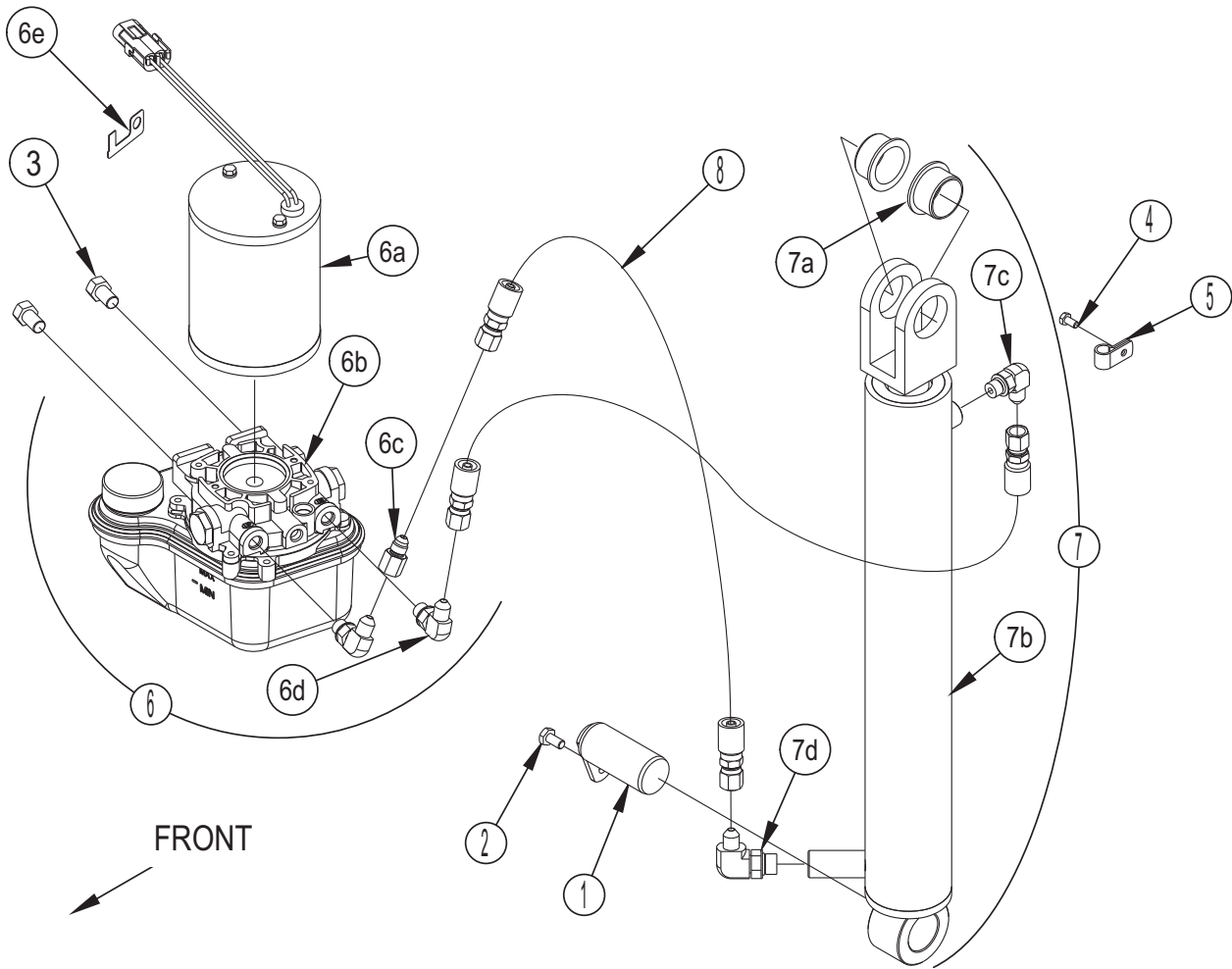
Kit	Item	Ref. No.	Qty	Description
K3	44	56509142	1	Flap-Hopper
K3	45		1	Clamp-Hopper Flap
K5	46		1	Clamp-Hopper Door Bottom
	47	56509388	1	Hopper Lift Weldment
	48	56509398	1	Bearing-Slv 1.125x1.281x0.750
	49	56509399	1	Seal-Hopper
	50	56509400	1	Hopper-Lower
	51	56509401	1	Hopper-Upper
K1	52		1	Hopper Cover Assy
K1	52a		1	Strain Relief
K1	52b		5	Wsh. Flt SAE 1/4
K1	52c		5	Scr. Hex 1/4-20 X .75
K1	52d		2	Bearing. Fl 1 Id X 1-1/4 Od X 1/2 L
K1	52e		1	Cover-Hopper
K1	52f		1	Seal - Hopper Cover
K1	52g		1	Hinge-Hopper Cover Lt
K1	52h		1	Hinge-Hopper Cover Rt
K1	52i		1	Seal-Hopper Cover
	53	56509413	1	Dump Door Actuator Assy
	54	56383694	1	Bracket-Sensor Mounting TSB-FC-2014-005
	55	56509798	1	Prop Rod Assy
	56	56509989	1	Bar-Hopper Hinge
	57	56510148	1	Cap-Vented W/ Tether
K5	58		1	Clamp-Hopper Door Seal
K5	59		1	Seal-Hopper Door
K2,K6	60		1	Plate-Hopper Skid
K2	63		1	Hopper Skid Weldt
	64	56510713	1	Spring-Gas
	65	56507793	1	Clip. Conduit
	66	56507885	1	Pin. Cylinder
	67	56002807	1	Scr- Hex SS 1/4-20 x .75
	68	56009060	1	Wsh-Fit Ss .260 x 1.000 x .074
	69	56416517	1	Strap. Static. 12.5"
	70	2-00-03829	1	Lock Washer. 3/8 Int./Ext. Tooth

Service Kits

K1	56510793	1	Hopper Cover Kit
K2	56510796	1	Skid Plate Kit-Hopper
K3	56510800	1	Hopper Flap Kit
K4	56510802	1	Hardware Kit-Hopper System
K5	56510801	1	Hopper Door Seal Kit
K6	56511579	1	Hopper Guard Kit

[] = Not Shown

FORM NO. 56042540



3-2011

HYDRAULIC SYSTEM

9-2014

CS7000**73**

Kit	Item	Ref. No.	Qty	Description
	1	56416308	1	Left Hinge Pin Weldt
	2	56003039	1	Scr, Hex Hd Loc 1/4-20x.50
	3	56003040	2	Scr, Hex Hd Loc 3/8-16x.62
	4	56009012	1	Scr, Hex Thd Form 10-24 X .38
	5	56172017	1	Clamp-P
	6	56509372	1	Hydraulic Power Pack Assy
	6a	56509373	1	Motor 36v 0.55hp M10
	6b	56509374	1	Hydraulic Pump/Reservoir Assy
	[]	56509383	1	Hydraulic Reservoir Kit (for 56509374)
	[]	56509375	1	Cap-Hyd Reservoir (for 56509374)
	[]	56325157	1	O-Ring (for 56509374)
	6c	56510682	1	Fitting-Orifice
	6d	56900101	2	Elbow, 90 O-Ring
	6e	56409769	1	Clip, Weatherpack Mount
	7		1	Hopper Lift Cylinder Assy
	7a	56507941	2	Bearing, Flange 1.125 X 1.281 X .750
	7b	56509377	1	Cylinder-Hydraulic 2.00 X 13.06
	[]	56509381	1	Seal Kit (for 56509377)
	7c	56900101	1	Elbow, 90 O-Ring
	7d	56900110	1	Elbow, 90 O-Ring
	8	56509382	2	Hose Assy

[] = Not Shown

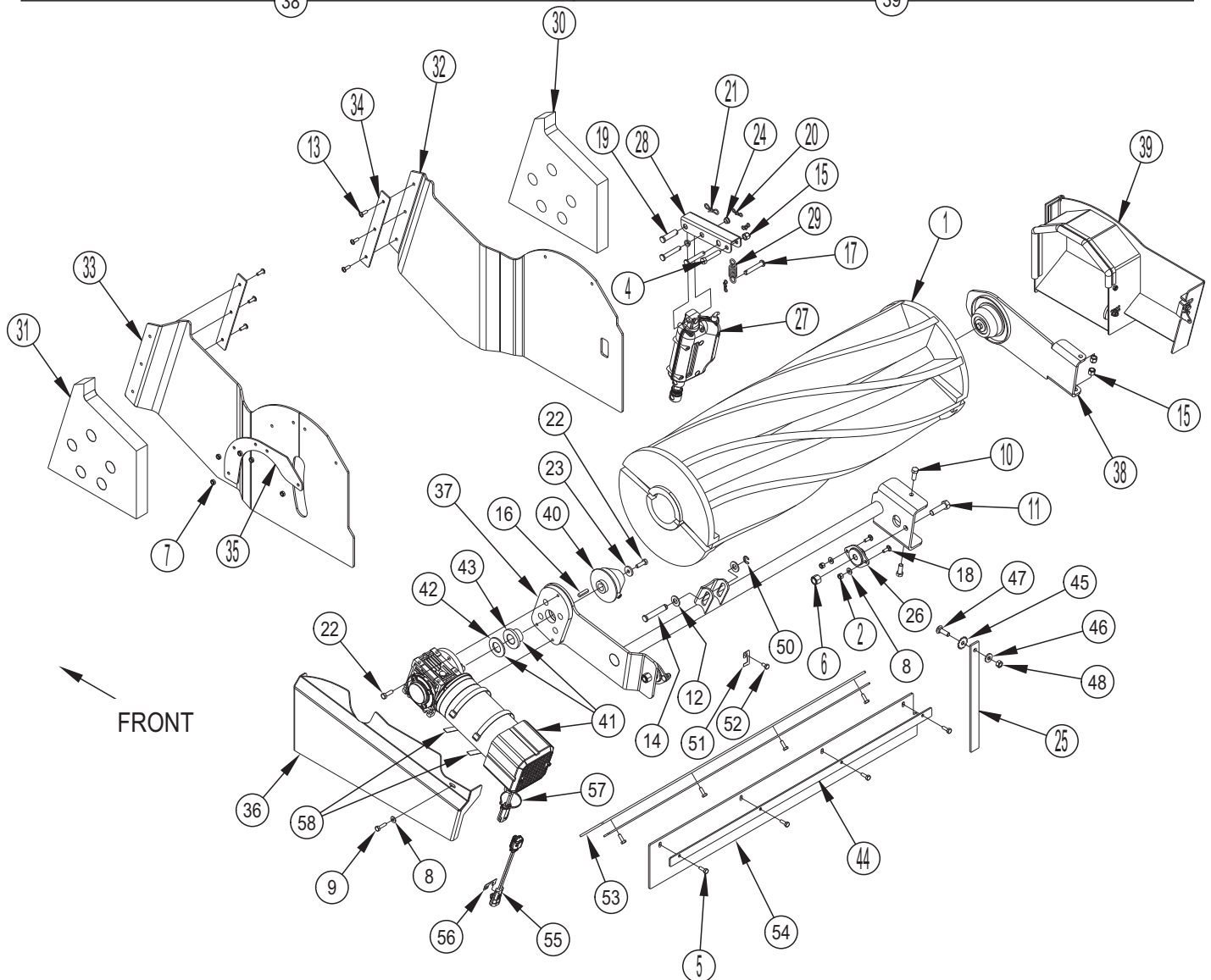
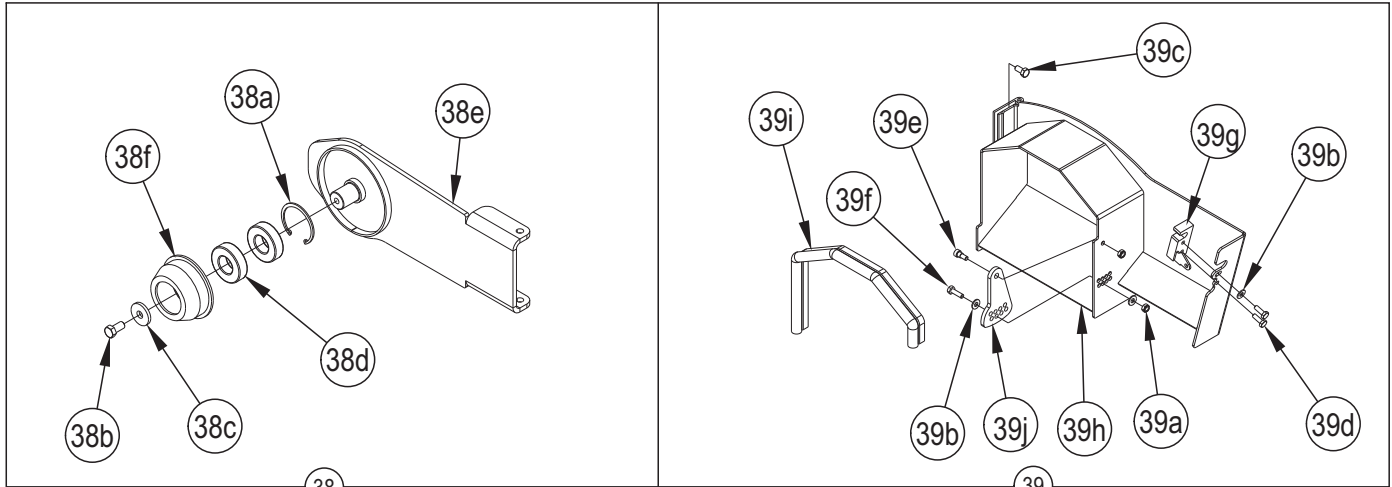
MAIN BROOM SYSTEM

3-2011

74

CS7000

11-2016



Kit	Item	Ref. No.	Qty	Description
	1	33018858	1	Main Broom Spiral
K6	2		4	Nut, Hex Nyl Loc SS 1/4-20
K5	4		1	Scr- Hex SS 3/8-16 X 2.00
K1	5		8	Scr- Hex SS 1/4-20 X .75
K6	6		2	Nut, Hex Nyl Loc SS 1/2-13
K7	7		5	Nut, Hex Nyl Loc-Thin SS 1/4-20
K6,K7	8		5	Wsh-Fit SAE SS 1/4
K7	9		1	Scr- Hex SS 1/4-20 X 1.00
K6	10		2	Scr- Hex SS 3/8-16 X 1.00
K6	11		2	Scr- Hex SS 1/2-13 X 1.75
K6	12		2	Wsh-Fit SAE SS 1/2
K4	13		6	Scr. Pan Phil SS 1/4-20 X .75
K6	14		1	Pin-Clevis-Grooved-SS .5x2.75
K5,K6,K7	15		3	Nut, Hex Nyl Loc SS 3/8-16
K6,K7	16		1	Key, Sq. .25 X 1.19
K5	17		3	Pin-Clevis .375 X 2.25
K6	18		4	Scr-Carriage SS 1/4-20 X .75
K5	19		1	Pin-Clevis .50 X 1.75
K5	20		3	Pin- Bow-Tie Cotter 1/4 - 3/8
K5	21		1	Pin- Bow-Tie Cotter 7/16 - 1/2
K2,K6	22		4	Scr-Hex Loc SS 5/16-18 X 1.00
K7	22		1	Scr-Hex Loc SS 5/16-18 X 1.00
K6,K7	23		1	Wsh, Flt Harden .344x1.000x.120/.135
K5	24		2	Bearing, Flange
	25	56416517	1	Strap, Static, 12.5"
K6	26		2	Bearing
K5	27		1	Actuator-Broom Lift M21
K5	28		1	Arm-Spring
K5	29		1	Spring-Extension
K4	30		1	Foam-Right Skirt
K4	31		1	Foam-Left Skirt
K4	32		1	Skirt-Right
K4	33		1	Skirt-Left
K4	34		2	Strap-Skirt
	35	56509520	1	Strap-Left Skirt
	36	56509525	1	Panel Weldment
K6	37		1	Broom Support Weldment
	38	56511186	1	Broom Arm Assembly
	38a	56003314	1	Ring, Retainer
	38b	56003338	1	Scr-Hex Loc SS 3/8-16 X .75
	38c	56009195	1	Wsh-Fit .406 X 1.25 X .164
	38d	56479430	2	Bearing Ball
	38e	56511138	1	Broom Arm Weldment
	38f	56509726	1	Hub-Broom Idler

Kit	Item	Ref. No.	Qty	Description
	39	56511187	1	Broom Door Assembly
	39a	56002850	2	Nut, Hex Nyl Loc-Thin SS 1/4-20
	39b	56002859	3	Wsh-Fit SAE SS 1/4
	39c	56002937	3	Scr-Hex Loc SS 5/16-18 X .62
	39d	56003221	2	Scr-Hex Loc SS 1/4-20 X .75
	39e	56003717	1	Scr, Soc Shd. .31 X .25 X 1/4-20
	39f	56003844	1	Scr- Hex SS 1/4-20 X .88
	39g	56413802	1	Latch, Rh
	39h	56511116	1	Broom Door Weldment
	39i	56509612	1	Seal-Broom Door
	39j	56509754	1	Arm-Stop
K6	40		1	Hub-Broom Drive Assembly
K2,K9	41#		1	Broom Motor Assembly M1
K3	[]		1	Brush Kit-Motor (for Broom Motor Assembly)
K2,K8	42#	56004012	1	Wsh-Fit 18-8 Ss-1.062x2x.13
K2,K8	43#	56384760	1	Guard-String TSB-FC-2016-273
K1	44		2	Strap-Broom Rear
K7	45		1	Lock Washer, 3/8 Int./Ext. Tooth
K7	46		1	Flat Washer, 1.00 X .39 X .06
K7	47		1	3/8-16 X 1.0", Carriage Bolt
K7	48		1	Nut, Hex, Stop, 3/8-16
K6	50		1	Retaining Ring-E Style-SS .5
	51	56409769	1	Clip Weather Pack
	52	56009033	1	Scr Hex Thd Form 1/4-20x.50
K1	53#		1	Flap-Broom Recirc
K1	54#		1	Skirt-Broom Rear
K9	55#	56384394	1	Jumper-Main/Side Broom
K9	56#	56384494	1	Clip-Mount-Tie Down
K2,K9	57#	56477616	2	Tie, Cable
K2,K9	58#	56478246	1	Tie, Cable

Main Brooms

	33018858	1	Main Broom Spiral
*	33018856	1	Broom-Main Nylon
*	33018857	1	Broom-Main Prolene

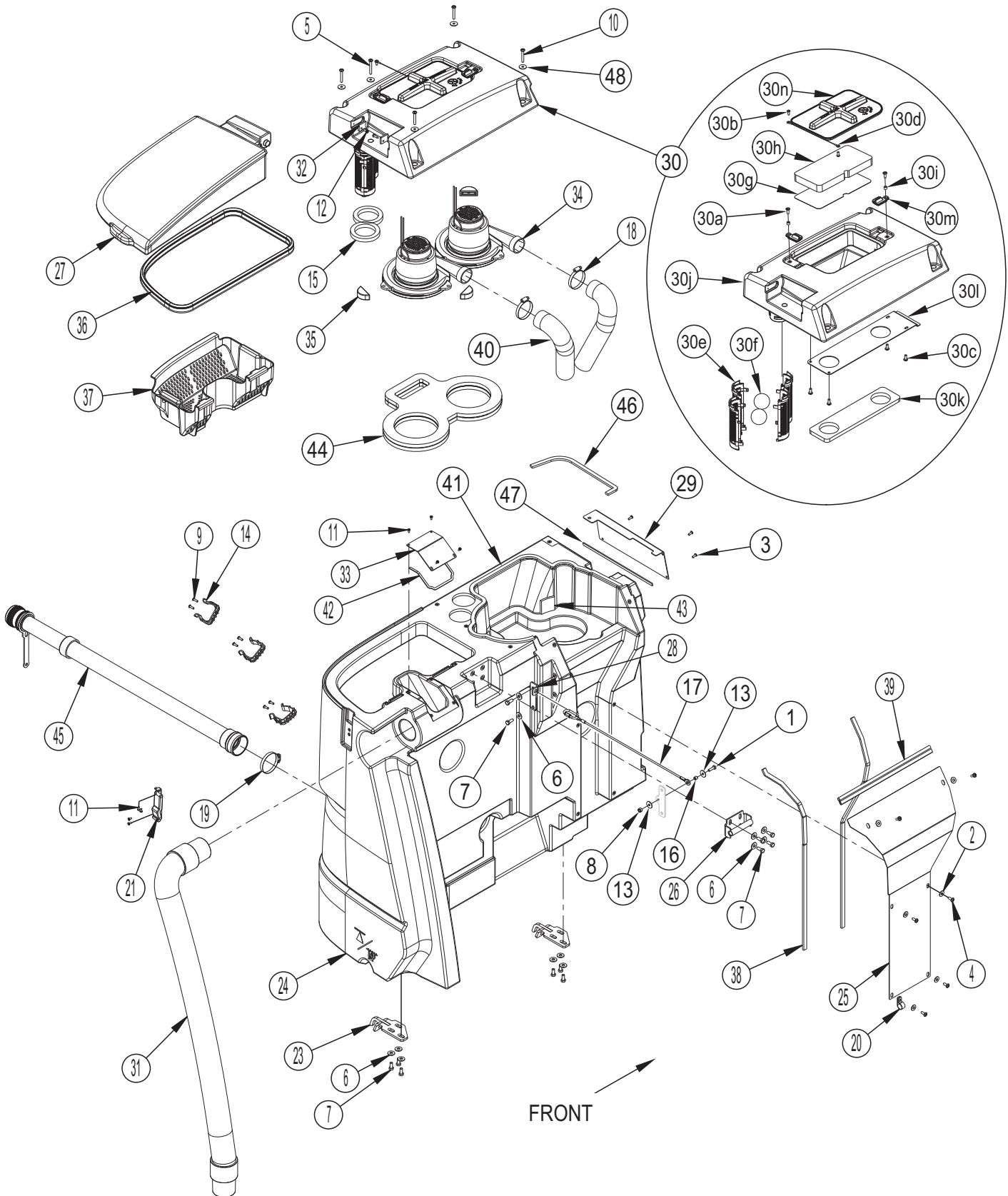
Service Kits

K1	56510739	1	Strap Kit-Broom Rear
K2	56510740	1	Motor Kit-Broom
K3	56384599	1	Brush Kit-Motor (for Broom Motor Assembly)
K4	56510741	1	Skirt Kit-Broom
K5	56510803	1	Actuator Kit-Main Broom
K6	56510804	1	Support Kit-Main Broom
K7	56510805	1	Hardware Kit-Main Broom
K8	56384904	1	String Guard Kit
K9	56384531	1	Motor Only Kit-Main Broom

= Revised or new since last update

* = Optional, Not Included

[] = Not Shown



3-2011

RECOVERY SYSTEM

8-2016

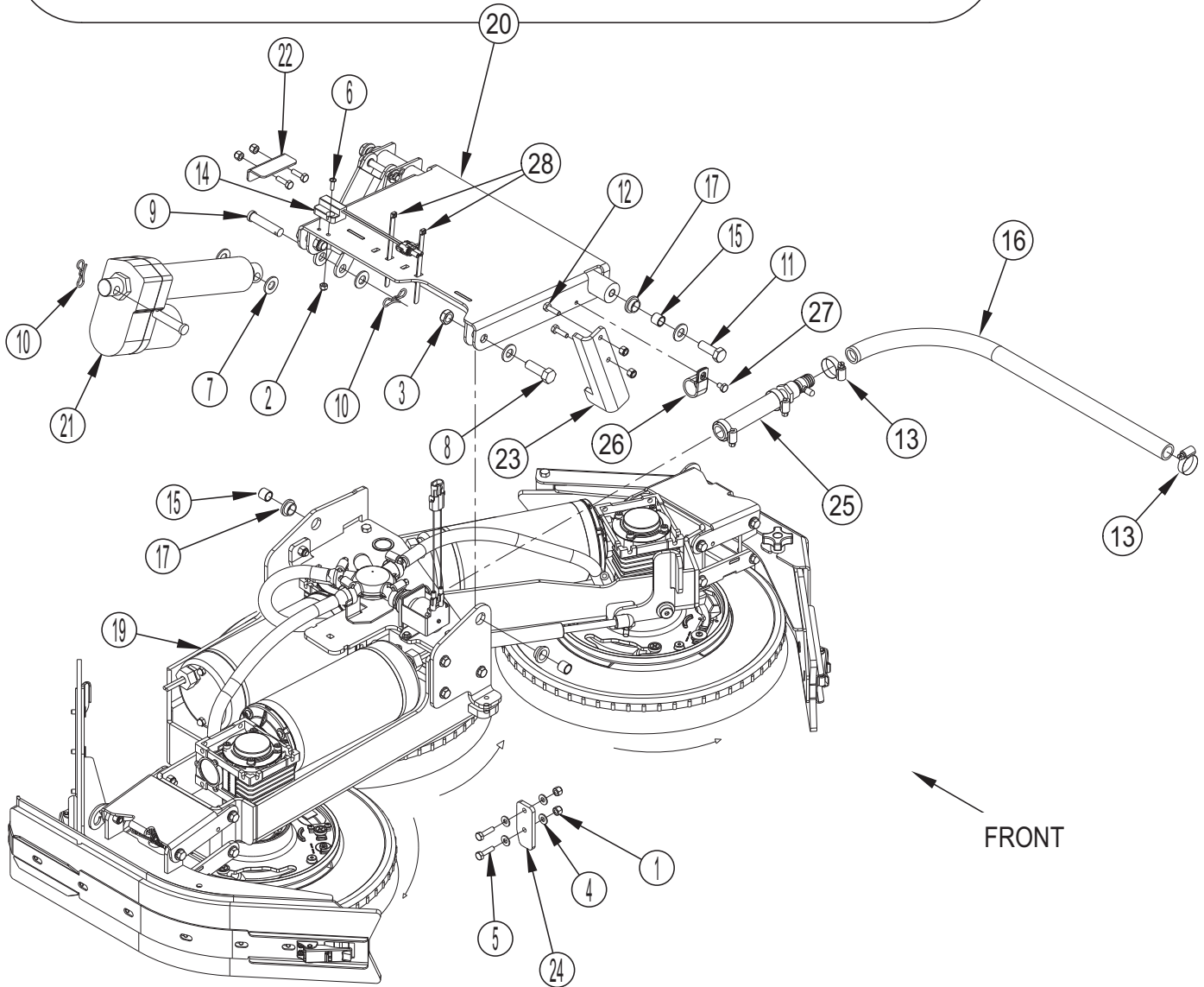
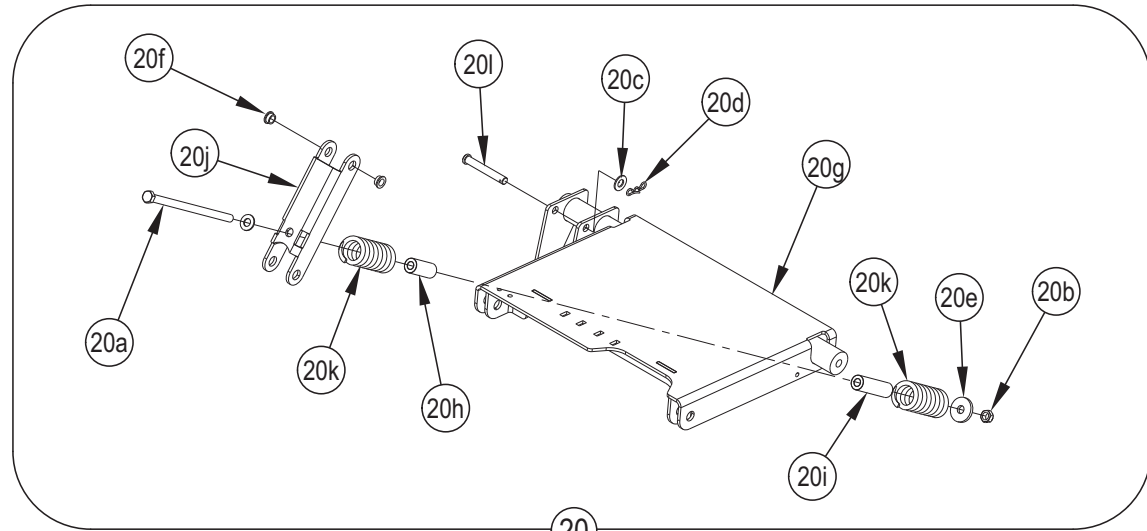
CS7000**77**

Kit	Item	Ref. No.	Qty	Description
K5	1		1	Scr. Hex 1/4-20 X .88
K5	2		6	Wsh. Flt Std 1/4
K5	3		3	Scr-Pan Phil 10-24 X .50
K5	4		6	Scr-Pan Phil 1/4-20 X .62
K5	5		1	Scr-Pan Phil S.S. 1/4-20 X 2.0
K5,K6	6		12	Wsh. Flt Std 5/16
K5,K6	7		12	Scr. Hex 5/16-18 X .75
K5	8		1	Nut. Hex Nyl Loc 1/4-20
K4	9		6	Scr. Pan Phil SS 10-24 X .62
K5	10		4	Scr Pan Phil SS 1/4-20 X 1.75
K5	11		8	Scr. Pan Phil SS 8-32 X .38
K5	12		2	Scr Panphils Type Ab 10-16x.75
K5	13		2	Wsh. Flt .266 X .906 X .060
K4	14		3	Clamp. Plastic
	15	56314760	2	Gasket. Vacuum Duct
	16	56368989	1	Bushing
	17	56382992	1	Cable Assy-Quick Link-19.5 In
	18	56440213	2	Clamp- Hose SAE #32
K3	19		1	Clamp- Hose SAE #36
	20	56486112	1	Clamp-P
	21	56507188	1	Latch
K6	23		2	Tank Pivot Weldt
	24	56509194	1	Tank-Recovery
	25	56509285	1	Exhaust Cover
	26	56509304	1	Latch Pin Weldment
K1	27	56509350	1	Cover - Recovery Tank
	28	56509355	1	Tether Hook
	29	56509364	1	Plate-Cover
	30		1	Vac Fan Cover Assy
	30a	56002989	2	Scr Pan Phil SS 1/4-20 X .62
	30b	56009191	2	Scr. Pan Phil Plastite 10-14 X .50
	30c	56009210	4	Scr. Pan Phil Type B 1/4-14 X .62
	30d	56314400	1	Wire Rope, 9 Inch
K2	30e		4	Cage. Float
K2	30f		2	Ball. Float
	30g	56413194	1	Screen. Filter
	30h	56413195	1	Filter
	30i	56453849	2	Bushing .26x.37x.28
	30j	56509201	1	Cover-Vac Fan
	30k	56509352	1	Gasket - Vac Fan Top
	30l	56509353	1	Plate - Vac Cover
	30m	56510695	2	Latch-Plastic
	30n	56510701	1	Lid Assy-Vac Filter
		56314491	1	Gasket Vac Cover

Kit	Item	Ref. No.	Qty	Description
	31	56509985	1	Hose-Squeegee
	32	56510143	2	Tab-Hinge
	33	56510189	1	Plate-Inlet
	34	56510209	2	Motor-Vac-36vdc M6 / M7 TSB-FC-2014-018
				TSB-FC-2016-256
K7	[]		1	Vacuum Motor Brush Kit
	35	56510231	4	Mount-Isolator
K1	36	56510232	1	Gasket-Recovery Cover
	37	56510611	1	Debris Basket
	38	56510674	2	Gasket-Cover
	39	56510676	1	Trim-Seal
	40	56510677	2	Foam Tube Assy
	41	56510678	1	Gasket-Tank
	42	56510679	1	Gasket-Inlet Plate
	43	56510686	5	Isolator-Foam
	44	56510689	1	Seal Assy-Vac Fan
K3	45		1	Drain Hose Ribbed
	46	56511189	1	Gasket-Panel
	47	56511190	1	Gasket-Cover
K5	48		5	Wsh-Flt SS .266 X .906 X .060

Service Kits

K1	56510580	1	Lid Kit-Rec
K2	56510583	1	Float Ball Cage Kit
K3	56383261	1	Drain Hose Kit
K4	56510586	1	Clip Kit-Drain Hose
K5	56510820	1	Hardware Kit-Rec Sys
K6	56510584	1	Pivot Kit-Rec Tank
K7	56384665	1	Vacuum Motor Brush Kit



FRONT

3-2011

SCRUB SYSTEM

2-2015

CS7000

79

Kit	Item	Ref. No.	Qty	Description
K1	1		6	Nut, Hex Nyl Loc SS 1/4-20
K1	2		1	Nut, Hex Nyl Loc SS 10-24
K1	3		2	Nut, Hex Nyl Loc-Thin SS 1/2-13
K1	4		4	Wsh-Flt SAE SS 1/4
K1	5		2	Scr- Hex SS 1/4-20 X 1.00
K1	6		1	Scr, Pan Phil SS 10-24 X .62
K1	7		7	Wsh-Flt SAE SS 1/2
K1	8		2	Scr- Hex SS 1/2-13 X 1.50
K1	9		2	Clevis Pin
K1	10		2	Pin- Bow-Tie Cotter 7/16 - 1/2
K1	11		2	Scr-Hex Loc SS M12-1.75 X 35mm
K1	12		4	Scr- Hex SS 1/4-20 X .88
	13	56244969	2	Clamp- Hose SAE #12
	14	56305053	1	Sensor, Proximity S1, TSB-FC-2014-037
	15	56367206	4	Bushing
	16	56510948	1	Hose-.75 X 21.50 In. Spiral
	17	56420160	4	Bearing, Flange
	19		1	Assembly-Deck
	20		1	Arm-Deck Lift Assembly
	20a	56003845	1	Scr, Hex SS 3/8-16 X 7.00
	20b	56002852	1	Nut, Hex Nyl Loc-Thin SS 3/8-16
	20c	56002910	2	Wsh-Flt SAE SS 3/8
	20d	56003813	1	Pin- Bow-Tie Cotter 1/4 - 3/8
	20e	56009195	1	Wsh-Flt .406 X 1.25 X .164
	20f	56324505	2	Bearing, Flange
	20g	56509159	1	Deck Lift Weldment
	20h	56509186	1	Spacer-.385 X .75 X 1.75
	20i	56509189	1	Spacer-.385 X .75 X 2.56
	20j	56509190	1	Arm-Lift Spring
	20k	56601470	2	Compression Spring
	20l	2-00-06075	1	Pin Clevis 3/8 X 2.625
	21	56509439	1	Actuator-Scrub Deck M11
	22	56509567	1	Bracket-Sensor Target TSB-FC-2014-037
	23	56509622	1	Bracket-Positive Stop
	24	56510625	1	Stop-Scrub Deck
	25	56510946	1	Chem. Injection Tee Assy
	26	56303651	1	Clamp P CI-16
	27	56009019	1	Scr Hex Thd Form 1/4-20x .38
	28	2-00-04345	2	Ty-Rap Thomas+Betts-Ty-28m

Service Kits

K1	56510806	1	Hardware Kit-Scrub Sys
----	----------	---	------------------------

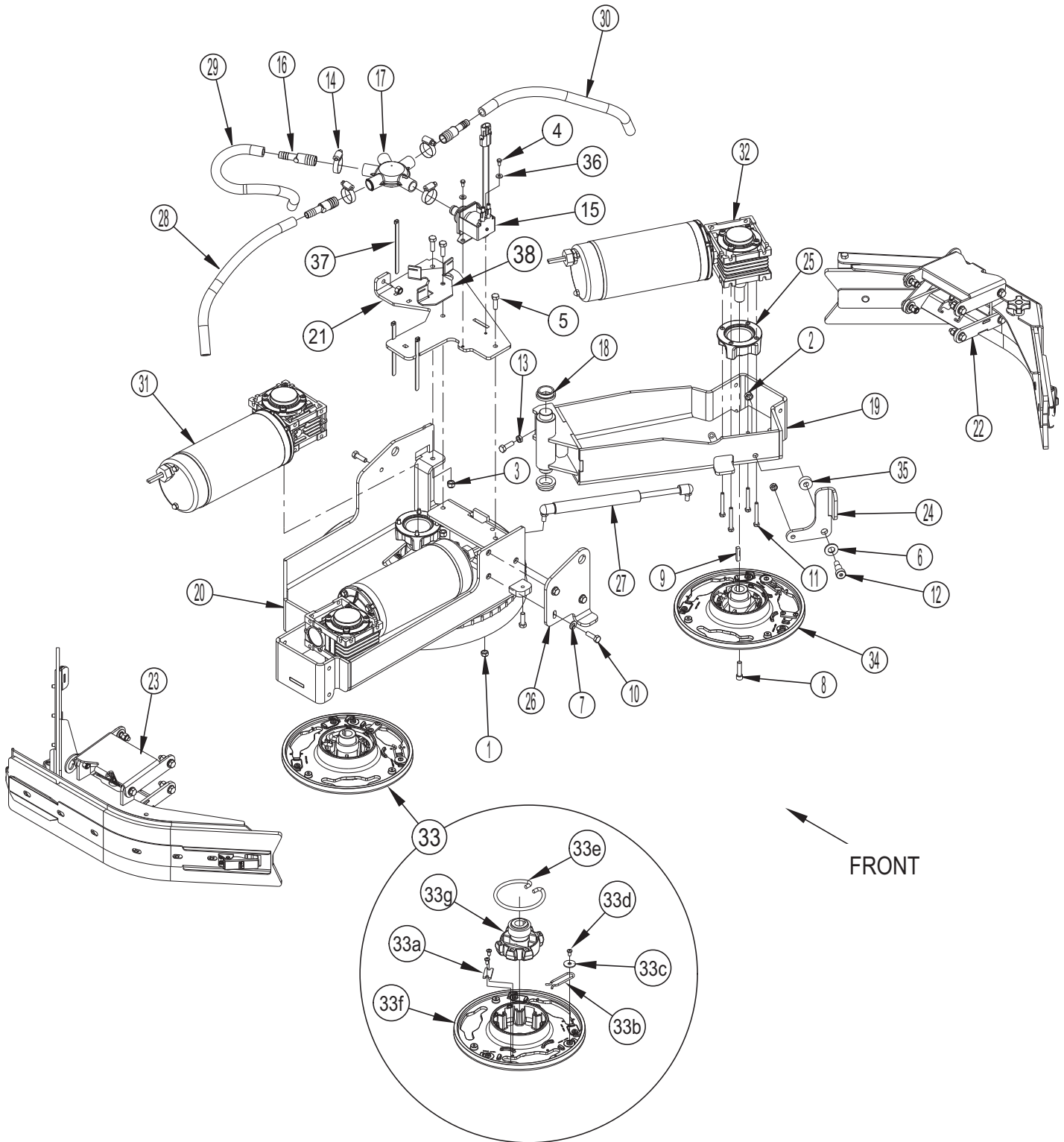
SCRUB SYSTEM-DECK ASSY

3-2011

80

CS7000

2-2016



3-2011

SCRUB SYSTEM-DECK ASSY

2-2016

CS7000**81**

Kit	Item	Ref. No.	Qty	Description
K1	1		2	Nut, Hex Nyl Loc-Thin SS 5/16-18
K1	2		1	Nut, Hex Nyl Loc-Thin SS 3/8-16
K1	3		4	Nut, Hex Nyl Loc SS 5/16-18
K1	4		2	Scr- Hex SS 10-24 X .38
K1	5		5	Scr- Hex SS 5/16-18 X 1.00
K1	6		1	Wsh-Flt SAE SS 1/2
K1	7		3	Wsh-Flt SAE SS 5/16
K1	8		3	Scr-Soc Hd SS 5/16-18 X 1.25
K1	9		3	Key, Sq .25 X 1.44
K1	10		4	Scr-Hex Loc SS 5/16-18 X 1.00
K1	11		12	Scr-Hex Loc SS M6-1 X 50mm
K1	12		1	Scr-Soc Shd .50 X .75 X 3/8-16
K1	13		1	Nut-Hex Jam SS 5/16-18
	14	56244969	4	Clamp- Hose SAE #12 TSB-FC-2015-034 NOTE 2, NOTE 3
	15	56303275	1	Solenoid Valve Assy L1 TSB-FC-2015-023
	16	56315625	3	Barb, Coupler 1/2 X 3/4
	17	56413426	1	Manifold, Solution
	18	56507767	2	Bearing, FI 1 Id X 1-1/4 Od X 1/2 L
	19	56511129	1	Arm-Weldment
	20	56511158	1	Deck-Weldment
	21	56511159	1	Plate-Pivot
	22		1	Assembly-Side Squeegee
	23		1	Assembly-Side Squeegee
	24	56511210	1	Bracket-Lever Arm
	25	56510005	3	Spacer-Motor
	26	56511126	1	Bracket-Scrub Adjustment
	27	56510144	1	Spring-Gas
	28	56510287	1	Hose-Push Lock 14
	29	56510288	1	Hose-Push Lock 17.5
	30	56510289	1	Hose-Push Lock 16
	31	56510291	2	Scrub Motor Assembly M2 / M3
	[]	56510763	1	Brush Kit (for 56510291)
	32	56510292	1	Scrub Motor Assembly M4
	[]	56510763	1	Brush Kit (for 56510292)
	33	56601276	2	Brush Plate Assy
	33a	56366455	1	Plate, Stop
	33b	56366463	1	Spring Retainer
	33c	56009002	1	Wsh, Flt .266 X .906 X .060
	33d	56009247	3	Scr, Pan Phil Plastite 10-14 X .38
	33e	56601056	1	Spring, Brush Holder
	33f	56601118	1	Brush Plate
	33g	56112521	1	Gimbal-Collar Assembly
	34	56601384	1	Brush Plate Assy NOTE 1
	35	56510990	1	Spacer .406x1.00x.370
K1	36		2	Wsh Flt SS .219x.500x.047/.062
	37	2-00-04345	3	Ty-Rap Thomas+Betts-Ty-28m
	38	56384701	1	Bracket-Manifold TSB-FC-2015-034 NOTE 2, NOTE 3

Service Kits

K1 56510807 1 Hardware Kit-Deck Assy

[] = Not Shown

NOTE 1: Uses same components as 56601276.**NOTE 2:** If your machine was built before serial number 1000061345, please order the service kit 56384703 Manifold Bracket Kit that secures the manifold from moving during brush operation, eliminating the likelihood of the manifold wearing out.**NOTE 3:** All machines built starting with serial number 1000061346 and after will have the bracket already installed and will not need the kit.

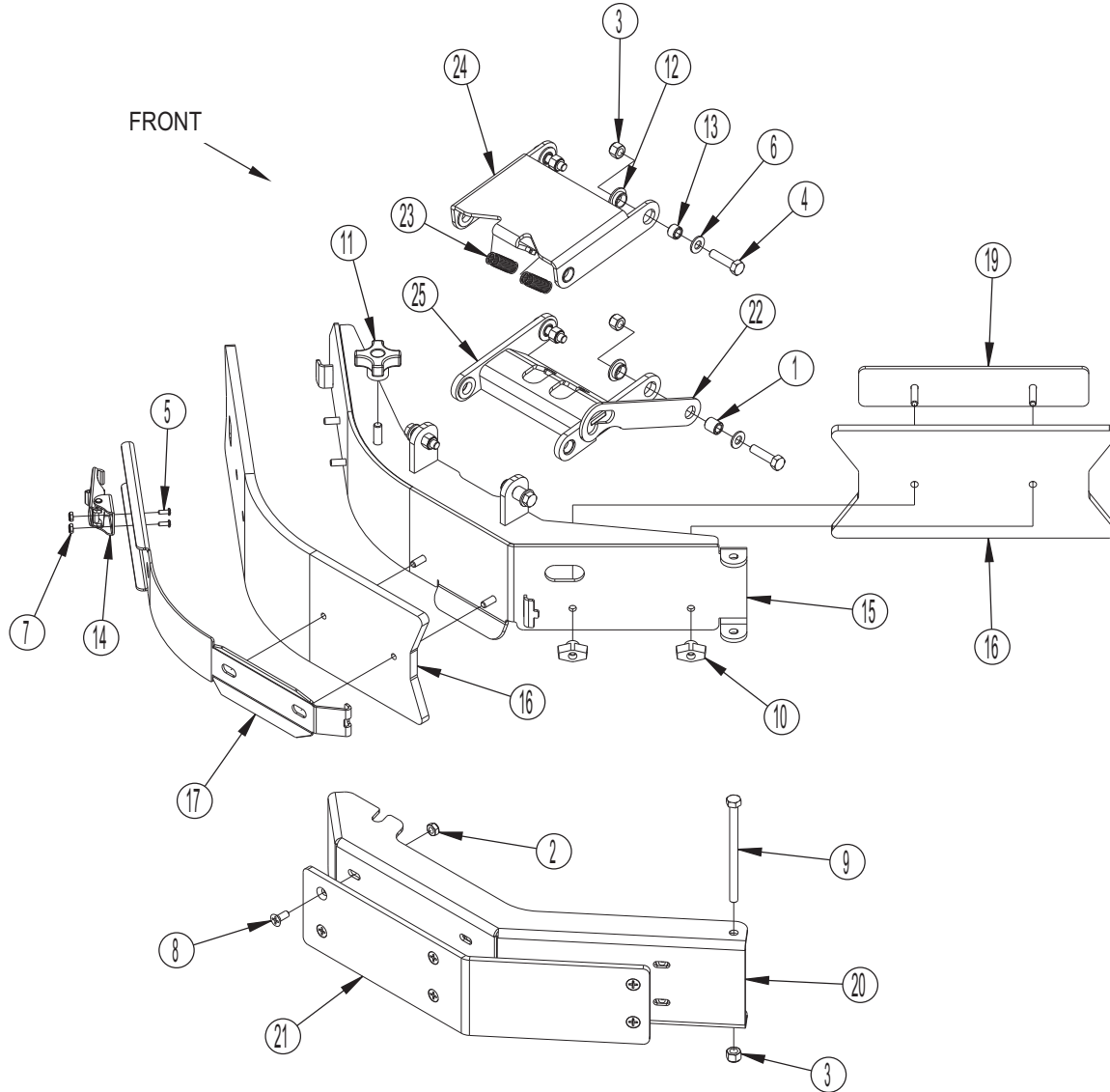
SCRUB SYSTEM-RIGHT SKIRT ASSY

3-2011

82

CS7000

9-2014



Kit	Item	Ref. No.	Qty	Description
			1	Assembly-Side Squeegee
K1	1		2	Bushing
K4	2		6	Nut, Hex Nyl Loc-Thin SS 1/4-20
K1.K3	3		9	Nut, Hex Nyl Loc SS 5/16-18
K1	4		8	Scr- Hex SS 5/16-18 X 1.25
K2	5		2	Scr. Pan Phil SS 6-32 X .38
K1	6		8	Wsh-Flt SAE SS 5/16
K2	7		2	Nut, Hex Nyl Loc-Thin SS 6-32
K4	8		6	Scr-Flt Phil SS 1/4-20 X .75
K3	9		1	Scr- Hex SS 5/16-18 X 4.50
K3	10		2	Knob, Wing
	11	56407303	1	Knob
K1	12		8	Bearing, Flange .625 X .500 X .250
K1	13		6	Bushing .32x.50x.35
K2	14		1	Latch Assembly
	15	56511160	1	Blade Support Weldment
	16	56510374	1	Blade Kit-Deck Red Gum NOTE 1

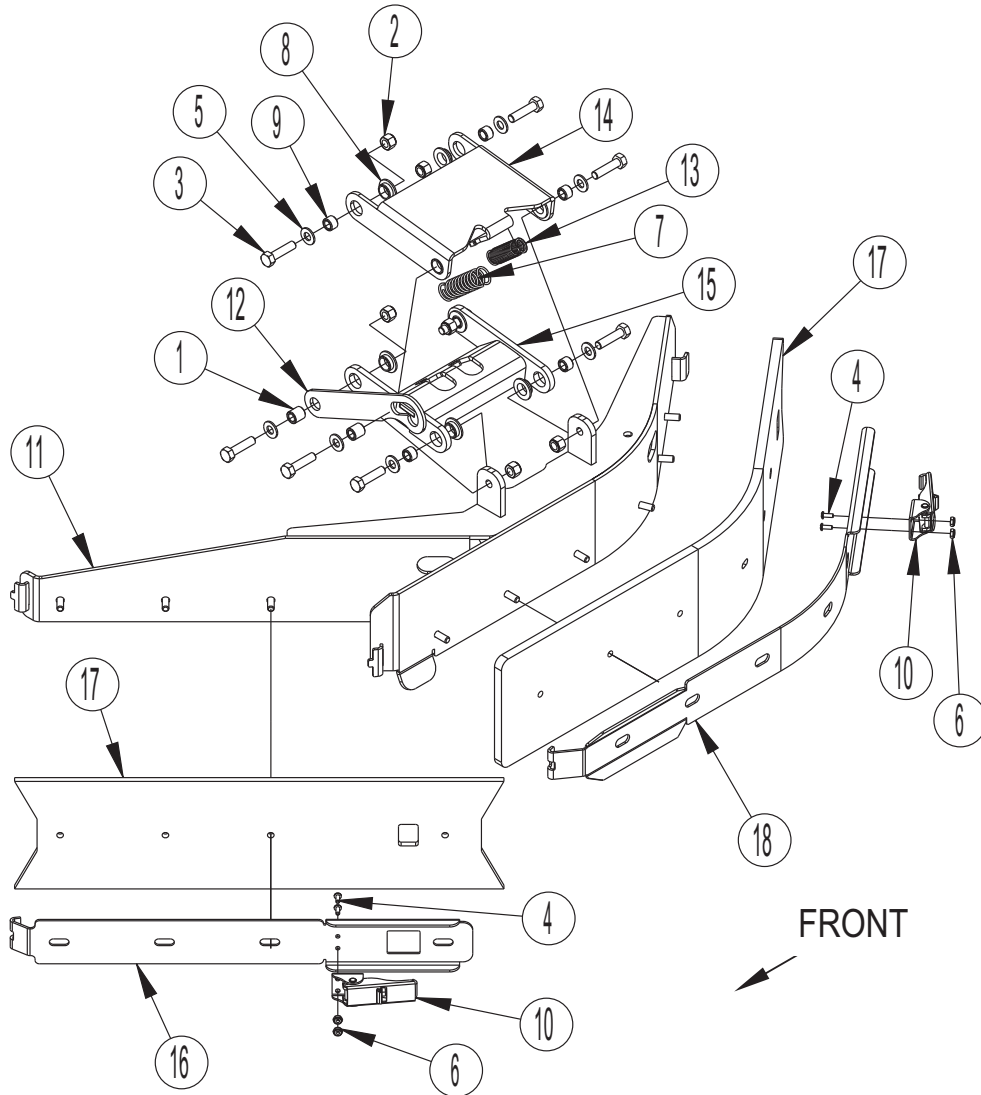
Kit	Item	Ref. No.	Qty	Description
K2	17		1	Strap-Blade
	19	56511275	1	Strap Weldment-Squeegee
	20	56511213	1	Guard-Edge Scrub
K4	21		1	Guard-Uhmw
K1	22	56510139	1	Plate-Catch
K1	23	56510254	2	Spring-Extension
K1	24		1	Arm-Side Squeegee Weldt
K1	25		1	Arm-Side Squeegee Weldt
Deck Blade Kits				
		56510374	1	Blade Kit-Deck Red Gum NOTE 1
	*	56510375	1	Blade Kit-Deck Gum NOTE 1
	*	56510376	1	Blade Kit-Deck PU NOTE 1

Service Kits

K1	56383050	1	Arm Kit-Right Side Squeegee
K2	56510811	1	Strap Kit-Side Squeegee
K3	56510812	1	Hardware Kit-Side Squeegee Rt
K4	56510813	1	Guard Kit-UHMW

* = Optional, Not Included

NOTE 1: All Deck Blade Kits include all blades for both skirt assemblies



Kit	Item	Ref. No.	Qty	Description
			1	Assembly-Side Squeegee
K1	1		2	Bushing
K1	2		8	Nut, Hex Nyl Loc SS 5/16-18
K1	3		8	Scr- Hex SS 5/16-18 X 1.25
K2,K3	4		4	Scr. Pan Phil SS 6-32 X .38
K1	5		8	Wsh-Fit SAE SS 5/16
K2,K3	6		4	Nut, Hex Nyl Loc-Thin SS 6-32
K1	7	56305253	1	Spring, Extension
K1	8		8	Bearing, Flange .625 X .500 X .250
K1	9		6	Bushing .32x.50x.35
K2,K3	10		2	Latch Assembly
	11	56511161	1	Blade Support Weldment

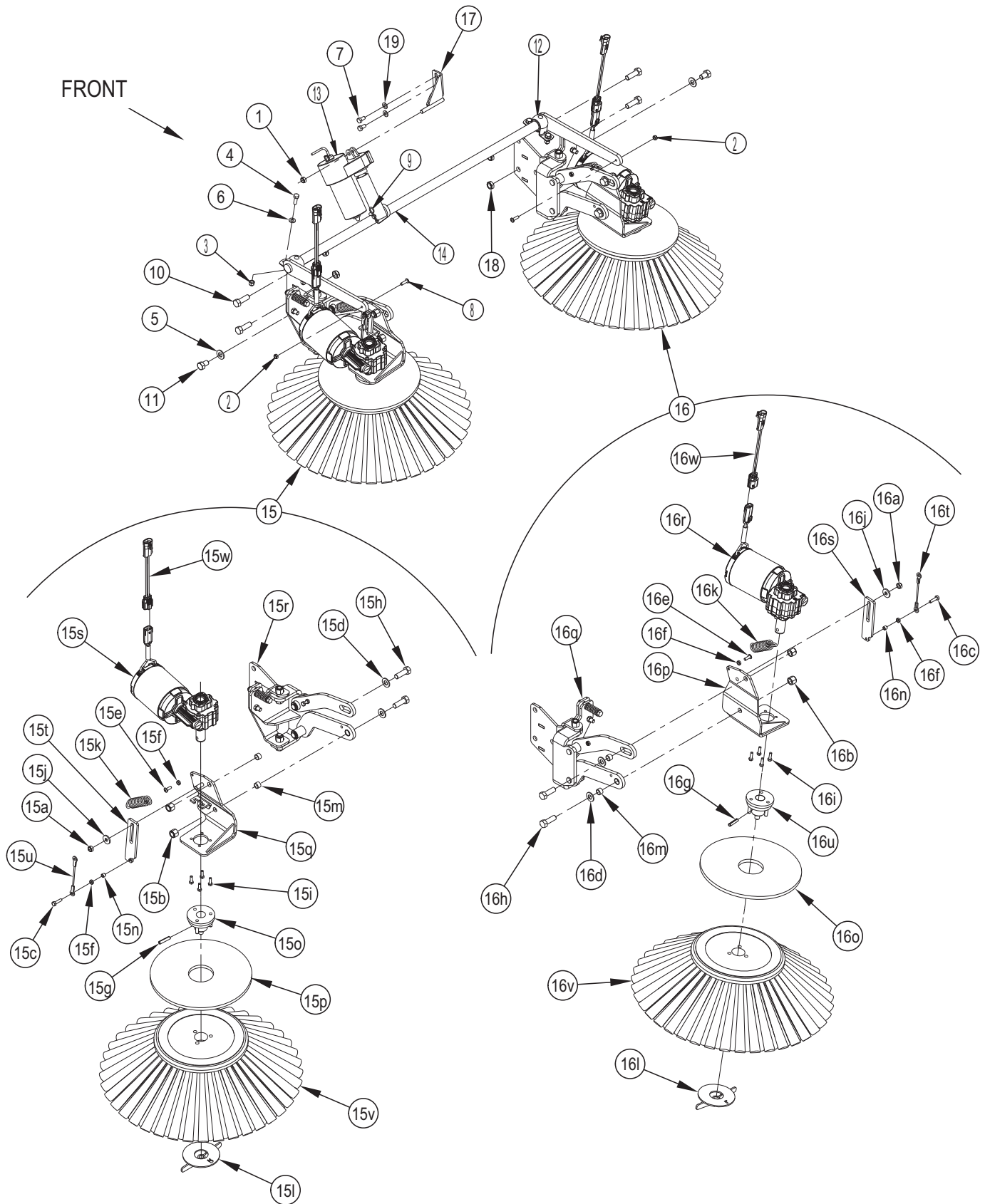
Kit	Item	Ref. No.	Qty	Description
K1	12	56510139	1	Plate-Catch
K1	13	56510254	1	Spring-Extension
K1	14		1	Arm-Side Squeegee Weldt
K1	15		1	Arm-Side Squeegee Weldt
K2	16		1	Strap-Blade
	17	56510374	1	Blade Kit-Deck Red Gum NOTE 1
K3	18		1	Strap-Blade
				Deck Blade Kits
		56510374	1	Blade Kit-Deck Red Gum NOTE 1
	*	56510375	1	Blade Kit-Deck Gum NOTE 1
	*	56510376	1	Blade Kit-Deck PU NOTE 1

Service Kits

K1	56510810	1	Arm Kit-Left Side Squeegee
K2	56510883	1	Strap Kit-Side Squeegee LT FR
K3	56510882	1	Strap Kit-Side Squeegee LT RR

* = Optional, Not Included

NOTE 1: All Deck Blade Kits include all blades for both skirt assemblies



3-2011

SIDE BROOM SYSTEM

8-2016

CS7000**85**

Kit	Item	Ref. No.	Qty	Description
K4	1		1	Nut, Hex Nyl Loc-Thin 3/8-16
K4	2		2	Nut, Hex Nyl Loc-Thin SS 1/4-20
K1	3		4	Nut, Hex Nyl Loc SS 5/16-18
K1	4		4	Scr- Hex SS 5/16-18 X 1.00
K4	5		2	Wsh-Fit SAE SS 1/2
K1	6		4	Wsh-Fit SAE SS 5/16
K4	7		2	Scr. Hex Hd Loc
K4	8		2	Scr. Pan Phil SS 1/4-20 X .88
K4	9		1	Pin. Cotter Hair .0915 X .375
K4	10		4	Scr- Hex SS 1/2-13 X 1.50
K4	11		2	Scr-Hex Loc SS 1/2-13 X .75
K1	12		2	Bearing, Pillow Block
	13	56413111	1	Actuator-Side Broom M13
	14	56511113	1	Side Broom Lift Weldt
	15	56511193	1	Rt Side Broom Assy TSB-FC-2014-021
K2,K6	15a		1	Nut Hex Nyl Loc-Thin Ss 3/8-16 NOTE 1
K2	15b		2	Nut, Hex Nyl Loc SS 1/2-13
K2	15c		1	Scr- Hex SS 1/4-20 X 1.00
K2	15d		2	Wsh-Fit SAE SS 1/2
K2,K5	15e		1	Scr. Pan Phil SS 1/4-20 X .75
K2,K5	15f		2	Nut-Hex Jam SS 1/4-20
K5	15g		1	Pin. Spr. .31 X 1.38
K2	15h		2	Scr- Hex SS 1/2-13 X 1.50
K5,K6	15i		4	Scr-Hex Loc Ss M6-1 X 20mm NOTE 1
K2,K6	15j		1	Wsh, Flt SS .378 X 1.000 X .120 NOTE 1
K2	15k	56051136	1	Spring, Ext
	15l	56305731	1	Right Thumb Nut Weldt
K2	15m		2	Bushing
K2	15n		1	Bushing
	15o	56509046	1	Side Broom Hub Assy
	15p	56509048	1	Guard-Side Broom
K2,K6	15q	56511652	1	Broom Motor Mount Weldment-Rs NOTE 1
K2	15r	56511195	1	Rt Sb Arm Assy (see page 86)
K6	15s	56384565	1	Motor-42vdc-115rpm-0.4hp-Right M8 NOTE 1
	[]	56384521	1	Sidebroom Motor Brush Kit (for 56384565 & 56384564)
K2	15t		1	Bracket-Sb Lift
K2	15u	56510639	1	Cable Assy-.31 X 4.75
	15v	56510707	1	Broom-Side Poly
K6	15w	56384394	1	Jumper-Main/Side Broom NOTE 1

Kit	Item	Ref. No.	Qty	Description
	16	56511194	1	Lt Side Broom Assy TSB-FC-2014-021
K3,K6	16a		1	Nut Hex Nyl Loc-Thin Ss 3/8-16 NOTE 1
K3	16b		2	Nut, Hex Nyl Loc SS 1/2-13
K3	16c		1	Scr- Hex SS 1/4-20 X 1.00
K3	16d		2	Wsh-Fit SAE SS 1/2
K3,K5	16e		1	Scr. Pan Phil SS 1/4-20 X .75
K3,K5	16f		2	Nut-Hex Jam SS 1/4-20
K5	16g		1	Pin. Spr. .31 X 1.38
K3	16h		2	Scr- Hex SS 1/2-13 X 1.50
K5,K6	16i		4	Scr-Hex Loc Ss M6-1 X 20mm NOTE 1
K3,K6	16j		1	Wsh, Flt SS .378 X 1.000 X .120 NOTE 1
K3	16k	56051136	1	Spring, Ext
	16l	56305725	1	Left Thumb Nut Weldt
K3	16m		2	Bushing
K3	16n		1	Bushing
	16o	56509048	1	Guard-Side Broom
K3,K6	16p	56511653	1	Broom Motor Mount Weldment-Ls NOTE 1
K3	16q	56511196	1	Lt Sb Arm Assy (see page 87)
K6	16r	56384564	1	Motor-42vdc-115rpm-0.4hp-Left M9 NOTE 1
	[]	56384521	1	Sidebroom Motor Brush Kit (for 56384565 & 56384564)
K3	16s		1	Bracket-Sb Lift
K3	16t	56510639	1	Cable Assy-.31 X 4.75
	16u	56510680	1	Lt Sb Hub Assy
	16v	56510707	1	Broom-Side Poly
K6	16w	56384394	1	Jumper-Main/Side Broom NOTE 1
	17	56510954	1	Actuator Bracket Weldt
K4	18		4	Nut-Hex Nyl Loc-Thin SS 1/2-13
K4	19		2	Wsh-Fit SAE 5/16

Service Kits

K1	56510736	1	Bearing Kit-Side Broom
K2	56510767	1	Bracket Kit-Right Side Broom
K3	56510769	1	Bracket Kit-Left Side Broom
K4	56510821	1	Hardware Kit-Side Broom System
K5	56510822	2	Hardware Kit-Side Broom Assy
K6	56384449	1	Side Broom Motor Kit NOTE 1

[] = Not Shown

NOTE 1: Machines built before serial number 1000062922 need to order service kit 56384449 if either side broom motor needs replacing and replace both side broom motor assemblies and motor bracket weldments at the same time.

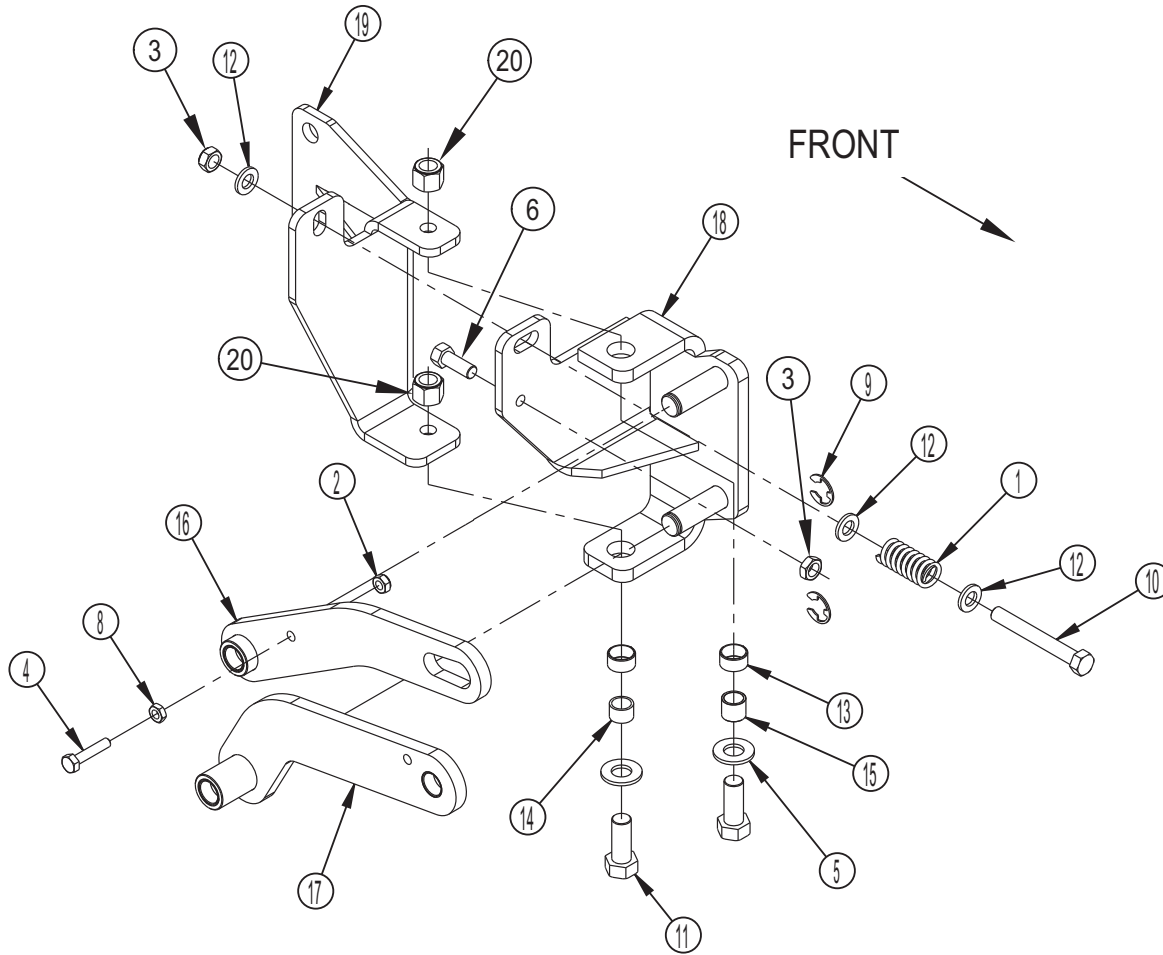
RIGHT SIDE BROOM ARM ASSY

3-2011

86

CS7000

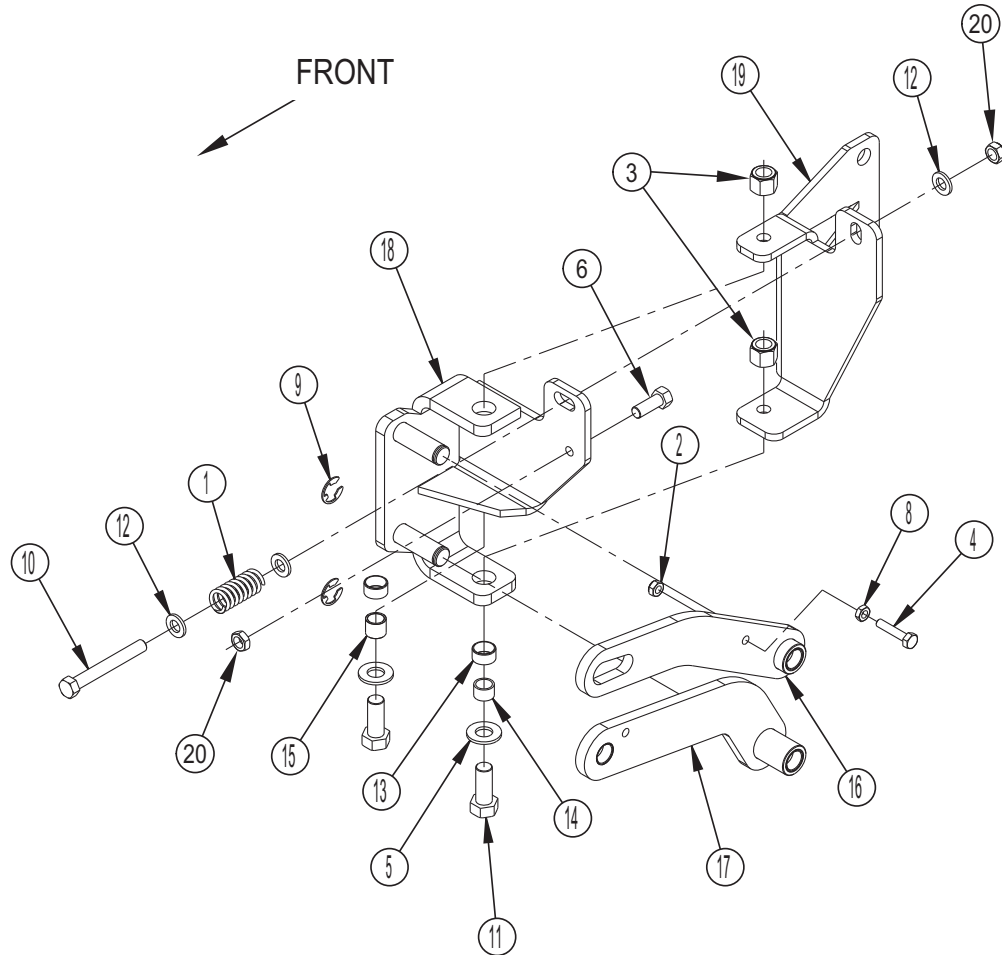
6-2015



Kit	Item	Ref. No.	Qty	Description
		56511195	1	RT SB Arm Assy
	1	56171123	1	Spring, Compression
K1	2		1	Nut, Hex Nyl Loc-Thin SS 1/4-20
	3		2	Nut, Hex Nyl Loc-Thin SS 3/8-16
K1	4		1	Scr- Hex SS 1/4-20 X 1.25
	5		2	Wsh-Fit SAE SS 1/2
	6		1	Scr Hex 3/8-16 X 1.00
	7			Intentionally Omitted
K1	8		1	Nut-Hex Jam SS 1/4-20
K1	9		2	Ring, Ret Ext Type E 0.62 Dia
	10		1	Scr- Hex SS 3/8-16 X 3.00
	11		2	Scr Hex S.S. 1/2-13 X 1.5
	12		3	Wsh-Fit .406x.750x.090
	13		2	Bearing, .719 X .625 X .375
	14		1	Bushing
	15		1	Bushing
K1	16		1	Upr Rt Arm Assy
K1	17		1	Lwr Rt Arm Assy
	18		1	Right Hinge Weldt
	19		1	Right Hinge Weldt
	20		2	Nut Hex Nyl Loc SS 1/2-13

Service Kits

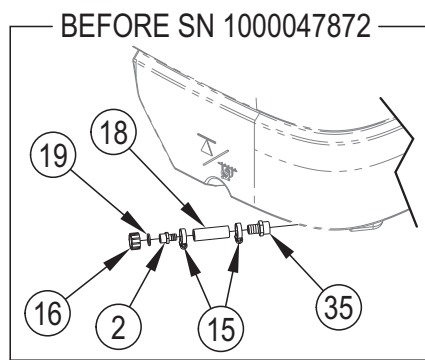
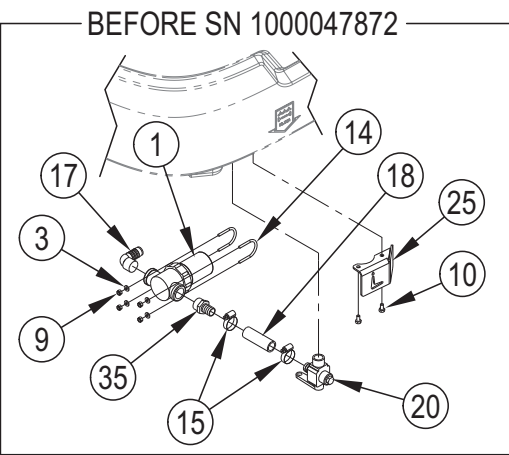
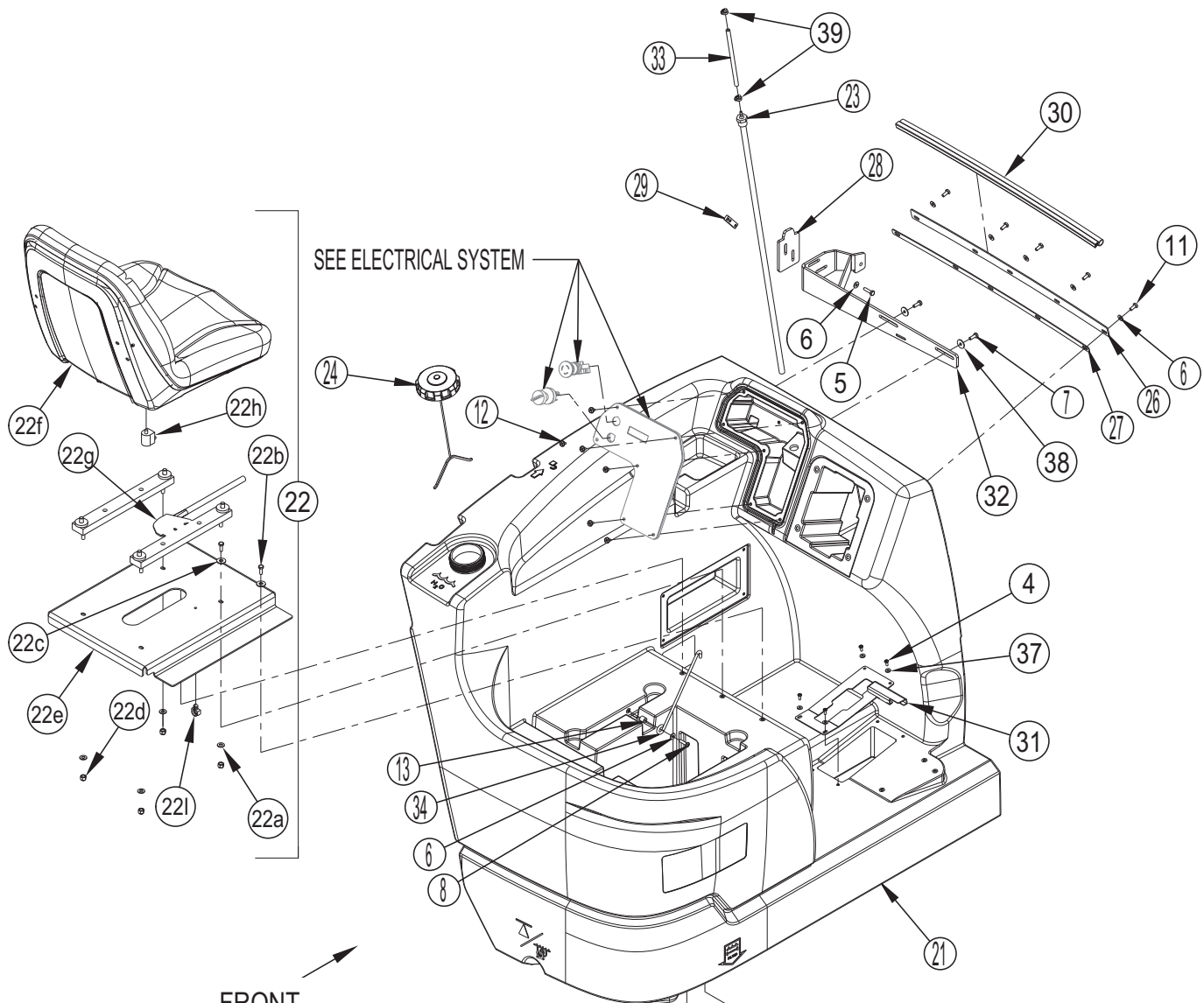
K1	56382854	1	Arm Assy Kit-Rt
----	----------	---	-----------------



Kit	Item	Ref. No.	Qty	Description
		56511196	1	LT SB Arm Assy
	1	56171123	1	Spring, Compression
K1	2		1	Nut, Hex Nyl Loc-Thin SS 1/4-20
	3		2	Nut Hex Nyl Loc SS 1/2-13
K1	4		1	Scr- Hex SS 1/4-20 X 1.25
	5		2	Wsh-Flt SAE SS 1/2
	6		1	Scr Hex 3/8-16 X 1.00
	7			Intentionally Omitted
K1	8		1	Nut-Hex Jam SS 1/4-20
K1	9		2	Ring, Ret Ext Type E 0.62 Dia
	10		1	Scr- Hex SS 3/8-16 X 3.00
	11		2	Scr Hex S.S. 1/2-13 X 1.5
	12		3	Wsh-Flt .406x.750x.090
	13		2	Bearing, .719 X .625 X .375
	14		1	Bushing
	15		1	Bushing
K1	16		1	Upr Lt Arm Assy
K1	17		1	Lwr Lt Arm Assy
	18		1	Left Hinge Weldt
	19		1	Left Hinge Weldt
	20		2	Nut, Hex Nyl Loc-Thin SS 3/8-16

Service Kits

K1	56382855	1	Arm Assy Kit-Lt
----	----------	---	-----------------



3-2011

SOLUTION SYSTEM-1

11-2016

CS7000**89**

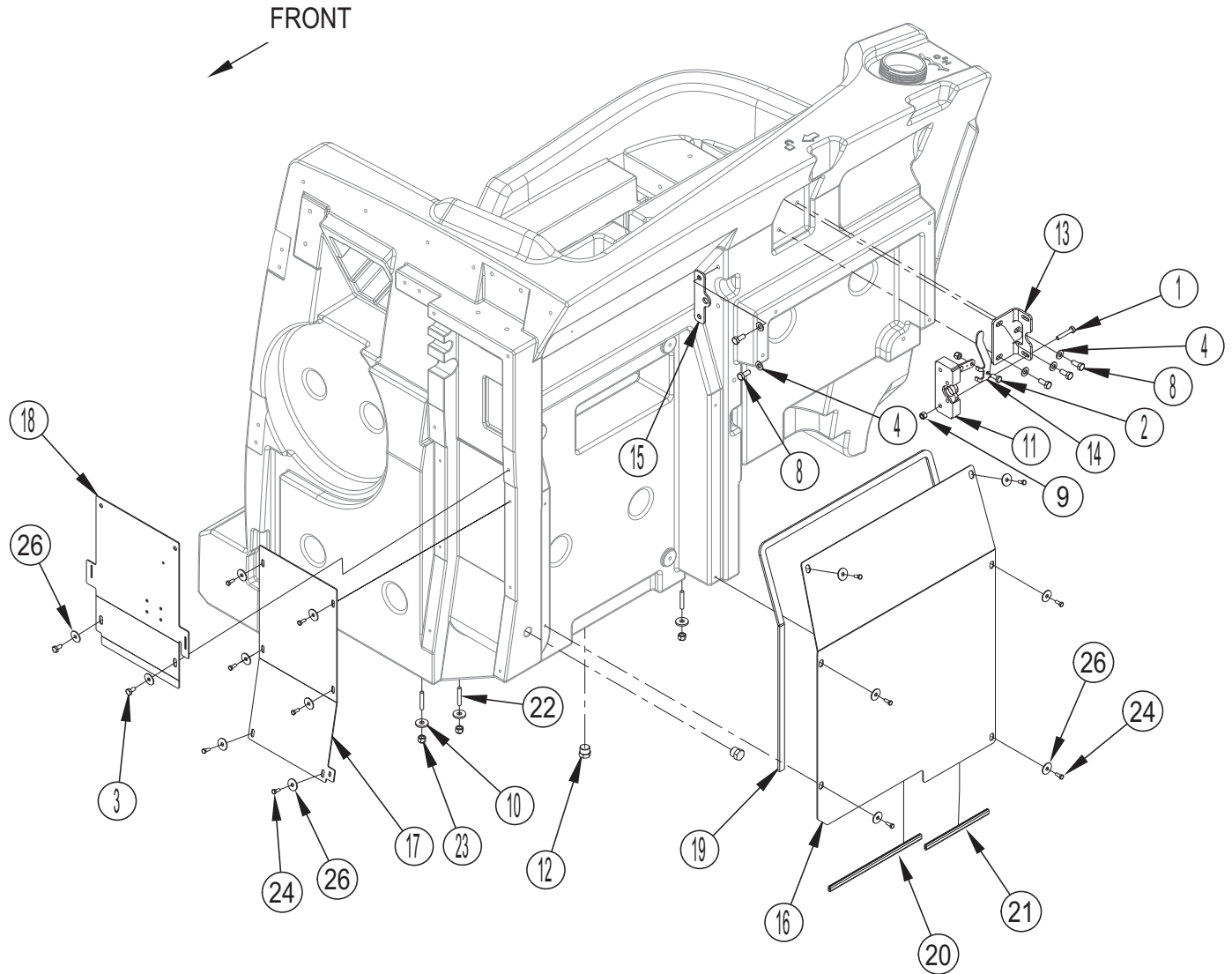
Kit	Item	Ref. No.	Qty	Description
K1	1	56407162	1	Filter
	[]	56384157	1	Gasket-Filter (for 56407162)
K2	2		1	Barb NOTE 1
K1,K4	3		4	Wsh, Flt SAE #10
K4	4		4	Scr Pan Phil SS 10-24 X .50
K4	5		2	Scr, Hex 1/4-20 X 1.00
K4	6		8	Wsh, Flt SAE 1/4
K4	7		2	Scr, Hex 1/4-20 X .75
	8	56002292	1	Scr-Pan Phil 1/4-20 X 1.00
K1	9		4	Nut, Hex Nyl Loc 10-24
K1	10		2	Scr- Hex SS 1/4-20 X .50
K4	11		5	Scr, Hex Hd Loc 1/4-20x.62
K4	12		6	Scr-Truss Phil SS Blk10-24x.50
	13	56046309	1	Spacer, Phenolic
	14	56110318	2	U-Bolt 10-24 X R.69
K1,K2	15		4	Clamp- Hose SAE #10 (QTY OF 2 AFTER SN 1000047871)
K2	16		1	Cap, Pipe Ght Nylon NOTE 1
K1	17	56305545	1	Barb, 90 Elbow 3/4 X 3/4 Npt
K1,K2	18		2	Hose - .75 X 3.00 E00521 NOTE 1
K2	19		1	Washer, Rubber NOTE 1
K1	20		1	Valve-Solution
	21	56383051	1	Tank Kit NOTE 1
	21	56509188	1	Tank-Solution NOTE 2
	22		1	Seat Assembly
	22a	56001939	4	Wsh, Flt SAE 5/16
	22b	56002922	3	Scr Hex Loc 1/4-20 X .62
	22c	56002098	3	Wsh, Flt SAE 1/4
	22d	56002701	4	Nut, Hex Nyl Loc 5/16-18
	22e	56509461	1	Seat Mount Weldt
	22f	56383291	1	Seat NOTE 3 TSB-FC-2015
	22g	7-72-05005	1	Slide, Seat
	22h	7-82-00050	1	Switch S9
	22i	56315382	1	Clip Conduit

Kit	Item	Ref. No.	Qty	Description
	23	56509475	1	Tube Assy-Pressure Sensing
	24	56510442	1	Cap-Extra Vent
K1	25		1	Shield-Valve
	26	56510540	1	Plate-Seal
	27	56510542	1	Plate-Spacer
	28	56511168	1	Plate
	29	56510587	1	Nut Plate
	30	56510590	1	Bulb Seal
	31	56511169	1	Cover Weldt
	32	56511124	1	Cover Hanger Weldt
	33	56510659	1	Tube-Tygon
	34	56601215	1	Prop Rod, Seat
K1,K2	35	56900292	2	Barb, Adapter 3/4 X 3/4npt (QTY OF 1 AFTER SN 1000047871)
K1	36	56383049	1	Hose Assy NOTE 2
	37	56002916	4	Wsh Flt SAE SS 10
K4	38		2	Washer Flat .266x.906x.060
	39#	56384956	2	Clamp-Hose
Service Kits				
K1	56510581		1	Filter Kit-Solution NOTE 1
K1	56383052		1	Filter Kit-Solution NOTE 2
K2	56510593		1	Hose Kit-Solution Drain NOTE 1
K4	56510824		1	Hardware Kit-Solution System

= Revised or new since last update

[] = Not Shown

NOTE 1: Used on machines before serial number 1000047872**NOTE 2:** Used on machines after serial number 1000047871**NOTE 3:** Seat 7-69-00008 has been replaced in production with Seat 56383291. If you need to replace Seat 7-69-00008 please order Seat Kit 56383467.



3-2011

SOLUTION SYSTEM-2

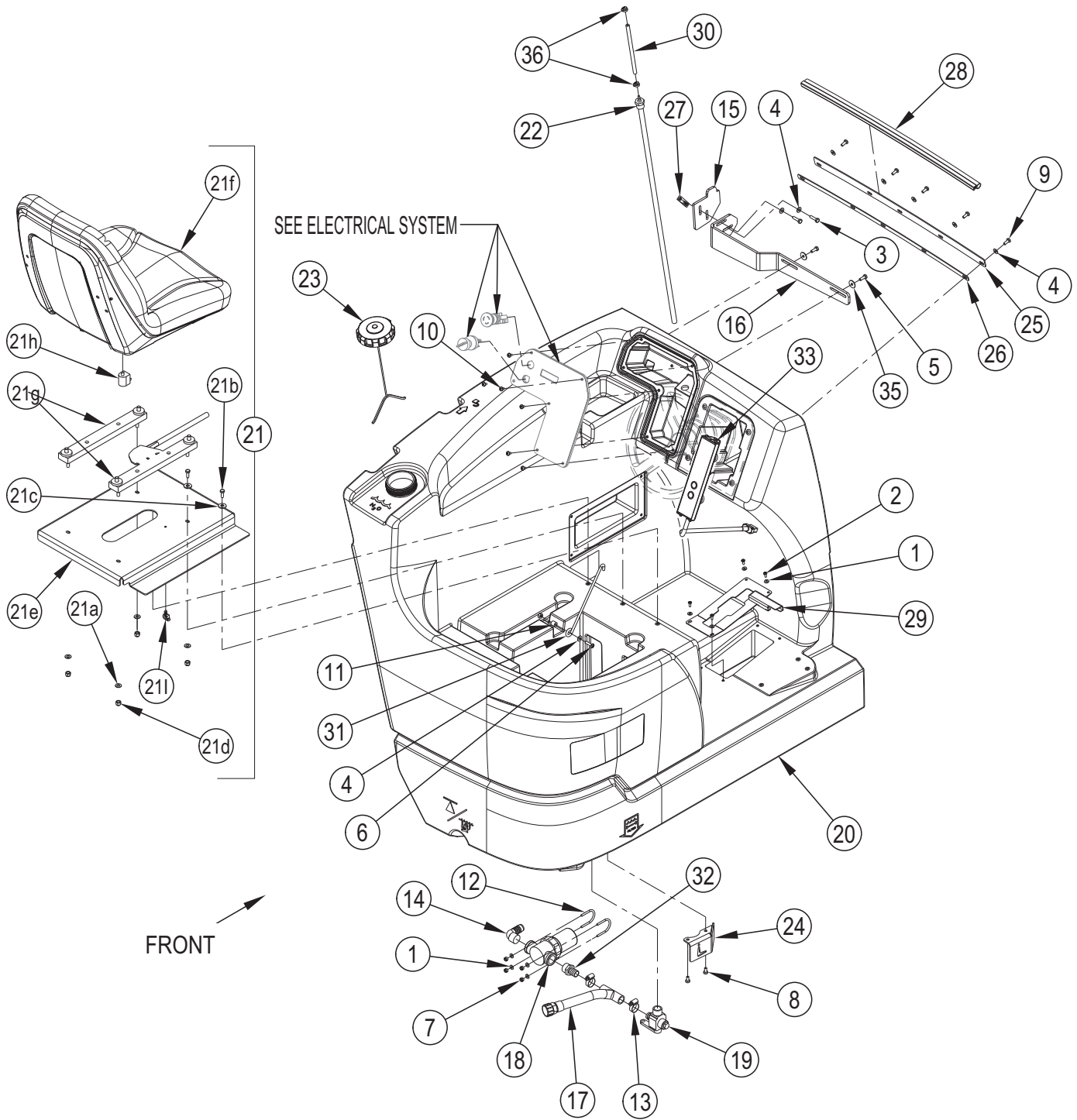
4-2013

CS7000**91**

<u>Kit</u>	<u>Item</u>	<u>Ref. No.</u>	<u>Qty</u>	<u>Description</u>
K3	1		1	Scr, Hex 1/4-20 X 1.50
K3	2		1	Scr, Hex 1/4-20 X .62
K4	3		2	Scr, Hex 1/4-20 X .50
K3,K4	4		5	Wsh, Flt SAE 5/16
K3,K4	8		8	Scr, Hex 5/16-18 X .75
K3	9		2	Nut, Hex Nyl Loc 1/4-20
K4	10		3	Wsh, Flt .344 X .938 X .125
K3	11	56304827	1	Latch, Rh
	12	56305547	2	Plug, 1/2 Hex Pipe
K3	13		1	Bracket-Latch Mount
K3	14		1	Handle-Recovery Latch
	15	56509363	1	Hook-Tether
	16	56510045	1	Cover-Contactor Panel
	17	56510062	1	Panel-Cover
	18	56510065	1	Panel-Fuse Cover
	19	56510661	1	Gasket-Plate
	20	56510951	1	Trim-Edge
	21	56510952	1	Trim-Edge
K4	22		3	Threaded Stud-Stainless
K4	23		3	Nut-Hex Nyl Loc SS 5/16-18
K4	24		12	Scr Hex 10-24 X .50
K4	26		14	Washer Flat .266x.906x.060

Service Kits

K3	56510594	1	Latch Kit-Rec Tank
K4	56510824	1	Hardware Kit-Solution System



3-2011

SOLUTION SYSTEM-1-FUEL CELL

11-2016

CS7000**93**

Kit	Item	Ref. No.	Qty	Description
K1,K4	1		4	Wsh, Flt SAE #10
K1	2		4	Scr Pan Phil SS 10-24 X .50
K4	3		2	Scr-Hex 1/4-20 X 1.00
K4	4		8	Wsh, Flt SAE 1/4
K4	5		2	Scr-Hex 1/4-20 X .75
	6	56002292	1	Scr-Pan Phil 1/4-20 X 1.00
K1	7		4	Nut, Hex Nyl Loc 10-24
K1	8		2	Scr- Hex SS 1/4-20 X .50
K4	9		5	Scr-Hex Hd Loc 1/4-20x.62
K4	10		6	Scr-Truss Phil SS Blk10-24x.50
	11	56046309	1	Spacer, Phenolic
K1	12		2	U-Bolt 10-24 X R.69
K1	13		2	Clamp- Hose SAE #10
K1	14	56305545	1	Barb. 90 Elbow 3/4 X 3/4 Npt
	15	56382937	1	Plate-Mounting
	16	56382940	1	Hanger-Cover
K1	17	56383049	1	Hose Assy
K1	18	56407162	1	Filter
	[]	56384157	1	Gasket-Filter (for 56407162)
K1	19		1	Valve-Solution
	20	56509188	1	Tank-Solution
	21	56509464	1	Seat Assembly
	21a	56001939	4	Wsh, Flt SAE 5/16
	21b	56002922	3	Scr Hex Loc 1/4-20 X .62
	21c	56002098	3	Wsh, Flt SAE 1/4
	21d	56002701	4	Nut, Hex Nyl Loc 5/16-18
	21e	56509461	1	Seat Mount Weldt
	22f	56383291	1	Seat NOTE 1 TSB-FC-2015
	21g	7-72-05005	1	Slide, Seat
	21h	7-82-00050	1	Switch S9
	21i	56507793	1	Clip Conduit
	22	56509475	1	Tube Assy-Pressure Sensing
	23	56510442	1	Cap-Extra Vent
K1	24		1	Shield-Valve
	25	56510540	1	Plate-Seal
	26	56510542	1	Plate-Spacer
	27	56510587	1	Nut Plate
	28	56510590	1	Bulb Seal
	29	56511169	1	Cover Weldt
	30	56510659	1	Tube-Tygon
	31	56601215	1	Prop Rod, Seat
K1	32	56900292	1	Barb, Adapter 3/4 X 3/4npt
	33	56383158	1	Panel-User Interface Fuel Cell
	34	56002916	4	Wsh Flt SAE SS .10
K4	35		2	Washer Flat .266 x .906 x .060
	39#	56384956	2	Clamp-Hose

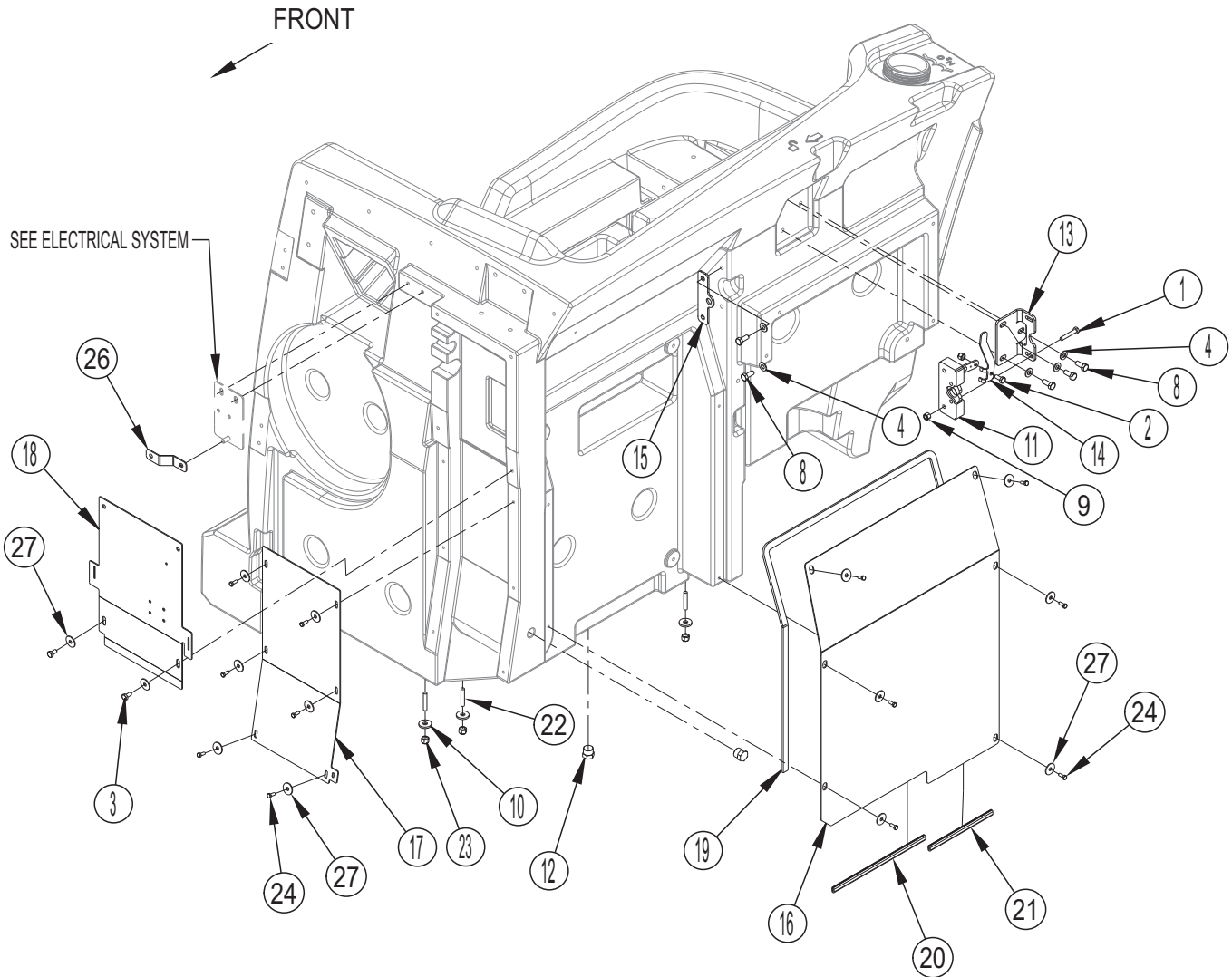
Service Kits

K1	56383052	1	Filter Kit-Solution
K4	56510824	1	Hardware Kit-Solution System

= Revised or new since last update

[] = Not Shown

NOTE 1: Seat 7-69-00008 has been replaced in production with Seat 56383291.
If you need to replace Seat 7-69-00008 please order Seat Kit 56383467.

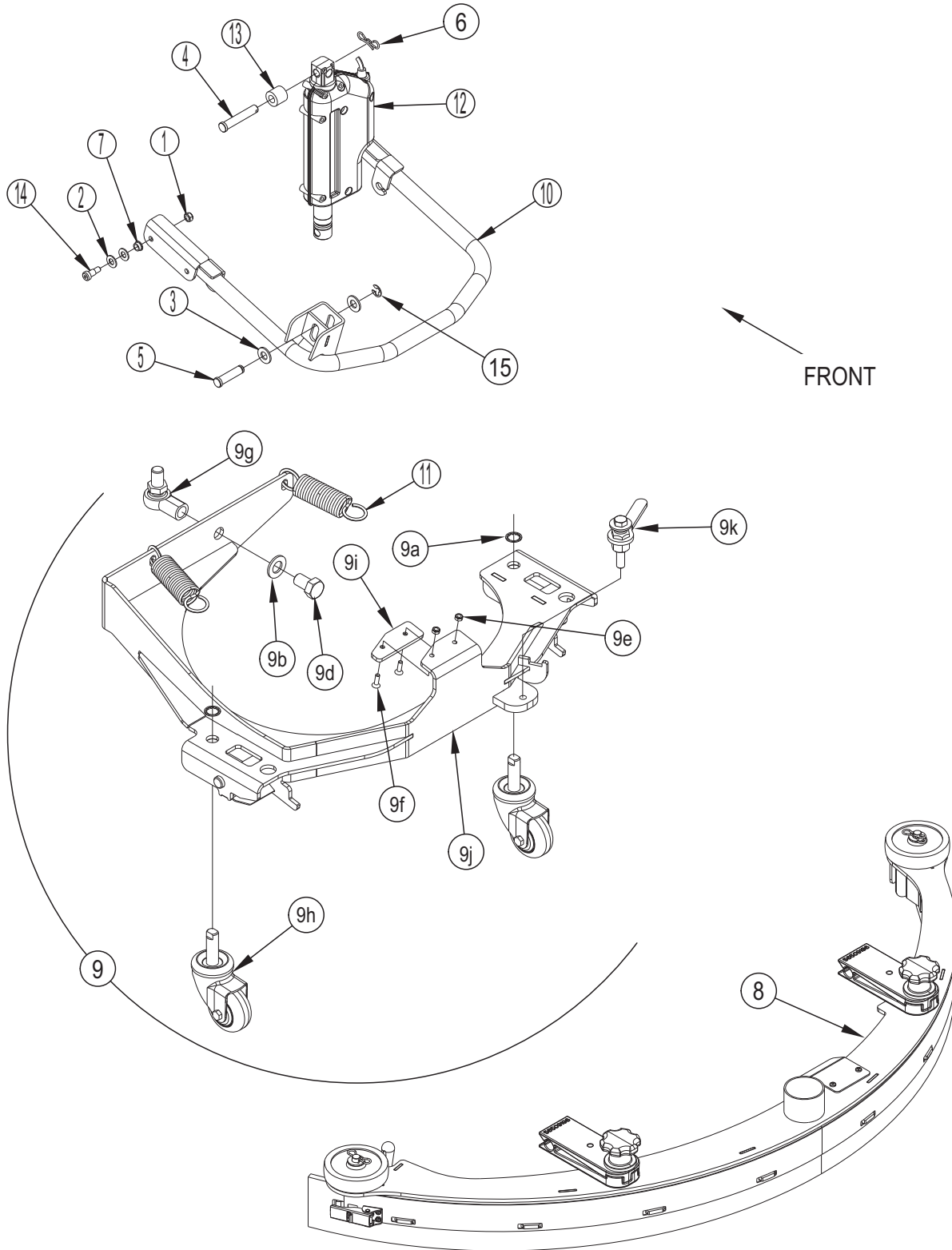


3-2011	SOLUTION SYSTEM-2-FUEL CELL		
4-2013	CS7000		95

Kit	Item	Ref. No.	Qty	Description
K3	1		1	Scr, Hex 1/4-20 X 1.50
K3	2		1	Scr, Hex 1/4-20 X .62
K4	3		2	Scr, Hex 1/4-20 X .50
K3,K4	4		5	Wsh, Flt SAE 5/16
K3,K4	8		5	Scr, Hex 5/16-18 X .75
K3	9		2	Nut, Hex Nyl Loc 1/4-20
K4	10		3	Wsh, Flt .344 X .938 X .125
K3	11	56304827	1	Latch, Rh
	12	56305547	2	Plug, 1/2 Hex Pipe
K3	13		1	Bracket-Latch Mount
K3	14		1	Handle-Recovery Latch
	15	56509363	1	Hook-Tether
	16	56510045	1	Cover-Contactor Panel
	17	56510062	1	Panel-Cover
	18	56510065	1	Panel-Fuse Cover
	19	56510661	1	Gasket-Plate
	20	56510951	1	Trim-Edge
	21	56510952	1	Trim-Edge
K4	22		3	Threaded Stud-Stainless
K4	23		3	Nut-Hex Nyl Loc SS 5/16-18
K4	24		12	Scr Hex 10-24 X .50
	26	56382931	1	Bracket-Horn
K4	27		14	Washer Flat .266 x .906 x .060

Service Kits

K3	56510594	1	Latch Kit-Rec Tank
K4	56510824	1	Hardware Kit-Solution System

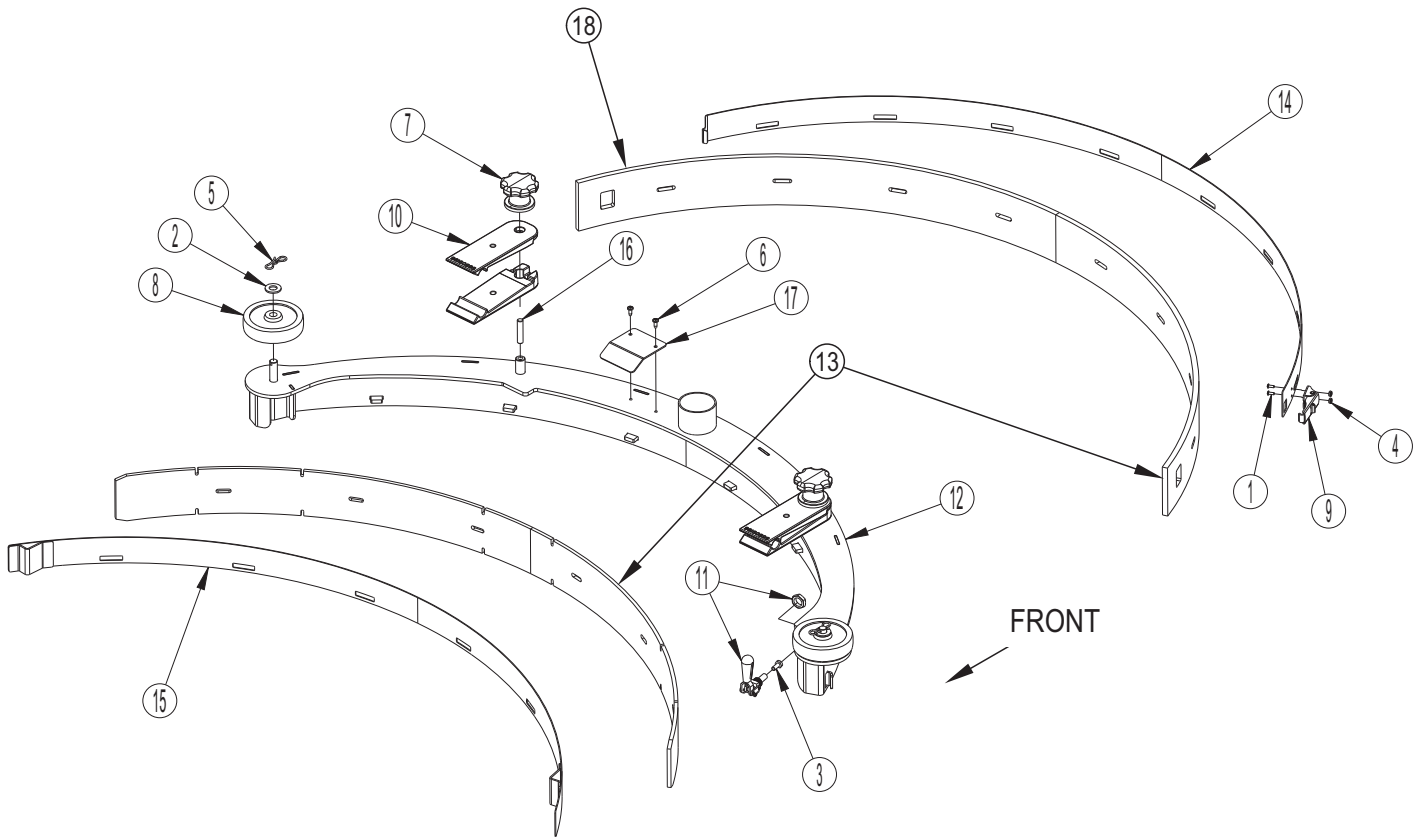


3-2011	SQUEEGEE SYSTEM			
2-2015	CS7000			97

Kit	Item	Ref. No.	Qty	Description
K1	1		2	Nut, Hex Nyl Loc-Thin SS 5/16-18
K1	2		4	Wsh-Flt SAE SS 3/8
K2	3		2	Wsh-Flt SAE SS 1/2
K2	4		1	Pin-Clevis .50 X 2.75
K2	5		1	Pin-Clevis-Grooved-SS .5 x 2.00
K2	6		1	Pin- Bow-Tie Cotter 7/16 - 1/2
K1	7		2	Bearing, Flange
	8	56511216	1	Assembly-Squeegee Tool (includes Red Gum Rubber Blades)
	9		1	Assembly-Squeegee Support
K3	9a		2	Washer, Int. Shake Pr
K5	9b		1	Wsh, Flt SAE 3/4
	9c			Intentionally Omitted
K5	9d		1	Scr, Hex 3/4-16 X 1.25 Grade8
K4	9e		2	Nut, Hex Nyl Loc-Thin SS 1/4-20
K4	9f		2	Scr-Flt Phil SS 1/4-20 X .88
K5	9g		1	Rod End
K3	9h		2	Caster-Squeegee
K4	9i		1	Pad-Squeegee Lift
	9j	56511219	1	Support Weldment
	9k	56510168	1	Handle-Adjustment
	10	56509241	1	Arm-Squeegee Lift TSB-FC-2014-033
	11	56509246	2	Spring-Extension
	12	56509247	1	Actuator-Squeegee Lift M12
K2	13		1	Spacer-.510 X 1 X .88
K1	14		2	3/8 Shoulder Screw 1/2lg 5/16-18thrd
K2	15		1	Retaining Ring-E Style-SS .5

Service Kits

K1	56510766	1	Hardware Kit-Squeegee Lift
K2	56510768	1	Hardware Kit-Squeegee Actuator
K3	56510817	1	Caster Kit-Squeegee
K4	56510828	1	Pad Kit-Squeegee Lift
K5	56510829	1	Rod End-Squeegee

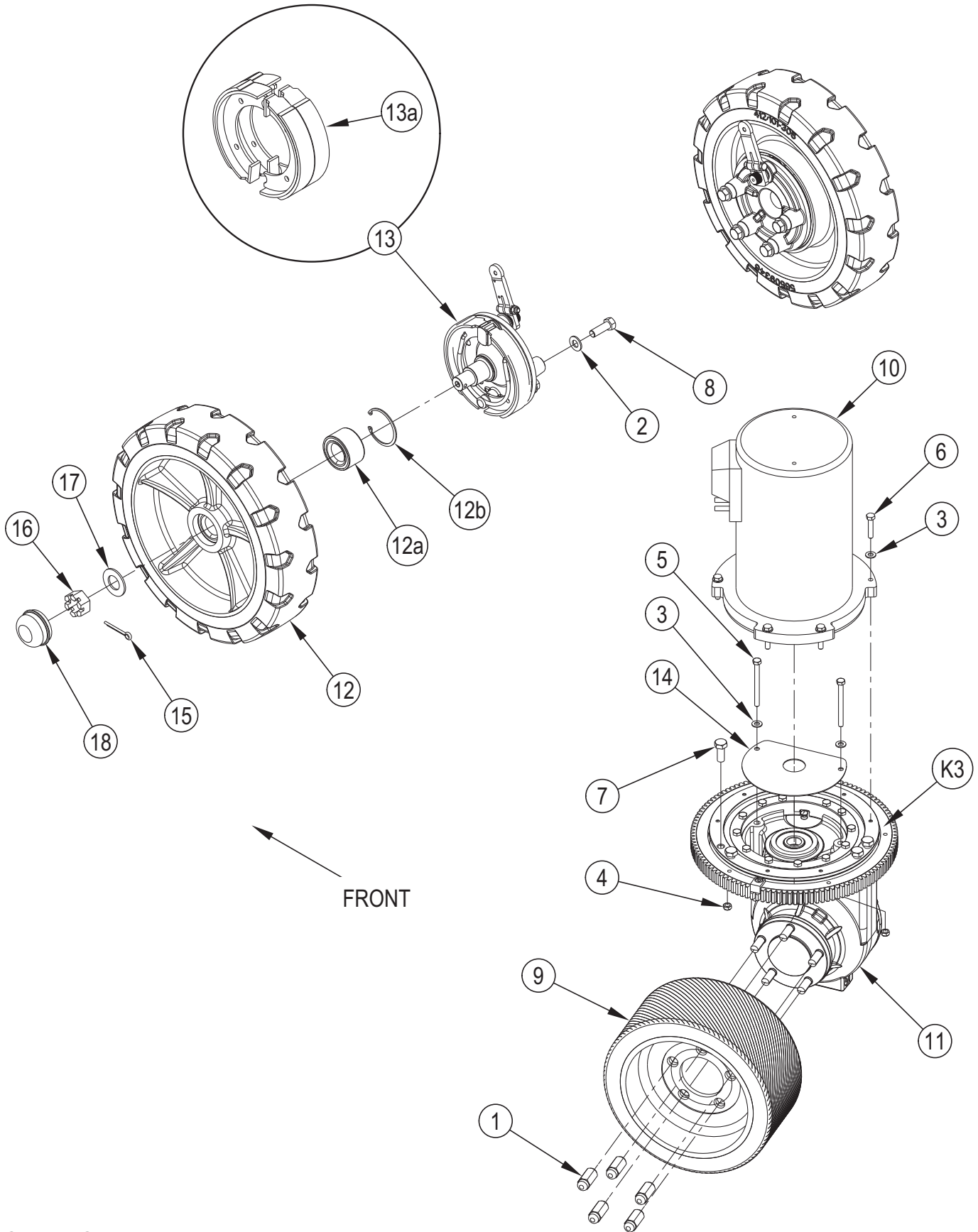


3-2011	SQUEEGEE ASSY			
9-2014	CS7000			99

Kit	Item	Ref. No.	Qty	Description
		56511216	1	Assembly-Squeegee Tool
K2	1		2	Scr-Pan Phil SS 6-32 X .38
K3	2		2	Wsh-Flt SAE SS 1/2
K4	3		1	Scr-Hex Loc SS 1/4-20 X .62
K2	4		2	Nut-Hex Nyl Loc-Thin SS 6-32
K3	5		2	Pin-Bow-Tie Cotter 7/16 - 1/2
K4	6		2	Scr-Pan Phil SS Type F 10-24 X .50
	7	56109704	2	Knob-Squeegee
K3	8	56111639	2	Wheel
K2	9		1	Latch Assembly
K1	10		4	Clip-Squeegee
	11	56509203	1	Clamp-Push Pull
	12		1	Squeegee Weldment NOTE 2
	13	56510371	1	Blade Kit-Squeegee Red Gum NOTE 1
	14	56509219	1	Strap-Squeegee
	15	56509220	1	Strap-Weldment
	16	56510151	2	Stud - 3/8-16x1.75
	17	56510153	1	Plate-Adjustment
	18	56509213	1	Blade-Sq Rear-Red Gum NOTE 3
		56510378	1	Blade-Sq-Rear-Gum NOTE 3
		56510380	1	Blade-Sq-Rear-Pu NOTE 3
Squeegee Blade Kits				
		56510371	1	Blade Kit-Squeegee Red Gum NOTE 1
	*	56510372	1	Blade Kit-Squeegee Gum NOTE 1
	*	56510373	1	Blade Kit-Squeegee PU NOTE 1
Service Kits				
K1		56510830	1	Clip Kit-Squeegee
K2		56510831	1	Latch Kit-Squeegee
K3		56510832	1	Wheel Kit-Squeegee
K4		56510833	1	Hardware Kit-Squeegee Tool

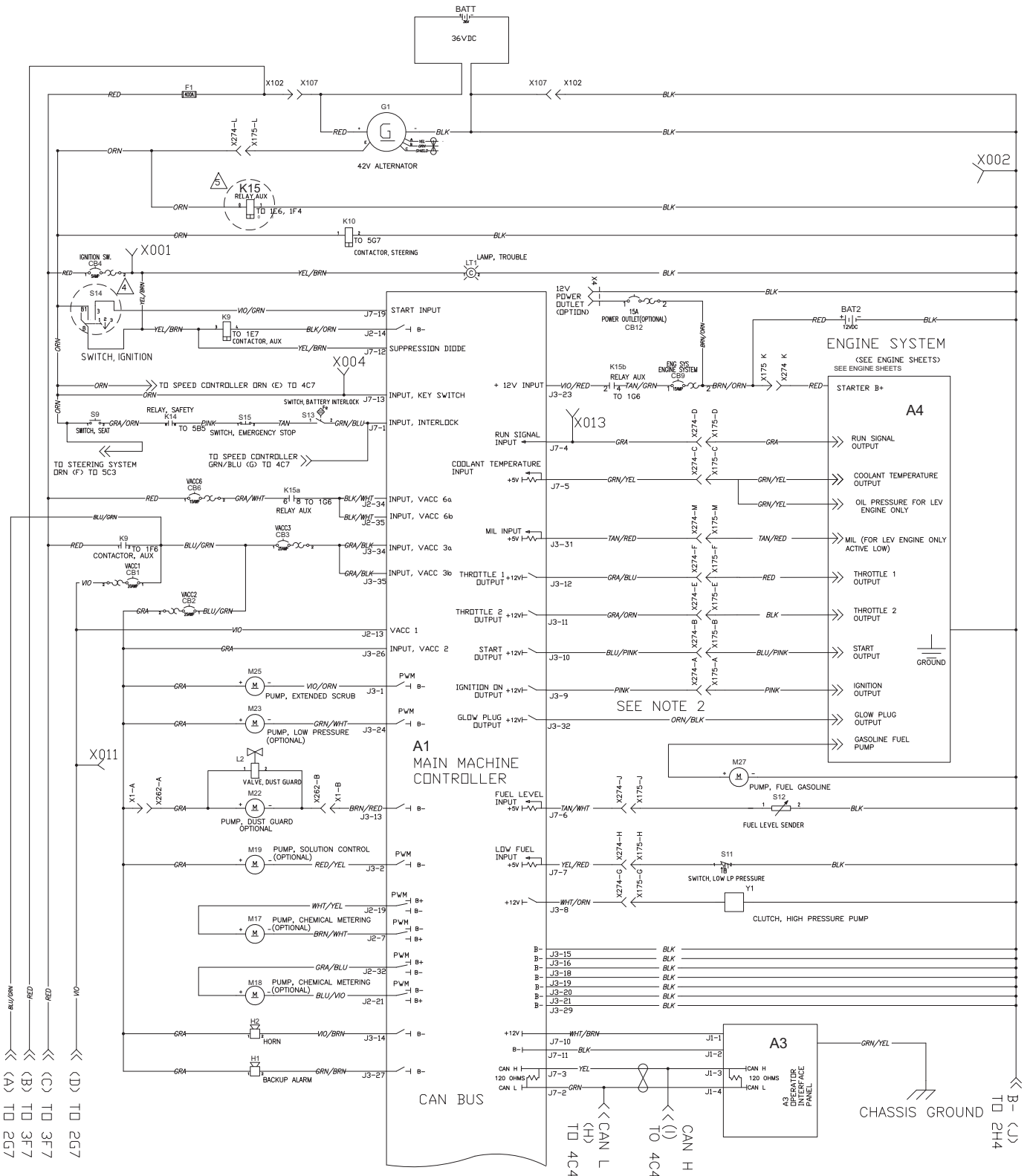
* = Optional, Not Included

NOTE 1: All squeegee blade kits include both front and rear squeegee blades.
NOTE 2: The squeegee weldment is not available for sale separately. If you need to replace it please order the entire squeegee assembly 56511216.
NOTE 3: If you need to replace the rear squeegee blades, they are available for sale separately.



Kit	Item	Ref. No.	Qty	Description
	1	56510738	1	Lug Nut Kit
K2	2		8	Wsh-Fit SAE 1/2
K1	3		8	Wsh, Fit SAE 5/16
K1	4		2	Nut, Hex Nyl Loc-Thin 5/16-18
K1	5		2	Scr, Hex 5/16-18 X 3.50
K1	6		6	Scr, Hex SS M8-1.25 X 40mm
K2	7		6	Scr, Hex Loc M12-1.75 X 30mm
K2	8		8	Scr, Hex Loc 1/2-20 X 1.50 Grade 8
	9	56509157	1	Wheel-Drive 310x140 (Std)
		56383293	1	Wheel-Drive 310x140 (Optional)
K1	10		1	Motor-Traction M24
	[]	56510852	1	Sensor-Speed (for 56510737)
	[]	56510853	1	Sensor-Thermal (for 56510737)
	11	56509195	1	Gearbox-Traction Drive
	12	56383402	2	Wheel-Mold-On 16.2 X 4 TSB-FC-2013-124
	12a	56509532	1	Bearing-Wheel (for 56383402)
	12b	56509533	1	Ring-Snap (for 56383402)
	*	56383550	2	Wheel-Moldon-PU 16.2-4
	13	56509664	2	Brake & Spindle Assembly
	13a	56510762	1	Brake Shoe Kit (for 56509664 contains 4 brake shoes)
K1	14		1	Shield-Splash
K2	15		2	Pin, Cotter
K2	16		2	1" X 14 Slotted Nut
K2	17		2	Washer, Spacer
	18	8-11-00030	2	Grease Cap
Service Kits				
K1	56510737	1	Motor Kit-Drive	
K2	56510826	1	Hardware kit-Wheel System	
K3	56510825	1	Ring/Pinion Gear Kit-Steering (for 56509195)	

[] = Not Shown
 * = Optional, Not Included



3-2011

LADDER DIAGRAM-1

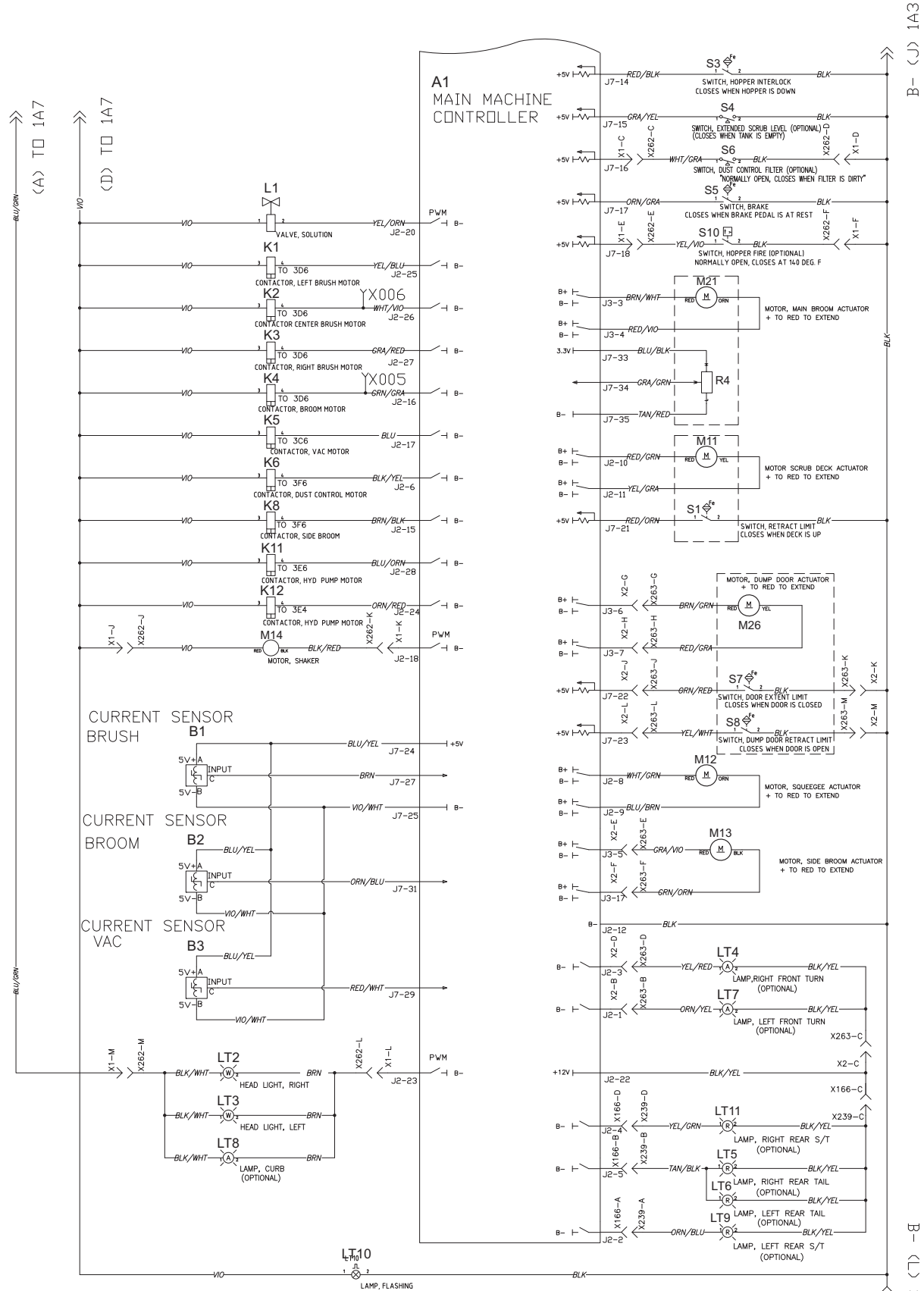
9-2014

CS7000**103**

Kit	Item	Ref. No.	Qty	Description
	A1	56383061	1	Control Board Kit
	A3	56509476	1	User Interface Panel Assy TSB-FC-2014-019
	A4	NA		Engine System
	BATT	56510781	1	Battery Kit-Elect Sys LPG / Diesel NOTE 1
		NA	1	Battery 36V NOTE 2
	BAT2	56380449	1	Battery-12V 45ah Wet NOTE 1
	CB1	56413822	1	Circuit Breaker-20 Amp (VACC1)
	CB2	56509623	1	Circuit Breaker-25 Amp (VACC2)
	CB3	56509623	1	Circuit Breaker-25 Amp (VACC3)
	CB4	56315255	1	Circuit Breaker-5 Amp (Ignition)
	CB6	56413407	1	Circuit Breaker-15 Amp (VACC6)
	CB9	56413407	1	Circuit Breaker-15 Amp (Engine System)
	CB12	56413407	1	Circuit Breaker-15 Amp (Accessory Socket / Optional)
	F1	56303297	1	Fuse, 400 Amp
	G1	56509345	1	Alternator Assy
	H1	56409232	1	Backup Alarm
	H2	56482365	1	Horn 36V
	K9	56395450	1	Contactactor 36V (AUX)
	K10	56395450	1	Contactactor 36V (Steering)
	K14	40892A	1	Relay-Dpdt 36VDC (Safety)
	K15	40892A	1	Relay-Dpdt 36VDC (AUX)
	L2	56397215	1	Solenoid Valve (Dust Guard / Optional)
	LT1	56305627	1	Trouble Lamp
	M17	56110742	1	Pump-Chemical Metering (EcoFlex / Optional)
	M18	56110742	1	Pump-Chemical Metering (EcoFlex / Optional)
	M19	56413810	1	Pump-36V (EcoFlex / Optional)
	M22	56510574	1	Pump-36V (Dust Guard / Optional)
	M23	56510451	1	Pump-36V (Spray Wand Kit / Optional)
	M25	56413810	1	Pump-36V (Extended Scrub / Optional)
	S9	7-82-00050	1	Switch-Seat
	S11	56418381	1	Switch-N.C. Pressure (LPG)
	S12	56510613	1	Fuel Level Sensor
	S13	56305053	1	Switch-Battery Interlock
	S14	56111109	1	Key Switch Assembly
	S15	56407130	1	Disconnect-Emergency
	Y1	NA	1	Clutch-High Pressure Pump (part of High Pressure Pump Assy 56509812 / Optional)

NOTE 1: These items are only used on LPG and diesel models.

NOTE 2: Only used on battery models.



B- (J) 1A3
B- (L) 3F4

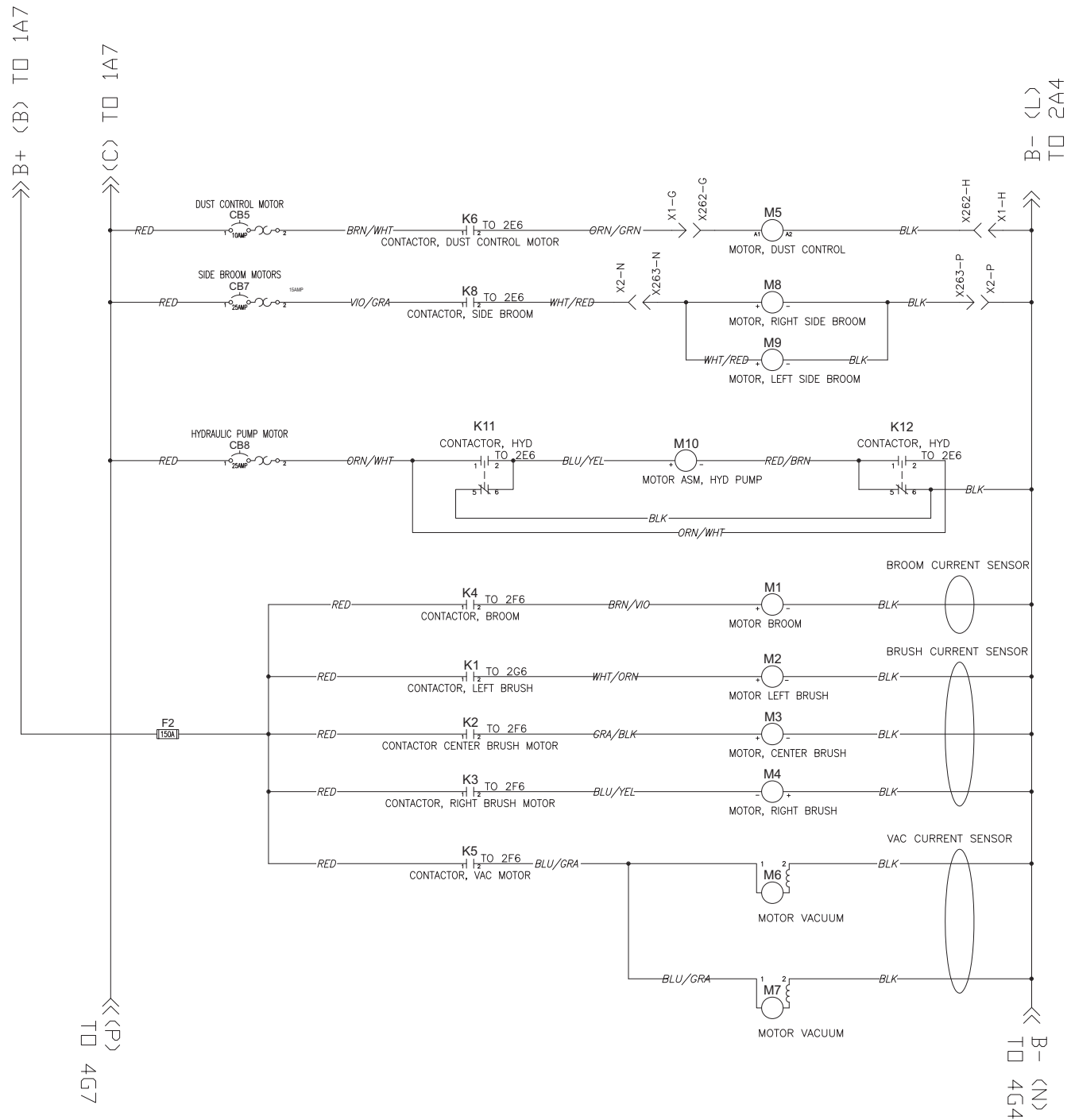
3-2011

LADDER DIAGRAM-2

8-2016

CS7000**105**

Kit	Item	Ref. No.	Qty	Description
	A1	56511565	1	Control Board Kit
	B1	56510042	1	Current Sensor (Brush)
	B2	56510042	1	Current Sensor (Broom)
	B3	56510042	1	Current Sensor (Vac)
	K1	56395450	1	Contactor 36V (Left Brush)
	K2	56395450	1	Contactor 36V (Center Brush)
	K3	56395450	1	Contactor 36V (Right Brush)
	K4	56395450	1	Contactor 36V (Main Broom)
	K5	56395450	1	Contactor 36V (Vac Motors)
	K6	56395450	1	Contactor 36V (Dust Control)
	K8	56395450	1	Contactor 36V (Side Brooms)
	K11	56397250	1	Contactor 36V (Hydraulic Pump)
	K12	56397250	1	Contactor 36V (Hydraulic Pump)
	L1	56303275	1	Solenoid Valve Assy
	LT2	56383035	1	Light Assy (Right)
	LT3	56383035	1	Light Assy (Left)
	LT4	56509559	1	Light-Turn Signal (Right Front / Optional)
	LT5	56510280	1	Right Tail Light (Optional)
	LT6	56510280	1	Left Tail Light (Optional)
	LT7	56509559	1	Light-Turn Signal (Left Front / Optional)
	LT8		1	Curb Light (Optional)
	LT9	56509918	1	Light Red (Left Rear Turn Signal / Optional)
	LT10	56305223	1	Beacon (Optional)
	LT11	56509918	1	Light Red (Right Rear Turn Signal / Optional)
	M11	56509439	1	Actuator-Scrub Deck
	M12	56509247	1	Actuator-Squeegee Lift
	M13	56413111	1	Actuator-Side Broom
	M14	56511367	1	Shaker Motor Kit
	M21	56509438	1	Actuator-Broom Lift
	M26	56509414	1	Actuator-Dump Door
	R4	NA	1	Part of Main Broom Actuator 56509438
	S1	56305053	1	Sensor-Proximity (Scrub Deck Retract Limit) TSB-FC-2014-037
	S3	56305053	1	Sensor-Proximity (Hopper Interlock)
	S4	56509932	1	Switch-Extended Scrub Level (Optional)
	S5	56305053	1	Sensor-Proximity (Brake)
	S6	56509761	1	Switch-Vacuum (Plugged Filter Kit / Optional)
	S7	56305053	1	Sensor-Proximity (Hopper Dump Door Extent)
	S8	56305053	1	Sensor-Proximity (Hopper Dump Door Retract)
	S10	56418405	1	Switch-Temperature (Hopper Temp Sensor Kit)



3-2011

LADDER DIAGRAM-3

8-2016

CS7000**107**

Kit	Item	Ref. No.	Qty	Description
	CB5	56507644	1	Circuit Breaker-10 Amp (Dust Control)
	CB7	56413407	1	Circuit Breaker-15 Amp (Side Broom)
	CB8	56509623	1	Circuit Breaker-25 Amp (Hydraulic Pump)
	F2	56412089	1	Fuse-150 Amp
	K1	56395450	1	Contactor 36V (Left Brush)
	K2	56395450	1	Contactor 36V (Center Brush)
	K3	56395450	1	Contactor 36V (Right Brush)
	K4	56395450	1	Contactor 36V (Main Broom)
	K5	56395450	1	Contactor 36V (Vac Motors)
	K6	56395450	1	Contactor 36V (Dust Control)
	K8	56395450	1	Contactor 36V (Side Brooms)
	K11	56397250	1	Contactor 36V (Hydraulic Pump)
	K12	56397250	1	Contactor 36V (Hydraulic Pump)
	M1	56510740	1	Motor Kit-Broom
	[]	56384599	1	Motor Brush Kit (for 56510740)
	M2	56510291	1	Motor-Left Brush
	[]	56510763	1	Brush Kit (for 56510291)
	M3	56510291	1	Motor-Center Brush
	[]	56510763	1	Brush Kit (for 56510291)
	M4	56510292	1	Motor-Right Brush
	[]	56510763	1	Brush Kit (for 56510292)
	M5	56509561	1	Motor-Dust Control
	M6	56510209	1	Motor-Vac-36vdc TSB-FC-2014-018
	M7	56510209	1	Motor-Vac-36vdc TSB-FC-2014-018
	M8	56384565	1	Motor-42vdc-115rpm-0.4hp-Right
	[]	56384521	1	Sidebroom Motor Brush Kit (for 56384565 & 56384564)
	M9	56384564	1	Motor-42vdc-115rpm-0.4hp-Left
	[]	56384521	1	Sidebroom Motor Brush Kit (for 56384565 & 56384564)
	M10	56509373	1	Motor-Hydraulic Pump

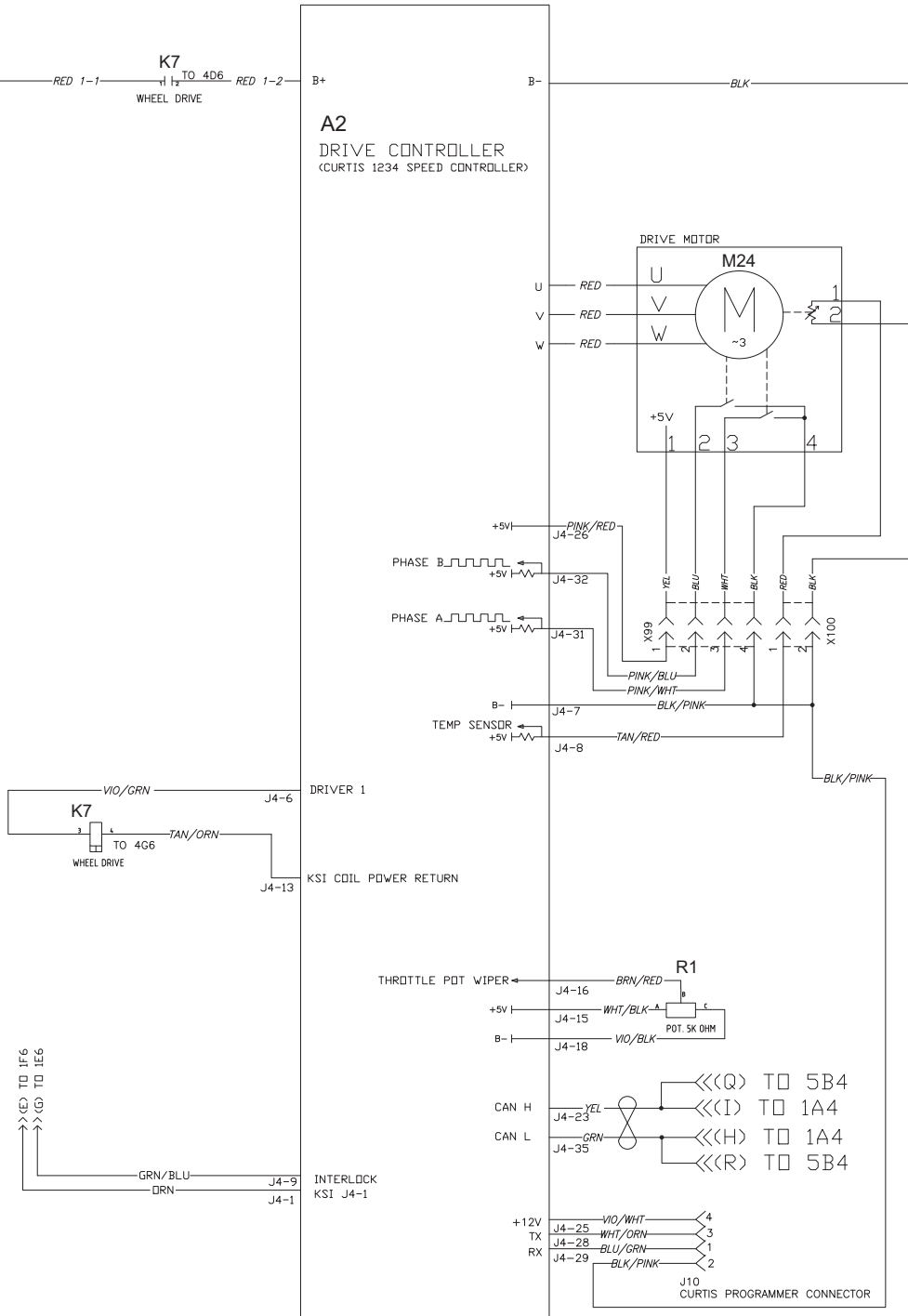
[] = Not Shown

895 DT <M>>> (P) TO 3C7

895 DT <M>>>

B- <N> TO 3C4

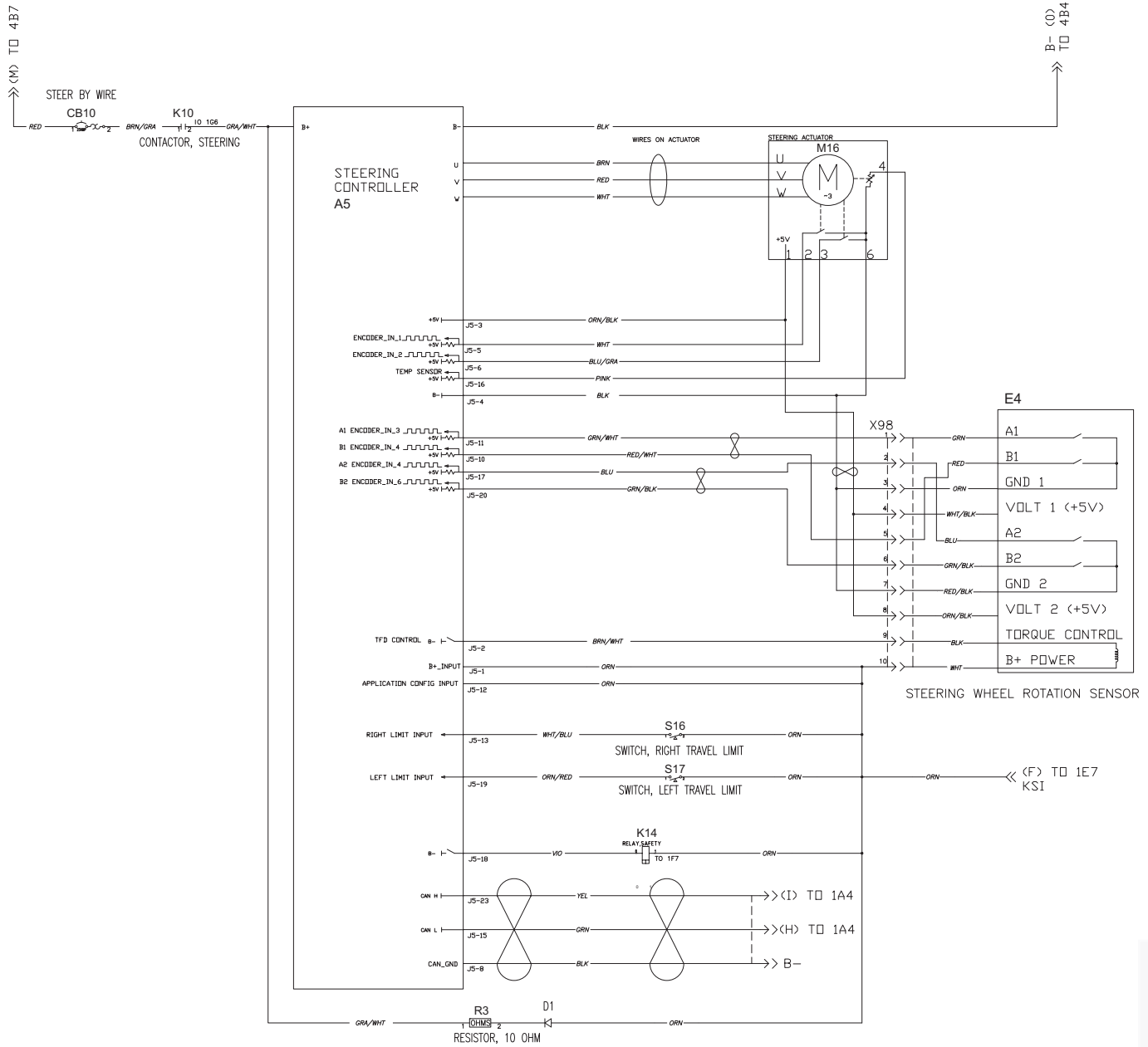
B- <D> TO 5H3



3-2011	LADDER DIAGRAM-4		
8-2016	CS7000		109

<u>Kit</u>	<u>Item</u>	<u>Ref. No.</u>	<u>Qty</u>	<u>Description</u>
	A2	56509172	1	Controller-Motor Speed
	K7	56303198	1	Contactora 36V Type 4 (Wheel Drive)
	M24	56509168	1	Motor-Traction
	R1	NA	1	Pot-5K Ohm (part of Foot Pedal Assy 56601052)

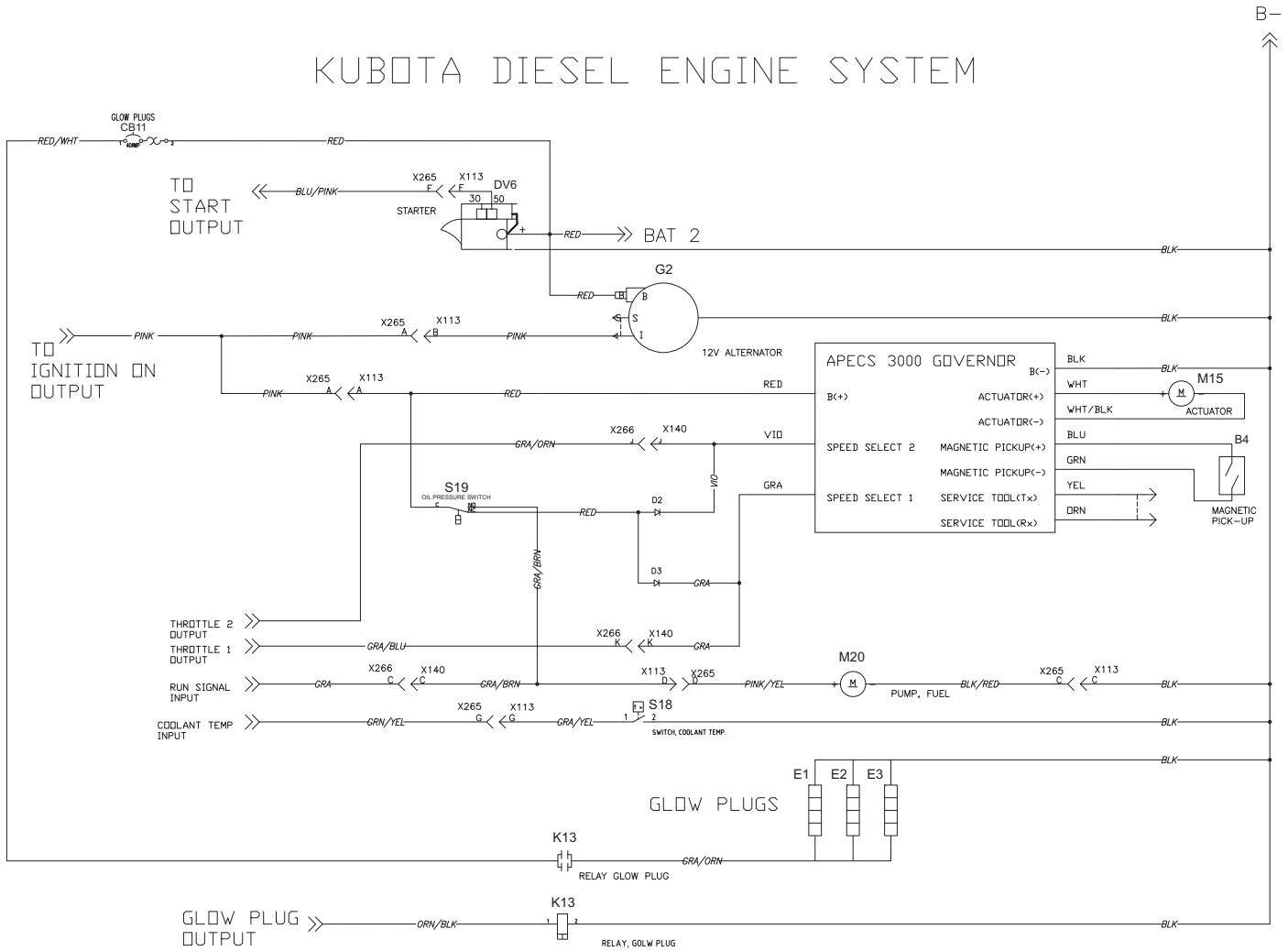
[] = Not Shown



3-2011	LADDER DIAGRAM-5		
8-2016	CS7000		111

<u>Kit</u>	<u>Item</u>	<u>Ref. No.</u>	<u>Qty</u>	<u>Description</u>
	A5	56510729	1	Controller-Steering
	CB10	56509623	1	Circuit Breaker-25 Amp (Steering)
	E4	56510408	1	Torque Feedback Device
	K10	56395450	1	Contactor 36V (Steering)
	K14	40892A	1	Relay-Dpdt 36VDC (Safety)
	M16	56380406	1	Actuator-Steering 36V
	R3	NA	1	Resistor-10 Ohm
	S16	56305053	1	Sensor-Proximity (Right Travel Limit)
	S17	56305053	1	Sensor-Proximity (Left Travel Limit)

KUBOTA DIESEL ENGINE SYSTEM

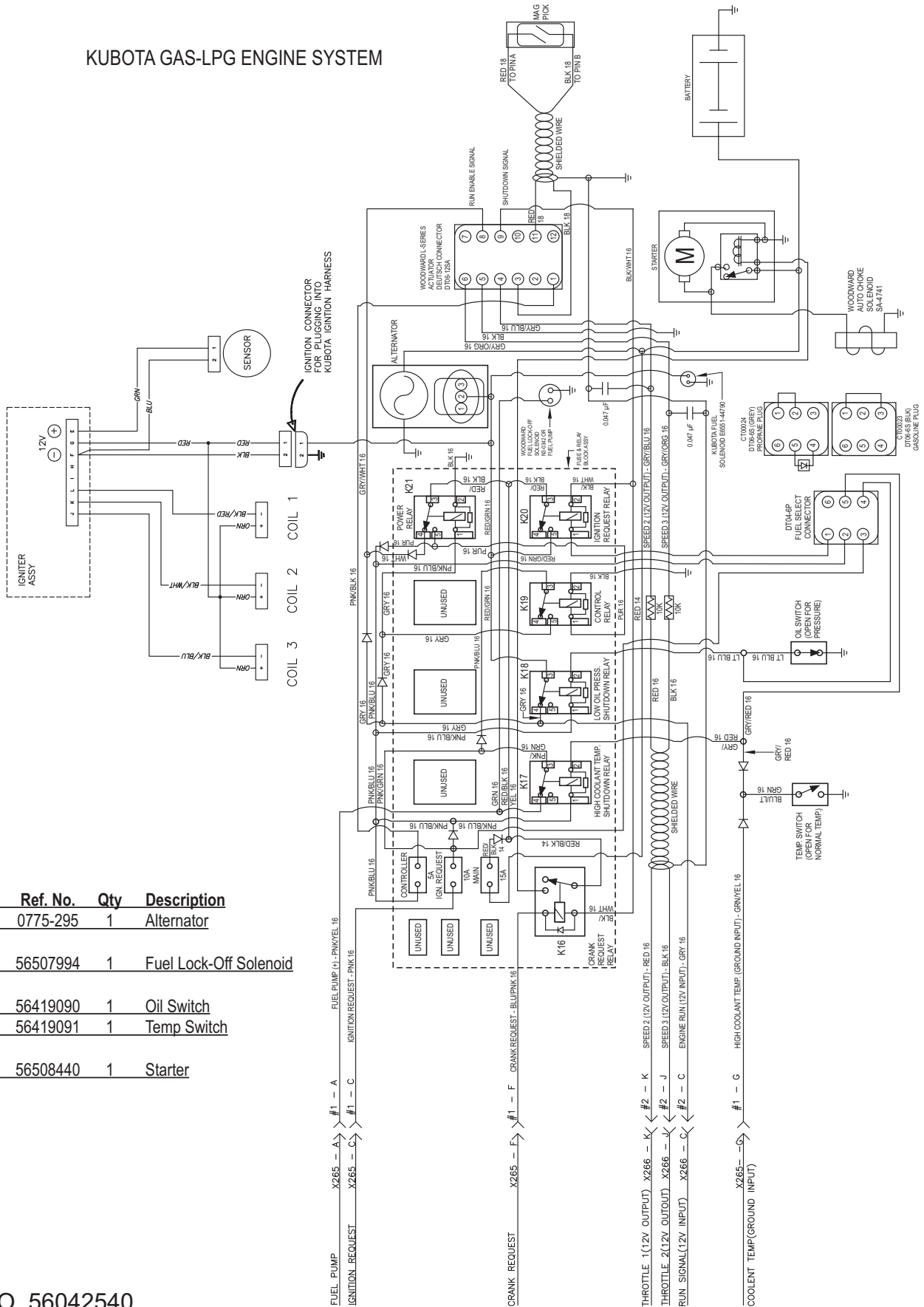


3-2011

LADDER DIAGRAM-KUBOTA DIESEL ENGINE SYSTEM**CS7000****113**

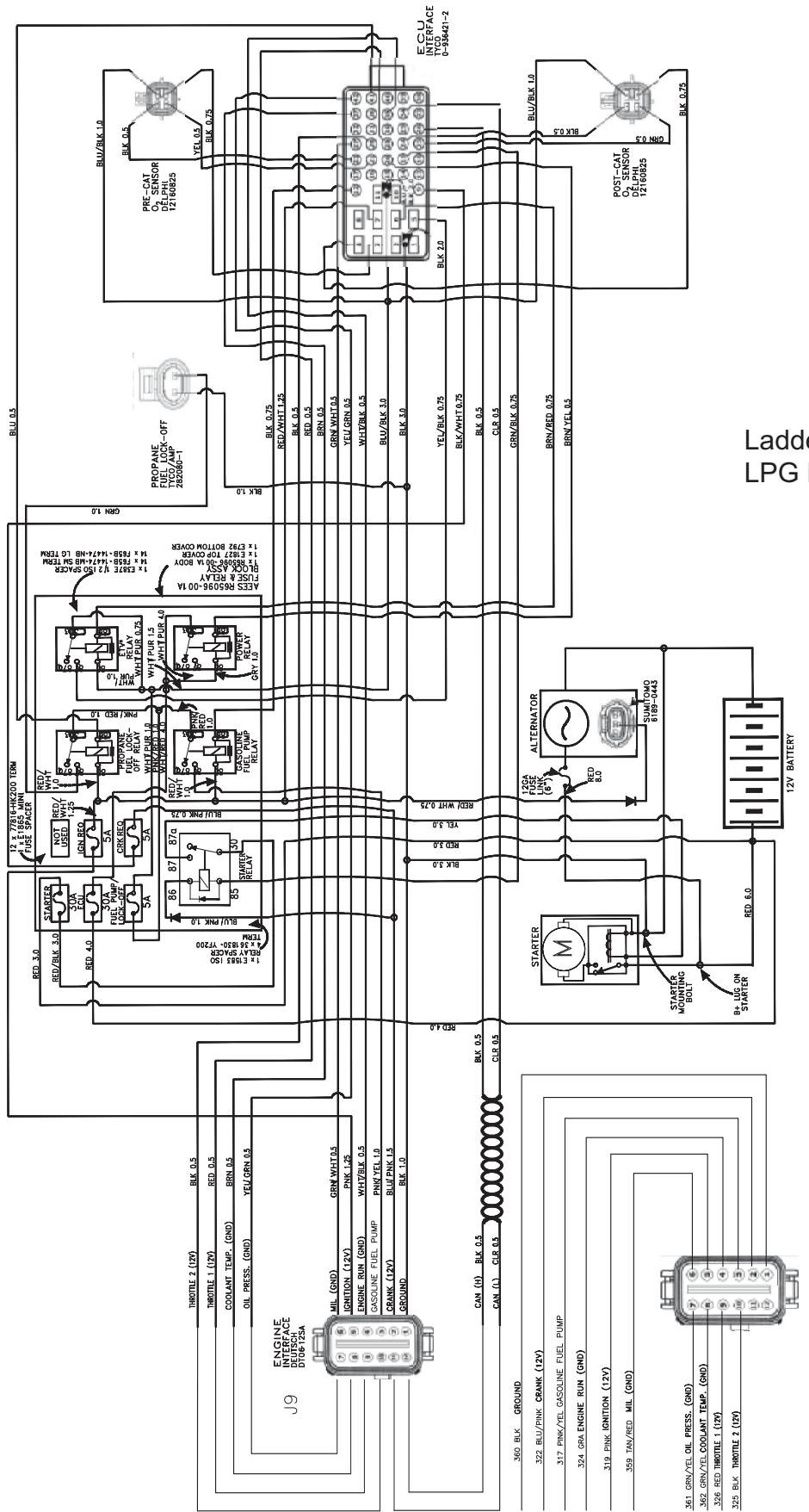
Kit	Item	Ref. No.	Qty	Description
	B4	NA	1	Magnetic Pick-Up (part of Apecs 3000 Governor 56510350)
	CB11	56509624	1	Circuit Breaker-40A (Glow Plugs)
	DV6	56419089	1	Starter
	E1	NA	1	Glow Plug
	E2	NA	1	Glow Plug
	E3	NA	1	Glow Plug
	G2	56510385	1	Alternator
	K13	56110423	1	Relay-SPST 12V 75A
		56510350	1	Apecs 3000 Governor
	M15	NA	1	Actuator (part of Apecs 3000 Governor 56510350)
	M20	56508355	1	Fuel Pump
	S18	56419091	1	Switch-Coolant Temp
	S19	56508444	1	Switch-Oil Pressure

KUBOTA GAS-LPG ENGINE SYSTEM



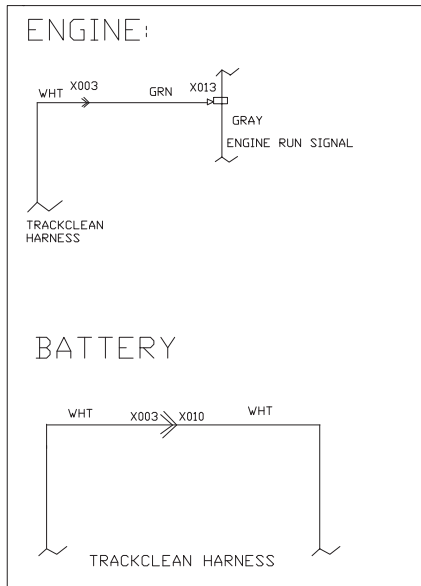
Kit Item Ref. No. Qty Description

	0775-295	1	Alternator
	56507994	1	Fuel Lock-Off Solenoid
	56419090	1	Oil Switch
	56419091	1	Temp Switch
	56508440	1	Starter

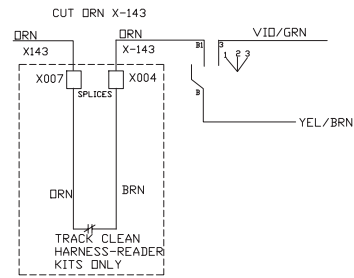


Ladder Diagram-Kubota LPG LEV Engine System

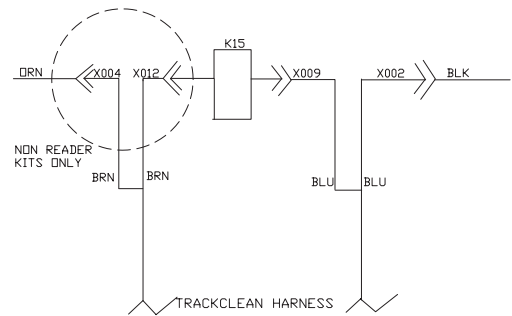
SCHEMATIC DIAGRAM



KEY SWITCH DETAIL



K15 RELAY DETAIL



3-2011

OPTIONAL KITS & ACCESSORIES

11-2016

CS7000**117**

Ref. No.	Qty	Description
		Optional Kits NOTE 3
* 56509926	1	Extended Scrub Kit
* 56509988	1	Deluxe Seat Kit
* 56509975	1	Overhead Guard Kit-79"
* 56510399	1	Overhead Guard Kit-82"
* 56383455	1	Seat Belt Kit
* 56509556	1	Brake Light/Turn Signal Kit
*# 56511757	1	Rear Corner Roller Kit
* 56509914	1	Front Corner Roller Kit
* 56510326	1	Super Duty Kit
* 56510605	1	Fire Extinguisher Kit
* 56305519	1	Back-Up Alarm Kit
* 56509994	1	Floor Mat Kit
* 56510683	1	Ecoflex Kit-Advance
* 56509811	1	High Pressure Pump Kit-Diesel
* 56509810	1	High Pressure Pump Kit-Lpg
* 56509729	1	Plugged Filter Switch Kit
* 56509728	1	Hopper Temperature Sensor Kit
* 56383044	1	Work Light Kit
* 56510407	1	Overhead Guard Beacon Kit
* 56510444	1	Overhead Guard Canopy Kit
* 56510414	1	Warning Beacon Kit
* 56510424	1	Solution Fill Shut-Off Kit
* 56510443	1	Vac Wand Kit
* 56510368	1	Wash Hose Kit
* 56510015	1	Water Heater Option-LPG
* 56510464	1	Water Heater Option-Diesel
* 7-03-04250	1	Arm Rest Option (R/H Only)
*# 56511741	1	Squeegee Guard Kit
* 56510450	1	Front Bumper Kit
* 56601410	1	Drain Hose Extension
* 56111280	1	Recovery Tank Clean Out Kit
* 56510465	1	Accessory Socket Kit
* 56509481	1	Dust Guard Kit

OPTIONAL KITS & ACCESSORIES

3-2011

118

CS7000

11-2016

Squeegee Blade Kits (See Squeegee Blade Selector Guide)

56510371	1	Blade kit-Squeegee Red Gum NOTE 1
* 56510372	1	Blade kit-Squeegee Gum NOTE 1
* 56510373	1	Blade Kit-Squeegee PU NOTE 1

Deck Blade Kits

56510374	1	Blade Kit-Deck Red Gum NOTE 2
* 56510375	1	Blade Kit-Deck Gum NOTE 2
* 56510376	1	Blade Kit-Deck PU NOTE 2

Options

56383293	1	Wheel-Drive 310x140 NOTE 4
----------	---	-----------------------------------

Accessories

* 56044590	1	Literature Pack
------------	---	-----------------

Scrub Brushes (See Brush Selector Guide)

* 56505780	3	Short Trim Pad Holder
* 56505195	3	Pad Retainer for 56505750
* 56505785	3	ProLite
* 56505784	3	Prolene
* 56505786	3	Union Mix
* 56505783	3	AgLite Grit 500
* 56505787	3	MidGrit 240
* 56505788	3	MidLite Grit 180
* 56505782	3	Dyna Grit 80
* 56505781	3	Magna Grit 46

Main Brooms

33018858	1	Broom-Main Prolene/Wire
* 33018856	1	Broom-Main Nylon
* 33018857	1	Broom-Main Prolene

Side Brooms

56510707	1	Broom-Side Poly
----------	---	-----------------

* = Optional, Not Included

= Revised or new since last update

NOTE 1: All squeegee blade kits include both front and rear squeegee blades.

NOTE 2: All Deck Blade Kits include all blades for both skirt assemblies

NOTE 3: Replacement parts for the kits listed above can be found on each kit's associated instruction sheet.

NOTE 4: This drive wheel can be used in place of the standard drive wheel 56509157 for increased traction.

We provide brushes and pad holders that will give you the best possible performance between machine and floor. Following are descriptions of the materials and their applications.

- ProLite:** Bristles are made from light-duty polypropylene for general scrubbing when you do not want to scratch or remove finish from the floor. Recommended for use in place of red pads.
- Prolene:** Polypropylene material for medium-duty scrubbing on concrete, terrazzo and vinyl floor tile. Recommended for use in place of green or blue pads.
- Union Mix:** Medium grade natural fibers for polishing finished floors with standard-speed equipment. Recommended for use in place of white pads.
- AgLite Grit 500:** For light scrubbing when used wet; buffing or polishing when used dry on urethane coated, sealed concrete or other resilient hard surface floors. Recommended for use in place of red or white pads.
- MidGrit 240:** For general purpose scrubbing when you need a lighter action for sealed or unsealed concrete, stone, terrazzo, quarry tile and other resilient hard floor surfaces. Recommended for use in place of green or blue pads.
- MidLite Grit 180:** For general purpose scrubbing of sealed or unsealed concrete, stone, terrazzo, quarry tile and other resilient hard floor surfaces. Recommended for use in place of green or blue pads.
- Dyna Grit 80:** For aggressive, heavy-duty scrubbing or stripping of floors. Recommended for use in place of brown pads.
- Magna Grit 46:** For extreme heavy-duty scrubbing or stripping of floors. This brush has extra large diameter silicon carbide grit impregnated synthetic bristles. Recommended for use in place of black pads.
- Short Trim**
- Pad Holder:** Made with a structural foam block and center ring for correct pad centering. It has a "shower feed" design for getting solution to the floor.

BRUSHES

- 56505780 - Short Trim Pad Holder
 56505195 - Pad Retainer for 56505800
 56505785 - ProLite
 56505784 - Prolene
 56505786 - Union Mix
 56505783 - AgLite Grit 500
 56505787 - MidGrit 240
 56505788 - MidLite Grit 180
 56505782 - Dyna Grit 80
 56505781 - Magna Grit 46

DISC BRUSH APPLICATION GUIDE (SUGGESTION ONLY)

	46	80	180	240	500			Union
Application	Grit	Grit	Grit	Grit	Grit	Prolene	Prolite	Mix
Stripping:								
Concrete	X	X						
Terrazzo	X	X						
Ceramic/Quarry tile		X						
Vinyl tile		X						
General Scrubbing:								
Concrete	X	X	X	X		X		
Terrazzo			X	X	X	X		
Ceramic/Quarry tile			X	X	X	X		
Marble					X		X	
Vinyl tile			X		X	X		
Raised-rubber tile					X		X	
Polishing:								
Raised Disc Tile								X
Marble								X
Vinyl tile								X

CYLINDRICAL BRUSH APPLICATION GUIDE (SUGGESTION ONLY)

Application	46 Grit	80 Grit	180 Grit	Polypropylene	Stiff Nylon	Soft Nylon
Stripping:						
Concrete	X	X				
Terrazzo	X	X				
Ceramic/Quarry tile		X				
Vinyl tile		X				
General Scrubbing:						
Concrete	X	X	X	X	X	
Terrazzo			X	X	X	X
Ceramic/Quarry tile			X	X	X	X
Marble			X		X	X
Vinyl tile			X	X	X	X
Raised-rubber tile			X			X

Main Broom: 33018858 Prolene & Wire (STD.) (6 Double Rows)

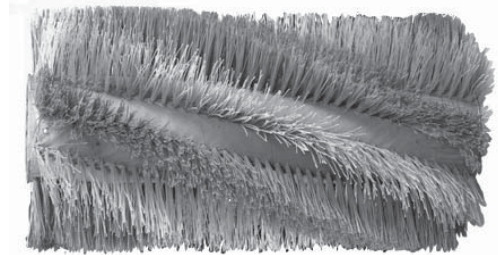
This broom has a more aggressive cleaning action, used to pick up heavier debris.

33018857 Prolene (Optional) (6 Double Rows)

A top quality synthetic fiber. This filament is made for a wide variety of applications. Retains its stiffness when wet and resists abrasive chemicals, solvents and oils. A general purpose material offering high performance for a wide range of applications.

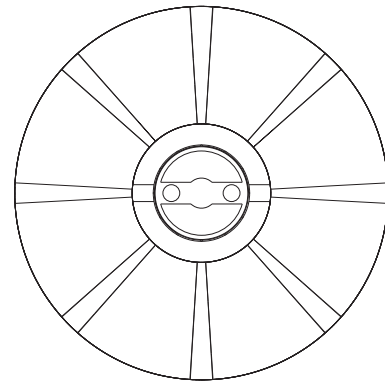
33018856 Nylon (Optional) (6 Double Rows)

General purpose broom that can be used for all types of light soil. High wear material so uneven surfaces do not cause excessive wear. Nylon has a high heat deflection temperature, is chemical resistant and will absorb water in wet conditions. Truly a general purpose broom.



6 Double Row

Length..... 35.43" (90 cm)
Diameter.... 12.20" (31 cm)



Side Broom: 56510707 Polypropylene (STD.)

The side broom function is to sweep the dirt and debris away from the curb, wall, pallet, etc. into the path of the main broom.



Diameter 22" (56 cm)

3-2011

SQUEEGEE BLADE SELECTOR GUIDE

9-2014

CS7000**121**

Gum Rubber: Provides superior wiping action on tile, terrazzo, and polished floors.

Red Gum Rubber: Provides longest life on finished or unfinished concrete floors.

Polyurethane: Oil resistance provides superior life in applications with oily floors.

SQUEEGEE BLADE APPLICATION GUIDE(SUGGESTION ONLY)

Performance Traits	Gum Rubber (Natural Rubber)	Red Gum Rubber (Natural Rubber)	Polyurethane/ Pentathane
Tear Strength		X	X
Abrasion Resistance		X	X
Applications			
Oil Resistant Applications			X
Appearance	Tan	Red	Translucent



9435 Winnetka Ave North
Minneapolis, MN 55445
www.advance-us.com
Phone: 800-989-2235
Fax: 800-989-6566
©2016 Nilfisk, Inc.

A Nilfisk Brand