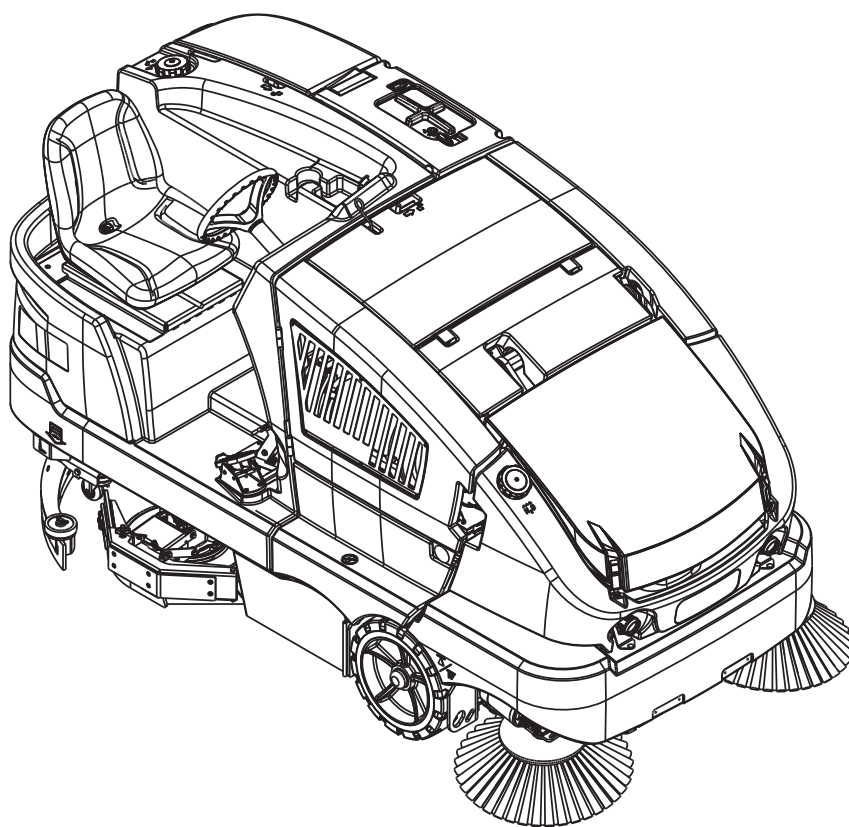


CS7010

Parts List

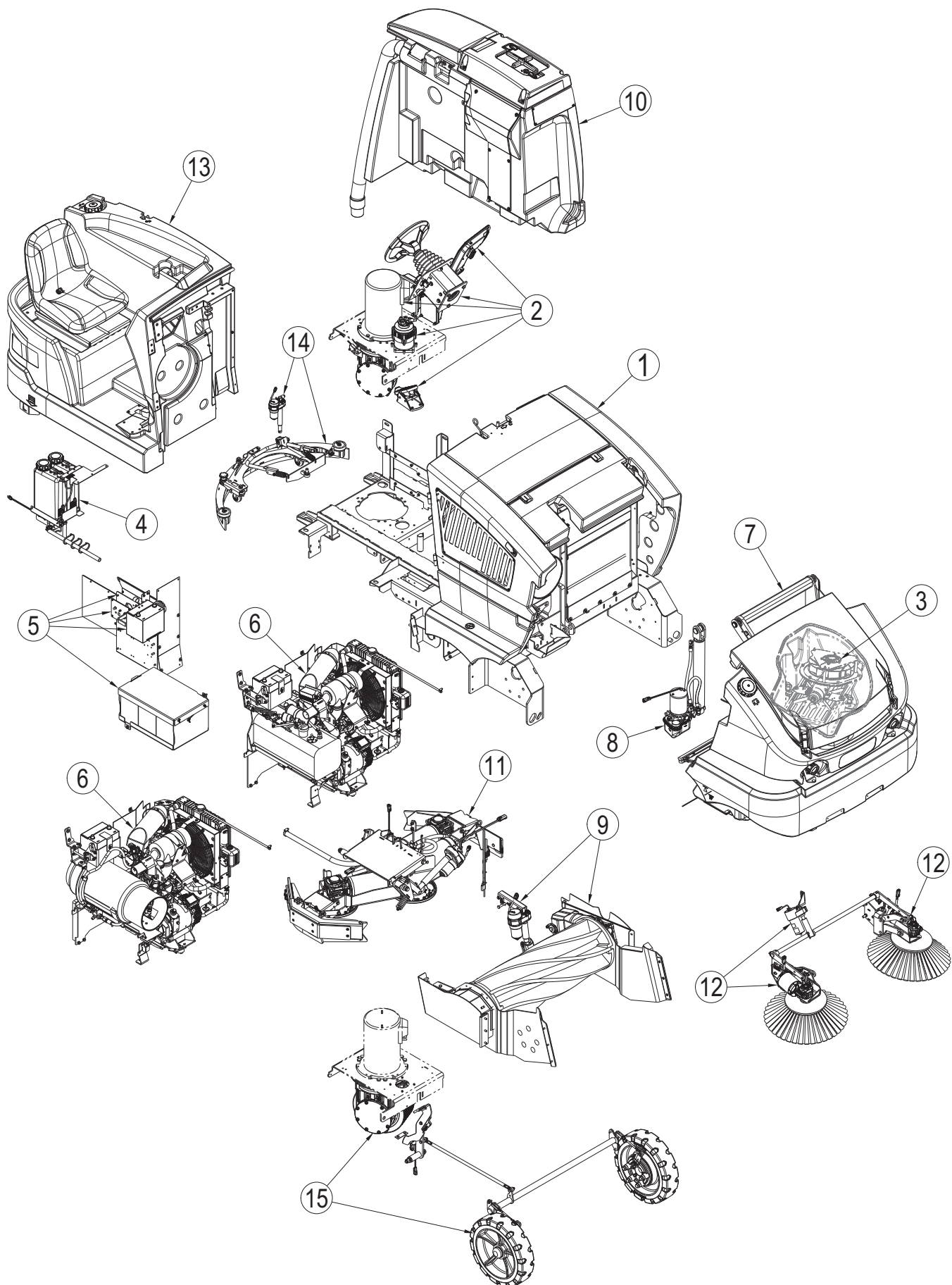
12/2016 revised 10/2018 REV D
Form no. 56042665



Models:

56511710(48 LPG Hybrid), 56511712(48 Diesel Hybrid), 56511713(48 Battery),
56511812(48 Fuel Cell EcoFlex), 56511814(48 Gasoline Hybrid), 56511819(48 Fuel Cell)

GENERAL VIEW



GENERAL VIEW

| Kit | Item | Ref. No. | Qty | Description |
|------------|-------------|-----------------|------------|---------------------|
| | 1 | | 1 | Chassis System |
| | 2 | | 1 | Control System |
| | 3 | | 1 | Dust Control System |
| | 4 | | 1 | Ecoflex™ Assembly |
| | 5 | | 1 | Electrical System |
| | 6 | | 1 | Engine Systems |
| | 7 | | 1 | Hopper System |
| | 8 | | 1 | Hydraulic System |
| | 9 | | 1 | Main Broom System |
| | 10 | | 1 | Recovery System |
| | 11 | | 1 | Scrub System |
| | 12 | | 1 | Side Broom System |
| | 13 | | 1 | Solution System |
| | 14 | | 1 | Squeegee System |
| | 15 | | 1 | Wheel System |

TABLE OF CONTENTS

| DESCRIPTION | PAGE |
|--|---------|
| Chassis System-GASOLINE-PETROL-LPG & DIESEL | 6-7 |
| Chassis System-BATTERY | 8-9 |
| Chassis System-FUEL CELL..... | 10-11 |
| Chassis System-Front Engine Cover Assembly | 12-13 |
| Chassis System-Fuel Cell Front Cover Assembly | 14-15 |
| Chassis System-Engine Cover Assembly | 16-17 |
| Chassis System-Fuel Cell Engine Cover Assembly | 18-19 |
| Chassis System-Right Door Assembly..... | 20-21 |
| Chassis System-Left Cover Assembly..... | 22-23 |
| Chassis System-Pull Rod Assembly..... | 24-25 |
| Chassis System-Fuel Cell Pull Rod Assembly | 26-27 |
| Control System | 28-29 |
| Control System-Steering Assembly | 30-31 |
| Decal System | 32-33 |
| Dust Control System | 34-35 |
| EcoFlex™ Assembly | 36-37 |
| Electrical System | 38-39 |
| Electrical System-Circuit Breaker Panel Assembly | 40 |
| Electrical System-Contactor Panel Assembly..... | 41 |
| Engine System-Gasoline-Petrol | 42-43 |
| Engine Assembly-Gasoline-Petrol | 44-45 |
| Engine Sub Assembly-Gasoline-Petrol | 46-47 |
| Gasoline-Petrol Tank Assembly..... | 48-49 |
| Engine System-LPG LEV | 50-51 |
| Power Unit-LPG LEV..... | 52-53 |
| Engine Assembly-LPG LEV | 54-55 |
| Engine Base-Replacement Parts-LPG LEV | 56-57 |
| LPG Tank Assembly | 58-59 |
| Engine System-DIESEL | 60-61 |
| Engine Assembly-DIESEL – Before January 2019..... | 62-63 |
| Engine Assembly-DIESEL – After December 2018..... | 64-65 |
| Engine Sub Assembly-DIESEL – Before January 2019 | 66-67 |
| Engine Sub Assembly-DIESEL – After December 2018..... | 68-69 |
| Diesel Fuel Tank Assembly..... | 70-71 |
| Hopper System-1 | 72-73 |
| Hopper System-2 | 74-75 |
| Hydraulic System | |
| Hydraulic System – Connector Identifier | 76 |
| Hydraulic System – Hose Descriptor..... | 77 |
| Hydraulic System – 37° Flare Equipped Machines..... | 78-79 |
| Hydraulic System – ORFS Equipped Machines..... | 80-81 |
| Main Broom System..... | 82-83 |
| Recovery System | 84-85 |
| Scrubbing System-1 | 86-87 |
| Scrubbing System-2..... | 88-89 |
| Scrub System-Right Skirt Assembly..... | 90-91 |
| Scrub System-Left Skirt Assembly | 92-93 |
| Side Broom System..... | 94-95 |
| Right Side Broom Arm Assembly | 96-97 |
| Left Side Broom Arm Assembly | 98-99 |
| Solution System-1 | 100-101 |
| Solution System-2 | 102-103 |
| Squeegee System | 104-105 |
| Squeegee Assembly..... | 106-107 |
| Wheel System | 108-109 |
| Wheel System-Brake Linkage Assembly..... | 110-111 |
| Ladder Diagrams..... | 112-129 |
| Optional Kits & Accessories | 130-131 |
| Recommended Spare Parts | 132 |
| Brush Selector Guide | 133 |
| Broom Selector Guide | 134 |
| Squeegee Blade Selector Guide | 135 |

WHEN ORDERING PARTS

- * Use the part numbers from the "Ref. No." columns in this parts list. If the "Ref. No." column is blank; look under the "Kit" column to identify which kit contains the part in question, then use the kit callout, for example "K1", to find the "Ref. No." for that kit.

| Kit | Item | Ref. No. | Qty | Description |
|-----|------|----------|-----|---------------------------------|
| K1 | 1 | | 16 | Washer Flat 3/16 Zinc Plat |
| K1 | 2 | | 2 | Screw-BHS-Brass-10-32x3/8-MS |
| K1 | 3 | | 3 | Washer EPDM 7/32 X 1/8 |
| | 4 | 805 | 1 | Chain-Cover |
| | 5 | 905 | 2 | Caster Swivel 4 Gray Non MA |
| K1 | 6 | | 2 | Nut, Hex Nyl Loc 10-24 |
| K1 | 7 | | 3 | Scr- Hex SS 1/4-20 X .75 |
| K1 | 8 | | 16 | Scr, Hex Hd Loc 1/4-20 x .50 |
| K1 | 9 | | 3 | Wsh, Flt SS .260 X 1.000 X .074 |
| | 10 | 56113012 | 1 | Solution Tank |
| | 11 | 56113034 | 2 | Hinge Plate |
| K1 | | 56113103 | 1 | Kit-Hardware Solution Tank |

- * Specify the model and serial number of the machine.
- * Use the space below to record the model and serial number for future reference.

Model _____ Serial No. _____

HYDRAULIC SYSTEM - CONNECTOR TYPE BY SERIAL NUMBER

Use your machine's serial number and the charts below and on the next page to determine which style hydraulics your machine has. See the Hydraulic System pages in this parts list that cover all the JIC 37° flare hydraulic Systems and ORFS Hydraulic Systems.

| Item Num | Description | Serial Number | Connector Type |
|----------|---------------------------|---------------|----------------|
| 56511815 | CS7010 1200D HYBRID | 1000066378 | JIC 37° flare |
| 56511818 | CS7010 1200 PETROL HYBRID | 1000066381 | ORFS |
| 56511818 | CS7010 1200 PETROL HYBRID | 1000066382 | ORFS |
| 56511773 | CS7010 48LP ECOFLEX DG | 1000066385 | JIC 37° flare |
| 56511815 | CS7010 1200D HYBRID | 1000066386 | JIC 37° flare |
| 56511815 | CS7010 1200D HYBRID | 1000066387 | JIC 37° flare |
| 56511815 | CS7010 1200D HYBRID | 1000066388 | JIC 37° flare |
| 56511777 | CS7010 48D ECOFLEX DG | 1000066389 | JIC 37° flare |
| 56511777 | CS7010 48D ECOFLEX DG | 1000066390 | JIC 37° flare |
| 56511782 | CS7010 48G ECOFLEX DG | 1000066391 | JIC 37° flare |
| 56511771 | CS7010 48LP DG | 1000066393 | JIC 37° flare |
| 56511773 | CS7010 48LP ECOFLEX DG | 1000066401 | JIC 37° flare |
| 56511821 | CS7010 1200LPG HYBRID | 1000066402 | JIC 37° flare |
| 56511773 | CS7010 48LP ECOFLEX DG | 1000066414 | JIC 37° flare |
| 56511773 | CS7010 48LP ECOFLEX DG | 1000066415 | JIC 37° flare |
| 56511773 | CS7010 48LP ECOFLEX DG | 1000066417 | JIC 37° flare |
| 56511773 | CS7010 48LP ECOFLEX DG | 1000066418 | JIC 37° flare |
| 56511773 | CS7010 48LP ECOFLEX DG | 1000066421 | JIC 37° flare |
| 56511773 | CS7010 48LP ECOFLEX DG | 1000066423 | JIC 37° flare |
| 56511773 | CS7010 48LP ECOFLEX DG | 1000066433 | JIC 37° flare |
| 56511770 | CS7010 48LP | 1000066435 | JIC 37° flare |
| 56511773 | CS7010 48LP ECOFLEX DG | 1000066464 | JIC 37° flare |
| 56511773 | CS7010 48LP ECOFLEX DG | 1000066465 | JIC 37° flare |
| 56511816 | CS7010 1200B | 1000066467 | JIC 37° flare |
| 56511816 | CS7010 1200B | 1000066516 | JIC 37° flare |
| 56511815 | CS7010 1200D HYBRID | 1000066519 | JIC 37° flare |
| 56511815 | CS7010 1200D HYBRID | 1000066520 | JIC 37° flare |
| 56511815 | CS7010 1200D HYBRID | 1000066521 | JIC 37° flare |
| 56511816 | CS7010 1200B | 1000066522 | JIC 37° flare |
| 56511816 | CS7010 1200B | 1000066523 | JIC 37° flare |
| 56511816 | CS7010 1200B | 1000066524 | JIC 37° flare |
| 56511816 | CS7010 1200B | 1000066525 | JIC 37° flare |
| 56511816 | CS7010 1200B | 1000066526 | JIC 37° flare |
| 56511816 | CS7010 1200B | 1000066527 | JIC 37° flare |
| 56511821 | CS7010 1200LPG HYBRID | 1000066528 | ORFS |
| 56511772 | CS7010 48LP ECOFLEX | 1000066535 | JIC 37° flare |
| 56511816 | CS7010 1200B | 1000066543 | JIC 37° flare |
| 56511816 | CS7010 1200B | 1000066544 | JIC 37° flare |
| 56511815 | CS7010 1200D HYBRID | 1000066547 | ORFS |
| 56511816 | CS7010 1200B | 1000066548 | JIC 37° flare |
| 56511816 | CS7010 1200B | 1000066549 | ORFS |
| 56511815 | CS7010 1200D HYBRID | 1000066550 | JIC 37° flare |
| 56511815 | CS7010 1200D HYBRID | 1000066551 | JIC 37° flare |
| 56511816 | CS7010 1200B | 1000066557 | ORFS |
| 56511816 | CS7010 1200B | 1000066558 | ORFS |
| 56511770 | CS7010 48LP | 1000066562 | JIC 37° flare |
| 56511929 | CS7010 FUEL CELL CUSTOM 1 | 1000066568 | ORFS |
| 56511929 | CS7010 FUEL CELL CUSTOM 1 | 1000066569 | ORFS |
| 56511815 | CS7010 1200D HYBRID | 1000066587 | ORFS |
| 56511815 | CS7010 1200D HYBRID | 1000066588 | ORFS |
| 56511816 | CS7010 1200B | 1000066593 | ORFS |
| 56511816 | CS7010 1200B | 1000066594 | ORFS |
| 56511816 | CS7010 1200B | 1000066595 | ORFS |

JIC 37° Flare Connector Type



All machines built
before Serial Number
1000066378
use JIC 37° flare
connector type

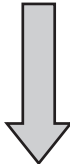
continued on next
page

HYDRAULIC SYSTEM - CONNECTOR TYPE BY SERIAL NUMBER - CONTINUED

| Item Num | Description | Serial Number | Connector Type |
|----------|--------------------------------|---------------|----------------|
| 56511816 | CS7010 1200B | 1000066596 | ORFS |
| 56511816 | CS7010 1200B | 1000066597 | ORFS |
| 56511816 | CS7010 1200B | 1000066598 | ORFS |
| 56511772 | CS7010 48LP ECOFLEX | 1000066608 | JIC 37° flare |
| 56511772 | CS7010 48LP ECOFLEX | 1000066609 | JIC 37° flare |
| 56511773 | CS7010 48LP ECOFLEX DG | 1000066612 | JIC 37° flare |
| 56511798 | CS7010 48 FUEL CELL ECOFLEX DG | 1000066613 | ORFS |
| 56511777 | CS7010 48D ECOFLEX DG | 1000066614 | ORFS |
| 56511770 | CS7010 48LP | 1000066615 | ORFS |
| 56511770 | CS7010 48LP | 1000066617 | ORFS |
| 56511816 | CS7010 1200B | 1000066631 | ORFS |
| 56511815 | CS7010 1200D HYBRID | 1000066632 | ORFS |
| 56511815 | CS7010 1200D HYBRID | 1000066633 | ORFS |
| 56511816 | CS7010 1200B | 1000066634 | ORFS |
| 56511816 | CS7010 1200B | 1000066635 | ORFS |
| 56511816 | CS7010 1200B | 1000066636 | ORFS |
| 56511816 | CS7010 1200B | 1000066637 | ORFS |
| 56511821 | CS7010 1200LPG HYBRID | 1000066638 | ORFS |
| 56511821 | CS7010 1200LPG HYBRID | 1000066639 | ORFS |
| 56511773 | CS7010 48LP ECOFLEX DG | 1000066640 | ORFS |
| 56511816 | CS7010 1200B | 1000066641 | ORFS |
| 56511816 | CS7010 1200B | 1000066642 | ORFS |
| 56511773 | CS7010 48LP ECOFLEX DG | 1000066644 | ORFS |
| 56511794 | CS7010 48B W770 480VAC ECO DG | 1000066645 | ORFS |
| 56511816 | CS7010 1200B | 1000066646 | ORFS |
| 56511821 | CS7010 1200LPG HYBRID | 1000066647 | ORFS |
| 56511777 | CS7010 48D ECOFLEX DG | 1000066649 | JIC 37° flare |
| 56511773 | CS7010 48LP ECOFLEX DG | 1000066650 | ORFS |
| 56511777 | CS7010 48D ECOFLEX DG | 1000066652 | JIC 37° flare |
| 56511771 | CS7010 48LP DG | 1000066653 | ORFS |
| 56511777 | CS7010 48D ECOFLEX DG | 1000066654 | ORFS |
| 56511773 | CS7010 48LP ECOFLEX DG | 1000066659 | ORFS |
| 56511773 | CS7010 48LP ECOFLEX DG | 1000066660 | ORFS |
| 56511773 | CS7010 48LP ECOFLEX DG | 1000066661 | ORFS |
| 56511773 | CS7010 48LP ECOFLEX DG | 1000066662 | ORFS |
| 56511799 | CS7010 48B W770 240-1PH | 1000066665 | ORFS |
| 56511799 | CS7010 48B W770 240-1PH | 1000066667 | ORFS |
| 56511799 | CS7010 48B W770 240-1PH | 1000066669 | ORFS |
| 56511816 | CS7010 1200B | 1000066707 | ORFS |
| 56511821 | CS7010 1200LPG HYBRID | 1000066708 | ORFS |
| 56511816 | CS7010 1200B | 1000066709 | ORFS |
| 56511770 | CS7010 48LP | 1000066711 | ORFS |
| 56511775 | CS7010 48D DG | 1000066712 | ORFS |
| 56511771 | CS7010 48LP DG | 1000066738 | ORFS |
| 56511772 | CS7010 48LP ECOFLEX | 1000066739 | ORFS |
| 56511816 | CS7010 1200B | 1000066741 | ORFS |
| 56511816 | CS7010 1200B | 1000066742 | ORFS |
| 56511816 | CS7010 1200B | 1000066743 | ORFS |
| 56511816 | CS7010 1200B | 1000066744 | ORFS |
| 56511821 | CS7010 1200LPG HYBRID | 1000066745 | ORFS |
| 56511930 | CS7010 48B CUSTOM 1 | 1000066749 | JIC 37° flare |
| 56511816 | CS7010 1200B | 1000066750 | ORFS |

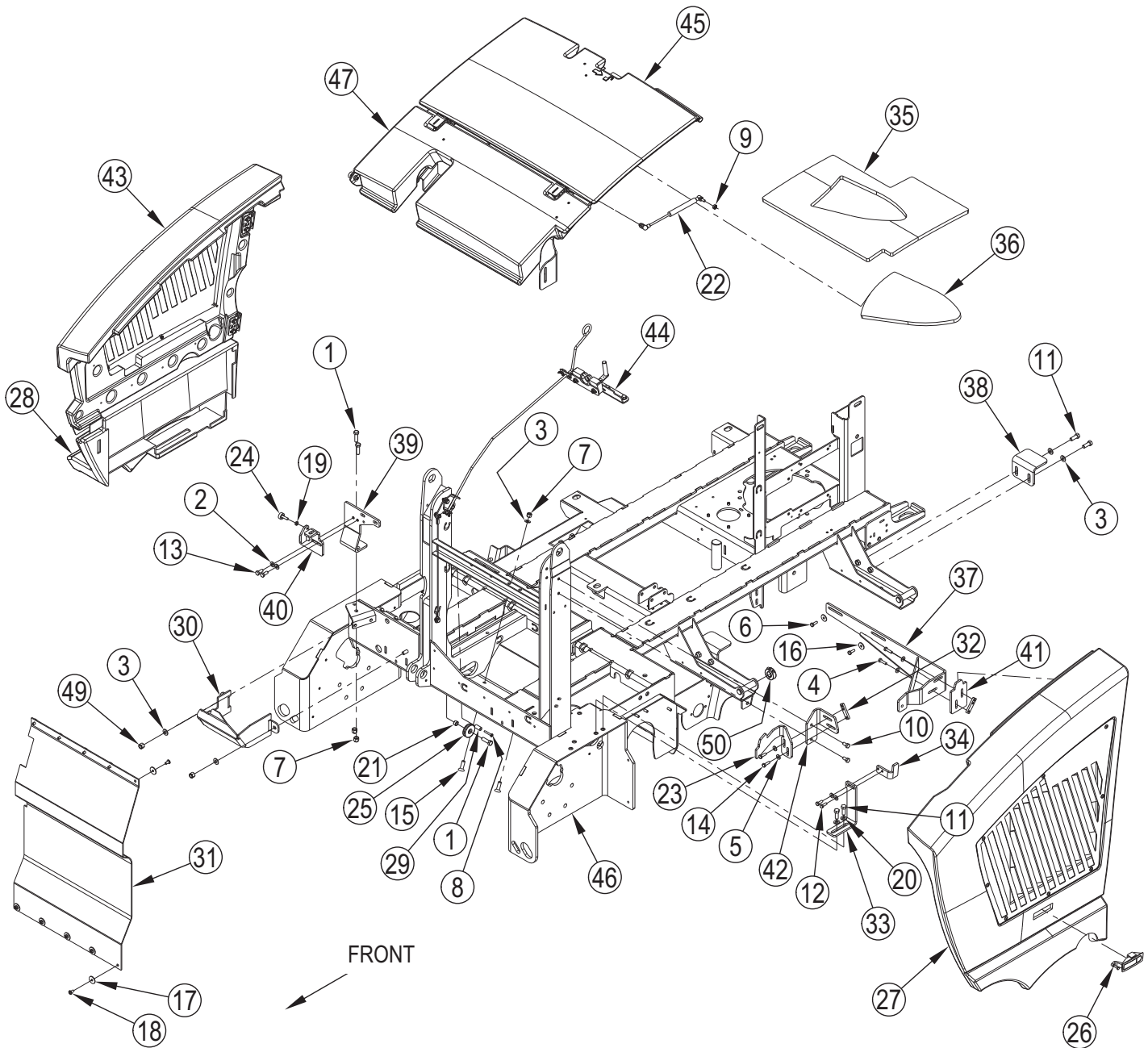
continued from previous page

All machines built after Serial Number 1000066750 use ORFS connector type



**ORFS
Connector
Type**

CHASSIS SYSTEM-GASOLINE-PETROL-LPG & DIESEL



CHASSIS SYSTEM-GASOLINE-PETROL-LPG & DIESEL

| Kit | Item | Ref. No. | Qty | Description |
|-------|------|----------|-----|-------------------------------------|
| K2 | 1 | | 3 | Scr-Hex 3/8-16 X 1.25 |
| K2,K3 | 2 | | 2 | Wsh, Flt Sae 5/16 |
| K2 | 3 | | 8 | Wsh, Flt Sae 3/8 |
| K2 | 4 | | 2 | Scr-Hex 1/4-20 X 1.00 |
| K2 | 5 | | 6 | Wsh, Flt Sae 1/4 |
| K2 | 6 | | 2 | Scr-Hex 1/4-20 X .75 |
| K2 | 7 | | 6 | Nut-Hex Nyl Loc 3/8-16 |
| K2 | 8 | | 1 | Scr-Pan Phil 10-24 X 1.25 |
| K2 | 9 | | 2 | Nut, Hex Nyl Loc-Thin 5/16-18 |
| K2 | 10 | | 2 | Scr-Hex Hd Loc 5/16-18x.62 |
| K2 | 11 | | 6 | Scr-Hex Hd Loc 3/8-16x1.00 |
| K2 | 12 | | 2 | Scr-Hex Hd Loc 1/4-20x.75 |
| K2,K3 | 13 | | 2 | Scr-Hex Hd Loc 5/16-18x.75 |
| K2 | 14 | | 2 | Scr-Hex Hd Loc 1/4-20x.88 |
| K2 | 15 | | 2 | Scr-Flt Soc Ss 3/8-16 X 1.25 |
| K2 | 16 | | 2 | Wsh, Flt .266 X .906 X .060 |
| K1,K2 | 17 | | 10 | Wsh-Flt Ss .260 X 1.000 X .074 |
| K1,K2 | 18 | | 10 | Scr, Pan Phil Thd Form 1/4-20 X .50 |
| K2,K3 | 19 | | 1 | Nut, Hex Jam 1/4-20 |
| K2 | 20 | | 2 | Wsh-Flt .406x.750x.090 |
| | 21 | 56232181 | 1 | Bushing |
| | 22 | 56314206 | 1 | Gas Spring |
| | 23 | 56382941 | 1 | Hanger-Side Panel |
| K3 | 24 | | 1 | Leg Leveler 1/4-20 |
| | 25 | 56416546 | 1 | Shielded Pulley |
| | 26 | 56418471 | 1 | Door Latch |

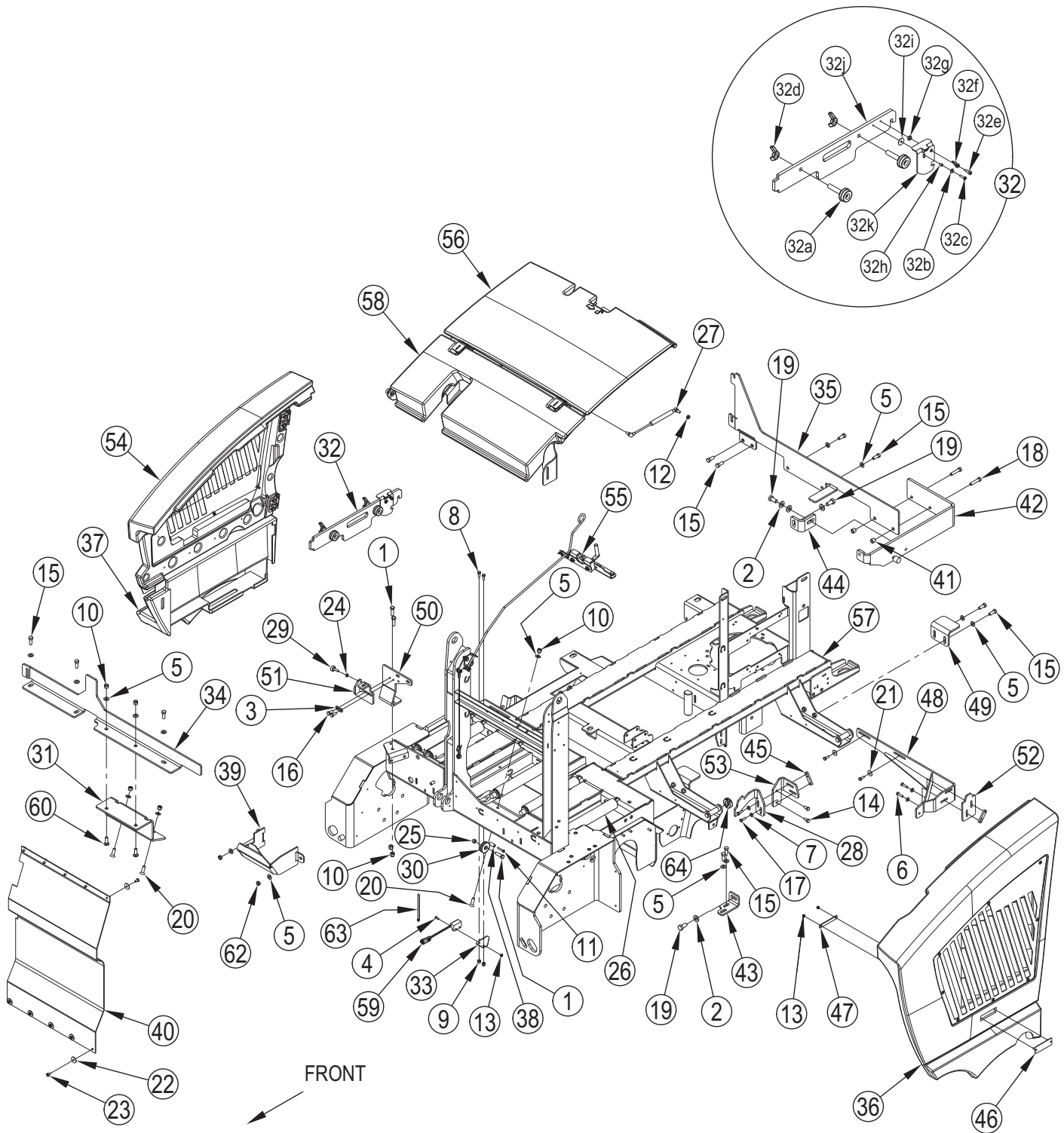
| Kit | Item | Ref. No. | Qty | Description |
|-----|------|----------|-----|--|
| | 27 | 56509851 | 1 | Left Cover Assy |
| | 28 | 56509881 | 1 | Lower Cover Right |
| | 29 | 56509982 | 1 | Bushing-.200 X .375 X .88 |
| | 30 | 56510125 | 1 | Guard-Reservoir |
| K1 | 31 | | 1 | Shield-Dust |
| | 32 | 56510587 | 2 | Nut Plate |
| | 33 | 56510717 | 1 | Bracket |
| | 34 | 56510723 | 1 | Strike-Latch |
| | 35 | 56510749 | 1 | Foam Insulation |
| | 36 | 56510750 | 1 | Foam Insulation |
| | 37 | 56511124 | 1 | Cover Hanger Weldt |
| | 38 | 56511149 | 2 | Bracket Tank Stop |
| | 39 | 56511153 | 1 | Support-Panel |
| K3 | 40 | | 1 | Bracket |
| | 41 | 56511168 | 1 | Plate |
| | 42 | 56511172 | 1 | Bracket |
| | 43 | 56511182 | 1 | Right Door Assy |
| | 44 | 56511183 | 1 | Pull Rod Assy |
| | 45 | 56511184 | 1 | Engine Cover Assy |
| | 46 | | 1 | Chassis Weldment (not available for sale) |
| | 47 | 56511740 | 1 | Front Engine Cover Assy |
| K2 | 49 | | 2 | Nut Hex Nyl Loc-Thin 3/8-16 |
| K4 | 50# | | 1 | Collar-Clamp-2 Piece |

Service Kits

| | | | |
|-----|----------|---|--------------------------|
| K1 | 56510735 | 1 | Dust Shield Kit-Hopper |
| K2 | 56511888 | 1 | Hardware Kit-Chassis Sys |
| K3 | 56509013 | 1 | Right Door Latch Kit |
| K4# | 56394069 | 1 | Clamp Collar Kit-2 Piece |

= Revised or new since last update

CHASSIS SYSTEM-BATTERY



CHASSIS SYSTEM-BATTERY

| Kit | Item | Ref. No. | Qty | Description |
|-------|------|----------|-----|-------------------------------------|
| K2 | 1 | | 3 | Scr-Hex 3/8-16 X 1.25 |
| K2,K4 | 2 | | 4 | Wsh-Flt Sae 1/2 |
| K2,K3 | 3 | | 2 | Wsh, Flt Sae 5/16 |
| K2 | 4 | | 1 | Scr-Pan Phil 10-24 X .50 |
| K2,K4 | 5 | | 18 | Wsh, Flt Sae 3/8 |
| K2 | 6 | | 2 | Scr-Hex 1/4-20 X 1.00 |
| K2 | 7 | | 4 | Wsh, Flt Sae 1/4 |
| K2 | 8 | | 4 | Scr-Hex 1/4-20 X .75 |
| K2 | 9 | | 2 | Nut, Hex Nyl Loc 1/4-20 |
| K2,K4 | 10 | | 7 | Nut-Hex Nyl Loc 3/8-16 |
| K2 | 11 | | 1 | Scr-Pan Phil 10-24 X 1.25 |
| K2 | 12 | | 2 | Nut, Hex Nyl Loc-Thin 5/16-18 |
| K2 | 13 | | 3 | Nut, Hex Nyl Loc-Thin 10-24 |
| K2 | 14 | | 2 | Scr-Hex Hd Loc 5/16-18x.62 |
| K2,K4 | 15 | | 13 | Scr-Hex Hd Loc 3/8-16x1.00 |
| K2,K3 | 16 | | 2 | Scr-Hex Hd Loc 5/16-18x.75 |
| K2 | 17 | | 2 | Scr-Hex Hd Loc 1/4-20x.88 |
| K2,K4 | 18 | | 2 | Scr-Hex Hd Loc 3/8-16x1.75 |
| K2,K4 | 19 | | 3 | Scr-Hex Hd Loc 1/2-13x1.00 |
| K2,K4 | 20 | | 3 | Scr-Flt Soc Ss 3/8-16 X 1.25 |
| K2 | 21 | | 2 | Wsh, Flt .266 X .906 X .060 |
| K1,K2 | 22 | | 10 | Wsh-Flt Ss .260 X 1.000 X .074 |
| K1,K2 | 23 | | 10 | Scr, Pan Phil Thd Form 1/4-20 X .50 |
| K2 | 24 | | 1 | Nut, Hex Jam 1/4-20 |
| | 25 | 56232181 | 1 | Bushing |
| | 26 | 56303228 | 6 | Roller Asm |
| | 27 | 56314206 | 1 | Gas Spring |
| | 28 | 56382941 | 1 | Hanger-Side Panel |
| K3 | 29 | | 1 | Leg Leveler 1/4-20 |
| | 30 | 56416546 | 1 | Shielded Pulley |
| K4 | 31 | | 1 | Bracket - Rollers |
| | 32 | 56509755 | 1 | Plate Asm-Battery Stop |
| | 32a | 56449221 | 2 | Bumper, 1.43 Dia |
| | 32b | 56001954 | 1 | Wsh, Flt SAE #10 |
| | 32c | 56002192 | 1 | Scr-Pan Phil 10-24 X .75 |
| | 32d | 56003289 | 2 | Nut, Wing 1/2-13 |
| | 32e | 56003537 | 1 | Scr-Soc Shd .25 X .38 X 10-24 |
| | 32f | 56245060 | 1 | Spring, Torsion .38 X 2 |
| | 32g | 56303284 | 1 | Bearing, Fl .375x.250x.188 |
| | 32h | 56369004 | 1 | Bushing |
| | 32i | 56413875 | 1 | Washer, Teflon, .21 X .88 X .045 |
| | 32j | 56509756 | 1 | Plate - Battery Stop |
| | 32k | 56509757 | 1 | Latch - Battery Stop |
| | 33 | 56509758 | 1 | Bracket - Switch Mount |

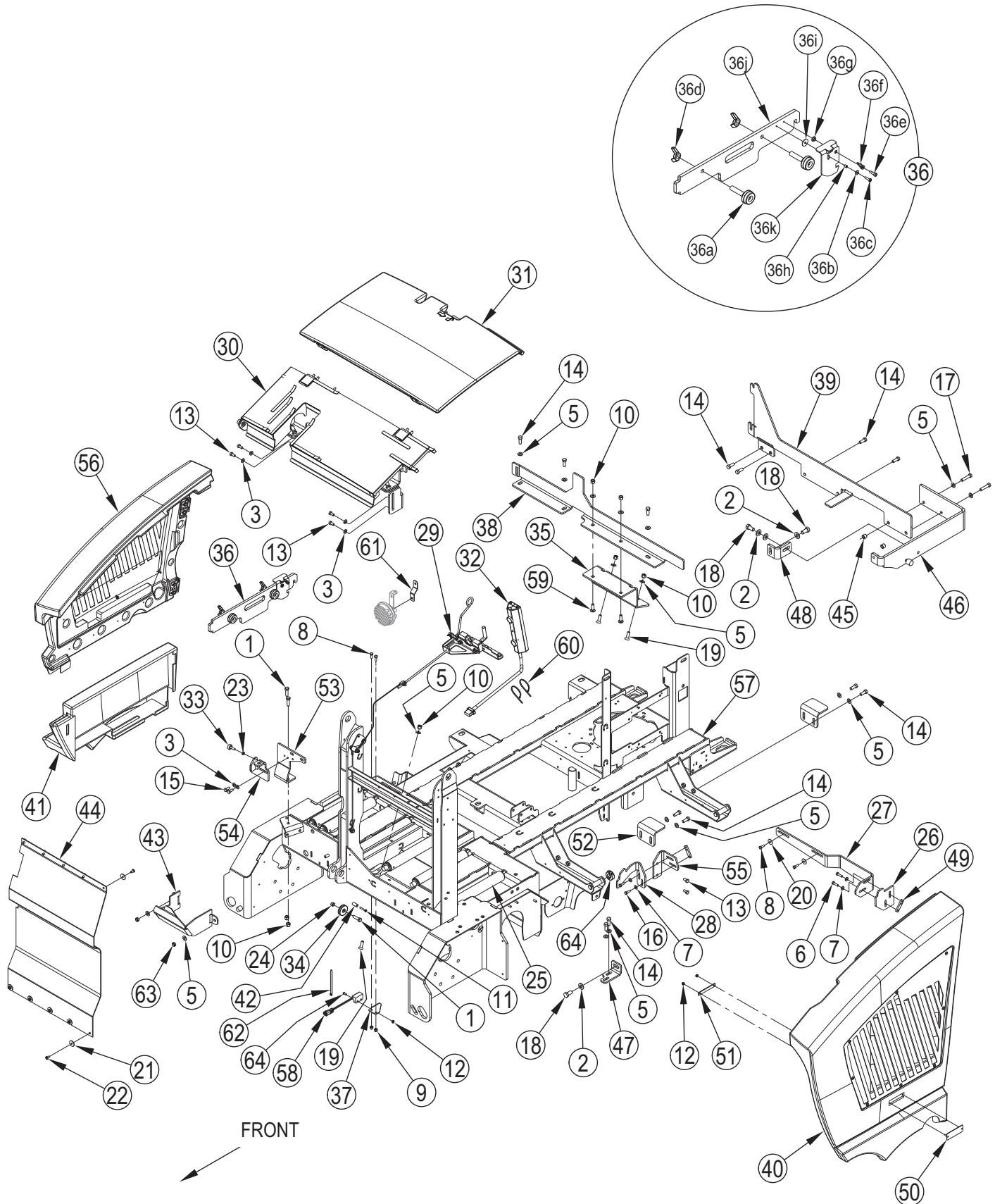
| Kit | Item | Ref. No. | Qty | Description |
|-----|------|------------|-----|--|
| K4 | 34 | | 1 | Battery Guide-Front |
| K4 | 35 | | 1 | Battery Guide Weldt |
| | 36 | 56509851 | 1 | Left Cover Assy |
| | 37 | 56509881 | 1 | Lower Cover Right |
| | 38 | 56509982 | 1 | Bushing-.200 X .375 X .88 |
| | 39 | 56510125 | 1 | Guard-Reservoir |
| K1 | 40 | | 1 | Shield-Dust |
| K4 | 41 | | 2 | Bushing-.400 X .625 X .50 |
| K4 | 42 | | 1 | Battery Stop Weldt |
| | 43 | 56510537 | 1 | Bracket |
| K4 | 44 | | 1 | Bracket |
| | 45 | 56510587 | 2 | Nut Plate |
| | 46 | 56510751 | 1 | Cover Plate Assy |
| | 47 | 56510752 | 1 | Retainer-Cover Plate |
| | 48 | 56511124 | 1 | Cover Hanger Weldt |
| | 49 | 56511149 | 2 | Bracket Tank Stop |
| | 50 | 56511153 | 1 | Support-Panel |
| K3 | 51 | | 1 | Bracket |
| | 52 | 56511168 | 1 | Plate |
| | 53 | 56511172 | 1 | Bracket |
| | 54 | 56511182 | 1 | Right Door Assy |
| | 55 | 56511183 | 1 | Pull Rod Assy |
| | 56 | 56511184 | 1 | Engine Cover Assy |
| | 57 | 5 | 1 | Chassis Weldment (not available for sale) |
| | 58 | 56511740 | 1 | Front Engine Cover Assy |
| | 59 | 56511830 | 1 | Sensor-Proximity SW4 |
| K4 | 60 | | 2 | 3/8-16 X 1.0", Carriage Bolt |
| K2 | 62 | | 2 | Nut Hex Nyl Loc-Thin 3/8-16 |
| | 63 | 2-00-04345 | 1 | 15.35 In Cable Tie Blk Nylon |
| K5 | 64# | | 1 | Collar-Clamp-2 Piece |

Service Kits

| | | | |
|-----|----------|---|--------------------------|
| K1 | 56510735 | 1 | Dust Shield Kit-Hopper |
| K2 | 56511888 | 1 | Hardware Kit-Chassis Sys |
| K3 | 56509013 | 1 | Right Door Latch Kit |
| K4 | 56510838 | 1 | Battery Guide Kit |
| K5# | 56394069 | 1 | Clamp Collar Kit-2 Piece |

= Revised or new since last update

CHASSIS SYSTEM-FUEL CELL



CHASSIS SYSTEM-FUEL CELL

| Kit | Item | Ref. No. | Qty | Description |
|-------|------|----------|-----|-------------------------------------|
| K2 | 1 | | 3 | Scr-Hex 3/8-16 X 1.25 |
| K2,K4 | 2 | | 4 | Wsh-Flt Sae 1/2 |
| K2,K3 | 3 | | 6 | Wsh, Flt Sae 5/16 |
| K2 | 4 | | 1 | Scr-Pan Phil 10-24 X .50 |
| K2,K4 | 5 | | 18 | Wsh, Flt Sae 3/8 |
| K2 | 6 | | 2 | Scr-Hex 1/4-20 X 1.00 |
| K2 | 7 | | 4 | Wsh, Flt Sae 1/4 |
| K2 | 8 | | 4 | Scr-Hex 1/4-20 X .75 |
| K2 | 9 | | 2 | Nut, Hex Nyl Loc 1/4-20 |
| K2,K4 | 10 | | 7 | Nut-Hex Nyl Loc 3/8-16 |
| K2 | 11 | | 1 | Scr-Pan Phil 10-24 X 1.25 |
| K2 | 12 | | 3 | Nut, Hex Nyl Loc-Thin 10-24 |
| K2 | 13 | | 2 | Scr-Hex Hd Loc 5/16-18x.62 |
| K2,K4 | 14 | | 13 | Scr-Hex Hd Loc 3/8-16x1.00 |
| K2,K3 | 15 | | 6 | Scr-Hex Hd Loc 5/16-18x.75 |
| K2 | 16 | | 2 | Scr-Hex Hd Loc 1/4-20x.88 |
| K2,K4 | 17 | | 2 | Scr-Hex Hd Loc 3/8-16x1.75 |
| K2,K4 | 18 | | 3 | Scr-Hex Hd Loc 1/2-13x1.00 |
| K2,K4 | 19 | | 3 | Scr-Flt Soc Ss 3/8-16 X 1.25 |
| K2 | 20 | | 2 | Wsh, Flt .266 X .906 X .060 |
| K1,K2 | 21 | | 10 | Wsh-Flt Ss .260 X 1.000 X .074 |
| K1,K2 | 22 | | 10 | Scr, Pan Phil Thd Form 1/4-20 X .50 |
| K2 | 23 | | 1 | Nut, Hex Jam 1/4-20 |
| | 24 | 56232181 | 1 | Bushing |
| | 25 | 56303228 | 6 | Roller Asm |
| | 26 | 56382937 | 1 | Plate-Mounting |
| | 27 | 56382940 | 1 | Hanger-Cover |
| | 28 | 56382941 | 1 | Hanger-Side Panel |
| | 29 | 56382967 | 1 | Pull Rod Assy-Cs7000 Fc |
| | 30 | 56382970 | 1 | Front Cover Assy-Cs7000 Fc |
| | 31 | 56382971 | 1 | Engine Cover Assy-Cs7000 Fc |
| | 32 | | 1 | Panel-User Interface Fuel Cell |
| | 33 | 56386314 | 1 | Leg Leveler 1/4-20 |
| | 34 | 56416546 | 1 | Shielded Pulley |
| | 35 | 56509538 | 1 | Bracket - Rollers |
| | 36 | 56509755 | 1 | Plate Asm-Battery Stop |
| | 36a | 56449221 | 2 | Bumper, 1.43 Dia |
| | 36b | 56001954 | 1 | Wsh, Flt SAE #10 |
| | 36c | 56002192 | 1 | Scr-Pan Phil 10-24 X .75 |
| | 36d | 56003289 | 2 | Nut, Wing 1/2-13 |
| | 36e | 56003537 | 1 | Scr-Soc Shd .25 X .38 X 10-24 |
| | 36f | 56245060 | 1 | Spring, Torsion .38 X 2 |
| | 36g | 56303284 | 1 | Bearing, Fl .375x.250x.188 |
| | 36h | 56369004 | 1 | Bushing |
| | 36i | 56413875 | 1 | Washer, Teflon, .21 X .88 X .045 |
| | 36j | 56509756 | 1 | Plate - Battery Stop |
| | 36k | 56509757 | 1 | Latch - Battery Stop |

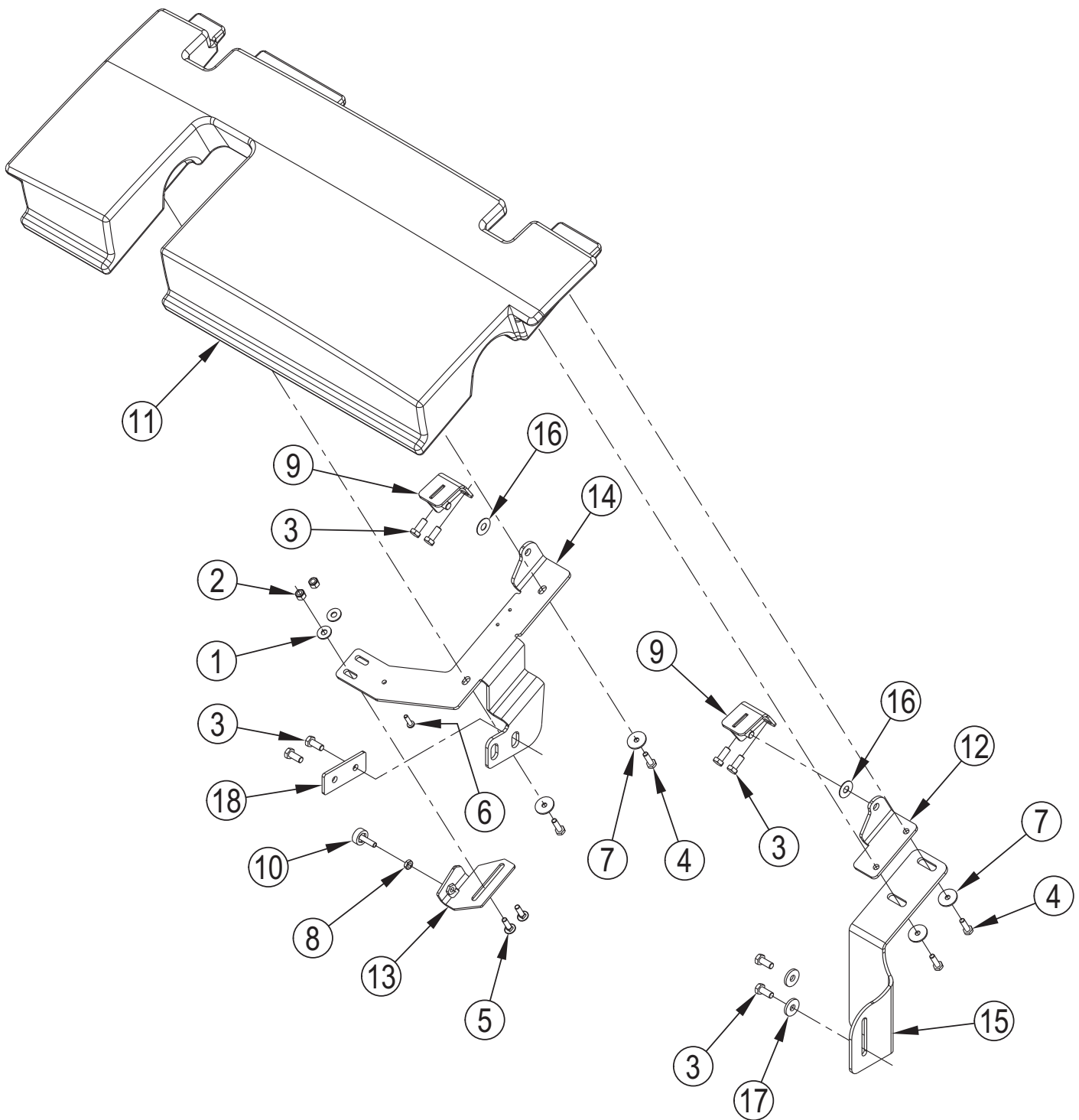
| Kit | Item | Ref. No. | Qty | Description |
|-----|------|------------|-----|---|
| | 37 | 56509758 | 1 | Bracket - Switch Mount |
| K4 | 38 | | 1 | Battery Guide-Front |
| K4 | 39 | | 1 | Battery Guide Weldt |
| | 40 | 56509851 | 1 | Left Cover Assy |
| | 41 | 56509881 | 1 | Lower Cover Right |
| | 42 | 56509982 | 1 | Bushing-.200 X .375 X .88 |
| | 43 | 56510125 | 1 | Guard-Reservoir |
| K1 | 44 | | 1 | Shield-Dust |
| K4 | 45 | | 2 | Bushing-.400 X .625 X .50 |
| K4 | 46 | | 1 | Battery Stop Weldt |
| | 47 | 56510537 | 1 | Bracket |
| K4 | 48 | | 1 | Bracket |
| | 49 | 56510587 | 2 | Nut Plate |
| | 50 | 56510751 | 1 | Cover Plate Assy |
| | 51 | 56510752 | 1 | Retainer-Cover Plate |
| | 52 | 56511149 | 2 | Bracket Tank Stop |
| | 53 | 56511153 | 1 | Support-Panel |
| K3 | 54 | | 1 | Bracket |
| | 55 | 56511172 | 1 | Bracket |
| | 56 | 56511182 | 1 | Right Door Assy |
| | 57 | | 1 | Chassis Weldment (not available for sale) |
| | 58 | 56511830 | 1 | Sensor-Proximity SW4 |
| K4 | 59 | | 2 | 3/8-16 X 1.0", Carriage Bolt |
| | 60 | | 2 | Ty-Rap Thomas+Betts-Ty-28m |
| | 61 | 56382931 | 1 | Bracket-Horn |
| | 62 | 2-00-04345 | 1 | 15.35 In Cable Tie Blk Nylon |
| K2 | 63 | | 2 | Nut Hex Nyl Loc-Thin 3/8-16 |
| K5 | 64# | | 1 | Collar-Clamp-2 Piece |

Service Kits

| | | | |
|-----|----------|---|--------------------------|
| K1 | 56510735 | 1 | Dust Shield Kit-Hopper |
| K2 | 56511888 | 1 | Hardware Kit-Chassis Sys |
| K3 | 56509013 | 1 | Right Door Latch Kit |
| K4 | 56510838 | 1 | Battery Guide Kit |
| K5# | 56394069 | 1 | Clamp Collar Kit-2 Piece |

= Revised or new since last update

CHASSIS SYSTEM-FRONT ENGINE COVER ASSEMBLY



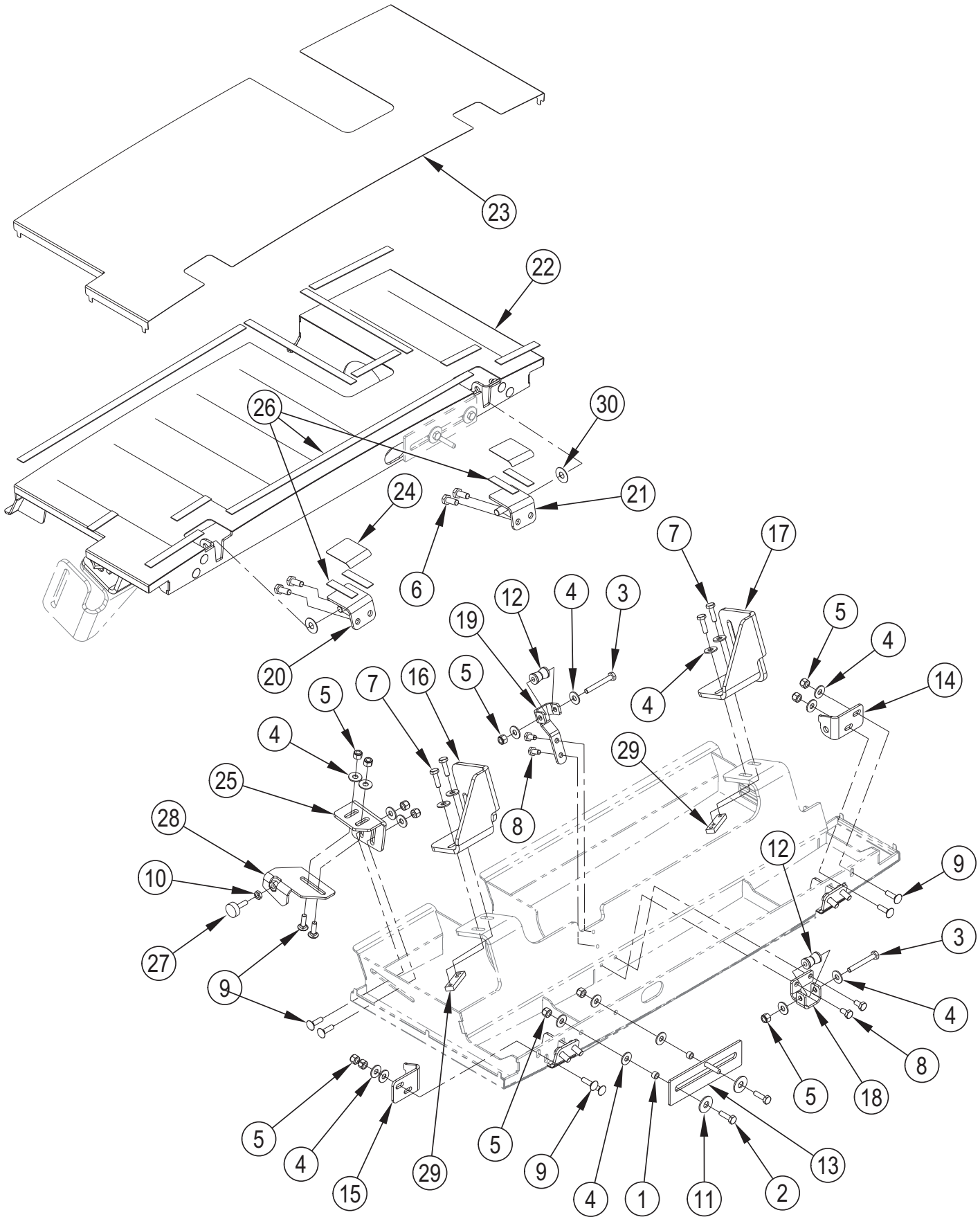
CHASSIS SYSTEM-FRONT ENGINE COVER ASSEMBLY

| Kit | Item | Ref. No. | Qty | Description |
|------------|-------------|-----------------|------------|--------------------------------------|
| | | 56511740 | 1 | Front Engine Cover Assy |
| K1 | 1 | | 2 | Wsh, Flt Std 1/4 |
| K1 | 2 | | 2 | Nut, Hex Nyl Loc 1/4-20 |
| K1 | 3 | | 8 | Scr-Hex Hd Loc 5/16-18x.75 |
| K1 | 4 | | 4 | Scr Hex Loc-1/4-20 X 0.75 |
| K1 | 5 | | 2 | Scr-Carriage 1/4-20 X .88 |
| K1 | 6 | | 1 | Scr, Pan Phil SS Type Ab 10-16 X .75 |
| K1 | 7 | | 4 | Wsh, Flt SS .260 X 1.000 X .074 |
| K1 | 8 | | 1 | Nut, Hex Jam 1/4-20 |
| K1 | 9 | | 2 | Hinge Weldt |
| K1 | 10 | | 1 | Leg Leveler 1/4-20 |
| | 11 | 56509403 | 1 | Cover-Engine Front |
| K1 | 12 | | 1 | Bracket-Engine Cover |
| K1 | 13 | | 1 | Latch Bracket Weldt |
| K1 | 14 | | 1 | Bracket-Support-Cover |
| K1 | 15 | | 1 | Bracket-Support-Cover |
| K1 | 16 | | 2 | Washer 3/8PL.Nylon |
| K1 | 17 | 56009122 | 2 | Wsh Flt .344x.938x.125 |
| K1 | 18 | 56511924 | 1 | Plate-Bracket Retainer |

Service Kits

| | | | |
|----|----------|---|------------------------------|
| K1 | 56383002 | 1 | Front Engine Cover Hinge Kit |
|----|----------|---|------------------------------|

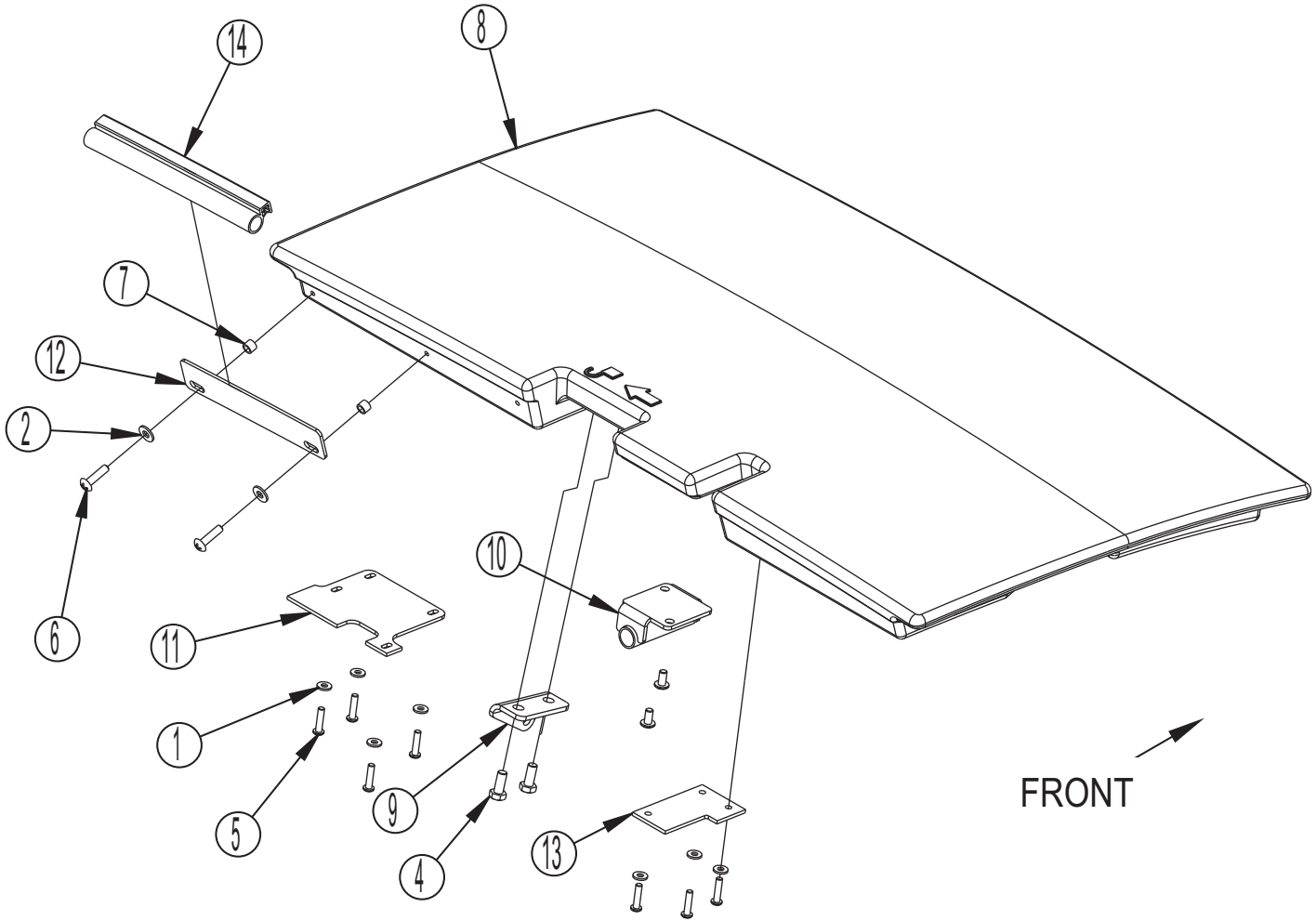
CHASSIS SYSTEM-FUEL CELL FRONT COVER ASSEMBLY



CHASSIS SYSTEM-FUEL CELL FRONT COVER ASSEMBLY

| <u>Kit</u> | <u>Item</u> | <u>Ref. No.</u> | <u>Qty</u> | <u>Description</u> |
|---------------------|-------------|-----------------|------------|-------------------------------------|
| K1 | 1 | | 2 | Bushing |
| K1 | 2 | | 2 | Scr-Hex 1/4-20 X .88 |
| | 3 | 56001874 | 2 | Scr-Hex 1/4-20 X 2.00 |
| K1 | 4 | | 20 | Wsh. Flt Std 1/4 |
| K1 | 5 | | 12 | Nut, Hex Nyl Loc 1/4-20 |
| K1 | 6 | | 4 | Scr-Hex Hd Loc 5/16-18x.75 |
| K1 | 7 | | 4 | Scr-Hex Hd Loc 1/4-20x.88 |
| | 8 | 56003039 | 4 | Scr-Hex Hd Loc 1/4-20x.50 |
| K1 | 9 | | 8 | Scr-Carriage 1/4-20 X .88 |
| K1 | 10 | | 1 | Nut, Hex Jam 1/4-20 |
| K1 | 11 | | 2 | Wsh-Flt .392x1.00x.075 |
| | 12 | 56382925 | 2 | Pulley |
| K1 | 13 | | 1 | Bar Lock-Cover Weldt |
| K1 | 14 | | 1 | Bracket-Hinge Lt |
| K1 | 15 | | 1 | Bracket-Hinge Rt |
| K1 | 16 | | 1 | Bracket-Fixed Panel Rt |
| K1 | 17 | | 1 | Bracket-Fixed Panel Lt |
| | 18 | 56382942 | 1 | Bracket-Pulley Upper |
| | 19 | 56382944 | 1 | Bracket-Pulley Lower |
| K1 | 20 | | 1 | Weldt-Hinge Lt |
| K1 | 21 | | 1 | Weldt-Hinge Rt |
| K2 | 22 | | 1 | Weldt-Fixed Panel |
| K2 | 23 | | 1 | Cover-Fixed Panel Stainless |
| K1 | 24 | | 2 | Cover-Hinge Stainless |
| K1 | 25 | | 1 | Bracket-Door Latch |
| K1,K2 | 26 | | 1 | Tape-Heavy Duty Adhesion 97in |
| K1 | 27 | | 1 | Leg Leveler 1/4-20 |
| K1 | 28 | | 1 | Latch Bracket Weldt |
| K1 | 29 | | 2 | Nut Plate |
| K1 | 30 | | 2 | Washer 3/8PL.Nylon |
| Service Kits | | | | |
| K1 | 56383124 | | 1 | Kit-Front Cover Brackets Fuell Cell |
| K2 | 56383125 | | 1 | Kit-Front Cover Fuell Cell |

CHASSIS SYSTEM-ENGINE COVER ASSEMBLY



CHASSIS SYSTEM-ENGINE COVER ASSEMBLY

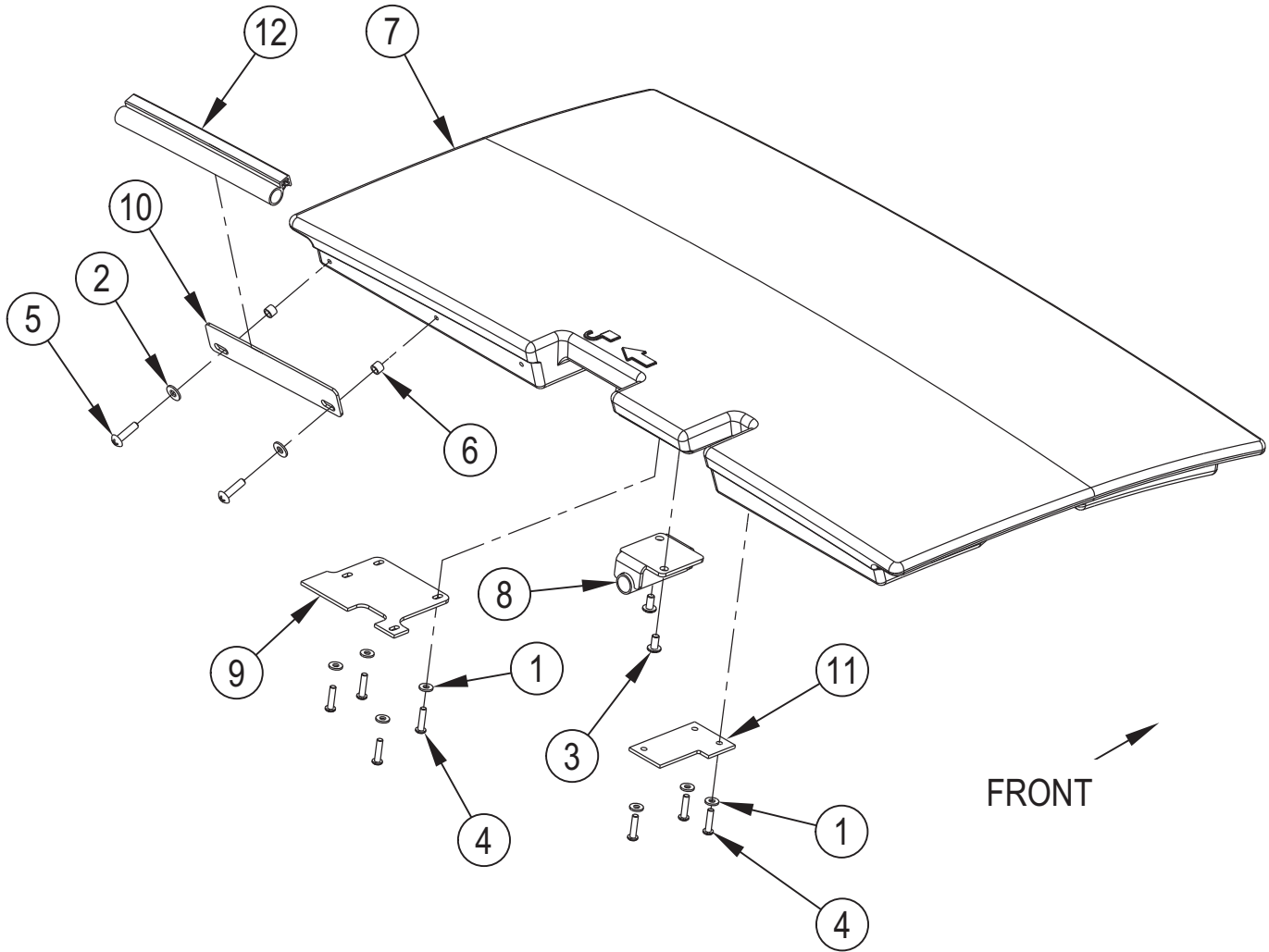
| Kit | Item | Ref. No. | Qty | Description |
|------------|-------------|-----------------|------------|-------------------------------------|
| | | 56511184 | 1 | Engine Cover Assy |
| K1 | 1 | | 7 | Wsh, Flt SAE #10 |
| K1 | 2 | | 2 | Wsh, Flt SAE 1/4 |
| K2 | 3 | | 2 | Scr, Pan Phil Loc 1/4-20 X .62 |
| K2 | 4 | | 2 | Scr, Hex Hd Loc 5/16-18x.75 |
| K1 | 5 | | 7 | Scr, Pan Phil Plastite 10-14 X .88 |
| K1 | 6 | | 2 | Scr, Pan Phil SS Type Ab 10-16x1.00 |
| K1 | 7 | | 2 | Bushing .26x.37x.28 |
| | 8 | 56509404 | 1 | Cover-Engine Rear |
| K2 | 9 | | 1 | Bracket-Gas Spring |
| K2 | 10 | | 1 | Latch Strike Weldt |
| K1 | 11 | | 1 | Shield |
| K1 | 12 | | 1 | Plate-Seal |
| K1 | 13 | | 1 | Shield |
| K1 | 14# | | 1 | Gasket-Bulb Seal-6.75 In |

Service Kits

| | | | |
|----|----------|---|-----------------------|
| K1 | 56510840 | 1 | Seal Kit-Engine Cover |
| K2 | 56510841 | 1 | Latch Strike Kit |

= Revised or new since last update

CHASSIS SYSTEM-FUEL CELL ENGINE COVER ASSEMBLY



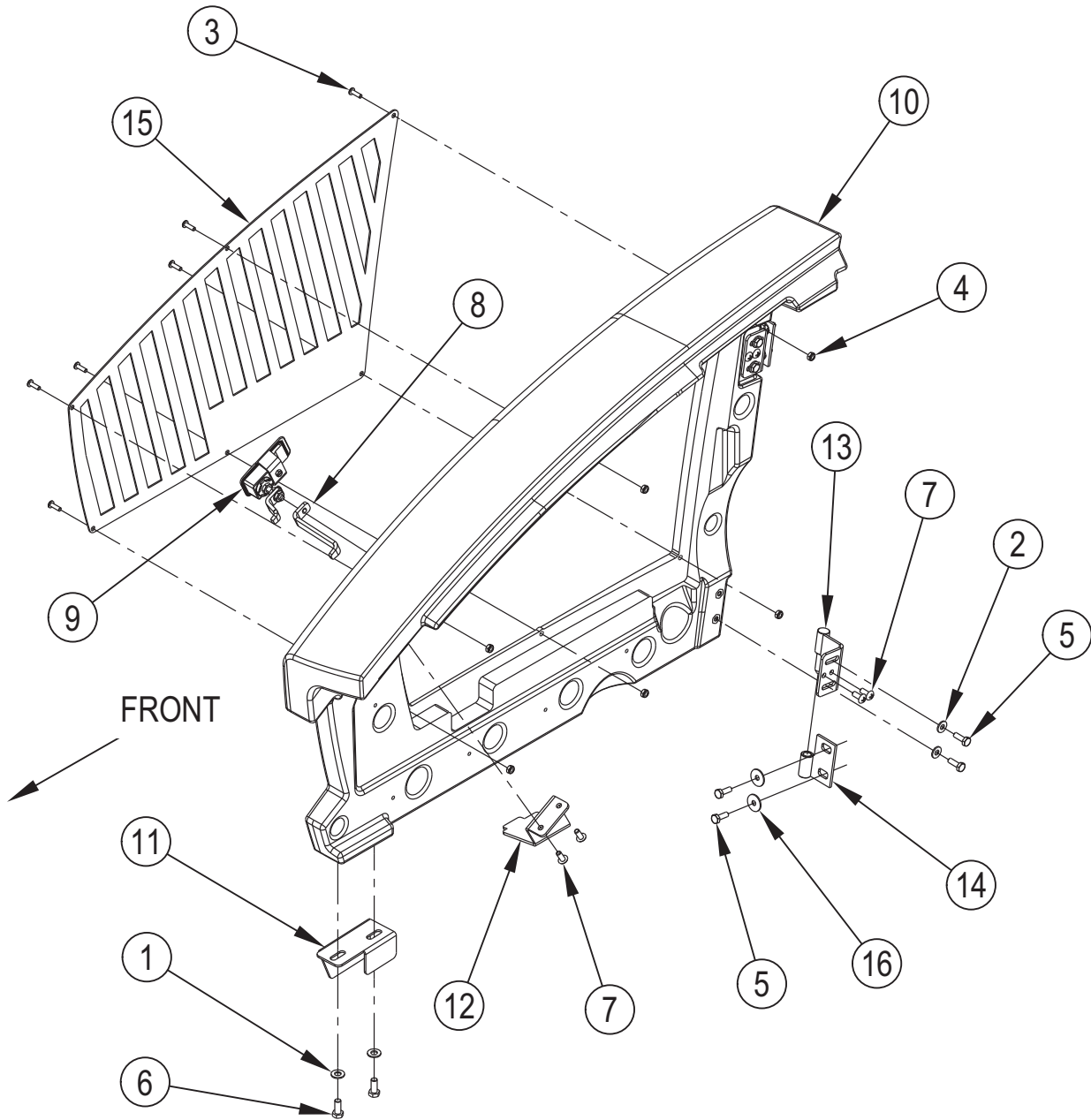
CHASSIS SYSTEM-FUEL CELL ENGINE COVER ASSEMBLY

| Kit | Item | Ref. No. | Qty | Description |
|-----|------|----------|-----|-------------------------------------|
| | | 56382971 | 1 | Engine Cover Assy-CS7000 FC |
| K1 | 1 | | 7 | Wsh, Flt SAE #10 |
| K1 | 2 | | 2 | Wsh, Flt SAE 1/4 |
| K2 | 3 | | 2 | Scr, Pan Phil Loc 1/4-20 X .62 |
| K1 | 4 | | 7 | Scr, Pan Phil Plastite 10-14 X .88 |
| K1 | 5 | | 2 | Scr, Pan Phil SS Type Ab 10-16x1.00 |
| K1 | 6 | | 2 | Bushing .26x.37x.28 |
| | 7 | 56509404 | 1 | Cover-Engine Rear |
| K2 | 8 | | 1 | Latch Strike Weldt |
| K1 | 9 | | 1 | Shield |
| K1 | 10 | | 1 | Plate-Seal |
| K1 | 11 | | 1 | Shield |
| K1 | 12 | | 1 | Bulb Seal |

Service Kits

| | | | |
|----|----------|---|-----------------------|
| K1 | 56510840 | 1 | Seal Kit-Engine Cover |
| K2 | 56510841 | 1 | Latch Strike Kit |

CHASSIS SYSTEM-RIGHT DOOR ASSEMBLY



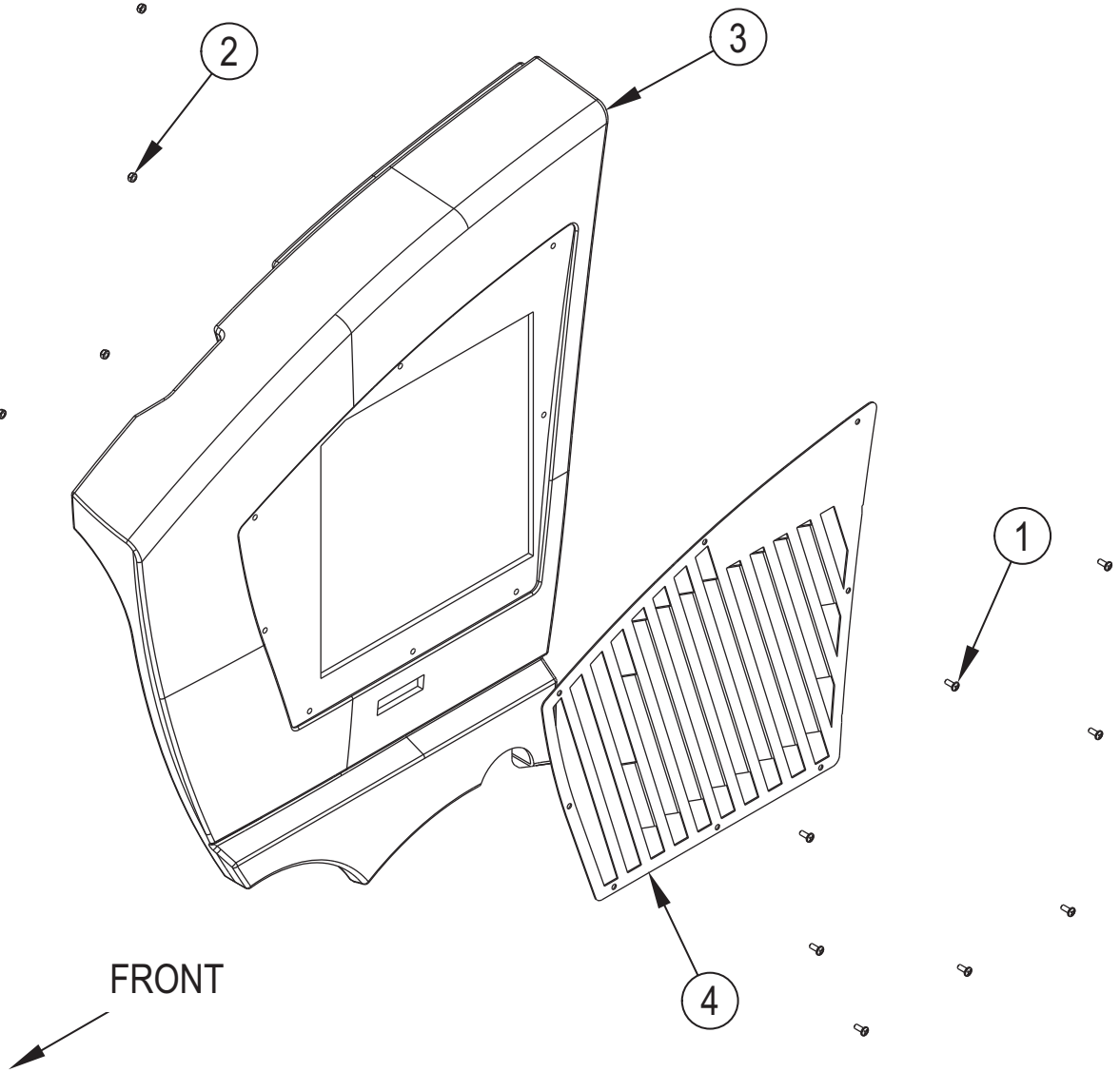
CHASSIS SYSTEM-RIGHT DOOR ASSEMBLY

| <u>Kit</u> | <u>Item</u> | <u>Ref. No.</u> | <u>Qty</u> | <u>Description</u> |
|------------|-------------|-----------------|------------|------------------------------------|
| | | 56511182 | 1 | Right Door Assy |
| K2 | 1 | | 2 | Wsh, Flt SAE 5/16 |
| K1 | 2 | | 4 | Wsh, Flt SAE 1/4 |
| | 3 | 56002896 | 6 | Scr-Pan Phil SS 10-24 X .62 |
| | 4 | 56002849 | 6 | Nut, Hex Nyl Loc-Thin SS 10-24 |
| K1 | 5 | | 8 | Scr-Hex Hd Loc 1/4-20x.62 |
| K2 | 6 | | 2 | Scr-Hex Hd Loc 5/16-18x.62 |
| K1,K2 | 7 | | 6 | Scr Panphil SS Type B 1/4-14 X .62 |
| K2 | 8 | | 1 | Cam-Latch |
| K2 | 9 | | 1 | Latch-Lift & Turn |
| | 10 | 56509010 | 1 | Door-Right |
| K2 | 11 | | 1 | Bracket-Door |
| K2 | 12 | | 1 | Bracket-Bumper |
| K1 | 13 | | 2 | Upper Hinge Weldt |
| K1 | 14 | | 2 | Lower Hinge Weldt |
| | 15 | 56510632 | 1 | Grille-Right |
| K1 | 16 | | 4 | Washer Flat .266x.906x.060 |

Service Kits

| | | | |
|----|----------|---|----------------------|
| K1 | 56510789 | 1 | Hinge Kit-Rt Door |
| K2 | 56509013 | 1 | Right Door Latch Kit |

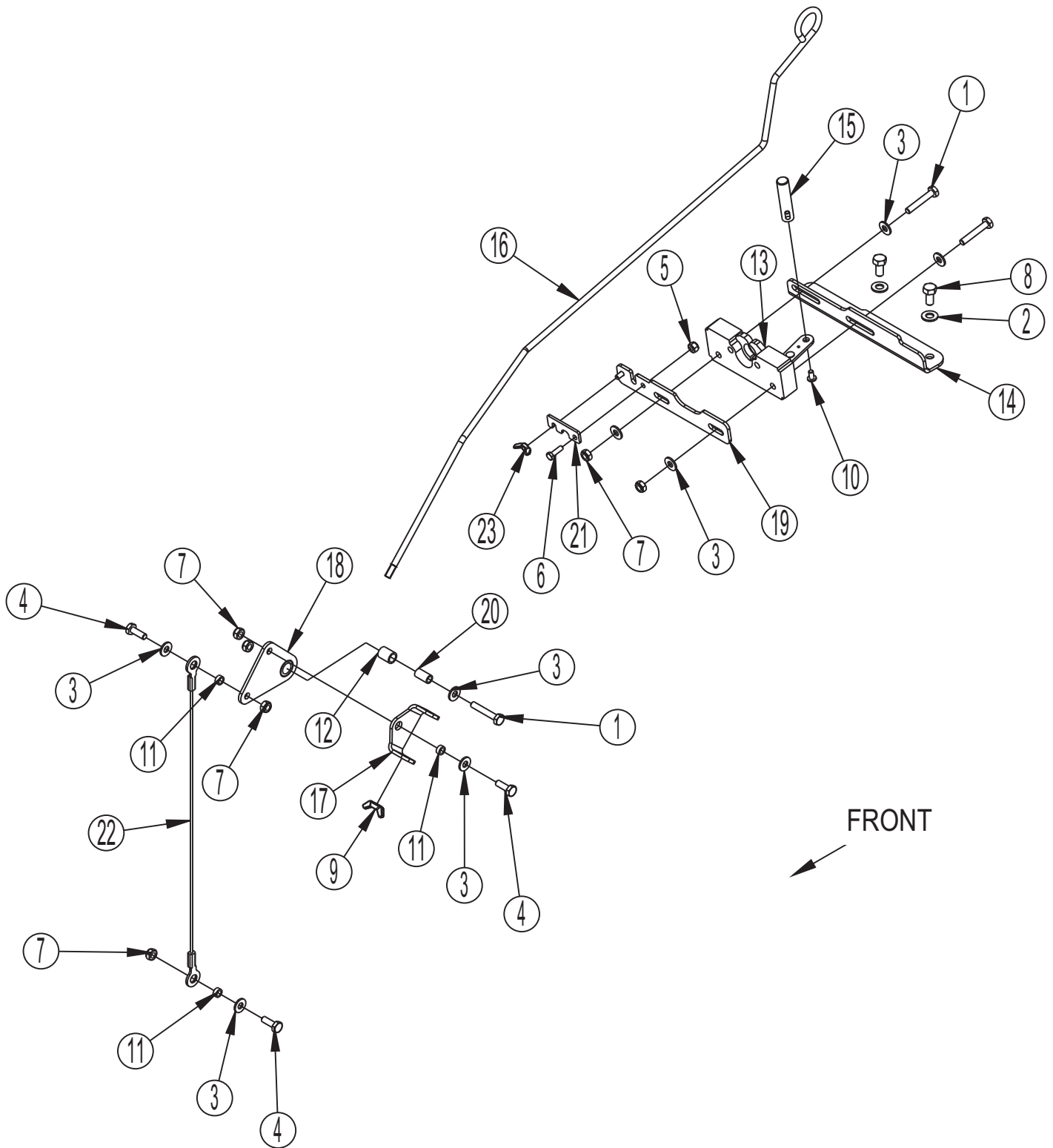
CHASSIS SYSTEM-LEFT COVER ASSEMBLY



CHASSIS SYSTEM-LEFT COVER ASSEMBLY

| Kit | Item | Ref. No. | Qty | Description |
|------------|-------------|-----------------|------------|---------------------------------|
| | | 56509851 | 1 | Left Cover Assy |
| | 1 | 56002989 | 8 | Scr-Pan Phil SS 1/4-20 X .62 |
| | 2 | 56002850 | 8 | Nut, Hex Nyl Loc-Thin SS 1/4-20 |
| | 3 | 56509852 | 1 | Cover-Left |
| | 4 | 56510606 | 1 | Grille |

CHASSIS SYSTEM-PULL ROD ASSEMBLY



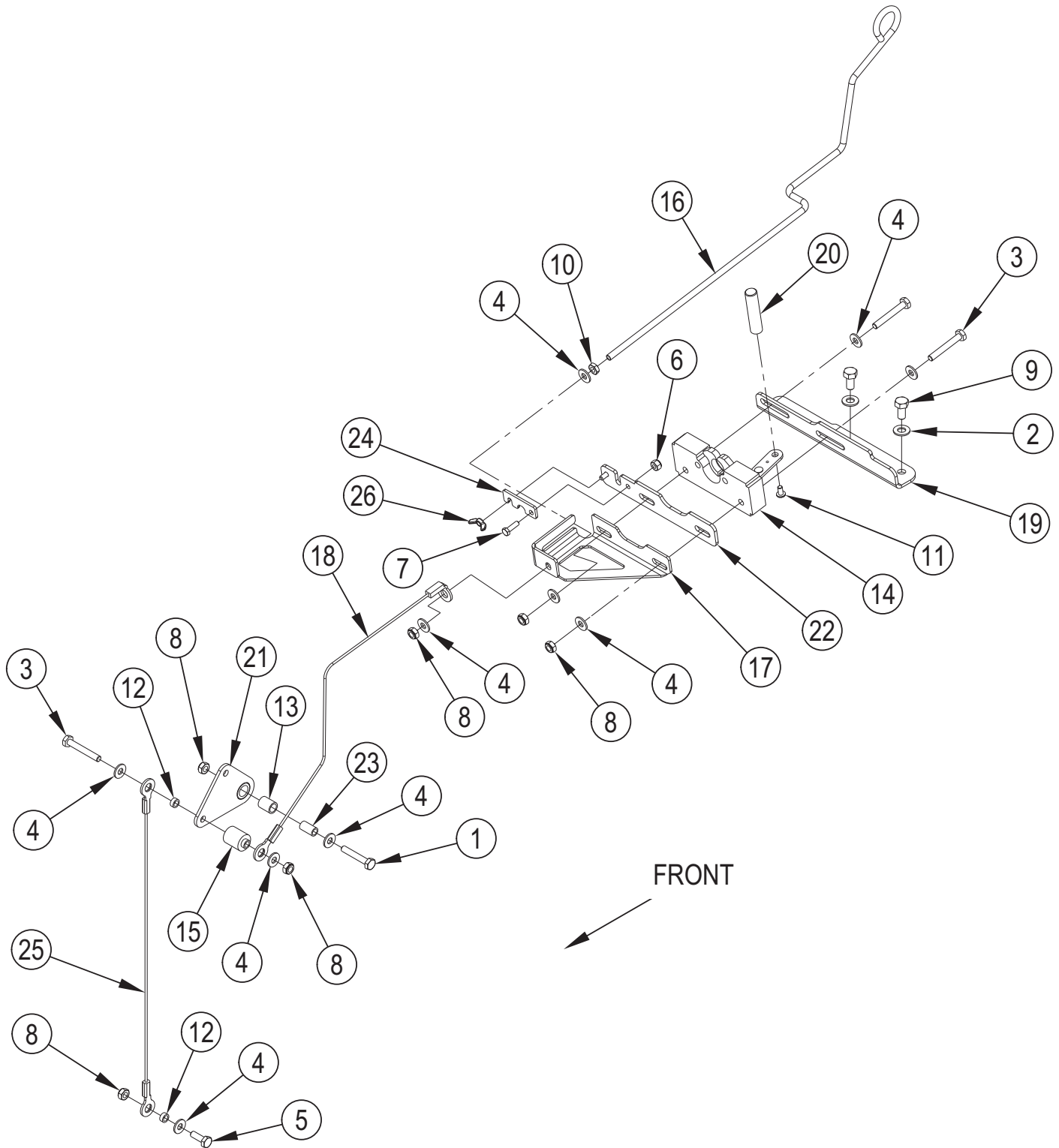
CHASSIS SYSTEM-PULL ROD ASSEMBLY

| <u>Kit</u> | <u>Item</u> | <u>Ref. No.</u> | <u>Qty</u> | <u>Description</u> |
|------------|-------------|-----------------|------------|-------------------------------|
| | | 56511183 | 1 | Pull Rod Assy |
| K1,K2 | 1 | | 3 | Scr, Hex 1/4-20 X 1.50 |
| K1 | 2 | | 2 | Wsh, Flt SAE 5/16 |
| K1,K2 | 3 | | 8 | Wsh, Flt SAE 1/4 |
| K2 | 4 | | 3 | Scr, Hex 1/4-20 X .75 |
| K1 | 5 | | 1 | Nut, Hex Nyl Loc 10-24 |
| K1 | 6 | | 1 | Scr, Hex 10-24 X .62 |
| K1,K2 | 7 | | 6 | Nut, Hex Nyl Loc-Thin 1/4-20 |
| K1 | 8 | | 2 | Scr,Hex Hd Loc 5/16-18x.62 |
| K2 | 9 | | 1 | Nut, Wing Loc 1/4-20 |
| K1 | 10 | | 1 | Scr, Pan Phil Loc 10-24 X .38 |
| K2 | 11 | | 3 | Bushing |
| K2 | 12 | | 1 | Bearing, .500 X .375 X .625 |
| K1 | 13 | 56304826 | 1 | Latch, Lh |
| K1 | 14 | | 1 | Bracket-Latch |
| K1 | 15 | | 1 | Pin |
| | 16 | 56509865 | 1 | Pull Rod |
| K2 | 17 | | 1 | Yoke-Pull Rod |
| K2 | 18 | | 1 | Pivot Weldt |
| K1 | 19 | | 1 | Bracket-Pull Rod |
| K2 | 20 | | 1 | Bushing-.265 X .375 X .700 |
| K1 | 21 | | 1 | Retainer-Pull Rod |
| K2 | 22 | | 1 | Cable Assy |
| K1 | 23 | | 1 | Nut, Wing 10-24 |

Service Kits

| | | | |
|----|----------|---|------------------------|
| K1 | 56510732 | 1 | Latch Kit-Engine Cover |
| K2 | 56510733 | 1 | Pivot Kit-Pull Rod |

CHASSIS SYSTEM-FUEL CELL PULL ROD ASSEMBLY



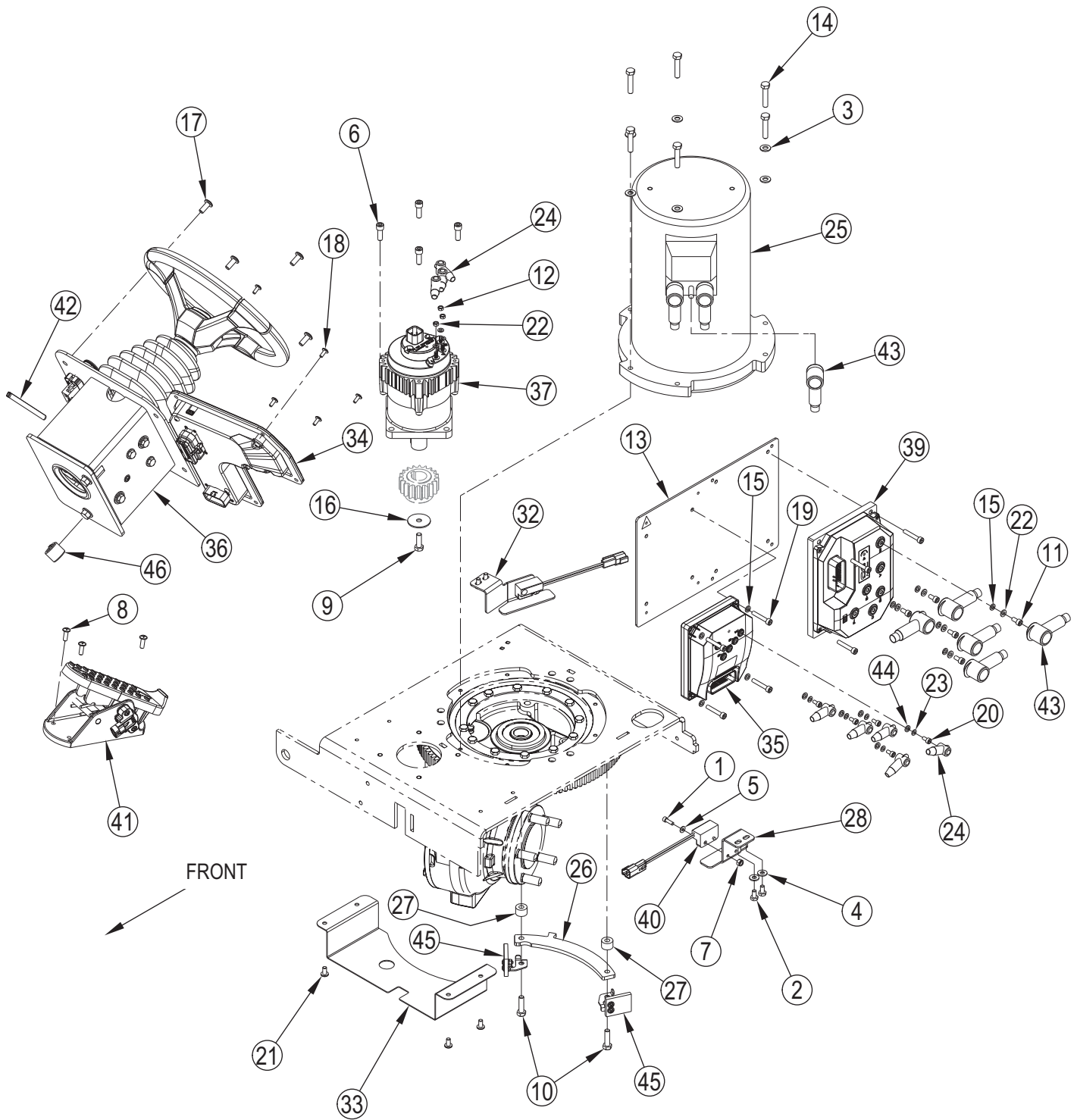
CHASSIS SYSTEM-FUEL CELL PULL ROD ASSEMBLY

| Kit | Item | Ref. No. | Qty | Description |
|-------|------|----------|-----|------------------------------|
| | | 56382967 | 1 | Pull Rod Assy-CS7000 FC |
| K1,K2 | 1 | | 1 | Scr-Hex 1/4-20 X 1.50 |
| K1 | 2 | | 2 | Wsh, Flt SAE 5/16 |
| K2 | 3 | | 3 | Scr-Hex 1/4-20 X 1.75 |
| K1,K2 | 4 | | 10 | Wsh, Flt SAE 1/4 |
| K2 | 5 | | 1 | Scr-Hex 1/4-20 X .75 |
| K1 | 6 | | 1 | Nut, Hex Nyl Loc 10-24 |
| K1 | 7 | | 1 | Scr-Hex 10-24 X .62 |
| K1,K2 | 8 | | 6 | Nut, Hex Nyl Loc-Thin 1/4-20 |
| K1 | 9 | | 2 | Scr-Hex Hd Loc 5/16-18x.62 |
| | 10 | 56009087 | 1 | Nut, Hex Jam 1/4-20 |
| K1 | 11 | | 1 | Scr-Pan Phil Loc 10-24 X .38 |
| K2 | 12 | | 2 | Bushing |
| K2 | 13 | | 1 | Bearing, .500 X .375 X .625 |
| K1 | 14 | | 1 | Latch, Lh |
| K2 | 15 | | 1 | Bushing |
| | 16 | 56382927 | 1 | Pullrod |
| | 17 | 56382932 | 1 | Bracket-Pull Rod |
| K2 | 18 | | 1 | Cable Assy-Formed End |
| K1 | 19 | | 1 | Bracket-Latch |
| K1 | 20 | | 1 | Pin |
| K2 | 21 | | 1 | Pivot Weldt |
| K1 | 22 | | 1 | Bracket-Pull Rod |
| K2 | 23 | | 1 | Bushing .265 X .375 X .700 |
| K1 | 24 | | 1 | Retainer-Pull Rod |
| K2 | 25 | | 1 | Cable Assy |
| K1 | 26 | | 1 | Nut, Wing 10-24 |

Service Kits

| | | | |
|----|----------|---|------------------------------|
| K1 | 56510732 | 1 | Latch Kit-Engine Cover |
| K2 | 56383122 | 1 | Pivot Kit-Pull Rod Fuel Cell |

CONTROL SYSTEM



CONTROL SYSTEM

| Kit | Item | Ref. No. | Qty | Description |
|------------|-------------|-----------------|------------|--|
| K2 | 1 | | 2 | Scr-Soc Hd 10-24 X 0.62 |
| K2 | 2 | | 4 | Scr-Hex 1/4-20 X .50 |
| K2,K3 | 3 | | 6 | Wsh, Flt Sae 5/16 |
| K2 | 4 | | 4 | Wsh, Flt Sae 1/4 |
| K2 | 5 | | 2 | Wsh, Flt Sae #8 |
| K2 | 6 | | 4 | Scr-Soc Hd 5/16-18 X 0.88 |
| K2 | 7 | | 2 | Nut, Hex Nyl Loc 10-24 |
| K1,K2 | 8 | | 3 | Scr-Pan Phil Ss 1/4-20 X .75 |
| K2 | 9 | | 1 | Scr, Hex Thd To Hd M8-1.25 X 25mm |
| K2 | 10 | | 2 | Scr-Hex Loc Ss M8-1 X 30mm |
| K2 | 11 | | 5 | Scr Soc Thd To Hd M6 X 12.0 |
| K2 | 12 | | 3 | Nut-Hex M6-1 |
| | 13 | 56511715 | 1 | Panel-Controller Heat Sink |
| K2,K3 | 14 | | 6 | Scr-Hex Ss M8-1.25 X 40mm |
| K2 | 15 | | 9 | Wsh, Flt 6.4m X 11mm X 1.6mm |
| K2 | 16 | | 1 | Wsh-Flt Ss .344 X 1.500 X .080 |
| K2 | 17 | | 4 | Scr-Pan Phil Blk 5/16-18 X .75 |
| K2 | 18 | | 5 | Scr-Truss Phil Ss Blk10-24x.50 |
| K2 | 19 | | 8 | Scr Soc M6-1.0x35 |
| K2 | 20 | | 5 | Scr Soc M5-0.8x10 |
| K2 | 21 | | 4 | Scr-Pan Phil Loc Ss 1/4-20x.50 |
| K2 | 22 | | 8 | Wsh Int Shprf 6mm |
| K2 | 23 | | 5 | Wsh Int Shprf 5mm |
| | 24 | 56409538 | 8 | Insulator, Terminal |
| K3 | 25 | | 1 | Motor-Traction M9 |
| | [] | 56510852 | 1 | Sensor-Speed (for 56510737) |
| | [] | 56510853 | 1 | Sensor-Thermal (for 56510737) |
| | 26 | 56509435 | 1 | Cam-Steering |
| | 27 | 56509436 | 2 | Spacer 0.332x0.75x0.50 |
| K4 | 28# | 56511959 | 1 | Bracket-Sensor Mount-Lt |
| | [29] | 56510210 | 1 | Cable-U 1 Awg X 13.75 |
| | [30] | 56510211 | 1 | Cable-V 1 Awg X 16.00 |
| | [31] | 56510212 | 1 | Cable-W 1 Awg X 19.00 |
| K4 | 32# | 56511960 | 1 | Bracket-Sensor Mount-Rt |
| | 33 | 56511140 | 1 | Shield-Splash |
| | 34 | 56511588 | 1 | Control Board Assy A1 |
| | 35 | 56511598 | 1 | Controller-Steering Motor A5 |
| | 36 | | 1 | Tilt Steering Assembly |
| | 37 | 56511657 | 1 | Motor-Steering M10 |
| | [38] | 56511667 | 1 | Harness-Steering Motor |
| | 39 | 56511698 | 1 | Controller-Traction Drive A4 |
| | 40 | 56511830 | 2 | Sensor-Proximity SW11 / SW12 |
| K1 | 41 | | 1 | Foot Pedal Assy R4 |
| | 42 | 2-00-04345 | 1 | Ty-Rap Thomas+Betts-Ty-28m |
| | 43 | 56493357 | 8 | Insulator Terminal |
| K2 | 44 | | 5 | Wsh Flt Sae 10 |
| K4 | 45# | 56511966 | 2 | Sensor Sweep Assy |
| | 46 | 56496276 | 1 | Clamp, Hose Support |

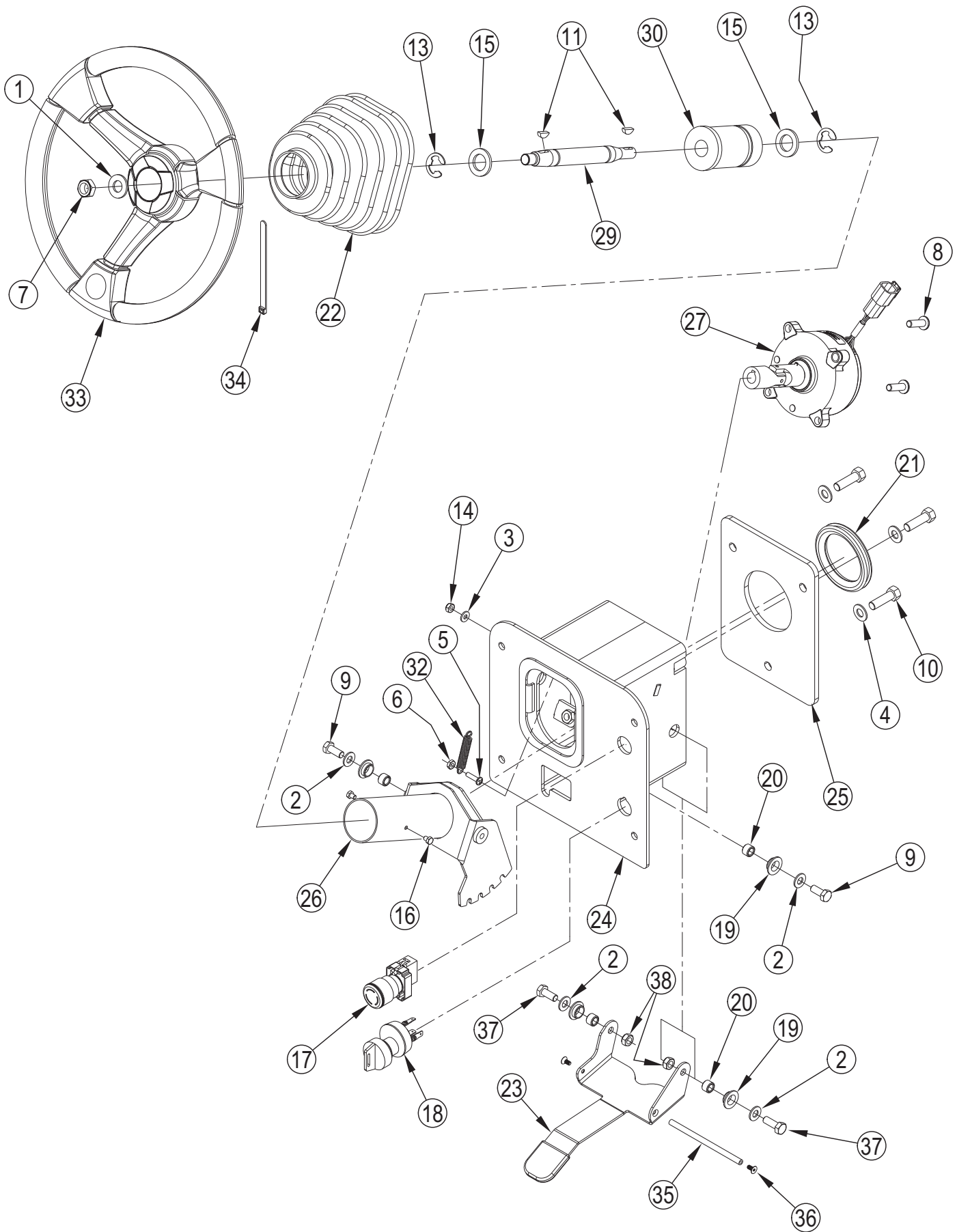
Service Kits

| | | | |
|-----|----------|---|-----------------------------|
| K1 | 56510792 | 1 | Foot Pedal Kit |
| K2 | 56511884 | 1 | Hardware Kit-Control System |
| K3 | 56510737 | 1 | Motor Kit-Drive |
| K4# | 56511968 | 1 | Sensor Sweep Kit |

[] = Not Shown

= Revised or new since last update

CONTROL SYSTEM-STEERING ASSEMBLY

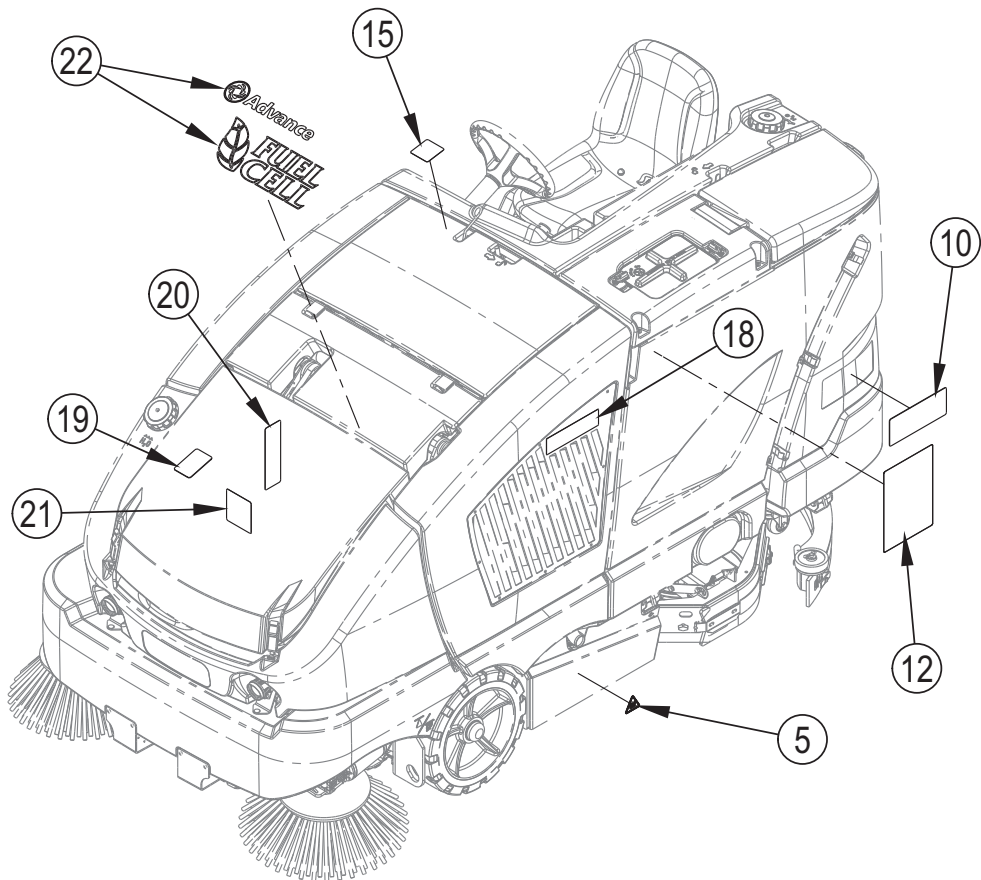
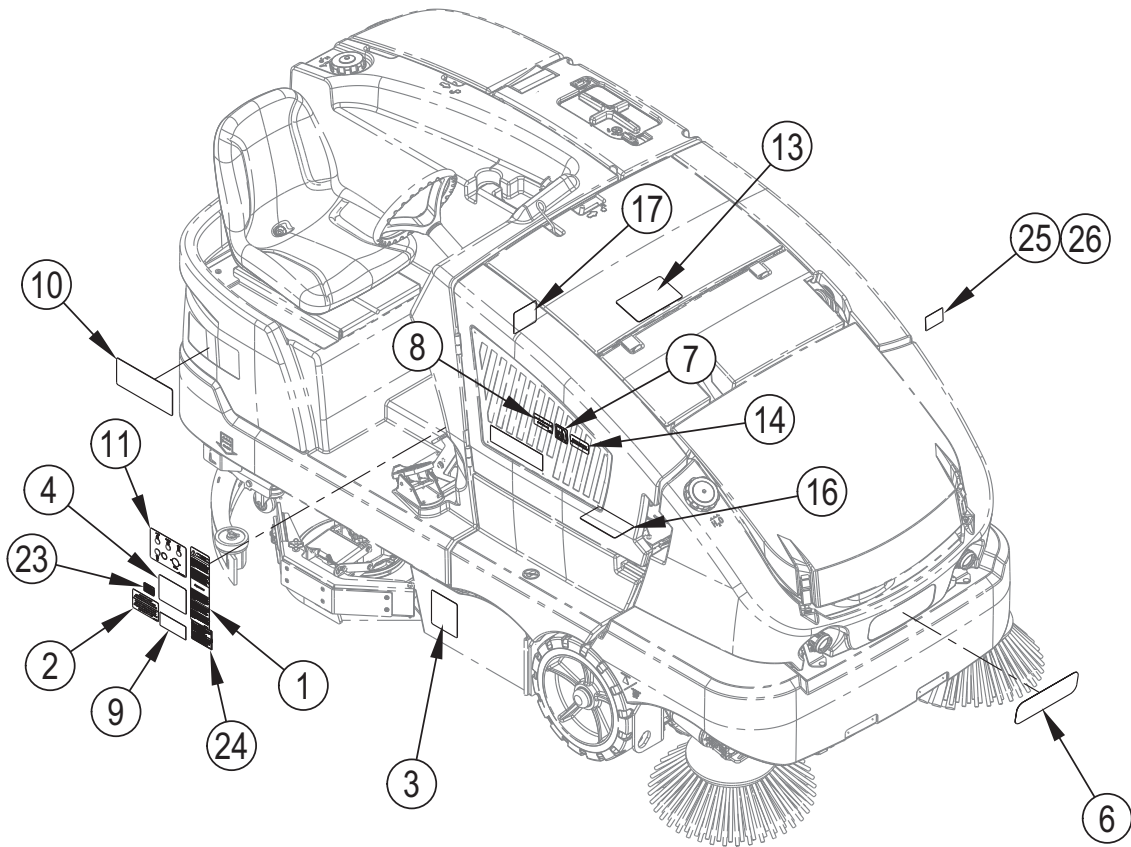


CONTROL SYSTEM-STEERING ASSEMBLY

| Kit | Item | Ref. No. | Qty | Description |
|------------|---------------------|-----------------|------------|---|
| K1,K2 | 1 | | 1 | Wsh-Flt Sae 1/2 |
| K1 | 2# | | 4 | Wsh, Flt Sae 5/16 |
| K1 | 3 | | 1 | Wsh, Flt Sae #10 |
| K1 | 4 | | 3 | Wsh, Flt Sae 3/8 |
| K1 | 5 | | 1 | Scr-Pan Phil 10-24 X .62 |
| K1 | 6 | | 1 | Nut Hex Machine 10-24 |
| K1,K2 | 7 | | 1 | Nut, Hex Nyl Loc-Thin 1/2-13 |
| K1 | 8 | | 3 | Scr-Pan Phil Loc 5/16-18 X 1.00 |
| K1 | 9# | | 2 | Scr-Hex Hd Loc 5/16-18x.75 |
| K1 | 10 | | 3 | Scr-Hex Hd Loc 3/8-16x1.25 |
| K1,K2,K311 | | | 2 | Key, Wdf .62 X .19 TSB-FC-2018-002 |
| | 12# | | | DELETED |
| K1,K2 | 13 | | 2 | Circlip Xeb .750 |
| K1 | 14 | | 1 | Nut Hex Nyl Loc-Thin 10-24 |
| K1,K2 | 15 | | 2 | Wsh, Flt .754 X 1.250 X .120 |
| K1 | 16 | | 2 | Scr, Hex Thd Form 10-24 X .25 |
| | 17 | 56104247 | 1 | Emergency Disconnect SW2 |
| | 18 | 56111109 | 1 | Key Switch Assembly SW1 |
| | 19 | 56413211 | 4 | Bearing, Flange .625 X .500 X .250 |
| | 20 | 56413801 | 4 | Bushing .32x.50x.35 |
| | 21 | 56459362 | 1 | Grommet |
| | 22 | 56509255 | 1 | Boot-Steering |
| | 23 | 56511602 | 1 | Tilt Lever Weldment |
| | 24 | 56511603 | 1 | Steering Mount Weldment |
| | 25 | 56511604 | 1 | Bracket-Steering Cover-Rear |
| | 26 | 56511610 | 1 | Steering Column Weldment |
| | 27# | 56394105 | 1 | Tfd/U-Joint Assy E1 |
| | 28# | | | DELETED |
| K2,K3 | 29 | | 1 | Shaft-Steering TSB-FC-2018-002 |
| K2 | 30 | | 1 | Bushing-Steering |
| | 31# | | | DELETED |
| | 32 | 56511756 | 1 | Spring-Extension-0.37x2.00in |
| | 33 | 56511869 | 1 | Steering Wheel |
| | 34 | 56383974 | 1 | 15.35 In Cable Tie Blk Nylon |
| | 35 | 56511942 | 1 | Bar-Locking |
| K1 | 36# | | 2 | Scr Flt Phil 8-32 X .38 |
| | 37# | 56002037 | 2 | Scr Hex 5/16-18 X .88 |
| | 38# | 56002826 | 2 | Nut Hex Nyl Loc-Thin 5/16-18 |
| | Service Kits | | | |
| K1 | 56511892 | | 1 | Hardware Kit-Steering Assy |
| K2 | 56511893 | | 1 | Steering Shaft Kit-W/ Bushing |
| K3 | 56511963 | | 1 | Steering Shaft Kit-W/O Bushing |

= Revised or new since last update

DECAL SYSTEM

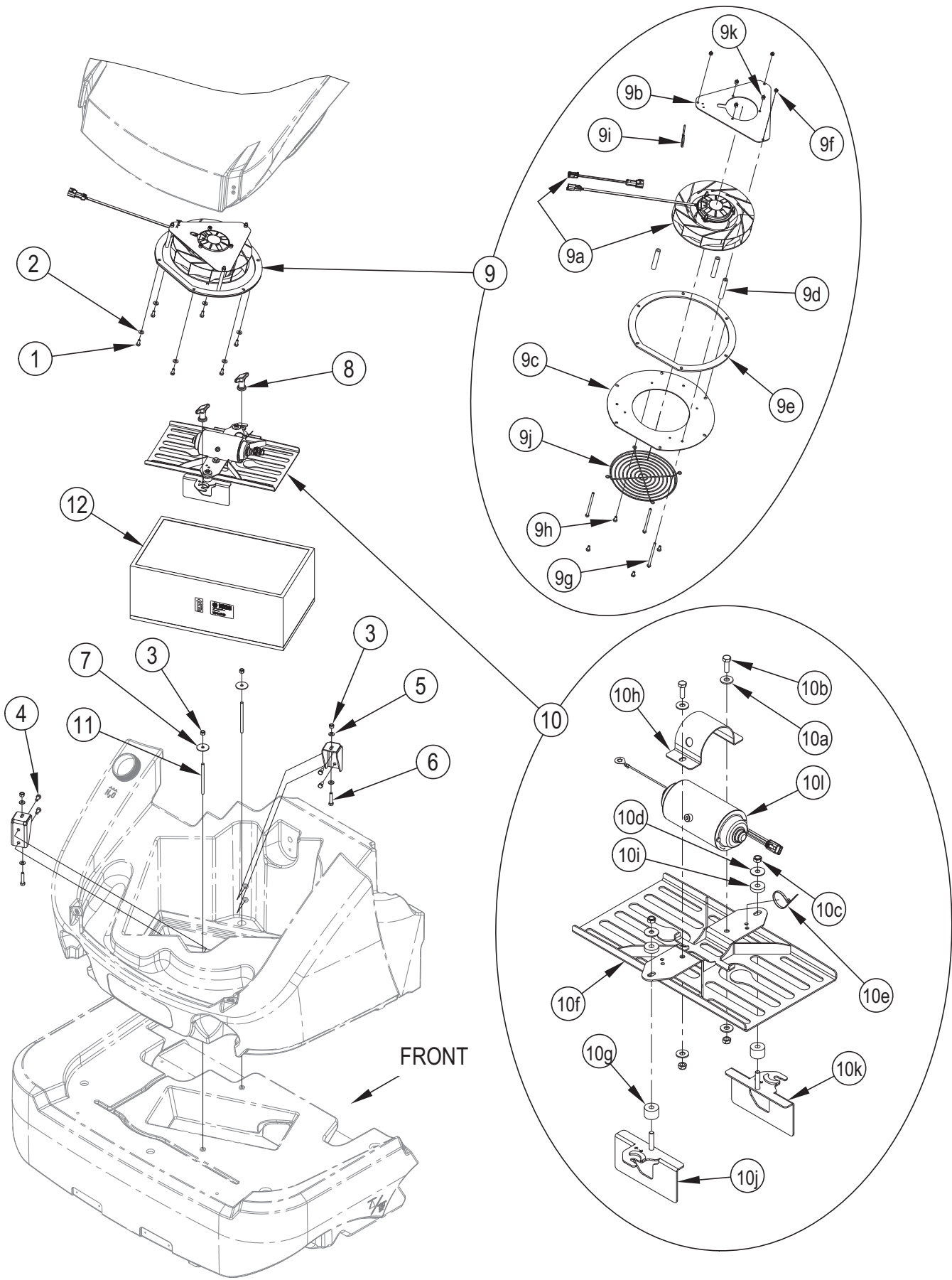


DECAL SYSTEM

| Kit | Item | Ref. No. | Qty | Description |
|---------------------|-------------|-----------------|------------|---|
| K1,K2 | 1 | | 1 | Decal-Caution |
| K1 | 2 | | 1 | Decal-LPG |
| K1,K2 | 3 | | 1 | Decal-Warning Broom |
| K1,K2 | 4 | | 1 | Decal, Warning Tip Over |
| K1 | 5 | | 1 | Decal-Warning Hot (Gasoline-Petrol-LPG & Diesel) |
| K1,K2 | 6 | | 1 | Decal-Advance |
| K1 | 7 | | 1 | Decal-Diesel Fuel |
| K1 | | | 1 | Decal-Unleaded Fuel (Gasoline-Petrol) |
| K1 | 8 | | 1 | Decal-Low Sulfur Diesel |
| K1 | 9 | | | Decal-Exhaust (Gasoline-Petrol-LPG & Diesel) |
| K1,K2 | 10 | | 2 | Decal-CS7010 |
| K1,K2 | | | 2 | Decal-CS7010 Ecoflex |
| K1,K2 | 11 | | 1 | Decal-Circuit Breaker |
| K1,K2 | 12 | | 1 | Decal-Contactor Power Module (on panel behind recovery tank) |
| K1 | 13 | | 1 | Decal-Battery Wiring (Battery) |
| K1 | 14 | | 1 | Decal-Swing Out Tank (Diesel) |
| K1,K2 | 15 | | 1 | Decal-Hopper Safety Support |
| K1 | 16 | | 1 | Decal-Battery Wiring |
| K1 | 17 | | 1 | Decal-Belt Removal Tool |
| K1 | 18 | 56510650 | 2 | Decal-Hybrid Embossed (Gasoline-Petrol-LPG & Diesel) |
| K1 | | 56510748 | 2 | Decal-E Power Embossed (Battery) |
| K2 | | | 2 | Decal-Fuel Cell Embossed (Fuel Cell) |
| K1,K2 | 19 | | 1 | Decal-Filter Shaker Hanger |
| K1,K2 | 20 | | 1 | Decal-Warning Hopper |
| K1,K2 | 21 | | 1 | Decal-Warning Hydraulic |
| K2 | 22 | | 1 | Decal-Fuel Cell |
| | 23# | 56394259 | 1 | Decal-Prop 65 |
| | 24# | 56394260 | 1 | Decal-Prop 65 Diesel |
| | 25# | 56511253 | 1 | Label-Carb Epa |
| | 26# | 56394264 | 1 | Label-Epa Emissions-Diesel |
| Service Kits | | | | |
| K1 | 56511894 | | 1 | Decal Kit-Advance |
| K2 | 56511896 | | 1 | Decal Kit-Fuel Cell |

= Revised or new since last update

DUST CONTROL SYSTEM



DUST CONTROL SYSTEM

| Kit | Item | Ref. No. | Qty | Description |
|------------|-------------|-----------------|------------|--------------------------------------|
| K1 | 1 | | 6 | Scr. Hex 1/4-20 X .62 |
| K1 | 2 | | 6 | Wsh, Flt SAE 1/4 |
| K2,K3 | 3 | | 4 | Nut, Hex Nyl Loc SS 5/16-18 |
| K2 | 4 | | 4 | Scr-Hex Loc SS 5/16-18 X .62 |
| K2 | 5 | | 4 | Wsh-Flt SAE SS 5/16 |
| K2 | 6 | | 2 | Scr- Hex Thd to Hd SS 5/16-18 X 1.75 |
| K3 | 7 | | 2 | Wsh-Flt SS .344 X 1.500 X .080 |
| | 8 | 56370711 | 2 | Nut Thumb |
| K1 | 9 | | 1 | Impeller Assy |
| K1 | 9a | 56511926 | 1 | Impeller/Adapter Cable Kit M2 |
| K1 | 9b | | 1 | Plate-Support |
| K1 | 9c | | 1 | Plate-Impeller |
| K1 | 9d# | | 3 | Spacer-.44x.31x3.19 |
| K1 | 9e | 33023192 | 1 | Gasket |
| K1 | 9f# | | 3 | Nut Hex Nyl Loc-Thin 1/4-20 |
| K1 | 9g# | | 3 | Scr Hex 1/4-20 X 3.75 |
| K1 | 9h | | 4 | Scr, Hex Thd Form 1/4-20 X .50 |
| K1 | 9i | | 1 | Tie, Cable |
| K1 | 9j | | 1 | Protection Grate |
| K1 | 9k# | | 3 | Nut-Hex Nyl Loc M6-1 |
| | 10 | 56509762 | 1 | Filter Shaker Assy |
| | 10a | 56002220 | 4 | Wsh, Flt Std 5/16 |
| | 10b | 56002221 | 2 | Scr, Hex 5/16-18 X 1.00 |
| K4,K5 | 10c | | 4 | Nut, Hex Nyl Loc-Thin 5/16-18 |
| K5 | 10d | | 2 | Wsh-Flt SS .33 X 1.00 X.060 |
| K5 | 10e | | 1 | Tie, Cable |
| K5 | 10f | | 1 | Filter Shaker Weldt |
| K5 | 10g | | 2 | Isolator |
| | 10h | 56510310 | 1 | Clamp-Shaker Motor |
| K5 | 10i | | 2 | Wsh-Rubber .34x1.00x.25 |
| K5 | 10j | | 1 | Filter Clamp Weldt |
| K5 | 10k | | 1 | Filter Clamp Weldt |
| K4 | 10l | | 1 | Motor-36vdc-Filter Shaker M8 |
| | 11 | 56510253 | 2 | Rod-Threaded |
| | 12 | 56510354 | 1 | Filter-Rectangular Synthetic |
| K2 | 13 | | 2 | Bracket-Filter Tie Down |

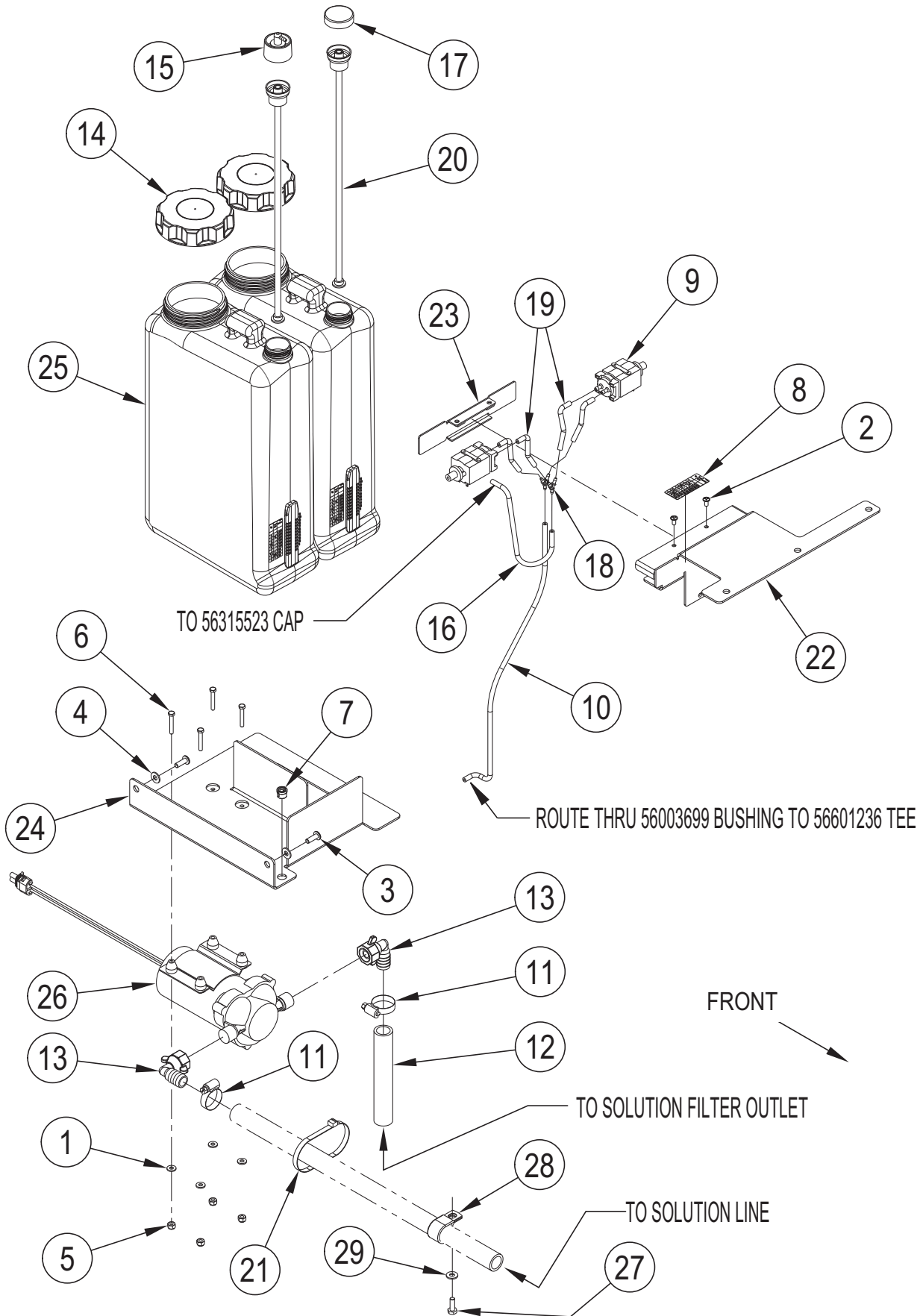
Service Kits

| | | | |
|----|----------|---|----------------------------------|
| K1 | 56511923 | 1 | Impeller Kit-Hopper |
| K2 | 56510779 | 1 | Bracket Kit-Filter Tie Down |
| K3 | 56510783 | 1 | Hardware Kit-Dust Control System |
| K4 | 56511367 | 1 | Motor Kit-Shaker |
| K5 | 56510788 | 1 | Filter Shaker Kit |

* = Optional, Not Included

= Revised or new since last update

ECOFLEX™ ASSEMBLY



ECOFLEX™ ASSEMBLY

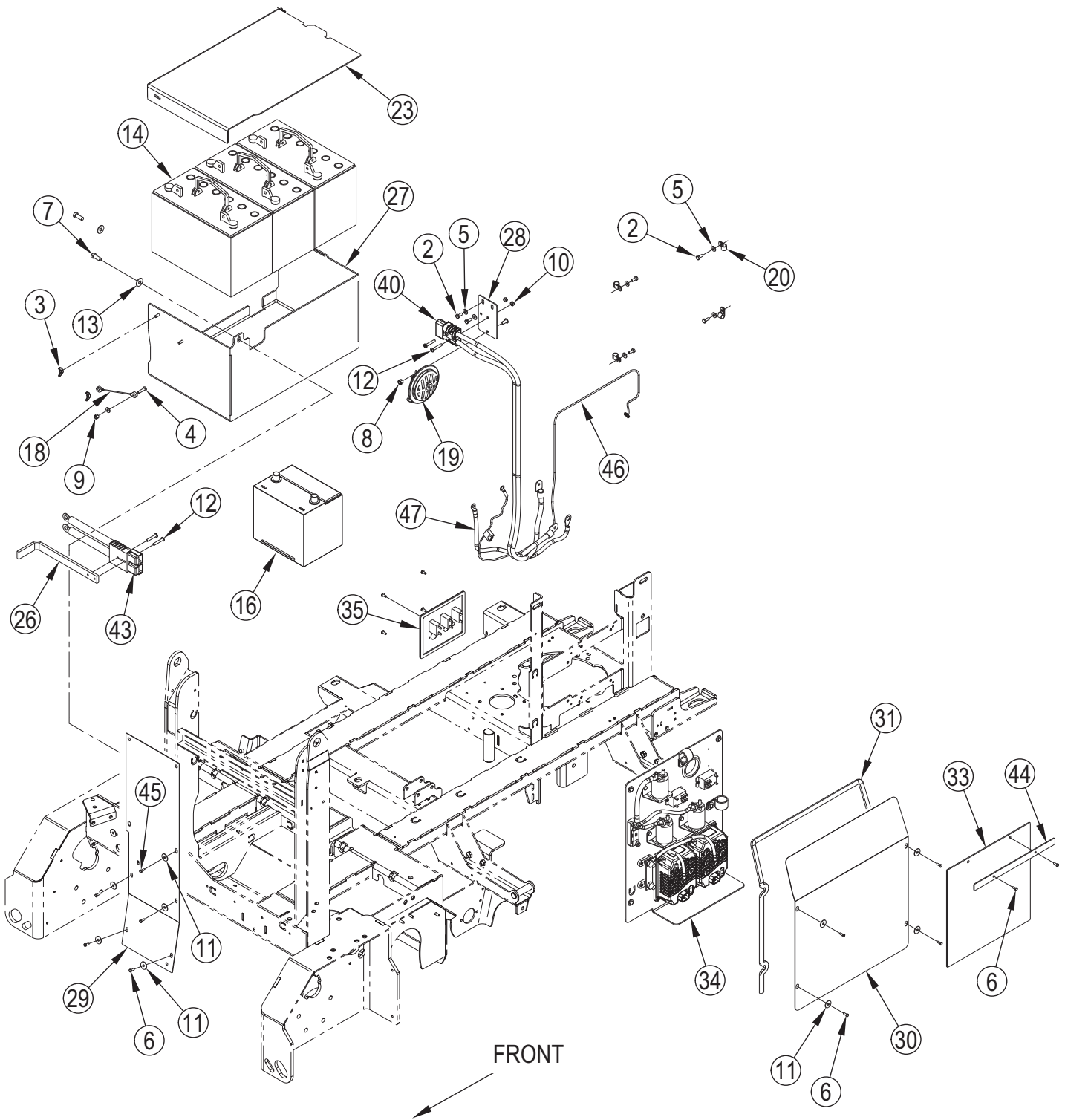
| Kit | Item | Ref. No. | Qty | Description |
|------------|-------------|-----------------|------------|---------------------------------------|
| | | 56511838 | 1 | Onboard Chemical Assy (1-26) |
| K2 | 1 | | 4 | Wsh, Flt Sae #10 |
| K2 | 2 | | 2 | Scr-Pan Phil 10-24 X .38 |
| K2 | 3 | | 2 | Scr-Pan Phil 1/4-20 X .75 |
| K2 | 4# | | 3 | Wsh, Flt Sae 1/4 |
| K2 | 5 | | 4 | Nut, Hex Nyl Loc 10-24 |
| K2 | 6 | | 4 | Scr-Hex 10-24 X 1.25 |
| K2 | 7 | | 1 | Bushing, 1/4 Id Snub |
| K2 | 8 | | 1 | Decal-Chemical Ratio |
| K1 | 9 | | 2 | Pump, Detergent, 12v M19 / M20 |
| K1 | 10 | | 1 | Hose 1/8 Id X 32 Lg |
| K3 | 11 | | 2 | Clamp- Hose Sae #12 |
| K3 | 12 | | 1 | Hose, Spiral .750 X 6" |
| K3 | 13 | | 2 | Elbow Poly 1/2 X 3/4 |
| K4 | 14 | | 2 | Cap Plastic F Chemical Tank |
| | 15 | 56315523 | 1 | Cap Dry Break 1/8 Barb |
| K1 | 16 | | 1 | Hose-Chemical Resistant-7.50 |
| K4 | 17 | | 1 | Cap, 38mm Buttress |
| K1 | 18 | | 2 | Fitting, Y, Barb, .125 |
| K1 | 19 | | 4 | Hose-Chem Resistant-5.00 |
| K4 | 20 | | 2 | Insert, Dry Break |
| K3 | 21# | | 1 | Tie, Cable |
| K2 | 22 | | 1 | Pump Mnt Weldt |
| K2 | 23 | | 1 | Cover Weldt |
| K2 | 24 | | 1 | Pump Support Weldt |
| K4 | 25 | | 2 | Chemical Bottle Assy |
| | 26 | 56511834 | 1 | Pump-36vdc-Water M23 |
| | 27# | 56002155 | 1 | Scr Hex 1/4-20 X .75 |
| | 28# | 56303651 | 1 | Clamp P Cl-16 |
| | 29# | 56002098 | 1 | Wsh Flt Sae 1/4 |

Service Kits

| | | | |
|----|----------|---|------------------------|
| K1 | 56510888 | 1 | Detergent Pump Kit |
| K2 | 56510889 | 1 | Bracket / Hardware Kit |
| K3 | 56510891 | 1 | Hose / Fitting Kit |
| K4 | 56510892 | 1 | Chemical Bottle Kit |

= Revised or new since last update

ELECTRICAL SYSTEM



ELECTRICAL SYSTEM

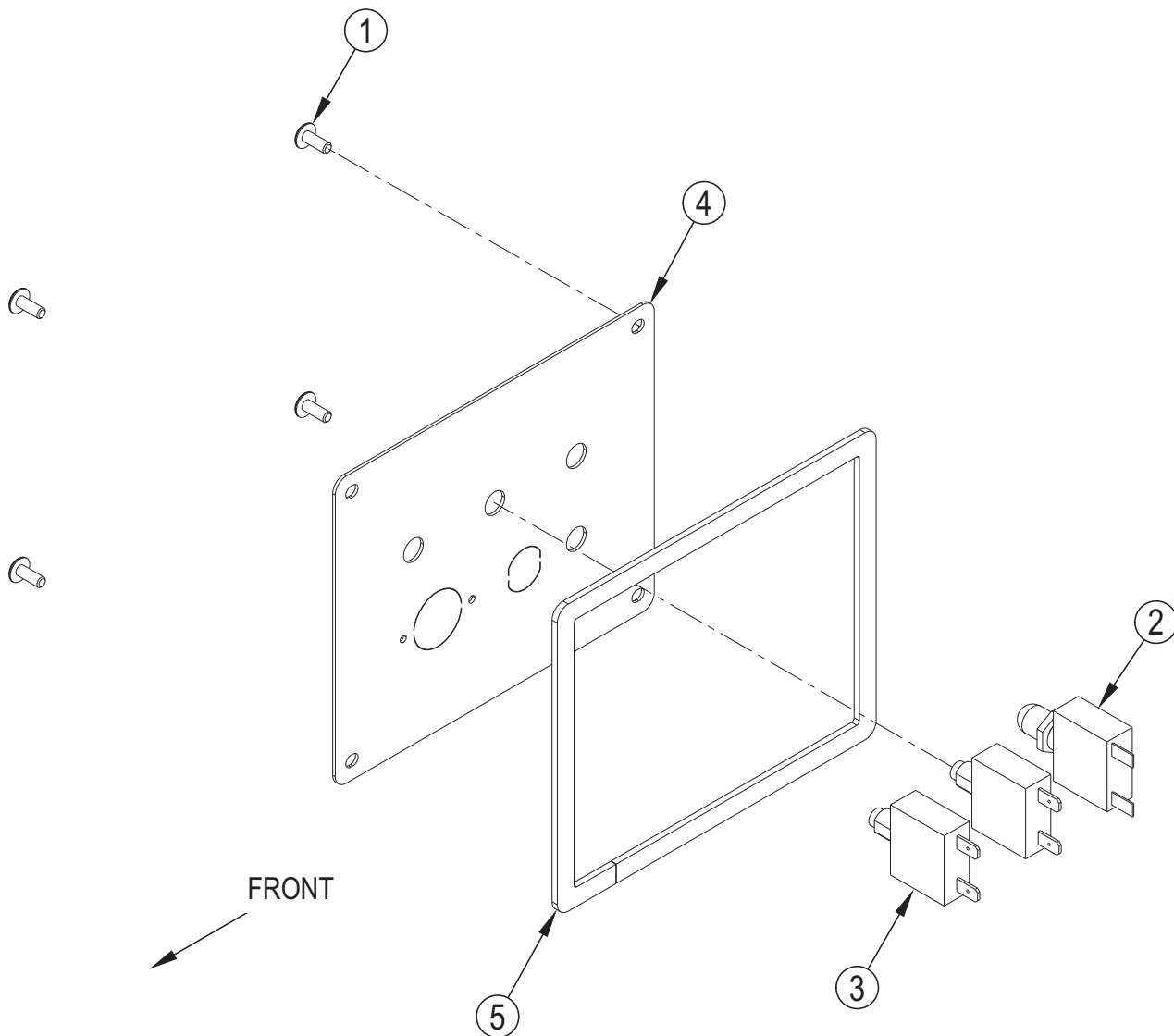
| Kit | Item | Ref. No. | Qty | Description |
|---------------------|----------|----------|-----|---|
| K1 | 2 | | 6 | Scr-Hex 1/4-20 X .62 |
| K1 | 3 | | 2 | Nut, Wing 1/4-20 NOTE 2 |
| K1 | 4 | | 1 | Scr-Hex 1/4-20 X 1.00 NOTE 2 |
| K1 | 5 | | 7 | Wsh, Flt Sae ¼ NOTE 3 |
| K1 | 6 | | 10 | Scr-Hex 10-24 X .50 |
| K1 | 7 | | 2 | Scr-Hex 3/8-16 X 1.00 NOTE 2 |
| K1 | 8 | | 1 | Nut, Hex Nyl Loc 5/16-18 |
| K1 | 9 | | 1 | Nut, Hex Nyl Loc 1/4-20 NOTE 2 |
| K1 | 10 | | 2 | Nut, Hex Nyl Loc-Thin 1/4-20 |
| K1 | 11 | | 10 | Wsh, Flt .266 X .906 X .060 |
| K1 | 12 | | 4 | Scr-Pan Phil Loc 1/4-20 X 1.50 |
| K1 | 13 | | 2 | Wsh-Flt .392x1.00x.075 NOTE 2 |
| K2 | 14 | | 3 | Battery, Gel 12v 98 Ah NOTE 2 |
| | [15] | 56372673 | 6 | Boot-Battery Post |
| | 16 | 56380449 | 1 | Battery-12v 45ah Wet BT2 NOTE 2 |
| | [17] | 56409485 | 2 | Cable Assy-1 X 15.00 |
| | 18 | 56412344 | 1 | Wire Rope Assy NOTE 2 |
| | 19# | 56394040 | 1 | Horn-36v H2 |
| | 20 | 56486112 | 4 | Clamp-P |
| | [22] | 56509182 | 1 | Cable Assy-Starter Battery |
| | 23 | 56509738 | 1 | Cover-Battery NOTE 2 |
| | [24] | 56510223 | 1 | Cable-1 Awg X 29.25 |
| | [25] | 56510224 | 1 | Cable-1 Awg X 26.50 |
| | 26 | 56510835 | 1 | Bar-Elect Disconnect |
| | 27 | 56511177 | 1 | Battery Box Weldt NOTE 2 |
| | 28 | 56511215 | 1 | Bracket-Connector Mount |
| | 29 | 56511365 | 1 | Panel-Cable Chaseway |
| | 30 | 56511370 | 1 | Cover-Electrical Compartment |
| | 31# | 56383979 | 1 | Gasket-Strip-59x.5x.25 |
| | [32] | 56511582 | 1 | Harness-Main |
| | 33 | 56511623 | 1 | Curtain-Splash-Cs7010 |
| | 34# | | 1 | Electrical Panel Assy (see page 41) |
| | 35# | | 1 | Circuit Breaker Panel Assy (see page 40) |
| | [36] | 56511640 | 1 | Harness-Hopper |
| | [37] | 56511641 | 1 | Harness-Lev Engine Interface |
| | [39] | 56511644 | 1 | Harness-Vacuum |
| | 40# | 56511645 | 1 | Harness-Power |
| | [41] | 56511727 | 1 | Cable-1 Awg X 56.50 |
| | [42] | 56511728 | 1 | Cable-1 Awg X 34.25 |
| | 43 | 56509179 | 1 | Cable Assy-Alternator |
| | 44 | 56511399 | 1 | Strap-Splash Curtain |
| | 45 | 56001854 | 2 | Scr Hex 1/4-20 X .50 |
| | 46# | 56511648 | 1 | Harness-Engine Bonding |
| | 47# | 56394106 | 1 | Cable-4 Awg X 22.00 NOTE 4 |
| Service Kits | | | | |
| K1 | 56511885 | 1 | | Hardware Kit-Elect Sys |
| K2 | 56510781 | 1 | | Battery Kit-Elect Sys LPG / Diesel |

[] = Not Shown

= Revised or new since last update

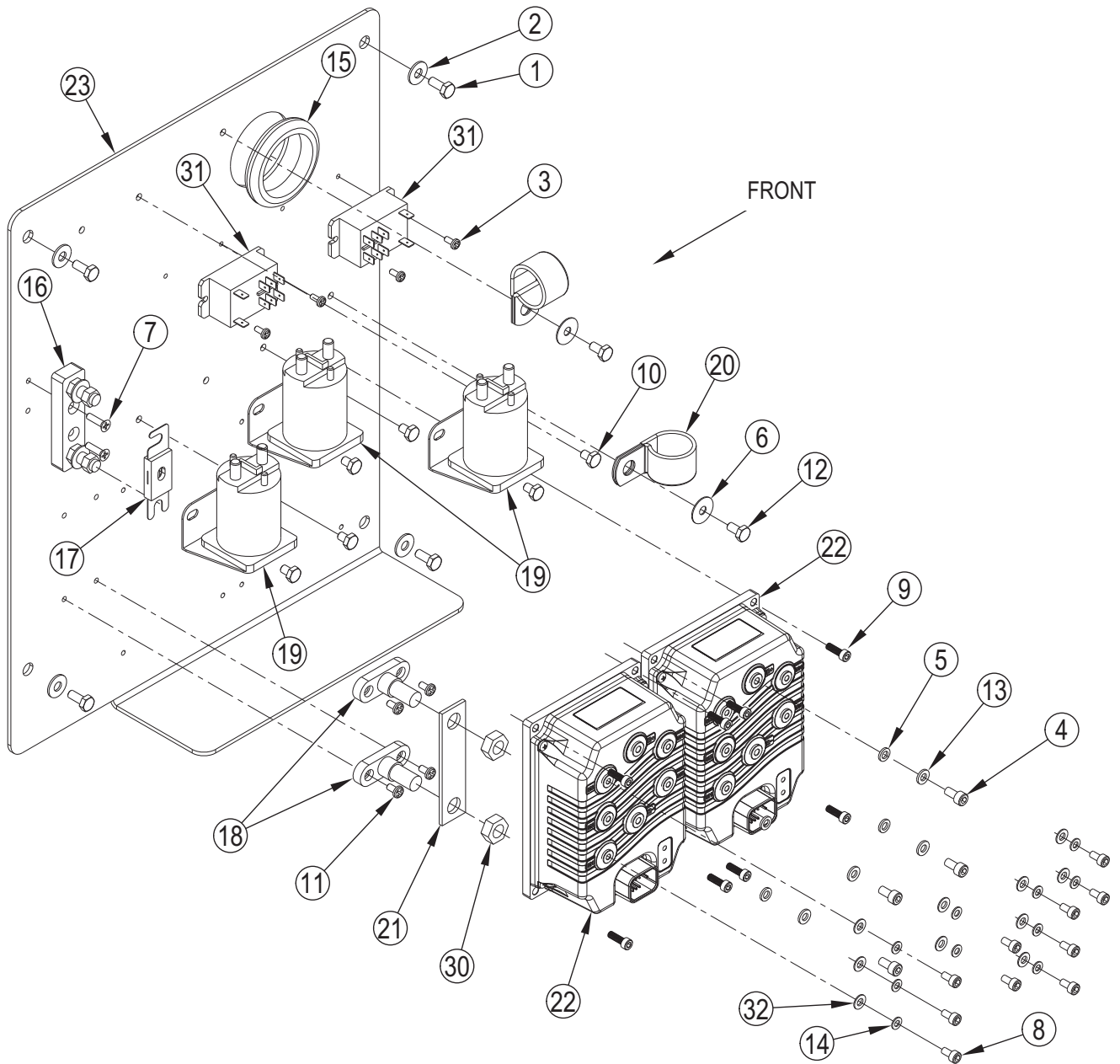
NOTE 1: These items are only used on diesel models.**NOTE 2:** These items are only used on LPG and diesel models.**NOTE 3:** Quantity of 6 on battery models.**NOTE 4:#** Order the Engine Bonding Cable Kit 56394111 when replacing the Engine Bonding Cable 56394106.

ELECTRICAL SYSTEM-CIRCUIT BREAKER PANEL ASSEMBLY



| Kit | Item | Ref. No. | Qty | Description |
|-----|------|----------|-----|---|
| | 1 | 56003902 | 4 | Scr-Truss Phil Ss Blk10-24x.50 |
| | 2 | 56315255 | 1 | Circuit Breaker, 5 Amp SW11 / SW12 |
| | 3 | 56509623 | 2 | Circuit Breaker-25 Amp CB2 / CB3 |
| | 4 | 56511637 | 1 | Panel-Circuit Breaker |
| | 5 | 56511638 | 1 | Gasket-Circuit Breaker Panel |

ELECTRICAL SYSTEM-CONTACTOR PANEL ASSEMBLY

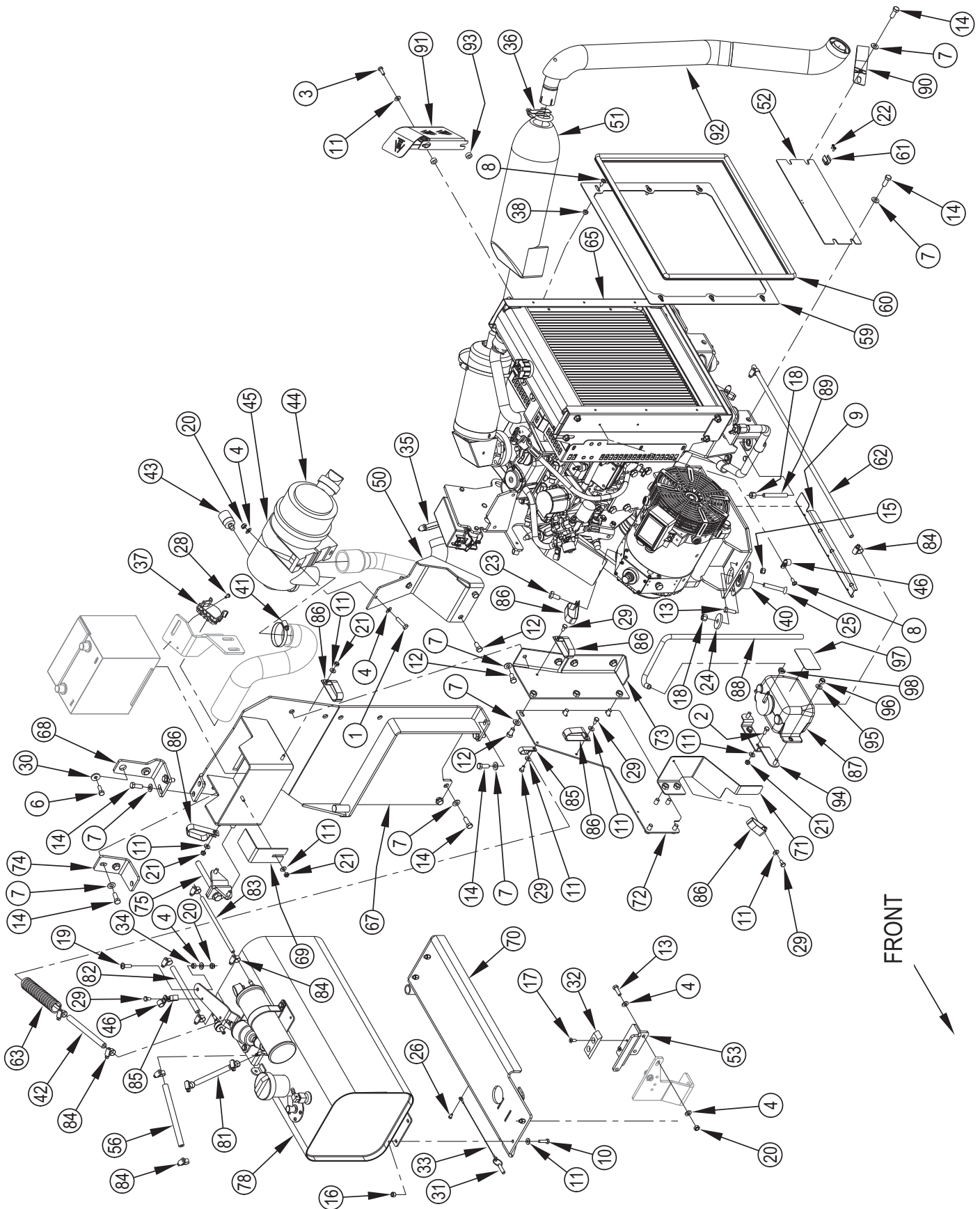


| Kit Item | Ref. No. | Qty | Description |
|----------|----------|-----|------------------------------------|
| 1 | 56001836 | 4 | Scr-Hex 1/4-20 X .62 |
| 2 | 56001906 | 4 | Wsh, Flt Std 1/4 |
| 3 | 56002523 | 4 | Scr, Pan Phil Thd Form 8-32 X .38 |
| 4 | 56003357 | 4 | Scr Soc Thd To Hd M6 X 12.0 |
| 5 | 56003547 | 4 | Wsh, Flt 6.4m X 11mm X 1.6mm |
| 6 | 56003585 | 2 | Wsh-Flt .281x.875x.036 |
| 7 | 56003681 | 2 | Scr, Flt Phil Thd Form 10-24x.75 |
| 8 | 56004009 | 10 | Scr Soc M5-0.8x10 |
| 9# | 56003365 | 8 | Scr Soc Hd M5 X 16.0 |
| 10 | 56009019 | 6 | Scr, Hex Thd Form 1/4-20 X .38 |
| 11 | 56009030 | 4 | Scr, Pan Phil Thd Form 10-24 X .38 |
| 12 | 56009033 | 2 | Scr, Hex Thd Form 1/4-20 X .50 |
| 13 | 56009188 | 4 | Wsh Int Shprf 6mm |
| 14 | 56009255 | 10 | Wsh Int Shprf 5mm |
| 15 | 56262531 | 1 | Grommet |
| 16 | 56303295 | 1 | Fuse Block |

| Kit Item | Ref. No. | Qty | Description |
|----------|----------|-----|---|
| 17 | 56303297 | 1 | Fuse, 400 Amp F1 |
| 18 | 56303298 | 2 | Stud Type Junction Block |
| 19 | 56395453 | 3 | Contactor-36 Volt 200 Amp K2 / K3 / K4 |
| 20 | 56409463 | 2 | Clamp, 1.25 Hose Support |
| 21 | 56510259 | 1 | Bus Bar-Ground |
| 22 | 56511622 | 2 | Module-Power A3 |
| 23 | 56511634 | 1 | Panel-Electrical |
| [25] | 56511724 | 1 | Cable-6 Awg X 5.50 |
| [26] | 56511725 | 1 | Cable- 6 Awg X 9.00 |
| [27] | 56511726 | 1 | Cable-1 Awg X 9.00 |
| [28] | 56511729 | 1 | Cable-6 Awg X 10.50 |
| [29] | 56511730 | 1 | Cable-6 Awg X 15.50 |
| 30 | 56009089 | 2 | 1/2-20 Hex Jam Nut |
| 31 | 40892A | 2 | Relay Dpdt 36vdc K1 / K5 |
| 32 | 56001954 | 10 | Wsh Flt Sae 10 |

= Revised or new since last update

ENGINE SYSTEM-GASOLINE-PETROL



ENGINE SYSTEM-GASOLINE-PETROL

| Kit | Item | Ref. No. | Qty | Description |
|-----|------|----------|-----|------------------------------------|
| K1 | 1 | | 2 | Scr-Hex 5/16-18 X 1.25 |
| K1 | 2 | | 2 | Scr-Hex 1/4-20 X .62 |
| K1 | 3 | | 2 | Scr Hex 1/4-20 X .75 |
| K1 | 4 | | 9 | Wsh, Flt SAE 5/16 |
| K1 | 6 | | 2 | Scr-Hex 5/16-18 X .88 |
| K1 | 7 | | 23 | Wsh, Flt SAE 3/8 |
| K1 | 8 | | 7 | Scr-Pan Phil 1/4-20 X .62 |
| K2 | 9 | | 1 | Guard-Wire Harness |
| K1 | 10 | | 4 | Scr-Hex 1/4-20 X 1.00 |
| K1 | 11 | | 14 | Wsh, Flt SAE 1/4 |
| K1 | 12 | | 13 | Scr-Hex 3/8-16 X .75 |
| K1 | 13 | | 10 | Scr-Hex 5/16-18 X 1.00 |
| K1 | 14 | | 12 | Scr-Hex 3/8-16 X 1.00 |
| K1 | 15 | | 8 | Nut, Hex Nyl Loc 5/16-18 |
| K1 | 16 | | 4 | Nut, Hex Nyl Loc 1/4-20 |
| K1 | 17 | | 2 | Scr-Flt Phil 1/4-20 X .62 |
| K1 | 18 | | 4 | Nut-Hex Nyl Loc 3/8-16 |
| K1 | 19 | | 1 | Scr-Pan Phil 5/16-18 X 1.00 |
| K1 | 20 | | 5 | Nut, Hex Nyl Loc-Thin 5/16-18 |
| K1 | 21 | | 5 | Nut, Hex Nyl Loc-Thin 1/4-20 |
| K1 | 22 | | 2 | Scr-Pan Phil SS 6-32 X .38 |
| K1 | 23 | | 1 | Scr, Hex Thd To Hd M10-1.5 X 20mm |
| K1 | 24 | | 4 | Wsh Flt Steel .406cv31c |
| K1 | 25 | | 1 | Scr-Flt Soc SS 3/8-16 X 2.50 |
| K1 | 26 | | 1 | Scr, Hex Thd Form 10-24 X .38 |
| K1 | 28 | | 2 | Scr, Pan Phil Thd Form 10-24 X .50 |
| K1 | 29 | | 5 | Scr, Hex Thd Form 1/4-20 X .50 |
| K1 | 30 | | 2 | Wsh, Flt .344 X .938 X .125 |
| | 31 | 56050356 | 1 | Pin Quickrise--.312dia .625l |
| | 32 | 56110514 | 1 | Skid |
| | 33 | 56314400 | 1 | Wire Rope, 9 Inch |
| | 34 | 56320595 | 1 | Bushing .32x.50x.28 |
| | 35 | 56329145 | 1 | Clamp- Hose SAE #24 |
| | 36 | 56343236 | 1 | Clamp, Muffler 1.50 |
| | 37 | 56396199 | 1 | Clamp, Plastic |
| | 38 | 56410057 | 6 | Bushing, .26 Id X .50 Od |
| | 40 | 56419300 | 4 | Mount, Isolator, Stiff |
| | 41 | 56440213 | 2 | Clamp- Hose SAE #32 |
| | 42 | 56511254 | 1 | Hose Fuel |
| | 43 | 56478461 | 1 | Indicator, Service |
| | 44 | 56482478 | 1 | Cleaner, Air |
| | [] | 56482028 | 1 | Filter Safety (for 56482478) |
| | [] | 56482029 | 1 | Filter Primary (for 56482478) |
| | 45 | 56482621 | 1 | Band Assy |
| | 46 | 56486112 | 2 | Clamp-P |
| | 50 | 56510159 | 1 | Air Cleaner Mnt Weldt |
| | 51 | 56384176 | 1 | Blanket-Catalytic Converter |
| | 52 | 56510284 | 1 | Plate-Guard |

| Kit | Item | Ref. No. | Qty | Description |
|-----|------|------------|-----|--|
| | 53 | 56510295 | 1 | Mount Weldt |
| | 56 | 56306096 | 1 | Hose Fuel |
| | 59 | 56511915 | 1 | Mount-Radiator Seal |
| | 60 | 56510730 | 1 | Trim-Seal |
| | 61 | 56510834 | 1 | Clip-Spring 1/2 |
| | 62 | 56510953 | 1 | Hose-Black 1/4 Id X 25 |
| | 63 | 56419452 | 1 | Conduit |
| | 65# | | 1 | Petrol Engine Assy (See pages 44 and 45) |
| | 67 | 56511118 | 1 | Fuel Tank Support Weldt |
| | 68 | 56511120 | 1 | Bracket-Tank Support |
| | 69 | 56511122 | 1 | Holddown-Battery |
| | 70 | 56511128 | 1 | Tank Pivot Weldt |
| | 71 | 56511141 | 1 | Cable Guard Weldt |
| | 72 | 56511142 | 1 | Plate-Tank Guard |
| | 73 | 56511143 | 1 | Guard Mnt Weldt |
| | 74 | 56511174 | 1 | Bracket-Tank Pivot |
| | 75 | 56511199 | 1 | Belt Removal Tool |
| | 78# | | 1 | Petrol Tank Assy (See pages 48 and 49) |
| | 81 | 56511248 | 1 | Hose-Fuel Line |
| | 82 | 56511249 | 1 | Hose-Fuel Line |
| | 83 | 56511251 | 1 | Hose-Fuel Line |
| | 84# | 56756364 | 12 | Clamp- Hose SAE #4 |
| | 85 | 2-00-04603 | 2 | Clamp-Hose (Double) 1/2 O.D. |
| | 86 | 2-00-05253 | 6 | Clamp, 3/4" Wire, Double |
| | 87# | 56394241 | 1 | Bottle-Overflow |
| | 88 | 7-33-02644 | 1 | Hose, 1/4" Id X 28" Long, Clear |
| | 89 | 56511500 | 3 | Stud-Double Ended |
| | 90 | 56511631 | 1 | Hanger-Tailpipe |
| | 91 | 56511919 | 1 | Shield-Heat |
| | 92 | 56511948 | 1 | Exhaust Pipe Weldment-Petrol |
| | 93 | 56511913 | 2 | Spacer-Heat Sheild |
| | 94# | 56394242 | 1 | Bracket-Overflow Bottle |
| | 95# | 56001939 | 11 | Wsh Flt Sae 5/16 |
| | 96# | 56002701 | 10 | Nut Hex Nyl Loc 5/16-18 |
| | 97# | 56015463 | 1 | Decal Coolant Level |
| | 98# | 56384956 | 1 | Clamp-Hose |

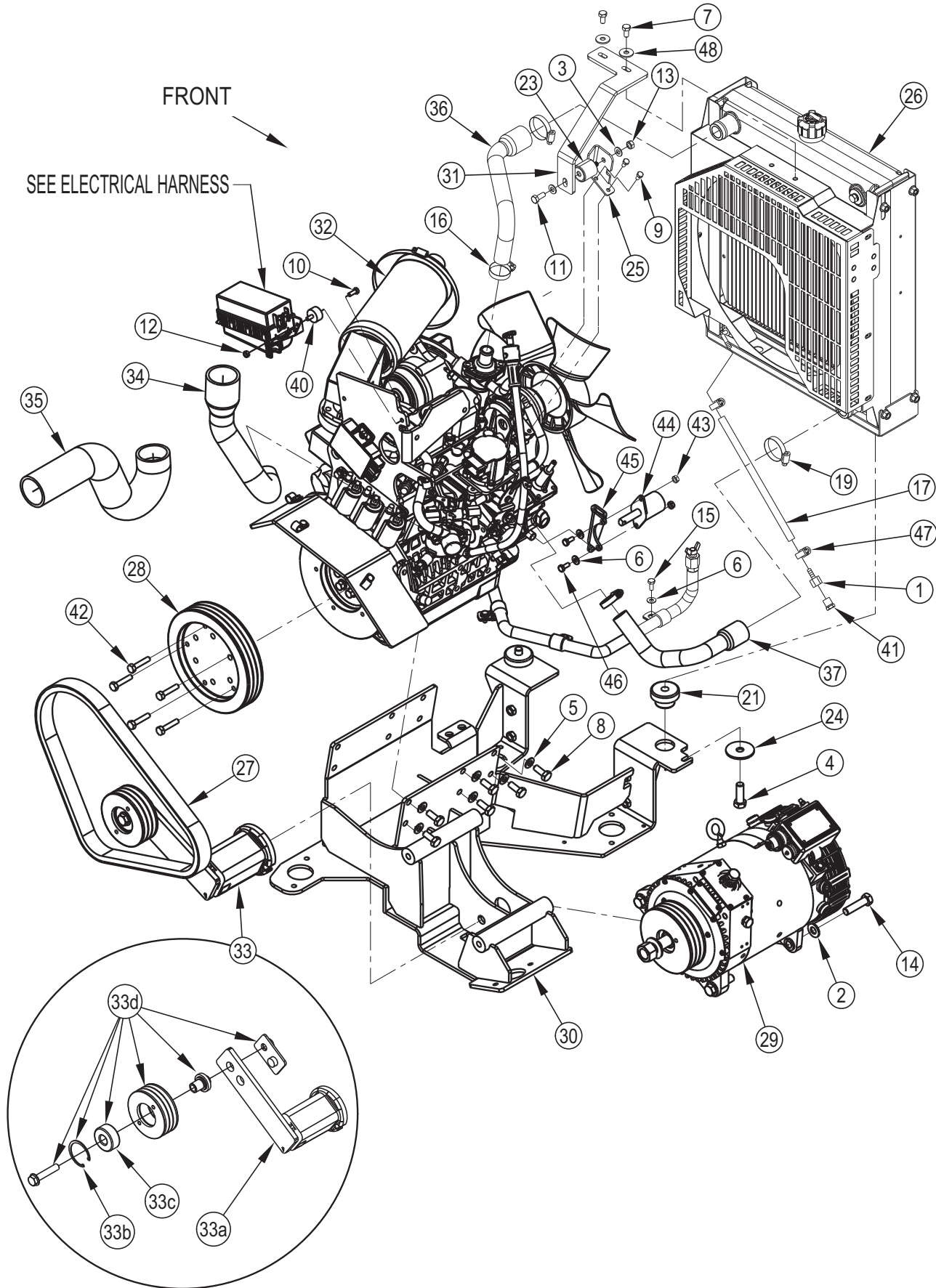
Service Kits

| | | | |
|----|----------|---|--------------------------------|
| K1 | 56510795 | 1 | Hardware Kit-Engine System LPG |
| K2 | 56384018 | 1 | Wire Harness Guard Kit |

[] = Not Shown

= Revised or new since last update

ENGINE ASSEMBLY-GASOLINE-PETROL



ENGINE ASSEMBLY-GASOLINE-PETROL

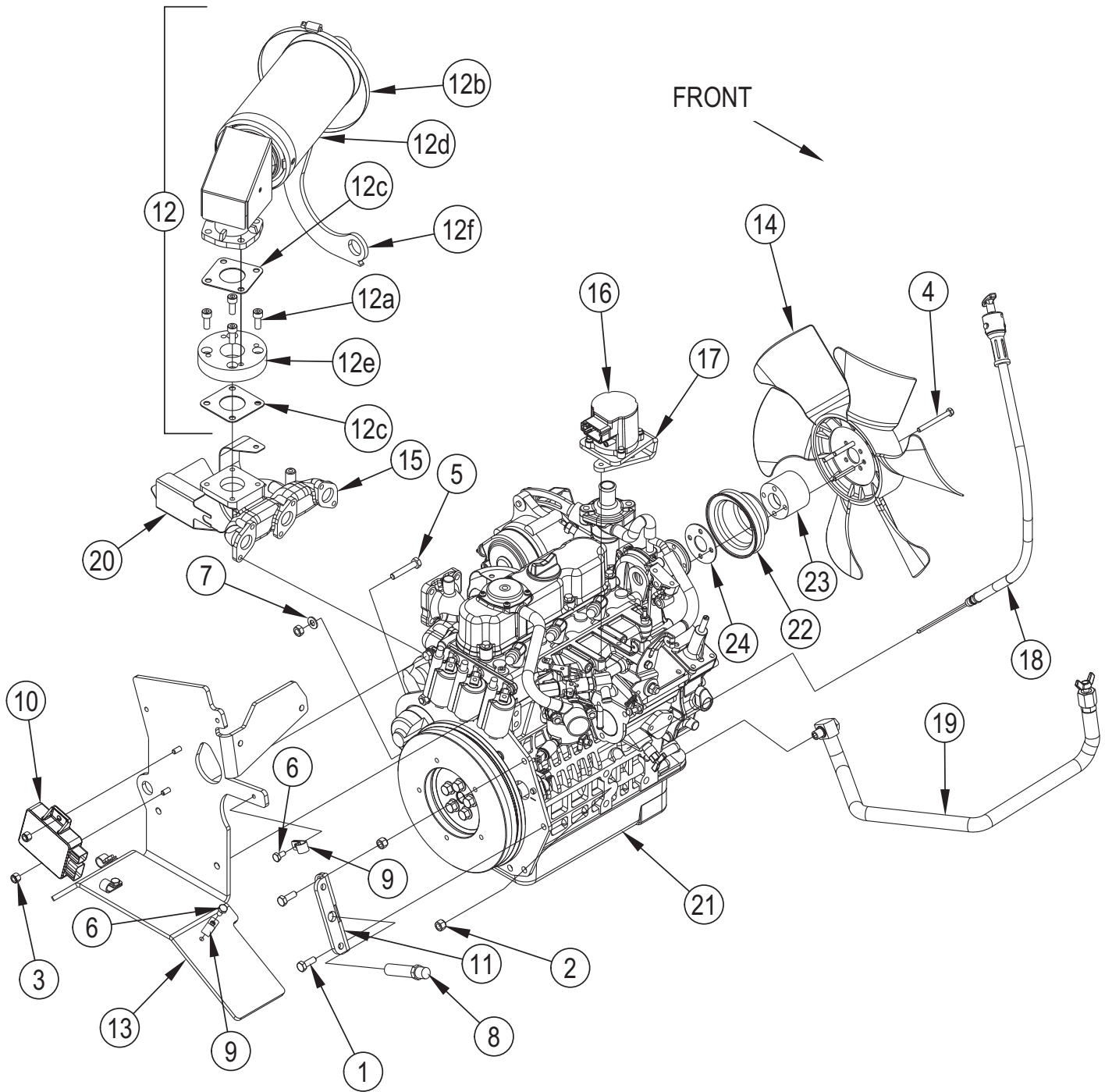
| Kit | Item | Ref. No. | Qty | Description |
|-----|------|----------|-----|--|
| | 1 | 56756360 | 1 | Barb, Hose Female |
| | 2 | 56001879 | 3 | Wsh-Flt SAE 1/2 |
| | 3 | 56001939 | 2 | Wsh, Flt SAE 5/16 |
| | 4 | 56001968 | 2 | Scr, Hex 1/2-13 X 1.50 |
| | 5 | 56009112 | 12 | Wsh Int Shprf 3/8 |
| | 6 | 56002098 | 3 | Wsh, Flt SAE 1/4 |
| | 7 | 56003431 | 2 | Scr Hex Ss M6-1.00x16mm |
| | 8 | 56003019 | 12 | Scr-Hex M10-1.25 X 25mm |
| | 9 | 56003155 | 2 | Scr-Hex M6-1 X 12mm |
| | 10 | 56003174 | 2 | Scr, Hex Thd To Hd M6-1 X 16mm |
| | 11 | 56003179 | 1 | Scr, Hex Thd To Hd M8-1.25 X 20mm |
| | 12 | 56003350 | 2 | Nut, Hex M6-1 |
| | 13 | 56003352 | 1 | Nut, Hex M8-1.25 |
| | 14 | 56003740 | 3 | Scr, Hex Thd To Hd 1/2-13 X 2.00 |
| | 15 | 56009250 | 3 | Scr, Hex Thd Form 1/4-20 X .62 |
| | 16 | 56131601 | 2 | Clamp- Hose SAE #16 |
| | 17 | 56510958 | 1 | Hose-Coolant |
| | 19 | 56413839 | 2 | Clamp- Hose SAE #20 |
| | 21 | 56478685 | 2 | Mount, Rubber |
| | [22] | 56504531 | 1 | Harness-Ignition-Df-Wg972 |
| | 23 | 56507372 | 1 | Isolator-Engine |
| | 24 | 56507448 | 2 | Washer, Isolator Tail |
| | 25 | | 1 | Bracket, Upper Radiator Iso Mount |
| | 26 | 56511908 | 1 | Radiator-Lpg-Gas NOTE 1 TSB-FC-2017-046 |
| | 27 | 56509442 | 1 | Belt-3vx X 45.0 |
| | 28 | 56509443 | 1 | Sheave-3v X 8.00 |
| | 29 | 56511663 | 1 | Alternator-42VDC-10KW G1 |
| | [] | 56511632 | 1 | Sheave-3V x 5.00 (for 56511663) |
| | 30 | 56509570 | 1 | Eng/Alt Mnt Weldt |
| | 31 | 56511911 | 1 | Bracket-Radiator-Gas |
| | 32# | | 1 | Petrol Engine Assy (See pages 46 and 47) |
| | 33 | | 1 | Tensioner Assy |
| | 33a | 56509923 | 1 | Tensioner-Automatic (for Tensioner Assy) |
| | 33b | 56003314 | 1 | Ring Ret Int Type Ho 2.047 Dia (for Tensioner Assy) |
| | 33c | 56509716 | 1 | Bearing (for Tensioner Assy) |
| | 33d | 56510854 | 1 | Idler Pulley Kit (for Tensioner Assy) |
| | 34 | 56510078 | 1 | Hose-Air Cleaner |
| | 35 | 56510090 | 1 | Hose-Air Cleaner |
| | 36 | 56510128 | 1 | Hose-Radiator |
| | 37 | 56510129 | 1 | Hose-Radiator |
| | [38] | 56511877 | 1 | Harness-Kubota Df972 |
| | 40 | 56510718 | 2 | Isolator-Relay Box |
| | 41 | 56740136 | 1 | Plug, Pipe |
| | 42 | 56003361 | 5 | Scr Hex Hd M8 X 35.0 |
| | 43 | 56002561 | 2 | Nut Hex W/SHRPF 1/4/20 |
| | 44 | 56511222 | 1 | Solenoid-Choke |
| | 45 | 56511221 | 1 | Bracket-Choke Solenoid |
| | 46 | 56001836 | 2 | Scr Hex 1/4-20 X .62 |
| | 47 | 56756364 | 2 | Clamp Hose SAE 4 |
| | 48 | 56003638 | 2 | Wsh Flt Ss M6 |

[] = Not Shown

= Revised or new since last update

NOTE 1: Please order Radiator Gas Kit 56511917 if you are replacing the Radiator 56509210 which has been obsoleted and replaced by Kit 56511917.

ENGINE SUB ASSEMBLY-GASOLINE-PETROL



ENGINE SUB ASSEMBLY-GASOLINE-PETROL

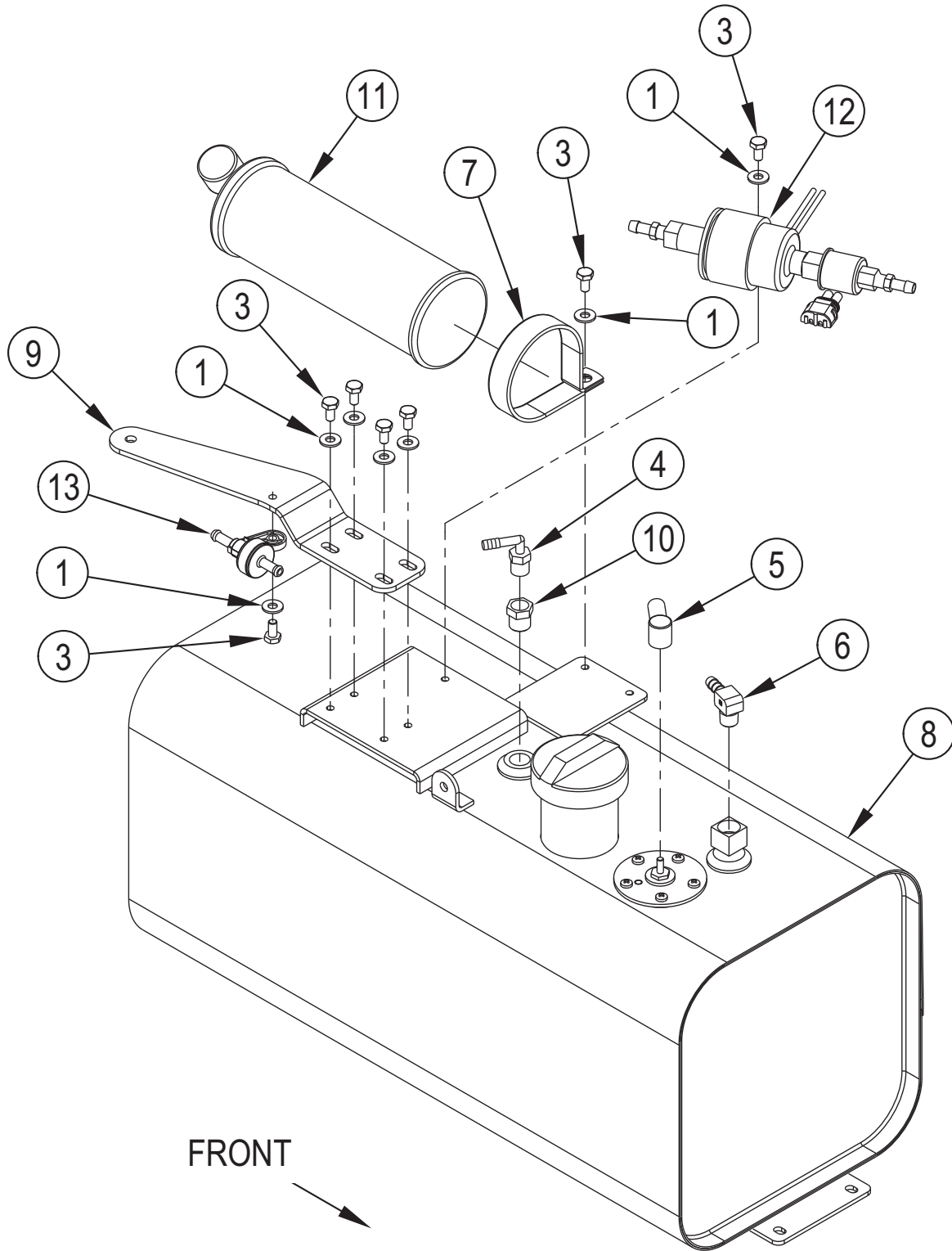
| Kit | Item | Ref. No. | Qty | Description | Engine Replacement Parts |
|-----|------|----------|-----|-----------------------------------|---|
| | 1 | 56002037 | 2 | Scr-Hex 5/16-18 X .88 | [] 56508454 1 Thermostat Kit |
| | 2 | 56002701 | 2 | Nut, Hex Nyl Loc 5/16-18 | [] 56510185 1 Governor-Controller |
| | 3 | 56002708 | 2 | Nut, Hex Nyl Loc 1/4-20 | [] 56383566 1 Linkage Kit-Governor |
| | 4 | 56003169 | 4 | Scr-Hex M6-1 X 60mm | [] 56383567 1 Hardware Kit-Governor Mtg |
| | 5 | 56003180 | 1 | Scr, Hex Thd To Hd M8-1.25 X 25mm | [] 56511877 1 Harness-Kubota DF972 |
| | 6 | 56009033 | 4 | Scr, Hex Thd Form 1/4-20 X .50 | [] 56504531 1 Harness-Ignition-DF-WG972 |
| | 7 | 56009052 | 1 | Wsh, Int Shprf 5/16 | [] 56508455 1 Plug Wire/Coil Kit (3 Wires & 3 Caps) |
| | 8 | 56111319 | 1 | Speed Sensor | [] 56380493 1 Spark Plug Wire Kit- Cyl #1 |
| | 9 | 56486112 | 4 | Clamp-P | [] 56380494 1 Spark Plug Wire Kit- Cyl #2 |
| | 10 | 56508445 | 1 | Spark Controller | [] 56380495 1 Spark Plug Wire Kit- Cyl #3 |
| | 11 | 56509853 | 1 | Bracket-Mag Pickup | [] 56508456 3 Spark Plug |
| | 12 | | 1 | LPG Exhaust Assy | [] 0775-295 1 Alternator W/Pulley (40 Amp) |
| K1 | 12a | | 4 | Scr-Soc Hd M8-1.25 X 20 Mm | [] 56508440 1 Starter Motor |
| | 12b | 56355488 | 1 | Clamp- Hose SAE #96 | [] 56419091 1 Switch, Temp |
| K1 | 12c | | 2 | Exhaust Gasket | [] 56508457 1 Water Pump Assy |
| | 12d | 56510163 | 1 | Muffler-Cat | [] 56508458 1 Oil Filter Cartridge |
| | 12e | 56510166 | 1 | Spacer-Exhaust | [] 56510299 1 Dipstick-DF972 |
| | 12f | 56510177 | 1 | Bracket-Support | [] 56508459 1 Gasket, Exhaust (Exhaust Manifold) |
| | 13 | 56509998 | 1 | Coil Mount Weldt | [] 56419090 1 Oil Pressure Switch |
| | 14 | 56510140 | 1 | Fan-Cooling | [] 56510163 1 Muffler-Cat |
| | 15 | 56510184 | 1 | Manifold-Exhaust | [] 56510629 1 Belt, Fan/Alternator |
| | 16 | 56510185 | 1 | Governor-Controller | [] 56510128 1 Hose-Radiator (Upper) |
| | 17 | 56510186 | 1 | Bracket-Governor Mnt | [] 56510129 1 Hose-Radiator (Lower) |
| | 18 | | 1 | Dipstick Assy | [] 56510078 1 Hose-Air Cleaner (Air Cleaner To Intake) |
| | 19 | 56510200 | 1 | Remote Oil Drain Assy | [] 56510090 1 Hose-Air Cleaner (Air Cleaner Inlet) |
| | 20 | 56510349 | 1 | Shield-Heat | [] 56504429 1 Relay-Engine Power |
| | 21 | 56510535 | 1 | Engine-Kubota DF972 T3 | [] 56504518 1 Relay-Fuel Pump |
| | 22 | 56510552 | 1 | Pulley-Fan | [] 50360A 1 Adapter, 1/8 Bspm X 1/8 Nptf |
| | 23 | 56510553 | 1 | Spacer-Fan | [] 56510976 1 Gasket Set-Upper WG972 |
| | 24 | 56510554 | 1 | Spacer-Pulley | [] 56510977 1 Gasket Set-Lower WG972 |
| | | | | | [] 56510978 1 Bracket-Alternator Adj |
| | | | | | [] 56510979 1 Pulley-Crankshaft |
| | | | | | [] 56510980 1 Housing-Thermostat |
| | | | | | [] 56510981 1 Carburetor-WG972 |
| | | | | | [] 56504527 1 Gasket-Valve Cover-DF972 |
| | | | | | [] 56510971 1 Pulley-Alternator |
| | | | | | [] 56482028 1 Filter Safety |
| | | | | | [] 56482029 1 Filter Primary |
| | | | | | [] 56383025 1 Cap-Oil Fill |
| | | | | | [] 56508355 1 Fuel Pump Electronic |
| | | | | | [] 56511234 1 Evaporative Canister |
| | | | | | [] 56511244 1 Check Valve-Petrol Assy |
| | | | | | [] 56508354 1 Fuel Cap |
| | | | | | [] 56510613 1 Sender-Fuel Level |
| | | | | | [] 56510614 1 Tube-Fuel Withdrawl |
| | | | | | [] 56511914 1 Radiator Cap |

Service Kits

| | | | |
|----|----------|---|--|
| K1 | 56384867 | 1 | Exhaust Gasket Kit (includes four Hex Head Bolts not shown) |
|----|----------|---|--|

[] = Not Shown

GASOLINE-PETROL TANK ASSEMBLY

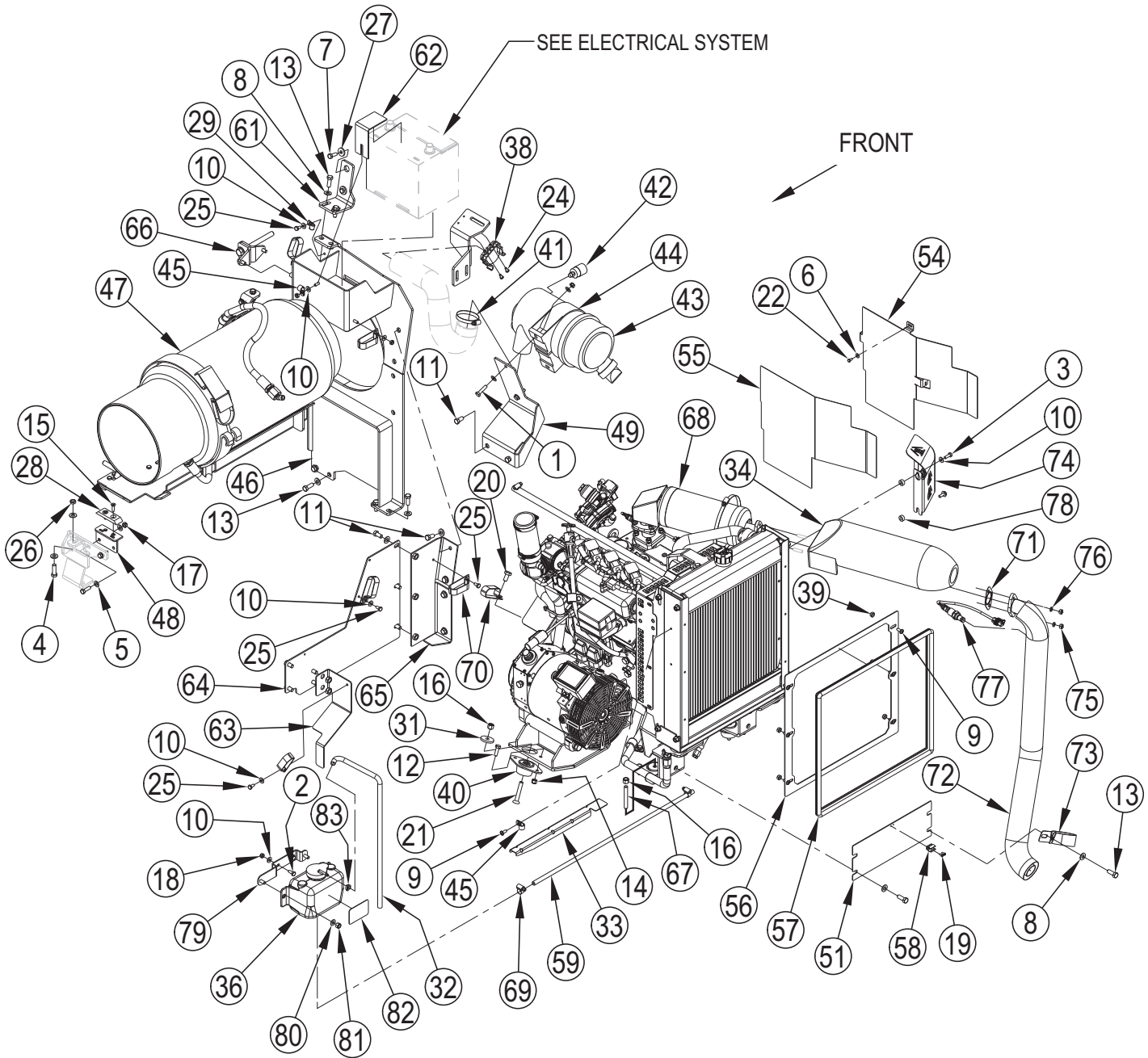


GASOLINE-PETROL TANK ASSEMBLY

| Kit | Item | Ref. No. | Qty | Description |
|------------|-------------|-----------------|------------|---------------------------------|
| | 1 | 56002098 | 7 | Wsh, Flt SAE 1/4 |
| | 3 | 56009033 | 7 | Scr, Hex Thd Form 1/4-20 X .50 |
| | 4 | 56470138 | 1 | Barb, 90 Elbow 1/4 X 1/4npt |
| | 5 | 56492305 | 1 | Boot, Rubber |
| | 6 | 56510495 | 1 | Barb-90 Elbow 5/16 X 1/4npt |
| | 7 | 56511233 | 1 | P-Clamp |
| | 8 | 56511235 | 1 | Fuel Tank Assembly |
| | 9 | 56511247 | 1 | Bracket-Tank Support |
| | 10 | 56750363 | 1 | Bushing, 3/8 Npt - 1/4 Npt |
| | 11 | 56511234 | 1 | Evaporative Canister |
| | 12 | 56511864 | 1 | Fuel Pump Electronic M25 |
| | [] | 56384497 | 2 | Gasket-Fuel Pump-6.50 |
| | 13 | 56511244 | 1 | Check Valve-Petrol Assy |
| | [] | 56508354 | 1 | Fuel Cap |
| | [] | 56511257 | 1 | Sender-Fuel Level R1 |
| | [] | 56511255 | 1 | Tube-Fuel Withdrawl |

[] = Not Shown

ENGINE SYSTEM-LPG LEV



ENGINE SYSTEM-LPG LEV

| Kit | Item | Ref. No. | Qty | Description |
|-----|------|------------|-----|------------------------------------|
| K1 | 1 | | 2 | Scr-Hex 5/16-18 X 1.25 |
| K1 | 2 | | 2 | Scr-Hex 1/4-20 X .62 |
| K1 | 3 | | 2 | Scr Hex 1/4-20 X .75 |
| K1 | 4 | | 1 | Scr-Hex 3/8-16 X 1.25 |
| K1 | 5 | | 8 | Wsh, Flt Sae 5/16 |
| K1 | 6 | | 1 | Wsh, Flt Sae #10 |
| K1 | 7 | | 2 | Scr-Hex 5/16-18 X .88 |
| K1 | 8 | | 23 | Wsh, Flt Sae 3/8 |
| K1 | 9 | | 7 | Scr-Pan Phil 1/4-20 X .62 |
| K1 | 10 | | 10 | Wsh, Flt Sae 1/4 |
| K1 | 11 | | 13 | Scr-Hex 3/8-16 X .75 |
| K1 | 12 | | 10 | Scr-Hex 5/16-18 X 1.00 |
| K1 | 13 | | 10 | Scr-Hex 3/8-16 X 1.00 |
| K1 | 14 | | 8 | Nut, Hex Nyl Loc 5/16-18 |
| K1 | 15 | | 2 | Scr-Flt Phil 1/4-20 X .88 |
| K1 | 16 | | 4 | Nut-Hex Nyl Loc 3/8-16 |
| K1 | 17 | | 4 | Nut, Hex Nyl Loc-Thin 5/16-18 |
| K1 | 18 | | 5 | Nut, Hex Nyl Loc-Thin 1/4-20 |
| | 19 | 56002909 | 2 | Scr-Pan Phil Ss 6-32 X .38 |
| K1 | 20 | | 1 | Scr, Hex Thd To Hd M10-1.5 X 20mm |
| K1 | 21 | | 1 | Scr-Flt Soc Ss 3/8-16 X 2.50 |
| K1 | 22 | | 1 | Scr, Hex Thd Form 10-24 X .38 |
| K1 | 24 | | 2 | Scr, Pan Phil Thd Form 10-24 X .50 |
| K1 | 25 | | 4 | Scr, Hex Thd Form 1/4-20 X .50 |
| K1 | 26 | | 1 | Nut-Hex Jam 3/8-16 |
| K1 | 27 | | 2 | Wsh, Flt .344 X .938 X .125 |
| | 28 | 56110514 | 1 | Skid |
| | 29 | 56323260 | 1 | Clamp, Hose Support |
| | 31 | 56367117 | 4 | Wsh, Flt .406 X 1.5 X .1875 |
| | 32 | 7-33-02644 | 1 | Hose, 1/4" Id X 28" Long, Clear |
| K2 | 33 | | 1 | Guard-Wire Harness |
| | 34 | 56384176 | 1 | Blanket-Catalytic Converter |
| | 36# | 56394241 | 1 | Bottle-Overflow |
| | 38 | 56396199 | 1 | Clamp, Plastic |
| | 39 | 56410057 | 6 | Bushing, .26 Id X .50 Od |
| | 40 | 56419300 | 4 | Mount, Isolator, Stiff |
| | 41 | 56440213 | 1 | Clamp- Hose Sae #32 |
| | 42 | 56478461 | 1 | Indicator,Service |
| | 43 | 56482478 | 1 | Cleaner, Air |
| | [] | 56482028 | 1 | Filter Safety (for 56482478) |
| | [] | 56482029 | 1 | Filter Primary (for 56482478) |

| Kit | Item | Ref. No. | Qty | Description |
|-----|------|------------|-----|--|
| | 44 | 56482621 | 1 | Band Assy |
| | 45 | 56486112 | 2 | Clamp-P |
| | 46 | 56509741 | 1 | Lpg Tank Support Weldt |
| | 47# | | 1 | Lp Fuel Tank Assy (See pages 58 and 59) |
| | 48 | 56510098 | 1 | Tank Mnt Weldt |
| | 49 | 56510159 | 1 | Air Cleaner Mnt Weldt |
| | 51 | 56510284 | 1 | Plate-Guard |
| | 54 | 56510652 | 1 | Shield-Heat-Muffler |
| | 55 | 56510714 | 1 | Foam Insulation |
| | 56 | 56511915 | 1 | Mount-Radiator Seal |
| | 57 | 56510730 | 1 | Trim-Seal |
| | 58 | 56510834 | 1 | Clip-Spring 1/2 |
| | 59 | 56510953 | 1 | Clamp-Black 1/4 Id X 25 |
| | 61 | 56511120 | 1 | Bracket-Tank Support |
| | 62 | 56511122 | 1 | Holddown-Battery |
| | 63 | 56511141 | 1 | Cable Guard Weldt |
| | 64 | 56511142 | 1 | Plate-Tank Guard |
| | 65 | 56511143 | 1 | Guard Mnt Weldt |
| | 66 | 56511199 | 1 | Belt Removal Tool |
| | 67 | 56511500 | 3 | Stud-Double Ended |
| | 68# | | 1 | Power Unit-LPG LEV (See pages 52 and 53) |
| | 69# | 56756364 | 2 | Clamp- Hose Sae #4 |
| | 70 | 2-00-05253 | 6 | Clamp, 3/4" Wire, Double |
| | 71 | 56511521 | 1 | Gasket-Tail Pipe |
| | 72 | 56511947 | 1 | Exhaust Pipe Weldment |
| | 73 | 56511631 | 1 | Hanger-Tailpipe |
| | 74 | 56511919 | 1 | Shield-Heat |
| | 75 | 56003352 | 2 | Nut Hex M8 |
| | 76 | 56003685 | 2 | Washer Nord-Loc M8 |
| | 77 | 56511522 | 1 | Sensor-Oxygen-Wg972 Eng |
| | 78 | 56511913 | 2 | Spacer-Heat Sheild |
| | 79# | 56394242 | 1 | Bracket-Overflow Bottle |
| | 80# | 56001939 | 11 | Wsh Flt Sae 5/16 |
| | 81# | 56002701 | 10 | Nut Hex Nyl Loc 5/16-18 |
| | 82# | 56015463 | 1 | Decal Coolant Level |
| | 83# | 56384956 | 1 | Clamp-Hose |

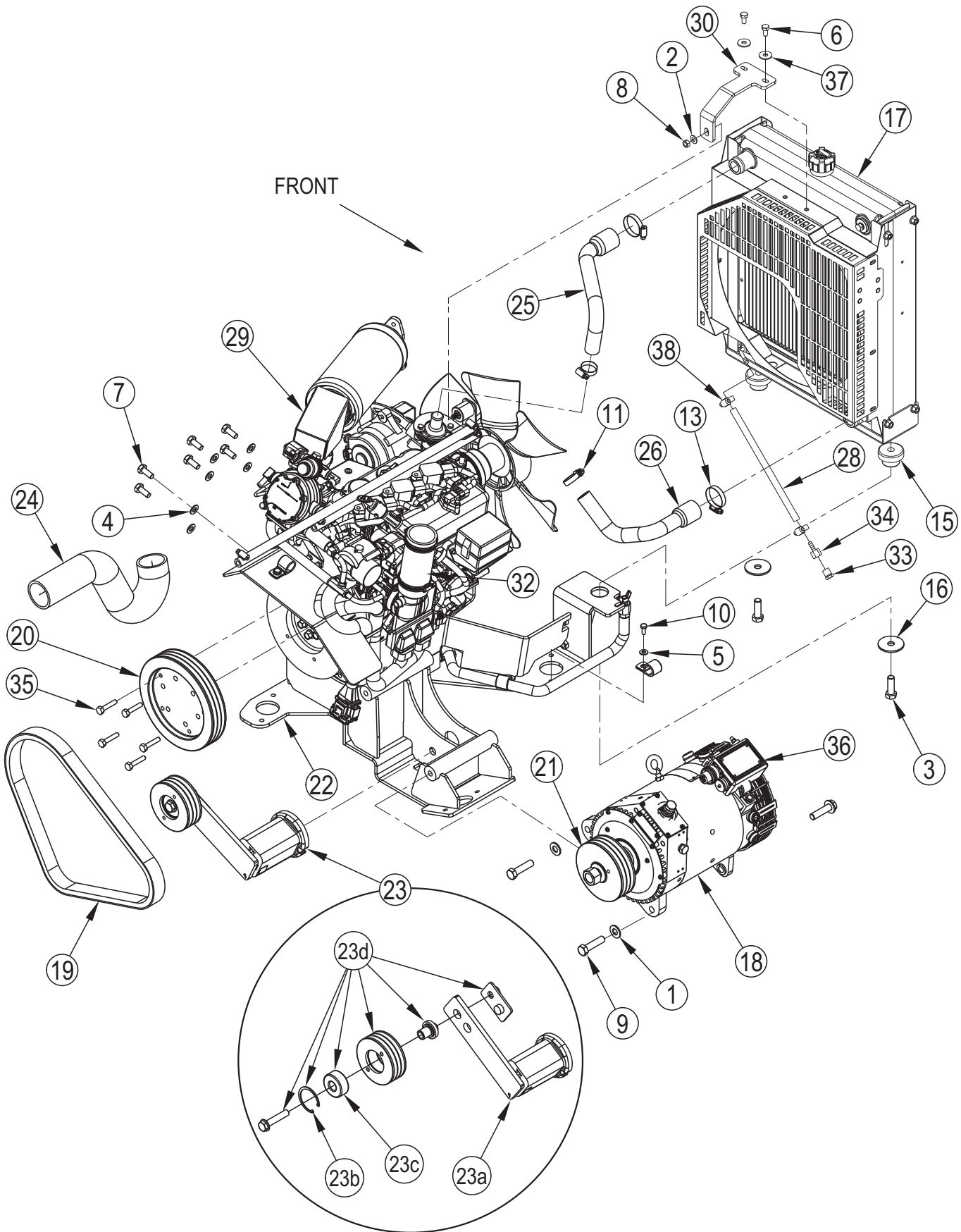
Service Kits

| | | | |
|----|----------|---|--------------------------------|
| K1 | 56510795 | 1 | Hardware Kit-Engine System LPG |
| K2 | 56384018 | 1 | Wire Harness Guard Kit |

[] = Not Shown

= Revised or new since last update

POWER UNIT-LPG LEV



POWER UNIT-LPG LEV

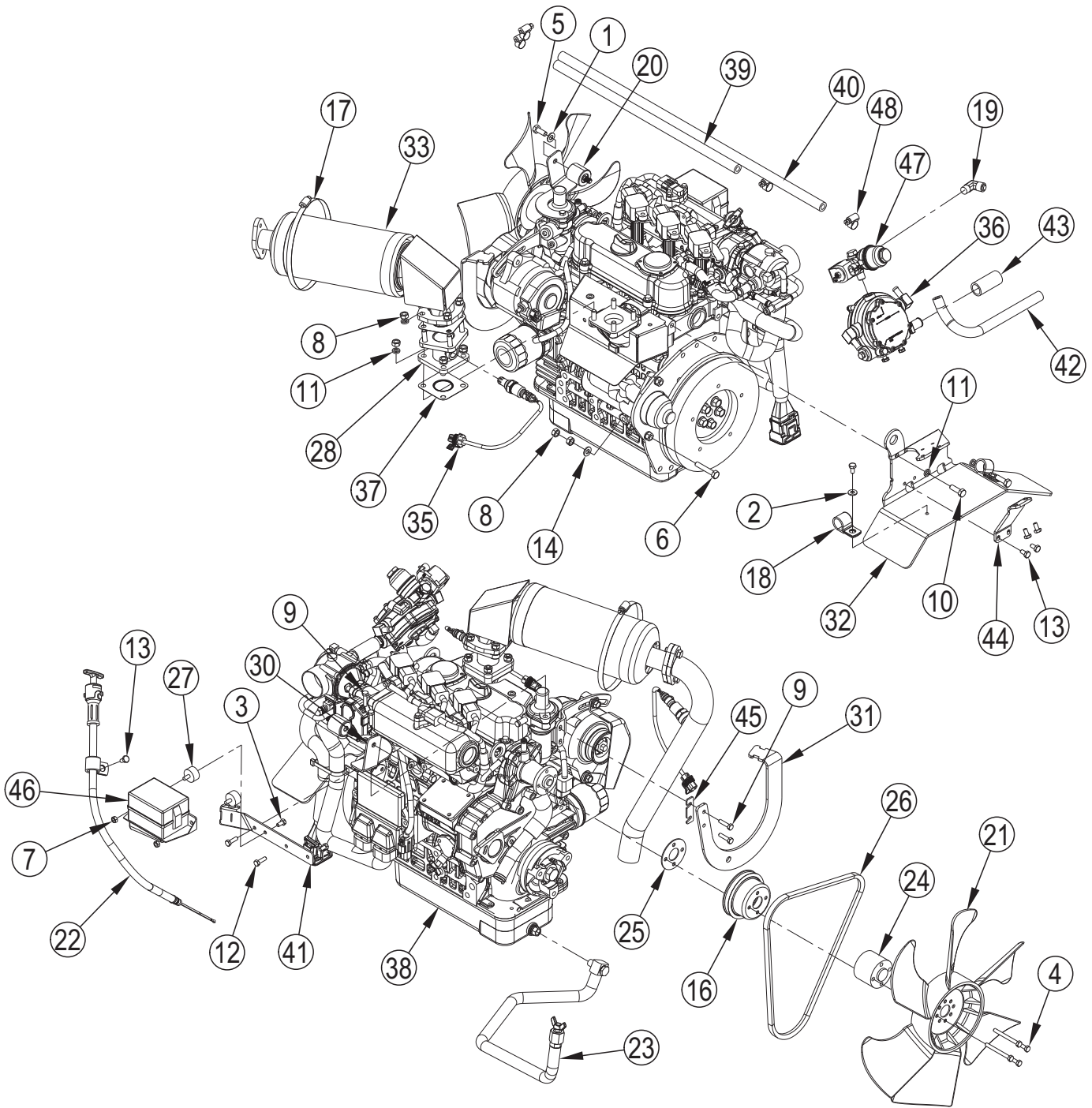
| Kit | Item | Ref. No. | Qty | Description |
|-----|------|------------|-----|---|
| | 1 | 56001879 | 3 | Wsh-Flt Sae 1/2 |
| | 2 | 56001939 | 1 | Wsh, Flt Sae 5/16 |
| | 3 | 56001968 | 2 | Scr-Hex 1/2-13 X 1.50 |
| | 4 | 56002063 | 12 | Wsh, Flt Sae 3/8 |
| | 5 | 56002098 | 3 | Wsh, Flt Sae 1/4 |
| | 6 | 56003431 | 2 | Scr Hex Ss M6-1.00x16mm |
| | 7 | 56003019 | 12 | Scr-Hex M10-1.25 X 25mm |
| | 8 | 56003352 | 1 | Nut-Hex M8-1.25 |
| | 9 | 56003740 | 3 | Scr, Hex Thd To Hd 1/2-13 X 2.00 |
| | 10 | 56009250 | 3 | Scr, Hex Thd Form 1/4-20 X .62 |
| | 11 | 56244969 | 2 | Clamp- Hose Sae #12 |
| | 13 | 56413839 | 2 | Clamp- Hose Sae #20 |
| | 15 | 56478685 | 2 | Mount, Rubber |
| | 16 | 56507448 | 2 | Washer, Isolator Tail |
| | 17 | 56511908 | 1 | Radiator NOTE 1 TSB-FC-2017-046 |
| | 18 | 56511663 | 1 | Alternator-42v G1 |
| | [] | 56511632 | 1 | Sheave-3V x 5.00 (for 56511663 in LPG) |
| | 19 | 56509442 | 1 | Belt-3vx X 45.0 |
| | 20 | 56509443 | 1 | Sheave-3v X 8.00 |
| | 21 | 56511632 | 1 | Sheave-3v X 5.00 |
| | 22 | 56509570 | 1 | Eng/Alt Mnt Weldt |
| | 23 | | 1 | Tensioner Assy |
| | 23a | 56509923 | 1 | Tensioner-Automatic (for Tensioner Assy) |
| | 23b | 56003314 | 1 | Ring Ret Int Type Ho 2.047 Dia (for Tensioner Assy) |
| | 23c | 56509716 | 1 | Bearing (for Tensioner Assy) |
| | 23d | 56510854 | 1 | Idler Pulley Kit (for Tensioner Assy) |
| | 24 | 56510090 | 1 | Hose-Air Cleaner |
| | 25 | 56510128 | 1 | Hose-Radiator |
| | 26 | 56510129 | 1 | Hose-Radiator |
| | 28 | 56510958 | 1 | Hose-Coolant |
| | 29# | | 1 | Engine Assembly-Lpg Lev (See pages 54 and 55) |
| | 30 | 56511910 | 1 | Bracke-Radiator Support |
| | 32 | 56511520 | 1 | Hose Assembly-Intake |
| | 33 | 56740136 | 1 | Plug, Pipe |
| | 34 | 56756360 | 1 | Barb,Hose Female |
| | 35 | 2-00-06532 | 5 | Hhc, M8 X 1.25 X 40mm |
| | 36 | 56383568 | 1 | Voltage Regulator Kit-42v |
| | 37 | 56003638 | 2 | Wsh Flt Ss M6 |
| | 38 | 56756364 | 2 | Clamp Hose Sae 4 E00047 |

[] = Not Shown

= Revised or new since last update

NOTE 1: Please order Radiator LPG Kit 56511916 if you are replacing the Radiator 56509210 which has been obsoleted and replaced by Kit 56511916.

ENGINE ASSEMBLY-LPG LEV

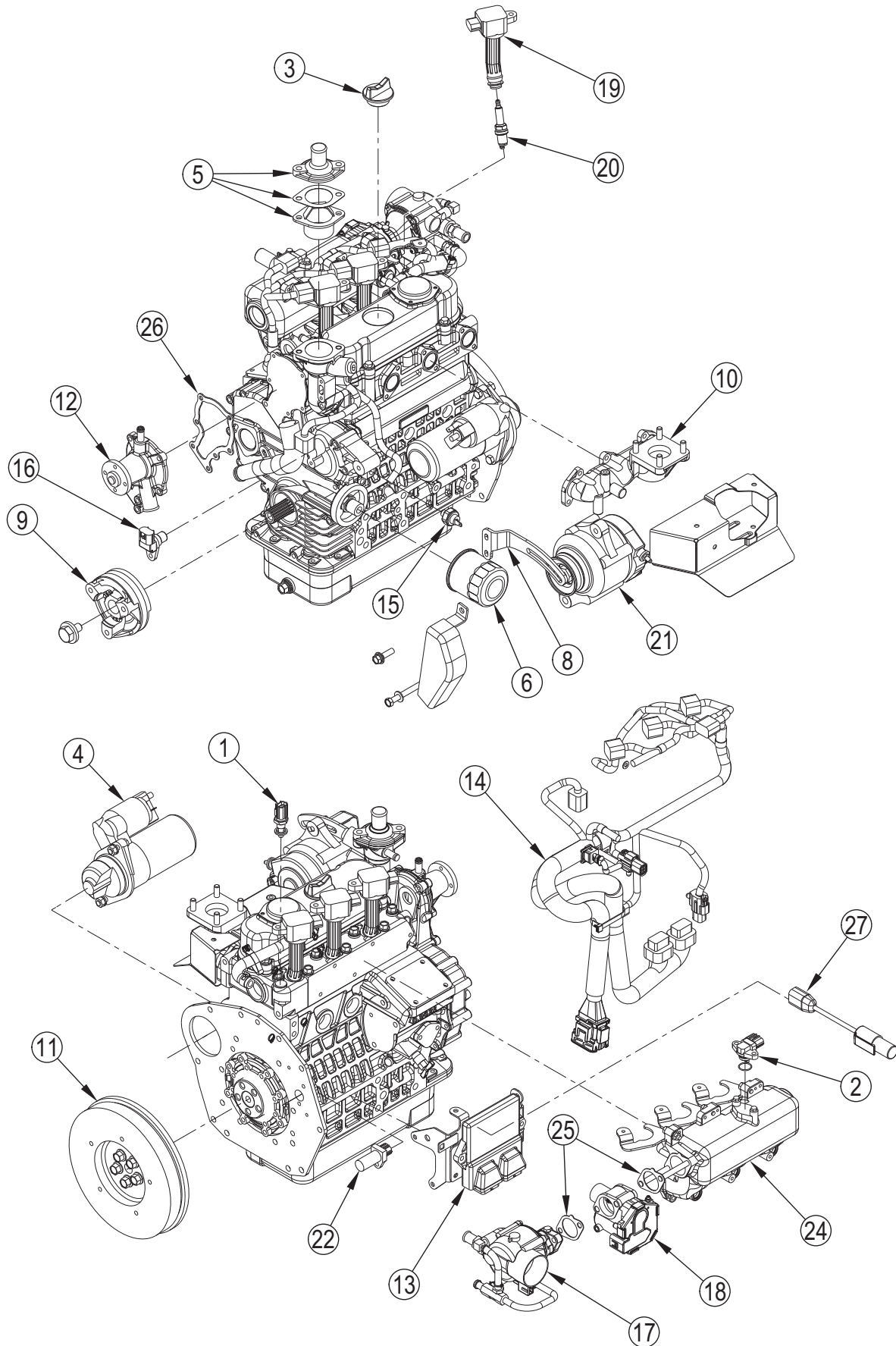


ENGINE ASSEMBLY-LPG LEV

| Kit | Item | Ref. No. | Qty | Description |
|------------|-------------|-----------------|------------|---|
| | 1 | 56001939 | 1 | Wsh, Flt Sae 5/16 |
| | 2 | 56002098 | 2 | Wsh, Flt Sae 1/4 |
| | 3 | 56003155 | 2 | Scr-Hex M6-1 X 12mm |
| | 4 | 56003169 | 4 | Scr-Hex M6-1 X 60mm |
| | 5 | 56003179 | 1 | Scr, Hex Thd To Hd M8-1.25 X 20mm |
| | 6 | | 1 | Scr, Hex Thd To Hd M8-1.25 X 45mm |
| | 7 | 56003350 | 2 | Nut-Hex M6-1 |
| | 8 | 56003352 | 11 | Nut-Hex M8-1.25 |
| | 9 | 56003358 | 4 | Scr-Hex M6-1 X 25mm |
| | 10 | 56003477 | 2 | Scr-Hex Loc Ss M8-1 X 25mm |
| | 11 | 56003685 | 10 | Wsh, Nord-Lock M8 |
| | 12 | 56003841 | 2 | Scr-Hex Loc Ss M6-1 X 20mm |
| | 13 | 56009033 | 7 | Scr, Hex Thd Form 1/4-20 X .50 |
| | 14 | 56009052 | 2 | Wsh, Int Shprf 5/16 |
| | 16 | 56307249 | 1 | Pulley, Fan (89mm) |
| | 17 | 56355488 | 1 | Clamp- Hose Sae #96 |
| | 19 | 56456608 | 1 | Elbow-Male 90 |
| | 20 | 56507372 | 1 | Isolator-Engine |
| | 21 | 56510140 | 1 | Fan-Cooling |
| | 22 | | 1 | Dipstick Assy |
| | 23 | 56510200 | 1 | Remote Oil Drain Assy |
| | 24 | 56510553 | 1 | Spacer-Fan |
| | 25 | 56510554 | 1 | Spacer-Pulley |
| | 26 | 56511577 | 1 | Belt-Fan-34.75 Od |
| | 27 | 56510718 | 2 | Isolator-Relay Box |
| | 28 | 56511504 | 1 | O2 Sensor Adaptor Weldment |
| | 30 | 56511514 | 1 | Bracket-Radiator Mount |
| | 31 | 56511516 | 1 | Bracket-Muffler Support |
| | 32 | 56511517 | 1 | Bracket-Mount-Lp Regulator |
| | 33 | 56511518 | 1 | Muffler-Catalytic |
| | 35 | 56511522 | 1 | Sensor-Oxygen-WG972 Eng |
| | 36 | 56511523 | 1 | Regulator-Lp Gas |
| | 37 | 56511524 | 2 | Gasket-Exhaust |
| | 38# | | 1 | Engine-Base Lpg WG972 (See pages 56 and 57) |
| | 39 | 56511526 | 1 | Hose-Coolant-3/8x11/16x18 |
| | 40 | 56511527 | 1 | Hose-Coolant-3/8x11/16x26 |
| | 41 | 56511528 | 1 | Bracket-Support-Dipstick |
| | 42 | 56511529 | 1 | Hose-Regulator Trim |
| | 43 | 56511530 | 1 | Hose-Lpg Vapor |
| | 44 | 56511542 | 1 | Bracket-Brace-Mount |
| | 45 | 56511543 | 1 | Shim-Muffler Support |
| | 46 | 56511562 | 1 | Harness-Engine-Intermediate |
| | 47# | 56511563 | 1 | Valve-Lpg Lockoff-12y |
| | 48 | 56756364 | 4 | Clamp- Hose Sae #4 |

= Revised or new since last update

ENGINE BASE-REPLACEMENT PARTS-LPG LEV

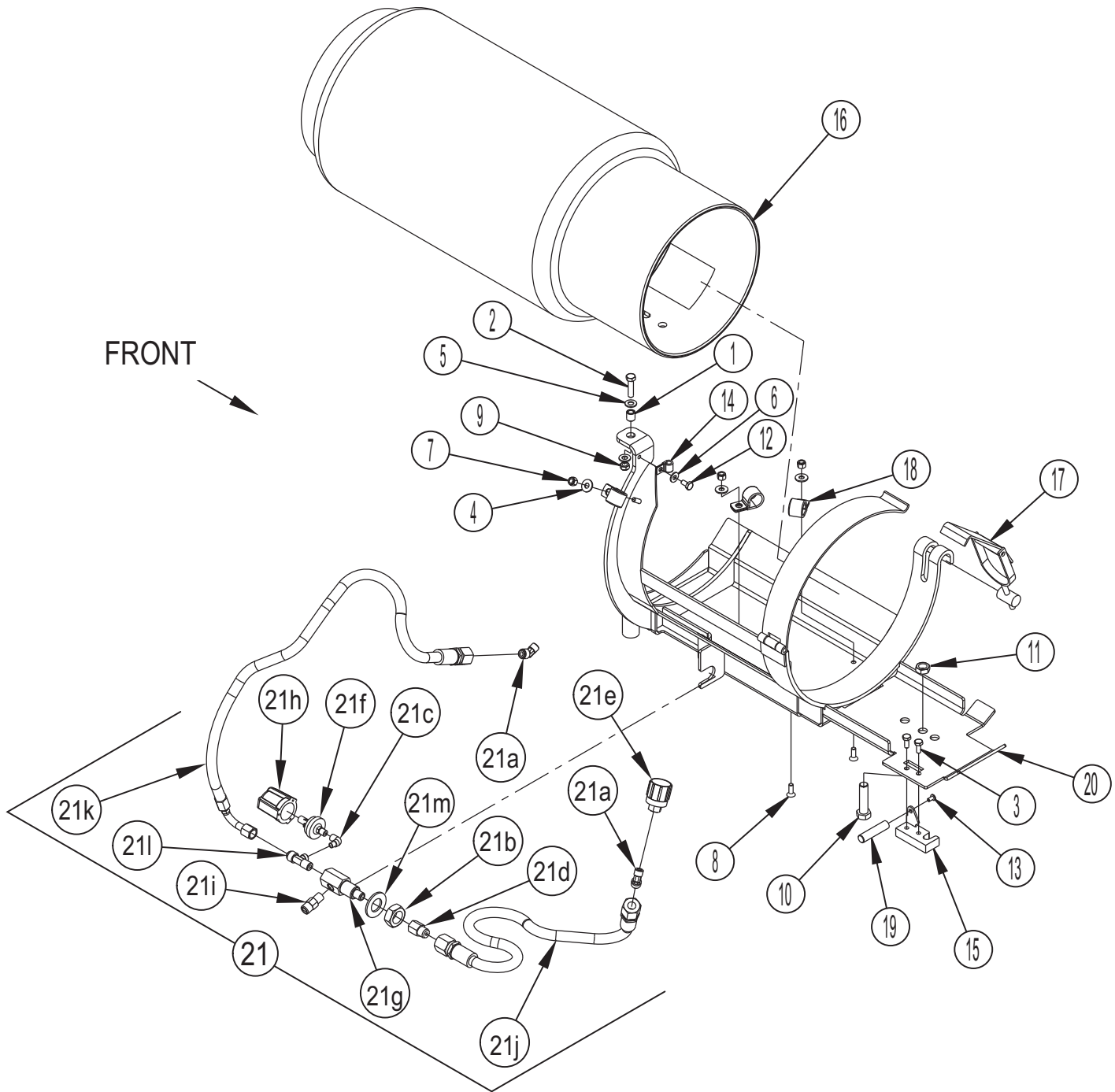


ENGINE BASE-REPLACEMENT PARTS-LPG LEV

| Kit | Item | Ref. No. | Qty | Description |
|-----|------|------------|-----|--------------------------------|
| | 1 | 56107721 | 1 | Water Temp Sensor W/Seal |
| | 2 | 56107744 | 1 | Tmap Sensor |
| | 3 | 56383025 | 1 | Cap-Oil Fill |
| | 4 | 56508440 | 1 | Starter Assembly |
| | 5 | 56508454 | 1 | Thermostat Kit |
| | 6 | 56511572 | 1 | Filter-Oil-Wg972 Efi Engine |
| | [7] | 56511566 | 1 | Upper Engine Gasket Kit-Wg972 |
| | 8 | 56510978 | 1 | Bracket-Alternator Adj |
| | 9 | 56510979 | 1 | Pulley-Crankshaft |
| | 10 | 56511546 | 1 | Manifold-Exhaust-Wg972 Engine |
| | 11 | 56511547 | 1 | Flywheel-Wg972 Engine |
| | 12 | 56511549 | 1 | Pump-Water-Wg972 Engine |
| | 13 | 56511550 | 1 | Ecu-Wg972 Engine |
| | 14 | 56511551 | 1 | Harness-Engine Control |
| | 15 | 56511552 | 1 | Switch-Oil Pressure-Wg972 Eng |
| | 16 | 56511553 | 1 | Sensor-Cam Position |
| | 17 | 56511554 | 1 | Mixer |
| | 18 | 56511555 | 1 | Throttle Body |
| | 19 | 56511556 | 3 | Ignition Coil |
| | 20 | 56511557 | 3 | Spark Plug-Lev Wg972 Engine |
| | 21 | 0775-295 | 1 | Alternator With Pulley 40a |
| | 22 | 2-00-06354 | 1 | Crank/Rpm Sensor |
| | [23] | 56511573 | 1 | Bottom Engine Gasket Kit-Wg972 |
| | 24 | 56511548 | 1 | Manifold-Intake Wg972 |
| | 25 | 56511571 | 2 | Gasket-Throttle Body |
| | 26 | 56511574 | 1 | Gasket-Water Pump-Wg972 Engine |
| | 27 | 56511575 | 1 | Cable-Ecom Adaptor |

[] = Not Shown

LPG TANK ASSEMBLY

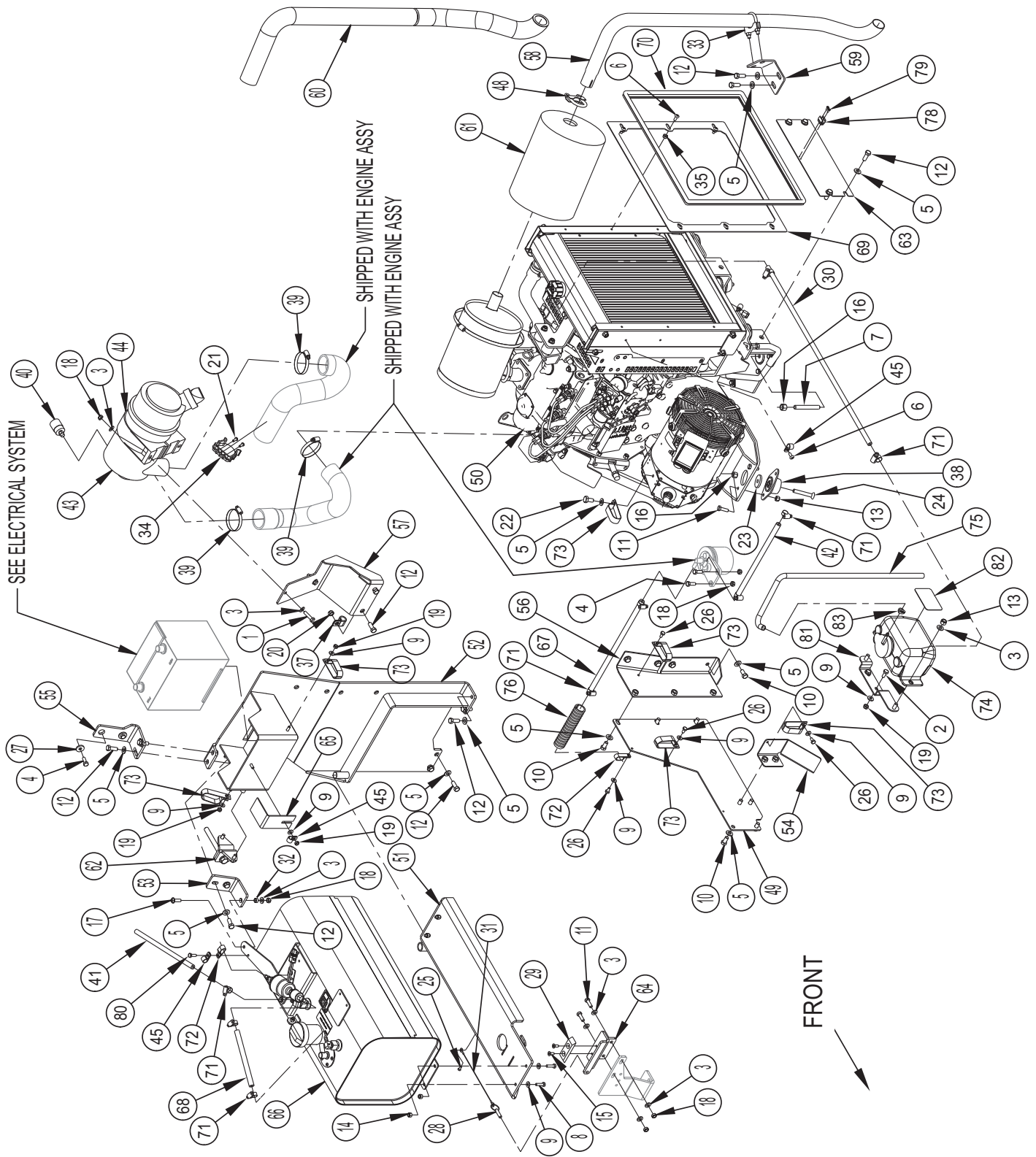


LPG TANK ASSEMBLY

| Kit | Item | Ref. No. | Qty | Description |
|---------------------|-------------|-----------------|------------|----------------------------------|
| K2 | 1 | | 1 | Bushing |
| K2 | 2 | | 1 | Scr, Hex 5/16-18 X 1.25 |
| K2 | 3 | | 2 | Scr, Hex 1/4-20 X .62 |
| K2 | 4 | | 3 | Wsh, Flt Std 1/4 |
| K2 | 5 | | 2 | Wsh, Flt SAE 5/16 |
| K2 | 6 | | 1 | Wsh, Flt SAE 1/4 |
| K2 | 7 | | 3 | Nut, Hex Nyl Loc 1/4-20 |
| K2 | 8 | | 2 | Scr, Flt Phil 1/4-20 X .75 |
| K2 | 9 | | 1 | Nut, Hex Nyl Loc-Thin 5/16-18 |
| K2 | 10 | | 1 | Scr, Hex Thd To Hd 1/2-13 X 2.00 |
| K2 | 11 | | 1 | Nut, Hex Jam 1/2-13 |
| K2 | 12 | | 1 | Scr, Hex Thd Form 1/4-20 X .50 |
| K1,K2 | 13 | | 1 | Scr, Pan Phil Loc 10-24 X .38 |
| | 14 | 56323260 | 1 | Clamp, Hose Support |
| K1 | 15 | | 1 | Latch, Rh |
| | 16 | 56456590 | 1 | L.P. Tank, 33lb. |
| | 17 | 56481997 | 1 | Toggle |
| | 18 | 56496276 | 3 | Clamp, Hose Support |
| K1 | 19 | | 1 | Pin |
| | 20 | 56509746 | 1 | Fuel Tank Mt Weldt-P |
| | 21 | 56510095 | 1 | LP Filter Assembly |
| | 21a | 56456598 | 2 | Elbow,45 Male 45 Flared |
| | 21b | 56002615 | 1 | Nut, Hex Jam 7/8-14 |
| | 21c | 56111309 | 1 | Elbow, 90 Street |
| | 21d | 56305505 | 1 | Adapter-SAE 45 Deg. |
| | 21e | 56369675 | 1 | Coupler-Female |
| | 21f# | 56418381 | 1 | Switch-N.C. Pressure SW5 |
| | 21g | 56418934 | 1 | Fitting-Bulkhead |
| | 21h | 56419241 | 1 | Dust Boot |
| | 21i | 56456624 | 1 | Vent-1/4 Npt |
| | 21j | 56510298 | 1 | LPG Hose Assy |
| | 21k | 56384953 | 1 | LPG Hose Assy |
| | 21l | 56900921 | 1 | Tee 1/4 Npt X 1/8 Npt X 3/8 Jic |
| | 21m | 56002228 | 1 | Wsh Flt SAE 7/8 |
| Service Kits | | | | |
| K1 | 56510798 | | 1 | Latch Kit-LPG Tank Assy |
| K2 | 56510799 | | 1 | Hardware Kit-LPG Tank Assy |

= Revised or new since last update

ENGINE SYSTEM-DIESEL



ENGINE SYSTEM-DIESEL

| Kit | Item | Ref. No. | Qty | Description |
|-----|------|----------|-----|-----------------------------------|
| K1 | 1 | | 2 | Scr. Hex 5/16-18 X 1.25 |
| K1 | 2 | | 2 | Scr. Hex 1/4-20 X .62 |
| K1 | 3# | | 11 | Wsh. Flt SAE 5/16 |
| K1 | 4 | | 4 | Scr. Hex 5/16-18 X .88 |
| K1 | 5 | | 25 | Wsh. Flt SAE 3/8 |
| K1 | 6 | | 7 | Scr-Pan Phil 1/4-20 X .62 |
| K1 | 7 | | 3 | Stud-Double Ended |
| K1 | 8 | | 4 | Scr. Hex 1/4-20 X 1.00 |
| K1 | 9 | | 12 | Wsh. Flt SAE 1/4 |
| K1 | 10 | | 11 | Scr. Hex 3/8-16 X .75 |
| K1 | 11 | | 10 | Scr. Hex 5/16-18 X 1.00 |
| K1 | 12 | | 16 | Scr. Hex 3/8-16 X 1.00 |
| K1 | 13# | | 10 | Nut. Hex Nyl Loc 5/16-18 |
| K1 | 14 | | 4 | Nut. Hex Nyl Loc 1/4-20 |
| K1 | 15 | | 2 | Scr. Flt Phil 1/4-20 X .62 |
| K1 | 16 | | 4 | Nut-Hex Nyl Loc 3/8-16 |
| K1 | 17 | | 1 | Scr-Pan Phil 5/16-18 X 1.00 |
| K1 | 18 | | 7 | Nut. Hex Nyl Loc-Thin 5/16-18 |
| K1 | 19 | | 5 | Nut. Hex Nyl Loc-Thin 1/4-20 |
| K1 | 20 | | 1 | Nut. Hex Nyl Loc-Thin 3/8-16 |
| K1 | 21 | | 2 | Scr Panphil Thd Form 10-24x.50 |
| K1 | 22 | | 1 | Scr. Hex Thd To Hd M10-1.5 X 20mm |
| | 23 | 56367117 | 4 | Wsh Flt Steel .406cv31c |
| K1 | 24 | | 1 | Scr-Flt Soc Ss 3/8-16 X 2.50 |
| K1 | 25 | | 1 | Scr. Hex Thd Form 10-24 X .38 |
| K1 | 26 | | 4 | Scr. Hex Thd Form 1/4-20 X .50 |
| K1 | 27 | | 2 | Wsh. Flt .344 X .938 X .125 |
| | 28 | 56050356 | 1 | Pin Quickrise--.312dia .625l |
| | 29 | 56110514 | 1 | Skid |
| | 30 | 56510953 | 1 | Hose-Black 1/4 ID x 25 |
| | 31 | 56314400 | 1 | Wire Rope, 9 Inch |
| | 32 | 56320595 | 1 | Bushing .32x.50x.28 |
| | 33 | 56343236 | 1 | Clamp. Muffler 1.50 |
| | 34 | 56396199 | 1 | Clamp. Plastic |
| | 35 | 56410057 | 6 | Bushing. .26 Id X .50 Od |
| | 37 | 56419120 | 1 | Clamp. Hose Support |
| | 38 | 56419300 | 4 | Mount, Isolator, Stiff |
| | 39 | 56440213 | 3 | Clamp- Hose SAE #32 |
| | 40 | 56478461 | 1 | Indicator. Service |
| | 41 | 56478488 | 1 | Hose-Fuel |
| | 42 | 56481686 | 1 | Hose-Fuel Line |

| Kit | Item | Ref. No. | Qty | Description |
|-----|------|------------|-----|--|
| | 43 | 56482478 | 1 | Cleaner. Air |
| | [] | 56482028 | 1 | Filter Safety (for 56482478) |
| | [] | 56482029 | 1 | Filter Primary (for 56482478) |
| | 44 | 56482621 | 1 | Band Assy |
| | 45 | 56486112 | 3 | Clamp-P |
| | 48 | 56508391 | 1 | Clamp. Muffler |
| | 49 | 56511142 | 1 | Plate-Tank Guard |
| | 50# | | 1 | Diesel Engine Assy |
| | | | | (See pages 62 and 63) NOTE 1 |
| | # | | 1 | Diesel Engine Assy-D1305-E4B |
| | | | | (See pages 64 and 65) NOTE 2 |
| | 51 | 56511128 | 1 | Tank Pivot Weldt |
| | 52 | 56511118 | 1 | Fuel Tank Support Weldt |
| | 53 | 56511174 | 1 | Bracket-Tank Pivot |
| | 54 | 56509986 | 1 | Cable Bracket Weldt |
| | 55 | 56511120 | 1 | Bracket-Tank Support |
| | 56 | 56511143 | 1 | Guard Mnt Weldt |
| | 57 | 56510159 | 1 | Air Cleaner Mnt Weldt |
| | 58 | 56510167 | 1 | Tailpipe-Diesel |
| | 59 | 56510169 | 1 | Bracket-Tailpipe |
| | 60 | 56383071 | 1 | Exhaust Blanket Kit-Diesel |
| | 61 | 56383072 | 1 | Exhaust Blanket Kit-Diesel |
| | 62 | 56511199 | 1 | Belt Removal Tool |
| | 63 | 56510284 | 1 | Plate-Guard |
| | 64 | 56510295 | 1 | Mount Weldt |
| | 65 | 56511122 | 1 | Holddown-Battery |
| | 66# | 56511868 | 1 | Tank-Diesel Assy (See pages 70 and 71) |
| | 67 | 56510628 | 1 | Hose-Fuel |
| | 68 | 56510630 | 1 | Hose-Fuel |
| | 69 | 56511915 | 1 | Mount-Radiator Seal |
| | 70 | 56510730 | 1 | Trim-Seal |
| | 71# | 56756364 | 9 | Clamp- Hose SAE #4 |
| | 72 | 2-00-04603 | 2 | Clamp double 1/2 Od |
| | 73 | 2-00-05253 | 6 | Clamp. 3/4" Wire. Double |
| | 74 | 7-07-02002 | 1 | Overflow Bottle Assy |
| | 75 | 7-33-02644 | 1 | Hose, 1/4" Id X 28" Long. Clear |
| | 76 | 56419452 | 1 | Conduit |
| | 78 | 56510834 | 1 | Clip-Spring 1/2 |
| K1 | 79 | | 2 | Scr Pan Phil SS 6-32 X .38 |
| K1 | 80 | | 1 | Scr Hex Thd Form 1/4-20x .75 |
| | 81# | 56394242 | 1 | Bracket-Overflow Bottle |
| | 82# | 56015463 | 1 | Decal Coolant Level |
| | 83# | 56384956 | 1 | Clamp-Hose |

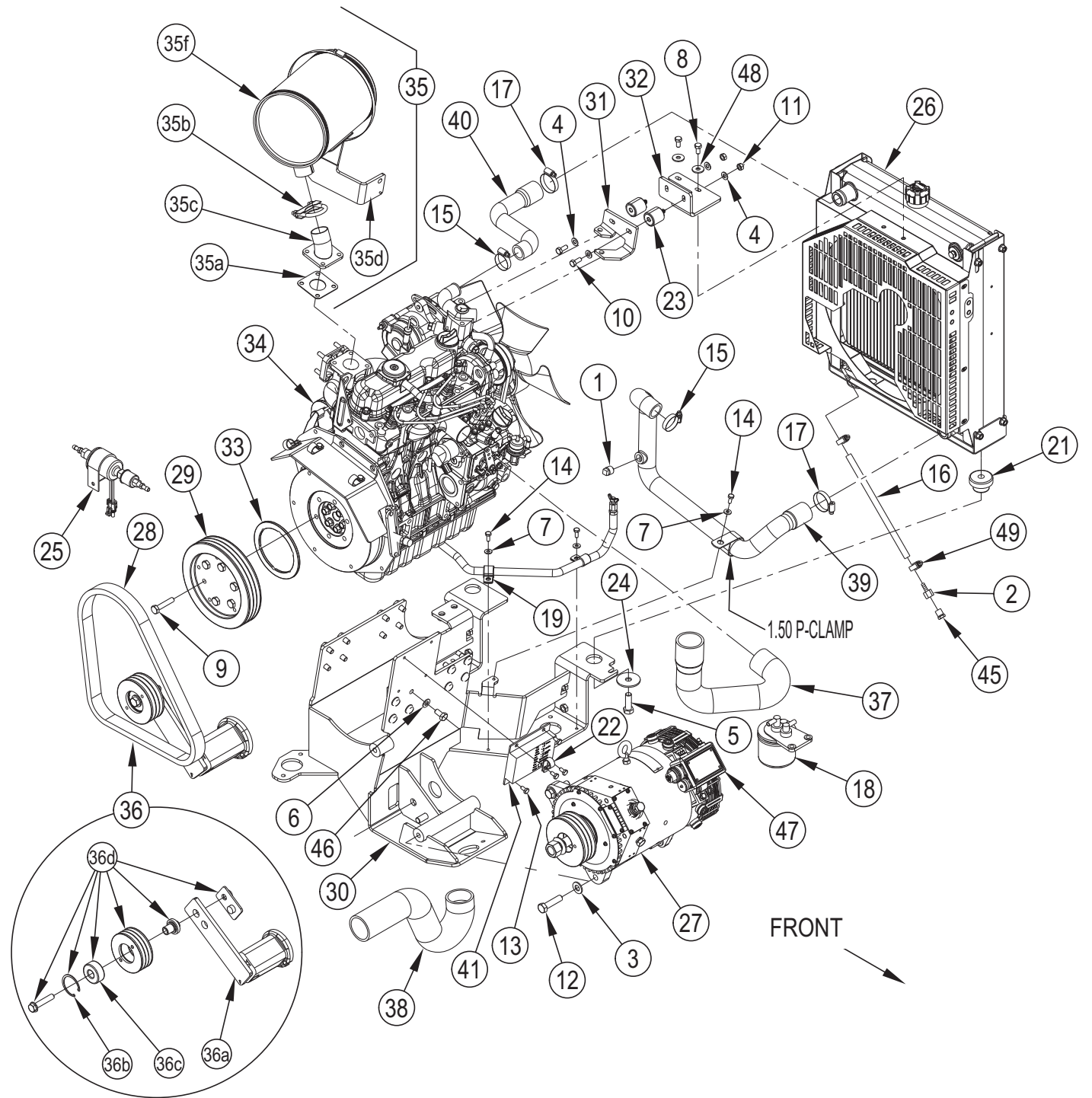
Service Kits

| | | | |
|----|----------|---|-----------------------------------|
| K1 | 56510797 | 1 | Hardware Kit-Engine System Diesel |
|----|----------|---|-----------------------------------|

[] = Not Shown
 # = Revised or new since last update

NOTE 1:# .The old CS7010 Diesel Engine will become obsolete at the end of December 2018 and replaced with the new Diesel Engine Assy-D1305-E4B.
NOTE 2:# Starting January 1st all Diesel CS7010 machines will have a new diesel engine that will comply with the new Tier IV requirements.

ENGINE ASSEMBLY-DIESEL - BEFORE JANUARY 2019



ENGINE ASSEMBLY-DIESEL – BEFORE JANUARY 2019

| Kit | Item | Ref. No. | Qty | Description |
|-----|------|----------|-----|--|
| | 1 | 56744580 | 1 | Plug, Npt 3/8 Brass |
| | 2 | 56756360 | 1 | Barb, Hose Female |
| | 3 | 56001879 | 3 | Wsh-Flt SAE 1/2 |
| | 4 | 56001939 | 4 | Wsh, Flt SAE 5/16 |
| | 5 | 56001968 | 2 | Scr, Hex 1/2-13 X 1.50 |
| | 6 | 56002063 | 16 | Wsh, Flt SAE 3/8 |
| | 7 | 56002098 | 3 | Wsh, Flt SAE 1/4 |
| | 8 | 56003431 | 2 | Scr Hex Ss M6-1.00x16mm |
| | 9 | 56003021 | 6 | Scr-Hex M10-1.25 X 50mm |
| | 10 | 56003179 | 2 | Scr, Hex Thd To Hd M8-1.25 X 20mm |
| | 11 | 56003352 | 2 | Nut, Hex M8-1.25 |
| | 12 | 56003740 | 3 | Scr, Hex Thd To Hd 1/2-13 X 2.00 |
| | 13 | 56009033 | 4 | Scr, Hex Thd Form 1/4-20 X .50 |
| | 14 | 56009250 | 3 | Scr, Hex Thd Form 1/4-20 X .62 |
| | 15 | 56131601 | 2 | Clamp- Hose SAE #16 |
| | 16 | 56510958 | 1 | Hose-Coolant |
| | 17 | 56413839 | 2 | Clamp- Hose SAE #20 |
| | 18 | 56419054 | 1 | Fuel Filter Kit |
| | 19 | 56419120 | 2 | Clamp, Hose Support |
| | 21 | 56478685 | 2 | Mount, Rubber |
| | 22 | 56486112 | 1 | Clamp-P |
| | 23 | 56507372 | 2 | Isolator-Engine |
| | 24 | 56507448 | 2 | Washer, Isolator Tail |
| | 25 | 56511864 | 1 | Pump-Fuel-Electronic M25 |
| | 26 | 56511909 | 1 | Radiator |
| | 27 | 56511663 | 1 | Alternator-42VDC-10KW G1 |
| | [] | 56511661 | 1 | Sheave-3V x 4.50 x .875 (for 56509345 in diesel) |
| | 28 | 56509442 | 1 | Belt-3vx X 45.0 |
| | 29 | 56509443 | 1 | Sheave-3v X 8.00 |
| | 30 | 56509452 | 1 | Eng/Alt Mnt Weldt |

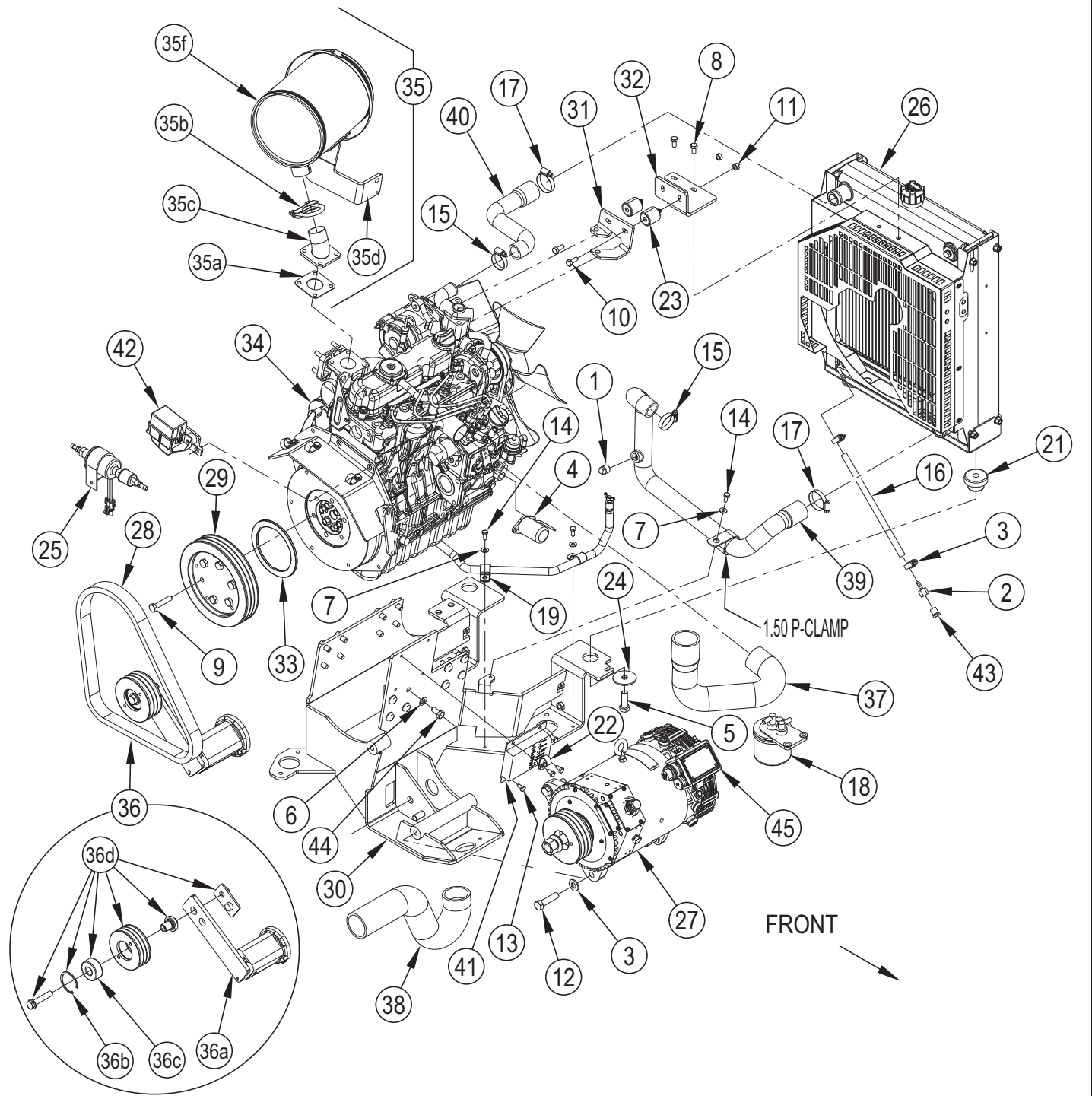
| Kit | Item | Ref. No. | Qty | Description |
|-----|------|------------|-----|--|
| | 31 | 56509510 | 1 | Bracket-Diesel Radiator |
| | 32 | 56511912 | 1 | Bracket-Radiator NOTE 1 TSB-FC-2017-046 |
| | 33 | 56509740 | 1 | Plate-Spacer |
| | 34# | | 1 | Diesel Engine Assy (See pages 66 and 67) |
| | 35 | | 1 | Diesel Exhaust Assy |
| | 35a | 56419107 | 1 | Exhaust Gasket |
| | 35b | 56456833 | 1 | Clamp, Muffler 1.62 |
| | 35c | 56510170 | 1 | Exhaust Pipe Weldt |
| | 35d | 56510172 | 1 | Muffler Support Weldt |
| | 35f | 7-49-00038 | 1 | Muffler |
| | 36 | | 1 | Tensioner Assy |
| | 36a | 56509923 | 1 | Tensioner-Automatic (for Tensioner Assy) |
| | 36b | 56003314 | 1 | Ring Ret Int Type Ho 2.047 Dia (for Tensioner Assy) |
| | 36c | 56509716 | 1 | Bearing (for Tensioner Assy) |
| | 36d | 56510854 | 1 | Idler Pulley Kit (for Tensioner Assy) |
| | 37 | 56510077 | 1 | Hose-Air Cleaner |
| | 38 | 56510090 | 1 | Hose-Air Cleaner |
| | 39 | 56510126 | 1 | Hose-Radiator |
| | 40 | 56510127 | 1 | Hose-Radiator |
| | 41 | 56510350 | 1 | Governor-Controller |
| | [44] | 56511876 | 1 | Harness-Kubota Diesel |
| | 45 | 56740136 | 1 | Plug, Pipe |
| | 46 | 2-00-05958 | 16 | Hhc, M10 X 1.25 X 20mm |
| | 47 | 56383568 | 1 | Voltage Regulator Kit-42v |
| | 48 | 56003638 | 2 | Wsh Flt Ss M6 |
| | 49 | 56756364 | 2 | Clamp Hose Sae 4 E00047 |

[] = Not Shown

= Revised or new since last update

NOTE 1: Please order Radiator Diesel Kit 56511918 if you are replacing the Radiator 56509210 which has been obsoleted and replaced by Kit 56511918.

ENGINE ASSEMBLY-DIESEL - AFTER DECEMBER 2018



ENGINE ASSEMBLY-DIESEL – AFTER DECEMBER 2018

| Kit | Item | Ref. No. | Qty | Description |
|-----|------|----------|-----|--|
| | 1# | 56744580 | 1 | Plug, Npt 3/8 Brass |
| | 2# | 56756360 | 1 | Barb, Hose Female |
| | 3# | 56756364 | 2 | Clamp Hose Sae 4 E00047 |
| | 4# | 56508490 | 1 | Throttle/Shut Down Actuator |
| | 5# | 56001968 | 2 | Scr, Hex 1/2-13 X 1.50 |
| | 6# | 56002063 | 18 | Wsh, Flt SAE 3/8 |
| | 7# | 56002098 | 1 | Wsh, Flt SAE 1/4 |
| | 8# | 56003431 | 3 | Scr Hex Ss M6-1.00x16mm |
| | 9# | 56003021 | 6 | Scr-Hex M10-1.25 X 50mm |
| | 10# | 56003179 | 3 | Scr, Hex Thd To Hd M8-1.25 X 20mm |
| | 11# | 56003352 | 2 | Nut, Hex M8-1.25 |
| | 12# | 56003740 | 3 | Scr, Hex Thd To Hd 1/2-13 X 2.00 |
| | 13# | 56009033 | 4 | Scr, Hex Thd Form 1/4-20 X .50 |
| | 14# | 56009250 | 3 | Scr, Hex Thd Form 1/4-20 X .62 |
| | 15# | 56131601 | 2 | Clamp- Hose SAE #16 |
| | 16# | 56510958 | 1 | Hose-Coolant |
| | 17# | 56413839 | 2 | Clamp- Hose SAE #20 |
| | 18# | 56419054 | 1 | Fuel Filter Kit |
| | 19# | 56419120 | 2 | Clamp, Hose Support |
| | 21# | 56478685 | 2 | Mount, Rubber |
| | 22# | 56486112 | 1 | Clamp-P |
| | 23# | 56507372 | 2 | Isolator-Engine |
| | 24# | 56507448 | 2 | Washer, Isolator Tail |
| | 25# | 56511864 | 1 | Pump-Fuel-Electronic M25 |
| | 26# | 56511909 | 1 | Radiator |
| | 27# | 56511663 | 1 | Alternator-42VDC-10KW G1 |
| | []# | 56511661 | 1 | Sheave-3V x 4.50 x .875 (for 56509345 in diesel) |
| | 28# | 56509442 | 1 | Belt-3vx X 45.0 |
| | 29# | 56509443 | 1 | Sheave-3v X 8.00 |
| | 30# | 56509452 | 1 | Eng/Alt Mnt Weldt |

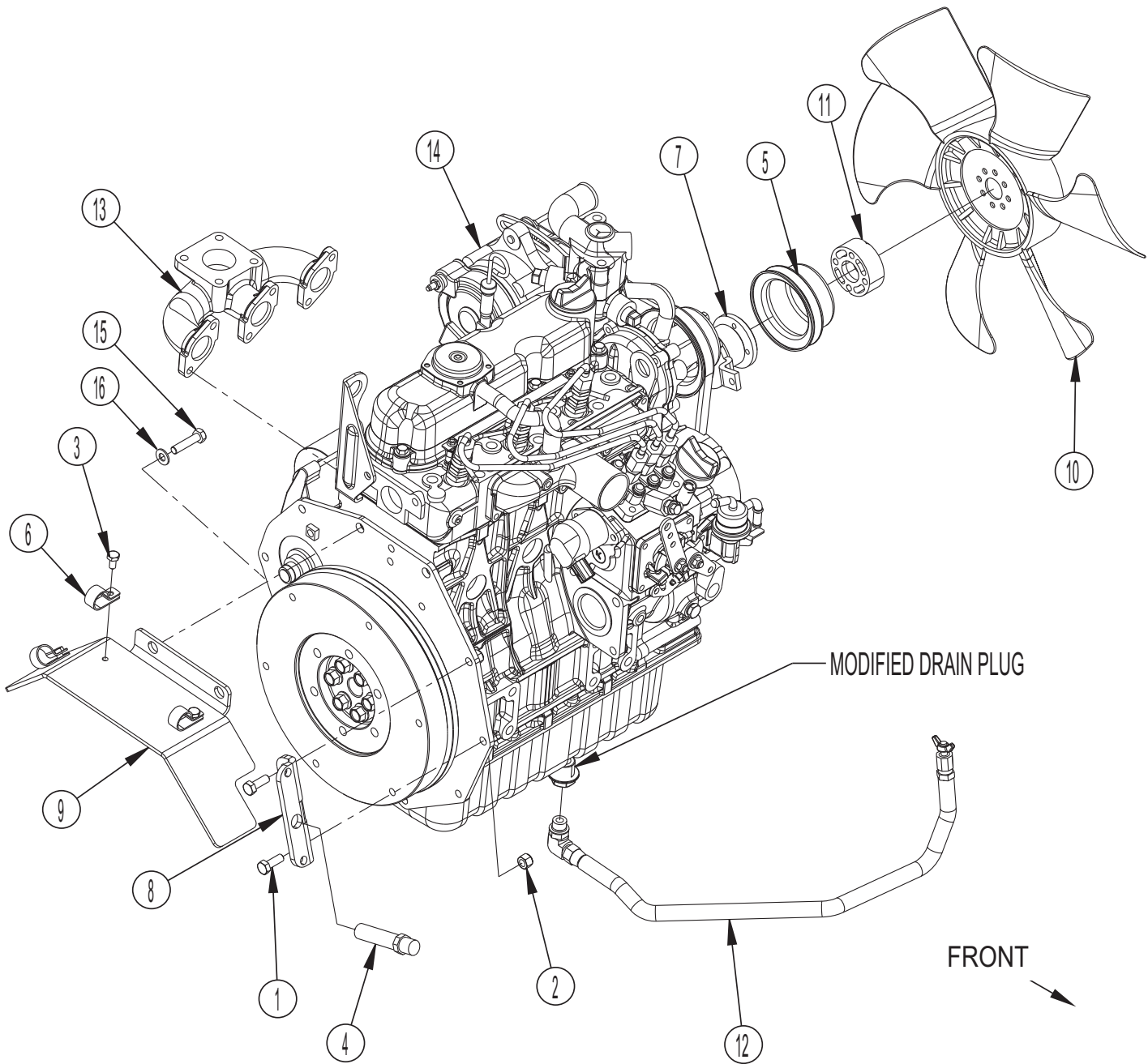
| Kit | Item | Ref. No. | Qty | Description |
|-----|------|------------|-----|--|
| | 31# | 56509510 | 1 | Bracket-Diesel Radiator |
| | 32# | 56511912 | 1 | Bracket-Radiator NOTE 1 TSB-FC-2017-046 |
| | 33# | 56509740 | 1 | Plate-Spacer |
| | 34# | | 1 | Diesel Engine Assy (See pages 68 and 69) |
| | 35# | | 1 | Diesel Exhaust Assy |
| | 35a# | 56419107 | 1 | Exhaust Gasket |
| | 35b# | 56456833 | 1 | Clamp, Muffler 1.62 |
| | 35c# | 56510170 | 1 | Exhaust Pipe Weldt |
| | 35d# | 56510172 | 1 | Muffler Support Weldt |
| | 35f# | 7-49-00038 | 1 | Muffler |
| | 36# | | 1 | Tensioner Assy |
| | 36a# | 56509923 | 1 | Tensioner-Automatic (for Tensioner Assy) |
| | 36b# | 56003314 | 1 | Ring Ret Int Type Ho 2.047 Dia (for Tensioner Assy) |
| | 36c# | 56509716 | 1 | Bearing (for Tensioner Assy) |
| | 36d# | 56510854 | 1 | Idler Pulley Kit (for Tensioner Assy) |
| | 37# | 56510077 | 1 | Hose-Air Cleaner |
| | 38# | 56510090 | 1 | Hose-Air Cleaner |
| | 39# | 56510126 | 1 | Hose-Radiator |
| | 40# | 56510127 | 1 | Hose-Radiator |
| | 41# | 56510350 | 1 | Governor-Controller |
| | 42# | 56511876 | 1 | Harness-Kubota Diesel |
| | 43# | 56740136 | 1 | Plug, Pipe |
| | 44# | 2-00-05958 | 16 | Hhc, M10 X 1.25 X 20mm |
| | 45# | 56383568 | 1 | Voltage Regulator Kit-42v |

[] = Not Shown

= Revised or new since last update

NOTE 1: Please order Radiator Diesel Kit 56511918 if you are replacing the Radiator 56509210 which has been obsoleted and replaced by Kit 56511918.

ENGINE SUB ASSEMBLY-DIESEL – BEFORE JANUARY 2019

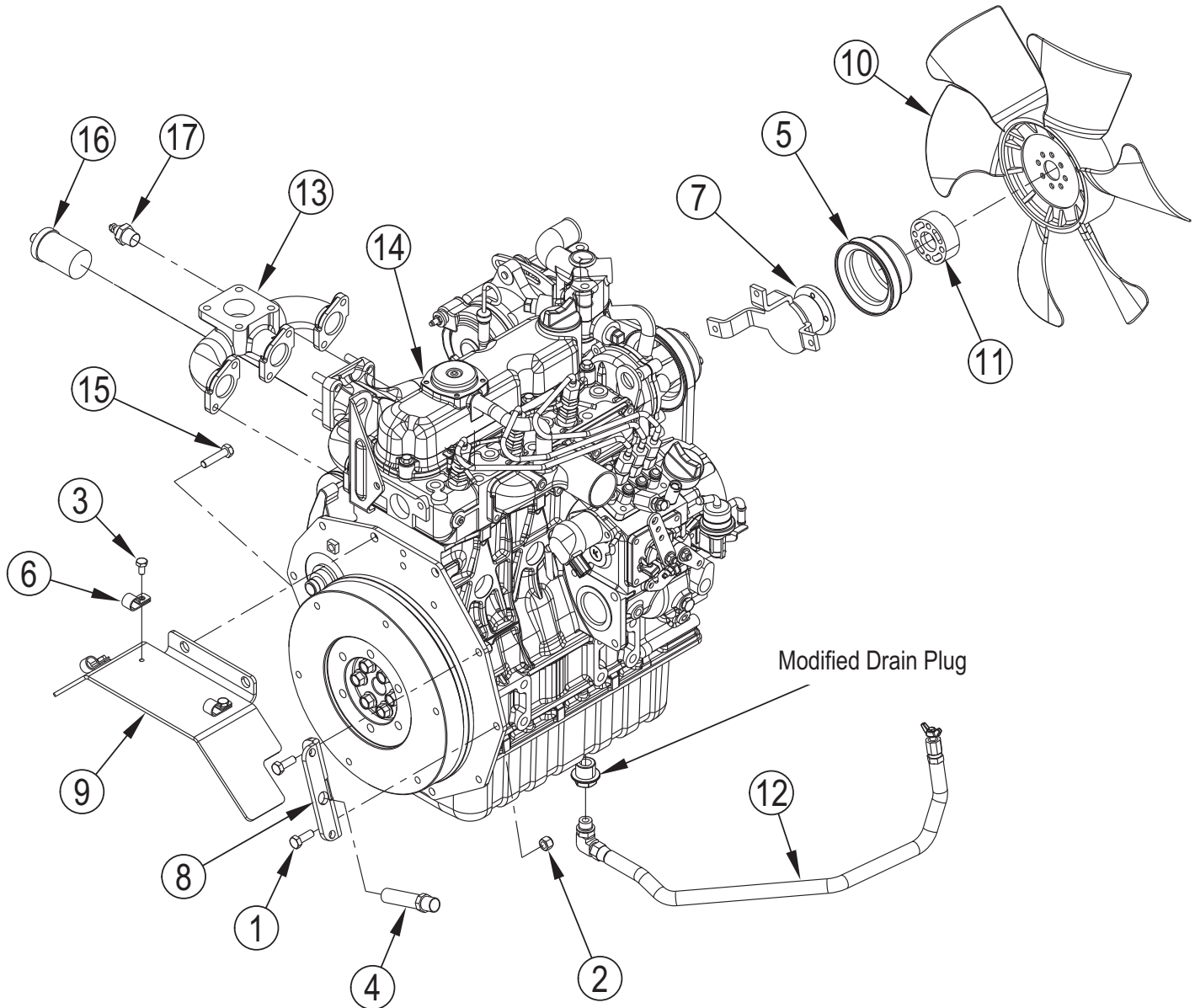


ENGINE SUB ASSEMBLY-DIESEL – BEFORE JANUARY 2019

| Kit | Item | Ref. No. | Qty | Description |
|---------------------------------|-------------|-----------------|------------|--|
| | 1 | 56002037 | 2 | Scr. Hex 5/16-18 X .88 |
| | 2 | 56002701 | 2 | Nut, Hex Nyl Loc 5/16-18 |
| | 3 | 56009033 | 3 | Scr. Hex Thd Form 1/4-20 X .50 |
| | 4 | 56111319 | 1 | Speed Sensor |
| | 5 | 56307249 | 1 | Pulley, Fan (89mm) |
| | 6 | 56486112 | 3 | Clamp-P |
| | 7 | 56504477 | 1 | Kit, Low Fan Kub1505 |
| | 8 | 56509853 | 1 | Bracket-Mag Pickup |
| | 9 | 56509981 | 1 | Plate-Guard |
| | 10 | 56510140 | 1 | Fan-Cooling |
| | 11 | 56510149 | 1 | Spacer-Fan |
| | 12 | 56510205 | 1 | Remote Oil Drain Assy |
| | 13 | 56510207 | 1 | Manifold-Exhaust |
| | 14 | 56510208 | 1 | Engine-Kubota D1305 |
| | 15 | 56003361 | 1 | Scr Hex Hd M8 X 35.0 |
| | 16 | 56009052 | 1 | Wsh Int Shprf 5/16 |
| Engine Replacement Parts | | | | |
| | [] | 56510208 | 1 | Engine-Kubota D1305 |
| | [] | 56510385 | 1 | Alternator-40 Amp |
| | [] | 56419086 | 1 | Fuel Filter Cartridge |
| | [] | 56482659 | 1 | Oil Filter Cartridge |
| | [] | 56419084 | 1 | Alternator Belt |
| | [] | 56419087 | 1 | Fan Belt |
| | [] | 56508454 | 1 | Thermostat Kit |
| | [] | 56419089 | 1 | Starter Motor |
| | [] | 56508444 | 1 | Oil Pressure Switch |
| | [] | 56419091 | 1 | Temp Switch |
| | [] | 56508490 | 1 | Throttle/Shut Down Assembly |
| | [] | 56510350 | 1 | Governor-Controller |
| | [] | 56111319 | 1 | Speed Sensor |
| | [] | 56510126 | 1 | Hose-Radiator (Lower) |
| | [] | 56510127 | 1 | Hose-Radiator (Upper) |
| | [] | 56510205 | 1 | Drain Hose Assy |
| | [] | 56508355 | 1 | Fuel Pump, Electronic |
| | [] | 56419307 | 1 | Strainer, Fuel |
| | [] | 56510077 | 1 | Hose-Air Cleaner (Air Cleaner To Intake) |
| | [] | 56510090 | 1 | Hose-Air Cleaner (Air Cleaner Inlet) |
| | [] | 56508354 | 1 | Fuel Cap |
| | [] | 56510613 | 1 | Sender-Fuel Level |
| | [] | 56510614 | 1 | Tube-Fuel Withdrawl |
| | [] | 56510615 | 1 | Tube-Fuel Return |
| | [] | 56510968 | 1 | Gasket Set-Upper D1305 |
| | [] | 56510969 | 1 | Gasket Set-Lower D1305 |
| | [] | 56510970 | 1 | Water Pump-D1305 |
| | [] | 56510971 | 1 | Pulley-Alternator |
| | [] | 56510972 | 1 | Bracket-Alternator Adj |
| | [] | 56510973 | 1 | Pulley-Crankshaft |
| | [] | 56510974 | 1 | Injection Pump-D1305 |
| | [] | 56510975 | 1 | Glow Plug (3 required) |
| | [] | 33019750 | 1 | Kit-Holder Nozzle (Injector) (3 required) |
| | [] | 56482028 | 1 | Filter Safety |
| | [] | 56482029 | 1 | Filter Primary |
| | [] | 56383025 | 1 | Cap-Oil Fill |
| | [] | 56511914 | 1 | Radiator Cap |

[] = Not Shown

ENGINE SUB ASSEMBLY-DIESEL – AFTER DECEMBER 2018



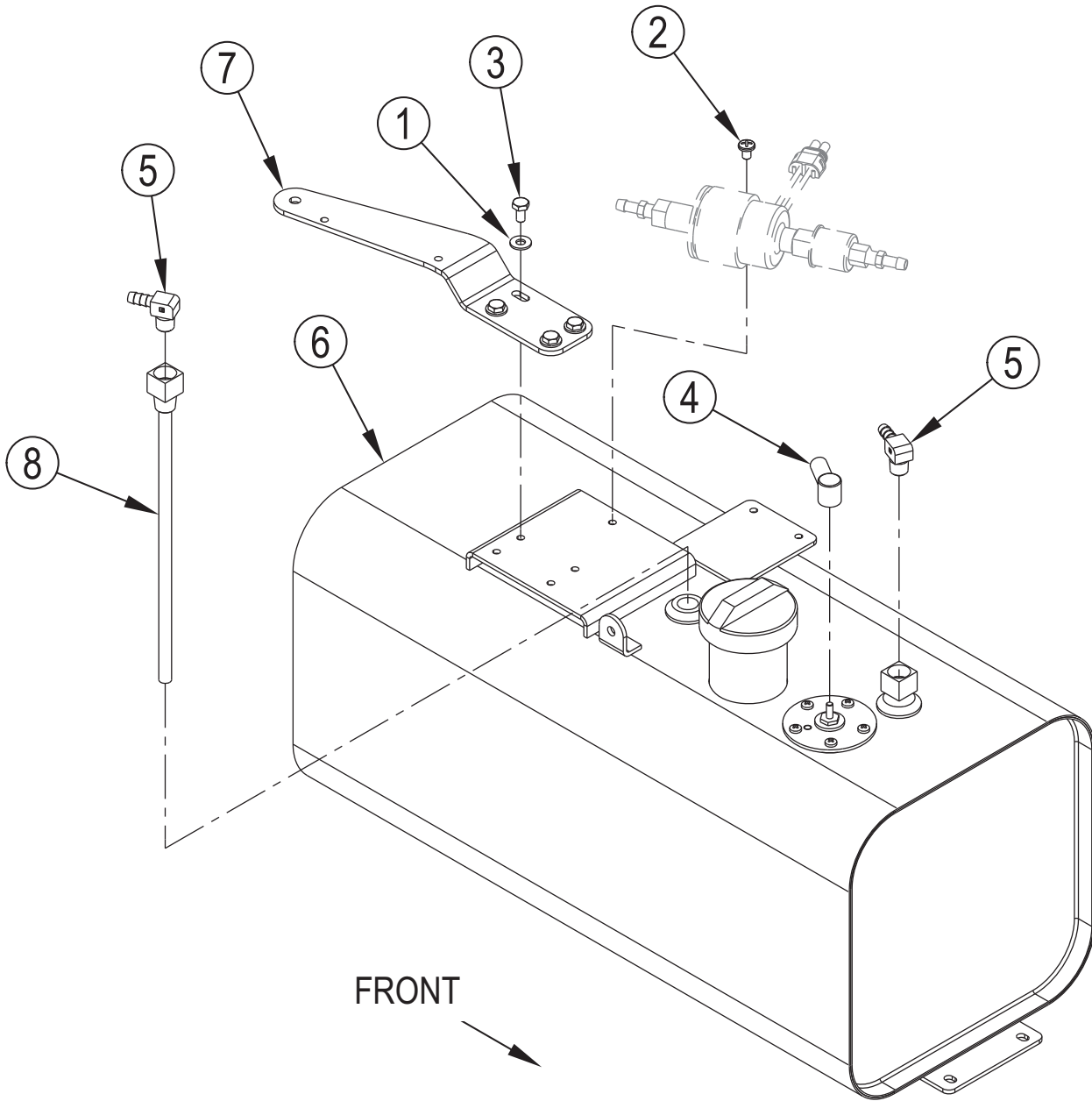
ENGINE SUB ASSEMBLY-DIESEL – AFTER DECEMBER 2018

| Kit | Item | Ref. No. | Qty | Description |
|---------------------------------|-------------|-----------------|------------|--|
| | 1# | 56002037 | 2 | Scr. Hex 5/16-18 X .88 |
| | 2# | 56002701 | 2 | Nut, Hex Nyl Loc 5/16-18 |
| | 3# | 56009033 | 3 | Scr. Hex Thd Form 1/4-20 X .50 |
| | 4# | 56111319 | 1 | Speed Sensor |
| | 5# | 56307249 | 1 | Pulley, Fan (89mm) |
| | 6# | 56486112 | 3 | Clamp-P |
| | 7# | 56504477 | 1 | Kit, Low Fan Kub1505 |
| | 8# | 56509853 | 1 | Bracket-Mag Pickup |
| | 9# | 56509981 | 1 | Plate-Guard |
| | 10# | 56510140 | 1 | Fan-Cooling |
| | 11# | 56510149 | 1 | Spacer-Fan |
| | 12# | 56510205 | 1 | Remote Oil Drain Assy |
| | 13# | 56510207 | 1 | Manifold-Exhaust |
| | 14# | 56394270 | 1 | Engine-Kubota D1305-E4B |
| | 15# | 56003361 | 1 | Scr Hex Hd M8 X 35.0 |
| | 16# | 56508444 | 1 | Oil Pressure Switch |
| | 17# | 56419091 | 1 | Temp Switch |
| Engine Replacement Parts | | | | |
| | []# | 56394270 | 1 | Engine-Kubota D1305 |
| | []# | 56510385 | 1 | Alternator-40 Amp |
| | []# | 56419086 | 1 | Fuel Filter Cartridge |
| | []# | 56482659 | 1 | Oil Filter Cartridge |
| | []# | 56419084 | 1 | Alternator Belt |
| | []# | 56419087 | 1 | Fan Belt |
| | []# | 56508454 | 1 | Thermostat Kit |
| | []# | 56419089 | 1 | Starter Motor |
| | []# | 56508444 | 1 | Oil Pressure Switch |
| | []# | 56419091 | 1 | Temp Switch |
| | []# | 56508490 | 1 | Throttle/Shut Down Assembly |
| | []# | 56510350 | 1 | Governor-Controller |
| | []# | 56111319 | 1 | Speed Sensor |
| | []# | 56510126 | 1 | Hose-Radiator (Lower) |
| | []# | 56510127 | 1 | Hose-Radiator (Upper) |
| | []# | 56510205 | 1 | Drain Hose Assy |
| | []# | 56508355 | 1 | Fuel Pump, Eletronic |
| | []# | 56419307 | 1 | Strainer, Fuel |
| | []# | 56510077 | 1 | Hose-Air Cleaner (Air Cleaner To Intake) |
| | []# | 56510090 | 1 | Hose-Air Cleaner (Air Cleaner Inlet) |
| | []# | 56508354 | 1 | Fuel Cap |
| | []# | 56510613 | 1 | Sender-Fuel Level |
| | []# | 56510614 | 1 | Tube-Fuel Withdrawl |
| | []# | 56510615 | 1 | Tube-Fuel Return |
| | []# | 56510968 | 1 | Gasket Set-Upper D1305 |
| | []# | 56510969 | 1 | Gasket Set-Lower D1305 |
| | []# | 56510970 | 1 | Water Pump-D1305 |
| | []# | 56510971 | 1 | Pulley-Alternator |
| | []# | 56510972 | 1 | Bracket-Alternator Adj |
| | []# | 56510973 | 1 | Pulley-Crankshaft |
| | []# | 56510974 | 1 | Injection Pump-D1305 |
| | []# | 56510975 | 1 | Glow Plug (3 required) |
| | []# | 33019750 | 1 | Kit-Holder Nozzle (Injector) (3 required) |
| | []# | 56482028 | 1 | Filter Safety |
| | []# | 56482029 | 1 | Filter Primary |
| | []# | 56383025 | 1 | Cap-Oil Fill |
| | []# | 56511914 | 1 | Radiator Cap |

[] = Not Shown

= Revised or new since last update

DIESEL FUEL TANK ASSEMBLY

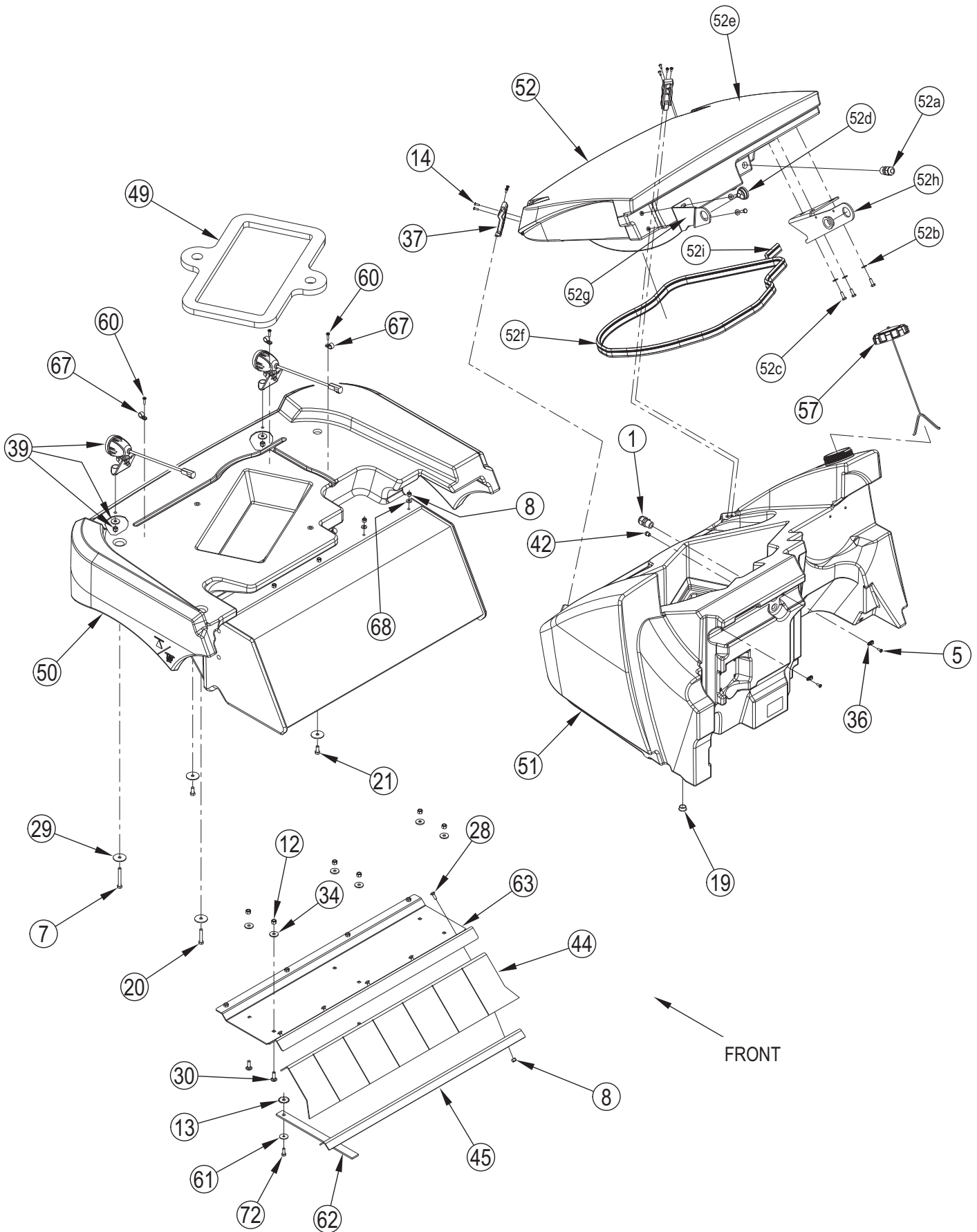


DIESEL FUEL TANK ASSEMBLY

| Item | Ref. No. | Qty | Description |
|-------------|-----------------|------------|-------------------------------------|
| 1 | 56002098 | 4 | Wsh, Flt SAE 1/4 |
| 2 | 56003603 | 1 | Scr, Pan Phil Thd Form 1/4-20 X .38 |
| 3 | 56009033 | 4 | Scr, Hex Thd Form 1/4-20 X0.5 |
| 4 | 56492305 | 1 | Boot, Rubber |
| 5 | 56510495 | 2 | Barb-90 Elbow 5/16 X 1/4npt |
| 6 | 56511235 | 1 | Fuel Tank Assembly |
| 7 | 56511247 | 1 | Bracket-Tank Support |
| 8 | 56511256 | 1 | Tube-Fuel Return |
| [] | 56508354 | 1 | Fuel Cap |
| [] | 56511257 | 1 | Sender-Fuel Level R1 |
| [] | 56511255 | 1 | Tube-Fuel Withdrawl |

[] = Not Shown

HOPPER SYSTEM-1



HOPPER SYSTEM-1

| Kit | Item | Ref. No. | Qty | Description | Kit | Item | Ref. No. | Qty | Description |
|-------------|----------|------------|-----|--------------------------------------|-----|------|------------|-----|-------------------------------------|
| | 1 | 56323135 | 1 | Strain Relief | K3 | 44 | | 1 | Flap-Hopper |
| | 2 | 56449221 | 2 | Bumper, 1.43 Dia | K3 | 45 | | 1 | Clamp-Hopper Flap |
| K4 | 3 | | 3 | Scr, Soc Hd 10-24 X 0.62 | K5 | 46 | | 1 | Clamp-Hopper Door Bottom |
| K4 | 4 | | 2 | Scr, Hex 5/8-11 X 1.50 | | 47 | 56509388 | 1 | Hopper Lift Weldment |
| K4 | 5 | | 2 | Scr-Pan Phil 10-24 X .50 | | 48 | 56509398 | 1 | Bearing-Slv 1.125x1.281x0.750 |
| K4 | 6 | | 5 | Wsh, Flt SAE #8 | | 49 | 56509399 | 1 | Seal-Hopper |
| K4 | 7 | | 1 | Scr, Hex 5/16-18 X 2.50 | | 50 | 56509400 | 1 | Hopper-Lower |
| K3,K4,K58 | | | 15 | Nut, Hex Nyl Loc SS 1/4-20 | | 51 | 56509401 | 1 | Hopper-Upper |
| K4 | 9 | | 3 | Nut, Hex Nyl Loc 10-24 | K1 | 52 | | 1 | Hopper Cover Assy |
| K4 | 10 | | 1 | Nut, Hex Nyl Loc-Thin 5/16-18 | K1 | 52a | | 1 | Strain Relief |
| K4 | 11 | | 2 | Nut, Hex Nyl Loc-Thin SS 1/4-20 | K1 | 52b | | 5 | Wsh, Flt SAE 1/4 |
| K2,K4,K612 | | | 6 | Nut, Hex Nyl Loc SS 5/16-18 | K1 | 52c | | 5 | Scr, Hex 1/4-20 X .75 |
| | 13 | 2-00-03829 | 1 | Lock Washer, 3/8 Int./Ext. Tooth | K1 | 52d | | 2 | Bearing, FI 1 Id X 1-1/4 Od X 1/2 L |
| K1,K4 | 14 | | 8 | Screw 8-32 X 3/8 Phn Ph Ss | K1 | 52e | | 1 | Cover-Hopper |
| K4,K5 | 15 | | 5 | Scr- Hex SS 1/4-20 X 1.00 | K1 | 52f | | 1 | Seal - Hopper Cover |
| K4 | 16 | | 2 | Wsh, Flt Std SS 3/8 | K1 | 52g | | 1 | Hinge-Hopper Cover Lt |
| K4 | 17 | | 4 | Scr- Hex SS 3/8-16 X 1.50 | K1 | 52h | | 1 | Hinge-Hopper Cover Rt |
| K4 | 18 | | 2 | Wsh, Flt Std SS 1/4 | K1 | 52i | | 1 | Seal-Hopper Cover |
| | 19 | 56900041 | 1 | Plug, Cap | | 53 | 56511759 | 1 | Dump Door Actuator Assy M7 |
| K4 | 20 | | 1 | Scr, Hex 5/16-18 X 1.75 | | 54 | 56383694 | 1 | Bracket-Sensor Mounting |
| K4 | 21 | | 5 | Scr- Hex SS 5/16-18 X .75 | | 55 | 56509798 | 1 | Prop Rod Assy |
| K4 | 22 | | 1 | Pin,Clevis .500 X 3.00 | | 56 | 56509989 | 1 | Bar-Hopper Hinge |
| K4 | 23 | | 2 | Nut, Hex Nyl Loc SS 3/8-16 | | 57 | 56510148 | 1 | Cap-Vented W/ Tether |
| K4 | 24 | | 2 | Pin, Cotter Hair | K5 | 58 | | 1 | Clamp-Hopper Door Seal |
| K4 | 25 | | 2 | Ring, Ret Ext 1.00 Shaft | K5 | 59 | | 1 | Seal-Hopper Door |
| K4 | 26 | | 1 | Clevis Pin | | 60 | 56009005 | 3 | Scr Panphils Type Ab 10-16x.75 |
| K4 | 27 | | 3 | Wsh-Flt SS .33 X 1.00 X.060 | K4 | 61 | | 1 | Wsh-Fit Ss .260 x 1.000 x .074 |
| K3,K4,K528 | | | 12 | Scr-Carriage SS 1/4-20 X .75 | | 62 | 56416517 | 1 | Strap, Static, 12.5" |
| K4 | 29 | | 4 | Wsh-Flt SS .344 X 1.500 X .080 | K2 | 63 | | 1 | Hopper Skid Weldt |
| K2,K4,K630 | | | 6 | Scr-Carriage SS 5/16-18 X 1.00 | | 64# | 56394131 | 1 | Spring-Gas-175 Pound |
| K4 | 31 | | 2 | Ring, Ret Ext 1.125 Shaft | | 65 | 56507793 | 1 | Clip, Conduit |
| K4 | 32 | | 2 | Nut, Hex Jam 1/2-13 | | 66 | 56507885 | 1 | Pin, Cylinder |
| K2,K4,K6 34 | | | 6 | Wsh-Flt SS .344 X 1.000 X .109 | | 67 | 56056903 | 3 | Clamp Loop E00129 |
| | 35 | 56511830 | 2 | Sensor, Proximity SW6 / SW13 | | 68 | 56002859 | 5 | Wsh Flt Sae Ss 1/4 |
| | 36 | 56469854 | 2 | Tie Anchor | | 69 | 2-00-02303 | 1 | Lk Wash Int Tooth Zinc Pl |
| K1 | 37# | 56507188 | 2 | Latch | | 70 | 56001954 | 1 | Wsh Flt Sae 10 |
| | 39 | 56383035 | 2 | Light Assy LT2 / LT3 | | 71 | 56009029 | 1 | Scr Panphil Thd Form 10-24x.50 |
| [40] | 56383029 | | 2 | Adapter DT06 To MP280 | | 72 | 56002807 | 1 | Scr Hex Ss 1/4-20 X .75 |
| | 41 | 56507941 | 2 | Bearing, Flange 1.125 X 1.281 X .750 | | | | | |
| | 42 | 56509079 | 1 | Plug - Pipe 1/8 Npt Plastic | | | | | |
| | 43 | 56511192 | 1 | Dump Door Assy | | | | | |
| | 43a | 56002491 | 13 | Nut, Hex Nyl Loc SS 1/4-20 | | | | | |
| | 43b | 56002883 | 7 | Scr- Hex SS 1/4-20 X 1.00 | | | | | |
| | 43c | 56003715 | 6 | Scr-Carriage SS 1/4-20 X .75 | | | | | |
| | 43d | 56009002 | 2 | Wsh, Flt .266 X .906 X .060 | | | | | |
| | 43e | 56507177 | 2 | Clamp, Hopper Door Side | | | | | |
| | 43f | 56507178 | 2 | Seal, Hopper Door Side | | | | | |
| | 43g | 56511155 | 1 | Hopper Door Weldt | | | | | |
| | 43h | 56509141 | 1 | Dump Door Pivot Weldt | | | | | |
| | 43i | 56509144 | 1 | Seal-Hopper Door Bottom | | | | | |
| K5 | 43j | | 2 | Clamp-Hopper Door Bottom | | | | | |
| | 43k | 56509146 | 2 | Seal-Hopper Door Bottom | | | | | |

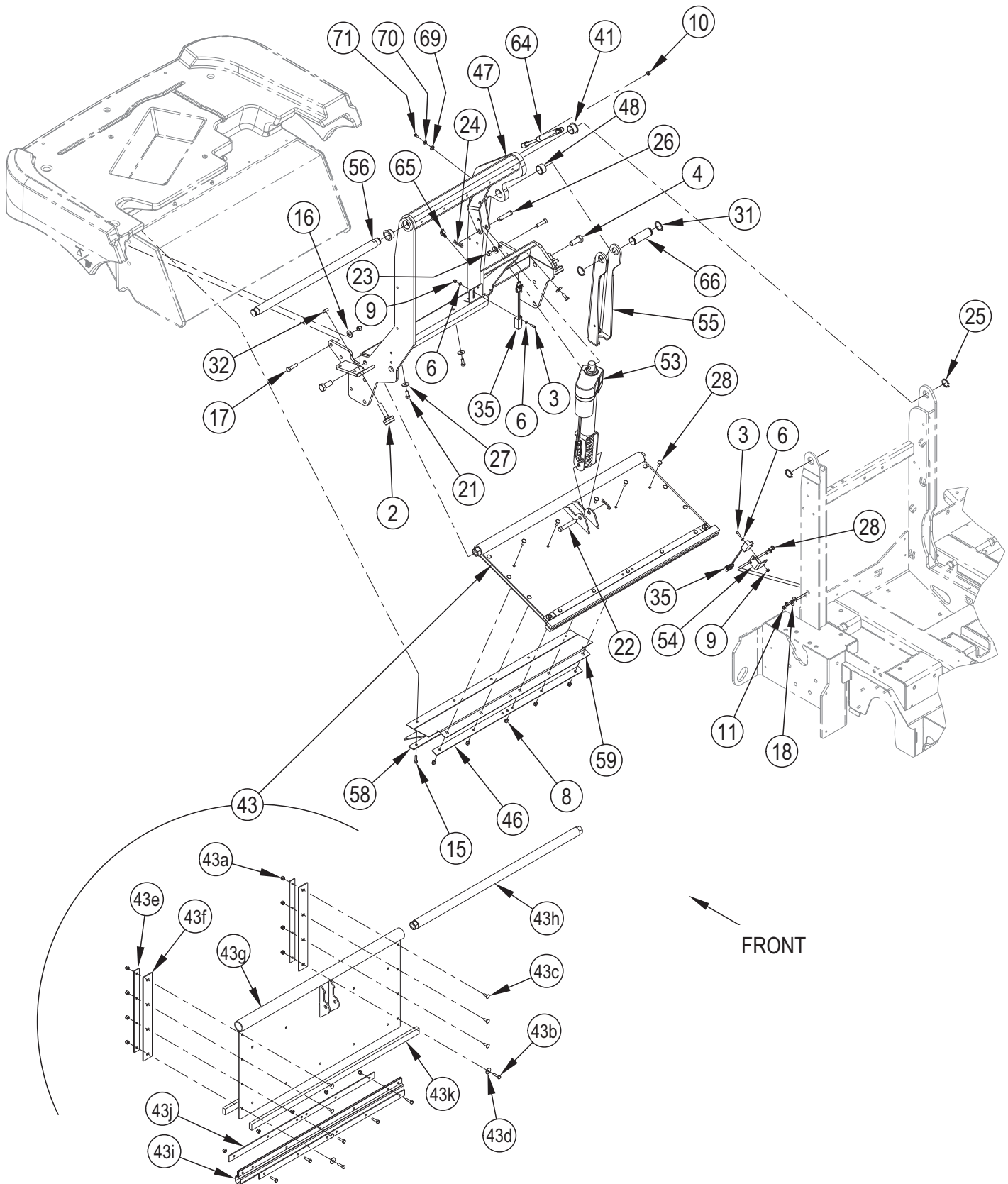
Service Kits

| | | | |
|----|----------|---|----------------------------|
| K1 | 56510793 | 1 | Hopper Cover Kit |
| K2 | 56510796 | 1 | Skid Plate Kit-Hopper |
| K3 | 56510800 | 1 | Hopper Flap Kit |
| K4 | 56511890 | 1 | Hardware Kit-Hopper System |
| K5 | 56510801 | 1 | Hopper Door Seal Kit |
| K6 | 56511579 | 1 | Hopper Guard Kit |

[] = Not Shown

= Revised or new since last update

HOPPER SYSTEM-2



HOPPER SYSTEM-2

| Kit | Item | Ref. No. | Qty | Description |
|-------------|------|------------|-----|--------------------------------------|
| | 1 | 56323135 | 1 | Strain Relief |
| | 2 | 56449221 | 2 | Bumper, 1.43 Dia |
| K4 | 3 | | 3 | Scr, Soc Hd 10-24 X 0.62 |
| K4 | 4 | | 2 | Scr, Hex 5/8-11 X 1.50 |
| K4 | 5 | | 2 | Scr-Pan Phil 10-24 X .50 |
| K4 | 6 | | 5 | Wsh, Flt SAE #8 |
| K4 | 7 | | 1 | Scr, Hex 5/16-18 X 2.50 |
| K3,K4,K58 | | | 15 | Nut, Hex Nyl Loc SS 1/4-20 |
| K4 | 9 | | 3 | Nut, Hex Nyl Loc 10-24 |
| K4 | 10 | | 1 | Nut, Hex Nyl Loc-Thin 5/16-18 |
| K4 | 11 | | 2 | Nut, Hex Nyl Loc-Thin SS 1/4-20 |
| K2,K4,K612 | | | 6 | Nut, Hex Nyl Loc SS 5/16-18 |
| | 13 | 2-00-03829 | 1 | Lock Washer, 3/8 Int./Ext. Tooth |
| K1,K4 | 14 | | 8 | Screw 8-32 X 3/8 Phn Ph Ss |
| K4,K5 | 15 | | 5 | Scr- Hex SS 1/4-20 X 1.00 |
| K4 | 16 | | 2 | Wsh, Flt Std SS 3/8 |
| K4 | 17 | | 4 | Scr- Hex SS 3/8-16 X 1.50 |
| K4 | 18 | | 2 | Wsh, Flt Std SS 1/4 |
| | 19 | 56900041 | 1 | Plug, Cap |
| K4 | 20 | | 1 | Scr, Hex 5/16-18 X 1.75 |
| K4 | 21 | | 5 | Scr- Hex SS 5/16-18 X .75 |
| K4 | 22 | | 1 | Pin, Clevis .500 X 3.00 |
| K4 | 23 | | 2 | Nut, Hex Nyl Loc SS 3/8-16 |
| K4 | 24 | | 2 | Pin, Cotter Hair |
| K4 | 25 | | 2 | Ring, Ret Ext 1.00 Shaft |
| K4 | 26 | | 1 | Clevis Pin |
| K4 | 27 | | 3 | Wsh-Flt SS .33 X 1.00 X.060 |
| K3,K4,K528 | | | 12 | Scr-Carriage SS 1/4-20 X .75 |
| K4 | 29 | | 4 | Wsh-Flt SS .344 X 1.500 X .080 |
| K2,K4,K630 | | | 6 | Scr-Carriage SS 5/16-18 X 1.00 |
| K4 | 31 | | 2 | Ring, Ret Ext 1.125 Shaft |
| K4 | 32 | | 2 | Nut, Hex Jam 1/2-13 |
| K2,K4,K6 34 | | | 6 | Wsh-Flt SS .344 X 1.000 X .109 |
| | 35 | 56511830 | 2 | Sensor, Proximity SW6 / SW13 |
| | 36 | 56469854 | 2 | Tie Anchor |
| K1 | 37# | 56507188 | 2 | Latch |
| | 39 | 56383035 | 2 | Light Assy LT2 / LT3 |
| | [40] | 56383029 | 2 | Adapter DT06 To MP280 |
| | 41 | 56507941 | 2 | Bearing, Flange 1.125 X 1.281 X .750 |
| | 42 | 56509079 | 1 | Plug - Pipe 1/8 Npt Plastic |
| | 43 | 56511192 | 1 | Dump Door Assy |
| | 43a | 56002491 | 13 | Nut, Hex Nyl Loc SS 1/4-20 |
| | 43b | 56002883 | 7 | Scr- Hex SS 1/4-20 X 1.00 |
| | 43c | 56003715 | 6 | Scr-Carriage SS 1/4-20 X .75 |
| | 43d | 56009002 | 2 | Wsh, Flt .266 X .906 X .060 |
| | 43e | 56507177 | 2 | Clamp, Hopper Door Side |
| | 43f | 56507178 | 2 | Seal, Hopper Door Side |
| | 43g | 56511155 | 1 | Hopper Door Weldt |
| | 43h | 56509141 | 1 | Dump Door Pivot Weldt |
| | 43i | 56509144 | 1 | Seal-Hopper Door Bottom |
| K5 | 43j | | 2 | Clamp-Hopper Door Bottom |
| | 43k | 56509146 | 2 | Seal-Hopper Door Bottom |

| Kit | Item | Ref. No. | Qty | Description |
|-----|------|------------|-----|-------------------------------------|
| K3 | 44 | | 1 | Flap-Hopper |
| K3 | 45 | | 1 | Clamp-Hopper Flap |
| K5 | 46 | | 1 | Clamp-Hopper Door Bottom |
| | 47 | 56509388 | 1 | Hopper Lift Weldment |
| | 48 | 56509398 | 1 | Bearing-Slv 1.125x1.281x0.750 |
| | 49 | 56509399 | 1 | Seal-Hopper |
| | 50 | 56509400 | 1 | Hopper-Lower |
| | 51 | 56509401 | 1 | Hopper-Upper |
| K1 | 52 | | 1 | Hopper Cover Assy |
| K1 | 52a | | 1 | Strain Relief |
| K1 | 52b | | 5 | Wsh, Flt SAE 1/4 |
| K1 | 52c | | 5 | Scr, Hex 1/4-20 X .75 |
| K1 | 52d | | 2 | Bearing, Fl 1 Id X 1-1/4 Od X 1/2 L |
| K1 | 52e | | 1 | Cover-Hopper |
| K1 | 52f | | 1 | Seal - Hopper Cover |
| K1 | 52g | | 1 | Hinge-Hopper Cover Lt |
| K1 | 52h | | 1 | Hinge-Hopper Cover Rt |
| K1 | 52i | | 1 | Seal-Hopper Cover |
| | 53 | 56511759 | 1 | Dump Door Actuator Assy M7 |
| | 54 | 56383694 | 1 | Bracket-Sensor Mounting |
| | 55 | 56509798 | 1 | Prop Rod Assy |
| | 56 | 56509989 | 1 | Bar-Hopper Hinge |
| | 57 | 56510148 | 1 | Cap-Vented W/ Tether |
| K5 | 58 | | 1 | Clamp-Hopper Door Seal |
| K5 | 59 | | 1 | Seal-Hopper Door |
| | 60 | 56009005 | 3 | Scr Panphils Type Ab 10-16x.75 |
| K4 | 61 | | 1 | Wsh-Flt Ss .260 x 1.000 x .074 |
| | 62 | 56416517 | 1 | Strap, Static, 12.5" |
| K2 | 63 | | 1 | Hopper Skid Weldt |
| | 64# | 56394131 | 1 | Spring-Gas-175 Pound |
| | 65 | 56507793 | 1 | Clip, Conduit |
| | 66 | 56507885 | 1 | Pin, Cylinder |
| | 67 | 56056903 | 3 | Clamp Loop E00129 |
| | 68 | 56002859 | 5 | Wsh Flt Sae Ss 1/4 |
| | 69 | 2-00-02303 | 1 | Lk Wash Int Tooth Zinc Pl |
| | 70 | 56001954 | 1 | Wsh Flt Sae 10 |
| | 71 | 56009029 | 1 | Scr Panphil Thd Form 10-24x.50 |
| | 72 | 56002807 | 1 | Scr Hex Ss 1/4-20 X .75 |

Service Kits

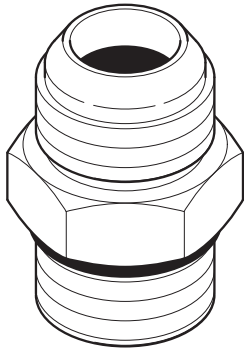
| | | | |
|----|----------|---|----------------------------|
| K1 | 56510793 | 1 | Hopper Cover Kit |
| K2 | 56510796 | 1 | Skid Plate Kit-Hopper |
| K3 | 56510800 | 1 | Hopper Flap Kit |
| K4 | 56511890 | 1 | Hardware Kit-Hopper System |
| K5 | 56510801 | 1 | Hopper Door Seal Kit |
| K6 | 56511579 | 1 | Hopper Guard Kit |

[] = Not Shown

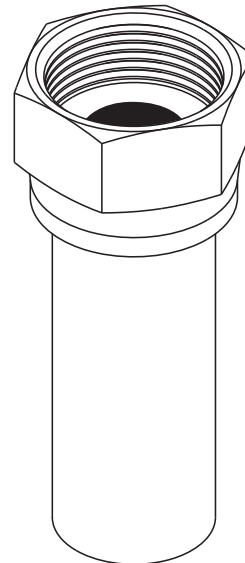
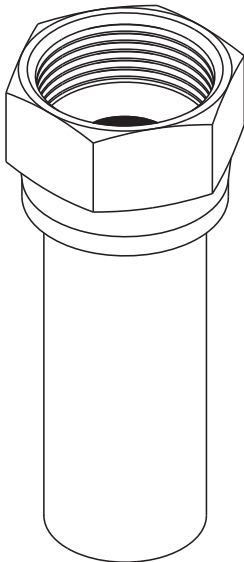
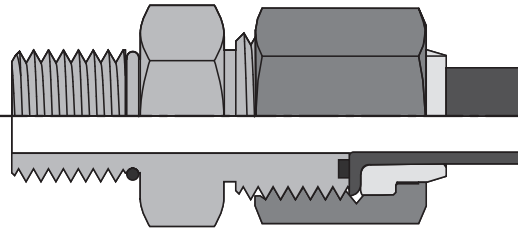
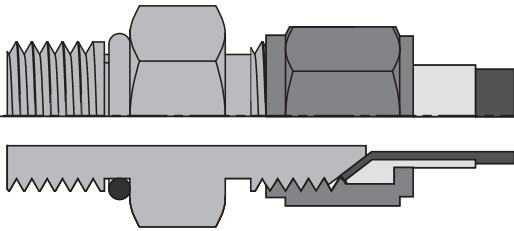
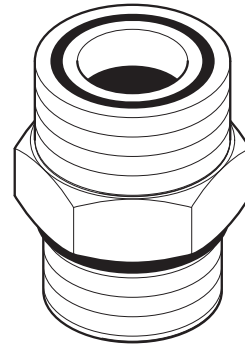
= Revised or new since last update

HYDRAULIC SYSTEM - CONNECTOR IDENTIFIER

JIC 37° Flare



O-Ring Face Seals (ORFS)



HYDRAULIC SYSTEM – HOSE DESCRIPTOR

Hose Description Key

| DESCRIPTION = HOSE-HYD-A1-1A1-1A1-123 | | | | | | | | | | | | | | | | | | | | | | |
|---------------------------------------|---|---|---|---|---|---|---|---|---|---------------|-----------|------------------------|-------------------------|--------------------|--------------------|--------------------------|---------------------|-----------------------------|---|---|---|---|
| HYDRAULIC HOSE | | | | | | | | | | HOSE MATERIAL | HOSE SIZE | FIRST FITTING END TYPE | FIRST FITTING END ANGLE | FIRST FITTING SIZE | SECOND FITTING END | SECOND FITTING END ANGLE | SECOND FITTING SIZE | HOSE LENGTH (NEAREST mm) | | | | |
| H | O | S | E | - | H | Y | D | - | A | 1 | - | 1 | A | 1 | - | 1 | A | 1 | - | 1 | 2 | 3 |

HOSE MATERIAL:

- A= SAE100R1
- B= SAE100R2
- C= SAE100R17
- D= SAE100R4
- E= SAE100R16

HOSE AND FITTING SIZE:

- 0= -2 (1/8")
- 1= -4 (1/4")
- 2= -5 (5/16")
- 3= -6 (3/8")
- 4= -8 (1/2")
- 5= -10 (5/8")
- 6= -12 (3/4")
- 7= -16 (1")
- 8= -20 (1-1/4")
- 9= -24 (1-1/2")

***IF THERE IS "NO HOSE FITTING" USE THE HOSE SIZE.

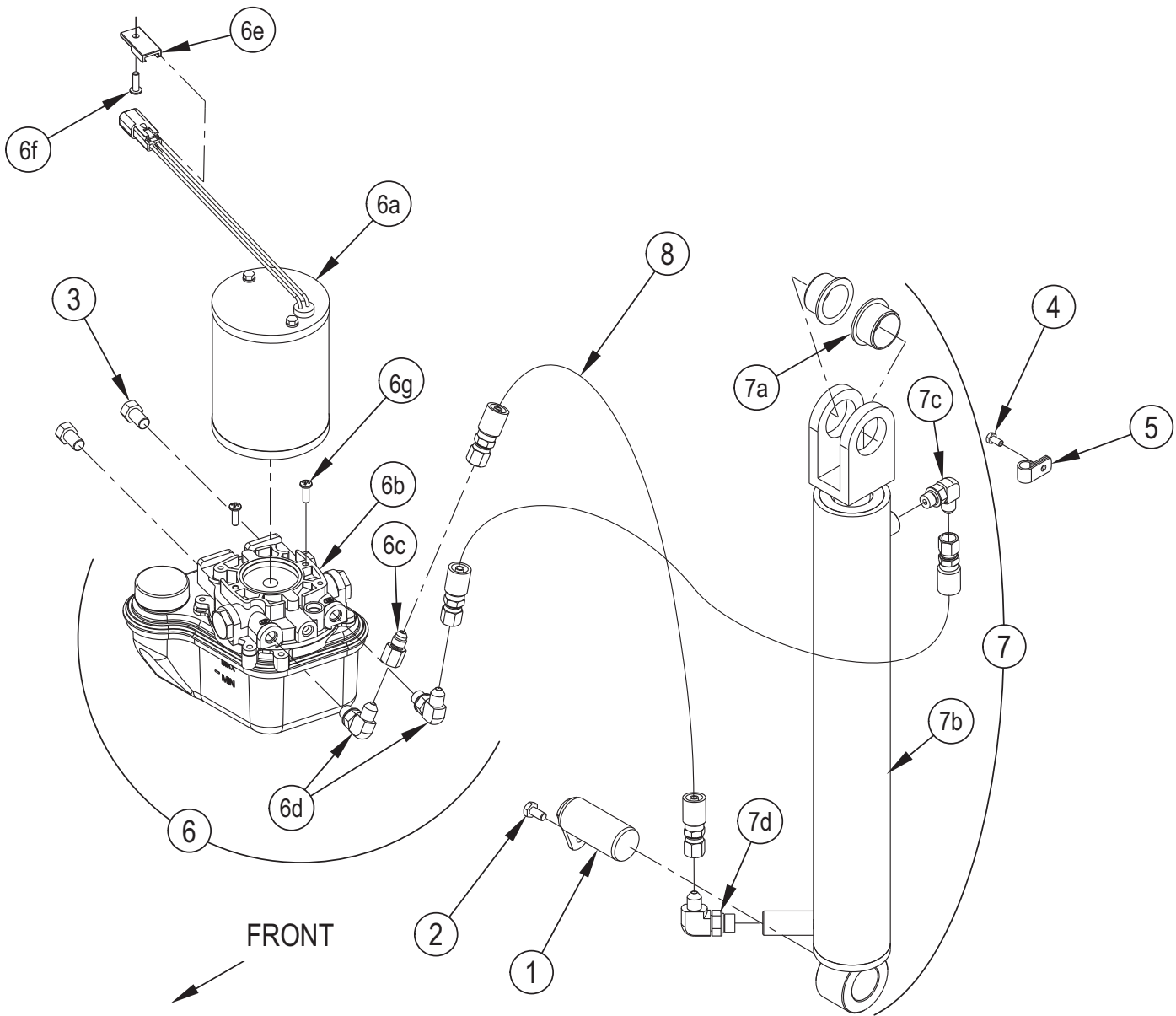
FITTING END TYPE:

- 1= ORFS
- 2= JIC 37° FLARE
- 3= BSPP
- 4= NPT
- 5= ORB
- 6= SAE 45°
- 7= BSPT
- 8= FLANGE
- 9= NO HOSE FITTING (FOR USE WITH BARB FITTING) ***

FITTING END ANGLE:

- A= 00°
- B= 45°
- C= 90°
- D= 22.5°
- E= 30°
- F= 60°
- G= 67.5°
- H= 110°
- I= 135°
- J= 150°
- K= 180°
- L= BANJO
- M = NO HOSE FITTING (FOR USE WITH BARB FITTING) ***

HYDRAULIC SYSTEM – 37° FLARE EQUIPPED MACHINES

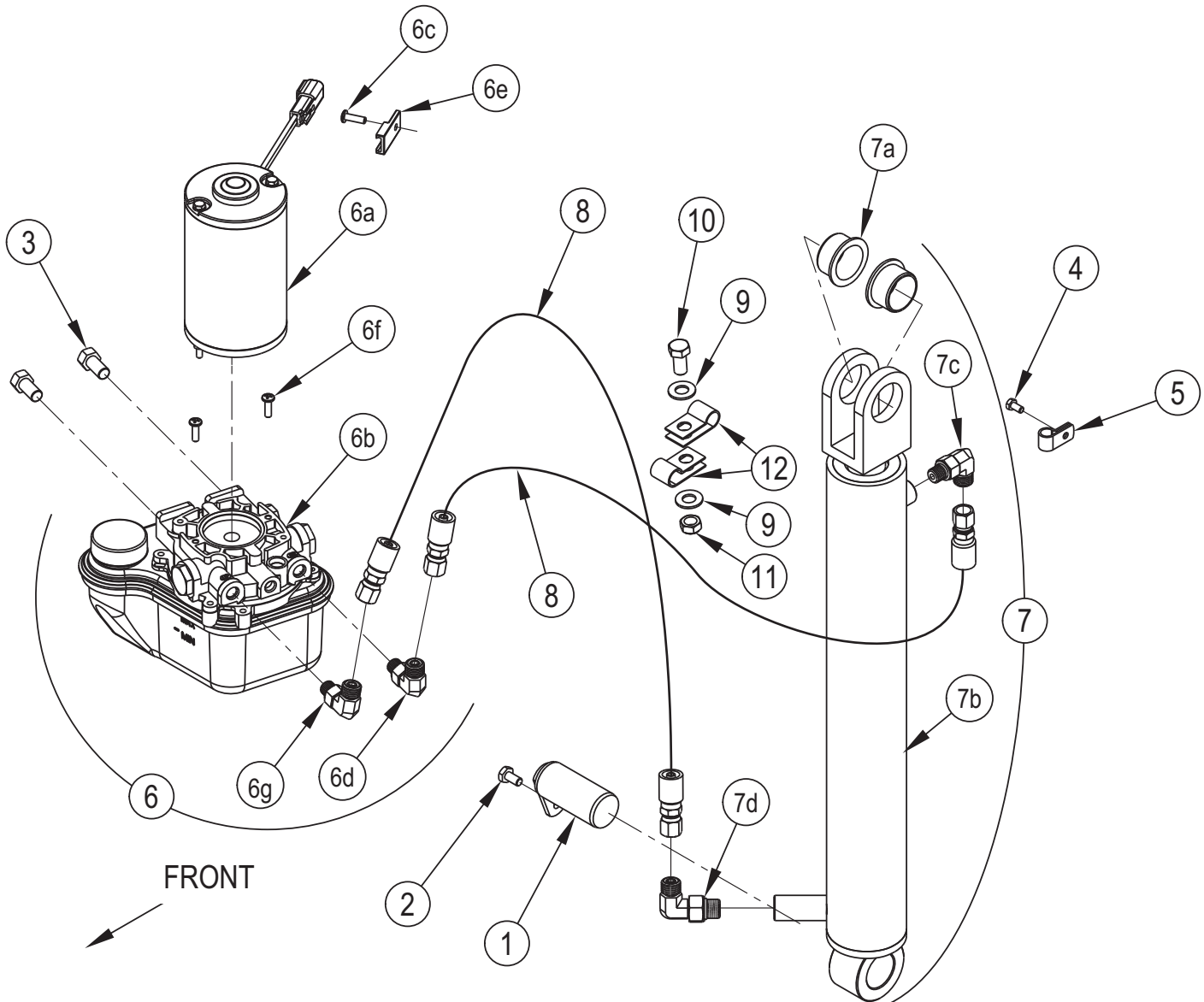


HYDRAULIC SYSTEM – 37° FLARE EQUIPPED MACHINES

| Kit | Item | Ref. No. | Qty | Description |
|---------------------|-------------|-----------------|------------|---|
| | 1 | 56416308 | 1 | Left Hinge Pin Weldt |
| K1 | 2 | | 1 | Scr, Hex Hd Loc 1/4-20x.50 |
| K1 | 3 | | 2 | Scr, Hex Hd Loc 3/8-16x.75 |
| K1 | 4 | | 1 | Scr, Hex Thd Form 10-24 X .38 |
| K1 | 5 | | 1 | Clamp-P |
| | 6 | 56511837 | 1 | Hydraulic Power Pack Assy |
| | 6a | 56511831 | 1 | Motor 36v-3669RPM-0.55hp M11 |
| | 6b | 56509374 | 1 | Hydraulic Pump/Reservoir Assy |
| | [] | 56509383 | 1 | Hydraulic Reservoir Kit (for 56509374) |
| | [] | 56509375 | 1 | Cap-Hyd Reservoir (for 56509374) |
| | 6c | 56510682 | 1 | Fitting-Orifice |
| | 6d | 56900101 | 2 | Elbow, 90 O-Ring |
| | 6e | 56511941 | 1 | Clip-Deutsh Connector |
| | 6f | 56002124 | 1 | Screw10-24 X .62 Pnh Ph |
| | 6g | 56002202 | 2 | Scr Pan Phil 10-32 X .62 |
| | 7 | | 1 | Hopper Lift Cylinder Assy |
| | 7a | 56507941 | 2 | Bearing, Flange 1.125 X 1.281 X .750 |
| | 7b | 56509377 | 1 | Cylinder-Hydraulic 2.00 X 13.06 |
| | [] | 56509381 | 1 | Seal Kit (for 56509377) |
| | 7c | 56900101 | 1 | Elbow, 90 O-Ring |
| | 7d | 56900110 | 1 | Elbow, 90 O-Ring |
| | 8 | 56509382 | 2 | Hose Assy |
| Service Kits | | | | |
| K1 | 56511891 | | 1 | Hardware Kit-Hydraulic Sys |

[] = Not Shown

HYDRAULIC SYSTEM - ORFS EQUIPPED MACHINES



HYDRAULIC SYSTEM – ORFS EQUIPPED MACHINES

| Kit | Item | Ref. No. | Qty | Description |
|-----|------|------------|-----|---|
| | 1# | 56416308 | 1 | Left Hinge Pin Weldt |
| K1 | 2# | | 1 | Scr, Hex Hd Loc 1/4-20 x .50 |
| K1 | 3# | | 2 | Scr, Hex Hd Loc 3/8-16 x .75 |
| K1 | 4# | | 1 | Scr, Hex Thd Form 10-24 x .38 |
| K1 | 5# | | 1 | Clamp-P |
| | 6# | 56511837 | 1 | Hydraulic Power Pack Assy |
| | 6a# | 56511831 | 1 | Motor 36V-3669RPM-0.55hp M11 |
| | 6b# | 56509374 | 1 | Hydraulic Pump/Reservoir Assy |
| | []# | 56509383 | 1 | Hydraulic Reservoir Kit (for 56509374) |
| | []# | 56509375 | 1 | Cap-Hyd Reservoir (for 56509374) |
| | 6c# | 56002124 | 1 | Scr-Pan Phil 10-24 X .62 |
| | 6d# | 2-00-04892 | 1 | Elbow, 90 O-Ring |
| | 6e# | 56511941 | 1 | Clip-Deutsh Connector |
| | 6f# | 56002202 | 2 | Scr Pan Phil 10-32 x .62 |
| | 6g# | 56394108 | 1 | Ftg-Elbow ORF-.047-HYD-4-ORFS |
| | 7# | | 1 | Hopper Lift Cylinder Assy |
| | 7a# | 56507941 | 2 | Bearing, Flange 1.125 X 1.281 X .750 |
| | 7b# | 56509377 | 1 | Cylinder-Hydraulic 2.00 X 13.06 |
| | []# | 56509381 | 1 | Seal Kit (for 56509377) |
| | 7c# | 2-00-04892 | 1 | Hyd. Adapter-SAE To OR 90 EL |
| | 7d# | 2-00-04926 | 1 | Fitting-90 SAE6 To ORS4 |
| | 8# | 8-33-02178 | 2 | HOSE-HYD-A1-1A1-1A1-381 |
| | 9# | 56002063 | 2 | Wsh, Flt SAE 3/8 |
| | 10# | 56002127 | 1 | Scr-Hex 3/8-16 X .75 |
| | 11# | 56002841 | 1 | Nut, Hex Nyl Loc-Thin 3/8-16 |
| | 12# | 2-00-04873 | 2 | Cable Clamp |

Service Kits

| | | | |
|----|----------|---|----------------------------|
| K1 | 56511891 | 1 | Hardware Kit-Hydraulic Sys |
|----|----------|---|----------------------------|

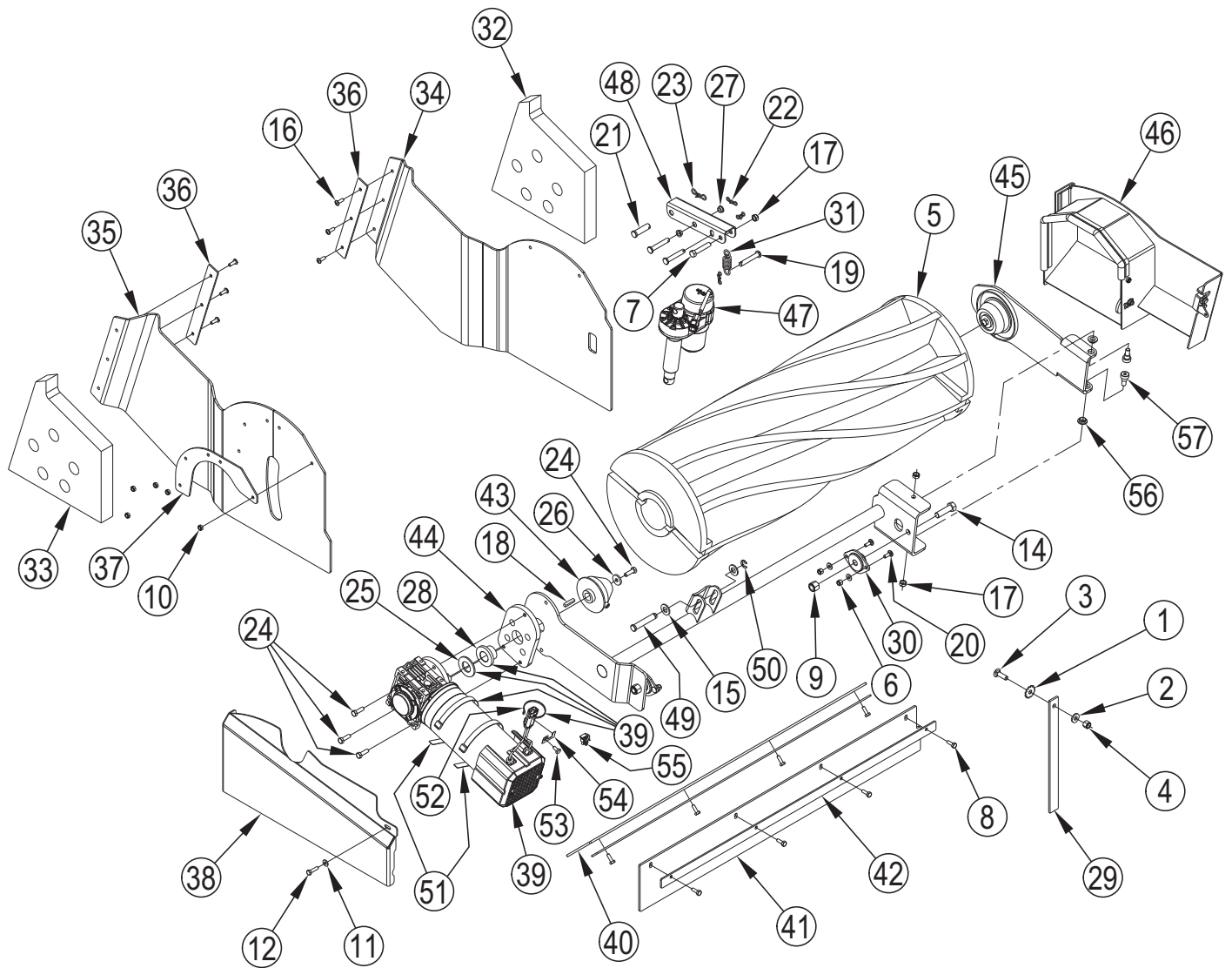
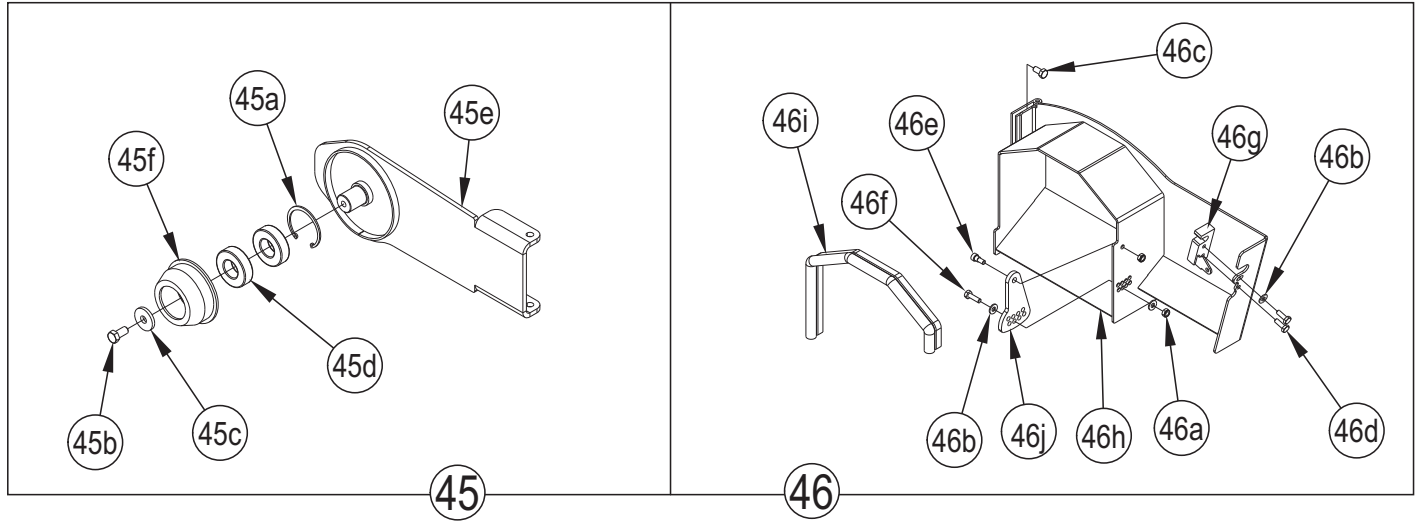
[] = Not Shown

= Revised or new since last update

Hose Description Key

DESCRIPTION = HOSE-HYD-A1-1A1-1A1-123 (See Page 5)

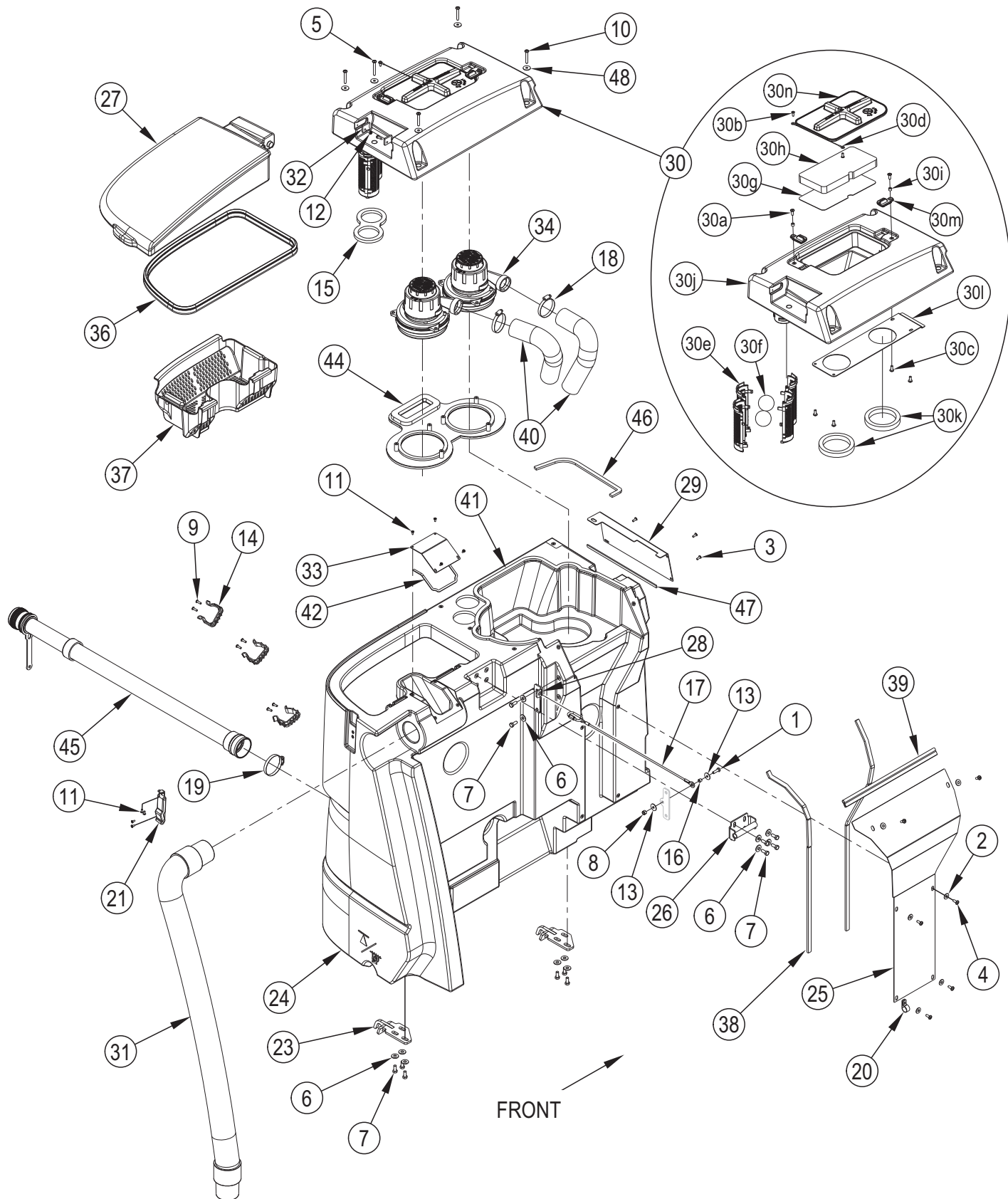
MAIN BROOM SYSTEM



MAIN BROOM SYSTEM

| Kit | Item | Ref. No. | Qty | Description | Kit | Item | Ref. No. | Qty | Description |
|-------------|------|------------|-----|---|-------|----------|----------|---|--|
| K7 | 1 | | 1 | Lock Washer, 3/8 Int./Ext. Tooth | | 46 | 56511187 | 1 | Broom Door Assembly |
| K7 | 2 | | 1 | Flat Washer, 1.00 X .39 X .06 | | 46a | 56002850 | 2 | Nut, Hex Nyl Loc-Thin SS 1/4-20 |
| | 3 | 2-00-05187 | 1 | 3/8-16 X 1.0", Carriage Bolt | | 46b | 56002859 | 3 | Wsh-Flt SAE SS 1/4 |
| K7 | 4 | | 1 | Nut Hex Nyl Loc 3/8-16 | | 46c | 56002937 | 3 | Scr-Hex Loc SS 5/16-18 X .62 |
| | 5 | 33018858 | 1 | Main Broom Spiral | | 46d | 56003221 | 2 | Scr-Hex Loc SS 1/4-20 X .75 |
| K6,K7 | 6 | | 4 | Nut-Hex Nyl Loc Ss 1/4-20 | | 46e | 56003717 | 1 | Scr, Soc Shd .31 X .25 X 1/4-20 |
| K5,K7 | 7 | | 1 | Scr- Hex Ss 3/8-16 X 2.00 | | 46f | 56003844 | 1 | Scr- Hex SS 1/4-20 X .88 |
| K1,K7 | 8 | | 8 | Scr- Hex Ss 1/4-20 X .75 | | 46g | 56413802 | 1 | Latch, Rh |
| K6,K7 | 9 | | 2 | Nut-Hex Nyl Loc Ss 1/2-13 | | 46h | 56511116 | 1 | Broom Door Weldment |
| K7 | 10 | | 5 | Nut, Hex Nyl Loc-Thin Ss 1/4-20 | | 46i | 56509612 | 1 | Seal-Broom Door |
| K6,K7 | 11 | | 5 | Wsh-Flt Sae Ss 1/4 | | 46j | 56509754 | 1 | Arm-Stop |
| K7 | 12 | | 1 | Scr- Hex Ss 1/4-20 X 1.00 | K5 | 47 | | 1 | Actuator-Lin-36v-51mm Stroke M6 |
| | 13# | | | DELETED | K5 | 48 | | 1 | Bracket-Spring |
| K6,K7 | 14 | | 2 | Scr- Hex Ss 1/2-13 X 1.75 | K6 | 49 | | 1 | Pin-Clevis-Grooved-Ss .5x2.75 |
| K6,K7 | 15 | | 2 | Wsh-Flt Sae Ss 1/2 | K6 | 50 | | 1 | Retaining Ring-E Style-Ss .5 |
| K4,K7 | 16 | | 6 | Scr-Pan Phil Ss 1/4-20 X .75 | K2,K9 | 51 | 56477613 | 2 | Cable Tie E00549 Re409s |
| K5,K6,K717# | 17# | | 3 | Nut Hex Nyl Loc-Thin Ss 3/8-16 | K2,K9 | 52 | 56478246 | 1 | Cable Tie E00549 Re438ba |
| K6,K7 | 18 | | 1 | Key, Sq .25 X 1.19 | K2,K9 | 53 | | 1 | Scr Hex Thd Form 1/4-20x.50 |
| K5,K7 | 19 | | 3 | Pin-Clevis .375 X 2.25 | K2,K9 | 54 | | 1 | Clip-Mount-Tie Down |
| K6,K7 | 20 | | 4 | Scr-Carriage Ss 1/4-20 X .75 | | 55# | 56386407 | 1 | Clip E00360 |
| K5,K7 | 21 | | 1 | Pin-Clevis .50 X 1.75 | | 56# | 56413211 | 2 | Bearing Flange .625x.500x.250 |
| K5,K7 | 22 | | 3 | Pin-Bow-Tie Cot 1/4-3/8x.072 | K6,K7 | 57# | | 2 | Scr Soc Hd Shd .50x.38x3/8-16 |
| K5,K7 | 23 | | 1 | Pin-Bow-Tie Cot 7/16-1/2x.091 | | | | | |
| K2,K6,K724 | 24 | | 4 | Scr-Hex Loc Ss 5/16-18 X 1.00 | | | | | Main Brooms |
| K2,K7,K825 | 25 | 56004012 | 1 | Wsh-Flt 18-8 Ss-1.062x2x.13 | | | 33018858 | 1 | Main Broom Spiral |
| K6,K7 | 26 | | 1 | Wsh, Flt Harden .344x1.000x.120/.135 | | * | 33018856 | 1 | Broom-Main Nylon |
| K5 | 27 | | 2 | Bearing, Flange | | * | 33018857 | 1 | Broom-Main Prolene |
| K2,K8 | 28 | 56384760 | 1 | Guard-String | | | | | Service Kits |
| | 29 | 56416517 | 1 | Strap,Static, 12.5" | K1 | 56510739 | 1 | Strap Kit-Broom Rear | |
| K6 | 30 | | 2 | Bearing | K2 | 56510740 | 1 | Motor Kit-Broom M1 | |
| K5 | 31 | | 1 | Spring-Extension | K3 | 56422152 | 1 | Brush Kit-Motor (for Broom Motor Assy) | |
| K4 | 32 | | 1 | Foam-Right Skirt | K4 | 56510741 | 1 | Skirt Kit-Broom | |
| K4 | 33 | | 1 | Foam-Left Skirt | K5 | 56511898 | 1 | Actuator Kit-Main Broom | |
| K4 | 34 | | 1 | Skirt-Right | K6 | 56510804 | 1 | Support Kit-Main Broom | |
| K4 | 35 | | 1 | Skirt-Left | K7 | 56511882 | 1 | Hardware Kit-Main Broom | |
| K4 | 36 | | 2 | Strap-Skirt | K8 | 56384904 | 1 | String Guard Kit | |
| | 37 | 56509520 | 1 | Strap-Left Skirt | K9 | 56384531 | 1 | Motor Only Kit-Main Broom | |
| | 38 | 56509525 | 1 | Panel Weldment | K10 | 56385366 | 1 | Motor Repair Kit | |
| K2,K9,K10 | 39 | | 1 | Broom Motor Assembly M1 | | | | | * = Optional, Not Included |
| K3 | [] | | 1 | Brush Kit-Motor (for Broom Motor Assy) | | | | | [] = Not Shown |
| K1 | 40 | | 1 | Flap-Broom Recirc | | | | | # = Revised or new since last update |
| K1 | 41 | | 1 | Skirt-Broom Rear | | | | | NOTE 1:# If you need to replace the old Broom Arm Assembly 56511186, please order the Broom Arm Kit 56394115. |
| K1 | 42 | | 2 | Strap-Broom Rear | | | | | |
| K6 | 43 | | 1 | Broom Drive Hub Assembly | | | | | |
| K6 | 44 | | 1 | Broom Support Weldment | | | | | |
| | 45# | 56394114 | 1 | Broom Arm Assembly NOTE 1 | | | | | |
| | 45a | 56003314 | 1 | Ring, Retainer | | | | | |
| | 45b | 56003338 | 1 | Scr-Hex Loc SS 3/8-16 X .75 | | | | | |
| | 45c | 56009195 | 1 | Wsh-Flt .406 X 1.25 X .164 | | | | | |
| | 45d | 56479430 | 2 | Bearing Ball | | | | | |
| | 45e# | 56394113 | 1 | Broom Arm Weldment | | | | | |
| | 45f | 56509726 | 1 | Hub-Broom Idler | | | | | |

RECOVERY SYSTEM



RECOVERY SYSTEM

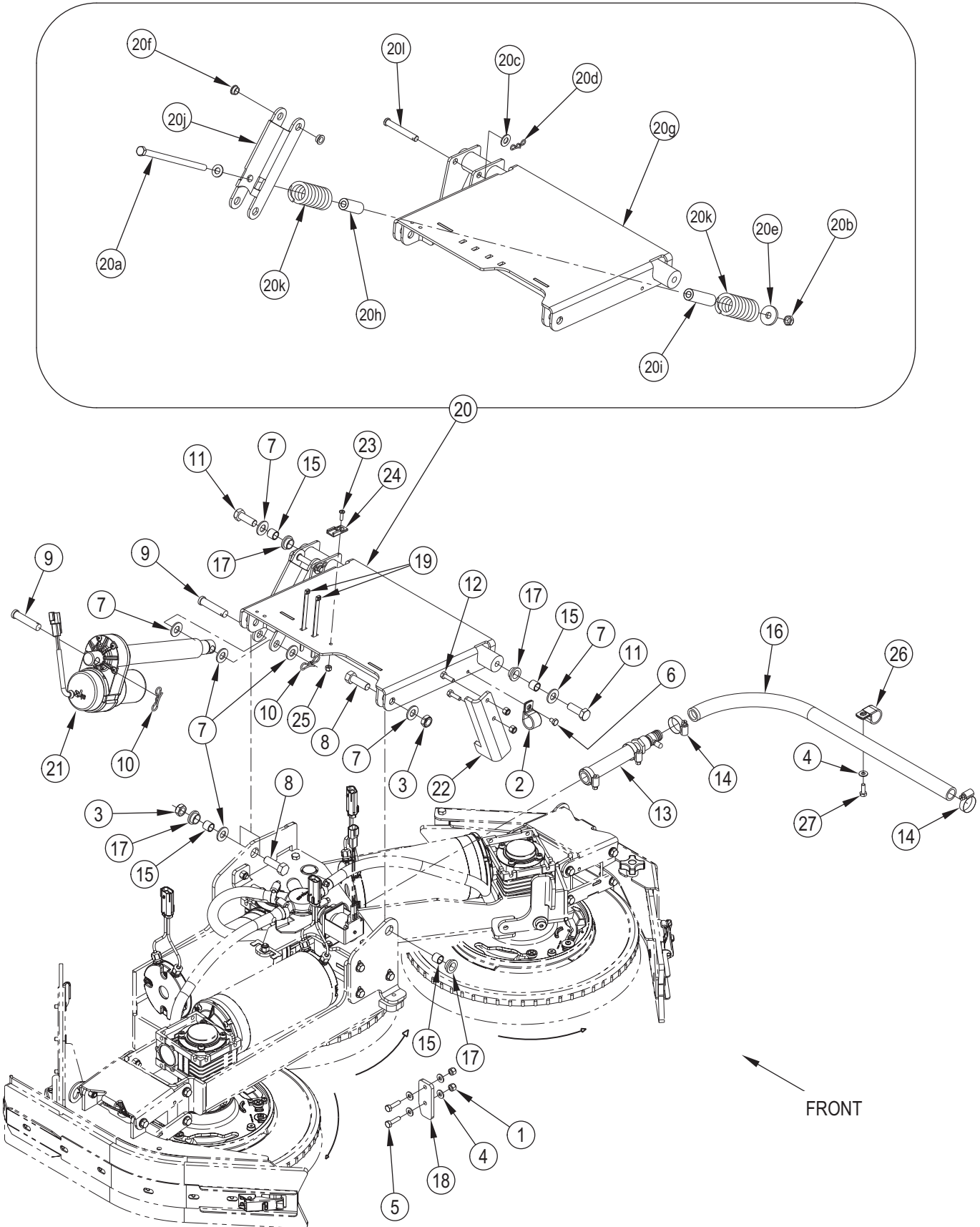
| Kit | Item | Ref. No. | Qty | Description |
|-------|------|----------|-----|------------------------------------|
| K5 | 1 | | 1 | Scr. Hex 1/4-20 X .88 |
| K5 | 2 | | 6 | Wsh, Flt Std 1/4 |
| K5 | 3 | | 3 | Scr-Pan Phil 10-24 X .50 |
| K5 | 4 | | 6 | Scr-Pan Phil 1/4-20 X .62 |
| K5 | 5 | | 1 | Scr-Pan Phil S.S. 1/4-20 X 2.0 |
| K5,K6 | 6 | | 12 | Wsh, Flt Std 5/16 |
| K5,K6 | 7 | | 12 | Scr. Hex Hd Loc 5/16-18 X .75 |
| K5 | 8 | | 1 | Nut, Hex Nyl Loc 1/4-20 |
| K4,K5 | 9 | | 6 | Scr. Pan Phil SS 10-24 X .62 |
| K5 | 10 | | 4 | Scr Pan Phil SS 1/4-20 X 1.75 |
| K5 | 11 | | 8 | Scr. Pan Phil SS 8-32 X .38 |
| K5 | 12 | | 2 | Scr Panphils Type Ab 10-16x.75 |
| K5 | 13 | | 2 | Wsh, Flt .266 X .906 X .060 |
| K4 | 14 | | 3 | Clamp. Plastic |
| | 15 | 56511944 | 2 | Gasket - Dual - Inlet |
| | 16 | 56368989 | 1 | Bushing |
| | 17 | 56382992 | 1 | Cable Assy-Quick Link-19.5 In |
| | 18 | 56440213 | 2 | Clamp- Hose SAE #32 |
| K3 | 19 | | 1 | Clamp- Hose SAE #36 |
| | 20 | 56486112 | 1 | Clamp-P |
| | 21 | 56507188 | 1 | Latch |
| K6 | 23 | | 2 | Tank Pivot Weldt |
| | 24 | 56509194 | 1 | Tank-Recovery |
| | 25 | 56509285 | 1 | Exhaust Cover |
| | 26 | 56509304 | 1 | Latch Pin Weldment |
| K1 | 27 | 56509350 | 1 | Cover - Recovery Tank |
| | 28 | 56509355 | 1 | Tether Hook |
| | 29 | 56509364 | 1 | Plate-Cover |
| | 30 | | 1 | Vac Fan Cover Assy |
| K5 | 30a | | 2 | Scr Pan Phil SS 1/4-20 X .62 |
| K5 | 30b | | 2 | Scr. Pan Phil Plastite 10-14 X .50 |
| K5 | 30c | | 4 | Scr. Pan Phil Type B 1/4-14 X .62 |
| | 30d | 56314400 | 1 | Wire Rope, 9 Inch |
| K2 | 30e | | 4 | Cage, Float |
| K2 | 30f | | 2 | Ball, Float |
| | 30g | 56413194 | 1 | Screen, Filter |
| | 30h | 56413195 | 1 | Filter |
| | 30i | 56453849 | 2 | Bushing .26x.37x.28 |
| | 30j | 56509201 | 1 | Cover-Vac Fan |
| | 30k | 56511945 | 2 | Gasket - Motor - Inlet |
| | 30l | 56511732 | 1 | Plate - Vac - Top |
| | 30m | 56510695 | 2 | Latch-Plastic |
| | 30n | 56510701 | 1 | Lid Assy-Vac Filter |
| | | 56314491 | 1 | Gasket Vac Cover |

| Kit | Item | Ref. No. | Qty | Description |
|-----|------|----------|-----|---|
| | 31 | 56509985 | 1 | Hose-Squeegee |
| | 32 | 56510143 | 2 | Tab-Hinge |
| | 33 | 56510189 | 1 | Plate-Inlet |
| | 34 | 56511400 | 2 | Motor-Vac-42vdc-17000RPM-.75HP M4 / M5 |
| K7 | [] | | 1 | Vacuum Motor Brush Kit |
| K1 | 36 | 56510232 | 1 | Gasket-Recovery Cover |
| | 37 | 56510611 | 1 | Debris Basket |
| | 38 | 56510674 | 2 | Gasket-Cover |
| | 39 | 56510676 | 1 | Trim-Seal |
| | 40 | 56510677 | 2 | Foam Tube Assy |
| | 41 | 56510678 | 1 | Gasket-Tank |
| | 42 | 56510679 | 1 | Gasket-Inlet Plate |
| K5 | 43 | | 5 | Wsh-Fit SS .266 X .906 X .060 |
| | 44 | 56511738 | 1 | Vacuum Plate Assy-Bottom |
| K3 | 45 | | 1 | Drain Hose Ribbed |
| | 46 | 56511189 | 1 | Gasket-Panel |
| | 47 | 56511190 | 1 | Gasket-Cover |

Service Kits

| | | | | |
|--|----|----------|---|------------------------------|
| | K1 | 56510580 | 1 | Lid Kit-Rec |
| | K2 | 56510583 | 1 | Float Ball Cage Kit |
| | K3 | 56383261 | 1 | Drain Hose Kit |
| | K4 | 56510586 | 1 | Clip Kit-Drain Hose |
| | K5 | 56511889 | 1 | Hardware Kit-Recovery System |
| | K6 | 56510584 | 1 | Pivot Kit-Rec Tank |
| | K7 | 56116107 | 1 | Vacuum Motor Brush Kit |

SCRUBBING SYSTEM-1

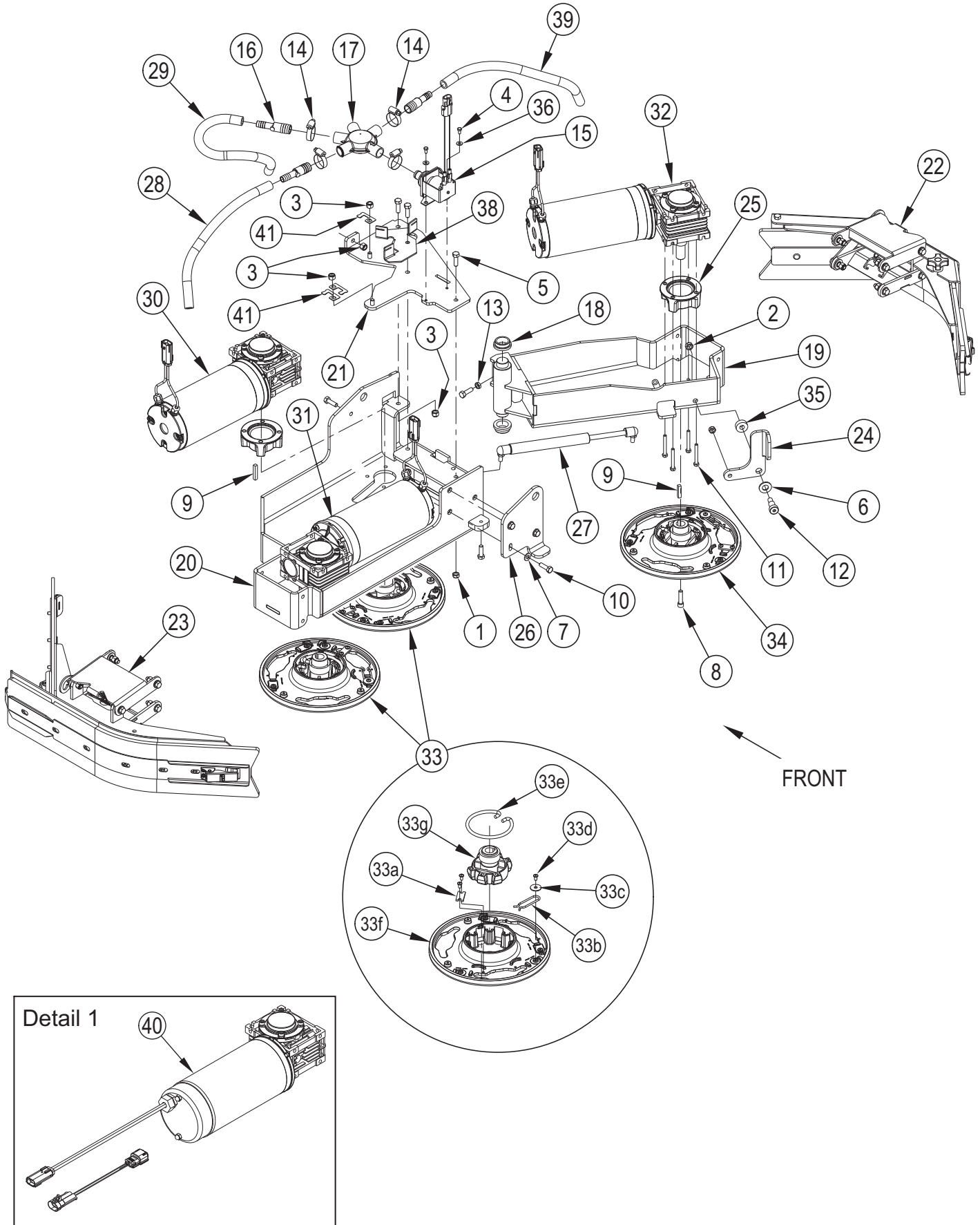


SCRUBBING SYSTEM-1

| Kit | Item | Ref. No. | Qty | Description |
|---------------------|-------------|-----------------|------------|---|
| K1 | 1 | | 6 | Nut, Hex Nyl Loc SS 1/4-20 |
| | 2# | 56303651 | 2 | Clamp P CI-16 |
| K1 | 3 | | 2 | Nut, Hex Nyl Loc-Thin SS 1/2-13 |
| K1 | 4# | | 5 | Wsh-Fit SAE SS 1/4 |
| K1 | 5 | | 2 | Scr- Hex SS 1/4-20 X 1.00 |
| K1 | 6 | | 1 | Scr Hex Thd Form 1/4-20x .38 |
| K1 | 7 | | 8 | Wsh-Fit SAE SS 1/2 |
| K1 | 8 | | 2 | Scr- Hex SS 1/2-13 X 1.50 |
| K1 | 9 | | 2 | Clevis Pin |
| K1 | 10 | | 2 | Pin- Bow-Tie Cotter 7/16 - 1/2 |
| K1 | 11 | | 2 | Scr-Hex Loc SS M12-1.75 X 35mm |
| K1 | 12 | | 2 | Scr- Hex SS 1/4-20 X .88 |
| | 13 | 56510946 | 1 | Chem. Injection Tee Assy |
| | 14# | 56244969 | 3 | Clamp- Hose SAE #12 |
| | 15 | 56367206 | 4 | Bushing |
| | 16 | 56510948 | 1 | Hose-.75 X 21.50 In. Spiral |
| | 17 | 56420160 | 4 | Bearing, Flange |
| | 18 | 56510625 | 1 | Stop-Scrub Deck |
| | 19 | 2-00-04345 | 2 | Ty-Rap Thomas+Betts-Ty-28m |
| | 20 | | 1 | Arm-Deck Lift Assembly |
| | 20a | 56003845 | 1 | Scr. Hex SS 3/8-16 X 7.00 |
| | 20b | 56002852 | 1 | Nut, Hex Nyl Loc-Thin SS 3/8-16 |
| | 20c | 56002910 | 2 | Wsh-Fit SAE SS 3/8 |
| | 20d | 56003813 | 1 | Pin- Bow-Tie Cotter 1/4 - 3/8 |
| | 20e | 56009195 | 1 | Wsh-Fit .406 X 1.25 X .164 |
| | 20f | 56324505 | 2 | Bearing, Flange |
| | 20g | 56511162 | 1 | Deck Lift Weldment |
| | 20h | 56509186 | 1 | Spacer-.385 X .75 X 1.75 |
| | 20i | 56509189 | 1 | Spacer-.385 X .75 X 2.56 |
| | 20j | 56511146 | 1 | Arm-Lift Spring |
| | 20k | 56601470 | 2 | Compression Spring |
| | 20l | 2-00-06075 | 1 | Pin Clevis 3/8 X 2.625 |
| | 21 | 56511263 | 1 | Actuator-Lin-36v-152 Mm Stroke M17 |
| | 22 | 56509622 | 1 | Bracket-Positive Stop |
| | 23 | 56002124 | 1 | Screw10-24 X .62 Pnh Ph |
| | 24 | 56511941 | 1 | Clip-Deutsh Connector |
| | 25 | 56002836 | 1 | Nut Hex Nyl Loc Ss 10-24 |
| | 26# | 56303651 | 2 | Clamp P CI-16 |
| | 27# | 56002807 | 1 | Scr Hex Ss 1/4-20 X .75 |
| Service Kits | | | | |
| K1 | 56511886 | | 1 | Hardware Kit-Scrub Sys |

= Revised or new since last update

SCRUBBING SYSTEM-2



SCRUBBING SYSTEM-2

| Kit | Item | Ref. No. | Qty | Description |
|-------|------|----------|-----|---|
| K1,K2 | 1 | | 2 | Nut, Hex Nyl Loc-Thin SS 5/16-18 |
| K1,K2 | 2 | | 1 | Nut, Hex Nyl Loc-Thin SS 3/8-16 |
| K1,K2 | 3# | | 6 | Nut, Hex Nyl Loc SS 5/16-18 |
| K1,K2 | 4 | | 2 | Scr- Hex SS 10-24 X .38 |
| K1,K2 | 5 | | 5 | Scr- Hex SS 5/16-18 X 1.00 |
| K1,K2 | 6 | | 1 | Wsh-Flt SAE SS 1/2 |
| K1,K2 | 7 | | 3 | Wsh-Flt SAE SS 5/16 |
| K1,K2 | 8 | | 3 | Scr-Soc Hd SS 5/16-18 X 1.25 |
| K1,K2 | 9 | | 3 | Key, Sq .25 X 1.44 |
| K1 | 10 | | 4 | Scr-Hex Loc SS 5/16-18 X 1.00 |
| K1 | 11 | | 12 | Scr-Hex Loc SS M6-1 X 50mm |
| K1 | 12 | | 1 | Scr-Soc Shd .50 X .75 X 3/8-16 |
| K1 | 13 | | 1 | Nut-Hex Jam SS 5/16-18 |
| K3 | 14 | 56244969 | 4 | Clamp- Hose SAE #12 |
| | 15 | 56511832 | 1 | Valve-Solenoid Assy-36v L1 |
| | 16 | 56315625 | 3 | Barb, Coupler 1/2 X 3/4 |
| K3 | 17 | 56413426 | 1 | Manifold, Solution |
| | 18 | 56507767 | 2 | Bearing, Fl 1 Id X 1-1/4 Od X 1/2 L |
| | 19 | 56511129 | 1 | Arm-Weldment |
| | 20 | 56511158 | 1 | Deck-Weldment |
| | 21 | 56511159 | 1 | Plate-Pivot |
| | 22# | | 1 | Assembly-Side Squeegee (see pages 90-91) |
| | 23# | | 1 | Assembly-Side Squeegee (see pages 92-93) |
| | 24 | 56511210 | 1 | Bracket-Lever Arm |
| | 25 | 56510005 | 3 | Spacer-Motor |
| | 26 | 56511126 | 1 | Bracket-Scrub Adjustment |
| | 27 | 56510144 | 1 | Spring-Gas |
| | 28 | 56510287 | 1 | Hose-Push Lock 14 |
| | 29 | 56510288 | 1 | Hose-Push Lock 17.5 |

| Kit | Item | Ref. No. | Qty | Description |
|-----|------|----------|-----|---|
| | 30 | 56511937 | 1 | Gearmotor Assy-Center M13 / M14 |
| | [] | 56422152 | 1 | Brush Kit (for 56511937) |
| | 31 | 56511935 | 2 | Gearmotor Assy-Left M13 / M14 |
| | [] | 56422152 | 1 | Brush Kit (for 56511935) |
| | 32 | 56511936 | 1 | Gearmotor Assy-Right M15 |
| | [] | 56422152 | 1 | Brush Kit (for 56511936) |
| | 33 | 56601276 | 2 | Brush Plate Assy |
| | 33a | 56366455 | 1 | Plate, Stop |
| | 33b | 56366463 | 1 | Spring Retainer |
| | 33c | 56009002 | 1 | Wsh, Flt .266 X .906 X .060 |
| | 33d | 56009247 | 3 | Scr, Pan Phil Plastite 10-14 X .38 |
| | 33e | 56601056 | 1 | Spring, Brush Holder |
| | 33f | 56601118 | 1 | Brush Plate |
| | 33g | 56112521 | 1 | Gimbal-Collar Assembly |
| | 34 | 56601384 | 1 | Brush Plate Assy NOTE 1 |
| | 35 | 56510990 | 1 | Spacer .406x1.00x.370 |
| K1 | 36 | | 2 | Wsh Flt SS .219x.500x.047/.062 |
| | 37# | | | DELETED |
| K3 | 38 | | 1 | Bracket-Manifold |
| | 39 | 56510289 | 1 | Hose-Push Lock 16 |
| | [40] | | 1 | Scrub Motor Assembly (Imperial Scrub motor Assembly) NOTE 2 |
| | [] | 56510763 | 1 | Brush Kit-Motor (For Imperial Scrub motor Assembly) NOTE 2 |
| | 41# | 56384494 | 3 | Clip-Mount-Tie Down |

Service Kits

| | | | |
|----|----------|---|------------------------|
| K1 | 56511886 | 1 | Hardware Kit-Scrub Sys |
| K2 | 56510807 | 1 | Hardware Kit-Deck Assy |
| K3 | 56384703 | 1 | Manifold Bracket Kit |

[] = Not Shown

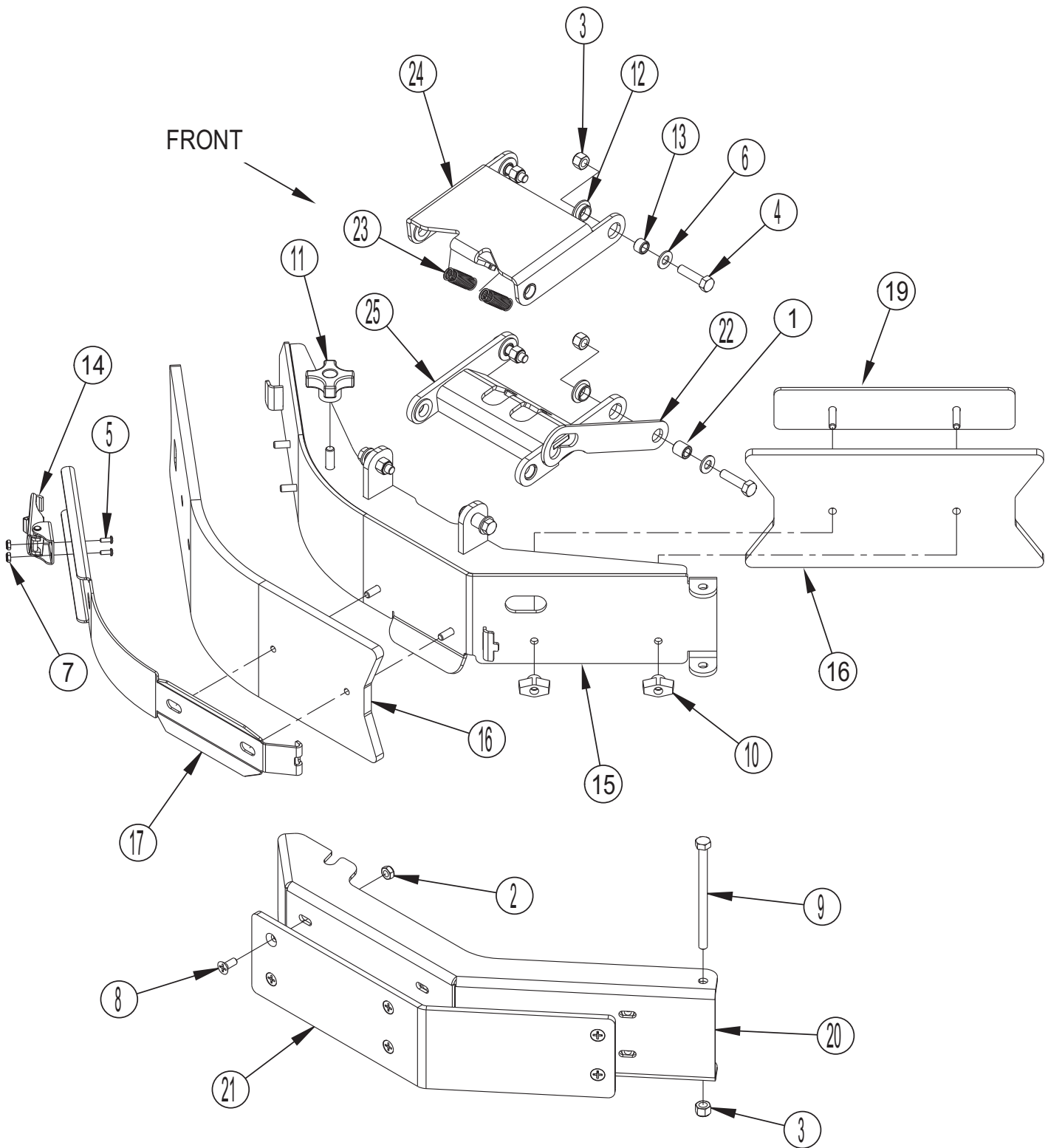
= Revised or new since last update

NOTE 1: Uses same components as 56601276.

NOTE 2: Machines with Imperial Scrub Motor Assemblies require Brush Motor Kits 56510763.

See Detail 1 to identify the style of motor that requires this Brush Kit.

SCRUB SYSTEM-RIGHT SKIRT ASSEMBLY



SCRUB SYSTEM-RIGHT SKIRT ASSEMBLY

| Kit | Item | Ref. No. | Qty | Description |
|------------|-------------|-----------------|------------|--------------------------------------|
| | | | 1 | Assembly-Side Squeegee |
| K1 | 1 | | 2 | Bushing |
| K4 | 2 | | 7 | Nut, Hex Nyl Loc-Thin SS 1/4-20 |
| K1,K3 | 3 | | 9 | Nut, Hex Nyl Loc SS 5/16-18 |
| K1 | 4 | | 8 | Scr- Hex SS 5/16-18 X 1.25 |
| K2 | 5 | | 2 | Scr, Pan Phil SS 6-32 X .38 |
| K1 | 6 | | 8 | Wsh-Flt SAE SS 5/16 |
| K2 | 7 | | 2 | Nut, Hex Nyl Loc-Thin SS 6-32 |
| K4 | 8 | | 7 | Scr-Flt Phil SS 1/4-20 X .75 |
| K3 | 9 | | 1 | Scr- Hex SS 5/16-18 X 4.50 |
| K3 | 10 | | 2 | Knob, Wing |
| | 11 | 56407303 | 1 | Knob |
| K1 | 12 | | 8 | Bearing, Flange .625 X .500 X .250 |
| K1 | 13 | | 6 | Bushing .32x.50x.35 |
| K2 | 14 | | 1 | Latch Assembly |
| | 15 | 56511160 | 1 | Blade Support Weldment |
| | 16# | 56510374 | 1 | Blade Kit-Deck Linatex NOTE 1 |
| K2 | 17 | | 1 | Strap-Blade |
| | 19 | 56511275 | 1 | Strap Weldment-Squeegee |
| | 20 | 56511213 | 1 | Guard-Edge Scrub |
| K4 | 21 | | 1 | Guard-Uhmw |
| K1 | 22 | 56510139 | 1 | Plate-Catch |
| K1 | 23 | 56510254 | 2 | Spring-Extension |
| K1 | 24 | | 1 | Arm-Side Squeegee Weldt |
| K1 | 25 | | 1 | Arm-Side Squeegee Weldt |

Deck Blade Kits

| | | | |
|---|----------|---|--------------------------------------|
| # | 56510374 | 1 | Blade Kit-Deck Linatex NOTE 1 |
| * | 56510375 | 1 | Blade Kit-Deck Gum NOTE 1 |
| * | 56510376 | 1 | Blade Kit-Deck PU NOTE 1 |

Service Kits

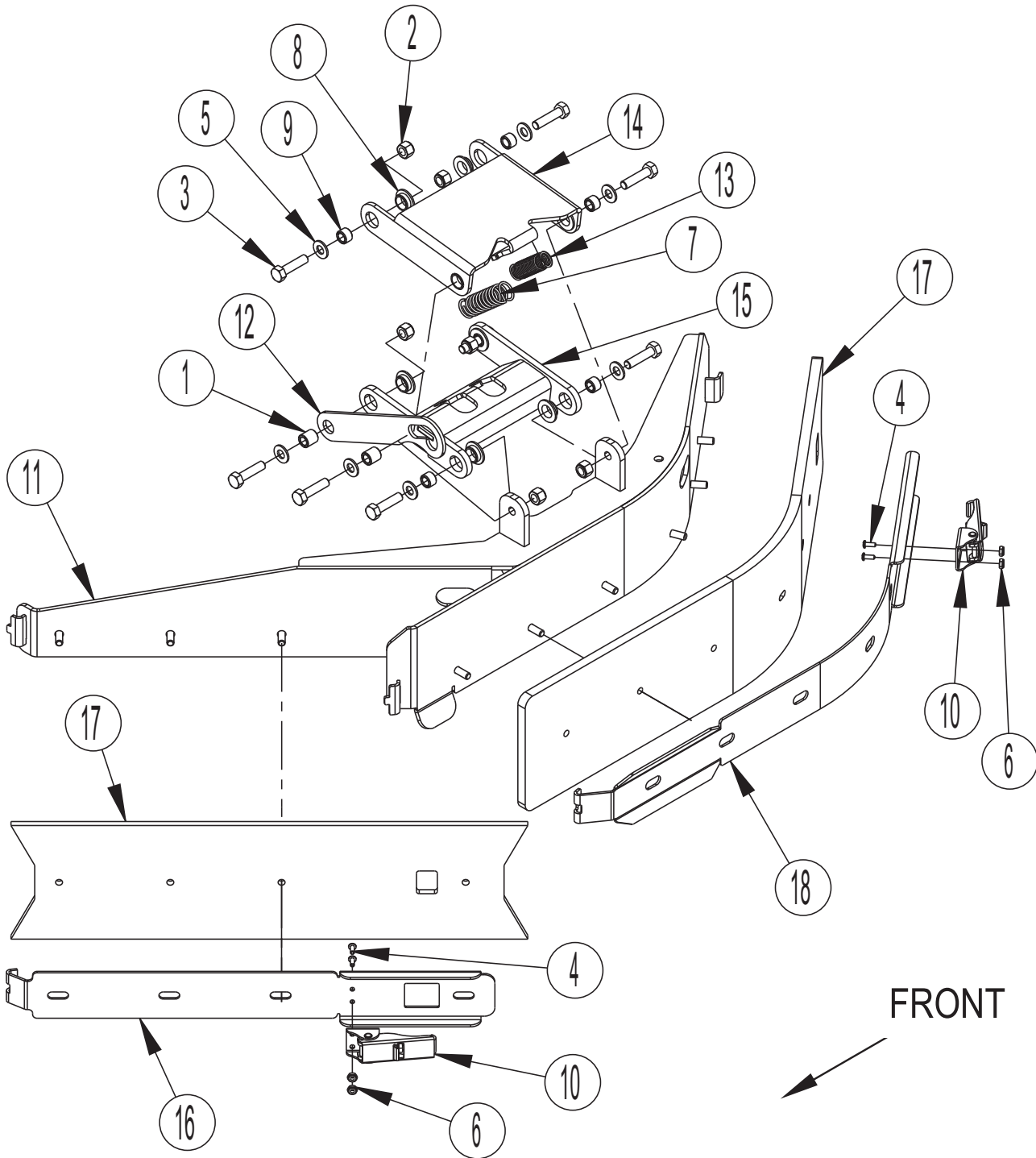
| | | | |
|----|----------|---|-------------------------------|
| K1 | 56383050 | 1 | Arm Kit-Right Side Squeegee |
| K2 | 56510811 | 1 | Strap Kit-Side Squeegee |
| K3 | 56510812 | 1 | Hardware Kit-Side Squeegee Rt |
| K4 | 56510813 | 1 | Guard Kit-UHMW |

* = Optional, Not Included

= Revised or new since last update

NOTE 1: All Deck Blade Kits include all blades for both skirt assemblies

SCRUB SYSTEM-LEFT SKIRT ASSEMBLY



SCRUB SYSTEM-LEFT SKIRT ASSEMBLY

| Kit | Item | Ref. No. | Qty | Description |
|------------|-------------|-----------------|------------|--------------------------------------|
| | | | 1 | Assembly-Side Squeegee |
| K1 | 1 | | 2 | Bushing |
| K1 | 2 | | 8 | Nut, Hex Nyl Loc SS 5/16-18 |
| K1 | 3 | | 8 | Scr- Hex SS 5/16-18 X 1.25 |
| K2,K3 | 4 | | 4 | Scr, Pan Phil SS 6-32 X .38 |
| K1 | 5 | | 8 | Wsh-Flt SAE SS 5/16 |
| K2,K3 | 6 | | 4 | Nut, Hex Nyl Loc-Thin SS 6-32 |
| K1 | 7 | 56305253 | 1 | Spring, Extension |
| K1 | 8 | | 8 | Bearing, Flange .625 X .500 X .250 |
| K1 | 9 | | 6 | Bushing .32x.50x.35 |
| K2,K3 | 10 | | 2 | Latch Assembly |
| | 11 | 56511161 | 1 | Blade Support Weldment |
| K1 | 12 | 56510139 | 1 | Plate-Catch |
| K1 | 13 | 56510254 | 1 | Spring-Extension |
| K1 | 14 | | 1 | Arm-Side Squeegee Weldt |
| K1 | 15 | | 1 | Arm-Side Squeegee Weldt |
| K2 | 16 | | 1 | Strap-Blade |
| | 17# | 56510374 | 1 | Blade Kit-Deck Linatex NOTE 1 |
| K3 | 18 | | 1 | Strap-Blade |

Deck Blade Kits

| | | | |
|---|----------|---|--------------------------------------|
| # | 56510374 | 1 | Blade Kit-Deck Linatex NOTE 1 |
| * | 56510375 | 1 | Blade Kit-Deck Gum NOTE 1 |
| * | 56510376 | 1 | Blade Kit-Deck PU NOTE 1 |

Service Kits

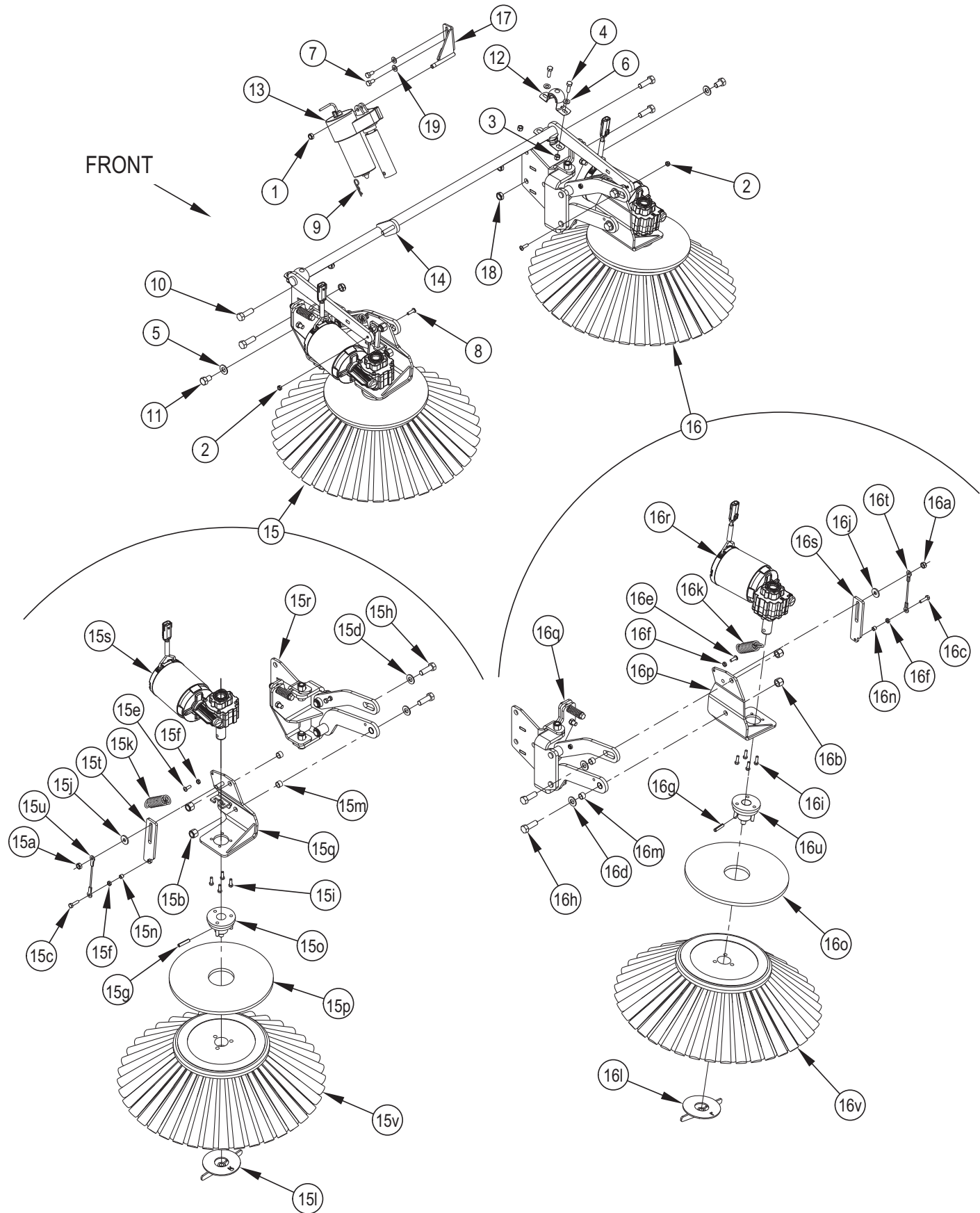
| | | | |
|----|----------|---|-------------------------------|
| K1 | 56510810 | 1 | Arm Kit-Left Side Squeegee |
| K2 | 56510883 | 1 | Strap Kit-Side Squeegee LT FR |
| K3 | 56510882 | 1 | Strap Kit-Side Squeegee LT RR |

* = Optional, Not Included

= Revised or new since last update

NOTE 1: All Deck Blade Kits include all blades for both skirt assemblies

SIDE BROOM SYSTEM



SIDE BROOM SYSTEM

| Kit | Item | Ref. No. | Qty | Description |
|-------------|------|----------|-----|---|
| K4 | 1 | | 1 | Nut, Hex Nyl Loc-Thin 3/8-16 |
| K4 | 2 | | 2 | Nut, Hex Nyl Loc-Thin SS 1/4-20 |
| K1,K4 | 3 | | 4 | Nut, Hex Nyl Loc SS 5/16-18 |
| K1,K4 | 4 | | 4 | Scr- Hex SS 5/16-18 X 1.00 |
| K4 | 5 | | 2 | Wsh-Fit SAE SS 1/2 |
| K1,K4 | 6 | | 4 | Wsh-Fit SAE SS 5/16 |
| K4 | 7 | | 2 | Scr, Hex Hd Loc |
| K4 | 8 | | 2 | Scr, Pan Phil SS 1/4-20 X .88 |
| K4 | 9 | | 1 | Pin, Cotter Hair .0915 X .375 |
| K4 | 10 | | 4 | Scr- Hex SS 1/2-13 X 1.50 |
| K4 | 11 | 56003834 | 2 | Scr-Hex Loc SS 1/2-13 X .75 |
| K1 | 12 | | 2 | Bearing, Pillow Block |
| | 13 | 56116781 | 1 | Actuator-36v M13 / M18 |
| | 14 | 56511113 | 1 | Side Broom Lift Weldt |
| | 15 | | 1 | Right Side Broom Assy |
| K2 | 15a | | 1 | Nut Hex Nyl Loc-Thin Ss 3/8-16 |
| K2,K4 | 15b | | 2 | Nut, Hex Nyl Loc SS 1/2-13 |
| K2,K4 | 15c | | 1 | Scr- Hex SS 1/4-20 X 1.00 |
| K2,K4 | 15d | | 2 | Wsh-Fit SAE SS 1/2 |
| K2,K4,K515e | | | 1 | Scr, Pan Phil SS 1/4-20 X .75 |
| K2,K4,K515f | | | 2 | Nut-Hex Jam SS 1/4-20 |
| K4,K5 | 15g | | 1 | Pin, Spr .31 X 1.38 |
| K2,K4 | 15h | | 2 | Scr- Hex SS 1/2-13 X 1.50 |
| K4,K5 | 15i | | 4 | Scr-Hex Loc Ss M6-1 X 20mm |
| K2,K4 | 15j | | 1 | Wsh, Fit SS .378 X 1.000 X .120 |
| K2 | 15k | 56051136 | 1 | Spring, Ext |
| | 15l | 56305731 | 1 | Right Thumb Nut Weldt |
| K2 | 15m | | 2 | Bushing |
| K2 | 15n | | 1 | Bushing |
| | 15o | 56509046 | 1 | Side Broom Hub Assy |
| | 15p | 56509048 | 1 | Guard-Side Broom |
| K2 | 15q | 56511652 | 1 | Broom Motor Mount Weldment-Rs |
| K2 | 15r# | 56511195 | 1 | Rt Sb Arm Assy (see pages 96-97) |
| K6 | 15s | 56384565 | 1 | Motor-42vdc-115rpm-0.4hp-Right M3R |
| | [] | 56384521 | 1 | Sidebroom Motor Brush Kit (for 56384565 & 56384564) |
| K2 | 15t | | 1 | Bracket-Sb Lift |
| K2 | 15u | 56510639 | 1 | Cable Assy-.31 X 4.75 |
| | 15v | 56510707 | 1 | Broom-Side Poly |

| Kit | Item | Ref. No. | Qty | Description |
|-------|------|----------|-----|---|
| | 16 | | 1 | Left Side Broom Assy |
| K3,K4 | 16a | | 1 | Nut Hex Nyl Loc-Thin Ss 3/8-16 |
| K3 | 16b | | 2 | Nut, Hex Nyl Loc SS 1/2-13 |
| K3 | 16c | | 1 | Scr- Hex SS 1/4-20 X 1.00 |
| K3 | 16d | | 2 | Wsh-Fit SAE SS 1/2 |
| K3,K5 | 16e | | 1 | Scr, Pan Phil SS 1/4-20 X .75 |
| K3,K5 | 16f | | 2 | Nut-Hex Jam SS 1/4-20 |
| K5 | 16g | | 1 | Pin, Spr .31 X 1.38 |
| K3 | 16h | | 2 | Scr- Hex SS 1/2-13 X 1.50 |
| K5 | 16i | | 4 | Scr-Hex Loc Ss M6-1 X 20mm |
| K3,K4 | 16j | | 1 | Wsh, Fit SS .378 X 1.000 X .120 |
| K3 | 16k | 56051136 | 1 | Spring, Ext |
| | 16l | 56305725 | 1 | Left Thumb Nut Weldt |
| K3 | 16m | | 2 | Bushing |
| K3 | 16n | | 1 | Bushing |
| | 16o | 56509048 | 1 | Guard-Side Broom |
| K3 | 16p | 56511653 | 1 | Broom Motor Mount Weldment-Ls |
| K3 | 16q# | 56511196 | 1 | Lt Sb Arm Assy (see pages 98-99) |
| | 16r | 56384564 | 1 | Motor-42vdc-115rpm-0.4hp-Left M3L |
| | [] | 56384521 | 1 | Sidebroom Motor Brush Kit (for 56384565 & 56384564) |
| K3 | 16s | | 1 | Bracket-Sb Lift |
| K3 | 16t | 56510639 | 1 | Cable Assy-.31 X 4.75 |
| | 16u | 56510680 | 1 | Lt Sb Hub Assy |
| | 16v | 56510707 | 1 | Broom-Side Poly |
| | 17 | 56510954 | 1 | Actuator Bracket Weldt |
| K4 | 18 | | 4 | Nut-Hex Nyl Loc-Thin SS 1/2-13 |
| | 19 | | 2 | Wsh-Fit SAE 5/16 |

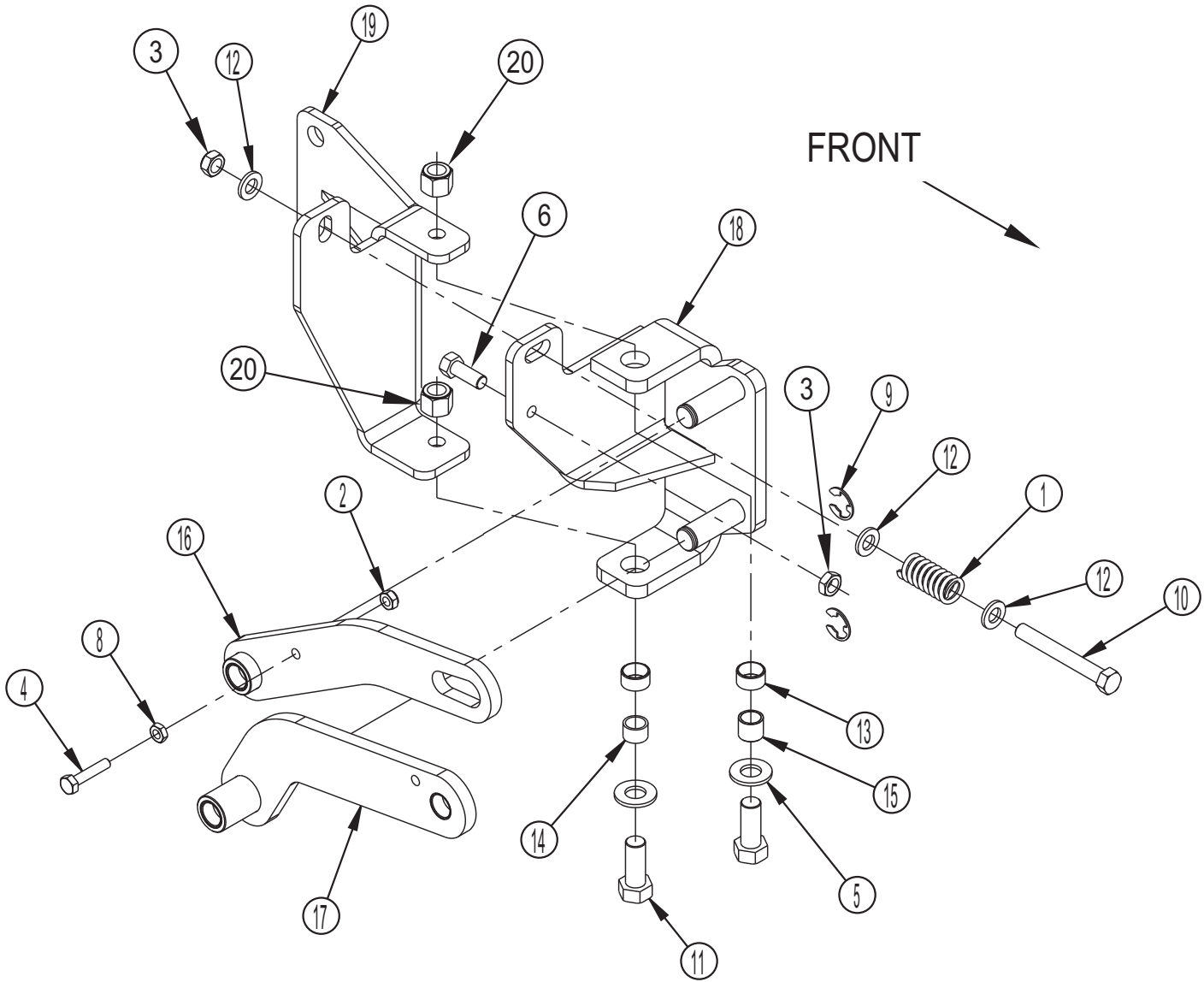
Service Kits

| | | | |
|----|----------|---|--------------------------------|
| K1 | 56510736 | 1 | Bearing Kit-Side Broom |
| K2 | 56510767 | 1 | Bracket Kit-Right Side Broom |
| K3 | 56510769 | 1 | Bracket Kit-Left Side Broom |
| K4 | 56511883 | 1 | Hardware Kit-Side Broom System |
| K5 | 56510822 | 2 | Hardware Kit-Side Broom Assy |

[] = Not Shown

= Revised or new since last update

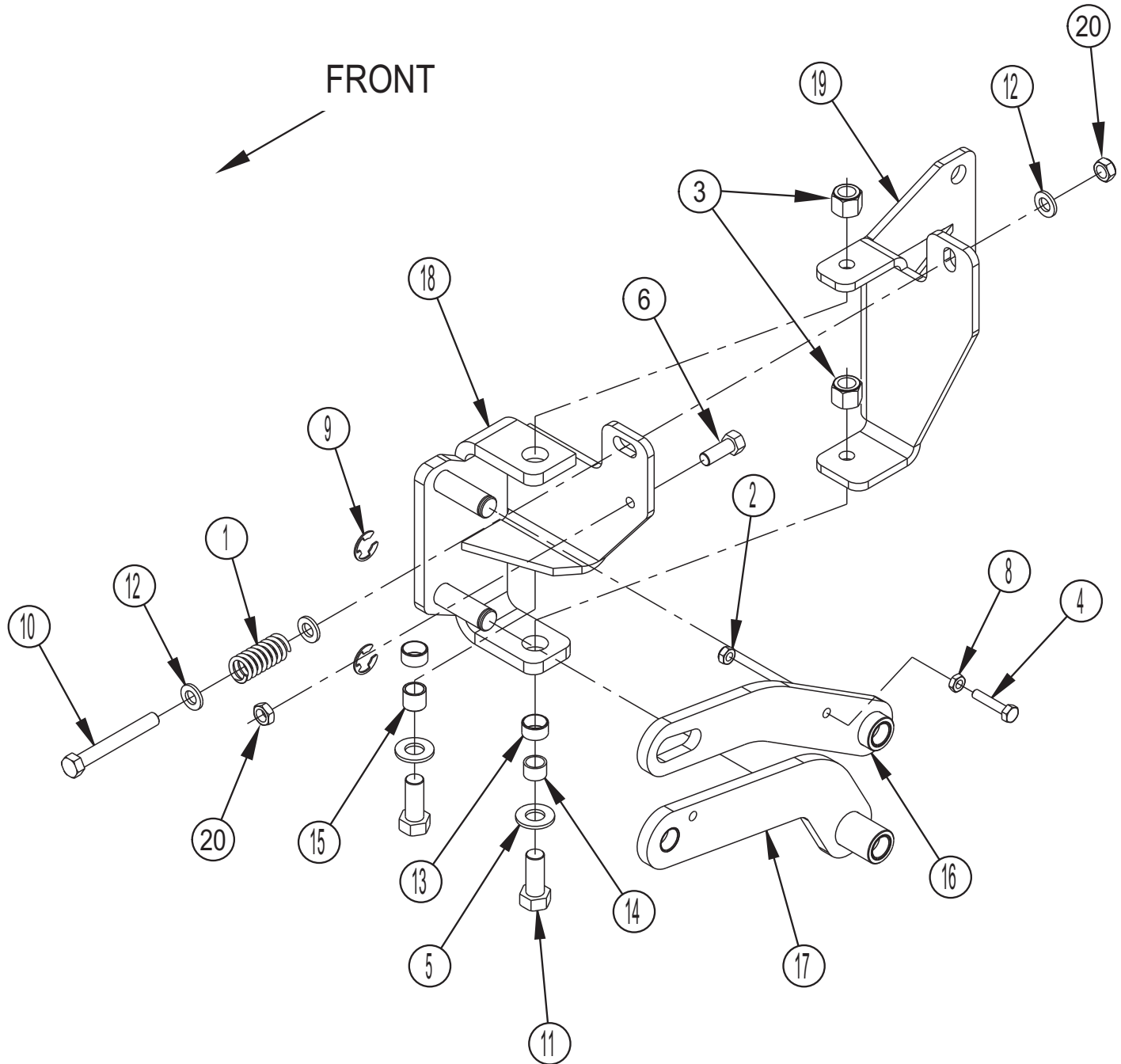
RIGHT SIDE BROOM ARM ASSEMBLY



RIGHT SIDE BROOM ARM ASSEMBLY

| Kit | Item | Ref. No. | Qty | Description |
|---------------------|-------------|-----------------|------------|---------------------------------|
| | | 56511195 | 1 | RT SB Arm Assy |
| | 1 | 56171123 | 1 | Spring, Compression |
| K1 | 2 | | 1 | Nut, Hex Nyl Loc-Thin SS 1/4-20 |
| | 3 | | 2 | Nut, Hex Nyl Loc-Thin SS 3/8-16 |
| K1 | 4 | | 1 | Scr- Hex SS 1/4-20 X 1.25 |
| | 5 | | 2 | Wsh-Flt SAE SS 1/2 |
| | 6 | | 1 | Scr Hex 3/8-16 X 1.00 |
| | 7 | | | Intentionally Omitted |
| K1 | 8 | | 1 | Nut-Hex Jam SS 1/4-20 |
| K1 | 9 | | 2 | Ring, Ret Ext Type E 0.62 Dia |
| | 10 | | 1 | Scr- Hex SS 3/8-16 X 3.00 |
| | 11 | | 2 | Scr Hex S.S. 1/2-13 X 1.5 |
| | 12 | | 3 | Wsh-Flt .406x.750x.090 |
| | 13 | | 2 | Bearing, .719 X .625 X .375 |
| | 14 | | 1 | Bushing |
| | 15 | | 1 | Bushing |
| K1 | 16 | | 1 | Upr Rt Arm Assy |
| K1 | 17 | | 1 | Lwr Rt Arm Assy |
| | 18 | | 1 | Right Hinge Weldt |
| | 19 | | 1 | Right Hinge Weldt |
| | 20 | | 2 | Nut Hex Nyl Loc SS 1/2-13 |
| Service Kits | | | | |
| K1 | | 56382854 | 1 | Arm Assy Kit-Rt |

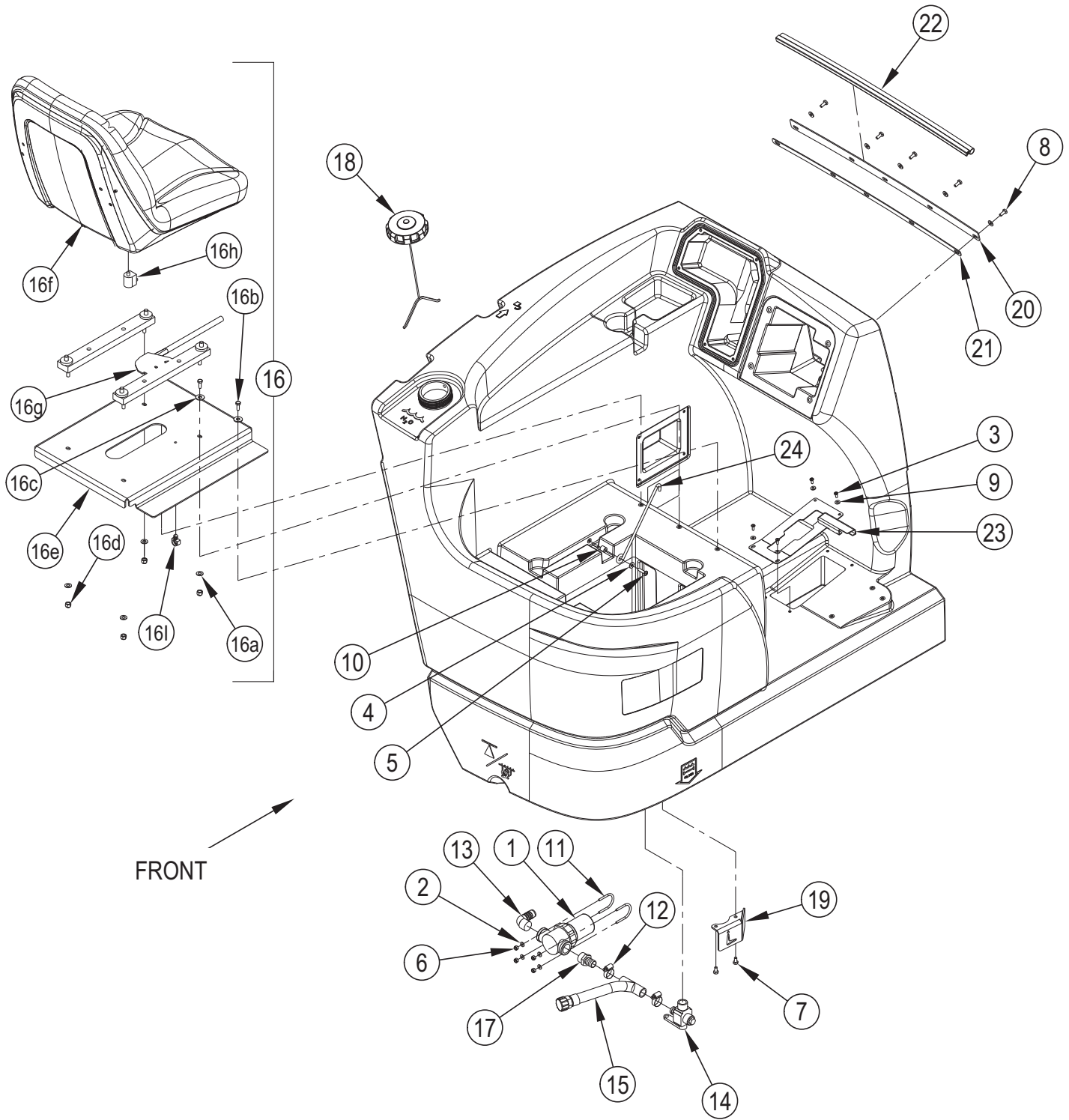
LEFT SIDE BROOM ARM ASSEMBLY



LEFT SIDE BROOM ARM ASSEMBLY

| Kit | Item | Ref. No. | Qty | Description |
|---------------------|------|----------|-----|---------------------------------|
| | | 56511196 | 1 | LT SB Arm Assy |
| | 1 | 56171123 | 1 | Spring, Compression |
| K1 | 2 | | 1 | Nut, Hex Nyl Loc-Thin SS 1/4-20 |
| | 3 | | 2 | Nut Hex Nyl Loc SS 1/2-13 |
| K1 | 4 | | 1 | Scr- Hex SS 1/4-20 X 1.25 |
| | 5 | | 2 | Wsh-Flt SAE SS 1/2 |
| | 6 | | 1 | Scr Hex 3/8-16 X 1.00 |
| | 7 | | | Intentionally Omitted |
| K1 | 8 | | 1 | Nut-Hex Jam SS 1/4-20 |
| K1 | 9 | | 2 | Ring, Ret Ext Type E 0.62 Dia |
| | 10 | | 1 | Scr- Hex SS 3/8-16 X 3.00 |
| | 11 | | 2 | Scr Hex S.S. 1/2-13 X 1.5 |
| | 12 | | 3 | Wsh-Flt .406x.750x.090 |
| | 13 | | 2 | Bearing, .719 X .625 X .375 |
| | 14 | | 1 | Bushing |
| | 15 | | 1 | Bushing |
| K1 | 16 | | 1 | Upr Lt Arm Assy |
| K1 | 17 | | 1 | Lwr Lt Arm Assy |
| | 18 | | 1 | Left Hinge Weldt |
| | 19 | | 1 | Left Hinge Weldt |
| | 20 | | 2 | Nut, Hex Nyl Loc-Thin SS 3/8-16 |
| Service Kits | | | | |
| K1 | | 56382855 | 1 | Arm Assy Kit-Lt |

SOLUTION SYSTEM-1

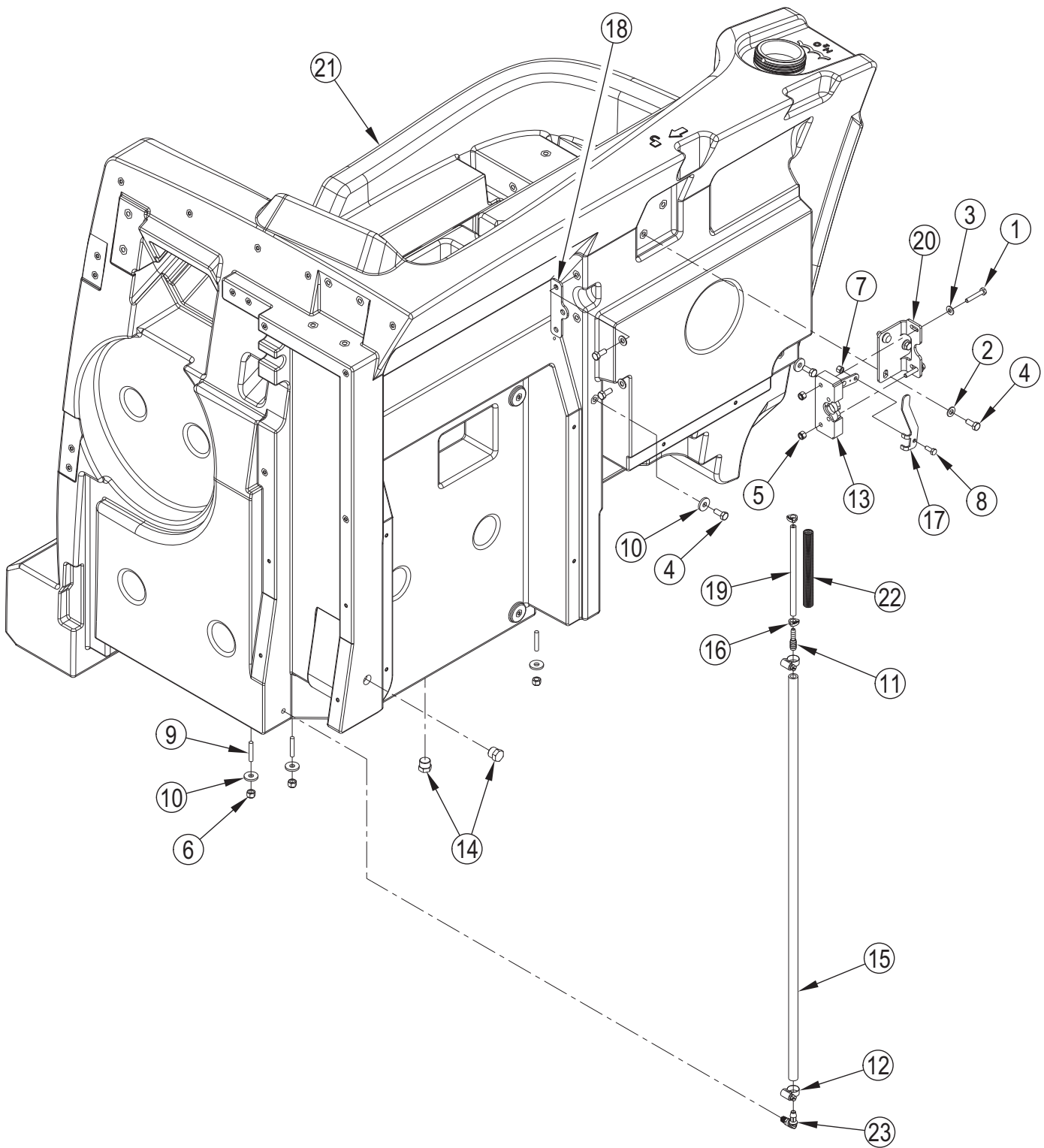


SOLUTION SYSTEM-1

| Kit | Item | Ref. No. | Qty | Description |
|---------------------|-------------|-----------------|------------|------------------------------|
| K1 | 1 | 56407162 | 1 | Filter |
| | [] | 56384157 | 1 | Gasket-Filter (for 56407162) |
| K1,K2 | 2 | | 4 | Wsh, Flt SAE #10 |
| K2 | 3 | | 4 | Scr Pan Phil SS 10-24 X .50 |
| K2 | 4 | | 6 | Wsh, Flt SAE 1/4 |
| K2 | 5 | | 1 | Scr-Pan Phil 1/4-20 X 1.00 |
| K1,K2 | 6 | | 4 | Nut, Hex Nyl Loc 10-24 |
| K1,K2 | 7 | | 2 | Scr- Hex SS 1/4-20 X .50 |
| K2 | 8 | | 5 | Scr, Hex Hd Loc 1/4-20x.62 |
| K2 | 9 | | 4 | Wsh Flt SAE SS 10 |
| | 10 | 56046309 | 1 | Spacer, Phenolic |
| K1 | 11 | 56110318 | 2 | U-Bolt 10-24 X R.69 |
| K1 | 12 | | 2 | Clamp- Hose SAE #10 |
| K1 | 13 | 56305545 | 1 | Barb, 90 Elbow 3/4 X 3/4 Npt |
| K1 | 14 | | 1 | Valve-Solution |
| K1 | 15 | 56383049 | 1 | Hose Assy |
| | 16 | 56509464 | 1 | Seat Assembly |
| | 16a | 56001939 | 4 | Wsh, Flt SAE 5/16 |
| | 16b | 56002922 | 3 | Scr Hex Loc 1/4-20 X .62 |
| | 16c | 56002098 | 3 | Wsh, Flt SAE 1/4 |
| | 16d | 56002701 | 4 | Nut, Hex Nyl Loc 5/16-18 |
| | 16e | 56509461 | 1 | Seat Mount Weldt |
| | 16f | 56383291 | 1 | Seat |
| | 16g | 7-72-05005 | 1 | Slide, Seat |
| | 16h | 7-82-00050 | 1 | Switch SW3 |
| | 16i | 56315382 | 1 | Clip Conduit |
| K1 | 17 | 56900292 | 1 | Barb, Adapter 3/4 X 3/4npt |
| | 18 | 56510442 | 1 | Cap-Extra Vent |
| K1 | 19 | | 1 | Shield-Valve |
| | 20 | 56510540 | 1 | Plate-Seal |
| | 21 | 56510542 | 1 | Plate-Spacer |
| | 22 | 56510590 | 1 | Bulb Seal |
| | 23 | 56511169 | 1 | Cover Weldt |
| | 24 | 56601215 | 1 | Prop Rod, Seat |
| Service Kits | | | | |
| K1 | 56383052 | | 1 | Filter Kit-Solution |
| K2 | 56511887 | | 1 | Hardware Kit-Solution System |

[] = Not Shown

SOLUTION SYSTEM-2



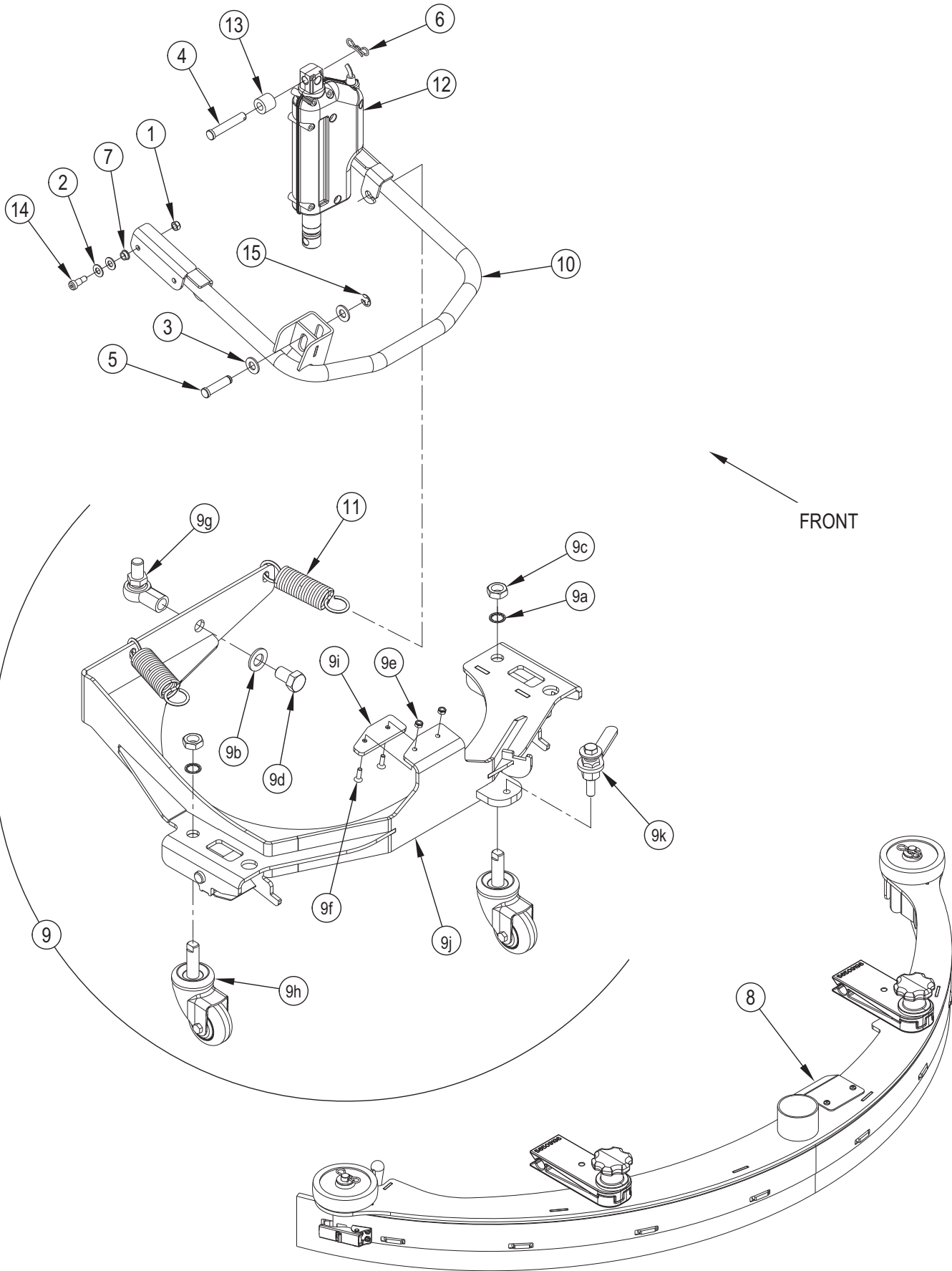
SOLUTION SYSTEM-2

| Kit | Item | Ref. No. | Qty | Description |
|------------|-------------|-----------------|------------|-----------------------------|
| K2,K3 | 1 | 56001833 | 2 | Scr-Hex 1/4-20 X 1.50 |
| K2,K3 | 2 | 56001939 | 5 | Wsh, Flt Sae 5/16 |
| | 3 | 56002098 | 2 | Wsh, Flt Sae 1/4 |
| K2,K3 | 4 | 56002667 | 7 | Scr-Hex 5/16-18 X .75 |
| K2,K3 | 5 | 56002708 | 2 | Nut, Hex Nyl Loc 1/4-20 |
| K2 | 6 | 56002856 | 3 | Nut-Hex Nyl Loc Ss 5/16-18 |
| | 7 | 56003426 | 1 | Nut, Hex Nyl Loc Ss M6-1 |
| K2,K3 | 8 | 56003431 | 1 | Scr-Hex Ss M6-1 X 16mm |
| K2 | 9 | 56003665 | 3 | Threaded Stud, Stainless |
| K2 | 10 | 56009122 | 5 | Wsh, Flt .344 X .938 X .125 |
| K3 | 11 | 56104312 | 1 | Reducer Barb |
| | 12 | 56219932 | 2 | Clamp- Hose Sae #6 |
| K3 | 13 | 56304827 | 1 | Latch, Rh |
| | 14 | 56305547 | 2 | Plug, 1/2 Hex Pipe |
| | 15 | 56317083 | 1 | Hose Polybraid |
| | 16 | 56384956 | 2 | Clamp-Hose |
| K3 | 17 | 56509362 | 1 | Handle-Recovery Latch |
| | 18 | 56509363 | 1 | Hook-Tether |
| | 19 | 56510659 | 1 | Tube-Tygon |
| K3 | 20 | 56511123 | 1 | Bracket-Latch Mount |
| | 21 | 56511578 | 1 | Tank-Solution |
| | 22 | 56511954 | 1 | Loom-Corrugated-1/2x6 |
| | 23 | 56511955 | 1 | Barb-90-Elbow-3/8x1/8 Npt |

Service Kits

| | | | |
|----|----------|---|------------------------------|
| K2 | 56511887 | 1 | Hardware Kit-Solution System |
| K3 | 56510594 | 1 | Latch Kit-Rec Tank |

SQUEEGEE SYSTEM

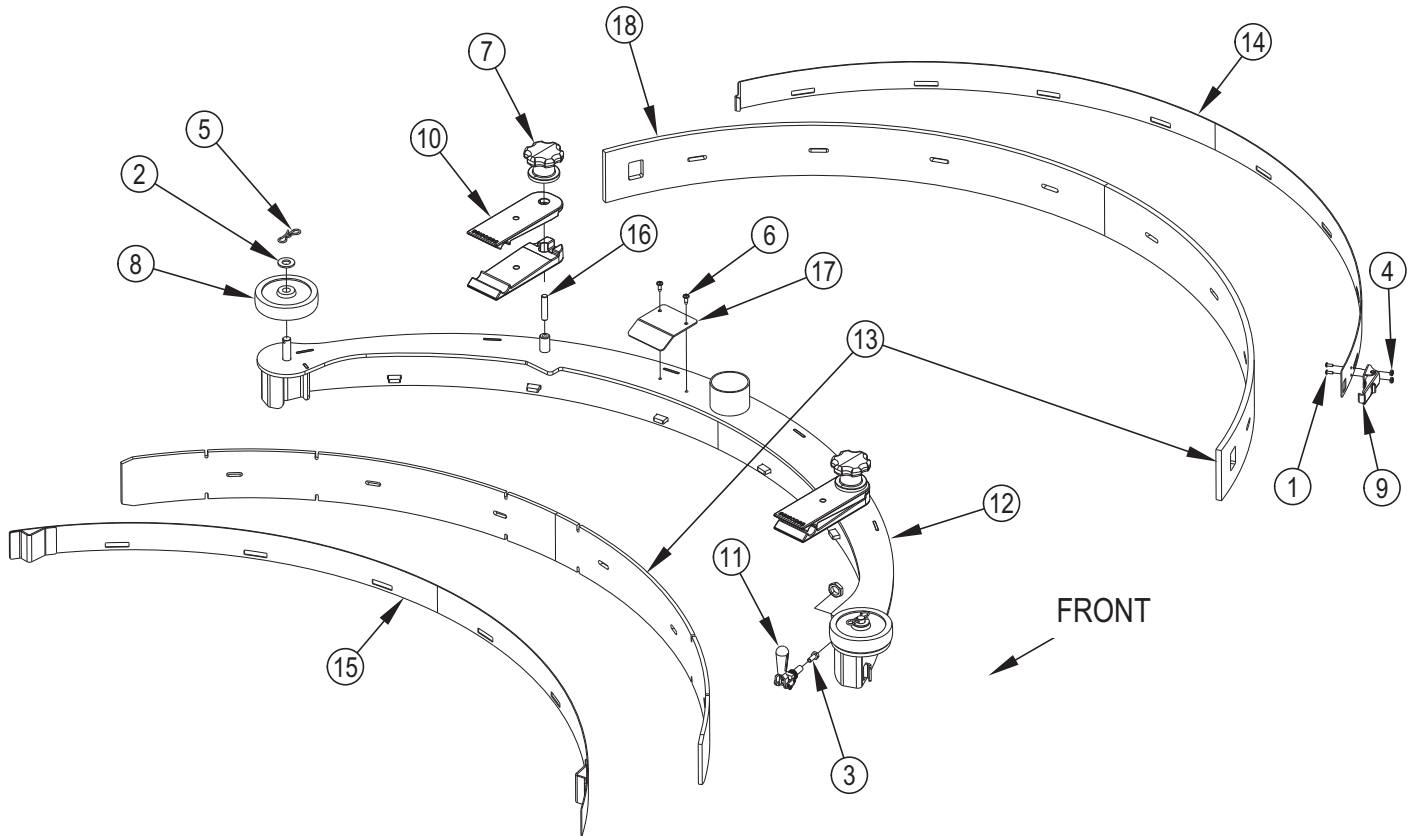


SQUEEGEE SYSTEM

| Kit | Item | Ref. No. | Qty | Description |
|---------------------|-------------|-----------------|------------|--|
| K1 | 1 | | 2 | Nut, Hex Nyl Loc-Thin SS 5/16-18 |
| K1 | 2 | | 4 | Wsh-Flt SAE SS 3/8 |
| K1,K2 | 3 | | 2 | Wsh-Flt SAE SS 1/2 |
| K2 | 4 | | 1 | Pin-Clevis .50 X 2.75 |
| K2 | 5 | | 1 | Pin-Clevis-Grooved-SS .5 x 2.00 |
| K2 | 6 | | 1 | Pin- Bow-Tie Cotter 7/16 - 1/2 |
| K1 | 7 | | 2 | Bearing, Flange |
| | 8# | 56511216 | 1 | Assembly-Squeegee Tool (includes Linatex Rubber Blades) (see pages 106-107) |
| | 9 | | 1 | Assembly-Squeegee Support |
| K1,K3 | 9a | | 2 | Washer, Int. Shake Pr |
| K1,K5 | 9b | | 1 | Wsh, Flt SAE 3/4 |
| K1,K3 | 9c | | | Nut Hex Jam 3/4-10 |
| K1,K5 | 9d | | 1 | Scr, Hex 3/4-16 X 1.25 Grade8 |
| K1,K4 | 9e | | 2 | Nut, Hex Nyl Loc-Thin SS 1/4-20 |
| K1,K4 | 9f | | 2 | Scr-Flt Phil SS 1/4-20 X .88 |
| K5 | 9g | | 1 | Rod End |
| K3 | 9h | | 2 | Caster-Squeegee |
| K4 | 9i | | 1 | Pad-Squeegee Lift |
| | 9j | 56511280 | 1 | Support Weldment |
| | 9k | 56510168 | 1 | Handle-Adjustment |
| | 10 | 56509241 | 1 | Arm-Squeegee Lift |
| | 11 | 56509246 | 2 | Spring-Extension |
| | 12 | 56511259 | 1 | Actuator-Lin-36v-89mm Stroke M16 |
| K2 | 13 | | 1 | Spacer-.510 X 1 X .88 |
| K1 | 14 | | 2 | 3/8 Shoulder Screw 1/2lg 5/16-18thrd |
| K2 | 15 | | 1 | Retaining Ring-E Style-SS .5 |
| Service Kits | | | | |
| K1 | 56511881 | | 1 | Hardware Kit-Squeegee Sys |
| K2 | 56510768 | | 1 | Hardware Kit-Squeegee Actuator |
| K3 | 56510817 | | 1 | Caster Kit-Squeegee |
| K4 | 56510828 | | 1 | Pad Kit-Squeegee Lift |
| K5 | 56510829 | | 1 | Rod End-Squeegee |

= Revised or new since last update

SQUEEGEE ASSEMBLY



SQUEEGEE ASSEMBLY

| Kit | Item | Ref. No. | Qty | Description |
|---------------------|-------------|-----------------|------------|---------------------------------------|
| | | 56511216 | 1 | Assembly-Squeegee Tool |
| K1,K3 | 1 | | 2 | Scr-Pan Phil SS 6-32 X .38 |
| K4 | 2 | | 2 | Wsh-Flt SAE SS 1/2 |
| K1,K5 | 3 | | 1 | Scr-Hex Loc SS 1/4-20 X .62 |
| K1,K3 | 4 | | 2 | Nut-Hex Nyl Loc-Thin SS 6-32 |
| K1,K3,K45 | | | 2 | Pin-Bow-Tie Cotter 7/16 - 1/2 |
| K1,K5 | 6 | | 2 | Scr Pan Phil Loc Ss 10-24 X .50 |
| | 7 | 56109704 | 2 | Knob-Squeegee |
| K4 | 8 | 56111639 | 2 | Wheel |
| K3 | 9 | | 1 | Latch Assembly |
| K2 | 10 | | 4 | Clip-Squeegee |
| | 11 | 56509203 | 1 | Clamp-Push Pull |
| | 12 | | 1 | Squeegee Weldment NOTE 2 |
| | 13# | 56510371 | 1 | Blade Kit-Sqgee-Linatex NOTE 1 |
| | 14 | 56509219 | 1 | Strap-Squeegee |
| | 15 | 56509220 | 1 | Strap-Weldment |
| | 16 | 56510151 | 2 | Stud - 3/8-16x1.75 |
| | 17 | 56510153 | 1 | Plate-Adjustment |
| | 18# | 56509213 | 1 | Blade-Sq Rear-Linatex NOTE 3 |
| | | 56510378 | 1 | Blade-Sq-Rear-Gum NOTE 3 |
| | | 56510380 | 1 | Blade-Sq-Rear-Pu NOTE 3 |
| Squeegee Blade Kits | | | | |
| | # | 56510371 | 1 | Blade Kit-Sqgee-Linatex NOTE 1 |
| | * | 56510372 | 1 | Blade Kit-Squeegee Gum NOTE 1 |
| | * | 56510373 | 1 | Blade Kit-Squeegee PU NOTE 1 |
| Service Kits | | | | |
| | K1 | 56511881 | 1 | Hardware Kit-Squeegee Sys |
| | K2 | 56510830 | 1 | Clip Kit-Squeegee |
| | K3 | 56510831 | 1 | Latch Kit-Squeegee |
| | K4 | 56510832 | 1 | Wheel Kit-Squeegee |
| | K5 | 56510833 | 1 | Hardware Kit-Squeegee Tool |

* = Optional, Not Included

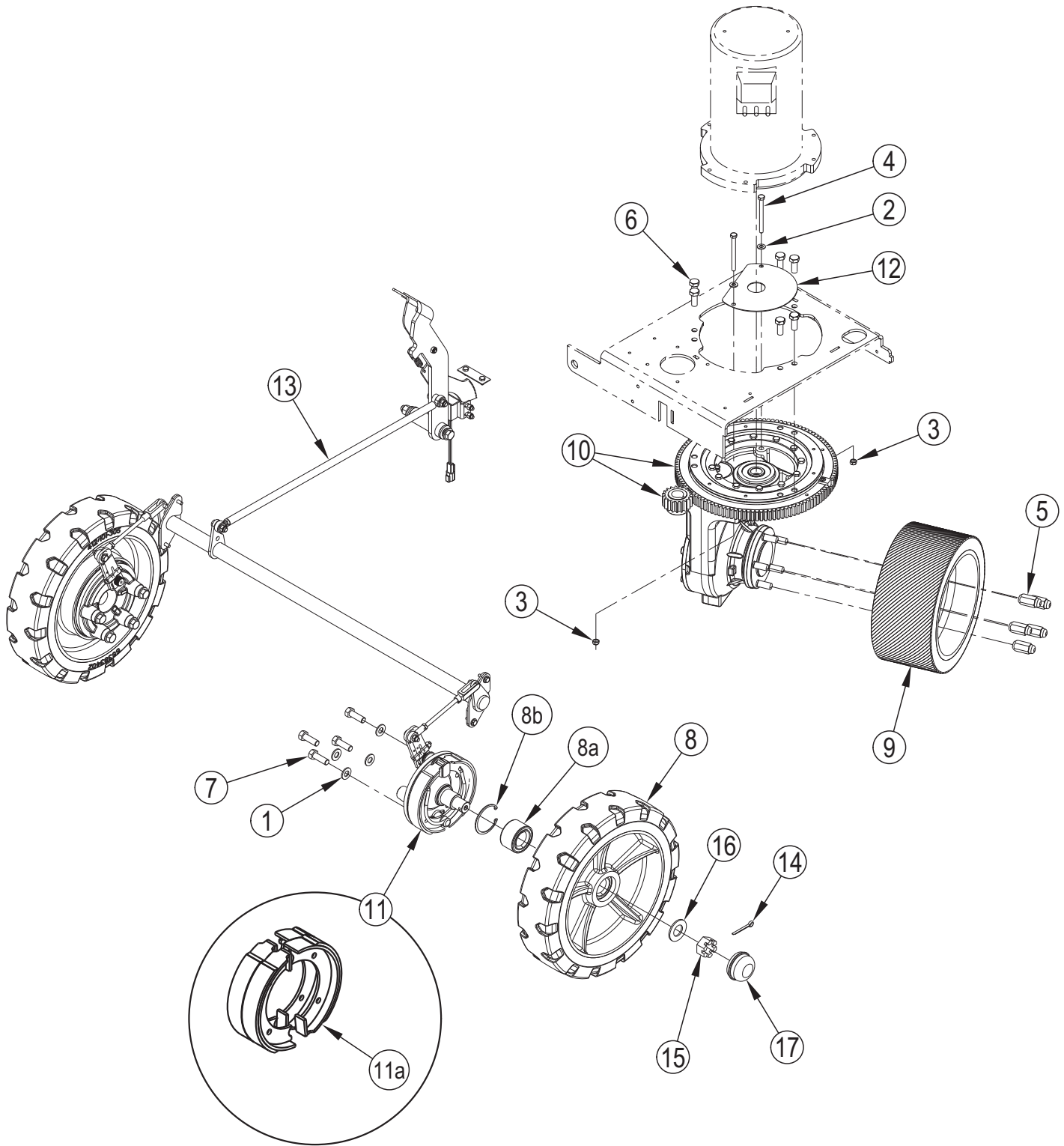
= Revised or new since last update

NOTE 1: All squeegee blade kits include both front and rear squeegee blades.

NOTE 2: The squeegee weldment is not available for sale separately. If you need to replace it please order the entire squeegee assembly 56511216.

NOTE 3: If you need to replace the rear squeegee blades, they are available for sale separately.

WHEEL SYSTEM



WHEEL SYSTEM

| Kit | Item | Ref. No. | Qty | Description |
|-------|------|------------|-----|---|
| K1 | 1 | | 8 | Wsh-Flt Sae 1/2 |
| K1,K4 | 2 | | 2 | Wsh, Flt Sae 5/16 |
| K1,K4 | 3 | | 2 | Nut, Hex Nyl Loc-Thin 5/16-18 |
| K1,K4 | 4 | | 2 | Scr-Hex 5/16-18 X 3.50 |
| K1,K3 | 5 | | 5 | Nut Lug M14x1.5 |
| K1 | 6 | | 6 | Scr, Hex Loc M12-1.75 X 30mm |
| K1 | 7 | | 8 | Scr, Hex Loc 1/2-20 X 1.50 Grade 8 |
| | 8 | 56383402 | 2 | Wheel-Mold-On 16.2x4 |
| | 8a | 56509532 | 1 | Bearing-Wheel (for 56383402) |
| | 8b | 56509533 | 1 | Ring-Snap (for 56383402) |
| | 9 | 56509157 | 1 | Wheel-Drive 310x140 |
| K2 | 10 | 56509195 | 1 | Gearbox-Traction Drive |
| | 11 | 56509664 | 2 | Brake & Spindle Assembly |
| K4 | 12 | | 1 | Shield-Splash |
| | 13# | | 1 | Brake Linkage Assy (see pages 110-111) |
| | 13a | 56510762 | 1 | Brake Shoe Kit (for 56509664 contains 4 brake shoes) |
| | 14 | 2-00-02436 | 2 | Pin, Cotter |
| | 15 | 2-00-05026 | 2 | 1" X 14 Slotted Nut |
| | 16 | 56004012 | 2 | Washer, Spacer |
| | 17 | 8-11-00030 | 2 | Grease Cap |

Service Kits

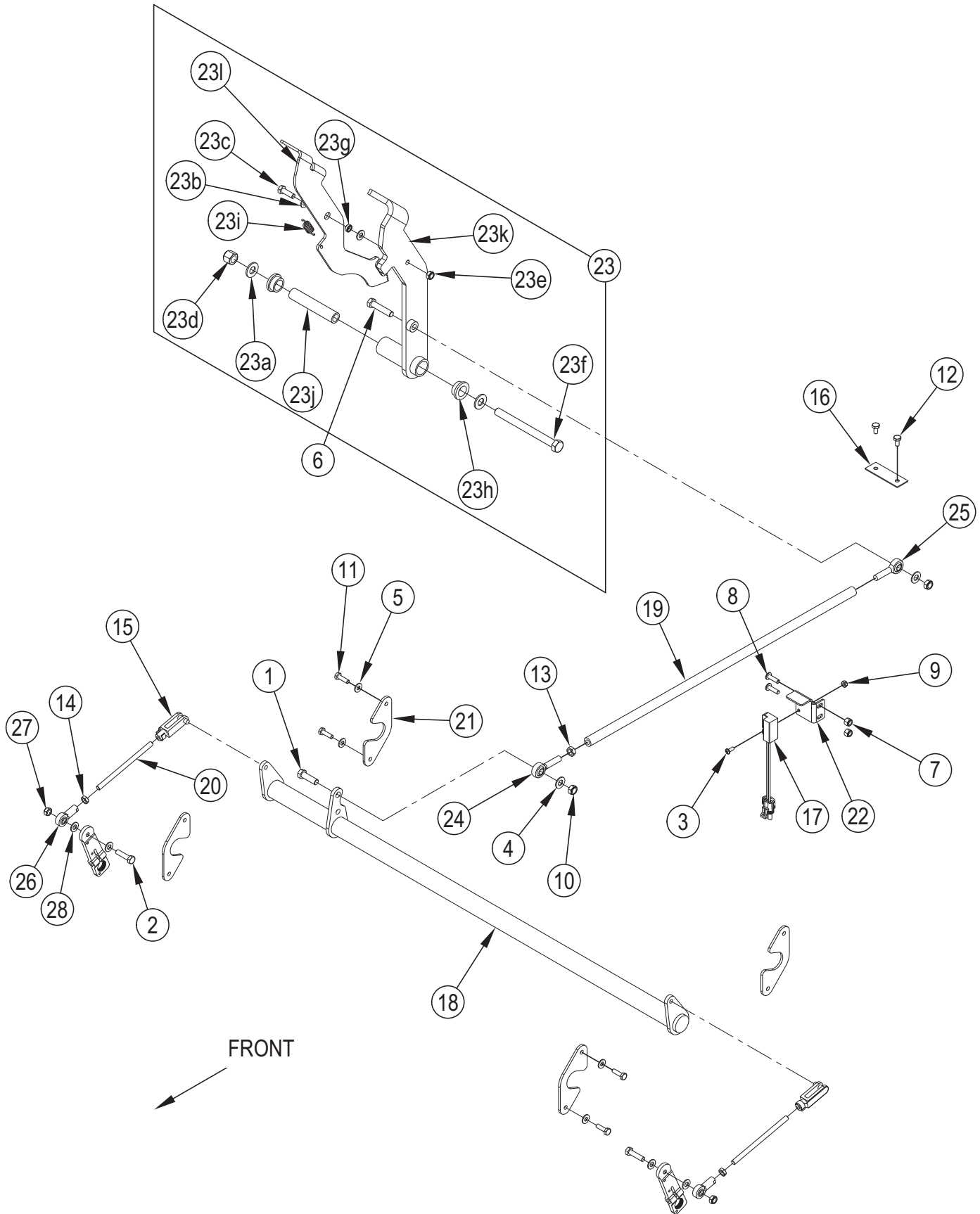
| | | | |
|----|----------|---|---|
| K1 | 56511880 | 1 | Hardware kit-Wheel System |
| K2 | 56510825 | 1 | Ring/Pinion Gear Kit-Steering (for 56509195) |
| K3 | 56510738 | 1 | Lug Nut Kit |
| K4 | 56510737 | 1 | Motor Kit-Drive |

[] = Not Shown

* = Optional, Not Included

= Revised or new since last update

WHEEL SYSTEM-BRAKE LINKAGE ASSEMBLY



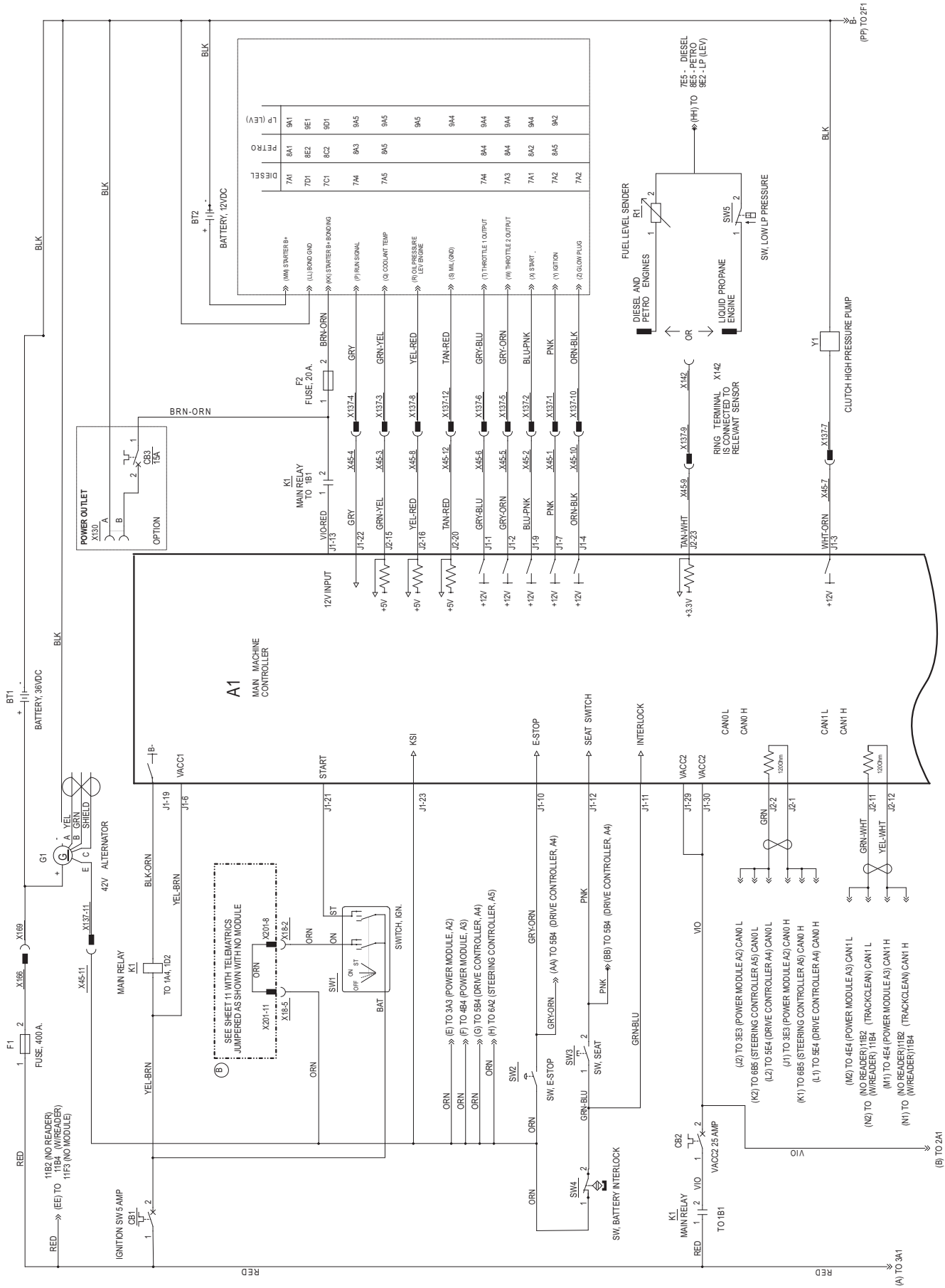
WHEEL SYSTEM-BRAKE LINKAGE ASSEMBLY

| Kit | Item | Ref. No. | Qty | Description |
|-------|------|------------|-----|--------------------------------|
| K2 | 1 | | 1 | Scr. Hex 3/8-16 X 1.25 |
| K2 | 2 | | 2 | Scr Hex 5/16-18 X 1.25 |
| K2 | 3 | | 1 | Scr-Pan Phil 10-24 X .50 |
| K1,K2 | 4 | | 2 | Wsh, Flt SAE 3/8 |
| K2 | 5 | | 4 | Wsh, Flt SAE 1/4 |
| K1,K2 | 6 | | 1 | Scr. Hex 3/8-16 X 1.75 |
| K2 | 7 | | 2 | Nut, Hex Nyl Loc 1/4-20 |
| K2 | 8 | | 2 | Scr-Pan Phil 1/4-20 X .88 |
| K2 | 9 | | 1 | Nut, Hex Nyl Loc-Thin 10-24 |
| K1,K2 | 10 | | 2 | Nut, Hex Nyl Loc-Thin 3/8-16 |
| K2 | 11 | | 4 | Scr,Hex Hd Loc 1/4-20x.88 |
| K1,K2 | 12 | | 2 | Scr, Hex Thd Form 1/4-20 X .50 |
| K2 | 13 | | 1 | Nut, Hex Jam 3/8-24 |
| K2 | 14 | | 2 | Nut Hex Jam 5/16-24 |
| | 15 | 56416089 | 2 | Clevis Assembly |
| K1 | 16 | 56304543 | 1 | Catch, Brake Lock |
| | 17 | 56511830 | 1 | Sensor-Proximity SW9 |
| | 18 | 56509365 | 1 | Weldt-Brake Bar |
| | 19 | 56509368 | 1 | Rod-Brake |
| | 20 | 56509369 | 2 | Rod-Brake |
| | 21 | 56509370 | 4 | Pivot-Brake |
| | 22 | 56511139 | 1 | Bracket-Switch Mount |
| K1 | 23 | | 1 | Brake Pedal Assy |
| K1 | 23a | | 2 | Wsh-Flt SAE 1/2 |
| K1 | 23b | | 2 | Wsh, Flt SAE 5/16 |
| K1 | 23c | | 1 | Scr. Hex 5/16-18 X 1.00 |
| K1 | 23d | | 1 | Nut-Hex Nyl Loc 1/2-13 |
| K1 | 23e | | 1 | Nut, Hex Nyl Loc-Thin 5/16-18 |
| K1 | 23f | | 1 | Scr. Hex 1/2-13 X 5.50 |
| K1 | 23g | | 1 | Bushing .323 X .500 X .180 |
| K1 | 23h | | 2 | Bearing, FI 1.000x.750x.500 |
| K1 | 23i | | 1 | Spring, Extension |
| K1 | 23j | | 1 | Bushing-.520 X .750 X 3.995 |
| K1 | 23k | | 1 | Brake Pedal Weldt |
| K1 | 23l | | 1 | Pedal-Park Brake |
| | 24 | 2-00-06016 | 1 | Rod End, 3/8-24 Rh |
| | 25 | 2-00-06017 | 1 | Rod End, 3/8-24 Left Hand |
| | 26 | 56418478 | 2 | Rod End .31 |
| K2 | 27 | | 2 | Nut Hex Nyl Loc-Thin 5/16-18 |
| K2 | 28 | | 4 | Wsh Flt SAE 5/16 |

Service Kits

| | | | |
|----|----------|---|----------------------------|
| K1 | 56510786 | 1 | Brake Pedal Kit |
| K2 | 56510785 | 1 | Hardware Kit-Brake Linkage |

LADDER DIAGRAM-1



LADDER DIAGRAM-1

| Kit | Item | Ref. No. | Qty | Description |
|------------|-------------|-----------------|------------|--|
| | A1 | 56511588 | 1 | <u>MAIN CONTROLER</u> |
| | BT1 | NA | 1 | Battery 36V 770 Amp HR NOTE 1 |
| | | NA | 1 | Battery 36V NOTE 2 |
| | BT2 | 56380449 | 1 | Battery 12V Wet NOTE 1 |
| | CB1 | 56315255 | 1 | Circuit Breaker-5 Amp (Battery) |
| | CB2 | 56509623 | 1 | Circuit Breaker-25 Amp (VACC2) |
| | CB3 | 56509623 | 1 | Circuit Breaker-15 Amp (Power Outlet 12V) |
| | F1 | 56303297 | 1 | Fuse, 400 Amp (Main Fuse) |
| | F2 | 287020 | 1 | Fuse, 20 Amp (12V from Starter) |
| | G1 | 56511663 | 1 | Alternator 42 Vdc, 310 A (System power) |
| | K1 | 40892A | 1 | Main Relay |
| | M25 | 56511864 | 1 | Pump, Fuel (for Gasoline engine) |
| | R1 | 56511257 | 1 | Fuel Level Sender (Gasoline and Diesel fuel level) |
| | SW1 | 56111109 | 1 | Switch Assembly, Key (Ignition Switch) |
| | SW2 | 56104247 | 1 | Disconnect, Emergency (Emergency Stop) |
| | SW3 | 7-82-00050 | 1 | Switch-Seat |
| | SW4 | 56511830 | 1 | Switch-Battery Interlock (Battery Interlock) |
| | SW5# | 56418381 | 1 | Switch-N.C. Pressure (Signals low/empty LPG tank) |
| | Y1 | NA | 1 | Clutch-High Pressure Pump (part of High Pressure Pump Assy 56509812 / Optional) |

= Revised or new since last update

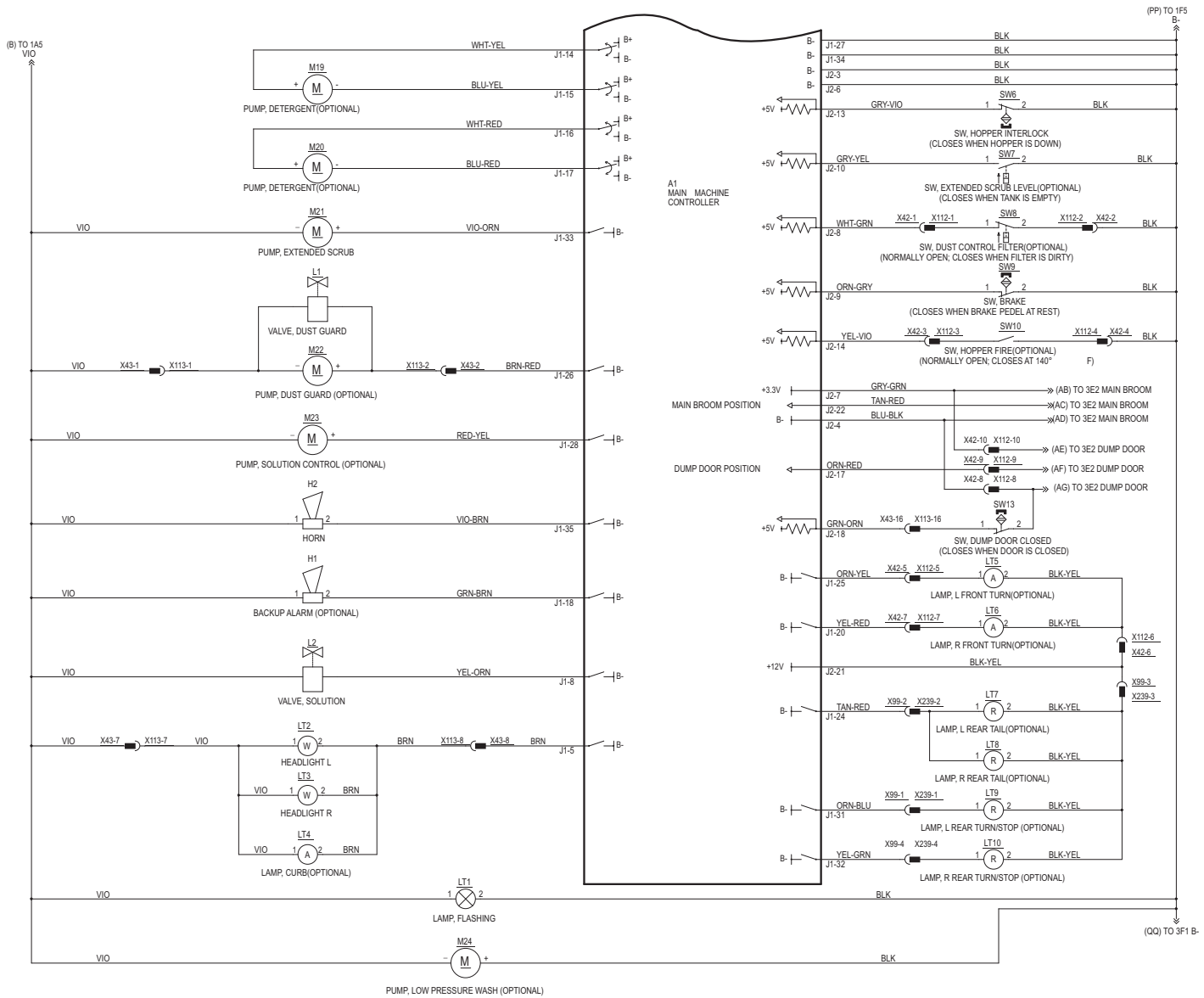
NOTE 1: These items are only used on LPG and diesel models.

NOTE 2: Only used on battery models.

Color Codes

| | |
|------|--------|
| BLK | Black |
| BLU | Blue |
| BRN | Brown |
| GRA | Gray |
| GRN | Green |
| ORN | Orange |
| PINK | Pink |
| RED | Red |
| TAN | Tan |
| VIO | Violet |
| WHT | White |
| YEL | Yellow |

LADDER DIAGRAM-2



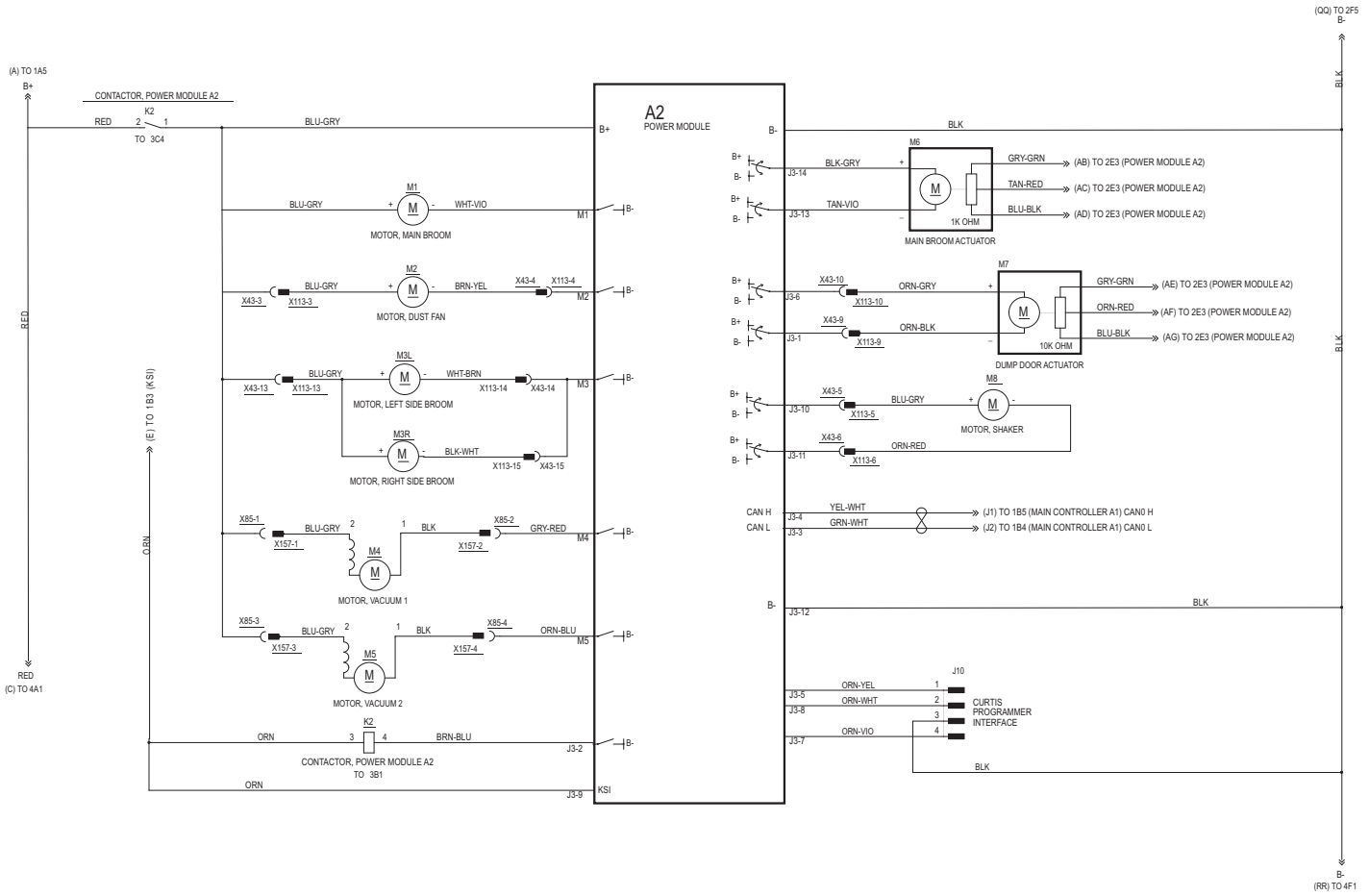
LADDER DIAGRAM-2

| Kit | Item | Ref. No. | Qty | Description |
|------------|-------------|-----------------|------------|--|
| | A1 | 56511588 | 1 | Main Controler |
| | H1 | 56409232 | 1 | Backup Alarm |
| | H2 | 56482365 | 1 | Horn 36V |
| | L1 | 56397216 | 1 | Solenoid Valve Assy (Dust Guard / Optional) |
| | L2 | 56384490 | 1 | Valve, 36V Solenoid (Solution) |
| | LT1 | 56510893 | 1 | Beacon, Warning (Optional) |
| | LT2 | 56383032 | 1 | Light Assy (Left) |
| | LT3 | 56383032 | 1 | Light Assy (Right) |
| | LT4 | | 1 | Curb Light (Optional) |
| | LT5 | 56509559 | 1 | Light-Turn Signal (Left Front / Optional) |
| | LT6 | 56509559 | 1 | Light-Turn Signal (Right Front / Optional) |
| | LT7 | 56510280 | 1 | Left Tail Light (Optional) |
| | LT8 | 56510280 | 1 | Right Tail Light (Optional) |
| | LT9 | 56511857 | 1 | Light Red (Left Rear Turn Signal / Optional) |
| | LT10 | 56511857 | 1 | Light Red (Right Rear Turn Signal / Optional) |
| | M19 | 56110742 | 1 | Pump Detergent 12V (EcoFlex / Optional) |
| | M20 | 56110742 | 1 | Pump Detergent 12V (EcoFlex / Optional) |
| | M21 | 56511834 | 1 | Pump 36V (Extended Scrub Pump) |
| | M22 | 56116767 | 1 | Pump-36vdc (Dust Guard / Optional) |
| | M23 | 56511834 | 1 | Pump 36V(EcoFlex / Optional) |
| | M24 | 56511835 | 1 | Pump Assy (Spray Wand Kit / Optional) |
| | SW6 | 56511830 | 1 | Sensor-Proximity (Hopper Interlock) |
| | SW7 | 56509932 | 1 | Switch-Extended Scrub Level (Optional) |
| | SW8 | 56509761 | 1 | Switch-Vacuum (Plugged Filter Kit / Optional) |
| | SW9 | 56511830 | 1 | Sensor-Proximity (Brake Switch) |
| | SW10 | 56418405 | 1 | Switch-Temperature (Hopper Temp Sensor Kit) |
| | SW13 | 56511830 | 1 | Sensor, Proximity (Switch, Dump Door Closed) |

Color Codes

| | |
|------|--------|
| BLK | Black |
| BLU | Blue |
| BRN | Brown |
| GRA | Gray |
| GRN | Green |
| ORN | Orange |
| PINK | Pink |
| RED | Red |
| TAN | Tan |
| VIO | Violet |
| WHT | White |
| YEL | Yellow |

LADDER DIAGRAM-3



LADDER DIAGRAM-3

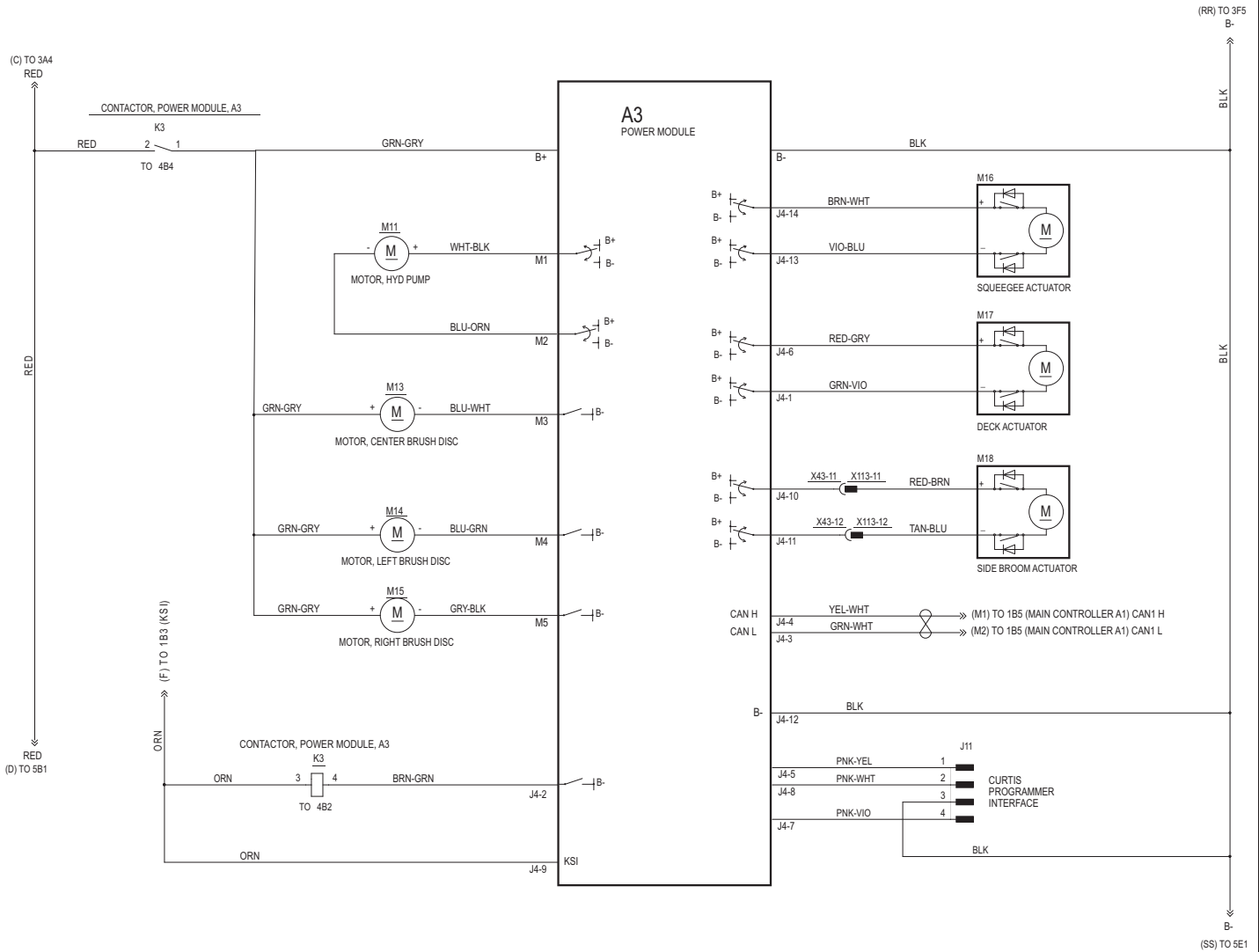
| Kit | Item | Ref. No. | Qty | Description |
|------------|-------------|-----------------|------------|--|
| | A2 | 56511622 | 1 | Power Module |
| | J10 | NA | 1 | Curtis Programmer Interface |
| | K2 | 56395453 | 1 | Contactor 36V (Power Module A2) |
| | M1 | 56510740 | 1 | Motor Kit-Broom |
| | [] | 56422152 | 1 | Motor Brush Kit (for 56510740) |
| | M2 | 33015359 | 1 | Vac Fan 36v (Dust control System) |
| | M3R | 56384565 | 1 | Motor-42vdc-115rpm-0.4hp-Right |
| | [] | 56384521 | 1 | Sidebroom Motor Brush Kit (for 56384565 & 56384564) |
| | M3L | 56384564 | 1 | Motor-42vdc-115rpm-0.4hp-Left |
| | [] | 56384521 | 1 | Sidebroom Motor Brush Kit (for 56384565 & 56384564) |
| | M4 | 56511400 | 1 | Vac Motor Assy (Solution recovery) |
| | M5 | 56511400 | 1 | Vac Motor Assy (Solution recovery) |
| | M6 | 56511260 | 1 | Actuator-Lin-36v-51mm Stroke (Main Broom Actuator) |
| | M7 | 56511759 | 1 | Actuator-36v (Dump Door Actuator Motor) |
| | M8 | 56511366 | 1 | Motor-36vdc-Filter Shaker (Shaker Motor) |

[] = Not Shown

Color Codes

| | |
|------|--------|
| BLK | Black |
| BLU | Blue |
| BRN | Brown |
| GRA | Gray |
| GRN | Green |
| ORN | Orange |
| PINK | Pink |
| RED | Red |
| TAN | Tan |
| VIO | Violet |
| WHT | White |
| YEL | Yellow |

LADDER DIAGRAM-4



LADDER DIAGRAM-4

| <u>Kit</u> | <u>Item</u> | <u>Ref. No.</u> | <u>Qty</u> | <u>Description</u> |
|------------|-------------|-----------------|------------|---|
| | A3 | 56511622 | 1 | Power Module |
| | J11 | NA | 1 | Curtis Programmer Interface |
| | K3 | 56395453 | 1 | Contactora 36V (Power Module A3) |
| | M11 | 56511831 | 1 | Motor-36v-3669rpm-0.55hp (Hydraulic Pump Motor) |
| | M13 | 56511937 | 1 | Gearmotor Assy-Center M13 / M14 |
| | [] | 56422152 | 1 | Brush Kit (for 56511937 Amer Scrub Motor Assembly) |
| | [] | 56510763 | 1 | Brush Kit-Motor (For Imperial Scrub motor Assembly) NOTE 1 |
| | M14 | 56511935 | 1 | Gearmotor Assy-Left M13 / M14 |
| | [] | 56422152 | 1 | Brush Kit (for 56511935 Amer Scrub Motor Assembly) |
| | [] | 56510763 | 1 | Brush Kit-Motor (For Imperial Scrub motor Assembly) NOTE 1 |
| | M15 | 56511936 | 1 | Gearmotor Assy-Right M15 |
| | [] | 56422152 | 1 | Brush Kit (for 56511936 Amer Scrub Motor Assembly) |
| | [] | 56510763 | 1 | Brush Kit-Motor (For Imperial Scrub motor Assembly) NOTE 1 |
| | M16 | 56511259 | 1 | Actuator-Lin-36v-89mm Stroke (Squeegee Actuator) |
| | M17 | 56511263 | 1 | Actuator-Lin-36v-152 Mm Stroke (Scrub Deck Actuator) |
| | M18 | 56116781 | 1 | Actuator-Squeegee (Side Broom Actuator) |

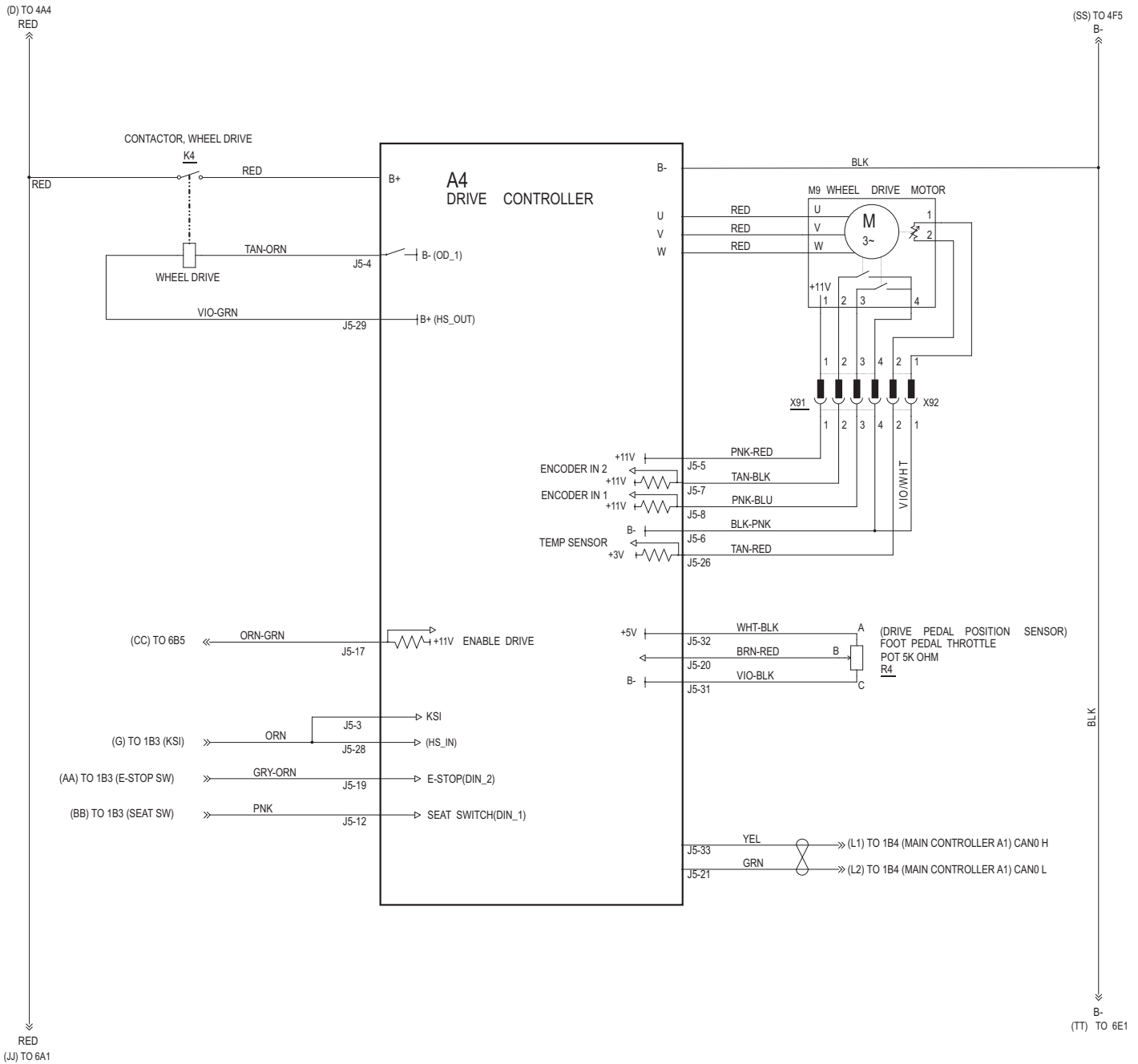
[] = Not Shown

NOTE 1: Machines with Imperial Scrub Motor Assemblies require Brush Motor Kits 56510763.
See Detail 1 on **SCRUBBING SYSTEM-2** to identify the style of motor that requires this Brush Kit.

Color Codes

| | |
|------|--------|
| BLK | Black |
| BLU | Blue |
| BRN | Brown |
| GRA | Gray |
| GRN | Green |
| ORN | Orange |
| PINK | Pink |
| RED | Red |
| TAN | Tan |
| VIO | Violet |
| WHT | White |
| YEL | Yellow |

LADDER DIAGRAM-5



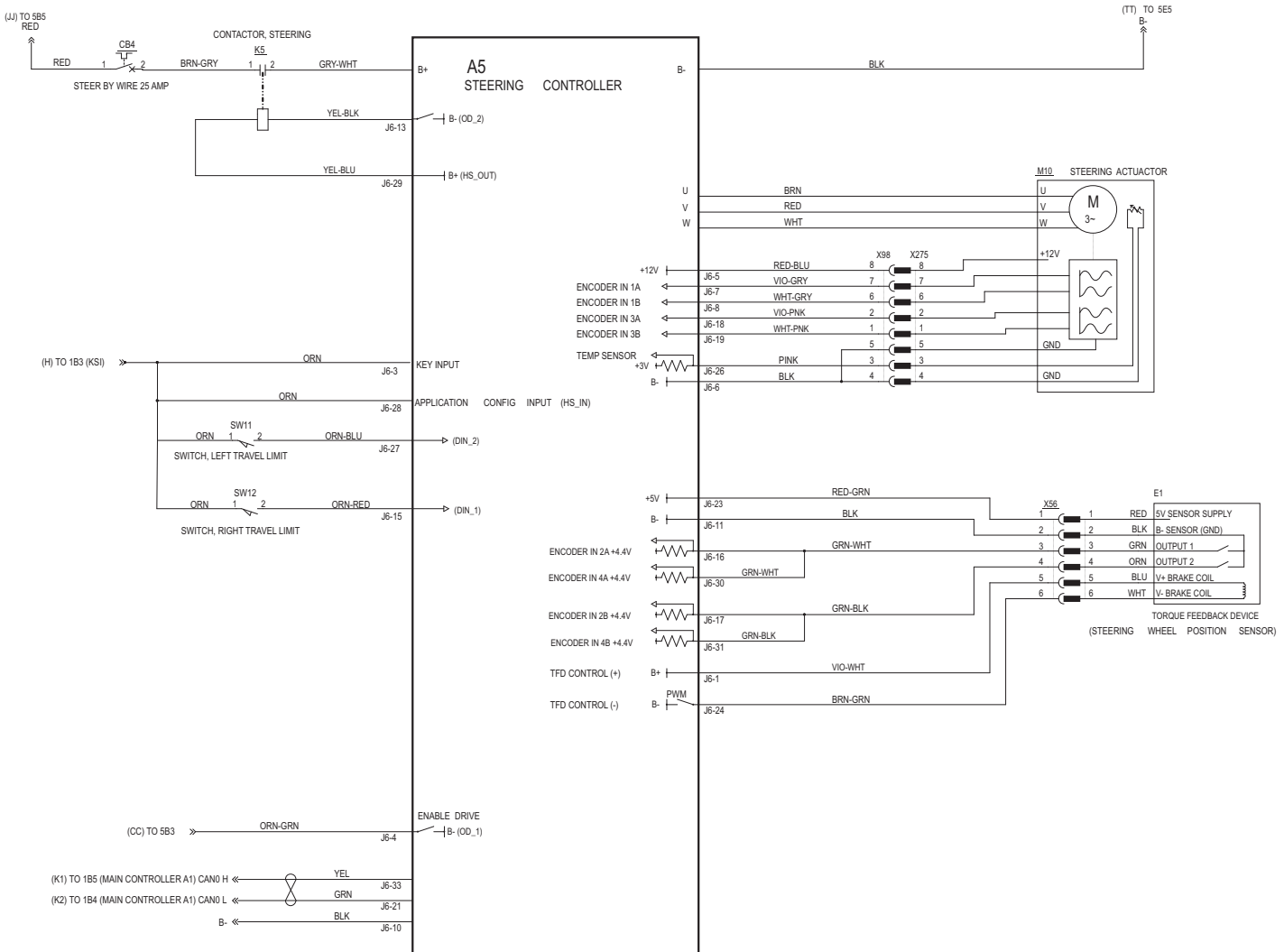
LADDER DIAGRAM-5

| Kit | Item | Ref. No. | Qty | Description |
|------------|-------------|-----------------|------------|---|
| | A4 | 56511698 | 1 | Controller, Motor Speed (Drive Controller) |
| | K4 | 56395453 | 1 | CONTACTOR, 36V (Drive Contactor) |
| | M9 | 56509168 | 1 | Motor, Traction – Ac (Motor, Wheel Drive) |
| | R4 | 56601052 | 1 | Foot Pedal Assy (Traction throttle) |

Color Codes

| | |
|------|--------|
| BLK | Black |
| BLU | Blue |
| BRN | Brown |
| GRA | Gray |
| GRN | Green |
| ORN | Orange |
| PINK | Pink |
| RED | Red |
| TAN | Tan |
| VIO | Violet |
| WHT | White |
| YEL | Yellow |

LADDER DIAGRAM-6

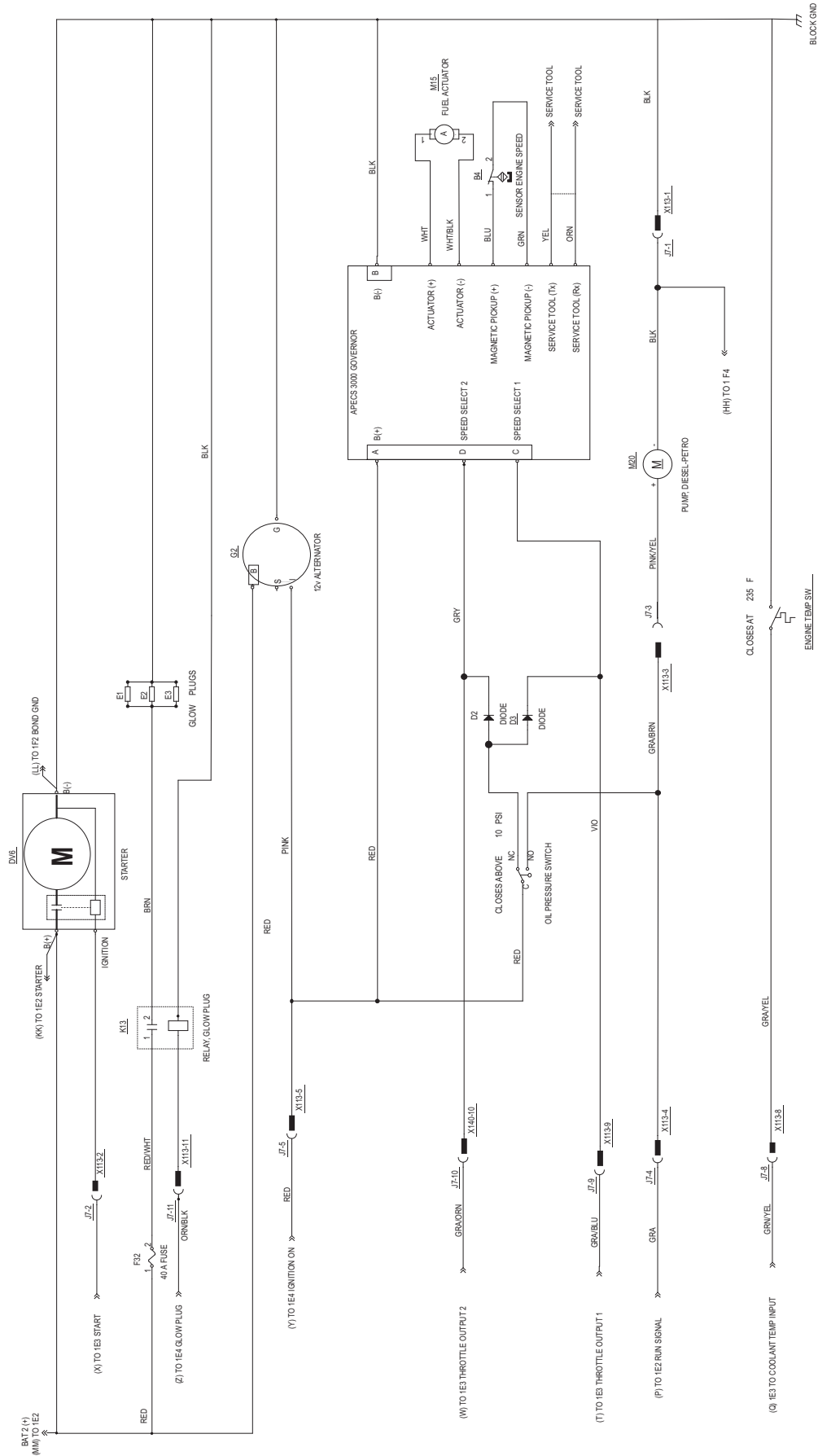


LADDER DIAGRAM-6

| Kit | Item | Ref. No. | Qty | Description |
|------------|-------------|-----------------|------------|--|
| | A5 | 56511598 | 1 | Controller-Steering Motor (Steering Controller) |
| | CB4 | 56315255 | 1 | Circuit Breaker-25 Amp (Steering CB) |
| | E1 | 56511615 | 1 | Torque Feedback Device (Steering Wheel Sensor) |
| | K5 | 40892A | 1 | Relay (Steering Relay) |
| | M10 | 56511657 | 1 | Motor-Steering (Steer Actuator) |
| | SW11 | 56511830 | 1 | Sensor, Proximity (Switch, Left Travel Limit) |
| | SW12 | 56511830 | 1 | Sensor, Proximity (Switch, Right Travel Limit) |

KUBOTA DIESEL ENGINE SYSTEM

LADDER DIAGRAM-KUBOTA DIESEL ENGINE SYSTEM



LADDER DIAGRAM-KUBOTA DIESEL ENGINE SYSTEM

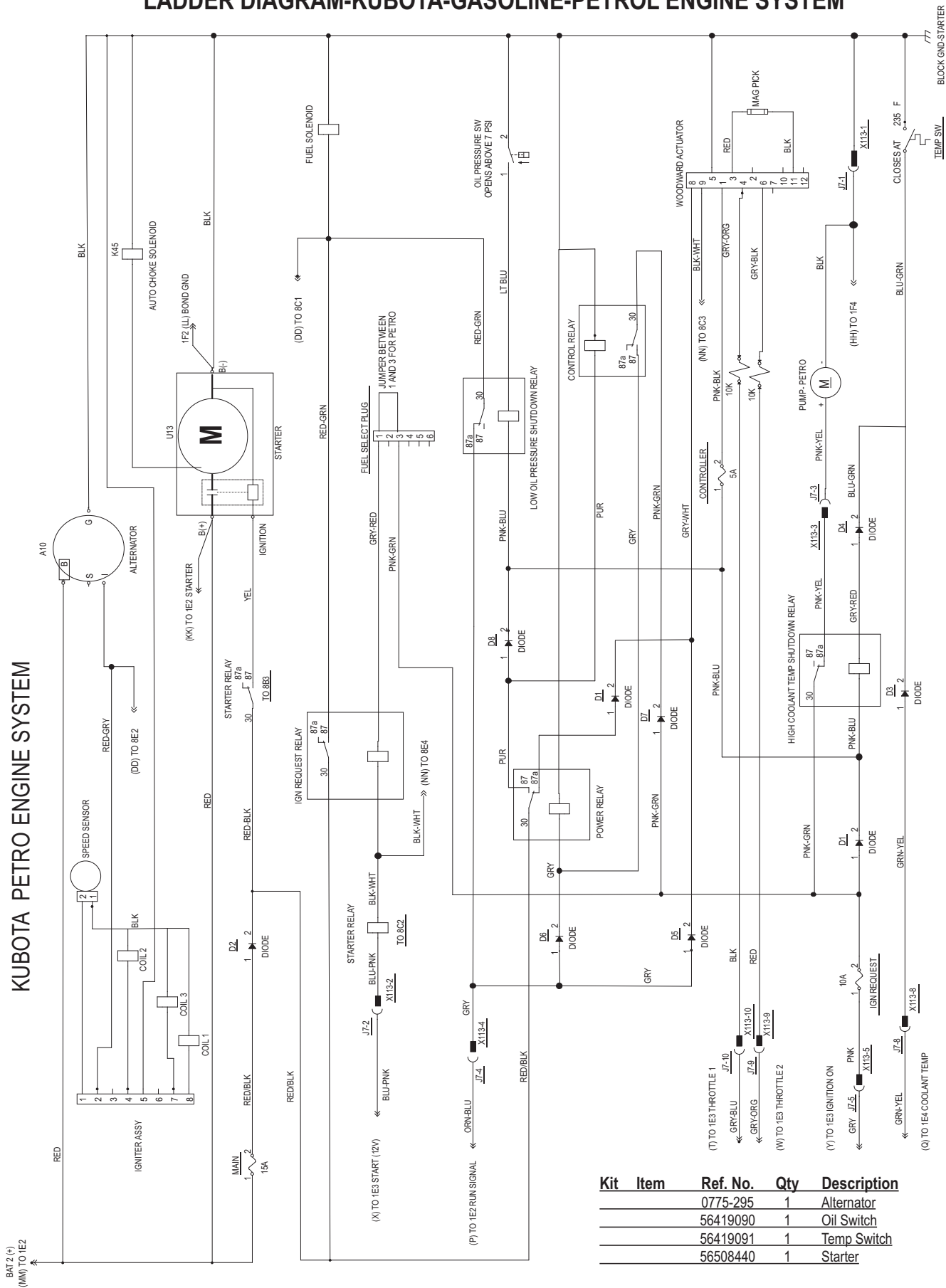
| <u>Kit</u> | <u>Item</u> | <u>Ref. No.</u> | <u>Qty</u> | <u>Description</u> |
|------------|-------------|-----------------|------------|---|
| | B4 | NA | 1 | Magnetic Pick-Up (part of Apecs 3000 Governor 56510350) |
| | DV6 | 56419089 | 1 | Starter |
| | E1 | NA | 1 | Glow Plug |
| | E2 | NA | 1 | Glow Plug |
| | E3 | NA | 1 | Glow Plug |
| | G2 | 56510385 | 1 | Alternator |
| | K13 | 56110423 | 1 | Relay-SPST 12V 75A |
| | | 56510350 | 1 | Apecs 3000 Governor |
| | M15 | NA | 1 | Actuator (part of Apecs 3000 Governor 56510350) |
| | M20 | 56508355 | 1 | Fuel Pump |
| | S18 | 56419091 | 1 | Switch-Coolant Temp |
| | S19 | 56508444 | 1 | Switch-Oil Pressure |

Color Codes

| | |
|------|--------|
| BLK | Black |
| BLU | Blue |
| BRN | Brown |
| GRA | Gray |
| GRN | Green |
| ORN | Orange |
| PINK | Pink |
| RED | Red |
| TAN | Tan |
| VIO | Violet |
| WHT | White |
| YEL | Yellow |

LADDER DIAGRAM-KUBOTA-GASOLINE-PETROL ENGINE SYSTEM

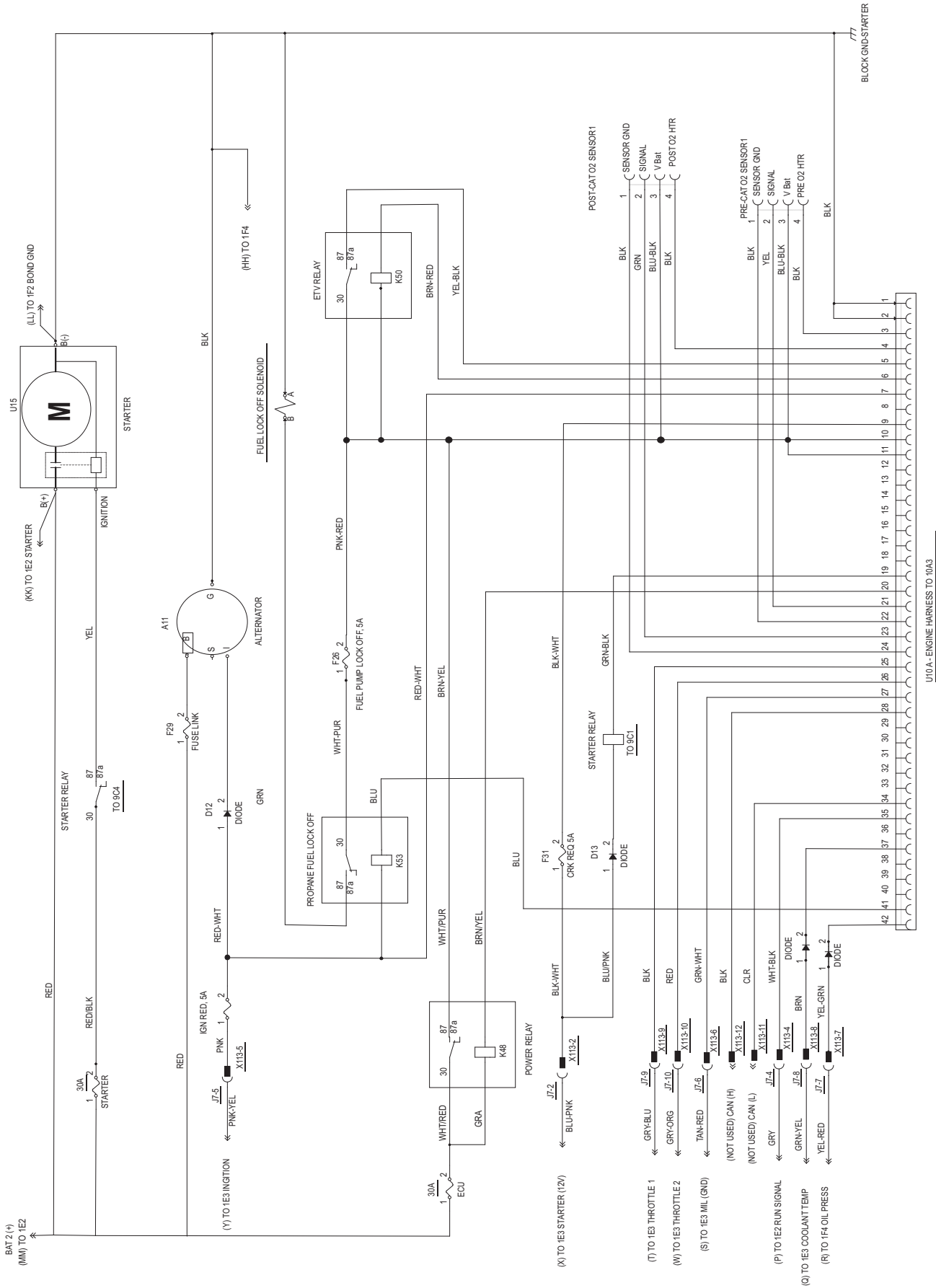
KUBOTA PETRO ENGINE SYSTEM



| Kit | Item | Ref. No. | Qty | Description |
|-----|------|----------|-----|-------------|
| | | 0775-295 | 1 | Alternator |
| | | 56419090 | 1 | Oil Switch |
| | | 56419091 | 1 | Temp Switch |
| | | 56508440 | 1 | Starter |

LADDER DIAGRAM-KUBOTA-LEV ENGINE SYSTEM-1

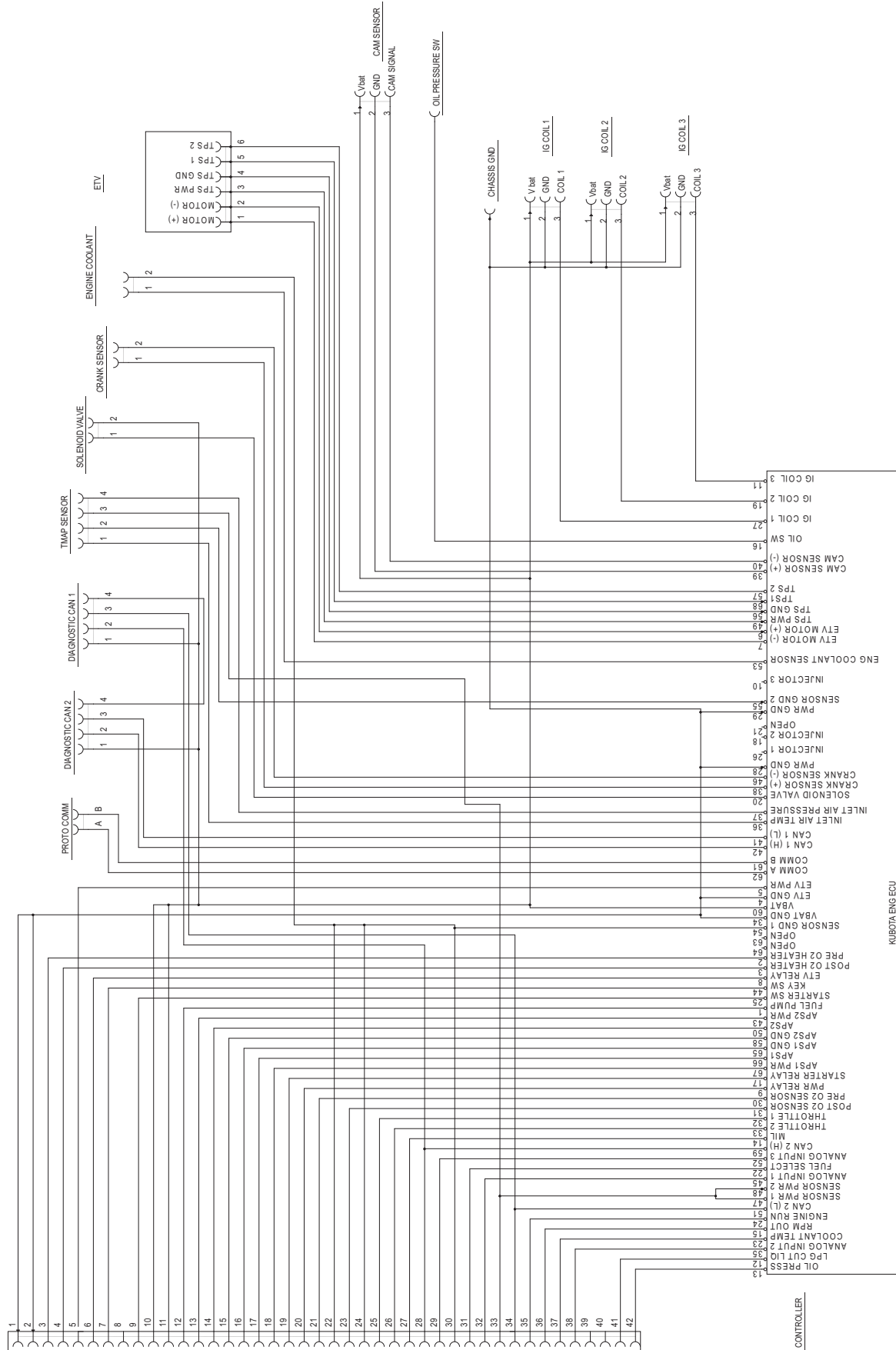
KUBOTA LPG (LEV) ENGINE SYSTEM



U10-A-ENGINE HARNESS TO I0A3

LADDER DIAGRAM-KUBOTA-LEV ENGINE SYSTEM-2

KUBOTA LEV ENGINE SYSTEM

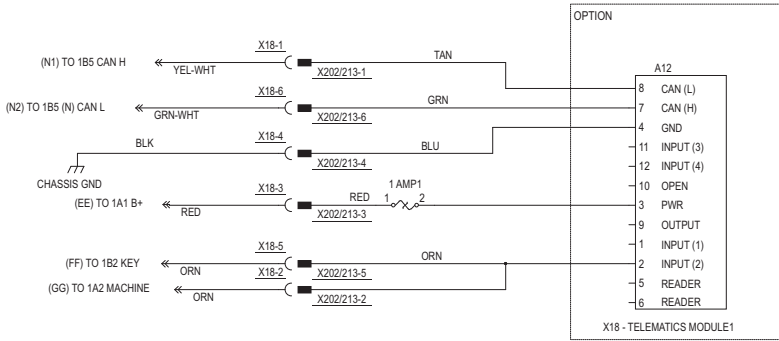


U10B ENGINE HARNESS TO 9C5

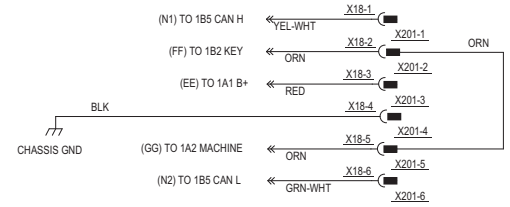
LADDER DIAGRAM-TRACK CLEAN CONNECTIONS

TRACKCLEAN CONNECTIONS

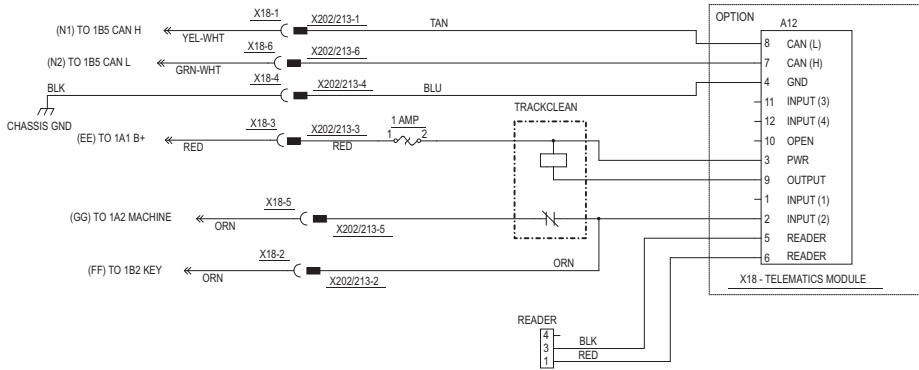
WITHOUT KEY READER



NO TRACKCLEAN



WITH KEY READER



OPTIONAL KITS & ACCESSORIES

| Ref. No. | Qty | Description |
|-------------|-----|-----------------------------------|
| | | Optional Kits NOTE 3 |
| * 56511845 | 1 | Extended Scrub Kit |
| * 56509988 | 1 | Deluxe Seat Kit |
| * 56509975 | 1 | Overhead Guard Kit-79" |
| * 56510399 | 1 | Overhead Guard Kit-82" |
| * 56383455 | 1 | Seat Belt Kit |
| * 56511858 | 1 | Brake Light/Turn Signal Kit |
| *# 56394124 | 1 | Rear Roller Kit-Left and Right |
| * 56509914 | 1 | Front Corner Roller Kit |
| * 56510326 | 1 | Super Duty Kit |
| * 56510605 | 1 | Fire Extinguisher Kit |
| * 56511843 | 1 | Back-Up Alarm Kit |
| * 56509994 | 1 | Floor Mat Kit |
| * 56511855 | 1 | Ecoflex Kit-Advance |
| * 56509811 | 1 | High Pressure Pump Kit-Diesel |
| * 56509810 | 1 | High Pressure Pump Kit-Lpg |
| * 56509729 | 1 | Plugged Filter Switch Kit |
| * 56509728 | 1 | Hopper Temperature Sensor Kit |
| * 56383045 | 1 | Light Kit |
| * 56511852 | 1 | Overhead Guard Beacon Kit |
| * 56510444 | 1 | Overhead Guard Canopy Kit |
| * 56511851 | 1 | Warning Beacon Kit |
| * 56510424 | 1 | Solution Fill Shut-Off Kit |
| * 56510443 | 1 | Vac Wand Kit |
| * 56511839 | 1 | Wash Hose Kit |
| * 56510015 | 1 | Water Heater Option-LPG |
| * 56510464 | 1 | Water Heater Option-Diesel |
| * 56383189 | 1 | Arm Rest Option (R/H Only) |
| * 56511741 | 1 | Squeegee Guard Kit |
| * 56510450 | 1 | Front Bumper Kit |
| * 56601410 | 1 | Drain Hose Extension |
| * 56111280 | 1 | Recovery Tank Clean Out Kit |
| * 56510465 | 1 | Accessory Socket Kit |
| * 56511841 | 1 | Dust Guard Kit |
| *# 56394268 | 1 | Battery Watering Kit |

OPTIONAL KITS & ACCESSORIES

| <u>Squeegee Blade Kits (See Squeegee Blade Selector Guide)</u> | | |
|--|----------|--|
| # | 56510371 | 1 Blade kit-Squeegee - Linatex NOTE 1 |
| * | 56510372 | 1 Blade kit-Squeegee Gum NOTE 1 |
| * | 56510373 | 1 Blade Kit-Squeegee PU NOTE 1 |
| <u>Deck Blade Kits</u> | | |
| # | 56510374 | 1 Blade Kit-Deck - Linatex NOTE 2 |
| * | 56510375 | 1 Blade Kit-Deck Gum NOTE 2 |
| * | 56510376 | 1 Blade Kit-Deck PU NOTE 2 |
| <u>Options</u> | | |
| | 56383293 | 1 Wheel-Drive 310x140 NOTE 4 |
| <u>Accessories</u> | | |
| * | 56044725 | 1 Literature Pack |
| <u>Scrub Brushes (See Brush Selector Guide)</u> | | |
| * | 56505780 | 3 Short Trim Pad Holder |
| * | 56505195 | 3 Pad Retainer for 56505750 |
| * | 56505785 | 3 ProLite |
| * | 56505784 | 3 Prolene |
| * | 56505786 | 3 Union Mix |
| * | 56505783 | 3 AgLite Grit 500 |
| * | 56505787 | 3 MidGrit 240 |
| * | 56505788 | 3 MidLite Grit 180 |
| * | 56505782 | 3 Dyna Grit 80 |
| * | 56505781 | 3 Magna Grit 46 |
| <u>Main Brooms</u> | | |
| | 33018858 | 1 Broom-Main Prolene/Wire |
| * | 33018856 | 1 Broom-Main Nylon |
| * | 33018857 | 1 Broom-Main Prolene |
| <u>Side Brooms</u> | | |
| | 56510707 | 1 Broom-Side Poly |

* = Optional, Not Included

= Revised or new since last update

NOTE 1: All squeegee blade kits include both front and rear squeegee blades.

NOTE 2: All Deck Blade Kits include all blades for both skirt assemblies

NOTE 3: Replacement parts for the kits listed above can be found on each kit's associated instruction sheet.

NOTE 4: This drive wheel can be used in place of the standard drive wheel 56509157 for increased traction.

RECOMMENDED SPARE PARTS

| Ref. No. | Qty | Description | Ref. No. | Qty | Description |
|------------|-----|-----------------------------------|----------|-----|---|
| | | Wear Parts | | | Extra Ordinary Maintenance |
| | | Brushes | | | Actuators |
| 56505780 | | Short Trim Pad Holder | 56511263 | | Actuator-Scrub Deck |
| 56505195 | | Pad Retainer (For 56505780) | 56511259 | | Actuator-Squeegee Lift |
| 56505785 | | ProLite | 56116781 | | Actuator-Side Broom |
| 56505784 | | Prolene | 56511260 | | Actuator-Broom Lift |
| 56505786 | | Union Mix | 56511758 | | Actuator-Dump Door |
| 56505783 | | AgLite Grit 500 | 56511657 | | Actuator-Steering 36V |
| 56505787 | | MidGrit 240 | | | Relays |
| 56505788 | | MidLite Grit 180 | 40892A | | Relay, DPDT 36VDC (K1 / Main Relay) |
| 56505782 | | Dyna Grit 80 | 40892A | | Relay, DPDT 36VDC (K5 / Steering Relay) |
| 56505781 | | Magna Grit 46 | | | Fuses |
| | | Brooms | 56303297 | | Fuse, 400 Amp F1 |
| 33018858 | | Broom-Main Prolene/Wire | N/A | | Fuse, 150 Amp F2 |
| 33018856 | | Broom-Main Nylon | | | Sensors - Switches |
| 33018857 | | Broom-Main Prolene | N/A | | Current Sensor (Brush) |
| | | Side Brooms | N/A | | Current Sensor (Broom) |
| 56510707 | | Broom-Side Poly | N/A | | Current Sensor (Vac) |
| | | Deck Blades & Hardware | 56511830 | | Sensor-Proximity (Hopper Interlock) |
| | | Left Skirt | 56509932 | | Switch-Extended Scrub Level (Optional) |
| # 56510374 | | Blade Kit-Deck - Linatex | 56511830 | | Sensor-Proximity (Brake) |
| 56510375 | | Blade Kit-Deck White Gum | 56509761 | | Switch-Vacuum (Plugged Filter Kit / Optional) |
| 56510376 | | Blade Kit-Deck PU | 56511830 | | Sensor-Proximity (Hopper Dump Door Extent) |
| 56510810 | | Arm Kit-Side Squeegee | 56418405 | | Switch-Temperature (Hopper Temp Sensor Kit) |
| 56510883 | | Strap Kit-Side Squeegee LT FR | | | Motors & Carbon Brushes |
| 56510882 | | Strap Kit-Side Squeegee LT RR | 56511367 | | Shaker Motor Kit |
| | | Right Skirt | 56508440 | | Starter Motor LPG |
| # 56510374 | | Blade Kit-Deck - Linatex | 56419089 | | Starter Motor Diesel |
| 56510375 | | Blade Kit-Deck White Gum | 56511831 | | Motor 36V 0.55Hp (Hydraulic Pump Hopper Cyl) |
| 56510376 | | Blade Kit-Deck PU | 56511400 | | Motor Vacuum 36V Dc |
| 56510810 | | Arm Kit-Side Squeegee | 56116107 | | Vacuum Motor Brush Kit |
| 56510811 | | Strap Kit-Side Squeegee | 56384565 | | Motor-42vdc-115rpm-0.4hp-Right (Side Brooms) |
| 56510812 | | Hardware Kit-Side Squeegee Rt | 56384564 | | Motor-42vdc-115rpm-0.4hp-Left (Side Brooms) |
| 56510813 | | Guard Kit-UHMW | 56384521 | | Sidebroom Motor Brush Kit (For 56384565 & 56384564) |
| 56511213 | | Guard-Edge Scrub | 56510737 | | Motor Kit Drive |
| | | Filters | 56511366 | | Motor Shaker |
| 56510354 | | Filter rectangular synthetic | 56511937 | 1 | Gearmotor Assy-Center |
| 56508458 | | Oil filter cartridge LPG | 56511935 | 2 | Gearmotor Assy-Left |
| 56510095 | | LPG Tank filter Assy | 56511936 | 1 | Gearmotor Assy-Right |
| 56419086 | | Fuel Filter Cartridge Diesel | 56422152 | 1 | Brush Kit (for 56511937, 56511935, 56511936) |
| 56482659 | | Oil filter cartridge Diesel | 56511921 | | Motor Dust Control |
| 56413194 | | Screen filter Recovery system | 56509168 | | Motor Drive |
| 56413195 | | Filter Recovery system | 56510740 | | Motor Kit-Broom |
| 56510581 | | Filter kit Solution | 56422152 | | Brush Kit-Motor (for Broom Motor) |
| 56407162 | | Filter Solution | | | Pumps |
| 56482028 | | Filter Safety | 56511864 | | Fuel Pump (Petrol/Gasoline/Diesel) |
| 56482029 | | Filter Primary | 56511834 | | Pump water, 36v M19 Ecoflex |
| | | Hopper System | 56510888 | | Detergent Pump Kit |
| 56509146 | | FLAP & Seal-Hopper Door Bottom | 56511549 | | Water Pump Assy LPG |
| 56511192 | | Dump Door Assy | 56509374 | | Hydraulic Pump/Reservoir Assy |
| 56509399 | | Seal-Hopper | 56110742 | | Pump-Chemical Metering (EcoFlex / Optional) |
| | | Recovery System | | | Printed Circuit Boards |
| 56510232 | | Gasket-Recovery Cover | 56511698 | | Controller-Traction Drive |
| 56509985 | | Hose-Squeegee | 56511588 | | User Interface Panel Assy |
| 56383261 | | Drain Hose Kit | 56511598 | | Controller-Steering |
| 56510583 | | Float Ball Cage Kit | 56511615 | | Torque Feedback Device |
| 56510678 | | Gasket-Tank | | | MISC |
| | | Wheel System | 56508456 | | Spark Plug |
| 56509157 | | Wheel-Drive 310x140 | 56510629 | | Belt-Fan (Petrol / Gasoline Engine) |
| 56383402 | | Wheel-Mold-On 16.2 X 4 | 56509442 | | Belt-3VX X 45.0 |
| | | | 56510185 | | Governor-Controller |
| | | | 56510738 | | Lug Nut Kit |
| | | | 56511577 | | Belt-Fan-34.75 Od (LEV Engine) |
| | | | 56419087 | | Fan Belt (Diesel Engine) |

= Revised or new since last update

BRUSH SELECTOR GUIDE

We provide brushes and pad holders that will give you the best possible performance between machine and floor. Following are descriptions of the materials and their applications.

- ProLite:** Bristles are made from light-duty polypropylene for general scrubbing when you do not want to scratch or remove finish from the floor. Recommended for use in place of red pads.
- Prolene:** Polypropylene material for medium-duty scrubbing on concrete, terrazzo and vinyl floor tile. Recommended for use in place of green or blue pads.
- Union Mix:** Medium grade natural fibers for polishing finished floors with standard-speed equipment. Recommended for use in place of white pads.
- AgLite Grit 500:** For light scrubbing when used wet; buffing or polishing when used dry on urethane coated, sealed concrete or other resilient hard surface floors. Recommended for use in place of red or white pads.
- MidGrit 240:** For general purpose scrubbing when you need a lighter action for sealed or unsealed concrete, stone, terrazzo, quarry tile and other resilient hard floor surfaces. Recommended for use in place of green or blue pads.
- MidLite Grit 180:** For general purpose scrubbing of sealed or unsealed concrete, stone, terrazzo, quarry tile and other resilient hard floor surfaces. Recommended for use in place of green or blue pads.
- Dyna Grit 80:** For aggressive, heavy-duty scrubbing or stripping of floors. Recommended for use in place of brown pads.
- Magna Grit 46:** For extreme heavy-duty scrubbing or stripping of floors. This brush has extra large diameter silicon carbide grit impregnated synthetic bristles. Recommended for use in place of black pads.
- Short Trim**
- Pad Holder:** Made with a structural foam block and center ring for correct pad centering. It has a "shower feed" design for getting solution to the floor.

BRUSHES

- 56505780 - Short Trim Pad Holder
- 56505195 - Pad Retainer for 56505800
- 56505785 - ProLite
- 56505784 - Prolene
- 56505786 - Union Mix
- 56505783 - AgLite Grit 500
- 56505787 - MidGrit 240
- 56505788 - MidLite Grit 180
- 56505782 - Dyna Grit 80
- 56505781 - Magna Grit 46

DISC BRUSH APPLICATION GUIDE (SUGGESTION ONLY)

| | 46 | 80 | 180 | 240 | 500 | | | Union |
|---------------------------|------|------|------|------|------|---------|---------|-------|
| Application | Grit | Grit | Grit | Grit | Grit | Prolene | Prolite | Mix |
| Stripping: | | | | | | | | |
| Concrete | X | X | | | | | | |
| Terrazzo | X | X | | | | | | |
| Ceramic/Quarry tile | | X | | | | | | |
| Vinyl tile | | X | | | | | | |
| General Scrubbing: | | | | | | | | |
| Concrete | X | X | X | X | | X | | |
| Terrazzo | | | X | X | X | X | | |
| Ceramic/Quarry tile | | | X | X | X | X | | |
| Marble | | | | | X | | X | |
| Vinyl tile | | | X | | X | X | | |
| Raised-rubber tile | | | | | X | | X | |
| Polishing: | | | | | | | | |
| Raised Disc Tile | | | | | | | | X |
| Marble | | | | | | | | X |
| Vinyl tile | | | | | | | | X |

BROOM SELECTOR GUIDE

CYLINDRICAL BRUSH APPLICATION GUIDE (SUGGESTION ONLY)

| Application | 46 Grit | 80 Grit | 180 Grit | Polypropylene | Stiff Nylon | Soft Nylon |
|---------------------------|---------|---------|----------|---------------|-------------|------------|
| Stripping: | | | | | | |
| Concrete | X | X | | | | |
| Terrazzo | X | X | | | | |
| Ceramic/Quarry tile | | X | | | | |
| Vinyl tile | | X | | | | |
| General Scrubbing: | | | | | | |
| Concrete | X | X | X | X | X | |
| Terrazzo | | | X | X | X | X |
| Ceramic/Quarry tile | | | X | X | X | X |
| Marble | | | X | | X | X |
| Vinyl tile | | | X | X | X | X |
| Raised-rubber tile | | | X | | | X |

Main Broom: 33018858 Prolene & Wire (STD.) (6 Double Rows)

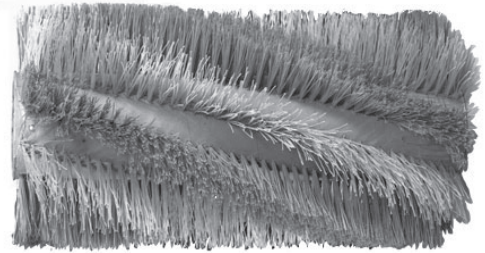
This broom has a more aggressive cleaning action, used to pick up heavier debris.

33018857 Prolene (Optional) (6 Double Rows)

A top quality synthetic fiber. This filament is made for a wide variety of applications. Retains its stiffness when wet and resists abrasive chemicals, solvents and oils. A general purpose material offering high performance for a wide range of applications.

33018856 Nylon (Optional) (6 Double Rows)

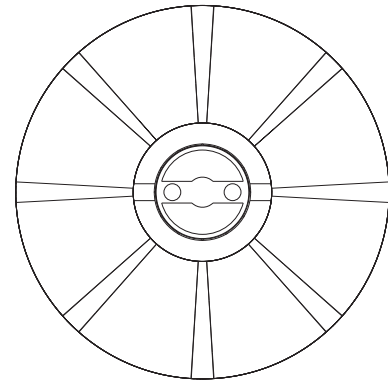
General purpose broom that can be used for all types of light soil. High wear material so uneven surfaces do not cause excessive wear. Nylon has a high heat deflection temperature, is chemical resistant and will absorb water in wet conditions. Truly a general purpose broom.



6 Double Row

Length..... 35.43" (90 cm)

Diameter.... 12.20" (31 cm)

**Side Broom: 56510707 Polypropylene (STD.)**

The side broom function is to sweep the dirt and debris away from the curb, wall, pallet, etc. into the path of the main broom.



Diameter 22" (56 cm)

SQUEEGEE BLADE SELECTOR GUIDE

Gum Rubber: Provides superior wiping action on tile, terrazzo, and polished floors.

Linatex Rubber: Provides longest life on finished or unfinished concrete floors.

Polyurethane: Oil resistance provides superior life in applications with oily floors.

| SQUEEGEE BLADE APPLICATION GUIDE(SUGGESTION ONLY) | | | |
|--|--|--|-------------------------------------|
| Performance Traits | Gum Rubber (Natural Rubber) | Linatex Rubber (Natural Rubber) | Polyurethane/ Pentathane |
| Tear Strength | | X | X |
| Abrasion Resistance | | X | X |
| Applications | | | |
| Oil Resistant Applications | | | X |
| Appearance | Tan | Red | Translucent |



9435 Winnetka Ave North
Minneapolis, MN 55445
www.advance-us.com
Phone: 800-989-2235
Fax: 800-989-6566
©2018 Nilfisk, Inc.

