



IPC Integrated Professional Cleaning

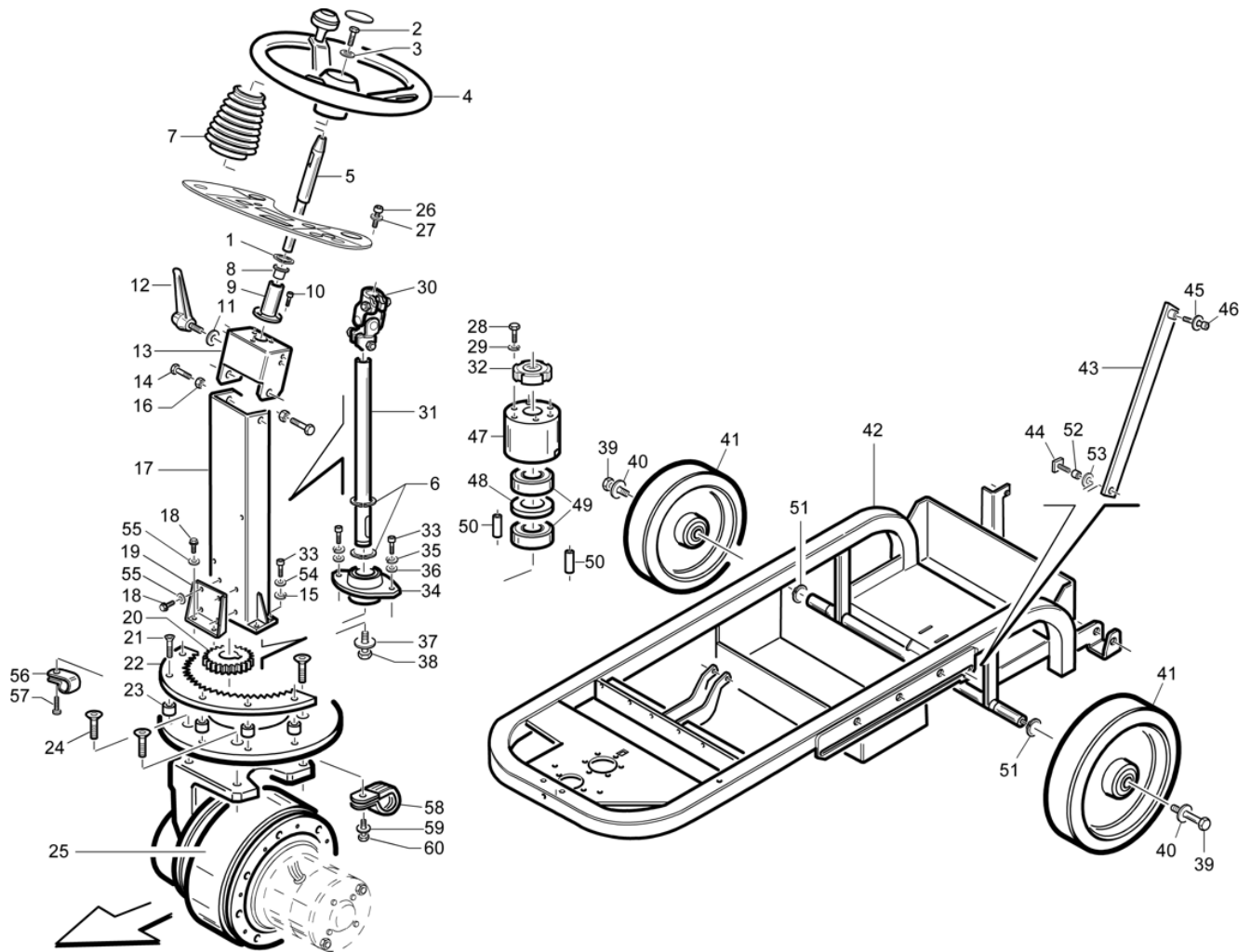
IPC Gansow

Spare Parts List

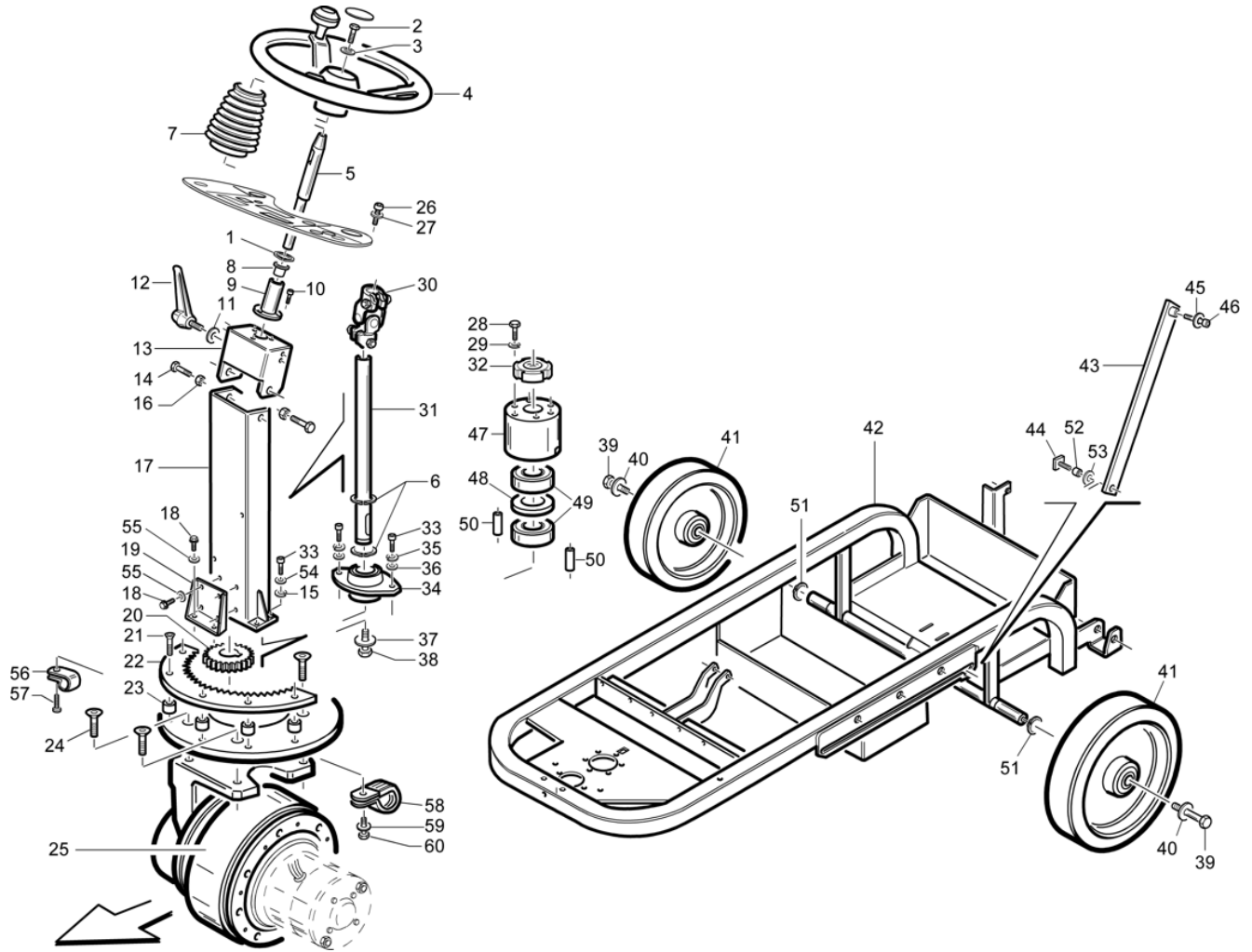
IPC . EAGLE

Ref: LPTB02165

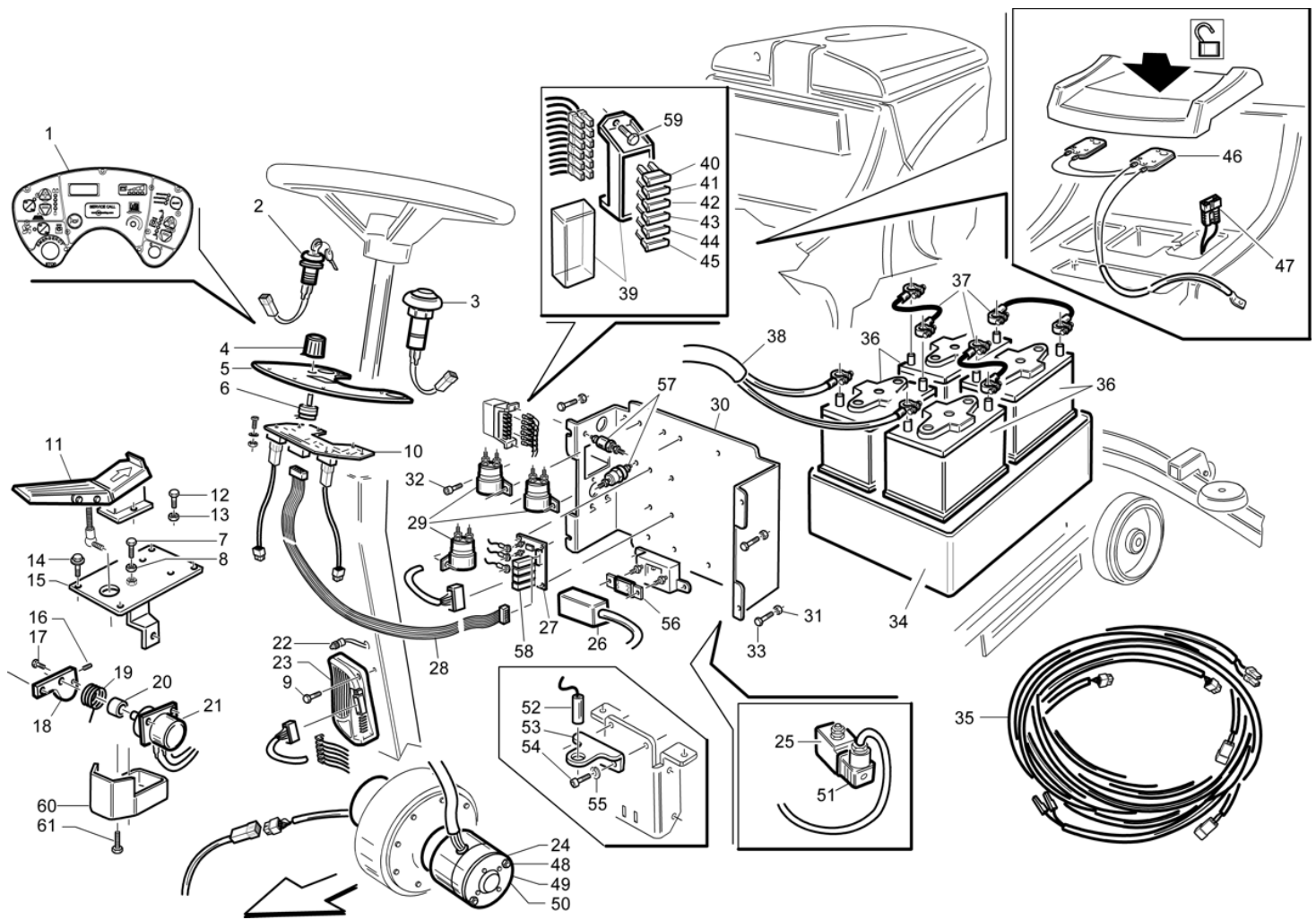
Model: CLEAN TIME 110 BT70



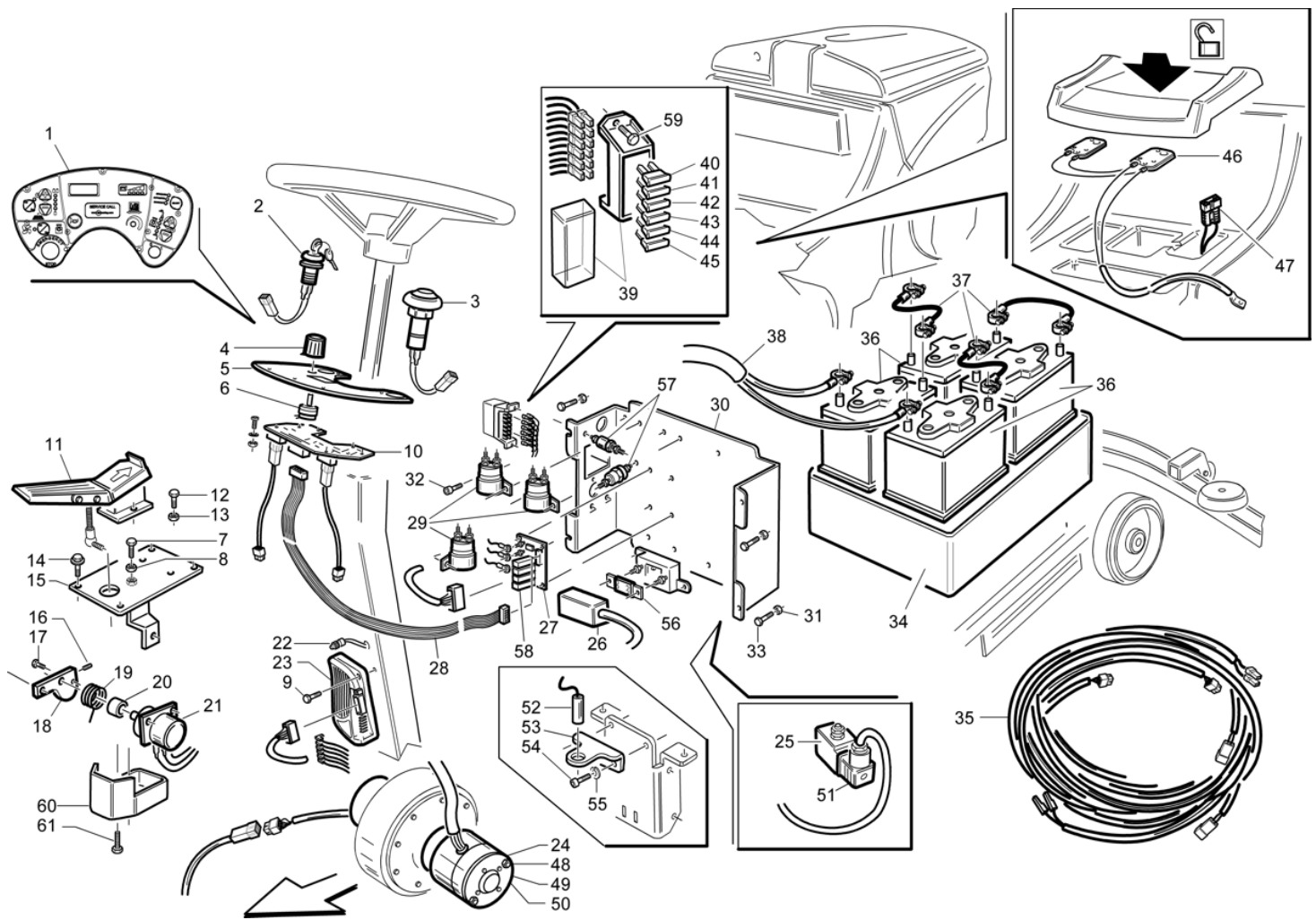
Ref. K	Part N.	Customer Part N.	Description	Qty	Validity:		Price
					From	To	
0001	VTAE17003		CIRCLIP D. 15 UNI 7435	2,00			--
0002	VTVT00457		SCREW TE M 10X30 ZINC. UNI 5739	1,00			--
0003	VTRS44254		WASHER D.10 X40X2.5 UNI6593	1,00			--
0004	MPVR47027		STEERING WHEEL D. 320 L.14	1,00			--
0005	ALTR00031		SHAFT PER VOLANTE TK 1050 ZINC.	1,00			--
0006	VTAE00032		SEEGER 20	2,00			--
0007	MPVR05237		PROTECTOR -	1,00			--
0008	LAFN75841		BUSHING TK 1000	2,00			--
0009	LAFN00149		BUSHING PORTA PIANTONE TK1050 ZIN	1,00			--
0010	VTVT62920		SCREW TE F/ROND. M 6X 16 ZB	3,00			--
0011	VTRS13946		WASHER D. 8 X24 INX UNI 6593	1,00			--
0012	MPVR05250		HANDLE M8X25	1,00			--
0013	LAFN06365		SUPPORT STERZO	1,00			--
0014	VTVT13936		SCREW TE M 10X 20	2,00			--
0015	VTRS13947		WASHER D. 8 INX UNI 6592	4,00			--
0016	VTDD00493		NUT M10 TEF	2,00			--
0017	LAFN06362		UP STEERING CT110	1,00			--
0018	VTVT15143		SCREW TE 6X16 UNI5739	6,00			--
0019	LAFN06508		BRACKET PIANTONE	1,00			--
0020	LAFN06377		PINION STERZO	1,00			--
0021	VTVT00062		SCREW TSCE UNI 5933 6X25 ZB	5,00			--
0022	LAFN06373		BRAKE CT110	1,00			--
0023	LAFN06844		SPACER CORONA	5,00			--
0024	VTVT00263		SCREW TSPEI M10x30	4,00			--
0025	MOCC00316		MOTOR MR240-01 M420	1,00			--
0026	VTVT37012		SCREW M 4X 10 TCB-TC INX	5,00			--
0027	VTRS00515		WASHER D. 4 INX	5,00			--
0028	VTVT00410		SCREW TE M8x35 UNI5739 INOX	5,00			--
0029	VTRS15146		WASHER D. 8 INX GRW UNI 1751	5,00			--
0030	VTVR00057		ARTICULATION CARDANICO	1,00			--
0031	LAFN06374		SHAFT STERZO	1,00			--
0032	VTVR75747		RING NUT AUTOBLOK M 35 X 1,5 GUK	1,00			--
0033	VTVT13938		SCREW TE 8X20 UNI5739 INX	4,00			--
0034	CUVR00105		SUPPORT	1,00			--
0035	VTRS15146		WASHER D. 8 INX GRW UNI 1751	2,00			--
0036	VTRS13947		WASHER D. 8 INX UNI 6592	2,00			--
0037	VTRS16937		WASHER 6x24 INOX UNI 6593	1,00			--
0038	VTVT15143		SCREW TE 6X16 UNI5739	1,00			--
0039	VTVT13936		SCREW TE M 10X 20	2,00			--



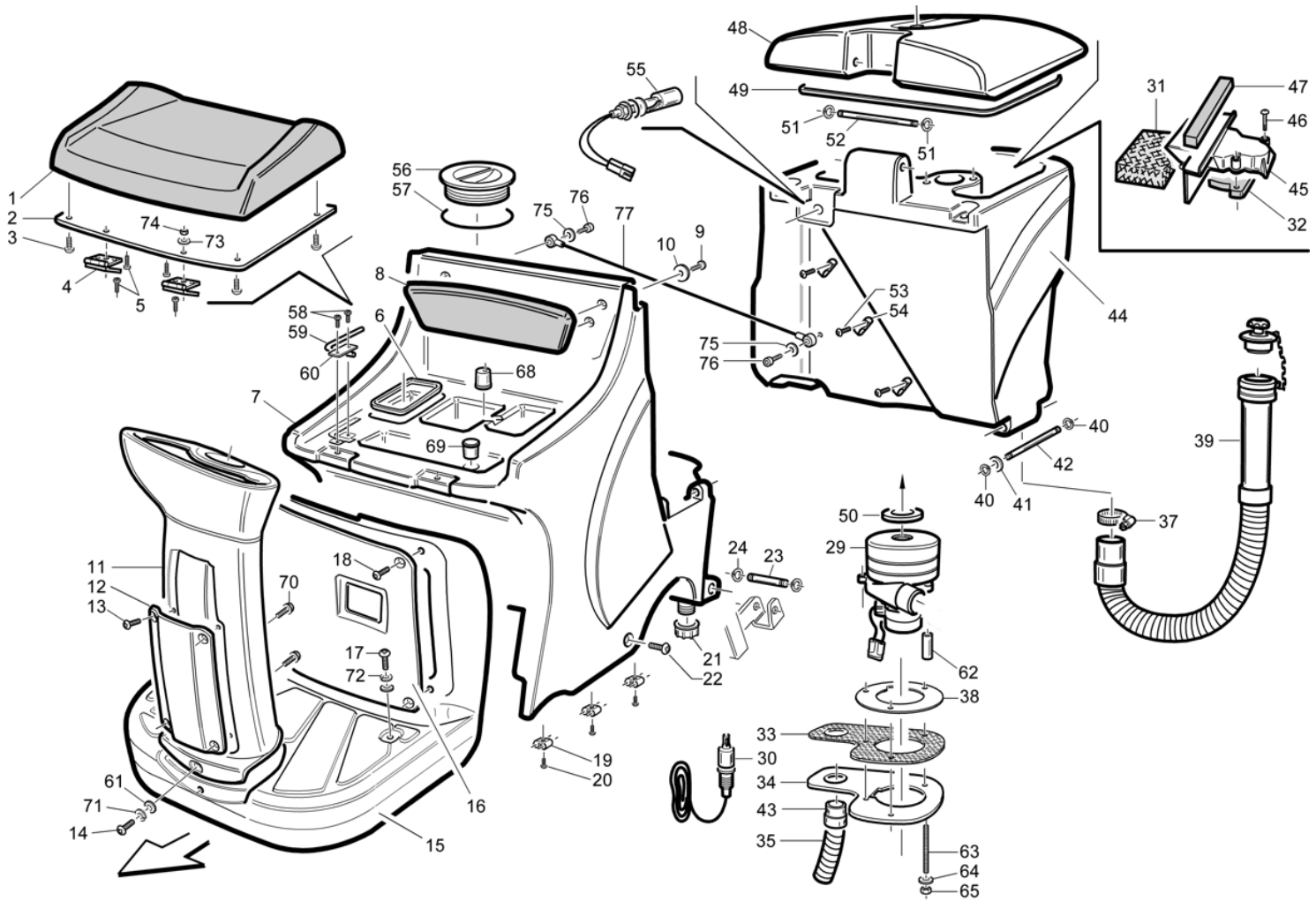
Ref. K	Part N.	Customer Part N.	Description	Qty	Validity:		Price
					From	To	
0040	LAFN04144		WASHER RUOTE POSTERIORI	2,00			--
0041	RTRT00507		WHEEL D.300 H=70	2,00			--
0042	LAFN06360		FRAME CT110	1,00			--
0043	LAFN06427		LEVER CT110	1,00			--
0044	LAFN04147		SCREW ASTA SERBATOIO P185	1,00			--
0045	VTRS00502		WASHER D. 5 0.466 UNI 6592	1,00			--
0046	VTVT00005		SCREW TE FR 5X12 ZB	1,00			--
0047	LAFN06522		PLATE CT110	1,00			--
0048	LAFN06523		SPACER Ø48 X Ø36,5 X 20	1,00			--
0049	CUVR00120		BEARING 6007-2RS1	2,00			--
0050	LAFN06387		BUSHING STERZO	2,00			--
0051	VTAE00018		SEEGER E25x1,2 DIN471	2,00			--
0052	LAFN04148		BUSHING ASTA SERBATOIO P185	1,00			--
0053	VTRS00506		WASHER D.12 UNI 6592	1,00			--
0054	VTRS13947		WASHER D. 8 INX UNI 6592	4,00			--
0055	VTRS00245		WASHER D.6 UNI 6592 INOX	6,00			--
0056	MPVR02933		DUCT LOCK D.9,5	2,00			--
0057	VTVT37012		SCREW M 4X 10 TCB-TC INX	2,00			--
0058	FSVR00043		CLAMP d.16	1,00			--
0059	VTRS15144		WASHER D. 6 INX GRW UNI 1751	1,00			--
0060	VTVT15906		SCREW TE 6X 12 A2 UNI 5739	1,00			--



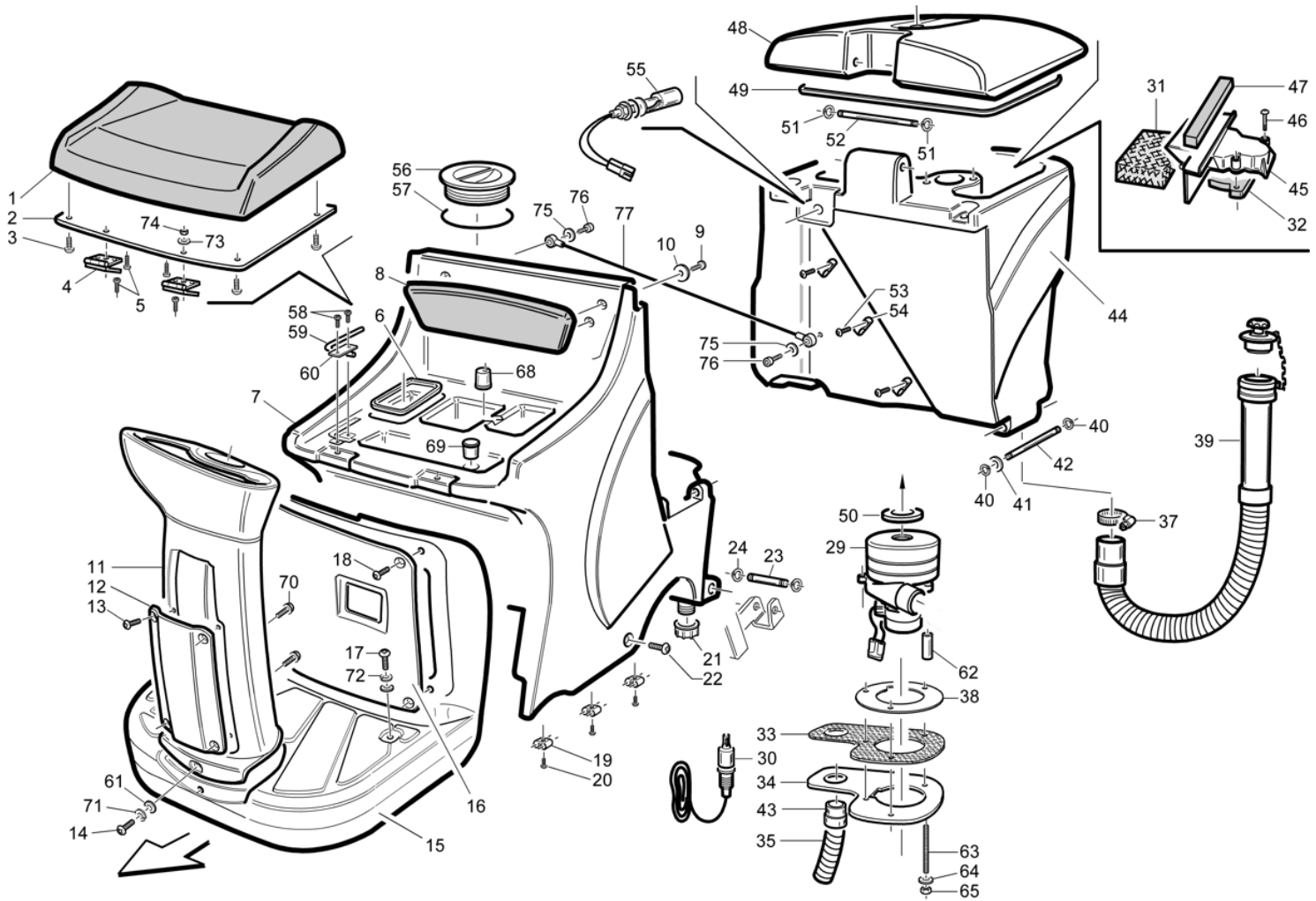
Ref.	K	Part N.	Customer Part N.	Description	Qty	Validity: From To	Price
0001		ETET01485		LABEL -	1,00		--
0002		MECI00340		SWITCH A CHIAVE X MOT.BATT.P185	1,00		--
0003		MECI00341		BUTTON DI EMERGENZA P185	1,00		--
0004		MEVR01573		SMALL KNOB 2200 V6	1,00		--
0005		LAFN06408		PLATE -	1,00		--
0006		MEVR01941		POTENTIOMETER 100K	1,00		--
0007		VTVT13937		SCREW TE M 8X 30 INX UNI 5739	1,00		--
0008		VTDD01696		NUT M 8 INX	1,00		--
0009		VTVT00727		SCREW TE M. 4-20	2,00		--
0010		MECE00451		BOARD	1,00		--
0011		LAFN06429		PEDALE CT110	1,00		--
0012		VTVT15143		SCREW TE 6X16 UNI5739	2,00		--
0013		VTDD15518		NUT M 6 INX	2,00		--
0014		VTVT00005		SCREW TE FR 5X12 ZB	4,00		--
0015		LAFN06521		SUPPORT ACCELERATORE	1,00		--
0016		VTVT00911		GRUB SCREW M4X8	1,00		--
0017		VTVT00727		SCREW TE M. 4-20	2,00		--
0018		LAFN06371		CONNECTING ROD POTENZIOMETRO	1,00		--
0019		MLML00301		SPRING ACCELLERATORE	1,00		--
0020		MPVR05236		BUSHING -	1,00		--
0021		MEVR01700		POTENTIOMETER 0-5K	1,00		--
0023		MECE00450		BOARD	1,00		--
0024		RTRT00508		RING X MR240-01 M420	1,00		--
0025		MEEV00018		SOLENOID VALVE	1,00		--
0026		MEVR00146		FUSE-HOLDER MEGA	1,00		--
0027		MECE00452		BOARD	1,00		--
0028		MECB01021		CABLE FLAT	1,00		--
0029		METT45116		CONTACTOR 24V T106 P	3,00		--
0030		LAFN06503		PLATE ELETTRONICA	1,00		--
0032		VTVT00005		SCREW TE FR 5X12 ZB	8,00		--
0033		VTVT00005		SCREW TE FR 5X12 ZB	4,00		--
0034		MPVR05217		CONTAINER BATTERIA	1,00		--
0035		MECB01015		WIRING CT110	1,00		--
0037		MEVR34820		WIRING B 450 BT	3,00		--
0038		MECB01015		WIRING CT110	1,00		--
0039		MEVR00567		FUSE-HOLDER 6 VIE	1,00		--
0040		MEVR01136		FUSE 30A	1,00		--
0041		MEVR01136		FUSE 30A	1,00		--
0043		MEVR00584		FUSE 3A	1,00		--



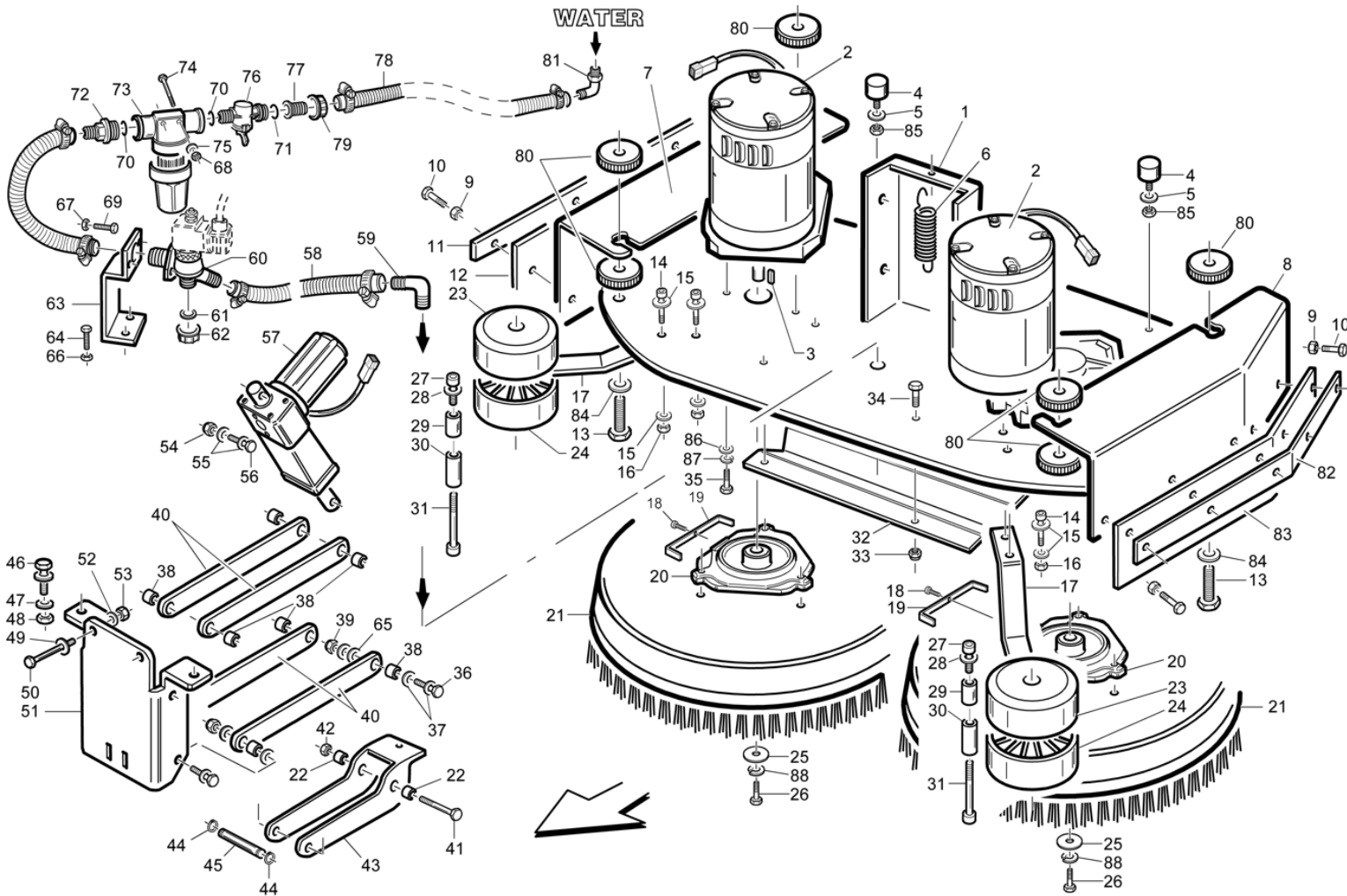
Ref. K	Part N.	Customer Part N.	Description	Qty	Validity:		Price
					From	To	
0044	MEVR00584		FUSE 3A	1,00			--
0045	MEVR00584		FUSE 3A	1,00			--
0046	MEVR00148		DASHBOARD SEDILE G1050	1,00			--
0047	MEVR01079		CONNECTOR CARICABATT.ROSSO	1,00			--
0048	MOCC00325		MOTOR X MR240-01 M420	1,00			--
0051	MECB01015		WIRING CT110	1,00			--
0052	MECI00405		SENSOR -	1,00			--
0053	LAFN06386		BUSHING GUIDA MOLLA TESTATA	1,00			--
0054	VTVT15143		SCREW TE 6X16 UNI5739	2,00			--
0055	VTRS15144		WASHER D. 6 INX GRW UNI 1751	2,00			--
0056	MEVR00145		FUSE 100A	1,00			--
0057	MEVR47082		INSULATOR M6 35-CH32	1,00			--
0058	MECE00456		RELAY CT110	4,00			--
0059	VTVT00005		SCREW TE FR 5X12 ZB	2,00			--
0060	MPVR05235		COVER -	1,00			--
0061	VTVT00005		SCREW TE FR 5X12 ZB	2,00			--



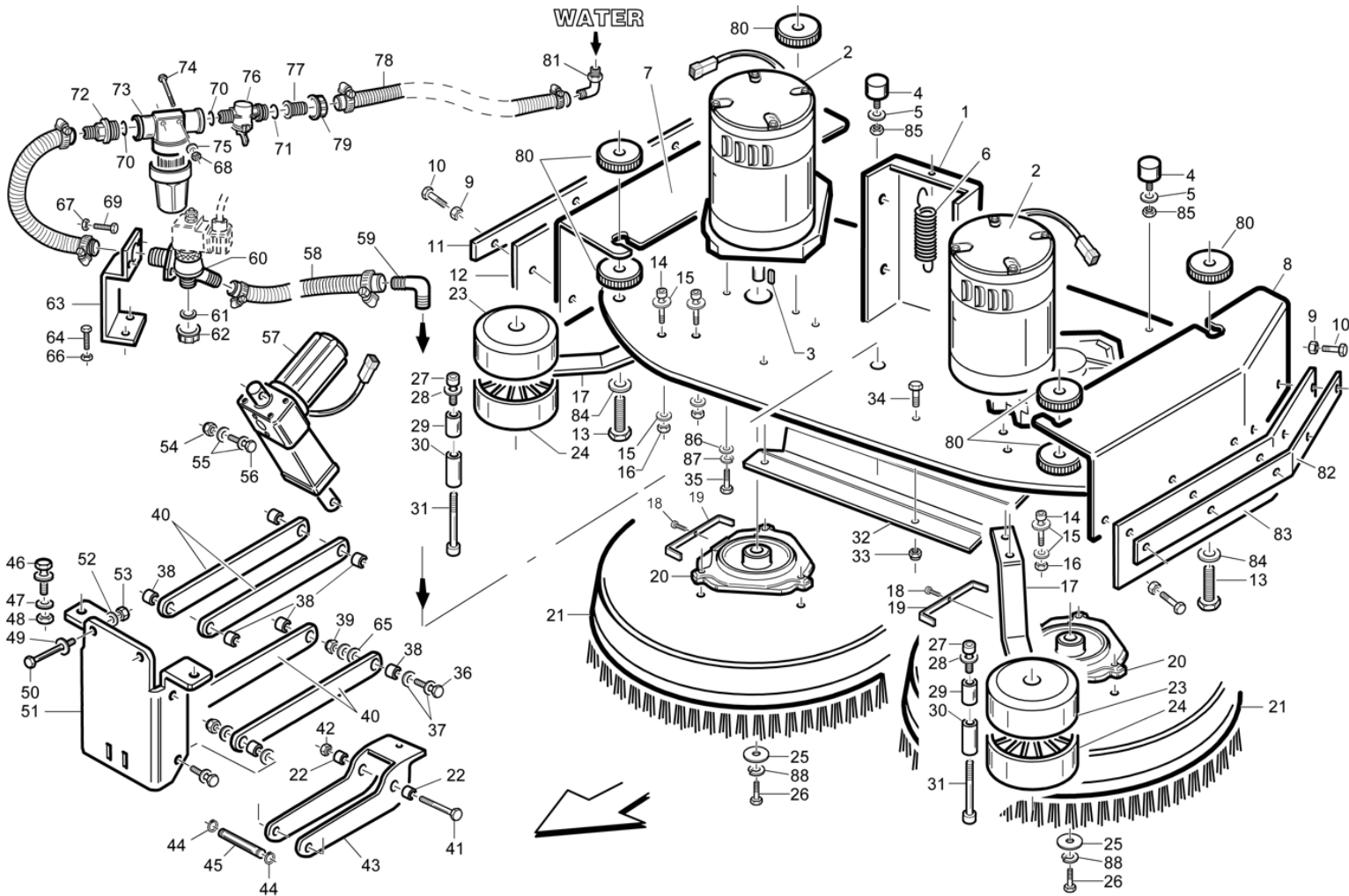
Ref.	K	Part N.	Customer Part N.	Description	Qty	Validity:		Price
						From	To	
0001		SESD00021		SEAT	1,00			--
0002		LAFN06430		PLATE CT110	1,00			--
0003		VTVT15143		SCREW TE 6X16 UNI5739	4,00			--
0004		CEVR00060		HINGE PORTA SEDILE P185	2,00			--
0005		VTVT01317		SCREW M 5X 12 TSPEI UNI 5933	4,00			--
0007		MPVR05201		TANK CT110	1,00			--
0008		SESD00020		SHEET METAL PA.CLEANTIME	1,00			--
0009		VTVT00433		SCREW TE M 6X 30 UNI 5739 INX	2,00			--
0010		VTRS13945		WASHER D. 6X18 INX UNI 6593	4,00			--
0011		MPVR05203		SIDE PANEL CT110	1,00			--
0012		MPVR05205		COVER SCHEDE POTENZA	1,00			--
0013		VTVT00005		SCREW TE FR 5X12 ZB	4,00			--
0014		VTVT15142		SCREW TE M 6x45 INOX	1,00			--
0015		MPVR05204		PLANE CT110	1,00			--
0016		MPVR05206		COVER PANNELLO ELETTRONICA	1,00			--
0017		VTVT00433		SCREW TE M 6X 30 UNI 5739 INX	2,00			--
0018		VTVT00005		SCREW TE FR 5X12 ZB	4,00			--
0019		FSVR00243		CLAMP 20/30	3,00			--
0020		VTVT37012		SCREW M 4X 10 TCB-TC INX	3,00			--
0021		KTRI03463		CAP SCARICO SERBATOIO SOLUZ.	1,00			--
0022		VTVT00005		SCREW TE FR 5X12 ZB	1,00			--
0023		LAFN06433		PIN ROTAZIONE	2,00			--
0024		VTAE06761		CIRCLIP D. 18 UNI 7435	4,00			--
0029		MOCC00273		MOTOR 3 ST.24V 116598-13	1,00			--
0030		MECI00533		SENSOR VS303-51N	1,00			--
0031		FTDP00133		FILTER ASPIRAZIONE ALLUNG.	1,00			--
0032		GUGO00417		GASKET SCATOLA ASPIRAZIONE	1,00			--
0033		MPVR05103		SOUND-PROOFING ASPIRATORE	1,00			--
0034		LAFN06363		FLANGE ASPIRATORE	1,00			--
0035		TBFX00244		TUBE D 34 L200MM	1,00			--
0037		FSVR00033		CLAMP 45-60	1,00			--
0038		MPVR04724		FLANGE IN NYLON	1,00			--
0039		TBBP00401		TUBE ACQUA SPORCA	1,00			--
0040		VTAE14096		CIRCLIP D. 8 UNI 7435	2,00			--
0041		VTRS13947		WASHER D. 8 INX UNI 6592	1,00			--
0042		LAFN06434		PIN ROTAZIONE	1,00			--
0043		MPVR31077		BUSHING L.450	1,00			--
0044		MPVR05200		TANK CT110	1,00			--
0045		FTDP00185		BOX ASPIRAZIONE	1,00			--



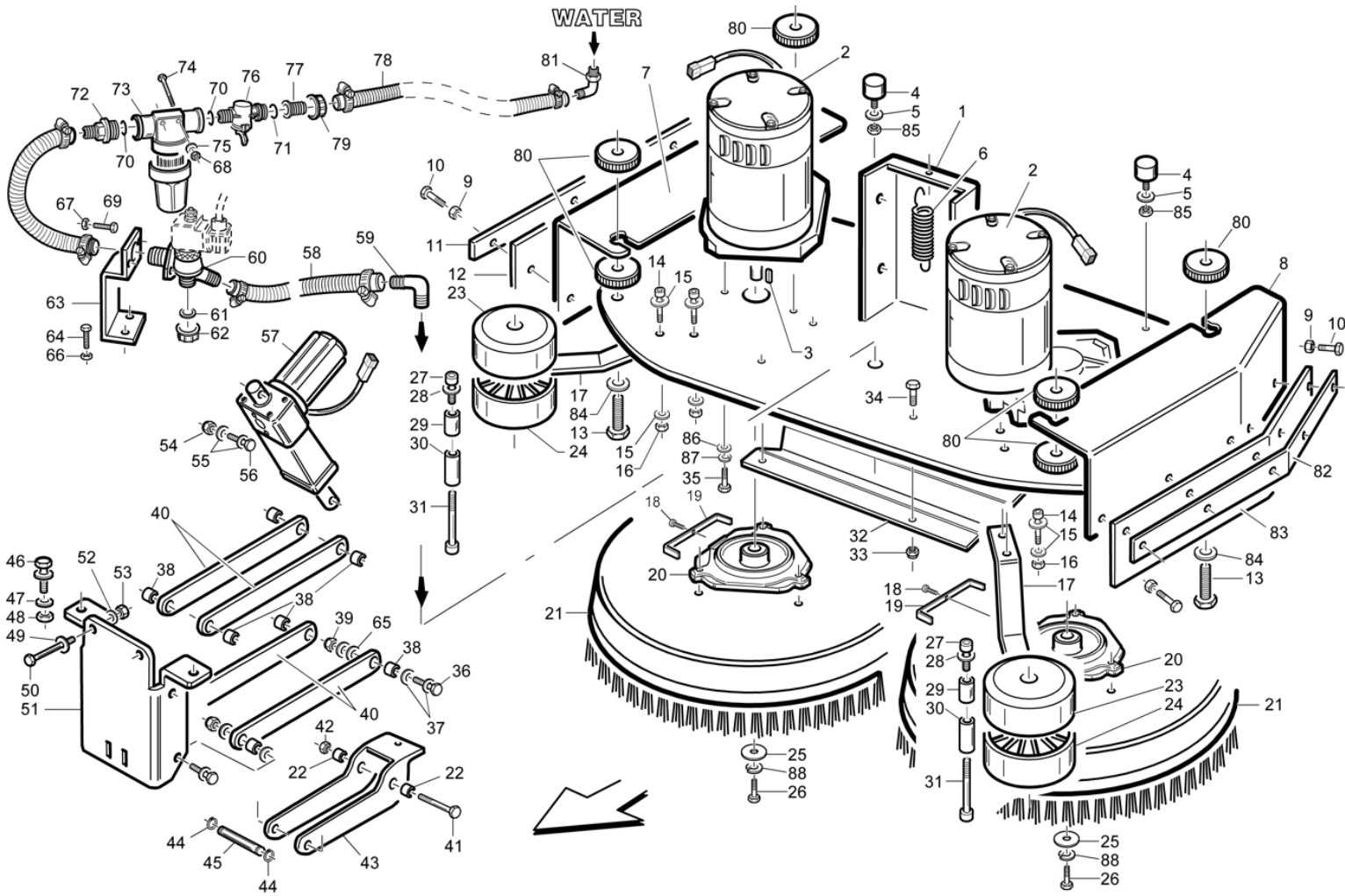
Ref. K	Part N.	Customer Part N.	Description	Qty	Validity:		Price
					From	To	
0046	VTVT01325		SCREW TCEI 5X35 INOX UNI5931	2,00			--
0047	GUGO00417		GASKET SCATOLA ASPIRAZIONE	1,00			--
0048	MPVR05202		COVER CT110	1,00			--
0050	GUGO00272		GASKET	1,00			--
0051	VTVR00536		SEEGER 8	2,00			--
0052	LAFN06509		PIN ROTAZIONE	1,00			--
0053	VTVT37012		SCREW M 4X 10 TCB-TC INX	3,00			--
0054	MPVR02933		DUCT LOCK D.9,5	3,00			--
0055	MECI00399		SENSOR DI LIVELLO ORIZZONTALE	1,00			--
0056	MPVR05212		CAP -	1,00			--
0057	GUVR00287		GASKET CT110	1,00			--
0058	VTVT00849		SCREW M 4X 10 TSPEI INX U.5933	2,00			--
0059	LAFN06431		ROD CT110	1,00			--
0060	LAFN06432		PLATE CT110	1,00			--
0061	VTRS13945		WASHER D. 6X18 INX UNI 6593	1,00			--
0062	LAFN51077		SPACER PH	3,00			--
0063	VTVT00785		ROD FILETTO	3,00			--
0064	VTRS13945		WASHER D. 6X18 INX UNI 6593	3,00			--
0065	VTDD15518		NUT M 6 INX	3,00			--
0068	MPVR05273		CAP CT110	1,00			--
0069	MPVR05272		CAP CT110	1,00			--
0070	VTVT62920		SCREW TE F/ROND. M 6X 16 ZB	4,00			--
0071	VTRS15144		WASHER D. 6 INX GRW UNI 1751	1,00			--
0072	VTRS15144		WASHER D. 6 INX GRW UNI 1751	2,00			--
0073	VTRS00502		WASHER D. 5 0.466 UNI 6592	2,00			--
0074	VTDD15517		NUT M 5 INX	2,00			--
0075	VTRS13947		WASHER D. 8 INX UNI 6592	2,00			--
0076	VTVT15916		SCREW TE M 8X 16 UNI 5739 A2	2,00			--
0077	CMCV00427		CABLE CT 110	1,00			--



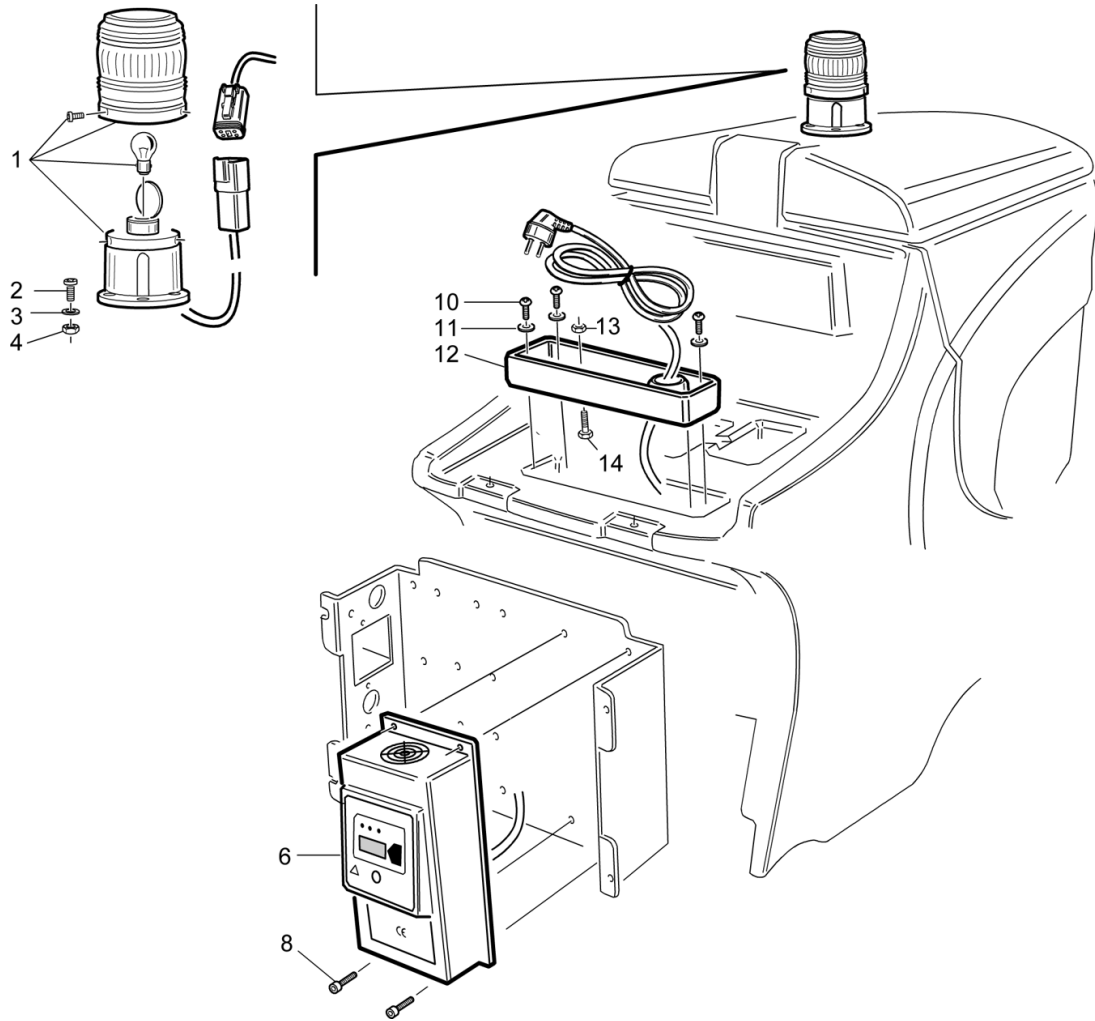
Ref. K	Part N.	Customer Part N.	Description	Qty	Validity:		Price
					From	To	
0001	LAFN06376		PLATE 700	1,00			--
0002	MOCC00161		MOTOR.GEARBOX 300W	2,00			--
0003	VTVR16617		KEY 6X 6X30 UNI 6604	2,00			--
0004	ABGO00019		VIBRATION DAMP.40x30 M8x2845 SH	2,00			--
0005	VTRS15146		WASHER D. 8 INX GRW UNI 1751	2,00			--
0006	MLML00241		SPRING TESTATA SPAZZOLA P185	1,00			--
0007	LAFN06369		PLANE DX 700	1,00			--
0008	LAFN06839		PLANE SX 700	1,00			--
0009	VTDD01694		NUT M 6 INX	10,00			--
0010	VTVT15143		SCREW TE 6X16 UNI5739	10,00			--
0011	LAFN06361		SHEET METAL PA.FLAP	1,00			--
0012	MPVR05222		FLAP DX	1,00			--
0013	VTVT00469		SCREW TE M 12X 60 INX UNI 5739	4,00			--
0014	VTVT15907		SCREW TE 8X25 UNI5739 INX	4,00			--
0015	VTRS13947		WASHER D. 8 INX UNI 6592	8,00			--
0016	VTDD15521		NUT M 8 INX A2 UNI 5588	4,00			--
0017	LAFN07059		BRACKET FISSA RUOTA PARACOLPI	2,00			--
0018	VTVT21887		SCREW TCB-TC 4X10 8112	2,00			--
0019	MLML00230		SPRING ANTISGANCIO 70 X FLANGIA	2,00			--
0020	MFVR00133		FLANGE TRASC. SPAZZOLA	2,00			--
0021	SPPV47749		BRUSH NYLON 0.8 D.340 BT 7000	2,00			--
0022	LAFN04187		SPACER PER RIDUTTORE	2,00			--
0023	RTRT00502		WHEEL ANTIRIBALTAMENTO	2,00			--
0024	MPVR02894		ROLLER PARACOLPI	2,00			--
0025	VTRS13946		WASHER D. 8 X24 INX UNI 6593	2,00			--
0026	VTVT13938		SCREW TE 8X20 UNI5739 INX	2,00			--
0027	VTVT01118		SCREW TCEI M 8X16 ZC. UNI 5931	2,00			--
0028	VTRS13947		WASHER D. 8 INX UNI 6592	2,00			--
0029	LAFN06472		PIN RUOTA	2,00			--
0030	LAFN07060		SPACER RUOTA PARACOLPI	2,00			--
0031	VTVT77509		SCREW TE 8X60 UNI5739	2,00			--
0032	LAFN06368		CONVEYOR ACQUA	1,00			--
0033	VTDD01694		NUT M 6 INX	4,00			--
0034	VTVT15143		SCREW TE 6X16 UNI5739	4,00			--
0035	VTVT15143		SCREW TE 6X16 UNI5739	8,00			--
0036	VTVT13937		SCREW TE M 8X 30 INX UNI 5739	4,00			--
0037	VTRS13947		WASHER D. 8 INX UNI 6592	16,00			--
0038	LAFN04151		BUSHING X PARALLELOGRAMMA	8,00			--
0039	VTDD15521		NUT M 8 INX A2 UNI 5588	4,00			--



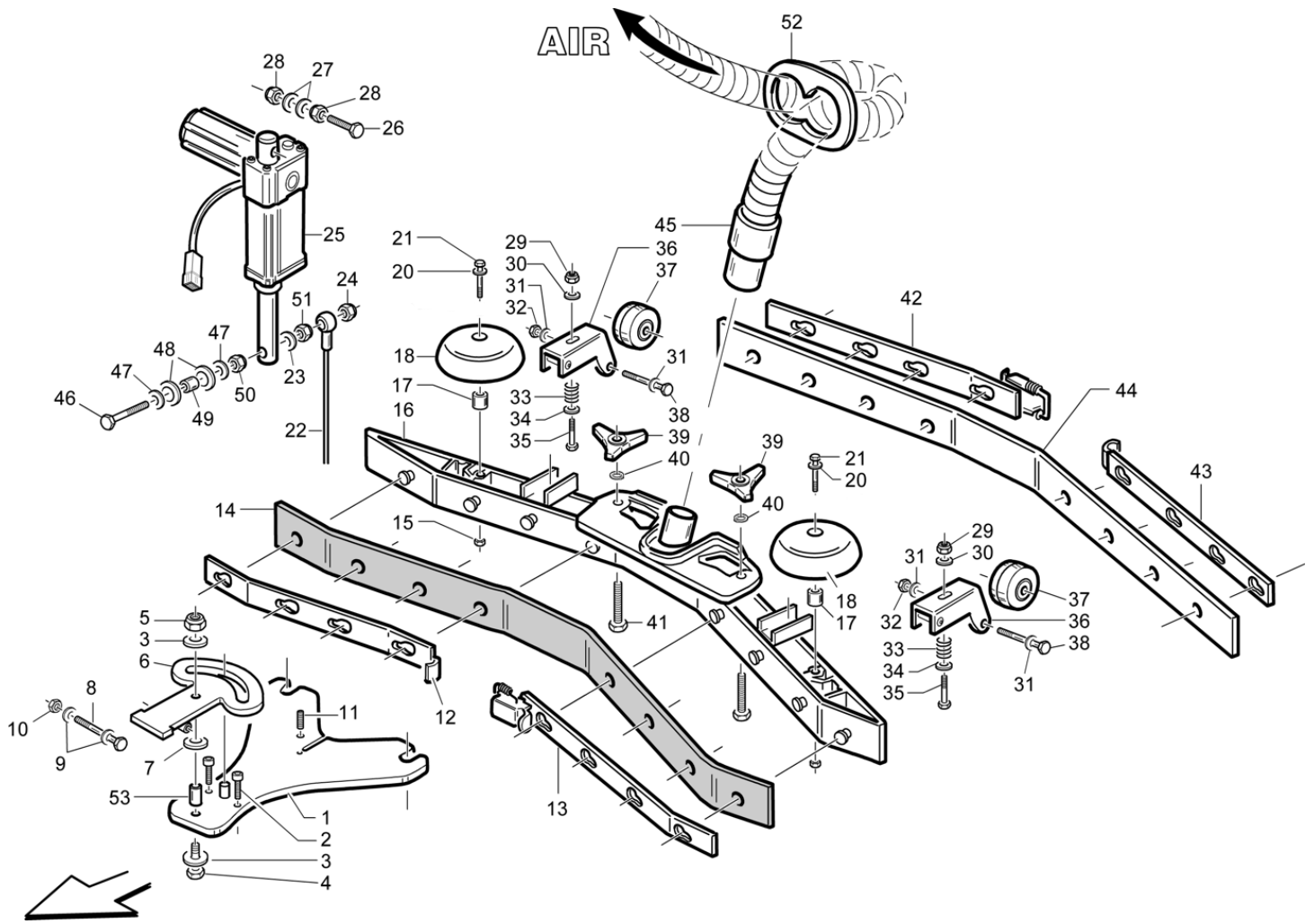
Ref. K	Part N.	Customer Part N.	Description	Qty	Validity:		Price
					From	To	
0040	LAFN06370		LEVER PARALLELOGRAMMA	4,00			--
0041	VTVT15142		SCREW TE M 6x45 INOX	2,00			--
0042	VTDD15518		NUT M 6 INX	1,00			--
0043	LAFN05781		ARM ATTUATORE	1,00			--
0044	VTAE13511		CIRCLIP D. 10 UNI 7435	2,00			--
0045	LAFN51065		PIN INFER.ATTUAT.TEST.	1,00			--
0046	VTVT13937		SCREW TE M 8X 30 INX UNI 5739	2,00			--
0047	VTRS13947		WASHER D. 8 INX UNI 6592	8,00			--
0048	VTDD01696		NUT M 8 INX	4,00			--
0049	VTRS13947		WASHER D. 8 INX UNI 6592	8,00			--
0050	VTVT13937		SCREW TE M 8X 30 INX UNI 5739	2,00			--
0051	LAFN06383		ARM TESTATA	1,00			--
0052	VTRS13947		WASHER D. 8 INX UNI 6592	2,00			--
0053	VTDD01694		NUT M 6 INX	2,00			--
0054	VTDD15521		NUT M 8 INX A2 UNI 5588	1,00			--
0055	VTRS13946		WASHER D. 8 X24 INX UNI 6593	2,00			--
0056	VTVT00410		SCREW TE M8x35 UNI5739 INOX	1,00			--
0057	MOCC00323		ATUATOR	1,00			--
0058	TBFX48011		TUBE FLEX D.12X3 ARMORV.PVC TR	0,18			--
0059	RCVR45752		HOSE FITTING "L" 3/8M - D.10 PLS.	1,00			--
0060	MEEV00018		SOLENOID VALVE	1,00			--
0061	GUGO00268		GASKET D.21 SP.3 GOMMA	1,00			--
0062	RCVR00353		CAP 1/2"G X ELETTRIV. ACL	1,00			--
0063	LAFN05835		BRACKET PORTAELETTRIVALVOLA	1,00			--
0064	VTVT15906		SCREW TE 6X 12 A2 UNI 5739	1,00			--
0065	VTRS13946		WASHER D. 8 X24 INX UNI 6593	2,00			--
0066	VTDD15518		NUT M 6 INX	1,00			--
0067	VTDD15925		NUT M 4 INX	2,00			--
0068	VTDD01694		NUT M 6 INX	2,00			--
0069	VTVT00817		SCREW TE M4x12 UNI 5739 INOX	2,00			--
0070	GUGO36290		O-RING D. 17.04 X 3.53 NBR 70SH	2,00			--
0071	GUGO00427		GASKET -	1,00			--
0072	RCVR00540		CONNECTOR	1,00			--
0073	FTAC00038		FILTER IN LINEA	1,00			--
0074	VTVT00699		SCREW TE M. 6-70	2,00			--
0075	VTRS13945		WASHER D. 6X18 INX UNI 6593	2,00			--
0076	RCGR00078		TAP -	1,00			--
0077	RCVR00744		CONNECTOR -	1,00			--
0078	TBFX48011		TUBE FLEX D.12X3 ARMORV.PVC TR	0,45			--



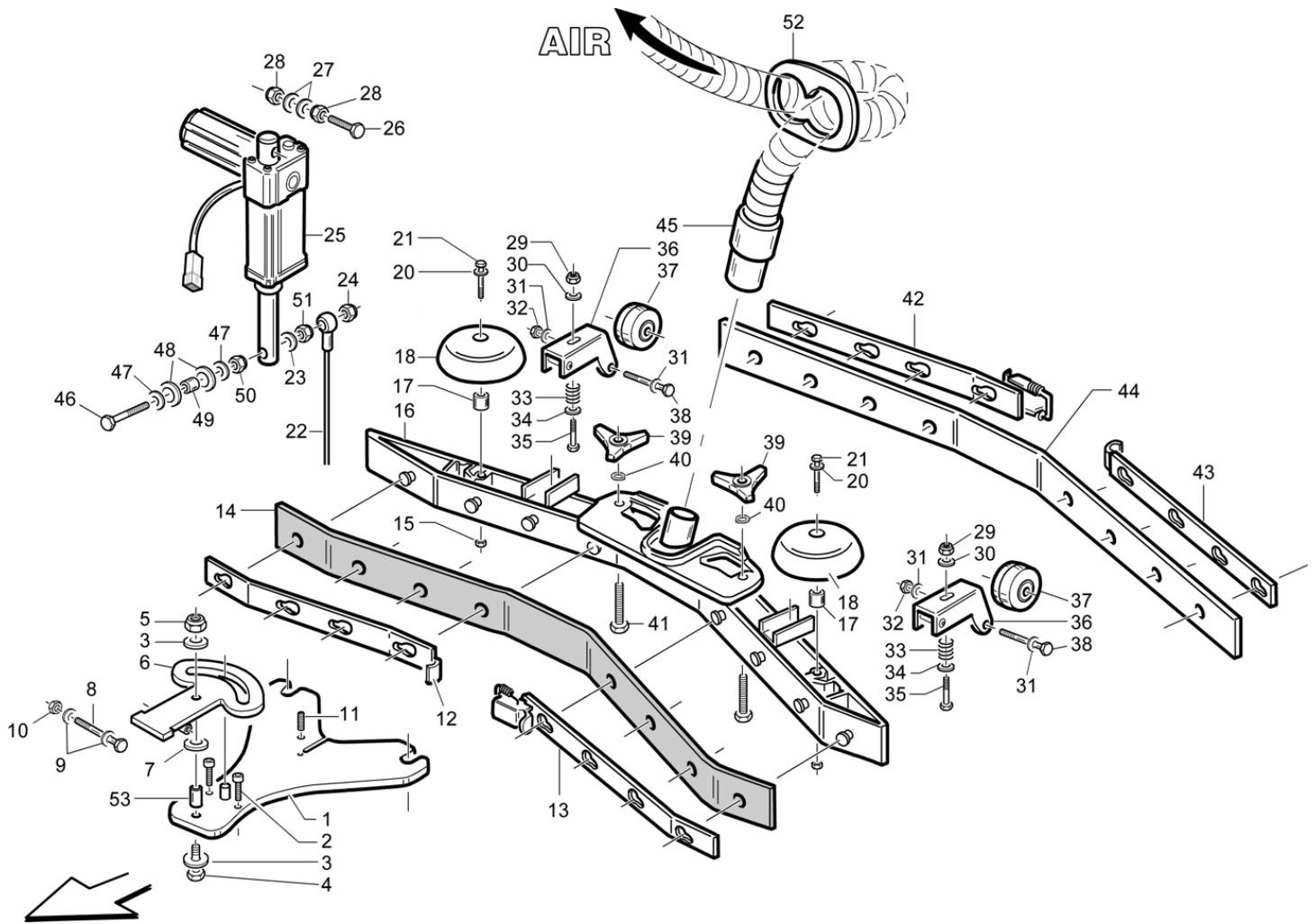
Ref. K	Part N.	Customer Part N.	Description	Qty	Validity:		Price
					From	To	
0079	MPVR05240		RING NUT G1/2	1,00			--
0080	VTRS05905		WASHER ZIGRINATA	8,00			--
0081	RCVR00109		CURVE 90°	1,00			--
0082	LAFN06361		SHEET METAL PA.FLAP	1,00			--
0083	MPVR05223		FLAP SX	1,00			--
0084	VTRS15978		WASHER D.12X24 UNI 6592 INX	2,00			--
0085	VTDD15521		NUT M 8 INX A2 UNI 5588	2,00			--
0086	VTRS13945		WASHER D. 6X18 INX UNI 6593	8,00			--
0087	VTRS15144		WASHER D. 6 INX GRW UNI 1751	8,00			--
0088	VTRS15146		WASHER D. 8 INX GRW UNI 1751	2,00			--



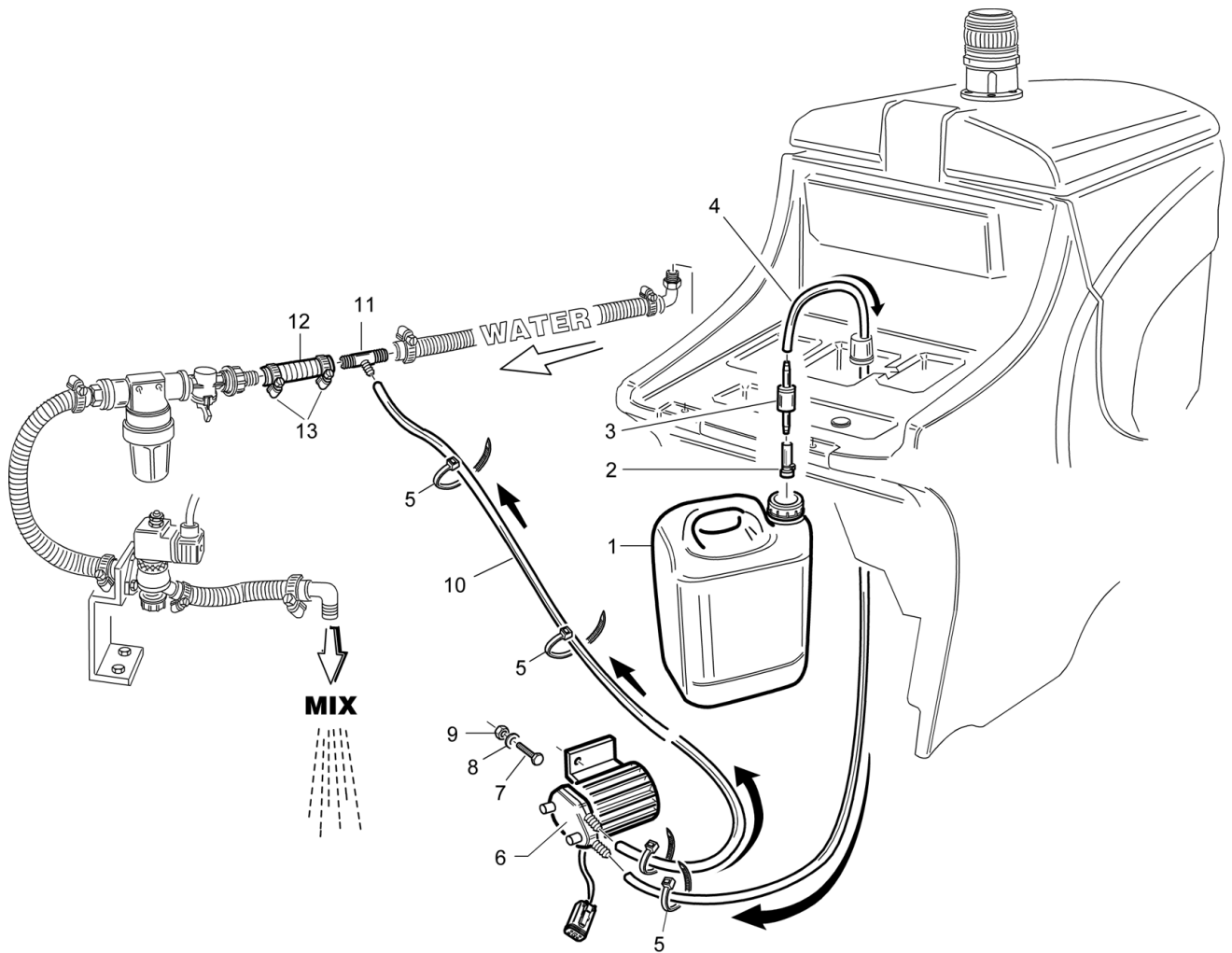
Ref. K	Part N.	Customer Part N.	Description	Qty	Validity:		Price
					From	To	
0001	MEVR00935		FLASHING LIGHT G1050	1,00			--
0006	BACA00117		BATTERY-CHARGER	1,00			--
0008	VTVT01300		SCREW TE M5X12 INOX	3,00			--
0010	VTVT07852		SCREW TCB-TC 4,8X16 BRN	4,00			--
0011	VTRS00516		WASHER D. 5 INX	4,00			--
0012	MPVR05213		CONTAINER -	1,00			--



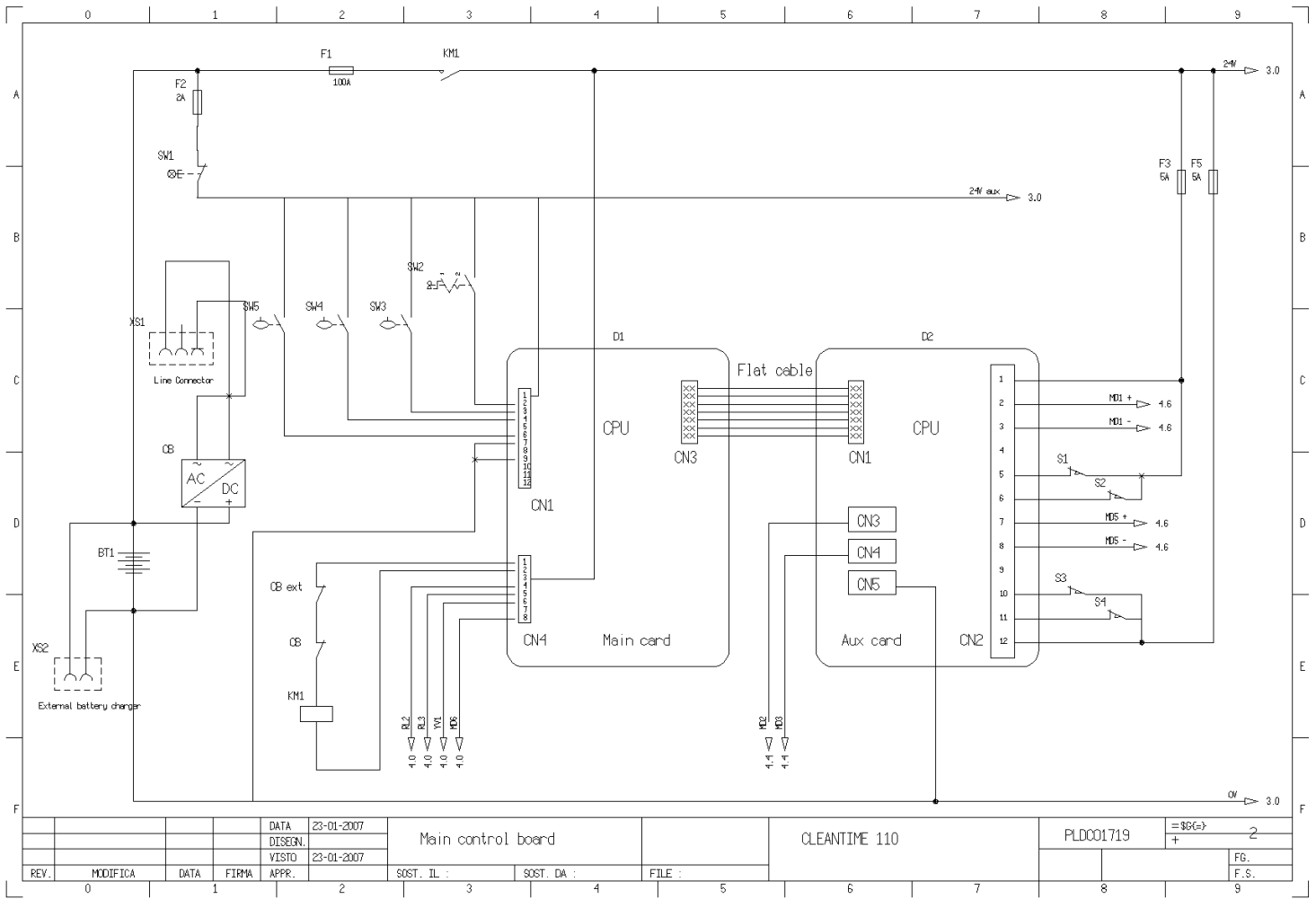
Ref.	K	Part N.	Customer Part N.	Description	Qty	Validity: From To	Price
0001		LAFN05631		PLATE	1,00		--
0002		VTVT00876		SCREW TCEI M.8-16	2,00		--
0003		VTRS13946		WASHER D. 8 X24 INX UNI 6593	1,00		--
0004		VTVT00410		SCREW TE M8x35 UNI5739 INOX	1,00		--
0005		VTDD01695		NUT M 8 INX	1,00		--
0006		LAFN05599		SUPPORT	1,00		--
0007		VTRS43258		WASHER D.13X24 X2.5 NYL UNI6592	1,00		--
0008		VTVT77509		SCREW TE 8X60 UNI5739	1,00		--
0009		VTRS13947		WASHER D. 8 INX UNI 6592	2,00		--
0010		VTDD01695		NUT M 8 INX	1,00		--
0011		VTVT01200		GRUB SCREW M8 X 16 INOX	1,00		--
0012		LAFN51046		LAMINATION BLOCCA LAMA ANTER.DX "L"	1,00		--
0013		LAFN51047		LAMINATION BLOCCA LAMA ANTER.SX "L"	1,00		--
0014		MPVR48380		RUBBER BLADE LAV. 890	1,00		--
0015		VTDD15520		NUT M 6 A2 UNI 5588 INX	2,00		--
0016		MFVR00140		BODY SQUEEGEE PRESSOFUSO	1,00		--
0017		LAFN51074		PIN PARACOLPI	2,00		--
0018		MPVR02894		ROLLER PARACOLPI	2,00		--
0020		VTRS15144		WASHER D. 6 INX GRW UNI 1751	2,00		--
0021		VTVT15916		SCREW TE M 8X 16 UNI 5739 A2	2,00		--
0022		CMCV00426		CABLE CT 110	1,00		--
0023		VTRS15144		WASHER D. 6 INX GRW UNI 1751	2,00		--
0024		VTDD01694		NUT M 6 INX	2,00		--
0025		MOCC00322		ATUATOR	1,00		--
0026		VTVT15917		SCREW TE M 8X50 INOX A2 UNI	1,00		--
0027		VTRS13947		WASHER D. 8 INX UNI 6592	2,00		--
0028		VTDD01695		NUT M 8 INX	2,00		--
0029		VTDD01695		NUT M 8 INX	2,00		--
0030		VTRS13947		WASHER D. 8 INX UNI 6592	4,00		--
0031		VTRS13947		WASHER D. 8 INX UNI 6592	2,00		--
0032		VTDD15520		NUT M 6 A2 UNI 5588 INX	4,00		--
0033		MLML49422		SPRING D.15X 45 X1	2,00		--
0034		VTRS13947		WASHER D. 8 INX UNI 6592	2,00		--
0035		VTVT01304		SCREW M 8X 40 TTQST UNI 5731	2,00		--
0036		LAFN05559		SUPPORT RUOTINO	2,00		--
0037		RTRT49413		WHEEL D. 60-D.15 X36 NYL.	2,00		--
0038		VTVT15515		SCREW TE M 6X 50 INOX A2	2,00		--
0039		MPVR04164		HANDWHEEL M8 FILETTO PASSANTE	2,00		--
0040		VTAE00074		CIRCLIP D8	2,00		--



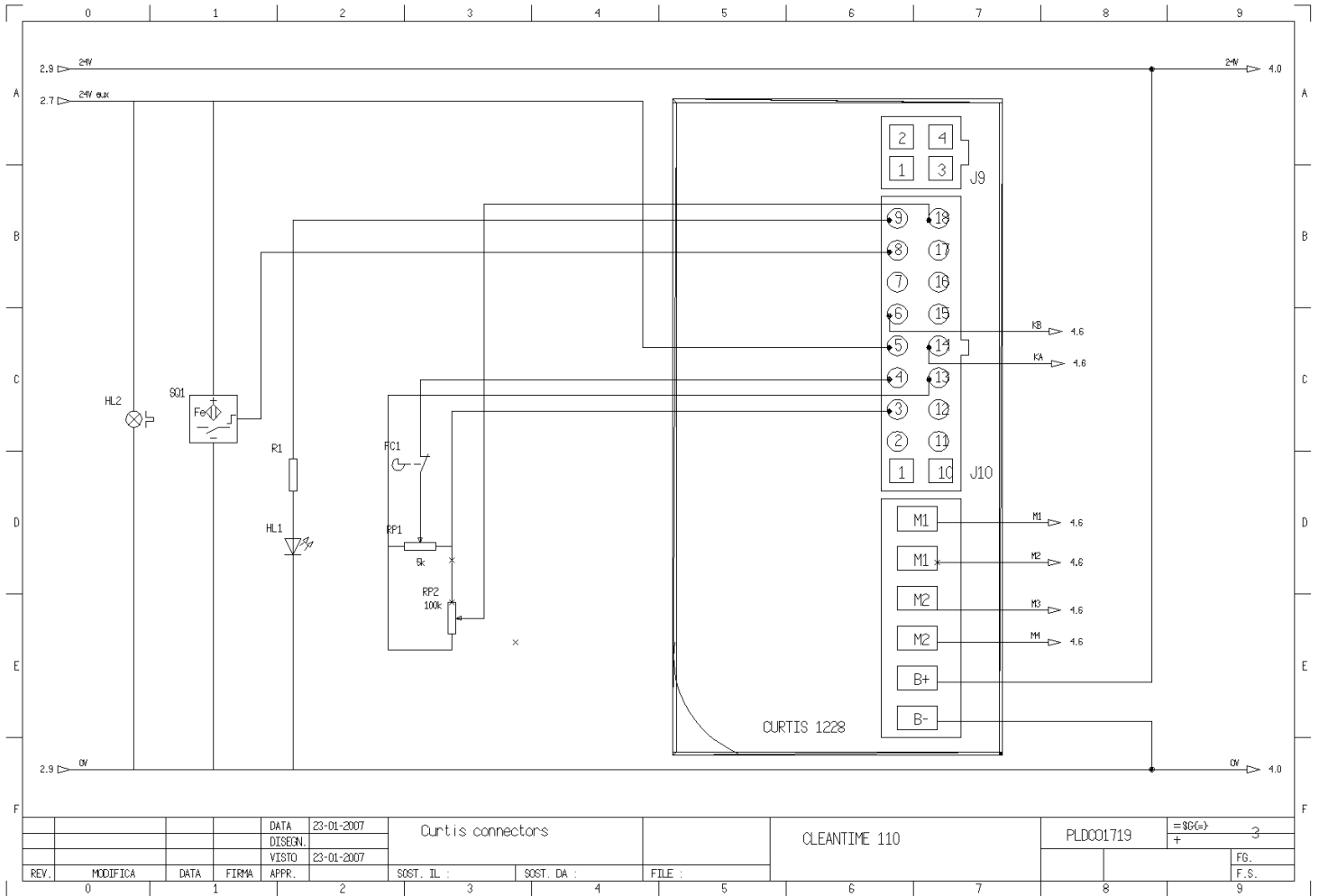
Ref. K	Part N.	Customer Part N.	Description	Qty	Validity:		Price
					From	To	
0041	VTVT01050		SCREW TE M 8X30 INX UNI 5737	2,00			--
0042	LAFN05675		BLADE HOLDER POSTERIORE DX (L)	1,00			--
0043	LAFN05674		BLADE HOLDER POSTERIORE SX (L)	1,00			--
0044	MPVR48379		RUBBER BLADE LAV. 890 PARA	1,00			--
0045	TBBP00402		TUBE TERGI D.40	1,00			--
0046	VTVT17342		SCREW TE M 6X 60 UNI 5739 INX	1,00			--
0047	VTRS07728		WASHER D. 6 INX	3,00			--
0048	VTRS13947		WASHER D. 8 INX UNI 6592	2,00			--
0049	LAFN03840		BUSHING	1,00			--
0050	VTDD15518		NUT M 6 INX	1,00			--
0051	VTDD15518		NUT M 6 INX	1,00			--
0053	LAFN35608		SPACER S. BLOCK BT 530	1,00			--



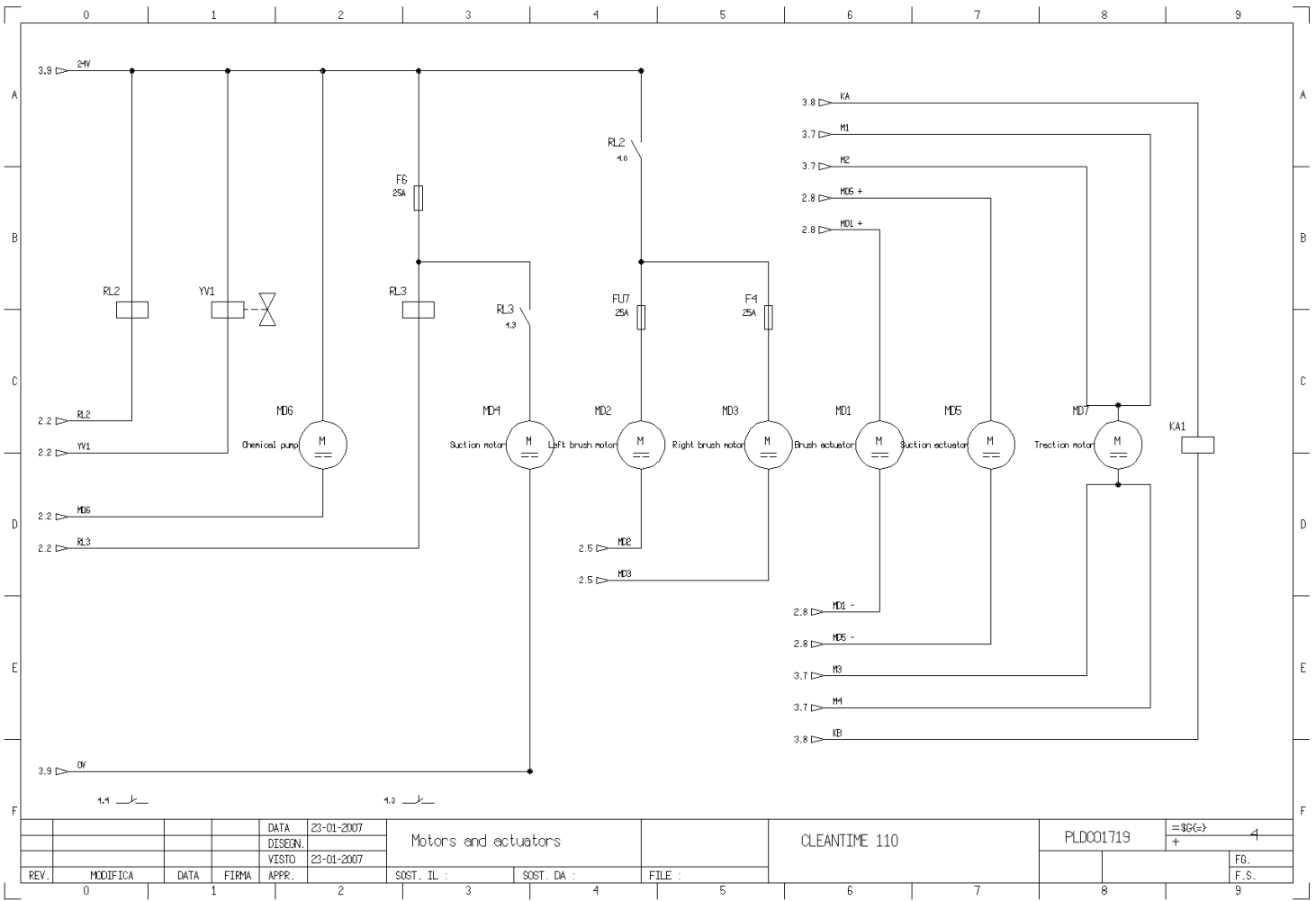
Ref. K	Part N.	Customer Part N.	Description	Qty	Validity:		Price
					From	To	
0002	MPVR05275		REDUCTION UNIT CT110	1,00			--
0003	RCGR00079		VALVE -	1,00			--
0004	TBBP00003		TUBE CRISTALLO 6X9	0,11			--
0005	FSVR00052		CLAMP 2,5X100	5,00			--
0006	PPBP00050		PUMP GRPQ24 24V	1,00			--
0007	VTVT01300		SCREW TE M5X12 INOX	2,00			--
0008	VTRS00516		WASHER D. 5 INX	2,00			--
0009	VTDD15517		NUT M 5 INX	2,00			--
0010	TBBP00003		TUBE CRISTALLO 6X9	0,10			--
0011	RCVR00745		CONNECTOR TRS 12-6-12	1,00			--
0012	TBFX48011		TUBE FLEX D.12X3 ARMORV.PVC TR	0,10			--
0013	FSVR00091		CLAMP 14-24	2,00			--



Ref.	K	Part N.	Customer Part N.	Description	Qty	Validity:		Price
						From	To	
00CB		BACA00117		BATTERY-CHARGER	1,00			--
00D1		MECE00451		BOARD	1,00			--
00F1		MEVR00145		FUSE 100A	1,00			--
00F2		MEVR01428		FUSE A LAMA 2 A. UNIVAL	1,00			--
00F3		MEVR00565		FUSE 5A	1,00			--
00F4		MEVR00379		FUSE RESETTABLE 25A -ETA-	1,00			--
00F5		MEVR00565		FUSE 5A	1,00			--
00F6		MEVR00379		FUSE RESETTABLE 25A -ETA-	1,00			--
00S1		MOCC00317		ATUATOR	1,00			--
00S2		MOCC00317		ATUATOR	1,00			--
00S3		MOCC00318		ATUATOR	1,00			--
00S4		MOCC00318		ATUATOR	1,00			--
0FC1		MEVR00148		DASHBOARD SEDILE G1050	1,00			--
0FU7		MEVR00379		FUSE RESETTABLE 25A -ETA-	1,00			--
0HL2		MEVR00935		FLASHING LIGHT G1050	1,00			--
0KM1		METT00056		CONTACTOR T-106	1,00			--
0MD1		MOCC00317		ATUATOR	1,00			--
0MD4		MOCC00273		MOTOR 3 ST.24V 116598-13	1,00			--
0MD5		MOCC00318		ATUATOR	1,00			--
0MD7		MOCC00316		MOTOR MR240-01 M420	1,00			--
0RL2		METT00056		CONTACTOR T-106	1,00			--
0RL3		METT00056		CONTACTOR T-106	1,00			--
0RP2		MEVR01941		POTENTIOMETER 100K	1,00			--
0SQ1		MECI00405		SENSOR -	1,00			--
0SW1		MECI00341		BUTTON DI EMERGENZA P185	1,00			--
0SW2		MECI00340		SWITCH A CHIAVE X MOT.BATT.P185	1,00			--
0SW3		MECI00516		SENSOR DI LIVELLO ORIZZONTALE	1,00			--
0SW4		MECI00516		SENSOR DI LIVELLO ORIZZONTALE	1,00			--
0SW5		MECI00516		SENSOR DI LIVELLO ORIZZONTALE	1,00			--
0YV1		MEEV00018		SOLENOID VALVE	1,00			--



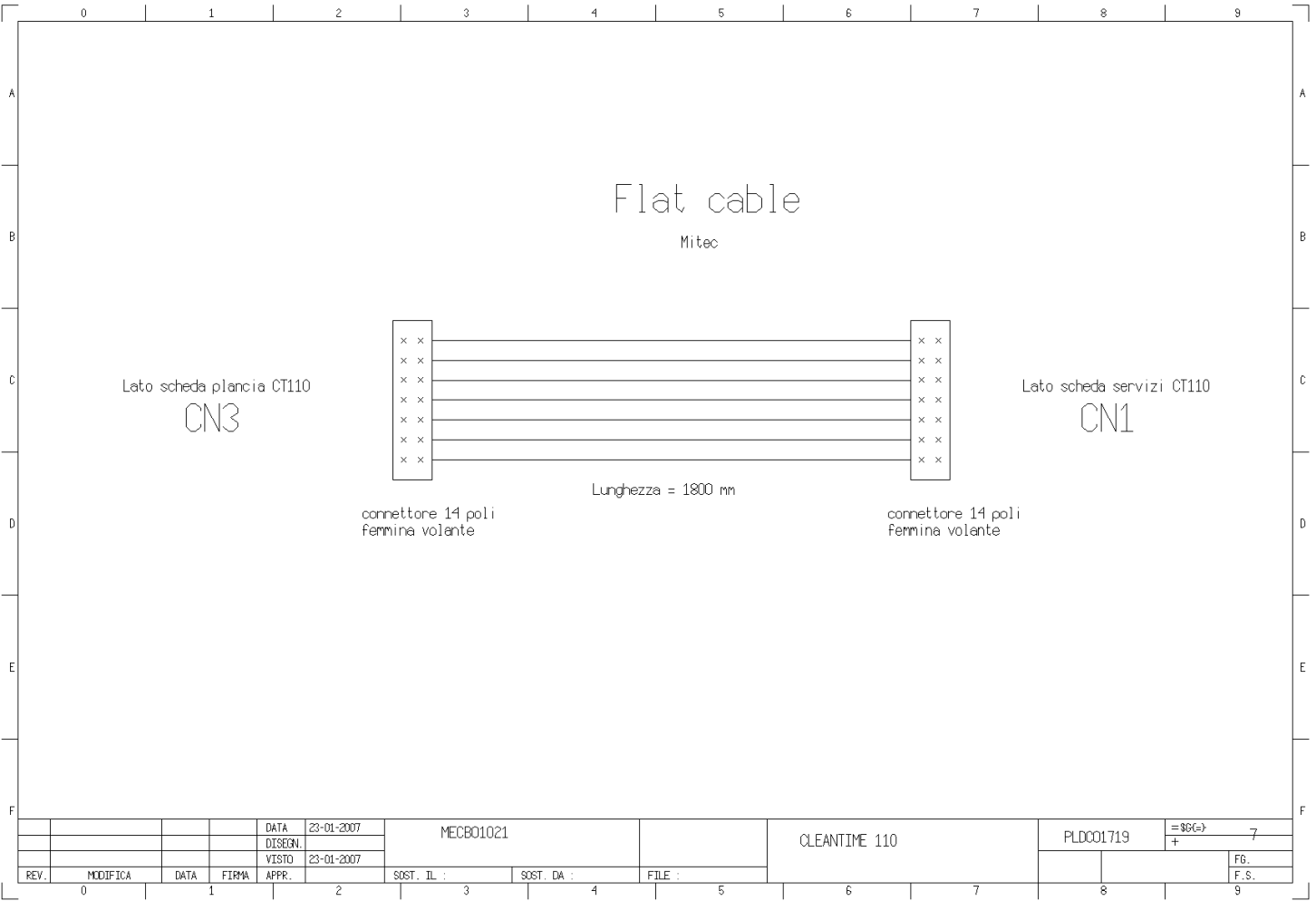
Ref.	K	Part N.	Customer Part N.	Description	Qty	Validity:	From	To	Price
00CB		BACA00117		BATTERY-CHARGER	1,00				--
00D1		MECE00451		BOARD	1,00				--
00F1		MEVR00145		FUSE 100A	1,00				--
00F2		MEVR01428		FUSE A LAMA 2 A. UNIVAL	1,00				--
00F3		MEVR00565		FUSE 5A	1,00				--
00F4		MEVR00379		FUSE RESETTABLE 25A -ETA-	1,00				--
00F5		MEVR00565		FUSE 5A	1,00				--
00F6		MEVR00379		FUSE RESETTABLE 25A -ETA-	1,00				--
00S1		MOCC00317		ATUATOR	1,00				--
00S2		MOCC00317		ATUATOR	1,00				--
00S3		MOCC00318		ATUATOR	1,00				--
00S4		MOCC00318		ATUATOR	1,00				--
0FC1		MEVR00148		DASHBOARD SEDILE G1050	1,00				--
0FU7		MEVR00379		FUSE RESETTABLE 25A -ETA-	1,00				--
0HL2		MEVR00935		FLASHING LIGHT G1050	1,00				--
0KM1		METT00056		CONTACTOR T-106	1,00				--
0MD1		MOCC00317		ATUATOR	1,00				--
0MD4		MOCC00273		MOTOR 3 ST.24V 116598-13	1,00				--
0MD5		MOCC00318		ATUATOR	1,00				--
0MD7		MOCC00316		MOTOR MR240-01 M420	1,00				--
0RL2		METT00056		CONTACTOR T-106	1,00				--
0RL3		METT00056		CONTACTOR T-106	1,00				--
0RP2		MEVR01941		POTENTIOMETER 100K	1,00				--
0SQ1		MECI00405		SENSOR -	1,00				--
0SW1		MECI00341		BUTTON DI EMERGENZA P185	1,00				--
0SW2		MECI00340		SWITCH A CHIAVE X MOT.BATT.P185	1,00				--
0SW3		MECI00516		SENSOR DI LIVELLO ORIZZONTALE	1,00				--
0SW4		MECI00516		SENSOR DI LIVELLO ORIZZONTALE	1,00				--
0SW5		MECI00516		SENSOR DI LIVELLO ORIZZONTALE	1,00				--
0YV1		MEEV00018		SOLENOID VALVE	1,00				--



Ref.	K	Part N.	Customer Part N.	Description	Qty	Validity:	From	To	Price
00CB		BACA00117		BATTERY-CHARGER	1,00				--
00D1		MECE00451		BOARD	1,00				--
00F1		MEVR00145		FUSE 100A	1,00				--
00F2		MEVR01428		FUSE A LAMA 2 A. UNIVAL	1,00				--
00F3		MEVR00565		FUSE 5A	1,00				--
00F4		MEVR00379		FUSE RESETTABLE 25A -ETA-	1,00				--
00F5		MEVR00565		FUSE 5A	1,00				--
00F6		MEVR00379		FUSE RESETTABLE 25A -ETA-	1,00				--
00S1		MOCC00317		ATUATOR	1,00				--
00S2		MOCC00317		ATUATOR	1,00				--
00S3		MOCC00318		ATUATOR	1,00				--
00S4		MOCC00318		ATUATOR	1,00				--
0FC1		MEVR00148		DASHBOARD SEDILE G1050	1,00				--
0FU7		MEVR00379		FUSE RESETTABLE 25A -ETA-	1,00				--
0HL2		MEVR00935		FLASHING LIGHT G1050	1,00				--
0KM1		METT00056		CONTACTOR T-106	1,00				--
0MD1		MOCC00317		ATUATOR	1,00				--
0MD4		MOCC00273		MOTOR 3 ST.24V 116598-13	1,00				--
0MD5		MOCC00318		ATUATOR	1,00				--
0MD7		MOCC00316		MOTOR MR240-01 M420	1,00				--
0RL2		METT00056		CONTACTOR T-106	1,00				--
0RL3		METT00056		CONTACTOR T-106	1,00				--
0RP2		MEVR01941		POTENTIOMETER 100K	1,00				--
0SQ1		MECI00405		SENSOR -	1,00				--
0SW1		MECI00341		BUTTON DI EMERGENZA P185	1,00				--
0SW2		MECI00340		SWITCH A CHIAVE X MOT.BATT.P185	1,00				--
0SW3		MECI00516		SENSOR DI LIVELLO ORIZZONTALE	1,00				--
0SW4		MECI00516		SENSOR DI LIVELLO ORIZZONTALE	1,00				--
0SW5		MECI00516		SENSOR DI LIVELLO ORIZZONTALE	1,00				--
0YV1		MEEV00018		SOLENOID VALVE	1,00				--

0	1	2	3	4	5	6	7	8	9																																																																																																																																																
<table border="1"> <thead> <tr> <th>Sim.\Syn.</th><th>Sigla\Item</th><th>Funzione\Use</th><th>Type</th><th>Sim.\Syn.</th><th>Sigla\Item</th><th>Funzione\Use</th><th>Type</th><th>Sim.\Syn.</th><th>Sigla\Item</th><th>Funzione\Use</th><th>Type</th> </tr> </thead> <tbody> <tr> <td></td><td>BT1 =06 2</td><td>Battery 24V</td><td></td><td></td><td>FU7 =06 4</td><td>Fuse left brush</td><td></td><td></td><td>R1 =06 3</td><td>Resistor</td><td></td> </tr> <tr> <td></td><td>CB =06 2</td><td>OnBoard Battery charger (optional)</td><td></td><td></td><td>HL1 =06 3</td><td>Led</td><td></td><td></td><td>RL1 =06 2</td><td>Main contactor</td><td></td> </tr> <tr> <td></td><td>D1 =06 2</td><td>Main control board</td><td></td><td></td><td>HL2 =06 3</td><td>Rear Lamp (optional)</td><td></td><td></td><td>RL2 =06 4</td><td>Brush motor relay</td><td></td> </tr> <tr> <td></td><td>D2 =06 2</td><td>Auxiliary control card</td><td></td><td></td><td>KA1 =06 4</td><td>Brake</td><td></td><td></td><td>RL3 =06 4</td><td>Suction motor relay</td><td></td> </tr> <tr> <td></td><td>F1 =06 2</td><td>Fuse 24V main line</td><td></td><td></td><td>MD1 =06 4</td><td>Brush actuator</td><td></td><td></td><td>RP1 =06 3</td><td>Traction potentiometer</td><td></td> </tr> <tr> <td></td><td>F2 =06 2</td><td>Fuse 24V aux line</td><td></td><td></td><td>MD2 =06 4</td><td>Left brush motor</td><td></td><td></td><td>RP2 =06 3</td><td>Speed reduction potentiometer</td><td></td> </tr> <tr> <td></td><td>F3 =06 2</td><td>Fuse linear actuator</td><td></td><td></td><td>MD3 =06 4</td><td>Right brush motor</td><td></td><td></td><td>S1 =06 2</td><td>Microswitch brush actuator UP</td><td></td> </tr> <tr> <td></td><td>F4 =06 4</td><td>Fuse night brush</td><td></td><td></td><td>MD4 =06 4</td><td>Suction motor</td><td></td><td></td><td>S2 =06 2</td><td>Microswitch brush actuator DN</td><td></td> </tr> <tr> <td></td><td>F5 =06 2</td><td>Fuse linear actuator</td><td></td><td></td><td>MD5 =06 4</td><td>Suction actuator</td><td></td><td></td><td>S3 =06 2</td><td>Microswitch suction actuator UP</td><td></td> </tr> <tr> <td></td><td>F6 =06 4</td><td>Fuse suction motor</td><td></td><td></td><td>MD6 =06 4</td><td>Chemical pump</td><td></td><td></td><td>S4 =06 2</td><td>Microswitch suction actuator DN</td><td></td> </tr> <tr> <td></td><td>FC1 =06 3</td><td>Seat microswitch</td><td></td><td></td><td>MD7 =06 4</td><td>Traction motor</td><td></td><td></td><td>SQ1 =06 3</td><td>Slow down inductive sensor</td><td></td> </tr> </tbody> </table>										Sim.\Syn.	Sigla\Item	Funzione\Use	Type	Sim.\Syn.	Sigla\Item	Funzione\Use	Type	Sim.\Syn.	Sigla\Item	Funzione\Use	Type		BT1 =06 2	Battery 24V			FU7 =06 4	Fuse left brush			R1 =06 3	Resistor			CB =06 2	OnBoard Battery charger (optional)			HL1 =06 3	Led			RL1 =06 2	Main contactor			D1 =06 2	Main control board			HL2 =06 3	Rear Lamp (optional)			RL2 =06 4	Brush motor relay			D2 =06 2	Auxiliary control card			KA1 =06 4	Brake			RL3 =06 4	Suction motor relay			F1 =06 2	Fuse 24V main line			MD1 =06 4	Brush actuator			RP1 =06 3	Traction potentiometer			F2 =06 2	Fuse 24V aux line			MD2 =06 4	Left brush motor			RP2 =06 3	Speed reduction potentiometer			F3 =06 2	Fuse linear actuator			MD3 =06 4	Right brush motor			S1 =06 2	Microswitch brush actuator UP			F4 =06 4	Fuse night brush			MD4 =06 4	Suction motor			S2 =06 2	Microswitch brush actuator DN			F5 =06 2	Fuse linear actuator			MD5 =06 4	Suction actuator			S3 =06 2	Microswitch suction actuator UP			F6 =06 4	Fuse suction motor			MD6 =06 4	Chemical pump			S4 =06 2	Microswitch suction actuator DN			FC1 =06 3	Seat microswitch			MD7 =06 4	Traction motor			SQ1 =06 3	Slow down inductive sensor	
Sim.\Syn.	Sigla\Item	Funzione\Use	Type	Sim.\Syn.	Sigla\Item	Funzione\Use	Type	Sim.\Syn.	Sigla\Item	Funzione\Use	Type																																																																																																																																														
	BT1 =06 2	Battery 24V			FU7 =06 4	Fuse left brush			R1 =06 3	Resistor																																																																																																																																															
	CB =06 2	OnBoard Battery charger (optional)			HL1 =06 3	Led			RL1 =06 2	Main contactor																																																																																																																																															
	D1 =06 2	Main control board			HL2 =06 3	Rear Lamp (optional)			RL2 =06 4	Brush motor relay																																																																																																																																															
	D2 =06 2	Auxiliary control card			KA1 =06 4	Brake			RL3 =06 4	Suction motor relay																																																																																																																																															
	F1 =06 2	Fuse 24V main line			MD1 =06 4	Brush actuator			RP1 =06 3	Traction potentiometer																																																																																																																																															
	F2 =06 2	Fuse 24V aux line			MD2 =06 4	Left brush motor			RP2 =06 3	Speed reduction potentiometer																																																																																																																																															
	F3 =06 2	Fuse linear actuator			MD3 =06 4	Right brush motor			S1 =06 2	Microswitch brush actuator UP																																																																																																																																															
	F4 =06 4	Fuse night brush			MD4 =06 4	Suction motor			S2 =06 2	Microswitch brush actuator DN																																																																																																																																															
	F5 =06 2	Fuse linear actuator			MD5 =06 4	Suction actuator			S3 =06 2	Microswitch suction actuator UP																																																																																																																																															
	F6 =06 4	Fuse suction motor			MD6 =06 4	Chemical pump			S4 =06 2	Microswitch suction actuator DN																																																																																																																																															
	FC1 =06 3	Seat microswitch			MD7 =06 4	Traction motor			SQ1 =06 3	Slow down inductive sensor																																																																																																																																															
<table border="1"> <tr> <td>DATA</td><td>23-01-2007</td><td colspan="4"></td><td>CLEANTIME 110</td><td>PLD001719</td><td>=06(-) +</td><td>S</td> </tr> <tr> <td>DISEGN.</td><td>VISTO</td><td>23-01-2007</td><td colspan="4"></td><td></td><td></td><td>FB.</td> </tr> <tr> <td>REV.</td><td>MODIFICA</td><td>DATA</td><td>FIRMA</td><td>APPR.</td><td>SOST. IL :</td><td>SOST. DA :</td><td>FILE :</td><td></td><td>F.S.</td> </tr> </table>										DATA	23-01-2007					CLEANTIME 110	PLD001719	=06(-) +	S	DISEGN.	VISTO	23-01-2007							FB.	REV.	MODIFICA	DATA	FIRMA	APPR.	SOST. IL :	SOST. DA :	FILE :		F.S.																																																																																																																		
DATA	23-01-2007					CLEANTIME 110	PLD001719	=06(-) +	S																																																																																																																																																
DISEGN.	VISTO	23-01-2007							FB.																																																																																																																																																
REV.	MODIFICA	DATA	FIRMA	APPR.	SOST. IL :	SOST. DA :	FILE :		F.S.																																																																																																																																																

Ref. K	Part N.	Customer Part N.	Description	Qty	Validity: From	To	Price
00CB	BACA00117		BATTERY-CHARGER	1,00			--
00D1	MECE00451		BOARD	1,00			--
00F1	MEVR00145		FUSE 100A	1,00			--
00F2	MEVR01428		FUSE A LAMA 2 A. UNIVAL	1,00			--
00F3	MEVR00565		FUSE 5A	1,00			--
00F4	MEVR00379		FUSE RESETTABLE 25A -ETA-	1,00			--
00F5	MEVR00565		FUSE 5A	1,00			--
00F6	MEVR00379		FUSE RESETTABLE 25A -ETA-	1,00			--
00S1	MOCC00317		ATUATOR	1,00			--
00S2	MOCC00317		ATUATOR	1,00			--
00S3	MOCC00318		ATUATOR	1,00			--
00S4	MOCC00318		ATUATOR	1,00			--
0FC1	MEVR00148		DASHBOARD SEDILE G1050	1,00			--
0FU7	MEVR00379		FUSE RESETTABLE 25A -ETA-	1,00			--
0HL2	MEVR00935		FLASHING LIGHT G1050	1,00			--
0KM1	METT00056		CONTACTOR T-106	1,00			--
0MD1	MOCC00317		ATUATOR	1,00			--
0MD4	MOCC00273		MOTOR 3 ST.24V 116598-13	1,00			--
0MD5	MOCC00318		ATUATOR	1,00			--
0MD7	MOCC00316		MOTOR MR240-01 M420	1,00			--
0RL2	METT00056		CONTACTOR T-106	1,00			--
0RL3	METT00056		CONTACTOR T-106	1,00			--
0RP2	MEVR01941		POTENTIOMETER 100K	1,00			--
0SQ1	MECI00405		SENSOR -	1,00			--
0SW1	MECI00341		BUTTON DI EMERGENZA P185	1,00			--
0SW2	MECI00340		SWITCH A CHIAVE X MOT.BATT.P185	1,00			--
0SW3	MECI00516		SENSOR DI LIVELLO ORIZZONTALE	1,00			--
0SW4	MECI00516		SENSOR DI LIVELLO ORIZZONTALE	1,00			--
0SW5	MECI00516		SENSOR DI LIVELLO ORIZZONTALE	1,00			--
0YV1	MEEV00018		SOLENOID VALVE	1,00			--



Ref.	K	Part N.	Customer Part N.	Description	Qty	Validity:		Price
						From	To	
00CB		BACA00117		BATTERY-CHARGER	1,00			--
00D1		MECE00451		BOARD	1,00			--
00F1		MEVR00145		FUSE 100A	1,00			--
00F2		MEVR01428		FUSE A LAMA 2 A. UNIVAL	1,00			--
00F3		MEVR00565		FUSE 5A	1,00			--
00F4		MEVR00379		FUSE RESETTABLE 25A -ETA-	1,00			--
00F5		MEVR00565		FUSE 5A	1,00			--
00F6		MEVR00379		FUSE RESETTABLE 25A -ETA-	1,00			--
00S1		MOCC00317		ATUATOR	1,00			--
00S2		MOCC00317		ATUATOR	1,00			--
00S3		MOCC00318		ATUATOR	1,00			--
00S4		MOCC00318		ATUATOR	1,00			--
0FC1		MEVR00148		DASHBOARD SEDILE G1050	1,00			--
0FU7		MEVR00379		FUSE RESETTABLE 25A -ETA-	1,00			--
0HL2		MEVR00935		FLASHING LIGHT G1050	1,00			--
0KM1		METT00056		CONTACTOR T-106	1,00			--
0MD1		MOCC00317		ATUATOR	1,00			--
0MD4		MOCC00273		MOTOR 3 ST.24V 116598-13	1,00			--
0MD5		MOCC00318		ATUATOR	1,00			--
0MD7		MOCC00316		MOTOR MR240-01 M420	1,00			--
0RL2		METT00056		CONTACTOR T-106	1,00			--
0RL3		METT00056		CONTACTOR T-106	1,00			--
0RP2		MEVR01941		POTENTIOMETER 100K	1,00			--
0SQ1		MECI00405		SENSOR -	1,00			--
0SW1		MECI00341		BUTTON DI EMERGENZA P185	1,00			--
0SW2		MECI00340		SWITCH A CHIAVE X MOT.BATT.P185	1,00			--
0SW3		MECI00516		SENSOR DI LIVELLO ORIZZONTALE	1,00			--
0SW4		MECI00516		SENSOR DI LIVELLO ORIZZONTALE	1,00			--
0SW5		MECI00516		SENSOR DI LIVELLO ORIZZONTALE	1,00			--
0YV1		MEEV00018		SOLENOID VALVE	1,00			--