



IPC Integrated Professional Cleaning

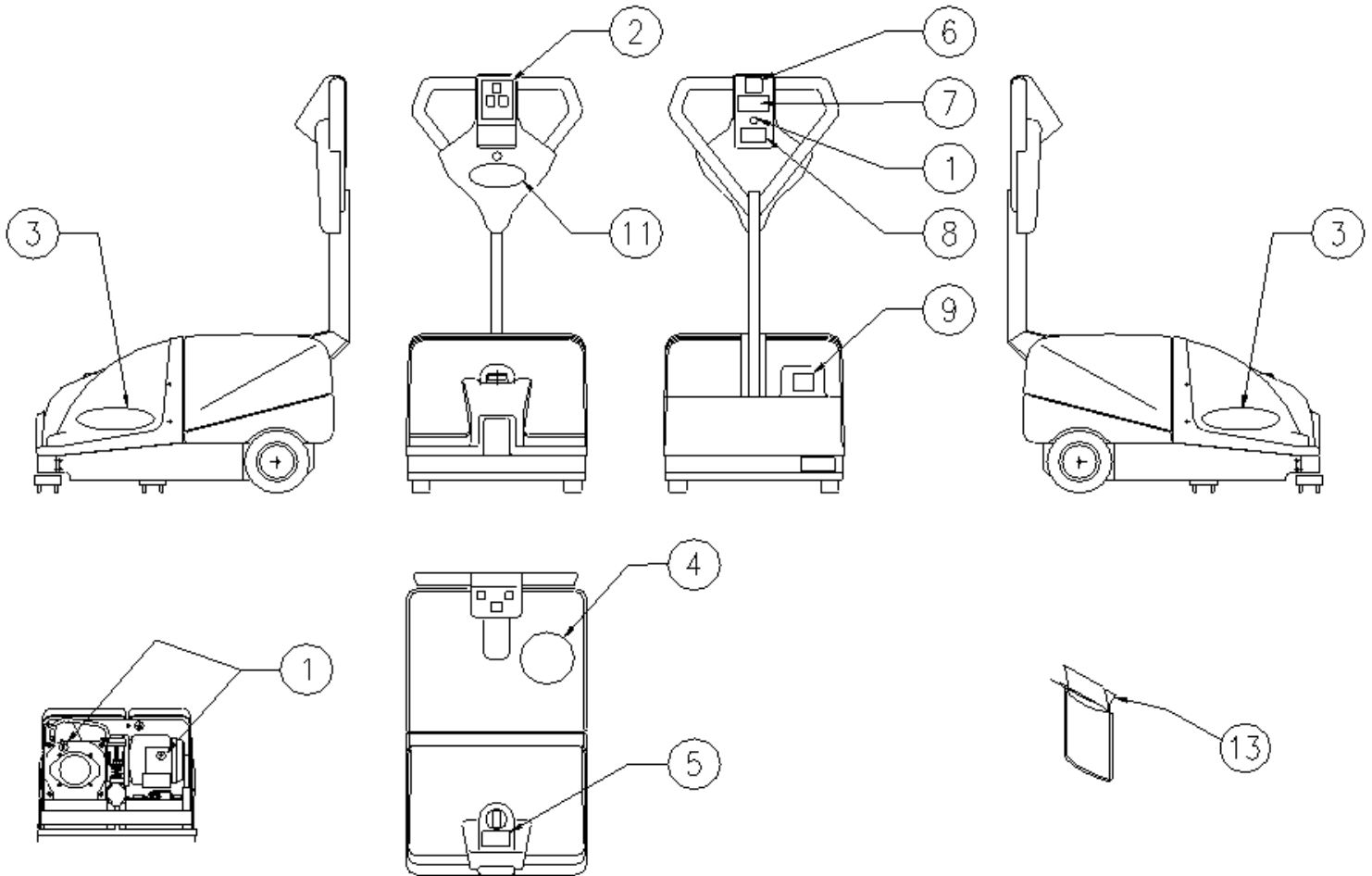
IPCGansow

Spare Parts List

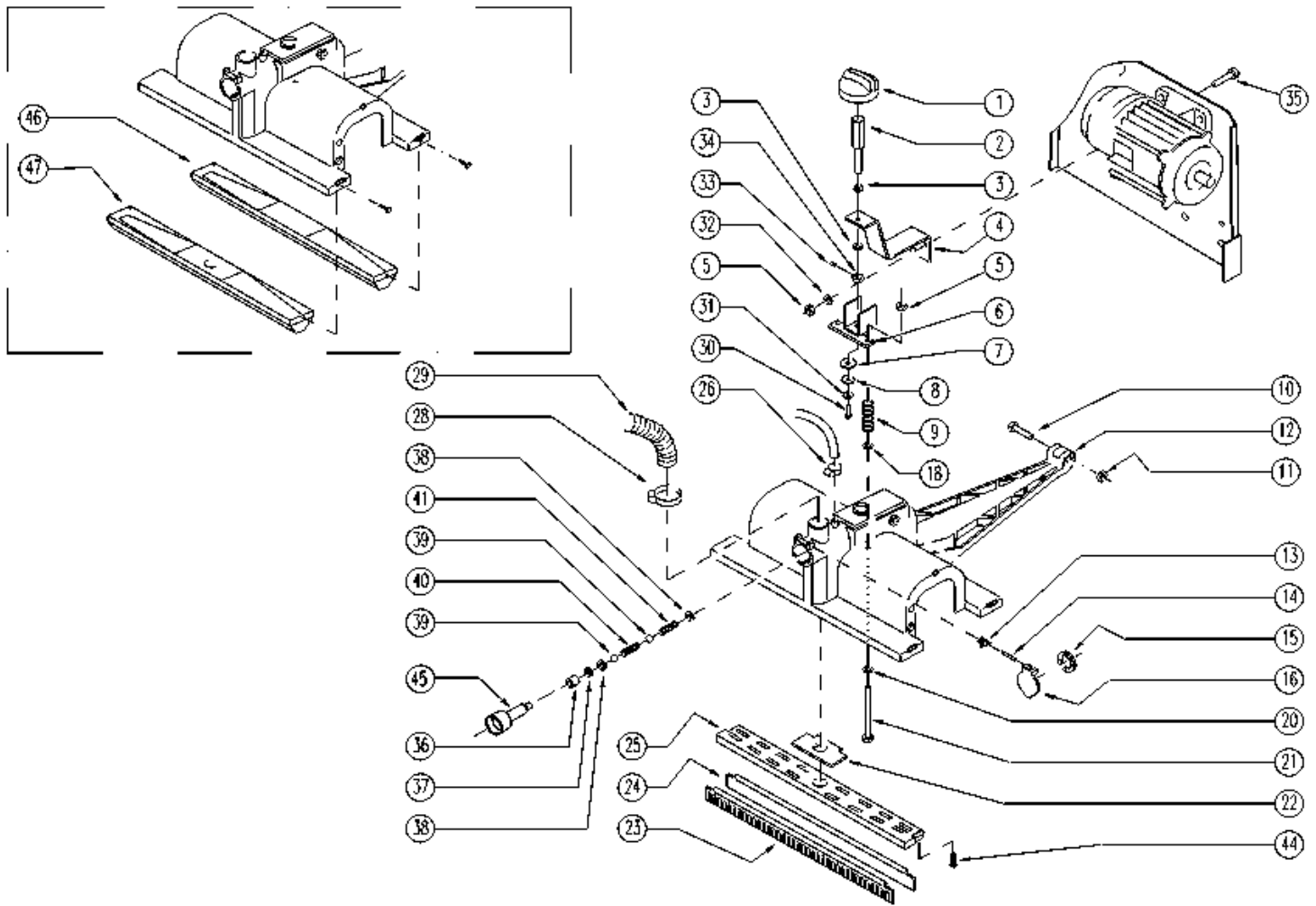
IPC . EAGLE

Ref: LPTE01016

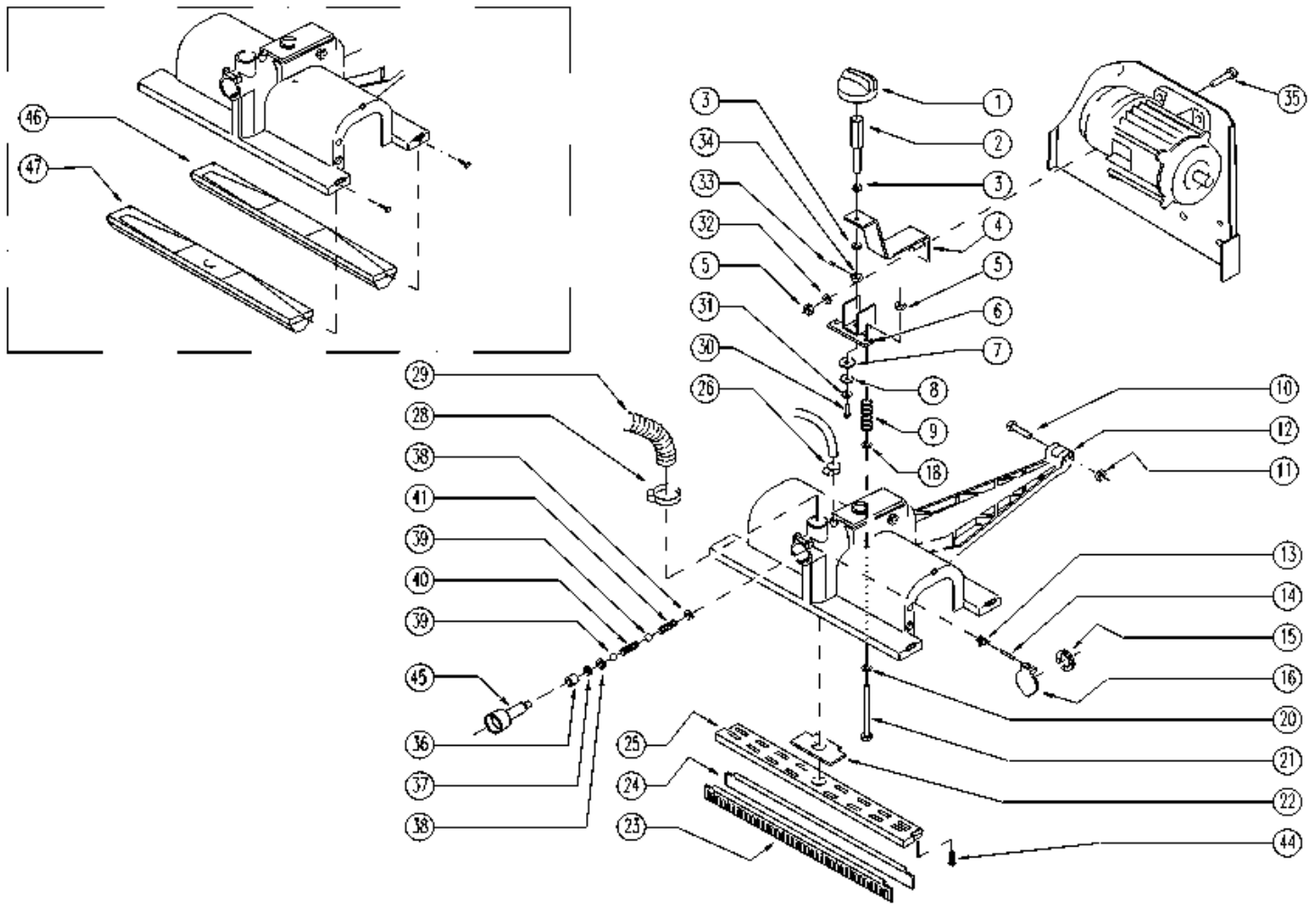
Model: CLEAN TIME 12



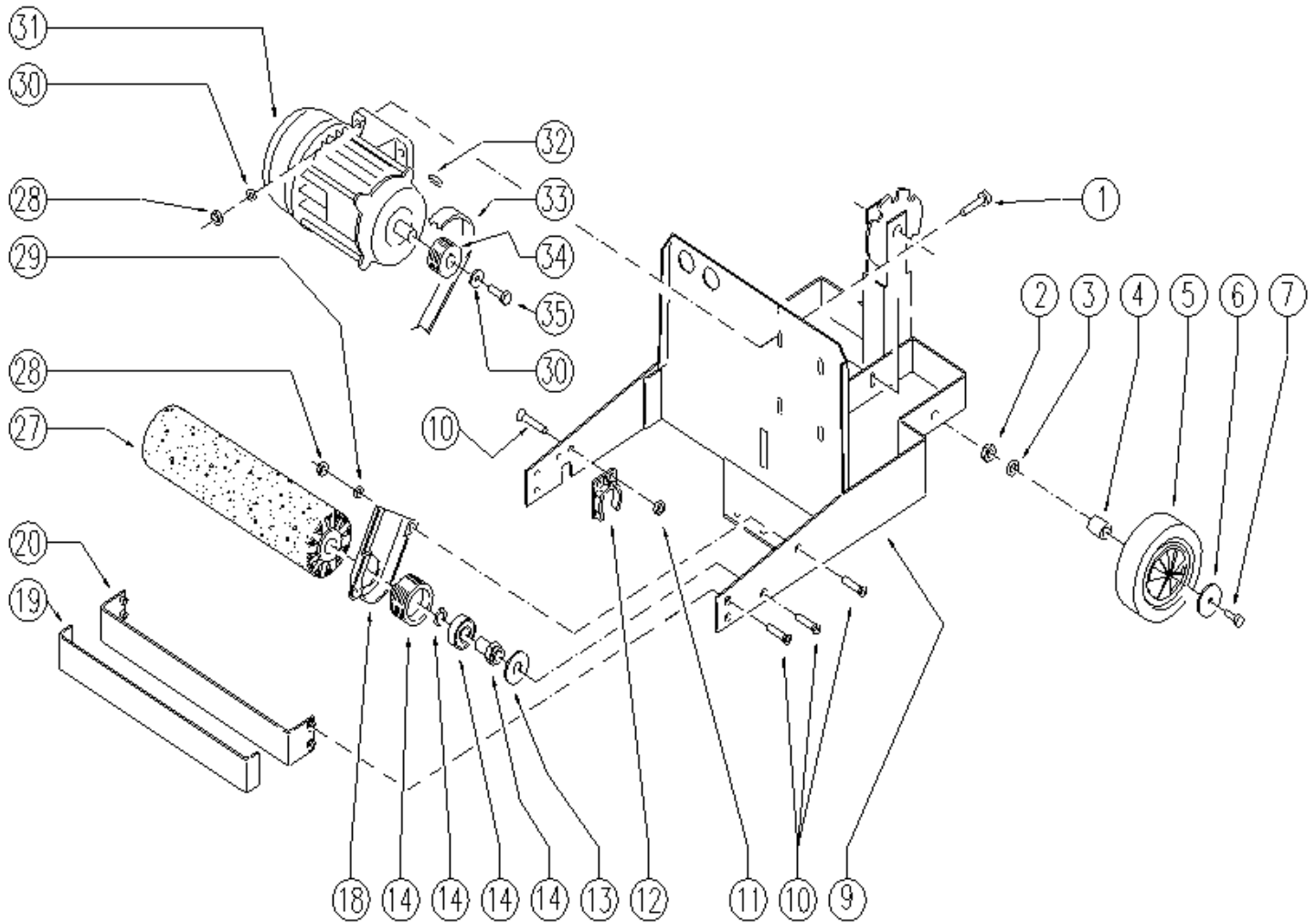
Ref. K	Part N.	Customer Part N.	Description	Qty	Validity:		Price
					From	To	
0001	ETET00905		ADHESIVE SIMBOLO DI TENSIONE	3,00	02/2004		--
0002	ETET00851		LABEL PANNELLO COM. 350	1,00			--
0003	ETET02008		LABEL CLT 12	2,00	06/2004		--
0004	ETET00688		LABEL SERB. ACQUA PULITA	1,00	02/2004		--
0005	ETET00794		LABEL COFANO PRESSIONE SQUEEGEE	1,00	02/2004		--
0006	ETET00895		ADHESIVE SIMBOLO LEGGERE IL MANUAL	1,00	02/2004		--
0007	ETET00704		ADHESIVE SCOLLEGAMENTO SPINA	1,00	02/2004		--
0008	ETET00763		LABEL SIMBOLO FUSIBILI	1,00	02/2004		--
0009	ETET00463		ADHESIVE SCARICO ACQUA	1,00	03/2004		--
0011	ETET02000		LABEL LOGO IPC	1,00			--



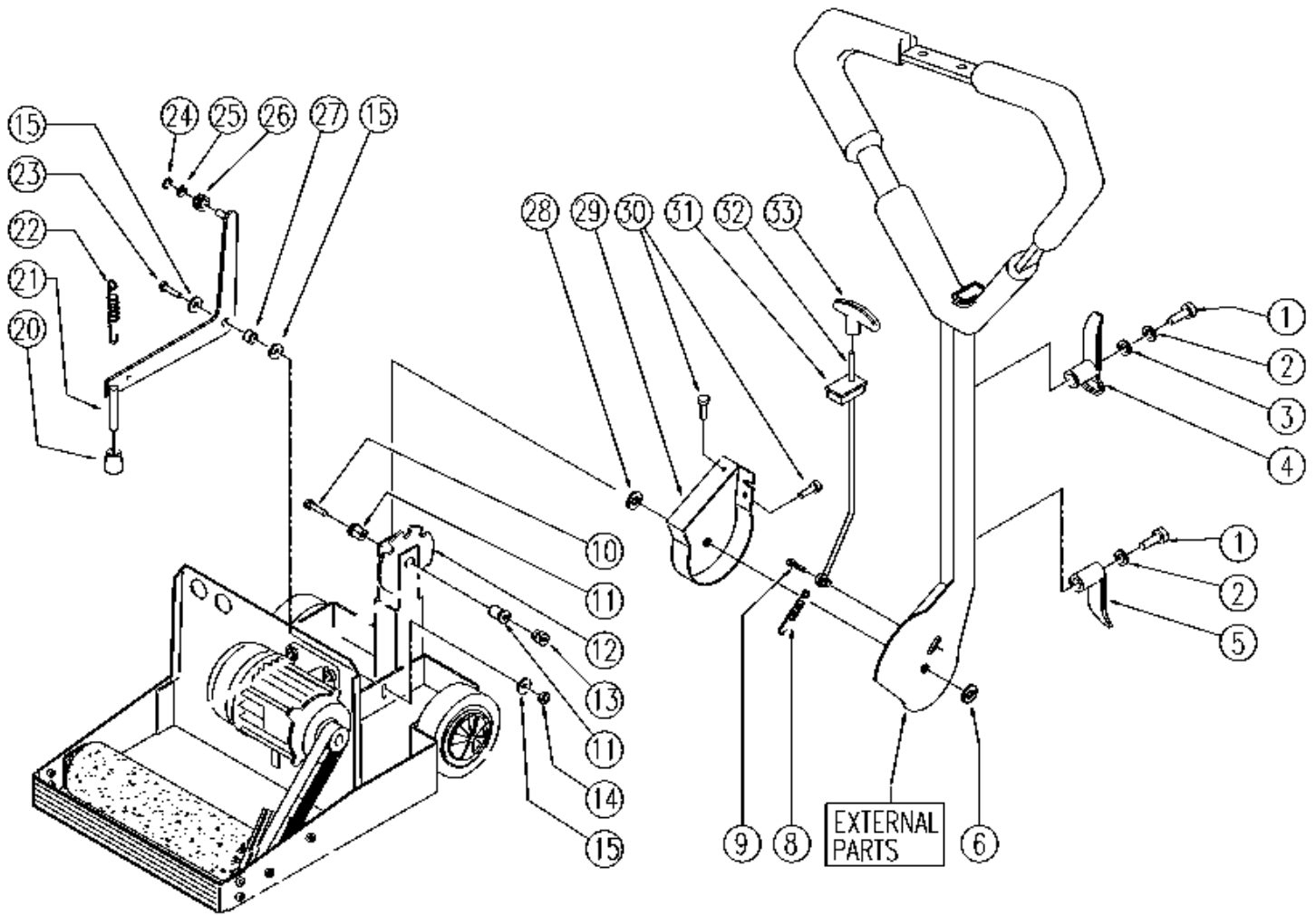
Ref. K	Part N.	Customer Part N.	Description	Qty	Validity:		Price
					From	To	
0001	MPVR31050		KNOB E 350N	1,00	02/2004	--	--
0002	LAFN34766		CONOTL ROD E 350N	1,00	02/2004	--	--
0003	MLML34767		SPRING D.10.2 X20	2,00	02/2004	--	--
0004	LAFN34768		SUPPORT E 350	1,00	02/2004	--	--
0005	VTDD00130		NUT M. 6	4,00	02/2004	--	--
0006	LAFN38414		PLATE E350 II	1,00	02/2004	--	--
0007	VTRS13946		WASHER D. 8 X24 INX UNI 6593	1,00	02/2004	--	--
0008	VTRS00274		WASHER NYLON 66 D.8,4-17-2 UNI	1,00	02/2004	--	--
0009	MLML38415		SPRING E350 II	2,00	02/2004	--	--
0010	VTVT77509		SCREW TE 8X60 UNI5739	1,00	02/2004	--	--
0011	VTDD01695		NUT M 8 INX	1,00	02/2004	--	--
0012	MPVR34771		SUPPORT E 350N	1,00	02/2004	--	--
0013	MLML34775		SPRING E350 N	1,00	02/2004	--	--
0014	VTVR34710		PLUG 4X35	1,00	02/2004	--	--
0015	GUGO34776		GASKET E 350N	1,00	02/2004	--	--
0016	MPVR34711		COVER E 350N	1,00	02/2004	--	--
0018	VTRS00272		WASHER PER ALBERO	2,00	02/2004	--	--
0020	GUGO00150		NUT	2,00	02/2004	--	--
0021	VTVT00768		SCREW TE M. 6-110 ZN BIANCA	2,00	02/2004	--	--
0022	GUGO38416		GASKET E350 II	2,00	02/2004	--	--
0023	MPVR31595		RUBBER H31 E 350N	2,00	02/2004	--	--
0024	MPVR31594		RUBBER H31 E 350N	2,00	02/2004	--	--
0025	MPVR31930		BODY E 350 N	2,00	02/2004	--	--
0026	FSVR00106		CLAMP A COLLARE	1,00	02/2004	--	--
0028	FSVR43136		CLAMP D. 35-40 DF.	1,00	02/2004	--	--
0029	TBFX00190		TUBE D 34-430 MM	1,00	02/2004	--	--
0030	VTVT00817		SCREW TE M4x12 UNI 5739 INOX	1,00	02/2004	--	--
0031	VTRS00251		WASHER 4-16 INOX A2	1,00	02/2004	--	--
0032	VTRS00245		WASHER D.6 UNI 6592 INOX	2,00	02/2004	--	--
0033	VTVT00911		GRUB SCREW M4X8	1,00	02/2004	--	--
0034	VTDD00155		NUT M.10 SX ZINC NERA	1,00	02/2004	--	--
0035	VTVT00711		SCREW TTQ	2,00	02/2004	--	--
0036	RCDS34777		BUSHING D.20 OTT.	1,00	02/2004	--	--
0037	GUGO00165		GASKET	1,00	02/2004	--	--
0038	GUGO00164		GASKET	2,00	02/2004	--	--
0039	SFVR34773		BALL D. 7/16" PPH	2,00	02/2004	--	--
0040	MLML00184		SPRING COMPRESSIONE D.10-1	1,00	02/2004	--	--
0041	MLML34772		SPRING D. 5 X40	1,00	02/2004	--	--
0044	VTVT00659		SCREW TC+ M. 4-15	4,00	02/2004	--	--



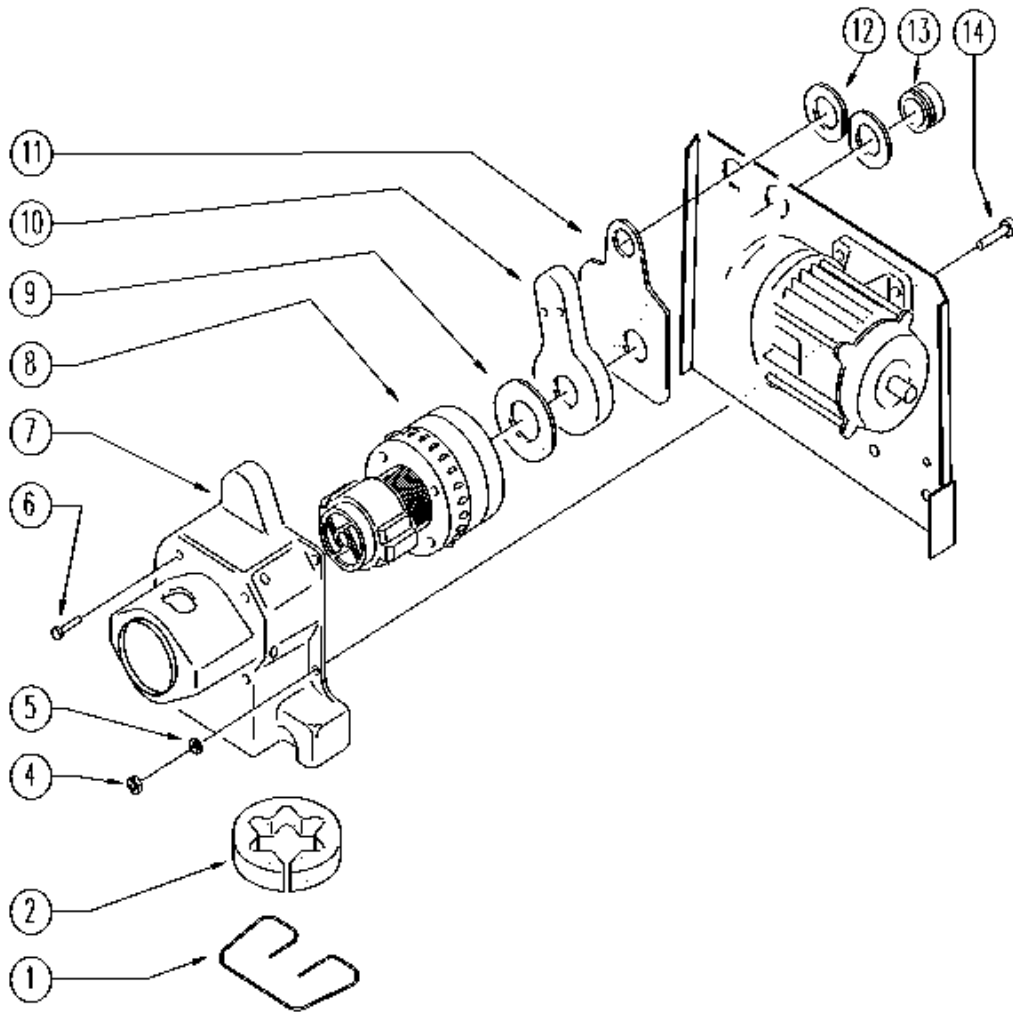
Ref.	K	Part N.	Customer Part N.	Description	Qty	Validity:		Price
						From	To	
0045		LAFN05111		PROTECTION ACCESSORIO	1,00	02/2004		--
0046		SPPV38642		SLIDE E 350II	1,00			--
0047		SPPV38643		SLIDE E 350II	1,00			--



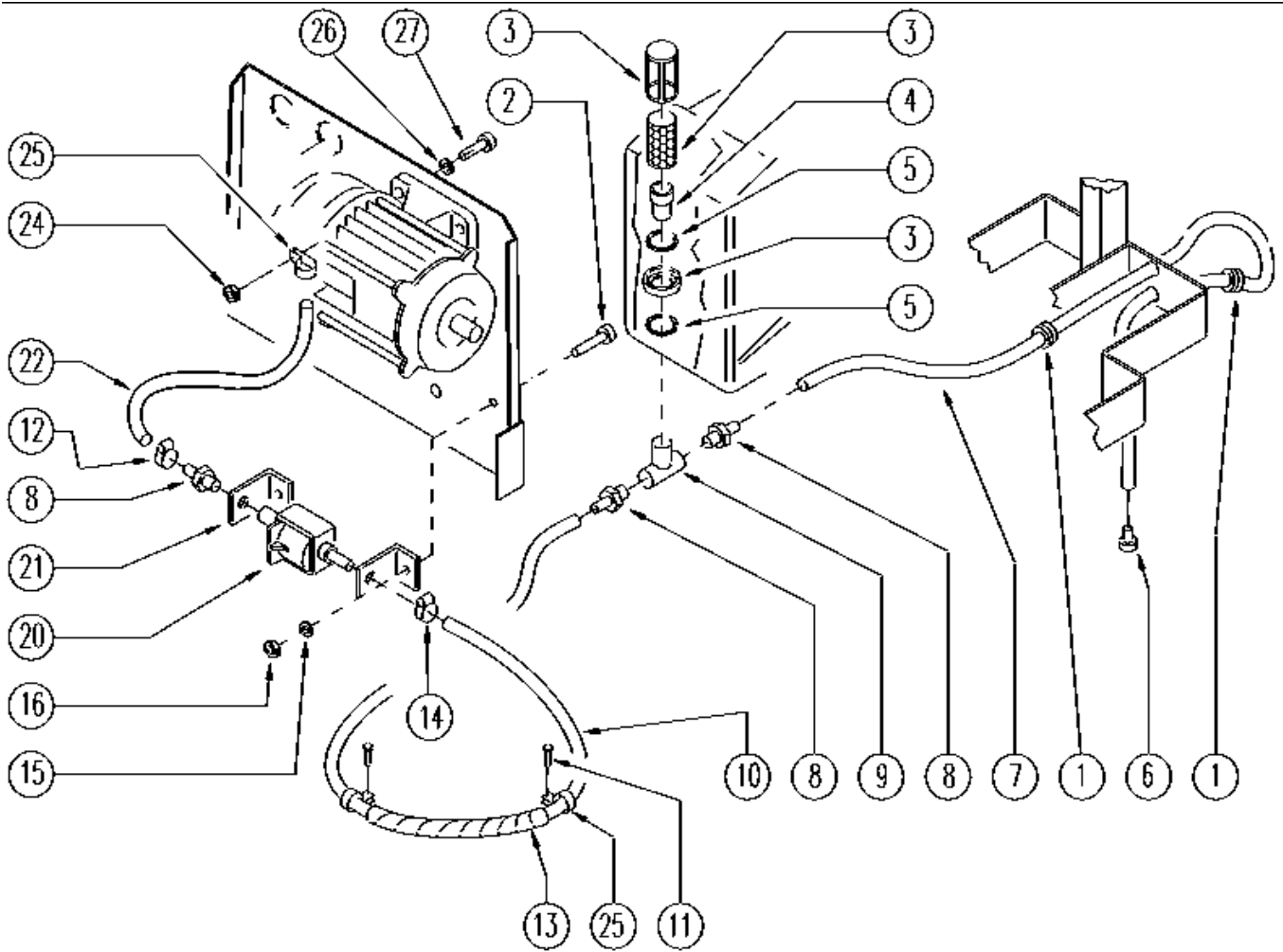
Ref. K	Part N.	Customer Part N.	Description	Qty	Validity:		Price
					From	To	
0001	VTVT00711		SCREW TTQ	4,00	02/2004		--
0002	VTDD01695		NUT M 8 INX	2,00	02/2004		--
0003	VTRS00230		WASHER D. 8	2,00	02/2004		--
0004	LAFN03760		SPACER RUOTA	2,00	02/2004		--
0005	RTRT31046		WHEEL D.150 E 350	2,00	02/2004		--
0006	VTRS00241		WASHER D. 8-24	2,00	02/2004		--
0007	VTVT00746		SCREW TBEI	2,00	02/2004		--
0009	LAFN04898		BASE CPL.	1,00	02/2004		--
0010	VTVT00750		SCREW TSPE M. 6-16	9,00	02/2004		--
0011	VTDD15518		NUT M 6 INX	2,00	02/2004		--
0012	MPVR31929		SUPPORT E 350 N	1,00	02/2004		--
0013	LAFN34719		DISC E 350	1,00	02/2004		--
0014	MPVR04119		PULLEY TRASC.RULLO350	1,00	02/2004		--
0018	MPVR34721		CRANKCASE E 350N	1,00	02/2004		--
0019	MPVR34723		BUMPER 41X 3 PVC E350 N	1,00	02/2004		--
0020	LAFN34722		ANT.BUMPER E 350N	1,00	02/2004		--
0027	SPPV00451		ROLLER NYLON	1,00	02/2004		--
0028	VTDD00130		NUT M. 6	6,00	02/2004		--
0029	VTRS00245		WASHER D.6 UNI 6592 INOX	2,00	02/2004		--
0030	VTRS13945		WASHER D. 6X18 INX UNI 6593	5,00	02/2004		--
0031	MOMO31926		TRACTION MOTOR E 350 N 220V	1,00	02/2004		--
0032	VTVR31039		KEY 5X 5X10 UNI 6604A	1,00	02/2004		--
0033	MTCG31927		BELT J4 559	1,00	02/2004		--
0034	MTPL31027		PULLEY POLY-V J4	1,00	02/2004		--
0035	VTVT21096		SCREW TE M 4X 10 INX	1,00	02/2004		--



Ref. K	Part N.	Customer Part N.	Description	Qty	Validity:		Price
					From	To	
0001	VTVT63038		SCREW TCEI M8X45 BR	2,00			--
0002	VTRS00230		WASHER D. 8	3,00			--
0003	MLML34713		SPRING D. 8.2 X16	1,00			--
0004	MPVR34714		CABLE SUPPORT E 350	1,00			--
0005	MPVR30856		CABLE SUPPORT E350	1,00			--
0006	VTRS34724		WASHER D.22 X30 X1	1,00			--
0008	MLML34726		SPRING TR E350 N	1,00			--
0009	VTVT07947		SCREW TCEI 8X20 UNI5931	1,00			--
0010	VTVT00749		SCREW TCEI M.6-40	1,00	02/2004		--
0011	LAFN03762		BUSHING SNODO MANICO	2,00	02/2004		--
0012	LAFN04898		BASE CPL.	1,00			--
0013	VTDD00130		NUT M. 6	5,00	02/2004		--
0014	VTDD01695		NUT M 8 INX	1,00	02/2004		--
0015	VTRS13946		WASHER D. 8 X24 INX UNI 6593	3,00	02/2004		--
0020	LAFN31041		FOOT D. 10 FF E350	1,00	02/2004		--
0021	LAFN34716		LEVER E 350	1,00	02/2004		--
0022	MLML31042		SPRING D. 10 X17 S1 N6	1,00	02/2004		--
0023	VTVT15907		SCREW TE 8X25 UNI5739 INX	1,00	02/2004		--
0024	VTAE48552		CIRCLIP D. 6 UNI 7435	1,00	02/2004		--
0025	VTRS00245		WASHER D.6 UNI 6592 INOX	1,00	02/2004		--
0026	RTRT34715		CASTER D. 8/13 E 350	1,00	02/2004		--
0027	RCDS34717		BUSHING D. 9X12X 8.3	1,00	02/2004		--
0028	VTRS01584		WASHER D.20	1,00	02/2004		--
0029	LAFN34727		COVER E 350N	1,00			--
0030	VTVT21887		SCREW TCB-TC 4X10 8112	2,00			--
0031	MPVR02929		PIN GPN 270 40X25	1,00			--
0032	LAFN34729		TIE ROD E 350N	1,00			--
0033	MPVR34730		HANDLE L=270- 60 M 8	1,00			--

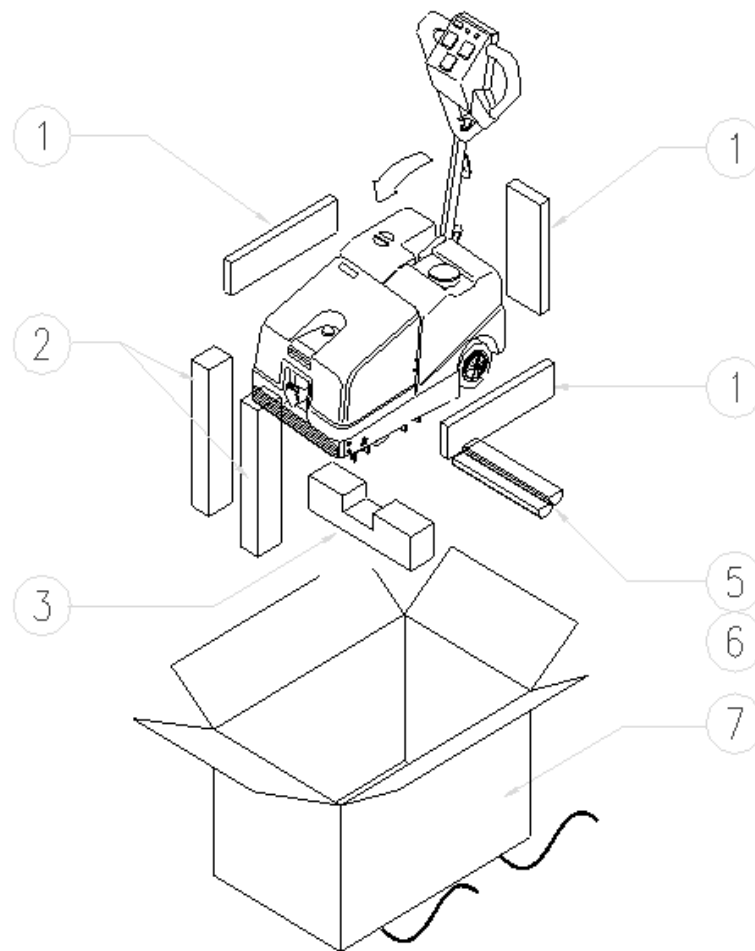


Ref. K	Part N.	Customer Part N.	Description	Qty	Validity:		Price
					From	To	
0001	MLML00204		SPRING PORTAFILTRO F.350	1,00	02/2004	--	--
0002	FTDP34781		AIR FILTER E 350	1,00	02/2004	--	--
0004	VTDD15518		NUT M 6 INX	4,00	02/2004	--	--
0005	VTRS00231		WASHER D. 6 UNI 6592 PIANA ZINC.	4,00	02/2004	--	--
0006	VTVT00752		SCREW TC+ M.4,8-19	4,00	02/2004	--	--
0007	MPVR34782		MOTOR COVER E 350N	1,00	02/2004	--	--
0008	MOMO31928		MOTOR E 350 220/240	1,00	02/2004	--	--
0009	GUGO31051		GASKET LAV.	1,00	02/2004	--	--
0010	MPVR34792		CONVEYOR E 350N	1,00	02/2004	--	--
0011	GUGO34793		GASKET E 350N	1,00	02/2004	--	--
0012	GUGO34794		GASKET E 350N	2,00	02/2004	--	--
0013	MPVR31077		BUSHING L.450	1,00	02/2004	--	--
0014	VTVT00711		SCREW TTQ	4,00	02/2004	--	--

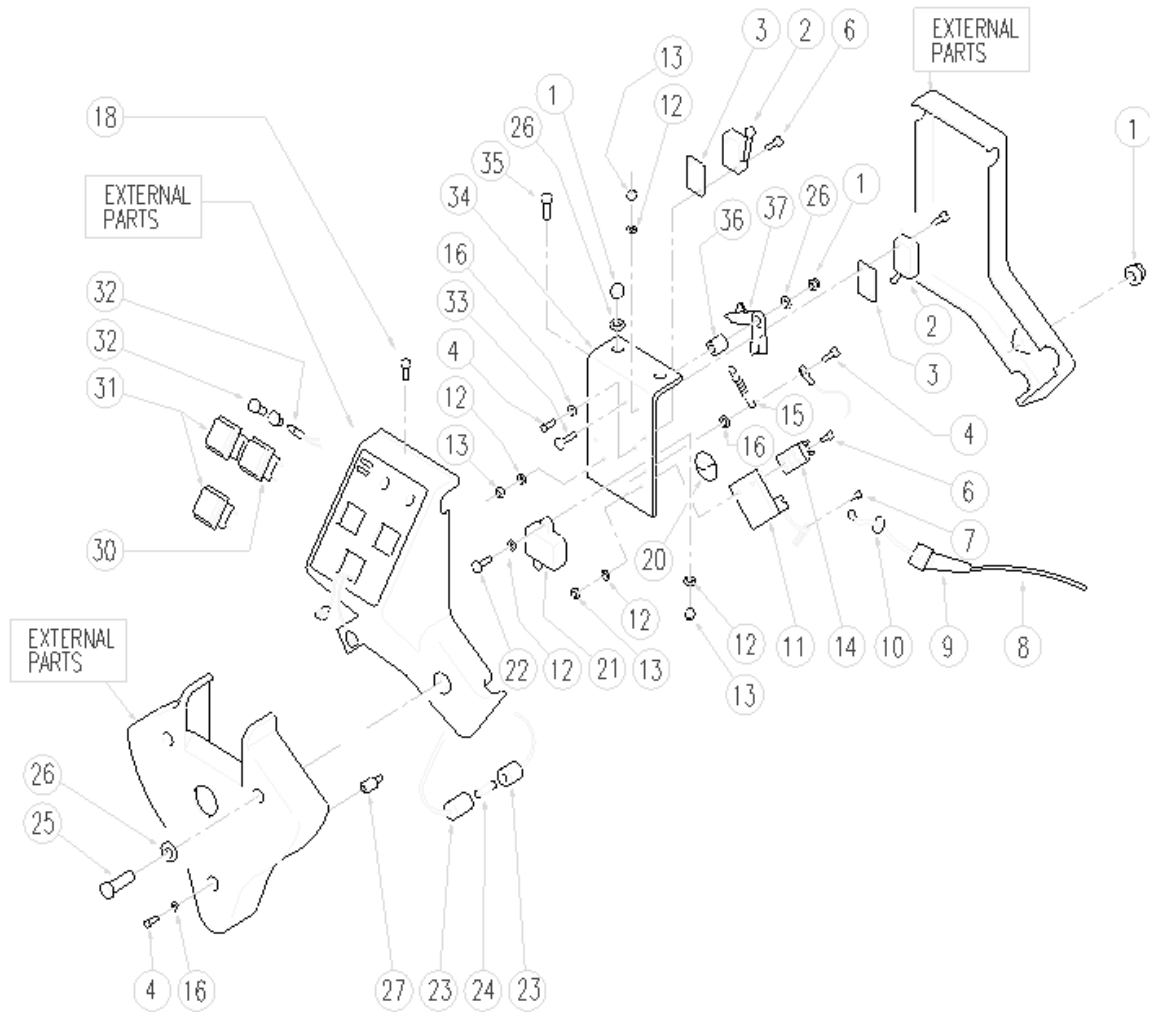


Ref. K	Part N.	Customer Part N.	Description	Qty	Validity:		Price
					From	To	
0001	MEVR01121		FAIR-LEAD	2,00	02/2004	--	--
0002	VTVT00711		SCREW TTQ	2,00	02/2004	--	--
0003	FTDT34764		FILTER E 350N	1,00	02/2004	--	--
0004	LAFN34765		SUPPORT E 350N 1/8"	1,00	02/2004	--	--
0005	GUGO00165		GASKET	2,00	02/2004	--	--
0006	RCVR00465		CAP	1,00	02/2004	--	--
0007	TBBP00244		TUBE D 7/10-400 MM	1,00	02/2004	--	--
0008	RCVR00409		UNION/CONNECTOR	3,00	02/2004	--	--
0009	RCVR00464		DEVIATION A 'T'	1,00	02/2004	--	--
0010	TBBP00242		TUBE D 7/10-300 MM	1,00	02/2004	--	--
0011	VTVT21887		SCREW TCB-TC 4X10 8112	2,00	02/2004	--	--
0012	FVSR00106		CLAMP A COLLARE	1,00	02/2004	--	--
0013	MPVR02769		PIGTAIL	1,00	02/2004	--	--
0014	FVSR00087		CLAMP A COLLARE	2,00	02/2004	--	--
0015	VTRS13945		WASHER D. 6X18 INX UNI 6593	2,00	02/2004	--	--
0016	VTDD00130		NUT M. 6	2,00	02/2004	--	--
0020	PEEL30637		PUMP BY-P.230V-50HZ	1,00	02/2004	--	--
0021	ABGO31065		VIBRATION DAMP.E 350	2,00	02/2004	--	--
0024	VTDD04369		NUT M 4 TEF UNI 7473	2,00	02/2004	--	--
0025	FVSR00099		CLAMP FERMATUBO	4,00	02/2004	--	--
0026	VTRS00501		WASHER D. 4 0.232 UNI 6592	2,00	02/2004	--	--
0027	VTVT00659		SCREW TC+ M. 4-15	2,00	02/2004	--	--

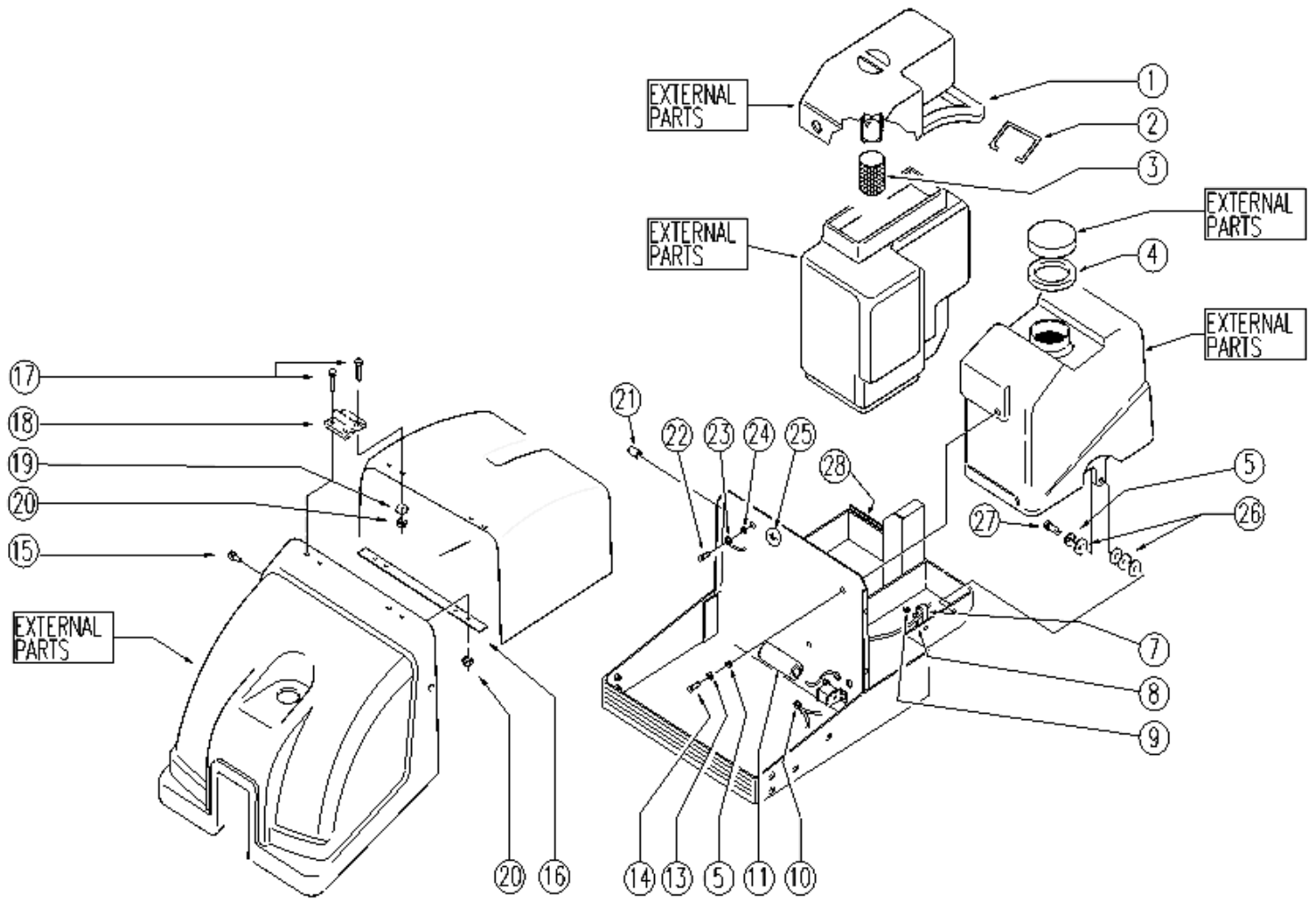
L'imballo deve essere chiuso con nastro adesivo neutro - graffette metalliche



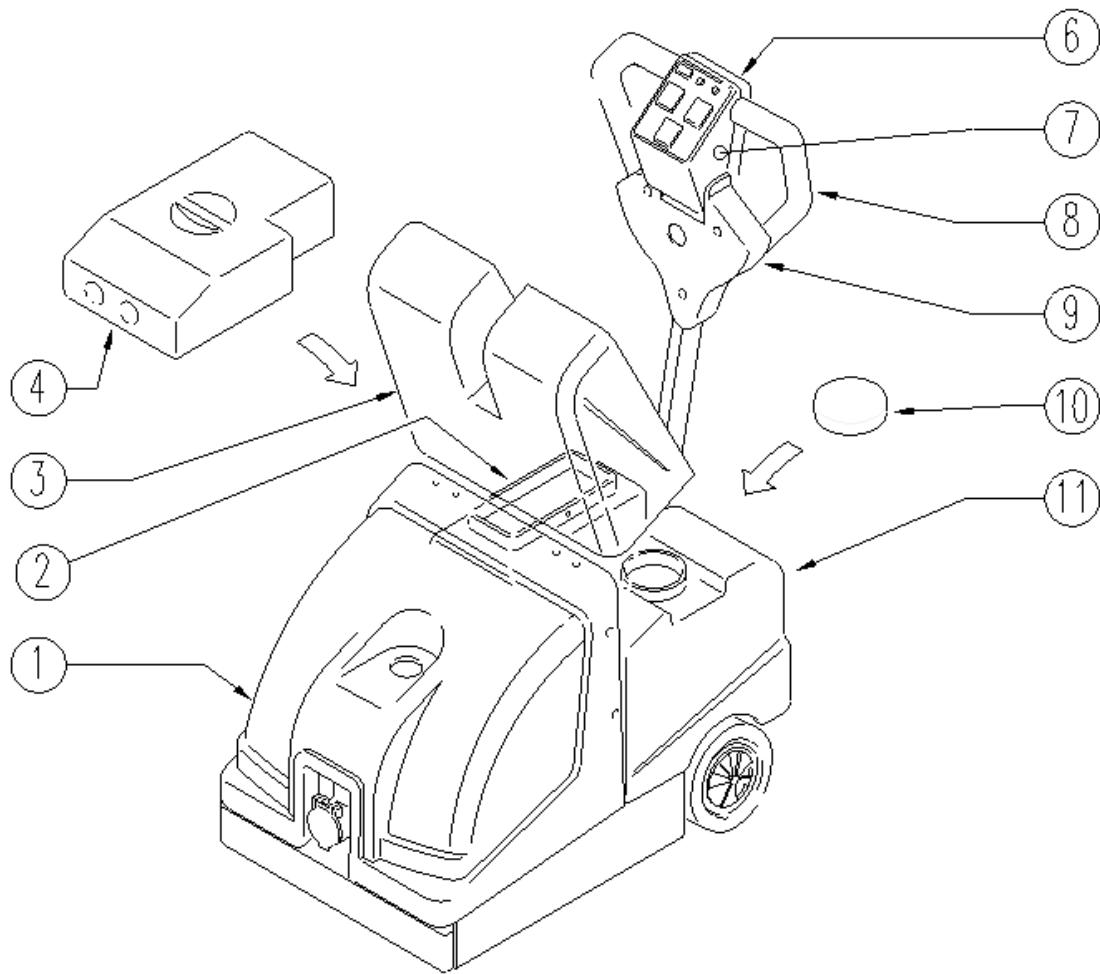
Ref. K	Part N.	Customer Part N.	Description	Qty	Validity:		Price
					From	To	
0001	MIVR00054		BODY SIDE POLISTIROLO 430X100X30	3,00	02/2004	--	--
0002	MIVR00053		BODY SIDE POLIESTIROLO 430X100X60	2,00	02/2004	--	--
0003	MIVR00055		BODY SIDE INF. IN POLIST.400X100X90	1,00	02/2004	--	--
0005	SPPV38642		SLIDE E 350II	1,00	02/2004	--	--
0006	SPPV38643		SLIDE E 350II	1,00	02/2004	--	--
0007	MICT00086		CARTON IMBALLO F. 350 NEUTRO	1,00	02/2004	--	--



Ref. K	Part N.	Customer Part N.	Description	Qty	Validity:		Price
					From	To	
0001	VTDD00130		NUT M. 6	4,00			--
0003	MPVR38611		PLATE LAV.	2,00			--
0004	VTVT21887		SCREW TCB-TC 4X10 8112	3,00			--
0006	VTVT00633		SCREW M 3X 20 TCB-TC BK.U.7687	6,00			--
0007	RCDS00010		SCREW	2,00			--
0008	MECB31057		CABLE 3 X1.5 17MT E 350	1,00			--
0009	MEVR01089		FAIR-LEAD SZ G	1,00			--
0010	VTRS00250		WASHER D.14	1,00			--
0011	MEVR01111		BOARD HOLDER	1,00			--
0012	VTRS00247		WASHER D. 3	8,00			--
0013	VTDD00129		NUT M .3	7,00			--
0014	MEVR01110		TERMINAL BOARD 3 POS PA27	1,00			--
0015	MLML38423		SPRING TR GRL	1,00			--
0016	VTRS00244		WASHER D .4 DENT. INT.	3,00			--
0018	VTVT00724		SCREW	1,00			--
0020	ETET00762		ADHESIVE SIMBOLO TERRA	1,00			--
0021	MECE31132		FILTER LC LAVAM. FL.	1,00			--
0022	VTVT00693		SCREW	1,00			--
0023	MEVR01401		FUSE CARRIER VOLANTE OMEGA	1,00			--
0024	MEVR01402		FUSE 5AX20	1,00			--
0025	VTVT00655		SCREW TE M. 6-55	2,00			--
0026	VTRS00231		WASHER D. 6 UNI 6592 PIANA ZINC.	5,00			--
0027	VTVR00261		SPACER FIL.M/FM4	1,00			--
0030	MECI30639		SWITCH 250V GLL.	1,00			--
0031	MECI30640		SWITCH E 350 GLL.	2,00			--
0032	MELF30641		LAMP 220V B.	2,00			--
0033	VTVT00712		SCREW	1,00			--
0034	LAFN04778		SHEET METAL PA.COMANDI	1,00			--
0035	VTVT00630		SCREW M. 6-16	2,00			--
0036	RCDS34802		BUSHING D. 6.2X 8X11	1,00			--
0037	MPVR34801		TRIGGER E 350N	1,00			--



Ref. K	Part N.	Customer Part N.	Description	Qty	Validity:		Price
					From	To	
0001	GUVR38127		GASKET E 350N	1,00			--
0002	LAFN34796		HANDLE E 350N	1,00			--
0003	FTDP39093		FILTER E350 SB	1,00			--
0004	GUGO00180		GASKET COPERCHIO SERBATOIO	4,00			--
0005	VTRS13945		WASHER D. 6X18 INX UNI 6593	3,00			--
0006	VTDD00130		NUT M. 6	4,00			--
0007	MPVR02933		DUCT LOCK D.9,5	1,00			--
0008	VTVR00245		RIVET A STRAPPO	1,00			--
0009	VTRS00515		WASHER D. 4 INX	1,00			--
0010	MPVR31061		PROTECTION E 350	1,00			--
0011	MECO00008		CAPACITOR MARCIA	1,00			--
0013	VTRS00246		WASHER D. 6	2,00			--
0014	VTVT15906		SCREW TE 6X 12 A2 UNI 5739	2,00			--
0015	VTVT00659		SCREW TC+ M. 4-15	4,00			--
0016	LAFN05589		PLATE	1,00			--
0017	VTVT00863		SCREW	8,00			--
0018	MPVR32181		HINGE M 4	2,00			--
0019	VTRS00501		WASHER D. 4 0.232 UNI 6592	4,00			--
0020	VTDD04369		NUT M 4 TEF UNI 7473	8,00			--
0021	LAFN04039		THICKNESS	4,00			--
0022	VTVT21887		SCREW TCB-TC 4X10 8112	1,00			--
0024	VTRS00244		WASHER D.4 DENT. INT.	1,00			--
0025	ETET00762		ADHESIVE SIMBOLO TERRA	1,00			--
0026	VTRS00232		WASHER D.12 UNI 6592 ZINC.	4,00			--
0027	VTVT15143		SCREW TE 6X16 UNI5739	1,00			--



Ref. K	Part N.	Customer Part N.	Description	Qty	Validity:		Price
					From	To	
0001	MPVR51063		HOOD ANTER.CLEANTIME 350	1,00			--
0002	MPVR34799		TANK E 350N	1,00			--
0003	MPVR51064		HOOD POSTER.CLEANTIME 350	1,00			--
0004	MPVR03474		COVER SERB.CPL.350	1,00			--
0006	MPVR31059		CONTROL BOX E 350N	1,00			--
0007	MPVR34800		BOX COVER E 350N	1,00			--
0008	LAFN34725		HANDLE L.MATIC E350 N	1,00			--
0009	MPVR51065		COVER IMPUGN.CLEANTIME 350	1,00			--
0010	MPVR03318		COVER ACQUA PULITA	1,00			--
0011	MPVR34797		WATER TANK E 350N	1,00			--