



IPC Integrated Professional Cleaning

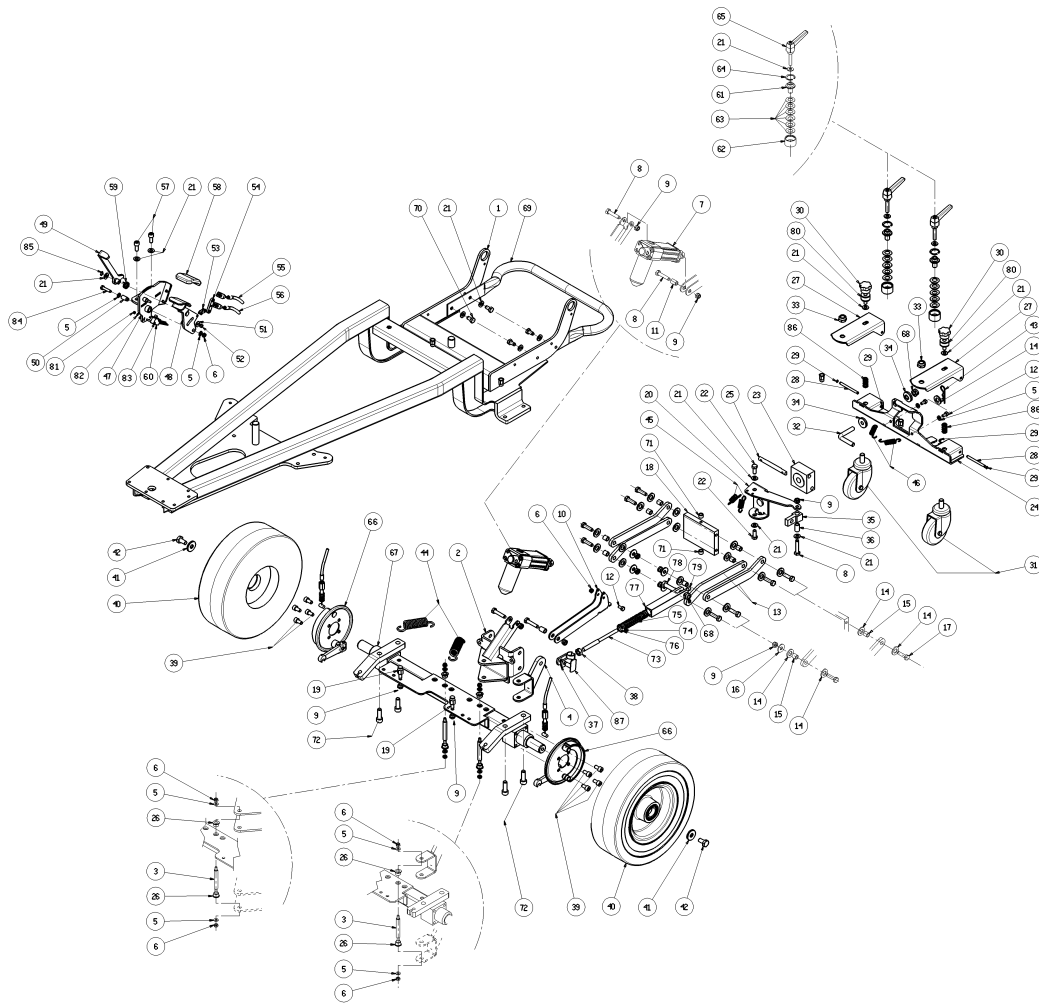
IPC Gansow

Spare Parts List

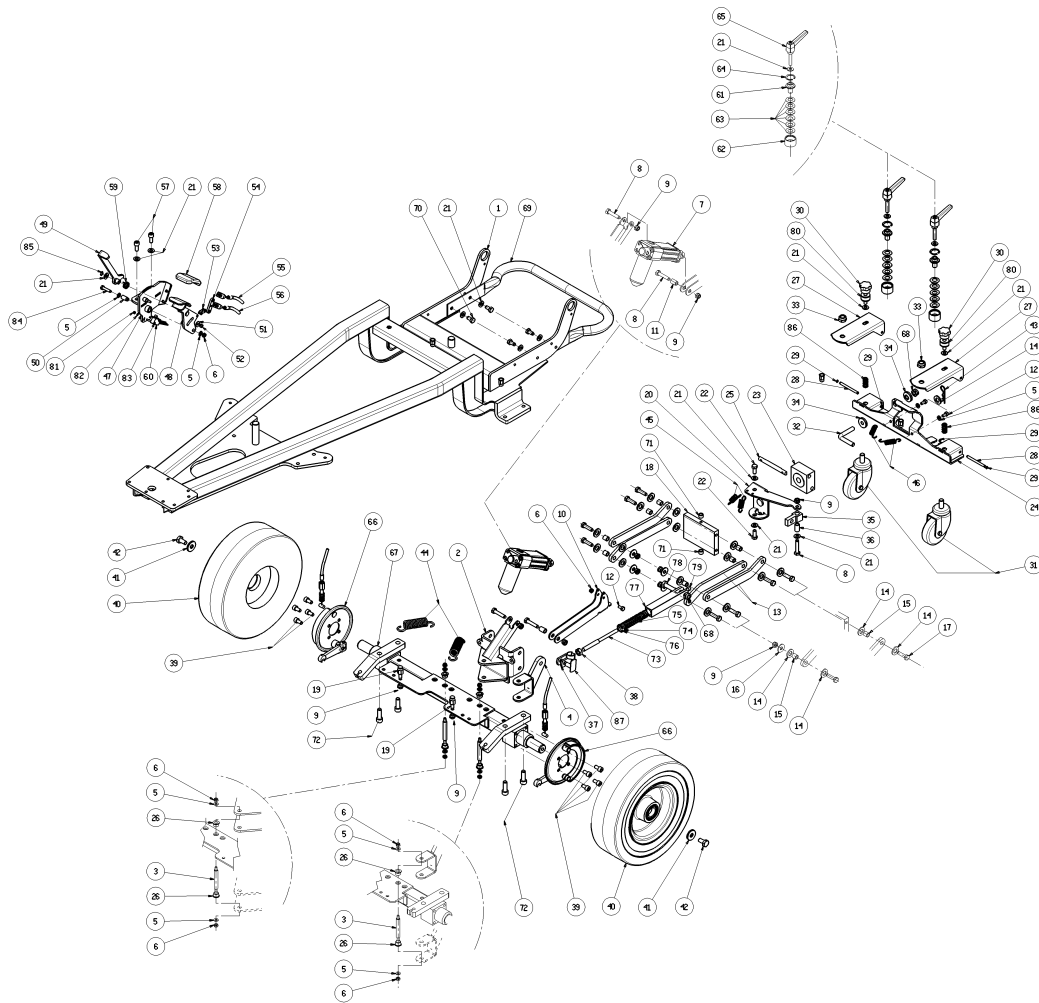
IPC . EAGLE

Ref: LPTB01076

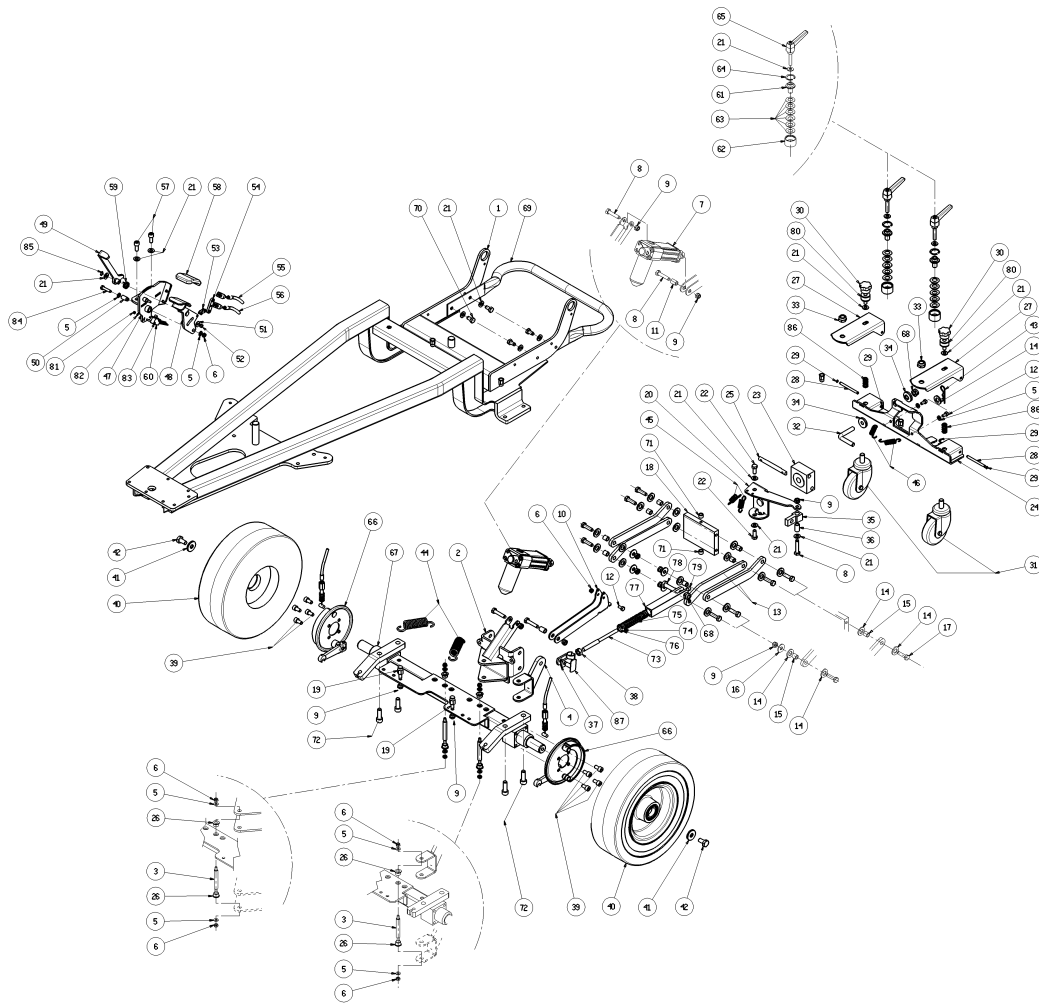
Model: CLEAN TIME 160 BT 75R 36V



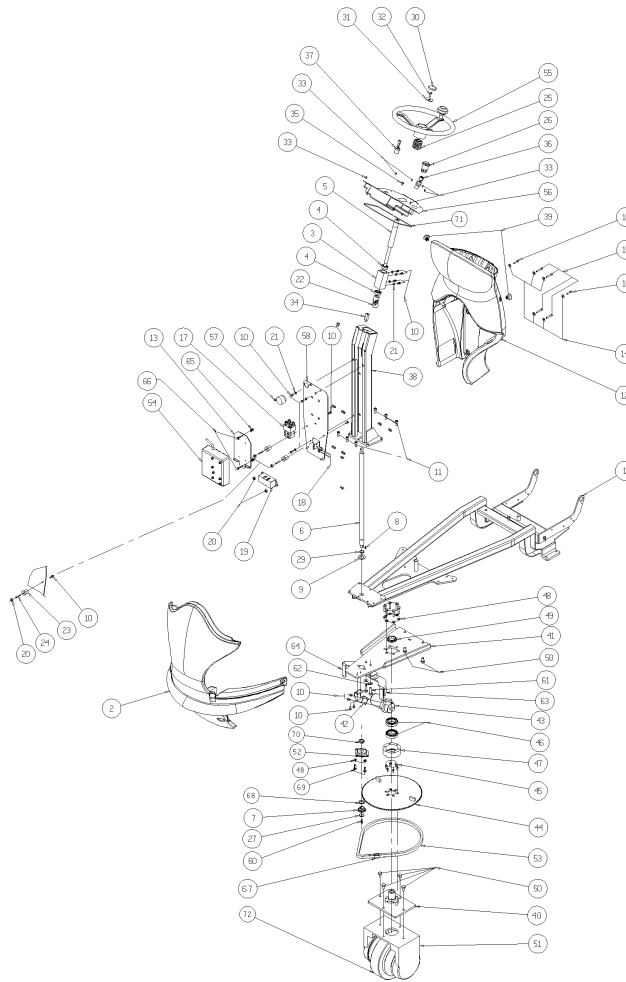
Ref.	K	Part N.	Customer Part N.	Description	Qty	Validity: From To	Price
0001		LAFN05790		FRAME COMPLETO CLT160	1,00		--
0002		LAFN05780		ARTICULATION PORTATERGI	1,00	05/2004	--
0003		LAFN04138		PIN PARALLELOGRAMMO	2,00		--
0004		LAFN05778		ASSEMBLED C SNODO ORIZZONTALE	1,00		--
0005		VTRS00503		WASHER D. 6 TE UNI 6798	8,00		--
0006		VTDD00010		NUT AUTOBLOK DIN 985 M6 BASSO	6,00		--
0007		MOCC00303		ATUATOR TERGI AO-01M	1,00	06/2006	--
0007		MOCC00139		ATUATOR TERGI AO-01M	1,00		05/2006 --
0008		VTVT00708		SCREW TE M. 8-40	3,00	05/2004	--
0009		VTDD01695		NUT M 8 INX	9,00	06/2005	--
0010		LAFN05777		LEVER SOLLEVAMENTO TERGI	1,00	05/2004	--
0011		LAFN04139		SPACER SNODO TERGI	1,00	05/2004	--
0012		VTVT15906		SCREW TE 6X 12 A2 UNI 5739	4,00	05/2004	--
0013		LAFN05779		ARM PARALLELOGRAMMA	4,00	05/2004	--
0014		VTRS15978		WASHER D.12X24 UNI 6592 INX	17,00	05/2005	--
0015		LAFN04151		BUSHING X PARALLELOGRAMMA	8,00	07/2004	--
0016		VTRS13946		WASHER D. 8 X24 INX UNI 6593	4,00		--
0017		VTVT13937		SCREW TE M 8X 30 INX UNI 5739	8,00	05/2004	--
0018		LAFN04125		PLATE TESTATA PARALLELOGR.	1,00	05/2004	--
0019		LAFN04143		PIN FISSA MOLLA	2,00		--
0020		LAFN05776		ASSEMBLED SNODO FINALE	1,00	05/2004	--
0021		VTRS13947		WASHER D. 8 INX UNI 6592	24,00	05/2004	--
0022		VTVT13938		SCREW TE 8X20 UNI5739 INX	2,00		--
0023		LAFN04122		ARTICULATION POSTERIORE	1,00	05/2004	--
0024		LAFN05775		ASSEMBLED PORTATERGI	1,00	05/2004	--
0025		LAFN04123		PIN SUPPORTO TERGI P.185	1,00	05/2004	--
0026		CUVR00139		BUSHING SITERIZZATA	4,00		--
0027		LAFN05809		ARM PORTARUOTA TERGI P185	2,00	05/2004	--
0028		LAFN04150		PIN BRACCIO RUOTA TERGI P185	2,00	05/2004	--
0029		VTAE48552		CIRCLIP D. 6 UNI 7435	4,00	05/2004	--
0030		VTVR00534		HANDWHEEL 8MAX20 D.40	2,00		--
0031		RTRT00303		WHEEL PORTA TERGI P185	2,00	05/2004	--
0032		LAFN04135		REGISTER CAMPANATURA TERGI	1,00	05/2004	--
0033		VTDD00176		NUT M.12 INOX A2 BASSO	2,00	05/2004	--
0034		LAFN04136		KNOB REGISTRO TERGI	2,00	05/2004	--
0035		LAFN04124		BLOCK SNODO PARAL ORIZ	1,00	05/2004	--
0036		LAFN04158		SPACER PARALL.LATER.TERGI P185	1,00	05/2004	--
0037		CMCV00314		FORK M.10 CPL.CLIP	1,00		--
0038		VTDD00154		NUT M.10 INOX A2	1,00		--



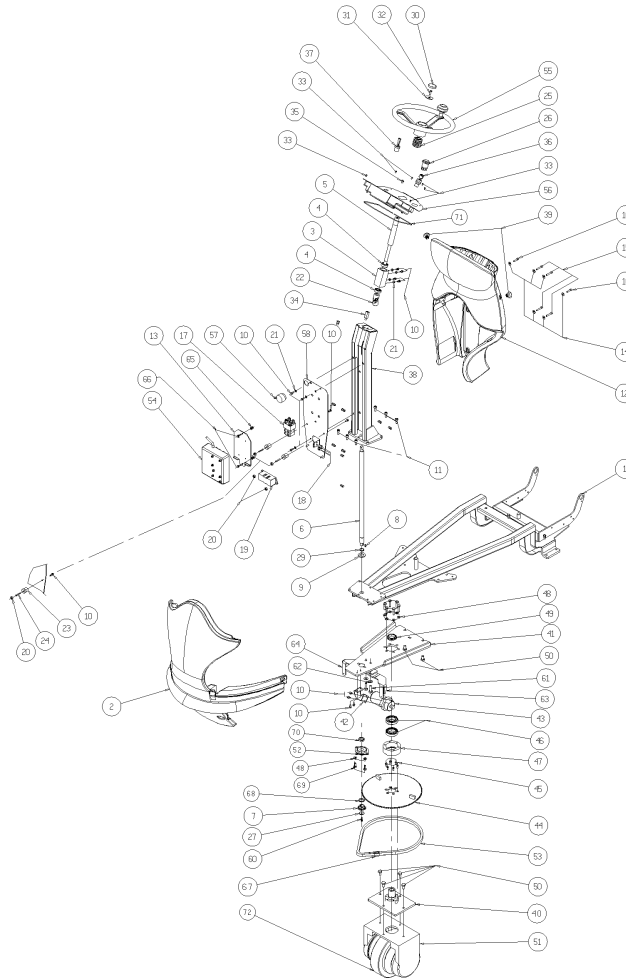
Ref.	K	Part N.	Customer Part N.	Description	Qty	Validity:		Price
						From	To	
0039		VTVT00876		SCREW TCEI M.8-16	8,00	04/2005		--
0040		RTRT00301		WHEEL LIBERA D.306	2,00			--
0041		LAFN04144		WASHER RUOTE POSTERIORI	2,00			--
0042		VTVT13936		SCREW TE M 10X 20	2,00			--
0043		VTVR00226		SPLIT PIN ELASTICA D2	1,00	05/2004		--
0044		MLML00241		SPRING TESTATA SPAZZOLA P185	2,00			--
0045		MLML00022		SPRING GANCIO ARPIONE	2,00	05/2006		--
0045		MLML00243		SPRING PRESSIONE TERGI P185	2,00	05/2004	05/2006	--
0046		MLML00242		SPRING LIVELLAMENTO TERGI P185	2,00	05/2004		--
0047		LAFN05766		SUPPORT PEDALE CPL	1,00			--
0048		LAFN05767		ASSEMBLED PEDALE FRENO	1,00			--
0049		LAFN05768		PEDALE BLOCCO	1,00			--
0050		LAFN04142		PIN PEDALE FRENO	1,00			--
0051		VTRS15958		WASHER D. 5 X15 UNI 6593	1,00			--
0052		VTDD15517		NUT M 5 INX	1,00			--
0053		MTCR47037		WARP KNITTING 3/8	1,00			--
0054		LAFN05769		BALANCER PER CAVI FRENO	1,00			--
0055		CMCV00311		CABLE FRENO SX	1,00			--
0056		CMCV00310		CABLE FRENO DX	1,00			--
0057		VTVT01351		SCREW M8-20 INOX A2 -70	2,00			--
0058		MPVR45096		RUBBER V 1201 GR.	1,00			--
0059		MLML00237		SPRING RICHIAMO PEDALE B.F. P185	1,00			--
0060		MECI44780		MICROSWITCH D2VW-5L2A-1M OMR	1,00			--
0061		LAFN04121		PIN MOLLE A TAZZA	2,00			--
0062		LAFN04137		CONTAINER MOLLE A TAZZA	1,00			--
0063		MLML00245		SPRING A TAZZA	10,00			--
0064		VTAE13513		CIRCLIP D. 26 UNI 7437	2,00			--
0065		CHVR00500		HANDLE A RIPRESA M8x40	2,00			--
0066		RTRT45090		BLOCK BRAKE D.125 TK	2,00	05/2004		--
0067		LAFN05792		ASSEMBLED ASSALE POSTERIORE	1,00			--
0068		VTDD00151		NUT M.10	1,00	03/2005		--
0069		LAFN06275		TUBE ROLL BAR POSTER.CLT160	1,00			--
0070		VTVT15916		SCREW TE M 8X 16 UNI 5739 A2	4,00			--
0071		LAFN04157		BUSHING SNODO FINALE	2,00	05/2004		--
0072		VTVT00307		SCREW TCEI M10X30	4,00	05/2004		--
0073		LAFN06819		TUBE ADATTATORE MARMITTA	1,00	03/2005		--
0074		LAFN06818		TUBE ADATTATORE MARMITTA	2,00	03/2005		--
0075		MLML00290		SPRING AMMORTIZZATORE TERGI	1,00	03/2005		--
0076		VTAE47053		CIRCLIP D. 20 UNI 7437	1,00	03/2005		--



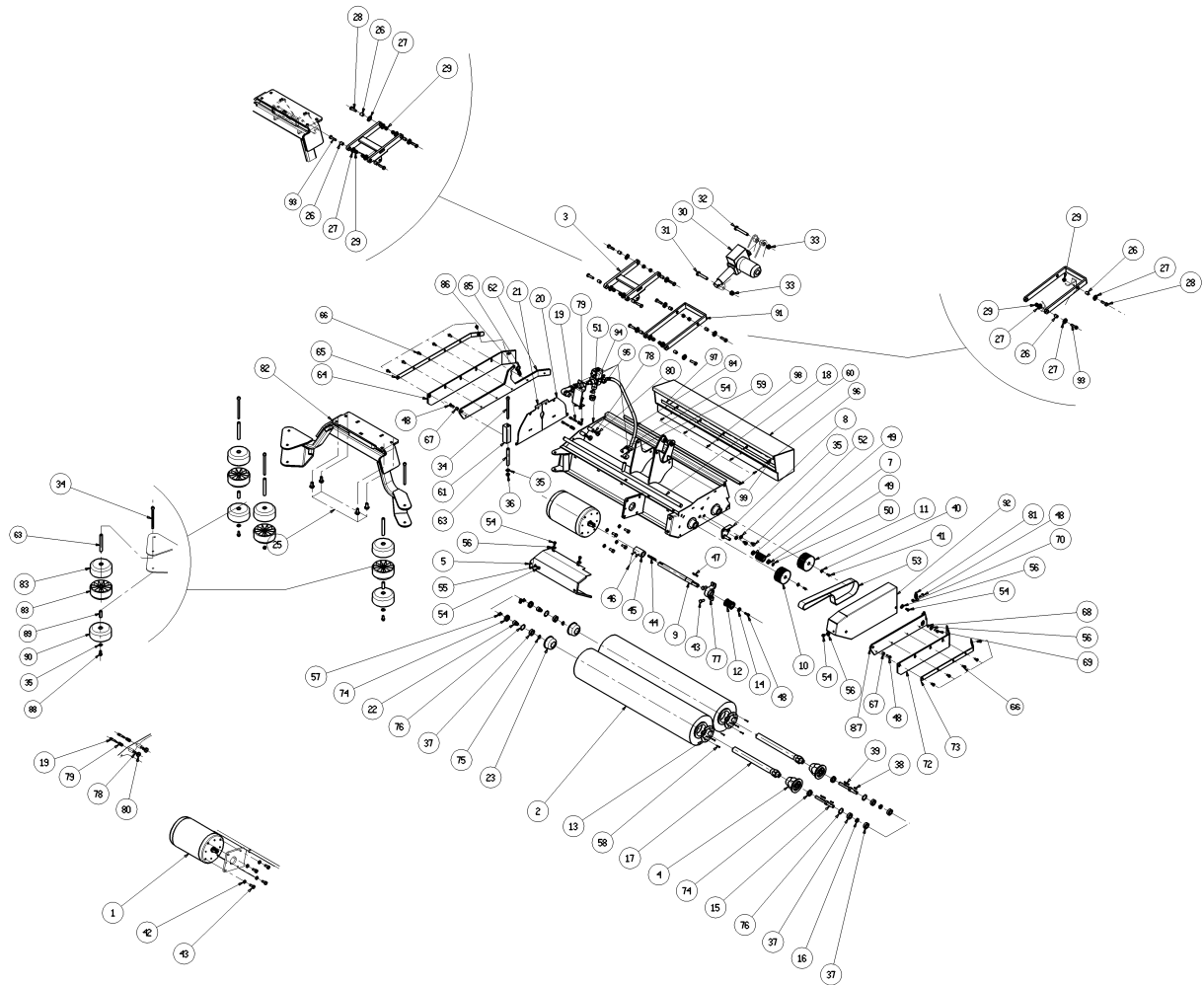
Ref. K	Part N.	Customer Part N.	Description	Qty	Validity:		Price
					From	To	
0077	LAFN06817		TUBE ADATTATORE MARMITTA	1,00	03/2005		--
0078	VTVT01549		SCREW TE M10-40	1,00	03/2005		--
0079	VTVT01314		SCREW TCEI M6 X 12 INOX	1,00	03/2005		--
0080	ABGO00042		VIBRATION DAMP.REGOLAZIONE TERGI CLT160	2,00	06/2005		--
0081	VTDD21115		NUT M 3 INOX	2,00			--
0082	VTRS21116		WASHER D. 3 INX	4,00			--
0083	VTVT01350		SCREW M3-20 INOX	2,00			--
0084	VTVT00433		SCREW TE M 6X 30 UNI 5739 INX	1,00	05/2005		--
0085	VTAE14096		CIRCLIP D. 8 UNI 7435	1,00			--
0086	MLML00239		SPRING PER RUOTE TERGI P185	2,00	05/2004		--
0087	CMCV00007		CLIP X FORCELLA UNI 1676 M10	1,00			--



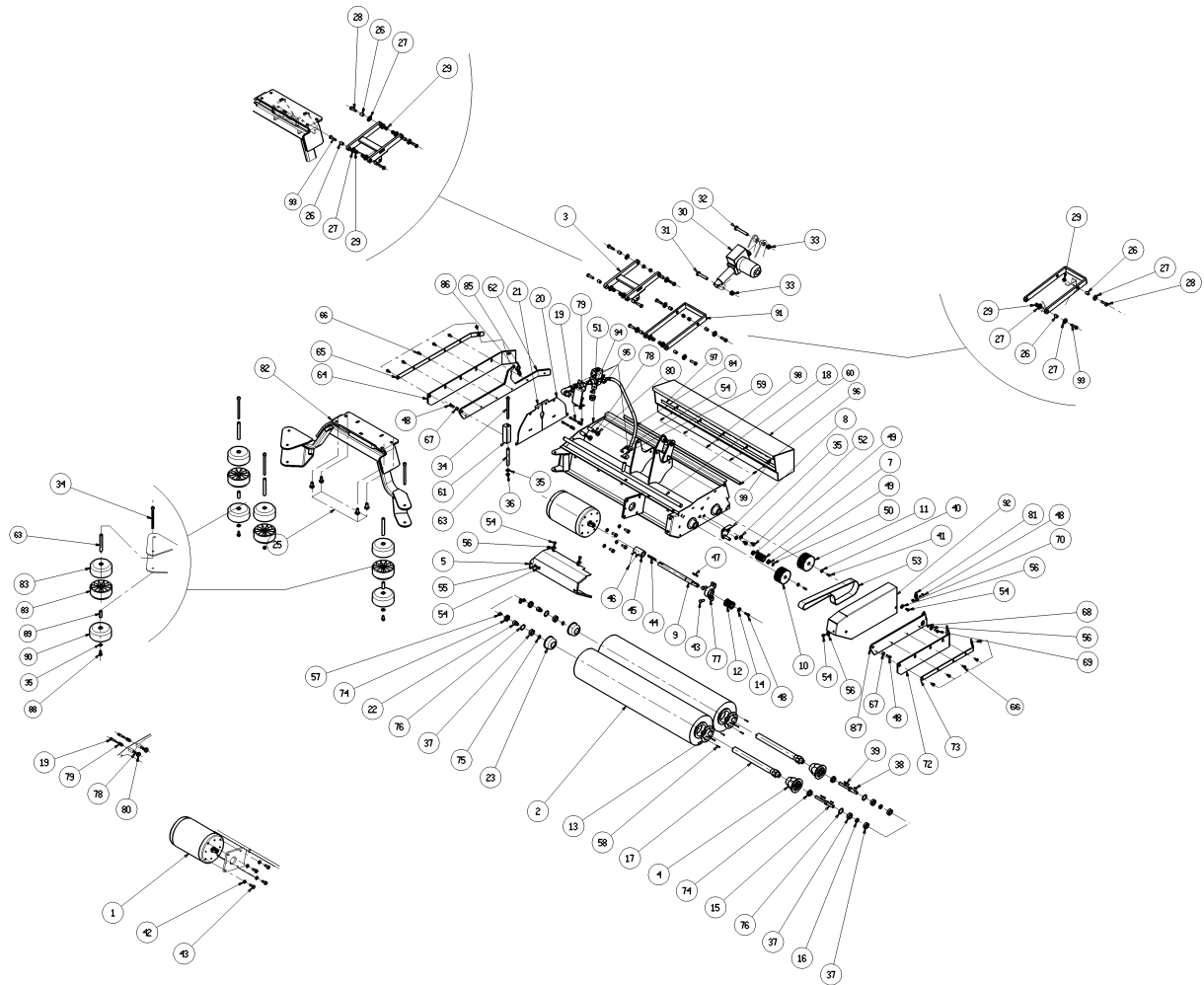
Ref. K	Part N.	Customer Part N.	Description	Qty	Validity:		Price
					From	To	
0003	LAFN04133		HUB ALBERO STERZO	1,00			--
0004	CUVR17004		BALL BEARING 6202 -2RS1	2,00			--
0005	LAFN04076		SHAFT STERZO SUPERIORE P185	1,00			--
0006	LAFN04131		SHAFT STERZO NUOVO	1,00			--
0007	MTCR00070		PINION ALBERO STERZO P185	1,00			--
0008	VTVR00229		KEY 5X5X12	1,00			--
0009	VTRS00019		WASHER UNI 6592 FORO 20 INOX	1,00			--
0010	VTVT15906		SCREW TE 6X 12 A2 UNI 5739	13,00	05/2004		--
0011	VTVT01351		SCREW M8-20 INOX A2 -70	6,00			--
0013	LAFN05810		SUPPORT SCHEDA P185	1,00			--
0014	VTRS00245		WASHER D.6 UNI 6592 INOX	6,00	05/2004		--
0015	VTVT15912		SCREW TCEI M 6X35 UNI 5931 INX	4,00			--
0016	VTVT15966		SCREW TCEI M 6X25	2,00			--
0017	METT00065		CONTACTOR 36 V	1,00			--
0018	VTVT00881		SCREW TC+ M4x6 TRILOBATA INOX	4,00			--
0019	MEVR00145		FUSE 100A	1,00			--
0020	VTDD13942		NUT M 6 UNI 5587 INX	4,00			--
0021	VTRS00503		WASHER D. 6 TE UNI 6798	7,00			--
0022	VTVR00057		ARTICULATION CARDANICO	1,00			--
0023	MEVR01437		INSULATOR 35-CH32-M6 P185	2,00			--
0024	VTVT00900		GRUB SCREW M 6-30 CON ES	2,00			--
0025	MPVR51068		PROTECTOR STERZO CLT 160	1,00			--
0026	MECI00341		BUTTON DI EMERGENZA P185	1,00			--
0027	LAFN04134		WASHER PIGNONE STERZO	1,00			--
0029	VTAE00050		RING D'ARRESTO ALBERO	1,00			--
0030	MPVR47026		BLACK CAP L.14	1,00			--
0031	VTRS44254		WASHER D.10 X40X2.5 UNI6593	1,00	05/2004		--
0032	VTVT01550		SCREW TCCE UNI 5931 6X50 ZB	1,00			--
0033	VTVT21096		SCREW TE M 4X 10 INX	6,00			--
0034	LAFN51017		SPACER CRUSC.	1,00			--
0035	VTVT00666		SCREW TBEI M. 8-10 INOX	1,00			--
0036	MECI00340		SWITCH A CHIAVE X MOT.BATT.P185	1,00			--
0037	MECI00337		SWITCH A LEVA	1,00			--
0038	LAFN05787		ASSEMBLED PIANTONE	1,00			--
0039	MPVR04658		CAP PER TUBO D.20 CLT160	2,00			--
0040	LAFN05765		ASSEMBLED RALLA STERZO	1,00			--
0041	LAFN05763		ASSEMBLED PIASTRA STERZO	1,00			--
0042	LAFN05795		BRACKET PORTAPOMPA	1,00			--
0043	PPPEL00021		PUMP EST. 36V	1,00	06/2006		--



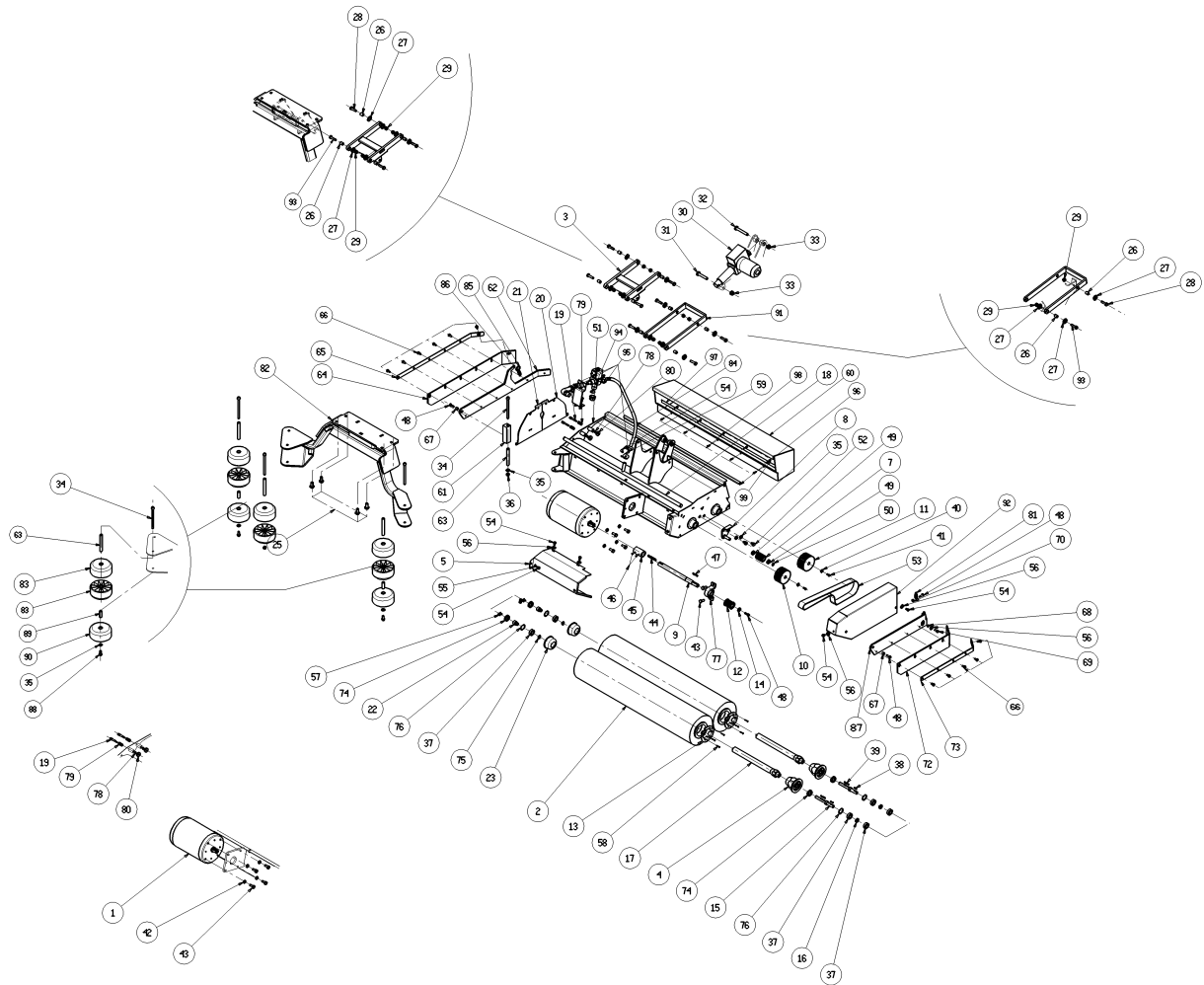
Ref.	K	Part N.	Customer Part N.	Description	Qty	Validity:		Price
						From	To	
0043		PPEL45303		PUMP EST. 36V	1,00		05/2006	--
0044		LAFN05764		ASSEMBLED CORONA STERZO	1,00			--
0045		VTVT00832		SCREW TSPEI M6X16 INOX	6,00			--
0046		CUVR00120		BEARING 6007-2RS1	2,00			--
0047		LAFN04117		BUSHING PORTACISCINETTI	1,00			--
0048		VTRS13947		WASHER D. 8 INX UNI 6592	2,00	11/2005		--
0048		VTRS01776		WASHER D. 8 X17 INX UNI 6593	6,00		11/2005	--
0049		VTVR75747		RING NUT AUTOBLOK M 35 X 1,5 GUK	1,00			--
0050		VTVT13936		SCREW TE M 10X 20	6,00			--
0051		RTRT00250		DRIVE ASSEMBLY V36 560W	1,00			--
0052		CUVR00141		BUSHING SINTERIZZATA STERZO	1,00		11/2005	--
0052		CUVR00105		SUPPORT	1,00	11/2005		--
0053		MTCR00047		CHAIN 3/8" PER STERZO P185	1,06	05/2004		--
0054		MECE00265		BOARD DI POTENZA P185 CPL	1,00			--
0055		MPVR47027		STEERING WHEEL D. 320 L.14	1,00			--
0056		MEQE00050		CONTROL BOARD CPL P160	1,00			--
0057		MEVR01436		BUZZER -	1,00			--
0058		LAFN05788		PLATE PORTAELETTRONICA	1,00			--
0059		VTVT00410		SCREW TE M8x35 UNI5739 INOX	6,00			--
0060		VTVT00717		SCREW TCEI M. 6-16	1,00			--
0061		VTVT00715		SCREW TE M.10-35	2,00			--
0062		VTRS15523		WASHER D.10 X21 INOX UNI 6592	2,00			--
0063		LAFN06487		BRACKET FISSA CARENE DP	1,00			--
0064		LAFN06486		BRACKET FISSA CARENE DP	1,00			--
0065		VTRS00365		THICKNESS 18X25X1	4,00			--
0066		VTVT01127		SCREW TE M 10X190 UNI 5737 ZC	2,00			--
0067		MTCR47037		WARP KNITTING 3/8	1,00	06/2004		--
0068		LAFN07030		PLATE SOSTEGNO RIDUTTORE	1,00	11/2005		--
0069		VTVT15916		SCREW TE M 8X 16 UNI 5739 A2	2,00	11/2005		--
0070		LAFN07029		PLATE SOSTEGNO RIDUTTORE	1,00	11/2005		--
0071		GUGO00415		GASKET PANNELLO COMANDI CT160	1,00			--
0072		RTRT00430		RING GOMMA RUOTA ANT.	1,00			--



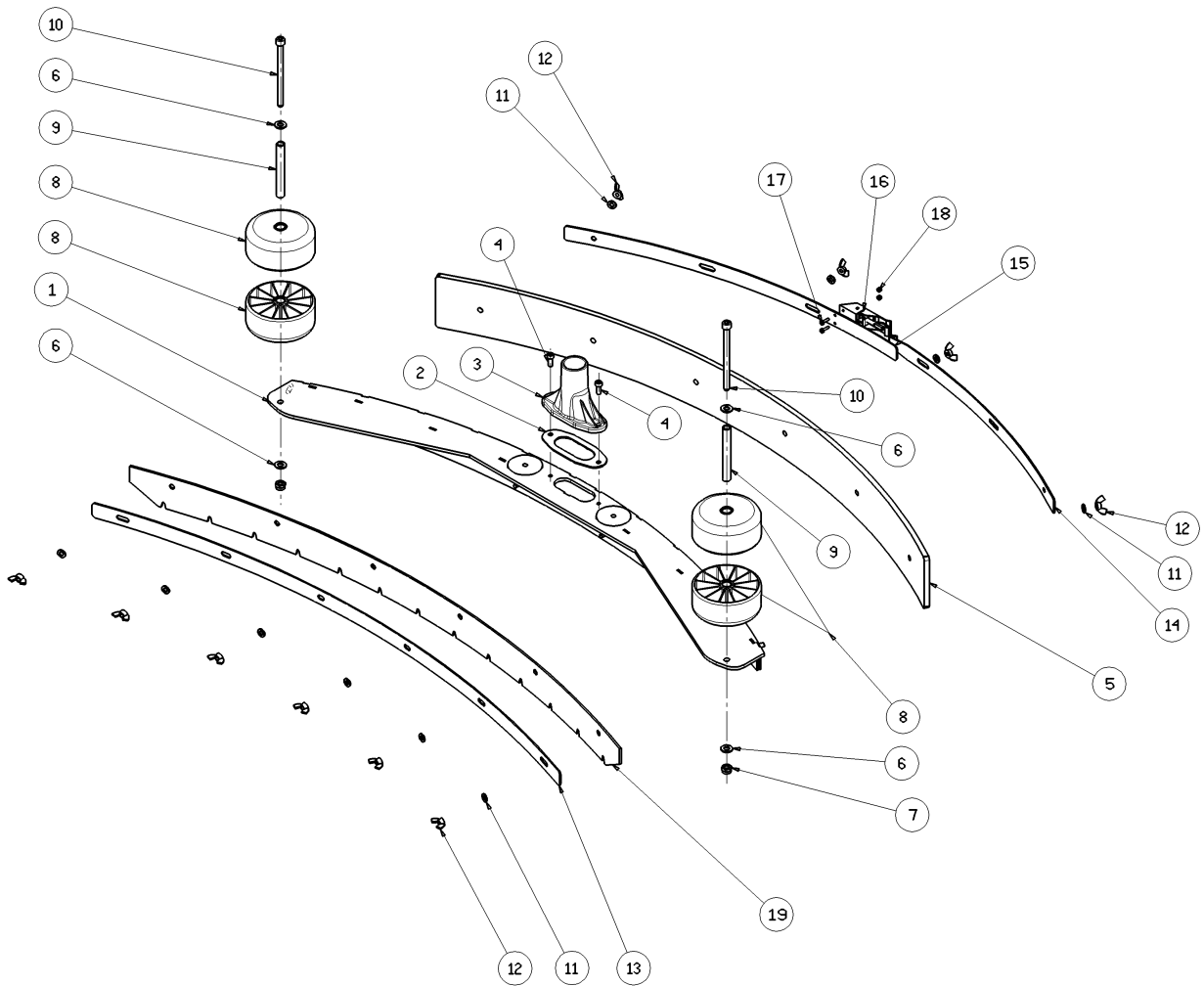
Ref. K	Part N.	Customer Part N.	Description	Qty	Validity: From	To	Price
0001	MOCC00166		MOTOR TEST.ROLL.P185	1,00	11/2003		--
0002	SPPV00457		ROLLER PP,0,5 SPAZZ.RULLI CLT160	2,00	11/2003		--
0003	LAFN05879		ASSEMBLED BRACCIO SUPP.PARALLEL.	2,00	11/2003		--
0004	LAFN44774		HUB 1050	2,00	12/2003		--
0005	LAFN05891		CRANKCASE ALBERO MOTORE P185	1,00	11/2003		--
0007	MTPL00155		ROLLER TENDICINGHIA P185 ROLL.	1,00	11/2003		--
0008	LAFN05884		ASSEMBLED TENDICINGHIA P185	1,00	11/2003		--
0009	LAFN04178		SHAFT PROLUNGA MOTORE P185	1,00	11/2003		--
0010	MTPL00152		PULLEY RULLO SPAZZOLA ANTER,P185	1,00	11/2003		--
0011	MTPL00153		PULLEY RULLO SPAZZOLA	1,00	11/2003		--
0012	MTPL00154		PULLEY MOTORE TESTATA P185	1,00	11/2003		--
0013	LAFN05893		DRIVE DISK SPAZZOLA P185 ROLLER	2,00	11/2003		--
0014	LAFN04179		WASHER FISSA PULEGGIA P185	3,00	07/2004		--
0015	LAFN04174		SHAFT COMANDO SPAZZOLE P185	2,00	11/2003		--
0016	LAFN04173		SPACER CUSCINETTO P185 ROLLER	2,00	11/2003		--
0017	LAFN04176		SHAFT INSERIMENTO SPAZZOLE P185	2,00	11/2003		--
0018	LAFN05885		TUBE DISTRIB. DETERGENTE P185	1,00	11/2003		--
0019	LAFN04180		PIN CHIAVIST.PORTELLO P185	2,00	11/2003		--
0020	LAFN05888		PLATE PORTELLO POSTER. P185	1,00	11/2003		--
0021	LAFN05889		PLATE PORTELLO ANTER. P185	1,00	11/2003		--
0022	LAFN04181		PIN SOSTEGNO SPAZZOLA P185	2,00	11/2003		--
0023	MPVR04128		SUPPORT SPAZZOLA CLT 150 BT	2,00	11/2003		--
0025	VTVT13936		SCREW TE M 10X 20	4,00			--
0026	LAFN04151		BUSHING X PARALLELOGRAMMA	8,00	11/2003		--
0027	VTRS15978		WASHER D.12X24 UNI 6592 INX	12,00	05/2005		--
0028	VTVT13937		SCREW TE M 8X 30 INX UNI 5739	4,00	05/2005		--
0029	VTDD01695		NUT M 8 INX	10,00	06/2005		--
0030	MOCC00140		ATUATOR TEST.AO1-C 36V	1,00	06/2005		--
0031	VTVT01002		SCREW TE M10X65 INOX	1,00			--
0032	VTVT01000		SCREW TE M 10-75 INOX UNI 5737	1,00	12/2003		--
0033	VTDD10310		NUT AUTOBL.M10 INOX DIN 985	2,00			--
0034	VTVT67560		SCREW TCEI M8X110 INOX AISI 304	3,00	10/2004		--
0035	VTRS13947		WASHER D. 8 INX UNI 6592	5,00	10/2004		--
0037	CUVR46942		BALL BEARING 6001-2RS1 -SKF	6,00	11/2004		--
0038	VTVR62776		KEY M4X4X16 UNI 6604	2,00	12/2003		--
0039	VTVR00300		KEY 4X4X28	2,00	12/2003		--
0040	VTRS15958		WASHER D. 5 X15 UNI 6593	2,00			--
0041	VTVT01300		SCREW TE M5X12 INOX	6,00	12/2003		--
0042	VTRS00269		WASHER D. 8 DIN 6798-A INX A2	4,00			--



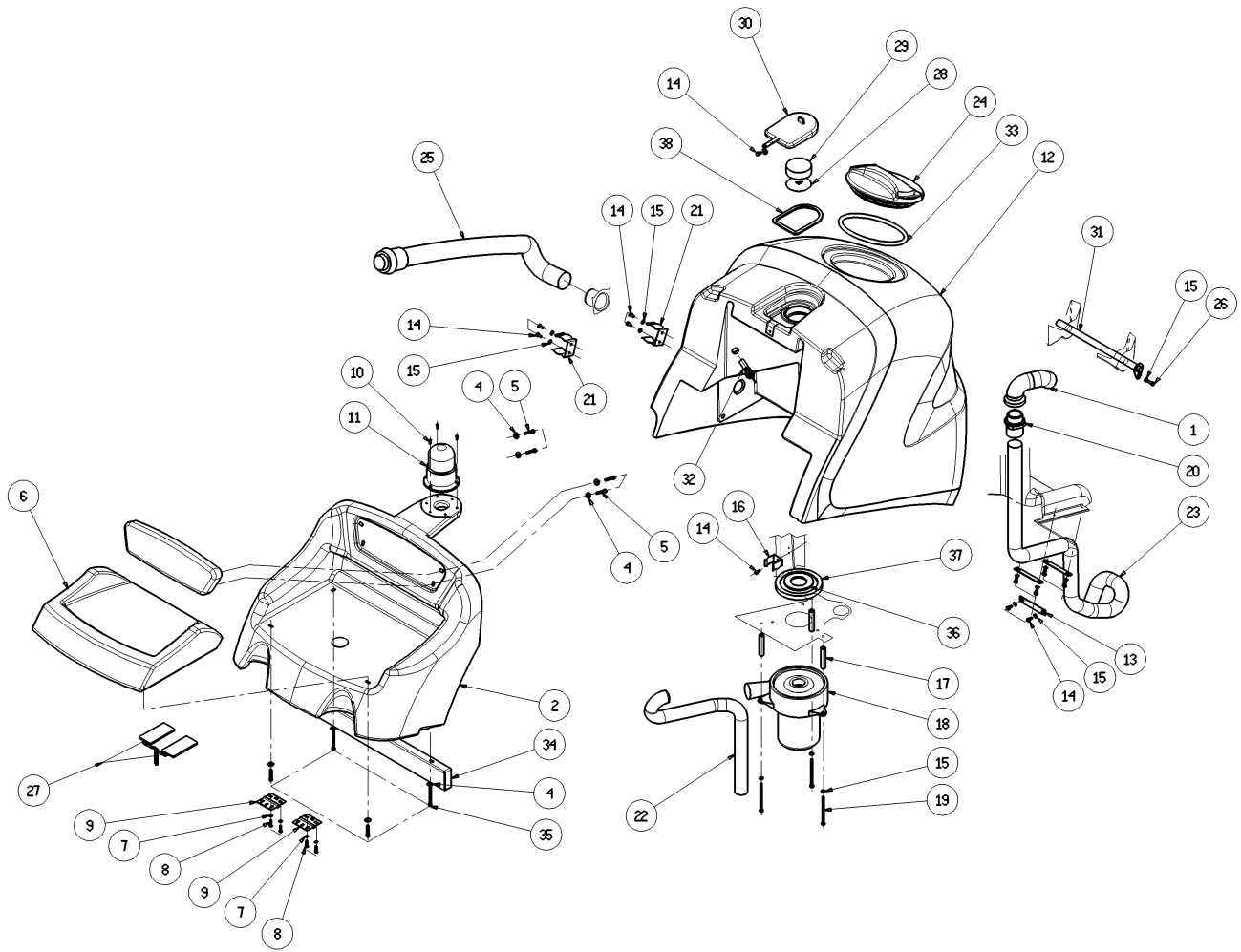
Ref. K	Part N.	Customer Part N.	Description	Qty	Validity: From	To	Price
0043	VTVT13938		SCREW TE 8X20 UNI5739 INX	6,00			--
0044	VTVR00301		KEY 6X6X50	1,00	12/2003		--
0045	LAFN04177		JOINT ALBERO MOTORE P185	1,00	11/2003		--
0046	VTVT01301		GRUB SCREW M 6 X 6 UNI 5929	2,00	12/2003		--
0047	VTVR13164		KEY 5X5X30	1,00	12/2003		--
0048	VTVT13939		SCREW TE 6X20 UNI5739 INX	4,00			--
0049	CUVR22000		BALL BEARING 61800 2rs1	2,00	12/2003		--
0050	VTAE13511		CIRCLIP D. 10 UNI 7435	1,00	12/2003		--
0051	LAFN05877		ASSEMBLED TESTATA RULLI P185	1,00	11/2003		--
0052	VTVT01302		SCREW TE M8-12 INOX	2,00			--
0053	MTCG87404		BELT DENT.835 RPP5DD 32MM	1,00	12/2003		--
0054	VTVT01303		SCREW TE M6-10 INOX	6,00	12/2003		--
0055	VTRS00245		WASHER D.6 UNI 6592 INOX	1,00	12/2003		--
0056	VTRS13945		WASHER D. 6X18 INX UNI 6593	5,00			--
0058	VTVT00744		SCREW	6,00	12/2003		--
0059	LAFN05890		PLATE FISSA TUBO P185	1,00	11/2003		--
0060	LAFN05886		DRAWER TESTATA ARULLI METALL.	1,00	11/2003		--
0061	LAFN04185		BLOCK PER PORTAFLAP P185	1,00	11/2003		--
0062	LAFN05881		PLATE PORTAFLAP DX TESTATA P185	1,00	11/2003		--
0063	LAFN04127		PIN RULLO PARACOLPI	3,00	05/2005		--
0064	MPVR02845		FLAP LATERALE SX TESTATA	1,00	11/2003		--
0065	LAFN05883		PLATE FISSA FLAP DX	1,00	11/2003		--
0066	VTVT15906		SCREW TE 6X 12 A2 UNI 5739	11,00	05/2005		--
0067	LAFN04184		BUSHING P185 ROLL.	2,00	11/2003		--
0068	LAFN04183		BUSHING CORTA P185	1,00	11/2003		--
0069	VTVT15143		SCREW TE 6X16 UNI5739	1,00			--
0070	VTDD01694		NUT M 6 INX	1,00	12/2003		--
0072	MPVR02846		FLAP LATERALE DX TESTATA	1,00	11/2003		--
0073	LAFN05882		PLATE FISSA FLAP SX TESTATA	1,00	11/2003		--
0074	PVVR63550		PACKING D.18X28X7	4,00	12/2003		--
0075	VTAE00051		CIRCLIP X ALBERO D. 12 U7435 INX	2,00			--
0076	VTAE00046		RING SEEGER FORO 28	4,00	12/2003		--
0077	CUVR49833		BALL BEARING SBPP 203	1,00	12/2003		--
0078	VTRS00516		WASHER D. 5 INX	2,00	12/2003		--
0079	MLML00248		SPRING A COMPRESS. P185	2,00	11/2003		--
0080	VTVR00411		HANDWHEEL VTB/20	2,00	12/2003		--
0081	MLML02800		SPRING PRESSIONE FLAP LATER.	1,00	12/2003		--
0082	LAFN05924		ASSEMBLED ROLL-BAR R750FL	1,00	11/2003		--
0083	MPVR02894		ROLLER PARACOLPI	6,00	10/2004		--



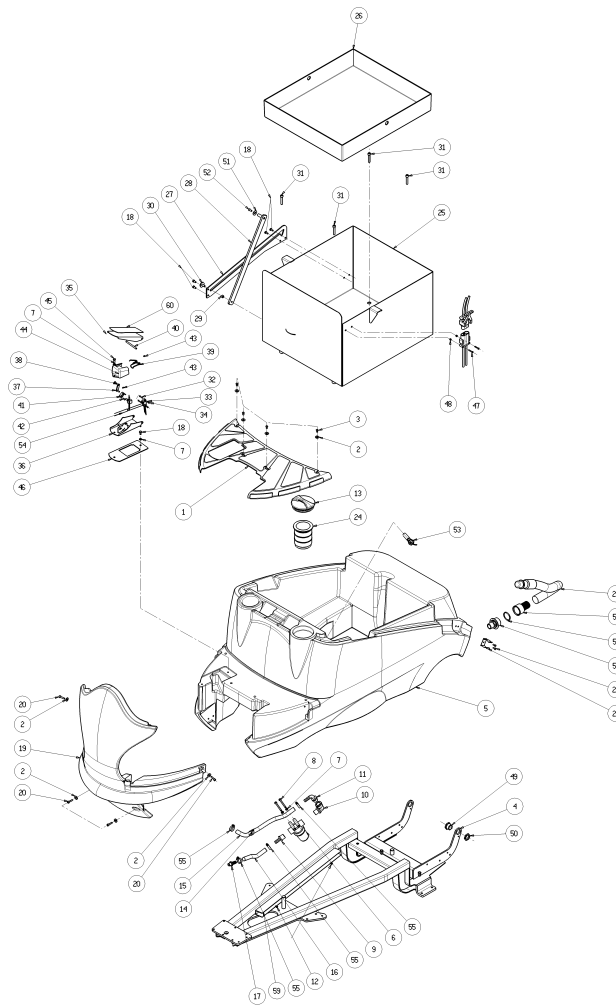
Ref. K	Part N.	Customer Part N.	Description	Qty	Validity:		Price
					From	To	
0084	TBBP00398		TUBE COMBUSTIBILE L=15 cm	1,00			--
0085	MLML00292		SPRING FLAP LAT. DX TESTATA	1,00	07/2004		--
0086	MLML00291		SPRING FLAP LATERALE DX TESTATA	1,00	07/2004		--
0087	LAFN05880		ASSEMBLED PORTAFLAP SX RULLI	1,00	11/2003		--
0088	VTVT13944		SCREW TCEI M 8X20 UNI 5931 INX	2,00	05/2005		--
0089	LAFN06472		BRACKET FISSA CARENE DP	2,00	10/2004		--
0090	RTRT00502		WHEEL PNEUMATICA D 267	2,00	10/2004		--
0091	LAFN05782		ARM SUP./INF	1,00	11/2003		--
0092	LAFN05892		CRANKCASE TRASMISSIONE P185	1,00	11/2003		--
0093	VTVT00410		SCREW TE M8x35 UNI5739 INOX	4,00	05/2005		--
0094	GUGO00268		GASKET D.21 SP.3 GOMMA	1,00	04/2004		--
0095	FSVR00091		CLAMP 14-24	4,00			--
0096	MPVR04922		GASKET CASSETTO	1,00	07/2004		--
0097	LAFN05887		BULKWARD CASSETTO P185	1,00	11/2003		--
0098	VTVT00817		SCREW TE M4x12 UNI 5739 INOX	5,00			--
0099	VTDD00009		NUT AUTOBLOK DIN 985 M4 BASSO	5,00			--



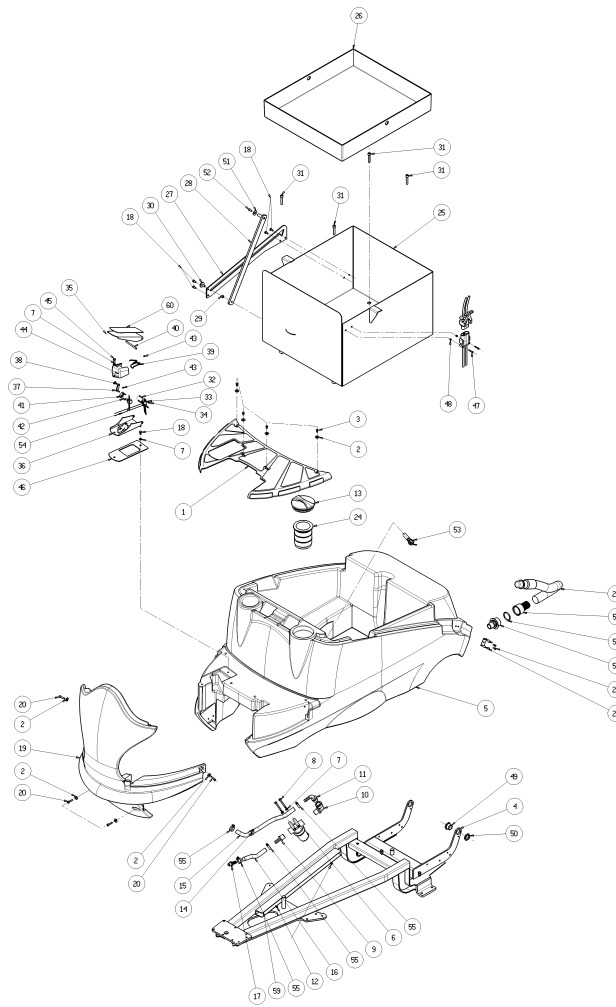
Ref.	K	Part N.	Customer Part N.	Description	Qty	Validity:		Price
						From	To	
0001		LAFN05773		ASSEMBLED TERGITORE 850	1,00			--
0002		GUGO06700		GASKET TERGIPAVIMENTO	1,00			--
0003		MPVR04626		SLEEVE PVC D. 36 MIR.	1,00			--
0004		VTVT00717		SCREW TCEI M. 6-16	2,00			--
0005		MPVR02832		BLADE SQUEEGEE POSTER.P160	1,00	06/2004		--
0006		VTRS13947		WASHER D. 8 INX UNI 6592	4,00			--
0007		VTDD01695		NUT M 8 INX	2,00	06/2005		--
0008		MPVR02894		ROLLER PARACOLPI	4,00			--
0009		LAFN04127		PIN RULLO PARACOLPI	2,00			--
0010		VTVT67560		SCREW TCEI M8X110 INOX AISI 304	2,00			--
0011		VTRS00245		WASHER D.6 UNI 6592 INOX	10,00			--
0012		VTDD00171		NUT M6 INOX	10,00			--
0013		LAFN05770		SHEET METAL PA.FISSA FLAP ANTERIORE	1,00			--
0014		LAFN05771		SHEET METAL PA.FISSA FLAP POST.GANCIO	1,00			--
0015		LAFN05772		SHEET METAL PA.FLAP POST PORTA GANCIO	1,00			--
0016		CHVR00050		CLOSURE A LEVA + GANCIO CLT 160	1,00	07/2004		--
0017		VTVT00722		SCREW	2,00	05/2005		--
0018		VTDD21115		NUT M 3 INOX	2,00	05/2005		--
0019		MPVR02830		BLADE SQUEEGEE ANTERIORE P185	1,00			--



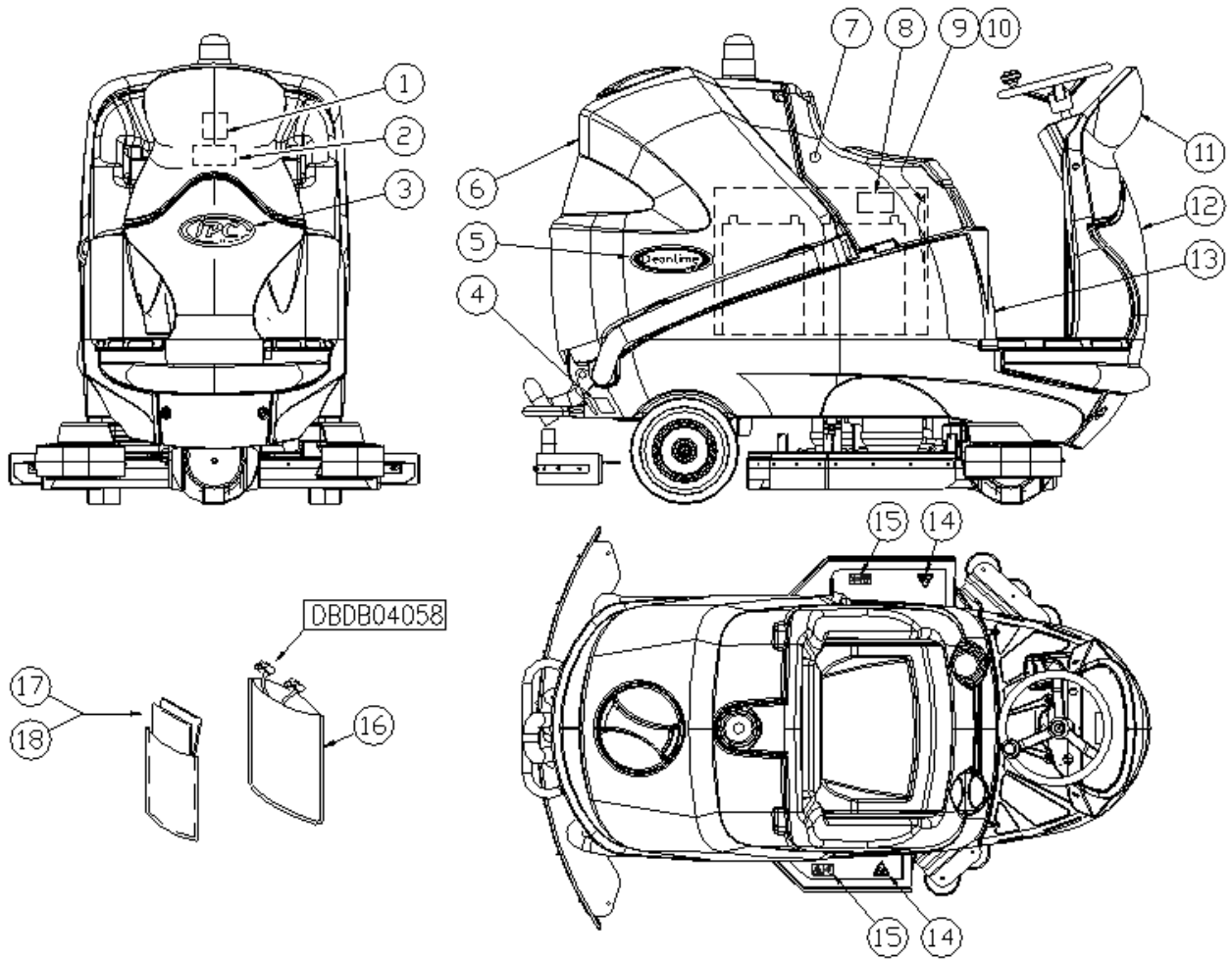
Ref. K	Part N.	Customer Part N.	Description	Qty	Validity: From	To	Price
0001	PMVR02010		ASSEMBLED CURVA ASP.	1,00			--
0003	SESD00020		SHEET METAL PA.CLEANTIME	1,00			--
0004	VTRS86634		WASHER 6X18X1,5 UNI6593	9,00			--
0005	VTVT00729		SCREW TCEI M. 6-35	6,00			--
0006	SESD00021		SEAT	1,00			--
0007	VTRS00502		WASHER D. 5 0.466 UNI 6592	4,00			--
0008	VTVT00306		SCREW TSPEI M5x12 UNI5933	4,00			--
0009	CEVR00060		HINGE PORTA SEDILE P185	2,00			--
0010	VTVT00752		SCREW TC+ M.4,8-19	3,00			--
0011	MELF00040		FLASHING LIGHT	1,00			--
0013	LAFN05829		PLATE FERMA TUBO ASPIRAZIONE	3,00			--
0014	VTVT15906		SCREW TE 6X 12 A2 UNI 5739	12,00			--
0015	VTRS00245		WASHER D.6 UNI 6592 INOX	14,00			--
0016	MPVR46988		CLIP LAV. SHK	1,00			--
0017	LAFN04171		SPACER ASPIRATORE P185	3,00			--
0018	MOCC00252		MOTOR ASPIR.TRIS.36V	1,00			--
0019	VTVT00888		SCREW TE M.6-100	3,00			--
0020	RCDS00024		CONNECTOR PORTAGOMMA 1"1/2	1,00			--
0021	FSVR44166		HOSE CLIP D.50	2,00			--
0022	PMVR01141		TUBE USCITA ARIA DA ASPIRATORE	1,00			--
0023	TBFX00280		TUBE ASPIRAZ.CPL P160	1,00			--
0024	MPVR04051		TANK CAP	1,00			--
0025	PMVR01052		GROUP TUBO TIGRATO	1,00			--
0026	VTVT15143		SCREW TE 6X16 UNI5739	1,00			--
0027	MECI00287		SWITCH MULTIPLO A PRESSIONE	2,00			--
0028	LAFN05830		NET FERMA FILTRO INOX	1,00			--
0029	FTDP00130		FILTER SERB. RECUPERO P185	1,00			--
0030	MPVR04100		CAP ASPIRAZIONE P185	1,00			--
0032	MECI00338		SENSOR DI LIVELLO ORIZZONTALE	1,00		05/2006	--
0032	MECI00400		SENSOR DI LIVELLO ORIZZONTALE	1,00	06/2006		--
0033	GUGO00263		GASKET CIRCOLARE TAPPO	1,00			--
0034	LAFN06824		SPACER L.14	1,00			--
0035	VTVT17342		SCREW TE M 6X 60 UNI 5739 INX	1,00			--
0036	GUGO30649		GASKET LAV.DW.	1,00			--
0037	GUGO31051		GASKET LAV.	1,00			--
0038	GUGO00306		GASKET TENUTA TAPPO	1,00			--



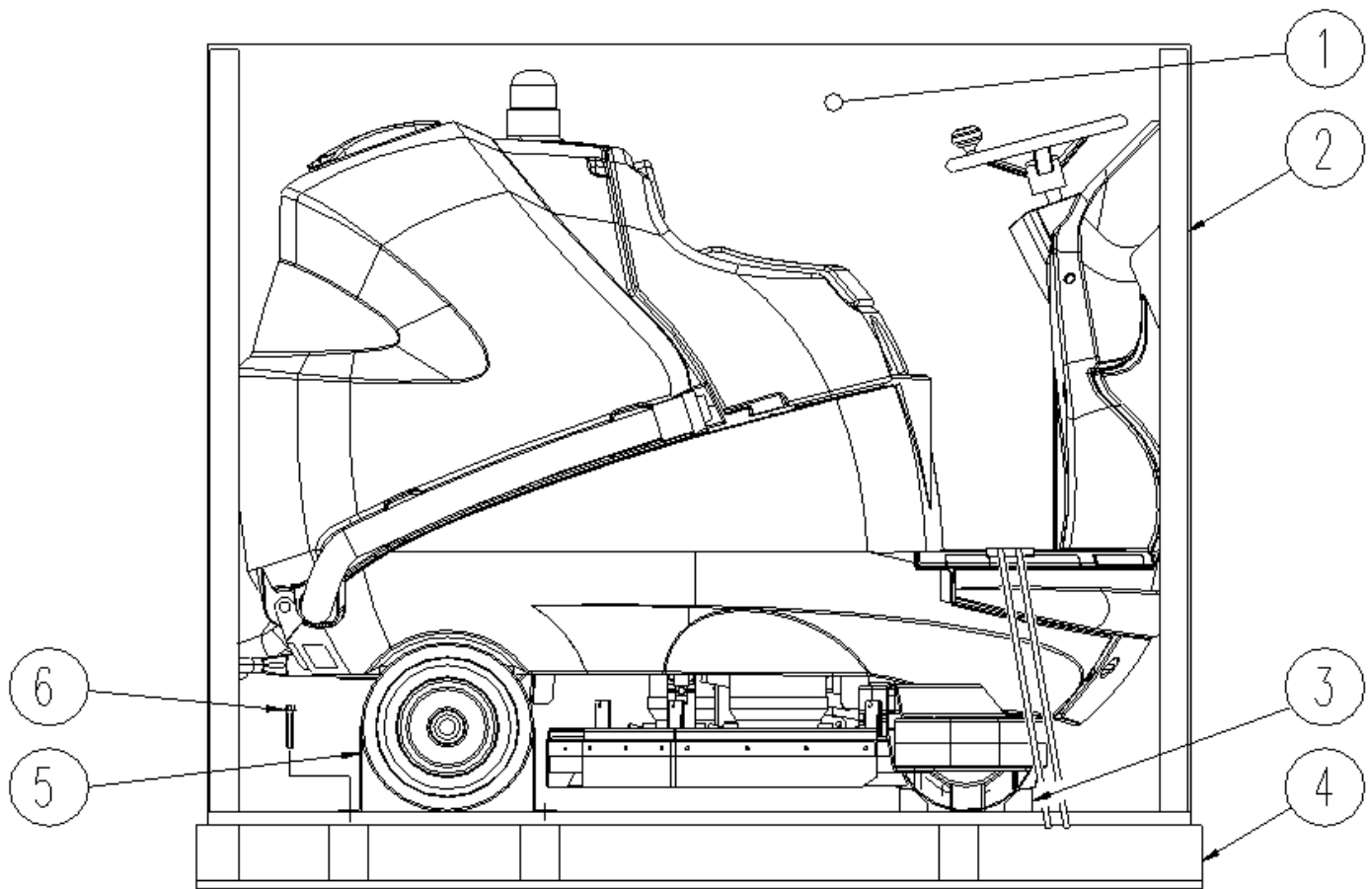
Ref. K	Part N.	Customer Part N.	Description	Qty	Validity:		Price
					From	To	
0001	MPVR03002		PLANE CLEANTIME	1,00			--
0002	VTRS13945		WASHER D. 6X18 INX UNI 6593	8,00			--
0003	VTVT00093		SCREW TBCE ISO 7380 6X12 ZB	4,00			--
0006	FTAC00038		FILTER IN LINEA	1,00			--
0007	VTRS00503		WASHER D. 6 TE UNI 6798	2,00			--
0008	VTVT00699		SCREW TE M. 6-70	2,00			--
0009	RCVR00540		CONNECTOR	1,00			--
0010	RCVR00541		CURVED CONNECT.M/F G1/2 COD.126-2022	1,00			--
0011	RCVR00542		CURVED CONNECT.M G1/2 PORTAG. 113-2213	1,00			--
0012	VTVT85145		SCREW TCB T-CROCE 4,2X9,5 INOX	2,00			--
0013	MPVR04075		CAP PICCOLO "PONY"	1,00			--
0014	FSVR00107		CLAMP KSS CABLE CLAMP	1,00			--
0015	TBBP00319		TUBE L=350	1,00			--
0016	TBBP00369		TUBE ARMONVIN 12X3 L=280 MM	1,00			--
0017	RCVR00547		CONNECTOR PORTAG. DIRIT	1,00			--
0018	VTVT15906		SCREW TE 6X 12 A2 UNI 5739	5,00			--
0020	VTVT15966		SCREW TCEI M 6X25	4,00			--
0021	MPVR46988		CLIP LAV. SHK	1,00			--
0022	VTVT01300		SCREW TE M5X12 INOX	2,00			--
0023	PMVR01139		TUBE SOLUZIONE CLT160	1,00			--
0024	FTAC48857		FILTER ASP. ACQUA SERB. LAVAP.	1,00			--
0026	MPVR04127		PLATE CONTENITORE BATTERIE P185	1,00			--
0027	LAFN05807		GUIDE PER ASTA SERBATOIO P185	1,00			--
0028	LAFN05803		ASSEMBLED ASTA SERBATOIO P185	1,00			--
0029	LAFN04148		BUSHING ASTA SERBATOIO P185	1,00			--
0030	LAFN04147		SCREW ASTA SERBATOIO P185	1,00			--
0031	VTVT00889		SCREW TCEI M. 8-45	4,00			--
0032	VTVT00654		SCREW TC+ M.3-20	2,00			--
0033	VTRS21116		WASHER D. 3 INX	2,00			--
0034	VTDD21115		NUT M 3 INOX	2,00			--
0035	LAFN51064		ASSEMBLED PEDALE AVANZ.SUPER.	1,00			--
0036	LAFN51063		ASSEMBLED BASE PEDALE AVANZ.	1,00			--
0037	LAFN51062		ASSEMBLED BIELLA PEDALE AVANZ.	1,00			--
0038	LAFN51061		PIN AGGANCIAMENTO PEDALE MOB.	1,00			--
0039	MLML00034		SPRING PEDALE AVANZAMENTO G1050	1,00			--
0040	LAFN04159		PIN PEDALE P185	1,00			--
0041	MPVR51061		HANDLE POTENZIOM.	1,00			--
0042	VTVT21096		SCREW TE M 4X 10 INX	1,00			--
0043	VTAE48552		CIRCLIP D. 6 UNI 7435	3,00			--



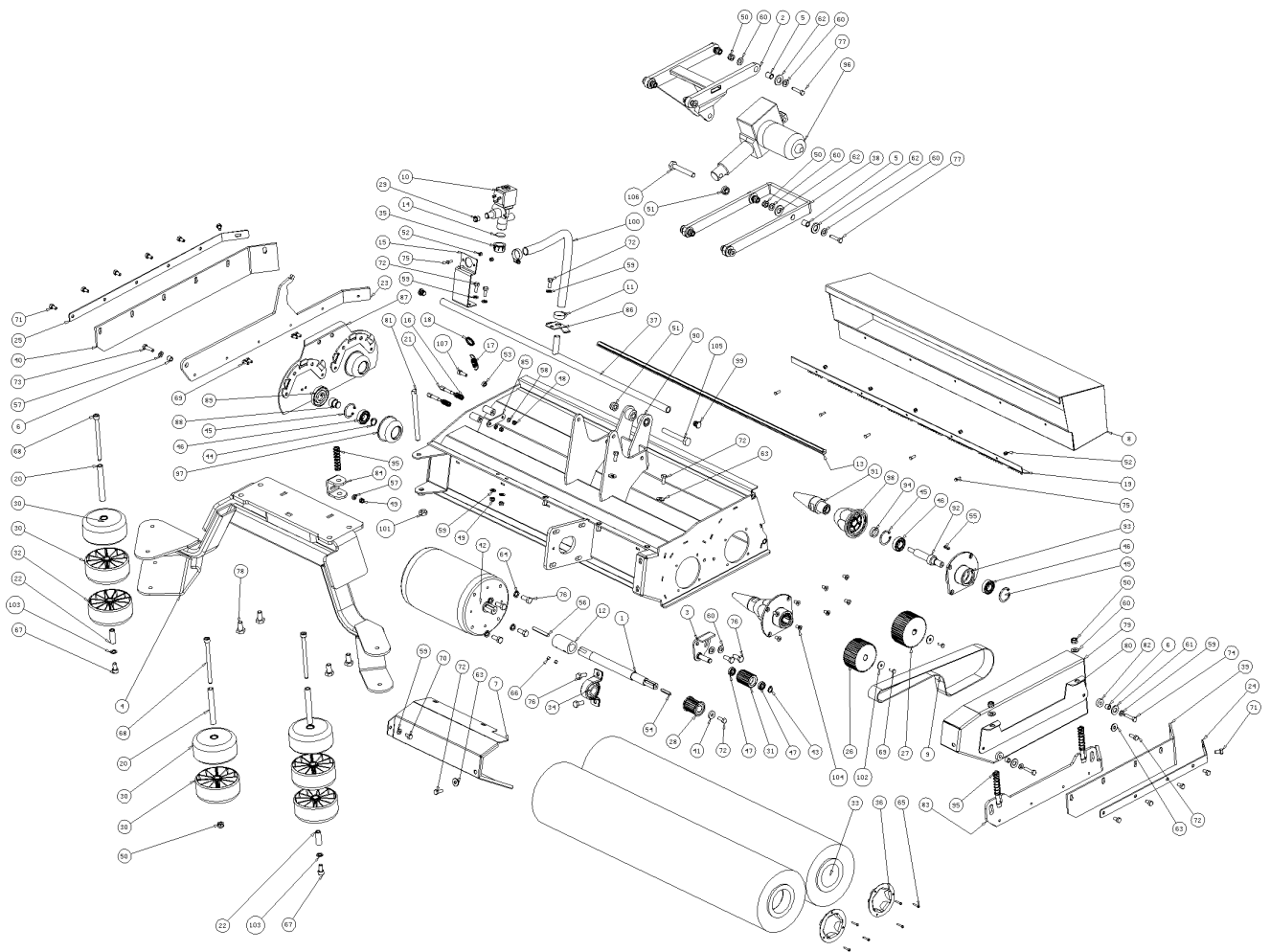
Ref. K	Part N.	Customer Part N.	Description	Qty	Validity:		Price
					From	To	
0044	MPVR51062		COVER POTENZIOM.	1,00			--
0045	VTVT15143		SCREW TE 6X16 UNI5739	1,00			--
0046	LAFN05802		FLANGE PEDALE ACCELERATORE P185	1,00			--
0047	VTVT22203		SCREW TCB-TC 4X25 UNI7687	2,00			--
0048	VTDD00147		NUT M 4 INX U.5588	2,00			--
0049	LAFN51079		ECCENTRIC SERB.RECUP.P185	1,00			--
0050	LAFN51080		RING NUT ECCENTR.SERB.RECUP.P185	1,00			--
0051	VTRS13946		WASHER D. 8 X24 INX UNI 6593	1,00			--
0052	VTVT00832		SCREW TSPEI M6X16 INOX	1,00			--
0053	MECI00338		SENSOR DI LIVELLO ORIZZONTALE	1,00		05/2006	--
0053	MECI00400		SENSOR DI LIVELLO ORIZZONTALE	1,00	06/2006		--
0054	MECB00124		WIRING pedale acceleratore G1050	1,00		05/2006	--
0054	MECB00995		WIRING PEDALE ACCEL.P160	1,00	06/2006		--
0055	FSVR00091		CLAMP 14-24	4,00			--
0056	RCVR00713		REDUCTION MASCHIO/MASCHIO	1,00			--
0057	RCVR00712		CONNECTOR PORTAGOMMA	1,00			--
0058	GUGO00290		GASKET OR (G10052)	1,00			--
0059	MEVR01431		GUIDE PVC GRIGIO 25 X 40	1,00			--
0060	ETET01356		ADHESIVE PEDALE P185	2,00			--
0061	MEVR34820		WIRING B 450 BT	5,00			--



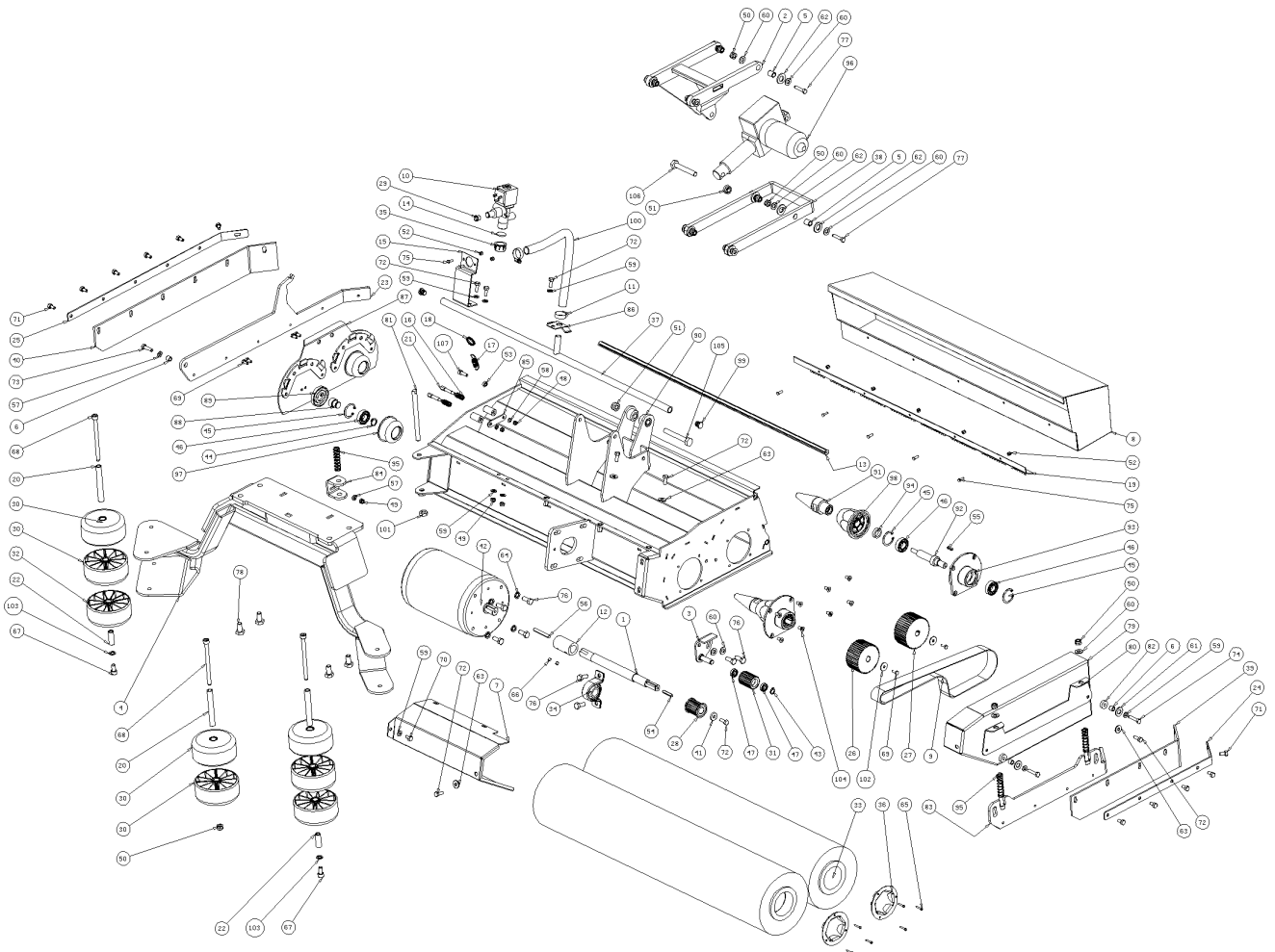
Ref.	K	Part N.	Customer Part N.	Description	Qty	Validity:		Price
						From	To	
0001		ETET00895		ADHESIVE SIMBOLO LEGGERE IL MANUAL	1,00			--
0002		ETET00730		LABEL BATTERIE SCOLLEGATE	1,00			--
0003		ETET02000		LABEL LOGO IPC	1,00			--
0004		ETET00463		ADHESIVE SCARICO ACQUA	1,00			--
0005		ETET01363		LABEL LATERALE CLT 160	2,00			--
0006		MPVR04062		TANK RECUP.CT160	1,00			--
0007		MPVR04096		PEDAL P185	1,00			--
0008		ETET01408		LABEL SCHEMA COLLEG. BATTERIE	1,00			--
0009		MPVR04179		ENVELOPE PORTAMANUALE ADESIVA	1,00			--
0010		PLDC01455		ELEC. DIAGRAM DISEGNO	1,00			--
0011		MPVR04099		SIDE PANEL POSTER. P185	1,00			--
0012		MPVR04058		SIDE PANEL ANTER.P185	1,00			--
0013		MPVR04065		TANK SOLUZ.CT160	1,00			--
0014		ETET00897		ADHESIVE SIMBOLO PERICOLO	2,00			--
0015		ETET00906		ADHESIVE SIMBOLO PERICOLO DI ABRAS	2,00			--
0016		MIVR00064		ENVELOPE PORTA CABLAGGI	1,00			--
0017		PLDC01503		SP.PARTS LIST CLEANTIME 160	1,00			--
0018		PLDC01504		INSTR.MANUAL NEUTRO CLEANTIME 160	1,00			--



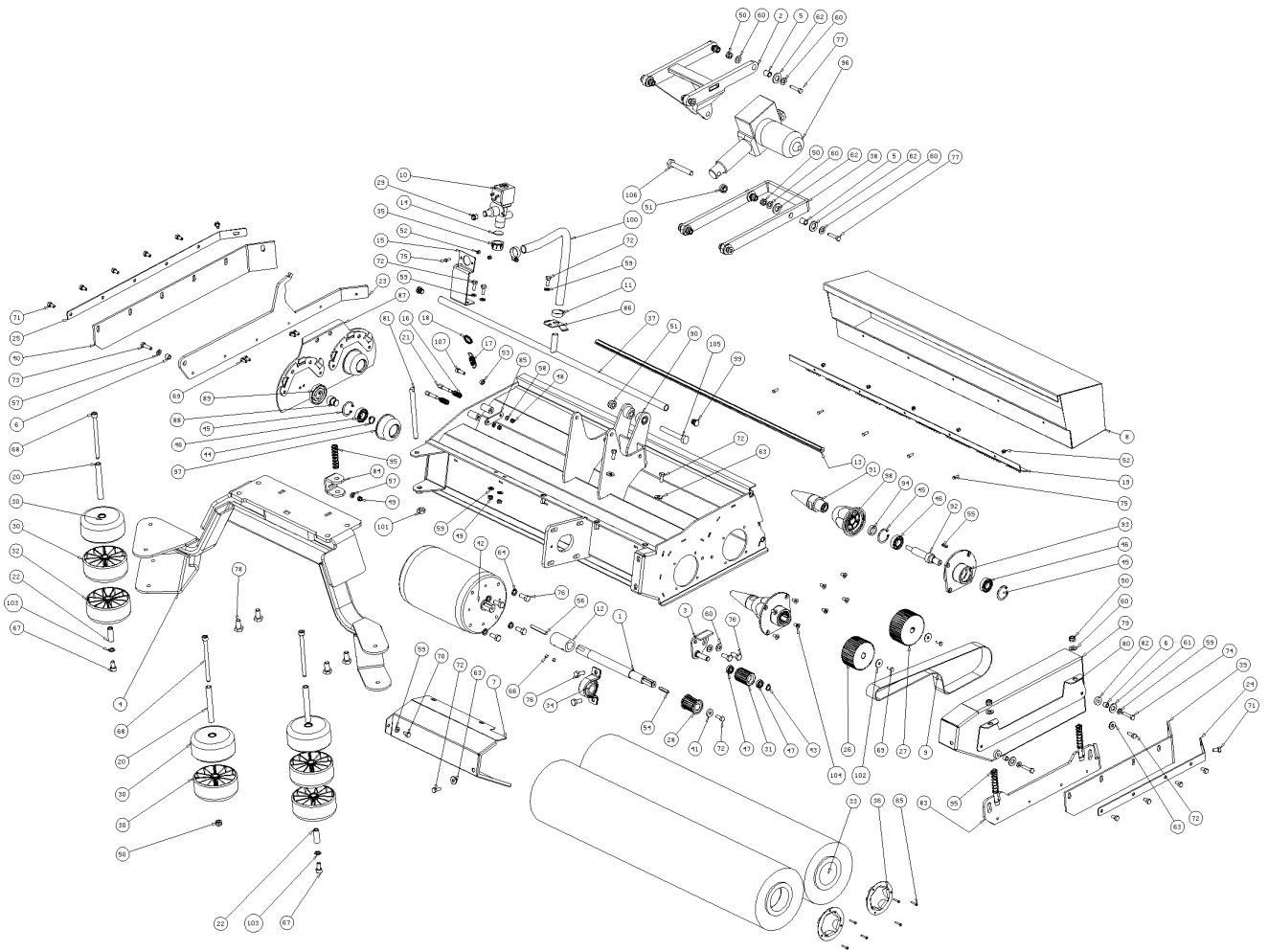
Ref. K	Part N.	Customer Part N.	Description	Qty	Validity:		Price
					From	To	
0003	MIVR00065		LATH PER BLOCC. RUOT. 450/530	2,00			--
0006	VTVT00770		SCREW TE AUTOF. 8X50	4,00			--



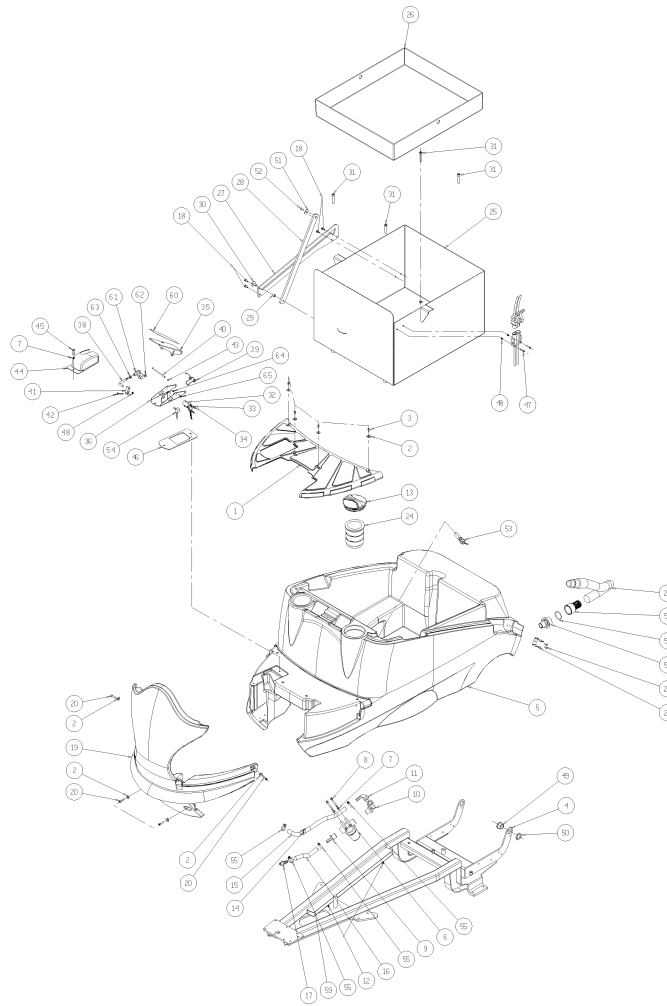
Ref. K	Part N.	Customer Part N.	Description	Qty	Validity:		Price
					From	To	
0001	LAFN04178		SHAFT PROLUNGA MOTORE P185	1,00			--
0002	LAFN05879		ASSEMBLED BRACCIO SUPP.PARALLEL.	1,00			--
0003	LAFN05884		ASSEMBLED TENDICINGHIA P185	1,00			--
0004	LAFN05924		ASSEMBLED ROLL-BAR R750FL	1,00			--
0005	LAFN04151		BUSHING X PARALLELOGRAMMA	8,00			--
0006	LAFN04184		BUSHING P185 ROLL.	3,00			--
0007	LAFN05891		CRANKCASE ALBERO MOTORE P185	1,00			--
0008	LAFN05886		DRAWER TESTATA ARULLI METALL.	1,00			--
0009	MTCG87404		BELT DENT.835 RPP5DD 32MM	1,00			--
0010	MEEV00021		SOLENOID VALVE RIF. D160SS10/K/20Z	1,00			--
0011	FSVR00091		CLAMP 14-24	2,00			--
0012	LAFN04177		JOINT ALBERO MOTORE P185	1,00			--
0013	MPVR04922		GASKET CASSETTO	1,00			--
0014	GUGO00268		GASKET D.21 SP.3 GOMMA	1,00			--
0015	LAFN05835		BRACKET PORTAELETTROVALVOLA	1,00			--
0016	MLML00248		SPRING A COMPRESS. P185	2,00			--
0017	MLML00291		SPRING FLAP LATERALE DX TESTATA	1,00			--
0018	MLML00292		SPRING FLAP LAT. DX TESTATA	1,00			--
0019	LAFN05887		BULKWARD CASSETTO P185	1,00			--
0020	LAFN04127		PIN RULLO PARACOLPI	3,00			--
0021	LAFN04180		PIN CHIAVIST.PORTELLI P185	2,00			--
0022	LAFN06472		BRACKET FISSA CARENE DP	2,00			--
0023	LAFN05881		PLATE PORTAFLAP DX TESTATA P185	1,00			--
0024	LAFN05882		PLATE FISSA FLAP SX TESTATA	1,00			--
0025	LAFN05883		PLATE FISSA FLAP DX	1,00			--
0026	MTPL00152		PULLEY RULLO SPAZZOLA ANTER,P185	1,00			--
0027	MTPL00153		PULLEY RULLO SPAZZOLA	1,00			--
0028	MTPL00154		PULLEY MOTORE TESTATA P185	1,00			--
0029	MPVR02897		REDUCTION D.10-6.5 PER ELETTROVALV.	1,00			--
0030	LAFN04040		BUSHING	6,00			--
0031	MTPL00155		ROLLER TENDICINGHIA P185 ROLL.	1,00			--
0032	RTRT00502		WHEEL PNEUMATICA D 267	2,00			--
0033	SPPV00457		ROLLER PP.0,5 SPAZZ.RULLI CLT160	2,00			--
0034	CUVR00170		BALL BEARING SBPP 203	1,00			--
0035	RCVR00353		CAP 1/2"G X ELETTROV. ACL	1,00			--
0036	LAFN05893		DRIVE DISK SPAZZOLA P185 ROLLER	2,00			--
0037	LAFN05885		TUBE DISTRIB. DETERGENTE P185	1,00			--
0038	LAFN05782		ARM SUP./INF	1,00			--
0039	MPVR02846		FLAP LATERALE DX TESTATA	1,00			--



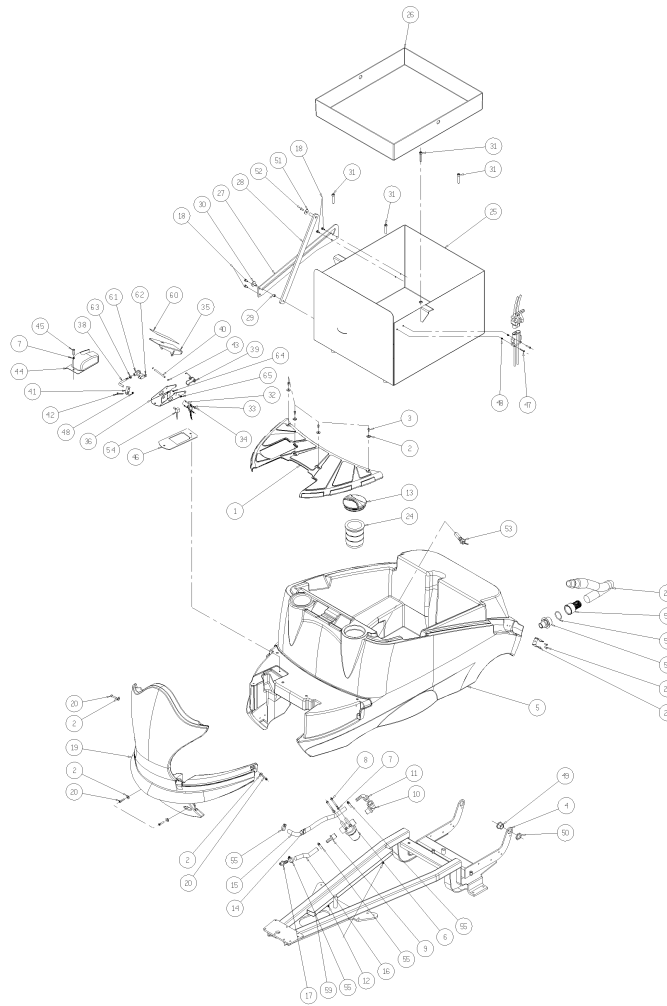
Ref. K	Part N.	Customer Part N.	Description	Qty	Validity:		Price
					From	To	
0040	MPVR02845		FLAP LATERALE SX TESTATA	1,00			--
0041	LAFN04179		WASHER FISSA PULEGGIA P185	1,00			--
0042	MOCC00166		MOTOR TEST.ROLL.P185	1,00			--
0043	VTAE13511		CIRCLIP D. 10 UNI 7435	1,00			--
0044	VTAE17003		CIRCLIP D. 15 UNI 7435	2,00			--
0045	VTAE32478		CIRCLIP D. 32 UNI 7437	6,00			--
0046	CUVR00164		BEARING 6002RS -SKF-	6,00			--
0047	CUVR22000		BALL BEARING 61800 2rs1	2,00			--
0048	VTDD00017		NUT AUTOBLOK DIN 985 M5	2,00			--
0049	VTDD00010		NUT AUTOBLOK DIN 985 M6 BASSO	3,00			--
0050	VTDD01695		NUT M 8 INX	11,00			--
0051	VTDD10310		NUT AUTOBL.M10 INOX DIN 985	2,00			--
0052	VTDD00009		NUT AUTOBLOK DIN 985 M4 BASSO	7,00			--
0053	VTDD00053		NUT M6 INOX UNI5589	1,00			--
0054	VTVR13164		KEY 5X5X30	1,00			--
0055	VTVR62776		KEY M4X4X16 UNI 6604	2,00			--
0056	VTVR00301		KEY 6X6X50	1,00			--
0057	VTRS00503		WASHER D. 6 TE UNI 6798	2,00			--
0059	VTRS00503		WASHER D. 6 TE UNI 6798	8,00			--
0060	VTRS13947		WASHER D. 8 INX UNI 6592	20,00			--
0061	VTRS15523		WASHER D.10 X21 INOX UNI 6592	2,00			--
0062	VTRS15978		WASHER D.12X24 UNI 6592 INX	12,00			--
0063	VTRS13945		WASHER D. 6X18 INX UNI 6593	4,00			--
0064	VTRS00269		WASHER D. 8 DIN 6798-A INX A2	4,00			--
0065	VTVT00744		SCREW	6,00			--
0066	VTVT01301		GRUB SCREW M 6 X 6 UNI 5929	2,00			--
0067	VTVT00876		SCREW TCEI M.8-16	2,00			--
0068	VTVT67560		SCREW TCEI M8X110 INOX AISI 304	3,00			--
0069	VTVT01300		SCREW TE M5X12 INOX	6,00			--
0070	VTVT01303		SCREW TE M6-10 INOX	1,00			--
0071	VTVT15906		SCREW TE 6X 12 A2 UNI 5739	11,00			--
0072	VTVT15143		SCREW TE 6X16 UNI5739	8,00			--
0073	VTVT15141		SCREW TE M 6X 25 UNI 5739 INX	1,00			--
0074	VTVT00433		SCREW TE M 6X 30 UNI 5739 INX	2,00			--
0075	VTVT00817		SCREW TE M4x12 UNI 5739 INOX	7,00			--
0076	VTVT13938		SCREW TE 8X20 UNI5739 INX	8,00			--
0077	VTVT00410		SCREW TE M8x35 UNI5739 INOX	8,00			--
0078	VTVT13936		SCREW TE M 10X 20	4,00			--
0079	LAFN06393		CRANKCASE TRASMISSIONE P185	1,00			--



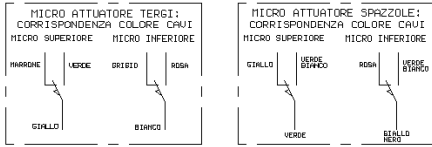
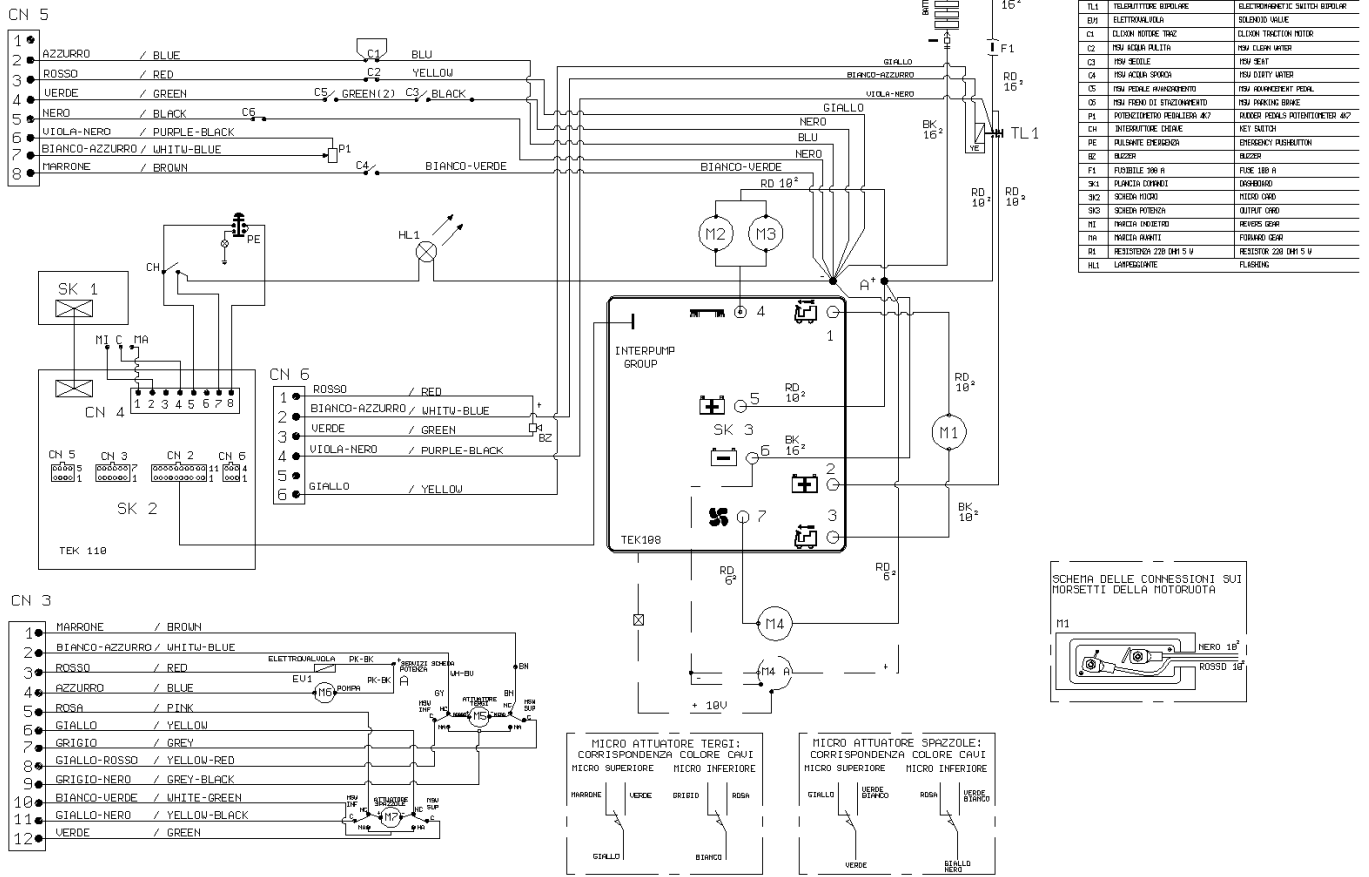
Ref. K	Part N.	Customer Part N.	Description	Qty	Validity:		Price
					From	To	
0080	LAFN06394		PLATE REAZIONE FLAP SX	1,00			--
0081	LAFN06395		PIN REGISTRO FLAP DX	1,00			--
0082	LAFN06396		SPACER FLAP SX	2,00			--
0083	LAFN06397		DOOR FLAP SX COMPLETO	1,00			--
0084	LAFN07033		BRACKET FLAP DX	1,00			--
0085	LAFN07034		SHEET METAL PA.SGANCIO PORTELLO	1,00			--
0086	LAFN07035		BRACKET FERMATUBO DETERGENTE	1,00			--
0087	LAFN09020		DOOR	1,00			--
0088	LAFN09021		PIN SOSTEGNO SPAZZOLA P185	2,00			--
0089	LAFN09022		FLANGE	2,00			--
0090	LAFN09023		FRAME ROLLER BRUSH	1,00			--
0091	LAFN10125		SHAFT INSERIMENTO SPAZZOLE	2,00			--
0092	LAFN10126		SHAFT	2,00			--
0093	LAFN10127		PLATE	2,00			--
0094	LAFN10128		SPACER	2,00			--
0095	MLML00302		SPRING REGISTRAZIONE FLAP	3,00			--
0096	MOCC00304		ATUATOR TEST.AO1-C 36V	1,00	06/2006		--
0097	MPVR04720		ROLLER	2,00			--
0098	MPVR05137		HUB TRASCINATORE SPAZZ. CENT.	2,00			--
0099	MPVR05163		TIE ROD FISSA FILTRO	2,00			--
0100	TBFX48011		TUBE FLEX D.12X3 ARMORV.PVC TR	1,00			--
0101	VTDD00008		NUT UNI 5589 M10 BASSO ZB	1,00			--
0102	VTRS00016		WASHER UNI 6593 5X20X1,5 ZB	2,00			--
0103	VTRS13947		WASHER D. 8 INX UNI 6592	2,00			--
0104	VTVT00678		SCREW	8,00			--
0105	VTVT01000		SCREW TE M 10-75 INOX UNI 5737	1,00			--
0106	VTVT01002		SCREW TE M10X65 INOX	1,00			--
0107	VTVT06237		SCREW TCEI 6X20 UNI5931	1,00			--



Ref.	K	Part N.	Customer Part N.	Description	Qty	Validity: From To	Price
0001		MPVR03002		PLANE CLEANTIME	1,00		--
0002		VTRS13945		WASHER D. 6X18 INX UNI 6593	8,00		--
0003		VTVT00093		SCREW TBCE ISO 7380 6X12 ZB	4,00		--
0006		FTAC00038		FILTER IN LINEA	1,00		--
0007		VTRS00503		WASHER D. 6 TE UNI 6798	2,00		--
0008		VTVT00699		SCREW TE M. 6-70	2,00		--
0009		RCVR00540		CONNECTOR	1,00		--
0010		RCVR00541		CURVED CONNECT.M/F G1/2 COD.126-2022	1,00		--
0011		RCVR00542		CURVED CONNECT.M G1/2 PORTAG. 113-2213	1,00		--
0012		VTVT85145		SCREW TCB T-CROCE 4,2X9,5 INOX	2,00		--
0013		MPVR04075		CAP PICCOLO "PONY"	1,00		--
0014		FSVR00107		CLAMP KSS CABLE CLAMP	1,00		--
0015		TBBP00319		TUBE L=350	1,00		--
0016		TBBP00369		TUBE ARMONVIN 12X3 L=280 MM	1,00		--
0017		RCVR00547		CONNECTOR PORTAG. DIRIT	1,00		--
0018		VTVT15906		SCREW TE 6X 12 A2 UNI 5739	5,00		--
0020		VTVT15966		SCREW TCEI M 6X25	4,00		--
0021		MPVR46988		CLIP LAV. SHK	1,00		--
0022		VTVT01300		SCREW TE M5X12 INOX	2,00		--
0023		PMVR01139		TUBE SOLUZIONE CLT160	1,00		--
0024		FTAC48857		FILTER ASP. ACQUA SERB. LAVAP.	1,00		--
0026		MPVR04127		PLATE CONTENITORE BATTERIE P185	1,00		--
0027		LAFN05807		GUIDE PER ASTA SERBATOIO P185	1,00		--
0028		LAFN05803		ASSEMBLED ASTA SERBATOIO P185	1,00		--
0029		LAFN04148		BUSHING ASTA SERBATOIO P185	1,00		--
0030		LAFN04147		SCREW ASTA SERBATOIO P185	1,00		--
0031		VTVT00889		SCREW TCEI M. 8-45	4,00		--
0032		VTVT00654		SCREW TC+ M.3-20	2,00		--
0033		VTRS21116		WASHER D. 3 INX	2,00		--
0034		VTDD21115		NUT M 3 INOX	2,00		--
0035		LAFN06474		SHEET METAL PA.PEDALE	1,00		--
0036		LAFN06473		SHEET METAL PA.PEDALE	1,00		--
0038		LAFN00909		BRACKET BIELLETTA PEDALE	1,00		--
0039		MLML00034		SPRING PEDALE AVANZAMENTO G1050	1,00		--
0040		LAFN00524		PIN PEDALE TK 1050	1,00		--
0041		LAFN01149		CONNECTING ROD PEDALE AVANZAMENTO G1050	1,00		--
0042		VTVT21096		SCREW TE M 4X 10 INX	1,00		--
0043		VTAE48552		CIRCLIP D. 6 UNI 7435	3,00		--
0044		MPVR00302		CRANKCASE PEDALE AVANZAMENTO	1,00		--



Ref.	K	Part N.	Customer Part N.	Description	Qty	Validity:		Price
						From	To	
0045		VTVT15143		SCREW TE 6X16 UNI5739	1,00			--
0046		LAFN05802		FLANGE PEDALE ACCELERATORE P185	1,00			--
0047		VTVT22203		SCREW TCB-TC 4X25 UNI7687	2,00			--
0048		VTDD00147		NUT M 4 INX U.5588	2,00			--
0049		LAFN51079		ECCENTRIC SERB.RECUP.P185	1,00			--
0050		LAFN51080		RING NUT ECCENTR.SERB.RECUP.P185	1,00			--
0051		VTRS13946		WASHER D. 8 X24 INX UNI 6593	1,00			--
0052		VTVT00832		SCREW TSPEI M6X16 INOX	1,00			--
0053		MECI00338		SENSOR DI LIVELLO ORIZZONTALE	1,00		05/2006	--
0053		MECI00400		SENSOR DI LIVELLO ORIZZONTALE	1,00	06/2006		--
0054		MECB00124		WIRING pedale acceleratore G1050	1,00		05/2006	--
0054		MECB00995		WIRING PEDALE ACCEL.P160	1,00	06/2006		--
0055		FSVR00091		CLAMP 14-24	4,00			--
0056		RCVR00713		REDUCTION MASCHIO/MASCHIO	1,00			--
0057		RCVR00712		CONNECTOR PORTAGOMMA	1,00			--
0058		GUGO00290		GASKET OR (G10052)	1,00			--
0059		MEVR01431		GUIDE PVC GRIGIO 25 X 40	1,00			--
0060		MPVR00866		PLANE ANTISDRUCCIOLO G1050	1,00			--
0061		CMCV76639		FORK M 6 UNI 1676	1,00			--
0062		CMCV75717		CLIP UNI 1676 M6	1,00			--
0063		VTDD00482		NUT M 6 ZIN UNI 5588	1,00			--
0064		VTDD04369		NUT M 4 TEF UNI 7473	2,00			--
0065		VTVT00089		SCREW TCCE UNI 5931 4X10 ZB	2,00			--



Ref.	K	Part N.	Customer Part N.	Description	Qty	Validity: From	To	Price
BZ		MEVR01436		BUZZER	1,00			--
C2		MECI00338		SENSOR DI LIVELLO ORIZZONTALE	1,00			--
C3		MECI00287		SWITCH MULTIPLO A PRESSIONE	1,00			--
C4		MECI00338		SENSOR DI LIVELLO ORIZZONTALE	1,00			--
C6		MECI44780		MICROSWITCH D2VW-5L2A-1M OMR	1,00			--
CH		MECI00340		SWITCH A CHIAVE X MOT.BATT.P185	1,00			--
EV1		MEEV00021		SOLENOID VALVE RIF. D160SS10/K20Z	1,00			--
HL1		MELF00040		FLASHING LIGHT	1,00			--
M1		RTRT00250		DRIVE ASSEMBLY V36 560W	1,00			--
M2		MOCC00248		MOTOR SPAZZOLE CPL	1,00			--
M3		MOCC00248		MOTOR SPAZZOLE CPL	1,00			--
M4		MOCC00252		MOTOR ASPIR.TRIS.36V	1,00			--
M5		MOCC00139		ATUATOR TERGI AO-01M	1,00			--
M6		PPEL45303		PUMP EST. 36V	1,00			--
M7		MOCC00140		ATUATOR TEST.AO1-C 36V	1,00			--
MA		MECI00337		SWITCH A LEVA	1,00			--
MI		MECI00337		SWITCH A LEVA	1,00			--
PE		MECI00341		BUTTON DI EMERGENZA P185	1,00			--
SK1		MEQE00050		CONTROL BOARD CPL P160	1,00			--
SK3		MECE00265		BOARD DI POTENZA P185 CPL	1,00			--
TL1		METT00065		CONTACTOR 36 V	1,00			--