



IPC Integrated Professional Cleaning

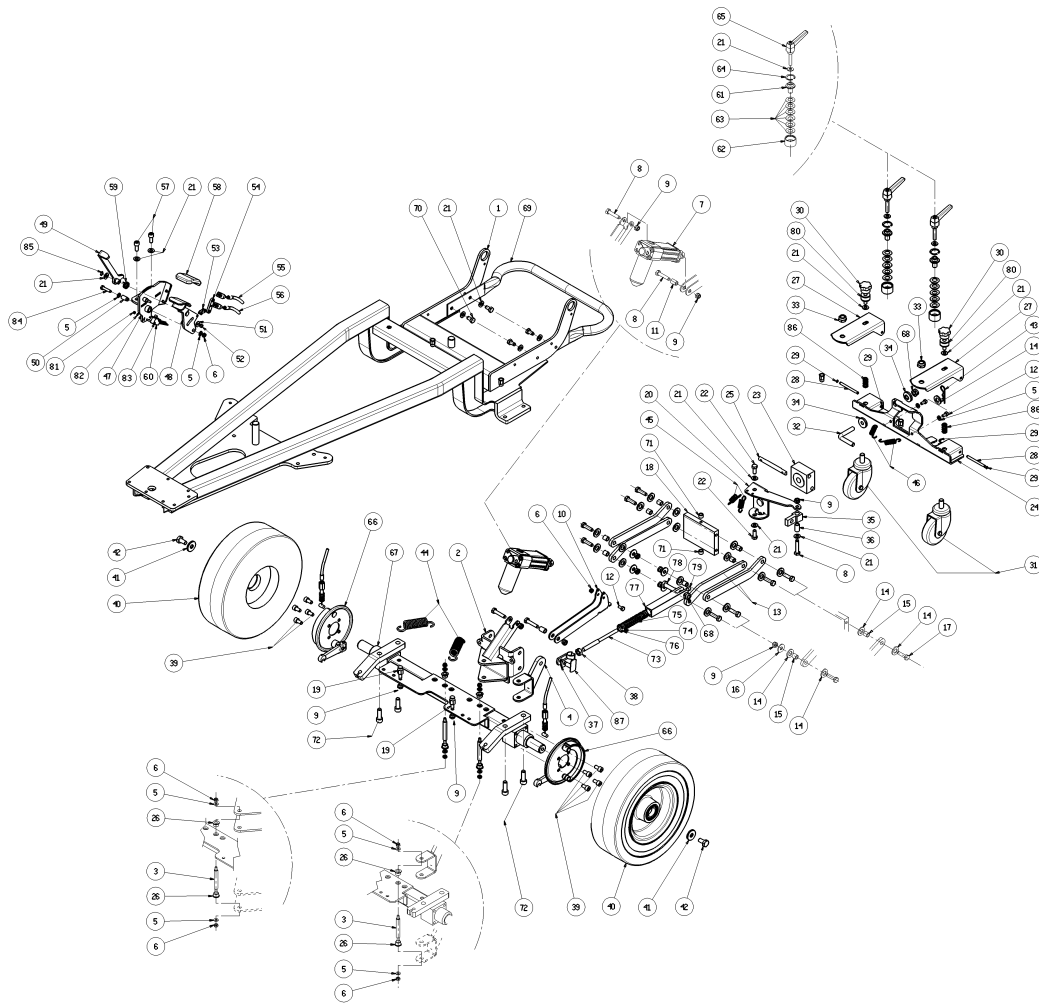
IPCGansow

Spare Parts List

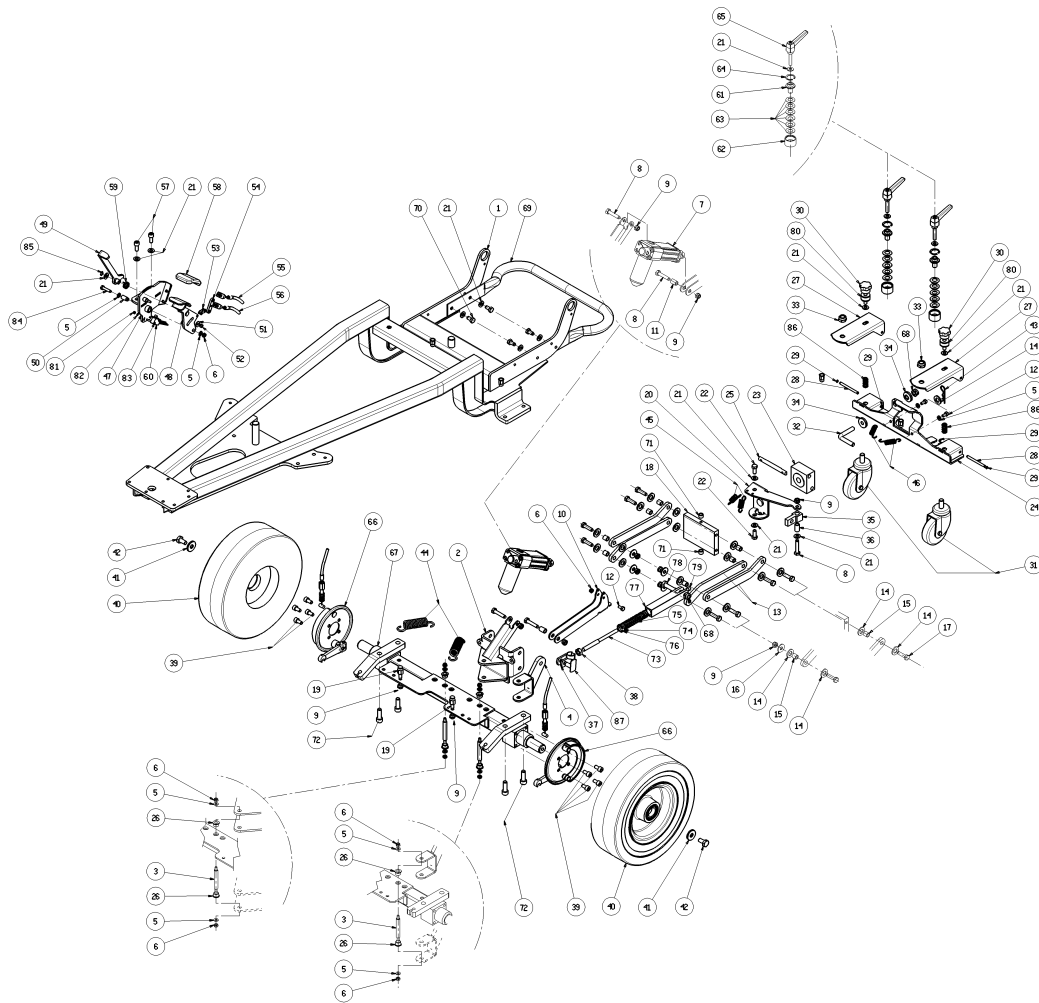
IPC . EAGLE

Ref: LPTB01075

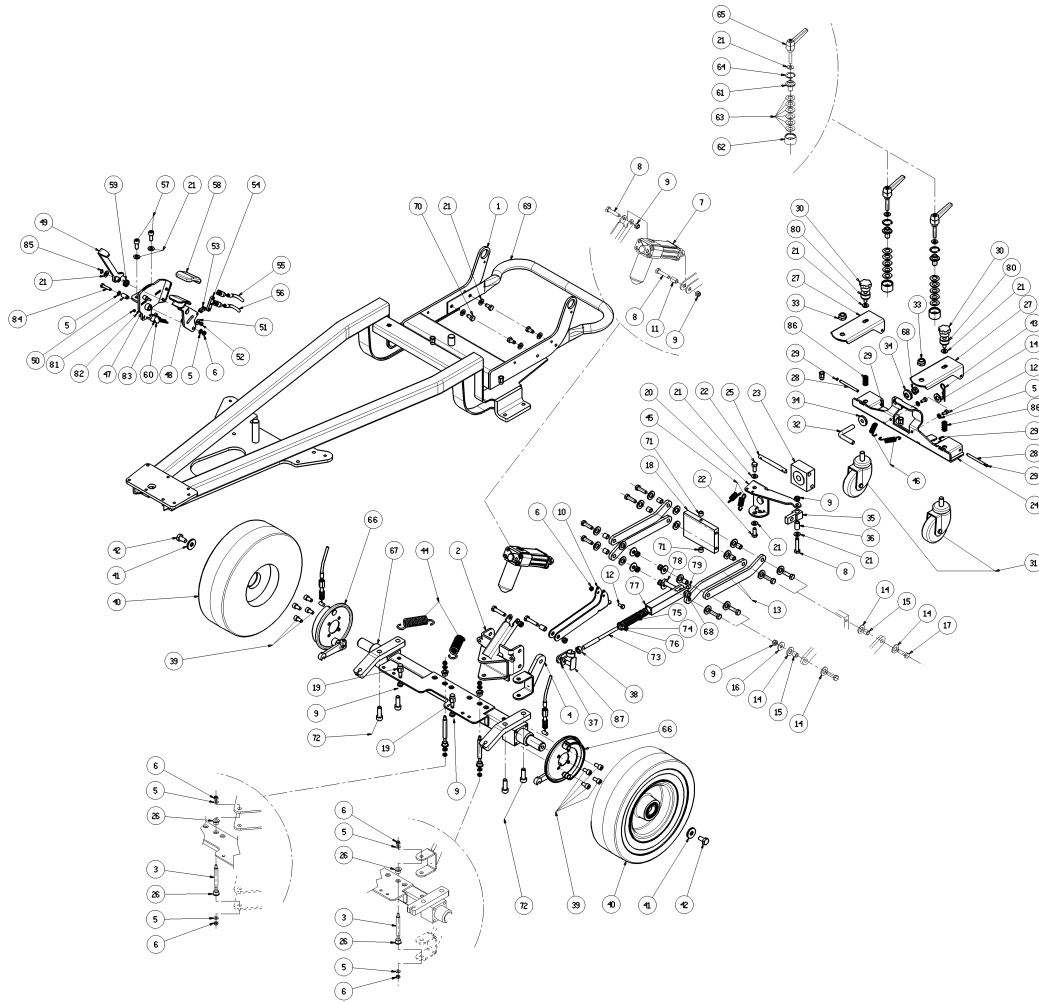
Model: CLEAN TIME 160 BT 95 36V



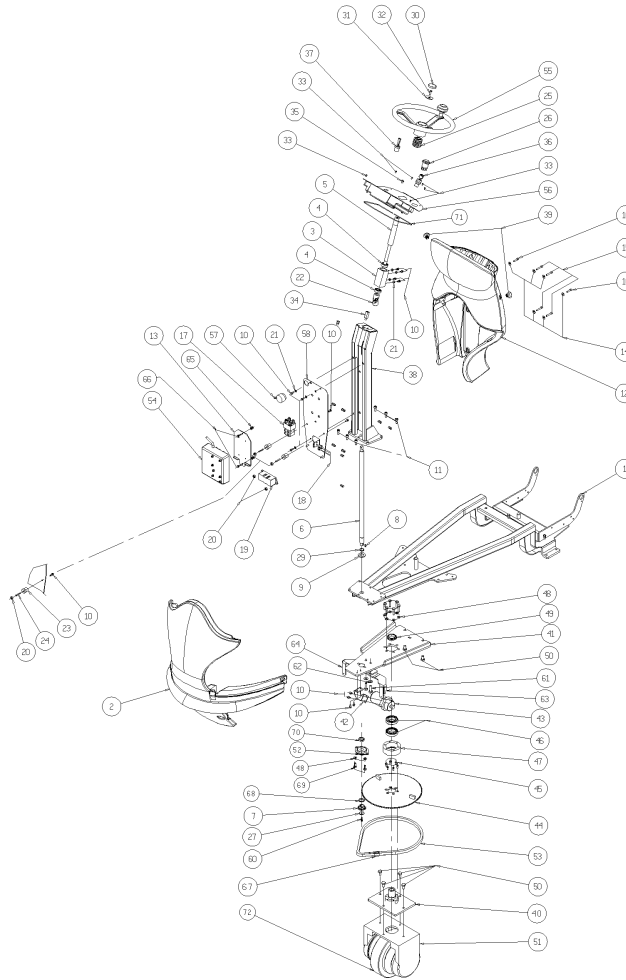
Ref.	K	Part N.	Customer Part N.	Description	Qty	Validity:		Price
						From	To	
0001		LAFN05790		FRAME COMPLETO CLT160	1,00			--
0002		LAFN05780		ARTICULATION PORTATERGI	1,00	05/2004		--
0003		LAFN04138		PIN PARALLELOGRAMMO	2,00			--
0004		LAFN05778		ASSEMBLED C SNODO ORIZZONTALE	1,00			--
0005		VTRS00503		WASHER D. 6 TE UNI 6798	8,00			--
0006		VTDD00010		NUT AUTOBLOK DIN 985 M6 BASSO	6,00			--
0007		MOCC00303		ATUATOR TERGI AO-01M	1,00	06/2006		--
0007		MOCC00139		ATUATOR TERGI AO-01M	1,00		05/2006	--
0008		VTVT00708		SCREW TE M. 8-40	3,00	05/2004		--
0009		VTDD01695		NUT M 8 INX	9,00	06/2005		--
0010		LAFN05777		LEVER SOLLEVAMENTO TERGI	1,00	05/2004		--
0011		LAFN04139		SPACER SNODO TERGI	1,00	05/2004		--
0012		VTVT15906		SCREW TE 6X 12 A2 UNI 5739	4,00	05/2004		--
0013		LAFN05779		ARM PARALLELOGRAMMA	4,00	05/2004		--
0014		VTRS15978		WASHER D.12X24 UNI 6592 INX	17,00	05/2005		--
0015		LAFN04151		BUSHING X PARALLELOGRAMMA	8,00	07/2004		--
0016		VTRS13946		WASHER D. 8 X24 INX UNI 6593	4,00			--
0017		VTVT13937		SCREW TE M 8X 30 INX UNI 5739	8,00	05/2004		--
0018		LAFN04125		PLATE TESTATA PARALLELOGR.	1,00	05/2004		--
0019		LAFN04143		PIN FISSA MOLLA	2,00			--
0020		LAFN05776		ASSEMBLED SNODO FINALE	1,00	05/2004		--
0021		VTRS13947		WASHER D. 8 INX UNI 6592	24,00	05/2004		--
0022		VTVT13938		SCREW TE 8X20 UNI5739 INX	2,00			--
0023		LAFN04122		ARTICULATION POSTERIORE	1,00	05/2004		--
0024		LAFN05775		ASSEMBLED PORTATERGI	1,00	05/2004		--
0025		LAFN04123		PIN SUPPORTO TERGI P.185	1,00	05/2004		--
0026		CUVR00139		BUSHING SITERIZZATA	4,00			--
0027		LAFN05809		ARM PORTARUOTA TERGI P185	2,00	05/2004		--
0028		LAFN04150		PIN BRACCIO RUOTA TERGI P185	2,00	05/2004		--
0029		VTAE48552		CIRCLIP D. 6 UNI 7435	4,00	05/2004		--
0030		VTVR00534		HANDWHEEL 8MAX20 D.40	2,00			--
0031		RTRT00303		WHEEL PORTA TERGI P185	2,00	05/2004		--
0032		LAFN04135		REGISTER CAMPANATURA TERGI	1,00	05/2004		--
0033		VTDD00176		NUT M.12 INOX A2 BASSO	2,00	05/2004		--
0034		LAFN04136		KNOB REGISTRO TERGI	2,00	05/2004		--
0035		LAFN04124		BLOCK SNODO PARAL ORIZ	1,00	05/2004		--
0036		LAFN04158		SPACER PARALL.LATER.TERGI P185	1,00	05/2004		--
0037		CMCV00314		FORK M.10 CPL.CLIP	1,00			--
0038		VTDD00154		NUT M.10 INOX A2	1,00			--



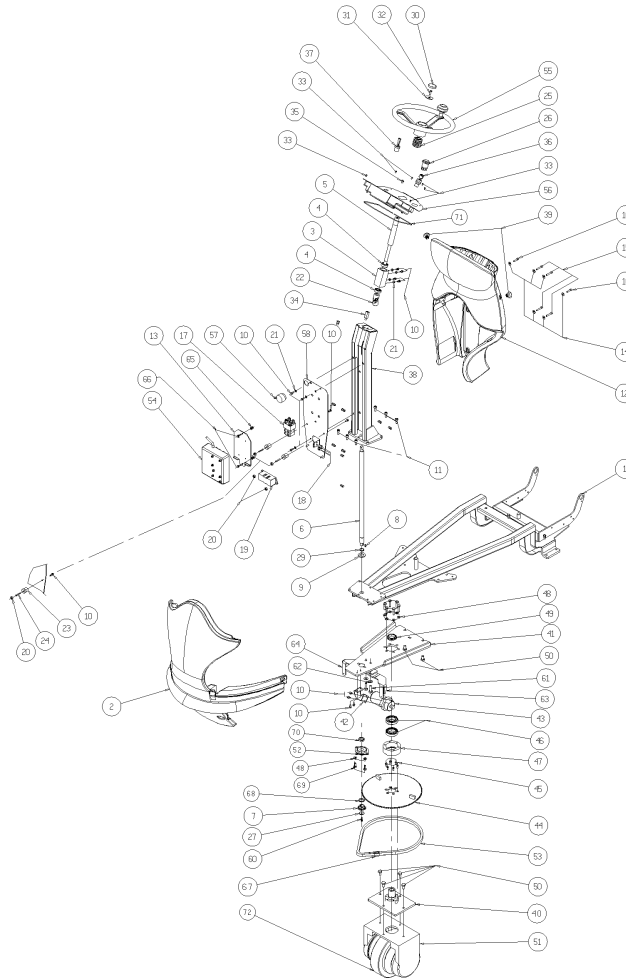
Ref. K	Part N.	Customer Part N.	Description	Qty	Validity:		Price
					From	To	
0039	VTVT00876		SCREW TCEI M.8-16	8,00	04/2005		--
0040	RTRT00301		WHEEL LIBERA D.306	2,00			--
0041	LAFN04144		WASHER RUOTE POSTERIORI	2,00			--
0042	VTVT13936		SCREW TE M 10X 20	2,00			--
0043	VTVR00226		SPLIT PIN ELASTICA D2	1,00	05/2004		--
0044	MLML00241		SPRING TESTATA SPAZZOLA P185	2,00			--
0045	MLML00022		SPRING GANCIO ARPIONE	2,00	05/2006		--
0045	MLML00243		SPRING PRESSIONE TERGI P185	2,00	05/2004	05/2006	--
0046	MLML00242		SPRING LIVELLAMENTO TERGI P185	2,00	05/2004		--
0047	LAFN05766		SUPPORT PEDALE CPL	1,00			--
0048	LAFN05767		ASSEMBLED PEDALE FRENO	1,00			--
0049	LAFN05768		PEDALE BLOCCO	1,00			--
0050	LAFN04142		PIN PEDALE FRENO	1,00			--
0051	VTRS15958		WASHER D. 5 X15 UNI 6593	1,00			--
0052	VTDD15517		NUT M 5 INX	1,00			--
0053	MTCR47037		WARP KNITTING 3/8	1,00			--
0054	LAFN05769		BALANCER PER CAVI FRENO	1,00			--
0055	CMCV00311		CABLE FRENO SX	1,00			--
0056	CMCV00310		CABLE FRENO DX	1,00			--
0057	VTVT01351		SCREW M8-20 INOX A2 -70	2,00			--
0058	MPVR45096		RUBBER V 1201 GR.	1,00			--
0059	MLML00237		SPRING RICHIAMO PEDALE B.F. P185	1,00			--
0060	MECI44780		MICROSWITCH D2VW-5L2A-1M OMR	1,00			--
0061	LAFN04121		PIN MOLLE A TAZZA	2,00			--
0062	LAFN04137		CONTAINER MOLLE A TAZZA	1,00			--
0063	MLML00245		SPRING A TAZZA	10,00			--
0064	VTAE13513		CIRCLIP D. 26 UNI 7437	2,00			--
0065	CHVR00500		HANDLE A RIPRESA M8x40	2,00			--
0066	RTRT45090		BLOCK BRAKE D.125 TK	2,00	05/2004		--
0067	LAFN05792		ASSEMBLED ASSALE POSTERIORE	1,00			--
0068	VTDD00151		NUT M.10	1,00	03/2005		--
0069	LAFN06275		TUBE ROLL BAR POSTER.CLT160	1,00			--
0070	VTVT15916		SCREW TE M 8X 16 UNI 5739 A2	4,00			--
0071	LAFN04157		BUSHING SNODO FINALE	2,00	05/2004		--
0072	VTVT00307		SCREW TCEI M10X30	4,00	05/2004		--
0073	LAFN06819		TUBE ADATTATORE MARMITTA	1,00	03/2005		--
0074	LAFN06818		TUBE ADATTATORE MARMITTA	2,00	03/2005		--
0075	MLML00290		SPRING AMMORTIZZATORE TERGI	1,00	03/2005		--
0076	VTAE47053		CIRCLIP D. 20 UNI 7437	1,00	03/2005		--



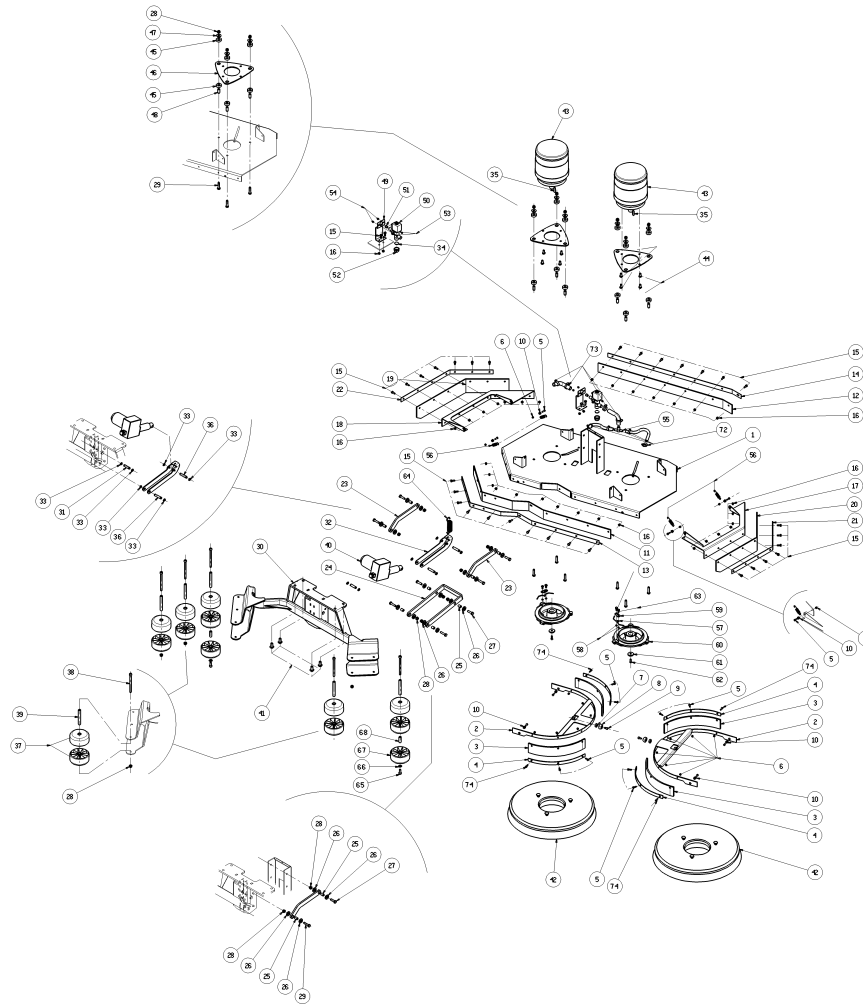
Ref. K	Part N.	Customer Part N.	Description	Qty	Validity:		Price
					From	To	
0077	LAFN06817		TUBE ADATTATORE MARMITTA	1,00	03/2005		--
0078	VTVT01549		SCREW TE M10-40	1,00	03/2005		--
0079	VTVT01314		SCREW TCEI M6 X 12 INOX	1,00	03/2005		--
0080	ABGO00042		VIBRATION DAMP.REGOLAZIONE TERGI CLT160	2,00	06/2005		--
0081	VTDD21115		NUT M 3 INOX	2,00			--
0082	VTRS21116		WASHER D. 3 INX	4,00			--
0083	VTVT01350		SCREW M3-20 INOX	2,00			--
0084	VTVT00433		SCREW TE M 6X 30 UNI 5739 INX	1,00	05/2005		--
0085	VTAE14096		CIRCLIP D. 8 UNI 7435	1,00			--
0086	MLML00239		SPRING PER RUOTE TERGI P185	2,00	05/2004		--
0087	CMCV00007		CLIP X FORCELLA UNI 1676 M10	1,00			--



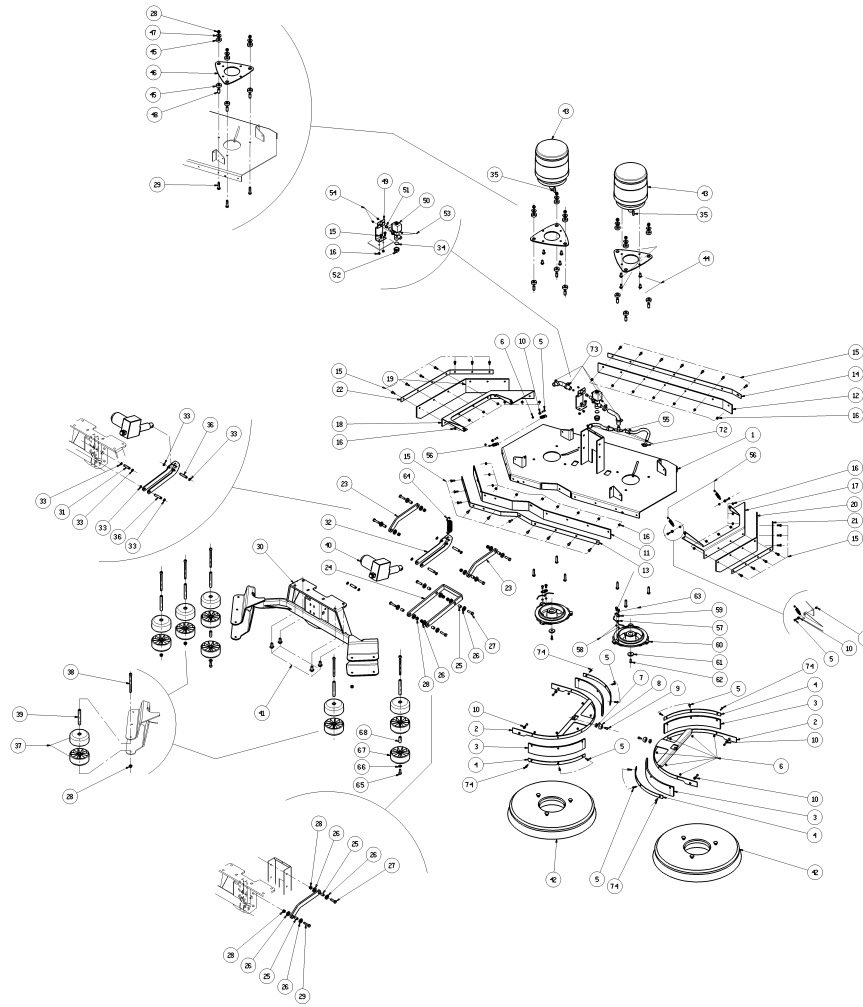
Ref. K	Part N.	Customer Part N.	Description	Qty	Validity:		Price
					From	To	
0003	LAFN04133		HUB ALBERO STERZO	1,00			--
0004	CUVR17004		BALL BEARING 6202 -2RS1	2,00			--
0005	LAFN04076		SHAFT STERZO SUPERIORE P185	1,00			--
0006	LAFN04131		SHAFT STERZO NUOVO	1,00			--
0007	MTCR00070		PINION ALBERO STERZO P185	1,00			--
0008	VTVR00229		KEY 5X5X12	1,00			--
0009	VTRS00019		WASHER UNI 6592 FORO 20 INOX	1,00			--
0010	VTVT15906		SCREW TE 6X 12 A2 UNI 5739	13,00	05/2004		--
0011	VTVT01351		SCREW M8-20 INOX A2 -70	6,00			--
0013	LAFN05810		SUPPORT SCHEDA P185	1,00			--
0014	VTRS00245		WASHER D.6 UNI 6592 INOX	6,00	05/2004		--
0015	VTVT15912		SCREW TCEI M 6X35 UNI 5931 INX	4,00			--
0016	VTVT15966		SCREW TCEI M 6X25	2,00			--
0017	METT00065		CONTACTOR 36 V	1,00			--
0018	VTVT00881		SCREW TC+ M4x6 TRILOBATA INOX	4,00			--
0019	MEVR00145		FUSE 100A	1,00			--
0020	VTDD13942		NUT M 6 UNI 5587 INX	4,00			--
0021	VTRS00503		WASHER D. 6 TE UNI 6798	7,00			--
0022	VTVR00057		ARTICULATION CARDANICO	1,00			--
0023	MEVR01437		INSULATOR 35-CH32-M6 P185	2,00			--
0024	VTVT00900		GRUB SCREW M 6-30 CON ES	2,00			--
0025	MPVR51068		PROTECTOR STERZO CLT 160	1,00			--
0026	MECI00341		BUTTON DI EMERGENZA P185	1,00			--
0027	LAFN04134		WASHER PIGNONE STERZO	1,00			--
0029	VTAE00050		RING D'ARRESTO ALBERO	1,00			--
0030	MPVR47026		BLACK CAP L.14	1,00			--
0031	VTRS44254		WASHER D.10 X40X2.5 UNI6593	1,00	05/2004		--
0032	VTVT01550		SCREW TCCE UNI 5931 6X50 ZB	1,00			--
0033	VTVT21096		SCREW TE M 4X 10 INX	6,00			--
0034	LAFN51017		SPACER CRUSC.	1,00			--
0035	VTVT00666		SCREW TBEI M. 8-10 INOX	1,00			--
0036	MECI00340		SWITCH A CHIAVE X MOT.BATT.P185	1,00			--
0037	MECI00337		SWITCH A LEVA	1,00			--
0038	LAFN05787		ASSEMBLED PIANTONE	1,00			--
0039	MPVR04658		CAP PER TUBO D.20 CLT160	2,00			--
0040	LAFN05765		ASSEMBLED RALLA STERZO	1,00			--
0041	LAFN05763		ASSEMBLED PIASTRA STERZO	1,00			--
0042	LAFN05795		BRACKET PORTAPOMPA	1,00			--
0043	PPPEL00021		PUMP EST. 36V	1,00	06/2006		--



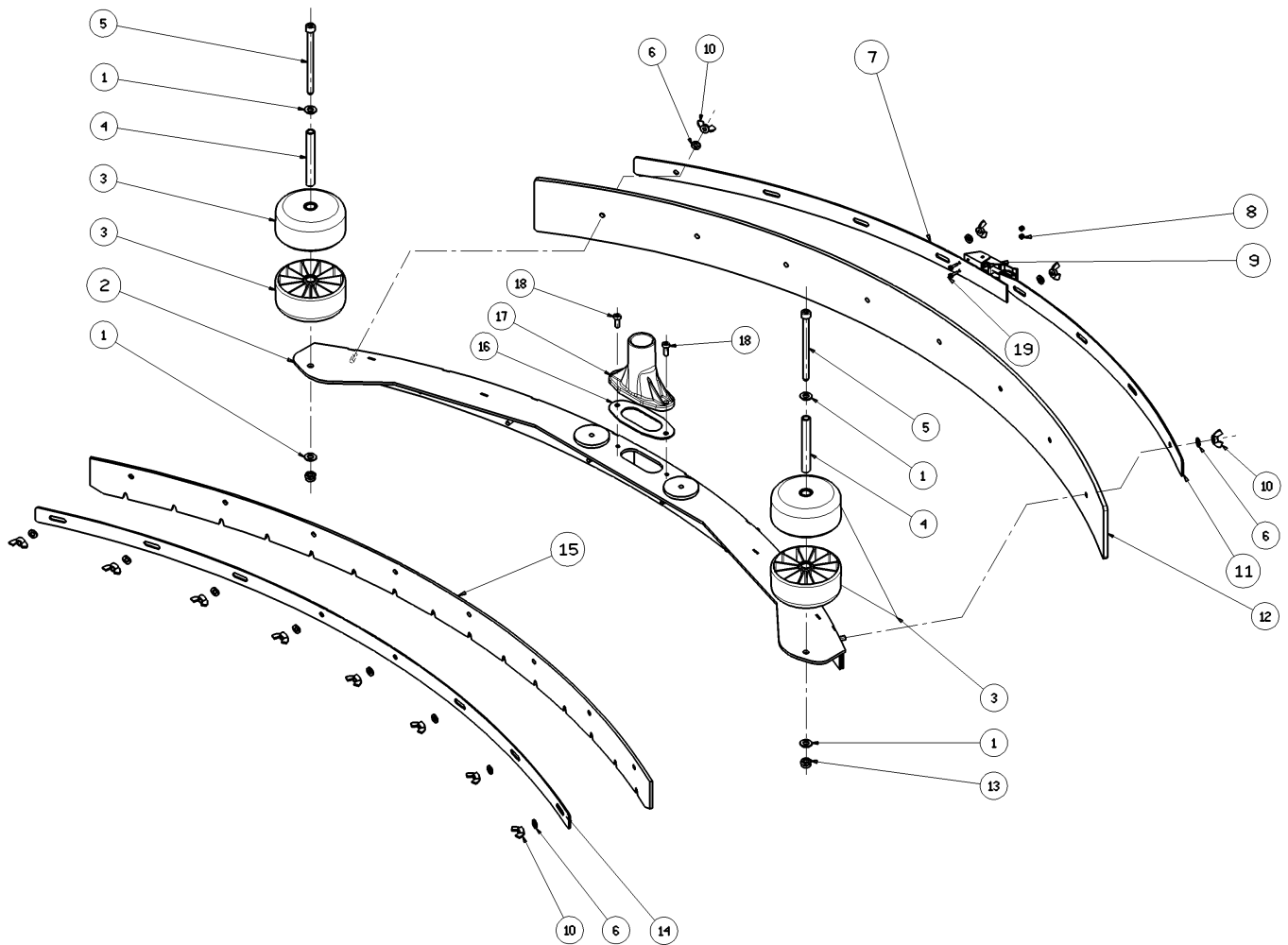
Ref.	K	Part N.	Customer Part N.	Description	Qty	Validity:		Price
						From	To	
0043		PPEL45303		PUMP EST. 36V	1,00		05/2006	--
0044		LAFN05764		ASSEMBLED CORONA STERZO	1,00			--
0045		VTVT00832		SCREW TSPEI M6X16 INOX	6,00			--
0046		CUVR00120		BEARING 6007-2RS1	2,00			--
0047		LAFN04117		BUSHING PORTACISCINETTI	1,00			--
0048		VTRS13947		WASHER D. 8 INX UNI 6592	2,00	11/2005		--
0048		VTRS01776		WASHER D. 8 X17 INX UNI 6593	6,00		11/2005	--
0049		VTVR75747		RING NUT AUTOBLOK M 35 X 1,5 GUK	1,00			--
0050		VTVT13936		SCREW TE M 10X 20	6,00			--
0051		RTRT00250		DRIVE ASSEMBLY V36 560W	1,00			--
0052		CUVR00141		BUSHING SINTERIZZATA STERZO	1,00		11/2005	--
0052		CUVR00105		SUPPORT	1,00	11/2005		--
0053		MTCR00047		CHAIN 3/8" PER STERZO P185	1,06	05/2004		--
0054		MECE00265		BOARD DI POTENZA P185 CPL	1,00			--
0055		MPVR47027		STEERING WHEEL D. 320 L.14	1,00			--
0056		MEQE00050		CONTROL BOARD CPL P160	1,00			--
0057		MEVR01436		BUZZER -	1,00			--
0058		LAFN05788		PLATE PORTAELETTRONICA	1,00			--
0059		VTVT00410		SCREW TE M8x35 UNI5739 INOX	6,00			--
0060		VTVT00717		SCREW TCEI M. 6-16	1,00			--
0061		VTVT00715		SCREW TE M.10-35	2,00			--
0062		VTRS15523		WASHER D.10 X21 INOX UNI 6592	2,00			--
0063		LAFN06487		BRACKET FISSA CARENE DP	1,00			--
0064		LAFN06486		BRACKET FISSA CARENE DP	1,00			--
0065		VTRS00365		THICKNESS 18X25X1	4,00			--
0066		VTVT01127		SCREW TE M 10X190 UNI 5737 ZC	2,00			--
0067		MTCR47037		WARP KNITTING 3/8	1,00	06/2004		--
0068		LAFN07030		PLATE SOSTEGNO RIDUTTORE	1,00	11/2005		--
0069		VTVT15916		SCREW TE M 8X 16 UNI 5739 A2	2,00	11/2005		--
0070		LAFN07029		PLATE SOSTEGNO RIDUTTORE	1,00	11/2005		--
0071		GUGO00415		GASKET PANNELLO COMANDI CT160	1,00			--
0072		RTRT00430		RING GOMMA RUOTA ANT.	1,00			--



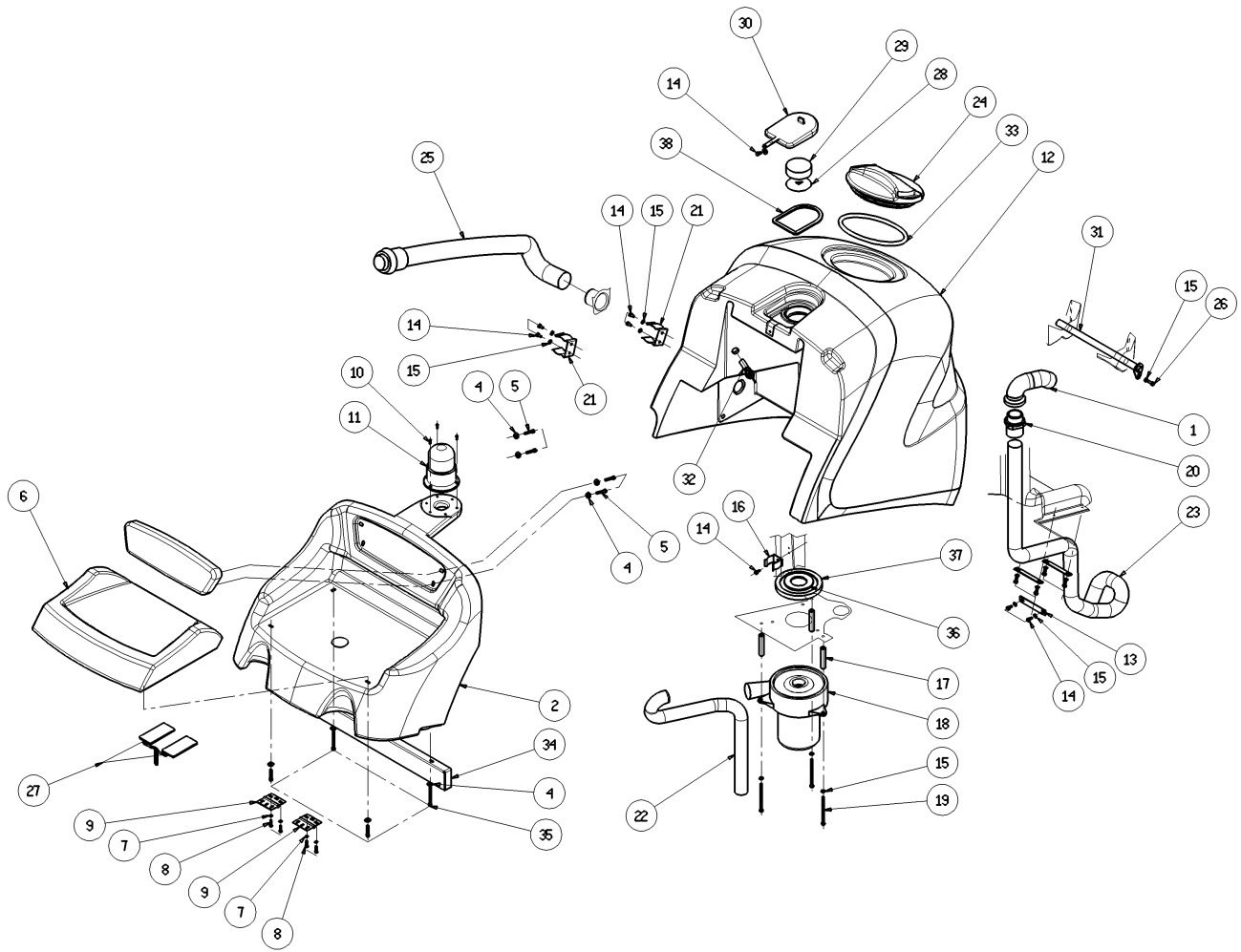
Ref. K	Part N.	Customer Part N.	Description	Qty	Validity: From To	Price
0001	LAFN51005		ASSEMBLED SUPP.SPAZZOLE 950	1,00		--
0002	LAFN51004		ASSEMBLED ASSIEME CENTR SPAZZ 950	2,00		--
0003	MPVR51004		FLAP CENTR.SPAZ.TEST.950	4,00		--
0004	LAFN51010		SHEET METAL PA.FISSA FLAP.TEST.ANT. 950	4,00		--
0005	VTVT07725		SCREW TE 5X16 UNI5739 INX	16,00		--
0006	VTDD01693		NUT M 5 INX	16,00		--
0007	CUVR00088		BEARING 626 2RS1	2,00		--
0008	MPVR02895		ROLLER PER CENTRAGGIO SPAZZOLA	2,00		--
0009	VTVT01314		SCREW TCEI M6 X 12 INOX	2,00		--
0010	CUVR00140		BUSHING DI CENTRAGGIO SPAZZOLE	8,00		--
0011	MPVR51008		FLAP ANTERIORE TEST.950	1,00		--
0012	MPVR51005		FLAP POSTER.TEST.950	1,00		--
0013	LAFN51008		SHEET METAL PA.FISSA FLAP.TEST.ANT. 950	1,00		--
0014	LAFN51009		SHEET METAL PA.FISSA FLAP. TEST.POST.950	1,00		--
0015	VTVT15143		SCREW TE 6X16 UNI5739	37,00		--
0016	VTDD01694		NUT M 6 INX	37,00		--
0017	LAFN51060		SHEET METAL PA.PORTAFLAP SX T.950	1,00		--
0018	LAFN51006		SHEET METAL PA.PORTAFLAP DX T.950	1,00		--
0019	MPVR51007		FLAP LATER.DX TESTATA 950	1,00		--
0020	MPVR51006		FLAP LATER.SX TESTATA	1,00		--
0021	LAFN51002		SHEET METAL PA.TEST.SX 950	1,00		--
0022	LAFN51003		SHEET METAL PA.TEST.DX 950	1,00		--
0023	LAFN51007		ARM SUP.PARALLELOG.	2,00		--
0024	LAFN05782		ARM SUP./INF	1,00		--
0025	LAFN04151		BUSHING X PARALLELOGRAMMA	8,00		--
0026	VTRS00312		WASHER D.13 x24 INOX	16,00		--
0027	VTVT13937		SCREW TE M 8X 30 INX UNI 5739	4,00		--
0028	VTDD01695		NUT M 8 INX	19,00	06/2005	--
0029	VTVT00410		SCREW TE M8x35 UNI5739 INOX	10,00		--
0030	LAFN05905		ASSEMBLED ROLL-BAR CLT 950	1,00		--
0031	LAFN51032		PIN SUPP.TESTATA	1,00	04/2005	--
0032	LAFN05781		ARM ATTUATORE	1,00		--
0033	VTAE13511		CIRCLIP D. 10 UNI 7435	6,00		--
0034	GUGO00268		GASKET D.21 SP.3 GOMMA	1,00		--
0035	VTVR14052		KEY 8X 7X30 UNI 6604A	2,00		--
0036	LAFN51065		PIN INFER.ATTUAT.TEST.	2,00		--
0037	MPVR02894		ROLLER PARACOLPI	10,00		--
0038	VTVT67560		SCREW TCEI M8X110 INOX AISI 304	5,00		--
0039	LAFN04127		PIN RULLO PARACOLPI	5,00		--



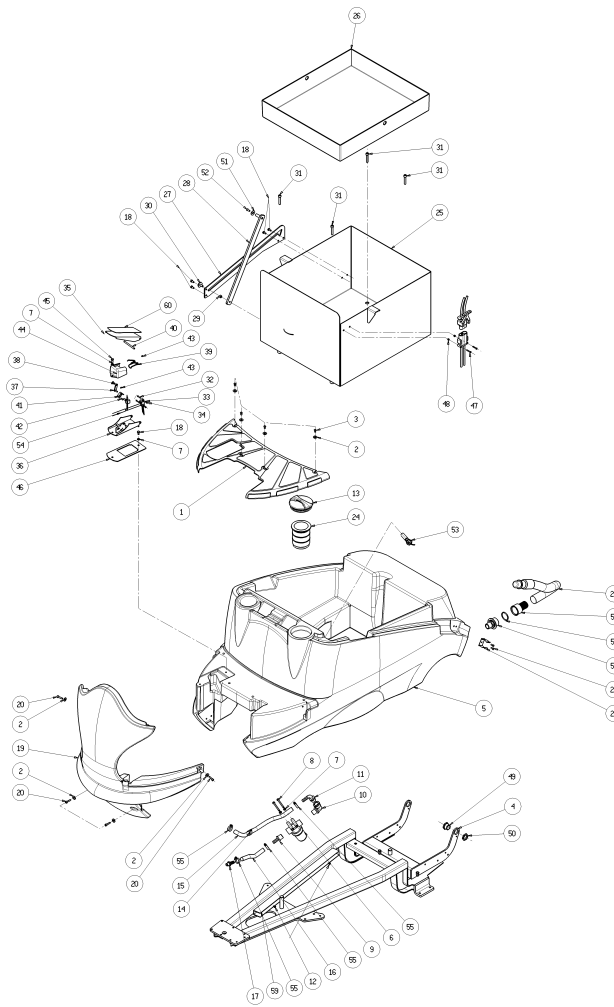
Ref. K	Part N.	Customer Part N.	Description	Qty	Validity:		Price
					From	To	
0040	MOCC00304		ATUATOR TEST.AO1-C 36V	1,00	06/2006		--
0040	MOCC00140		ATUATOR TEST.AO1-C 36V	1,00	06/2005	05/2006	--
0041	VTVT13936		SCREW TE M 10X 20	4,00			--
0042	SPPV08000		BRUSH NYLON 18"	2,00			--
0043	MOCC00248		MOTOR SPAZZOLE CPL	2,00			--
0044	VTVT15916		SCREW TE M 8X 16 UNI 5739 A2	8,00			--
0045	GUGO00264		WASHER ELASTOMERO	12,00			--
0046	LAFN05785		FLANGE PORTAMOTORE	2,00			--
0047	VTRS13946		WASHER D. 8 X24 INX UNI 6593	6,00			--
0048	LAFN04141		PIN PIASTRA MOTORE	6,00			--
0049	LAFN05835		BRACKET PORTAELETTROVALVOLA	1,00			--
0050	MEEV00021		SOLENOID VALVE RIF. D160SS10/K/20Z	1,00			--
0051	MPVR02897		REDUCTION D.10-6.5 PER ELETTROVALV.	1,00			--
0052	RCVR00353		CAP 1/2"G X ELETTROV. ACL	1,00			--
0053	VTVT00817		SCREW TE M4x12 UNI 5739 INOX	2,00			--
0054	VTDD00147		NUT M 4 INX U.5588	2,00			--
0055	RCVR01711		CONNECTOR T PORTAG.8/10	1,00			--
0056	MLML02801		SPRING FLAP LATER.	4,00			--
0057	MLML00240		SPRING PIATTO SPAZZOLA P185	2,00			--
0058	LAFN04140		SPACER X MOLLA	4,00			--
0059	LAFN05797		PLATE FERMO MOLLA	2,00			--
0060	MFVR00139		DRIVE DISK SPAZZOLE P185	2,00			--
0061	LAFN04146		WASHER FISSA PIATTI	2,00			--
0062	VTVT01313		SCREW TSPEI M.6-20 INOX UNI5933	2,00			--
0063	VTVT15906		SCREW TE 6X 12 A2 UNI 5739	4,00			--
0064	MLML00241		SPRING TESTATA SPAZZOLA P185	1,00			--
0065	VTRS13947		WASHER D. 8 INX UNI 6592	2,00	10/2004		--
0066	VTVT01351		SCREW M8-20 INOX A2 -70	2,00			--
0067	LAFN06472		BRACKET FISSA CARENE DP	2,00	10/2004		--
0068	RTRT00502		WHEEL PNEUMATICA D 267	2,00	10/2004		--
0069	TBBP00395		TUBE COMBUSTUBILE L=15 cm	1,00			--
0070	TBBP00396		TUBE COMBUSTUBILE L=15 cm	1,00			--
0071	TBBP00397		TUBE COMBUSTUBILE L=15 cm	1,00			--
0072	FSVR00096		CLAMP 10-16 INOX	4,00			--
0073	FSVR00091		CLAMP 14-24	4,00	04/2005		--
0074	VTVT13941		SCREW M5x16 TSPEI UNI 5933	4,00	05/2005		--



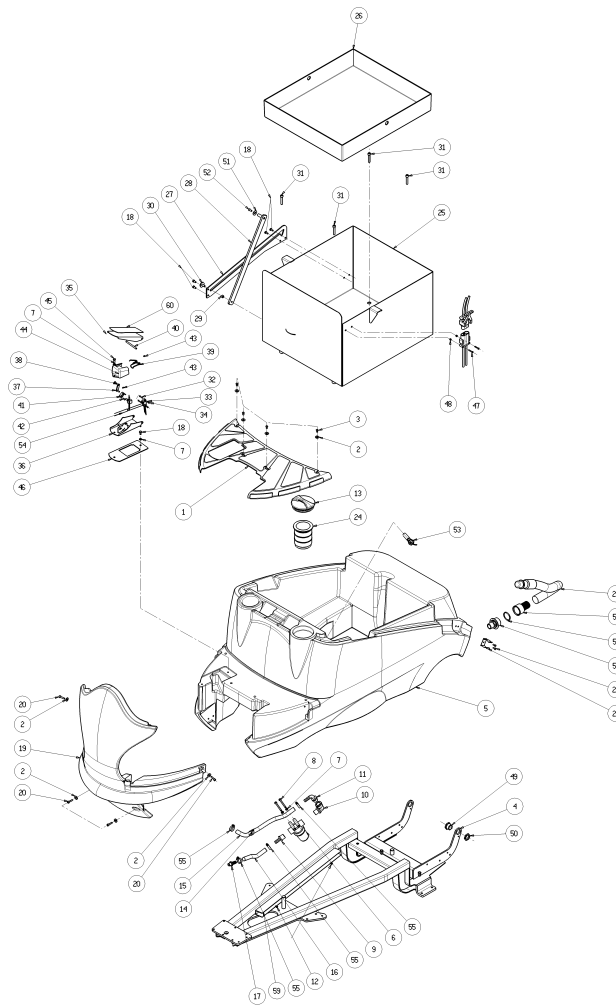
Ref. K	Part N.	Customer Part N.	Description	Qty	Validity:		Price
					From	To	
0001	VTRS13947		WASHER D. 8 INX UNI 6592	4,00			--
0002	LAFN05913		ASSEMBLED TERGITORE DA 950	1,00			--
0003	MPVR02894		ROLLER PARACOLPI	4,00			--
0004	LAFN04127		PIN RULLO PARACOLPI	2,00			--
0005	VTVT67560		SCREW TCEI M8X110 INOX AISI 304	2,00			--
0006	VTRS00245		WASHER D.6 UNI 6592 INOX	12,00			--
0007	LAFN05916		SHEET METAL PA.FLAP POSTERIORE	1,00			--
0008	VTDD21115		NUT M 3 INOX	2,00	05/2005		--
0009	CHVR00050		CLOSURE A LEVA + GANCIO CLT 160	1,00	07/2004		--
0010	VTDD00171		NUT M6 INOX	12,00	07/2004		--
0011	LAFN05915		SHEET METAL PA.FISSAFLAP POSTER. GANCIO	1,00			--
0012	MPVR51009		FLAP TERGI 950 GANS	1,00			--
0013	VTDD01695		NUT M 8 INX	2,00	06/2005		--
0014	LAFN05914		SHEET METAL PA.FISSAFLAP ANTERIORE	1,00			--
0015	MPVR02850		FLAP ANTERIORE TERGI DA 950	1,00			--
0016	GUGO06700		GASKET TERGIPAVIMENTO	1,00			--
0017	MPVR04626		SLEEVE PVC D. 36 MIR.	1,00			--
0018	VTVT00717		SCREW TCEI M. 6-16	2,00			--
0019	VTVT00722		SCREW	2,00	05/2005		--



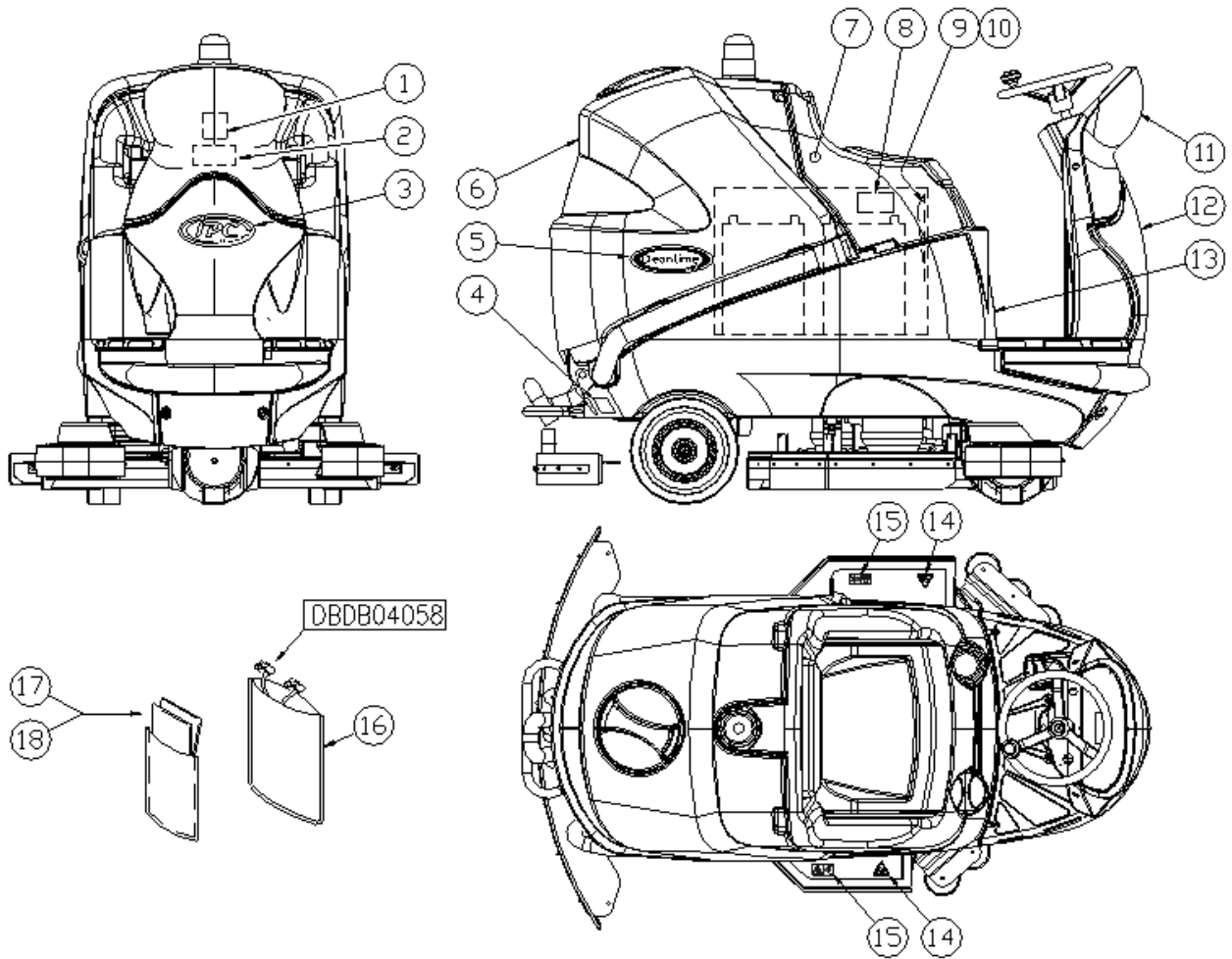
Ref. K	Part N.	Customer Part N.	Description	Qty	Validity: From To	Price
0001	PMVR02010		ASSEMBLED CURVA ASP.	1,00		--
0003	SESD00020		SHEET METAL PA.CLEANTIME	1,00		--
0004	VTRS86634		WASHER 6X18X1,5 UNI6593	9,00		--
0005	VTVT00729		SCREW TCEI M. 6-35	6,00		--
0006	SESD00021		SEAT	1,00		--
0007	VTRS00502		WASHER D. 5 0.466 UNI 6592	4,00		--
0008	VTVT00306		SCREW TSPEI M5x12 UNI5933	4,00		--
0009	CEVR00060		HINGE PORTA SEDILE P185	2,00		--
0010	VTVT00752		SCREW TC+ M.4,8-19	3,00		--
0011	MELF00040		FLASHING LIGHT	1,00		--
0013	LAFN05829		PLATE FERMA TUBO ASPIRAZIONE	3,00		--
0014	VTVT15906		SCREW TE 6X 12 A2 UNI 5739	12,00		--
0015	VTRS00245		WASHER D.6 UNI 6592 INOX	14,00		--
0016	MPVR46988		CLIP LAV. SHK	1,00		--
0017	LAFN04171		SPACER ASPIRATORE P185	3,00		--
0018	MOCC00252		MOTOR ASPIR.TRIS.36V	1,00		--
0019	VTVT00888		SCREW TE M.6-100	3,00		--
0020	RCDS00024		CONNECTOR PORTAGOMMA 1"1/2	1,00		--
0021	FSVR44166		HOSE CLIP D.50	2,00		--
0022	PMVR01141		TUBE USCITA ARIA DA ASPIRATORE	1,00		--
0023	TBFX00280		TUBE ASPIRAZ.CPL P160	1,00		--
0024	MPVR04051		TANK CAP	1,00		--
0025	PMVR01052		GROUP TUBO TIGRATO	1,00		--
0026	VTVT15143		SCREW TE 6X16 UNI5739	1,00		--
0027	MECI00287		SWITCH MULTIPLO A PRESSIONE	2,00		--
0028	LAFN05830		NET FERMA FILTRO INOX	1,00		--
0029	FTDP00130		FILTER SERB. RECUPERO P185	1,00		--
0030	MPVR04100		CAP ASPIRAZIONE P185	1,00		--
0032	MECI00338		SENSOR DI LIVELLO ORIZZONTALE	1,00		--
0032	MECI00400		SENSOR DI LIVELLO ORIZZONTALE	1,00	06/2006	05/2006
0033	GUGO00263		GASKET CIRCOLARE TAPPO	1,00		--
0034	LAFN06824		SPACER L.14	1,00		--
0035	VTVT17342		SCREW TE M 6X 60 UNI 5739 INX	1,00		--
0036	GUGO30649		GASKET LAV.DW.	1,00		--
0037	GUGO31051		GASKET LAV.	1,00		--
0038	GUGO00306		GASKET TENUTA TAPPO	1,00		--



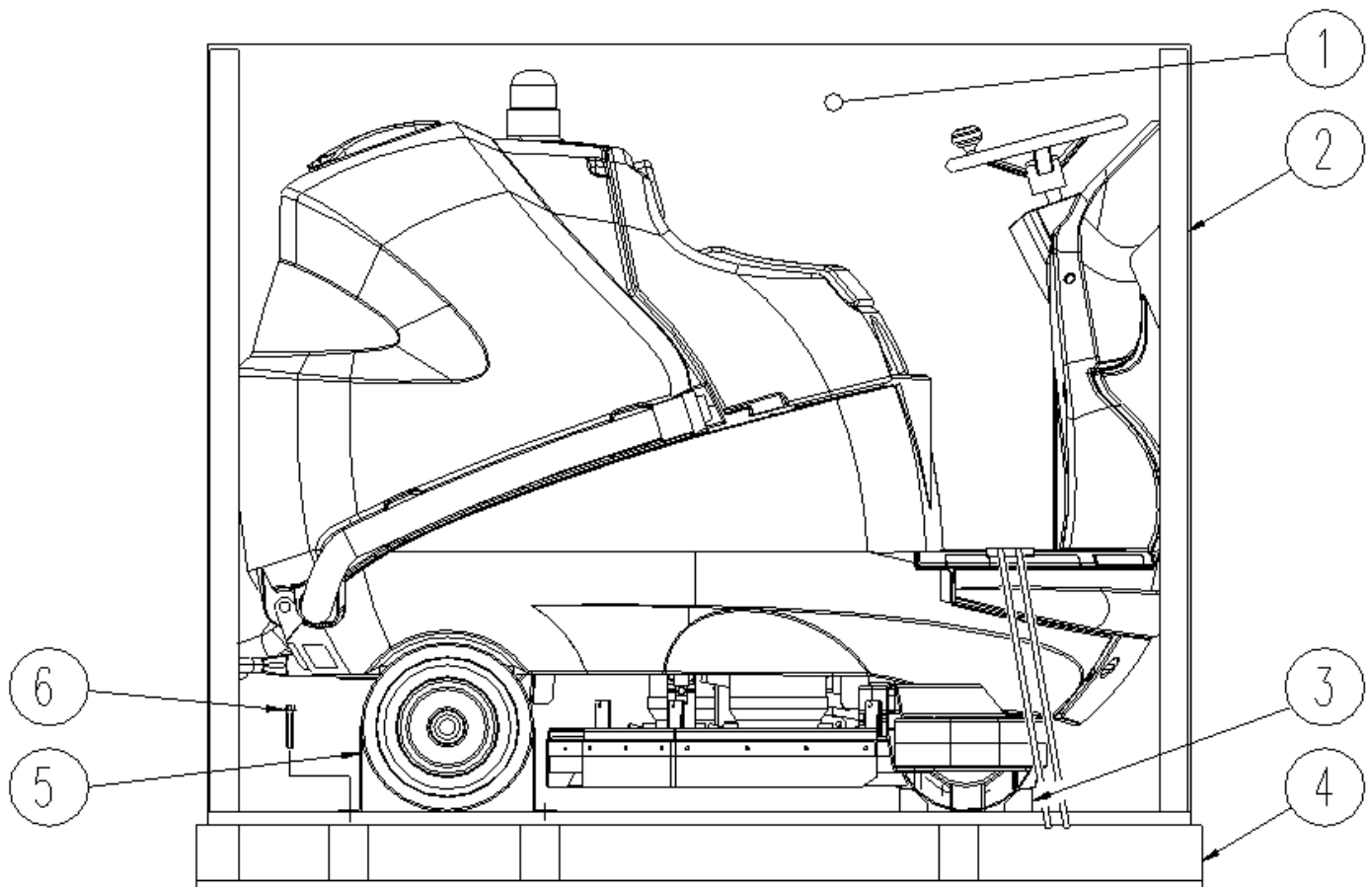
Ref. K	Part N.	Customer Part N.	Description	Qty	Validity: From To	Price
0001	MPVR03002		PLANE CLEANTIME	1,00		--
0002	VTRS13945		WASHER D. 6X18 INX UNI 6593	8,00		--
0003	VTVT00093		SCREW TBCE ISO 7380 6X12 ZB	4,00		--
0006	FTAC00038		FILTER IN LINEA	1,00		--
0007	VTRS00503		WASHER D. 6 TE UNI 6798	2,00		--
0008	VTVT00699		SCREW TE M. 6-70	2,00		--
0009	RCVR00540		CONNECTOR	1,00		--
0010	RCVR00541		CURVED CONNECT.M/F G1/2 COD.126-2022	1,00		--
0011	RCVR00542		CURVED CONNECT.M G1/2 PORTAG. 113-2213	1,00		--
0012	VTVT85145		SCREW TCB T-CROCE 4,2X9,5 INOX	2,00		--
0013	MPVR04075		CAP PICCOLO "PONY"	1,00		--
0014	FSVR00107		CLAMP KSS CABLE CLAMP	1,00		--
0015	TBBP00319		TUBE L=350	1,00		--
0016	TBBP00369		TUBE ARMONVIN 12X3 L=280 MM	1,00		--
0017	RCVR00547		CONNECTOR PORTAG. DIRIT	1,00		--
0018	VTVT15906		SCREW TE 6X 12 A2 UNI 5739	5,00		--
0020	VTVT15966		SCREW TCEI M 6X25	4,00		--
0021	MPVR46988		CLIP LAV. SHK	1,00		--
0022	VTVT01300		SCREW TE M5X12 INOX	2,00		--
0023	PMVR01139		TUBE SOLUZIONE CLT160	1,00		--
0024	FTAC48857		FILTER ASP. ACQUA SERB. LAVAP.	1,00		--
0026	MPVR04127		PLATE CONTENITORE BATTERIE P185	1,00		--
0027	LAFN05807		GUIDE PER ASTA SERBATOIO P185	1,00		--
0028	LAFN05803		ASSEMBLED ASTA SERBATOIO P185	1,00		--
0029	LAFN04148		BUSHING ASTA SERBATOIO P185	1,00		--
0030	LAFN04147		SCREW ASTA SERBATOIO P185	1,00		--
0031	VTVT00889		SCREW TCEI M. 8-45	4,00		--
0032	VTVT00654		SCREW TC+ M.3-20	2,00		--
0033	VTRS21116		WASHER D. 3 INX	2,00		--
0034	VTDD21115		NUT M 3 INOX	2,00		--
0035	LAFN51064		ASSEMBLED PEDALE AVANZ.SUPER.	1,00		--
0036	LAFN51063		ASSEMBLED BASE PEDALE AVANZ.	1,00		--
0037	LAFN51062		ASSEMBLED BIELLA PEDALE AVANZ.	1,00		--
0038	LAFN51061		PIN AGGANCIAMENTO PEDALE MOB.	1,00		--
0039	MLML00034		SPRING PEDALE AVANZAMENTO G1050	1,00		--
0040	LAFN04159		PIN PEDALE P185	1,00		--
0041	MPVR51061		HANDLE POTENZIOM.	1,00		--
0042	VTVT21096		SCREW TE M 4X 10 INX	1,00		--
0043	VTAE48552		CIRCLIP D. 6 UNI 7435	3,00		--



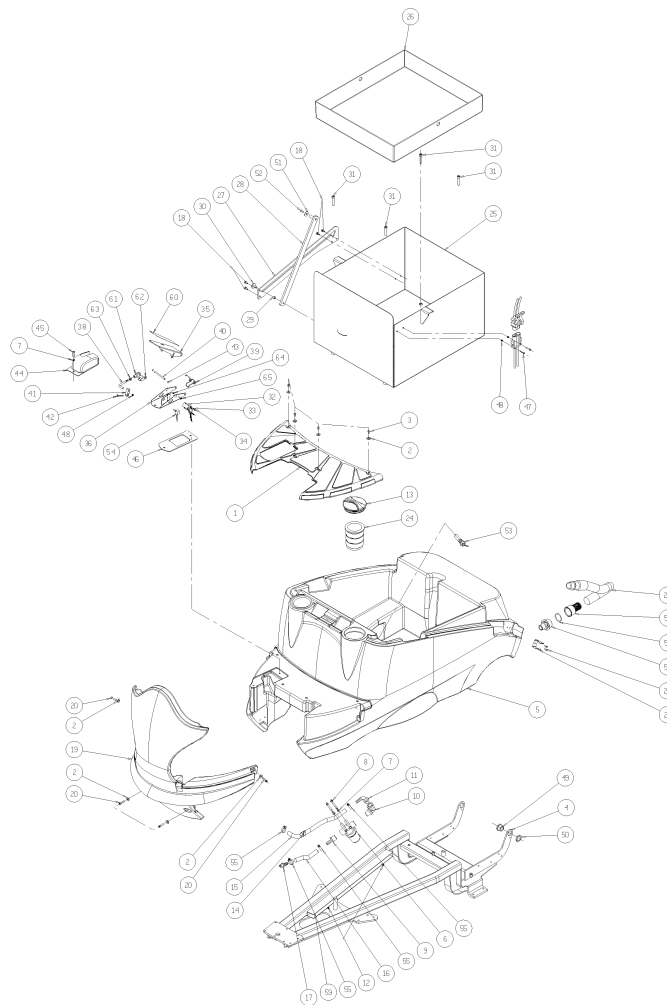
Ref. K	Part N.	Customer Part N.	Description	Qty	Validity:		Price
					From	To	
0044	MPVR51062		COVER POTENZIOM.	1,00			--
0045	VTVT15143		SCREW TE 6X16 UNI5739	1,00			--
0046	LAFN05802		FLANGE PEDALE ACCELERATORE P185	1,00			--
0047	VTVT22203		SCREW TCB-TC 4X25 UNI7687	2,00			--
0048	VTDD00147		NUT M 4 INX U.5588	2,00			--
0049	LAFN51079		ECCENTRIC SERB.RECUP.P185	1,00			--
0050	LAFN51080		RING NUT ECCENTR.SERB.RECUP.P185	1,00			--
0051	VTRS13946		WASHER D. 8 X24 INX UNI 6593	1,00			--
0052	VTVT00832		SCREW TSPEI M6X16 INOX	1,00			--
0053	MECI00338		SENSOR DI LIVELLO ORIZZONTALE	1,00		05/2006	--
0053	MECI00400		SENSOR DI LIVELLO ORIZZONTALE	1,00	06/2006		--
0054	MECB00124		WIRING pedale acceleratore G1050	1,00		05/2006	--
0054	MECB00995		WIRING PEDALE ACCEL.P160	1,00	06/2006		--
0055	FSVR00091		CLAMP 14-24	4,00			--
0056	RCVR00713		REDUCTION MASCHIO/MASCHIO	1,00			--
0057	RCVR00712		CONNECTOR PORTAGOMMA	1,00			--
0058	GUGO00290		GASKET OR (G10052)	1,00			--
0059	MEVR01431		GUIDE PVC GRIGIO 25 X 40	1,00			--
0060	ETET01356		ADHESIVE PEDALE P185	2,00			--
0061	MEVR34820		WIRING B 450 BT	5,00			--



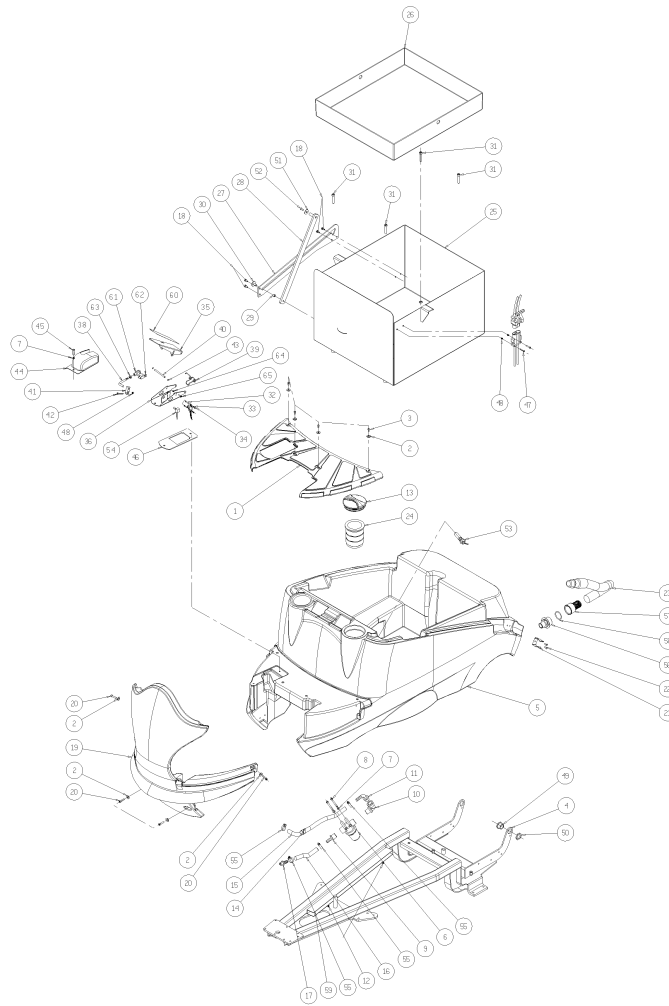
Ref.	K	Part N.	Customer Part N.	Description	Qty	Validity:		Price
						From	To	
0001		ETET00895		ADHESIVE SIMBOLO LEGGERE IL MANUAL	1,00			--
0002		ETET00730		LABEL BATTERIE SCOLLEGATE	1,00			--
0003		ETET02000		LABEL LOGO IPC	1,00			--
0004		ETET00463		ADHESIVE SCARICO ACQUA	1,00			--
0005		ETET01363		LABEL LATERALE CLT 160	2,00			--
0006		MPVR04062		TANK RECUP.CT160	1,00			--
0007		MPVR04096		PEDAL P185	1,00			--
0008		ETET01408		LABEL SCHEMA COLLEG. BATTERIE	1,00			--
0009		MPVR04179		ENVELOPE PORTAMANUALE ADESIVA	1,00			--
0010		PLDC01455		ELEC. DIAGRAM DISEGNO	1,00			--
0011		MPVR04099		SIDE PANEL POSTER. P185	1,00			--
0012		MPVR04058		SIDE PANEL ANTER.P185	1,00			--
0013		MPVR04065		TANK SOLUZ.CT160	1,00			--
0014		ETET00897		ADHESIVE SIMBOLO PERICOLO	2,00			--
0015		ETET00906		ADHESIVE SIMBOLO PERICOLO DI ABRAS	2,00			--
0016		MIVR00064		ENVELOPE PORTA CABLAGGI	1,00			--
0017		PLDC01503		SP.PARTS LIST CLEANTIME 160	1,00			--
0018		PLDC01504		INSTR.MANUAL NEUTRO CLEANTIME 160	1,00			--



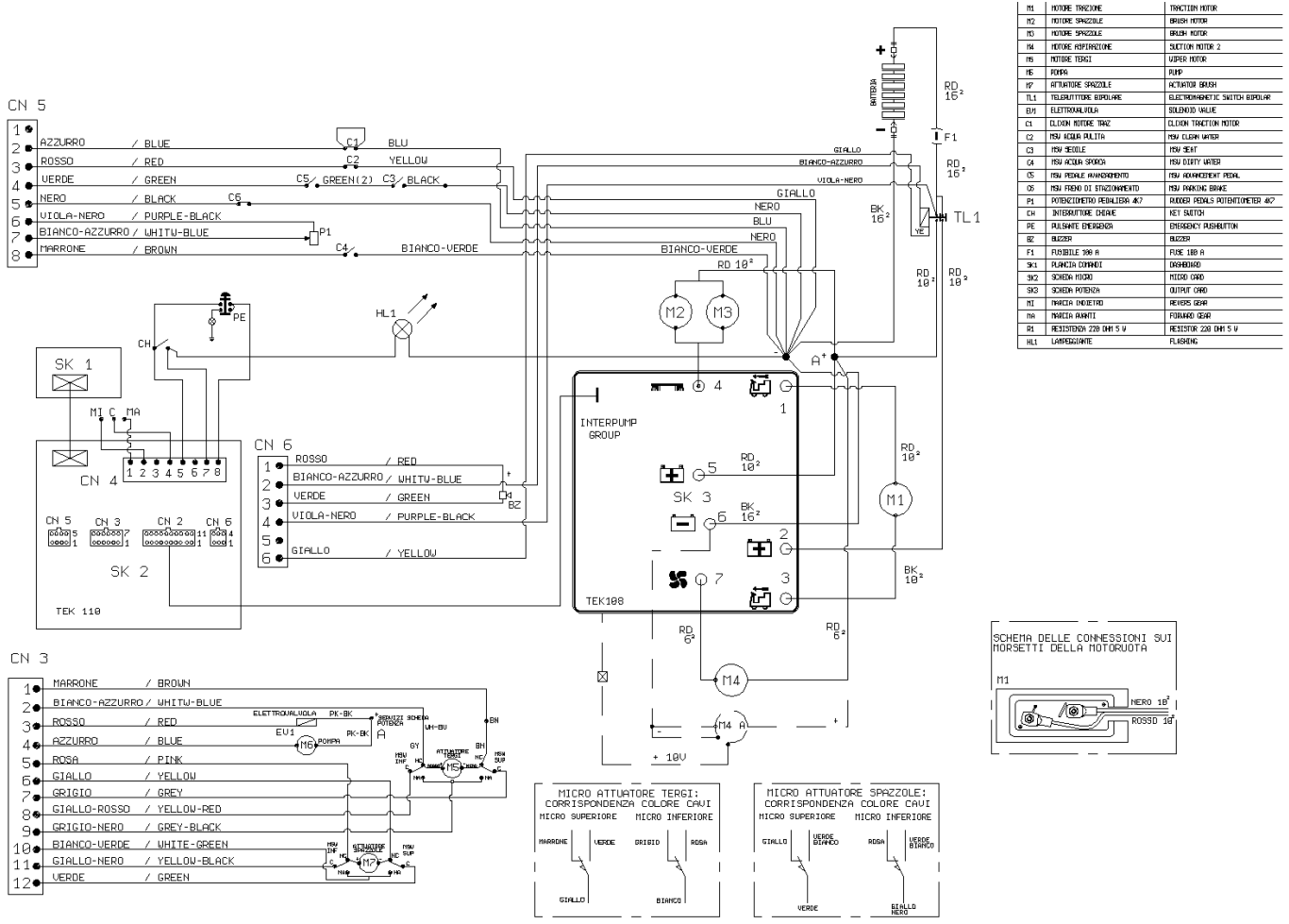
Ref. K	Part N.	Customer Part N.	Description	Qty	Validity:		Price
					From	To	
0003	MIVR00065		LATH PER BLOCC. RUOT. 450/530	2,00			--
0006	VTVT00770		SCREW TE AUTOF. 8X50	4,00			--



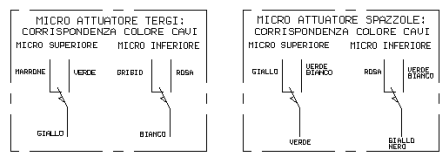
Ref.	K	Part N.	Customer Part N.	Description	Qty	Validity: From To	Price
0001		MPVR03002		PLANE CLEANTIME	1,00		--
0002		VTRS13945		WASHER D. 6X18 INX UNI 6593	8,00		--
0003		VTVT00093		SCREW TBCE ISO 7380 6X12 ZB	4,00		--
0006		FTAC00038		FILTER IN LINEA	1,00		--
0007		VTRS00503		WASHER D. 6 TE UNI 6798	2,00		--
0008		VTVT00699		SCREW TE M. 6-70	2,00		--
0009		RCVR00540		CONNECTOR	1,00		--
0010		RCVR00541		CURVED CONNECT.M/F G1/2 COD.126-2022	1,00		--
0011		RCVR00542		CURVED CONNECT.M G1/2 PORTAG. 113-2213	1,00		--
0012		VTVT85145		SCREW TCB T-CROCE 4,2X9,5 INOX	2,00		--
0013		MPVR04075		CAP PICCOLO "PONY"	1,00		--
0014		FSVR00107		CLAMP KSS CABLE CLAMP	1,00		--
0015		TBBP00319		TUBE L=350	1,00		--
0016		TBBP00369		TUBE ARMONVIN 12X3 L=280 MM	1,00		--
0017		RCVR00547		CONNECTOR PORTAG. DIRIT	1,00		--
0018		VTVT15906		SCREW TE 6X 12 A2 UNI 5739	5,00		--
0020		VTVT15966		SCREW TCEI M 6X25	4,00		--
0021		MPVR46988		CLIP LAV. SHK	1,00		--
0022		VTVT01300		SCREW TE M5X12 INOX	2,00		--
0023		PMVR01139		TUBE SOLUZIONE CLT160	1,00		--
0024		FTAC48857		FILTER ASP. ACQUA SERB. LAVAP.	1,00		--
0026		MPVR04127		PLATE CONTENITORE BATTERIE P185	1,00		--
0027		LAFN05807		GUIDE PER ASTA SERBATOIO P185	1,00		--
0028		LAFN05803		ASSEMBLED ASTA SERBATOIO P185	1,00		--
0029		LAFN04148		BUSHING ASTA SERBATOIO P185	1,00		--
0030		LAFN04147		SCREW ASTA SERBATOIO P185	1,00		--
0031		VTVT00889		SCREW TCEI M. 8-45	4,00		--
0032		VTVT00654		SCREW TC+ M.3-20	2,00		--
0033		VTRS21116		WASHER D. 3 INX	2,00		--
0034		VTDD21115		NUT M 3 INOX	2,00		--
0035		LAFN06474		SHEET METAL PA.PEDALE	1,00		--
0036		LAFN06473		SHEET METAL PA.PEDALE	1,00		--
0038		LAFN00909		BRACKET BIELLETTA PEDALE	1,00		--
0039		MLML00034		SPRING PEDALE AVANZAMENTO G1050	1,00		--
0040		LAFN00524		PIN PEDALE TK 1050	1,00		--
0041		LAFN01149		CONNECTING ROD PEDALE AVANZAMENTO G1050	1,00		--
0042		VTVT21096		SCREW TE M 4X 10 INX	1,00		--
0043		VTAE48552		CIRCLIP D. 6 UNI 7435	3,00		--
0044		MPVR00302		CRANKCASE PEDALE AVANZAMENTO	1,00		--



Ref.	K	Part N.	Customer Part N.	Description	Qty	Validity:		Price
						From	To	
0045		VTVT15143		SCREW TE 6X16 UNI5739	1,00			--
0046		LAFN05802		FLANGE PEDALE ACCELERATORE P185	1,00			--
0047		VTVT22203		SCREW TCB-TC 4X25 UNI7687	2,00			--
0048		VTDD00147		NUT M 4 INX U.5588	2,00			--
0049		LAFN51079		ECCENTRIC SERB.RECUP.P185	1,00			--
0050		LAFN51080		RING NUT ECCENTR.SERB.RECUP.P185	1,00			--
0051		VTRS13946		WASHER D. 8 X24 INX UNI 6593	1,00			--
0052		VTVT00832		SCREW TSPEI M6X16 INOX	1,00			--
0053		MECI00338		SENSOR DI LIVELLO ORIZZONTALE	1,00		05/2006	--
0053		MECI00400		SENSOR DI LIVELLO ORIZZONTALE	1,00	06/2006		--
0054		MECB00124		WIRING pedale acceleratore G1050	1,00		05/2006	--
0054		MECB00995		WIRING PEDALE ACCEL.P160	1,00	06/2006		--
0055		FSVR00091		CLAMP 14-24	4,00			--
0056		RCVR00713		REDUCTION MASCHIO/MASCHIO	1,00			--
0057		RCVR00712		CONNECTOR PORTAGOMMA	1,00			--
0058		GUGO00290		GASKET OR (G10052)	1,00			--
0059		MEVR01431		GUIDE PVC GRIGIO 25 X 40	1,00			--
0060		MPVR00866		PLANE ANTISDRUCCIOLO G1050	1,00			--
0061		CMCV76639		FORK M 6 UNI 1676	1,00			--
0062		CMCV75717		CLIP UNI 1676 M6	1,00			--
0063		VTDD00482		NUT M 6 ZIN UNI 5588	1,00			--
0064		VTDD04369		NUT M 4 TEF UNI 7473	2,00			--
0065		VTVT00089		SCREW TCCE UNI 5931 4X10 ZB	2,00			--



M1	MOTORE TRAZIONE	TRACTION MOTOR
M2	MOTORE SPAZZOLE	BRUSH MOTOR
M3	MOTORE SPAZZOLE	BRUSH MOTOR
M4	MOTORE ASPERZIONE	SECTION MOTOR 2
M5	MOTORE TERGI	WIPER MOTOR
M6	POMPA	PUMP
M7	ATTUATORE SPAZZOLE	ACTUATOR BRUSH
TL1	RELETTUTTORE ELETTROLICA	ELECTROMAGNETIC SWITCH BRUSH
DM1	ELETTROLICA	ELECTROVALVE
C1	CLISON MOTORE TRAZ	CLISON TRACTION MOTOR
C2	RSV ACQUA ALTA	RSV CLEAN WATER
C3	RSV SECCIA	RSV SEAT
C4	RSV ACQUA SPORCA	RSV DIRTY WATER
C5	RSV PEOPLE AVANZAMENTO	RSV ADVANCEMENT PEDAL
C6	RSV FRENO DI STAGIONAMENTO	RSV PARKING BRAKE
P1	POTENCIOINTO RESISTENZA 40	POTENTIAL RESISTOR 40
CH	INTERMITTENTE DEGRE	WET SWITCH
PE	PULSANTE EMERGENZA	EMERGENCY ASSEMBLY
BZ	BIZZER	BEEPER
F1	FUSIBILE 300 A	FUSE 100 A
SK1	PLANCHIA OPERTI	OPERATOR
SK2	SCHEM P185	TESTE 040
SK3	SCHEM POTENZA	QUITAT 040
M1	INCHIO INCHIO	REVERS GEAR
M4	INCHIO MARMI	FORWARD GEAR
R1	RESISTENZA 220 OHM 5 W	RESISTOR 220 OHM 5 W
HL1	LAMPADINE	FLASHING



Ref. K	Part N.	Customer Part N.	Description	Qty	Validity: From To	Price
BZ	MEVR01436		BUZZER -	1,00	--	--
C2	MECI00338		SENSOR DI LIVELLO ORIZZONTALE	1,00	--	--
C3	MECI00287		SWITCH MULTIPLO A PRESSIONE	1,00	--	--
C4	MECI00338		SENSOR DI LIVELLO ORIZZONTALE	1,00	--	--
C6	MECI44780		MICROSWITCH D2VW-5L2A-1M OMR	1,00	--	--
CH	MECI00340		SWITCH A CHIAVE X MOT.BATT.P185	1,00	--	--
EV1	MEEV00021		SOLENOID VALVE RIF. D160SS10/K/20Z	1,00	--	--
HL1	MELF00040		FLASHING LIGHT	1,00	--	--
M1	RTRT00250		DRIVE ASSEMBLY V36 560W	1,00	--	--
M2	MOCC00248		MOTOR SPAZZOLE CPL	1,00	--	--
M3	MOCC00248		MOTOR SPAZZOLE CPL	1,00	--	--
M4	MOCC00252		MOTOR ASPIR.TRIS.36V	1,00	--	--
M5	MOCC00139		ATUATOR TERGI AO-01M	1,00	--	--
M6	PPEL45303		PUMP EST. 36V	1,00	--	--
M7	MOCC00140		ATUATOR TEST.AO1-C 36V	1,00	--	--
MA	MECI00337		SWITCH A LEVA	1,00	--	--
MI	MECI00337		SWITCH A LEVA	1,00	--	--
PE	MECI00341		BUTTON DI EMERGENZA P185	1,00	--	--
SK1	MEQE00050		CONTROL BOARD CPL P160	1,00	--	--
SK3	MECE00265		BOARD DI POTENZA P185 CPL	1,00	--	--
TL1	METT00065		CONTACTOR 36 V	1,00	--	--