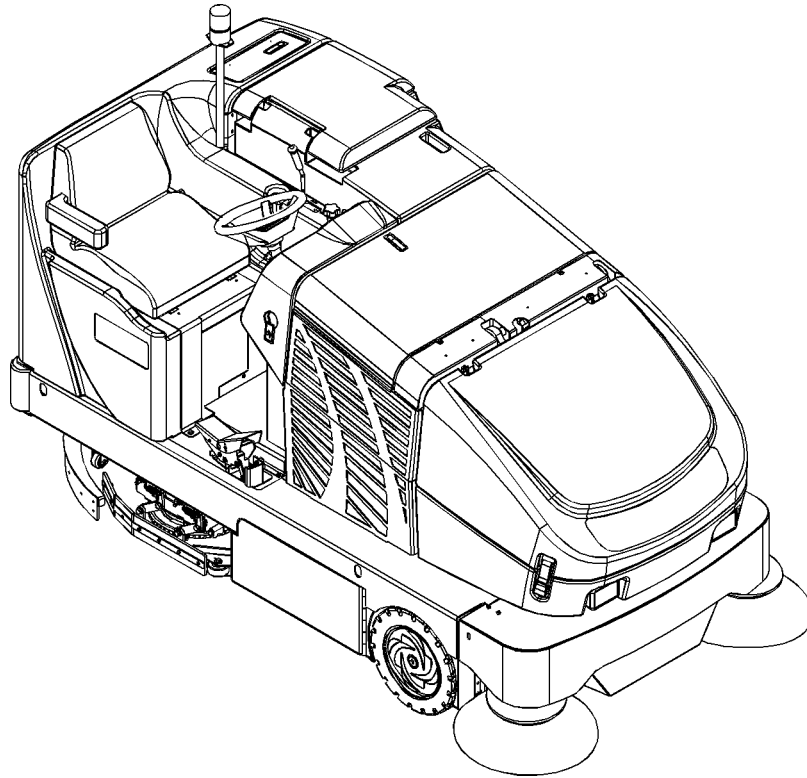


Captor™ 4300B, 4800B



PARTS LIST

Advance MODELS: 56303000 (4800), 56303001 (4300)
56303591 (4300 AXP), 56303592 (4800 AXP)



Advance

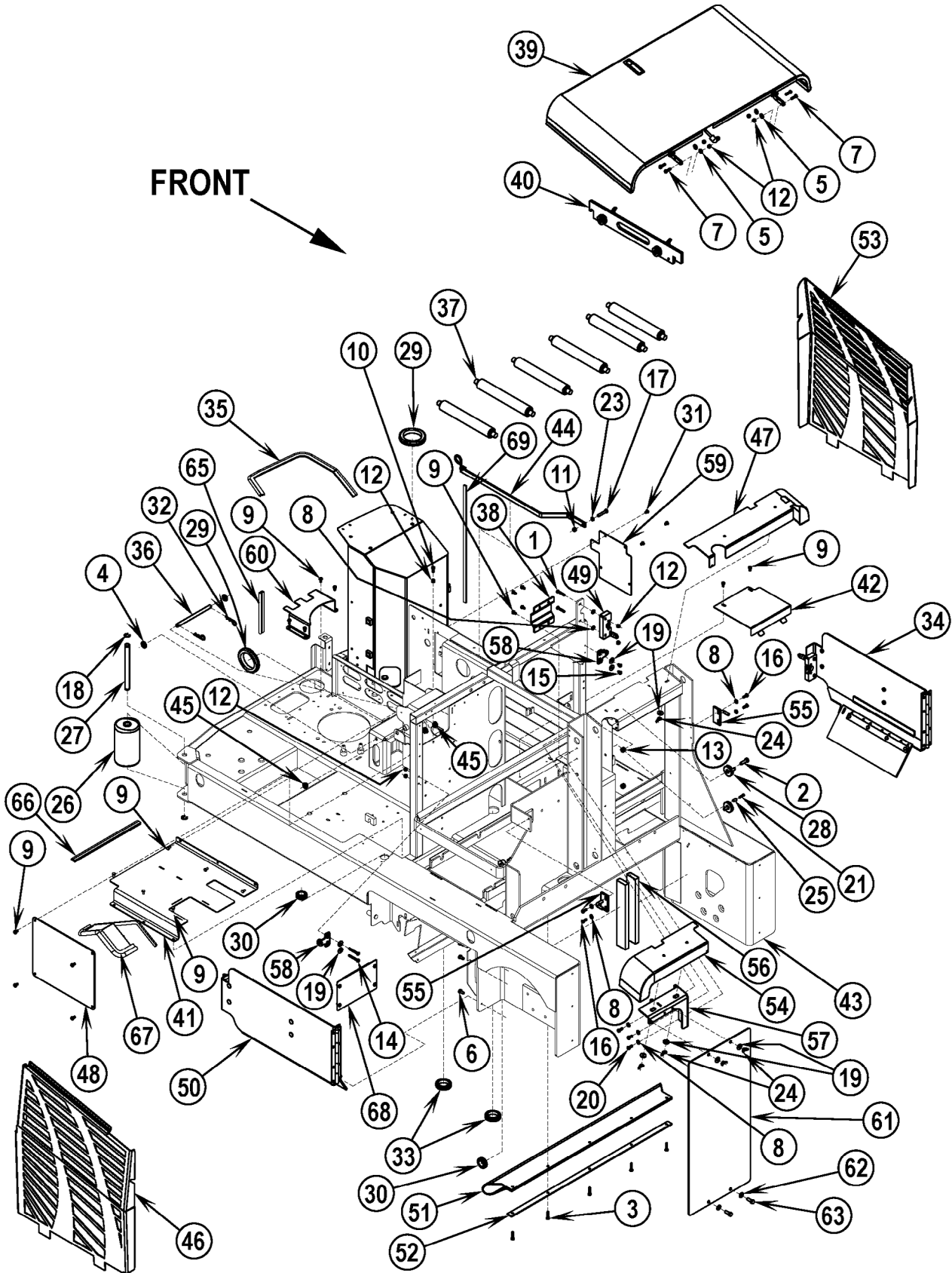
DESCRIPTION	PAGE
Chassis System.....	2-3
Chassis System Sub-Assemblies.....	4-5
Control System.....	6-7
Control System Sub-Assemblies.....	8-9
Decal System.....	10-11
Detergent Injection System (Control Box Assy).....	12-13
Detergent Injection System (Pump Assy).....	14-15
Drive System.....	16-17
Dust Control System.....	18-19
Electrical System.....	20-21
Electrical System Sub-Assemblies.....	22-23
Front Wheel System.....	24-25
Hopper System.....	26-27
Hopper System Sub-Assemblies.....	28-29
Hydraulic System.....	30-31
Main Broom System.....	32-33
Main Broom System Sub-Assemblies.....	34-35
Recovery System.....	36-37
Recovery Tank Assembly-4300B.....	38-39
Recovery Tank Assembly-4800B.....	40-41
Scrub System.....	42-43
Scrub System Skirt-Assemblies.....	44-45
Side Broom System.....	46-47
Side Broom System Sub-Assemblies.....	48-49
Solution System-4300B.....	50-51
Solution System-4800B.....	52-53
Solution System Sub-Assemblies.....	54-55
Squeegee System-4300B.....	56-57
Squeegee System-4800B.....	58-59
Squeegee Assembly.....	60-61
Steering System (before April 2009).....	62-63
Steering System (after March 2009).....	64-65
Wiring Diagram - 1 (before SN1779197).....	66-67
Wiring Diagram - 2 (before SN1779197).....	68-69
Wiring Diagram - 1 (after SN1779196).....	70-71
Wiring Diagram - 2 (after SN1779196).....	72-73
Wiring Diagram - 3 (after March 2009).....	74
Optional Kits and Accessories.....	75
Broom Selector Guide.....	76
Brush Selector Guide.....	77

WHEN ORDERING PARTS

- * Use the part numbers from the "Ref. No." columns in this parts list.
- * Specify the model and serial number of the machine.
- * Use the space below to record the model and serial number for future reference.

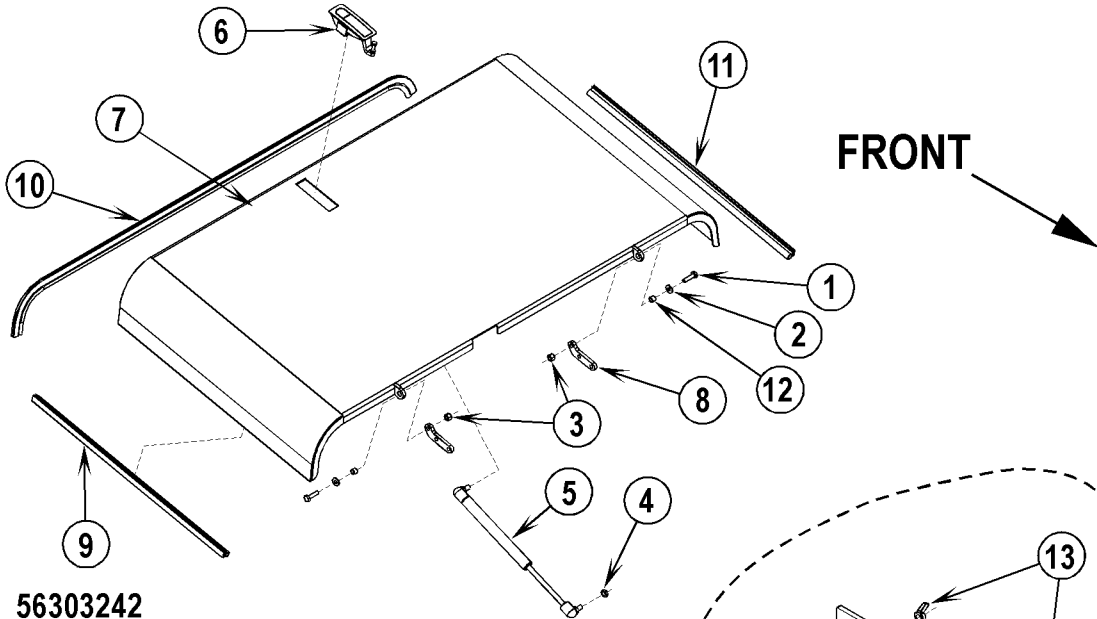
Model _____ Serial No. _____

FRONT



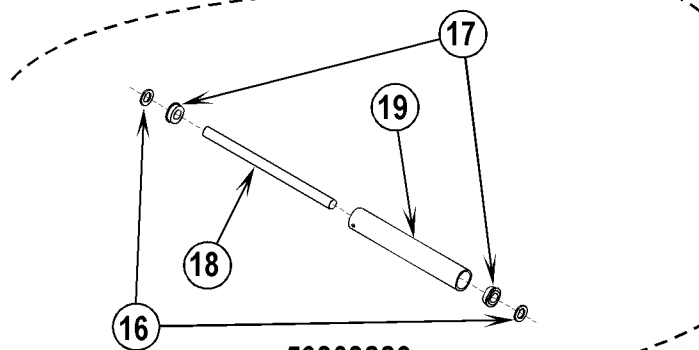
Item	Ref. No.	Qty	Description	Item	Ref. No.	Qty	Description
1	56002786	2	Scr, Pan Phil 1/4-20 x 1.50	41	56303312	1	Floor Weldment, Operator
2	56001858	2	Scr, Hex Hd 3/8-16 x 1.25	42	56303315	1	Cover, Broom Motor
3	56001878	5	Scr, Hex Hd 1/4-20 x 1.25	43	56303319	1	Weldment, Chassis
4	56001879	2	Wsh, Flt SAE 1/2	44	56304473	1	Prop Rod Linkage Weldment
5	56001906	4	Wsh, Flt Std 1/4	45	56304519	3	Bearing, Fl .625 x .500 x .375
6	56002929	6	Scr, Hex Hd Loc 5/16-18 x .62	46	56304583	1	Panel, Right
7	56002093	4	Scr, Hex Hd 1/4-20 x 1.00	47	56304692	1	Top Cosmetic Cover
8	56002098	9	Wsh, Flt SAE 1/4	48	56304787	1	Cover, Control Box
9	56009033	20	Scr, Hex Thd Form 1/4-20 x .50	49	56304827	1	Latch, RH
10	56002155	2	Scr, Hex Hd 1/4-20 x .75	50	56304876	1	Right Broom Door Assy
11	56002701	1	Nut, Hex Nyl Loc 5/16-18	51	56304926	1	Blade, Dump Door Shield
12	56002708	10	Nut, Hex Nyl Loc 1/4-20	52	56304927	1	Strap, Dump Door Shield
13	56002769	2	Nut, Hex Nyl Loc 3/8-16	53	56304958	1	Panel, Left
14	56001874	2	Scr, Hex Hd 1/4-20 x 2.00	54	56304968	1	Top Cover
15	56002933	2	Scr, Hex Hd Loc 1/4-20 x .38	55	56305095	2	Latch Weldment
16	56002948	4	Scr, Hex Hd Loc 1/4-20 x .75	56	56305197	2	Gasket
17	56003005	1	Scr, Hex Hd 5/16-18 x 1.75	57	56305281	1	Cover Mount Weldment
18	56003266	4	Ring, Ret Ext Type E 0.75 Dia.	58	56305331	2	Weldment, Panel Lock
19	56009002	10	Wsh, Flt .266 x .906 x .060	59	56307168	1	Panel, Broom Lift Adjust
20	56009018	3	Scr, Hex Thd Form 1/4-20 x .75	60	56303380	1	Guard, Steering Chain
21	56009038	2	Scr, Hex Thd Form 10-24 x .88	61	56303384	1	Cover, Rubber
23	56009086	1	Nut, Hex Jam 5/16-18	62	56002063	2	Wsh, Flt SAE 3/8
24	56002084	6	Nut, Wing 1/4-20	63	56002947	2	Scr, Hex Hd Loc 3/8-16 x 1.00
25	56200239	2	Bushing .20 x .37 x .62	65	56303462	1	Gasket
26	56409335	2	Bumper	66	56303463	1	Gasket
27	56409336	2	Pin	67	56303454	1	Shield Assy
28	56416546	2	Shielded Pulley	*	56009019	2	Scr, Hex Thd Form 1/4-20 x .38
29	56418198	2	Grommet	*	56303449	1	Shield
30	56418199	2	Grommet	*	56303452	1	Gasket, Bulb
31	56003603	4	Scr, Pan Phil Thd Form 1/4-20 x .38	*	56303453	1	Gasket
32	56003222	2	Pin, Cotter Hair .125 x .5	68	56303494	1	Cover Assy
33	56056215	2	Grommet	*	56009033	4	Scr, Hex Thd Form 1/4-20 x .50
34	56303143	1	Left Broom Door Assembly	*	56303465	1	Gasket
35	56303461	1	Trim-Seal	*	56303468	1	Cover
36	56303205	1	Pin, Actuator Mount	69	56303465	1	Gasket
37	56303228	6	Roller Assembly				
38	56303229	1	Guard, Hydraulic Hoses				
39	56303242	1	Cover Battery Assembly				
40	56303307	1	Plate, Battery Removal Assembly				

* = Not Shown

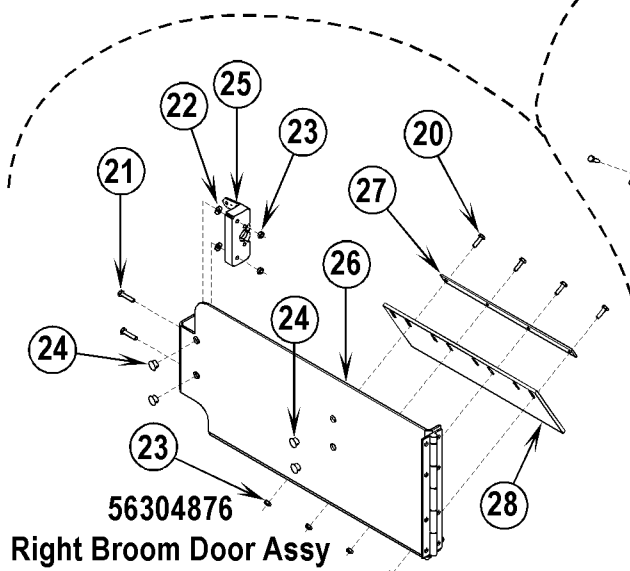


56303242
Engine Cover Assy

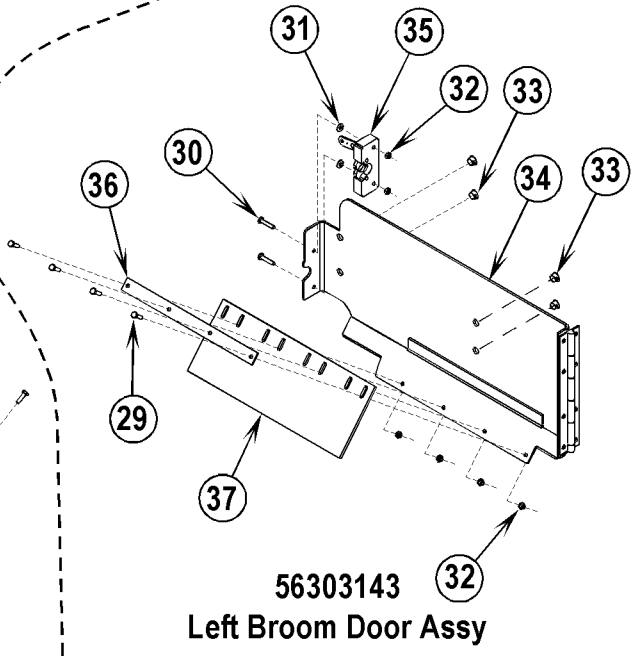
56303307
Plate, Battery Removal
Assembly



56303228
Roller Assembly



56304876
Right Broom Door Assy



56303143
Left Broom Door Assy

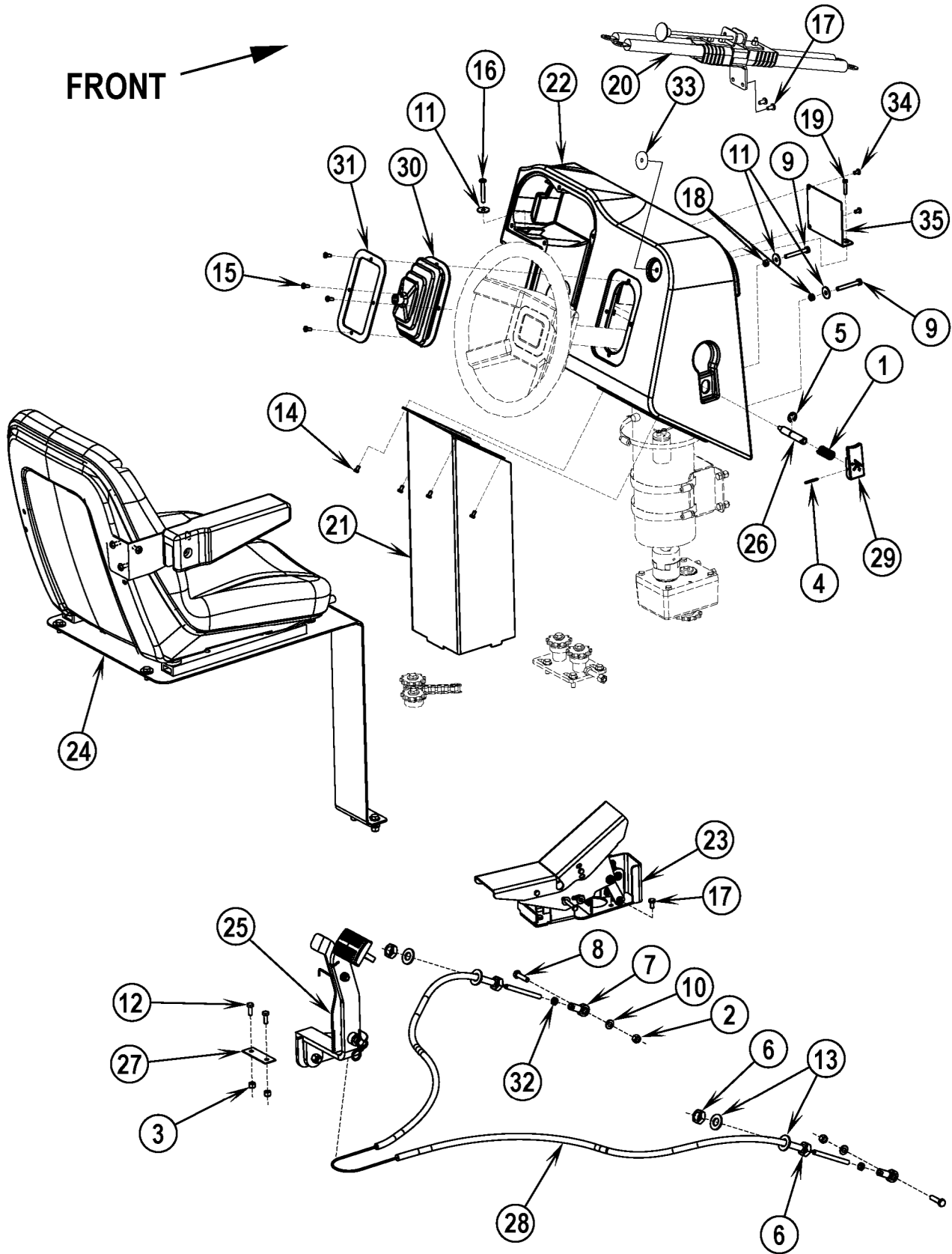
04-3

CHASSIS SYSTEM SUB-ASSEMBLIES

08-11

Captor™ 4300B, 4800B**5**

Item	Ref. No.	Qty	Description
	56303242	1	Cover Battery Assembly (items 1-12)
1	56002093	2	Scr, Hex Hd 1/4-20 x 1.00
2	56002098	2	Wsh, Flt SAE 1/4
3	56002708	2	Nut, Hex Nyl Loc 1/4-20
4	56002826	2	Nut, Hex Nyl Loc-Thin 5/16-18
5	56385238	1	Gas Cylinder
6	56418471	1	Door Latch
7	56303241	1	Cover Battery Weldment
8	56304690	2	Hinge Front, Engine Cover
9	56305268	1	Trim-Seal, Raw
10	56305269	1	Trim-Seal, Raw
11	56305502	1	Trim-Seal, Raw
12	56330027	2	Bushing
	56303307	1	Plate, Battery Removal Assy (items 13-15)
13	56003289	2	Nut, Wing 1/2-13
14	56303156	1	Plate, Battery Removal
15	56449221	2	Bumper, 1.43 Dia.
	56303228	1	Roller Assembly (items 16-19)
16	56009022	2	Washer
17	56362352	2	Bearing, Ball
18	56303227	1	Bar
19	56303226	1	Roller
	56304876	1	Right Broom Door Assy (items 20-28)
20	56001821	4	Scr, Hex Hd 1/4-20 x .88
21	56001878	2	Scr, Hex Hd 1/4-20 x 1.25
22	56002098	2	Wsh, Flt SAE 1/4
23	56002840	6	Nut, Hex Nyl Loc-Thin 1/4-20
24	56418888	4	Plug, Cap
25	56304827	1	Latch, RH
26	56304877	1	Right Broom Door Weldt
27	56304881	1	Strap, Broom Door
28	56304882	1	Skirt, Broom Door
	56303143	1	Left Broom Door Assy (items 29-37)
29	56001821	4	Scr, Hex Hd 1/4-20 x .88
30	56001878	2	Scr, Hex Hd 1/4-20 x 1.25
31	56002098	2	Wsh, Flt SAE 1/4
32	56002840	6	Nut, Hex Nyl Loc-Thin 1/4-20
33	56418888	4	Plug, Cap
34	56303150	1	Left Broom Door Weldt
35	56304826	1	Latch, LH
36	56304881	1	Strap, Broom Door
37	56304882	1	Skirt, Broom Door



04-3

CONTROL SYSTEM

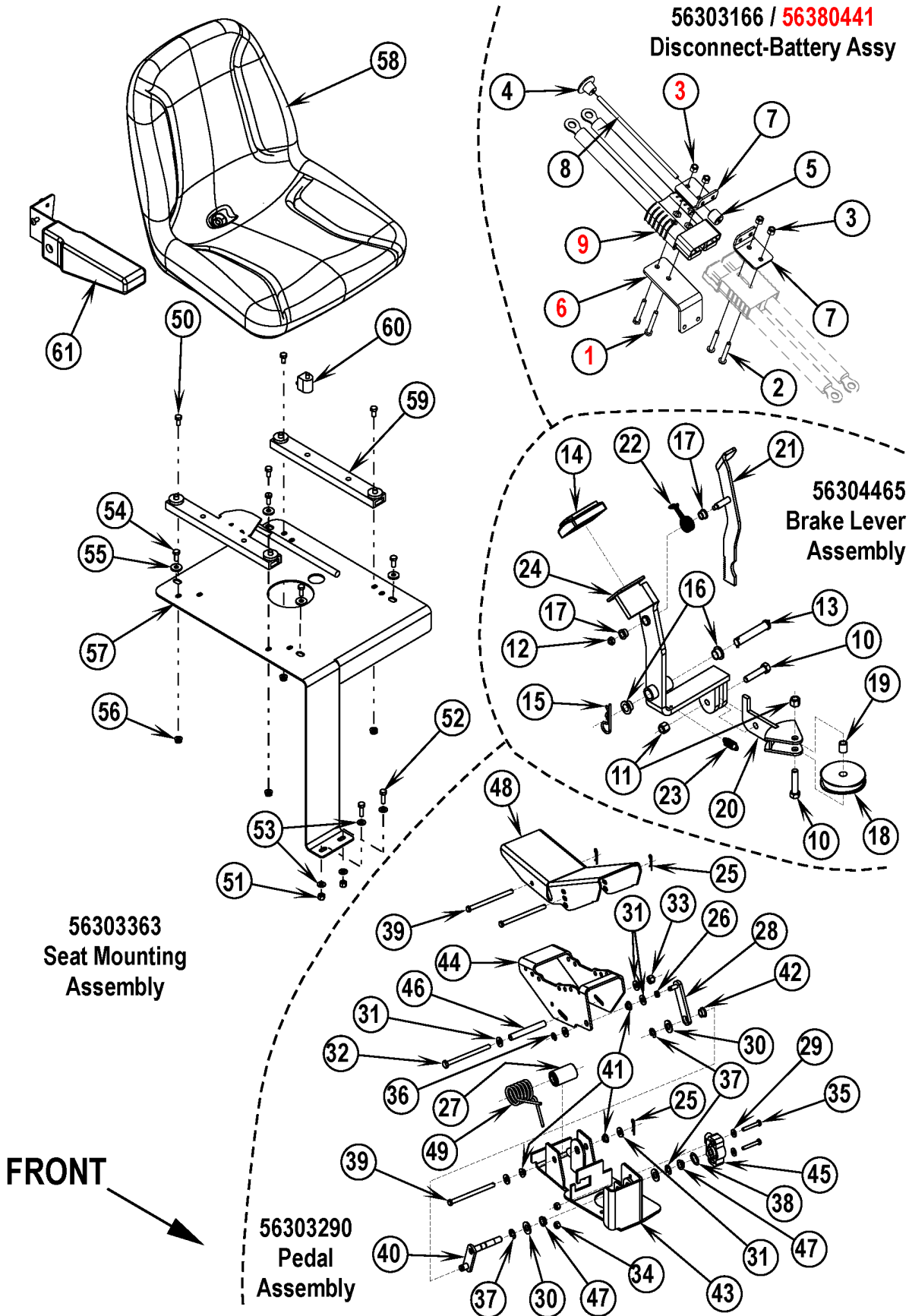
08-11

Captor™ 4300B, 4800B

7

Item	Ref. No.	Qty	Description
1	56304531	1	Spring, Compression
2	56002701	2	Nut, Hex Nyl Loc 5/16-18
3	56002708	2	Nut, Hex Nyl Loc 1/4-20
4	56002763	1	Pin, Spr .12 x 1.12
5	56003264	1	Ring, Ret Ext Type E 0.50 Dia
6	56009099	4	Nut, Hex Jam 5/8-18
7	56418478	2	Rod, End .31
8	56001834	2	Scr, Hex Hd 5/16-18 x 1.25
9	56001874	2	Scr, Hex 1/4-20 x 2.00
10	56001939	2	Wsh, Flt SAE 5/16
11	56009002	3	Wsh, Flt .266 x .906 x .060
12	56002155	2	Scr, Hex Hd 1/4-20 x .75
13	56002319	4	Wsh, Flt SAE 9/16
14	56009012	4	Scr, Hex Thd Form 10-24 x .38
15	56002831	4	Scr, Pan Phil Blk 10-24 x .50
16	56002997	1	Scr, Pan Phil 1/4-20 x 1.75
17	56009033	5	Scr, Hex Thd Form 1/4-20 x .50
18	56002840	2	Nut, Hex Nyl Loc-Thin 1/4-20
19	56009176	1	Scr, Hex Thd Form 10-24 x 1.00
20	56380441	1	Disconnect, Battery Assembly NOTE 1
	56303166	1	Disconnect, Battery Assembly NOTE 2
21	56303177	1	Cover, Steering Shaft
22	56380437	1	Console Assembly, Battery Captor NOTE 1
	56303225	1	Console Assembly, Battery Captor NOTE 2
23	56303290	1	Pedal Assembly
24	56303363	1	Seat Mounting Assembly
25	56304465	1	Brake Lever Assembly
26	56304530	1	Pin, Lock
27	56304543	1	Catch, Brake Lock
28	56304599	1	Cable, Pull Brake
29	56304774	1	Steering Adjustment Lever
30	56304812	1	Boot, Steering
31	56304813	1	Steering Boot Retainer
32	56001884	2	Nut, Hex Jam 5/16-24
33	56015257	1	Decal, Emergency Disconnect NOTE 2
34	56009030	2	Scr, Pan Phil Thd Form 10-24 x .38
35	56303467	1	Cover

NOTE 1: Only used after March 2009.**NOTE 2:** Only used before April 2009.

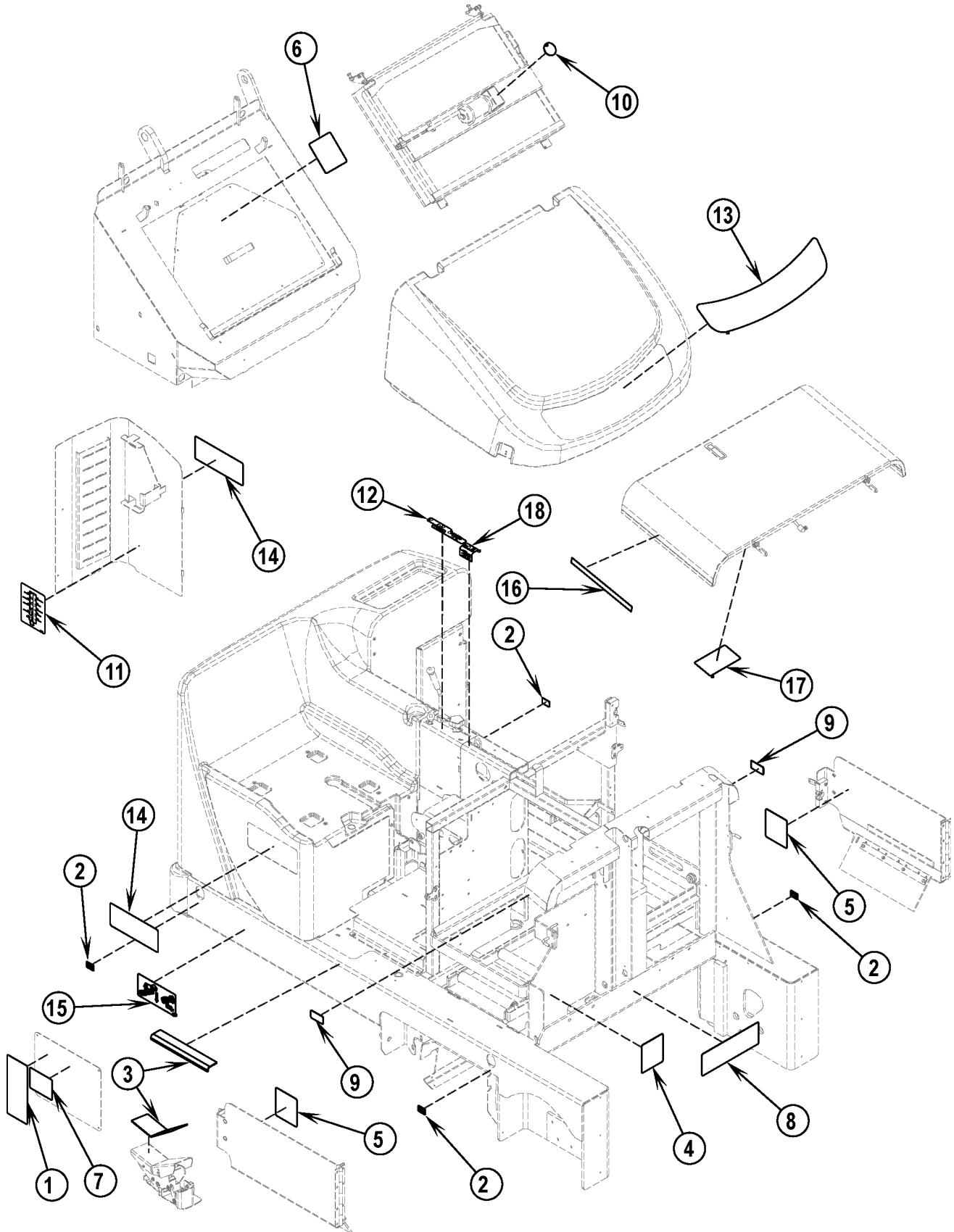


Item	Ref. No.	Qty	Description	Item	Ref. No.	Qty	Description
	56303166	1	Disconnect Battery Assembly (items 1-9) NOTE 3		56303290	1	Pedal Assembly (items 25-49)
	56380441	1	Disconnect Battery Assembly (items 1, 3, 6, 9) NOTE 2	25	56003332	3	Pin, Cot Hair .042 x .188
1	56001874	2	Scr, Hex Hd 1/4-20 x 2.00	26	56328758	1	Bushing
	56001967	2	Scr-Hex 1/4-20 x 1.75 (56380441 only)	27	56409378	1	Spacer, Nylon
2	56002997	2	Scr, Pan Phil 1/4-20 x 1.75	28	56409610	1	Link Weldment
3	56002708	4	Nut, Hex Nyl Loc 1/4-20 (qty of 2 on 56380441)	29	56001954	2	Wsh, Flt SAE #10
4	56478605	1	Knob	30	56002063	3	Wsh, Flt SAE 3/8
5	56478660	1	Block	31	56002098	6	Wsh, Flt SAE 1/4
6	56303168	1	Mount, Battery Disconnect	32	56002689	1	Scr, Hex Hd 1/4-20 x 3.50
7	56303169	2	Tab, Battery Disconnect	33	56002840	1	Nut, Hex Nyl Loc-Thin 1/4-20
8	56303170	1	Rod, Battery Disconnect	34	56002768	2	Nut, Hex Nyl Loc 10-24
9	56303218	1	Connector Assy, Main	35	56003687	2	Scr, Hex Hd 10-24 x 1.25
	56303167	1	Connector, SB350 Grey	36	56003268	1	Ring, Ret Ext Type E Reinf. 0.25 Dia
	56304465	1	Brake Lever Assembly (items 10-24)	37	56003269	3	Ring, Ret Ext Type E Reinf. 0.38 Dia
10	56002684	2	Scr, Hex Hd 3/8-16 x 1.75	38	56479764	1	O-Ring -113 NBR 70
11	56002769	2	Nut, Hex Nyl Loc 3/8-16	39	56003669	3	Clevis, Pin .25 x 3.50
12	56002840	1	Nut, Hex Nyl Loc-Thin 1/4-20	40	56303283	1	Link Weldment
13	56003207	1	Clevis, Pin .50 x 2.75	41	56303284	3	Bearing, Fl .375 x .250 x .188
14	56365002	1	Pad, Rubber	42	56303285	2	Bearing, Fl .500 x .375 x .250
15	56003222	1	Pin, Cotter Hair .125 x .5	43	56303286	1	Pedal Base Weldment
16	56304519	2	Bearing, Fl .625 x .500 x .375	44	56303288	1	Pedal Pivot
17	56304554	2	Bearing, Fl .500 x .375 x .313	45	56303313	1	Rotary Sensor, No Spring
18	56304557	1	Pulley, 3.00 Dia.	46	56303318	1	Bushing
19	56304558	1	Bearing, .500 x .375 x .625	47	56304518	1	Bearing, Fl .500 x .375 x .188
20	56304562	1	Pulley Weldment	48	56304777	1	Pedal
21	56304902	1	Weldment, Brake Lock	49	56314037	1	Spring, Torsion
22	56304972	1	Spring, Torsion .095		56303363	1	Seat Mounting Assembly (items 50-61)
23	56305072	1	Spring, Extension .075	50	56002035	4	Scr, Hex Hd 5/16-18 x .62
24	56305472	1	Weldment, Brake Lever	51	56002856	2	Nut, Hex Nyl Loc SS 5/16-18
				52	56002913	2	Scr, Hex Hd SS 5/16-18 x 1.00
				53	56002938	4	Wsh, Flt SAE SS 5/16
				54	56002956	4	Scr, Hex Hd Loc 5/16-18 x .75
				55	56009122	4	Wsh, Flt .344 x .938 x .125
				56	56001806	4	Nut, Hex Whiz W/Flange Loc 5/16-18
				57	56305115	1	Plate, Seat Mount
				58	7-69-00008	1	Seat Assembly NOTE 1
				59	56109300	1	Slide Kit, No Studs NOTE 1
				60	7-82-00050	1	Switch (S9) NOTE 1
				61	7-03-04250	1	Arm Rest Option NOTE 1

NOTE 1: Seat 56409021 has been obsoleted and replaced with 7-69-00008. If you order the old seat 56409021 you will receive Seat Assy Kit 56109291 in it's place which includes items (58-61).

NOTE 2: Only used after March 2009.

NOTE 3: Only used before April 2009.



04-3

DECAL SYSTEM

08-11

Captor™ 4300B, 4800B**11**

Item	Ref. No.	Qty	Description
1	56014601	1	Decal, Caution
2	56015370	4	Decal, Tie Down
3	56305606	2	Mat, Pedal
4	56015424	1	Warning, Hydraulic
5	56015425	2	Decal, Warning Broom
6	56015426	1	Decal, Warning Fan
7	56015427	1	Decal, Warning Tip Over
8	56015428	1	Decal, Warning Hopper
9	56025496	2	Decal, Caution
10	56030080	1	Decal, Hands Clear
11	56015164	1	Decal, Contactor Location
12	56015185	1	Decal, Main Broom/Solution
13	56015190	1	Decal, Advance
14	56303650	2	Decal, Captor
	56303590	2	Decal, Captor AXP
15	56015221	1	Decal, Solution Drain
16	56015223	1	Decal, Total Clean
17	56015244	1	Decal, Battery Wiring
18	56015245	1	Decal, Hopper Safety Support

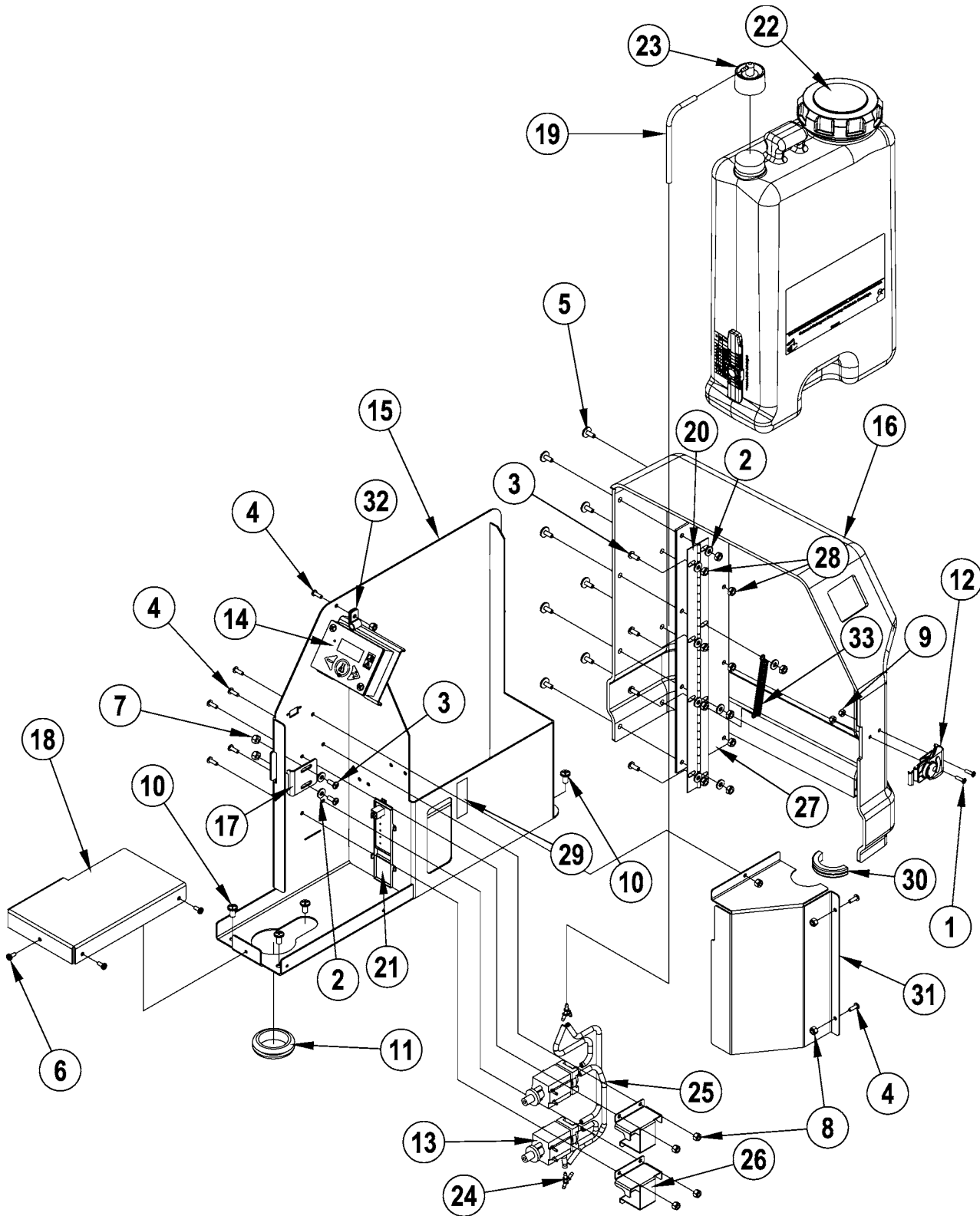
DETERGENT INJECTION SYSTEM (CONTROL BOX ASSY)

04-3

12

Captor™ 4300B, 4800B

09-5



Item	Ref. No.	Qty	Description
	56306197	1	Control Box Assy NOTE 1
1	56001830	2	Scr, Pan Phil 6-32 X .50
2	56001954	10	Wsh, Flt Sae #10
3	56001993	6	Scr, Pan Phil 10-24 X .50
4	56002003	8	Scr, Pan Phil 8-32 X .50
5	56009100	8	Scr, Pan Phil Thd Form-Blk 10-24 X .62
6	56002523	3	Scr, Pan Phil Thd Form 8-32 X .38
7	56002768	2	Nut, Hex Nyl Loc 10-24
8	56002808	8	Nut, Hex Nyl Loc 8-32
9	56002830	2	Nut, Hex Nyl Loc 6-32
10	56009033	5	Scr, Hex Thd Form 1/4-20 X .50
11	56054715	1	Grommet
12	56109591	1	Latch NOTE 2
13	56110742	2	Pump, Detergent, 12v
14	56306195	1	AXP Control Assy
15	56306124	1	Box Weldment, Chemical
16	56306133	1	Cover, Chemical Injection
17	56306147	1	Catch
18	56306148	1	Cover
19	56306169	1	Hose, Chem Resistant, 17.00
20	56306181	1	Hinge
21	56315340	1	Chemical Sensor Assy
22	56413999	1	Chemical Bottle Assy
*	56315517	1	Cap, raw
*	56315690	1	Cap, 38mm Buttress
*	56413119	1	Bottle, Chemical Assy
*	56413784	1	Insert, Dry Break
23	56315523	1	Cap, Dry Break, 1/8 Barb
24	56413691	2	Fitting, Y, Barb, .125
25	56413693	4	Hose, Chem Resistant, 5.00
26	56413775	2	Bracket, Pump Mount
27	56306191	1	Plate, Reinforcing
28	56002832	12	Nut, Hex Nyl Loc-Thin 10-24
29	56016331	1	Decal, Chemical Ratio
30	56344621	1	Grommet
31	56306198	1	Pump Cover
32	56300152	1	Clamp, P
33	56379301	1	Spring Ext .37 x 3.62
*	56478246	1	Tie, Cable
Items included with 56306145 Chemical Injection Kit			
	56306197	1	Control Box Assy NOTE 1
	56306160	1	Pump Assy, 36VDC NOTE 1
*	56040942	1	Instruction Sheet
*	56306167	1	Harness, Captor AXP
*	56387316	1	Circuit Breaker, 10A (F12)
*	56459367	1	Boot, Reset Button (for 56387316)
*	56009039	1	Scr, Hex Thd Form 10-24 x .50
*	56303588	1	Plate, Circuit Breaker Mount
*	56303589	1	Decal, Circuit Breaker
*	56051474	1	Clamp, P
*	56305232	1	Gasket, RS Strip
*	56459825	1	Bushing, Reducer
*	56303590	2	Decal, Captor AXP

NOTE 1: The detergent injection system is standard on the following Advance models: 56303591, 56303592.

NOTE 2: Latch 56109591 is the replacement for Latch 56054856. To replace a 56054856 Latch; remove the old latch, line up the new latch 56109591 with the catch, use the latch as a template to mark and drill the new mounting holes, assemble the new latch with the existing mounting hardware.

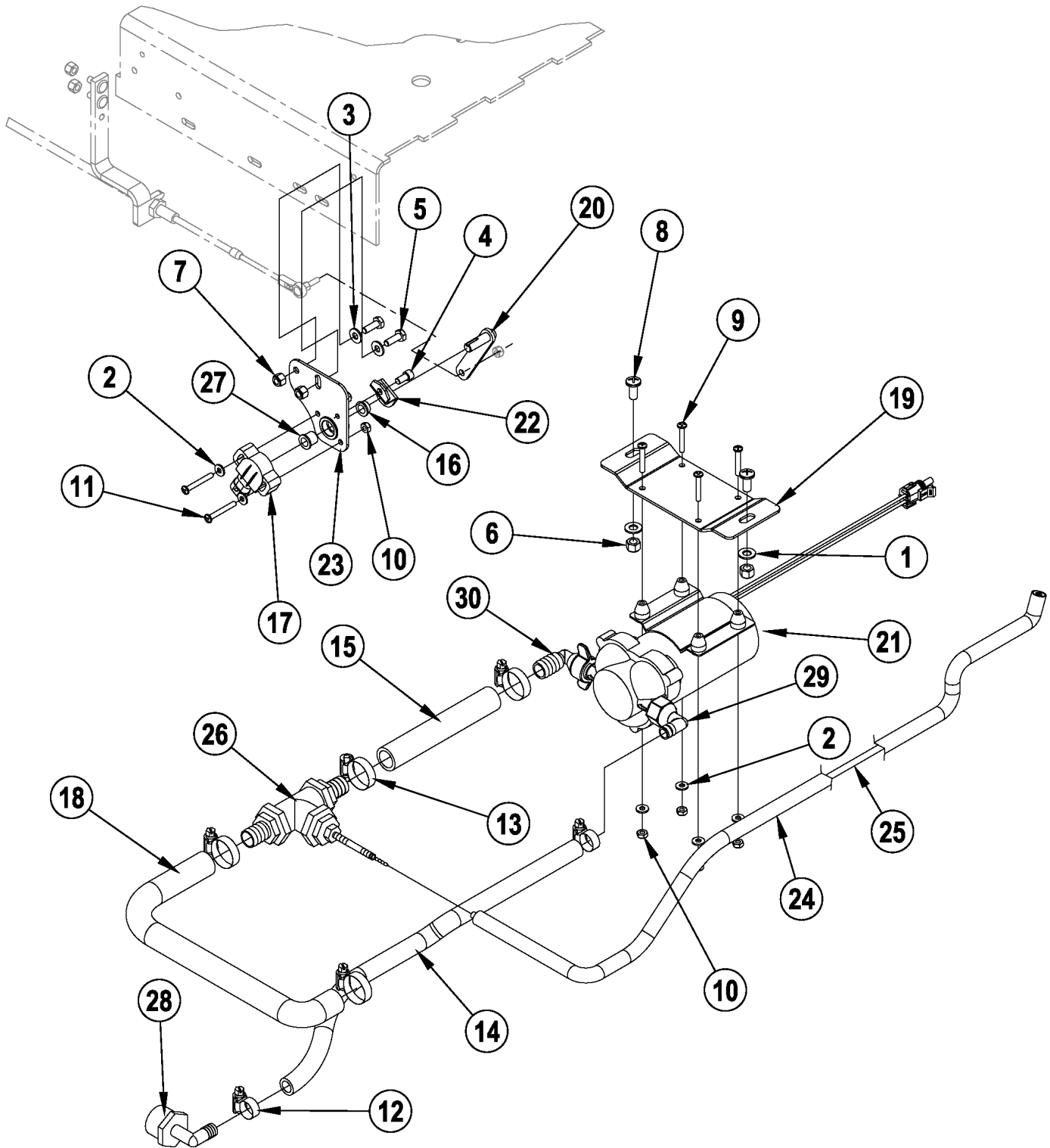
DETERGENT INJECTION SYSTEM (PUMP ASSY)

04-3

14

Captor™ 4300B, 4800B

07-12



04-3

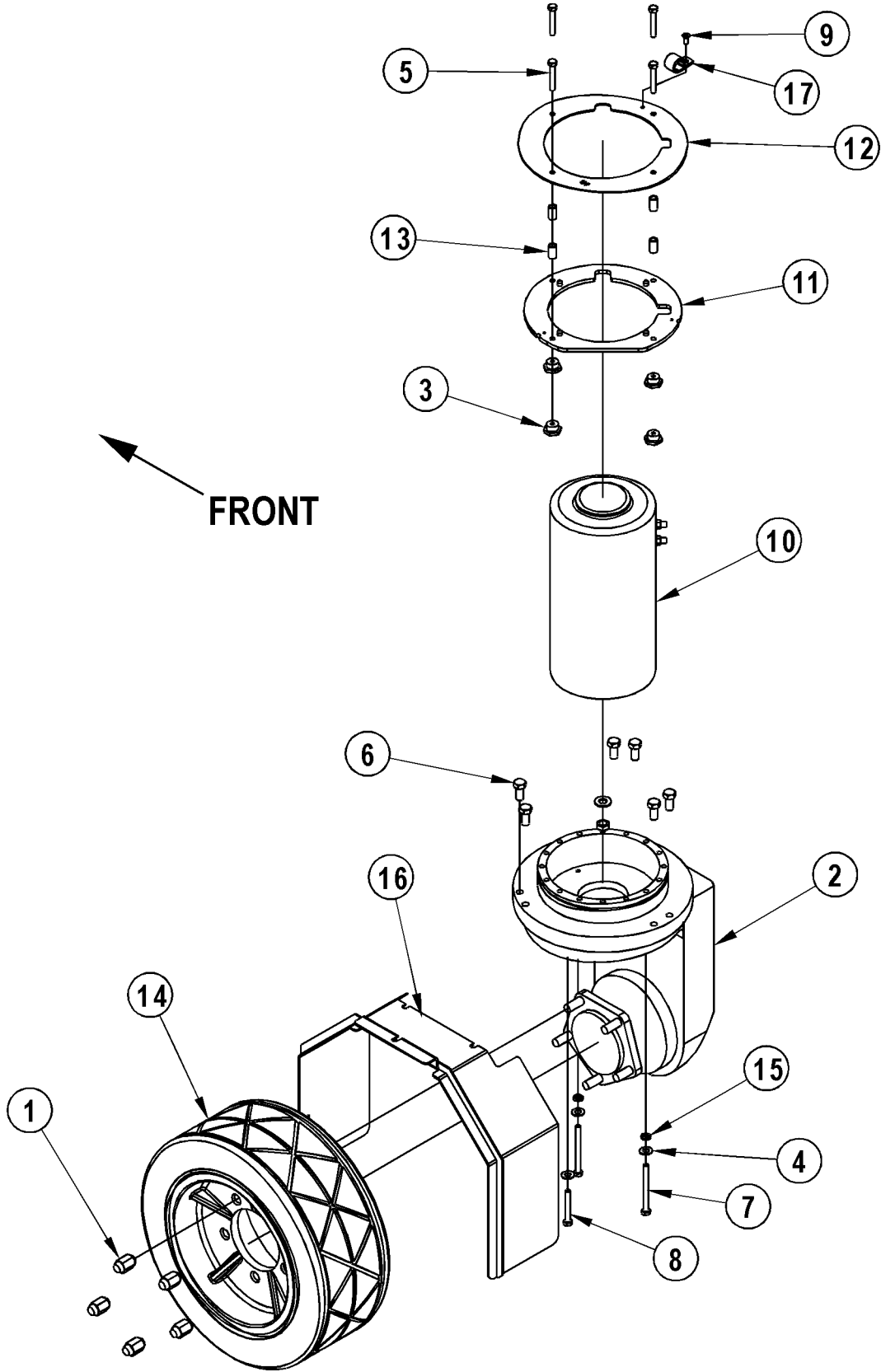
DETERGENT INJECTION SYSTEM (PUMP ASSY)

08-11

Captor™ 4300B, 4800B**15**

Item	Ref. No.	Qty	Description
	56306160	1	Pump Assy, 36VDC NOTE 1
1	56001939	2	Wsh, Flt SAE 5/16
2	56001954	6	Wsh, Flt SAE #10
3	56002098	2	Wsh, Flt SAE 1/4
4	56002115	2	Scr, Soc Hd 1/4-20 X 0.50
5	56002155	2	Scr, Hex 1/4-20 X .75
6	56002701	2	Nut, Hex Nyl Loc 5/16-18
7	56002708	2	Nut, Hex Nyl Loc 1/4-20
8	56002793	2	Scr, Pan Phil 5/16-18 X .75
9	56002824	4	Scr, Pan Phil 10-24 X 1.25
10	56002832	6	Nut, Hex Nyl Loc-Thin 10-24
11	56003574	2	Scr, Pan Phil Ss 10-24 X 1.50
12	56219932	2	Clamp, Hose SAE #6
13	56244969	4	Clamp, Hose SAE #12
14	56412277	1	Hose, Spiral .50
15	56305762	1	Hose, Spiral .75 x 6"
16	56303285	1	Bearing, Fl .500x.375x.250
17	56303313	1	Rotary Sensor, No Spring (R2)
18	56305591	1	Hose 3/4 Id X 1.0 Od X 22 Lg
19	56306122	1	Mount, Pump
20	56306129	1	Control Arm Weldt
21	56413810	1	Pump Assy, 36vdc (M17)
22	56306162	1	Bracket Pivot
23	56306165	1	Pivot Sensor Weldt
24	56306168	1	Conduit Solution Hose 44 Lg
25	56314942	1	Hose 1/8 X 1/4 X 48 Lg
26	56306194	1	Tee Assembly
27	56508737	1	Bearing, Fl .500x.375x.500
28	56900245	1	Barb, 90 Elbow 1/2 X 1.00npt
29	56261246	1	Elbow
30	56306146	1	Elbow, Poly 1/2 x 3/4

NOTE 1: The detergent injection system is standard on the following Advance models: 56303591, 56303592.



Item	Ref. No.	Qty	Description
1	56003384	5	Nut, Lug
2	56416024	1	Gearbox, Drive Wheel
3	56416296	4	Clamp, Steering
4	56002063	3	Wsh, Flt SAE 3/8
5	56002721	4	Scr, Hex Hd 5/16-18 x 2.00
6	56003382	6	Scr, Hex M12-1.75 x 25mm
7	56003390	2	Scr, Hex M8-1.25 x 90mm
8	56003398	1	Scr, Hex M8-1.25 x 60mm
9	56009137	1	Scr, Flt Phil Thd Form 1/4-20 x .62
10	56303032	1	Wheel Drive Motor Assy
*	56303033	1	Motor, 36VDC, 4 HP
*	56303426	4	Replacement Carbon Brushes
*	56409746	4	Replacement Brush Spring
*	56001879	1	Wsh, Flt SAE 1/2
*	56002868	1	Nut, Hex Nyl Loc Thin 1/2-20
*	56416299	1	O-Ring
11	56303082	1	Steering Plate Weldt
12	56303308	1	Plate, Chain Cover
13	56303309	4	Spacer Bushing
14	56303324	1	Rear Wheel Assy
	56303029	1	Hub, Rear
	56305036	1	Tire, Press-on 16-1/4 x 6
**	56303560	1	Wheel Assy, 3x-Groove 6
	56305996	1	Tire, 3x-Groove 6
**	56303028	1	High Durability Rear Wheel Assy
	56304025	1	High Durability Drive Tire
**	56303595	1	High Durability Urethane Rear Wheel Assy TSBUS2009-1038
	56380444	1	Tire, Press-on 16-1/4 x 6
15	56303497	2	Spacer
16	56303502	1	Fender Weldment
17	56303651	1	Clamp, Hose Support
*	56501001	1.70	Lube, Gear SAE 90 (Gal)

* = Not Shown

** = Optional, Not Included

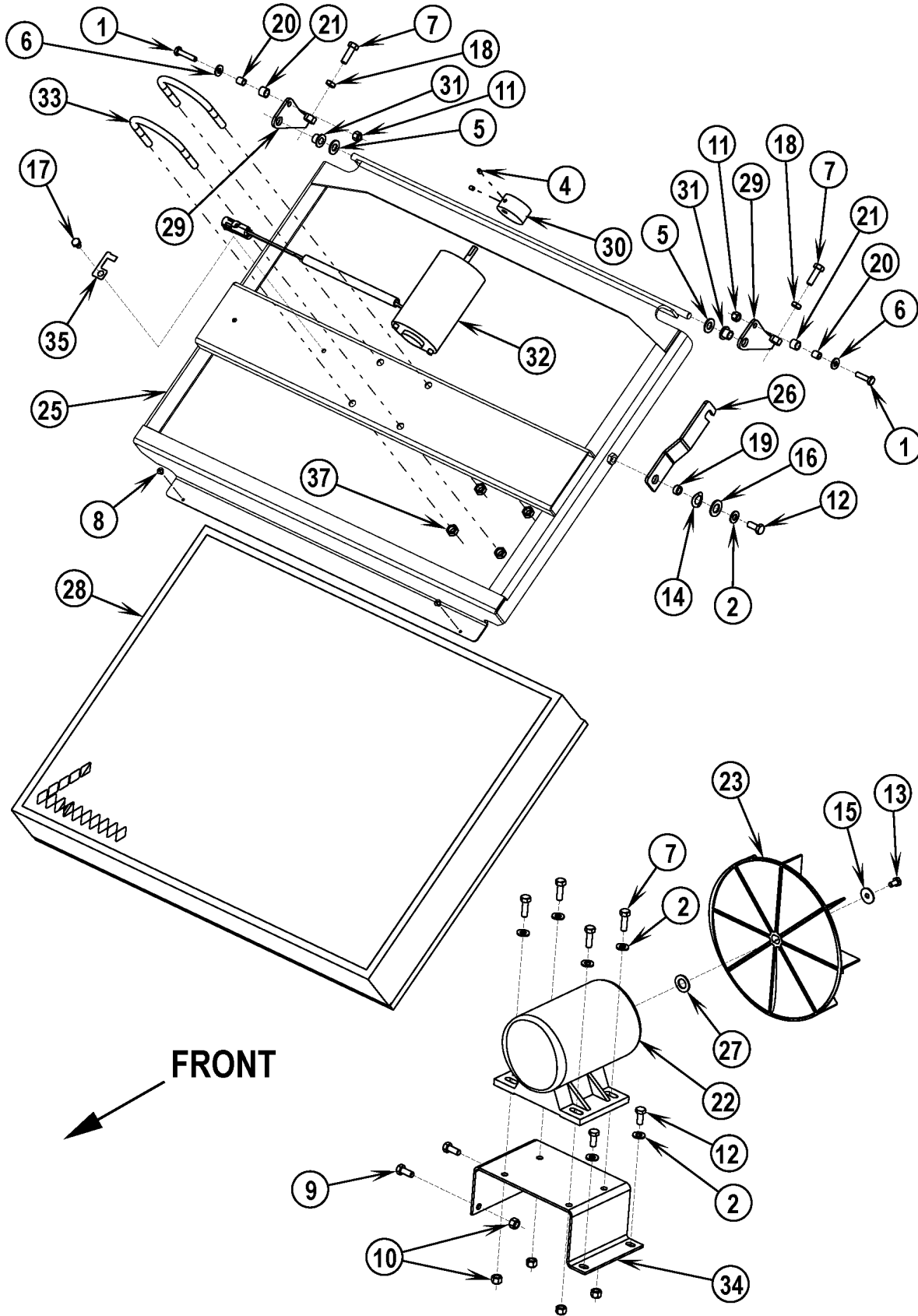
DUST CONTROL SYSTEM

04-3

18

Captor™ 4300B, 4800B

08-11



Item	Ref. No.	Qty	Description
1	56002093	2	Scr, Hex Hd 1/4-20 x 1.00
2	56001939	7	Wsh, Flt SAE 5/16
3			Intentionally Omitted
4	56002015	2	Scr, Soc Set Loc 10-24 x .25
5	56002063	2	Wsh, Flt SAE 3/8
6	56002098	2	Wsh, Flt SAE 1/4
7	56002221	6	Scr, Hex Hd 5/16-18 x 1.00
8	56002453	2	Scr, Pan Phil 10-24 x .25
9	56002667	2	Scr, Hex Hd 5/16-18 x .75
10	56002701	6	Nut, Hex Nyl Loc 5/16-18
11	56002708	2	Nut, Hex Nyl Loc 1/4-20
12	56002956	3	Scr, Hex Hd Loc 5/16-18 x .75
13	56003039	1	Scr, Hex Hd Loc 1/4-20 x .50
14	56009001	1	Wsh, Bowed .516 x .906 x .008
15	56009002	1	Wsh, Flt .266 x .906 x .060
16	56009003	1	Wsh, Flt .516 x .938 x .075
17	56009019	1	Scr, Hex Thd Form 1/4-20 x .38
18	56009086	2	Nut, Hex Jam 5/16-18
19	56320595	1	Bushing .32 x .50 x .28
20	56321532	2	Bushing .25 x .37 x .40
21	56370754	2	Bearing, Sleeve
22	56416020	1	Motor, .33 HP (M5)
*	56416595	1	Carbon Brush Set
23	56416021	1	Impeller
25	56416289	1	Filter Clamp Weldt
26	56416511	1	Latch, Shaker
27	56416613	1	Wsh, Flt .563 x 1.000 x .060
28	56303580	1	Filter Assy, Water Resistant
29	56416625	2	Shaker Hinge Weldment
30	56416671	1	Eccentric
31	56416675	2	Bushing, Flange
32	56467307	1	Motor Assy NOTE 1
33	56508888	2	U-Bolt NOTE 1
34	56303058	1	Mount, Fan
35	56409769	1	Clip, Weatherpack Mount
37	56002841	4	Nut-Hex Nyl Loc-Thin 3/8-16 NOTE 1

* = Not Shown

NOTE 1: The configuration of Shaker Motor 56467307 has changed as of October 2008. It was previously a VonWeise brand motor and now is AMER. As of this change the U-Bolts securing the motor have also changed from 56468329 to 56508888. The following parts are no longer used; 56380446, 56416280, 56002001. If you need to replace any of the following parts (56380446, 56416280, 56468329, 56467307) please order a new style Shaker Motor 56467307, two U-Bolts 56508888 and four Nuts 56002841.

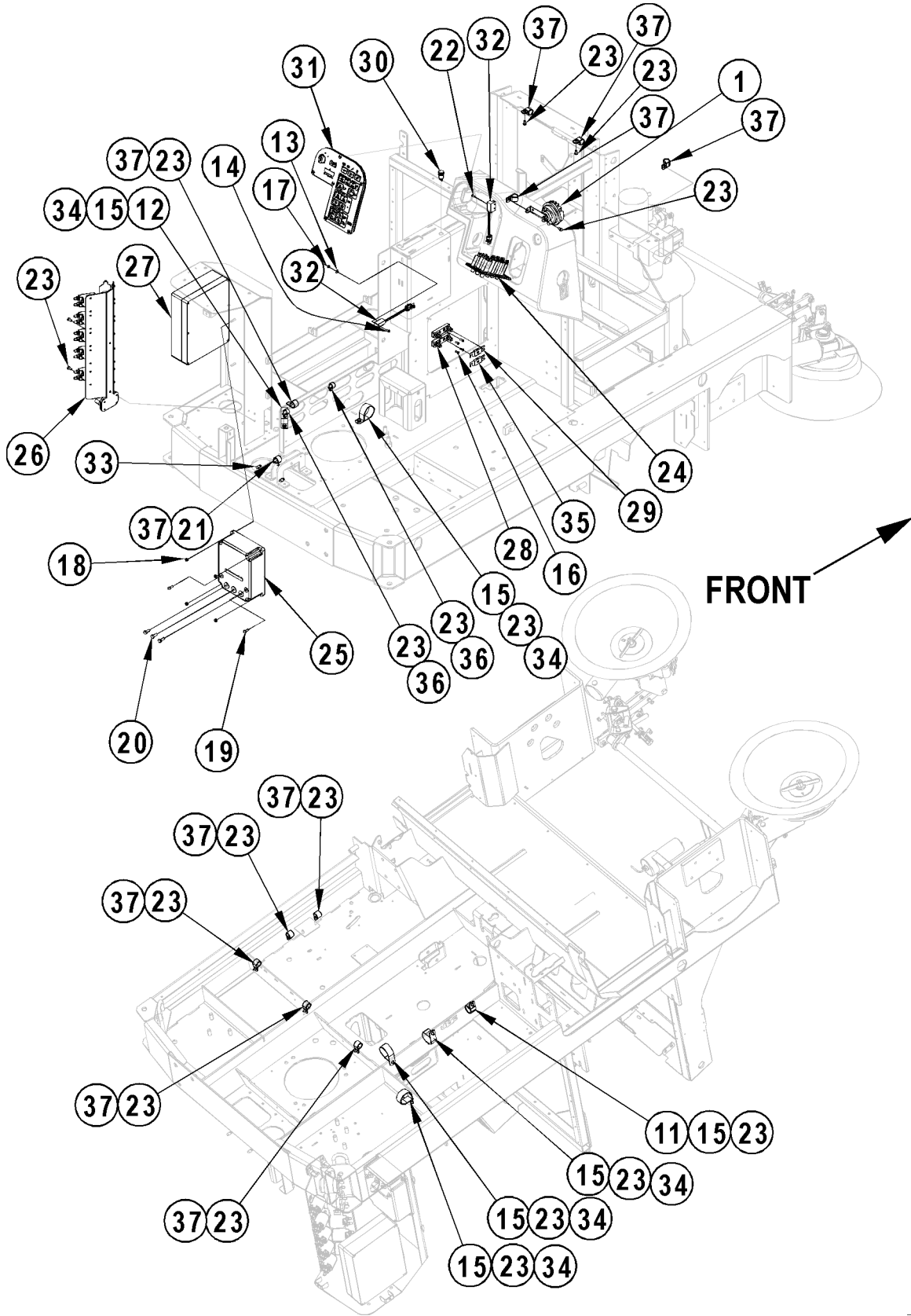
ELECTRICAL SYSTEM

04-3

20

Captor™ 4300B, 4800B

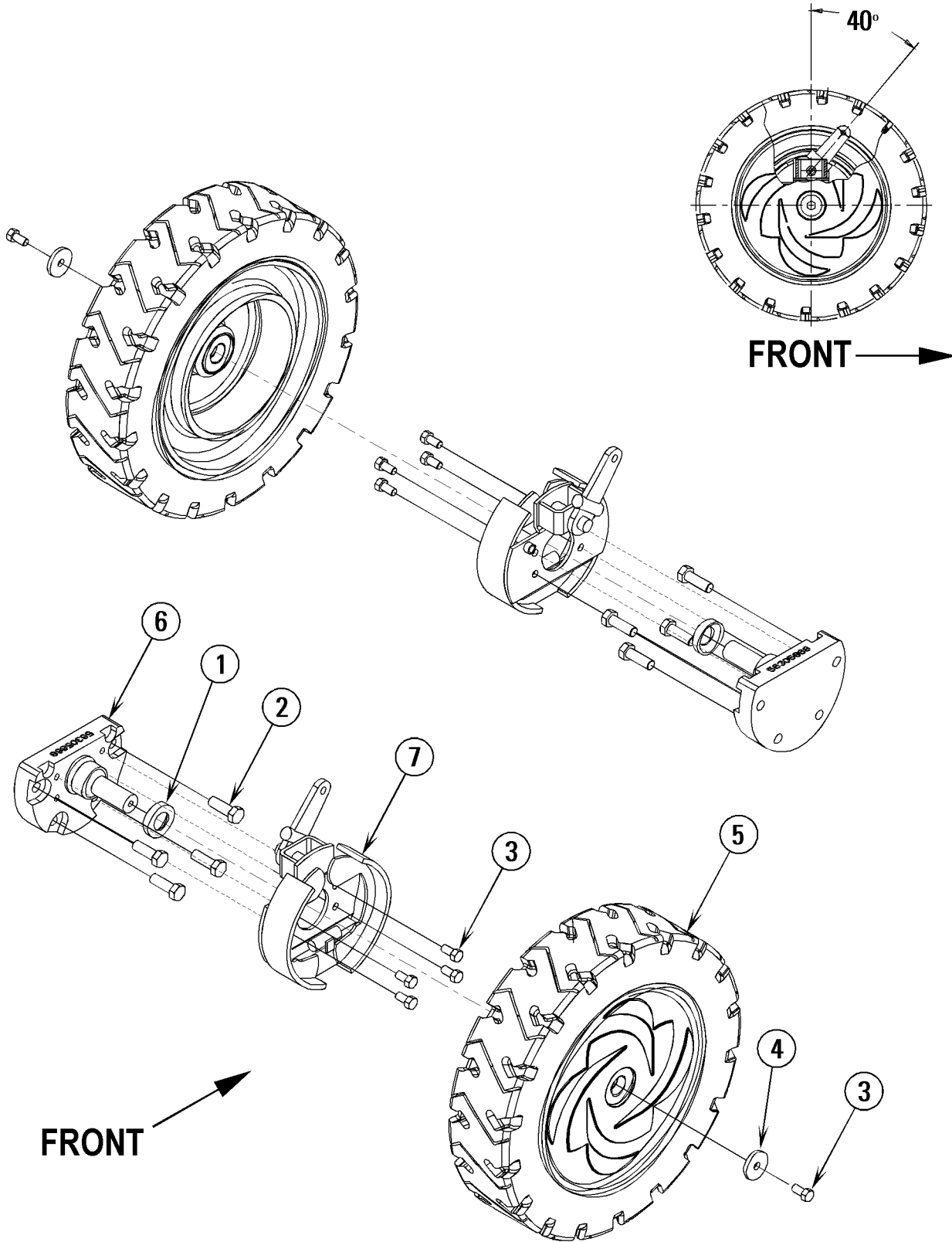
04-5



Item	Ref. No.	Qty	Description
1	56482365	1	Horn 36v
2	56303213	1	Harness, Drive Motor (not shown)
3	56303214	1	Harness, Hopper (not shown)
4	56303215	1	Harness, Lower (not shown)
5	56303216	1	Harness, Upper (not shown) Before SN1779197
	56303542	1	Harness, Upper (not shown) After SN1779196
6	56303217	1	Cable Asm, Red 3/0-2 (not shown)
7	56303219	1	Cable Asm, Blk 3/0-2 (not shown)
8	56303251	1	Cable Asm, Red 1-1 (not shown)
9	56303252	1	Cable Asm, Red 1-2 (not shown)
10	56303253	1	Cable Asm, Blk 1-2 (not shown)
11	56409463	1	Clamp, 1.25 Hose Support
12	56001854	1	Scr, Hex Hd 1/4-20 x .50
13	56001954	1	Wsh, Flt SAE #10
14	56001993	1	Scr, Pan Phil 10-24x.50
15	56002098	6	Wsh, Flt SAE 1/4
16	56009166	4	Scr, Flt Phil 10-24x.75
17	56002832	1	Nut, Hex Nyl Loc-Thin 10-24
18	56002840	4	Nut, Hex Nyl Loc-Thin 1/4-20
19	56003174	2	Scr Hex Thd To Hd M6-1.0 x 16mm
20	56003435	3	Scr, Hex Hd SS 8-1.25 x 20mm
21	56009018	1	Scr, Hex Thd Form 1/4-20 x .75
22	56009029	1	Scr, Pan Phil Thd Form 10-24 x .50
23	56009033	18	Scr, Hex Thd Form 1/4-20 x .50
24	56303176	1	Circuit Breaker Assembly
25	56303197	1	Controller, Electric Drive
26	56303200	1	Electric Panel Assy
27	56303201	1	Control Box Assy Before SN1779197
	56303543	1	Control Box Assy After SN1779196
28	56303295	2	Fuse Block
29	56303297	1	Fuse, 400 Amp
30	56303350	1	Light, Red Led Indicator
31	56303374	1	Gauge Panel Assembly Before SN1779197
	56303552	1	Gauge Panel Assembly After SN1779196
*	56303373	1	Panel Assy
*	56303553	1	Key Switch Assy TSBUS2004-873
*	56303526	1	Key, Replacement Set (replacement key for 56303553)
*	56009206	6	Scr, Truss Phil-Blk 10-24 x .50
32	56305053	2	Sensor, Proximity
33	56305237	2	Bulb, Light
34	56305492	5	P-Clamp
35	56410044	1	Fuse, 250 Amp
36	2-00-04602	2	Clamp, P
37	56303651	11	Clamp, Hose Support

* = Not Shown

Item	Ref. No.	Qty	Description
	56303200	1	Electric Panel Assembly (items 1-14)
1	56395450	1	Contactactor 36V (K10 Auxiliary)
2	56009019	20	Scr, Hex Thd Form 1/4-20 x .38
3	56009029	4	Scr, Pan Phil Thd Form 10-24 x .50
4	56303198	1	Contactactor 36V, Type 4 (K5 Drive)
5	56303199	1	Panel, Electric
6	56303298	2	Stud Type Junction Block
7	56303198	1	Contactactor 36V, Type 4 (K4 Main Broom)
8	56395450	1	Contactactor 36V (K3 Right Brush)
9	56395450	1	Contactactor 36V (K2 Center Brush)
10	56395450	1	Contactactor 36V (K1 Left Brush)
11	56395450	1	Contactactor 36V (K9 Steering)
12	56395450	1	Contactactor 36V (K8 Side Brooms)
13	56395450	1	Contactactor 36V (K7 Vacuum)
14	56395450	1	Contactactor 36V (K6 Dust Control)
	56303176	1	Circuit Breaker Assembly (items 15-28)
15	56387328	1	Circuit Breaker, 5 Amp (F2 Auxiliary)
16	56454538	1	Circuit Breaker, 15 Amp (F4 Dust Control)
17	56459367	5	Boot, Reset Button
18	56459368	3	Boot, Reset Button
19	56469788	1	Circuit Breaker 25 Amp (F1 Auxiliary)
20	56001993	2	Scr, Pan Phil 10-24 x .50
21	56303589	1	Decal, Circuit Breaker
22	56303588	1	Plate, Circuit Breaker Mount
23	56303299	1	Circuit Breaker, 40 Amp (F8 Vacuum Motors)
24	56303301	1	Circuit Breaker, 70 Amp (F7 Hydraulic Pump)
25	56305232	1	Gasket, RS Strip
26	56395454	1	Circuit Breaker, 20 Amp (F5 Side Brooms)
27	56395454	1	Circuit Breaker, 20 Amp (F3 Auxiliary)
28	56303299	1	Circuit Breaker, 40 Amp (F9 Power Steering)



04-3

FRONT WHEEL SYSTEM

08-11

Captor™ 4300B, 4800B**25**

Item	Ref. No.	Qty	Description
1	56305742	2	Spindle Spacer
2	56002954	8	Scr, Hex Hd Loc 1/2-13 x 1.50
3	56003079	10	Scr, Hex Hd Loc 3/8-16 x .75
4	56367117	2	Wsh, Flt .406 x 1.5 x .1875
5	56304020	2	Front Wheel Assy
*	56111531	2	Bearing, Ball (2 per wheel assy) TSBUS2007-981
*	56304024	1	Tire, Front (1 per wheel assy)
*	56304021	1	Hub, Front (1 per wheel assy) TSBUS2007-981
6	56305927	2	Machining, Front Spindle
7	56410012	2	Brake Assy
*	56305600	A/R	Brake Shoe (2 required per Brake Assy)

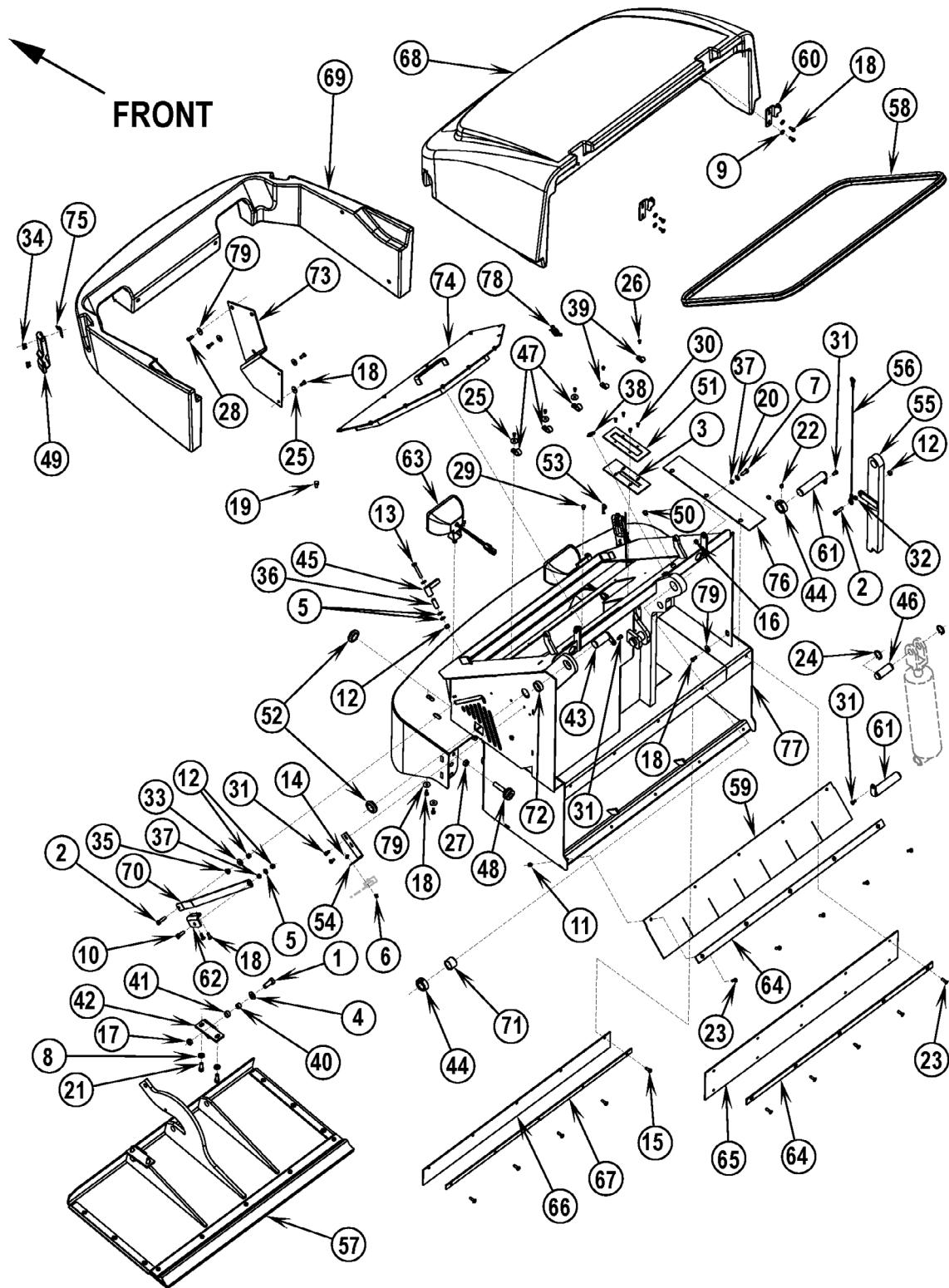
* = Not Shown

HOPPER SYSTEM
Captor™ 4300B, 4800B

04-3

26

07-12

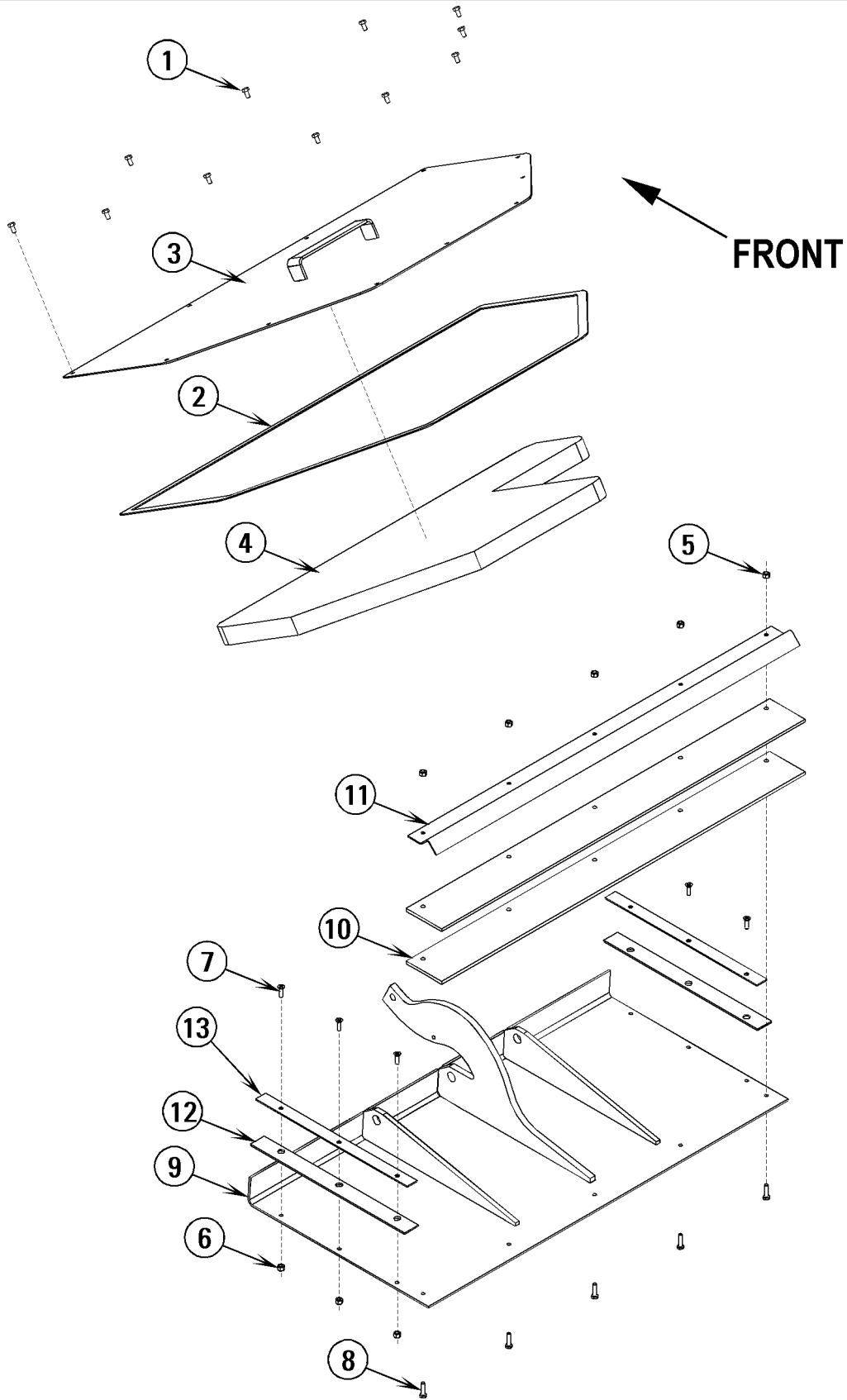


Item	Ref. No.	Qty	Description	Item	Ref. No.	Qty	Description
1	56001831	2	Scr, Hex Hd 1/2-13 x 1.25	41	56370878	2	Bearing, Sleeve
2	56001834	2	Scr, Hex Hd 5/16-18 x 1.25	42	56416253	2	Hinge Weldment
3	56419264	1	Boot, Hopper	43	56416308	2	Left Hinge Pin Weldment
4	56001879	2	Wsh, Flt SAE 1/2	44	56416498	2	Collar, Hopper Hinge
5	56001939	7	Wsh, Flt SAE 5/16	45	56416674	2	Filter Clamp Weldment
6	56001818	1	Scr, Pan Phil 8-32 x .38	46	56418625	1	Pin, Cylinder Short
7	56002037	2	Scr, Hex Hd 5/16-18 x .88	47	56442003	3	Clamp, P
8	56002063	4	Wsh, Flt SAE 3/8	48	56449221	2	Bumper, 1.43 Dia.
9	56002098	4	Wsh, Flt SAE 1/4	49	56462746	2	Latch Assembly
10	56002221	1	Scr, Hex Hd 5/16-18 x 1.00	50	2-00-03778	1	Hex Hd 1/8 NPT Plug
11	56002491	15	Nut, Hex Nyl Loc SS 1/4-20	51	56419265	1	Plate, Boot
12	56002701	5	Nut, Hex Nyl Loc 5/16-18	52	56486116	3	Grommet
13	56002721	2	Scr, Hex Hd 5/16-18 x 2.00	53	56003120	1	Pin, Cotter Hair .0915 x .375
14	56002865	1	Nut, Hex Nyl Loc-Thin 8-32	54	56304416	1	Bracket, Magnetic Switch
15	56002807	5	Scr, Hex Hd SS 1/4-20 x .75	55	56304526	1	Prop Rod Weldment
16	56002826	2	Nut, Hex Nyl Loc-Thin 5/16-18	56	56304548	1	Cable Assembly
17	56002843	2	Nut, Hex Nyl Loc-Thin 1/2-13	57	56304596	1	Dump Door Assembly
18	56002922	14	Scr, Hex Hd Loc 1/4-20 x .62	58	56304617	1	Gasket
19	56002929	1	Scr, Hex Hd Loc 5/16-18 x .62 Note 1	59	56304665	1	Skirt, Hopper
20	56002938	2	Wsh, Flt SAE SS 5/16	**	56305593	1	Skirt, Hopper Heavy (3/16" thick)
21	56002947	4	Scr, Hex Hd Loc 3/8-16 x 1.00	60	56304677	2	Hinge Plate
22	56003081	4	Scr, Soc Set Loc 3/8-16 x .38	61	56304683	2	Pin Hopper Hinge Weldment
23	56003086	10	Scr, Flt Phil SS 1/4-20 x .88	62	56304685	1	Bracket, Prop
24	56003258	2	Ring, Ret Ext	63	56304768	2	Lamp, 12V
25	56009002	3	Wsh, Flt .266 x .906 x .060		56304783	A/R	Bulb, Light (for 56304768)
26	56009012	5	Scr, Hex Thd Form 10-24 x .38	64	56304807	2	Strap, Hopper
27	56009016	2	Nut, Hex Jam 1/2-13	65	56304810	1	Seal, Horizontal Note 2
28	56009018	2	Scr, Hex Thd Form 1/4-20 x .75	66	56304815	1	Blade
29	56009019	1	Scr, Hex Thd Form 1/4-20 x .38	67	56304816	1	Strap
30	56009029	4	Scr, Pan Phil Thd Form 10-24 x .50	68	56304832	1	Cover, Hopper
31	56009033	5	Scr, Hex Thd Form 1/4-20 x .50	69	56304833	1	Cover, Hopper Bottom
32	56009086	1	Nut, Hex Jam 5/16-18	70	56304863	1	Prop Rod
33	56009122	1	Wsh, Flt .344 x .938 x .125	71	56304896	1	Bearing, Sleeve 1.125 x 1.375 x 1.00
34	56009139	8	Scr, Pan Phil Loc 10-24 x .38	72	56304897	1	Bearing, Sleeve 1.125 x 1.375 x .500
35	56244937	1	Bushing, Flange .328	73	56305183	1	Bracket, Lower Hopper Cover
36	56300241	2	Bushing .33 x .5 x 1.3	74	56305190	1	Access Panel Assembly
37	56320595	3	Bushing .32 x .50 x .28	75	56462746	2	Hook, Latch
38	56009095	1	Nut, Conduit Lock 1/2-14	76	56305196	1	Blade, Dust Shield
39	56442011	2	Clamp, P	77	56305465	1	Hopper Weldment
40	56360627	2	Bushing	78	56462361	1	Conn, 2 Way Female
				79	56100094	8	Washer, Balance-9.4 GR
				*	56172017	2	Clamp, Cable

* = Not Shown

** = Optional

Note 1: Hex head screw for right headlight.**Note 2:** Fold 180° around the top of strap.



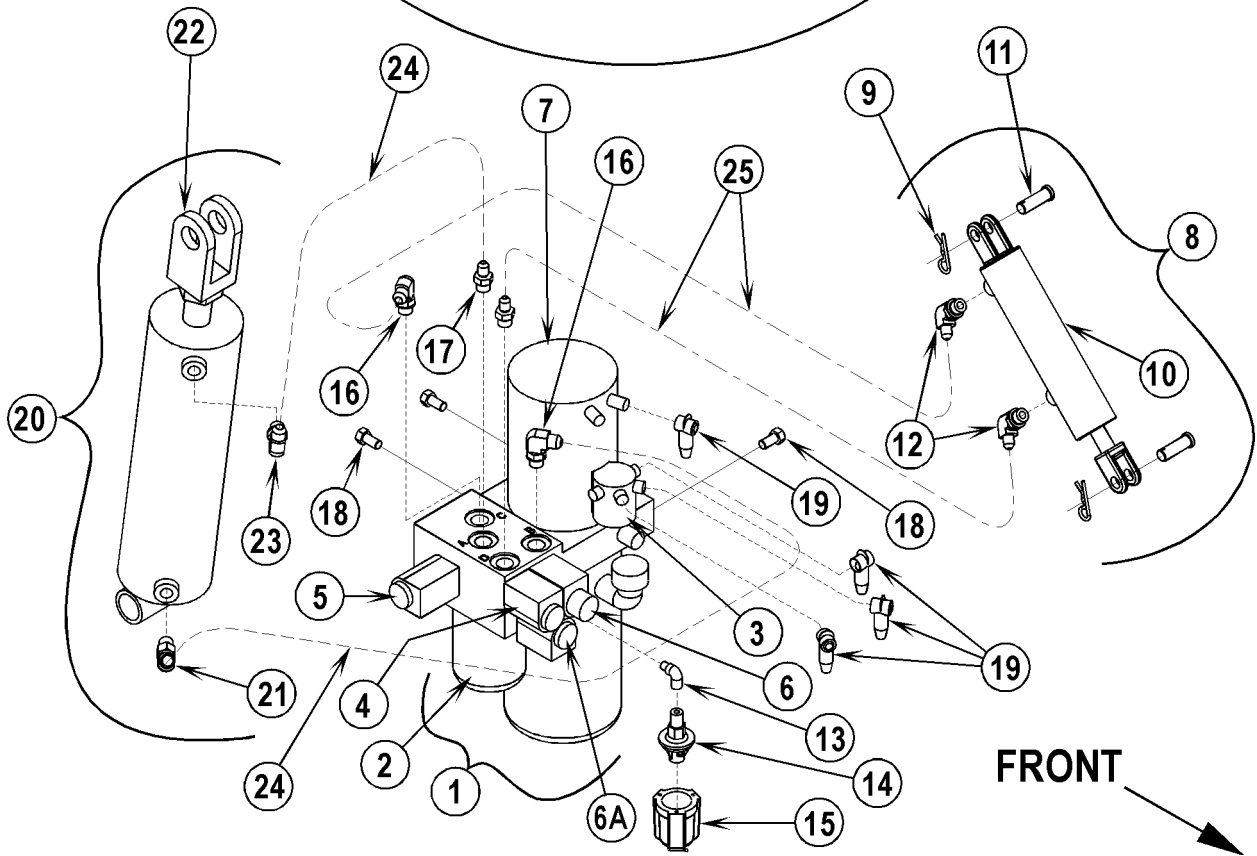
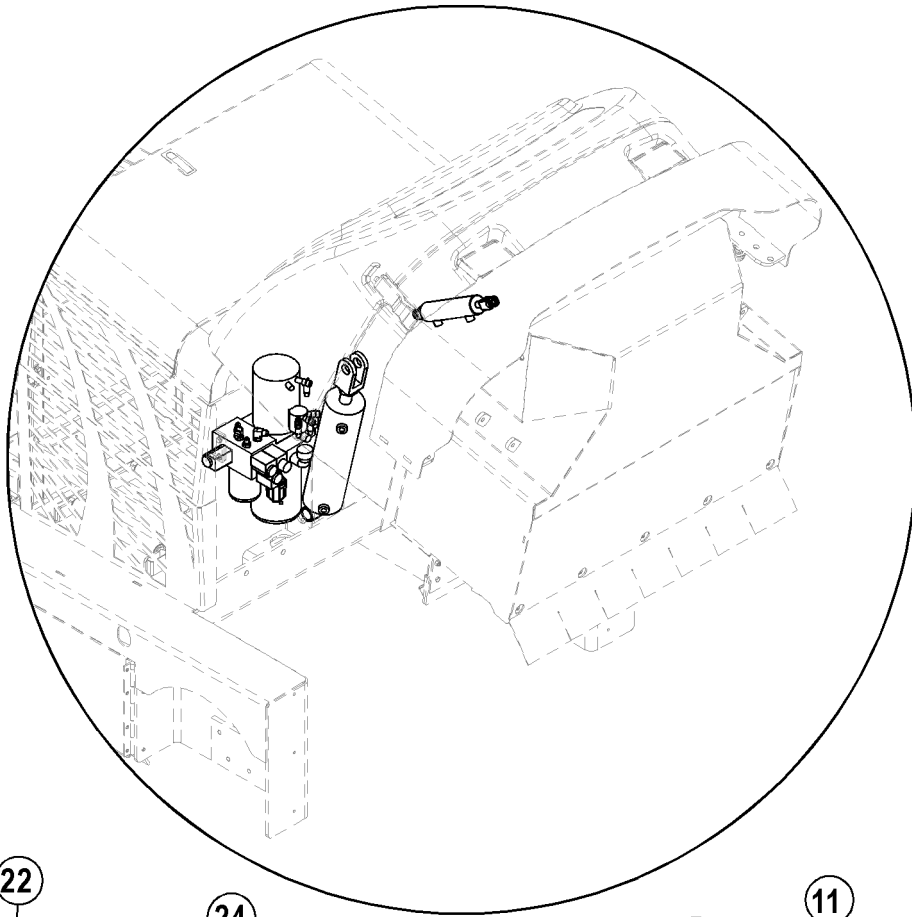
04-3

HOPPER SYSTEM SUB-ASSEMBLIES

05-7

Captor™ 4300B, 4800B**29**

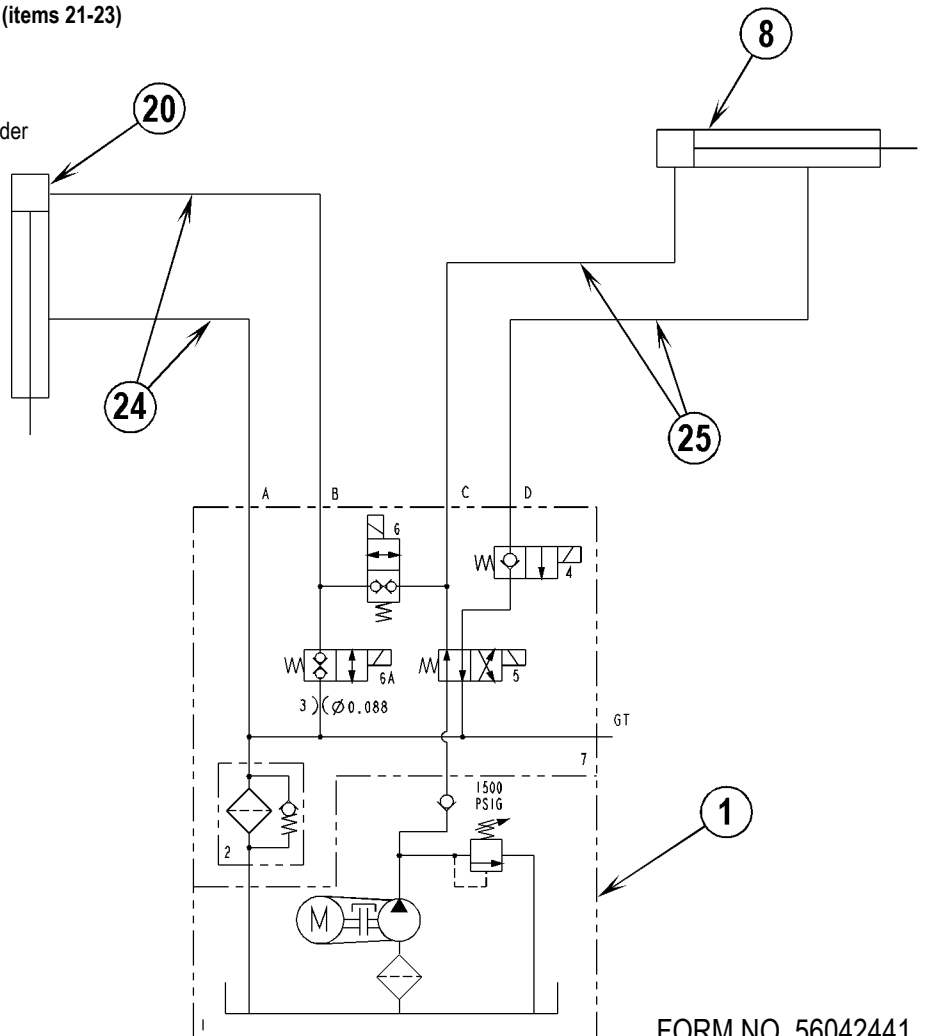
Item	Ref. No.	Qty	Description
	56305190	1	Access Panel Assy (items 1-4)
1	56009012	11	Scr, Hex Thd Form 10-24x.38
2	56200754	6.5	Gasket, Strip-Raw Stock (qty in feet)
3	56304401	1	Access Panel Weldt
4	56304729	1	Foam, Access Panel
	56304596	1	Dump Door Assy (items 5-13)
5	56002850	5	Nut, Hex Nyl Loc-Thin SS 1/4-20
6	56002491	6	Nut, Hex Nyl Loc SS 1/4-20
7	56003086	6	Scr, Flt Phil SS 1/4-20 x .88
8	56002883	5	Scr, Hex Hd SS 1/4-20 x 1.00
9	56304597	1	Dump Door Weld't
10	56304808	2	Blade, Hopper Door
11	56304809	1	Angle
12	56419440	2	Wiper, Dump Door
13	56419441	2	Strap



Item	Ref. No.	Qty	Description
1	56303040	1	Hydraulic Power Unit (includes replacement items 2-7) TSBUS2006-916
2	56303432	1	Replacement Hydraulic Filter Element
3	56303441	1	Contactar (K11)
*	56303433	1	Brush and Spring Kit (for replacement on 56303040)
4	56303435	1	Solenoid Valve Dump Door Open (L4)
5#	56305369	1	Solenoid Valve Dump Door Close (L5)
6	56303437	1	Solenoid Valve Hopper Raise (L6)
6A	56303437	1	Solenoid Valve Hopper Lower (L6A)
*	56303434	4	Coil, 36V DC (1 per each Solenoid Valve above)
7	56303440	1	Motor Assembly (M10)
*	56303561	1	Reservoir, Kit (for replacement on 56303040)
8	56416121	1	Hopper Door Cylinder Assy (items 9-12)
9	56003222	2	Pin, Cotter Hair
10	56416202	1	Cylinder, Hydraulic
11	56486733	2	Pin
12	56900110	2	Elbow, 90 O-Ring
13	56111309	1	Elbow, 90 Street
14	56418994	1	Switch, N.O. Pressure (S7)
15	56419241	1	Dust Boot
16	56900103	2	Elbow, 90 O-Ring
17	56900011	2	Connector, O-Ring
18	56003079	3	Scr, Hex Hd Loc 3/8-16 x .75
19	56409538	4	Insulator, Terminal
*	56463427	1	Sleeve, Nylon
20	56303274	1	Cylinder, Hopper Lift Assy (items 21-23)
21	56900153	1	Elbow, 45 O-Ring W/Nut
22	56303103	1	Cylinder, Hopper Lift
23	56900103	1	Elbow, 90 O-Ring
24	56303276	2	Hose Assy – Hopper Cylinder
25	56303277	2	Hose Assy – Hopper Door

* = Not Shown

= Revised or new since last update



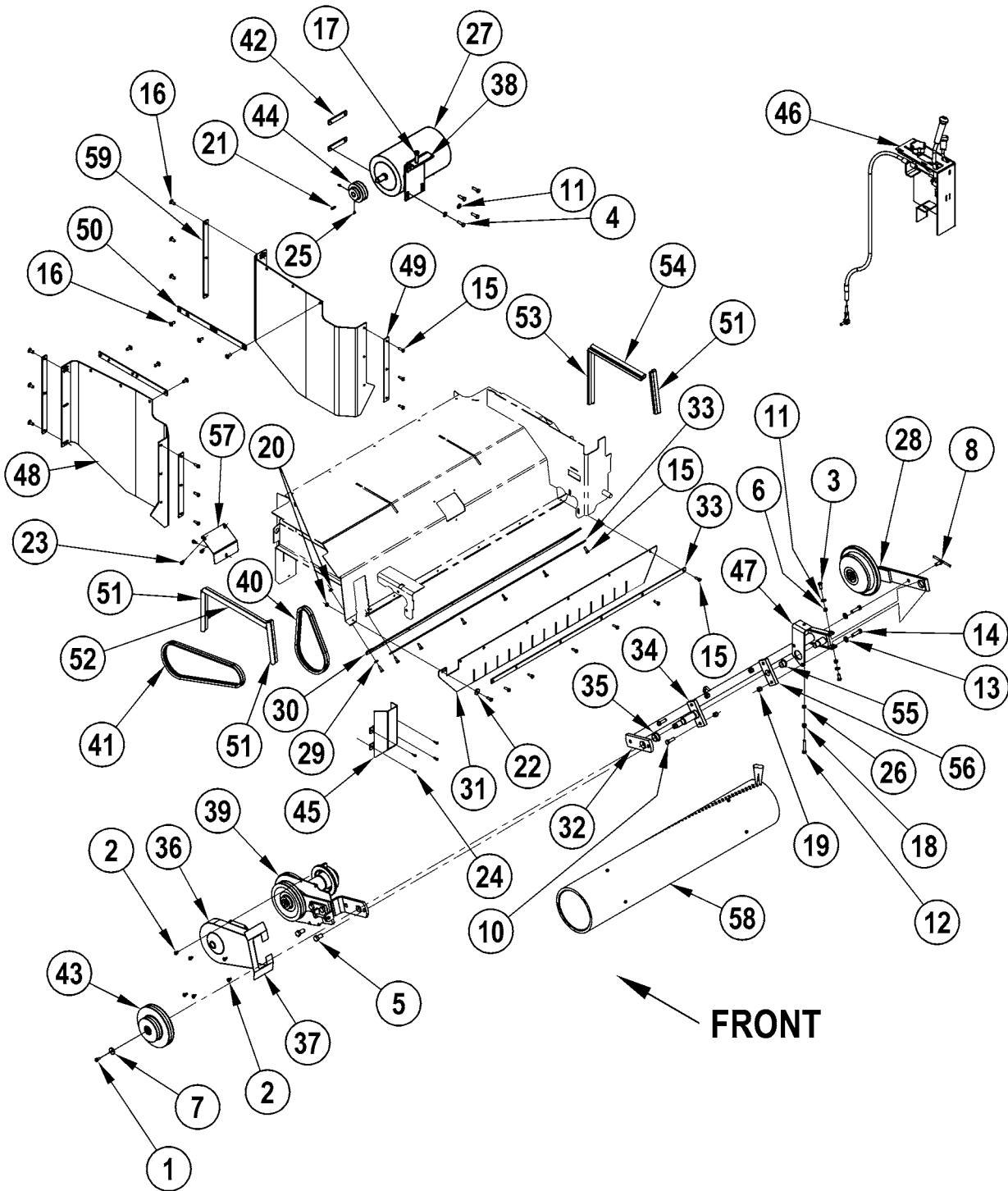
MAIN BROOM SYSTEM

04-3

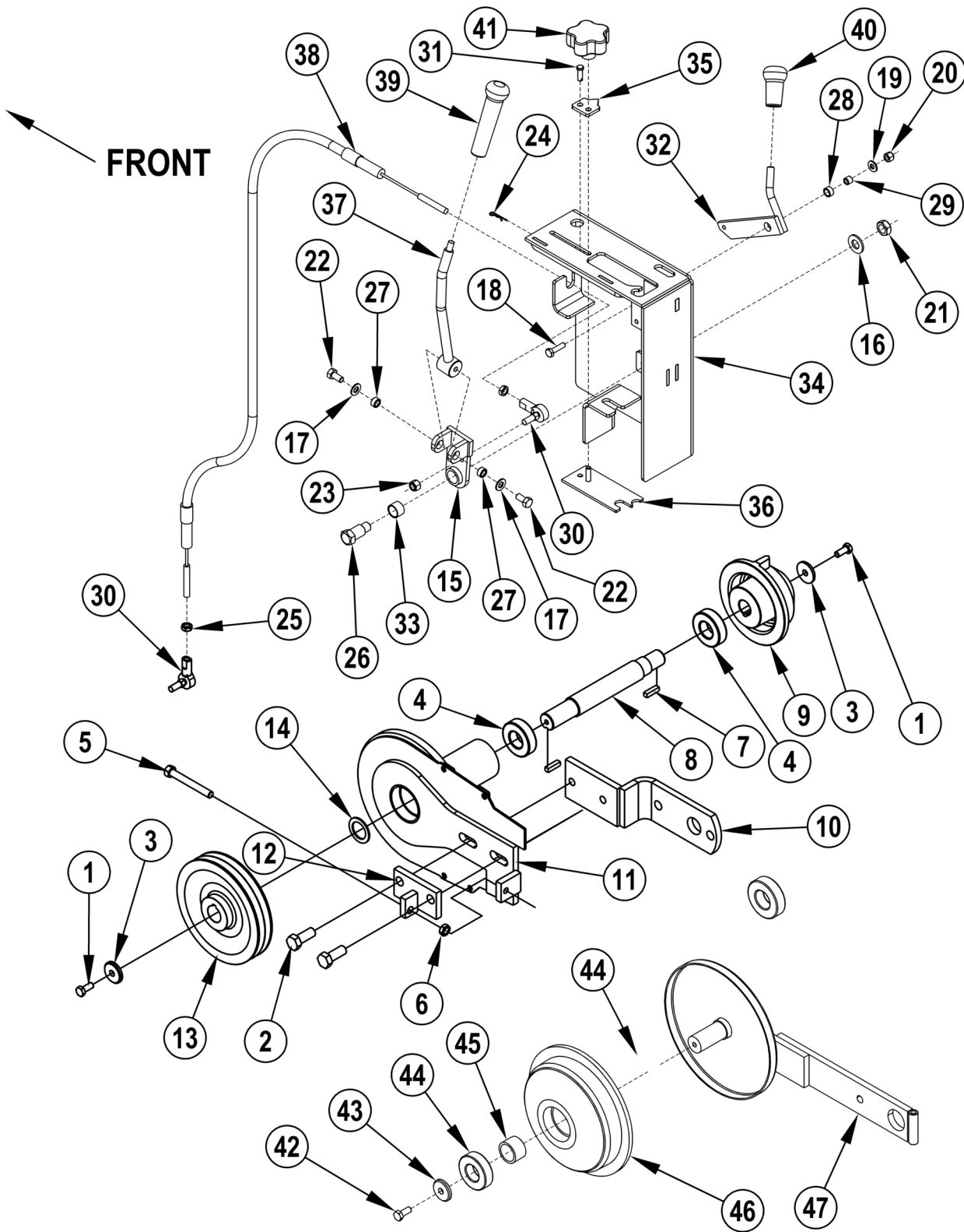
32

Captor™ 4300B, 4800B

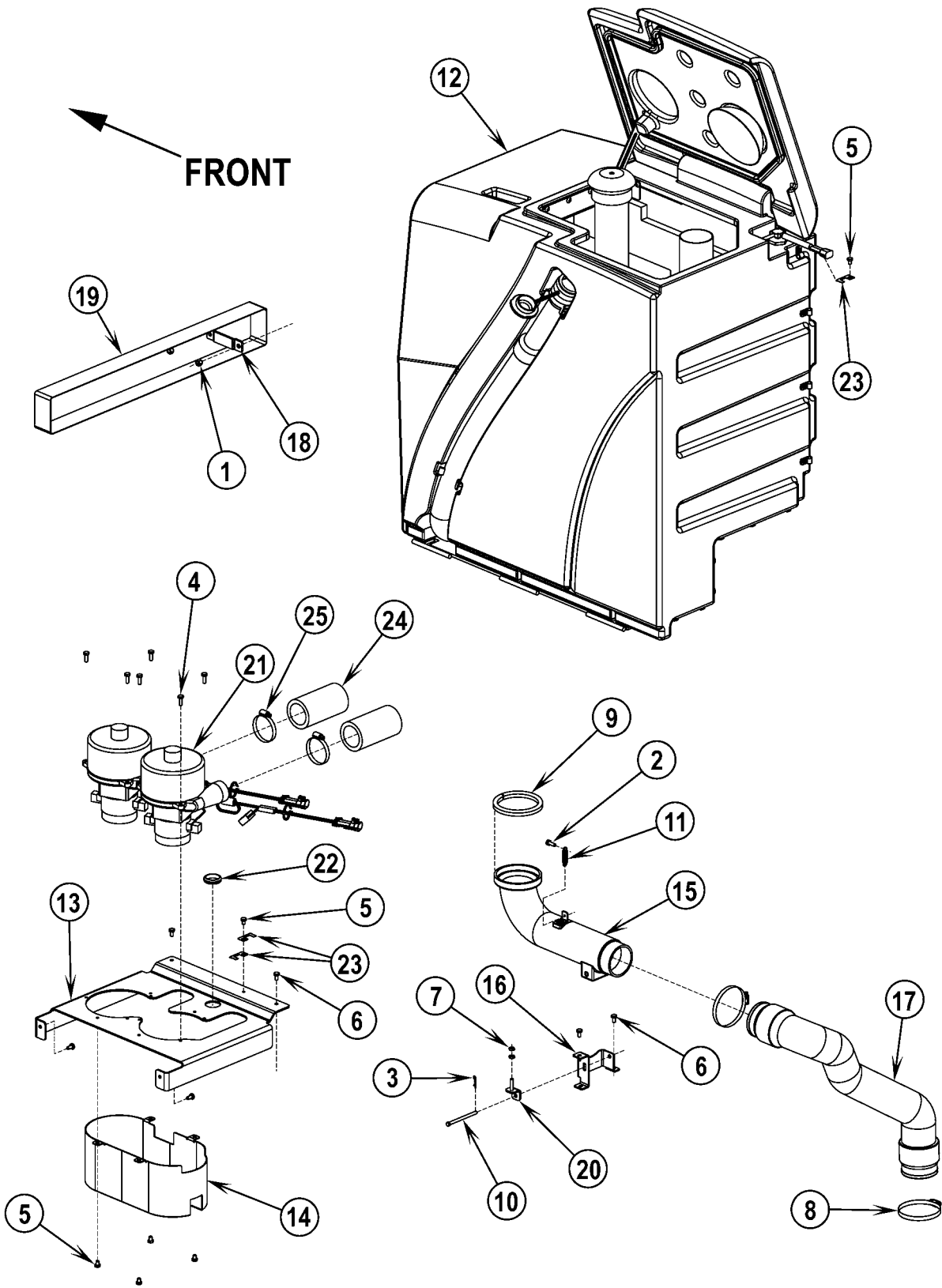
05-7



Item	Ref. No.	Qty	Description	Item	Ref. No.	Qty	Description
1	56002922	1	Scr, Hex Hd Loc 1/4-20 x .62	46	56304753	1	Lift Asm, Broom
2	56009019	6	Scr, Hex Thd Form 1/4-20 x .38	47	56304919	1	Broom Adjuster
3	56002956	2	Scr, Hex Hd Loc 5/16-18 x .75	48	56304924	2	Skirt, Broom Housing
4	56003073	4	Scr, Hex Hd Loc 5/16-18 x 1.00	49	56304925	2	Strap, Vertical
5	56003083	2	Scr, Hex Hd Loc 1/2-13 x 1.00	50	56305102	4	Strap (qty of 2 after SN 1789305)
6	56320595	2	Bushing .32 x .50 x .28	51	56305198	3	Gasket (7.25")
7	56388766	1	Washer, Balance-12.5 Gr.	52	56305199	1	Gasket (13.62")
8	56416382	1	Broom Arm Nut Weldt	53	56305200	1	Gasket (10.00")
10	56001858	2	Scr, Hex Hd 3/8-16 x 1.25	54	56305201	1	Gasket
11	56001939	4	Wsh, Flt SAE 5/16	55	56305255	1	Bearing, Flange
12	56002013	1	Scr, Hex Thd To Hd 5/16-18 x 2.00	56	56305276	1	Pillow Block
13	56002063	2	Wsh, Flt SAE 3/8	57	56305819	1	Cover, Access
14	56002095	2	Scr, Hex Hd 3/8-16 x 1.50	58	56505955	1	Main Broom, Proex-Wire
15	56002155	20	Scr, Hex Hd 1/4-20 x .75	**	56505951	1	Main Broom, Poly/Wire, 8 Double Rows
16	56002395	12	Scr, Flt Phil 5/16-18 x .75	**	56505952	1	Main Broom, Proex, 12 Double Rows
17	56002470	1	Scr, Hex Thd To Hd 3/8-16 x 2.00	**	56505953	1	Main Broom, Nylon, 8 Double Rows
18	56002701	1	Nut, Hex Nyl Loc 5/16-18	**	56505954	1	Main Broom, Proex, 8 Double Rows
19	56002769	4	Nut, Hex Nyl Loc 3/8-16	**	56505956	1	Main Broom, Prolene, 8 Double Rows
20	56002840	14	Nut, Hex Nyl Loc-Thin 1/4-20	59	56305960	2	Strap (after SN 1789305)
21	56003238	1	Key, Sq .19 x .78				
22	56009002	1	Wsh, Flt .266 x .906 x .060				* = Not Shown
23	56009033	3	Scr, Hex Thd Form 1/4-20 x .50				** = Optional
24	56009039	4	Scr, Hex Thd Form 10-24 x .50				
25	56009076	2	Scr, Soc Set Loc				
26	56009086	1	Nut, Hex Jam 5/16-18				
27	56303039	1	Motor, 2.0 HP				
*	56303419	4	Carbon Brushes				
*	56303444	4	Brush Spring				
28	56303128	1	Right Broom Arm Assy				
29	56002098	1	Wsh, Flt SAE 1/4				
30	56303148	1	Skirt, Rear				
31	56303149	1	Skirt, Rear				
32	56303273	1	Main Broom Hanger Weldt				
33	56303280	2	Strap, Rear				
34	56303366	1	Shaft Weldment				
35	56303367	1	Bearing, FL 1.125 X 1.000 X .500				
36	56303523	1	Belt Guard Weldt				
37	56303496	1	Shield				
38	56303506	1	Bracket, Motor Adjuster				
39	56303507	1	Drive Lug Assy				
40	56303519	1	Belt, V 3VX280 (Matched Set of 2)				
41	56303520	1	Belt, V 3VX400 (Matched Set of 2)				
42	56303522	2	Nut Plate				
43	56303528	1	Sheave Assy				
44	56303529	1	Sheave, 3v 2.75				
45	56303532	1	Guard. Belt Rear				



Item	Ref. No.	Qty	Description
	56303507	1	Drive Lug Assembly
1	56002956	2	Scr, Hex Hd Loc 5/16-18 x .75
2	56003022	2	Scr, Hex Hd Loc 1/2-13 x 1.25
3	56358959	2	Washer, Flat
4	56479430	2	Bearing, Ball
5	56002204	1	Scr, Hex Hd 3/8-16 x 3.00
6	56003015	1	Nut, Hex Jam SS 3/8-16
7	56003244	2	Key, Sq .25 X 0.94
8	56303045	1	Shaft, Broom Drive
9	56303087	1	Hub, Driver
10	56303480	1	Broom Arm Weldt
11	56303509	1	Broom Arm Weldt
12	56303524	1	Belt Tensioner Weldt
13	56303531	1	Sheave, 3v 5.95
14	56748926	1	Wsh, Flt .075 X 1.03 X 1.50
	56304753	1	Broom Adjuster
15	56305474	1	Lift Pivot Weldment
16	56001879	1	Wsh, Flt SAE 1/2
17	56001939	2	Wsh, Flt SAE 5/16
18	56002093	1	Scr, Hex Hd 1/4-20 x 1.00
19	56002098	1	Wsh, Flt SAE 1/4
20	56002708	1	Nut, Hex Nyl Loc 1/4-20
21	56002843	1	Nut, Hex Nyl Loc-Thin 1/2-13
22	56002929	2	Scr, Hex Hd Loc 5/16-18 x .62
23	56002950	1	Nut, Hex Nyl Loc 5/16-24
24	56003332	1	Pin, Cot Hair .042 x .188
25	56001884	2	Nut, Hex Jam 5/16-24
26	56171336	1	Bolt, Shoulder
27	56320595	2	Bushing .32 x .50 x .28
28	56368970	1	Bearing, Sleeve
29	56368989	1	Bushing
30	56477756	2	Rod End
31	56003663	1	Clevis Pin .25 x .75
32	56304345	1	Lever Weldment
33	56304586	1	Bearing .750 x .625 x .500
34	56304752	1	Weldment, Broom Lift
35	56304821	1	Plate, Indicator
36	56304822	1	Stop Plate Weldment
37	56304825	1	Lever Weldment
38	56305009	1	Cable, Broom Lift
39	56305010	1	Knob, Broom
40	56305011	1	Knob, Solution
41	56305030	1	Knob, Adjust
	56303128	1	Right Broom Arm Assembly
42	56002956	1	Scr, Hex Hd Loc 5/16-18 x .75
43	56358959	1	Washer, Flat
44	56479430	2	Bearing, Ball
45	56479434	1	Bushing
46	56493845	1	Hub-Idler
47	56303279	1	Right Broom Arm Weldment

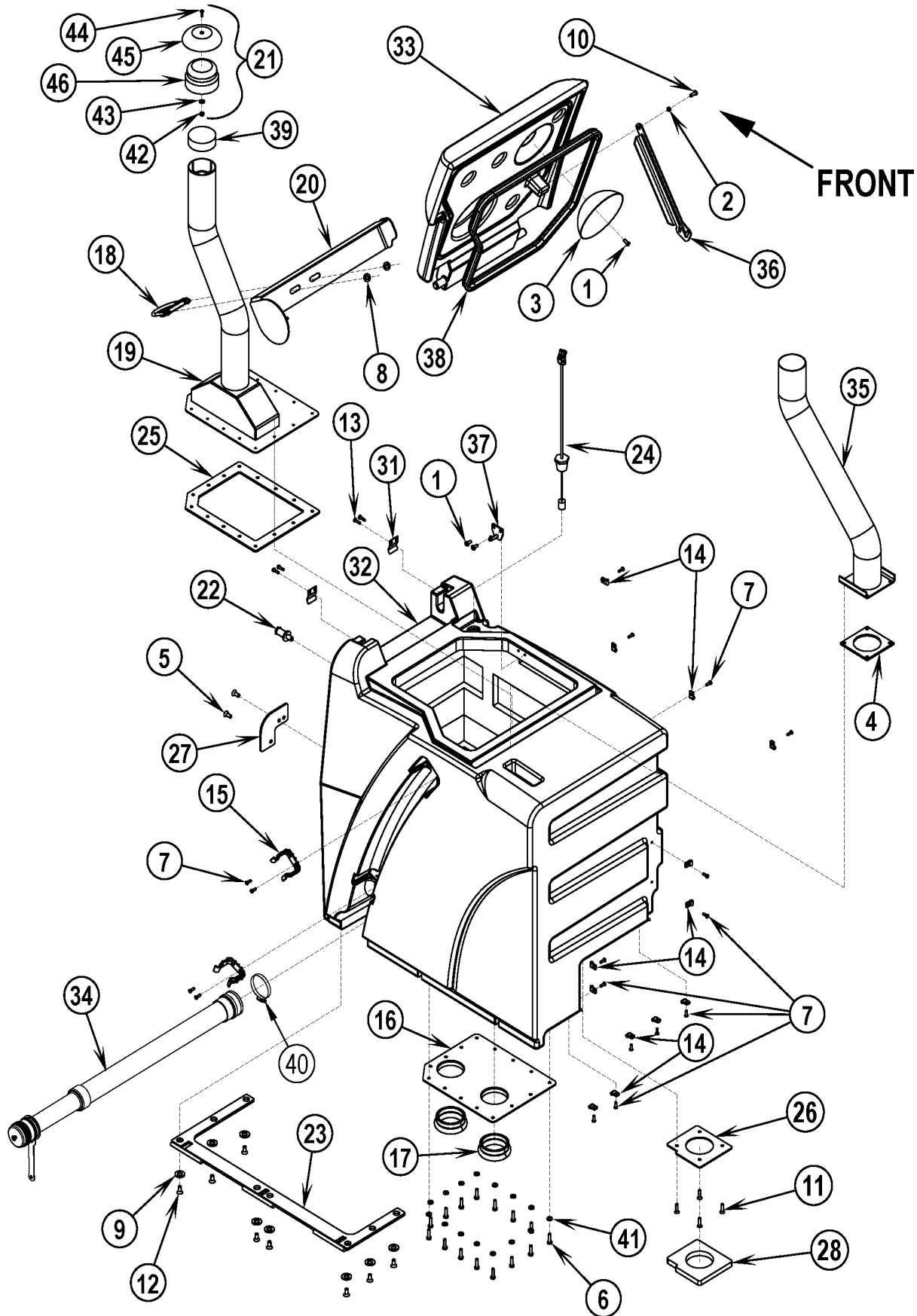


Item	Ref. No.	Qty	Description
1	56002701	2	Nut, Hex Nyl Loc 5/16-18
2	56002948	1	Scr, Hex Hd Loc 1/4-20 x .75
3	56003332	1	Pin, Cot Hair .042 x .188
4	56009018	6	Scr, Hex Thd Form 1/4-20 x .75
5	56009019	6	Scr, Hex Thd Form 1/4-20 x .38
6	56009033	6	Scr, Hex Thd Form 1/4-20 x .50
7	56009087	2	Nut, Hex Jam 1/4-20
8	56352829	2	Clamp, Hose SAE #52
9	56109570	1	Trim, Edge NOTE 1, TSBUS2006-920
10	56003669	1	Clevis, Pin .25 x 3.50
11	56112054	1	Spring, Extension .43 x .175
12	56303376	1	Recovery Tank Assembly (see Recovery Tank Assembly-4300B)
	56303172	1	Recovery Tank Assembly (see Recovery Tank Assembly-4800B)
13	56303181	1	Plate, Fan Mount
14	56303220	1	Motor Guard Weldment
15	56109531	1	Squeegee Tube NOTE 2
16	56304844	1	Mount, Pivot
17	56305377	1	Hose Assembly
18	56305488	1	Tie Down
19	56305491	1	Tether
20	56305721	1	Tab Adjust
21	56410065	2	Vac Motor Assembly
*	56212223	1	Carbon Brush Set
22	56056871	1	Grommet
23	56409769	3	Clip, Weatherpack Mount
24	56324358	2	Hose, Vac 2.00 x 5.00 x 975018
25	56440213	2	Clamp, Hose SAE #32

* = Not Shown

NOTE 1: PN56109570 (roto-molded) replaces PN56307220 (stainless steel) for machines built after May 2009. For machines built prior to SN1923312 see TSBUS2006-920.

NOTE 2: PN56109531 (roto-molded) replaces PN56304840 (stainless steel) for machines built after May 2009.



Item	Ref. No.	Qty	Description
	56303376	1	Recovery Tank Assembly (items 1-41)
1	56009120	3	Scr, Pan Phil SS Type B 1/4-14 x .62
2	56206784	1	Bushing
3	56454718	1	Deflector
4	56459136	1	Gasket
5	56002395	2	Scr, Flt Phil 5/16-18 x .75
6	56002883	15	Scr, Hex Hd SS 1/4-20 x 1.00
7	56002896	17	Scr, Pan Phil SS 10-24 x .62
8	56002910	2	Wsh, Flt SAE SS 3/8
9	56002918	8	Wsh, Flt SAE SS 1/2
10	56002957	1	Scr, Pan Phil SS 1/4-20 x .75
11	56003074	4	Scr, Flt Phil SS 1/4-20 x 1.00
12	56003689	8	Scr, Flt Phil SS 5/16-18 x .75
13	56009005	4	Scr, Pan Phil SS Type B 10-16 x .75
14	56220507	13	Clamp, P TSBUS2005-875
15	56212236	2	Clamp, Plastic
16	56303185	1	Seal Weldment
17	56303317	2	Gasket, Bulb
18	56303330	1	Clamp, Muffler 3.63 SS
19	56303377	1	Standtube Weldment
20	56303385	1	Brace, Recovery Tank (60)
21	56303392	1	Cap, Recovery Vac Tube Asm (items 42-46)
22	56304864	1	Pin, Slam Lock
23	56304871	1	Pivot Weldment
24	56305977	1	Switch, Liquid Level TSBUS2005-875
25	56305054	1	Gasket
26	56305060	1	Plate, Seal, Squeegee
27	56305202	1	Plate, Tether Cover
28	56307219	1	Gasket, Foam TSBUS2006-920
31	56305457	2	Clip, Lid
32	56305523	1	Tank, Recovery 60 Gal
33	56305548	1	Lid, Recovery Tank 60 Gal
34	56601407	1	Drain Hose TSBUS2008-985
*	56601411	1	Drain Hose Cap Kit TSBUS2008-985
**	56601410	1	Drain Hose Extension
35	56305632	1	Standpipe Weldment, Right
36	56305642	1	Support Arm
37	56305644	1	Prop Support Weldment
38	56305834	1	Gasket
39	56303451	1	Filter
40	56456797	1	Clamp, Hose SAE #36
41	56900737	15	Washer, Sealing 1/4
42	56002836	1	Nut, Hex Nyl Loc SS 10-24
43	56002919	1	Wsh, Flt STD SS #10
44	56003056	1	Scr, Flt Phil SS 10-24 x .62
45	56303383	1	Cap, Recovery Vac Tube
46	56303393	1	Screen, Fan Inlet Long

* = Not Shown

** = Optional, Not Included

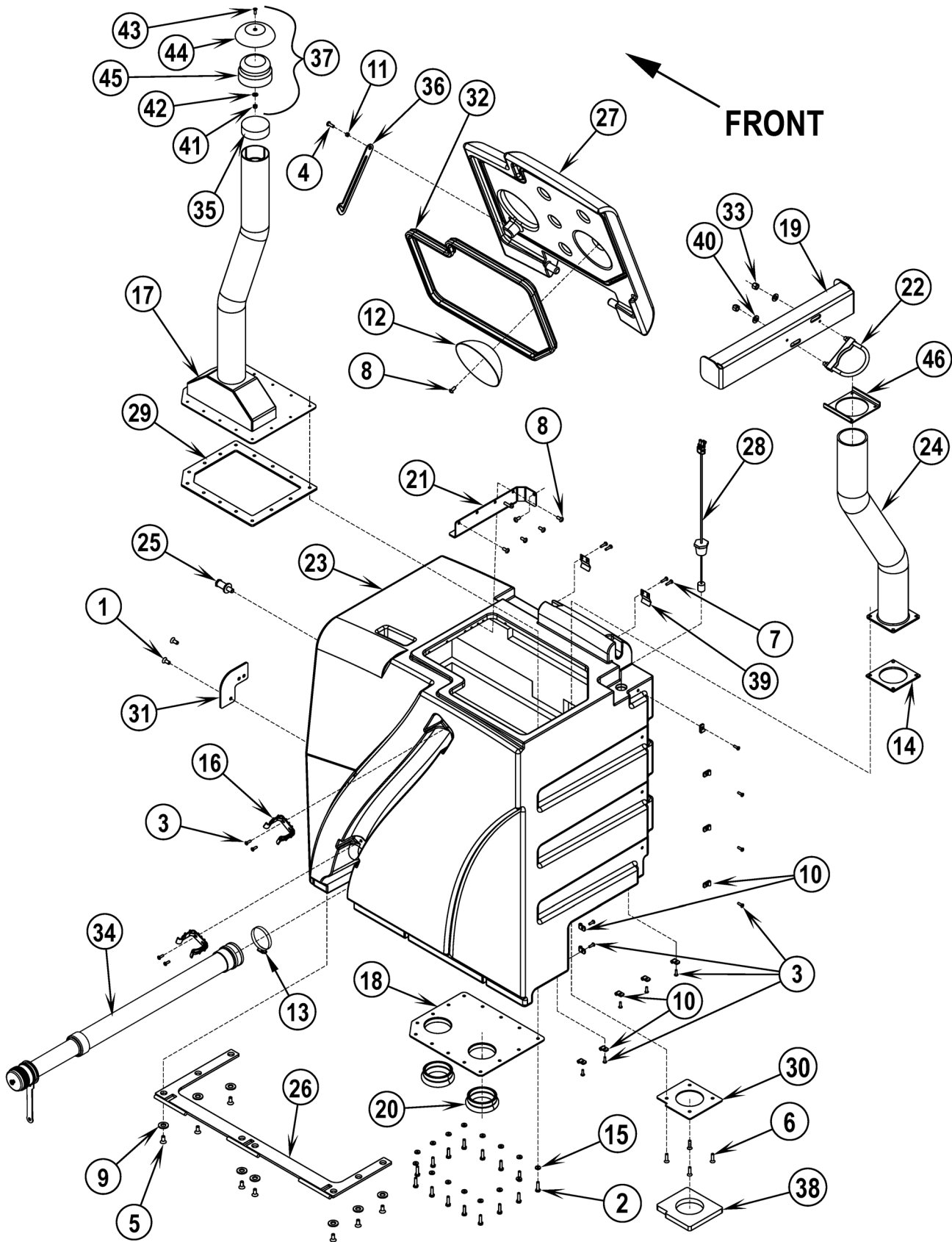
RECOVERY TANK ASSEMBLY-4800B

04-3

40

Captor™ 4300B, 4800B

09-5

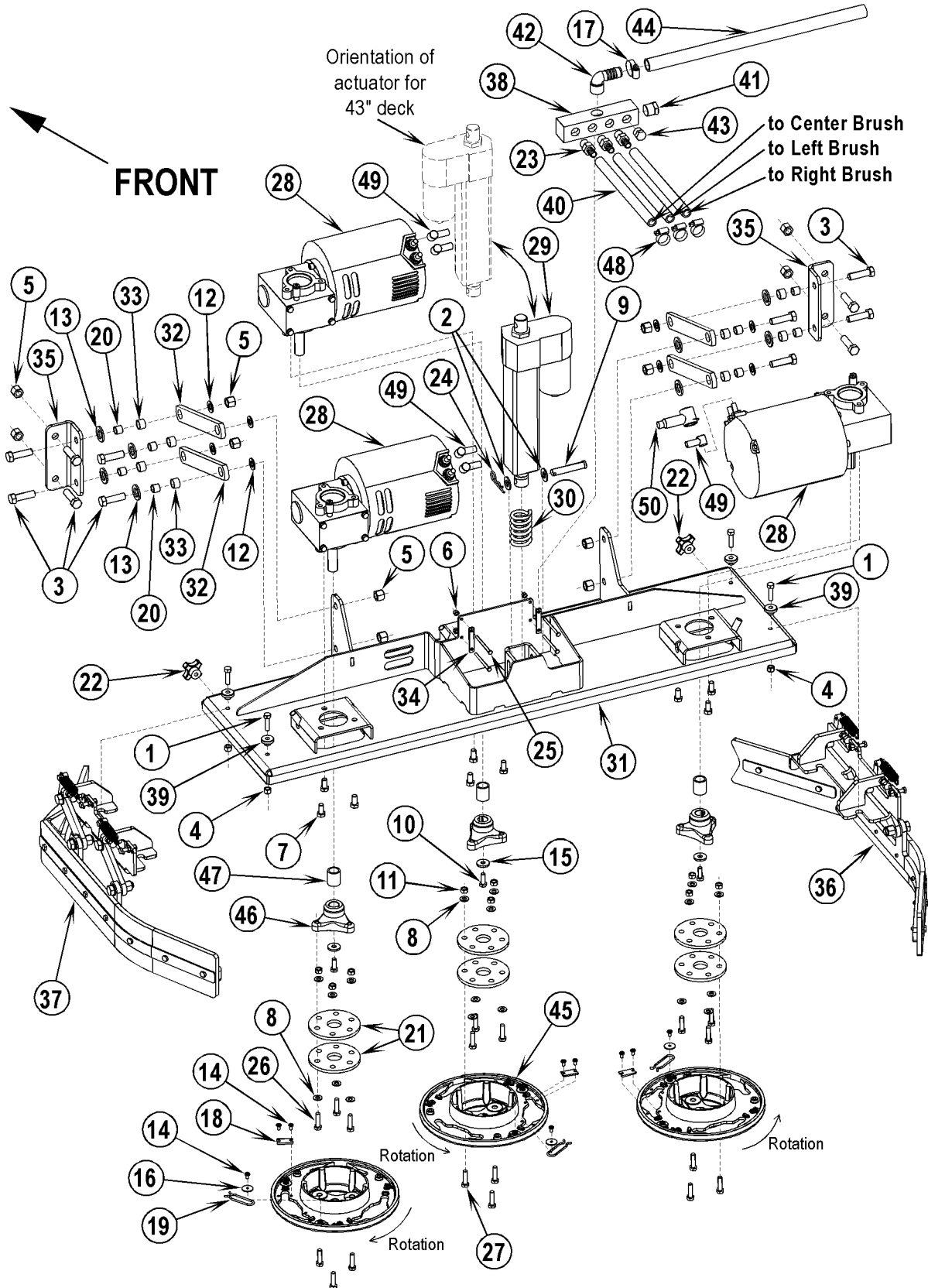


Item	Ref. No.	Qty	Description
	56303172	1	Recovery Tank Assembly (items 1-40)
1	56002395	2	Scr, Flt Phil 5/16-18 x .75
2	56002883	15	Scr, Hex Hd SS 1/4-20 x 1.00
3	56002896	15	Scr, Pan Phil SS 10-24 x .62
4	56002957	1	Scr, Pan Phil SS 1/4-20 x .75
5	56003689	8	Scr, Flt Phil SS 5/16-18 x .75
6	56003742	4	Scr, Flt Phil SS 1/4-20 x 1.25
7	56009005	4	Scr, Pan Phil SS Type B 10-16 x .75
8	56009120	6	Scr Pan Phil SS Type B 1/4-14 x .62
9	56002918	8	Wsh, Flt SAE SS 1/2
10	56220507	11	Clamp, P TSBUS2005-875
11	56206784	1	Bushing
12	56454718	1	Deflector
13	56456797	1	Clamp, Hose SAE #36
14	56459136	1	Gasket
15	56900737	15	Washer, Sealing 1/4
16	56212236	2	Clamp, Plastic
17	56303180	1	Standtube Weldment
18	56303185	1	Seal Weldment
19	56303235	1	Brace, Recovery Tank
20	56303317	2	Gasket, Bulb
21	56303328	1	Support Weldment
22	56109568	1	Clamp, Muffler 3.25 SS
23	56304483	1	Recovery Tank Assembly
24	56109530	1	Standpipe Right NOTE 1
25	56304864	1	Pin, Slam Lock
26	56304871	1	Pivot Weldment
27	56305005	1	Lid, Recovery Tank
28	56305977	1	Switch, Liquid Level TSBUS2005-875
29	56305054	1	Gasket
30	56305060	1	Plate, Seal, Squeegee
31	56305202	1	Plate, Tether Cover
32	56305203	1	Gasket
33	56003219	2	Nut, Hex Nyl Loc SS 3/8-16
34	56601406	1	Drain Hose TSBUS2008-985
*	56601411	1	Drain Hose Cap Kit TSBUS2008-985
**	56601410	1	Drain Hose Extension
35	56303451	1	Filter
36	56305236	1	Slide
37	56303392	1	Cap, Recovery Vac Tube (items 41-45)
38	56307219	1	Gasket, Foam TSBUS2006-920
39	56305457	2	Clip, Lid
40	56002910	2	Wsh, Flt SAE SS 3/8
41	56002836	1	Nut, Hex Nyl Loc SS 10-24
42	56002919	1	Wsh, Flt STD SS #10
43	56003056	1	Scr, Flt Phil SS 10-24 x .62
44	56303383	1	Cap, Recovery Vac Tube
45	56303393	1	Screen, Fan Inlet Long
46	56109532	1	Plate Standpipe
*	56478246	2	Tie, Cable

* = Not Shown

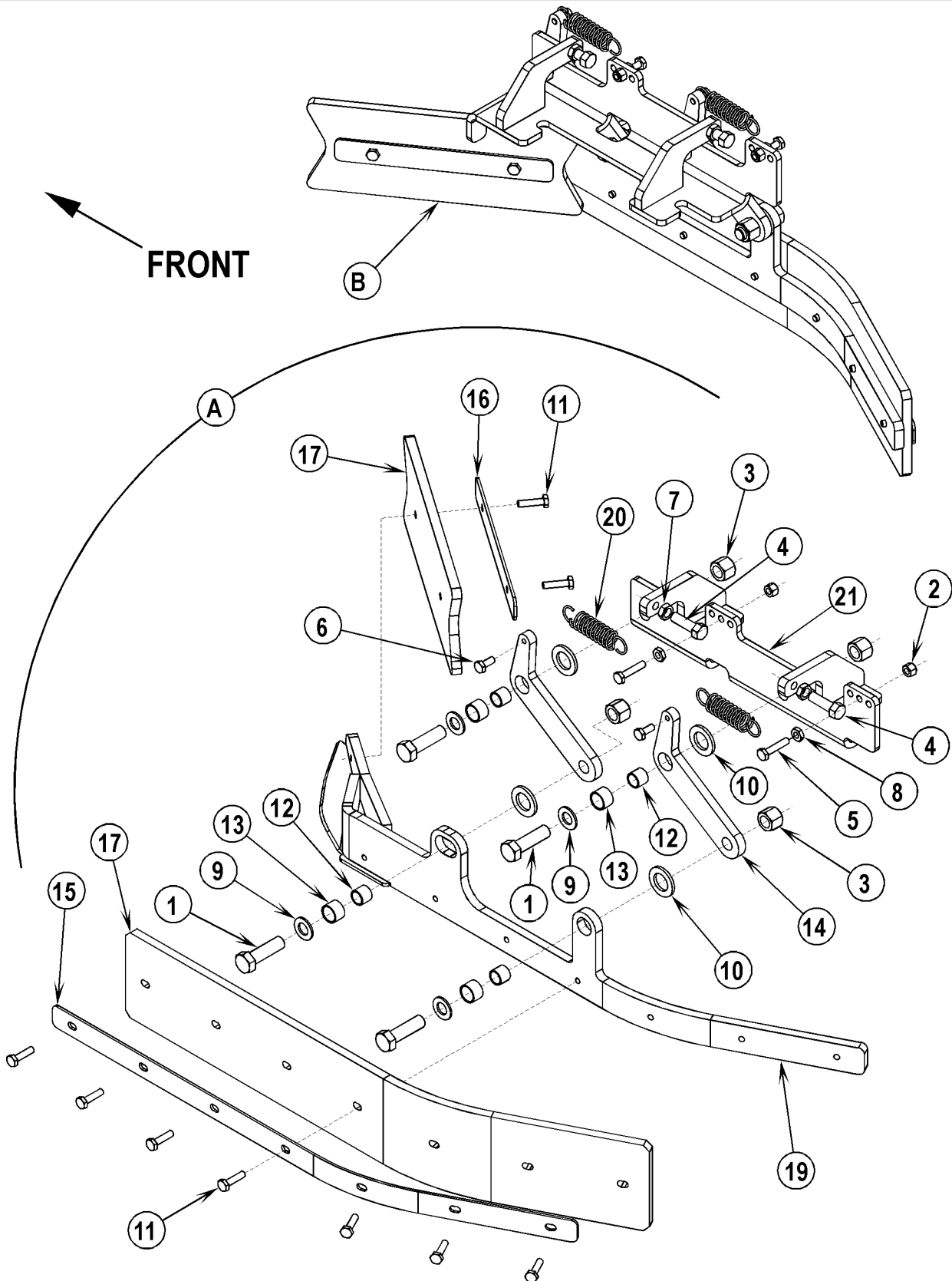
** = Optional, Not Included

NOTE 1 = If you need to replace an old stainless steel standpipe (56304653) please order Standpipe Kit 56109569.



Item	Ref. No.	Qty	Description
1	56001834	4	Scr, Hex Hd 5/16-18 x 1.25
2	56001879	2	Wsh, Flt SAE 1/2
3	56001995	12	Scr, Hex Hd 1/2-13 x 1.75
4	56002701	4	Nut, Hex Nyl Loc 5/16-18
5	56002770	12	Nut, Hex Nyl Loc 1/2-13
6	56002836	4	Nut, Hex Nyl Loc SS 10-24
7	56002885	9	Scr, Hex SS 3/8-16 x .75
8	56002938	18	Wsh, Flt SAE SS 5/16
9	56003207	1	Clevis Pin .50 x 2.75
10	56003372	3	Scr Hex Loc SS 5/16-18 x 1.25
11	56003405	9	Nut, Hex Nyl Loc SS M8 x 1.25
12	56009017	8	Wsh, Flt Harden .516 x .938 x.75
13	56009022	8	Wsh, Flt .754 x 1.250 x .120
14	56009030	9	Scr, Pan Phil Thd Form 10-24 x .38
15	56009057	3	Wsh, Flt Harden .344 x 1.000 x .120/.135
16	56009096	3	Wsh, Flt .193 x .875 x .060
17	56244969	1	Clamp, Hose SAE #12
18	56366455	3	Plate, Stop
19	56366463	3	Spring Retainer
20	56367206	8	Bushing
21	56407053	6	Thermoid Disk
22	56407303	2	Knob
23	56412184	3	Barb, Adapter 1/2 x 1/2 NPT
24	56003222	1	Pin, Cotter Hair .125 x .5
25	56003131	4	Scr, Hex Hd SS 10-24 x 2.50
26	56003278	9	Scr, Hex Loc SS M8-1 x 30mm
27	56003639	9	Scr, Hex Hd SS M8-1.25 x 30mm
28	56303083	3	Gearmotor Assembly
*	56303419	A/R	Replacement Carbon Brushes (4 per motor)
*	56303444	A/R	Replacement Spring (4 per motor)
29	56303095	1	Actuator, Motor 36V, Scrub Lift
30	56303106	1	Compression Spring
31	56303335	1	Deck Weldt 48 in. (CR 1200)
	56303428	1	Deck Weldt 43 in. (CR 1100)
32	56305467	4	Arm Parallel 7.5 in
33	56304586	8	Bearing .750 x .625 x .500
34	56304601	2	Plate
35	56304605	2	Mount Chassis Scrub Deck
36	56304988	1	Side Skirt Right Assy (see Scrub System Skirt-Assemblies)
37	56304998	1	Side Skirt Left Assy (see Scrub System Skirt-Assemblies)
38	56305090	1	Manifold, Solution
39	56305258	4	Mounting Lugs
40	56303395	3	Hose, Spiral .750 x 31" (4800B)
	56303423	3	Hose, Spiral .750 x 31" (4300B)
41	56305464	1	Plug, 3/4 Hex Pipe
42	56305545	1	Barb, 90 Elbow 3/4 x 3/4 NPT
43	56305547	1	Plug, 1/2 Hex Pipe
44	56303394	1	Hose, Spiral .750 x 25"
45	56314030	3	Brush Holder
46	56314108	3	Hub, Drive
47	56314109	3	Spacer
48	56112771	3	Clamp, Hose SAE #10
49	56492305	5	Boot, Rubber
50	56493357	1	Insulator, Terminal

* = Not Shown



04-3

SCRUB SYSTEM SKIRT-ASSEMBLIES

08-11

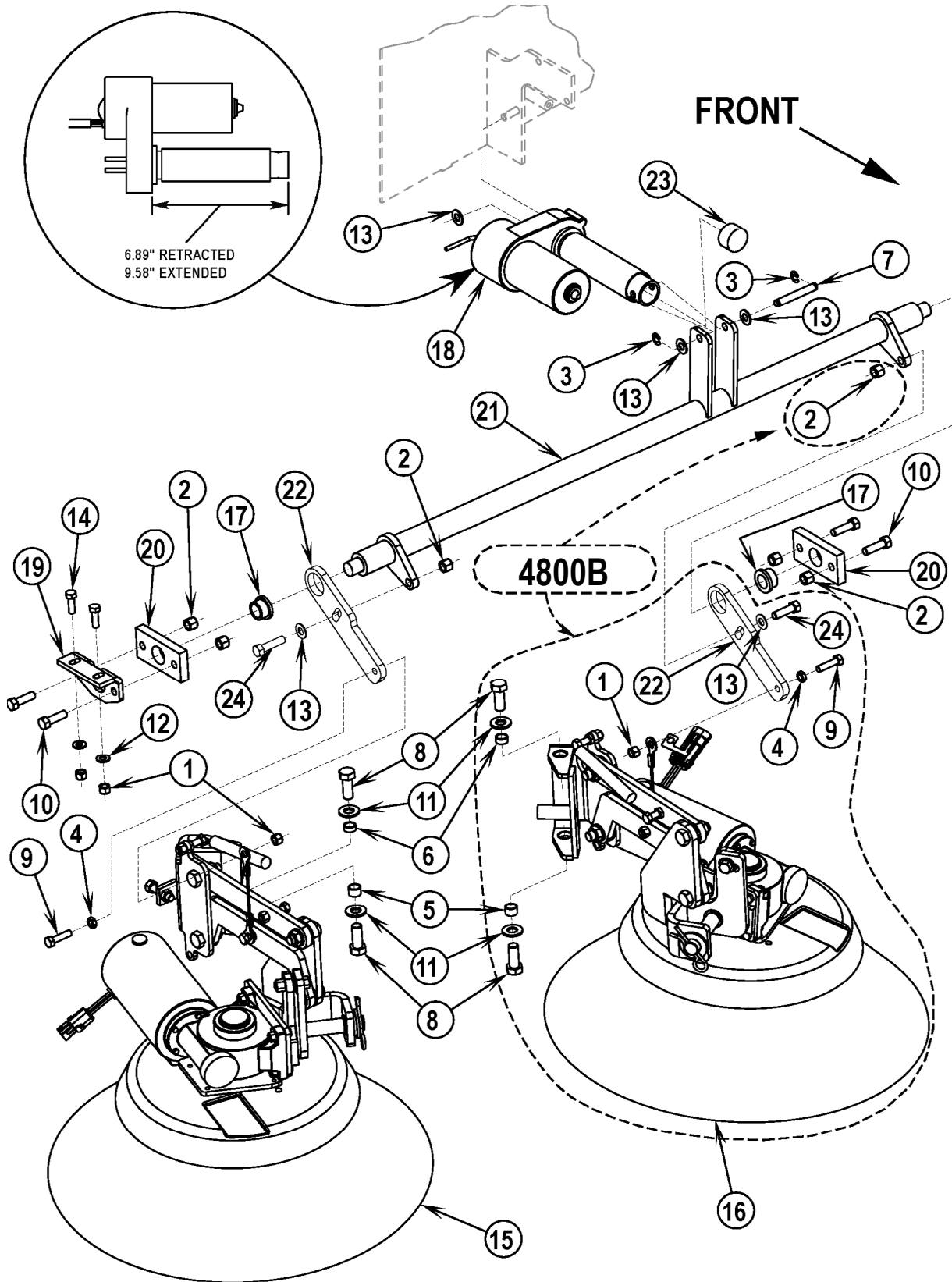
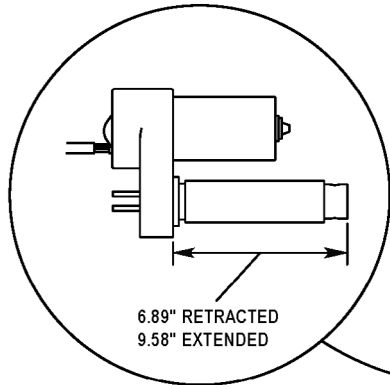
Captor™ 4300B, 4800B**45**

Item	Ref. No.	Qty	Description
A	56304998	1	Side Skirt Left Assy (items 1-21)
B	56304988	1	Side Skirt Right Assy (items 1-21)
1	56001995	4	Scr, Hex Hd 1/2-13 x 1.75
2	56002491	2	Nut, Hex Nyl Loc SS 1/4-20
3	56002770	4	Nut, Hex Nyl Loc 1/2-13
4	56002881	2	Scr, Hex Hd SS 3/8-16 x 1.25
5	56002897	2	Scr, Hex Hd SS 1/4-20 x 1.25
6	56002922	2	Scr, Hex Hd Loc 1/4-20 x .62
7	56003015	2	Nut, Hex Jam SS 3/8-16
8	56003145	2	Nut, Hex Jam SS 1/4-20
9	56009017	4	Wsh, Flt Harden .516 x .938 x .75
10	56009022	4	Wsh, Flt .754 x 1.250 x .120
11	56009054	9	Scr, Hex Type 23 1/4-20 x 1.00
12	56367206	4	Bushing
13	56304586	4	Bearing .750 x .625 x .500
14	56304993	2	Arm Parallel Side Skirts
15	56304994	1	Strap Long Side Skirts
16	56304995	1	Strap Short Side Skirts
17	56305697	1	Side Blade Kit (contains 2 long blades and 2 short blades)
19	56304999	1	Side Skirt Left Weldment (56304998 Assy)
*	56304989	1	Side Skirt Right Weldment (56304988 Assy)
20	56305253	2	Spring, Extension
21	56305879	1	Mount, Left Side Squeegee Weldt (56304998 Assy)
*	56305880	1	Mount, Right Side Squeegee Weldt (56304988 Assy)
**	56305685	1	Neoprene Side Blade Kit (contains 2 long blades and 2 short blades)

* = Not Shown

** = Optional

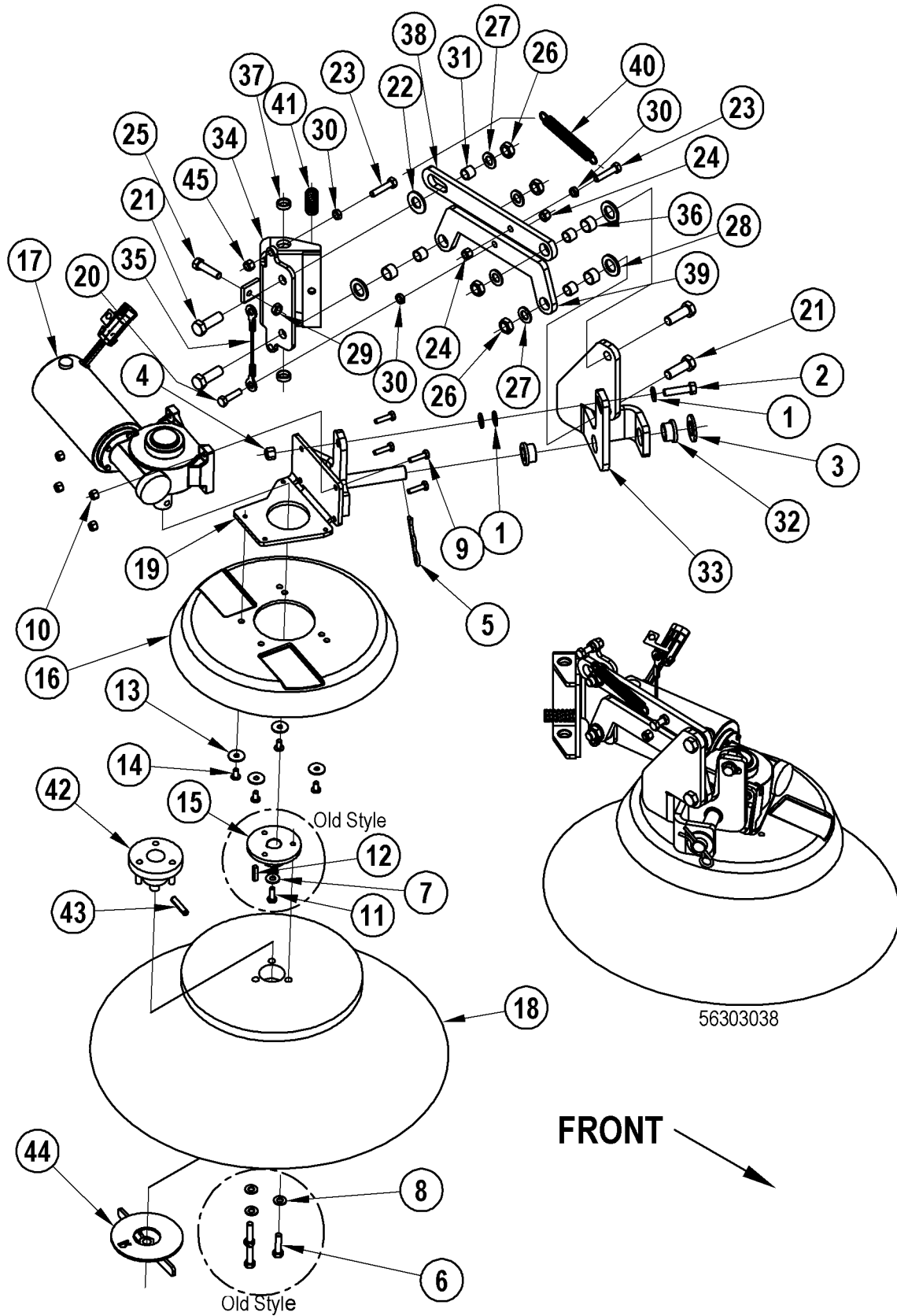
NOTE: All quantities are for ONE side skirt assembly only. There are two side skirt assemblies on the machine.



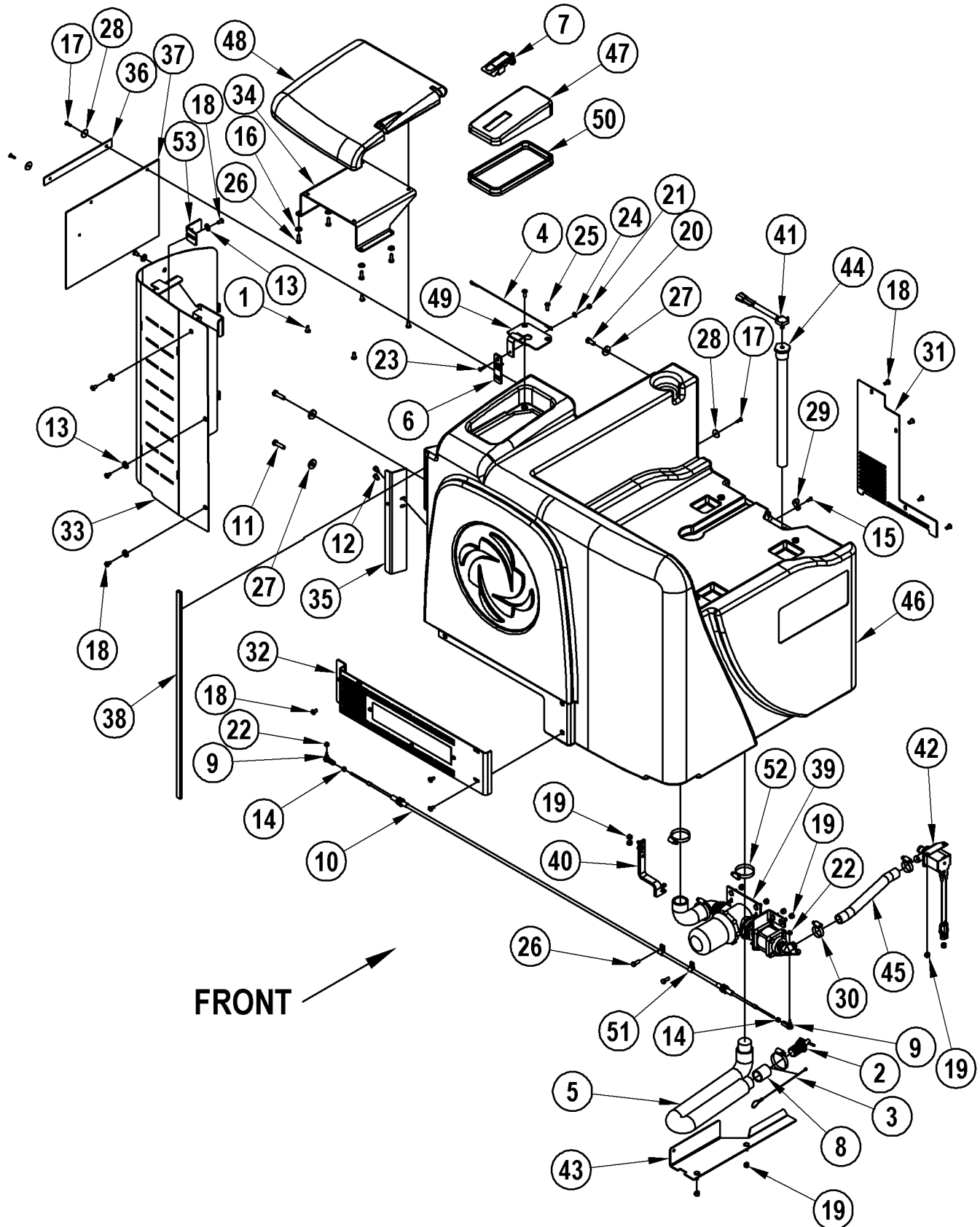
04-3	SIDE BROOM SYSTEM		
08-11	Captor™ 4300B, 4800B		47

Item	Ref. No.	Qty	Description
1	56002701	4	Nut, Hex Nyl Loc 5/16-18
2	56002769	6	Nut, Hex Nyl Loc 3/8-16
3	56003262	2	Ring, Ret Ext Type E 0.38 Dia.
4	56009086	2	Nut, Hex Jam 5/16-18
5	56360627	2	Bushing
6	56365030	2	Bushing .50 x .62 x .27
7	56412088	1	Pin
8	56001831	4	Scr, Hex Hd 1/2-13 x 1.25
9	56001834	2	Scr, Hex Hd 5/16-18 x 1.25
10	56001858	4	Scr, Hex Hd 3/8-16 x 1.25 (Qty of 6 before SN1767915)
11	56001879	4	Wsh, Flt SAE 1/2
12	56001939	2	Wsh, Flt SAE 5/16
13	56002063	5	Wsh, Flt SAE 3/8 (Qty of 3 before SN1767915)
14	56002221	2	Scr, Hex Hd 5/16-18 x 1.00
15	56303037	1	Right Side Broom Assy
16	56303038	1	Left Side Broom Assy (4800B only)
17	56303071	2	Bearing, Flange
18	56303119	1	Actuator, Motor
19	56305080	1	Bracket, Side Broom Lift
20	56305091	2	Pillow Block
21	56305442	1	Lifter Shaft Weldment
22	56305470	2	Arm, Side Broom Lift (Qty of 1 on 43" models) NOTE #1
23	56305798	1	Foam Seal
24	56002095	2	Scr, Hex Hd 3/8-16 x 1.50 (Used after SN1767914)

NOTE #1: The design of this part changed as of SN17679145. It is a direct replacement for the previous design except that it requires item 24 and item 13. It should be replaced in a matched pair on 48" models.



Item	Ref. No.	Qty	Description	Item	Ref. No.	Qty	Description
	56303037	1	Right Side Broom Assy (items 1-44)	42	56418543	1	Right Hub Assy NOTE 2
	56303038	1	Left Side Broom Assy (4800B only) (items 1-44)		56305723	1	Left Hub Assy NOTE 2
1	56002063	3	Wsh, Flt SAE 3/8	43	56003494	1	Pin, Spr .31 x 1.38 NOTE 2
2	56002095	1	Scr, Hex Hd 3/8-16 x 1.50	44	56305731	1	Right Thumb Nut Weldment NOTE 2
3	56002141	1	Wsh, Flt SAE 3/4		56305725	1	Left Thumb Nut Weldment NOTE 2
4	56002769	1	Nut, Hex Nyl Loc 3/8-16	45	56002826	1	Nut, Hex Nyl Loc-Thin 5/16-18
5	56003223	1	Pin, Cot Hair .148 x Dia .62/1.00				
	56303258	1	Side Broom/Gearmotor Assy-Right (items 6-19, 42-44)				* = Not Shown
	56303256	1	Side Broom/Gearmotor Assy-Left (items 6-19, 42-44)				NOTE 1: Used on machines built before May 2004.
6	56001834	3	Scr, Hex Hd 5/16-18 x 1.25 NOTE 1				NOTE 2: Used on machines built after April 2004.
7	56001906	1	Wsh, Flt Std 1/4 NOTE 1				
8	56001939	3	Wsh, Flt SAE 5/16 NOTE 1				
9	56002093	4	Scr, Hex Hd 1/4-20 x 1.00				
10	56002708	4	Nut, Hex Nyl Loc 1/4-20				
11	56002948	1	Scr, Hex Hd Loc 1/4-20 x .75 NOTE 1				
12	56003239	1	Key, Sq .19 x 1.00 NOTE 1				
13	56009002	4	Wsh, Flt .266 x .906 x .060				
14	56009069	4	Scr, Pan Phil Loc 1/4-20 x .50				
15	56416023	1	Hub NOTE 1				
16	56416538	1	Broom Guard				
17	56416578	1	Gearmotor Assy (right) NOTE 1				
	56410307	1	Gearmotor Assy (left) NOTE 1				
	56303442	1	Gearmotor Assy (right) NOTE 2				
	56303443	1	Gearmotor Assy (left) NOTE 2				
*	56416608	2	Replacement Carbon Brushes (for item 17, 2 required per motor)				
18	56462252	1	Broom, Side				
19	56303270	1	Right Side Broom Bracket Weldment				
	56303272	1	Left Side Broom Bracket Weldment				
	56303259	1	Side Broom Arm Assy-Right (items 20-42)				
	56303257	1	Side Broom Arm Assy-Left (items 20-42)				
20	56001834	1	Scr, Hex Hd 5/16-18 x 1.25				
21	56001968	4	Scr, Hex Hd 1/2-13 x 1.50				
22	56002022	1	Wsh, Flt SAE 5/8				
23	56002094	2	Scr, Hex Hd 5/16-18 x 1.50				
24	56002701	2	Nut, Hex Nyl Loc 5/16-18				
25	56002747	1	Scr, Hex Thd To Hd 3/8-16 x 1.50				
26	56002843	4	Nut, Hex Nyl Loc-Thin 1/2-13				
27	56009017	4	Wsh, Flt Harden .516 x .938 x .75				
28	56009022	3	Wsh, Flt .754 x 1.250 x .120				
29	56009085	1	Nut, Hex Jam 3/8-16				
30	56009086	3	Nut, Hex Jam 5/16-18				
31	56367206	4	Bushing				
32	56303071	2	Bearing, Flange				
33	56303269	1	Right Side Broom Bracket Weldment				
	56303271	1	Left Side Broom Bracket Weldment				
34	56304052	1	Side Broom Hinge Weldment				
35	56304126	1	Cable Assy				
36	56304586	3	Bearing .750 x .625 x .500				
37	56304893	2	Bearing, Sleeve .625 x .750 x .250				
38	56305460	1	Arm, Side Broom				
39	56305462	1	Arm, Side Broom, Lower				
40	56448112	1	Spring Ext.				
41	56761327	1	Spring, Comp				



04-3

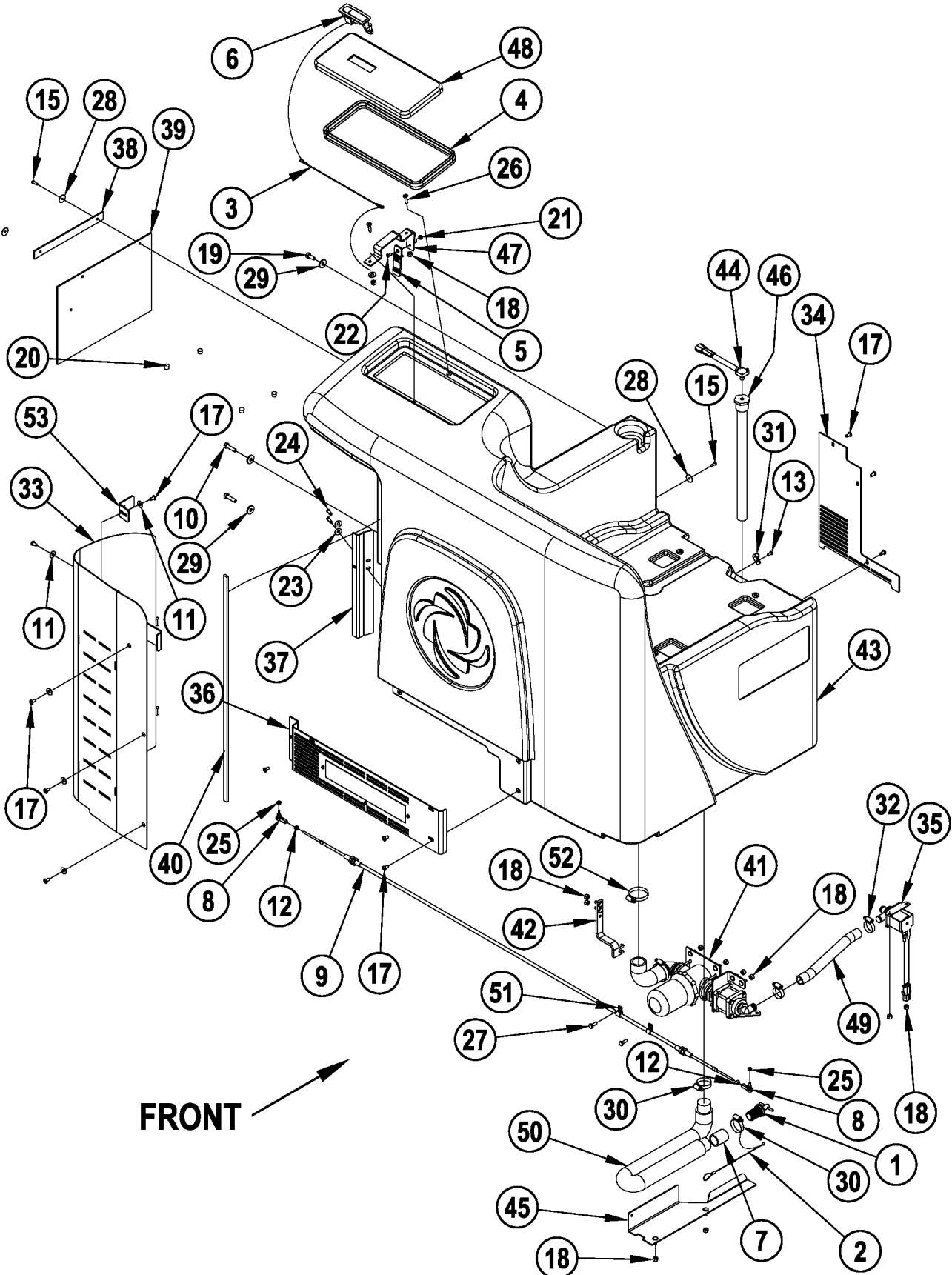
SOLUTION SYSTEM-4300B

10-9

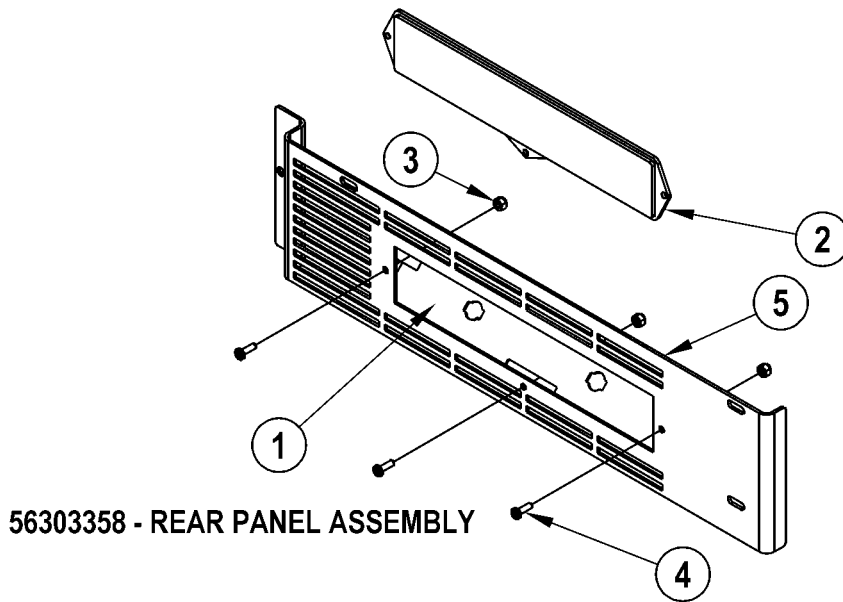
Captor™ 4300B, 4800B

51

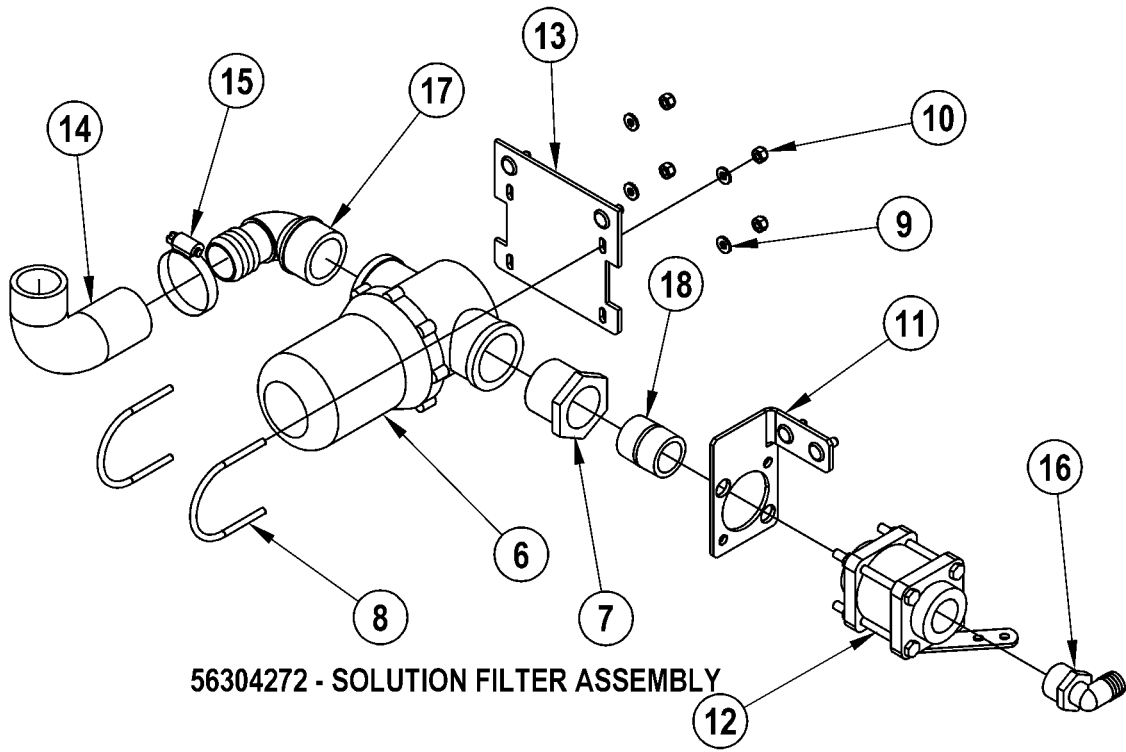
Item	Ref. No.	Qty	Description
1	56009120	4	Scr Pan Phil SS Type B 1/4-14 X .62
2	56260098	1	Plug, T-Handle
3	56261378	1	Cork Strap
4	56330391	1	Wire Rope, 12 Inch
5	56305602	1	Hose, Recovery Drain
6	56412309	1	Water Level Gauge
7	56418471	1	Door Latch
8	56459433	1	Sleeve, Hose End
9	56488290	2	Rod End
10	56488292	1	Cable
11	56001834	2	Scr, Hex Hd 5/16-18 x 1.25
12	56001854	2	Scr, Hex Hd 1/4-20 x .50
13	56001906	8	Wsh, Flt Std 1/4
14	56001987	2	Nut, Hex Machine 10-32
15	56001993	1	Scr, Pan Phil 10-24 x .50
16	56002098	4	Wsh, Flt SAE 1/4
17	56002124	3	Scr, Pan Phil 10-24 x .62
18	56002145	12	Scr, Pan Phil 1/4-20 x .50
19	56002491	10	Nut, Hex Nyl Loc SS 1/4-20
20	56002667	1	Scr, Hex Hd 5/16-18x.75
21	56002836	1	Nut, Hex Nyl Loc SS 10-24
22	56002873	2	Nut, Hex Nyl Loc 10-32
23	56002894	1	Scr, Pan Phil SS 10-24 x .75
24	56002916	1	Wsh, Flt SAE SS #10
25	56002969	2	Scr, Flt Phil SS 1/4-20 x .75
26	56009018	6	Scr, Hex Thd Form 1/4-20 X .75
27	56009057	3	Wsh, Flt Harden .344 x 1.000 x .120/.135
28	56009096	3	Wsh, Flt .193 X .875 X .060
29	56172017	1	Clamp, P
30	56244969	2	Clamp, Hose SAE #12
31	56303212	1	Cover, Sol Tank Front
32	56303358	1	Rear Panel Assembly
33	56303391	1	Door Weldment, Battery 60 Gal
34	56303424	1	Mount, Cover
35	56303425	1	Tab, Rear Door
36	56303446	1	Strap
37	56303447	1	Cover
38	56303466	1	Gasket
39	56304272	1	Solution Filter Assy
40	56304681	1	Bracket, Cable
41	56305032	1	Switch, Pressure
42	56303275	1	Solenoid Valve Assy
43	56305195	1	Bracket, Sol. Drain
44	56305205	1	Tube Assy
45	56392833	1	Hose, Spiral .750 X 10.50
46	56305514	1	Tank, Solution 60 Gal
47	56305522	1	Cover, Solution Tank 60 Gal
48	56305666	1	Corner Cover
49	56305802	1	Plate, Fill Valve
50	56305812	1	Trim Seal
51	56323260	2	Clamp, Hose Support
52	56329145	3	Clamp, Hose SAE #24
53	56303396	1	Tab, Retainer



Item	Ref. No.	Qty	Description
1	56260098	1	Plug, T-Handle
2	56261378	1	Cork Strap
3	56330391	1	Wire Rope, 12 Inch
4	56407282	1	Gasket
5	56412309	1	Water Level Gauge
6	56418471	1	Door Latch
7	56459433	1	Sleeve, Hose End
8	56488290	2	Rod End
9	56488292	1	Cable
10	56001834	2	Scr, Hex Hd 5/16-18 x 1.25
11	56001906	8	Wsh, Flt Std 1/4
12	56001987	2	Nut, Hex Machine 10-32
13	56001993	1	Scr, Pan Phil 10-24 x .50
15	56002124	3	Scr, Pan Phil 10-24 x .62
17	56002145	11	Scr, Pan Phil 1/4-20 x .50
18	56002491	12	Nut, Hex Nyl Loc SS 1/4-20
19	56002667	1	Scr, Hex Hd 5/16-18 x .75
20	2-00-05283	4	Plug, Button
21	56002849	1	Nut, Hex Nyl Loc-Thin SS 10-24
22	56002900	1	Scr, Pan Phil SS 10-24 x .50
23	56002914	3	Wsh, Flt Std SS 1/4
24	56003047	2	Scr, Hex Hd SS 1/4-20 x .62
25	56003053	2	Nut, Hex Nyl Loc-Thin 10-32
26	56003074	2	Scr, Flt Phil SS 1/4-20 x 1.00
27	56009018	2	Scr, Hex Thd Form 1/4-20 x .75
28	56009096	3	Wsh, Flt .193 X .875 X .060
29	56009122	3	Wsh, Flt .344 X .938 X .125
30	56131601	2	Clamp, Hose SAE #16
31	56172017	1	Clamp, P
32	56244969	2	Clamp, Hose SAE #12
33	56303203	1	Cover, Rear Weldt
34	56303212	1	Cover, Sol Tank Front
35	56303275	1	Solenoid Valve Assy
36	56303358	1	Rear Panel Assembly
37	56303359	1	Tab, Door Weldmt
38	56303446	1	Strap
39	56303447	1	Cover
40	56303464	1	Gasket
41	56304272	1	Solution Filter Assy
42	56304681	1	Bracket, Cable
43	56304834	1	Tank, Solution (75 Gal.)
44	56305032	1	Switch, Pressure
45	56305195	1	Bracket, Sol. Drain
46	56305205	1	Tube Assy
47	56305206	1	Plate, Latch
48	56305209	1	Cover, Solution Tank
49	56392833	1	Hose, Spiral
50	56305602	1	Hose, Flex Drain
51	56323260	2	Clamp, Hose Support
52	56329145	1	Clamp, Hose SAE #24
53	56303396	1	Tab, Retainer



FRONT 



04-3

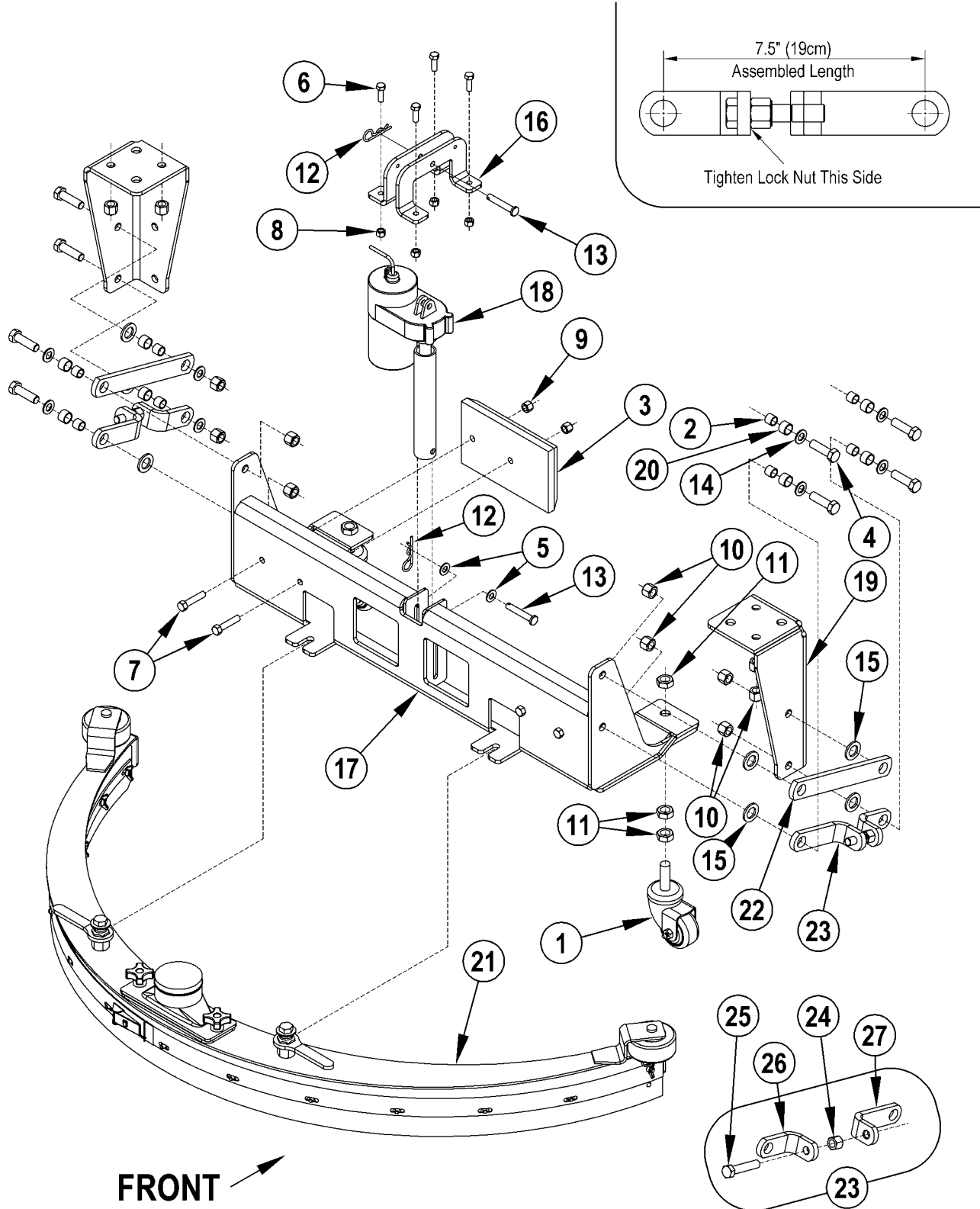
SOLUTION SYSTEM SUB-ASSEMBLIES

04-6

Captor™ 4300B, 4800B**55**

Item	Ref. No.	Qty	Description
	56303358	1	Rear Panel Assy (1-5)
1	56016097	1	Decal, Reflective
2	56416418	1	Lens, Tail Light
3	56002768	3	Nut, Hex Nyl Loc 10-24
4	56009100	3	Scr, Pan Phil Thd Form-Blk 10-24 x .62
5	56303357	1	Door Wldmt, Rear
	56304272	1	Solution Filter Assy (6-18)
6	56456241	1	Strainer, In-Line
*	56455838	1	Nylon Strainer Bowl
7	56459825	1	Bushing, Reducer
8	56459830	2	U-Bolt
9	56001954	4	Wsh, Flt SAE #10
10	56002768	4	Nut, Hex Nyl Loc 10-24
11	56304260	1	Bracket
12	56304275	1	Valve Assy
13	56305114	1	Bracket, Filter
14	56305319	1	Hose, Radiator
15	56329145	1	Clamp, Hose SAE #24
16	56456802	1	Barb, 90 Elbow 11/16 X 3/4NPT
17	56900913	1	Barb, Elbow Male
18	56900914	1	Nipple, Close PVC

* = Not Shown



04-3

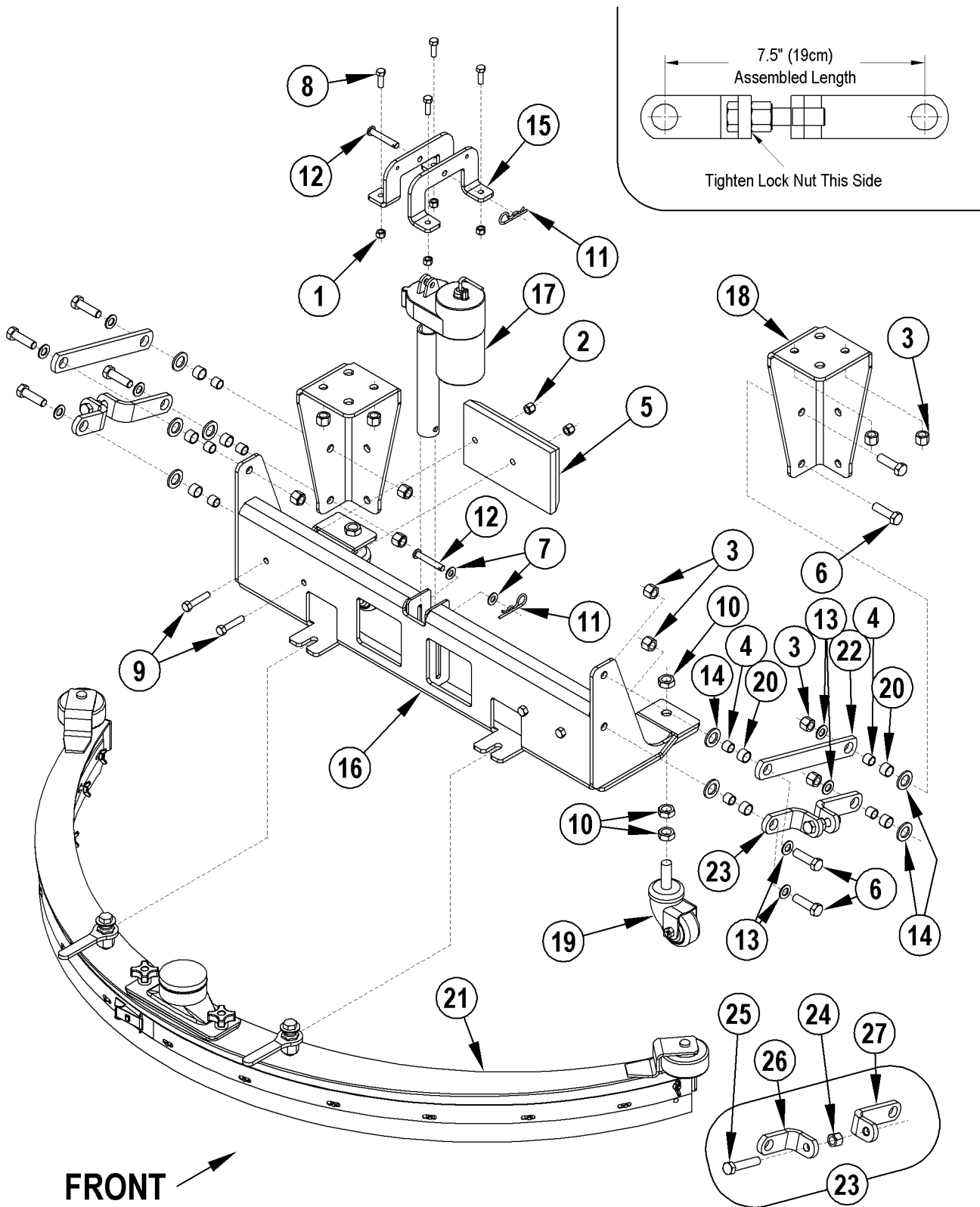
SQUEEGEE SYSTEM-4300B

08-11

Captor™ 4300B, 4800B

57

Item	Ref. No.	Qty	Description
1	56304266	2	Wheel, Caster
2	56367206	8	Bushing
3	56453907	2	Weight Casting
4	56001995	8	Scr, Hex Hd 1/2-13 x 1.75
5	56002063	2	Wsh, Flt SAE 3/8
6	56002221	4	Scr, Hex Hd 5/16-18 x 1.00
7	56002684	4	Scr, Hex Hd 3/8-16 x 1.75
8	56002701	4	Nut, Hex Nyl Loc 5/16-18
9	56002769	4	Nut, Hex Nyl Loc 3/8-16
10	56002770	12	Nut, Hex Nyl Loc 1/2-13
11	56003272	6	Nut, Hex Jam SS 5/8-11
12	56003222	2	Pin, Cotter Hair .125 x .5
13	56003656	2	Clevis Pin .375 x 2.25
14	56009017	8	Wsh, Flt Harden .516 x .938 x .75
15	56009022	8	Wsh, Flt .754 x 1.250 x .120
16	56303117	2	Mount, Squeegee Actuator
17	56303174	1	Squeegee Mount Weld.
18	56303360	1	Actuator 36V, Squeegee Lift
19	56304157	2	Bracket Deck Tower Mount
20	56304586	8	Bearing .750 x .625 x .500
21	56303459	1	Squeegee Assy. (see Squeegee Assembly)
22	56305467	2	Arm Parallel 7.5in
23	56305610	2	Arm, Adjustable Asm (items 24-27)
24	56002773	1	Nut, Hex Nyl Loc 1/2-20
25	56003672	1	Scr, Hex Thd to Hd 1/2-20 x 2.50 Grd 8
26	56305608	1	Arm, Adjustable
27	56305609	1	Arm, Adjustable Threaded



04-3

SQUEEGEE SYSTEM-4800B

08-11

Captor™ 4300B, 4800B

59

Item	Ref. No.	Qty	Description
1	56002701	4	Nut, Hex Nyl Loc 5/16-18
2	56002769	4	Nut, Hex Nyl Loc 3/8-16
3	56002770	12	Nut, Hex Nyl Loc 1/2-13
4	56367206	8	Bushing
5	56453907	2	Weight Casting
6	56001995	8	Scr, Hex Hd 1/2-13 x 1.75
7	56002063	2	Wsh, Flt SAE 3/8
8	56002221	4	Scr, Hex Hd 5/16-18 x 1.00
9	56002684	4	Scr, Hex Hd 3/8-16 x 1.75
10	56003272	6	Nut, Hex Jam SS 5/8-11
11	56003222	2	Pin, Cotter Hair .125 x .5
12	56003656	2	Clevis Pin .375 x 2.25
13	56009017	8	Wsh, Flt Harden .516 x .938 x .75
14	56009022	8	Wsh, Flt .754 x 1.250 x .120
15	56303117	2	Mount, Squeegee Actuator
16	56303174	1	Squeegee Mount Weldment
17	56303360	1	Actuator 36V, Squeegee Lift
18	56304157	2	Bracket Deck Tower Mount
19	56304266	2	Wheel, Caster
20	56304586	8	Bearing .750 x .625 x .500
21	56303460	1	Squeegee Assembly (see Squeegee Assembly)
22	56305467	2	Arm Parallel 7.5 in.
23	56305610	2	Arm, Adjustable Assembly (items 24-27)
24	56002773	1	Nut, Hex Nyl Loc 1/2-20
25	56003672	1	Scr, Hex Thd to Hd 1/2-20 x 2.50 Grd 8
26	56305608	1	Arm, Adjustable
27	56305609	1	Arm, Adjustable Threaded

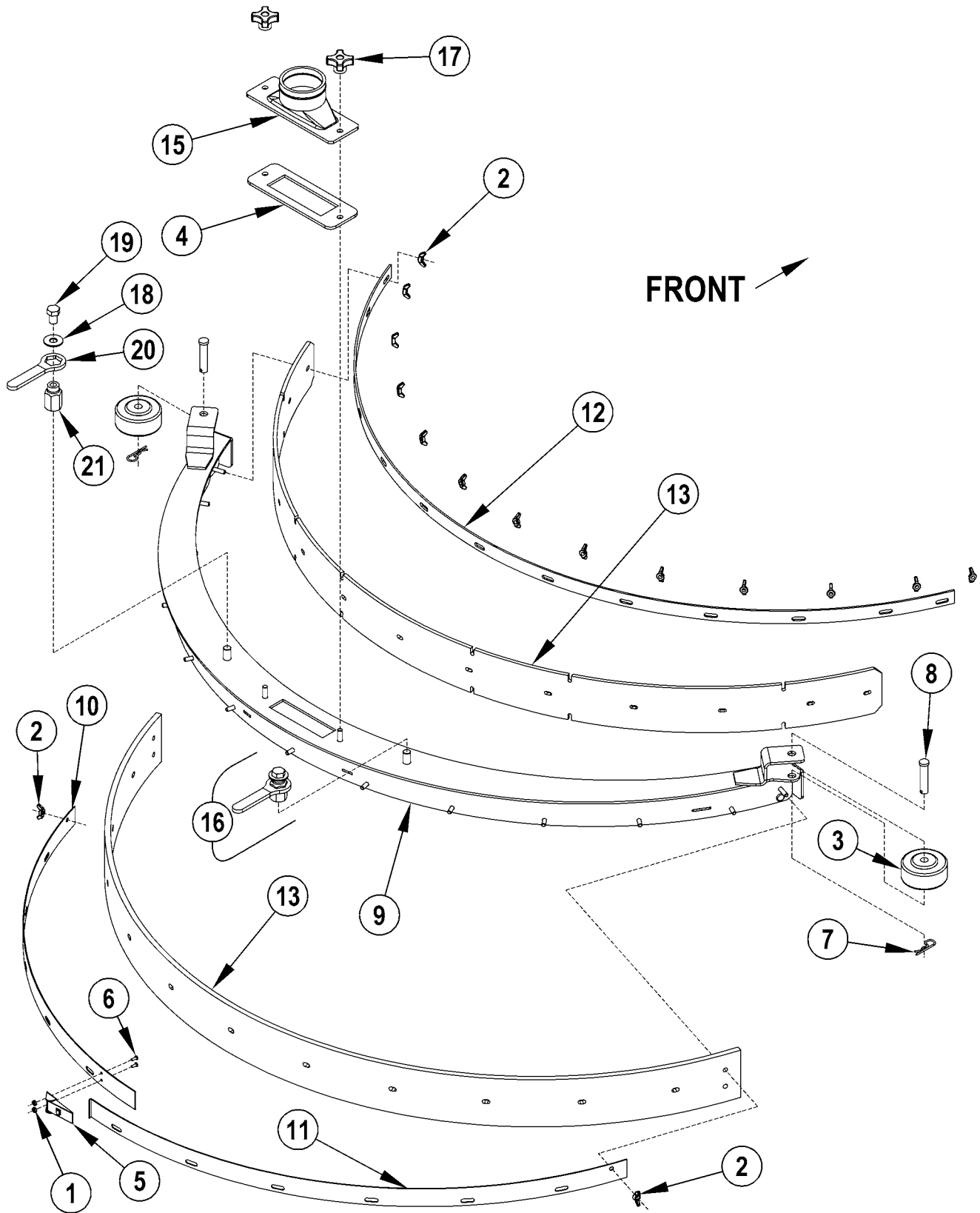
SQUEEGEE ASSEMBLY

04-3

60

Captor™ 4300B, 4800B

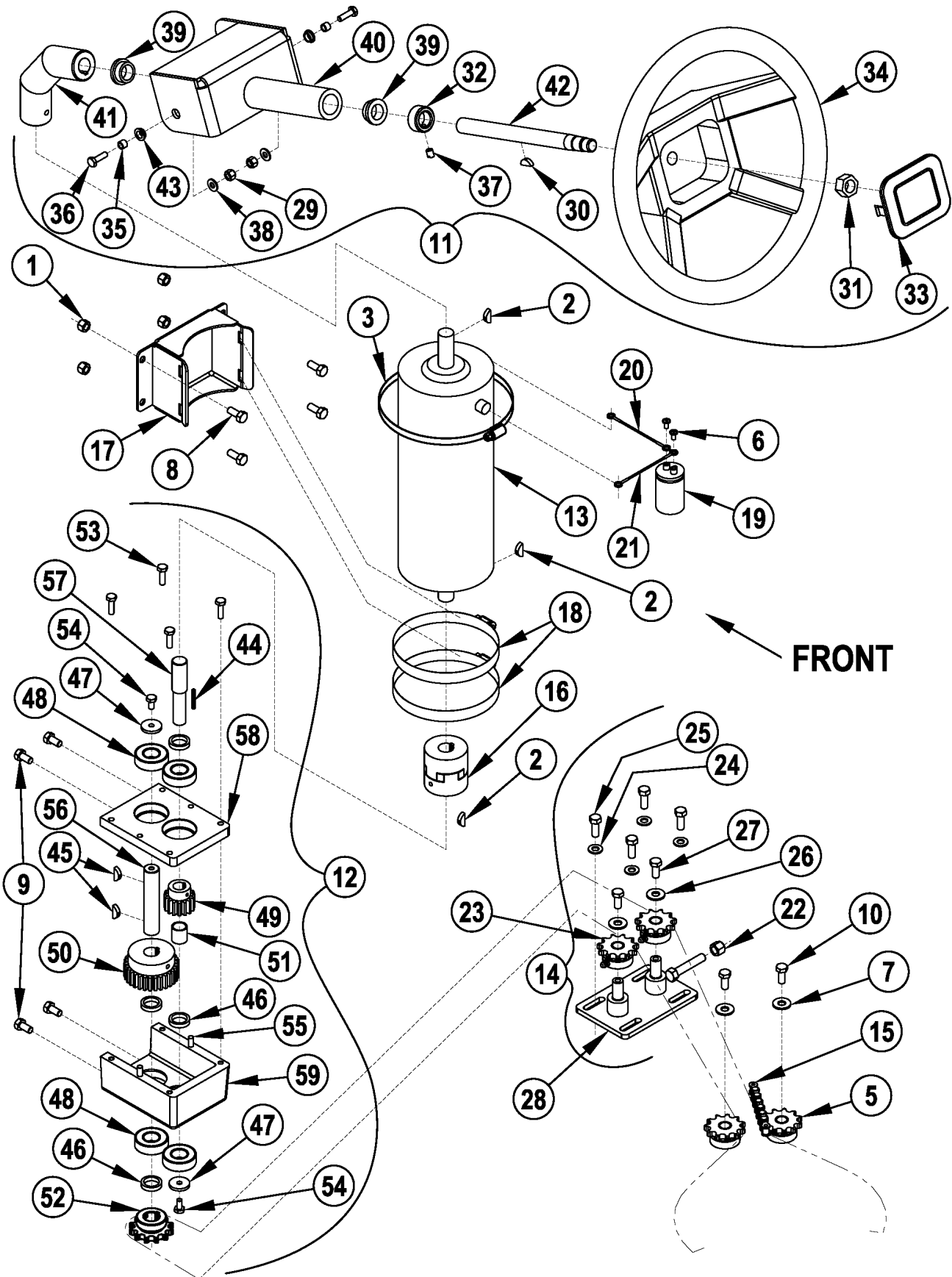
05-2



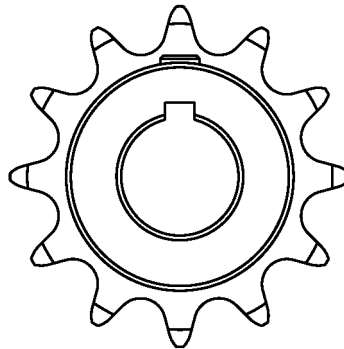
Item	Ref. No.	Qty	Description
	56303459	1	43 in. Squeegee Assy (4300B)
	56303460	1	48 in. Squeegee Assy (4800B)
1	56002964	2	Nut, Hex Nyl Loc-Thin SS 6-32
2	56009048	15	Nut, Wing Loc 1/4-20
3	56386127	2	Wheel 3.00 x 1.25
4	56459281	1	Gasket, Inlet
5	56471194	1	Latch Assembly
6	56002909	2	Scr, Pan Phil SS 6-32 x .38
7	56003120	2	Pin, Cotter Hair .0915 x .375
8	56003620	2	Clevis Pin
9	56304937	1	43 in. Squeegee Weldt (4300B)
	56304953	1	48 in. Squeegee Weldt (4800B)
10	56305808	1	Strap, 43 in. Rear Left Blade (4300B)
	56304962	1	Strap, 48 in. Rear Left Blade (4800B)
11	56305807	1	Strap, 43 in. Rear Right Blade (4300B)
	56304963	1	Strap, 48 in. Rear Right Blade (4800B)
12	56305806	1	Strap, Front Blade 43 in. (4300B)
	56304964	1	Strap, Front Blade 48 in. (4800B)
13	56303471	1	Squeegee Blade Kit 43 (4300B) (contains both front and rear blades)
	56303472	1	Squeegee Blade Kit 48 (4800B) (contains both front and rear blades)
15	56305373	1	Adapter, Squeegee
16	56305616	2	Crank Assembly (items 18-21)
17	56407510	2	Knob, 5/16-18 Nyloc
18	56002024	1	Wsh, Flt Std 7/16
19	56003032	1	Scr, Hex Hd Loc 1/2-13 x .75
20	56305614	1	Crank Handle
21	56305615	1	Crank Hex
**	56303469	1	Neoprene Squeegee Blade Kit 43 (4300B) NOTE #1
**	56303470	1	Neoprene Squeegee Blade Kit 48 (4800B) NOTE #1
**	56303562	1	Polyurethane Squeegee Blade Kit 43 (4300B) NOTE #1
**	56303564	1	Polyurethane Squeegee Blade Kit 48 (4800B) NOTE #1

** = Optional

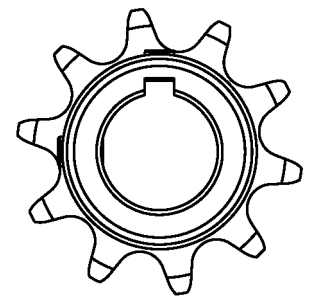
NOTE #1 All squeegee blade kits include both front and rear squeegee blades.



Item	Ref. No.	Qty	Description	Item	Ref. No.	Qty	Description
1	56002701	4	Nut, Hex Nyl Loc 5/16-18	44	56003793	1	Key, SQ .12 x 1.12 NOTE 1
2	56003228	3	Key, Wdf .75 x .19	45	56003228	2	Key, WDF .75 x .19
3	56355488	1	Clamp, Hose SAE #96	46	56366315	4	Spacer
5	56454079	2	Sprocket Assembly	47	56388766	2	Washer, Balance-12.5 Gr.
6	56002001	2	Scr, Pan Phil (UNF) 10-32 x .38	48	56416038	4	Bearing, Ball
7	56002220	2	Wsh, Flt Std 5/16	49	56380403	1	Gear, Spur
8	56002667	4	Scr, Hex Hd 5/16-18 x .75	50	56380402	1	Gear, Spur
9	56002929	4	Scr, Hex Hd Loc 5/16-18 x .62	51	56416557	1	Sleeve
10	56002956	2	Scr, Hex Hd Loc 5/16-18 x .75	52	56380404	1	Sprocket, 12 Tooth
11	56303021	1	Steering Assembly (items 29-43)	53	56001821	4	Scr, Hex Hd 1/4-20 x .88
12	56380401	1	Steering Gearbox Assy (items 44-59) TSBUS2007-982	54	56002922	2	Scr, Hex Hd Loc 1/4-20 x .62
			NOTE 2	55	56003224	2	Pin, Dwl Std .25 x 1.25
13#	56380500	1	SBW Steering Kit NOTE 3 / TSBUS2007-982	56	56303101	1	Shaft, Steering
14	56303108	1	Tensioner Assembly (items 22-28)	57	56380447	1	Shaft, Steering NOTE 1
15	56303133	1	Chain, Roller Upper	58	56303210	1	Cover, Steering Block
16	56303536	1	Coupler Assembly (before SN1784445)	59	56303246	1	Steering Gear Mount
	56303535	1	Coupler, Machined				# = Revised or new since last update
	56002119	1	Scr, Soc Set Loc 1/4-20 x .50				
	56303244	1	Coupler, Elastimer				
	56303243	1	Coupler, Steering Shaft				
	56303245	1	Coupler Assembly (after SN1784444)				
	56303243	2	Coupler, Steering Shaft				
	56303244	1	Coupler, Elastimer				
17	56303247	1	Bracket, Power Steering Unit				
18	56303323	2	Clamp, Hose Heavy Duty				
19	56303337	1	Capacitor, Torque Amplifier				
20	56303351	1	Wire Assembly, Blk 18 AWG (3.25")				
21	56303352	1	Wire Assembly, Grn/Wht 18 AWG (3.25")				
22	56002769	1	Nut, Hex Nyl Loc 3/8-16				
23	56454079	2	Sprocket Assembly				
24	56001939	4	Wsh, Flt SAE 5/16				
25	56002037	4	Scr, Hex Hd 5/16-18 x .88				
26	56002220	2	Wsh, Flt Std 5/16				
27	56002956	2	Scr, Hex Hd Loc 5/16-18 x .75				
28	56303224	1	Tensioner Weldment				
29	56002708	2	Nut, Hex Nyl Loc 1/4-20				
30	56003228	1	Key, Wdf .75 x .19				
31	56003440	1	Nut, Steering Wheel				
32	56367095	1	Collar, Shaft				
33#	7-16-07428	1	Cap, Steering Wheel				
34	56418460	1	Steering Wheel				
35	56453849	2	Bushing .26 x .37 x .28				
36	56001821	2	Scr, Hex Hd 1/4-20 x .88				
37	56002021	1	Scr, Soc Set Loc 5/16-18 x .38				
38	56002098	2	Wsh, Flt SAE 1/4				
39	56303024	2	Bearing, FL 1.000 x .750 x .500				
40	56303027	1	Steering Mount Weldment				
41	56303539	1	Universal Joint Assy (before SN1784445)				
	56303075	1	Universal Shaft, Double (after SN1784444)				
42	56303211	1	Shaft, Steering Wheel				
43	56304518	2	Bearing, FL .500 x .375 x .188				



Bottom sprocket
on 56303072
(12 teeth)

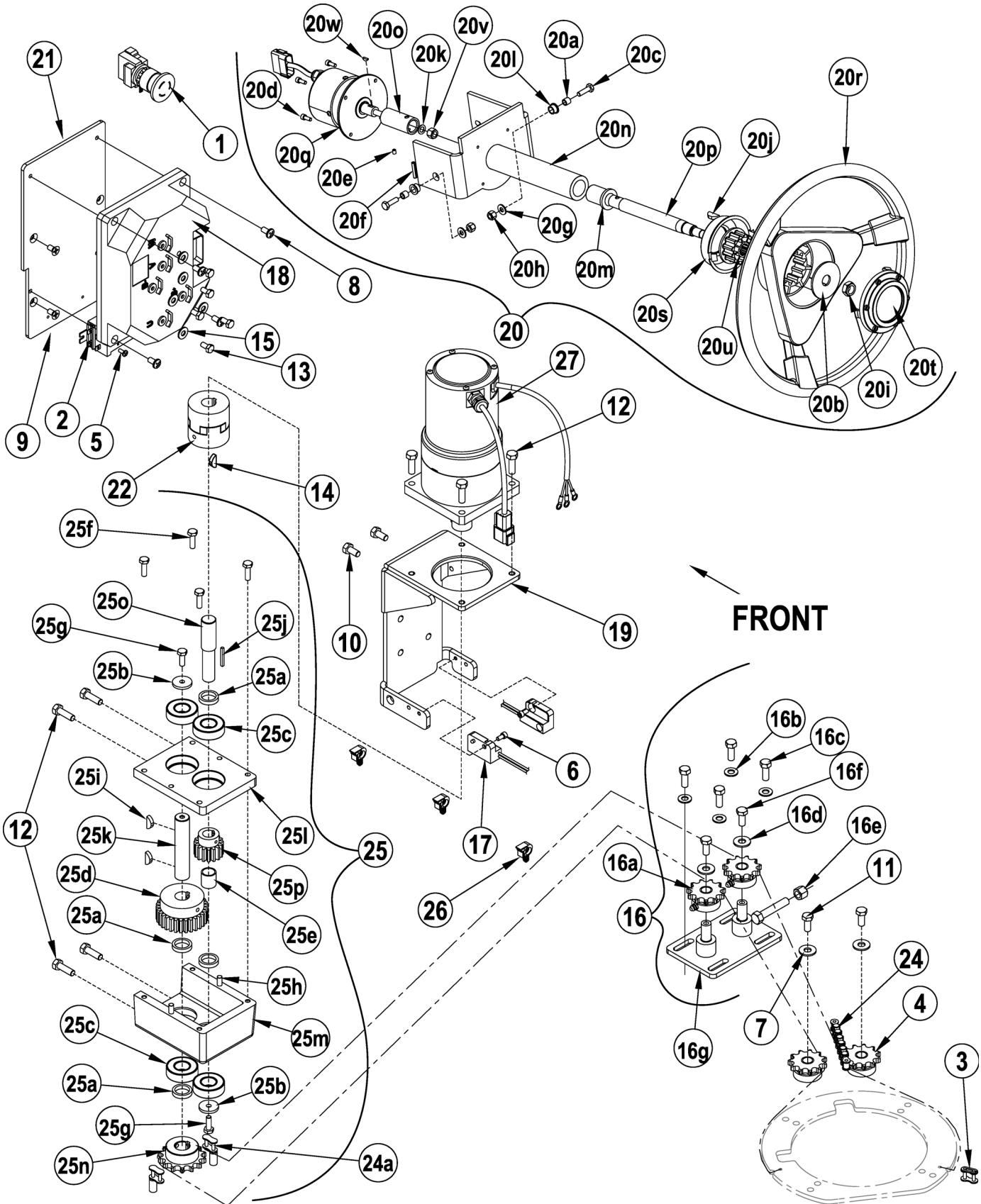


Bottom sprocket
on 56380401
(10 teeth)

NOTE 1: Shaft 56303102 is obsolete and replaced by 56380447. When replacing 56303102 with 56380447 you will also need to order Key 56003793 to replace Key 56003226.

NOTE 2: Gearbox 56303072 is no longer available and replaced in production by 56380401 as of serial #203376. Please replace 56303072 with the improved gearbox 56380401 rather than servicing 56303072. If you are not sure of your machine's serial # you can identify which unit you have by looking at the sprocket #52. The illustration above shows the difference between the old and new sprocket.

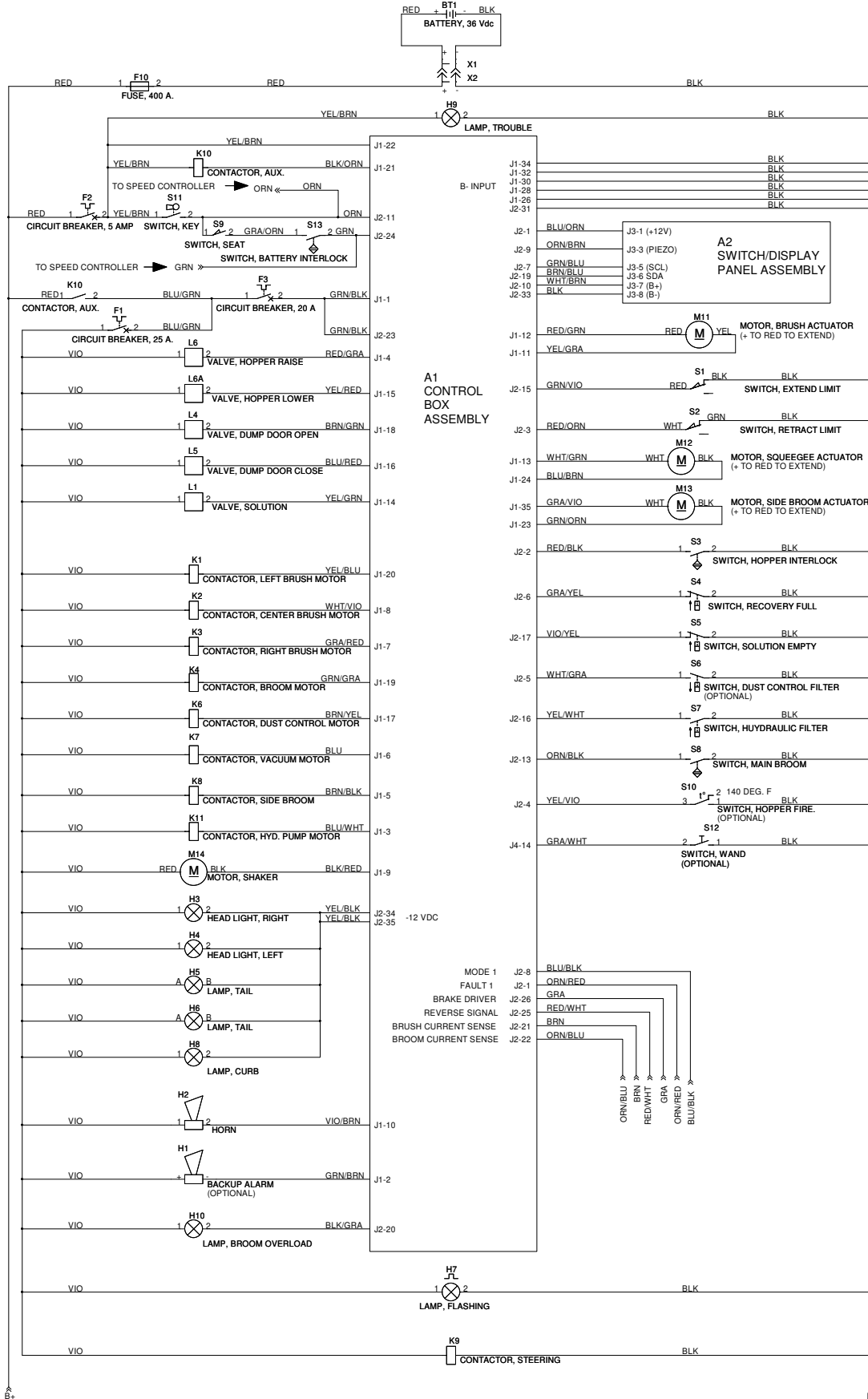
#NOTE 3: 56303073 is no longer available. If you need to replace 56303073 please order the SBW Steering Kit 56380500.



Item	Ref. No.	Qty	Description	Item	Ref. No.	Qty	Description
1	56407130	1	Disconnect, Emergency (S15)	21	56380407	1	Plate, Mount, AC Driver
2	56416157	1	Relay, Spst (K13)	22	56380408	1	Assy, Coupler
3	56445096	1	Link, Connector	[23]	56380426	1	Steer By Wire Harness
4	56454079	2	Sprocket Assy	24	56380442	1	Chain, Assy
5	56001818	2	Scr, Pan Phil 8-32 X .38	24a	56380429	2	Link, Assy (replacement for 56380442)
6	56002087	2	Scr, Soc Hd 10-24 X 0.38	25	56380448	1	Steering, Gearbox Assy
7	56002220	2	Wsh, Flt Std 5/16	25a	56366315	4	Spacer
8	56002828	4	Scr, Pan Phil Loc 1/4-20 X .62	25b	56388766	2	Washer, Balance-12.5 Gr.
9	56002921	4	Scr, Flt Phil Loc 1/4-20 X .50	25c	56416038	4	Bearing, Ball
10	56002929	2	Scr, Hex Hd Loc 5/16-18 x .62	25d	56380498	1	Gear, Spur
11	56002956	2	Scr, Hex Hd Loc 5/16-18 x .75	25e	56416557	1	Sleeve
12	56003073	8	Scr, Hex Hd Loc 5/16-18 x 1.00	25f	56001821	4	Scr, Hex 1/4-20 X .88
13	56003155	5	Scr, Hex M6-1 X 12mm	25g	56002922	2	Scr, Hex Hd Loc 1/4-20x.62
14	56003228	1	Key, Wdf .75 X .19	25h	56003224	2	Pin, Dwl Std .25 X 1.25
15	56009064	5	Wsh, Int Shprf 1/4	25i	56003228	2	Key, Wdf .75 X .19
16	56303108	1	Tensioner Assy	25j	56003793	1	Key, Sq .12 X 1.12
16a	56454079	2	Sprocket Assy	25k	56303101	1	Shaft, Steering
16b	56001939	4	Wsh, Flt Sae 5/16	25l	56303210	1	Cover, Steering Block
16c	56002037	4	Scr, Hex 5/16-18 X .88	25m	56303246	1	Steering Gear Mount
16d	56002220	2	Wsh, Flt Std 5/16	25n	56380398	1	Sprocket, 14 Tooth
16e	56002769	1	Nut, Hex Nyl Loc 3/8-16	25o	56380447	1	Shaft, Steering
16f	56002956	2	Scr, Hex Hd Loc 5/16-18x.75	25p	56380480	1	Gear, Spur
16g	56303224	1	Tensioner Weldt	[]	2-00-00566	1	Fitting-Lubrication Straight
17	56305053	2	Switch, Magnetic (S16 / S17)	26	56507793	3	Clip, Conduit
18#	56510729	1	AC Drive (A4)	27	56380406	1	Gearmotor, 36vdc, Steer (M16)
19	56380392	1	Bracket, Motor				
20	56380395	1	Steering, Upper Sbw				
20a	56151106	2	Bushing				
20b	56497542	1	Washer				
20c	56001821	2	Scr, Hex 1/4-20 X .88				
20d	56001867	4	Scr, Soc Hd 10-24 X 0.50				
20e	56002015	1	Scr, Soc Set Loc 10-24 X .25				
20f	56002082	1	Pin, Spr .19 X 1.00				
20g	56002098	2	Wsh, Flt Sae 1/4				
20h	56002708	2	Nut, Hex Nyl Loc 1/4-20				
20i	56002868	1	Nut, Hex Nyl Loc-Thin 1/2-20				
20j	56003228	1	Key, Wdf .75 X .19				
20k	56009384	1	Wsh, Flt .328 X .563 X .031				
20l	56304554	2	Bearing, Fl .500x.375x.313				
20m	56380384	1	Bearing, Fl 1.00x .75x 1.50				
20n	56380387	1	Steering Mount Weldt				
20o	56380388	1	Coupler, Steering Shaft				
20p	56380391	1	Shaft, Steering Wheel				
20q	56380405	1	Torque Feedback Device (E1)				
20r	56497306	1	Steering Wheel				
20s	56497308	1	Cup				
20t	56497543	1	Cap				
20u	56497560	1	Wheel Adapter				
20v	56003389	1	Nut, Hex Nyl Loc M8-1.25				
20w	56003804	1	Key- WDF M3 x 10				

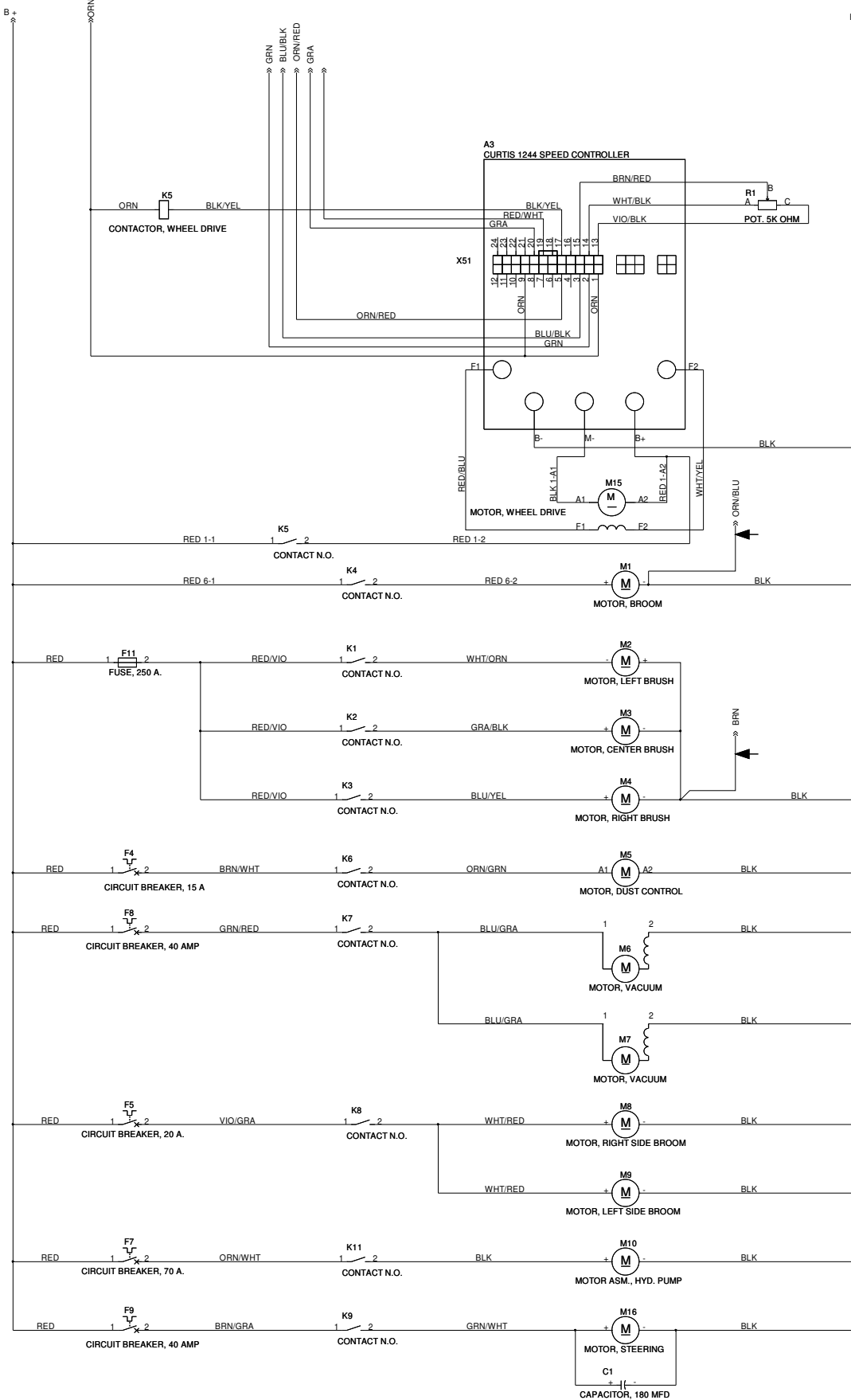
[] = Not Shown

= Revised or new since last update



Item	Ref. No.	Qty	Description
A1	56303201	1	Control Box Assembly
A2	56303374	1	Switch/Display Panel Assembly
BT1	N/A	1	Battery 36Vdc
F1	56469788	1	Circuit Breaker, 25 Amp (Auxiliary Circuit 1)
F2	56387328	1	Circuit Breaker, 5 Amp (Auxiliary Circuit 2)
F3	56395454	1	Circuit Breaker, 20 Amp (Auxiliary Circuit 3)
F10	56303297	1	Fuse, 400 Amp (Main)
H1	N/A	1	Backup Alarm (optional)
H2	56482365	1	Horn
H3	56304768	1	Headlight, Right
	56304783	A/R	Bulb, Light (for 56304768)
H4	56304768	1	Headlight, Left
	56304783	A/R	Bulb, Light (for 56304768)
H5	56305237	1	Lamp, Tail
H6	56305237	1	Lamp, Tail
H7	N/A	1	Lamp, Flashing (optional)
H8	N/A	1	Lamp, Curb (optional)
H9	56303353	1	Lamp, Trouble (optional)
H10	56303350	1	Lamp, Broom Overload
K1	56395450	1	Contactor, Left Brush Motor
K2	56395450	1	Contactor, Center Brush Motor
K3	56395450	1	Contactor, Right Brush Motor
K4	56303198	1	Contactor, Broom Motor
K6	56395450	1	Contactor, Dust Control Motor
K7	56395450	1	Contactor, Vacuum Motor
K8	56395450	1	Contactor, Side Broom
K9	56395450	1	Contactor, Steering
K10	56395450	1	Contactor, Auxiliary
K11	56303434	1	Contactor, Hydraulic Pump Motor
L1	56303275	1	Valve, Solution
L4	56303435	1	Valve, Dump Door Open
L5#	56305369	1	Valve, Dump Door Close
L6	56303437	1	Valve, Hopper Raise
L6A	56303437	1	Valve, Hopper Lower
M11	56303095	1	Motor, Brush Actuator
M12	56303360	1	Motor, Squeegee Actuator
M13	56303119	1	Motor, Side Broom Actuator
M14	56467307	1	Motor, Shaker
S1	N/A	1	Switch, Extend Limit
S2	N/A	1	Switch, Retract Limit
S3	56305053	1	Switch, Hopper Interlock
S4	56305977	1	Switch, Recovery Full TSBUS2005-875
S5	56305032	1	Switch, Solution Empty
S6	N/A	1	Switch, Dust Control Filter (optional)
S7	56418994	1	Switch, Hydraulic Filter
S8	56305053	1	Switch, Main Broom
S9	N/A	1	Switch, Seat
S10	N/A	1	Switch, Hopper Fire (optional)
S11	56303554	1	Switch, Key TSBUS2004-873
S12	56209321	1	Switch, Wand (optional)
S13	56305053	1	Switch, Battery Interlock

= Revised or new since last update



Item	Ref. No.	Qty	Description
A3	56303197	1	Curtis 1244 Speed Controller
C1	56303337	1	Capacitor, 180 MFD
F4	56454538	1	Circuit Breaker, 15 Amp (Dust Control)
F5	56395454	1	Circuit Breaker, 20 Amp (Side Brooms)
F7	56303301	1	Circuit Breaker, 70 Amp (Hydraulic Pump))
F8	56303299	1	Circuit Breaker, 40 Amp (Vacuum Motors)
F9	56303299	1	Circuit Breaker, 40 Amp (Power Steering)
F11	56410044	1	Fuse, 250 Amp (Brush Motors)
K1	56395450	1	Contact N.O. (Left Brush)
K2	56395450	1	Contact N.O. (Center Brush)
K3	56395450	1	Contact N.O. (Right Brush)
K4	56303198	1	Contact N.O. (Main Broom)
K5	56303198	1	Contact N.O. (Drive Wheel)
K6	56395450	1	Contact N.O. (Dust Control)
K7	56395450	1	Contact N.O. (Vacuum)
K8	56395450	1	Contact N.O. (Side Brooms)
K9	56395450	1	Contact N.O. (Steering)
K11	56303434	1	Contact N.O. (Hydraulic Pump Motor)
M1	56303039	1	Motor, Broom 2.0 HP
*	56303419	4	Replacement Carbon Brushes
*	56303444	4	Replacement Spring
M2	56303083	1	Motor, Left Brush
*	56303419	4	Replacement Carbon Brushes
*	56303444	4	Replacement Spring
M3	56303083	1	Motor, Center Brush
*	56303419	4	Replacement Carbon Brushes
*	56303444	4	Replacement Spring
M4	56303083	1	Motor, Right Brush
*	56303419	4	Replacement Carbon Brushes
*	56303444	4	Replacement Spring
M5	56416020	1	Motor, Dust Control
	56416595	1	Carbon Brush Set
M6	56410065	1	Motor, Vacuum
*	56212223	1	Carbon Brush Set
M7	56410065	1	Motor, Vacuum
*	56212223	1	Carbon Brush Set
M8	56416578	1	Gearmotor Assy (right) NOTE 1
	56303442	1	Gearmotor Assy (right) NOTE 2
*	56416608	1	Carbon Brush Set
M9	56410307	1	Gearmotor Assy (left) NOTE 1
	56303443	1	Gearmotor Assy (left) NOTE 2
*	56416608	1	Carbon Brush Set
M10	56303040	1	Motor, Assembly, Hydraulic Pump
*	56303433	1	Brush and Spring Kit
*	56303561	1	Reservoir, Kit
M15	56303033	1	Motor, Wheel Drive
*	56303426	4	Replacement Carbon Brushes
*	56409746	4	Replacement Brush Spring
M16#	56380500	1	SBW Steering Kit NOTE 3 / TSBUS2007-982
R1	56303313	1	Potentiometer, 5K Ohm

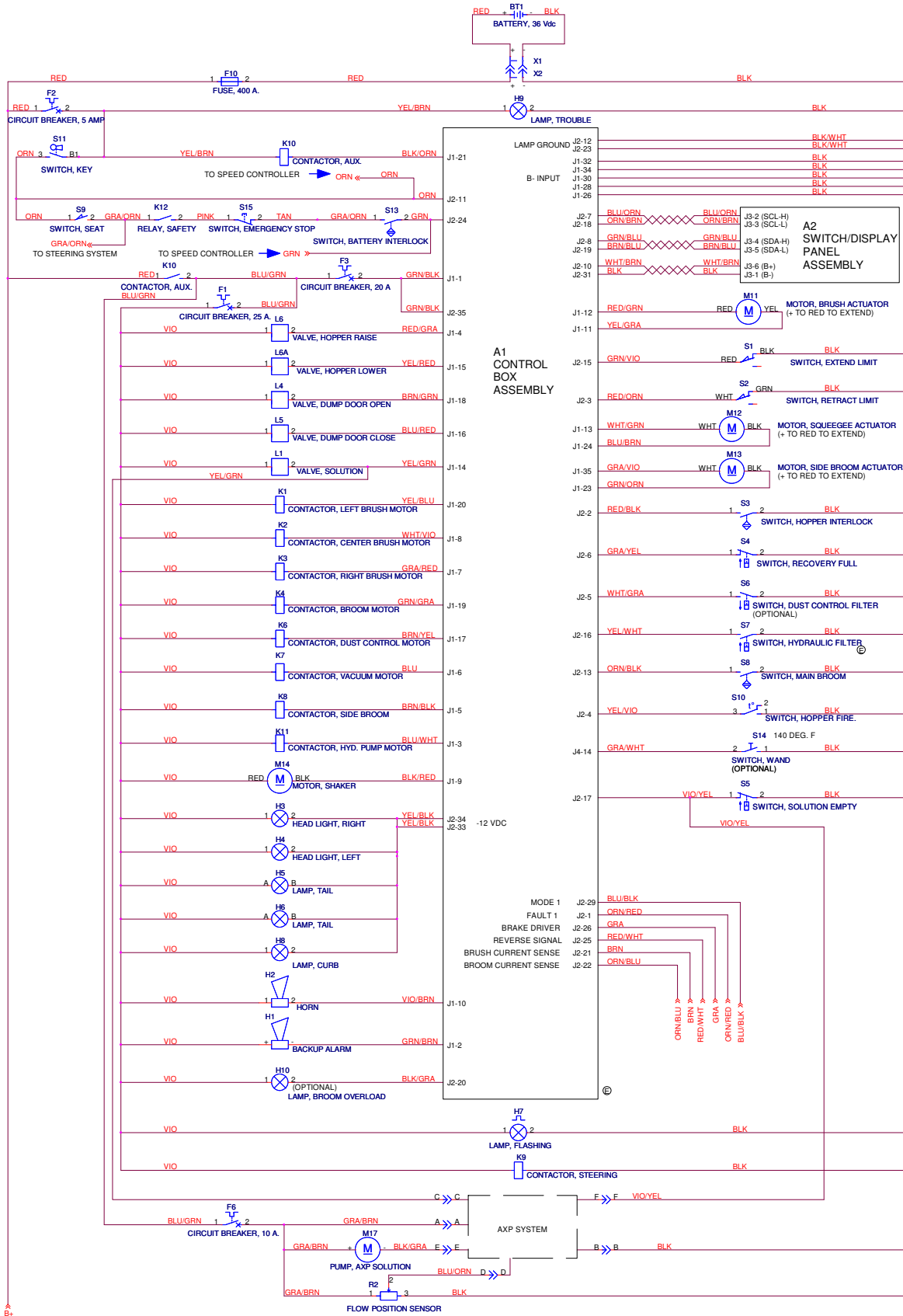
* = Not Shown

= Revised or new since last update

NOTE 1: Used on machines built before May 2004.

NOTE 2: Used on machines built after April 2004.

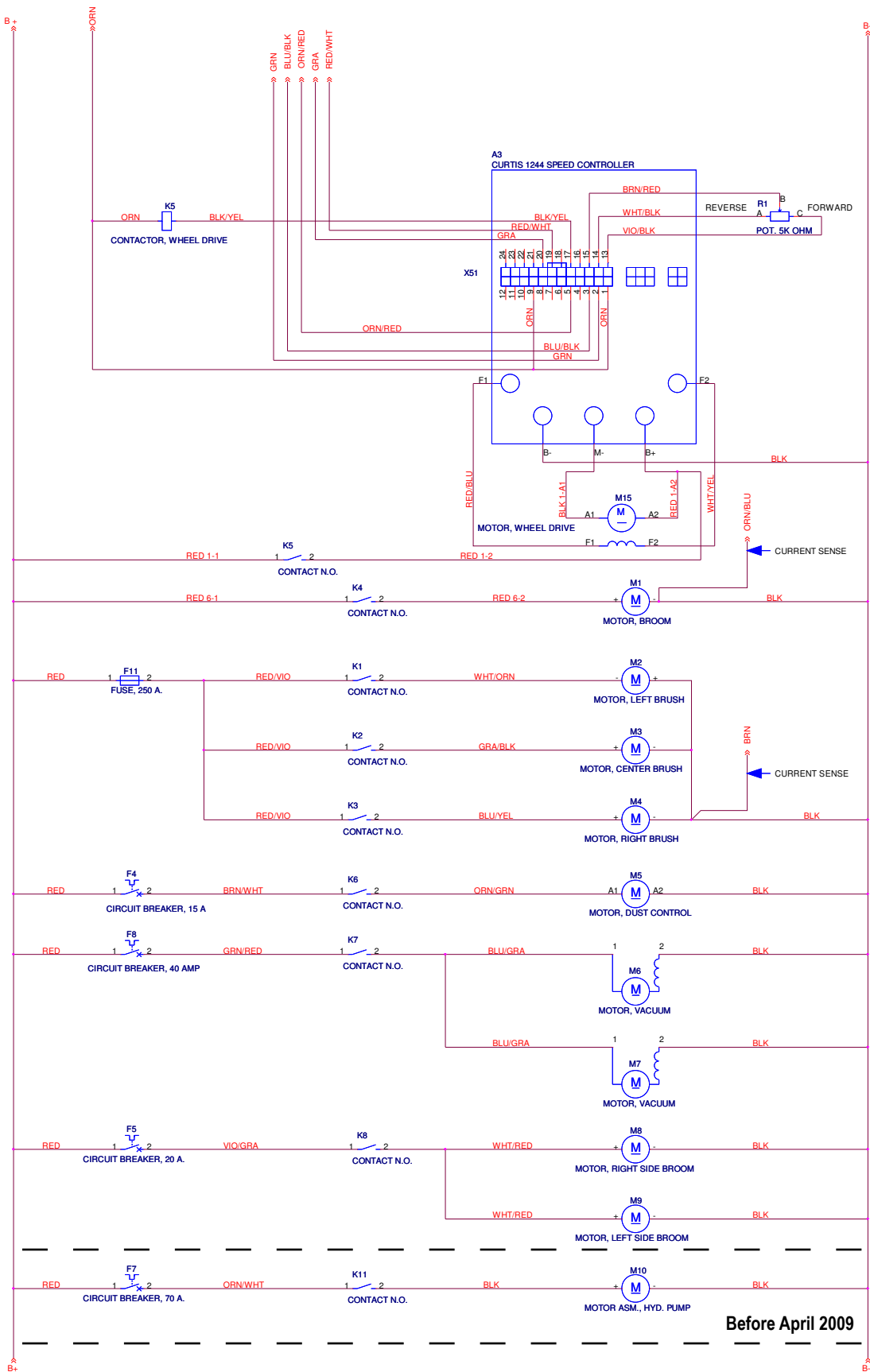
#NOTE 3: 56303073 is no longer available. If you need to replace 56303073 please order the SBW Steering Kit 56380500.



Item	Ref. No.	Qty	Description
A1	56303543	1	Control Box Assembly
A2	56303552	1	Switch/Display Panel Assembly
BT1	N/A	1	Battery 36Vdc
F1	56469788	1	Circuit Breaker, 25 Amp (Auxiliary Circuit 1)
F2	56387328	1	Circuit Breaker, 5 Amp (Auxiliary Circuit 2)
F3	56395454	1	Circuit Breaker, 20 Amp (Auxiliary Circuit 3)
F10	56303297	1	Fuse, 400 Amp (Main)
F12	56387316	1	Circuit Breaker, 10A (AXP)
H1	N/A	1	Backup Alarm (optional)
H2	56482365	1	Horn
H3	56304768	1	Headlight, Right
	56304783	A/R	Bulb, Light (for 56304768)
H4	56304768	1	Headlight, Left
	56304783	A/R	Bulb, Light (for 56304768)
H5	56305237	1	Lamp, Tail
H6	56305237	1	Lamp, Tail
H7	N/A	1	Lamp, Flashing (optional)
H8	N/A	1	Lamp, Curb (optional)
H9	56303353	1	Lamp, Trouble (optional)
H10	56303350	1	Lamp, Broom Overload
K1	56395450	1	Contact, Left Brush Motor
K2	56395450	1	Contact, Center Brush Motor
K3	56395450	1	Contact, Right Brush Motor
K4	56303198	1	Contact, Broom Motor
K6	56395450	1	Contact, Dust Control Motor
K7	56395450	1	Contact, Vacuum Motor
K8	56395450	1	Contact, Side Broom
K9	56395450	1	Contact, Steering
K10	56395450	1	Contact, Auxiliary
K11	56303434	1	Contact, Hydraulic Pump Motor
L1	56303189	1	Valve, Solution
L2	56303189	1	Valve, Solution
L4	56303435	1	Valve, Dump Door Open
L5#	56305369	1	Valve, Dump Door Close
L6	56303437	1	Valve, Hopper Raise
L6A	56303437	1	Valve, Hopper Lower
M11	56303095	1	Motor, Brush Actuator
M12	56303360	1	Motor, Squeegee Actuator
M13	56303119	1	Motor, Side Broom Actuator
M14	56467307	1	Motor, Shaker
M17	56413810	1	Pump, 36VDC (AXP)
R2	56303313	1	Flow Position Sensor (AXP)
S1	N/A	1	Switch, Extend Limit
S2	N/A	1	Switch, Retract Limit
S3	56305053	1	Switch, Hopper Interlock
S4	56305977	1	Switch, Recovery Full TSBUS2005-875
S5	56305032	1	Switch, Solution Empty
S6	N/A	1	Switch, Dust Control Filter (optional)
S7	56418994	1	Switch, Hydraulic Filter
S8	56305053	1	Switch, Main Broom
S9	7-82-00050	1	Switch, Seat
S10	N/A	1	Switch, Hopper Fire (optional)
S11	56303553	1	Switch, Key TSBUS2004-873
*	56303526	1	Key, Replacement Set (replacement key for 56303553)
S12	56209321	1	Switch, Wand (optional)
S13	56305053	1	Switch, Battery Interlock

* = Not Shown

= Revised or new since last update



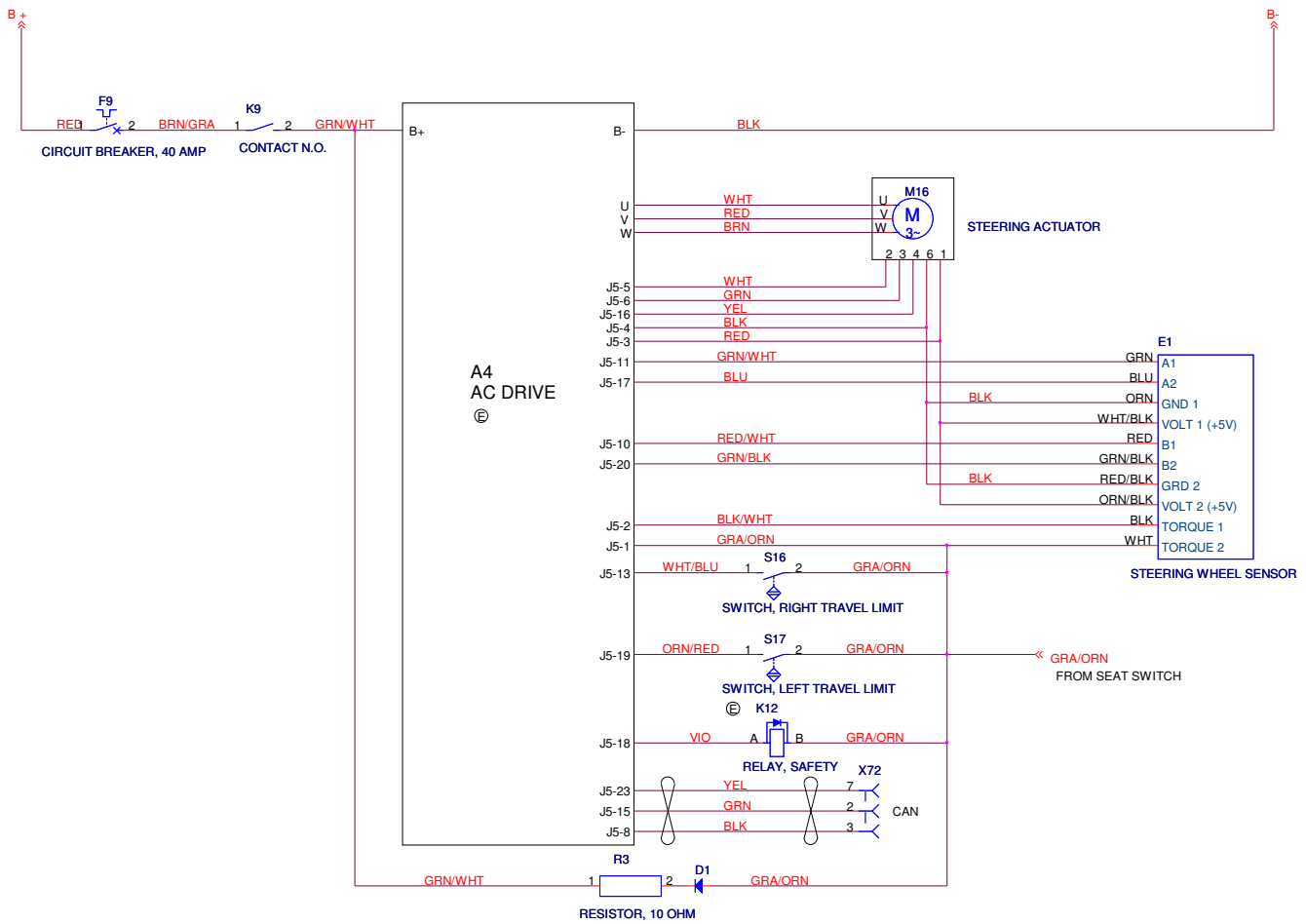
Before April 2009

Item	Ref. No.	Qty	Description
A3	56303197	1	Curtis 1244 Speed Controller
C1	56303337	1	Capacitor, 180 MFD
F4	56454538	1	Circuit Breaker, 15 Amp (Dust Control)
F5	56395454	1	Circuit Breaker, 20 Amp (Side Brooms)
F7	56303301	1	Circuit Breaker, 70 Amp (Hydraulic Pump))
F8	56303299	1	Circuit Breaker, 40 Amp (Vacuum Motors)
F9	56303299	1	Circuit Breaker, 40 Amp (Power Steering)
F11	56410044	1	Fuse, 250 Amp (Brush Motors)
K1	56395450	1	Contact N.O. (Left Brush)
K2	56395450	1	Contact N.O. (Center Brush)
K3	56395450	1	Contact N.O. (Right Brush)
K4	56303198	1	Contact N.O. (Main Broom)
K5	56303198	1	Contact N.O. (Drive Wheel)
K6	56395450	1	Contact N.O. (Dust Control)
K7	56395450	1	Contact N.O. (Vacuum)
K8	56395450	1	Contact N.O. (Side Brooms)
K9	56395450	1	Contact N.O. (Steering)
K11	56303434	1	Contact N.O. (Hydraulic Pump Motor)
M1	56303039	1	Motor, Broom 2.0 HP
*	56303419	4	Replacement Carbon Brushes
*	56303444	4	Replacement Spring
M2	56303083	1	Motor, Left Brush
*	56303419	4	Replacement Carbon Brushes
*	56303444	4	Replacement Spring
M3	56303083	1	Motor, Center Brush
*	56303419	4	Replacement Carbon Brushes
*	56303444	4	Replacement Spring
M4	56303083	1	Motor, Right Brush
*	56303419	4	Replacement Carbon Brushes
*	56303444	4	Replacement Spring
M5	56416020	1	Motor, Dust Control
	56416595	1	Carbon Brush Set
M6	56410065	1	Motor, Vacuum
*	56212223	1	Carbon Brush Set
M7	56410065	1	Motor, Vacuum
*	56212223	1	Carbon Brush Set
M8	56303442	1	Gearmotor Assy (right)
*	56416608	1	Carbon Brush Set
M9	56303443	1	Gearmotor Assy (left)
*	56416608	1	Carbon Brush Set
M10	56303040	1	Motor, Assembly, Hydraulic Pump
*	56303433	1	Brush and Spring Kit
*	56303561	1	Reservoir, Kit
M15	56303033	1	Motor, Wheel Drive
*	56303426	4	Replacement Carbon Brushes
*	56409746	4	Replacement Brush Spring
M16#	56380500	1	SBW Steering Kit NOTE 1 TSBUS2007-982
R1	56303313	1	Potentiometer, 5K Ohm

* = Not Shown

= Revised or new since last update

#NOTE 1: 56303073 is no longer available. If you need to replace 56303073 please order the SBW Steering Kit 56380500.



Item	Ref. No.	Qty	Description
A4#	56510729	1	AC Drive NOTE 1
D1	NA	1	Diode NOTE 1
E1	56380405	1	Torque Feedback Device NOTE 1
K12	56416157	1	Relay, SPST NOTE 1
M16	56380406	1	Gearmotor, 36VDC, Steer NOTE 1
R3	NA	1	Resistor, 10 Ohm NOTE 1
S15	56407130	1	Disconnect, Emergency NOTE 1
S16	56305053	1	Switch, Right Travel Limit NOTE 1
S17	56305053	1	Switch, Left Travel Limit NOTE 1

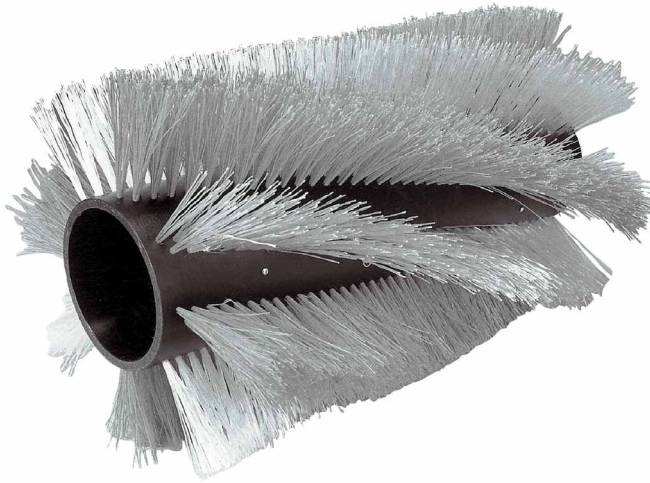
= Revised or new since last update

NOTE 1: Only used after March 2009.

Item	Ref. No.	Qty	Description
			Optional Kits
**	56305509	1	Temperature Switch Kit
**	56305519	1	Backup Alarm Kit (Std on Nilfisk models)
**	56305517	1	Hopper Filter Switch Kit
**	56305881	1	Beacon Kit (4300B / CR 1100B)
**	56305482	1	Beacon Kit (4800B / CR 1200B)
**	56305896	1	Solution Fill Shutoff Kit (4800B Models)
**	56305820	1	Solution Fill Shutoff Kit (4300B Models)
**	56305493	1	Tower Bumper Kit
**	56303362	1	Trouble Lamp Kit
**	56305530	1	Vacuum Wand Kit
**	56305637	1	Low Clearance Overhead Guard Kit
**	56303573	1	Overhead Guard Kit
**	56303579	1	Overhead Guard Beacon Kit
**	56305641	1	Curb Light Kit
**	56305494	1	Left Side Broom Guard Kit
**	56305495	1	Right Side Broom Guard Kit
**	56305652	1	Both Side Broom Guard Kit
**	56303431	1	Fire Extinguisher Kit
**	56305794	1	Pre-Filter Grid Kit
**	56109306	1	Seat Belt Kit For use on Seat 7-69-00008
**	56303445	1	Main Broom Belt Kit
**	56303381	1	Deluxe Seat Kit
**	56306145	1	Kit, Chemical Injection 36VDC
**	56303572	1	Cleanout Kit
**	56111418	1	Puddle Pick-Up Kit
**	56307221	A/R	Recovery Inlet Seal Kit
			See Accessories Parts List 56042449 for an individual parts break down of each kit
			4300B Squeegee Blade Kits (contains both front and rear blades)
**	56303471	1	Squeegee Blade Kit 43
**	56303469	1	Neoprene Squeegee Blade Kit 43
**	56303562	1	Polyurethane Squeegee Blade Kit 43
			4800B Squeegee Blade Kits (contains both front and rear blades)
**	56303472	1	Squeegee Blade Kit 48
**	56303470	1	Neoprene Squeegee Blade Kit 48
**	56303564	1	Polyurethane Squeegee Blade Kit 48
			Side Blade Kits (All Models / contains 2 long blades & 2 short blades)
**	56305697	1	Side Blade Kit
**	56305685	1	Neoprene Side Blade Kit
			Battery Accessories
**	56303429	1	Cart, Battery Exchange
**	56303430	1	Rack, Battery Storage
**	56303386	1	Disconnect, Battery Bracket Kit
			Accessories
**#	56044346	1	Literature Pack

** = Optional Accessories

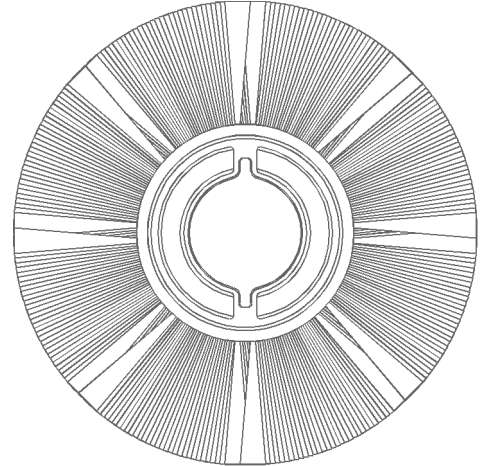
= Revised or new since last update



8 Double Row

Length.....40" (101.6 cm)

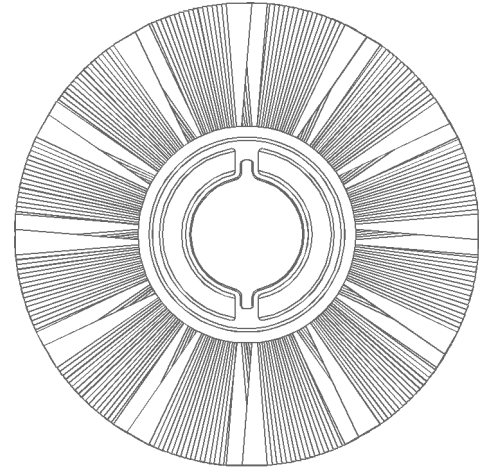
Diameter14" (35.56 cm)



12 Double Row

Length.....40" (101.6 cm)

Diameter14" (35.56 cm)



Main Broom:

PN56505955 Proex & Wire (STD.) (8 Double Rows)

This broom has a more aggressive cleaning action, used to pick up heavier debris.

PN56505956 Prolene (Optional) (8 Double Rows)

A top quality synthetic fiber. This filament is made for a wide variety of applications. Retains its stiffness when wet and resists abrasive chemicals, solvents and oils. A general purpose material offering high performance for a wide range of applications.

PN56505953 Nylon (Optional) (8 Double Rows)

General purpose broom that can be used for all types of light soil. High wear material so uneven surfaces do not cause excessive wear. Nylon has a high heat deflection temperature, is chemical resistant and will absorb water in wet conditions. Truly a general purpose broom.

PN56505952 Proex (Optional) (12 Double Rows)

PN56505954 Proex (Optional) (8 Double Rows)

Synthetic fiber made of polypropylene designed to pick up paper, gravel, sand and other lighter less bulky litter.

PN56505951 Poly/Wire (Optional) (8 Double Rows)

Side Broom:

PN56462252 Polypropylene (STD.)

The side broom function is to sweep the dirt and debris away from the curb, wall, pallet, etc. into the path of the main broom.



Diameter20" (50.8 cm)

We provide brushes and pad holders that will give you the best possible performance between machine and floor. Following are descriptions of the materials and their applications when used on the CR .

- Union Mix:** Medium grade natural fibers for polishing finished floors with standard-speed equipment. Recommended for use in place of white pads.
- ProLite:** Bristles are made from light-duty polypropylene for general scrubbing when you do not want to scratch or remove finish from the floor. Recommended for use in place of red pads.
- Prolene:** Polypropylene material for medium-duty scrubbing on concrete, terrazzo and vinyl floor tile. Recommended for use in place of green or blue pads.
- Magna Grit:** For extreme heavy-duty scrubbing or stripping of floors. This brush has extra large diameter silicon carbide grit impregnated synthetic bristles. Recommended for use in place of black pads.
- Dyna Grit:** For aggressive, heavy-duty scrubbing or stripping of floors. Recommended for use in place of brown pads.
- MidLite Grit:** For general purpose scrubbing of sealed or unsealed concrete, stone, terrazzo, quarry tile and other resilient hard floor surfaces. Recommended for use in place of green or blue pads.
- MidGrit:** For general purpose scrubbing when you need a lighter action for sealed or unsealed concrete, stone, terrazzo, quarry tile and other resilient hard floor surfaces. Recommended for use in place of green or blue pads.
- AgLite Grit:** For light scrubbing when used wet; buffing or polishing when used dry on urethane coated, sealed concrete or other resilient hard surface floors. Recommended for use in place of red or white pads.
- Short Trim**
- Pad Holder:** Made with a structural foam block and center ring for correct pad centering. It has a "shower feed" design for getting solution to the floor.

4300B BRUSHES

56505946 - Union Mix
 56505944 - Prolene
 56505942 - Dyna Grit 80
 56505947 - MidGrit 240
 56505940 - Short Trim Pad Holder
 56505195 - Pad Retainer for 56505940
 56505945 - ProLite
 56505941 - Magna Grit 46
 56505948 - MidLite Grit 180 (std)
 56505943 - AgLite Grit 500

4800B BRUSHES

56505786 - Union Mix
 56505784 - Prolene
 56505782 - Dyna Grit 80
 56505787 - MidGrit 240
 56505780 - Short Trim Pad Holder
 56505195 - Pad Retainer for 56505940
 56505785 - ProLite
 56505781 - Magna Grit 46
 56505788 - MidLite Grit 180 (std)
 56505783 - AgLite Grit 500

DISC BRUSH APPLICATION GUIDE (SUGGESTION ONLY)

Application	46 Grit	80 Grit	180 Grit	240 Grit	500 Grit	Prolene	Prolite	Union Mix
Stripping:								
Concrete	X	X						
Terrazzo	X	X						
Ceramic/Quarry tile		X						
Vinyl tile		X						
General Scrubbing:								
Concrete	X	X	X	X		X		
Terrazzo			X	X	X	X		
Ceramic/Quarry tile			X	X	X	X		
Marble					X		X	
Vinyl tile			X		X	X		
Raised-rubber tile					X		X	
Polishing:								
Raised Disc Tile								X
Marble								X
Vinyl tile								X



Advance

14600 21st Avenue North
Plymouth, MN 55447-3408

www.advance-us.com

Phone: 800-989-2235

Fax: 800-989-6566

©2011 Nilfisk-Advance, Inc.

A Nilfisk-Advance Brand