

CARPETRIEVER

MODEL NO. 220
220-5
280A
280A-5

FORM NO.: 042 005

APRIL 15, 1978

THIS PARTS LIST COVERS ALL 28
MODELS AFTER SERIAL NO. 473 770

PARTS LIST

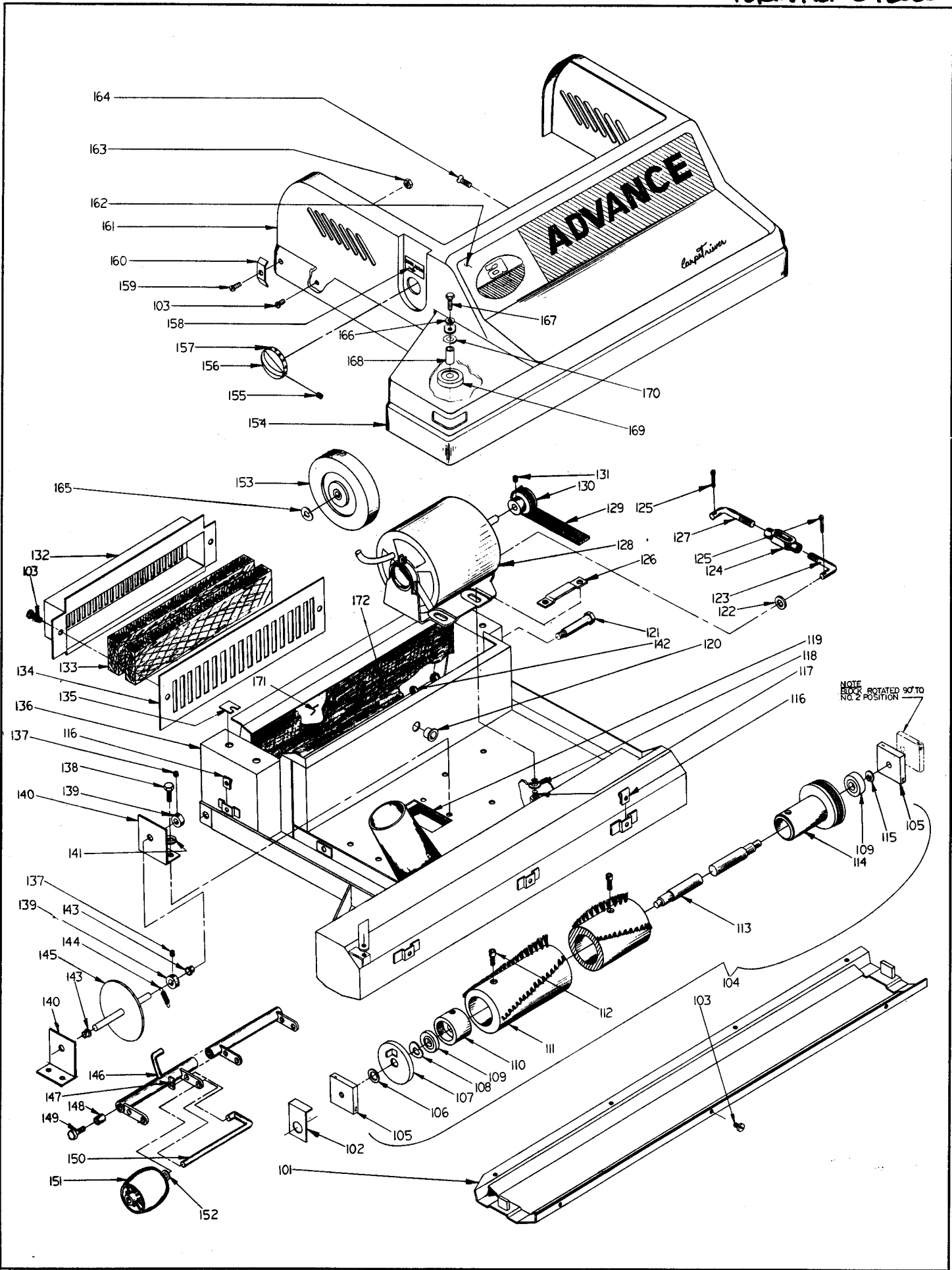


The  **Advance Machine Company**

We build cleaning machines that are all business.
ADVANCE MACHINE COMPANY, Spring Park, Minnesota 55384
ADVANCE MACHINE COMPANY, CANADA, LTD., 45 Iron Street, Rexdale, Ontario, Canada
ADVANCE INTERNATIONAL, INC., Parc de L'Europe, Luxembourg

INDEX FOR FORM NUMBER 042005

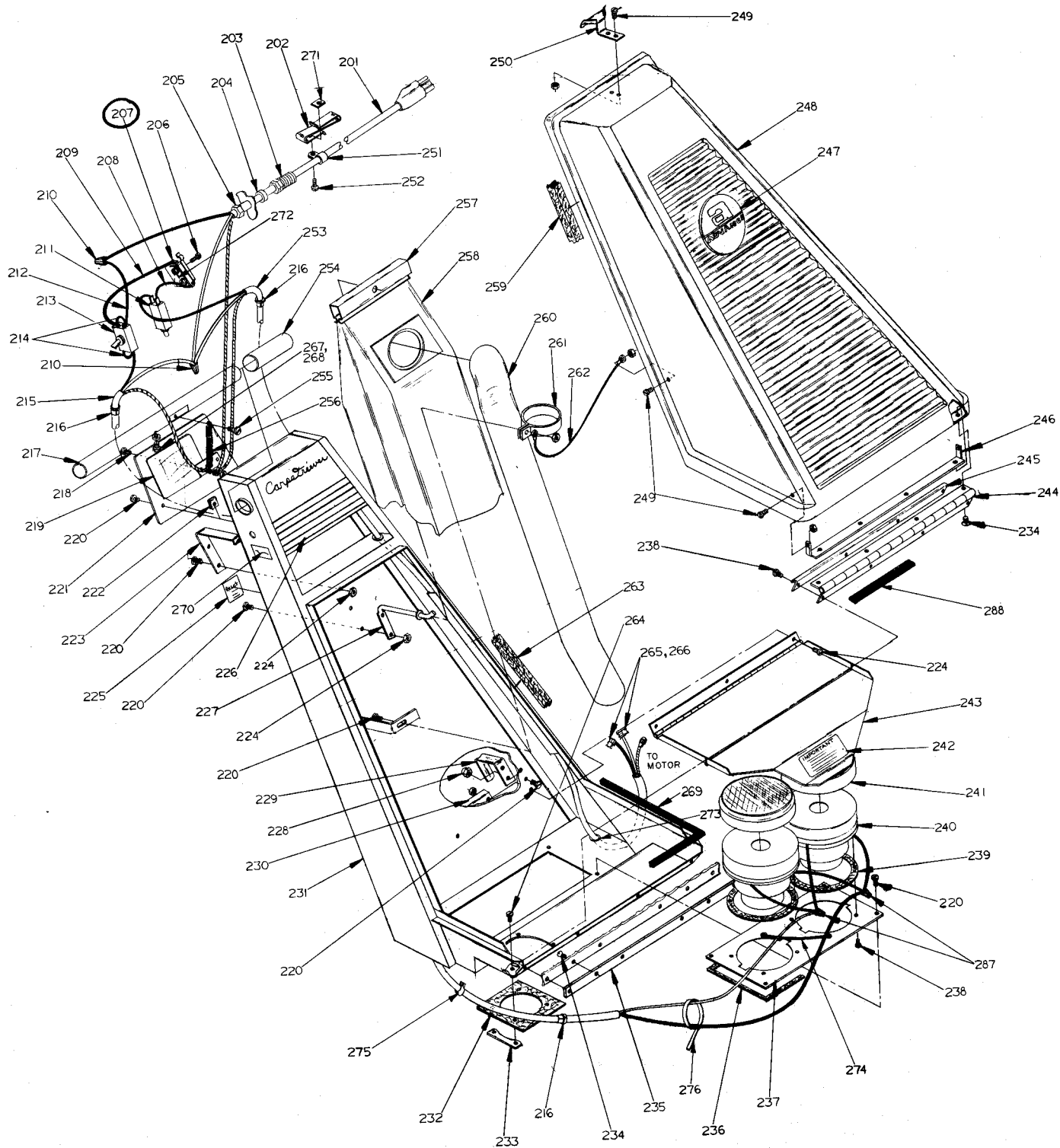
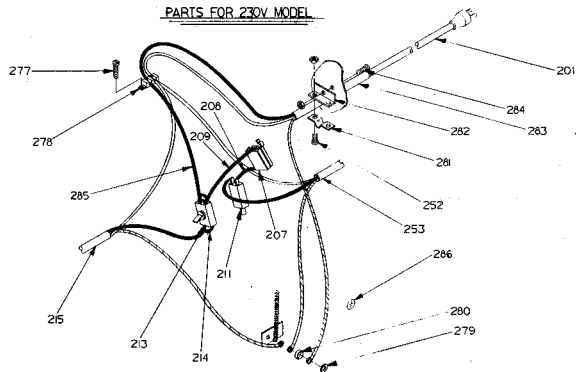
<u>Description</u>	<u>Location</u>	<u>Page</u>
Base	B9	1
Handle	B11	3
Motor, Vacuum	B13	5



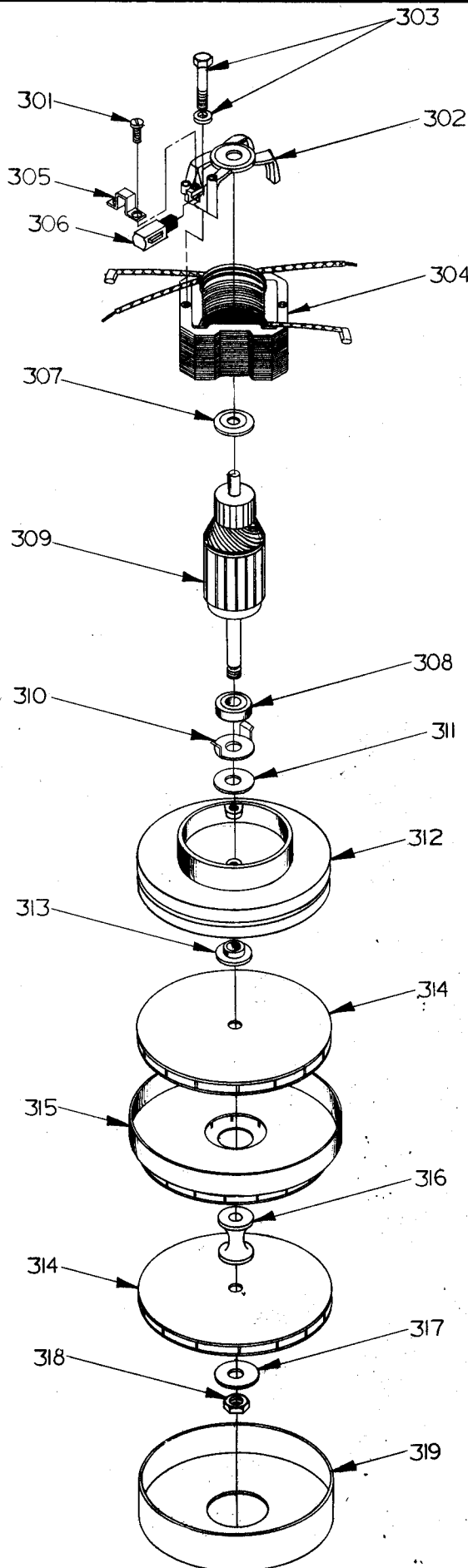
BASE ASSEMBLY

ITEM	PART NO.	QTY.	DESCRIPTION	ITEM	PART NO.	QTY.	DESCRIPTION
101	331 010	1	SHOE, 22"	153	331 098	2	WHEEL, 22" <i>Bearings</i>
	330 590	1	SHOE, 28"		330 607	2	WHEEL, 28" <i>330 621</i>
102	330 600	2	SPACER, Shoe 28" Only	154	331 007	1	BUMPER, 22"
103		11	SCREW, Pan Hd. #10-24 X 1/2		330 647	1	BUMPER, 28"
104	331 056	1	BRUSH ASSEMBLY, 22"	155		1	SCREW, Socket Set 8-32 X 5/16
	330 568	1	BRUSH ASSEMBLY, 28"	156	324 502	1	KNOB
105	330 515	2	BLOCK, Bearing (apa)	157	023 288	1	DECAL, Knob
106		A.R.	WASHER, Flat 7/16	158	023 290	1	DECAL, Brush Adjustment
107	331 064	1	GUARD, String, 22"	159		3	SCREW, Oval Hd. 6-32 X 5/16
	330 565	1	GUARD, String, 28"	160	244 846	3	CLIP
108	155 381	1	WASHER, Bowed	161	331 004	1	SHROUD ASSEMBLY, 22"
109	372 773	2	BEARING, Ball (apa)		330 533	1	SHROUD ASSEMBLY, 28"
110	330 557	1	BUSHING, Shaft, 28" Only	162	023 232	1	DECAL, CARPETRIEVER, 22"
111	331 058	1	BRUSH, 22" (apa)		023 232	1	DECAL, CARPETRIEVER, 28"
	330 522	1	BRUSH, 28" (apa)	163		3	NUT, Hex #6-32
112		2	SCREW, Socket Cap, 1/4-20 X 3/8, 22"	164		2	SCREW, Flat Hd. 10-24 X 1/4
		4	SCREW, Socket Cap 1/4-20 X 1/2, 28"	165	155 411	2	WASHER, Bowed
113	331 060	1	SHAFT, Brush, 22"	166		1	WASHER, Lock 1/4, 28" Only
	330 560	1	SHAFT, Brush, 28"	167		1	SCREW, Hex Hd. 1/4-20 X 1 1/2, 28" Only
114	331 062	1	SHEAVE, 22"	168	471 220	1	BUSHING, 28" Only
	330 554	1	SHEAVE, 28"	169	324 499	1	WHEEL, 28" Only
115	217 999	1	RETAINING RING	170	385 358	1	WASHER, 28" Only
116	328 855	5	NUT, Speed	171	331 073	1	PLATE - 22"
117		4	SCREW, Hex Hd. 5/16-18 X 1/2		330 623	1	PLATE - 28"
118		4	WASHER, Lock 5/16	172	331 071	1	FOAM - 22"
119	331 091	1	NUT, Plate, 22" Only		330 577	1	FOAM - 28"
120	327 409	1	BUSHING, Nylon				
121	331 074	2	AXLE, 22"				
	520 845	2	AXLE, 28"				
122		1	WASHER, Flat 1/4				
123	350 109	1	ROD LINKAGE				
124	206 814	1	TURNBUCKLE				
125		2	PIN, Cotter 1/16 X 3/4				
126	218 065	2	NUT, Plate				
127	331 093	1	ROD LINKAGE, 22"				
	350 079	1	ROD LINKAGE, 28"				
128	238 147	1	MOTOR, 115V/60HZ				
	238 155	1	MOTOR, 230V/50HZ				
129	331 100	1	BELT, 22"				
	327 476	1	BELT, 28"				
130	327 131	1	SHEAVE, Motor				
131		1	SCREW, Socket Set 5/16-18 X 5/16				
132	331 012	1	GRILLE, 22"				
	330 571	1	GRILLE, 28"				
133	331 070	2	FILTER, 22"				
	330 573	2	FILTER, 28"				
134	331 128	1	GRILLE, 22" Only				
135	331 099	A.R.	SHIM				
136	330 958	1	BASE, 22"				
	330 524	1	BASE, 28"				
137		2	SCREW, Socket Hd. #10-24 X 3/16				
138		4	SCREW, Pan Hd. 1/4-20 X 3/8, 22"				
		4	SCREW, Hex Hd. 3/8-16 X 5/8, 28"				
139	331 076	2	BUSHING				
140	331 078	2	ANGLE				
141		4	WASHER, Lock 3/8				
142		2	NUT, Hex 5/16-18 - 22" Only				
143	329 098	2	BUSHING, Nylon				
144	330 642	2	SPRING				
145	331 018	1	CAM, 22"				
	330 593	1	CAM, 28"				
146	330 992	1	BRACKET, 22"				
	330 613	1	BRACKET, 28"				
147	325 227	3	NUT, Stud				
148	321 532	2	BUSHING				
149		2	SCREW, Hex Hd. 1/4-20 X 3/4				
150	325 224	2	PIN, Roller				
151	325 244	4	ROLLER				
152	150 150	2	WASHER, Bowed				

PARTS FOR 230V MODEL



ITEM	PART NO.	QTY.	DESCRIPTION	ITEM	PART NO.	QTY.	DESCRIPTION
201	331 102	1	CORD SET, 115V - 22"	252		5	SCREW, Pan Hd. 8-32 X 3/8
	300 227	1	CORD SET, 230V - 22"	253	331 106	1	CORD
	300 871	1	CORD SET, 115V - 28"	254	514 085	2	GRIP HANDLE
	382 331	1	CORD SET, 230V - 28"	255		1	SCREW, Pan Hd. 8-32 X 1/4
202	300 187	1	CLIP, Belt	256	328 790	1	SPRING
203	162 736	1	STRAIN RELIEF, 115V Only	257	320 676	1	CLAMP, Bag - 22"
204	200 433	1	WASHER, 115V Only		330 608	1	CLAMP, Bag - 28"
205	200 441	1	NUT, 115V Only	258	331 094	1	BAG, Collector - 22"
206		2	SCREW, Rd. Hd. #4-40 X 7/8		330 589	1	BAG, Collector - 28"
207	171 183	1	SWITCH ASSEMBLY	259	331 134	1	GASKET
208	330 876	1	WIRE ASSEMBLY	260	331 008	1	TUBE, Inlet - 22"
209	470 785	1	WIRE ASSEMBLY		330 667	1	TUBE, Inlet - 28"
210	321 737	2	WIRE NUT, 115V Only	261	331 107	1	CLAMP - 22"
211	329 177	1	PROTECTOR, Overload, 115V 6.0		330 625	1	CLAMP - 28"
	329 185	1	PROTECTOR, Overload, 230V	262	325 240	1	CABLE ASSEMBLY
212	331 108	1	WIRE ASSEMBLY, 115V Only	263	331 059	1	GASKET
213	200 340	1	SWITCH	264		4	SCREW, Pan Hd. 6-32 X 5/16
214	331 110	1	WIRE ASSEMBLY	265	321 311	2	RECEPTABLE FLAG
215	331 112	1	CORD ASSEMBLY	266	321 338	2	INSULATOR FLAG
216	327 409	6	BUSHING, Nylon	267	284 079	1	SCREW
217	171 138	1	TUBE, Handle, 22"	268		1	WASHER, Lock 5/16
	330 804	1	TUBE, Handle, 28"	269	472 083	1	GASKET, 28" Only
218		1	SCREW, Pan Hd. 8-32 X 1/2 - 115V	270	015 314	1	DECAL, Warning
		1	SCREW, Pan Hd. 8-32 X 3/4 - 230V	271	322 504	1	NUT, Speed
219	023 286	1	DECAL, Wiring	272	171 118	1	BRACKET, 22" Only
220		17	SCREW, Pan Hd. 10-24 X 3/8 W/Shakeproof Washer	273	320 358	2	STRAIN RELIEF
221	331 084	1	PANEL, Cover - 22"	274	331 116	1	WIRE ASSEMBLY
	330 783	1	PANEL, Cover - 28"	275	300 152	1	CLAMP, Cable
222	255 874	4	NUT, Speed - 22" Only	276	325 219	2	CABLE TIE
223	331 087	1	LATCH, - 22"	277		2	SCREW, Fillister Hd. 6-32 X 3/8
	330 581	1	LATCH, - 28"	278	324 471	2	TERMINAL BLOCK
224		4	NUT, Hex 10-24		324 470	1	END CAP
225	014 362	1	DECAL, Reset	279	325 276	1	WASHER
226	023 284	1	DECAL, Carpetriever 22"	280	325 274	1	WASHER, Cupped
	023 241	1	DECAL, Carpetriever 28"	281	300 542	1	CLAMP, Cord
227	331 066	1	HOOK, 22"	282	300 540	1	BRACKET
	330 579	1	HOOK, 28"	283	300 601	1	TUBE
228		5	NUT, Acorn 10-24, 28" Only	284	160 199	1	SCREW
229	171 133	1	HOOK, Cord	285	331 114	1	WIRE ASSEMBLY
230	331 130	1	ANGLE - 22" Only	286	014 119	3	DECAL, Ground
231	331 022	1	HANDLE - 22"	287	350 141	2	WIRE NUT, 115V
	330 722	1	HANDLE - 28"		321 737	2	WIRE NUT, 230V
232	331 055	1	GASKET - 22"	288	200 778	1	GASKET
	330 631	1	GASKET - 28"				
233	331 057	1	NUT PLATE - 22"				
	330 634	1	NUT PLATE - 28"				
234		5	SCREW, Flat Hd. 10-24 X 3/8				
235	331 088	1	NUT PLATE - 22"				
	330 583	1	NUT PLATE - 28"				
236	200 754	1	GASKET				
237	331 082	1	PLATE TSB 466, G-12				
238		8	SCREW, Pan Hd. 10-24 X 1/2				
239	209 325	2	GASKET, Motor				
240	325 096	2	MOTOR, 115V				
	300 411	2	MOTOR, 230V				
241	384 898	2	FILTER (999)				
242	023 252	1	DECAL, Filter				
243	331 050	1	TRAY, 22" TSB 466, G-12				
	330 622	1	TRAY, 28"				
244	331 072	1	HINGE - 22"				
	330 574	1	HINGE - 28"				
245	331 101	1	ANGLE - 22"				
	330 605	1	ANGLE - 28"				
246	331 118	1	NUT PLATE - 22"				
	330 615	1	NUT PLATE - 28"				
247	015 326	1	DECAL, Advance				
248	331 097	1	SHROUD ASSEMBLY - 22"				
	330 812	1	SHROUD ASSEMBLY - 28"				
249		4	SCREW, Pan Hd. 6-32 X 5/16 W/Nut				
250	325 250	1	LATCH, Strike				
251	342 319	1	CLAMP, Cord, 115V				
	300 152	1	CLAMP, Cord, 230V				



ITEM	PART NO.	Qty.	DESCRIPTION
301	203 263	4	SCREW
302	300 406	1	BRACKET, Commutator End
303	325 090	2	SCREW, 115V
	203 494	2	SCREW, 230 V
304	228 377	1	FIELD, 115V
	208 090	1	FIELD, 230V
305	207 285	2	CLAMP
306	203 518	2	BRUSH MECHANISM
307	228 388	1	WASHER, Fiber
308	228 051	1	BEARING, Ball
309	325 084	1	ARMATURE, 115
	203 549	1	ARMATURE, 230
310	203 471	1	WASHER, Clamping
311	202 630	1	WASHER, Felt 115V
	203 459	1	WASHER, Felt 230V
312	325 094	1	SHELL & BRACKET ASSEMBLY 115V
	301 184	1	SHELL & BRACKET ASSEMBLY 230V
313	203 424	1	SPACER
314	208 191	1	FAN, Rotating
315	207 268	1	FAN, Stationary 230V Only
316	203 516	1	SPACER, 230V Only
317	203 432	1	WASHER
318	203 440	1	NUT
319	325 088	1	FAN SHELL, 115V
	203 491	1	FAN SHELL, 230V

