

CARPETRIEVER 28

MODEL C280

C280-J

THIS PARTS LIST IS FOR MACHINES
AFTER SERIAL NUMBER 291569.

PARTS LIST



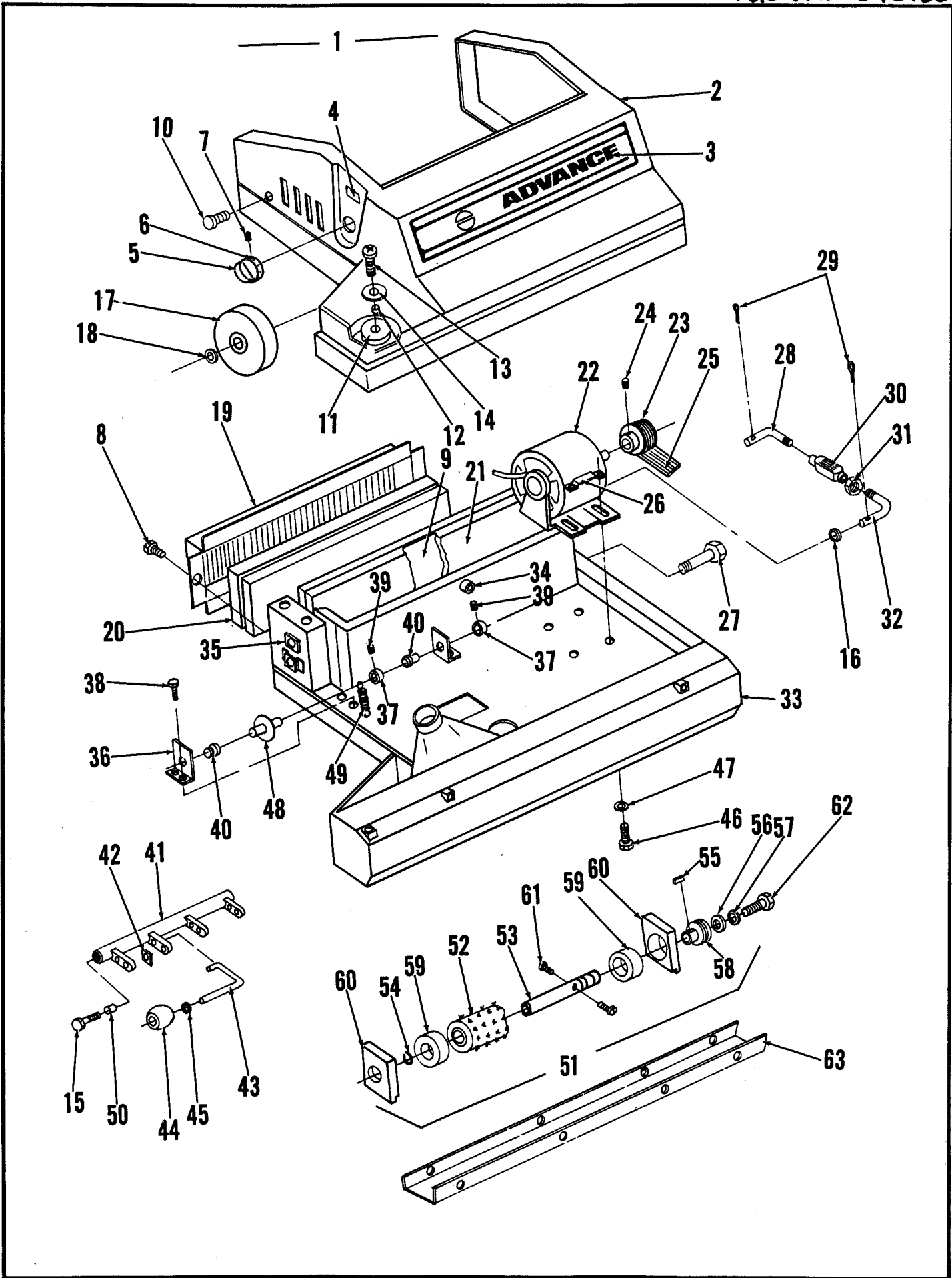
ADVANCE[®]
MACHINE COMPANY

INTERNATIONAL HEADQUARTERS, Plymouth, MN 55447-3408
EUROPE, Llantrisant, Pontyclun, Mid-Glamorgan CF7 8YZ Wales, United Kingdom
CANADA, 1295 Crestlawn Drive, Mississauga, Ontario L4W 1A9



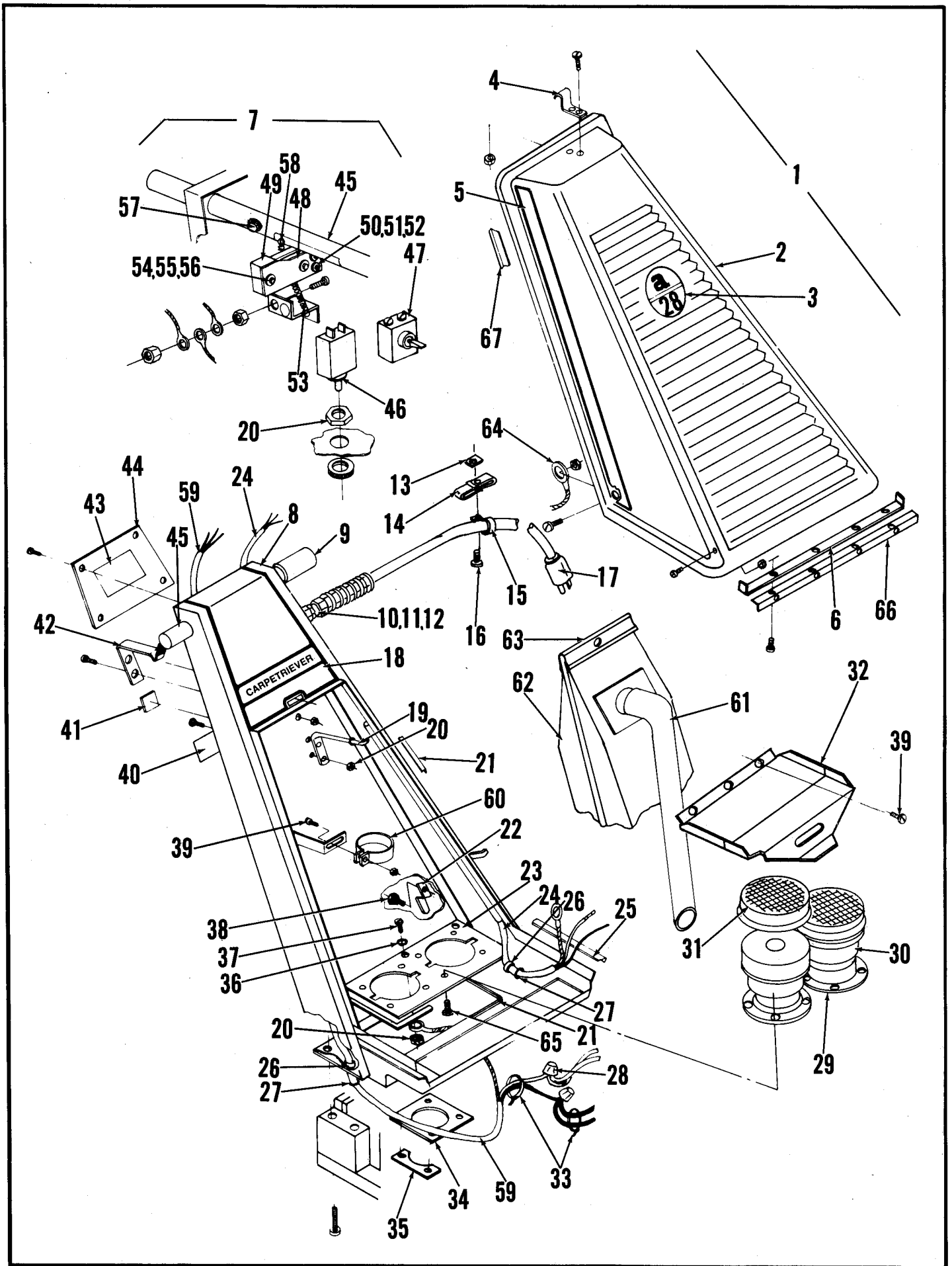
INDEX FOR FORM NUMBER 042185

<u>Description</u>	<u>Location</u>	<u>Page</u>
Base	D8	1
Handle	D10	3
Motor, Vacuum	D12	5
Wiring Diagram	D13	6



BASE ASSEMBLY

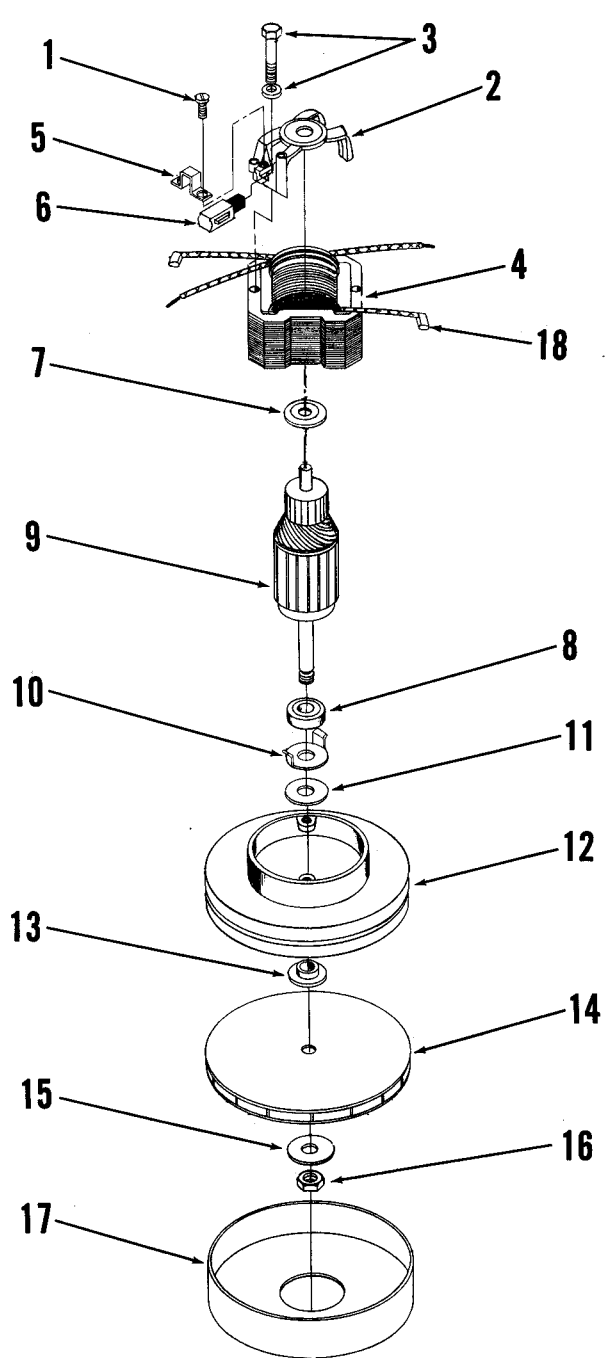
I	PART #	QTY	DESCRIPTION	I	PART #	QTY	DESCRIPTION
1	330333	1	SHROUD ASSY,BASE	59	372773	2	BEARING
2	330334	1	SHROUD, BASE	60	322420	2	BLOCK, BEARING
3	014285	1	DECAL, ADVANCE	61		2	SCREW, SOCKET SET #10-24 X 1/2
4	023290	1	DECAL, BRUSH ADJUST	62		1	SCREW, HEX HD. 5/16-18 X 5/8
5	324502	1	KNOB, BRUSH ADJUST	63	330677	1	SHOE WELDMENT
6	023288	1	DECAL, KNOB				
7		1	SCREW, SOCKET SET #8-32 X 5/16				
8		13	SCREW, PAN HD. #10-24 X 3/8				
9	330623	1	PLATE				
10		4	SCREW, FLAT HD. #10-24 X 3/8				
11	330683	1	WHEEL, 2-1/2"				
12	330741	1	BUSHING				
13		1	SCREW, HEX HD. 1/4-20 X 1-1/4				
14	330743	1	CAP				
15		2	SCREW, HEX HD. 1/4-20 X 3/4				
16		1	WASHER				
17	330607	2	WHEEL				
18	155411	2	WASHER, SPRING .515				
19	330571	1	GRILL				
20	330573	1	FILTER				
21	330577	1	FOAM, SOUND REDUCING				
22	238147	1	MOTOR, 115V/60HZ.				
23	330681	1	SHEAVE				
24		1	SCREW, SOCKET SET 1/4-20 X 5/16				
25	331100	1	BELT, POLY-V				
26	218065	1	NUTPLATE				
27	520845	2	AXLE				
28	330686	1	ROD LINKAGE				
29		2	PIN, COTTER 1/16 X 3/4				
30	206814	1	TURNBUCKLE				
31		1	NUT, HEX				
32	350109	1	ROD LINKAGE				
33	330632	1	BASE WELDMENT				
34	327409	1	BUSHING, NYLON				
35	328855	2	SPEEDNUTS				
36	331078	2	ANGLE				
37	331076	2	BUSHING				
38		4	SCREW, PAN HD. 3/8-16 X 5/8				
39		2	SCREW, SOCKET SET #10-24 X 3/16				
40	329098	2	BUSHING, NYLON				
41	330613	1	BRACKET				
42	325227	2	NUT, STUD				
43	325224	2	PIN, ROLLER				
44	325244	4	ROLLER				
45	150150	2	WASHER, BOWED				
46		4	SCREW, HEX HD. 5/16-18 X 1/2				
47		4	LOCKWASHER, SPRING 5/16				
48	330717	1	CAM				
49	330642	2	SPRING				
50	321532	2	BUSHING				
51	330666	1	BRUSH ASSY, C/O				
52	330669	1	BRUSH				
53	330671	1	SHAFT ASSY				
54	320153	1	LOADING SPRING				
55	109258	1	KEY				
56		1	WASHER, 5/16				
57		1	LOCKWASHER, 5/16				
58	330675	1	PULLEY				



HANDLE ASSY

I	PART #	QTY	DESCRIPTION	I	PART #	QTY	DESCRIPTION
1	330337	1	SHROUD ASSY, HANDLE	54		2	SCREW
2	330338	1	SHROUD, HANDLE	55		2	WASHER, SHPRF #4
3	014287	1	DECAL, ADVANCE LOGO	56		2	NUT, HEX #4-40
4	333339	1	LATCH, STRIKE	57	234079	1	SCREW AND LOCKWASHER 5/16
5	014290	1	DECAL, STRIPE LT	58		1	SCREW
	014291	1	DECAL, STRIPE RT	59	331112	1	CORD ASSY
6	330340	1	NUTPLATE	60	330625	1	CLAMP TUBE
7	330350	1	HANDLE ASSY	61	330346	1	TUBE, INLET
8	330341	1	HANDLE WELDMENT	62	330589	1	BAG, COLLECTOR - CLOTH
9	514085	2	GRIPS, HANDLE		330690	6PK	BAG, COLLECTOR - PAPER
10	162736	1	STRAIN RELIEF	63	330608	1	CLAMP, BAG
11		1	WASHER	64	325240	1	CABLE ASSY
12		1	NUT	65		8	SCREW
13	322504	1	SPEEDNUT	66	330347	1	HINGE
14	300187	1	CLIP, BELT	67	385448	1	GASKET
15	342319	1	CLAMP, CORD				
16		5	SCREW, PAN HD. #8-32 X 3/8				
17	331430	1	CORD SET 100V				
	330871	1	CORD SET 115V				
18	014286	1	DECAL, HANDLE				
19	330579	1	HOOK				
20		7	NUT HEX #10-24				
21	200754	1	GASKET				
22	330368	1	HOOK, CORD				
23	331082	1	PLATE				
24	331106	1	CORD, DRIVE MOTOR				
25	330745	1	GASKET				
26	327409	6	BUSHING, NYLON				
27	162981	1	STRAIN RELIEF				
28	321737	4	WIRE NUT				
29	209325	2	GASKET, VAC MOTOR				
30	325096	2	VAC MOTOR				
	203518		BRUSH MECHANISM				
31	384898	2	FILTER, VAC MOTOR				
32	325219	2	CABLE TIE				
33	330351	1	TRAY WELDMENT				
34	330631	1	GASKET				
35	330634	1	NUT PLATE				
36		13	WASHER SHPRF #10				
37		1	SCREW				
38		5	NUT, ACORN				
39		19	SCREW				
40	014362	1	DECAL, RESET				
41	015314	1	DECAL, WARNING				
42	330343	1	LATCH				
43	023338	1	DECAL, WIRING 100V				
	023286	1	DECAL, WIRING 115V				
44	330783	1	COVER				
45	330898	1	TUBE, HANDLE				
46	329185	1	CIRCUIT BREAKER 100V				
	329177	1	CIRCUIT BREAKER 115V				
47	200340	1	SWITCH, TOGGLE				
48	330900	1	PLATE, SWITCH				
49	388019	1	SWITCH, SNAP				
50		3	SCREW				
51		2	WASHER, SHPRF #8				
52		4	NUT, HEX #8-32				
53	328790	1	SPRING				

VACUUM MOTOR

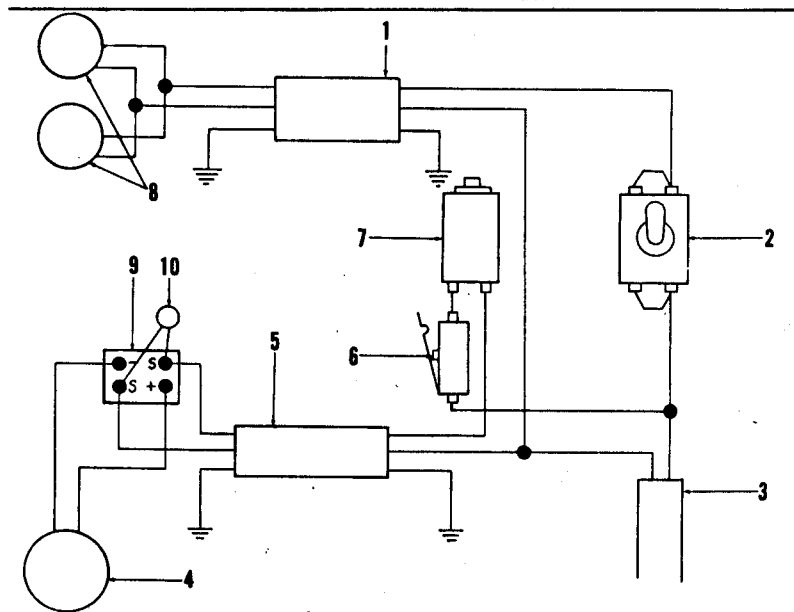


ITEM	PART NO	QTY	DESCRIPTION
1	203 263	4	SCREW
2	300 406	1	BRACKET, COMMUTATOR END
3	325 090	2	SCREW & WASHER
4	228 377	1	FIELD 115V
	228 389	1	FIELD 230V
5	207 285	2	CLAMP
6	203 518	2	BRUSH MECHANISM
7	228 388	1	WASHER, FIBER
8	228 051	1	BEARING, BALL
9	325 084	1	ARMATURE 115V
	325 085	1	ARMATURE, 230V
10	203 471	1	WASHER, CLAMPING
11	202 630	1	WASHER, FELT
12	325 094	1	BRACKET & SHELL 115V
	325 095	1	BRACKET & SHELL 230V
13	203 424	1	SPACER
14	208 191	1	FAN, ROTATING
15	203 432	1	WASHER
16	203 440	1	NUT
17	325 088	1	FAN SHELL 115V
	325 089	1	FAN SHELL 230V
18	203 584	2	CLIP, FIELD

WIRING DIAGRAM

I	PART #	QTY	DESCRIPTION
1	331112	1	CORD ASSY
2	200340	1	SWITCH, TOGGLE
3	331430	1	CORD SET 100V
	330871	1	CORD SET 115V
4	228428	1	DRIVE MOTOR 100V
	238147	1	DRIVE MOTOR 115V
5	331106	1	CORD ASSY
6	388019	1	SWITCH, SNAP
7	329185	1	CIRCUIT BREAKER 100V
	329177	1	CIRCUIT BREAKER 115V
8	325096	2	VAC MOTOR
9	180162	1	RECTIFIER
10	387554	1	VARISTOR

100 VOLT WIRING DIAGRAM



115 VOLT WIRING DIAGRAM

