

# PARTS LIST

---

**Advance**

**Carpetriever™ 28XP**

**Models 331303, 331300, 331305**

---

This parts list is for machines after serial number 434645



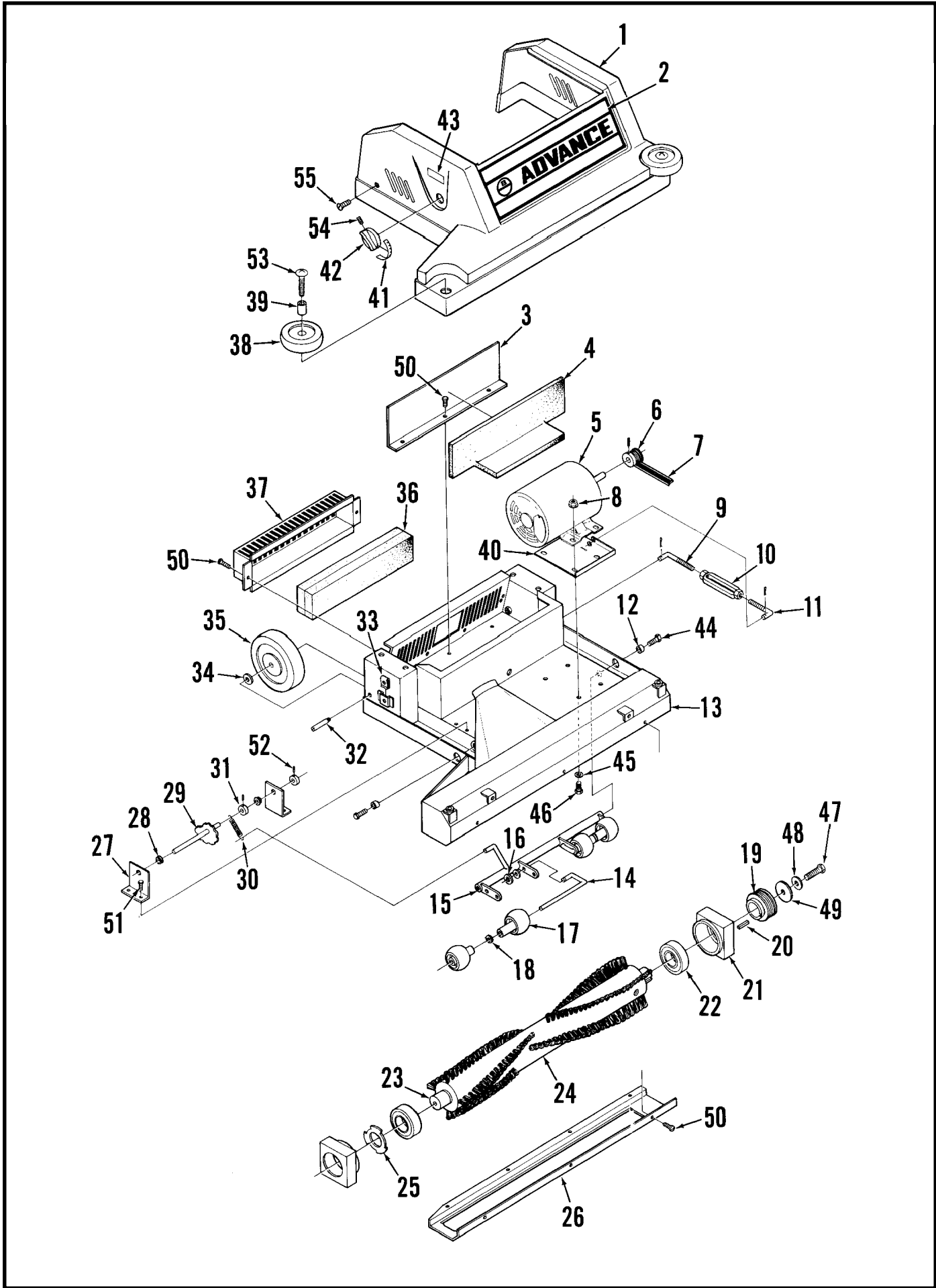
# TABLE OF CONTENTS

<u>DESCRIPTION</u>	<u>PAGE</u>
Base Assembly .....	1-2
Handle - Front .....	3-4
Handle - Rear .....	5-6
Shroud .....	7-8
Wiring Diagrams .....	9-10

## WHEN ORDERING PARTS

- \* Use the 6 digit numbers from the "Part No." columns in this parts list.
- \* Specify the model and serial number of the machine.
- \* Use the space below to record the model and serial number for future reference.

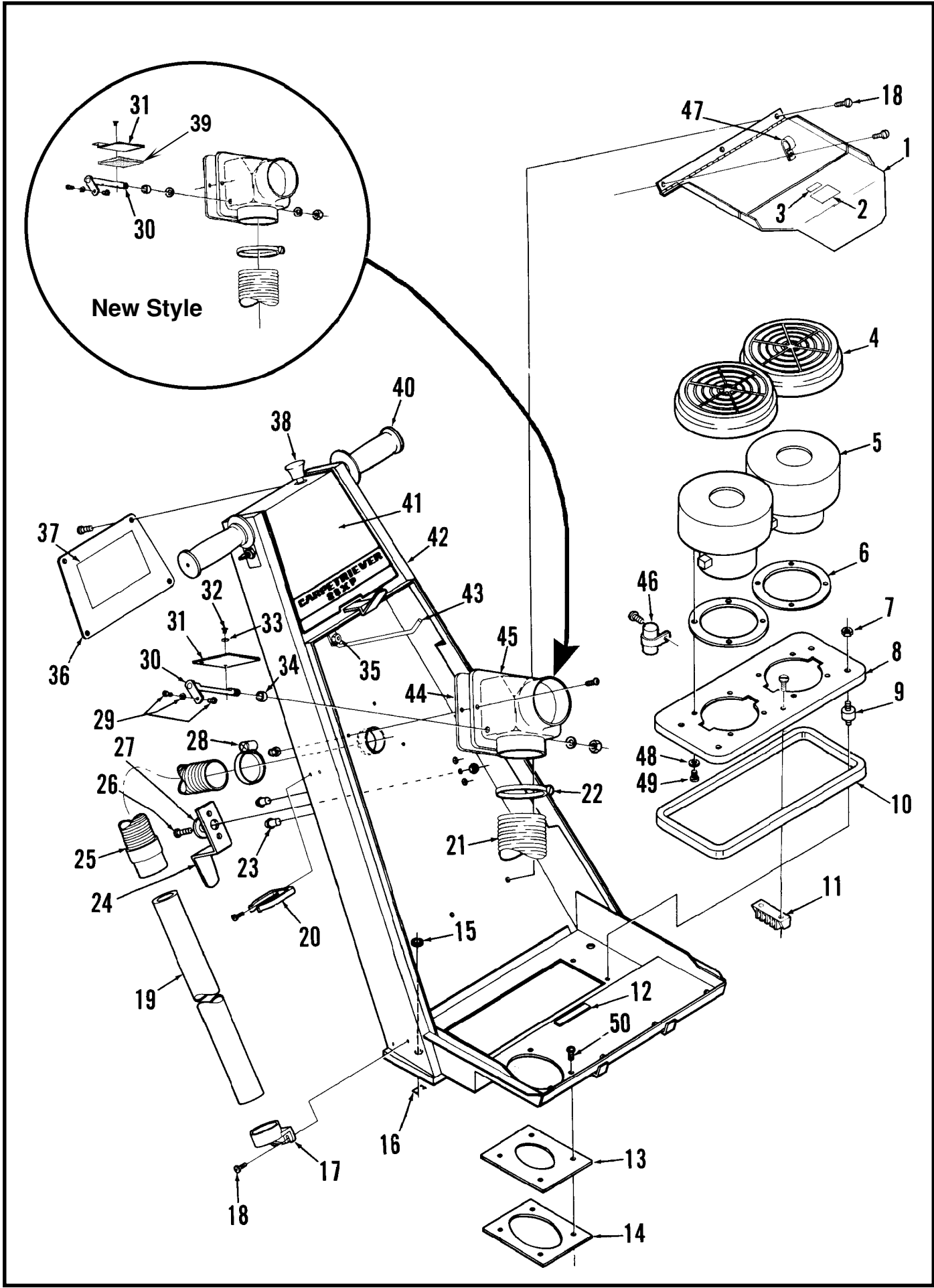
Model \_\_\_\_\_ Serial No. \_\_\_\_\_



## BASE ASSEMBLY

Item	Part No.	Qty	Description	Item	Part No.	Qty	Description
	330397	1	Shroud Assembly (#1, 2, 43)	26	330677	1	Shoe
1	330334	1	Base Shroud	27	331078	2	Bracket
*	330409	1	Button Plug <b>Note #1</b>	28	329098	2	Bushing
2	014285	1	Decal, Advance	29	330717	1	Cam
3	330314	1	Plate	30	330642	1	Spring
4	330577	1	Foam	31	331076	2	Collar
5	228435	1	Motor 100V	32	520845	2	Axle
	238160	1	Motor 115V	33	328855	2	Nut
	238155	1	Motor 230V	34	155373	2	Washer
6	330681	1	Sheave	35	330607	2	Wheel
7	331100	1	Belt	36	330573	2	Filter
8		4	5/16-18 Nut	37	330303	1	Grill
9	331093	1	Rod	38	363855	2	Wheel
10	206814	1	Turnbuckle	39	360139	2	Bushing
11	350109	1	Rod	40	238162	1	Motor Mount
12	321532	2	Bushing	41	023288	1	Decal, Knob
13	330552	1	Base	42	324502	1	Knob
14	325224	2	Pin	43	023290	1	Decal, Brush Adjust
15	330613	1	Bracket	44		2	1/4-20 x 3/4 Screw
16	325227	2	Nut	45		4	5/16 Lock Washer
17	323086	4	Roller	46		4	5/16-18 x 1/2 Screw
18	150150	2	Washer	47		1	5/16-18 x 5/8 Screw
19	330675	1	Sheave	48		1	5/16 Lock Washer
20	109258	1	Key	49		1	5/16 Flat Washer
21	322420	2	Bearing Block	50		12	#10-24 x 3/8 Screw
22	372773	2	Bearing	51		4	3/8-16 x 5/8 Screw
23	330671	1	Shaft	52		2	#10-24 x 3/16 Screw
24	330669	1	Brush	53		2	1/4-20 x 1 1/4 Screw
	330666	1	Brush Assembly (#19-25, 47-49)	54		1	#8-32 x 5/16 Screw
25	320153	1	Load Spring	55		4	#10-24 x 3/8 Screw

**Note #1:** This part is for machines with only (1) wheel, Item # 38.



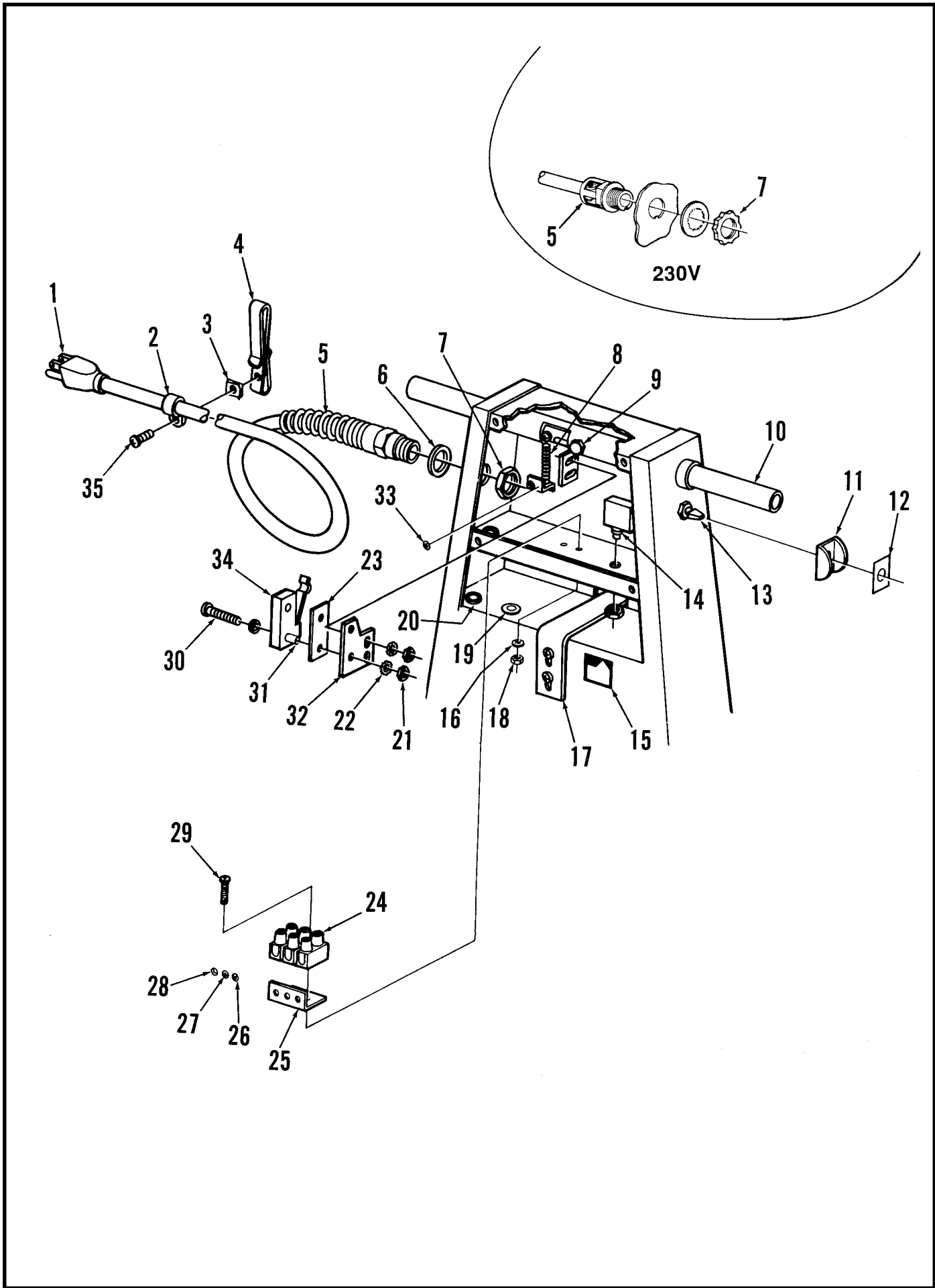
## HANDLE - FRONT

Item	Part No.	Qty	Description	Item	Part No.	Qty	Description
1	331309	1	Tray	28	329145	1	Hose Clamp
2	023252	1	Decal, Filter	29	442445	1	Wire Swivel
	015871	1	Decal, Important (Japan)	30	331320	1	Lever (OBS) ( <b>See Note #1</b> )
3	014029	1	Decal, Caution		331348	1	Lever (new style)
4	384898	2	Filter	31	331302	1	Plate (OBS) ( <b>See Note #1</b> )
5	325096	2	Vacuum Motor 115V		331345	1	Plate (new style)
	203518	2	Carbon Brush Set 115V	32		2	#6-32 x 3/16 Screw
	300411	2	Vacuum Motor 230V	33		2	#6 Shakeproof Washer
	503017	2	Carbon Brush Set 230V	34	232181	1	Bushing
6	209325	2	Gasket	35		6	#10-24 Nut
7		8	1/4-20 Nut	36	330344	1	Cover
8	330348	1	Mounting Plate	37	023286	1	Decal, 115V Wiring
9	478684	4	Mount		023295	1	Decal, 230V Wiring
10	330749	1	Gasket	38	331349	1	Cable ( <b>See Note #2 / TSB 691, G-11</b> )
11	328062	1	Terminal Block	*	331350	1	Cable Support Bracket
12	200754	3'	Gasket Material (90 cm)	*	321559	2	Grommet
13	330631	1	Gasket	39	331352	1	Gasket (used on 331345)
14	330634	1	Nut Plate	40	900248	2	Grip
15	327409	6	Bushing	41	015038	1	Decal, Handle
16	162981	4	Strain Relief	42	331325	1	Handle
17	331301	1	Wand Holder	43	331334	1	Bag Hook
18		13	#10-24 x 3/8 Screw	44	331312	1	Gasket
19	331310	1	Wand	45	331313	1	Housing
20	404336	1	Clamp	46	331150	1	RFI Filter (230V only)
21	331332	1	Hose	47	442011	1	Clamp
*	442011	1	P-Clamp	48		14	#10 Shakeproof Washer
22	352829	2	Hose Clamp	49		8	#10-24 x 1/2 Screw
23	361321	2	Bullet Catch	50		4	#8-32 x 3/8 Screw
24	330368	1	Cord Hook	*	015872	1	Decal, Caution (Japan)
25	323718	1	Hose				
26		1	#10-24 x 3/4 Screw				
27	387678	1	Bushing				

\* = Not Shown

**Note #1:** PN's 331320 & 331302 are obsolete. Order lever weldment kit PN 331342 for replacement, (kit includes new style parts #30, 31 & 51).

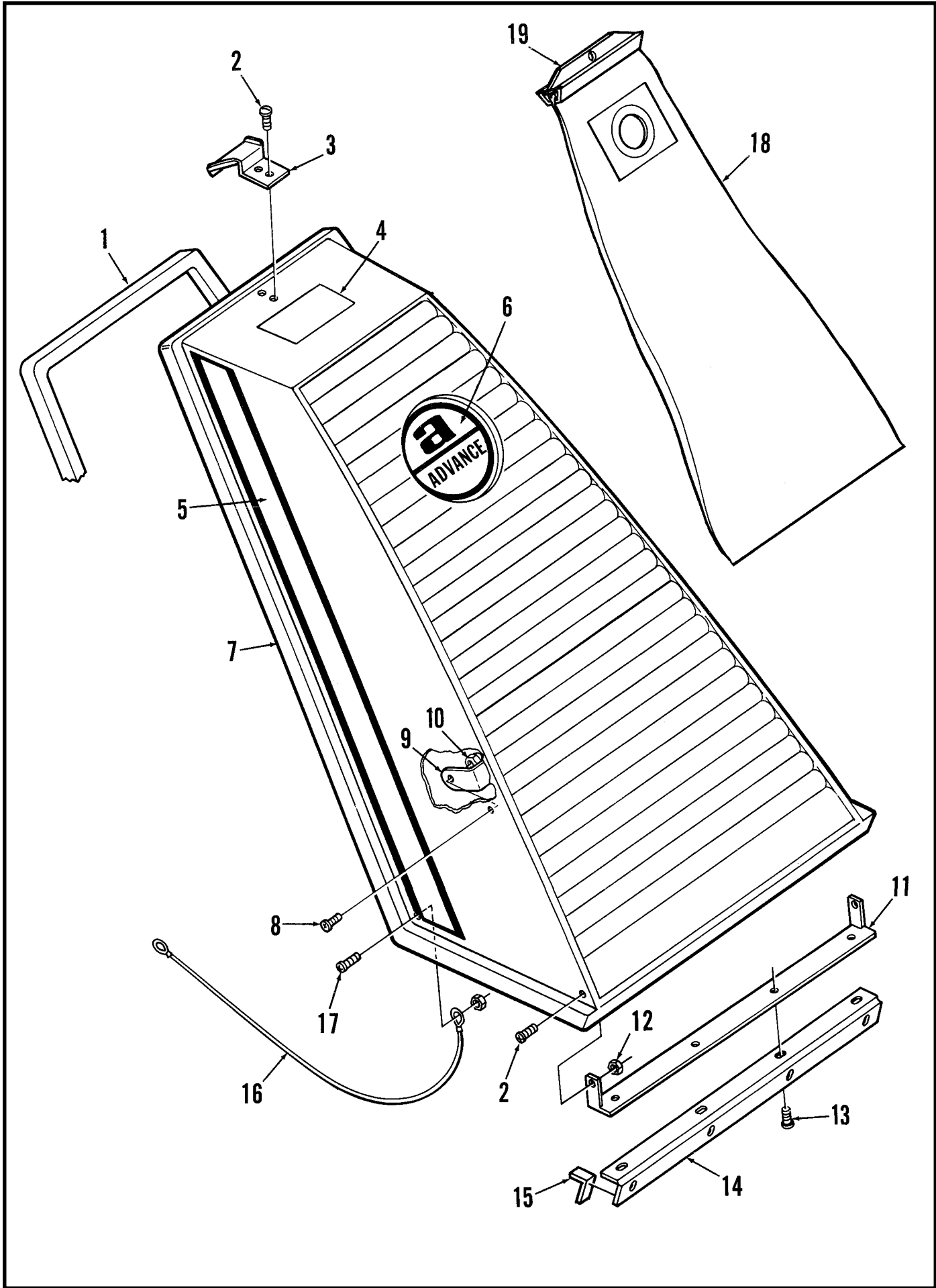
**Note #2:** Enlarge mounting hole to 15/32" (12 mm) when replacing cable on older machines.



**HANDLE - REAR**

Item	Part No.	Qty	Description	Item	Part No.	Qty	Description
1	331430	1	Power Cord 100V	17	330343	1	Latch
	330871	1	Power Cord 115V	18		2	#4-40 Nut (230V only)
	330734	1	Power Cord 230V	19	321559	1	Grommet
2	342319	1	Clamp	20	327409	6	Bushing
3	322504	1	Nut	21		2	#6-32 Nut
4	300187	1	Belt Clip	22		2	#6 Shakeproof Washer
5	162736	1	Strain Relief 115V	23	331023	1	Insulator (230V only)
	183525	1	Strain Relief 230V	24	183523	1	Terminal Block (230V only)
6	200433	1	Washer (115V only)	25	183533	1	Insulator (230V only)
7	200441	1	Nut 115V	26	900231	1	Decal, Symbol "N" (230V only)
	183538	1	Nut 230V	27	900135	1	Decal, Ground (230V only)
8	328790	1	Spring	28	900232	1	Decal, Symbol "L" (230V only)
9		1	1/4-20 x 1/2 Screw	29		2	#4-40 x 7/8 Screw (230V only)
10	330898	1	Tube	30		2	#6-32 x 7/8 Screw
11	200352	1	Switch Guard (115V / 230V)	31	183545	2	Sleeve (230V only)
12	014016	1	Decal, Switch (115V / 230V)	32	330900	1	Plate
13	200340	1	Switch 115V	33	014119	1	Decal, Ground (230V only)
	301636	1	Switch 230V	34	388019	1	Brush Switch
14	329177	1	Brush Circuit Breaker 115V	35		5	#8-32 x 3/8 Screw
	329185	1	Brush Circuit Breaker 230V				
15	014362	1	Decal, Reset				
	015874	1	Decal, Reset (Japan)				
16		2	#4 Shprf Washer (230V only)				

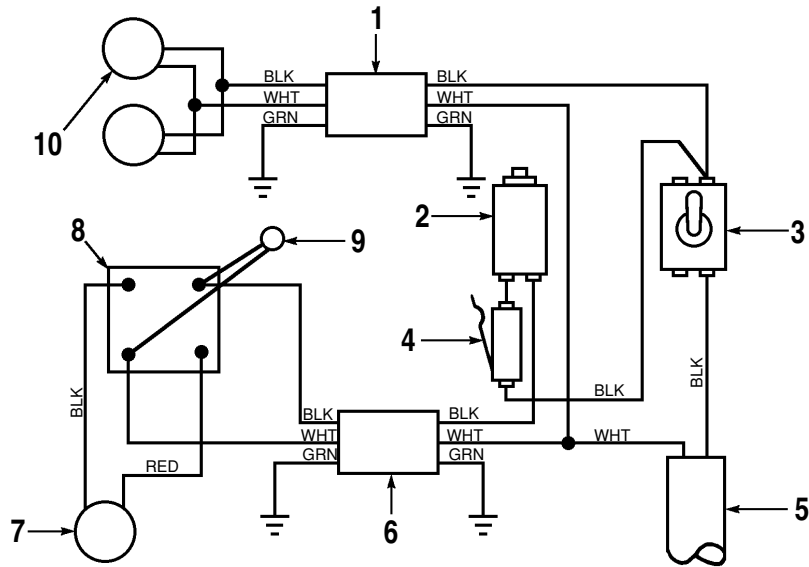




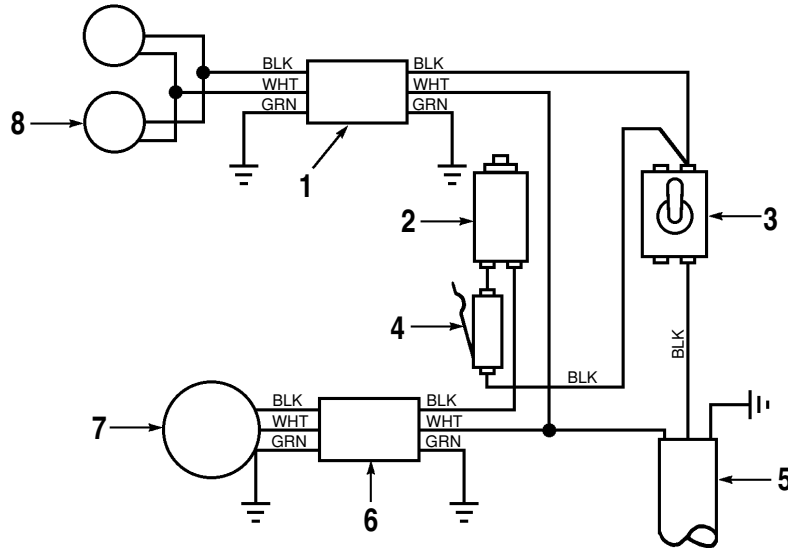
# SHROUD

Item	Part No.	Qty	Description
	331324	1	Shroud Assembly (#1-12)
1	449227	7'	Gasket Material (215 cm)
2		4	#6-32 x 5/16 Screw
3	330339	1	Latch
4	015314	1	Decal, Warning
	017025	1	Decal, Warning (Japan)
5	014291	1	Decal, Right Stripe
	014290	1	Decal, Left Stripe
6	015326	1	Decal, Logo
7	331323	1	Shroud
8		2	#10-24 x 1/2 Screw
9	331318	1	Strap
10		2	#10-24 Nut
11	330340	1	Nut Plate
12		4	#6-32 Nut
13		4	#10-24 x 3/8 Screw
14	330347	1	Hinge
15	330745	1'	Gasket Material (30 cm)
16	330391	1	Wire Rope
17		2	#6-32 x 3/8 Screw
18	330589	1	Cloth Bag
	330690	1	Paper Bag (package of 6) (optional)
19	330608	1	Bag Clip for Cloth Bag

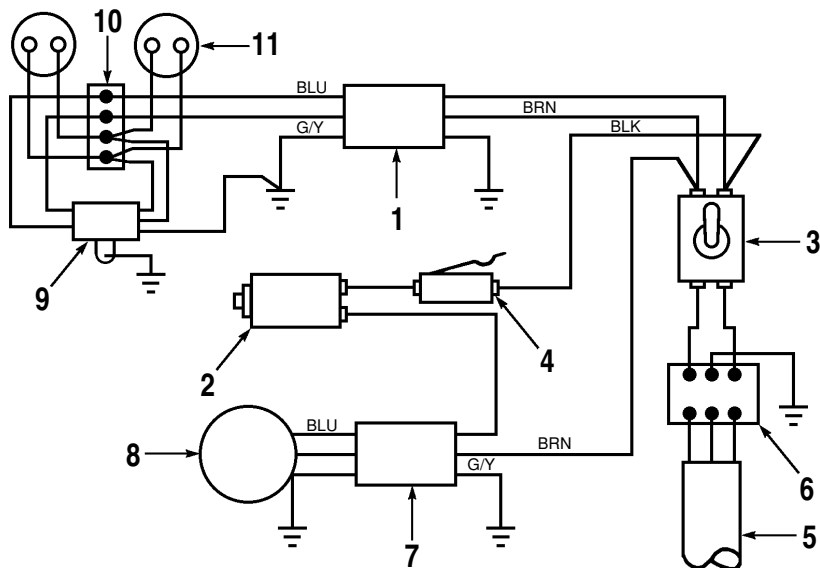
### 100V



### 115V



### 230V



## 100V WIRING DIAGRAM

Item	Part No.	Qty	Description
1	331112	1	Cord Set
2	329185	1	Brush Circuit Breaker
3	200340	1	Main Switch
4	388019	1	Brush Switch
5	331430	1	Cord Set
6	331106	1	Cord Set
7	228429	1	Brush Motor
8	180163	1	Rectifier
9	387554	1	Varistor
10	325096	2	Vacuum Motor

## 115V WIRING DIAGRAM

Item	Part No.	Qty	Description
1	331112	1	Cord Set
2	329177	1	Brush Circuit Breaker
3	200340	1	Main Switch
4	388019	1	Brush Switch
5	330871	1	Cord Set
6	331106	1	Cord Set
7	238160	1	Brush Motor
8	325096	2	Vacuum Motor

## 230V WIRING DIAGRAM

Item	Part No.	Qty	Description
1	331136	1	Cord Set
2	329185	1	Brush Circuit Breaker
3	301636	1	Main Switch
4	388019	1	Brush Switch
5	330734	1	Cord Set
6	183523	1	Terminal Block
7	331138	1	Cord Set
8	238155	1	Brush Motor
9	331150	1	RFI Filter
10	328062	1	Terminal Block
11	300411	2	Vacuum Motor



Nilfisk-Advance, Inc.  
14600 21st Avenue North  
Plymouth, MN, 55447-3408  
[www.nilfisk-advance.com](http://www.nilfisk-advance.com)  
Phone: 800-989-2235  
Fax: 800-989-6566  
©2000 Nilfisk-Advance, Inc.,  
Plymouth, MN 55447-3408  
Printed in the U.S.A.