

CARPETRON 18

MODEL — FC450
FC450-5

FORM NO. 042 057

JULY, 1981

REVISED FEB. 1984

PARTS LIST



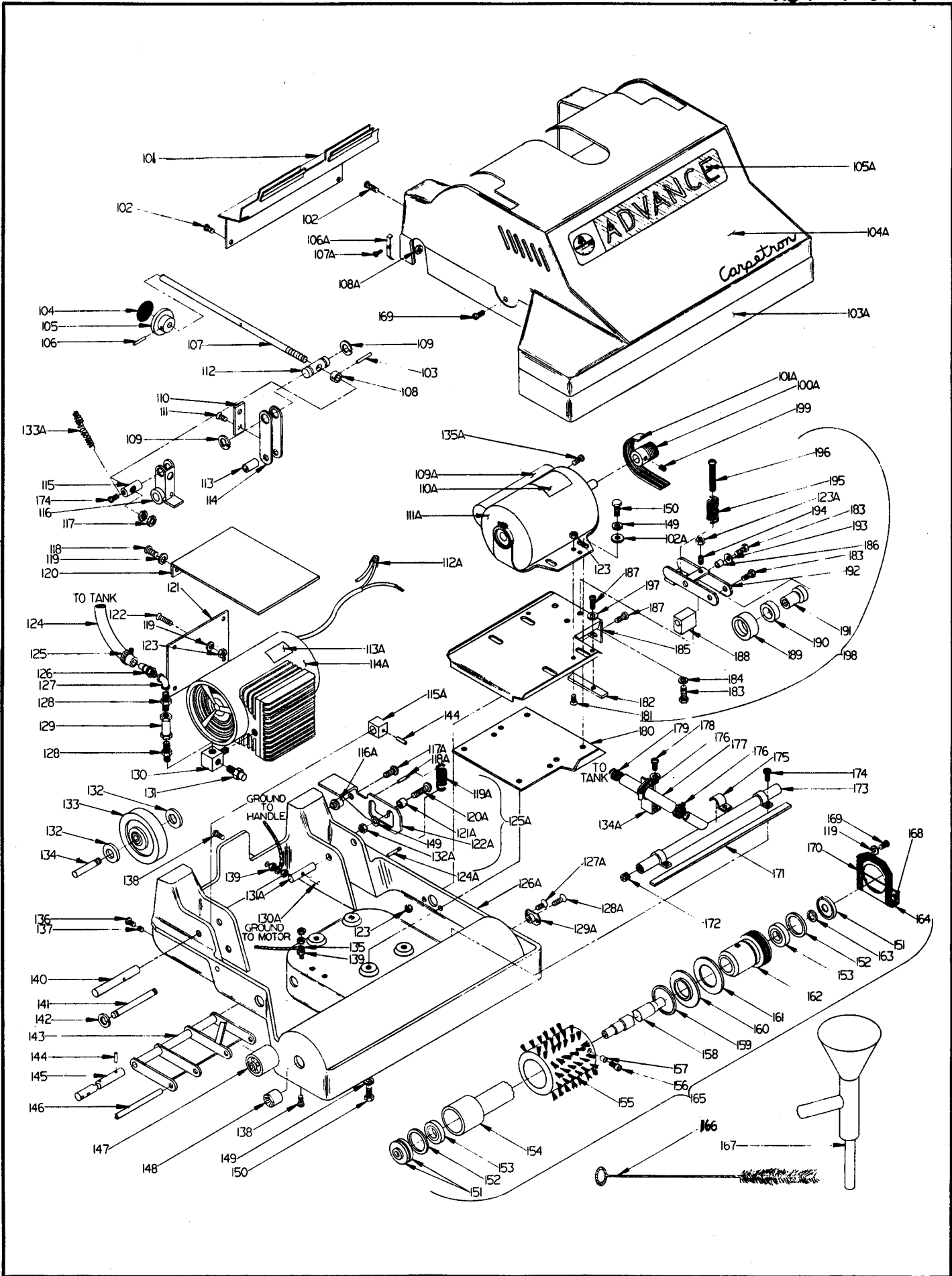
ADVANCE
MACHINE COMPANY

INTERNATIONAL HEADQUARTERS, Spring Park, Minnesota 55384-0275
EUROPE, 4 Rue Jean Engling, L-1466 Luxembourg
CANADA, 1295 Crestlawn Drive, Mississauga, Ontario L4W 1A9



INDEX FOR FORM NUMBER 042057

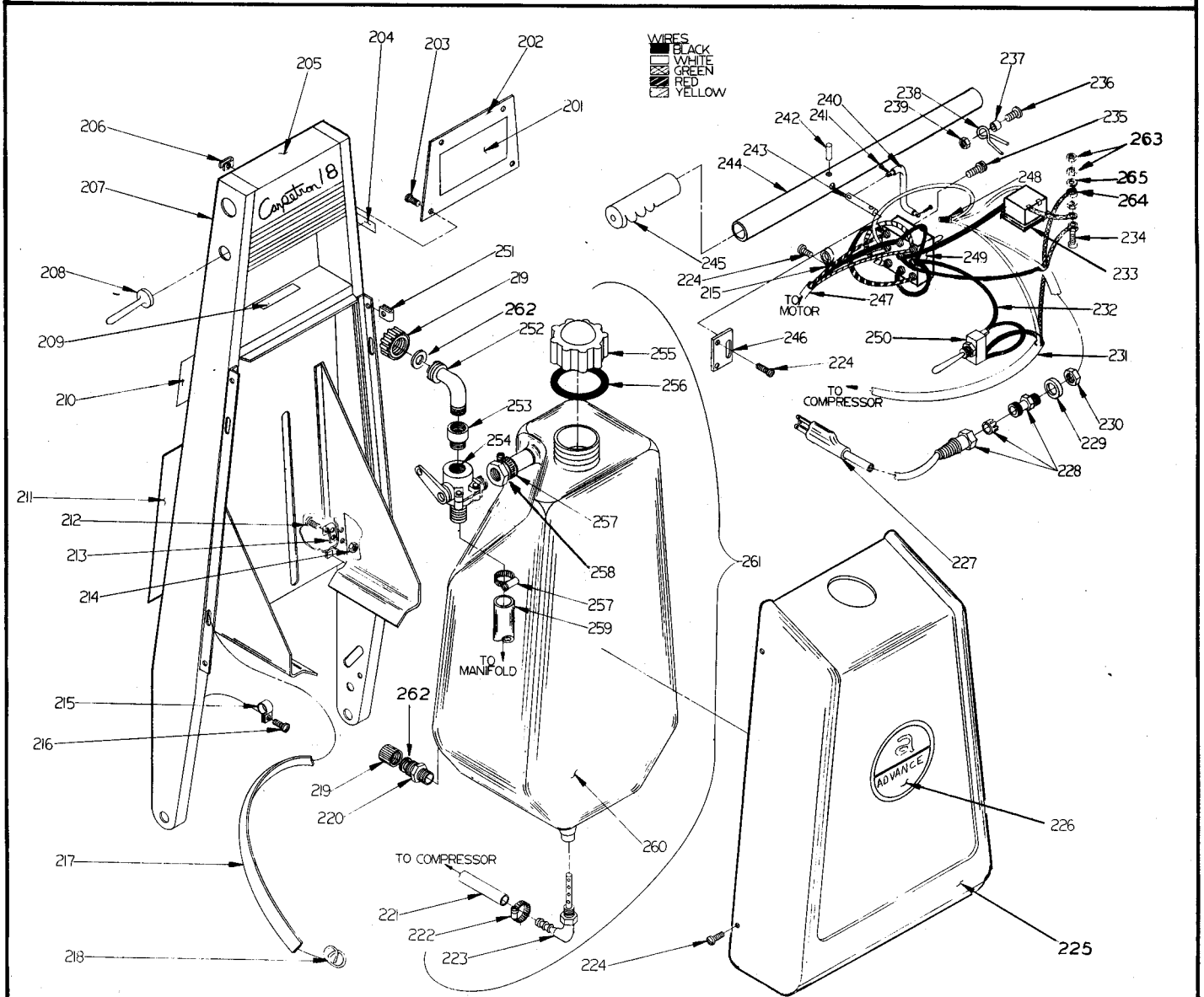
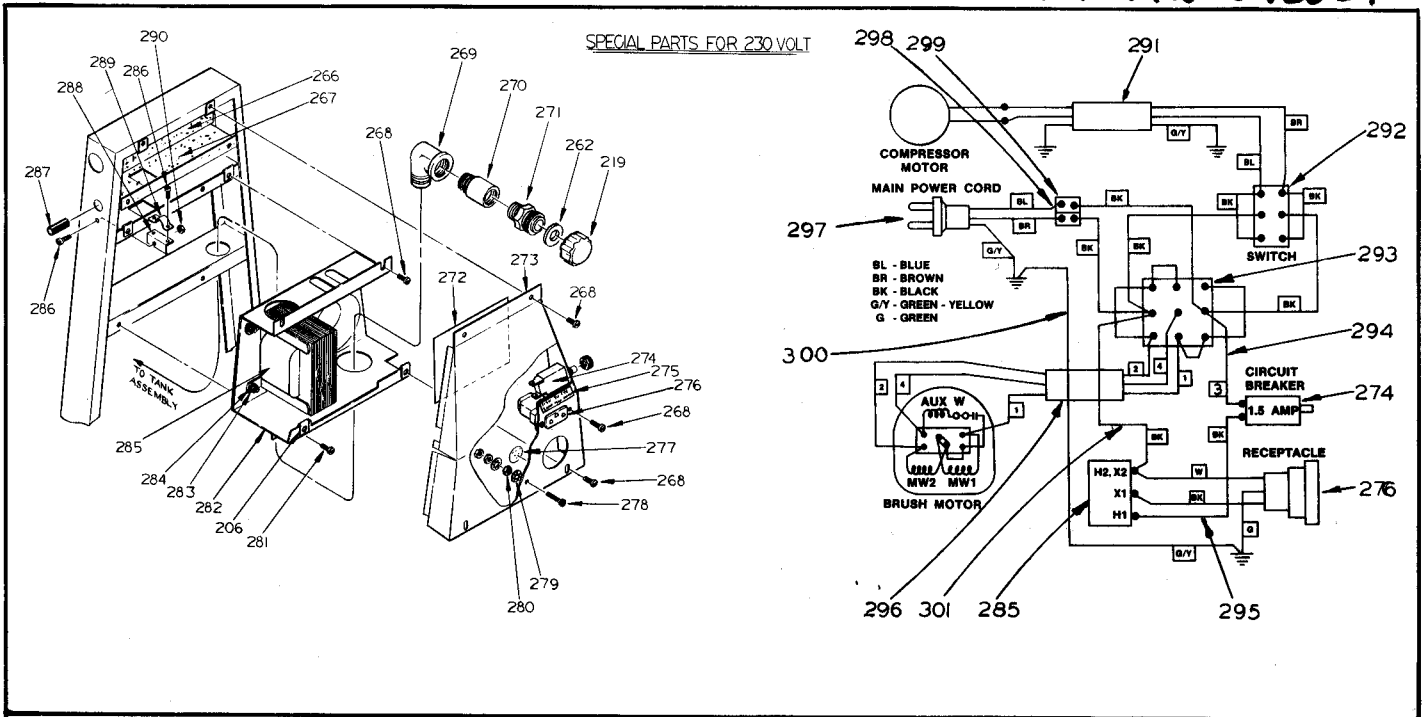
| <u>Description</u> | <u>Location</u> | <u>Page</u> |
|--------------------|-----------------|-------------|
| Base | B10 | 1 |
| Compressor | B14 | 5 |
| Handle | B12 | 3 |



BASE ASSEMBLY

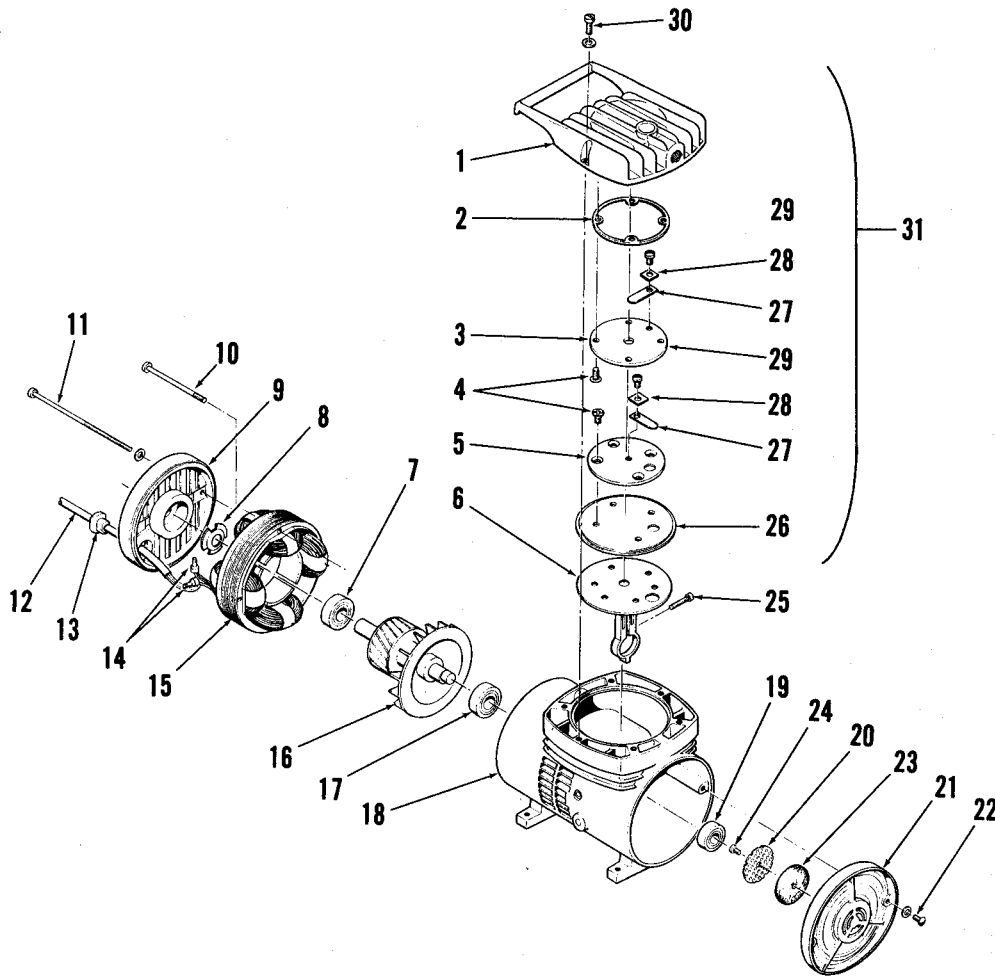
| ITEM | PART NO | QTY | DESCRIPTION | ITEM | PART NO | QTY | DESCRIPTION |
|------|---------|-----|-----------------------------|------|---------|-----|--|
| 101 | 244 800 | 1 | COVER WELDMENT | 188 | 245 192 | 1 | BLOCK, PIVOT |
| 102 | | 4 | SCREW, PAN HD. 8-32 X 5/16 | 189 | 470 662 | 1 | PULLEY |
| 103 | | 1 | SPRING PIN, 1/8 X 5/8 | 190 | 106 070 | 1 | BEARING, BALL |
| 104 | 023 092 | 1 | DECAL | 191 | 245 199 | 1 | SHAFT |
| 105 | 217 972 | 1 | KNOB | 192 | 245 188 | 1 | BRACKET |
| 106 | | 1 | GROOV-PIN, 1/8 X 1 | 193 | 151 041 | 1 | WASHER, SPRING |
| 107 | 244 861 | 1 | SCREW | 194 | | 1 | SCREW, SOCKET SET 1/4-20 X 5/8 |
| 108 | 245 022 | 1 | COLLAR | 195 | 171 177 | 1 | SPRING |
| 109 | 478 775 | 2 | RETAINING RING | 196 | | 1 | SCREW, RD. HD. 5/16-18 X 3 1/2 |
| 110 | 244 836 | 1 | WEAR STRIP | 197 | | 2 | WASHER, SHAKEPROOF #10 |
| 111 | | 2 | SCREW, FLAT HD. 6-32 X 5/16 | 198 | 245 185 | 1 | IDLER ASSEMBLY |
| 112 | 245 030 | 1 | SWIVEL | 199 | | 2 | SET SCREW, SOCKET 5/16-18 X 1/4 |
| 113 | 244 859 | 1 | SPACER | 100A | 245 605 | 1 | SHEAVE |
| 114 | 244 854 | 1 | ARM | 101A | 245 608 | 1 | BELT, POLY V |
| 115 | 219 169 | 1 | NUT | 102A | | 4 | WASHER, FLAT 5/16 |
| 116 | 244 869 | 1 | LEVER | 103A | 244 956 | 1 | BUMPER |
| 117 | | 2 | NUT, HEX JAM, 7/16-14 | 104A | 244 915 | 1 | SHROUD ASSEMBLY |
| 118 | | 2 | SCREW, PAN HD. 10-24 X 1/2 | 105A | 015 252 | 1 | DECAL |
| 119 | | 8 | LOCKWASHER #10 | 106A | 244 846 | 3 | CLIP |
| 120 | 244 933 | 1 | SHIELD | 107A | | 3 | SCREW, OVAL HD. 6-32 X 1/2 |
| 121 | 244 921 | 1 | PLATE | 108A | | 3 | NUT, HEX, 6-32 |
| 122 | | 2 | SCREW, FLAT HD. 10-24 X 5/8 | 109A | 153 931 | 1 | CAPACITOR (115V-60CYC.) |
| 123 | | 6 | NUT, HEX, 10-24 | | 220 918 | 1 | CAPACITOR (230V-50CYC.) |
| 124 | 244 991 | 4 | HOSE | 110A | 015 264 | 1 | DECAL (115V-60CYC.) |
| 125 | 219 932 | 2 | CLAMP, HOSE | | 015 164 | 1 | DECAL (230V-50CYC.) |
| 126 | 155 640 | 1 | BARB | 111A | 217 832 | 1 | MOTOR, 115V |
| 127 | 340 782 | 1 | ELBOW | | 218 529 | 1 | MOTOR, 230V |
| 128 | 218 510 | 2 | CHECK VALVE | 112A | 321 737 | 2 | WIRE NUT |
| 129 | 220 526 | 1 | COUPLING | 113A | 022 039 | 1 | DECAL, 115V, 60 HZ |
| 130 | 219 798 | 1 | STREET ELBOW | | 022 047 | 1 | DECAL, 230V, 50 HZ |
| 131 | 257 990 | 1 | RELIEF VALVE | 114A | 217 867 | 1 | COMPRESSOR, 115V, 50 HZ |
| 132 | 244 832 | 4 | WASHER | | 219 215 | 1 | COMPRESSOR, 230V, 60 HZ |
| 133 | 230 448 | 2 | WHEEL ASSEMBLY | 115A | 244 834 | 1 | CAM |
| 134 | 219 274 | 2 | AXLE | 116A | 244 937 | 1 | BUSHING |
| 135 | 245 049 | 1 | WIRE ASSEMBLY | 117A | | 1 | SCREW, TRUSS HD. 5/16-18 X 7/8 |
| 136 | | 2 | SCREW, PAN HD. 10-24 X 3/16 | 118A | 244 939 | 1 | PIN |
| 137 | | 2 | SET SCREW, SOC. 10-24 X 1/4 | 119A | 321 087 | 1 | SPRING |
| 138 | | 2 | SCREW, PAN HD. 8-32 X 3/4 | 120A | | 1 | SCREW, TRUSS HD. 5/16-18 X 2 |
| 139 | | 6 | NUT, HEX 8-32 | 121A | 244 941 | 1 | BUSHING |
| 140 | 244 873 | 1 | PIN | 122A | 244 936 | 1 | LATCH |
| 141 | 244 865 | 1 | PIN | 123A | | 1 | NUT, WHIZ 1/4-20 |
| 142 | 321 427 | 2 | RETAINING RING | 124A | 151 122 | 1 | PIN |
| 143 | 244 884 | 1 | BRACKET | 125A | 244 945 | 1 | LATCH ASSEMBLY |
| 144 | | 4 | SPRING PIN, 3/16 X 1 | 126A | 244 904 | 1 | BASE |
| 145 | 244 896 | 1 | SHAFT | 127A | | 2 | SCREW, FLAT HD. 10-24 X 3/8 |
| 146 | 244 877 | 2 | PIN | 128A | | 2 | SCREW, FLAT HD. SOC. 5/16-18 X 3/4 |
| 147 | 217 948 | 2 | ROLLER | 129A | 218 111 | 1 | SUPPORT |
| 148 | 218 146 | 1 | BUSHING | 130A | | 1 | SPRING PIN, 3/16 X 7/8 |
| 149 | | 9 | LOCKWASHER, 5/16 | 131A | 244 858 | 1 | PIN |
| 150 | | 8 | SCREW, HEX, 5/16-18 X 1/2 | 132A | | 1 | NUT, HEX. 5/16-18 |
| 151 | 218 049 | 3 | SEAL | 133A | 379 301 | 1 | SPRING |
| 152 | 220 108 | 2 | SPACER | 134A | 245 081 | 1 | BRACKET |
| 153 | 372 773 | 2 | BEARING | 135A | | 1 | SCREW, PAN HD., SELF TAPPING, 8-32 X 3/4 |
| 154 | 244 930 | 1 | SLEEVE ASSEMBLY | | | | |
| 155 | 244 928 | 1 | BRUSH | | | | |
| 156 | 218 073 | 2 | CAPSCREW | | | | |
| 157 | 368 997 | 2 | BUSHING | | | | |
| 158 | 244 926 | 1 | SHAFT | | | | |
| 159 | 218 448 | 1 | RETAINING RING | | | | |
| 160 | 217 875 | 1 | SEAL | | | | |
| 161 | 220 965 | 1 | WASHER | | | | |
| 162 | 245 602 | 1 | SHEAVE | | | | |
| 163 | 217 999 | 1 | RETAINING RING | | | | |
| 164 | 244 899 | 1 | SHIELD ASSEMBLY | | | | |
| 165 | 244 961 | 1 | BRUSH ASSEMBLY | | | | |
| 166 | 218 881 | 1 | BRUSH | | | | |
| 167 | 220 426 | 1 | FUNNEL | | | | |
| 168 | 244 905 | 1 | GASKET | | | | |
| 169 | | 7 | SCREW, PAN HD. 10-24 X 5/8 | | | | |
| 170 | 244 903 | 1 | GASKET | | | | |
| 171 | 245 092 | 1 | GASKET | | | | |
| 172 | 245 014 | 2 | PLUG | | | | |
| 173 | 245 079 | 1 | MANIFOLD ASSEMBLY | | | | |
| 174 | | 4 | SCREW, PAN HD. 8-32 X 3/8 | | | | |
| 175 | 245 076 | 1 | STRAP | | | | |
| 176 | 244 969 | 4 | CLAMP, HOSE | | | | |
| 177 | 245 018 | 1 | TUBE | | | | |
| 178 | | 2 | SCREW, PAN HD. 10-24 X 3/8 | | | | |
| 179 | 245 010 | 1 | SPRING | | | | |
| 180 | 245 077 | 1 | PLATE | | | | |
| 181 | | 2 | SCREW, FLAT HD. 10-24 X 1/2 | | | | |
| 182 | 245 195 | 1 | PLATE | | | | |
| 183 | | 6 | SCREW, HEX HD. 1/4-20 X 1/2 | | | | |
| 184 | | 4 | LOCKWASHER 1/4" | | | | |
| 185 | 245 193 | 1 | PLATE | | | | |
| 186 | 163 872 | 2 | BUSHING | | | | |
| 187 | | 4 | SCREW, PAN HD. 10-24 X 5/8 | | | | |

TSB
519,
G-11



HANDLE ASSEMBLY

| ITEM | PART NO | QTY | DESCRIPTION | ITEM | PART NO | QTY | DESCRIPTION |
|------|---------|-----|-------------------------------------|------|---------|-----|---------------------------|
| 201 | 015 264 | 1 | DECAL, "WIRING DIAGRAM" | 288 | 300 540 | 1 | BRACKET |
| 202 | 244 977 | 1 | COVER | 289 | 300 542 | 1 | CORD CLAMP |
| 203 | | 4 | SCREW, PAN HD. #6-32 X 3/8 | 290 | | 1 | NUT, HEX #8-32 |
| 204 | 015 064 | 1 | DECAL | 291 | 244 829 | 1 | CORD ASSEMBLY |
| 205 | 015 251 | 1 | DECAL | 292 | 468 350 | 1 | SWITCH, TOGGLE |
| 206 | 322 504 | 4 | NUT | 293 | 221 155 | 1 | SWITCH, FORWARD & REVERSE |
| 207 | 245 044 | 1 | HANDLE | 294 | 386 955 | 1 | WIRE ASSEMBLY #14 X 8 |
| 208 | 219 886 | 1 | SLEEVE | 295 | 245 232 | 1 | WIRE ASSEMBLY #14 X 7.50 |
| 209 | 015 121 | 1 | DECAL | 296 | 245 043 | 1 | CORD SET |
| 210 | 015 263 | 1 | DECAL | 297 | 244 835 | 1 | CORD SET, MAIN POWER |
| 211 | 015 269 | 1 | DECAL | 298 | 324 471 | 2 | TERMINAL BLOCK |
| 212 | | 2 | SCREW, PAN HD. #10-24 X 1/4 | 299 | 324 470 | 1 | END CAP |
| 213 | 325 168 | 1 | HOOK, CORD | 300 | 245 234 | 1 | WIRE ASSY. 14 X 9.0 |
| 214 | | 2 | NUT, WHIZ-LOC #10-24 | 301 | 478 708 | 1 | WIRE ASSY #14 X 6.0 |
| 215 | 342 319 | 3 | CLAMP | | | | |
| 216 | | 2 | SCREW, PAN HD. #8-32 X 1/4 S.T. | | | | |
| 217 | 245 041 | 2 | STRAP | | | | |
| 218 | 245 013 | 2 | BUCKLE | | | | |
| 219 | 255 076 | 2 | CAP | | | | |
| 220 | 244 980 | 1 | ADAPTOR | | | | |
| 221 | 244 991 | 1 | HOSE | | | | |
| 222 | 219 932 | 2 | CLAMP, HOSE | | | | |
| 223 | 244 987 | 1 | BUBBLER FITTING | | | | |
| 224 | | 7 | SCREW, PAN HD. #8-32 X 3/8 | | | | |
| 225 | 244 992 | 1 | SHROUD | | | | |
| 226 | 015 326 | 1 | DECAL | | | | |
| 227 | 244 830 | 1 | CORD ASSEMBLY | | | | |
| 228 | 162 736 | 1 | STRAIN RELIEF | | | | |
| 229 | 200 433 | 1 | WASHER | | | | |
| 230 | 200 441 | 1 | NUT | | | | |
| 231 | 244 826 | 1 | CORD ASSEMBLY | | | | |
| 232 | 251 615 | 1 | WIRE | | | | |
| 233 | 245 063 | 1 | RECEPTACLE | | | | |
| 234 | | 1 | SCREW, PAN HD. #8-32 X 7/8 | | | | |
| 235 | | 2 | SCREW, SOC. HD. #6-32 X 3/8 | | | | |
| 236 | | 1 | SCREW, PAN HD. #10-24 X 1/2 | | | | |
| 237 | 369 004 | 1 | BUSHING | | | | |
| 238 | 245 060 | 1 | SPRING | | | | |
| 239 | | 1 | NUT, HEX #10-24 | | | | |
| 240 | 244 996 | 1 | LINK | | | | |
| 241 | | 2 | PIN, COTTER 1/16 X 1/2 | | | | |
| 242 | | 1 | SPRING PIN 1/8 X 1" | | | | |
| 243 | 245 004 | 1 | PIN | | | | |
| 244 | 245 002 | 1 | PIN | | | | |
| 245 | 514 085 | 2 | GRIP | | | | |
| 246 | 245 000 | 1 | PLATE | | | | |
| 247 | 245 042 | 1 | CORD ASSEMBLY | | | | |
| 248 | 321 737 | 1 | WIRE NUT | | | | |
| 249 | 221 155 | 1 | SWITCH | | | | |
| 250 | 217 859 | 1 | SWITCH, TOGGLE | | | | |
| 251 | 255 874 | 10 | NUT | | | | |
| 252 | 245 072 | 1 | ELBOW | | | | |
| 253 | 245 074 | 1 | ADAPTOR | | | | |
| 254 | 245 078 | 1 | VALVE | | | | |
| 255 | 244 866 | 1 | CAP | | | | |
| 256 | 244 979 | 1 | GASKET | | | | |
| 257 | 244 969 | 2 | CLAMP | | | | |
| 258 | 244 976 | 1 | TUBE WELDMENT | | | | |
| 259 | 245 018 | 1 | TUBE | | | | |
| 260 | 244 851 | 1 | TANK | | | | |
| 261 | 244 964 | 1 | TANK ASSEMBLY | | | | |
| 262 | 368 776 | 2 | WASHER, RUBBER | | | | |
| 263 | | 4 | NUT, HEX #8-32 | | | | |
| 264 | 325 274 | 1 | WASHER, CUPPED | | | | |
| 265 | 325 276 | 1 | WASHER | | | | |
| 266 | 244 952 | 1 | INSULATOR | | | | |
| 267 | 244 955 | 1 | INSULATOR | | | | |
| 268 | | 8 | SCREW, PAN HD. #8-32 X 3/8 | | | | |
| 269 | 228 266 | 1 | ELBOW ST. 1/2 X 90 PVC | | | | |
| 270 | 245 074 | 1 | ADAPTOR 1/2 X 1/2 AL | | | | |
| 271 | 244 980 | 1 | ADAPTOR GHTX 1/2 NYLON | | | | |
| 272 | 015 280 | 1 | DECAL, WIRING | | | | |
| 273 | 245 248 | 1 | COVER | | | | |
| 274 | 290 425 | 1 | BREAKER, CIRCUIT 1.5 AMP | | | | |
| 275 | 015 278 | 1 | DECAL, INSTRUCTION | | | | |
| 276 | 245 230 | 1 | RECEPTICAL ASSEMBLY | | | | |
| 277 | 014 119 | 1 | GROUND SYMBOL | | | | |
| 278 | | 1 | SCREW, PAN HD. #10-24 X 5/8 | | | | |
| 279 | | 2 | WASHER, SHAKEPROOF #10 | | | | |
| 280 | | 3 | NUT, HEX #10-24 | | | | |
| 281 | | 2 | SCREW, PAN HD. SELF-TAP #8-32 X 3/8 | | | | |
| 282 | 245 246 | 1 | BRACKET | | | | |
| 283 | | 4 | NUT, HEX #8-32 | | | | |
| 284 | | 4 | WASHER, LOCK | | | | |
| 285 | 254 096 | 1 | TRANSFORMER | | | | |
| 286 | | 3 | SCREW, PAN HD. #8-32 X 1/2 | | | | |
| 287 | 300 601 | 3 | TUBE | | | | |



| ITEM | PART NO. | Qty. | DESCRIPTION | ITEM | PART NO. | Qty. | DESCRIPTION |
|------|----------|------|---|------|----------|------|--|
| 1 | 220 951 | 1 | HEAD | 16 | 220 534 | 1 | SHAFT & ROTOR ASSEMBLY |
| 2 | 220 953 | 1 | GASKET | 17 | 220 529 | 1 | BEARING, Ball Housing |
| 3 | 220 930 | 1 | PLATE, Exhaust Valve | 18 | 220 517 | 1 | HOUSING |
| 4 | | 8 | SCREW, Flat, Phillips Hd. 8-32 x 3/8 | 19 | 220 528 | 1 | BEARING, Connecting Rod |
| 5 | 220 958 | 1 | PLATE, Intake Valve | 20 | 220 516 | 1 | SCREEN |
| 6 | 220 536 | 1 | ROD, Connecting | 21 | 220 967 | 1 | COVER, Front |
| 7 | 220 530 | 1 | BEARING, Ball End Cap | 22 | | 2 | SCREW, Rd. Hd. 10-24 X 3/4 |
| 8 | 220 533 | 1 | LOAD SPRING | 23 | 220 513 | 1 | FILTER |
| 9 | 220 535 | 1 | END CAP | 24 | | 1 | SCREW, Pan Hd. Self Tapping 8-32 X 7/32 |
| 10 | 220 522 | 2 | SCREW | 25 | | 1 | SCREW, Socket Cap 10-24 X 3/4 |
| 11 | 220 509 | 2 | SCREW | 26 | 220 950 | 1 | DIAPHRAGM |
| 12 | 220 511 | 1 | CORD | 27 | 220 955 | 2 | FLAPPER, Valve |
| 13 | 163 015 | 1 | STRAIN RELIEF | 28 | 220 963 | 2 | VALVEKEEP STRIP |
| 14 | 321 737 | 2 | WIRE NUT | 29 | | 2 | SCREW, Rd. Hd. 6-32 X 1/8 |
| 15 | 220 518 | 1 | STATOR, 115V (60 Cycle) | 30 | | 6 | SCREW, Fillister Hd. 10-24 X 1/2 |
| | 220 519 | 1 | STATOR, 230V (50 Cycle) | 31 | 217 867 | 1 | COMPRESSOR ASSEMBLY 115V (60 Cycle) |
| | | | | | 219 215 | 1 | COMPRESSOR ASSEMBLY 230V (50 cycle) |