

CARPETRON 28

**MODEL FC280
FC280-5**

**JULY 1, 1975
FORM NO. 2A-107**

PARTS LIST

**Operating and
Maintenance
Instructions**

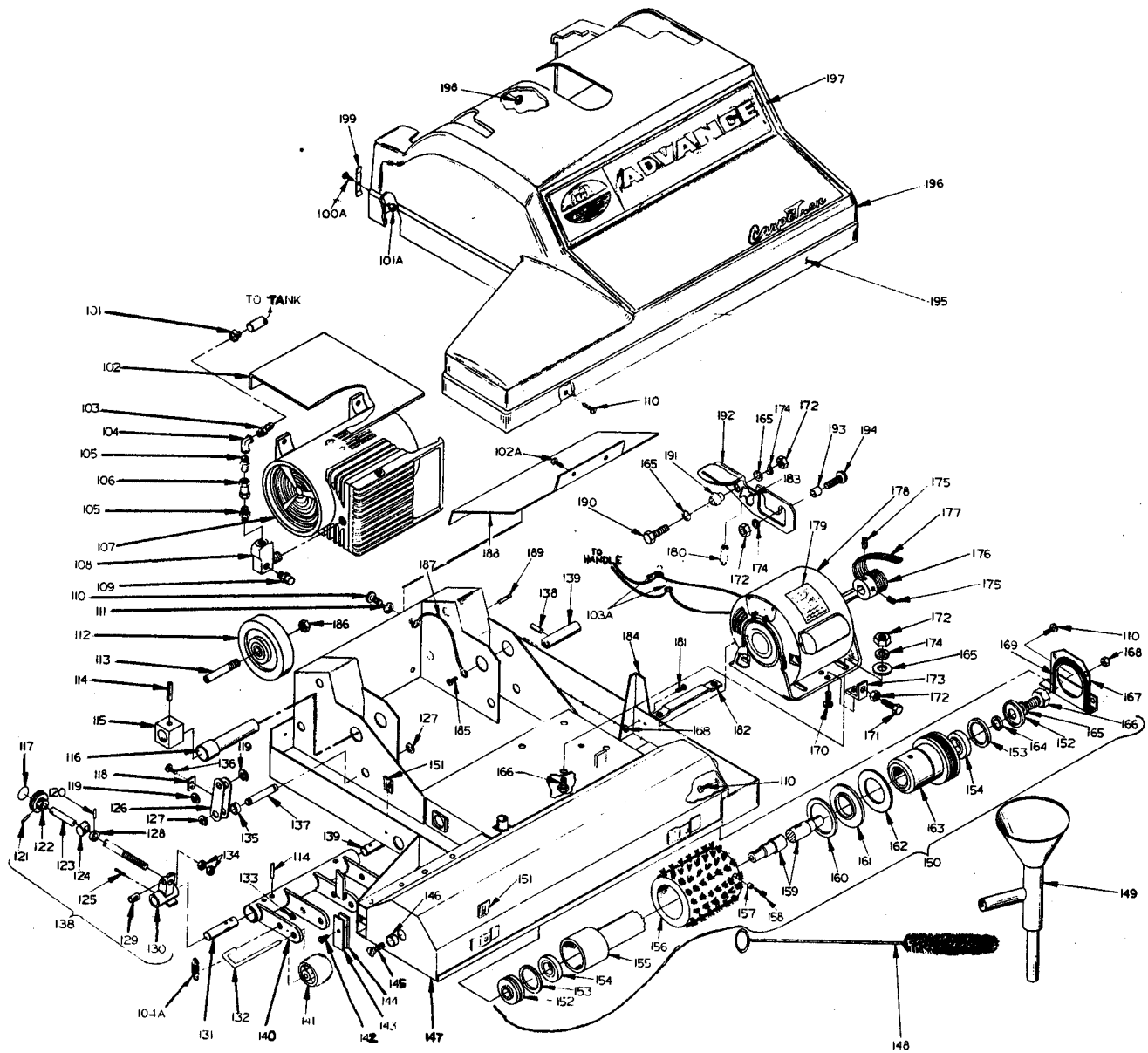


ADVANCE MACHINE COMPANY
Spring Park, Minnesota 55384

ADVANCE MACHINE COMPANY CANADA LIMITED
45 Iron Street, Rexdale (Toronto) Ontario, Canada

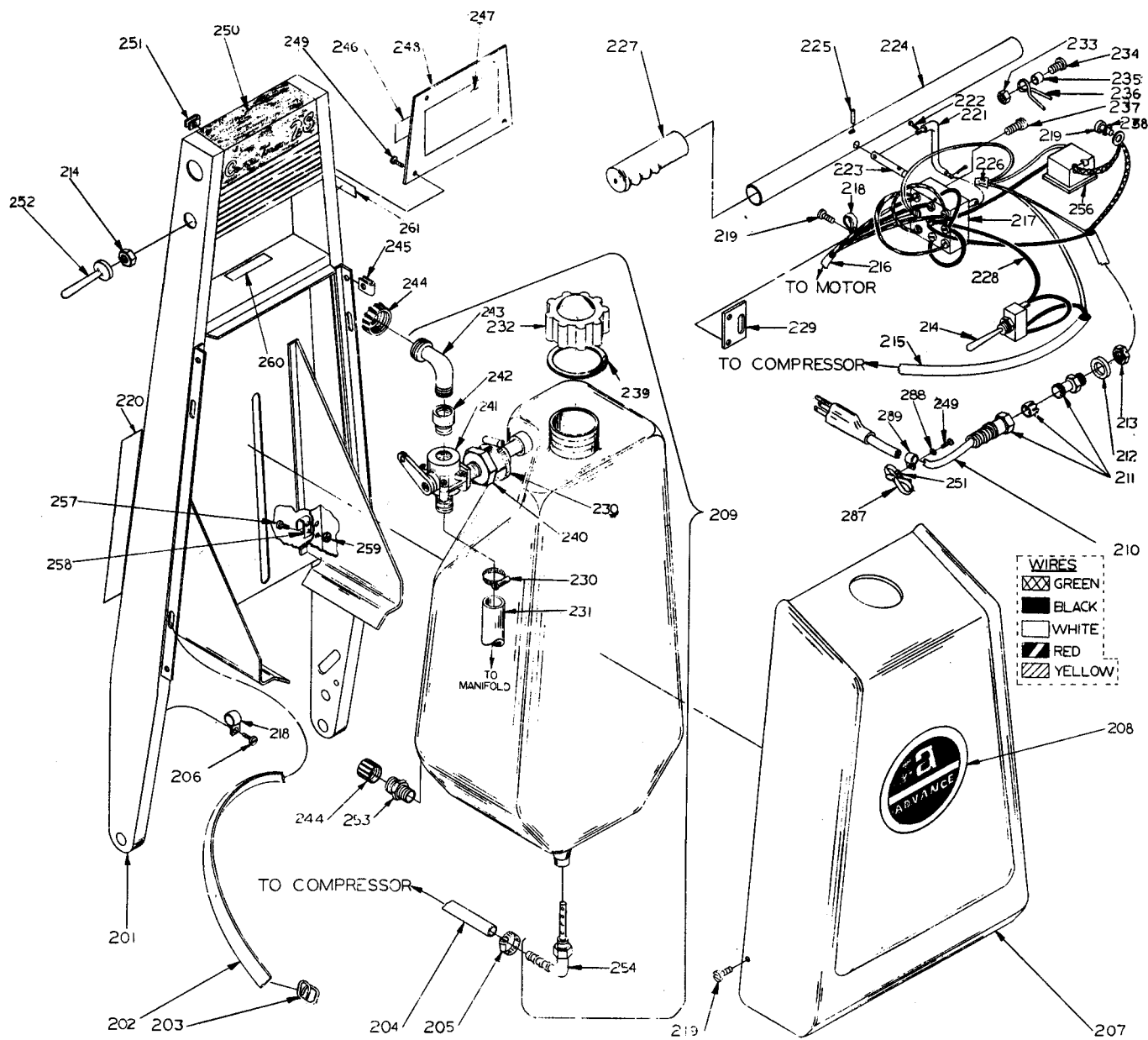
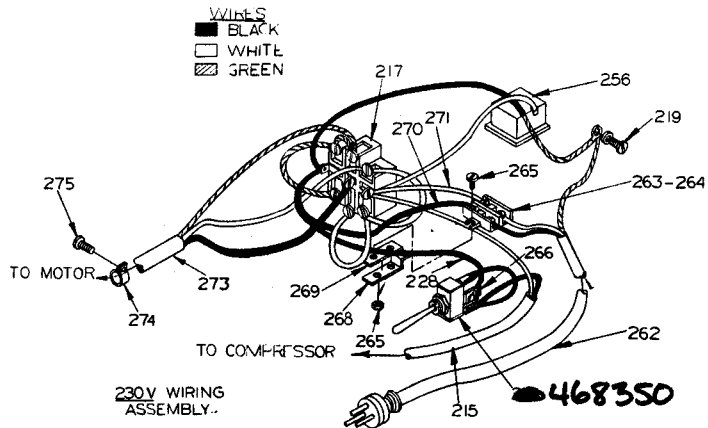
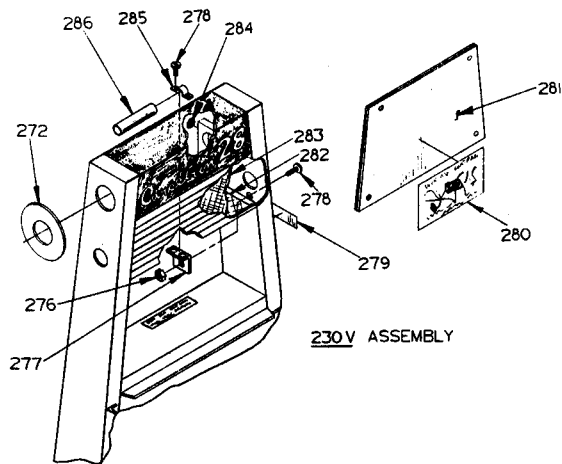
INDEX FOR FORM NUMBER 2A-107

<u>Description</u>	<u>Location</u>	<u>Page</u>
Base	C7	1
Compressor	C11	5
Handle	C9	3



ITEM	PART NO.	QTY.	DESCRIPTION	ITEM	PART NO.	QTY.	DESCRIPTION
101	219 932	1	CLAMP, Tube	168		4	NUT, 10-24
102	244 933	1	SHIELD, Compressor	169	244 901	1	GASKET, Shield
103	155 640	1	BARBED INSERT	170		2	SCREW, Flat Hd. 10-32 X 3/8
104	340 782	1	ELBOW, 1/4" 90°	171		1	SCREW, Hex Hd. 5/16-18 X 1
105	218 510	2	VALVE, Check	172		5	NUT, 5/16-18
106	220 526	1	COUPLING, 1/4" Brass 115V Model	173	219 991	1	ANGLE, Motor Adjustment
	220 656	1	COUPLING, 1/4" Brass 230V Model	174		9	LOCKWASHER, 5/16
107	245 082	1	COMPRESSOR ASSEMBLY 115V	175		2	SCREW, Socket Set 5/16-18 X 1/4
	237 647	1	COMPRESSOR ASSEMBLY 230V				
108	219 798	1	ELBOW	176	245 605	1	SHEAVE, Poly "v"
109	257 990	1	VALVE, Relief	177	245 608	1	BELT, Poly "v"
110	209 488	18	SCREW, Pan Hd. S.S. 10-24 X 7/16	178	217 832	1	MOTOR W/CAPACITOR 115V
111		4	LOCKWASHER, 10-24		218 529	1	MOTOR W/CAPACITOR 230V
112	230 448	2	WHEEL ASSEMBLY	179	015 264	1	DECAL, Wiring 115V
113	219 274	2	AXLE, Wheel		015 267	1	DECAL, Wiring 230V
114		6	PIN, Spring 3/16 X 1"	180	321 087	1	SPRING, Latch
115	244 834	1	CAM, Adjustment	181		2	SCREW, Pan Hd. 10-24 X 3/8
116	245 584	1	PIN, Handle Right	182	218 065	1	NUT, Plate
117	023 092	1	DECAL, Brush	183	244 939	1	PIN, Groove
118	244 836	1	WEAR STRAP	184	245 619	1	BRACE, Shroud
119	344 052	2	RETAINING RING	185		1	SCREW, Pan Hd. 6-32 X 1/4
120		1	PIN, Spring 1/8 X 5/8	186		2	NUT, Jam 7/16-20
121		1	PIN, Groove 1/8 X 1	187	251 658	1	GROUND WIRE
122	217 972	1	KNOB, Adjustment	188	245 632	1	PLATE, Shroud
123	245 647	1	SCREW, Adjustment	189	151 122	1	PIN, Groove
124	245 030	1	SWIVEL, Adjustment	190		1	SCREW, Hex Hd. 5/16-18 X 7/8
125		1	SPRING PIN, 3/16 X 1	191	244 937	1	BUSHING, Latch
126	244 854	1	ARM, Adjustment	192	244 936	1	LATCH, Handle
127	321 427	2	RETAINING RING	193	244 941	1	BUSHING, Latch
128	245 022	1	COLLAR, Adjustment	194		1	SCREW, Truss Hd. 5/16-18 X 2
129	219 169	1	NUT, Adjustment	195	245 568	1	BUMPER, Base
130	244 869	1	LEVER WELDMENT	196	245 560	1	SHROUD ASSEMBLY
131	245 581	1	SHAFT, Bracket	197	015 306	1	DECAL, Advance
132	325 224	2	PIN, Roller	198		2	NUT, 8-32
133	325 227	2	STUD NUT	199	244 846	3	CLIP, Bumper
134		2	NUT, Hex Jam 7/16-14	100A		3	SCREW, Oval Hd. 6-32 X 1/2
135	366 013	1	BUSHING, Adjustment	101A		3	NUT, 6-32
136		2	SCREW, Flat Hd. 6-32 X 5/16	102A		2	SCREW, Pan Hd. 8-32 X 1/2
137	245 587	1	PIN, Adjustment	103A	151 353	2	WIRE NUT
138	245 644	1	CONTROL ASSEMBLY	104A	379 301	1	SPRING
139	244 873	2	PIN, Bracket & Handle Left				
140	245 572	1	BRACKET WELDMENT				
141	325 244	4	ROLLER				
142	378 226	2	SCREW, S.S. 8-32 X 3/8				
143	245 554	2	PLATE, Manifold				
144	245 620	2	GASKET, Manifold				
145		1	SCREW, Flat Hd. Soc. 5/16-18 X 3/4				
146	218 146	1	COLLAR, Shaft				
147	245 508	1	BASE WELDMENT				
148	218 881	1	BRUSH, Cleanout				
149	220 426	1	FUNNEL				
150	245 596	1	BRUSH ASSEMBLY				
151	328 855	6	NUT, Tinnerman				
152	218 049	3	SEAL, Brush				
153	220 108	2	SPACER, Brush				
154	372 773	2	BEARING, Brush				
155	245 590	1	SLEEVE ASSEMBLY				
156	245 626	1	BRUSH, 28"				
157	368 997	2	BUSHING				
158	218 073	2	CAPSCREW				
159	245 599	1	SHAFT, Brush				
160	218 448	1	RETAINING RING				
161	217 875	1	SEAL, Brush				
162	245 611	1	WASHER, Brush				
163	245 602	1	SHEAVE, Poly "v"				
164	217 999	1	RETAINING RING				
165		20	WASHER, Flat 5/16 S.A.E.				
166		5	SCREW, Hex Hd. 5/16-18 X 3/4				
167	245 622	1	SHIELD W/GASKET				

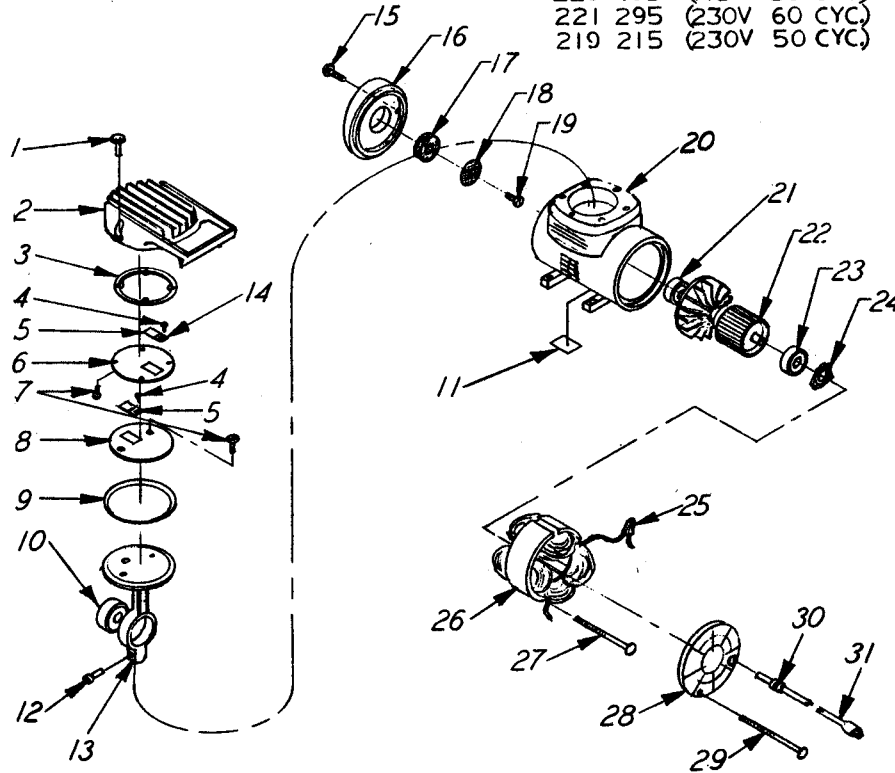
TSB
519,
G-11



ITEM	PART NO.	QTY.	DESCRIPTION	ITEM	PART NO.	QTY.	DESCRIPTION
201	245 044	1	HANDLE WELDMENT	254	244 987	1	BUBBLER FITTING
202	244 860	2	STRAP, 48"				
203	245 013	2	BUCKLE	256	245 064	1	RECEPTACLE
204	244 991	1	TUBE	257		2	SCREW, 10-24 X 1/4 Pan Hd.
205	219 932	1	CLAMP, Hose				
206		2	SCREW, Pan Hd. 8-32 X 1/4 S.T.	258	325 168	1	HOOK, Cord
207	244 992	1	SHROUD, Handle	259		2	NUT, 10-24 Hex Whiz
208	015 326	1	DECAL, Advance	260	015 121	1	DECAL, Instruction
209	244 964	1	TANK ASSEMBLY	261	015 064	1	DECAL, Inst. 115V
210	244 830	1	CORD ASSEMBLY, 115V	262	244 835	1	CORD SET, 230V
211	162 736	1	STRAIN RELIEF, 115V	263	324 471	2	TERMINAL BLOCK, 230V
212	200 433	1	WASHER, 115V Model	264	324 470	1	END CAP, 230V
213	200 441	1	NUT, 115V Model	265		2	SCREW, 4-40 X 3/16 Rd. Hd. w/Nut
214	217 859	1	SWITCH ASSEMBLY	266	321 338	1	INSULATOR, Terminal 230V
215	244 826	2	CORD ASSEMBLY				
216	245 042	1	CORD ASSEMBLY, 115V	268	244 958	1	BRACKET, Ins. 230V
217	221 155	1	SWITCH ASSEMBLY	269	244 957	1	INSULATOR, Brkt. 230V
218	300 152	4	CLAMP, 115V Model	270	220 181	1	WIRE ASSEMBLY, 230V
219		8	SCREW, Pan Hd. 8-32 X 3/8, 115V	271	220 178	1	WIRE ASSEMBLY, 230V
220	015 269	1	DECAL, Gauge	272	217 927	2	PROTECTOR
221	244 996	1	LINKAGE, Switch	273	245 043	1	CORD SET, 230V
222		2	COTTER PIN 1/16 X 1/2	274	442 011	4	CLAMP, Wire 230V
223	245 004	1	PIN, Handle	275		4	SCREW, Pan Hd. 8-32 X 3/8
224	245 002	1	TUBE, Handle	276		3	NUT, Hex 8-32
225		1	PIN, Spring 1/8 X 1"	277	300 540	1	BRACKET, Cord 230V
226	321 737	1	NUT, Wire 115V	278	160 199	3	SCREW, Nylon 230V
227	514 085	2	GRIP, Handle	279	023 202	1	DECAL, Instr. 230V
228	251 615	1	WIRE, Switch	280	015 267	1	DECAL, Wiring 230V
229	245 000	1	PLATE, Switch	281	244 959	1	INSULATOR, 230V
230	244 969	2	CLAMP, Hose	282	244 955	1	INSULATOR, 230V
231	245 614	1	TUBE	283	244 952	1	INSULATOR, 230V
232	244 863	1	CAP W/GASKET	284	321 620	1	GROUND SYMBOL, 230V
233		1	NUT, Hex 10-24	285	300 542	1	CLAMP, Cord 230V
234		1	SCREW, Pan Hd. 10-24 X 1/2	286	300 602	3	TUBE
235	369 004	1	BUSHING, Switch	287	300 187	1	BELT CLIP
236	245 060	1	SPRING, Switch	288		1	WASHER, #6 S.A.E.
237		2	SCREW, Socket Hd. 6-32 X 3/8	289	342 319	1	WIRE CLAMP
238		1	LOCKWASHER, # 8				
239	244 979	1	GASKET, Tank				
240	244 976	1	TUBE WELDMENT				
241	245 078	1	VALVE, Solution				
242	245 074	1	ADAPTER, Valve				
243	245 072	1	ELBOW				
244	255 076	2	CAP W/WASHER				
245	255 874	4	NUT, Speed				
247	015 264	1	DECAL, Wiring Dia. 115V Only				
248	244 977	1	COVER, Handle				
249		5	SCREW, Pan Hd. 6-32 X 3/8				
250	015 300	1	DECAL, Carpetron				
251	322 504	5	NUT, Speed				
252	219 886	1	SLEEVE, Switch				
253	244 980	1	ADAPTER, Tank				

PARTS LIST FOR COMPRESSOR ASSEMBLY

PART NO.'S: 217 867 (115V 60 CYC)
 220 485 (115V 50 CYC)
 221 295 (230V 60 CYC)
 219 215 (230V 50 CYC)



THOMAS IND. MODEL 905AA18

ITEM	PART NO.	QTY	DESCRIPTION	ITEM	PART NO.	QTY	DESCRIPTION
1		6	SCREW, Fillister Hd 10-24X1/2	25	321 737	2	WIRING NUT
2	220 951	1	HEAD, Compressor	26	220 518	1	STATOR, 115V 60 Cycle
3	220 953	1	GASKET, Exhaust Plate		220 520	1	STATOR, 115V 50 Cycle
4		2	SCREW, Rd. Hd. 6-32 X 1/8		220 519	1	STATOR, 230V 50 Cycle
5	220 955	2	FLAPPER, Valve		220 521	1	STATOR, 230V 60 Cycle
6	220 930	1	PLATE, Exhaust Valve	27	220 522	2	SCREW
7		6	SCREW, Flat Phillips Hd. 8-32X3/8	28	220 535	1	END CAP, Compressor
8	220 956	1	PLATE, Intake Valve	29	220 509	2	SCREW
9	220 949	1	DIAPHRAGM, Compressor	30	163 015	1	STRAIN RELIEF
10	220 528	1	BEARING, Connecting Rod	31	220 511	1	CORD, 115V & 230V
11	022 039	1	DECAL, (115V, 60 Cycle)				
	022 047	1	DECAL, (115V, 50 Cycle)				
	022 055	1	DECAL, (230V, 50 Cycle)				
	022 057	1	DECAL, (230V, 60 Cycle)				
12		1	SCREW, Socket Cap 10-24 X 3/4				
13	220 532	1	ROD, Connecting				
14	220 963	2	KEEPER STRIP, Valve				
15		2	SCREW, Rd. Hd. 10-24 X 3/4				
16	220 967	1	COVER, Front				
17	220 513	1	FILTER, Air				
18	220 516	1	SCREEN, Filter				
19		1	SCREW, Pan Hd. Self Tapping 8-32 X 7/32				
20	220 517	1	Housing, Compressor				
21	220 529	1	BEARING, BALL Housing				
22	220 534	1	SHAFT AND ROTOR ASS'Y				
23	220 530	1	BEARING, BALL End Cap				
24	220 533	1	LOAD SPRING				