

CARPETWIN

MODEL 200

THIS PARTS LIST IS FOR 115 VOLT
MACHINES AFTER SERIAL NO. 053103

PARTS LIST



ADVANCE
MACHINE COMPANY

INTERNATIONAL HEADQUARTERS, Spring Park, Minnesota 55384-0275

EUROPE, 4 Rue Jean Engling, L-1466 Luxembourg

CANADA, 1295 Crestlawn Drive, Mississauga, Ontario L4W 1A9

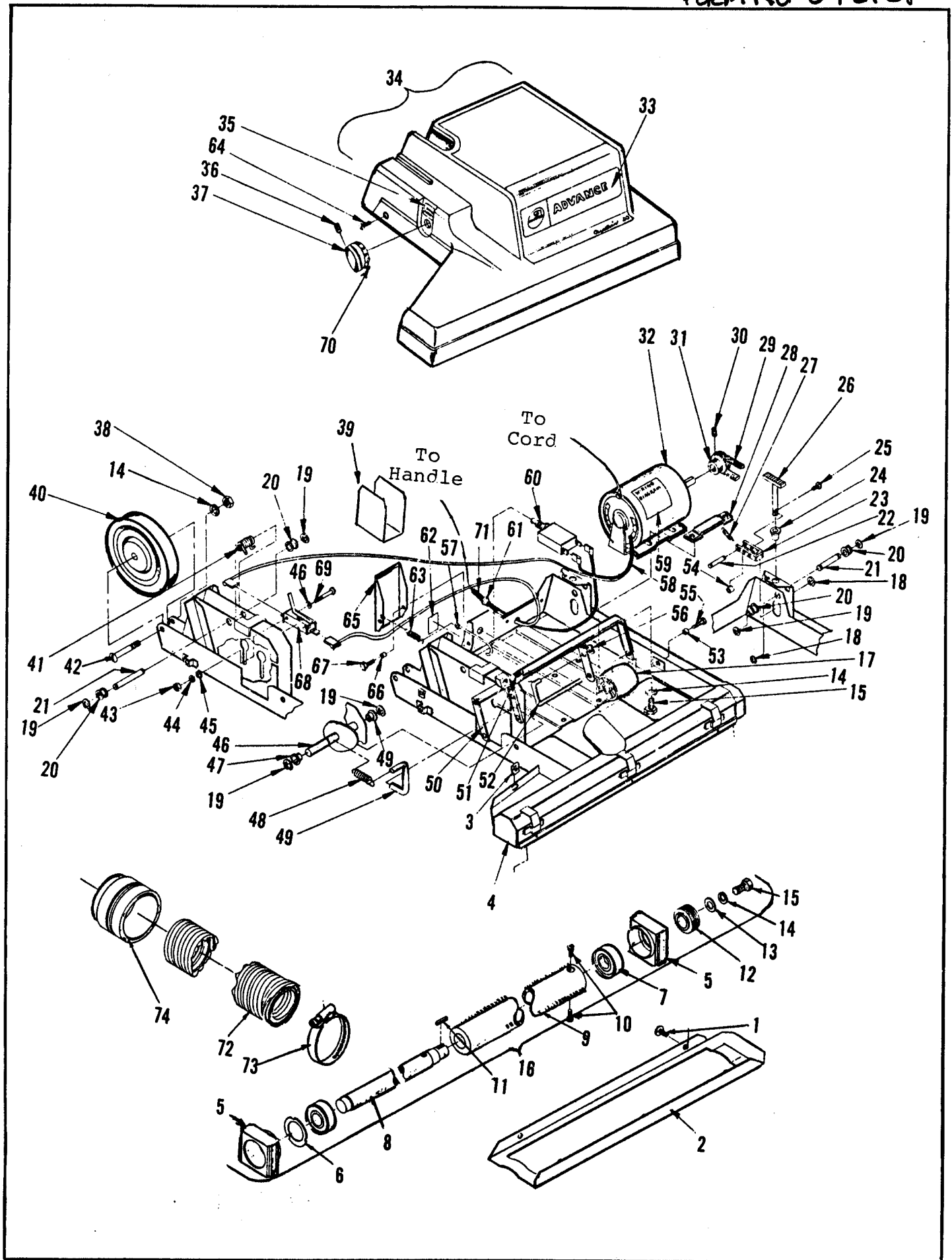
© 1985 Advance Machine Co.

FORM NO. 042 128 3/85



INDEX FOR FORM NUMBER 042128

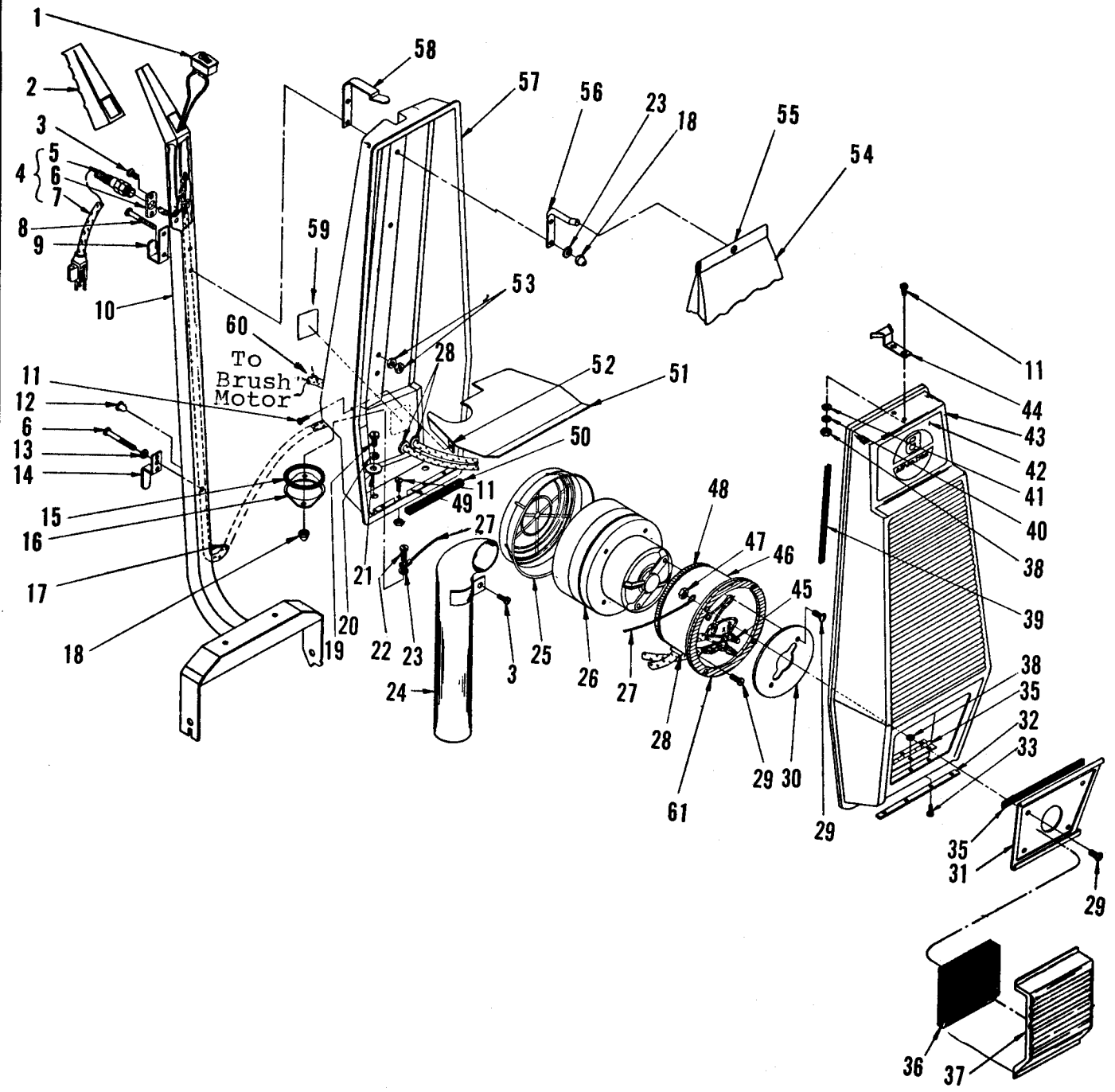
<u>Description</u>	<u>Location</u>	<u>Page</u>
Bag Housing	C3	3
Base	C1	1
Motor, Vacuum	C5	5
Wiring Diagram	C6	6



BASE ASSEMBLY

ITEM	PART NO.	QTY.	DESCRIPTION	ITEM	PART NO.	QTY.	DESCRIPTION
1		6	SCREW #10-32 X 3/8	66	151 092	1	SPACER, GUARD
2	326 934	1	SHOE, BASE	67		2	SCREW, #10-32 X 5/16
3	328 855	5	NUT, SPEED #10-24	68	327 450	1	SWITCH
4	326 403	1	BASE	69		2	SCREW #6-32 X 7/8
5	322 420	2	BLOCK, BEARING	70	023 288	1	DECAL, NUMBER
6	320 153	1	SPRING, LOADING	71	325 390	1	CORD ASSY.
7	372 773	2	BEARING, BRUSH	72	330 090	1	HOSE, 2"
8	327 166	1	TUBE ASSY.	73	440 213	1	CLAMP, HOSE
9	327 255	1	BRUSH	74	330 088	1	HOSE CUFF
10		2	SCREW, #10-24 X 1/2				
11	109 258	1	KEY, SHAFT				
12	327 182	1	PULLEY, POLY-V				
13		1	WASHER, FLAT 5/16				
14		7	LOCKWASHER 5/16				
15		5	SCREW 5/16-18 X 5/8				
16	327 272	1	BRUSH ASSEMBLY				
17	325 244	2	ROLLER, HEIGHT ADJ.				
18	321 125	2	RING, RETAINING				
19	321 427	6	RING, RETAINING				
20	329 098	4	BEARING, NYLINER				
21	329 054	2	PIN, FORK PIVOT				
22	328 707	1	PIN, LATCH PIVOT				
23	328 561	1	LATCH ASSEMBLY				
24	328 723	1	BUSHING				
25		1	SCREW #10-32 X 1/2				
26	328 562	1	FOOT PEDAL ASSY.				
27	328 790	1	SPRING, FOOT PEDAL				
28	218 065	2	PLATE, NUT				
29	327 476	1	BELT, POLY-V				
30		1	SCREW 5/16-18 X 5/16				
31	327 131	1	PULLEY, MOTOR				
32	238 147	1	MOTOR, BRUSH				
33	014 305	1	DECAL, ADVANCE				
34	326 990	1	SHROUD ASSY.				
35	012 290	1	DECAL, BRUSH ADJ				
36		1	SCREW #8-32 X 3/8				
37	324 502	1	KNOB, ADJUSTMENT				
38		2	NUT, HEX 5/16-18				
39	329 147	1	SHIELD, ELECTRICAL				
40	327 530	2	WHEEL, 4"				
41	321 397	1	SPRING, TORSION				
42		2	SCREW 5/16-18 X 1 3/4				
43		2	NUT, HEX #6-32				
44		2	LOCKWASHER #6				
45		4	WASHER, FLAT #6				
46	328 058	1	CAM				
47	329 105	2	BEARING, NYLINER				
48	330 642	1	SPRING, ADJUSTMENT				
49	327 657	1	LEVEL, AXEL				
50	327 607	1	AXEL				
51		1	SCREW, SET 5/16-18 X 3/8				
52	327 668	2	AXEL, ROLLER				
53	151 106	2	BUSHING, AXEL				
54	328 758	1	SPACER, PEDAL				
55		2	SCREW 1/4-20 X 3/4				
56	325 227	2	NUT, STUD				
57	329 142	1	HOOK				
58	327 413	1	CORD ASSY 18/2 X 12				
59	014 335	1	DECAL, WIRING				
60	329 177	1	CIRCUIT BREAKER 6.0A				
61	163 015	1	STRAIN RELIEF				
62	014 362	1	DECAL, RESET				
63	378 968	1	SPRING, GUARD				
64		4	SCREW #10-24 X 1/2				
65	329 137	1	GUARD, HOSE				

62

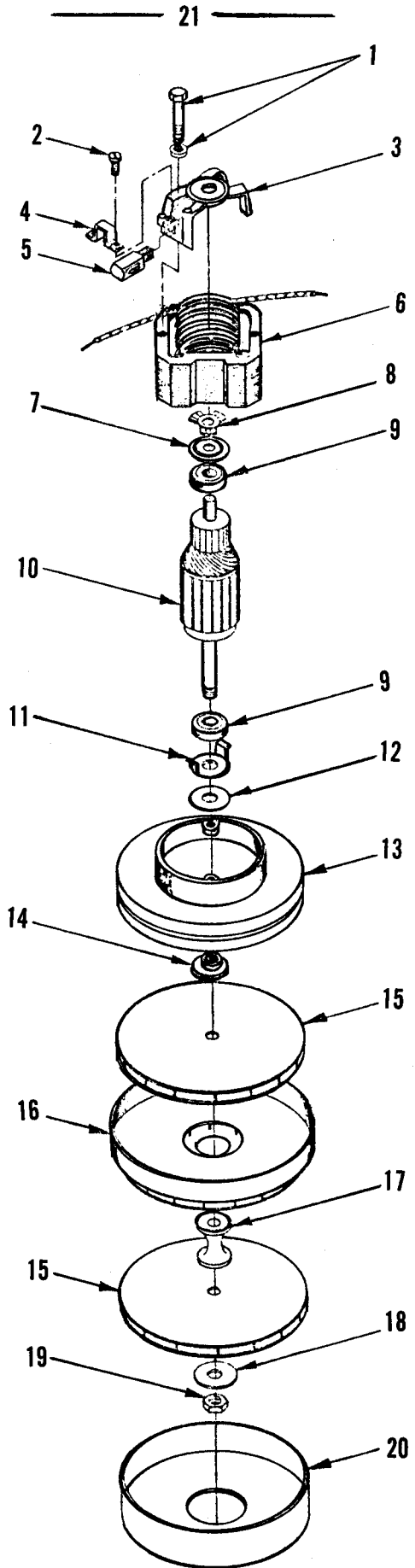


HANDLE ASSEMBLY

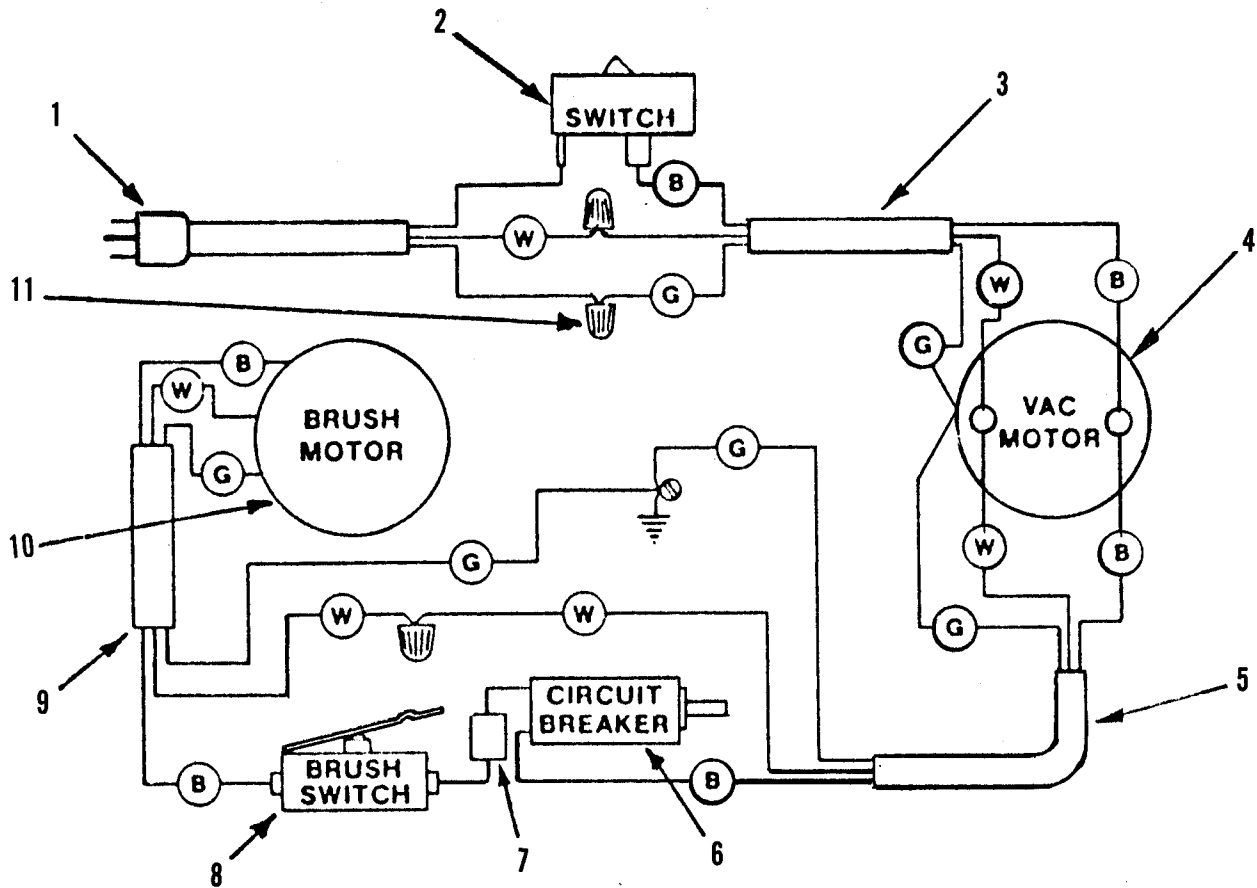
ITEM	PART NO.	QTY.	DESCRIPTION
1	325 140	1	SWITCH, ROCKER
2	585 099	1	GRIP, HANDLE
3		6	SCREW #10-32 X 1/2
4	327 343	1	CORD SET ASSY.
5	162 736	1	STRAIN RELIEF
6	322 027	1	PLATE
7	584 968	1	CORD SET
8		3	SCREW #10-24 X 1 5/8
9	325 168	1	HOOK, CORD
10	321 139	1	HANDLE
11		6	SCREW #6-32 X 5/8
12	361 321	2	CATCH, BULLET
13		2	WASHER, FLAT #10
14	325 166	1	HOOK, SWIVEL CORD
15	325 157	1	O-RING
16	325 160	1	PLATE, KEEPER
17	325 327	1	CORD ASSY.
18		6	NUT, ACORN #10-24
19		2	SCREW, 1/4-20 X 3/8
20		2	LOCKWASHER, 1/4
21	151 114	2	WASHER, FLAT
22		2	SCREW, #10-24 X 5/8
23		6	LOCKWASHER #10
24	325 162	1	TUBE, INLET
25	384 898	1	FILTER, VAC MOTOR
26	300 381	1	MOTOR, VACUUM
27	325 240	1	WIRE ROPE ASSY.
28	320 319	4	BUSHING, NYLON
29		8	SCREW, #10-24 X 1/2
30	325 332	1	PLATE, BAFFLE
31	325 173	1	PLATE, FILTER
32	325 208	1	PLATE, HINGE
33		5	SCREW #6-32 X 3/8
34	200 754	1	GASKET
35	325 205	1	HINGE, HOUSING
36	325 163	1	FILTER, AIR
37	325 161	1	DEFLECTOR, AIR
38		11	NUT, #6-32
39	325 324	1	GASKET 65 1/2
40		3	LOCKWASHER #6
41		2	WASHER, FLAT #6
42	014 060	1	DECAL, ADVANCE
43	325 297	1	HOUSING, FRONT
44	325 250	1	STRIKE, LATCH
45	321 737	3	WIRE NUT
46	325 120	1	CUP, VAC MOTOR
47		4	HEX NUT #10-24
48	209 325	1	GASKET, MOTOR
49	325 207	1	PLATE, HOUSING
50	385 448	1	GASKET 7"
51	325 138	1	SUPPORT, BAG
52	322 504	1	SPEEDNUT, #6
53		2	HEX NUT #10-24
54	324 530	1	BAG, CLOTH
55	320 676	1	CLAMP, BAG
56	325 164	1	HOOK, BAG
57	325 322	1	HOUSING, BACK
58	325 337	1	LATCH
59	015 314	1	DECAL, WARNING
60	325 390	1	CORD ASSY.
61	325 148	1	GASKET, CUP
62	329 402	1	HANDLE ASSY.

VACUUM MOTOR

ITEM	PART NO.	QTY.	DESCRIPTION
1	203 494	2	SCREW
2	203 263	4	SCREW, COMMUTATOR
3	207 234	1	BRACKET, COMMUTATOR END
4	207 285	2	CLAMP, BRUSH
5	203 518	SET	BRUSH MECHANISM
6	203 557	1	FIELD
7	203 513	1	DISC, 115V
8	202 843	1	LOAD SPRING
9	228 051	2	BEARING
10	203 549	1	ARMATURE
11	203 471	1	WASHER, CLAMPING
12	203 459	1	WASHER, FELT
13	301 184	1	BRACKET & SHELL ASSY
14	203 424	1	SPACER
15	208 191	2	FAN, ROTATING
16	207 268	1	FAN STATIONARY
17	203 516	1	SPACER
18	203 432	1	WASHER
19	203 440	1	NUT
20	203 491	1	FAN, SHELL
21	300 381	1	MOTOR, VACUUM



B - BLACK
G - GREEN
W - WHITE



ELECTRICAL SCHEMATIC

ITEM	PART NO.	QTY.	DESCRIPTION
1	327 343	1	CORD SET ASSY.
2	325 140	1	SWITCH, ROCKER
3	325 327	1	CORD ASSY 16/3 X 53
4	300 381	1	MOTOR, VACUUM
5	325 390	1	CORD ASSY. 18/3 X 34
6	329 177	1	CIRCUIT BREAKER
7	329 149	1	WIRE ASSY.
8	327 450	1	SWITCH, BRUSH
9	327 413	1	CORD ASSY. 18/2 X 12
10	238 147	1	MOTOR, BRUSH
11	321 737	1	CONNECTOR, WIRE