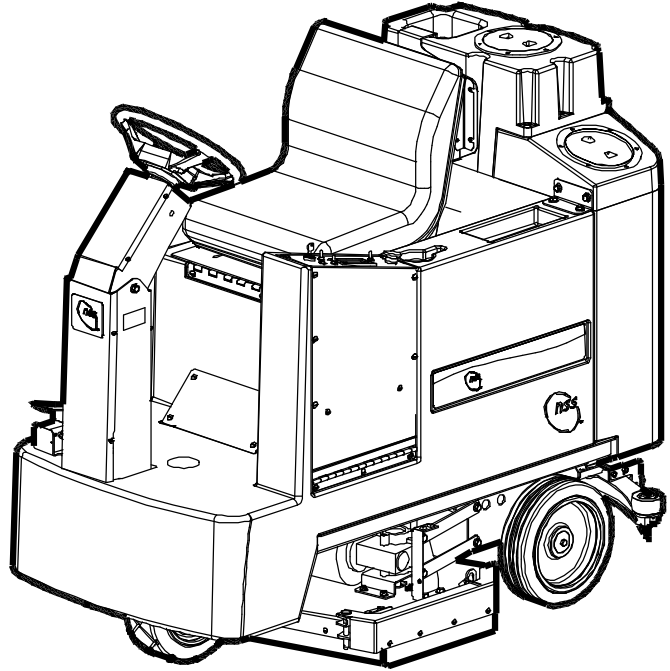
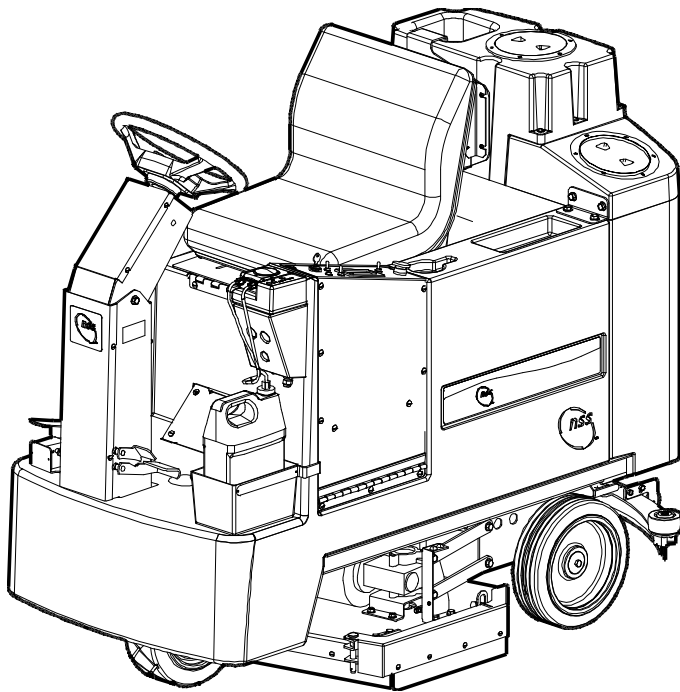


PARTS LIST
CHAMP 2929



WITHOUT SIDEKICK CHEMICAL DISPENSOR

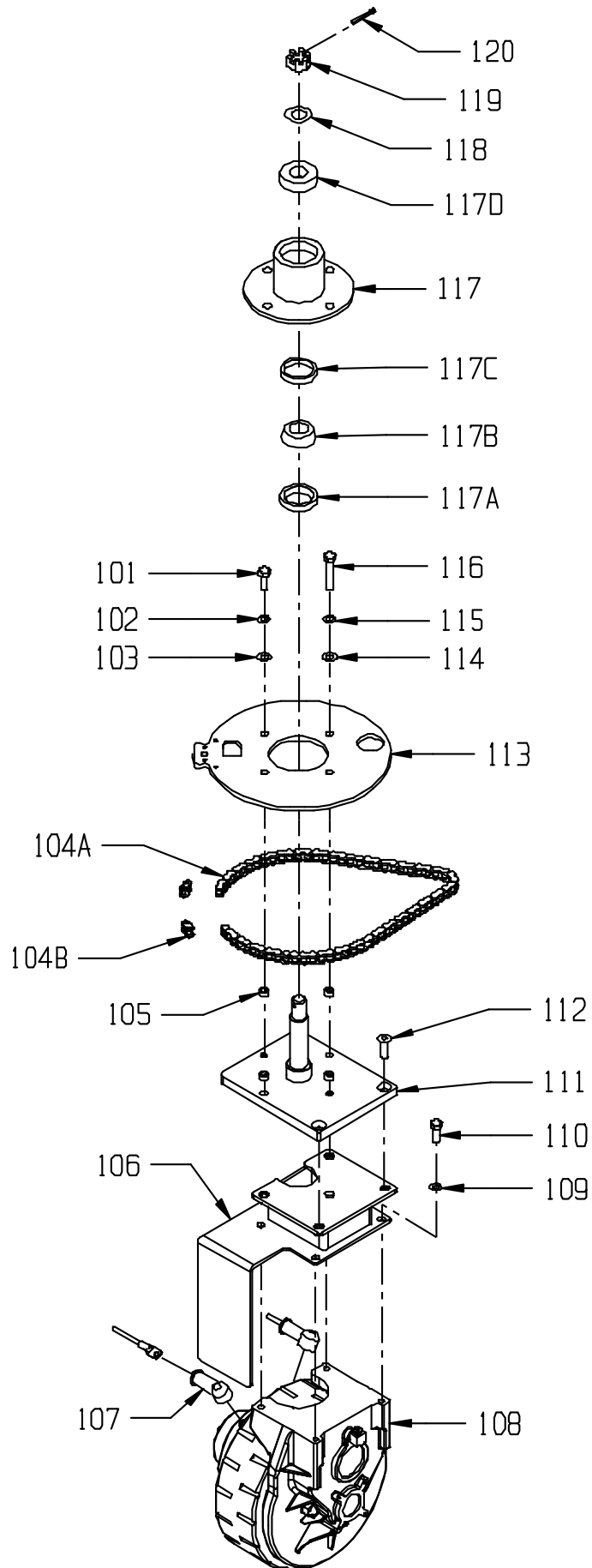


**WITH SIDEKICK CHEMICAL
DISPENSOR**



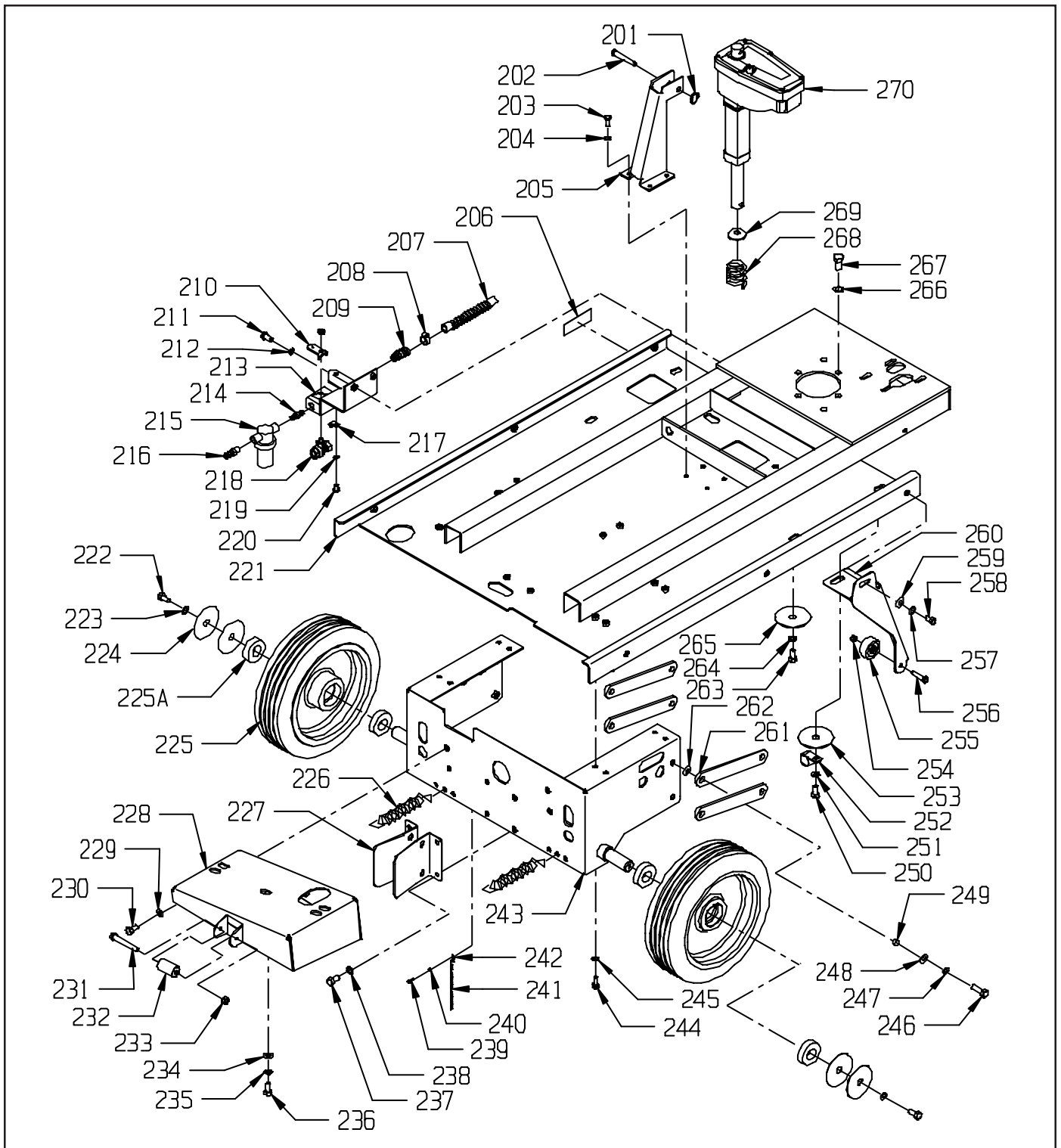
<u>ITEM</u>	<u>PART NO.</u>	<u>DESCRIPTION</u>	<u>QTY.</u>
101	9122300	3/8-16 X 1 1/4 HEX BOLT - PACK OF 2	2
102	9122100	3/8 SPLIT LOCK WASHER - PACK OF 10	2
103	9121400	3/8 I.D. X 7/8 O.D. X .064/.104 THICK WROUGHT WASHER (5/16)-PK-10	2
104	7691259	CHAIN KIT - CHAIN WITH TWO MASTERS - INCLUDES:	1
	2790341	ROLLER CHAIN 67 LINKS WITHOUT MASTER	1
104A	2795211	LINK - MASTER #40 CHAIN NICKEL	2
105	2691181	PIVOT SPACER, STABILIZER BAR	4
106	7695361	SPACER CHASSIS DRIVE 250	1
107	6492051	STUD TERMINAL BOOT - RUBBER	2
108	7695401	CHASSIS DRIVE 250 - INCLUDES:	1
	7695221	WHEEL / TIRE	1
	7695239	WHEEL BOLTS & LOCK WASHERS - KIT	1
	7695241	WHEEL BOLTS	10
	7695251	WHEEL LOCK WASHERS	10
	7695261	MOTOR	1
	7695271	CARBON BRUSH	4
109	9124003	M10 SPLIT LOCK WASHER	4
110	9124007	M10-1.5 X 20 HEX HEAD BOLT	4
111	7690581	STEERING YOKE	1
112	9122323	3/8-16 X 1 1/4 FLAT HEAD SOCKET CAP SCREW	2
113	7690571	DRIVEN SPROCKET - STEERING	1
114	9121400	3/8 I.D. X 7/8 O.D. X .064/.104 THICK WROUGHT WASHER (5/16)-PK-10	2
115	9122100	3/8 SPLIT LOCK WASHER - PACK OF 10	2
116	9122343	3/8-16 X 2 HEX HEAD FULL THREADED BOLT - PACK OF 1	2
117	7690509	BEARING BLOCK - STEERING ASSEMBLY - INCLUDES:	1
117A	7690591	SEAL - STEERING	1
117B	7690671	BEARING CONE - STEERING BOTTOM	1
117C	7690681	BEARING CUP - STEERING BOTTOM	1
117D	2790311	BEARING, BOTTOM END	1
118	9123105	3/4 I.D. X 1 1/4 O.D. X .071/.082 THICK FLAT WASHER (11 GAGE)-PK-5	1
119	9123100	3/4-16 HEX SLOTTED NUT - STEEL - PACK OF 1	1
120	9120314	1/8 X 1 1/4 COTTER PIN - STEEL - PACK OF 5	1

DRIVE WHEEL ASSEMBLY



<u>ITEM</u>	<u>PART NO.</u>	<u>DESCRIPTION</u>	<u>QTY.</u>
201	2392561	CIRCLE COTTER	1
202	7690311	3/8" DIAMETER X 2.505 LONG CLEVIS PIN	1
203	9121210	1/4-20 X 5/8 HEX BOLT - PACK OF 10	4
204	9120880	1/4 SPLIT LOCK WASHER - PACK OF 10	4
205	7690301	BRUSH ACTUATOR BRACKET	1
206	3393591	STRAINER LOCATION LABEL	1
207	7693781	6.5 X 3/4 CONVOLUTED HOSE	1
208	7693811	HOSE CLAMP, 9/16" TO 1 1/16"	1
209	7695161	3/4 HOSE BARB X 1/4 MPT FITTING	1
210	7691041	VALVE LEVER	1
211	9121600	5/16-18 X 5/8 HEX BOLT - PACK OF 5	2
212	9121520	5/16 SPLIT LOCK WASHER - PACK OF 10	2
213	7691031	SOLUTION VALVE HANGER	1
214	3891941	1/4 NPT HEX NIPPLE	1
215	3393551	INLINE CANISTER STRAINER (INCLUDES)	1
	3393611	STRAINER ELEMENT	1
	3394559	KIT, BOWL & GASKET (INCLUDES)	1
	3393621	GASKET	1
	3392731	BOWL	1
216	2495161	1/2 HOSE BARB X 1/4 MPT	1
217	7691061	CONDUIT CLAMP	1
218	2397961	SOLUTION VALVE	1
219	9120370	7/32 I.D. X 1/2 O.D. X .032/.065 THICK SAE FLAT WASHER (#10)-PK-10	1
220	9120510	10-24 X 1/2 TRUSS HEAD PHILLIPS MACHINE SCREW - PACK OF 10	1
221	7693931	MAIN FRAME	1
222	9122220	3/8-16 X 3/4 HEX BOLT - PACK OF 5	2
223	9122100	3/8 SPLIT LOCK WASHER - PACK OF 10	2
224	9122110	3/8 X 1 1/2 FENDER WASHER - PACK OF 10	4
225	7690081	12 X 3 WHEEL - ASSEMBLY - INCLUDES:	2
225A	2790311	BEARING, BOTTOM END	2
226	7690291	EXTENSION SPRING, SQUEEGEE	2
227	7690211	SQUEEGEE MOUNT / STOP BRACKET	2
228	7694013	MOUNTING BRACKET - LOWER RECOVERY TANK	1
229	9122100	3/8 SPLIT LOCK WASHER - PACK OF 10	4
230	9122220	3/8-16 X 3/4 HEX BOLT - PACK OF 5	4
231	9122350	3/8-16 X 3 HEX BOLT - PACK OF 1	1
232	7690811	GUIDE	1
233	9122140	3/8-16 HEX NUT WITH NY-LOK INSERT - PACK OF 5	1
234	9121400	3/8 I.D. X 7/8 O.D. X .064/.104 THICK WROUGHT WASHER (5/16)-PK-10	2
235	9122100	3/8 SPLIT LOCK WASHER - PACK OF 10	2
236	9122220	3/8-16 X 3/4 HEX BOLT - PACK OF 5	2
237	9122220	3/8-16 X 3/4 HEX BOLT - PACK OF 5	4
238	9122100	3/8 SPLIT LOCK WASHER - PACK OF 10	4
239	9120380	10-24 X 3/8 ROUND HEAD PHILLIPS MACHINE SCREW - PACK OF 10	1
240	9120320	#10 SPLIT LOCK WASHER - PACK OF 10	1
241	6491860	ROUND BEAD CHAIN (CUT TO 6")	.5
242	6491871	END COUPLING - ROUND BEAD CHAIN	1
243	7690173	AXLE BRACKET	1
244	9122220	3/8-16 X 3/4 HEX BOLT - PACK OF 5	8
245	9122100	3/8 SPLIT LOCK WASHER - PACK OF 10	8
246	9122300	3/8-16 X 1 1/4 HEX BOLT - PACK OF 2	8
247	9122100	3/8 SPLIT LOCK WASHER - PACK OF 10	8
248	9121400	3/8 I.D. X 7/8 O.D. X .064/.104 THICK WROUGHT WASHER (5/16)-PK-10	8
249	2691181	PIVOT SPACER, STABILIZER BAR	8
250	9122260	3/8-16 X 1 HEX BOLT - PACK OF 2	1
251	9122100	3/8 SPLIT LOCK WASHER - PACK OF 10	1
252	2395761	CLAMP, TUBE	1
253	9122110	3/8 X 1 1/2 FENDER WASHER - PACK OF 10	1
254	9121450	5/16-18 HEX NUT WITH NY-LOCK INSERT - PACK OF 5	2
255	3096741	WHEEL, BUMPER-SMALL GRAY	2
256	9121780	5/16-18 X 1-1/2 HEX BOLT - PACK OF 2	2
257	9122100	3/8 SPLIT LOCK WASHER - PACK OF 10	2
258	9122220	3/8-16 X 3/4 HEX BOLT - PACK OF 5	2
259	9121980	7/16 I.D. X O.D. X .075/.080 THICK FLAT WASHER (3/8) - PACK OF 2	2
260	7695481	TIP STOP, RIGHT	1
	7695491	TIP STOP, LEFT	1

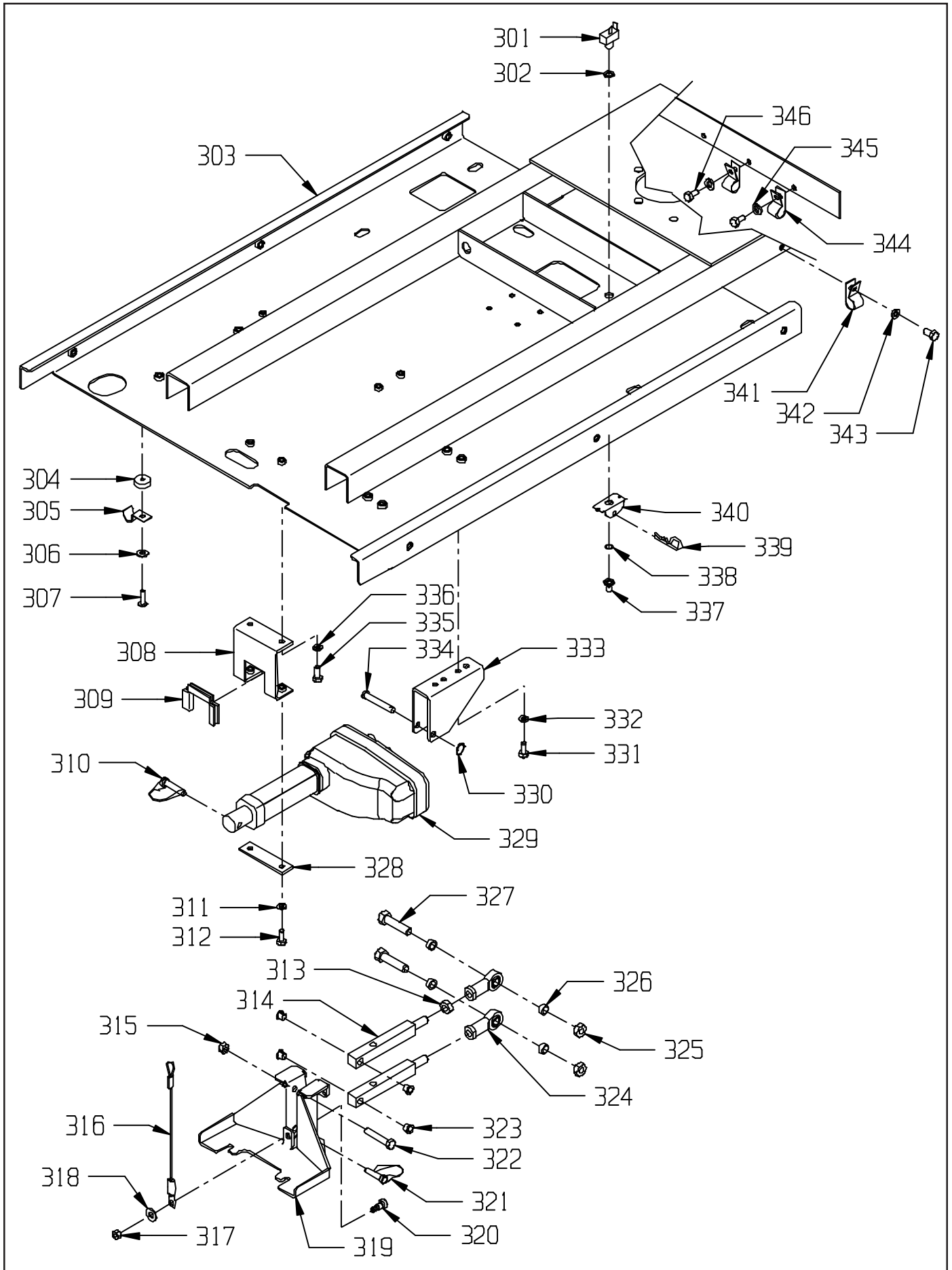
CHASSIS ASSEMBLY



<u>ITEM</u>	<u>PART NO.</u>	<u>DESCRIPTION</u>	<u>QTY.</u>
261	2691171	STABILIZER BAR	4
262	9121400	3/8 I.D. X 7/8 O.D. X .064/.104 THICK WROUGHT WASHER (5/16)-PK-10	8
263	9122220	3/8-16 X 3/4 HEX BOLT - PACK OF 5	3
264	9122100	3/8 SPLIT LOCK WASHER - PACK OF 10	3
265	9122110	3/8 X 1 1/2 FENDER WASHER - PACK OF 10	3
266	9122420	1/2 SPLIT LOCK WASHER - PACK OF 5	4
267	9122500	1/2-13 X 7/8 HEX BOLT - PACK OF 2	4
268	7691171	COMPRESSION SPRING	1
269	3190191	STRING GUARD	1
270	7690549	BRUSH/SQUEEGEE ACTUATOR KIT	1
	7692209	ACTUATOR LIMIT SWITCH KIT	1

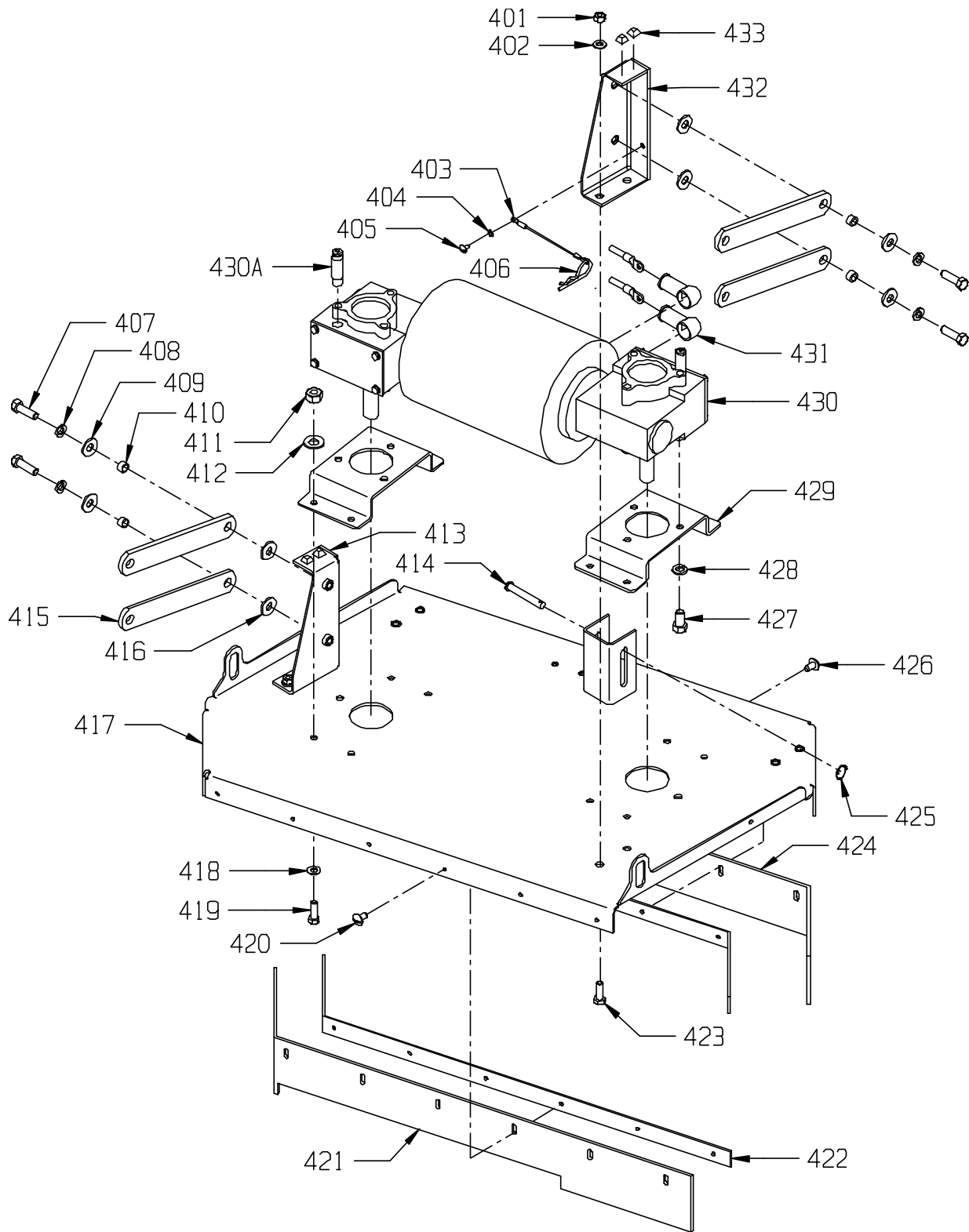
<u>ITEM</u>	<u>PART NO.</u>	<u>DESCRIPTION</u>	<u>QTY.</u>
301	3390411	FORWARD - REVERSE SWITCH	1
302	0798821	5/8" HEX NUT (LARGE NUT)	1
303	7693931	MAIN FRAME	1
304	7691361	ACTUATOR SPRING GUIDE	1
305	2690971	HOSE CLIP	1
306	9120930	9/32 I.D. X 5/8 O.D. X .051/.080 THICK SAE FLAT WASHER (1/4)-PK-10	1
307	9121270	1/4-20 X 1 HEX BOLT - PACK OF 10	1
308	7690191	ACTUATOR MOUNT - REAR	1
309	9997590	QUICKEDGE TRIM	.3
310	9121950	3/8 X 1 5/8 CLEVIS PIN WITH RETAINER - PACK OF 1	1
311	9121520	5/16 SPLIT LOCK WASHER - PACK OF 10	2
312	9121640	5/16-18 X 3/4 HEX BOLT - PACK OF 5	2
313	9122670	1/2-20 HEX JAM NUT - PACK OF 5	1
314	1390156	SQUEEGEE SHAFT	2
315	9122140	3/8-16 HEX NUT WITH NY-LOK INSERT - PACK OF 5	1
316	7691071	SQUEEGEE LIFT CABLE	1
317	9121450	5/16-18 HEX NUT WITH NY-LOK INSERT - PACK OF 5	1
318	9121400	3/8 I.D. X 7/8 O.D. X .064/.104 THICK WROUGHT WASHER (5/16)-PK-10	1
319	7693831	SQUEEGEE BRACKET	1
320	9122020	3/8 DIA. X 3/8 LONG SOCKET HEAD SHOULDER BOLT 5/16-18-PK-1	1
321	9121950	3/8 X 1 5/8 CLEVIS PIN WITH RETAINER - PACK OF 1	1
322	9122340	3/8-16 X 2 HEX BOLT - PACK OF 2	1
323	1391171	3/8 FLANGE NYLINER	4
324	2391941	BALL JOINT	2
325	9122495	1/2-13 HEX NUT WITH NY-LOK INSERT - THIN - PACK OF 1	2
326	2391461	BUSHING - LIFT LEVER	4
327	9122580	1/2-13 X 2 HEX BOLT - PACK OF 1	2
328	7690201	ACTUATOR MOUNT CLAMP	1
329	7690549	BRUSH / SQUEEGEE ACTUATOR KIT	1
	7692209	ACTUATOR LIMIT SWITCH KIT	1
330	2392561	CIRCLE COTTER	1
331	9121640	5/16-18 X 3/4 HEX BOLT - PACK OF 5	2
332	9121520	5/16 SPLIT LOCK WASHER - PACK OF 10	2
333	7694061	FRONT MOUNT - SQUEEGEE ACTUATOR	1
334	7690311	3/8" DIAMETER X 2.505" LONG CLEVIS PIN	1
335	9121640	5/16-18 X 3/4 HEX BOLT - PACK OF 5	2
336	9121520	5/16 SPLIT LOCK WASHER - PACK OF 10	2
337	0693141	RUBBER SWITCH BOOT	1
338	0691851	1/2" INTERNAL STAR LOCK WASHER	1
339	7690491	#6 HAIR COTTER PIN	1
340	7691791	SWITCH GUARD	1
341	3291111	CORD CLAMP	2
342	9120880	1/4 SPLIT LOCK WASHER - PACK OF 10	2
343	9121210	1/4-20 X 5/8 HEX BOLT - PACK OF 10	2
344	2395761	CLAMP, TUBE	1
345	9120880	1/4 SPLIT LOCK WASHER - PACK OF 10	1
346	9121210	1/4-20 X 5/8 HEX BOLT - PACK OF 10	1

SQUEEGEE ACTUATOR ASSEMBLY



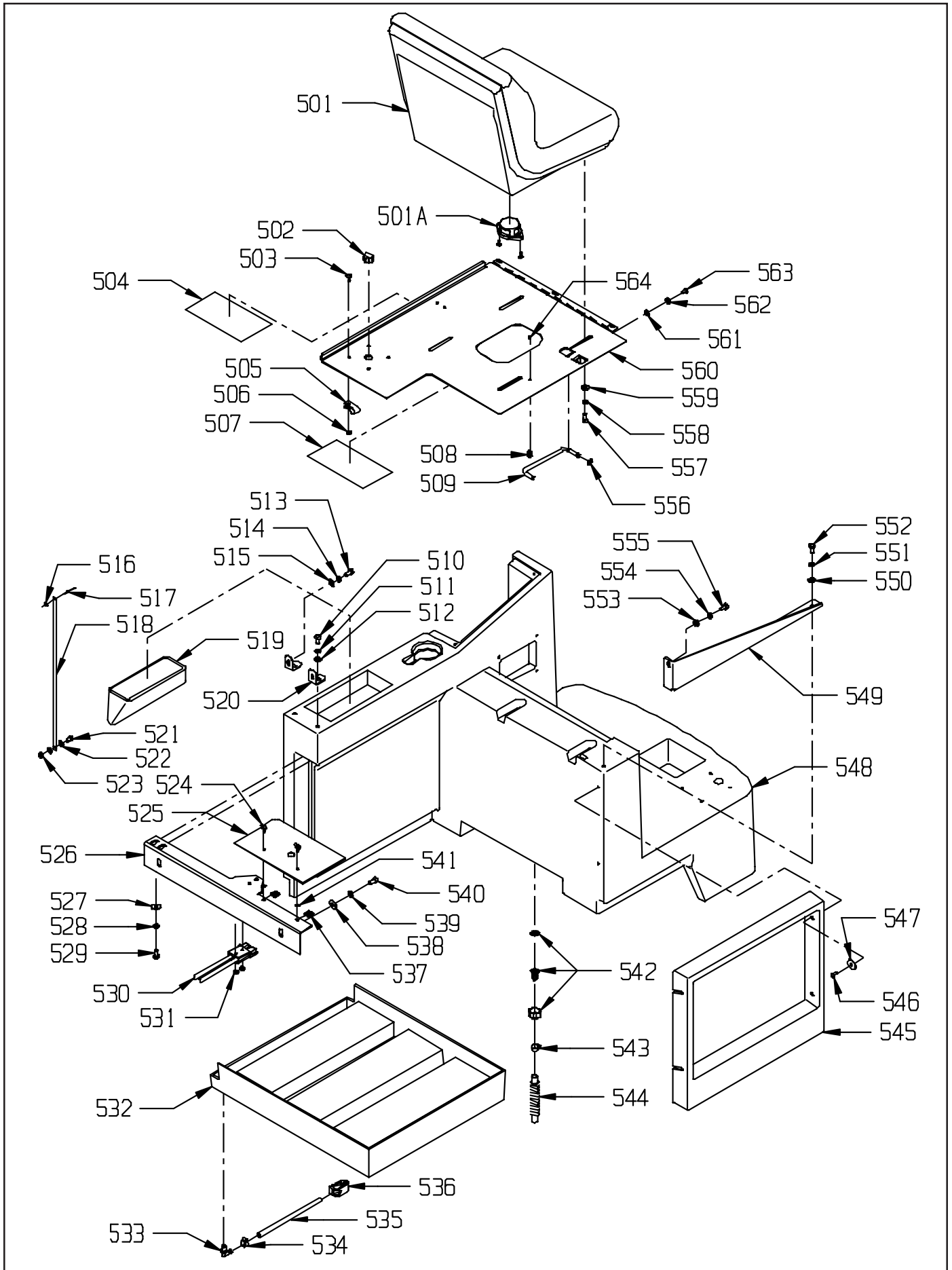
<u>ITEM</u>	<u>PART NO.</u>	<u>DESCRIPTION</u>	<u>QTY.</u>
401	9122140	3/8-16 HEX NUT WITH NY-LOK INSERT - PACK OF 5	4
402	9121400	3/8 I.D. X 7/8 O.D. X .064/.104 THICK WROUGHT WASHER (5/16)-PK-10	4
403	7691331	LANYARD	2
404	9120320	#10 SPLIT LOCK WASHER - PACK OF 10	2
405	9120380	10-24 X 3/8 ROUND HEAD PHILLIPS MACHINE SCREW - PACK OF 10	2
406	7690491	#6 HAIR COTTER PIN	2
407	9122300	3/8-16 X 1 1/4 HEX BOLT - PACK OF 2	4
408	9122100	3/8 SPLIT LOCK WASHER - PACK OF 10	4
409	9121400	3/8 I.D. X 7/8 O.D. X .064/.104 THICK WROUGHT WASHER (5/16)-PK-10	4
410	2691181	PIVOT SPACER, STABILIZER BAR	8
411	9121450	5/16-18 HEX NUT WITH NY-LOK INSERT - PACK OF 10	8
412	9120940	5/16 I.D. X 3/4 O.D. X .051/.080 THICK WROUGHT WASHER (1/4)-PK-10	8
413	7690461	BRUSH PLATE MOUNT BRACKET - LEFT HAND	1
414	7690311	3/8" DIAMETER X 2.505" LONG CLEVIS PIN	1
415	2691171	STABILIZER BAR	4
416	9121400	3/8 I.D. X 7/8 O.D. X .064/.104 THICK WROUGHT WASHER (5/16)-PK-10	4
417	7690403	BRUSH MOTOR PLATE	1
418	9120940	5/16 I.D. X 3/4 O.D. X .051/.080 THICK WROUGHT WASHER (1/4)-PK-10	8
419	9121680	5/16-18 X 1 HEX BOLT - PACK OF 5	8
420	9120510	10-24 X 1/2 TRUSS HEAD PHILLIPS MACHINE SCREW - PACK OF 10	8
421	7690421	REAR SKIRT RUBBER	1
422	7690431	SKIRT RUBBER SECURING STRAP	2
423	9122260	3/8-16 X 1 HEX BOLT - PACK OF 2	4
424	7690411	FRONT SKIRT RUBBER	1
425	2392561	CIRCLE COTTER	1
426	9120510	10-24 X 1/2 TRUSS HEAD PHILLIPS MACHINE SCREW - PACK OF 10	8
427	9122220	3/8-16 X 3/4 HEX BOLT - PACK OF 5	6
428	9122100	3/8 SPLIT LOCK WASHER - PACK OF 10	6
429	7690441	BRUSH MOTOR MOUNT	2
430	7690091	BRUSH MOTOR - INCLUDES:	1
	7691841	BRUSH MOTOR GEAR BOX	2
	7692041	REPLACEMENT CARBON BRUSH - BRUSH MOTOR	4
430A	7691771	BREATHER ASSEMBLY	2
431	6492051	STUD TERMINAL BOOT - RUBBER	2
432	7690451	BRUSH PLATE MOUNT BRACKET - RIGHT HAND	1
433	2392261	BUMPER BUTTON	4

UPPER BRUSH DRIVE ASSEMBLY



<u>ITEM</u>	<u>PART NO.</u>	<u>DESCRIPTION</u>	<u>QTY.</u>
501	7690601	SEAT - INCLUDES:	1
501A	7691801	SEAT SWITCH, SCREW MOUNT	1
501A	7692601	SEAT SWITCH, TWIST MOUNT	1
502	0690761	BUTTON, PLUG	1
503	9121000	1/4-20 X 5/8 TRUSS HEAD PHILLIPS MACHINE SCREW - PACK OF 5	4
504	3394141	OBC WARNING DECAL	1
505	4890851	CABLE CLAMP	1
506	9120900	1/4-20 HEX NUT WITH NY-LOK INSERT - PACK OF 10	4
507	3392811	BATTERY WARNING DECAL	1
508	7691081	3/8 STOWAGE CLIP	1
509	7691191	PROP ROD - BATTERY COVER / SEAT PLATE	1
510	9122220	3/8-16 X 3/4 HEX BOLT - PACK OF 5	2
511	9122100	3/8 SPLIT LOCK WASHER - PACK OF 10	2
512	9121400	3/8 I.D. X 7/8 O.D. X .064/.104 THICK WROUGHT WASHER (5/16)-PK-10	2
513	9122220	3/8-16 X 3/4 HEX BOLT - PACK OF 5	2
514	9122100	3/8 SPLIT LOCK WASHER - PACK OF 10	2
515	9121400	3/8 I.D. X 7/8 O.D. X .064/.104 THICK WROUGHT WASHER (5/16)-PK-10	2
516	9120370	7/32 I.D. X 1/2 O.D. X .032/.065 THICK FLAT WASHER (#10) - PACK OF 10	1
517	9120817	3/16 X 11/16 DOME HEAD POP RIVET - ALUMINUM - PACK OF 5	1
518	7691911	SOLUTION GAGE	1
519	7691249	FILTER SCREEN ASSEMBLY	1
520	7692373	SOLUTION TANK MOUNTING BRACKET	2
521	9121600	5/16-18 X 5/8 HEX BOLT - PACK OF 5	1
522	9121400	3/8 I.D. X 7/8 O.D. X .064/.104 THICK WROUGHT WASHER (5/16)-PK-10	2
523	9121450	5/16-18 HEX NUT WITH NY-LOK INSERT - PACK OF 5	1
524	7692531	1/4 TURN STUD	2
525	7692701	BATTERY COMPARTMENT CORNER PLATE	1
526	7695203	UPPER MOUNTING BRACKET - RECOVERY TANK	1
527	9121400	3/8 I.D. X 7/8 O.D. X .064/.104 THICK WROUGHT WASHER (5/16)-PK-10	2
528	9122100	3/8 SPLIT LOCK WASHER - PACK OF 10	2
529	9122220	3/8-16 X 3/4 HEX BOLT - PACK OF 5	2
530	7691691	WIRING HARNESS: BATTERIES TO CONTROLLER	1
531	9120910	1/4-20 HEX NUT WITH STARLOCK WASHER - PACK OF 10	2
532	7690051	BATTERY BOX	1
533	2490601	FITTING, ELL 3/8 BARB X 1/4 MNPT	1
534	5092371	CORD CLAMP	1
535	8791070	3/8" I.D. X 1/2" O.D. VINYL HOSE - (CUT TO 18")	1.5'
536	3390661	TUBING CONTROL VALVE	1
537	7692551	1/4 TURN CLIP ON RECEPTACLE	2
538	9121400	3/8 I.D. X 7/8 O.D. X .064/.104 THICK WROUGHT WASHER (5/16)-PK-10	2
539	9122100	3/8 SPLIT LOCK WASHER - PACK OF 10	2
540	9122220	3/8-16 X 3/4 HEX BOLT - PACK OF 5	2
541	7692541	WASHER FOR 1/4 TURN STUD	2
542	7693771	FILTER FITTING 3/4 HOSE BARB AND COLLAR	1
543	7693811	HOSE CLAMP - 9/16" TO 1 1/16"	1
544	7693781	3/4" DIAMETER X 6 1/2" LONG CONVOLUTED HOSE	1
545	7690061	SIDE COVER	1
546	9121000	1/4-20 X 5/8 TRUSS HEAD PHILLIPS MACHINE SCREW - PACK OF 5	4
547	9120950	1/4 I.D. X 1 1/4 O.D. FENDER WASHER - PACK OF 10	4
548	7690011	SOLUTION TANK	1
549	7691013	SOLUTION TANK MOUNTING BRACKET - RIGHT	1
550	9121400	3/8 I.D. X 7/8 O.D. X .064/.104 THICK WROUGHT WASHER (5/16)-PK-10	1
551	9122100	3/8 SPLIT LOCK WASHER - PACK OF 10	1
552	9122220	3/8-16 X 3/4 HEX BOLT - PACK OF 5	1
553	9121980	3/8 FLAT WASHER - PACK OF 10	1
554	9122100	3/8 SPLIT LOCK WASHER - PACK OF 10	1
555	9122220	3/8-16 X 3/4 HEX BOLT - PACK OF 5	1
556	7691091	3/8 EXTERNAL E-RING - PROP ROD	2
567	9121640	5/16-18 X 3/4 HEX BOLT - PACK OF 5	4
558	9121520	5/16 SPLIT LOCK WASHER - PACK OF 10	4
559	9120940	5/16 I.D. X 3/4 O.D. X .051/.080 THICK WROUGHT WASHER (1/4)-PK-10	4
560	7692691	BATTERY COVER / SEAT PLATE	1
561	9120930	9/32 I.D. X 5/8 O.D. X .051/.080 THICK SAE FLAT WASHER (1/4)-PK-10	3
562	9120970	1/4 EXTERNAL STAR LOCK WASHER - PACK OF 10	3
563	9121000	1/4-20 X 5/8 TRUSS HEAD PHILLIPS MACHINE SCREW - PACK OF 5	3
564	9120307	1/8 X 3/16 DOME HEAD POP RIVET - ALUMINUM - PACK OF 5	1

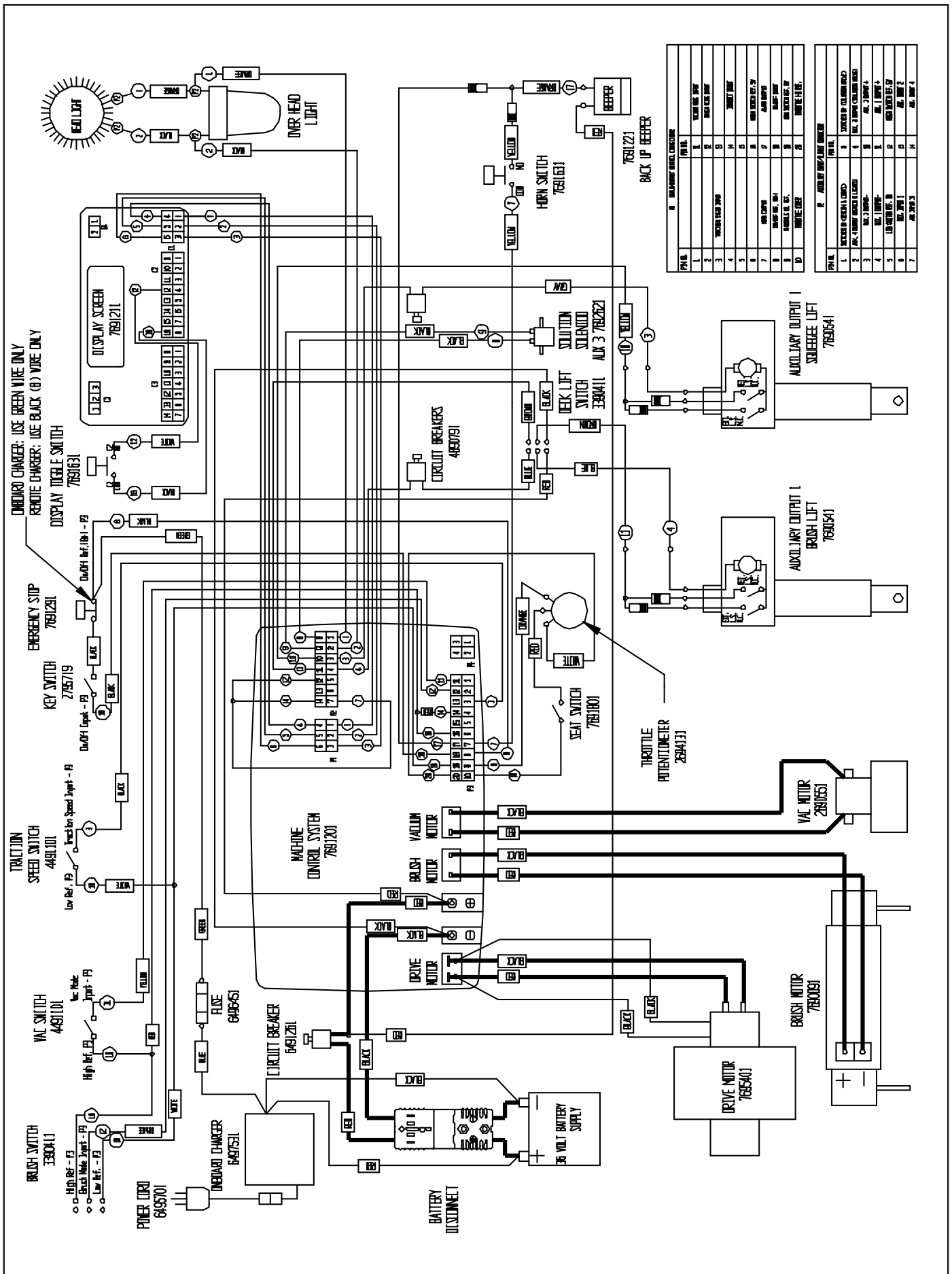
SOLUTION TANK ASSEMBLY



ELECTRICAL COMPONENTS

<u>PART NO.</u>	<u>DESCRIPTION</u>	<u>QTY.</u>
0693141	RUBBER SWITCH BOOT	4
2391981	BATTERY JUMPER 3/8" RING	5
2398181	1/4 RING 16-14 GAGE NYLON INSULATION	1
2690551	VAC MOTOR, 36 VOLT	1
2792571	REPLACEMENT CARBON BRUSH - VAC MOTOR	2
2690581	1/4 SPADE MALE TERMINAL 12-10 GAGE	2
2694131	POTENTIOMETER, CURTIS SPEED CONTROLLER	1
3390411	FORWARD - REVERSE SWITCH	2
3393521	ACTUATOR, EMERGENCY STOP	1
7691301	EMERGENCY STOP BLOCK	1
4491101	TOGGLE SWITCH, MOTOR	2
4890791	CIRCUIT BREAKER - 2 AMP	2
4990321	FUSE HOLDER WITH NUT	1
4991371	FULL INSULATED MALE TERMINAL 18-22 GAGE	2
6491261	CIRCUIT BREAKER - 90 AMP	1
6492051	RUBBER TERMINAL BOOT (BLACK)	4
6497531	36V ONBOARD CHARGER 120/240 VOLT 25 AMP	1
6495701	120 VOLT ONBOARD CHARGER CORD	1
6495711	240 VOLT ONBOARD CHARGER CORD	1
6496451	FAST-ACTING FUSE 2AMP	1
7692621	SOLUTION SOLENOID VALVE	1
7690541	BRUSH / SQUEEGEE ACTUATOR MOTOR	2
7691201	MACHINE CONTROL SYSTEM	1
7691211	LCD MODULE	1
7691221	BACK UP ALARM	1
7691621	CIRCUIT BREAKER TO CONTROLLER	1
7691631	PUSH BUTTON SWITCH	2
7691641	EMERGENCY STOP TO KEY SWITCH	1
7691651	CONTROLLER TO LCD	1
7691671	CONTROLLER TO BRUSH	1
7691691	WIRING HARNESS: BATTERIES TO CONTROLLER	1
7691701	MAIN WIRING HARNESS	1
7691721	LCD TO SWITCH	1
7691731	GROUND WIRE	2
7691741	BACK-UP ALARM WIRE	1
7691751	WIRE ASSEMBLY - HIGH REFERENCE	1
7691761	WIRE ASSEMBLY - LOW REFERENCE	1
7691781	WIRE ASSEMBLY - OVERRIDE SWITCH TO BRUSH ACTUATOR	1
7691801	SEAT SWITCH, SCREW	1
7692601	SEAT SWITCH, TWIST MOUNT	1
7692641	AUXILIARY HARNESS TO CONTROLER	1
7692091	ACTUATOR SETTING INSTRUCTIONS	1
7692511	KEY SWITCH WITH KEY	1
7692521	REPLACEMENT KEY FOR 7692511	1
7695401	CHASSIS DRIVE 250	1
7695271	CARBON BRUSH - DRIVE WHEEL	4
7690091	BRUSH MOTOR	1
7692041	CARBON BRUSH - BRUSH MOTOR	4
7692911	HARNESS CONTROLLER TO DRIVE MOTOR WITH ELECTRIC BRAKE	1
7695211	WIRING ASSEMBLY, ANDERSON TO +/- BATTERY	1
7691829	OVERHEAD LIGHT KIT	1
7691821	OVERHEAD LIGHT (OPTIONAL)	1
7691831	HEADLIGHT (OPTIONAL)	1
7692031	STROBE LIGHT BULB	1
7692021	HEADLIGHT BULB	1
9123000	1/8 X 11" WIRE TIE - PACK OF 5	1
9123005	5 1/2" LONG WIRE TIE - PACK OF 5	5
2690951	BATTERY, DRY, 6 VOLT, 325 AMP / HOUR	6
2691501	BATTERY, WET, 6 VOLT, 325 AMP / HOUR	6
3390361	BATTERY, WET, 6VOLT, 225 AMP/HR	6
3390951	BATTERY, DRY 6 VOLT, 225 AMP/HR	6
7691401	BATTERY - 395 AMP HOUR - 6 VOLT DC - WET	6
7691421	BATTERY - 395 AMP HOUR - 6 VOLT DC - DRY	6

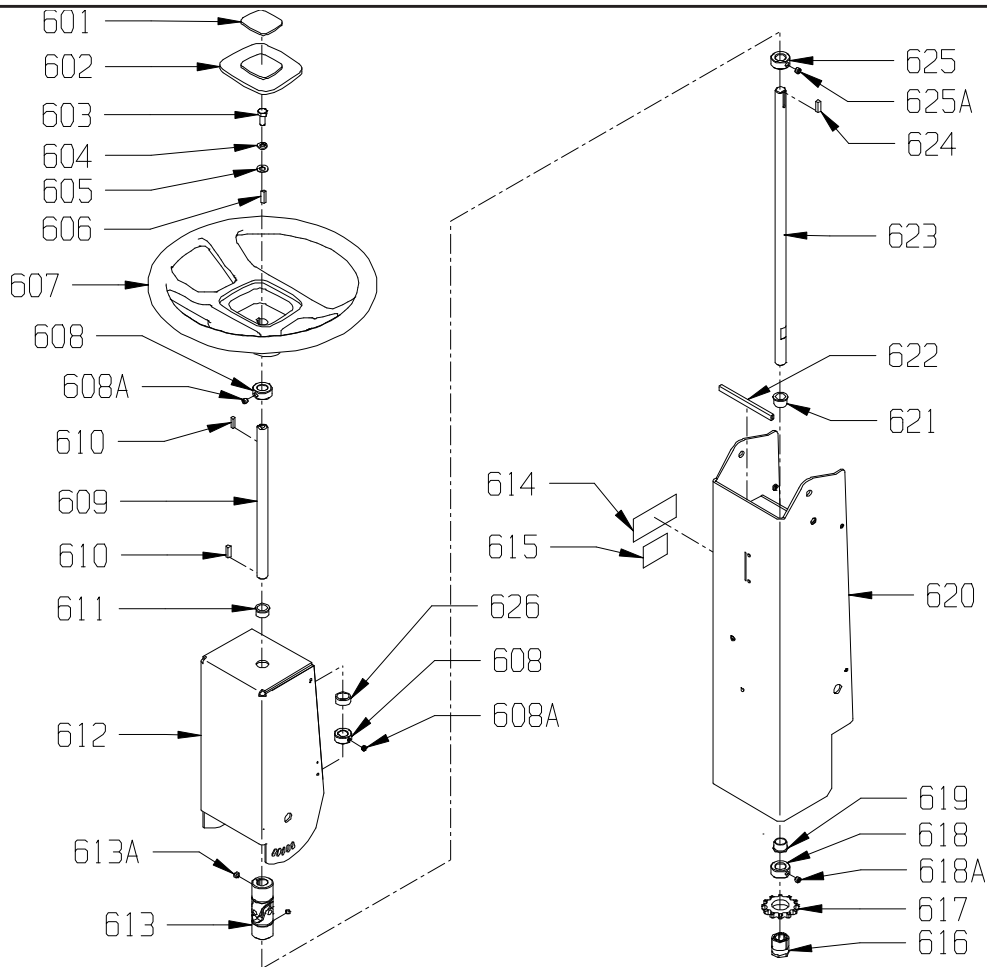
WIRING DIAGRAM



A. DISPLAY TABLE SWITCH	
WIRE NO.	WIRE COLOR
1	BLACK
2	BLACK
3	BLACK
4	BLACK
5	BLACK
6	BLACK
7	BLACK
8	BLACK
9	BLACK
10	BLACK
11	BLACK
12	BLACK
13	BLACK
14	BLACK
15	BLACK
16	BLACK
17	BLACK
18	BLACK
19	BLACK
20	BLACK
21	BLACK
22	BLACK
23	BLACK
24	BLACK
25	BLACK
26	BLACK
27	BLACK
28	BLACK
29	BLACK
30	BLACK
31	BLACK
32	BLACK
33	BLACK
34	BLACK
35	BLACK
36	BLACK
37	BLACK
38	BLACK
39	BLACK
40	BLACK
41	BLACK
42	BLACK
43	BLACK
44	BLACK
45	BLACK
46	BLACK
47	BLACK
48	BLACK
49	BLACK
50	BLACK
51	BLACK
52	BLACK
53	BLACK
54	BLACK
55	BLACK
56	BLACK
57	BLACK
58	BLACK
59	BLACK
60	BLACK
61	BLACK
62	BLACK
63	BLACK
64	BLACK
65	BLACK
66	BLACK
67	BLACK
68	BLACK
69	BLACK
70	BLACK
71	BLACK
72	BLACK
73	BLACK
74	BLACK
75	BLACK
76	BLACK
77	BLACK
78	BLACK
79	BLACK
80	BLACK
81	BLACK
82	BLACK
83	BLACK
84	BLACK
85	BLACK
86	BLACK
87	BLACK
88	BLACK
89	BLACK
90	BLACK
91	BLACK
92	BLACK
93	BLACK
94	BLACK
95	BLACK
96	BLACK
97	BLACK
98	BLACK
99	BLACK
100	BLACK

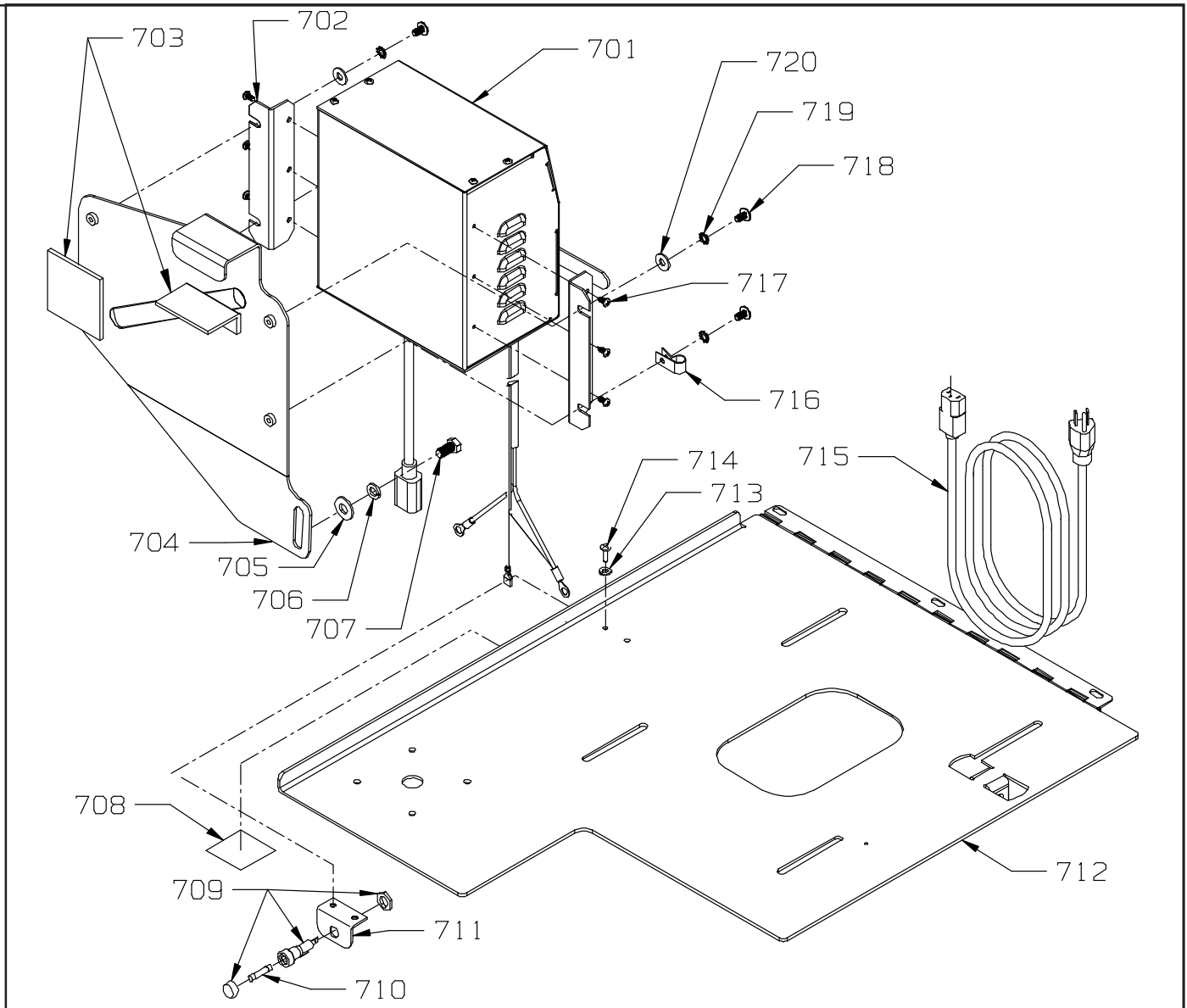
B. AUXILIARY OUTPUT SWITCH	
WIRE NO.	WIRE COLOR
1	BLACK
2	BLACK
3	BLACK
4	BLACK
5	BLACK
6	BLACK
7	BLACK
8	BLACK
9	BLACK
10	BLACK
11	BLACK
12	BLACK
13	BLACK
14	BLACK
15	BLACK
16	BLACK
17	BLACK
18	BLACK
19	BLACK
20	BLACK
21	BLACK
22	BLACK
23	BLACK
24	BLACK
25	BLACK
26	BLACK
27	BLACK
28	BLACK
29	BLACK
30	BLACK
31	BLACK
32	BLACK
33	BLACK
34	BLACK
35	BLACK
36	BLACK
37	BLACK
38	BLACK
39	BLACK
40	BLACK
41	BLACK
42	BLACK
43	BLACK
44	BLACK
45	BLACK
46	BLACK
47	BLACK
48	BLACK
49	BLACK
50	BLACK
51	BLACK
52	BLACK
53	BLACK
54	BLACK
55	BLACK
56	BLACK
57	BLACK
58	BLACK
59	BLACK
60	BLACK
61	BLACK
62	BLACK
63	BLACK
64	BLACK
65	BLACK
66	BLACK
67	BLACK
68	BLACK
69	BLACK
70	BLACK
71	BLACK
72	BLACK
73	BLACK
74	BLACK
75	BLACK
76	BLACK
77	BLACK
78	BLACK
79	BLACK
80	BLACK
81	BLACK
82	BLACK
83	BLACK
84	BLACK
85	BLACK
86	BLACK
87	BLACK
88	BLACK
89	BLACK
90	BLACK
91	BLACK
92	BLACK
93	BLACK
94	BLACK
95	BLACK
96	BLACK
97	BLACK
98	BLACK
99	BLACK
100	BLACK

INNER STEERING COLUMN ASSEMBLY



<u>ITEM</u>	<u>PART NO.</u>	<u>DESCRIPTION</u>	<u>QTY.</u>
601	7690931	DECAL - STEERING WHEEL	1
602	7690631	CAP - STEERING WHEEL	1
603	9121640	5/16-18 X 3/4 HEX BOLT - PACK OF 5	1
604	9121520	5/16 SPLIT LOCK WASHER - PACK OF 10	1
605	9121985	13/32 I.D. X 1 O.D. X .12 THICK FLAT WASHER (11 GAGE) - PACK OF 1	1
606	9120827	3/16 SQUARE X 1 LONG KEY - STEEL - PACK OF 2	1
607	7690611	STEERING WHEEL	1
608	7690661	5/8 SET COLLAR / STEERING SHAFT - INCLUDES:	2
608A	9121380	5/16-18 X 3/8 SET SCREW - KNURL POINT - PACK OF 2	2
609	7690921	UPPER STEERING SHAFT	1
610	9120827	3/16 SQUARE X 1 LONG KEY - STEEL - PACK OF 2	2
611	2790761	BEARING, FLANGE FF-71	1
612	7690733	UPPER COLUMN	1
613	7690621	UNIVERSAL JOINT - STEERING - INCLUDES:	1
613A	9121380	5/16-18 X 3/8 SET SCREW - KNURL POINT - PACK OF 2	2
614	7692281	NAMING IDENTIFICATION LABEL	1
615	5392401	WARNING - FIRE DECAL	1
616	7691311	TRAN - TORQUE KEYLESS BUSHING	1
617	7691321	SPROCKET	1
618	7690661	5/8 SET COLLAR / STEERING SHAFT - INCLUDES:	1
618A	9121380	5/16-18 X 3/8 SET SCREW - KNURL POINT - PACK OF 2	1
619	2790761	BEARING, FLANGE FF-71	1
620	7692921	STEERING COLUMN - BASE	1
621	2790761	BEARING, FLANGE FF-71	1
622	9997590	EDGE TRIM (CUT TO 6")	.5'
623	7690911	LOWER STEERING SHAFT	1
624	9120827	3/16 SQUARE X 1 LONG KEY - STEEL - PACK OF 2	1
625	7690661	5/8 SET COLLAR / STEERING SHAFT - INCLUDES:	1
625A	9121380	5/16-18 X 3/8 SET SCREW - KNURL POINT - PACK OF 2	1
626	4492921	SPACER	1

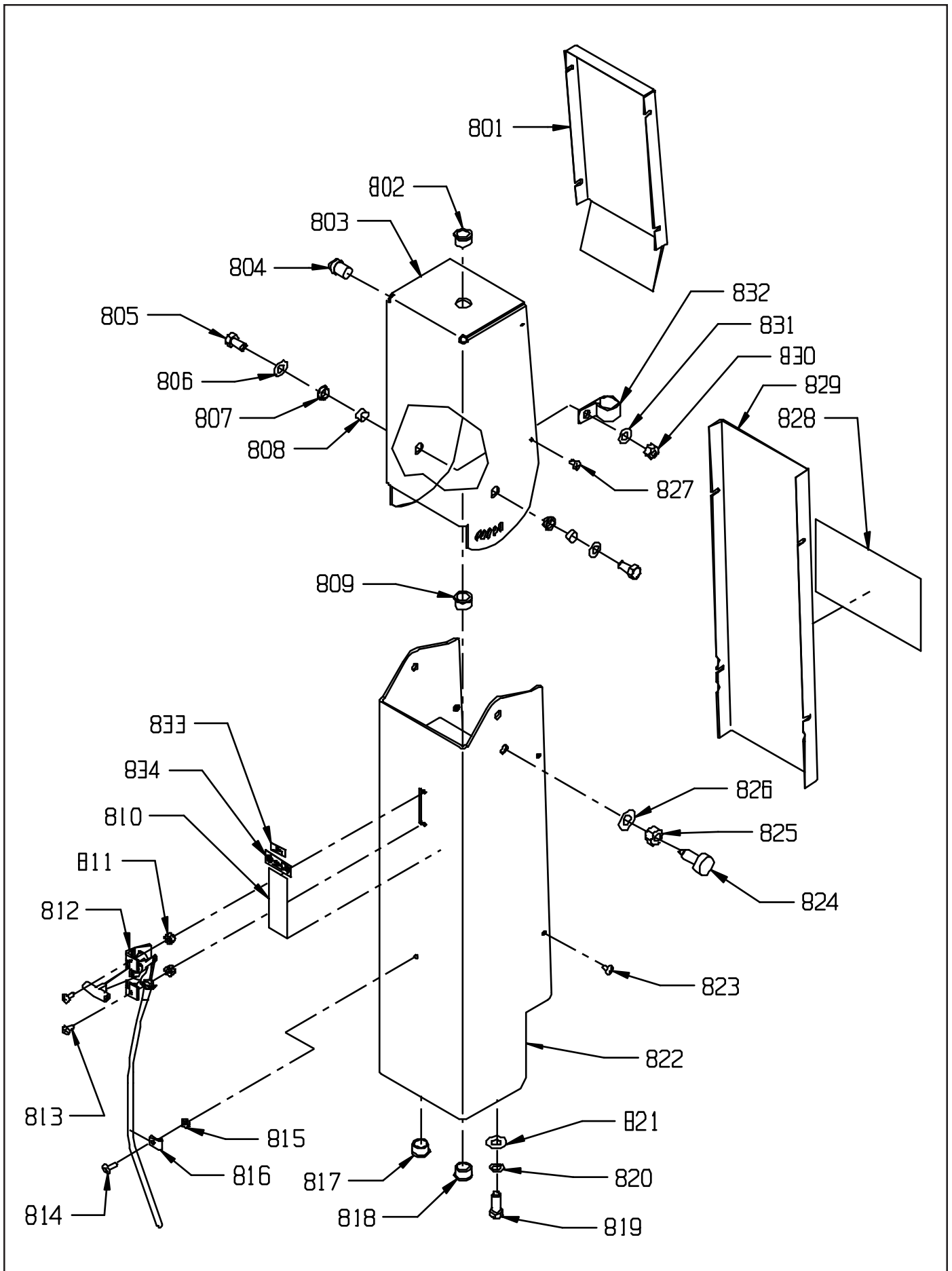
ONBOARD CHARGER



ITEM	PART NO.	DESCRIPTION	QTY.
701	6497531	36 VOLT ONBOARD CHARGER 120/240 VOLT, 25 AMP - INCLUDES:	1
	2695861	CORD WRAP	1
702	2695841	CHARGER MOUNTING BRACKET	2
703	7692711	MOUNTING BRACKET PAD	2
704	7692681	ONBOARD CHARGER MOUNT	1
705	9120930	3/8 FLAT WASHER - PACK OF 2	4
706	9120880	3/8 LOCK WASHER - PACK OF 10	4
707	9121250	3/8-16 X 3/4" LONG HEX HEAD BOLT - PACK OF 5	4
708	3394721	FUSE DECAL	1
709	4990321	FUSE HOLDER WITH NUT & WASHER	1
710	6496451	FAST-ACTING FUSE 2 AMP	1
711	7692253	FUSE HOLDER MOUNT	1
712	7692691	BATTERY COVER/SEAT PLATE	1
713	9120330	#10 EXTERNAL STAR LOCK WASHER - PACK OF 10	2
714	9120500	10-24 X 3/8 FLAT HEAD PHILLIPS MACHINE SCREW - PACK OF 10	2
715	6495701	120 VOLT ONBOARD CHARGER CORD	1
	6495711	240 VOLT ONBOARD CHARGER CORD	1
716	3291111	CORD CLAMP	1
717	9120810	#10 X 1/2 PAN HEAD SHEET METAL SCREW - PACK OF 10	6
718	9121090	1/4-20 X 1/2 TRUSS HEAD PHILLIPS MACHINE SCREW - PACK OF 5	4
719	9120970	1/4 STAR LOCK WASHER - PACK OF 10	4
720	9120940	1/4 FLAT WASHER - PACK OF 10	4

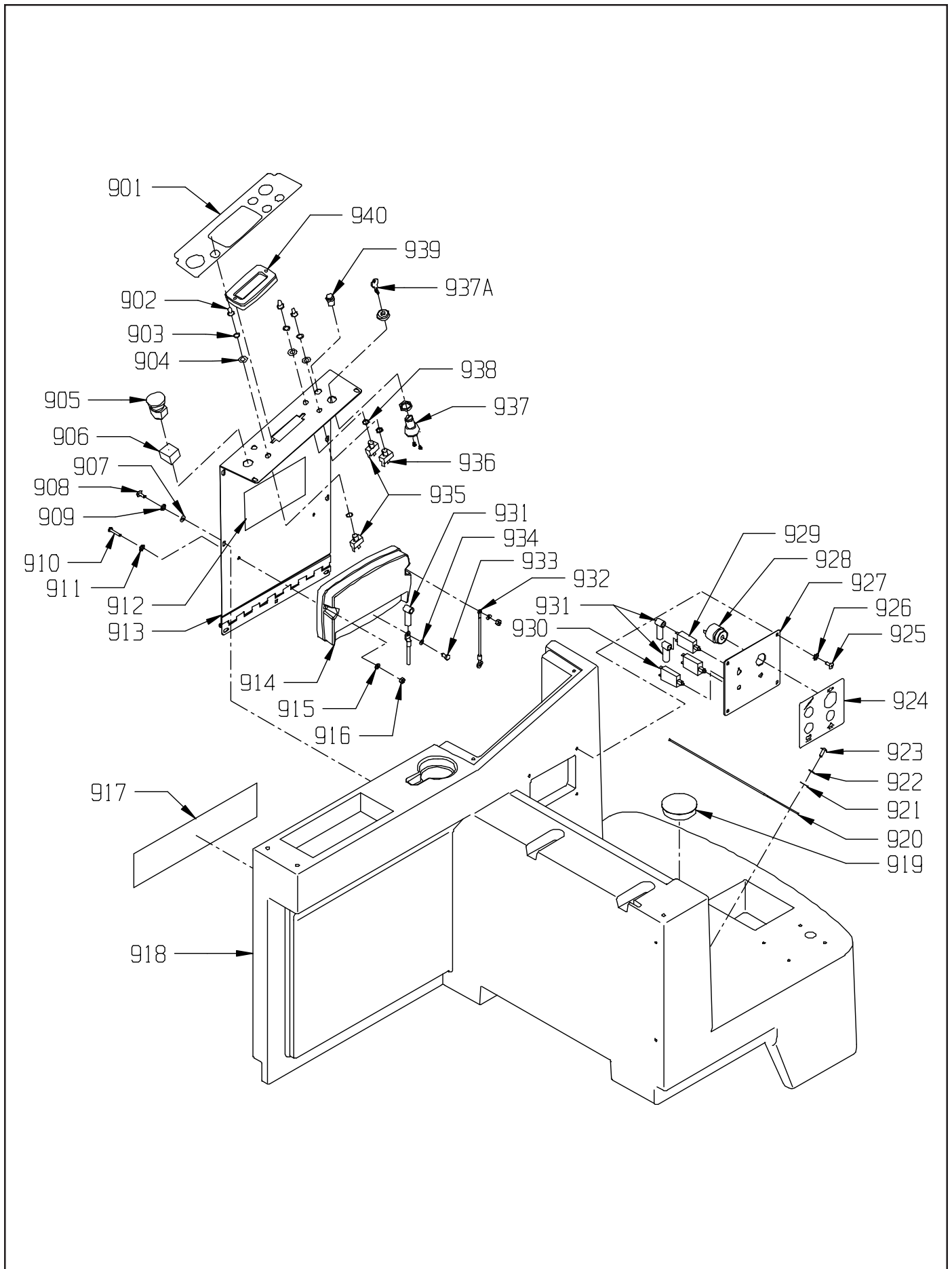
ITEM	PART NO.	DESCRIPTION	QTY.
801	7690743	TILT COLUMN COVER	1
802	2790761	BEARING, FLANGE FF-71	1
803	7690733	UPPER COLUMN	1
804	7691631	PUSH BUTTON SWITCH	1
805	9122300	3/8-16 X 1 1/4 HEX BOLT - PACK OF 2	2
806	9121400	3/8 I.D. X 7/8 O.D. X .064/.104 THICK WROUGHT WASHER (5/16)-PK-10	2
807	7690691	NYLINER - STEERING TILT	2
808	2691181	PIVOT SPACER, STABILIZER BAR	2
809	2790761	BEARING, FLANGE FF-71	1
810	7692301	BLACK AND WHITE MINI KIT	1
811	9120360	10-24 HEX NUT WITH STAR LOCK WASHER - PACK OF 10	2
812	7691051	SOLUTION LEVER AND CABLE ASSEMBLY	1
813	9120420	10-24 X 5/8 ROUND HEAD PHILLIPS MACHINE SCREW - PACK OF 10	2
814	9120420	10-24 X 5/8 ROUND HEAD PHILLIPS MACHINE SCREW - PACK OF 10	1
815	9120360	10-24 HEX NUT WITH STAR LOCK WASHER - PACK OF 10	1
816	5294201	NYLON CABLE CLAMP	1
817	4890451	BUSHING, SNAP IN, #SB87511 HEYCO	1
818	2790761	BEARING, FLANGE FF-71	1
819	9122260	3/8-16 X 1 HEX BOLT - PACK OF 2	4
820	9122100	3/8 SPLIT LOCK WASHER - PACK OF 10	4
821	9121400	3/8 I.D. X 7/8 O.D. X .064/.104 THICK WROUGHT WASHER (5/16)-PK-10	4
822	7692921	STEERING COLUMN - BASE	1
823	9120500	10-24 X 3/8 TRUSS HEAD PHILLIPS MACHINE SCREW - PACK OF 10	4
824	7690701	RETRACTABLE PLUNGER - TILT STEERING	1
825	9122680	1/2-13 HEX JAM NUT - PACK OF 5	1
826	9122450	17/32 I.D. X 1 1/16 O.D. X .074/.121 THICK SAE FLAT WASHER (1/2)-PK-5	1
827	9120500	10-24 X 3/8 TRUSS HEAD PHILLIPS MACHINE SCREW - PACK OF 10	4
828	0393531	NSS LOGO DECAL 3.5 X 4.0	1
829	7690723	COVER - BASE	1
830	9122140	3/8-16 HEX NUT WITH NY-LOCK INSERT - PACK OF 5	2
831	9121400	3/8 I.D. X 7/8 O.D. X .064/.104 THICK WROUGHT WASHER (5/16)-PK-10	2
832	2395761	CLAMP, TUBE	1
833	3394561	LABEL, MAX INCLINE	1
834	3394731	LABEL, MAX CLIMBING INCLINE	1

STEERING COLUMN ASSEMBLY



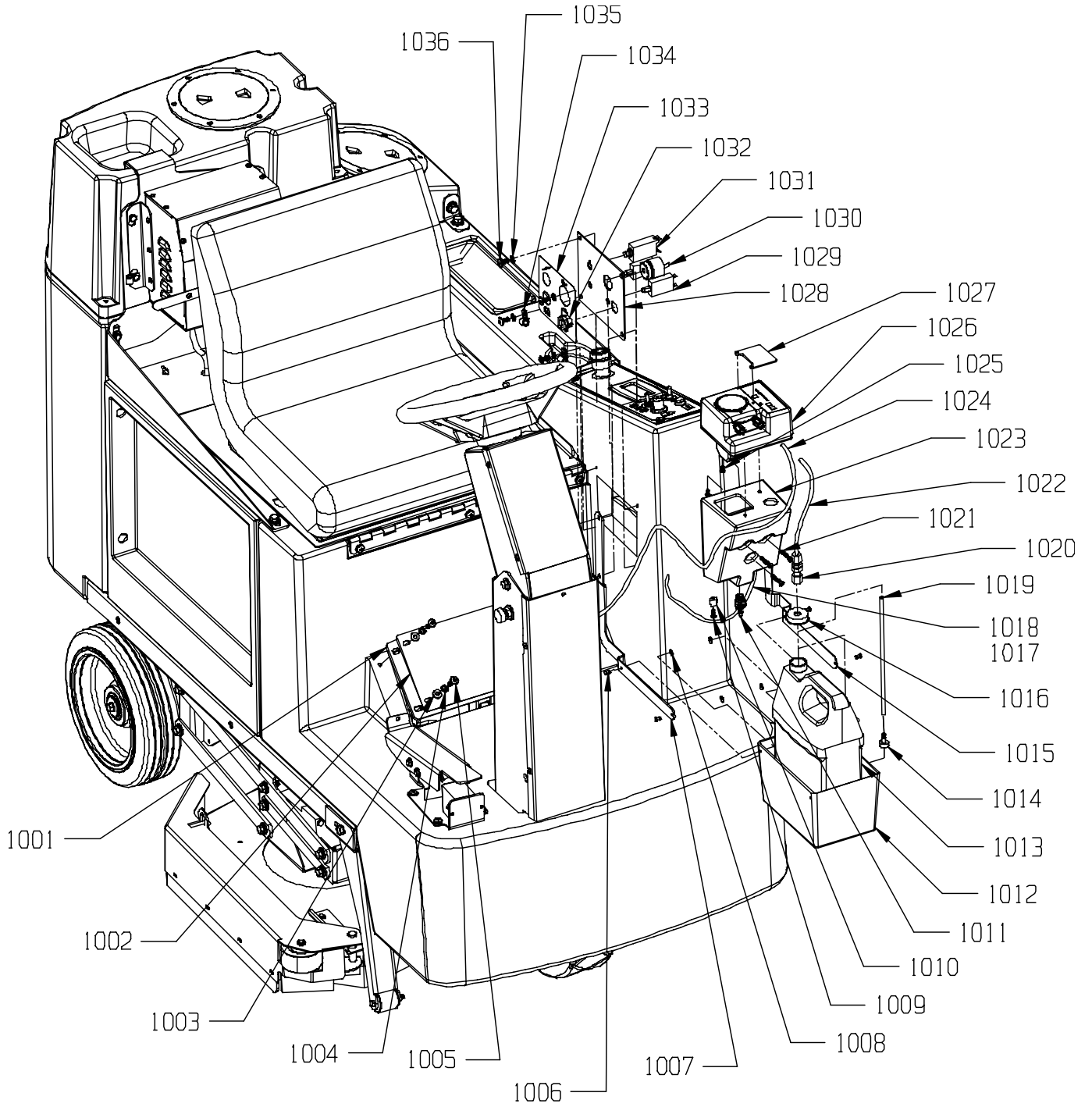
<u>ITEM</u>	<u>PART NO.</u>	<u>DESCRIPTION</u>	<u>QTY.</u>
901	7691811	ELECTRICAL PANEL - DECAL	1
902	0693141	RUBBER SWITCH BOOT	3
903	0691851	1/2 INTERNAL STAR LOCK WASHER	3
904	9122465	.516 I.D. X .813 O.D. X .027/.030 THICK FLAT WASHER	3
905	3393549	EMERGENCY STOP KIT	1
906	7691301	EMERGENCY STOP BLOCK	1
907	9120930	9/32 I.D. X 5/8 O.D. X .051/.080 THICK SAE FLAT WASHER (1/4)-PK-10	7
908	9121000	1/4-20 X 5/8 TRUSS HEAD PHILLIPS MACHINE SCREW - PACK OF 5	7
909	9120970	1/4 EXTERNAL STAR LOCK WASHER - PACK OF 10	7
910	9120460	10-24 X 1 1/4 ROUND HEAD PHILLIPS MACHINE SCREW-PK-10	2
911	9120330	#10 EXTERNAL STAR LOCK WASHER - PACK OF 10	2
912	7692931	2929 WIRING DIAGRAM DECAL	1
913	7694333	ELECTRICAL PANEL	1
914	7691201	MACHINE CONTROL SYSTEM	1
915	9120370	7/32 I.D. X 1/2 O.D. X .032/.065 THICK SAE FLAT WASHER (#10)-PK-10	2
916	9120350	10-24 HEX NUT WITH NY-LOK INSERT - PACK OF 10	2
917	7692561	NSS LOGO DECAL - 3.5 X 20	1
918	7690011	SOLUTION TANK	1
919	6490791	PLUG 3"	1
920	7690123	ACTUATOR COVER PANEL	1
921	9120930	9/32 I.D. X 5/8 O.D. X .051/.080 THICK SAE FLAT WASHER (1/4)-PK-10	4
922	9120970	1/4 EXTERNAL STAR LOCK WASHER - PACK OF 10	4
923	9121000	1/4-20 X 5/8 TRUSS HEAD PHILLIPS MACHINE SCREW - PACK OF 5	4
924	7692301	BLACK AND WHITE MINI KIT	1
925	9121000	1/4-20 X 5/8 TRUSS HEAD PHILLIPS MACHINE SCREW - PACK OF 5	4
926	9120970	1/4 EXTERNAL STAR LOCK WASHER - PACK OF 10	4
927	7692781	PANEL - CIRCUIT BREAKER	1
928	7691221	BACK UP ALARM	1
929	6491261	CIRCUIT BREAKER - 90 AMP	1
930	4890791	CIRCUIT BREAKER - 2 AMP	2
931	7692421	TERMINAL BOOT (RED)	3
932	7691731	GROUND WIRE	1
933	9120835	M6 X 12.7 HEX HEAD BOLT - PACK OF 2	2
934	9120970	1/4 EXTERNAL STAR LOCK WASHER - PACK OF 10	2
935	4491101	TOGGLE SWITCH, MOTOR	2
936	3390411	FORWARD - REVERSE SWITCH	1
937	7692511	KEY SWITCH WITH KEY	1
937A	7692521	REPLACEMENT KEY FOR 7692511	1
938	0798821	5/8" HEX NUT (LARGE NUT)	3
939	7691631	PUSH BUTTON SWITCH	1
940	7691211	LCD MODULE	1

STANDARD ELECTRICAL PANEL ASSEMBLY



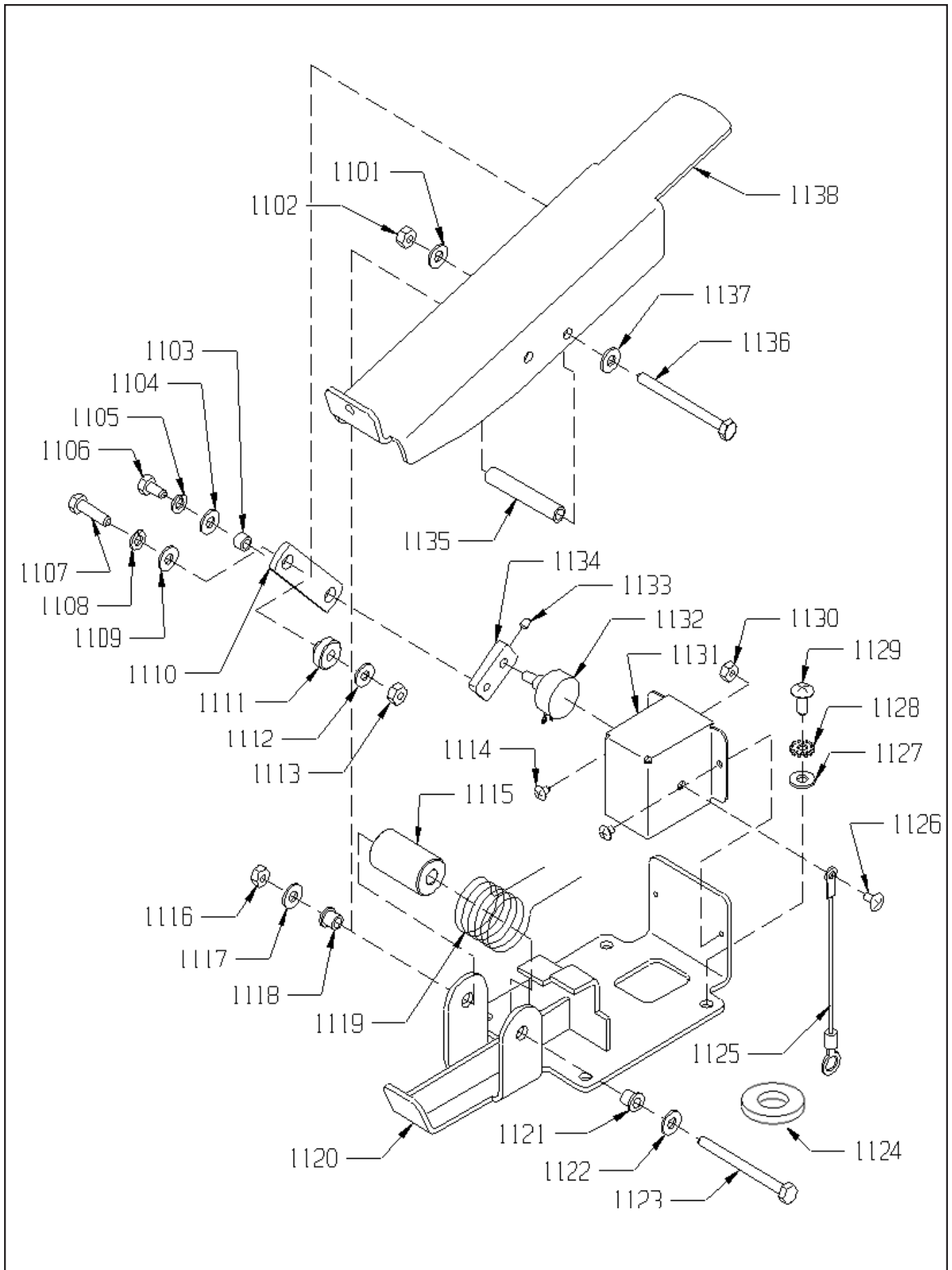
ITEM	PART NO.	DESCRIPTION	QTY.
1001	7692851	ACTUATOR COVER GASKET (SIDEKICK ONLY)	1
1002	7690123	ACTUATOR COVER PANEL	1
1003	9120930	9/32 I.D. X 5/8 O.D. X .051/.080 THICK SAE FLAT WASHER (1/4) - PACK OF 10	4
1004	9120970	1/4 EXTERNAL STAR LOCK WASHER - PACK OF 10	4
1005	9121020	1/4-20 X 1" TRUSS HEAD PHILLIPS MACHINE SCREW - PACK OF 5	4
1006	9120319	5/32 X 3/8 POP RIVET - PACK OF 5 (SIDEKICK ONLY)	4
1007	7692891	INNER BOTTLE HOLDER STRAP (SIDEKICK ONLY)	1
1008	9120185	5/32 ID BACKUP WASHER - PACK OF 6 (SIDEKICK ONLY)	4
1009	9120790	#10 X 5/8 PAN HEAD PHILLIPS SHEETMETAL SCREW - PACK OF 10 (SK ONLY)	1
1010	6793651	CABLE CLAMP (SIDEKICK ONLY)	1
1011	2693991	1/4 BARB X 1/4 NPT BULKHEAD FITTING (SIDEKICK ONLY)	1
1012	7692871	BOTTLE HOLDER (SIDEKICK ONLY)	1
1013	9590171	F-STYLE BOTTLE (OPTIONAL) (SIDEKICK ONLY)	1
1014	9590291	SUCTION STRAINER (SIDEKICK ONLY)	1
1015	7692881	OUTER BOTTLE HOLDER STRAP (SIDEKICK ONLY)	1
1016	9590271	38mm BOTTLE CAP (SIDEKICK ONLY)	1
1017	7693241	STRAIN RELIEF (SIDEKICK ONLY)	1
1018	7692861	SIDEKICK CABLE (SIDEKICK ONLY)	1
1019	9590321	1/4 OD NYLON TUBING - CUT TO LENGTH AS REQ'D (SIDEKICK ONLY)	1
1020	9590281	1/4 JACO BULKHEAD FITTING	1
1021	9120793	#10 X 1 1/2 PAN HEAD PHILLIPS SHEETMETAL SCREW (SK ONLY)	3
1022	9590321	1/4 OD NYLON TUBING X 12" LONG (SIDEKICK ONLY)	1
1023	7692791	SIDEKICK PUMP MOUNT (SIDEKICK ONLY)	1
1024	9590321	1/4 OD NYLON TUBING X 65" LONG (SIDEKICK ONLY)	1
1025	9120810	#10 X 1/2 PAN HEAD PHILLIPS SHEETMETAL SCREW - PACK OF 10 (SK ONLY)	2
1026	9590101	KIT, SIDEKICK CHEMICAL METERING	1
	9590211	REPLACEMENT CONTROL BOARD	1
	9590121	REPLACEMENT PUMP TOP HOUSING	1
	9590131	REPLACEMENT PUMP BOTTOM HOUSING	1
	9590311	REPLACEMENT SPINNER ASSY	1
	9590141	REPLACEMENT SQUEEZE TUBE WITH FITTINGS	1
	9590151	REPLACEMENT SQUEEZE TUBE COVER	1
	9590291	SUCTION STRAINER	1
1027	9590189	KIT, CONTROL COVER-SIDEKICK - OPTIONAL; INCLUDES	1
	3394261	DILUTION CONTROL COVER	1
	9590191	#6 X 1/2 TAMPERPROOF SCREW	2
	9590201	TAMPERPROOF SCREW TOOL	1
1028	7692781	CIRCUIT BREAK PANEL	1
1029	4890791	CIRCUIT BREAKER - 2 AMP	2
1030	7691221	BACK UP ALARM	1
1031	6491261	CIRCUIT BREAKER - 90 AMP	1
1032	7693241	STRAIN RELIEF (SIDEKICK ONLY)	1
1033	7692301	BLACK AND WHITE MINI KIT	1
1034	3291111	CORD CLAMP (SIDEKICK ONLY)	2
1035	9120970	1/4 EXTERNAL STAR LOCK WASHER - PACK OF 10	4
1036	9121000	1/4-20 X 5/8 TRUSS HEAD PHILLIPS MACHINE SCREW - PACK OF 10	4

SIDEKICK & ELECTRICAL PANEL ASSEMBLY

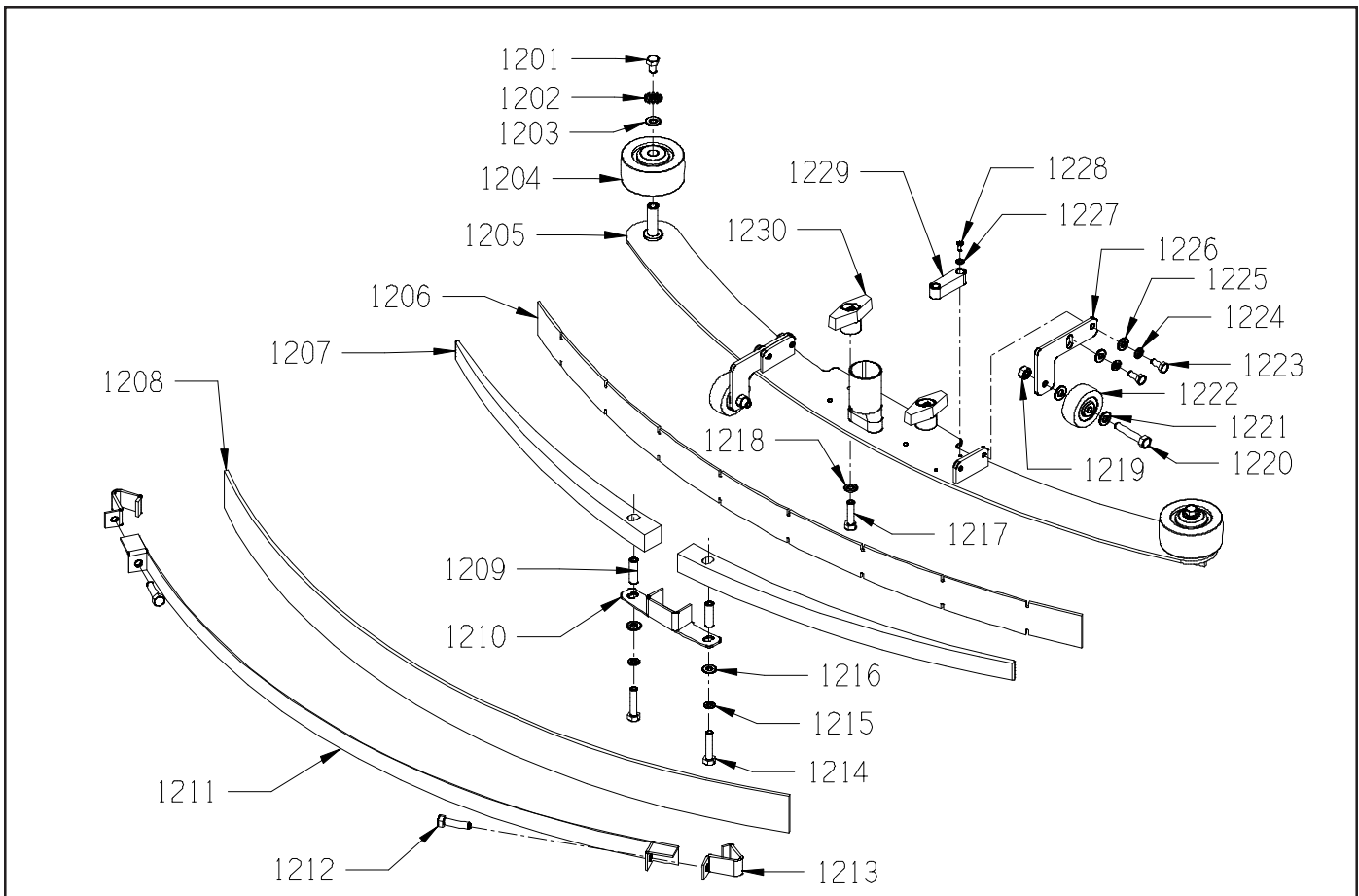


<u>ITEM</u>	<u>PART NO.</u>	<u>DESCRIPTION</u>	<u>QTY.</u>
1101	9120930	9/32 I.D. X 5/8 O.D. X .051/.080 THICK SAE FLAT WASHER (1/4) - PACK OF 10	1
1102	9120900	1/4-20 HEX NUT WITH NY-LOK INSERT - PACK OF 10	1
1103	2791281	BUSHING SPACER	1
1104	9120930	9/32 I.D. X 5/8 O.D. X .051/.080 THICK SAE FLAT WASHER (1/4) - PACK OF 10	1
1105	9120880	1/4 SPLIT LOCK WASHER - PACK OF 10	1
1106	9121210	1/4-20 X 5/8 HEX BOLT - PACK OF 10	1
1107	9121060	1/4-20 X 1 1/4 HEX BOLT - PACK OF 5	1
1108	9120880	1/4 SPLIT LOCK WASHER - PACK OF 10	1
1109	9120930	9/32 I.D. X 5/8 O.D. X .051/.080 THICK SAE FLAT WASHER (1/4) - PACK OF 10	1
1110	7690891	ACCELERATOR PEDAL ARM	1
1111	2691771	PIN, SKIRT LATCH	1
1112	9120930	9/32 I.D. X 5/8 O.D. X .051/.080 THICK SAE FLAT WASHER (1/4) - PACK OF 10	1
1113	9120900	1/4-20 HEX NUT WITH NY-LOK INSERT - PACK OF 10	1
1114	9120210	8-32 X 1/4 TRUSS HEAD PHILLIPS MACHINE SCREW - PACK OF 10	2
1115	7690811	GUIDE	1
1116	9120900	1/4-20 HEX NUT WITH NY-LOK INSERT - PACK OF 10	1
1117	9120930	9/32 I.D. X 5/8 O.D. X .051/.080 THICK SAE FLAT WASHER (1/4) - PACK OF 10	1
1118	7690801	1/4 I.D. X 3/8 O.D. X 3/8 LONG FLANGE BEARING - THROTTLE PEDAL	1
1119	7690821	TORSION SPRING - ACCELERATOR PEDAL	1
1120	7691961	PIVOT BRACKET - ACCELERATOR	1
1121	7690801	1/4 I.D. X 3/8 O.D. X 3/8 LONG FLANGE BEARING - THROTTLE PEDAL	1
1122	9120930	9/32 I.D. X 5/8 O.D. X .051/.080 THICK SAE FLAT WASHER (1/4) - PACK OF 10	1
1123	9121350	1/4-20 X 3 HEX HEAD BOLT - PACK OF 3	1
1124	9122450	FLAT WASHER	1
1125	7691731	GROUND WIRE	1
1126	9120500	10-24 X 3/8 TRUSS HEAD PHILLIPS MACHINE SCREW - PACK OF 10	1
1127	9120930	9/32 I.D. X 5/8 O.D. X .051/.080 THICK SAE FLAT WASHER (1/4) - PACK OF 10	4
1128	9120970	1/4 EXTERNAL STAR LOCK WASHER - PACK OF 10	4
1129	9121000	1/4-20 X 5/8 TRUSS HEAD PHILLIPS MACHINE SCREW - PACK OF 5	1
1130	9120350	10-24 HEX NUT WITH NY-LOK INSERT - PACK OF 10	1
1131	7690851	COVER - POTENTIOMETER	1
1132	2694131	POTENTIOMETER - CURTIS SPEED CONTROL	1
1133	9120225	8-32 X 1/4 SET SCREW - KNURL POINT - ALLOY - PACK OF 10	1
1134	7690881	POTENTIOMETER ARM	1
1135	7691951	ACCELERATOR SPRING SPACER	1
1136	9121350	1/4-20 X 3 HEX HEAD BOLT - PACK OF 3	1
1137	9120930	9/32 I.D. X 5/8 O.D. X .051/.080 THICK SAE FLAT WASHER (1/4) - PACK OF 10	1
1138	7690833	PEDAL - ACCELERATOR	1

ACCELERATOR PEDAL ASSEMBLY

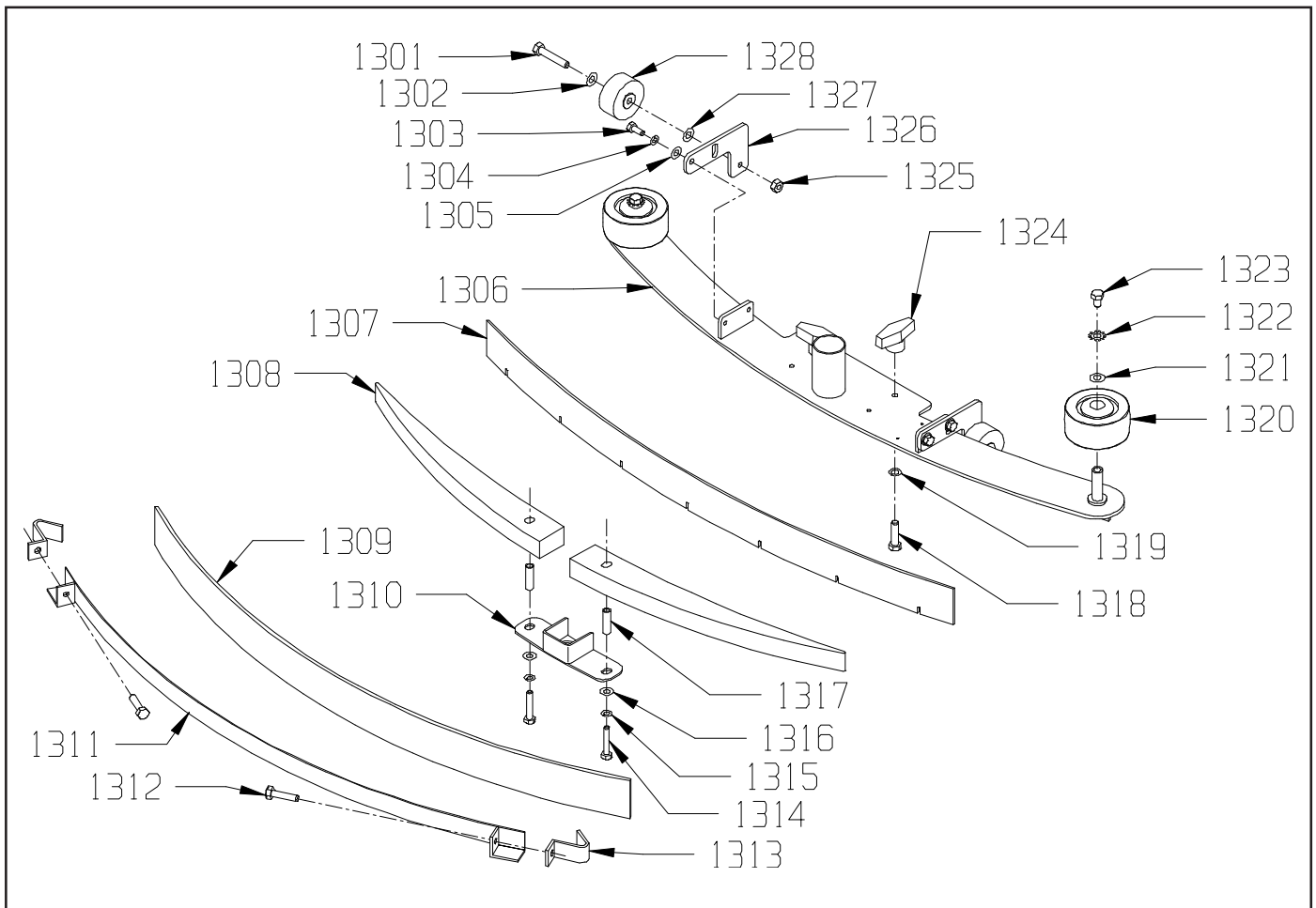


CURVED SQUEEGEE ASSEMBLY 7693169



<u>ITEM</u>	<u>PART NO.</u>	<u>DESCRIPTION</u>	<u>QTY.</u>
	7693169	CHAMP 29 CURVED SQUEEGEE ASSEMBLY 37" LONG - INCLUDES:	1
1201	9121560	5/16-18 X 1/2 HEX BOLT - PACK OF 5	2
1202	9121410	5/16 EXTERNAL STAR LOCK WASHER - PACK OF 10	2
1203	9121390	11/32 I.D. X 11/16 O.D. X .051/.080 THICK SAE FLAT WASHER (5/16)-PK-10	2
1204	2790281	3" BUMPER WHEEL	2
1205	7693151	MAIN SQUEEGEE HOUSING	1
1206	2492521	FRONT SQUEEGEE BLADE	1
1207	2492511	CENTER WEDGE	2
1208	2695551	REAR SQUEEGEE BLADE - URETHANE	1
1209	2492591	CENTER HOLD DOWN SPACER	2
1210	2492541	WEDGY CONTAINMENT BRACKET	1
1211	2492551	BLADE SECURING STRAP	1
1212	9121720	5/16-18 X 1 1/4 HEX HEAD FULL THREADED BOLT - PACK OF 2	2
1213	2492561	HOOKED END	2
1214	9121280	1/4-20 X 1 1/2 HEX BOLT - PACK OF 5	2
1215	9120880	1/4 SPLIT LOCK WASHER - PACK OF 10	2
1216	9120930	9/32 I.D. X 5/8 O.D. X .051/.080 THICK SAE FLAT WASHER (1/4)-PK-10	2
1217	9121720	5/16-18 X 1 1/4 HEX HEAD FULL THREADED BOLT - PACK OF 2	2
1218	9121520	5/16 SPLIT LOCK WASHER - PACK OF 10	2
1219	9121450	5/16-18 HEX NUT WITH NY-LOK INSERT - PACK OF 5	2
1220	9121760	5/16-18 X 1 3/4 HEX BOLT - PACK OF 2	2
1221	9121390	11/32 I.D. X 11/16 O.D. X .051/.080 THICK SAE FLAT WASHER (5/16)-PK-10	4
1222	3096741	ROLLER WHEEL	2
1223	9121210	1/4-20 X 5/8 HEX BOLT - PACK OF 10	4
1224	9120880	1/4 SPLIT LOCK WASHER - PACK OF 10	4
1225	9120930	9/32 I.D. X 5/8 O.D. X .051/.080 THICK SAE FLAT WASHER (1/4)-PK-10	4
1226	2492571	DOLLY WHEEL MOUNTING BRACKET	2
1227	9120030	#6 SPLIT LOCK WASHER - PACK OF 10	2
1228	9120070	6-32 X 3/8 ROUND HEAD PHILLIPS MACHINE SCREW - PACK OF 10	2
1229	2492581	SQUEEGEE LEVEL	1
1230	3392971	T-KNOB - SQUEEGEE	2

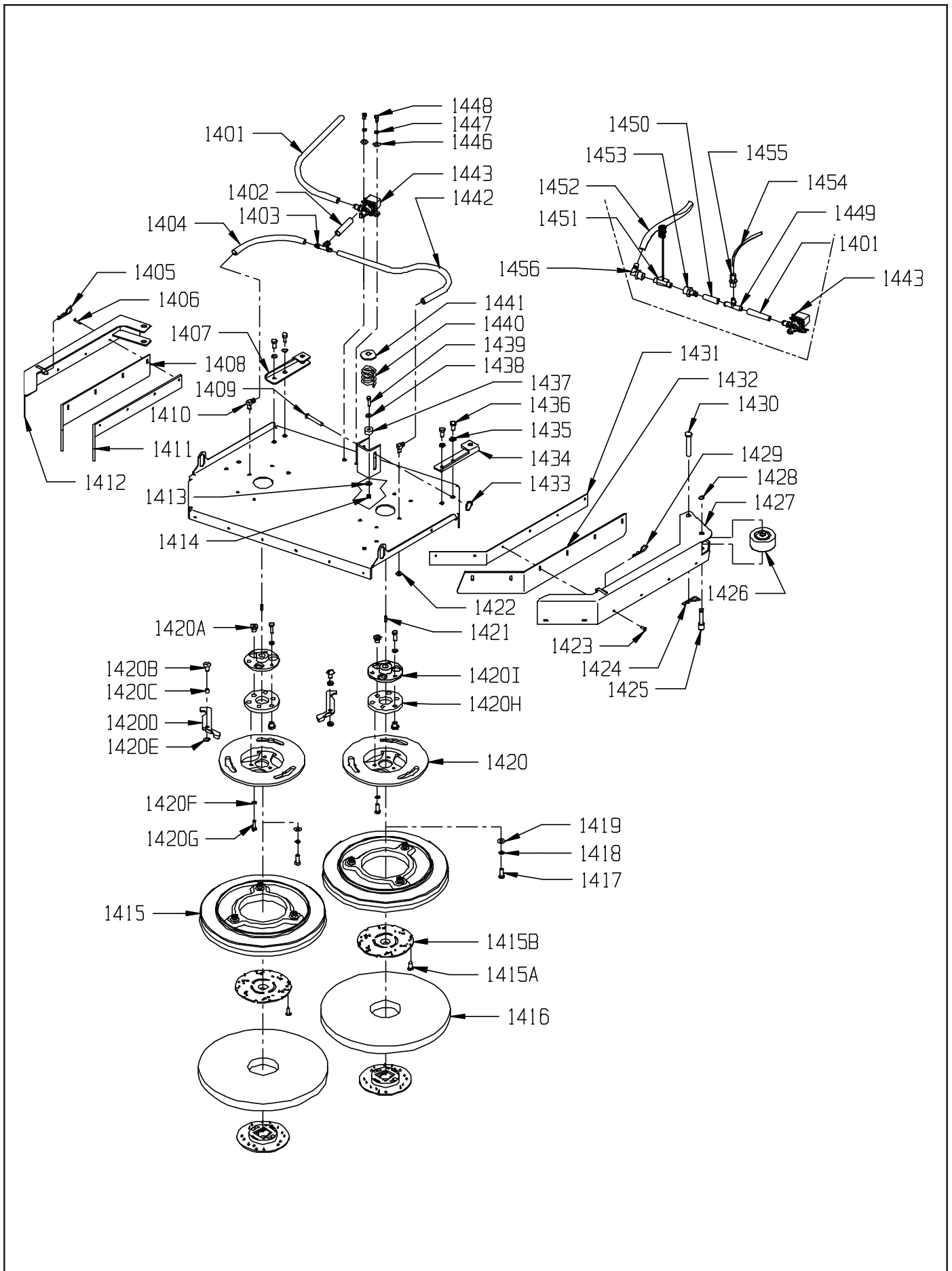
OPTIONAL CURVED SQUEEGEE ASSEMBLY 7694409



ITEM	PART NO.	DESCRIPTION	QTY.
	7694409	CURVED SQUEEGEE ASSEMBLY - INCLUDES:	1
1301	9121760	5/16-18 X 1 3/4 HEX BOLT - PACK OF 2	2
1302	9121390	11/32 I.D. X 11/16 O.D. X .051/.080 THICK SAE FLAT WASHER (5/16)-PK-10	2
1303	9121210	1/4-20 X 5/8 HEX BOLT - PACK OF 10	4
1304	9120880	1/4 SPLIT LOCK WASHER - PACK OF 10	4
1305	9120930	9/32 I.D. X 5/8 O.D. X .051/.080 THICK SAE FLAT WASHER (1/4)-PK-10	4
1306	7694413	SQUEEGEE HOUSING	1
1307	7694421	FRONT SQUEEGEE BLADE	1
1308	7694441	WEDGY	2
1309	7694461	REAR SQUEEGEE BLADE - LINATEX	1
1310	7694471	WEDGY CONTAINMENT BRACKET	1
1311	7694451	BLADE SECURING STRAP	1
1312	9121720	5/16-18 X 1 1/4 HEX HEAD FULL THREADED BOLT - PACK OF 2	2
1313	2492561	HOOKED END	2
1314	9121280	1/4-20 X 1 1/2 HEX BOLT - PACK OF 5	2
1315	9120880	1/4 SPLIT LOCK WASHER - PACK OF 10	2
1316	9120930	9/32 I.D. X 5/8 O.D. X .051/.080 THICK SAE FLAT WASHER (1/4)-PK-10	2
1317	2492591	CENTER HOLD DOWN SPACER	2
1318	9121720	5/16-18 X 1 1/4 HEX HEAD FULL THREADED BOLT - PACK OF 2	2
1319	9121520	5/16 SPLIT LOCK WASHER - PACK OF 10	2
1320	2790281	BUMPER WHEEL	2
1321	9121390	11/32 I.D. X 11/16 O.D. X .051/.080 THICK SAE FLAT WASHER (5/16)-PK-10	2
1322	9121410	5/16 EXTERNAL STAR LOCK WASHER - PACK OF 10	2
1323	9121560	5/16-18 X 1/2 HEX BOLT - PACK OF 5	2
1324	3392971	T-KNOB - SQUEEGEE	2
1325	9121450	5/16-18 HEX NUT WITH NY-LOK INSERT - PACK OF 5	2
1326	2492571	DOLLY WHEEL MOUNTING BRACKET	2
1327	9121390	11/32 I.D. X 11/16 O.D. X .051/.080 THICK SAE FLAT WASHER (5/16)-PK-10	2
1328	3096741	ROLLER WHEEL	2

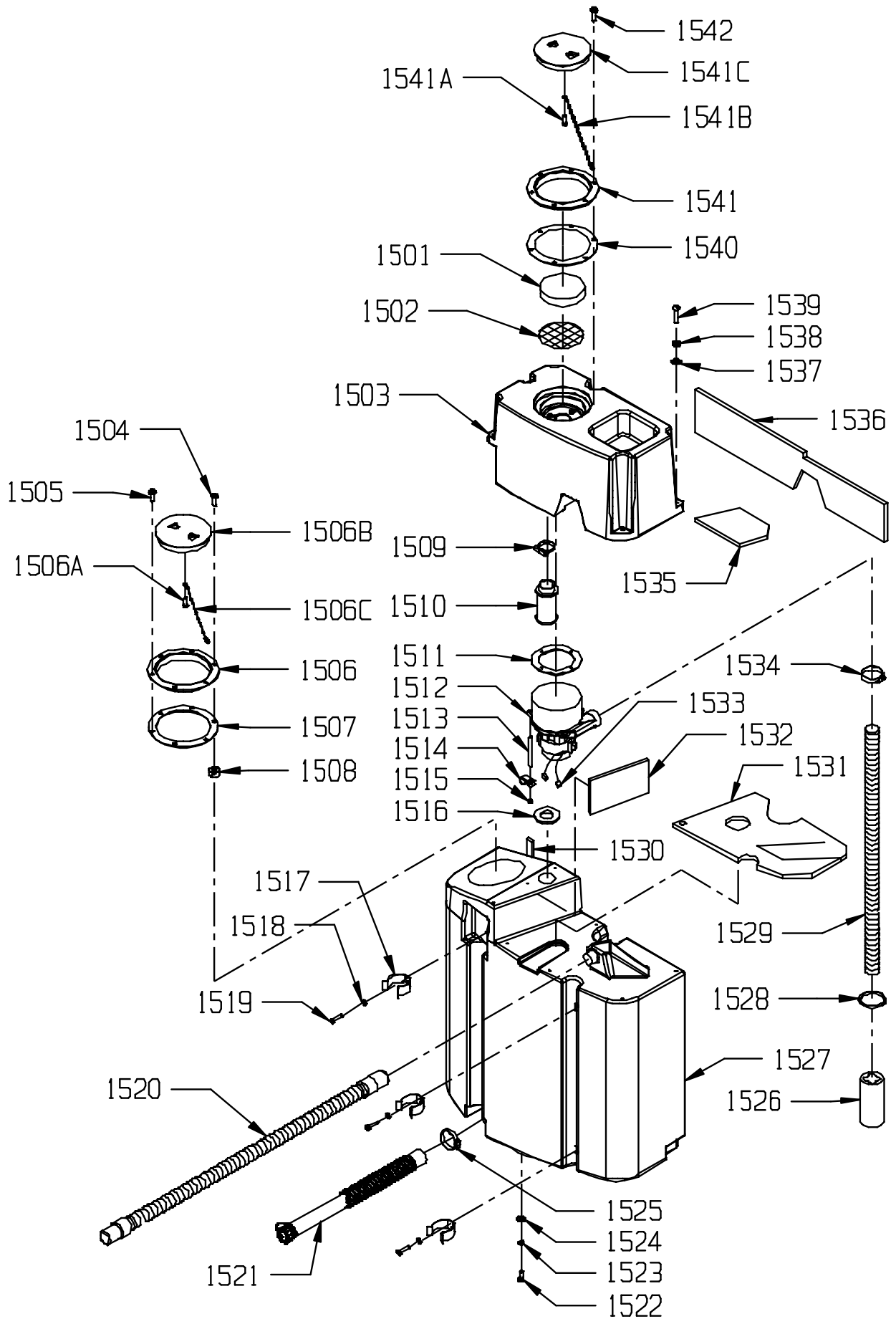
<u>ITEM</u>	<u>PART NO.</u>	<u>DESCRIPTION</u>	<u>QTY.</u>
1401	8791180	HOSE - VINYL 1/2" I.D. X 3/4" O.D. (CUT TO 18")	1.5
	8791180	HOSE - VINYL 1/2" I.D. X 3/4" O.D. (CUT TO 2") (SIDEKICK ONLY)	.2
1402	8791180	HOSE - VINYL 1/2" I.D. X 3/4" O.D. (CUT TO 2")	.2
1403	7691371	TEE - 3/8 X 3/8 X 1/2	1
1404	8791070	HOSE - VINYL 3/8" I.D. X 1/2" O.D. (CUT TO 12")	1
1405	7690491	#6 HAIR COTTER PIN	1
1406	9120510	10-24 X 1/2 TRUSS HEAD PHILLIPS MACHINE SCREW - PACK OF 10	6
1407	7690481	SKIRT MOUNT BRACKET - LEFT HAND	1
1408	7690271	SIDE SKIRT BLADE - LEFT HAND	1
1409	7690311	3/8" DIAMETER X 2.505" LONG CLEVIS PIN	1
1410	5092630	90 DEGREE SOLUTION FEED TUBE	2
1411	7690281	SIDE SKIRT STRAP - LEFT HAND	1
1412	7690263	LEFT SIDE SKIRT	1
1413	9120930	9/32 I.D. X 5/8 O.D. X .051/.080 THICK SAE FLAT WASHER (1/4)-PK-10	1
1414	9120900	1/4-20 HEX NUT WITH NY-LOK INSERT - PACK OF 10	1
1415	7691491	PAD DRIVER 15" - INCLUDES:	2
1415B	5990731	SPRING CLIP PAD HOLDER SET	1
1415A	9120140	#6 X 5/8 PAN HEAD PHILLIPS SHEET METAL SCREW	3
1415	7691511	NYLON BRUSH 14" POLY BLOCK (OPTIONAL)	2
	7691521	STRATAGRIT BRUSH 14" POLY BLOCK (OPTIONAL)	2
1416	-----	PAD - SEE ACCESSORIES PAGE FOR TYPES	2
1417	9121680	5/16-18 X 1 HEX BOLT - PACK OF 5	2
1418	9121520	5/16 SPLIT LOCK WASHER - PACK OF 10	2
1419	9121985	13/32 I.D. X 1 O.D. X .12 THICK FLAT WASHER (11 GAGE) - PACK OF 1	2
1420	7691449	LEFT DRIVE CASTING ASSEMBLY	1
	7691459	RIGHT DRIVE CASTING ASSEMBLY	1
	2698072	DRIVE CASTING	2
1420A	2698081	DRIVE LUG	12
1420B	9121090	1/4-20 X 1/2 TRUSS HEAD PHILLIPS MACHINE SCREW - PACK OF 5	2
1420C	2791281	BUSHING SPACER	2
1420D	2790211	DRIVE PLATE LATCH	2
1420E	9122120	3/8 I.D. X 5/8 O.D. X .031 THICK WAVE SPRING WASHER - PACK OF 5	2
1420F	9121520	5/16 SPLIT LOCK WASHER - PACK OF 10	12
1420G	9121680	5/16-18 X 1 HEX BOLT - PACK OF 5	12
1420H	2698061	RUBBER MOUNT	2
1420I	7691382	DRIVE HUB	2
1421	9120827	3/6" SQUARE X 1" LONG KEY - PACK OF 2	2
1422	5092641	RETAINING RING	2
1423	9120510	10-24 X 1/2 TRUSS HEAD PHILLIPS MACHINE SCREW - PACK OF 10	6
1424	7690491	#6 HAIR COTTER PIN	2
1425	7690941	BUMPER WHEELAXLE	1
1426	2790281	BUMPER WHEEL	1
1427	7690233	RIGHT SIDE SKIRT	1
1428	9122496	RETAINING RING - PACK OF 8	1
1429	7690491	#6 HAIR COTTER PIN	1
1430	9122685	1/2 X 2 7/8 CLEVIS PIN	2
1431	7690241	SIDE SKIRT BLADE - RIGHT HAND	1
1432	7690251	SIDE SKIRT STRAP - RIGHT HAND	1
1433	7690491	#6 HAIR COTTER PIN	1
1434	7690471	SKIRT MOUNT BRACKET - RIGHT HAND	1
1435	9122100	3/8 SPLIT LOCK WASHER - PACK OF 10	4
1436	9122220	3/8-16 X 3/4 HEX BOLT - PACK OF 5	4
1437	7691361	ACTUATOR SPRING GUIDE	1
1438	9120930	9/32 I.D. X 5/8 O.D. X .051/.080 THICK SAE FLAT WASHER (1/4)-PK-10	1
1439	9121270	1/4-20 X 1 HEX BOLT - PACK OF 10	1
1440	7691171	COMPRESSION SPRING	1
1441	3190191	STRING GUARD	1
1442	8791070	HOSE - VINYL 3/8" I.D. X 1/2" O.D. (CUT TO 18")	1.5
1443	7692621	SOLUTION SOLENOID VALVE	1
1446	9120930	9/32 I.D. X 5/8 O.D. X .051/.080 THICK SAE FLAT WASHER (1/4) - PACK OF 10	2
1447	9120880	1/4 SPLIT LOCK WASHER - PACK OF 10	2
1448	9121170	1/4-20 X 1/2 HEX BOLT - PACK OF 10	2
1449	9590161	TEE FITTING (SIDEKICK ONLY)	1
1450	8791180	HOSE - VINYL 1/2" I.D. X 3/4" O.D. (CUT TO 2") (SIDEKICK ONLY)	.2
1451	3394251	LOW SENSOR WITH CONNECTOR (SIDEKICK ONLY) - INCLUDES:	1
	3394291	CONNECTOR, FEMALE (SIDEKICK ONLY)	1
	3394311	TERMINAL, FEMALE (SIDEKICK ONLY)	3
1452	8791180	HOSE - VINYL 1/2" I.D. X 3/4" O.D.(CUT TO 8 3/8") (SIDEKICK ONLY)	.7
1453	3394281	FITTING, 3/8" FPT X 1/2" O.D. HOSE (SIDEKICK ONLY)	1
1454	9590321	TUBING, 1/4" O.D. NYLON (65" LONG) (SIDEKICK ONLY)	1
1455	9590221	FITTING, JACO, 1/4" NPT X 1/4" O.D. TUBE (SIDEKICK ONLY)	1
1456	7692841	FITTING, 90° ELBOW, 3/8" FPT X 1/2" O.D. HOSE (SIDEKICK ONLY)	1

LOWER BRUSH DRIVE ASSEMBLY



<u>ITEM</u>	<u>PART NO.</u>	<u>DESCRIPTION</u>	<u>QTY.</u>
1501	7690791	VAC MOTOR FILTER	1
1502	7690781	VAC MOTOR SCREEN	1
1503	7693861	VAC MOTOR COVER	1
1504	9120450	10-24 X 1 ROUND HEAD PHILLIPS MACHINE SCREW - PACK OF 10	1
1505	9120790	10 X 5/8 PAN HEAD PHILLIPS SHEET METAL SCREW - PACK OF 10	5
1506	2690881	RECOVERY TANK LID ASSEMBLY	1
	2690921	BLACK RING, RECOVERY TANK	1
1506A	9120205	#8 X 1/2 PAN HEAD PHILLIPS SHEET METAL SCREW - PK OF 3	1
1506B	2690911	LID - CLEAR, RECOVERY TANK	1
1506C	2690931	LID CHAIN, RECOVERY TANK	1
1507	2690891	RECOVERY TANK LID GASKET	1
1508	9120350	10-24 HEX NUT WITH NY-LOK INSERT	1
1509	4894081	NYLON HOSE CLAMP - 1 19/32" TO 1 13/16" DIAMETER	1
1510	2391541	FLOAT SCREEN ASSEMBLY	1
1511	2490561	GASKET - VAC MOTOR	1
1512	2690551	VAC MOTOR, 36 VOLT	1
	2792571	REPLACEMENT CARBON BRUSH	2
1513	9121363	1/4-20 X 4 1/2" FULLY THREADED STUD - PACK OF 2	3
1514	4890851	CABLE CLAMP	1
	9120930	9/32 I.D. X 5/8 O.D. X .051/0080 THICK SAE FLAT WASHER (1/4)-PK-10	2
1515	9121360	1/4-20 HEX NUT WITH NY-LOK INSERT - PACK OF 2	3
1516	7691351	GASKET - 1 1/2" I.D. X 3" O.D.	1
1517	7691921	SPRING CLIP - HOSE	3
1518	9120030	#6 SPLIT LOCK WASHER - PACK OF 10	6
1519	9120070	6-32 X 3/8 ROUND HEAD PHILLIPS MACHINE SCREW - PACK OF 10	6
1520	7690951	VACUUM HOSE WITH CUFFS	1
1521	7695341	DRAIN HOSE, RECOVERY TANK	1
1522	9122220	3/8-16 X 3/4 HEX HEAD BOLT - PACK OF 10	2
1523	9122100	3/8 SPLIT LOCK WASHER - PACK OF 10	2
1524	9121400	3/8 I.D. X 7/8 O.D. X .064/.104 THICK WROUGHT WASHER (5/16)-PK-10	2
1525	4495441	HOSE CLAMP - 1 9/16" TO 2 1/2" DIAMETER	1
1526	7691261	EXHAUST MUFFLER TUBE	1
1527	7690021	RECOVERY TANK	1
1528	9123000	1/8 X 11" WIRE TIE - PACK OF 5	1
1529	7693901	FLEXIBLE VACUUM MOTOR DISCHARGE HOSE	1
1530	8891180	GASKET - 1" X 1/4" NEOPRENE	2
1531	7693841	VAC COVER INSULATION - BOTTOM	1
1532	7693871	VAC COVER INSULATION - SIDE - SMALL	1
1533	2690581	1/4 SPADE MALE TERMINAL 10 X 12 YELLOW	2
1534	4495441	HOSE CLAMP - 1 9/16" TO 2 1/2" DIAMETER	1
1535	7693891	VAC COVER INSULATION - TOP	1
1536	7693881	VAC COVER INSULATION - SIDE - LARGE	1
1537	9120933	.250 I.D. X .875 O.D. X .075 THICK FLAT WASHER - PACK OF 6	6
1538	9120330	#10 EXTERNAL STAR LOCK WASHER - PACK OF 10	6
1539	9120535	10-24 X 1 1/2 TRUSS HEAD PHILLIPS MACHINE SCREW - PACK OF 5	6
1540	2690891	RECOVERY TANK LID GASKET	1
1541	2690881	RECOVERY TANK LID ASSEMBLY	1
	2690921	BLACK RING, RECOVERY TANK	1
1541A	9120205	#8 X 1/2 PAN HEAD PHILLIPS SHEET METAL SCREW - PACK OF 3	1
1541B	2690931	LID CHAIN, RECOVERY TANK	1
1541C	2690911	LID - CLEAR, RECOVERY TANK	1
1542	9120790	10 X 5/8 PAN HEAD PHILLIPS SHEET METAL SCREW - PACK OF 10	7

RECOVERY TANK



NOTES

NOTES

ACCESSORIES



7991501, 7991521
7991541, 7991551



7691839

7691829



7692181



7692141



2691501, 3390361,
7691401, 3390981,
3390991

PART NO.

7991501
7991521
7991541
7991551
7990021
7691839
7691829
2691501
3390361
7691401
3390981
3390991
7692181
7694071
7694309
2392129

DESCRIPTION

15" BLACK STRIP PAD - CASE 5
15" GREEN SCRUB PAD - CASE 5
15" UHS CLEANBUFF PAD - CASE 5
15" LITE BLUE FINISH PAD - CASE 5
15" GREEN ECOSTRIP PAD - CASE 10
HEADLIGHT KIT
OVERHEAD LIGHT KIT
BATTERY - 325 AMP HOUR - 6 VOLT DC - WET
BATTERY - 225 AMP HOUR - 6 VOLT DC - WET
BATTERY - 395 AMP HOUR - 6 VOLT DC - WET
BATTERY - 225 AMP HOUR - 6 VOLT DC - AGM
BATTERY - 305 AMP HOUR - 6 VOLT DC - AGM
LOW WATER BATTERY ALARM
OFF BOARD CHARGER ADAPTOR
VAC MOTOR, 36VOLT
WET PICKUP KIT, INCLUDES:
2291211 5" CONNECTOR, ALUMINUM
2391231 VACUUM HOSE, 7 FOOT
5797011 15" TOOL - SQUEEGEE WITH WHEELS
5790469 STEEL WAND, 2 PIECE
2392179 BRUSH / SQUEEGEE KIT, INCLUDES:
2291211 5" CONNECTOR, ALUMINUM
2290209 STEEL WAND, 1 PIECE
2391231 VACUUM HOSE, 7 FOOT
3097849 14" BRUSH / SQUEEGEE TOOL

TWISTER PADS

7990821 15" TWISTER STARTER KIT
7991051 15" TWISTER RED PAD
7991591 15" TWISTER WHITE PAD
7991571 15" TWISTER YELLOW PAD
7991561 15" TWISTER GREEN PAD



2392129



7694309

2392179



NSS® Enterprises, Inc.

3115 Frenchmens Road, Toledo, Ohio 43607
PHONE (419) 531-2121 FAX (419) 531-3761
NSS® Enterprises, Inc. European Distribution Centre
Unit II, Pinfold Trading Estate * 55 Nottingham Road
STAPLEFORD, NOTTINGHAM NG9 8AD ENGLAND U.K.
PHONE: (44) 0115 939 1568 * FAX: (44) 0115 949 0615