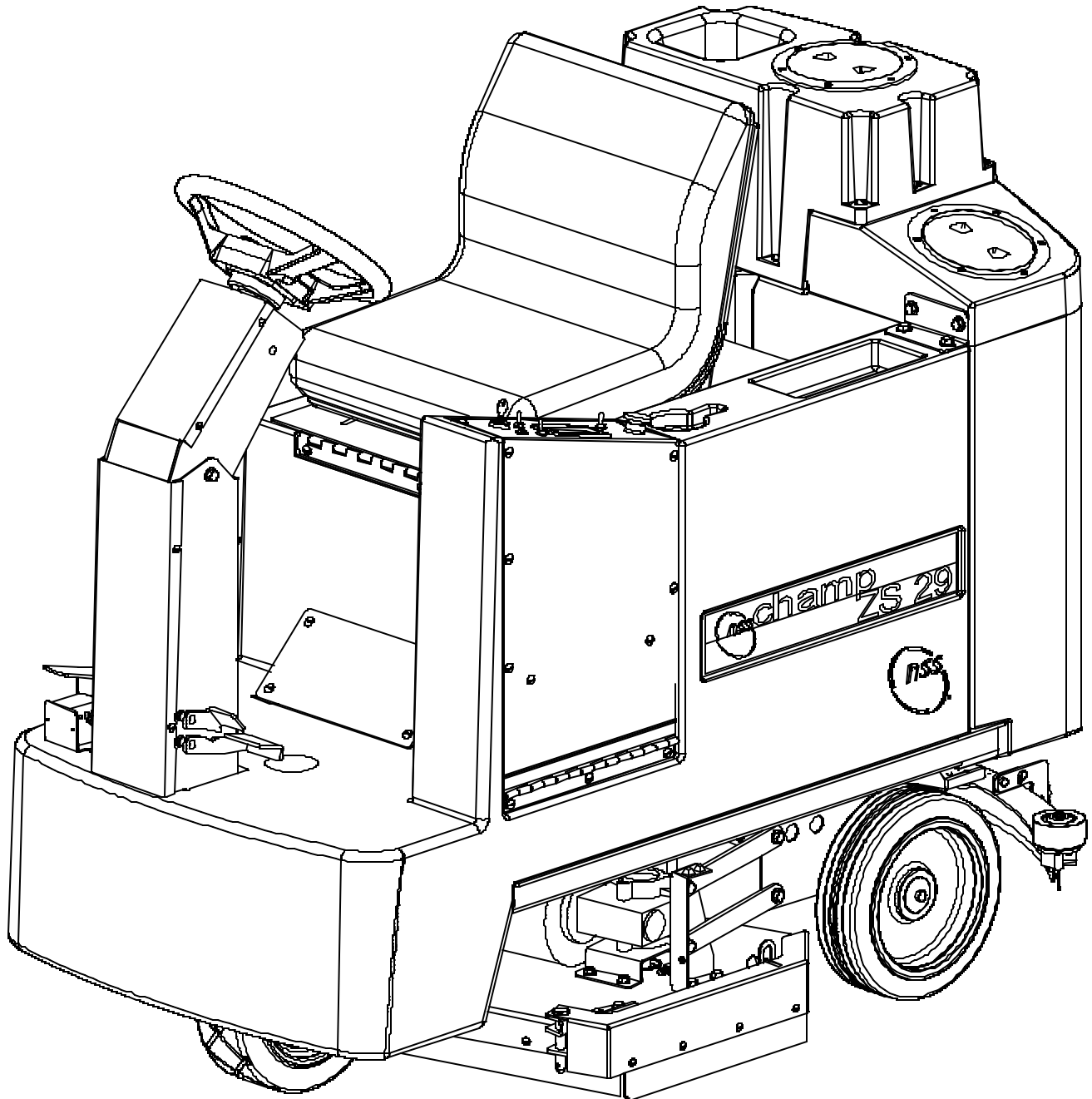
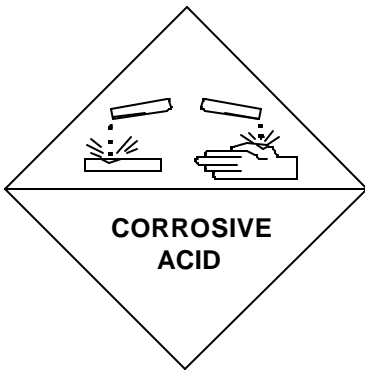


PARTS LIST  
**CHAMP ZS 29**

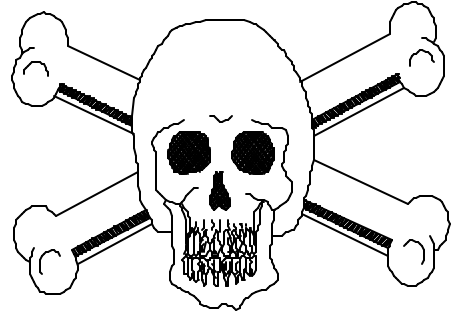


# BATTERY INSTALLATION INSTRUCTIONS



## WET STORAGE BATTERY

- \* CONTAINS ACID, AVOID CONTACT.
- \* ANTIDOTE:
  - \* EYES - FLUSH WITH WATER  
15 MINUTES.
  - \* INTERNAL - DRINK WATER OR MILK.  
FOLLOW WITH MILK OF  
MAGNESIA, BEATEN EGG  
OR VEGETABLE OIL.
- \*CALL PHYSICIAN.



**POISON / DANGER**  
CAUSES SEVERE BURNS

## WARNING

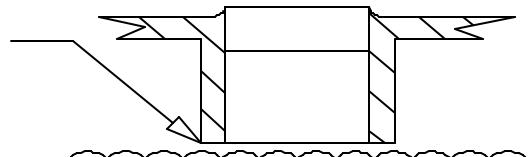
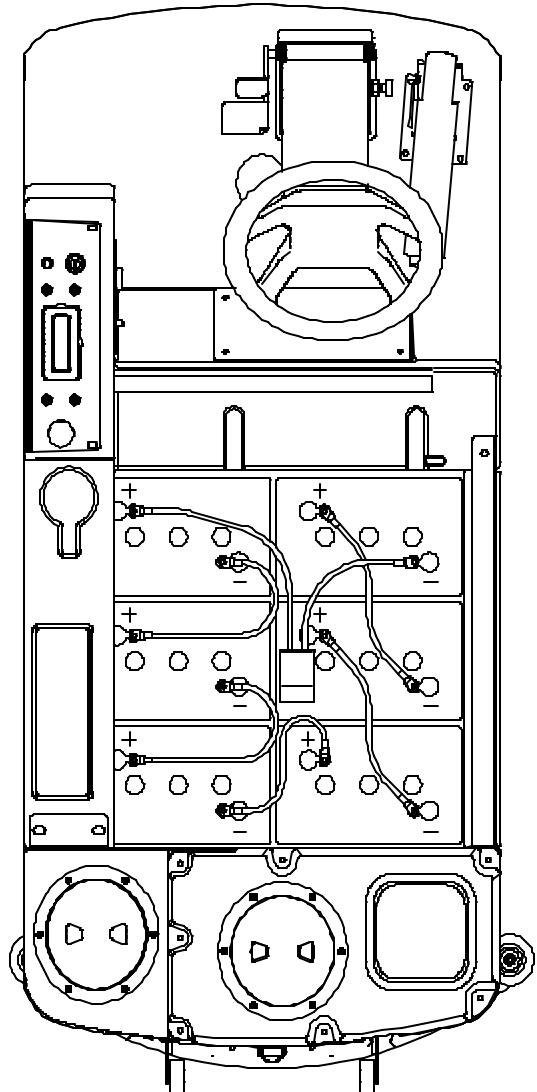
READ THE SERVICE MANUAL BEFORE INSTALLING BATTERIES OR USING CHARGER. FAILURE TO OBSERVE THE FOLLOWING INSTRUCTIONS MAY RESULT IN DAMAGE TO THE MACHINE, OR INJURY TO THE OPERATOR OR BY STANDERS.

## BATTERY INSTALLATION INSTRUCTIONS

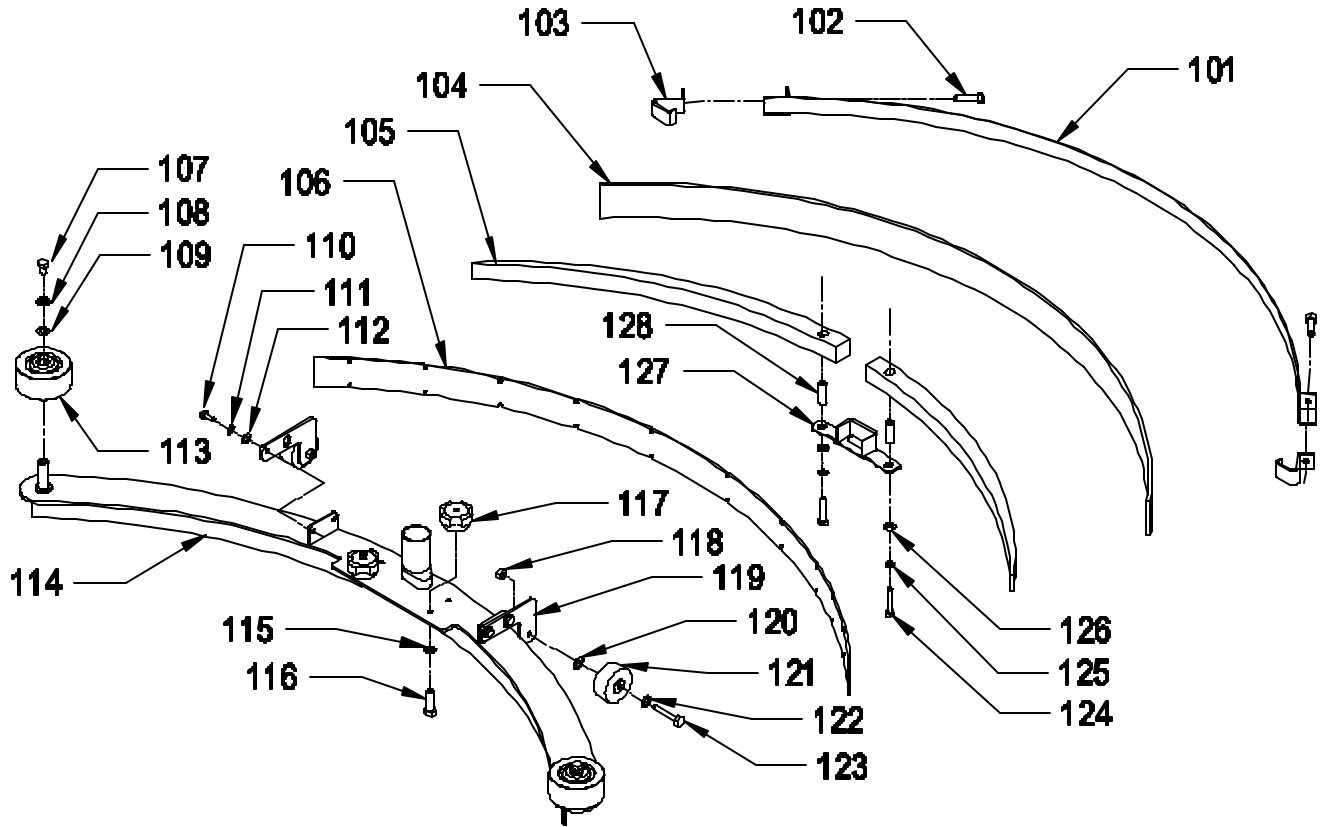
- ONLY TRAINED PERSONNEL SHOULD INSTALL BATTERIES.
- BATTERIES ARE HEAVY, USE TWO (2) PEOPLE TO INSTALL.
- WEAR EYE PROTECTION AND PROTECTIVE CLOTHING.
- TURN OFF ALL MACHINE SWITCHES.
- CONNECT THE BATTERIES AS SHOWN TO THE RIGHT (THERE IS ALSO A DECAL IN THE BATTERY COMPARTMENT WITH THIS PICTURE). THIS MACHINE WILL NOT TURN ON IF THE BATTERIES ARE CONNECTED IMPROPERLY.
- DO NOT LAY ANYTHING ON TOP OF THE BATTERIES.
- DISCONNECT THE BATTERIES BEFORE PERFORMING ANY SERVICE OR REPAIRS.

## CHARGING INSTRUCTIONS

- READ INSTRUCTIONS ON THE CHARGER.
- ONLY USE A 36 VOLT CHARGER FOR THE CHAMP ZS 29.
- BEFORE CHARGING CHECK TO INSURE THAT THE BATTERY WATER LEVEL COVERS THE BATTERY PLATES.
- CHARGE IN WELL VENTILATED AREA.
- EXPLOSIVE GAS - DO NOT SMOKE - STRIKE A MATCH OR CAUSE A SPARK DURING CHARGING.
- AFTER CHARGING - IF NEEDED - FILL THE BATTERY UP TO THE BOTTOM OF THE FILL HOLE WITH DISTILLED WATER.  
DO NOT OVER FILL. BATTERY AND MACHINE DAMAGE MAY RESULT. WIPE ANY ACID FROM THE TOP OF BATTERIES CLEAN USING A SOAP SOLUTION.



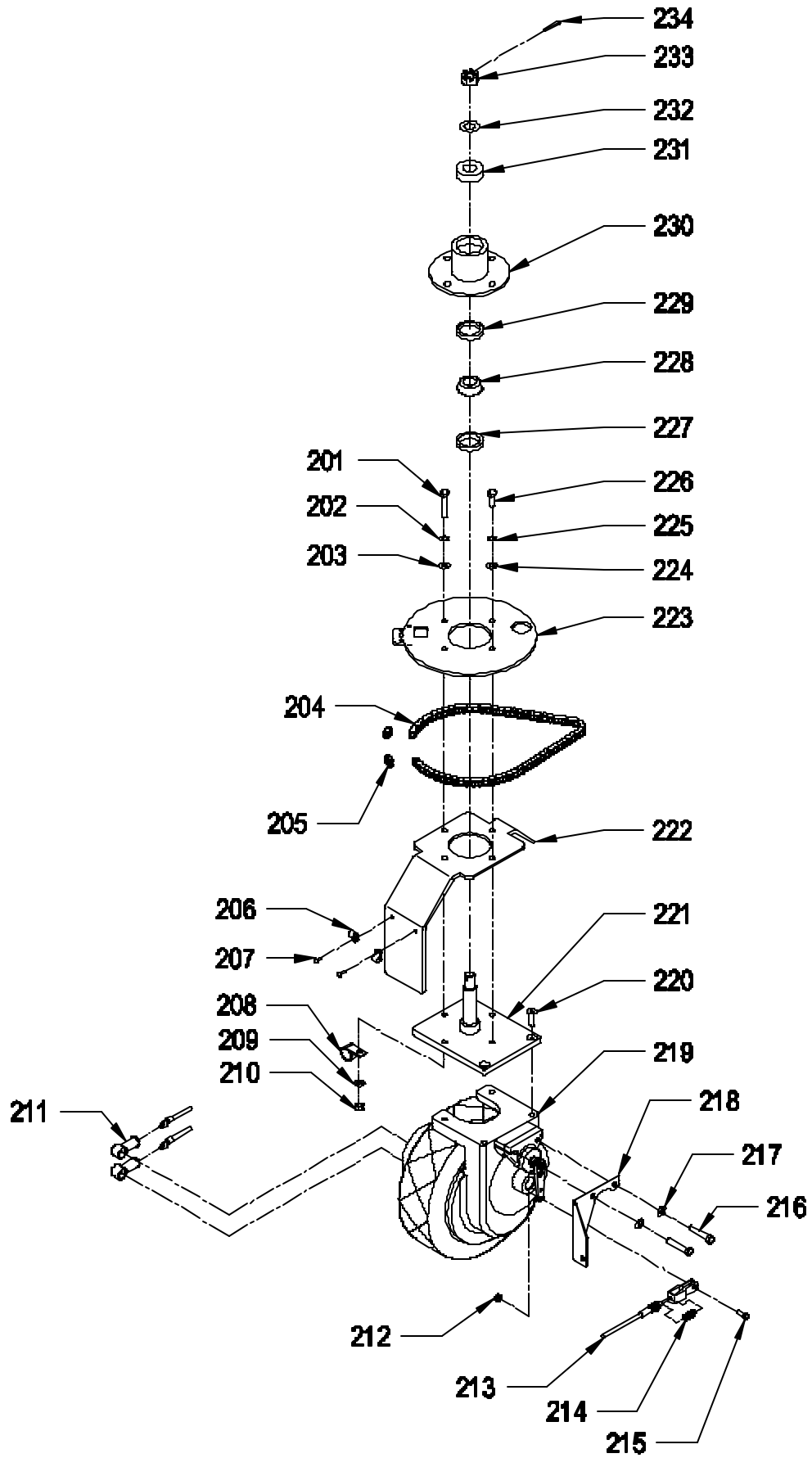
## CURVED SQUEEGEE ASSEMBLY



| ITEM | PART NO. | DESCRIPTION  | QTY. |
|------|----------|--|------|
|      | 7690339  | CURVED SQUEEGEE ASSEMBLY   | 1    |
| 101  | 7690381  | REAR SECURING STRAP  | 1    |
| 102  | 9121720  | 5/16-18 X 1 1/4 HEX HEAD FULL THREADED BOLT                      | 2    |
| 103  | 2492561  | HOOKED END   | 2    |
| 104  | 7690371  | REAR BLADE   | 1    |
| 105  | 7690361  | CENTER WEDGE   | 2    |
| 106  | 7690351  | FRONT BLADE  | 1    |
| 107  | 9121560  | 5/16-18 X 1/2 HEX BOLT   | 2    |
| 108  | 9121410  | 5/16 EXTERNAL STAR LOCK WASHER                                   | 2    |
| 109  | 9121390  | 11/32 I.D. X 11/16 O.D. X .051/.080 THICK SAE FLAT WASHER (5/16) | 2    |
| 110  | 9121210  | 1/4-20 X 5/8 HEX BOLT  | 4    |
| 111  | 9120880  | 1/4 SPLIT LOCK WASHER  | 4    |
| 112  | 9120930  | 9/32 I.D. X 5/8 O.D. X .051/.080 THICK SAE FLAT WASHER (1/4)     | 4    |
| 113  | 2790281  | BUMPER WHEEL   | 2    |
| 114  | 7690343  | MAIN HOUSING   | 1    |
| 115  | 9121520  | 5/16 SPLIT LOCK WASHER   | 2    |
| 116  | 9121720  | 5/16-18 X 1 1/4 HEX HEAD FULL THREADED BOLT                      | 2    |
| 117  | 2791002  | SQUEEGEE KNOB  | 2    |
| 118  | 9121450  | 5/16-18 HEX NUT WITH NY-LOCK INSERT                              | 2    |
| 119  | 2492571  | DOLLY WHEEL MOUNTING BRACKET                                     | 2    |
| 120  | 9121390  | 11/32 I.D. X 11/16 O.D. X .051/.080 THICK SAE FLAT WASHER (5/16) | 2    |
| 121  | 3096741  | ROLLER WHEEL   | 2    |
| 122  | 9121390  | 11/32 I.D. X 11/16 O.D. X .051/.080 THICK SAE FLAT WASHER (5/16) | 2    |
| 123  | 9121760  | 5/16-18 X 1 3/4 HEX BOLT   | 2    |
| 124  | 9121280  | 1/4-20 X 1 1/2 HEX BOLT  | 2    |
| 125  | 9120880  | 1/4 SPLIT LOCK WASHER  | 2    |
| 126  | 9120930  | 9/32 I.D. X 5/8 O.D. X .051/.080 THICK SAE FLAT WASHER (1/4)     | 2    |
| 127  | 2492541  | CENTER HOLD DOWN   | 1    |
| 128  | 2492591  | CENTER HOLD DOWN SPACER  | 2    |

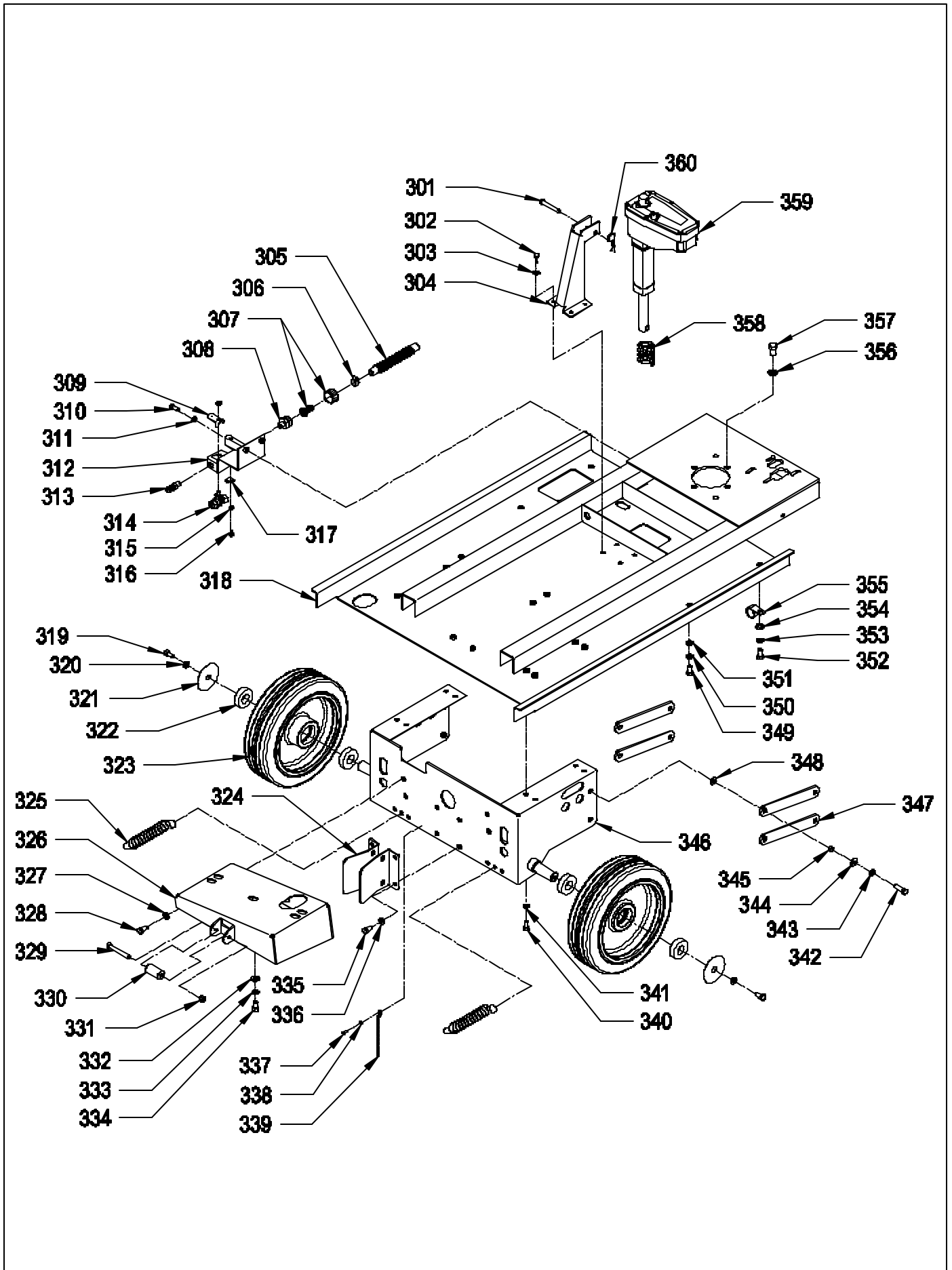
| ITEM | PART NO. | DESCRIPTION   | QTY. |
|------|----------|---|------|
| 201  | 9122343  | 3/8-16 X 2 HEX HEAD FULL THREADED BOLT                                | 3    |
| 202  | 9122100  | 3/8 SPLIT LOCK WASHER   | 3    |
| 203  | 9121400  | 3/8 I.D. X 7/8 O.D. X .064/.104 THICK WROUGHT WASHER (5/16)           | 3    |
| 204  | 7691259  | CHAIN KIT - CHAIN WITH TWO MASTERS (1 OF ITEM 204 AND 2 OF ITEMS 205) | 1    |
|      | 2790341  | ROLLER CHAIN 67 LINKS WITHOUT MASTER                                  | 1    |
| 205  | 2795211  | LINK - MASTER #40 CHAIN NICKEL  | 2    |
| 206  | 5294201  | NYLON CABLE CLAMP   | 2    |
| 207  | 9120510  | 10-24 X 1/2 TRUSS HEAD PHILLIPS MACHINE SCREW                         | 2    |
| 208  | 2395761  | CLAMP, TUBE   | 1    |
| 209  | 9121400  | 3/8 I.D. X 7/8 O.D. X .064/.104 THICK WROUGHT WASHER (5/16)           | 1    |
| 210  | 9122140  | 3/8-16 HEX NUT WITH NY-LOK INSERT                                     | 1    |
| 211  | 6492051  | STUD TERMINAL BOOT - RUBBER   | 2    |
| 212  | 9120900  | 1/4-20 HEX NUT WITH NY-LOK INSERT                                     | 1    |
| 213  | 7690971  | BRAKE CABLE   | 1    |
| 214  | 3695581  | HEIGHT ADJUSTING SPRING   | 1    |
| 215  | 9121250  | 1/4-20 X 3/4 HEX BOLT WITH NYLON PATCH                                | 1    |
| 216  | 9122371  | 3/8-24 X 2 1/8 HEX BOLT   | 2    |
| 217  | 9121400  | 3/8 I.D. X 7/8 O.D. X .064/.104 THICK WROUGHT WASHER (5/16)           | 2    |
| 218  | 7690981  | LOWER BRAKE CABLE BRACKET   | 1    |
| 219  | 7690071  | 12 X 4 DRIVE WHEEL  | 1    |
|      | 7692061  | WHEEL / TIRE  | 1    |
|      | 7692131  | WHEEL BOLTS   | 10   |
|      | 7692121  | DRIVE MOTOR   | 1    |
|      | 7692051  | DRIVE MOTOR CARBON BRUSH KIT  | 1    |
|      | 7692081  | BRAKE ROTOR   | 1    |
|      | 7692071  | BRAKE CALAPER   | 1    |
| 220  | 9122323  | 3/8-16 X 1 1/4 FLAT HEAD SOCKET CAP SCREW                             | 2    |
| 221  | 7690581  | STEERING YOKE   | 1    |
| 222  | 7690563  | FENDER / TOW HOOK / SPACER  | 1    |
| 223  | 7690571  | DRIVEN SPROCKET - STEERING  | 1    |
| 224  | 9121400  | 3/8 I.D. X 7/8 O.D. X .064/.104 THICK WROUGHT WASHER (5/16)           | 1    |
| 225  | 9122100  | 3/8 SPLIT LOCK WASHER   | 1    |
| 226  | 9122300  | 3/8-16 X 1 1/4 HEX BOLT   | 1    |
| 227  | 7690591  | SEAL - STEERING   | 1    |
| 228  | 7690671  | BEARING CONE - STEERING BOTTOM  | 1    |
| 229  | 7690681  | BEARING CUP - STEERING BOTTOM   | 1    |
| 230  | 7690509  | BEARING BLOCK - STEERING ASSEMBLY (INCL. ITEMS 227 - 231)             | 1    |
| 231  | 2790311  | BEARING, BOTTOM END   | 1    |
| 232  | 9123105  | 3/4 I.D. X 1 1/4 O.D. X .071/.082 THICK FLAT WASHER (11 GAGE)         | 1    |
| 233  | 9123100  | 3/4-16 HEX SLOTTED NUT - STEEL  | 1    |
| 234  | 9120314  | 1/8 X 1 1/4 COTTER PIN - STEEL  | 1    |

# DRIVE WHEEL ASSEMBLY



| ITEM | PART NO. | DESCRIPTION   | QTY. |
|------|----------|---|------|
| 301  | 7690311  | 3/8" DIAMETER X 2.505 LONG CLEVIS PIN                           | 1    |
| 302  | 9121210  | 1/4-20 X 5/8 HEX BOLT   | 4    |
| 303  | 9120880  | 1/4 SPLIT LOCK WASHER   | 4    |
| 304  | 7690301  | BRUSH ACTUATOR BRACKET  | 1    |
| 305  | 7693781  | 6.5 X 3/4 CONVOLUTED HOSE                                       | 1    |
| 306  | 7693811  | HOSE CLAMP, 9/16" TO 1 1/16"                                    | 1    |
| 307  | 7693771  | FILTER FITTING - 3/4HOSE BARB AND COLLAR                        | 1    |
| 308  | 2690232  | FILTER FITTING, VALVE   | 1    |
| 309  | 7691041  | VALVE LEVER   | 1    |
| 310  | 9121600  | 5/16-18 X 5/8 HEX BOLT  | 2    |
| 311  | 9121520  | 5/16 SPLIT LOCK WASHER  | 2    |
| 312  | 7691031  | SOLUTION VALVE HANGER   | 1    |
| 313  | 2495161  | 1/2 HOSE BARB X 1/4 MPT   | 1    |
| 314  | 1391531  | SOLUTION VALVE  | 1    |
| 315  | 9120370  | 7/32 I.D. X 1/2 O.D. X .032/.065 THICK SAE FLAT WASHER (#10)    | 1    |
| 316  | 9120510  | 10-24 X 1/2 TRUSS HEAD PHILLIPS MACHINE SCREW                   | 1    |
| 317  | 7691061  | CONDUIT CLAMP   | 1    |
| 318  | 7690141  | MAIN FRAME  | 1    |
| 319  | 9122220  | 3/8-16 X 3/4 HEX BOLT   | 2    |
| 320  | 9122100  | 3/8 SPLIT LOCK WASHER   | 2    |
| 321  | 9122110  | 3/8 X 1 1/2 FENDER WASHER                                       | 2    |
| 322  | 2790311  | BEARING, BOTTOM END   | 4    |
| 323  | 7690089  | 12 X 3 WHEEL - ASSEMBLY (INCL. 2 OF ITEM 322 AND 1 OF ITEM 323) | 2    |
| 324  | 7690211  | SQUEEGEE MOUNT / STOP BRACKET                                   | 2    |
| 325  | 7690291  | EXTENSION SPRING, SQUEEGEE                                      | 2    |
| 326  | 7694013  | MOUNTING BRACKET - LOWER RECOVERY TANK                          | 1    |
| 327  | 9122100  | 3/8 SPLIT LOCK WASHER   | 4    |
| 328  | 9122220  | 3/8-16 X 3/4 HEX BOLT   | 4    |
| 329  | 9122350  | 3/8-16 X 3 HEX BOLT   | 1    |
| 330  | 7690811  | GUIDE   | 1    |
| 331  | 9122140  | 3/8-16 HEX NUT WITH NY-LOK INSERT                               | 1    |
| 332  | 9121400  | 3/8 I.D. X 7/8 O.D. X .064/.104 THICK WROUGHT WASHER (5/16)     | 2    |
| 333  | 9122100  | 3/8 SPLIT LOCK WASHER   | 2    |
| 334  | 9122220  | 3/8-16 X 3/4 HEX BOLT   | 2    |
| 335  | 9122220  | 3/8-16 X 3/4 HEX BOLT   | 4    |
| 336  | 9122100  | 3/8 SPLIT LOCK WASHER   | 4    |
| 337  | 9120380  | 10-24 X 3/8 ROUND HEAD PHILLIPS MACHINE SCREW                   | 1    |
| 338  | 9120320  | #10 SPLIT LOCK WASHER   | 1    |
| 339  | 6491867  | ROUND BEAD CHAIN  | 1    |
|      | 6491871  | END COUPLING - ROUND BEAD CHAIN                                 | 1    |
| 340  | 9122220  | 3/8-16 X 3/4 HEX BOLT   | 8    |
| 341  | 9122100  | 3/8 SPLIT LOCK WASHER   | 8    |
| 342  | 9122300  | 3/8-16 X 1 1/4 HEX BOLT   | 8    |
| 343  | 9122100  | 3/8 SPLIT LOCK WASHER   | 8    |
| 344  | 9121400  | 3/8 I.D. X 7/8 O.D. X .064/.104 THICK WROUGHT WASHER (5/16)     | 8    |
| 345  | 2691181  | PIVOT SPACER, STABILIZER BAR                                    | 8    |
| 346  | 7690173  | AXLE BRACKET  | 1    |
| 347  | 2691171  | STABILIZER BAR  | 4    |
| 348  | 9121400  | 3/8 I.D. X 7/8 O.D. X .064/.104 THICK WROUGHT WASHER (5/16)     | 8    |
| 349  | 9122220  | 3/8-16 X 3/4 HEX BOLT   | 3    |
| 350  | 9122100  | 3/8 SPLIT LOCK WASHER   | 3    |
| 351  | 9121400  | 3/8 I.D. X 7/8 O.D. X .064/.104 THICK WROUGHT WASHER (5/16)     | 3    |
| 352  | 9122260  | 3/8-16 X 1 HEX BOLT   | 1    |
| 353  | 9122100  | 3/8 SPLIT LOCK WASHER   | 1    |
| 354  | 9121400  | 3/8 I.D. X 7/8 O.D. X .064/.104 THICK WROUGHT WASHER (5/16)     | 1    |
| 355  | 2395761  | CLAMP, TUBE   | 1    |
| 356  | 9122420  | 1/2 SPLIT LOCK WASHER   | 4    |
| 357  | 9122500  | 1/2-13 X 7/8 HEX BOLT   | 4    |
| 358  | 7691171  | COMPRESSION SPRING  | 1    |
| 359  | 7690541  | BRUSH / SQUEEGEE ACTUATOR MOTOR                                 | 1    |
|      | 7692091  | ACTUATOR SETTING INSTRUCTIONS                                   | 1    |
|      | 7690549  | BRUSH / SQUEEGEE ACTUATOR KIT                                   | 1    |
| 360  | 7690491  | #6 HAIR COTTER PIN  | 1    |

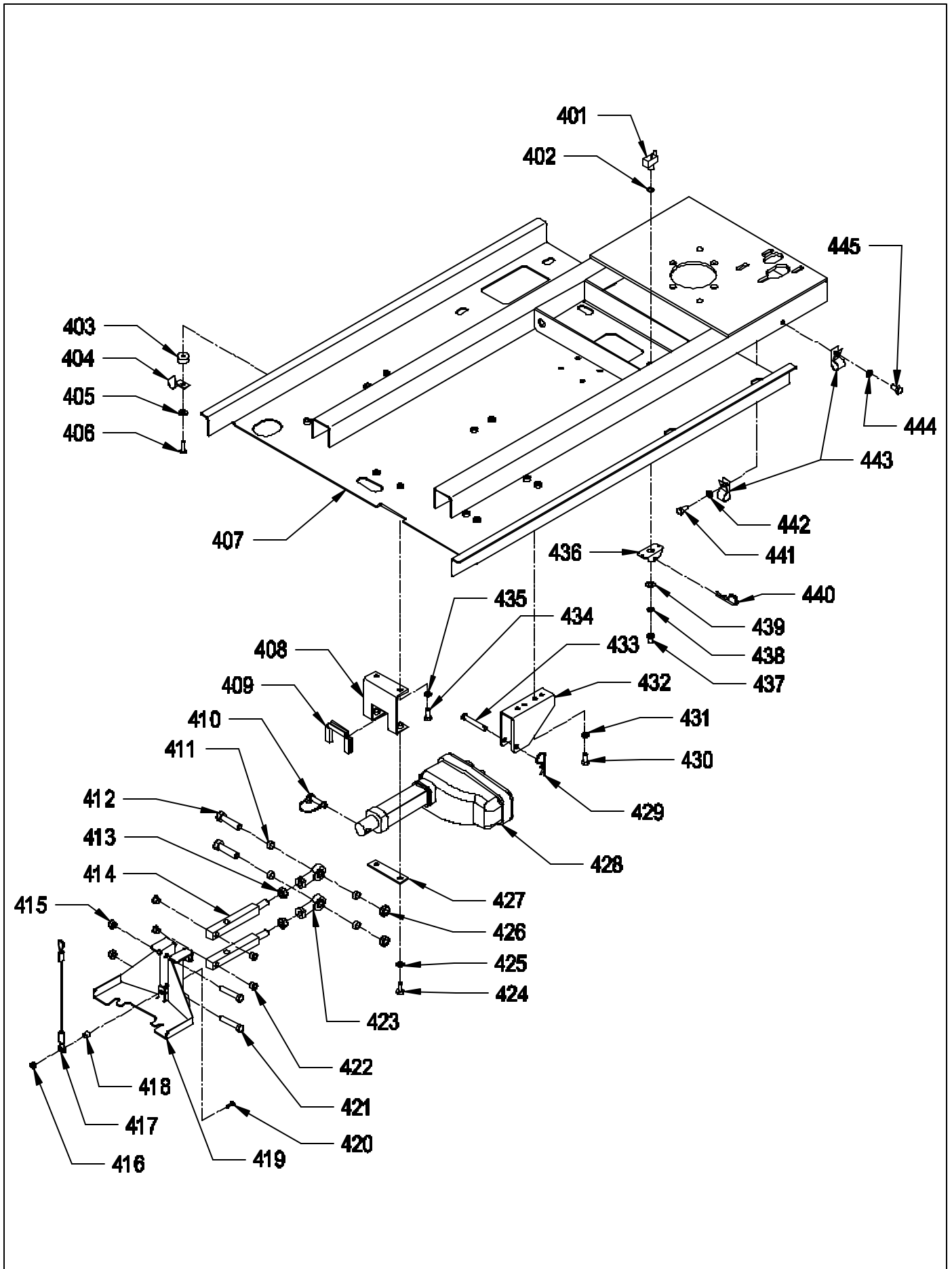
# CHASSIS ASSEMBLY



| ITEM | PART NO. | DESCRIPTION  | QTY. |
|------|----------|--|------|
| 401  | 3390411  | FORWARD - REVERSE SWITCH                                     | 1    |
| 402  | 0798821  | 5/8" HEX NUT (LARGE NUT)                                     | 1    |
| 403  | 7691361  | ACTUATOR SPRING GUIDE  | 1    |
| 404  | 2690971  | HOSE CLIP  | 1    |
| 405  | 9120930  | 9/32 I.D. X 5/8 O.D. X .051/.080 THICK SAE FLAT WASHER (1/4) | 1    |
| 406  | 9121270  | 1/4-20 X 1 HEX BOLT  | 1    |
| 407  | 7690141  | MAIN FRAME   | 1    |
| 408  | 7690191  | ACTUATOR MOUNT - REAR  | 1    |
| 409  | 9997600  | VINYL TRIM   | 4"   |
| 410  | 9121950  | 3/8 X 1 5/8 CLEVIS PIN WITH RETAINER                         | 1    |
| 411  | 2391461  | BUSHING - LIFT LEVER   | 4    |
| 412  | 9122580  | 1/2-13 X 2 HEX BOLT  | 2    |
| 413  | 9122670  | 1/2-20 HEX JAM NUT   | 2    |
| 414  | 1390156  | SQUEEGEE SHAFT   | 2    |
| 415  | 9122140  | 3/8-16 HEX NUT WITH NY-LOK INSERT                            | 2    |
| 416  | 9120900  | 1/4-20 HEX NUT WITH NY-LOK INSERT                            | 1    |
| 417  | 7691071  | SQUEEGEE LIFT CABLE  | 1    |
| 418  | 2791281  | BUSHING SPACER   | 1    |
| 419  | 7690221  | SQUEEGEE BRACKET   | 1    |
| 420  | 9121000  | 1/4-20 X 5/8 TRUSS HEAD PHILLIPS MACHINE SCREW               | 1    |
| 421  | 9122340  | 3/8-16 X 2 HEX BOLT  | 2    |
| 422  | 1391171  | 3/8 FLANGE NYLINER   | 4    |
| 423  | 2391941  | BALL JOINT   | 2    |
| 424  | 9121640  | 5/16-18 X 3/4 HEX BOLT                                       | 2    |
| 425  | 9121520  | 5/16 SPLIT LOCK WASHER                                       | 2    |
| 426  | 9122495  | 1/2-13 HEX NUT WITH NY-LOK INSERT - THIN                     | 2    |
| 427  | 7690201  | ACTUATOR MOUNT CLAMP   | 1    |
| 428  | 7690541  | BRUSH / SQUEEGEE ACTUATOR MOTOR                              | 1    |
|      | 7692091  | ACTUATOR SETTING INSTRUCTIONS                                | 1    |
|      | 7690549  | BRUSH / SQUEEGEE ACTUATOR KIT                                | 1    |
| 429  | 7690491  | #6 HAIR COTTER PIN   | 1    |
| 430  | 9121640  | 5/16-18 X 3/4 HEX BOLT                                       | 2    |
| 431  | 9121520  | 5/16 SPLIT LOCK WASHER                                       | 2    |
| 432  | 7694061  | FRONT MOUNT - SQUEEGEE ACTUATOR                              | 1    |
| 433  | 7690311  | 3/8" DIAMETER X 2.505" LONG CLEVIS PIN                       | 1    |
| 434  | 9121640  | 5/16-18 X 3/4 HEX BOLT                                       | 2    |
| 435  | 9121520  | 5/16 SPLIT LOCK WASHER                                       | 2    |
| 436  | 7691791  | SWITCH GUARD   | 1    |
| 437  | 0693141  | RUBBER SWITCH BOOT   | 1    |
| 438  | 0798821  | 5/8" HEX NUT (LARGE NUT)                                     | 1    |
| 439  | 0691851  | 1/2" SWITCH LOCK WASHER                                      | 1    |
| 440  | 7690491  | #6 HAIR COTTER PIN   | 1    |
| 441  | 9121210  | 1/4-20 X 5/8 HEX BOLT  | 2    |
| 442  | 9120880  | 1/4 SPLIT LOCK WASHER  | 2    |
| 443  | 4890851  | CABLE CLAMP  | 3    |
| 444  | 9120880  | 1/4 SPLIT LOCK WASHER  | 1    |
| 445  | 9121210  | 1/4-20 X 5/8 HEX BOLT  | 1    |

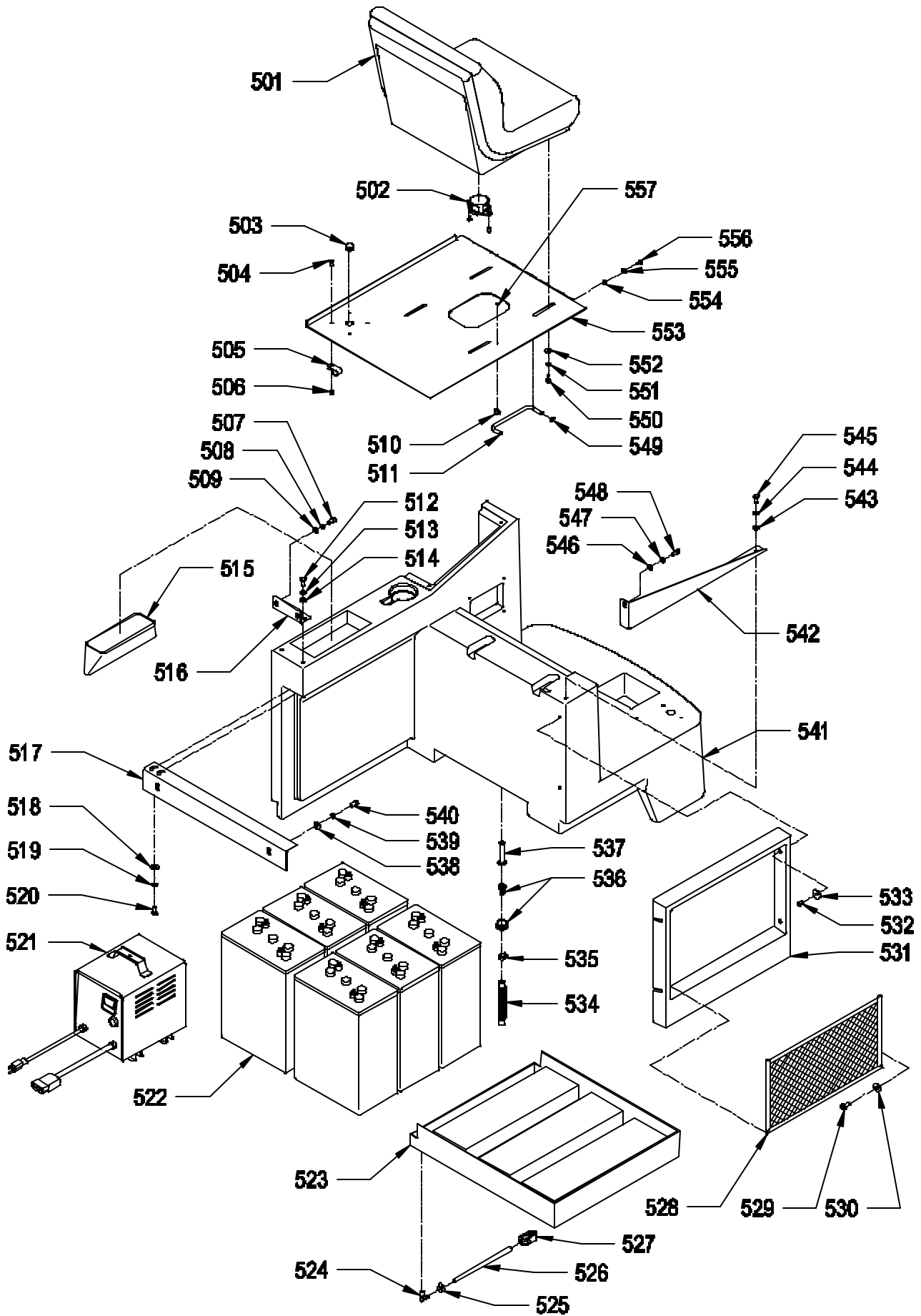


# SQUEEGEE ACTUATOR ASSEMBLY



| ITEM | PART NO. | DESCRIPTION  | QTY. |
|------|----------|--|------|
| 501  | 7690601  | SEAT   | 1    |
| 502  | 7691801  | SEAT SWITCH  | 1    |
| 503  | 0690761  | BUTTON, PLUG   | 1    |
| 504  | 9121000  | 1/4-20 X 5/8 TRUSS HEAD PHILLIPS MACHINE SCREW                         | 4    |
| 505  | 4890851  | CABLE CLAMP  | 1    |
| 506  | 9120900  | 1/4-20 HEX NUT WITH NY-LOCK INSERT                                     | 4    |
| 507  | 9122220  | 3/8-16 X 3/4 HEX BOLT  | 2    |
| 508  | 9122100  | 3/8 SPLIT LOCK WASHER  | 2    |
| 509  | 9121400  | 3/8 I.D. X 7/8 O.D. X .064/.104 THICK WROUGHT WASHER (5/16)            | 2    |
| 510  | 7691081  | 3/8 STOWAGE CLIP   | 1    |
| 511  | 7691191  | PROP ROD - BATTERY COVER / SEAT PLATE                                  | 1    |
| 512  | 9122220  | 3/8-16 X 3/4 HEX BOLT  | 2    |
| 513  | 9122100  | 3/8 SPLIT LOCK WASHER  | 2    |
| 514  | 9121400  | 3/8 I.D. X 7/8 O.D. X .064/.104 THICK WROUGHT WASHER (5/16)            | 2    |
| 515  | 7691249  | FILTER SCREEN ASSEMBLY   | 1    |
| 516  | 7691023  | SOLUTION TANK MOUNTING BRACKET - LEFT                                  | 1    |
| 517  | 7690163  | UPPER MOUNTING BRACKET - RECOVERY TANK                                 | 1    |
| 518  | 9121400  | 3/8 I.D. X 7/8 O.D. X .064/.104 THICK WROUGHT WASHER (5/16)            | 2    |
| 519  | 9122100  | 3/8 SPLIT LOCK WASHER  | 2    |
| 520  | 9122220  | 3/8-16 X 3/4 HEX BOLT  | 2    |
| 521  | 7691411  | BATTERY CHARGER - 36 AMP - 36 VOLT DC - 120 VOLT (FOR 395 AMP BATTERY) | 1    |
|      | 7691431  | BATTERY CHARGER - 36 AMP - 36 VOLT DC - 240 VOLT (FOR 395 AMP BATTERY) | 1    |
|      | 7691471  | BATTERY CHARGER 120 VOLT AC - 36 VOLT DC (FOR 325 AMP BATTERY)         | 1    |
|      | 7691481  | BATTERY CHARGER 240 VOLT AC - 36 VOLT DC (FOR 325 AMP BATTERY)         | 1    |
| 522  | 2690951  | BATTERY, DRY, 6 VOLT, 325 AMP / HOUR                                   | 6    |
|      | 2691501  | BATTERY, WET, 6 VOLT, 325 AMP / HOUR                                   | 6    |
|      | 7691401  | BATTERY - 395 AMP HOUR - 6 VOLT DC - WET                               | 6    |
|      | 7691421  | BATTERY - 395 AMP HOUR - 6 VOLT DC - DRY                               | 6    |
| 523  | 7690051  | BATTERY BOX  | 1    |
| 524  | 2490601  | FITTING, ELL 3/8 BARB X 1/4 MNPT                                       | 1    |
| 525  | 5092371  | CORD CLAMP - CRIMP ON  | 1    |
| 526  | 8791070  | VINYL HOSE, 3/8" I.D. X 1/2" O.D.                                      | 18"  |
| 527  | 3390661  | TUBING CONTROL VALVE   | 1    |
| 528  | 7691391  | CARGO NET  | 1    |
| 529  | 9120790  | 10 X 5/8 PAN HEAD PHILLIPS SHEET METAL SCREW                           | 4    |
| 530  | 9130370  | 7/32 I.D. X 1/2 O.D. X .032/.065 THICK FLAT WASHER (#10)               | 4    |
| 531  | 7690061  | SIDE COVER   | 1    |
| 532  | 9121000  | 1/4-20 X 5/8 TRUSS HEAD PHILLIPS MACHINE SCREW                         | 4    |
| 533  | 9120950  | 1/4 X 1 1/4 FENDER WASHER  | 4    |
| 534  | 7693781  | 6.5 X 3/4 CONVOLUTED HOSE  | 1    |
| 535  | 7693811  | HOSE CLAMP, 9/16" TO 1 1/16"   | 1    |
| 536  | 7693771  | FILTER FITTING - 3/4HOSE BARB AND COLLAR                               | 1    |
| 537  | 2692471  | FILTER, LONG LINE  | 1    |
| 538  | 9121400  | 3/8 I.D. X 7/8 O.D. X .064/.104 THICK WROUGHT WASHER (5/16)            | 2    |
| 539  | 9122100  | 3/8 SPLIT LOCK WASHER  | 2    |
| 540  | 9122220  | 3/8-16 X 3/4 HEX BOLT  | 2    |
| 541  | 7690011  | SOLUTION TANK  | 1    |
| 542  | 7691013  | SOLUTION TANK MOUNTING BRACKET - RIGHT                                 | 1    |
| 543  | 9121400  | 3/8 I.D. X 7/8 O.D. X .064/.104 THICK WROUGHT WASHER (5/16)            | 1    |
| 544  | 9122100  | 3/8 SPLIT LOCK WASHER  | 1    |
| 545  | 9122220  | 3/8-16 X 3/4 HEX BOLT  | 1    |
| 546  | 9121400  | 3/8 I.D. X 7/8 O.D. X .064/.104 THICK WROUGHT WASHER (5/16)            | 1    |
| 547  | 9122100  | 3/8 SPLIT LOCK WASHER  | 1    |
| 548  | 9122220  | 3/8-16 X 3/4 HEX BOLT  | 1    |
| 549  | 7691091  | 3/8 EXTERNAL E-RING - PROP ROD   | 2    |
| 550  | 9121640  | 5/16-18 X 3/4 HEX BOLT   | 4    |
| 551  | 9121520  | 5/16 SPLIT LOCK WASHER   | 4    |
| 552  | 9120940  | 5/16 I.D. X 3/4 O.D. X .051/.080 THICK WROUGHT WASHER (1/4)            | 4    |
| 553  | 7690133  | BATTERY COVER / SEAT PLATE   | 1    |
| 554  | 9120930  | 9/32 I.D. X 5/8 O.D. X .051/.080 THICK SAE FLAT WASHER (1/4)           | 3    |
| 555  | 9120970  | 1/4 EXTERNAL STAR LOCK WASHER  | 3    |
| 556  | 9121000  | 1/4-20 X 5/8 TRUSS HEAD PHILLIPS MACHINE SCREW                         | 3    |
| 557  | 9120307  | 1/8 X 3/16 DOME HEAD POP RIVET - ALUMINUM                              | 1    |

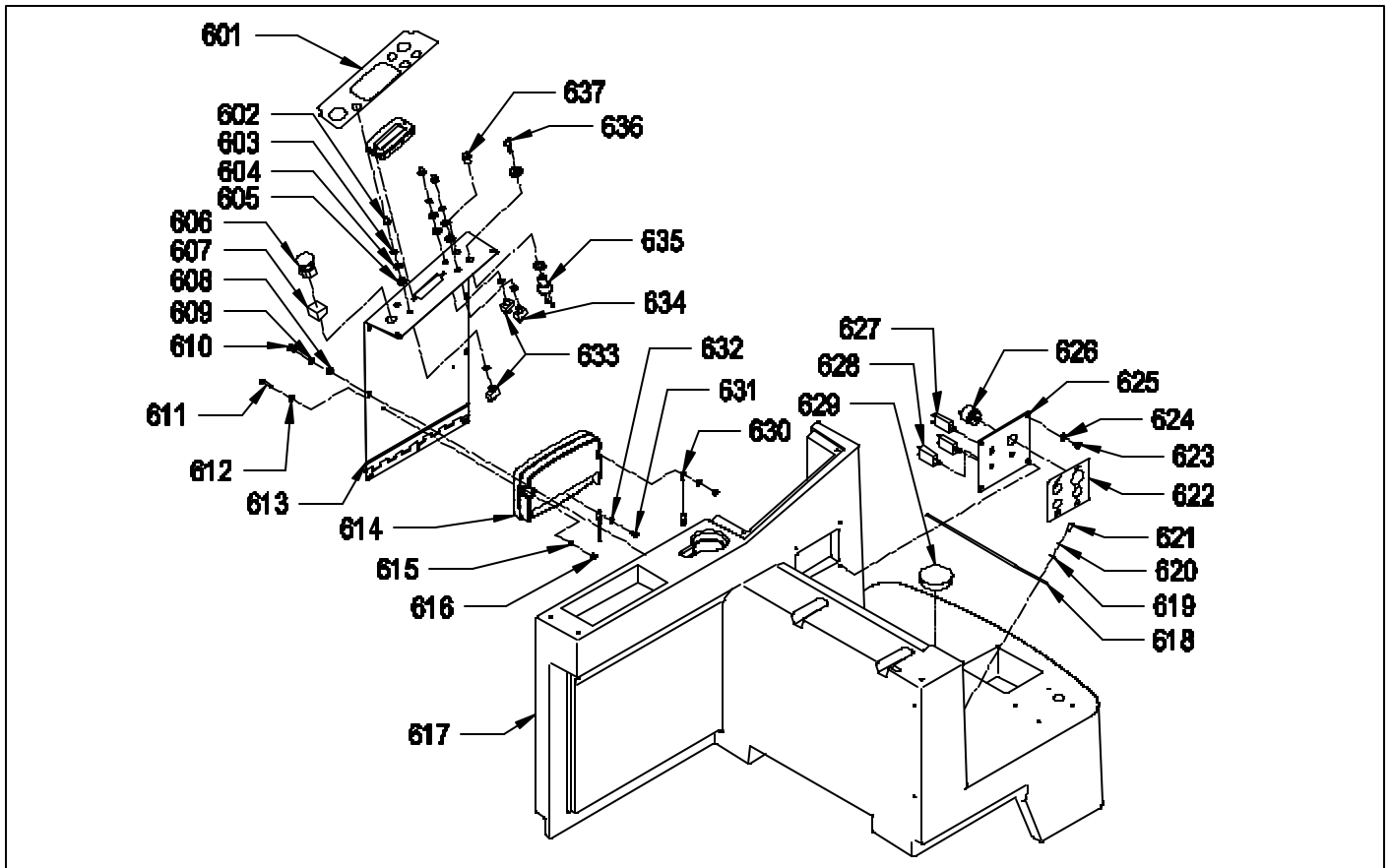
# SOLUTION TANK ASSEMBLY



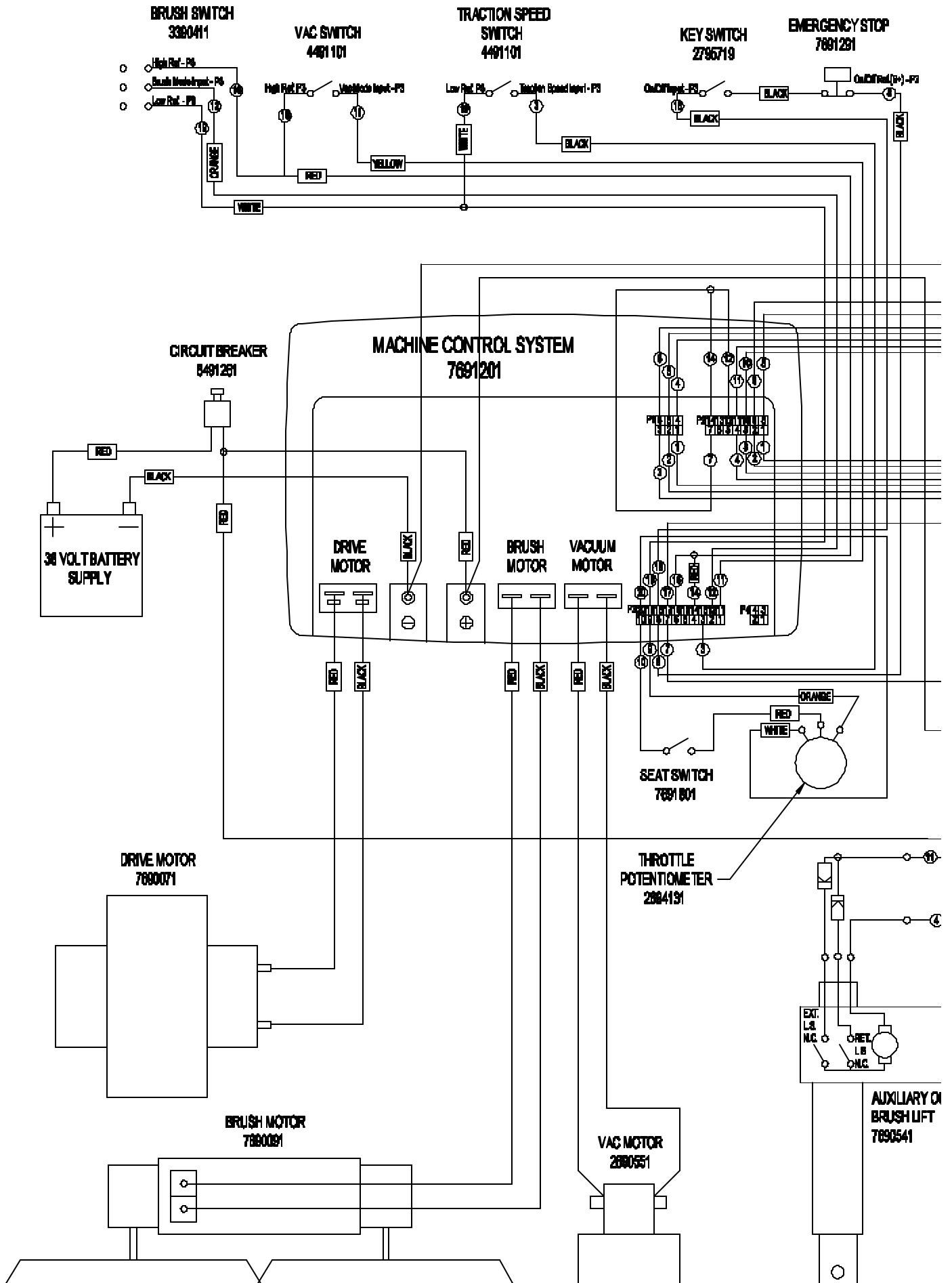
# ELECTRICAL COMPONENTS

| PART NO. | DESCRIPTION  | QTY. |
|----------|--|------|
| 2391981  | BATTERY JUMPER 3/8" RING   | 5    |
| 2690551  | VAC MOTOR, 36 VOLT   | 1    |
| 2690951  | BATTERY, DRY, 6 VOLT, 325 AMP / HOUR                                   | 6    |
| 2691501  | BATTERY, WET, 6 VOLT, 325 AMP / HOUR                                   | 6    |
| 2694131  | POTENTIOMETER, CURTIS SPEED CONTROLLER                                 | 1    |
| 2792571  | REPLACEMENT CARBON BRUSH - VAC MOTOR                                   | 2    |
| 2795711  | KEY SWITCH WITH KEY  | 1    |
| 2796131  | REPLACEMENT KEY FOR 2795711  | 1    |
| 3390411  | FORWARD - REVERSE SWITCH   | 2    |
| 4491101  | TOGGLE SWITCH, MOTOR   | 2    |
| 4890791  | CIRCUIT BREAKER - 2 AMP  | 2    |
| 6491261  | CIRCUIT BREAKER - 90 AMP   | 1    |
| 7690071  | 12 X 4 DRIVE WHEEL   | 1    |
| 7690091  | BRUSH MOTOR  | 1    |
| 7690521  | SOLUTION SOLENOID VALVE  | 1    |
| 7690541  | BRUSH / SQUEEGEE ACTUATOR MOTOR  | 2    |
| 7691201  | MACHINE CONTROL SYSTEM   | 1    |
| 7691211  | LCD MODULE   | 1    |
| 7691221  | BACK UP ALARM  | 1    |
| 7691291  | EMERGENCY STOP   | 1    |
| 7691301  | EMERGENCY STOP BLOCK   | 1    |
| 7691401  | BATTERY - 395 AMP HOUR - 6 VOLT DC - WET                               | 6    |
| 7691411  | BATTERY CHARGER - 36 AMP - 36 VOLT DC -120 VOLT (FOR 395 AMP BATTERY)  | 1    |
| 7691421  | BATTERY - 395 AMP HOUR - 6 VOLT DC - DRY                               | 6    |
| 7691431  | BATTERY CHARGER - 36 AMP - 36 VOLT DC - 240 VOLT (FOR 395 AMP BATTERY) | 1    |
| 7691471  | BATTERY CHARGER 120 VOLT AC - 36 VOLT DC (FOR 325 AMP BATTERY)         | 1    |
| 7691481  | BATTERY CHARGER 240 VOLT AC - 36 VOLT DC (FOR 325 AMP BATTERY)         | 1    |
| 7691621  | CIRCUIT BREAKER TO CONTROLLER  | 1    |
| 7691631  | PUSH BUTTON SWITCH   | 2    |
| 7691641  | EMERGENCY STOP TO KEY SWITCH   | 1    |
| 7691651  | CONTROLLER TO LCD  | 1    |
| 7691661  | WIRING ASSEMBLY, ANDERSON TO +/- BATTERY                               | 1    |
| 7691671  | CONTROLLER TO BRUSH  | 1    |
| 7691681  | CONTROLLER TO DRIVE MOTOR  | 1    |
| 7691691  | WIRING HARNESS: BATTERIES TO CONTROLLER                                | 1    |
| 7691701  | MAIN WIRING HARNESS  | 1    |
| 7691711  | AUXILIARY HARNESS TO CONTROLLER  | 1    |
| 7691721  | LCD TO SWITCH  | 1    |
| 7691731  | GROUND WIRE  | 2    |
| 7691741  | BACK-UP ALARM WIRE   | 1    |
| 7691751  | WIRE ASSEMBLY - HIGH REFERENCE   | 1    |
| 7691761  | WIRE ASSEMBLY - LOW REFERENCE  | 1    |
| 7691781  | WIRE ASSEMBLY - OVERRIDE SWITCH TO BRUSH ACTUATOR                      | 1    |
| 7691801  | SEAT SWITCH  | 1    |
| 7691821  | STROBE LIGHT (OPTIONAL)  | 1    |
| 7691831  | HEADLIGHT (OPTIONAL)   | 1    |
| 7691871  | AUXILIARY HARNESS TO CONTROLER   | 1    |
| 7692021  | HEADLIGHT BULB   | 1    |
| 7692031  | STROBE LIGHT BULB  | 1    |
| 7692041  | CARBON BRUSH - BRUSH MOTOR   | 4    |
| 7692051  | CARBON BRUSH - DRIVE WHEEL   | 4    |
| 7692091  | ACTUATOR SETTING INSTRUCTIONS  | 1    |
| 9123000  | 1/8 X 11" WIRE TIE   | 1    |
| 9123005  | 5 1/2" LONG WIRE TIE   | 5    |

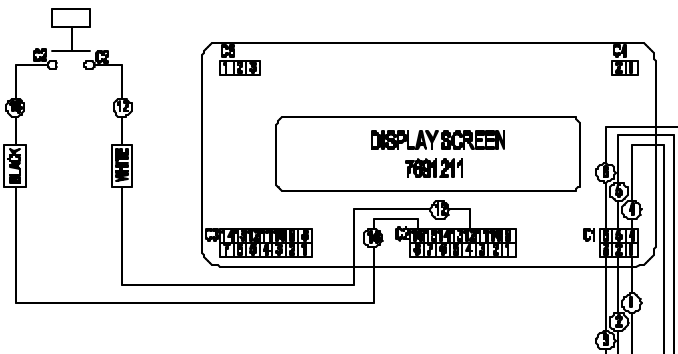
## ELECTRICAL PANEL ASSEMBLY



| ITEM | PART NO. | DESCRIPTION  | QTY. |
|------|----------|--|------|
| 601  | 7691811  | ELECTRICAL PANEL - DECAL                                     | 1    |
| 602  | 0693141  | RUBBER SWITCH BOOT   | 3    |
| 603  | 0798821  | 5/8" HEX NUT (LARGE NUT)                                     | 6    |
| 604  | 0691851  | 1/2" SWITCH LOCK WASHER                                      | 3    |
| 605  | 9122465  | .516 I.D. X .813 O.D. X .027/.030 THICK FLAT WASHER          | 3    |
| 606  | 7691291  | EMERGENCY STOP   | 1    |
| 607  | 7691301  | EMERGENCY STOP BLOCK   | 1    |
| 608  | 9120930  | 9/32 I.D. X 5/8 O.D. X .051/.080 THICK SAE FLAT WASHER (1/4) | 7    |
| 609  | 9120970  | 1/4 EXTERNAL STAR LOCK WASHER                                | 7    |
| 610  | 9121000  | 1/4-20 X 5/8 TRUSS HEAD PHILLIPS MACHINE SCREW               | 7    |
| 611  | 9120460  | 10-24 X 1 1/4 ROUND HEAD PHILLIPS MACHINE SCREW              | 2    |
| 612  | 9120330  | #10 EXTERNAL STAR LOCK WASHER                                | 2    |
| 613  | 7690113  | ELECTRICAL PANEL   | 1    |
| 614  | 7691201  | MACHINE CONTROL SYSTEM                                       | 1    |
| 615  | 9120370  | 7/32 I.D. X 1/2 O.D. X .032/.065 THICK SAE FLAT WASHER (#10) | 2    |
| 616  | 9120350  | 10-24 HEX NUT WITH NY-LOK INSERT                             | 2    |
| 617  | 7691861  | SIDE DECAL   | 1    |
| 618  | 7690011  | SOLUTION TANK  | 1    |
| 619  | 7690123  | ACTUATOR COVER PANEL   | 1    |
| 620  | 9120930  | 9/32 I.D. X 5/8 O.D. X .051/.080 THICK SAE FLAT WASHER (1/4) | 4    |
| 621  | 9120970  | 1/4 EXTERNAL STAR LOCK WASHER                                | 4    |
| 622  | 7690321  | CHAMP ZS COLOR DECAL KIT                                     | 1    |
| 623  | 9121000  | 1/4-20 X 5/8 TRUSS HEAD PHILLIPS MACHINE SCREW               | 4    |
| 624  | 9121000  | 1/4-20 X 5/8 TRUSS HEAD PHILLIPS MACHINE SCREW               | 4    |
| 625  | 9120970  | 1/4 EXTERNAL STAR LOCK WASHER                                | 4    |
| 626  | 7690103  | PANEL - CIRCUIT BREAKER                                      | 1    |
| 627  | 7691221  | BACK UP ALARM  | 1    |
| 628  | 6491261  | CIRCUIT BREAKER - 90 AMP                                     | 1    |
| 629  | 4890791  | CIRCUIT BREAKER - 2 AMP                                      | 2    |
| 630  | 6490791  | PLUG 3"  | 1    |
| 631  | 7691731  | GROUND WIRE  | 1    |
| 632  | 9120835  | M6 X 12.7 HEX HEAD BOLT                                      | 2    |
| 633  | 9120970  | 1/4 EXTERNAL STAR LOCK WASHER                                | 2    |
| 634  | 4491101  | TOGGLE SWITCH, MOTOR   | 2    |
| 635  | 3390411  | FORWARD - REVERSE SWITCH                                     | 1    |
| 636  | 2795711  | KEY SWITCH WITH KEY  | 1    |
| 637  | 2796131  | REPLACEMENT KEY FOR 2795711                                  | 1    |
| 638  | 7691631  | PUSH BUTTON SWITCH   | 1    |
| 639  | 7691211  | LCD MODULE   | 1    |



**DISPLAY TOGGLE SWITCH  
7881631**

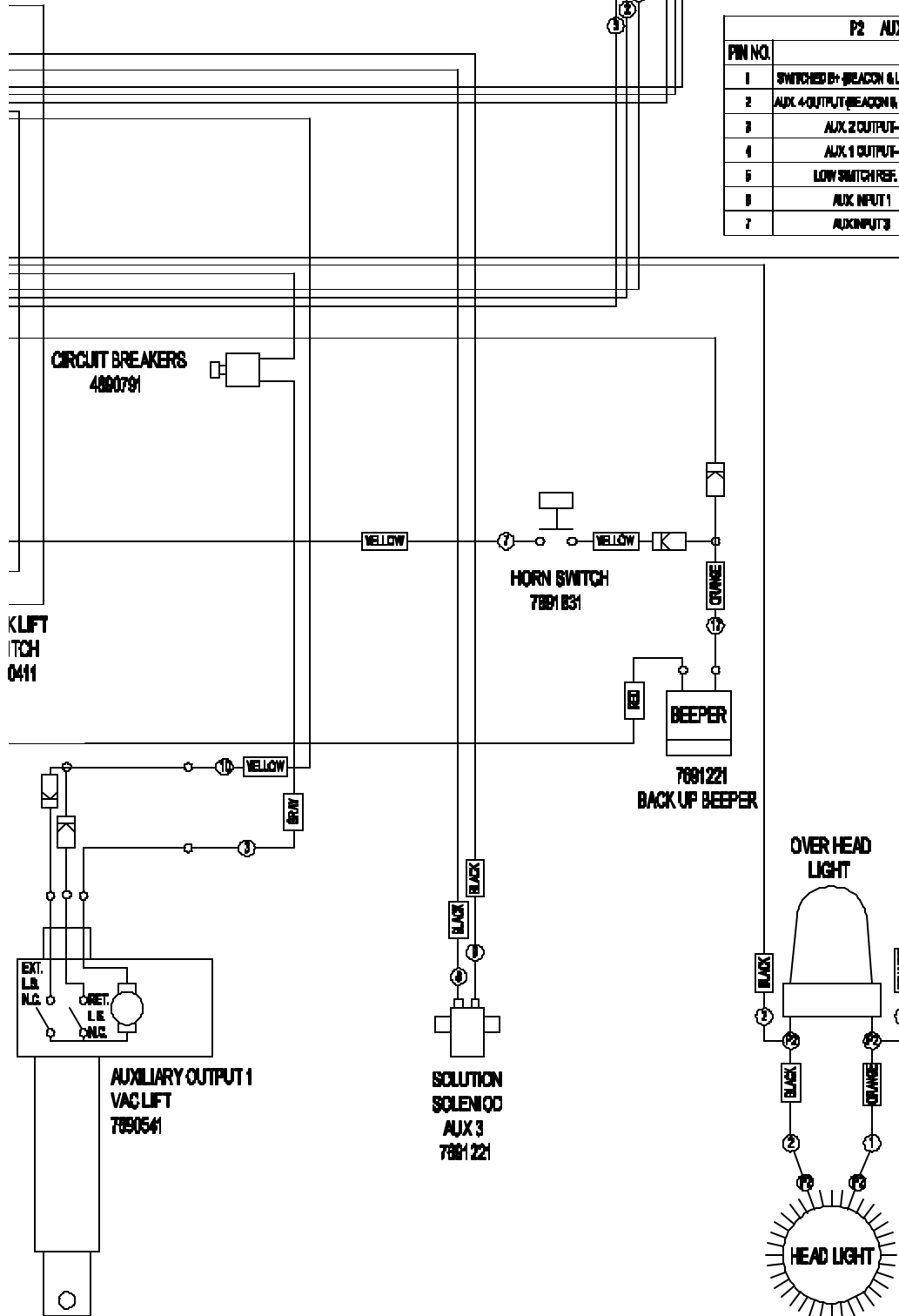


**P3 INPUT/OUTPUT CONTROL CONNECTIONS**

| PIN NO. |                      | PIN NO. |                     |
|---------|----------------------|---------|---------------------|
| 1       |                      | 11      | VACUUM MODE INPUT   |
| 2       |                      | 12      | BURST MODE INPUT    |
| 3       | TRACTION SPEED INPUT | 13      |                     |
| 4       |                      | 14      | INHIBIT INPUT       |
| 5       |                      | 15      |                     |
| 6       |                      | 16      | HIGH SWITCH REF. 5V |
| 7       | HORN OUTPUT          | 17      | ALARM OUTPUT        |
| 8       | ON/OFF REF. (H)      | 18      | ON/OFF INPUT        |
| 9       | THROTTLE LQ REF.     | 19      | LOW SWITCH REF. 5V  |
| 10      | THROTTLE WPER        | 20      | THROTTLE HI REF.    |

**P2 AUXILIARY INPUT/OUTPUT CONNECTOR**

| PIN NO. |                                 | PIN NO. |                                |
|---------|---------------------------------|---------|--------------------------------|
| 1       | SWITCHED BY+ (BEACON & LIGHTS)  | 8       | SWITCHED BY- (SOLUTION VALVE)  |
| 2       | AUX. 4-OUTPUT (BEACON & LIGHTS) | 9       | AUX. 3-OUTPUT (SOLUTION VALVE) |
| 3       | AUX. 2-OUTPUT-                  | 10      | AUX. 2-OUTPUT +                |
| 4       | AUX. 1-OUTPUT-                  | 11      | AUX. 1-OUTPUT +                |
| 5       | LOW SWITCH REF. 5V              | 12      | HIGH SWITCH REF. 5V            |
| 6       | AUX. INPUT 1                    | 13      | AUX. INPUT 2                   |
| 7       | AUX. INPUT 3                    | 14      | AUX. INPUT 4                   |



**CIRCUIT BREAKERS  
4880791**

K LIFT  
TCH  
0411

**HORN SWITCH  
7881631**

**BEEPER  
7881221  
BACK UP BEEPER**

**AUXILIARY OUTPUT 1  
VAC LIFT  
7890541**

**SOLUTION SOLENOID  
AJX 3  
7881221**

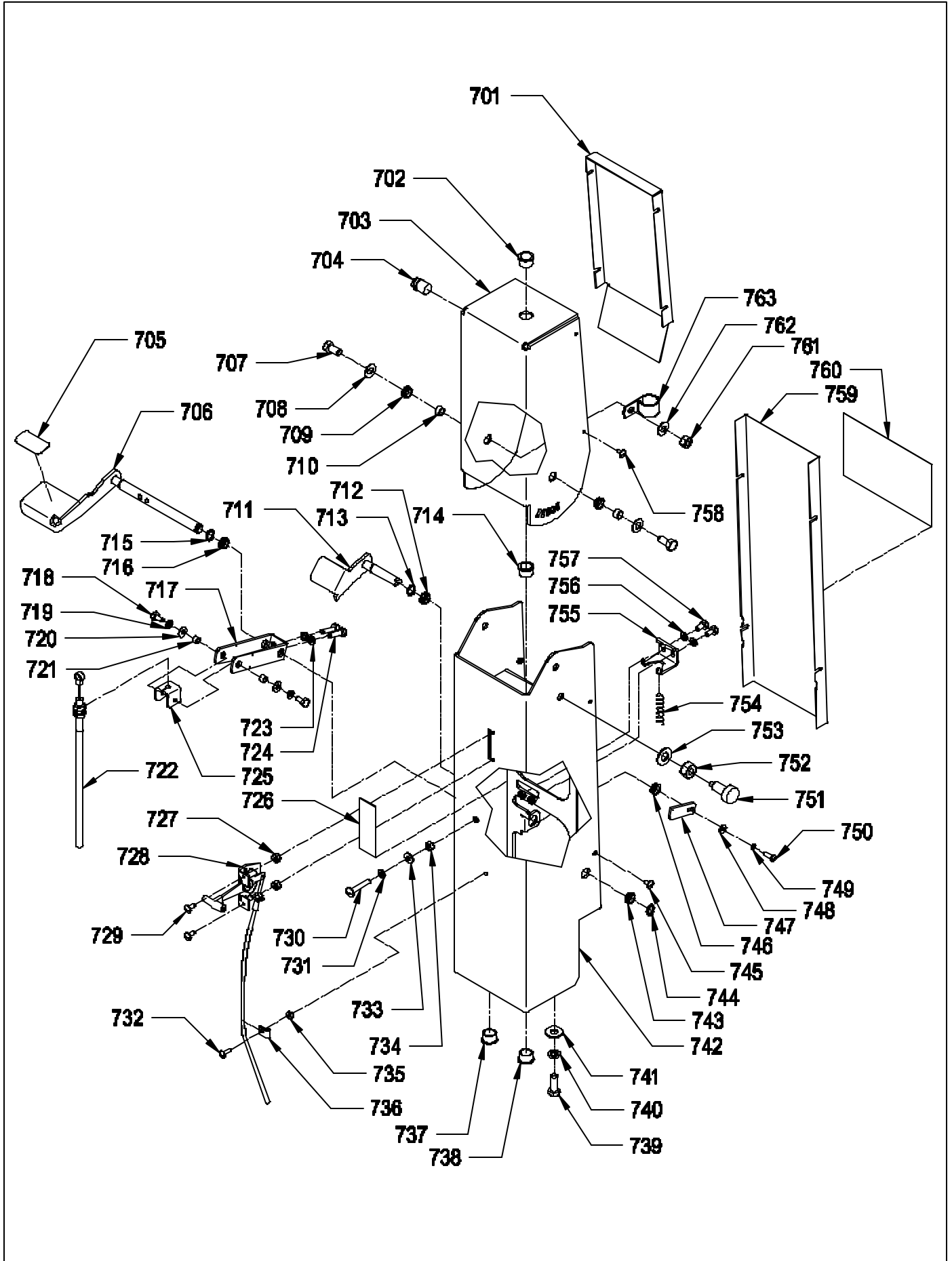
**OVER HEAD  
LIGHT**

**HEAD LIGHT**

| ITEM | PART NO. | DESCRIPTION  | QTY. |
|------|----------|--|------|
| 701  | 7690743  | TILT COLUMN COVER  | 1    |
| 702  | 2790761  | BEARING, FLANGE FF-71  | 1    |
| 703  | 7690733  | UPPER COLUMN   | 1    |
| 704  | 7691631  | PUSH BUTTON SWITCH   | 1    |
| 705  | 1390571  | STEP TREAD   | 1    |
| 706  | 7691101  | BRAKE PEDAL  | 1    |
| 707  | 9122300  | 3/8-16 X 1 1/4 HEX BOLT  | 2    |
| 708  | 9121400  | 3/8 I.D. X 7/8 O.D. X .064/.104 THICK WROUGHT WASHER (5/16)      | 2    |
| 709  | 7690691  | NYLINER - STEERING TILT  | 2    |
| 710  | 2691181  | PIVOT SPACER, STABILIZER BAR                                     | 2    |
| 711  | 7691131  | PARKING BRAKE PEDAL  | 1    |
| 712  | 7690691  | NYLINER - STEERING TILT  | 1    |
| 713  | 5091701  | RETAINING RING   | 1    |
| 714  | 2790761  | BEARING, FLANGE FF-71  | 1    |
| 715  | 5091701  | RETAINING RING   | 1    |
| 716  | 7690691  | NYLINER - STEERING TILT  | 1    |
| 717  | 7691111  | BRAKE CABLE ARM  | 1    |
| 718  | 9121170  | 1/4-20 X 1/2 HEX BOLT  | 2    |
| 719  | 9120880  | 1/4 SPLIT LOCK WASHER  | 2    |
| 720  | 9120930  | 9/32 I.D. X 5/8 O.D. X .051/.080 THICK SAE FLAT WASHER (1/4)     | 2    |
| 721  | 2791281  | BUSHING SPACER   | 2    |
| 722  | 7690971  | BRAKE CABLE  | 1    |
| 723  | 9120880  | 1/4 SPLIT LOCK WASHER  | 2    |
| 724  | 9121270  | 1/4-20 X 1 HEX BOLT  | 2    |
| 725  | 7691121  | BRAKE CABLE PIVOT BRACKET  | 1    |
| 726  | 7690321  | CHAMP ZS 29 COLOR LABEL KIT                                      | 1    |
| 727  | 9120360  | 10-24 HEX NUT WITH STAR LOCK WASHER                              | 2    |
| 728  | 7691051  | SOLUTION LEVER AND CABLE ASSEMBLY                                | 1    |
| 729  | 9120420  | 10-24 X 5/8 ROUND HEAD PHILLIPS MACHINE SCREW                    | 2    |
| 730  | 9121130  | 1/4-20 X 1 1/2 TRUSS HEAD PHILLIPS MACHINE SCREW                 | 1    |
| 731  | 9120880  | 1/4 SPLIT LOCK WASHER  | 1    |
| 732  | 9120420  | 10-24 X 5/8 ROUND HEAD PHILLIPS MACHINE SCREW                    | 1    |
| 733  | 9120930  | 9/32 I.D. X 5/8 O.D. X .051/.080 THICK SAE FLAT WASHER (1/4)     | 1    |
| 734  | 9120900  | 1/4-20 HEX NUT WITH NY-LOCK INSERT                               | 1    |
| 735  | 9120360  | 10-24 HEX NUT WITH STAR LOCK WASHER                              | 1    |
| 736  | 5294201  | NYLON CABLE CLAMP  | 1    |
| 737  | 4890451  | BUSHING, SNAP IN, #SB87511 HEYCO                                 | 1    |
| 738  | 2790761  | BEARING, FLANGE FF-71  | 1    |
| 739  | 9122260  | 3/8-16 X 1 HEX BOLT  | 4    |
| 740  | 9122100  | 3/8 SPLIT LOCK WASHER  | 4    |
| 741  | 9121400  | 3/8 I.D. X 7/8 O.D. X .064/.104 THICK WROUGHT WASHER (5/16)      | 4    |
| 742  | 7690713  | STEERING COLUMN - BASE   | 1    |
| 743  | 7690691  | NYLINER - STEERING TILT  | 1    |
| 744  | 5091701  | RETAINING RING   | 1    |
| 745  | 9120500  | 10-24 X 3/8 TRUSS HEAD PHILLIPS MACHINE SCREW                    | 4    |
| 746  | 7690691  | NYLINER - STEERING TILT  | 1    |
| 747  | 7691141  | PARKING BRAKE SPRING ARM   | 1    |
| 748  | 9120370  | 7/32 I.D. X 1/2 O.D. X .032/.065 THICK SAE FLAT WASHER (#10)     | 1    |
| 749  | 9120320  | #10 SPLIT LOCK WASHER  | 1    |
| 750  | 9120420  | 10-24 X 5/8 ROUND HEAD PHILLIPS MACHINE SCREW                    | 1    |
| 751  | 7690701  | RETRACTABLE PLUNGER - TILT STEERING                              | 1    |
| 752  | 9122680  | 1/2-13 HEX JAM NUT   | 1    |
| 753  | 9122450  | 17/32 I.D. X 1 1/16 O.D. X .074/.121 THICK SAE FLAT WASHER (1/2) | 1    |
| 754  | 4490641  | EXTENSION SPRING   | 3    |
| 755  | 7691151  | BRAKE RETURN SPRING BRACKET                                      | 1    |
| 756  | 9120880  | 1/4 SPLIT LOCK WASHER  | 2    |
| 757  | 9121170  | 1/4-20 X 1/2 HEX BOLT  | 2    |
| 758  | 9120500  | 10-24 X 3/8 TRUSS HEAD PHILLIPS MACHINE SCREW                    | 4    |
| 759  | 7690723  | COVER - BASE   | 1    |
| 760  | 7690321  | CHAMP ZS 29 COLOR LABEL KIT                                      | 1    |
| 761  | 9122140  | 3/8-16 HEX NUT WITH NY-LOCK INSERT                               | 2    |
| 762  | 9121400  | 3/8 I.D. X 7/8 O.D. X .064/.104 THICK WROUGHT WASHER (5/16)      | 2    |
| 763  | 2395761  | CLAMP, TUBE  | 1    |

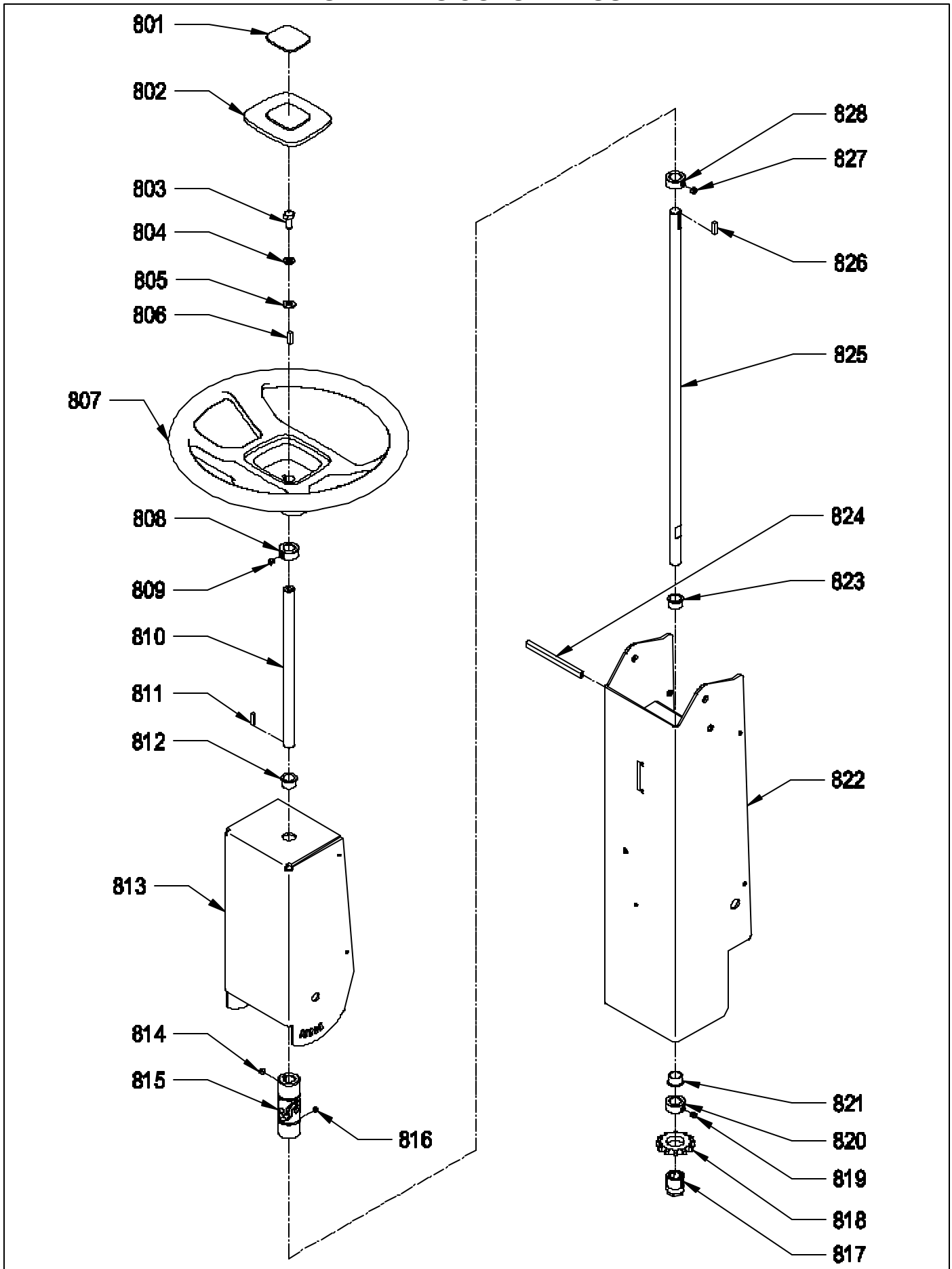


# STEERING COLUMN ASSEMBLY



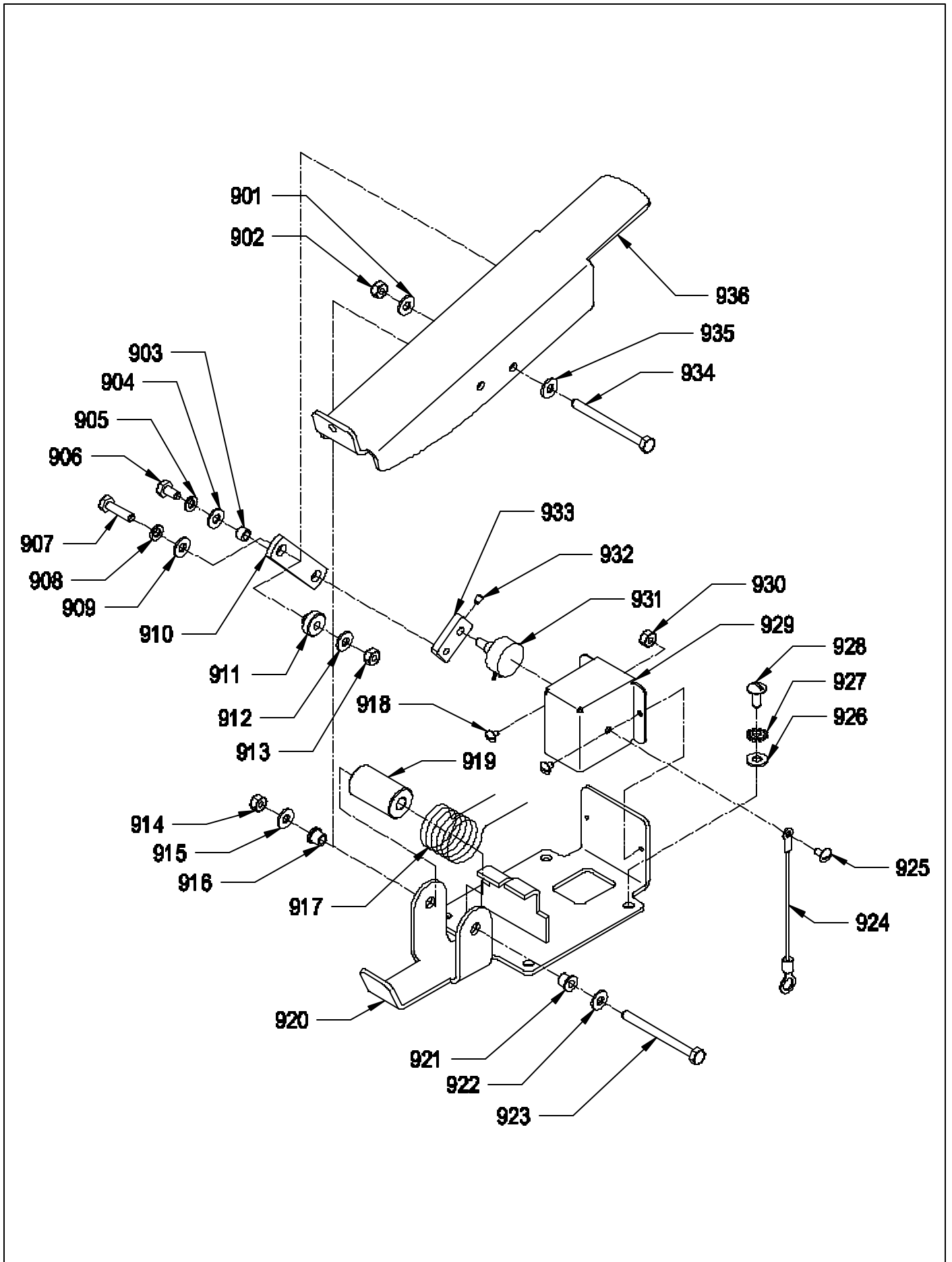
| ITEM | PART NO. | DESCRIPTION  | QTY. |
|------|----------|--|------|
| 801  | 7690931  | DECAL - STEERING WHEEL                                 | 1    |
| 802  | 7690631  | CAP - STEERING WHEEL                                   | 1    |
| 803  | 9121640  | 5/16-18 X 3/4 HEX BOLT                                 | 1    |
| 804  | 9121520  | 5/16 SPLIT LOCK WASHER                                 | 1    |
| 805  | 9121985  | 13/32 I.D. X 1 O.D. X .12 THICK FLAT WASHER (11 GAGE)  | 1    |
| 806  | 9120827  | 3/16 SQUARE X 1 LONG KEY - STEEL                       | 1    |
| 807  | 7690611  | STEERING WHEEL   | 1    |
| 808  | 7690661  | 5/8 SET COLLAR / STEERING SHAFT (INCL. ITEMS 808, 809) | 1    |
| 809  | 9121380  | 5/16-18 X 3/8 SET SCREW - KNURL POINT                  | 1    |
| 810  | 7690921  | UPPER STEERING SHAFT                                   | 1    |
| 811  | 9120827  | 3/16 SQUARE X 1 LONG KEY - STEEL                       | 1    |
| 812  | 2790761  | BEARING, FLANGE FF-71                                  | 1    |
| 813  | 7690733  | UPPER COLUMN   | 1    |
| 814  | 9121380  | 5/16-18 X 3/8 SET SCREW - KNURL POINT                  | 1    |
| 815  | 7690621  | UNIVERSAL JOINT - STEERING (INCL. ITEMS 814, 815, 816) | 1    |
| 816  | 9121380  | 5/16-18 X 3/8 SET SCREW - KNURL POINT                  | 1    |
| 817  | 7691311  | TRAN - TORQUE KEYLESS BUSHING                          | 1    |
| 818  | 7691321  | SPROCKET   | 1    |
| 819  | 9121380  | 5/16-18 X 3/8 SET SCREW - KNURL POINT                  | 1    |
| 820  | 7690661  | 5/8 SET COLLAR / STEERING SHAFT (INCL. ITEMS 819, 820) | 1    |
| 821  | 2790761  | BEARING, FLANGE FF-71                                  | 1    |
| 822  | 7690713  | STEERING COLUMN - BASE                                 | 1    |
| 823  | 2790761  | BEARING, FLANGE FF-71                                  | 1    |
| 824  | 9976000  | VINYL TRIM   | 6"   |
| 825  | 7690911  | LOWER STEERING SHAFT                                   | 1    |
| 826  | 9120827  | 3/16 SQUARE X 1 LONG KEY - STEEL                       | 1    |
| 827  | 9121380  | 5/16-18 X 3/8 SET SCREW - KNURL POINT                  | 1    |
| 828  | 7690661  | 5/8 SET COLLAR / STEERING SHAFT (INCL. ITEMS 826, 827) | 1    |

# INNER STEERING COLUMN ASSEMBLY



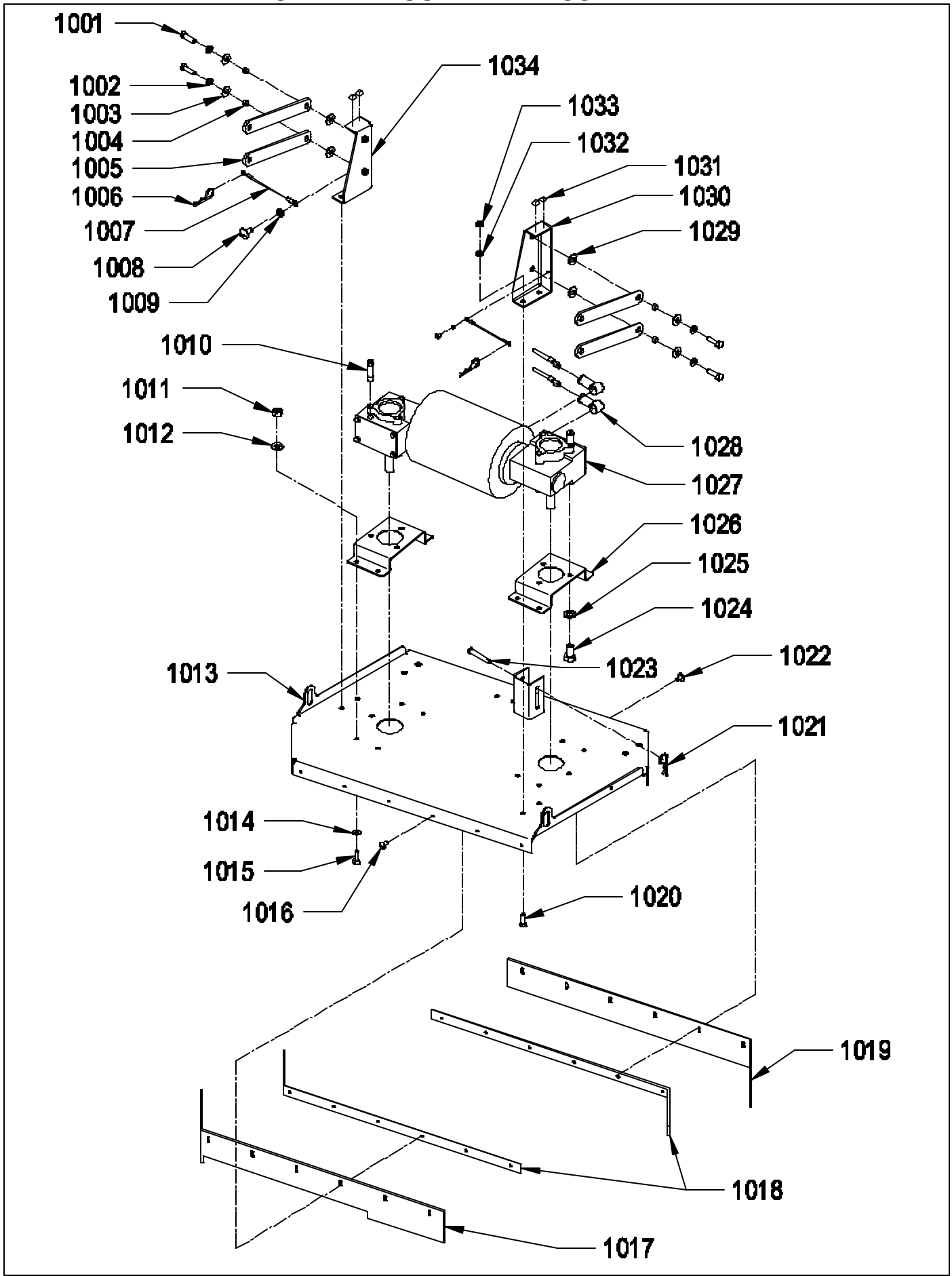
| ITEM | PART NO. | DESCRIPTION  | QTY. |
|------|----------|--|------|
| 901  | 9120930  | 9/32 I.D. X 5/8 O.D. X .051/.080 THICK SAE FLAT WASHER (1/4)   | 1    |
| 902  | 9120900  | 1/4-20 HEX NUT WITH NY-LOK INSERT                              | 1    |
| 903  | 2791281  | BUSHING SPACER   | 1    |
| 904  | 9120930  | 9/32 I.D. X 5/8 O.D. X .051/.080 THICK SAE FLAT WASHER (1/4)   | 1    |
| 905  | 9120880  | 1/4 SPLIT LOCK WASHER  | 1    |
| 906  | 9121210  | 1/4-20 X 5/8 HEX BOLT  | 1    |
| 907  | 9121060  | 1/4-20 X 1 1/4 HEX BOLT  | 1    |
| 908  | 9120880  | 1/4 SPLIT LOCK WASHER  | 1    |
| 909  | 9120930  | 9/32 I.D. X 5/8 O.D. X .051/.080 THICK SAE FLAT WASHER (1/4)   | 1    |
| 910  | 7690891  | ACCELERATOR PEDAL ARM  | 1    |
| 911  | 2691771  | PIN, SKIRT LATCH   | 1    |
| 912  | 9120930  | 9/32 I.D. X 5/8 O.D. X .051/.080 THICK SAE FLAT WASHER (1/4)   | 1    |
| 913  | 9120900  | 1/4-20 HEX NUT WITH NY-LOK INSERT                              | 1    |
| 914  | 9120900  | 1/4-20 HEX NUT WITH NY-LOK INSERT                              | 1    |
| 915  | 9120930  | 9/32 I.D. X 5/8 O.D. X .051/.080 THICK SAE FLAT WASHER (1/4)   | 1    |
| 916  | 7690801  | 1/4 I.D. X 3/8 O.D. X 3/8 LONG FLANGE BEARING - THROTTLE PEDAL | 1    |
| 917  | 7690821  | TORSION SPRING - ACCELERATOR PEDAL                             | 1    |
| 918  | 9120210  | 8-32 X 1/4 TRUSS HEAD PHILLIPS MACHINE SCREW                   | 2    |
| 919  | 7690811  | GUIDE  | 1    |
| 920  | 7690841  | PIVOT BRACKET - ACCELERATOR                                    | 1    |
| 921  | 7690801  | 1/4 I.D. X 3/8 O.D. X 3/8 LONG FLANGE BEARING - THROTTLE PEDAL | 1    |
| 922  | 9120930  | 9/32 I.D. X 5/8 O.D. X .051/.080 THICK SAE FLAT WASHER (1/4)   | 1    |
| 923  | 9121350  | 1/4-20 X 3 HEX HEAD BOLT                                       | 1    |
| 924  | 7691731  | GROUND WIRE  | 1    |
| 925  | 9120500  | 10-24 X 3/8 TRUSS HEAD PHILLIPS MACHINE SCREW                  | 1    |
| 926  | 9120930  | 9/32 I.D. X 5/8 O.D. X .051/.080 THICK SAE FLAT WASHER (1/4)   | 4    |
| 927  | 9120970  | 1/4 EXTERNAL STAR LOCK WASHER                                  | 4    |
| 928  | 9121000  | 1/4-20 X 5/8 TRUSS HEAD PHILLIPS MACHINE SCREW                 | 1    |
| 929  | 7690851  | COVER - POTENTIOMETER  | 1    |
| 930  | 9120350  | 10-24 HEX NUT WITH NY-LOK INSERT                               | 1    |
| 931  | 2694131  | POTENTIOMETER - CURTIS SPEED CONTROL                           | 1    |
| 932  | 9120225  | 8-32 X 1/4 SET SCREW - KNURL POINT - ALLOY                     | 1    |
| 933  | 7690881  | POTENTIOMETER ARM  | 1    |
| 934  | 9121350  | 1/4-20 X 3 HEX HEAD BOLT                                       | 1    |
| 935  | 9120930  | 9/32 I.D. X 5/8 O.D. X .051/.080 THICK SAE FLAT WASHER (1/4)   | 1    |
| 936  | 7690833  | PEDAL - ACCELERATOR  | 1    |

# ACCELERATOR PEDAL ASSEMBLY



| ITEM | PART NO. | DESCRIPTION   | QTY. |
|------|----------|---|------|
| 1001 | 9122300  | 3/8-16 X 1 1/4 HEX BOLT                                     | 4    |
| 1002 | 9122100  | 3/8 SPLIT LOCK WASHER                                       | 4    |
| 1003 | 9121400  | 3/8 I.D. X 7/8 O.D. X .064/.104 THICK WROUGHT WASHER (5/16) | 4    |
| 1004 | 2691181  | PIVOT SPACER, STABILIZER BAR                                | 8    |
| 1005 | 2691171  | STABILIZER BAR  | 4    |
| 1006 | 7690491  | #6 HAIR COTTER PIN  | 2    |
| 1007 | 7691331  | LANYARD   | 2    |
| 1008 | 9120380  | 10-24 X 3/8 ROUND HEAD PHILLIPS MACHINE SCREW               | 2    |
| 1009 | 9120320  | #10 SPLIT LOCK WASHER                                       | 2    |
| 1010 | 7691771  | BREATHER ASSEMBLY   | 2    |
| 1011 | 9121450  | 5/16-18 HEX NUT WITH NY-LOK INSERT                          | 8    |
| 1012 | 9120940  | 5/16 I.D. X 3/4 O.D. X .051/.080 THICK WROUGHT WASHER (1/4) | 8    |
| 1013 | 7690403  | BRUSH MOTOR PLATE   | 1    |
| 1014 | 9120940  | 5/16 I.D. X 3/4 O.D. X .051/.080 THICK WROUGHT WASHER (1/4) | 8    |
| 1015 | 9121680  | 5/16-18 X 1 HEX BOLT  | 8    |
| 1016 | 9120510  | 10-24 X 1/2 TRUSS HEAD PHILLIPS MACHINE SCREW               | 8    |
| 1017 | 7690421  | REAR SKIRT RUBBER   | 1    |
| 1018 | 7690431  | SKIRT RUBBER SECURING STRAP                                 | 2    |
| 1019 | 7690411  | FRONT SKIRT RUBBER  | 1    |
| 1020 | 9122260  | 3/8-16 X 1 HEX BOLT   | 4    |
| 1021 | 7690491  | #6 HAIR COTTER PIN  | 1    |
| 1022 | 9120510  | 10-24 X 1/2 TRUSS HEAD PHILLIPS MACHINE SCREW               | 8    |
| 1023 | 7690311  | 3/8" DIAMETER X 2.505" LONG CLEVIS PIN                      | 1    |
| 1024 | 9122220  | 3/8-16 X 3/4 HEX BOLT                                       | 6    |
| 1025 | 9122100  | 3/8 SPLIT LOCK WASHER                                       | 6    |
| 1026 | 7690441  | BRUSH MOTOR MOUNT   | 2    |
| 1027 | 7690091  | BRUSH MOTOR   | 1    |
|      | 7691841  | BRUSH MOTOR GEAR BOX  | 2    |
|      | 7692041  | REPLACEMENT CARBON BRUSH - BRUSH MOTOR                      | 4    |
| 1028 | 6492051  | STUD TERMINAL BOOT - RUBBER                                 | 2    |
| 1029 | 9121400  | 3/8 I.D. X 7/8 O.D. X .064/.104 THICK WROUGHT WASHER (5/16) | 4    |
| 1030 | 7690451  | BRUSH PLATE MOUNT BRACKET - RIGHT HAND                      | 1    |
| 1031 | 2392261  | BUMPER BUTTON   | 4    |
| 1032 | 9121400  | 3/8 I.D. X 7/8 O.D. X .064/.104 THICK WROUGHT WASHER (5/16) | 4    |
| 1033 | 9122140  | 3/8-16 HEX NUT WITH NY-LOK INSERT                           | 4    |
| 1034 | 7690461  | BRUSH PLATE MOUNT BRACKET - LEFT HAND                       | 1    |

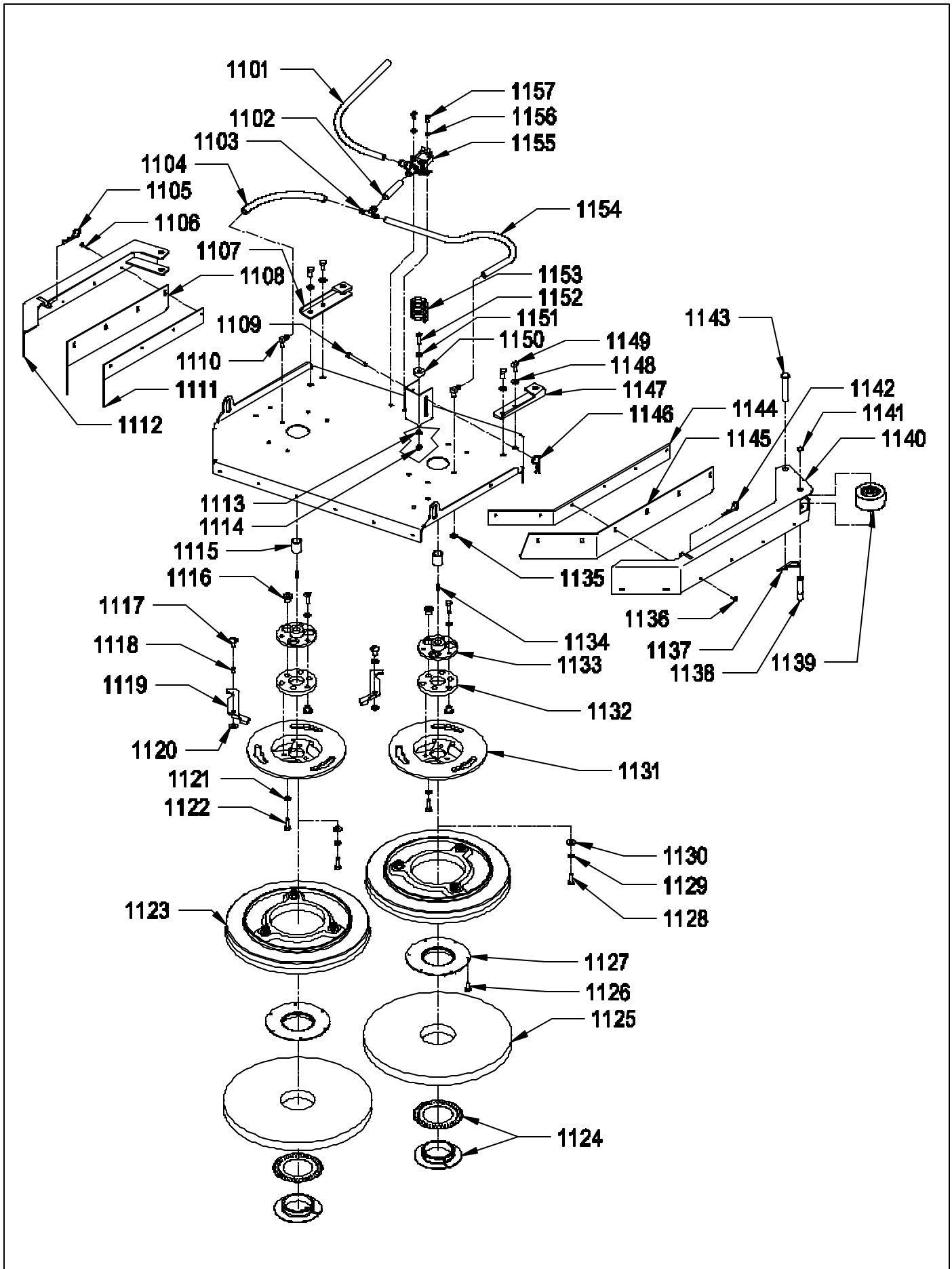
# UPPER BRUSH DRIVE ASSEMBLY



| ITEM | PART NO. | DESCRIPTION   | QTY. |
|------|----------|---|------|
| 1101 | 8791180  | HOSE - VINYL 1/2" I.D. X 3/4" O.D.                                    | 18"  |
| 1102 | 8791180  | HOSE - VINYL 1/2" I.D. X 3/4" O.D.                                    | 2"   |
| 1103 | 7691371  | TEE - 3/8 X 3/8 X 1/2   | 1    |
| 1104 | 8791070  | HOSE - VINYL 3/8" I.D. X 1/2" O.D.                                    | 12"  |
| 1105 | 7690491  | #6 HAIR COTTER PIN  | 1    |
| 1106 | 9120510  | 10-24 X 1/2 TRUSS HEAD PHILLIPS MACHINE SCREW                         | 6    |
| 1107 | 7690481  | SKIRT MOUNT BRACKET - LEFT HAND                                       | 1    |
| 1108 | 7690271  | SIDE SKIRT BLADE - LEFT HAND  | 1    |
| 1109 | 7690311  | 3/8" DIAMETER X 2.505" LONG CLEVIS PIN                                | 1    |
| 1110 | 5092632  | 90 DEGREE SOLUTION FEED TUBE  | 2    |
| 1111 | 7690281  | SIDE SKIRT STRAP - LEFT HAND  | 1    |
| 1112 | 7690263  | LEFT SIDE SKIRT   | 1    |
| 1113 | 9120930  | 9/32 I.D. X 5/8 O.D. X .051/.080 THICK SAE FLAT WASHER (1/4)          | 1    |
| 1114 | 9120900  | 1/4-20 HEX NUT WITH NY-LOK INSERT                                     | 1    |
| 1115 | 7690551  | DRIVE CASTING SPACER  | 2    |
| 1116 | 2698081  | DRIVE LUG   | 12   |
| 1117 | 9121090  | 1/4-20 X 1/2 TRUSS HEAD PHILLIPS MACHINE SCREW                        | 2    |
| 1118 | 2791281  | BUSHING SPACER  | 2    |
| 1119 | 2790211  | DRIVE PLATE LATCH   | 2    |
| 1120 | 9122120  | 3/8 I.D. X 5/8 O.D. X .031 THICK WAVE SPRING WASHER                   | 2    |
| 1121 | 9121520  | 5/16 SPLIT LOCK WASHER  | 12   |
| 1122 | 9121680  | 5/16-18 X 1 HEX BOLT  | 12   |
| 1123 | 7691491  | PAD DRIVER 15" (INCLUDES ITEMS 1123 AND 1124)                         | 2    |
|      | 7691501  | BASSINE BRUSH 14" POLY BLOCK  | 2    |
|      | 7691511  | NYLON BRUSH 14" POLY BLOCK  | 2    |
|      | 7691521  | STRATAGRIT BRUSH 14" POLY BLOCK                                       | 2    |
| 1124 | 2795231  | SPLIT RETAINER - PAD HOLDER RING                                      | 2    |
|      | 5990721  | SPRING CLIP PAD HOLDER SET  | 2    |
| 1125 | —        | PAD - SEE OPTIONS PAGE FOR TYPES                                      | 2    |
| 1126 | 9120790  | 10 X 5/8 PAN HEAD PHILLIPS SHEET METAL SCREW                          | 12   |
| 1127 | 2795241  | PAD HOLDER ASSEMBLY   | 2    |
| 1128 | 9121680  | 5/16-18 X 1 HEX BOLT  | 2    |
| 1129 | 9121520  | 5/16 SPLIT LOCK WASHER  | 2    |
| 1130 | 9121985  | 13/32 I.D. X 1 O.D. X .12 THICK FLAT WASHER (11 GAGE)                 | 2    |
| 1131 | 2698072  | DRIVE CASTING   | 2    |
|      | 7691449  | LEFT DRIVE CASTING ASSEMBLY (INCL. ITEMS 1116 TO 1122, 1131 TO 1133)  | 1    |
|      | 7691459  | RIGHT DRIVE CASTING ASSEMBLY (INCL. ITEMS 1116 TO 1122, 1131 TO 1133) | 1    |
| 1132 | 2698061  | RUBBER MOUNT  | 2    |
| 1133 | 7691382  | DRIVE HUB   | 2    |
| 1134 | 9120827  | 3/6" SQUARE X 1" LONG KEY   | 2    |
| 1135 | 5092641  | RETAINING RING  | 2    |
| 1136 | 9120510  | 10-24 X 1/2 TRUSS HEAD PHILLIPS MACHINE SCREW                         | 6    |
| 1137 | 7690491  | #6 HAIR COTTER PIN  | 2    |
| 1138 | 7690941  | BUMPER WHEEL AXLE   | 1    |
| 1139 | 2790281  | BUMPER WHEEL  | 1    |
| 1140 | 7690233  | RIGHT SIDE SKIRT  | 1    |
| 1141 | 5091701  | RETAINING RING  | 1    |
| 1142 | 7690491  | #6 HAIR COTTER PIN  | 1    |
| 1143 | 9122685  | 1/2 X 2 7/8 CLEVIS PIN  | 2    |
| 1144 | 7690251  | SIDE SKIRT STRAP - RIGHT HAND   | 1    |
| 1145 | 7690241  | SIDE SKIRT BLADE - RIGHT HAND   | 1    |
| 1146 | 7690491  | #6 HAIR COTTER PIN  | 1    |
| 1147 | 7690471  | SKIRT MOUNT BRACKET - RIGHT HAND                                      | 1    |
| 1148 | 9122100  | 3/8 SPLIT LOCK WASHER   | 4    |
| 1149 | 9122220  | 3/8-16 X 3/4 HEX BOLT   | 4    |
| 1150 | 7691361  | ACTUATOR SPRING GUIDE   | 1    |
| 1151 | 9120930  | 9/32 I.D. X 5/8 O.D. X .051/.080 THICK SAE FLAT WASHER (1/4)          | 1    |
| 1152 | 9121270  | 1/4-20 X 1 HEX BOLT   | 1    |
| 1153 | 7691171  | COMPRESSION SPRING  | 1    |
| 1154 | 8791070  | HOSE - VINYL 3/8" I.D. X 1/2" O.D.                                    | 18"  |
| 1155 | 7690521  | SOLUTION SOLENOID VALVE   | 1    |
| 1156 | 9120880  | 1/4 SPLIT LOCK WASHER   | 2    |
| 1157 | 9121170  | 1/4-20 X 1/2 HEX BOLT   | 2    |

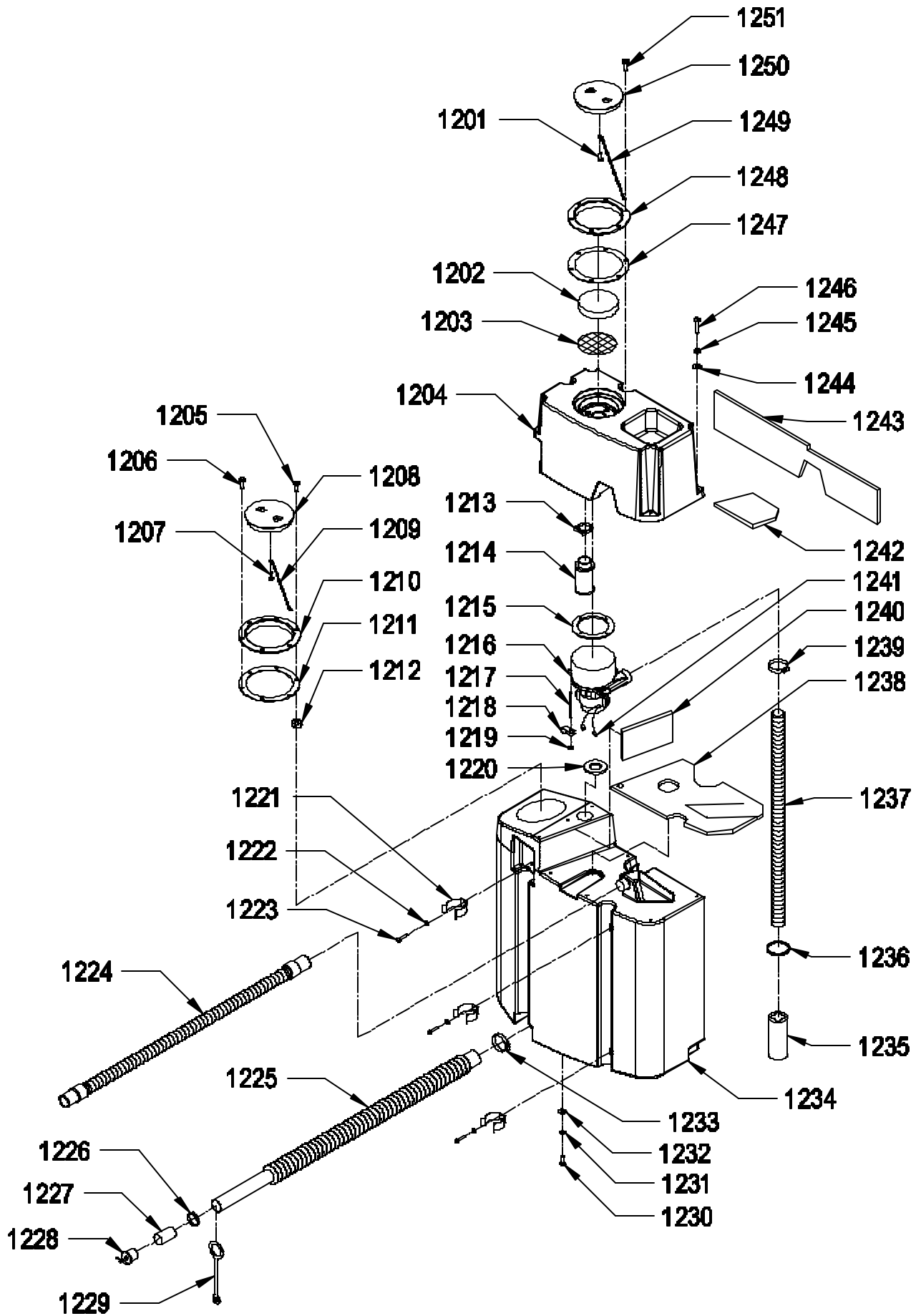


# LOWER BRUSH DRIVE ASSEMBLY



| ITEM | PART NO. | DESCRIPTION  | QTY. |
|------|----------|--|------|
| 1201 | 9120205  | #8 X 1/2 PAN HEAD PHILLIPS SHEET METAL SCREW                 | 1    |
| 1202 | 7690791  | VAC MOTOR FILTER   | 1    |
| 1203 | 7690781  | VAC MOTOR SCREEN   | 1    |
| 1204 | 7693861  | VAC MOTOR COVER  | 1    |
| 1205 | 9120450  | 10-24 X 1 ROUND HEAD PHILLIPS MACHINE SCREW                  | 1    |
| 1206 | 9120790  | 10 X 5/8 PAN HEAD PHILLIPS SHEET METAL SCREW                 | 5    |
| 1207 | 9120205  | #8 X 1/2 PAN HEAD PHILLIPS SHEET METAL SCREW                 | 1    |
| 1208 | 2690911  | LID - CLEAR, RECOVERY TANK                                   | 1    |
| 1209 | 2690931  | LID CHAIN, RECOVERY TANK                                     | 1    |
| 1210 | 2690921  | BLACK RING, RECOVERY TANK                                    | 1    |
|      | 2690881  | RECOVERY TANK LID ASSEMBLY (INCL. ITEMS 1207 TO 1210)        | 1    |
| 1211 | 2690891  | RECOVERY TANK LID GASKET                                     | 1    |
| 1212 | 9120350  | 10-24 HEX NUT WITH NY-LOK INSERT                             | 1    |
| 1213 | 4894081  | NYLON HOSE CLAMP - 1 19/32" TO 1 13/16" DIAMETER             | 1    |
| 1214 | 2391541  | FLOAT SCREEN ASSEMBLY  | 1    |
| 1215 | 2490561  | GASKET - VAC MOTOR   | 1    |
| 1216 | 2690551  | VAC MOTOR, 36 VOLT   | 1    |
|      | 2792571  | REPLACEMENT CARBON BRUSH                                     | 2    |
| 1217 | 9121363  | 1/4-20 X 4 1/2" FULLY THREADED STUD                          | 3    |
| 1218 | 4890851  | CABLE CLAMP  | 1    |
|      | 9120930  | 9/32 I.D. X 5/8 O.D. X .051/0080 THICK SAE FLAT WASHER (1/4) | 2    |
| 1219 | 9121360  | 1/4-20 HEX NUT WITH NY-LOK INSERT                            | 3    |
| 1220 | 7691351  | GASKET - 1 1/2" I.D. X 3" O.D.                               | 1    |
| 1221 | 7691921  | SPRING CLIP - HOSE   | 3    |
| 1222 | 9120030  | #6 SPLIT LOCK WASHER   | 6    |
| 1223 | 9120070  | 6-32 X 3/8 ROUND HEAD PHILLIPS MACHINE SCREW                 | 6    |
| 1224 | 7690951  | VACUUM HOSE WITH CUFFS                                       | 1    |
| 1225 | 2391671  | DRAIN HOSE, CRUSHPROOF                                       | 1    |
| 1226 | 2392161  | TUBE HOSE CLAMP - CRIMP TYPE                                 | 1    |
| 1227 | 2391661  | HOSE TUBE  | 1    |
| 1228 | 2795621  | DRAIN PLUG   | 1    |
| 1229 | 2791881  | PLUG STRAP   | 1    |
| 1230 | 9122220  | 3/8-16 X 3/4 HEX HEAD BOLT                                   | 2    |
| 1231 | 9122100  | 3/8 SPLIT LOCK WASHER  | 2    |
| 1232 | 9121400  | 3/8 I.D. X 7/8 O.D. X .064/.104 THICK WROUGHT WASHER (5/16)  | 2    |
| 1233 | 4495441  | HOSE CLAMP - 1 9/16" TO 2 1/4" DIAMETER                      | 1    |
| 1234 | 7690021  | RECOVERY TANK  | 1    |
| 1235 | 7691261  | EXHAUST MUFFLER TUBE   | 1    |
| 1236 | 9123000  | 1/8 X 11" WIRE TIE   | 1    |
| 1237 | 7693901  | FLEXIBLE VACUUM MOTOR DISCHARGE HOSE                         | 1    |
| 1238 | 7693841  | VAC COVER INSULATION - BOTTOM                                | 1    |
| 1239 | 4495441  | HOSE CLAMP - 1 9/16" TO 2 1/4" DIAMETER                      | 1    |
| 1240 | 7693871  | VAC COVER INSULATION - SIDE - SMALL                          | 1    |
| 1241 | 2690581  | 1/4 SPADE MALE TERMINAL 10 X 12 YELLOW                       | 2    |
| 1242 | 7693891  | VAC COVER INSULATION - TOP                                   | 1    |
| 1243 | 7693881  | VAC COVER INSULATION - SIDE - LARGE                          | 1    |
| 1244 | 9120933  | .250 I.D. X .875 O.D. X .075 THICK FLAT WASHER               | 6    |
| 1245 | 9120330  | #10 EXTERNAL STAR LOCK WASHER                                | 6    |
| 1246 | 9120535  | 10-24 X 1 1/2 TRUSS HEAD PHILLIPS MACHINE SCREW              | 6    |
| 1247 | 2690891  | RECOVERY TANK LID GASKET                                     | 1    |
| 1248 | 2690921  | BLACK RING, RECOVERY TANK                                    | 1    |
|      | 2690881  | RECOVERY TANK LID ASSEMBLY (INCL. ITEMS 1201, 1247 TO 1249)  | 1    |
| 1249 | 2690931  | LID CHAIN, RECOVERY TANK                                     | 1    |
| 1250 | 2690911  | LID - CLEAR, RECOVERY TANK                                   | 1    |
| 1251 | 9120790  | 10 X 5/8 PAN HEAD PHILLIPS SHEET METAL SCREW                 | 7    |

# RECOVERY TANK



## ACCESSORIES

| PART NO. | DESCRIPTION              |
|----------|--------------------------|
| 7691829  | OVERHEAD LIGHT KIT       |
| 7691839  | HEADLIGHT KIT            |
| 7692141  | AUTO FILL BATTERY SYSTEM |
| 7692181  | LOW WATER BATTERY ALARM  |



|         |                           |
|---------|---------------------------|
| 2392129 | WET PICKUP KIT, INCLUDES: |
| 2291211 | 5" CONNECTOR, ALUMINUM    |
| 2391231 | VACUUM HOSE, 7 FOOT       |
| 5790211 | 17" SQUEEGEE, PLASTIC     |
| 5790331 | STEEL WAND, 2 PIECE       |



|         |                                 |
|---------|---------------------------------|
| 2392179 | BRUSH / SQUEEGEE KIT, INCLUDES: |
| 2291215 | 5" CONNECTOR, ALUMINUM          |
| 2290209 | STEEL WAND, 1 PIECE             |
| 2391231 | VACUUM HOSE, 7 FOOT             |
| 3097849 | 14" BRUSH / SQUEEGEE TOOL       |



|         |                                       |
|---------|---------------------------------------|
| 2795231 | SPLIT RETAINER - PAD HOLDER RING ONLY |
| 2795241 | PAD HOLDER ASSEMBLY                   |
| 5990721 | SPRING CLIP PAD HOLDER SET            |



|         |   |
|---------|---|
| 7691491 | PAD DRIVER 15"<br>(INCL. PAD HOLDER AND SPRING CLIP PAD HOLDER) |
|---------|---|



|         |                      |
|---------|----------------------|
| 7691501 | 15" SCRUB GRIT BRUSH |
| 7691511 | 15" NYLONBRUSH       |
| 7691521 | 15" STRATAGRIT BRUSH |



|         |                                   |
|---------|-----------------------------------|
| 7991501 | 15" BLACK STRIP PAD - CASE 5      |
| 7991521 | 15" GREEN SCRUB PAD - CASE 5      |
| 7991541 | 15" GRAY AUTO SCRUB PAD - CASE 5  |
| 7991551 | 15" LITE BLUE FINISH PAD - CASE 5 |



### NSS ® Enterprises, Inc.

3115 Frenchmens Road, Toledo, Ohio 43607  
 PHONE (419) 531-2121 FAX (419) 531-3761  
**NSS ® Enterprises, Inc. European Distribution Centre**  
 Unit II, Pinfold Trading Estate \* 55 Nottingham Road  
 STAPLEFORD, NOTTINGHAM NG9 8AD ENGLAND U.K.  
 PHONE: (44) 0115 939 1568 \* FAX: (44) 0115 949 0615