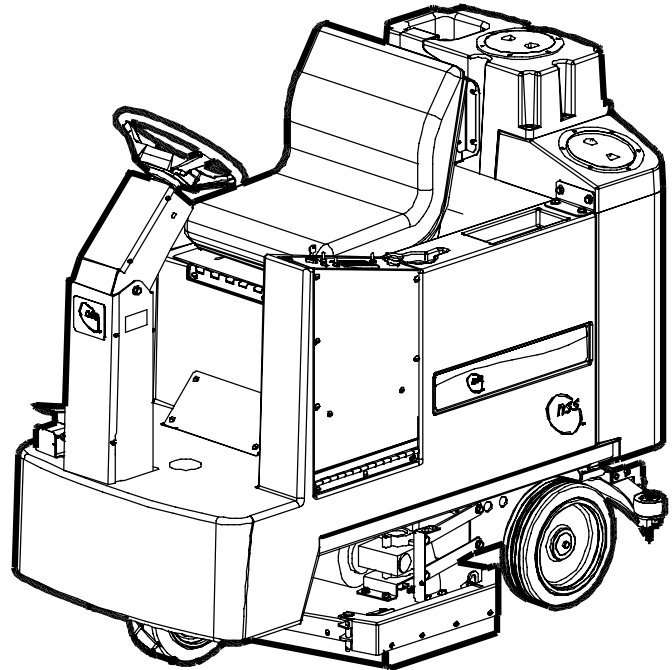
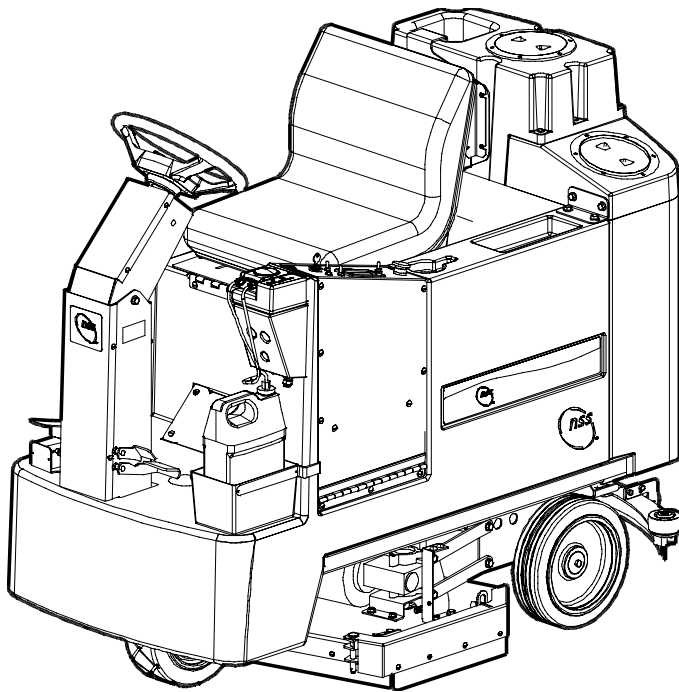


PARTS LIST

CHAMP 2929



WITHOUT SIDEKICK CHEMICAL DISPENSOR

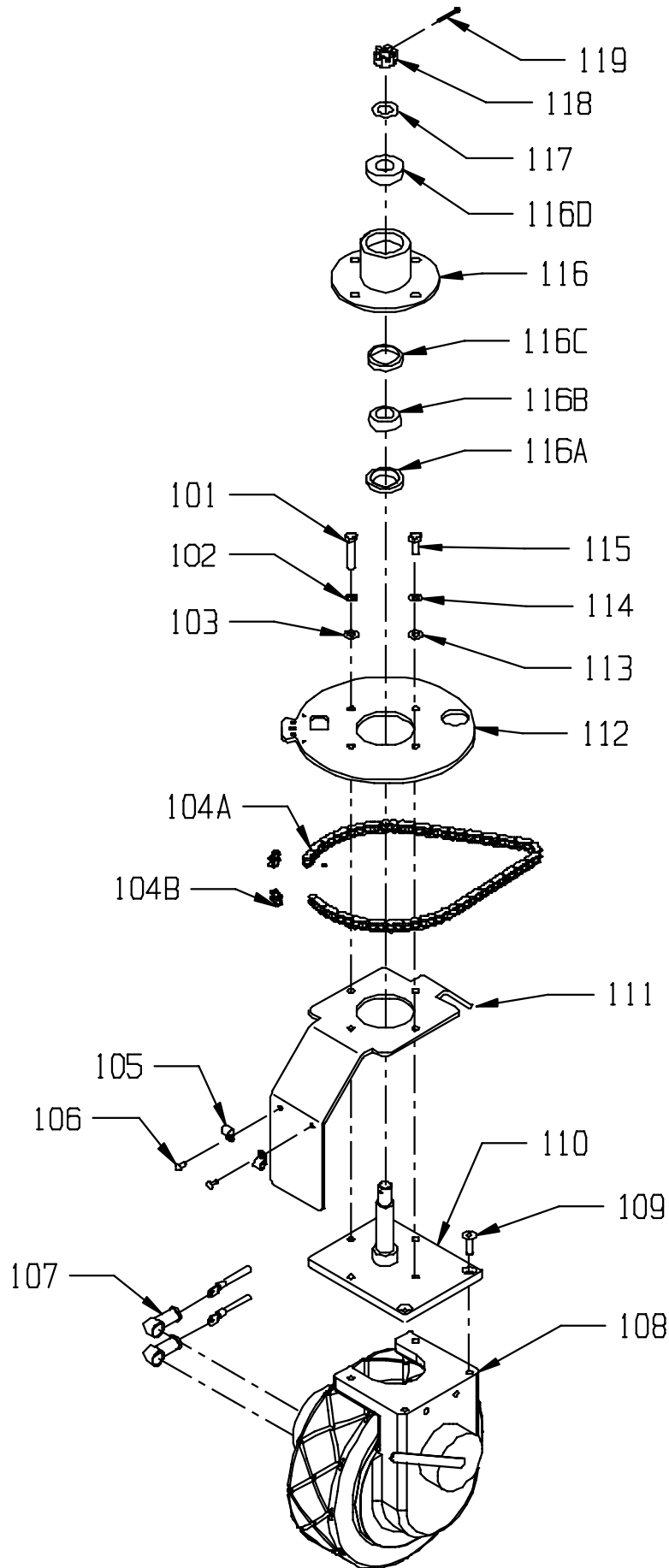


**WITH SIDEKICK CHEMICAL
DISPENSOR**



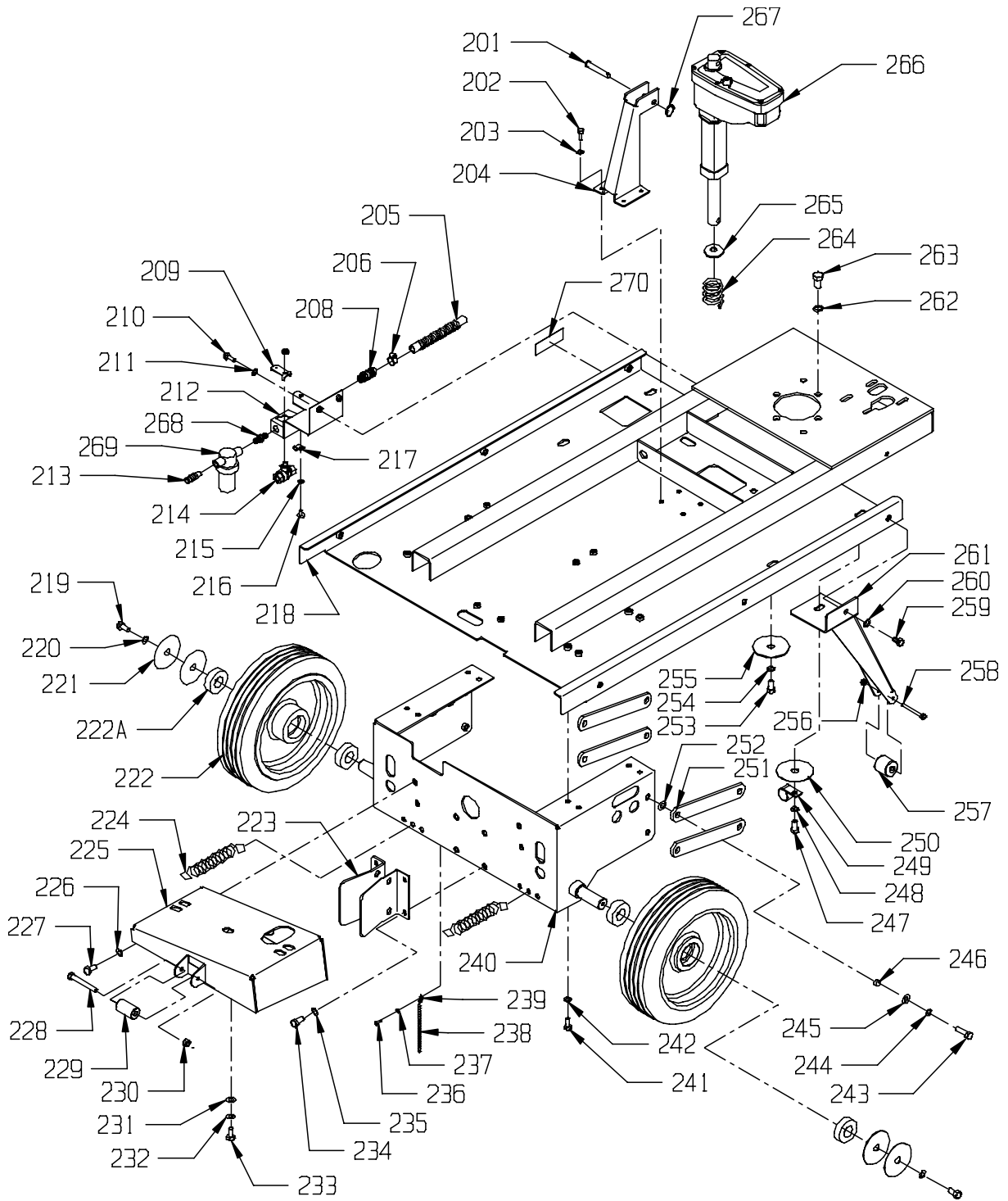
<u>ITEM</u>	<u>PART NO.</u>	<u>DESCRIPTION</u>	<u>QTY.</u>
101	9122343	3/8-16 X 2 HEX HEAD FULL THREADED BOLT - PACK OF 1	3
102	9122100	3/8 SPLIT LOCK WASHER - PACK OF 10	3
103	9121400	3/8 I.D. X 7/8 O.D. X .064/.104 THICK WROUGHT WASHER (5/16)-PK-10	3
104	7691259	CHAIN KIT - CHAIN WITH TWO MASTERS - INCLUDES:	1
	2790341	ROLLER CHAIN 67 LINKS WITHOUT MASTER	1
104A	2795211	LINK - MASTER #40 CHAIN NICKEL	2
105	5294201	NYLON CABLE CLAMP	2
106	9120510	10-24 X 1/2 TRUSS HEAD PHILLIPS MACHINE SCREW - PACK OF 10	2
107	6492051	STUD TERMINAL BOOT - RUBBER	2
108	7692901	12 X 4 DRIVE WHEEL - INCLUDES:	1
	7692061	WHEEL / TIRE	1
	7692439	WHEEL BOLTS	10
	7692121	DRIVE MOTOR	1
	7692051	DRIVE MOTOR CARBON BRUSH KIT	1
109	9122323	3/8-16 X 1 1/4 FLAT HEAD SOCKET CAP SCREW	2
110	7690581	STEERING YOKE	1
111	7690563	FENDER / TOW HOOK / SPACER	1
112	7690571	DRIVEN SPROCKET - STEERING	1
113	9121400	3/8 I.D. X 7/8 O.D. X .064/.104 THICK WROUGHT WASHER (5/16)-PK-10	1
114	9122100	3/8 SPLIT LOCK WASHER - PACK OF 10	1
115	9122300	3/8-16 X 1 1/4 HEX BOLT - PACK OF 2	1
116	7690509	BEARING BLOCK - STEERING ASSEMBLY - INCLUDES:	1
116A	7690591	SEAL - STEERING	1
116B	7690671	BEARING CONE - STEERING BOTTOM	1
116C	7690681	BEARING CUP - STEERING BOTTOM	1
116D	2790311	BEARING, BOTTOM END	1
117	9123105	3/4 I.D. X 1 1/4 O.D. X .071/.082 THICK FLAT WASHER (11 GAGE)-PK-5	1
118	9123100	3/4-16 HEX SLOTTED NUT - STEEL - PACK OF 1	1
119	9120314	1/8 X 1 1/4 COTTER PIN - STEEL - PACK OF 5	1

DRIVE WHEEL ASSEMBLY



ITEM	PART NO.	DESCRIPTION	QTY.
201	7690311	3/8" DIAMETER X 2.505 LONG CLEVIS PIN	1
202	9121210	1/4-20 X 5/8 HEX BOLT - PACK OF 10	4
203	9120880	1/4 SPLIT LOCK WASHER - PACK OF 10	4
204	7690301	BRUSH ACTUATOR BRACKET	1
205	7693781	6.5 X 3/4 CONVOLUTED HOSE	1
206	7693811	HOSE CLAMP, 9/16" TO 1 1/16"	1
208	7695161	3/4 HOSE BARB X 1/4 MPT FITTING	1
209	7691041	VALVE LEVER	1
210	9121600	5/16-18 X 5/8 HEX BOLT - PACK OF 5	2
211	9121520	5/16 SPLIT LOCK WASHER - PACK OF 10	2
212	7691031	SOLUTION VALVE HANGER	1
213	2495161	1/2 HOSE BARB X 1/4 MPT	1
214	2397961	SOLUTION VALVE	1
215	9120370	7/32 I.D. X 1/2 O.D. X .032/.065 THICK SAE FLAT WASHER (#10)-PK-10	1
216	9120510	10-24 X 1/2 TRUSS HEAD PHILLIPS MACHINE SCREW - PACK OF 10	1
217	7691061	CONDUIT CLAMP	1
218	7693931	MAIN FRAME	1
219	9122220	3/8-16 X 3/4 HEX BOLT - PACK OF 5	2
220	9122100	3/8 SPLIT LOCK WASHER - PACK OF 10	2
221	9122110	3/8 X 1 1/2 FENDER WASHER - PACK OF 10	4
222	7690081	12 X 3 WHEEL - ASSEMBLY - INCLUDES:	2
222A	2790311	BEARING, BOTTOM END	2
223	7690211	SQUEEGEE MOUNT / STOP BRACKET	2
224	7690291	EXTENSION SPRING, SQUEEGEE	2
225	7694013	MOUNTING BRACKET - LOWER RECOVERY TANK	1
226	9122100	3/8 SPLIT LOCK WASHER - PACK OF 10	4
227	9122220	3/8-16 X 3/4 HEX BOLT - PACK OF 5	4
228	9122350	3/8-16 X 3 HEX BOLT - PACK OF 1	1
229	7690811	GUIDE	1
230	9122140	3/8-16 HEX NUT WITH NY-LOK INSERT - PACK OF 5	1
231	9121400	3/8 I.D. X 7/8 O.D. X .064/.104 THICK WROUGHT WASHER (5/16)-PK-10	2
232	9122100	3/8 SPLIT LOCK WASHER - PACK OF 10	2
233	9122220	3/8-16 X 3/4 HEX BOLT - PACK OF 5	2
234	9122220	3/8-16 X 3/4 HEX BOLT - PACK OF 5	4
235	9122100	3/8 SPLIT LOCK WASHER - PACK OF 10	4
236	9120380	10-24 X 3/8 ROUND HEAD PHILLIPS MACHINE SCREW - PACK OF 10	1
237	9120320	#10 SPLIT LOCK WASHER - PACK OF 10	1
238	6491860	ROUND BEAD CHAIN (CUT TO 6")	.5
239	6491871	END COUPLING - ROUND BEAD CHAIN	1
240	7690173	AXLE BRACKET	1
241	9122220	3/8-16 X 3/4 HEX BOLT - PACK OF 5	8
242	9122100	3/8 SPLIT LOCK WASHER - PACK OF 10	8
243	9122300	3/8-16 X 1 1/4 HEX BOLT - PACK OF 2	8
244	9122100	3/8 SPLIT LOCK WASHER - PACK OF 10	8
245	9121400	3/8 I.D. X 7/8 O.D. X .064/.104 THICK WROUGHT WASHER (5/16)-PK-10	8
246	2691181	PIVOT SPACER, STABILIZER BAR	8
247	9122260	3/8-16 X 1 HEX BOLT - PACK OF 2	1
248	9122100	3/8 SPLIT LOCK WASHER - PACK OF 10	1
249	2395761	CLAMP, TUBE	1
250	9122110	3/8 X 1 1/2 FENDER WASHER - PACK OF 10	1
251	2691171	STABILIZER BAR	4
252	9121400	3/8 I.D. X 7/8 O.D. X .064/.104 THICK WROUGHT WASHER (5/16)-PK-10	8
253	9122220	3/8-16 X 3/4 HEX BOLT - PACK OF 5	3
254	9122100	3/8 SPLIT LOCK WASHER - PACK OF 10	3
255	9122110	3/8 X 1 1/2 FENDER WASHER - PACK OF 10	3
256	9120900	1/4-20 HEX NUT WITH NYLOK INSERT - PACK OF 10	2
257	1390321	ROLLER	2
258	9121287	1/4-20 X 2 1/2 HEX BOLT - PACK OF 2	2
259	9122220	3/8-16 X 3/4 HEX BOLT - PACK OF 5	2
260	9122100	3/8 SPLIT LOCK WASHER - PACK OF 10	2
261	7692363	LEFT ROLLER LEG	1
261	7692353	RIGHT ROLLER LEG	1
262	9122420	1/2 SPLIT LOCK WASHER - PACK OF 5	4
263	9122500	1/2-13 X 7/8 HEX BOLT - PACK OF 2	4
264	7691171	COMPRESSION SPRING	1

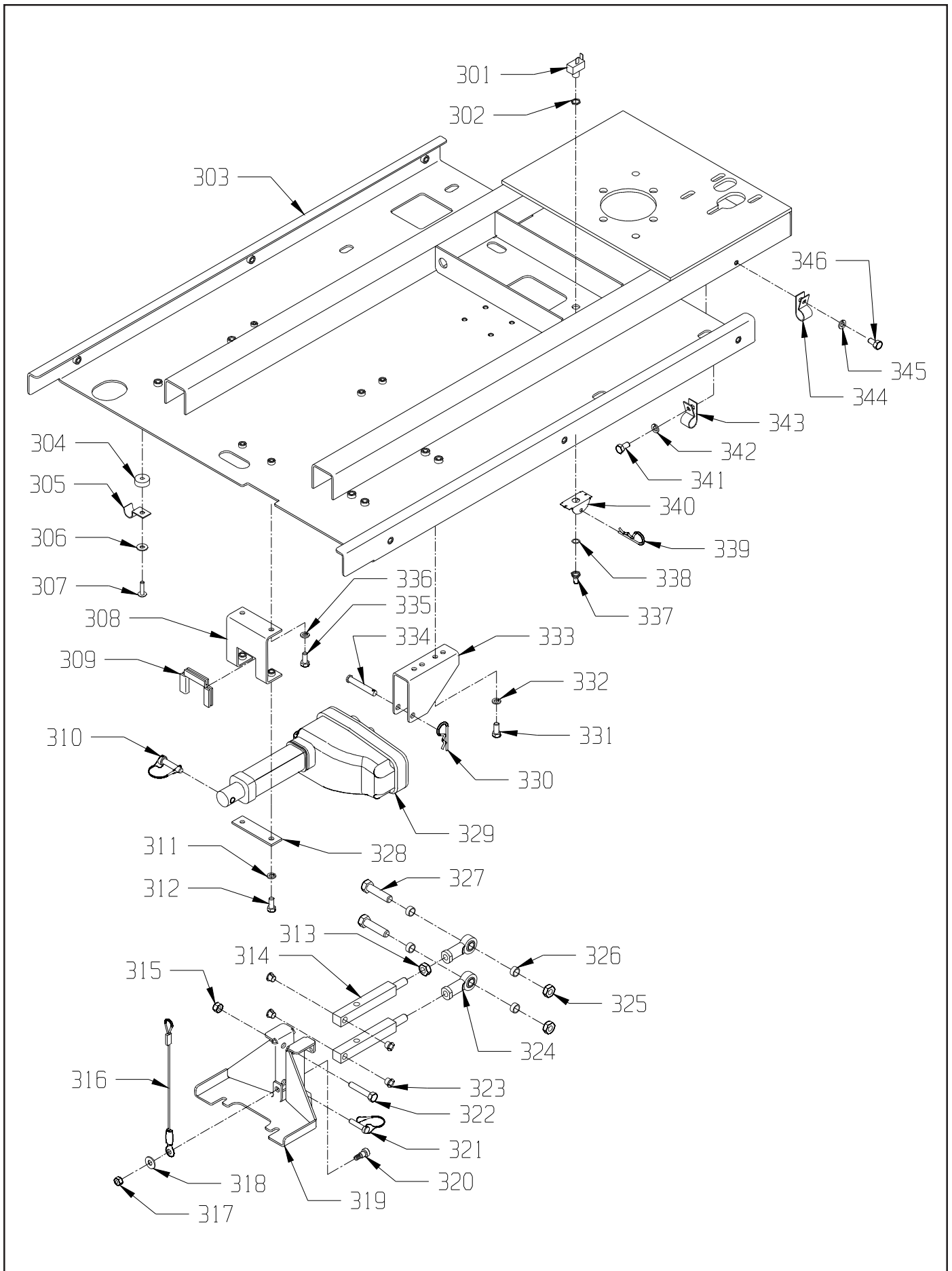
CHASSIS ASSEMBLY



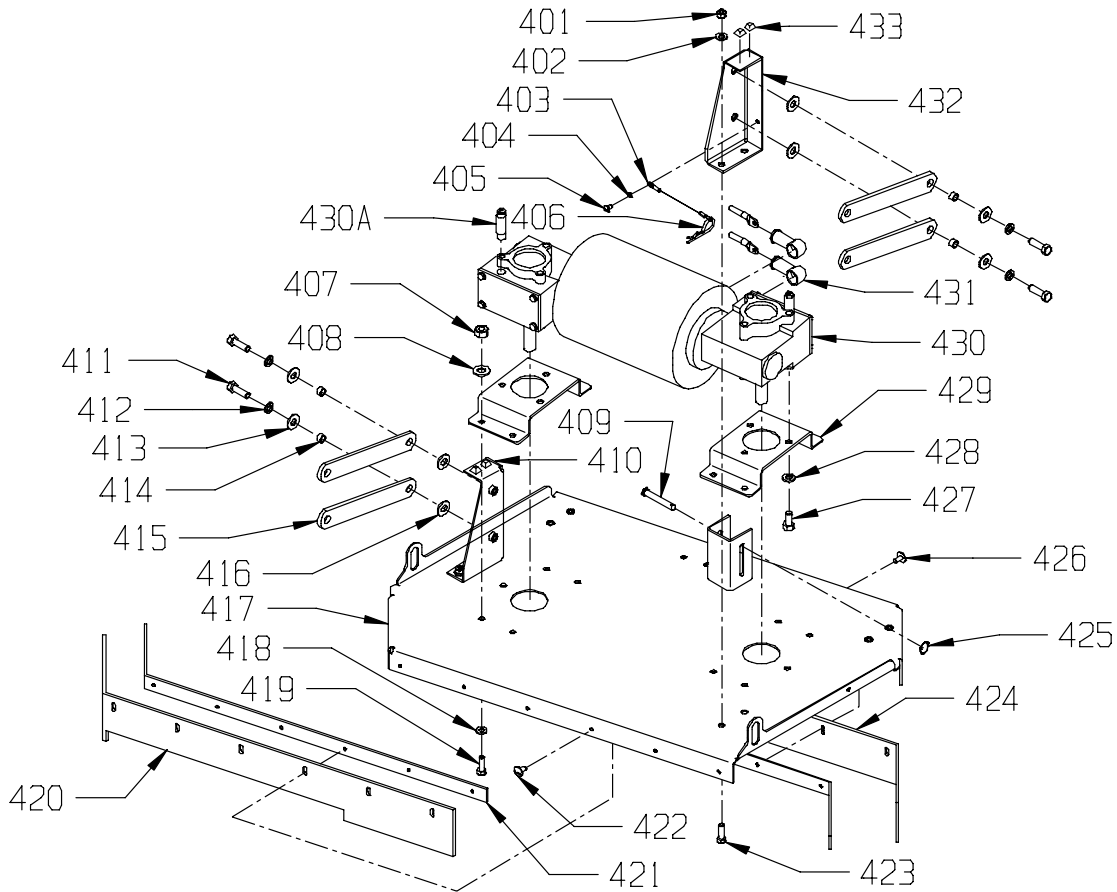
<u>ITEM</u>	<u>PART NO.</u>	<u>DESCRIPTION</u>	<u>QTY.</u>
265	3190191	STRING GUARD	1
266	7690549	BRUSH/SQUEEGEE ACTUATOR KIT	1
266	7692209	ACTUATOR LIMIT SWITCH KIT	1
267	7690491	#6 HAIR COTTER PIN	1
268	3891941	1/4 NPT HEX NIPPLE	1
269	3393551	INLINE CANISTER STRAINER (INCLUDES)	1
	3393611	STRAINER ELEMENT	1
	3394559	KIT, BOWL & GASKET (INCLUDES)	1
	3393621	GASKET	1
	3392731	BOWL	1
270	3393591	STRAINER LOCATION LABEL	1

<u>ITEM</u>	<u>PART NO.</u>	<u>DESCRIPTION</u>	<u>QTY.</u>
301	3390411	FORWARD - REVERSE SWITCH	1
302	0798821	5/8" HEX NUT (LARGE NUT)	1
303	7693931	MAIN FRAME	1
304	7691361	ACTUATOR SPRING GUIDE	1
305	2690971	HOSE CLIP	1
306	9120930	9/32 I.D. X 5/8 O.D. X .051/.080 THICK SAE FLAT WASHER (1/4)-PK-10	1
307	9121270	1/4-20 X 1 HEX BOLT - PACK OF 10	1
308	7690191	ACTUATOR MOUNT - REAR	1
309	9997590	QUICKEDGE TRIM	.3
310	9121950	3/8 X 1 5/8 CLEVIS PIN WITH RETAINER - PACK OF 1	1
311	9121520	5/16 SPLIT LOCK WASHER - PACK OF 10	2
312	9121640	5/16-18 X 3/4 HEX BOLT - PACK OF 5	2
313	9122670	1/2-20 HEX JAM NUT - PACK OF 5	1
314	1390156	SQUEEGEE SHAFT	2
315	9122140	3/8-16 HEX NUT WITH NY-LOK INSERT - PACK OF 5	1
316	7691071	SQUEEGEE LIFT CABLE	1
317	9121450	5/16-18 HEX NUT WITH NY-LOK INSERT - PACK OF 5	1
318	9121400	3/8 I.D. X 7/8 O.D. X .064/.104 THICK WROUGHT WASHER (5/16)-PK-10	1
319	7693831	SQUEEGEE BRACKET	1
320	9122020	3/8 DIA. X 3/8 LONG SOCKET HEAD SHOULDER BOLT 5/16-18-PK-1	1
321	9121950	3/8 X 1 5/8 CLEVIS PIN WITH RETAINER - PACK OF 1	1
322	9122340	3/8-16 X 2 HEX BOLT - PACK OF 2	1
323	1391171	3/8 FLANGE NYLINER	4
324	2391941	BALL JOINT	2
325	9122495	1/2-13 HEX NUT WITH NY-LOK INSERT - THIN - PACK OF 1	2
326	2391461	BUSHING - LIFT LEVER	4
327	9122580	1/2-13 X 2 HEX BOLT - PACK OF 1	2
328	7690201	ACTUATOR MOUNT CLAMP	1
329	7690549	BRUSH / SQUEEGEE ACTUATOR KIT	1
	7692209	ACTUATOR LIMIT SWITCH KIT	1
330	7690491	#6 HAIR COTTER PIN	1
331	9121640	5/16-18 X 3/4 HEX BOLT - PACK OF 5	2
332	9121520	5/16 SPLIT LOCK WASHER - PACK OF 10	2
333	7694061	FRONT MOUNT - SQUEEGEE ACTUATOR	1
334	7690311	3/8" DIAMETER X 2.505" LONG CLEVIS PIN	1
335	9121640	5/16-18 X 3/4 HEX BOLT - PACK OF 5	2
336	9121520	5/16 SPLIT LOCK WASHER - PACK OF 10	2
337	0693141	RUBBER SWITCH BOOT	1
338	0691851	1/2" INTERNAL STAR LOCK WASHER	1
339	7690491	#6 HAIR COTTER PIN	1
340	7691791	SWITCH GUARD	1
341	9121210	1/4-20 X 5/8 HEX BOLT - PACK OF 10	2
342	9120880	1/4 SPLIT LOCK WASHER - PACK OF 10	2
343	3291111	CORD CLAMP	2
344	2395761	CLAMP, TUBE	1
345	9120880	1/4 SPLIT LOCK WASHER - PACK OF 10	1
346	9121210	1/4-20 X 5/8 HEX BOLT - PACK OF 10	1

SQUEEGEE ACTUATOR ASSEMBLY

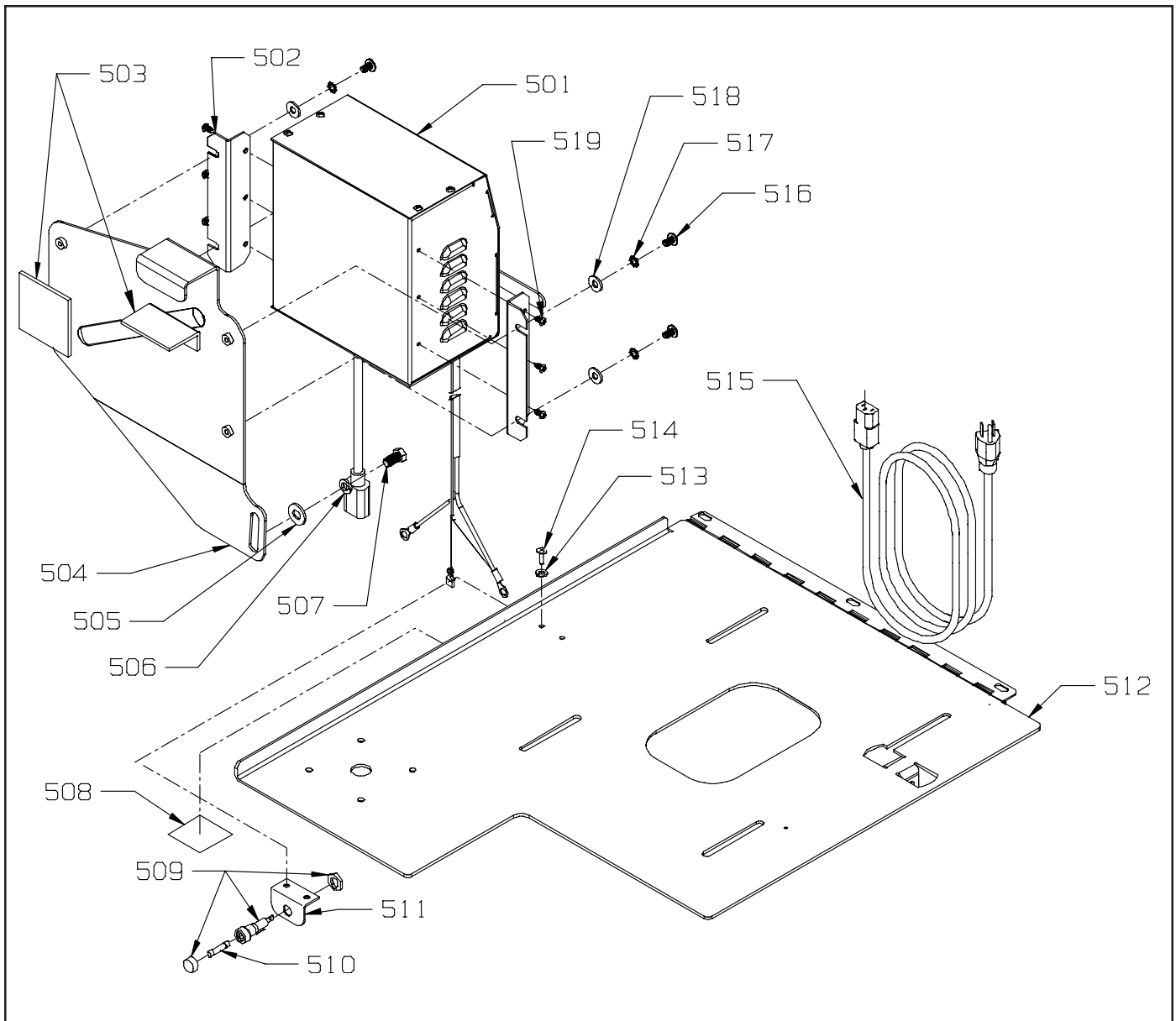


UPPER BRUSH DRIVE ASSEMBLY



ITEM	PART NO.	DESCRIPTION	QTY.
401	9122140	3/8-16 HEX NUT WITH NY-LOK INSERT - PACK OF 5	4
402	9121400	3/8 I.D. X 7/8 O.D. X .064/.104 THICK WROUGHT WASHER (5/16)-PK-10	4
403	7691331	LANYARD	2
404	9120320	#10 SPLIT LOCK WASHER - PACK OF 10	2
405	9120380	10-24 X 3/8 ROUND HEAD PHILLIPS MACHINE SCREW - PACK OF 10	2
406	7690491	#6 HAIR COTTER PIN	2
407	9121450	5/16-18 HEX NUT WITH NY-LOK INSERT - PACK OF 10	8
408	9120940	5/16 I.D. X 3/4 O.D. X .051/.080 THICK WROUGHT WASHER (1/4)-PK-10	8
409	7690311	3/8" DIAMETER X 2.505" LONG CLEVIS PIN	1
410	7690461	BRUSH PLATE MOUNT BRACKET - LEFT HAND	1
411	9122300	3/8-16 X 1 1/4 HEX BOLT - PACK OF 2	4
412	9122100	3/8 SPLIT LOCK WASHER - PACK OF 10	4
413	9121400	3/8 I.D. X 7/8 O.D. X .064/.104 THICK WROUGHT WASHER (5/16)-PK-10	4
414	2691181	PIVOT SPACER, STABILIZER BAR	8
415	2691171	STABILIZER BAR	4
416	9121400	3/8 I.D. X 7/8 O.D. X .064/.104 THICK WROUGHT WASHER (5/16)-PK-10	4
417	7690403	BRUSH MOTOR PLATE	1
418	9120940	5/16 I.D. X 3/4 O.D. X .051/.080 THICK WROUGHT WASHER (1/4)-PK-10	8
419	9121680	5/16-18 X 1 HEX BOLT - PACK OF 5	8
420	7690421	REAR SKIRT RUBBER	1
421	7690431	SKIRT RUBBER SECURING STRAP	2
422	9120510	10-24 X 1/2 TRUSS HEAD PHILLIPS MACHINE SCREW - PACK OF 10	8
423	9122260	3/8-16 X 1 HEX BOLT - PACK OF 2	4
424	7690411	FRONT SKIRT RUBBER	1
425	7690491	#6 HAIR COTTER PIN	1
426	9120510	10-24 X 1/2 TRUSS HEAD PHILLIPS MACHINE SCREW - PACK OF 10	8
427	9122220	3/8-16 X 3/4 HEX BOLT - PACK OF 5	6
428	9122100	3/8 SPLIT LOCK WASHER - PACK OF 10	6
429	7690441	BRUSH MOTOR MOUNT	2
430	7690091	BRUSH MOTOR - INCLUDES:	1
	7691841	BRUSH MOTOR GEAR BOX	2
	7692041	REPLACEMENT CARBON BRUSH - BRUSH MOTOR	4
430A	7691771	BREATHER ASSEMBLY	2
431	6492051	STUD TERMINAL BOOT - RUBBER	2
432	7690451	BRUSH PLATE MOUNT BRACKET - RIGHT HAND	1
433	2392261	BUMPER BUTTON	4

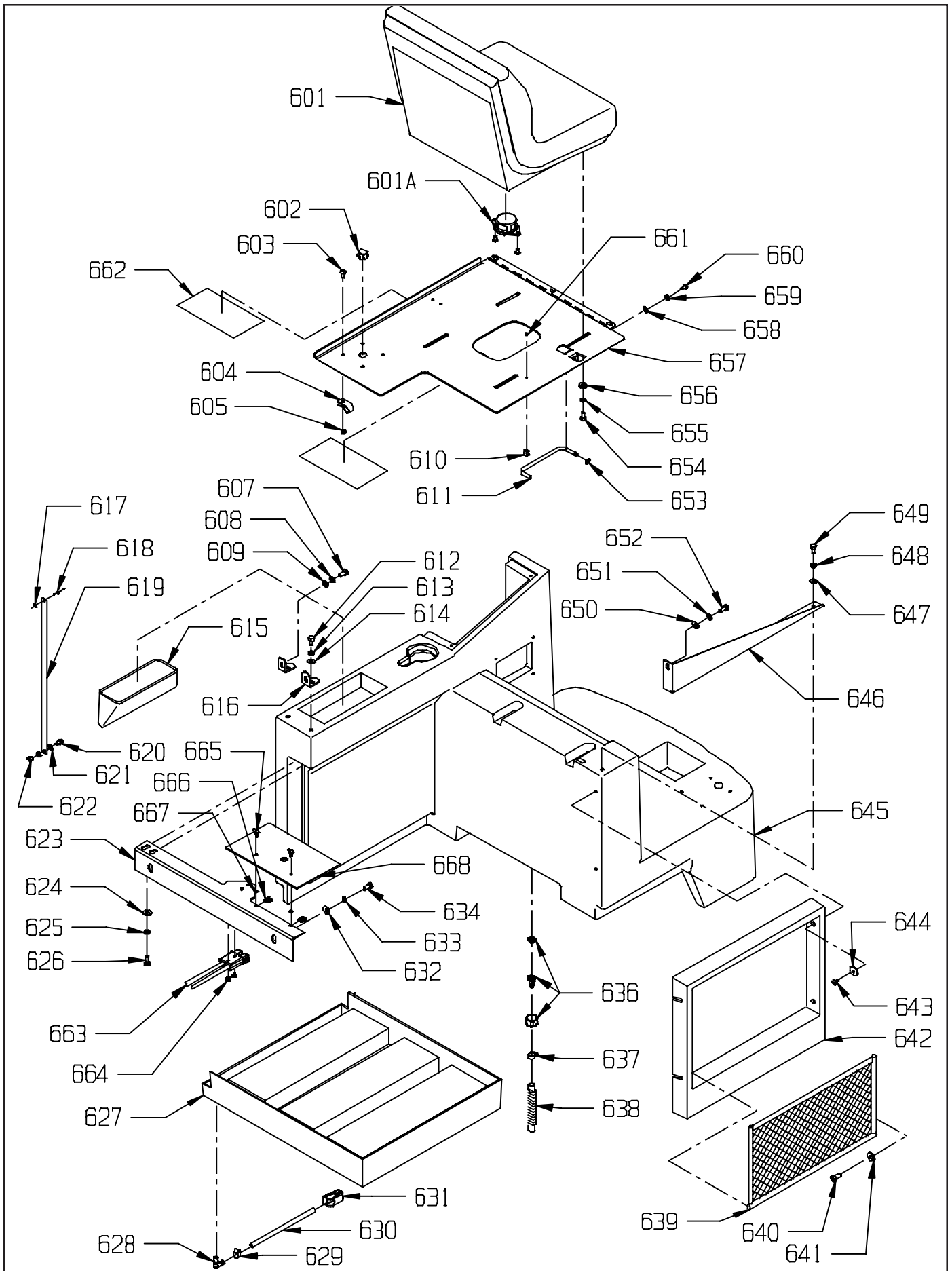
ONBOARD CHARGER



<u>ITEM</u>	<u>PART NO.</u>	<u>DESCRIPTION</u>	<u>QTY.</u>
501	6497531	36 VOLT ONBOARD CHARGER 120/240 VOLT, 25 AMP - INCLUDES:	1
	2695861	CORD WRAP	1
502	2695841	CHARGER MOUNTING BRACKET	2
503	7692711	MOUNTING BRACKET PAD	2
504	7692681	ONBOARD CHARGER MOUNT	1
505	9120930	3/8 FLAT WASHER - PACK OF 2	4
506	9120880	3/8 LOCK WASHER - PACK OF 10	4
507	9121250	3/8-16 X 3/4" LONG HEX HEAD BOLT - PACK OF 5	4
508	3393481	FUSE DECAL	1
509	4990321	FUSE HOLDER WITH NUT & WASHER	1
510	6495741	3AG FAST-ACTING FUSE 4 AMP	1
511	7692253	FUSE HOLDER MOUNT	1
512	7692691	BATTERY COVER/SEAT PLATE	1
513	9120330	#10 EXTERNAL STAR LOCK WASHER - PACK OF 10	2
514	9120500	10-24 X 3/8 FLAT HEAD PHILLIPS MACHINE SCREW - PACK OF 10	2
515	6495701	120 VOLT ONBOARD CHARGER CORD	1
	6495711	240 VOLT ONBOARD CHARGER CORD	1
516	9121090	1/4-20 X 1/2 TRUSS HEAD PHILLIPS MACHINE SCREW - PACK OF 5	4
517	9120970	1/4 STAR LOCK WASHER - PACK OF 10	4
518	9120940	1/4 FLAT WASHER - PACK OF 10	4
519	9120810	#10 X 1/2 PAN HEAD SHEET METAL SCREW - PACK OF 10	6

ITEM	PART NO.	DESCRIPTION	QTY.
601	7690601	SEAT - INCLUDES:	1
601A	7691801	SEAT SWITCH, SCREW MOUNT	1
601A	7692601	SEAT SWITCH, TWIST MOUNT	1
602	0690761	BUTTON, PLUG	1
603	9121000	1/4-20 X 5/8 TRUSS HEAD PHILLIPS MACHINE SCREW - PACK OF 5	4
604	4890851	CABLE CLAMP	1
605	9120900	1/4-20 HEX NUT WITH NY-LOK INSERT - PACK OF 10	4
606	3392811	BATTERY WARNING DECAL	1
607	9122220	3/8-16 X 3/4 HEX BOLT - PACK OF 5	2
608	9122100	3/8 SPLIT LOCK WASHER - PACK OF 10	2
609	9121400	3/8 I.D. X 7/8 O.D. X .064/.104 THICK WROUGHT WASHER (5/16)-PK-10	2
610	7691081	3/8 STOWAGE CLIP	1
611	7691191	PROP ROD - BATTERY COVER / SEAT PLATE	1
612	9122220	3/8-16 X 3/4 HEX BOLT - PACK OF 5	2
613	9122100	3/8 SPLIT LOCK WASHER - PACK OF 10	2
614	9121400	3/8 I.D. X 7/8 O.D. X .064/.104 THICK WROUGHT WASHER (5/16)-PK-10	2
615	7691249	FILTER SCREEN ASSEMBLY	1
616	7692373	SOLUTION TANK MOUNTING BRACKET	2
617	9120370	7/32 I.D. X 1/2 O.D. X .032/.065 THICK FLAT WASHER (#10) - PACK OF 10	1
618	9120817	3/16 X 11/16 DOME HEAD POP RIVET - ALUMINUM - PACK OF 5	1
619	7691911	SOLUTION GAGE	1
620	9121600	5/16-18 X 5/8 HEX BOLT - PACK OF 5	1
621	9121400	3/8 I.D. X 7/8 O.D. X .064/.104 THICK WROUGHT WASHER (5/16)-PK-10	2
622	9121450	5/16-18 HEX NUT WITH NY-LOK INSERT - PACK OF 5	1
623	7695203	UPPER MOUNTING BRACKET - RECOVERY TANK	1
624	9121400	3/8 I.D. X 7/8 O.D. X .064/.104 THICK WROUGHT WASHER (5/16)-PK-10	2
625	9122100	3/8 SPLIT LOCK WASHER - PACK OF 10	2
626	9122220	3/8-16 X 3/4 HEX BOLT - PACK OF 5	2
627	7690051	BATTERY BOX	1
628	2490601	FITTING, ELL 3/8 BARB X 1/4 MNPT	1
629	5092371	CORD CLAMP	1
630	8791070	3/8" I.D. X 1/2" O.D. VINYL HOSE - (CUT TO 18")	1.5'
631	3390661	TUBING CONTROL VALVE	1
632	9121400	3/8 I.D. X 7/8 O.D. X .064/.104 THICK WROUGHT WASHER (5/16)-PK-10	2
633	9122100	3/8 SPLIT LOCK WASHER - PACK OF 10	2
634	9122220	3/8-16 X 3/4 HEX BOLT - PACK OF 5	2
636	7693771	FILTER FITTING 3/4 HOSE BARB AND COLLAR	1
637	7693811	HOSE CLAMP - 9/16" TO 1 1/16"	1
638	7693781	3/4" DIAMETER X 6 1/2" LONG CONVOLUTED HOSE	1
639	7691391	CARGO NET	1
640	9120790	10 X 5/8 PAN HEAD PHILLIPS SHEET METAL SCREW - PACK OF 10	4
641	9120370	7/32 I.D. X 1/2 O.D. X .032/.065 THICK FLAT WASHER (#10) - PACK OF 10	4
642	7690061	SIDE COVER	1
643	9121000	1/4-20 X 5/8 TRUSS HEAD PHILLIPS MACHINE SCREW - PACK OF 5	4
644	9120950	1/4 I.D. X 1 1/4 O.D. FENDER WASHER - PACK OF 10	4
645	7690011	SOLUTION TANK	1
646	7691013	SOLUTION TANK MOUNTING BRACKET - RIGHT	1
647	9121400	3/8 I.D. X 7/8 O.D. X .064/.104 THICK WROUGHT WASHER (5/16)-PK-10	1
648	9122100	3/8 SPLIT LOCK WASHER - PACK OF 10	1
649	9122220	3/8-16 X 3/4 HEX BOLT - PACK OF 5	1
650	9121980	3/8 FLAT WASHER - PACK OF 10	1
651	9122100	3/8 SPLIT LOCK WASHER - PACK OF 10	1
652	9122220	3/8-16 X 3/4 HEX BOLT - PACK OF 5	1
653	7691091	3/8 EXTERNAL E-RING - PROP ROD	2
654	9121640	5/16-18 X 3/4 HEX BOLT - PACK OF 5	4
655	9121520	5/16 SPLIT LOCK WASHER - PACK OF 10	4
656	9120940	5/16 I.D. X 3/4 O.D. X .051/.080 THICK WROUGHT WASHER (1/4)-PK-10	4
657	7692691	BATTERY COVER / SEAT PLATE	1
658	9120930	9/32 I.D. X 5/8 O.D. X .051/.080 THICK SAE FLAT WASHER (1/4)-PK-10	3
659	9120970	1/4 EXTERNAL STAR LOCK WASHER - PACK OF 10	3
660	9121000	1/4-20 X 5/8 TRUSS HEAD PHILLIPS MACHINE SCREW - PACK OF 5	3
661	9120307	1/8 X 3/16 DOME HEAD POP RIVET - ALUMINUM - PACK OF 5	1
662	3394141	OBC WARNING DECAL	1
663	7691691	WIRING HARNESS: BATTERIES TO CONTROLLER	1
664	9120910	1/4-20 HEX NUT WITH STARLOCK WASHER - PACK OF 10	2
665	7692531	1/4 TURN STUD	2
666	7692541	WASHER FOR 1/4 TURN STUD	2
667	7692551	1/4 TURN CLIP ON RECEPTACLE	2
668	7692701	BATTERY COMPARTMENT CORNER PLATE	1

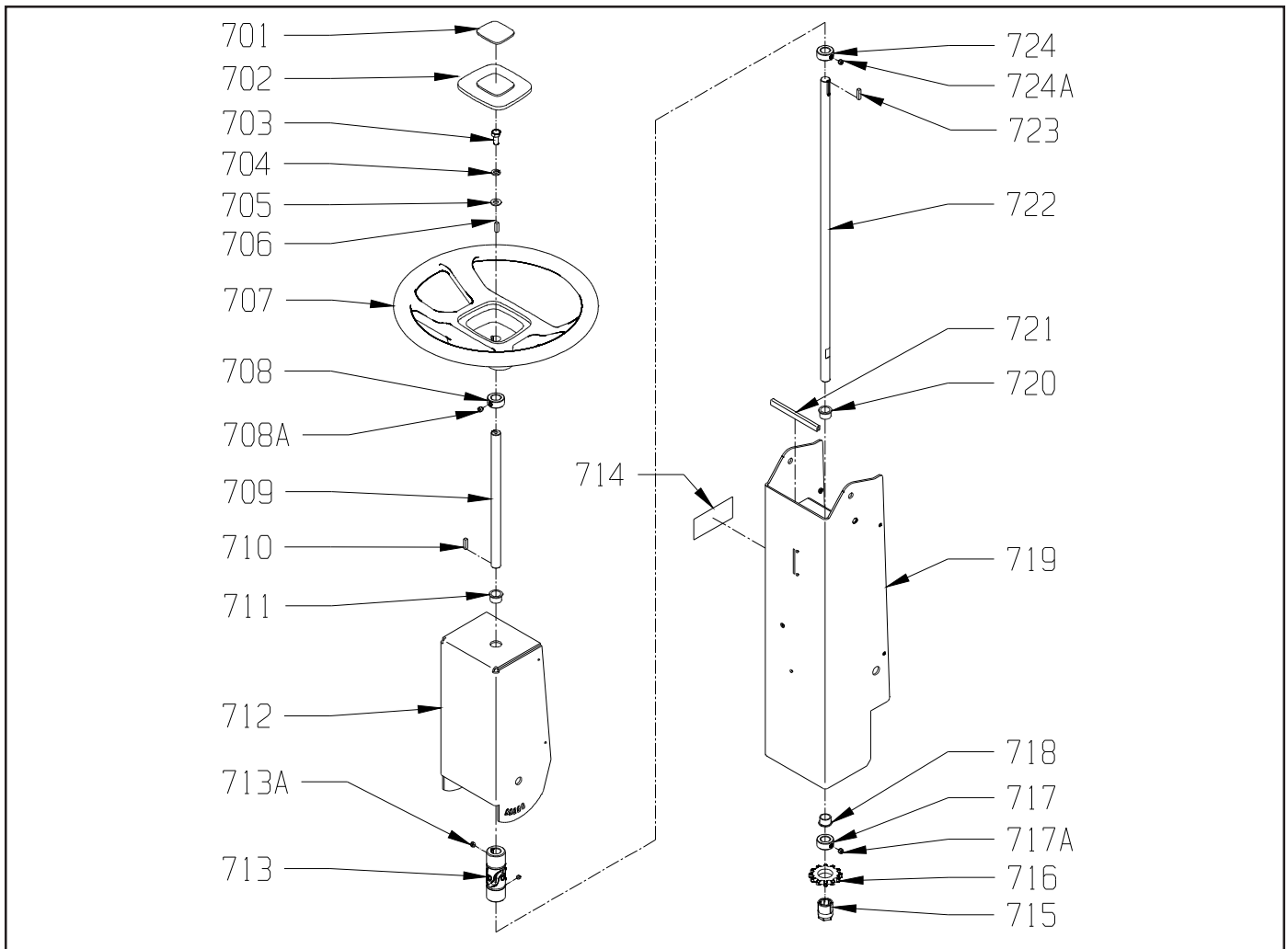
SOLUTION TANK ASSEMBLY



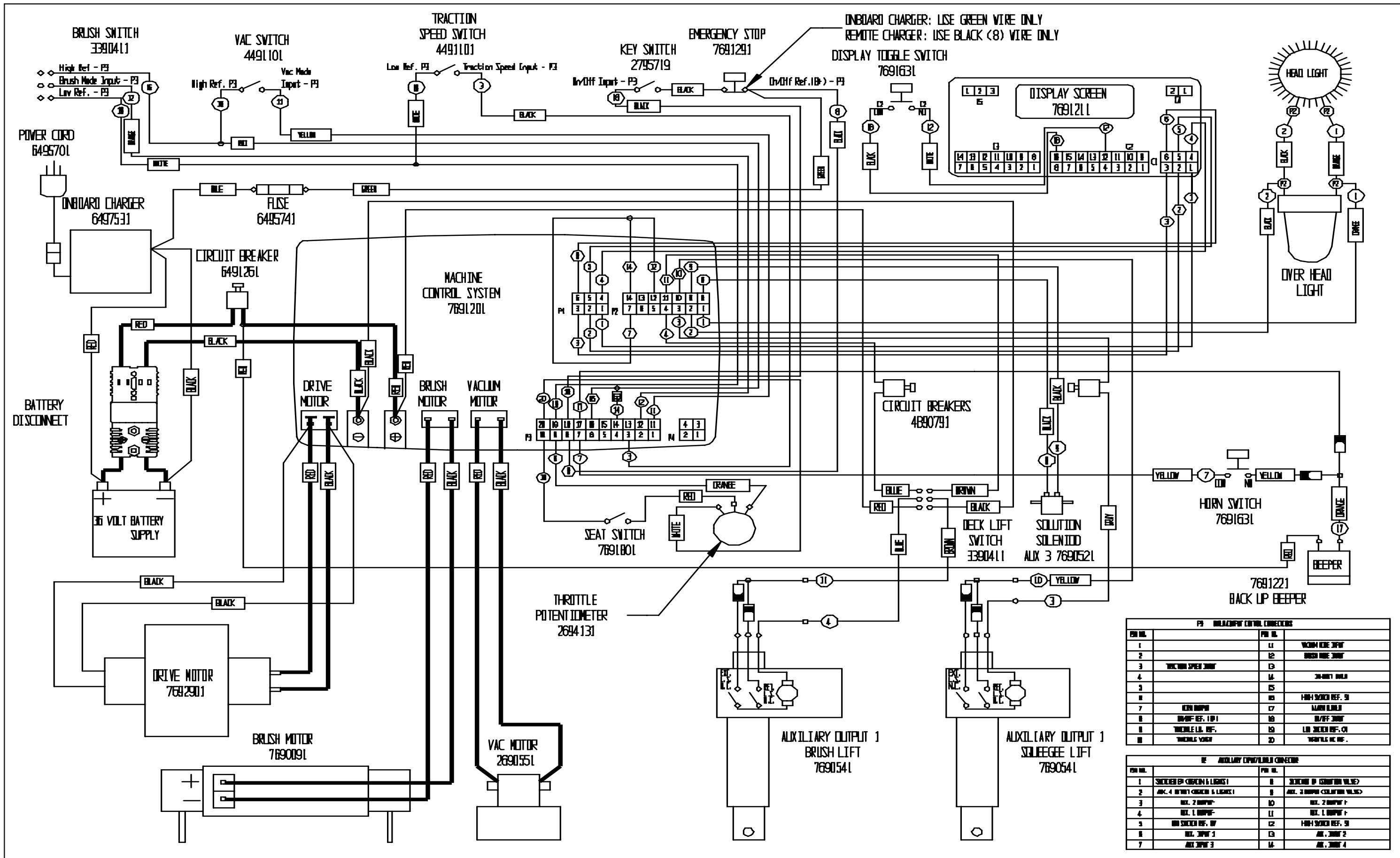
ELECTRICAL COMPONENTS

<u>PART NO.</u>	<u>DESCRIPTION</u>	<u>QTY.</u>
2391981	BATTERY JUMPER 3/8" RING	5
2690551	VAC MOTOR, 36 VOLT	1
2690951	BATTERY, DRY, 6 VOLT, 325 AMP / HOUR	6
2691501	BATTERY, WET, 6 VOLT, 325 AMP / HOUR	6
2694131	POTENTIOMETER, CURTIS SPEED CONTROLLER	1
2792571	REPLACEMENT CARBON BRUSH - VAC MOTOR	2
7692511	KEY SWITCH WITH KEY	1
7692521	REPLACEMENT KEY FOR 7692511	1
3390361	BATTERY, WET, 6VOLT, 225 AMP/HR	6
3390951	BATTERY, DRY 6 VOLT, 225 AMP/HR	6
3390411	FORWARD - REVERSE SWITCH	2
3393549	EMERGENCY STOP KIT	1
4491101	TOGGLE SWITCH, MOTOR	2
4890791	CIRCUIT BREAKER - 2 AMP	2
4990321	FUSE HOLDER WITH NUT & WASHER	1
6491261	CIRCUIT BREAKER - 90 AMP	1
6497531	36V ONBOARD CHARGER 120/240 VOLT 25 AMP	1
6495701	120V ONBOARD CHARGER CORD	1
6495741	3AG FAST-ACTING FUSE 4 AMP	1
7692901	DRIVE WHEEL WITH ELECTRIC BRAKE	1
7690091	BRUSH MOTOR	1
7692621	SOLUTION SOLENOID VALVE	1
7690541	BRUSH / SQUEEGEE ACTUATOR MOTOR	2
7691201	MACHINE CONTROL SYSTEM	1
7691211	LCD MODULE	1
7691221	BACK UP ALARM	1
7691301	EMERGENCY STOP BLOCK	1
7691401	BATTERY - 395 AMP HOUR - 6 VOLT DC - WET	6
7691421	BATTERY - 395 AMP HOUR - 6 VOLT DC - DRY	6
7691621	CIRCUIT BREAKER TO CONTROLLER	1
7691631	PUSH BUTTON SWITCH	2
7691641	EMERGENCY STOP TO KEY SWITCH	1
7691651	CONTROLLER TO LCD	1
7695211	WIRING ASSEMBLY, ANDERSON TO +/- BATTERY	1
7691671	CONTROLLER TO BRUSH	1
7692911	HARNESS CONTROLLER TO DRIVE MOTOR WITH ELECTRIC BRAKE	1
7691691	WIRING HARNESS: BATTERIES TO CONTROLLER	1
7691701	MAIN WIRING HARNESS	1
7691721	LCD TO SWITCH	1
7691731	GROUND WIRE	2
7691741	BACK-UP ALARM WIRE	1
7691751	WIRE ASSEMBLY - HIGH REFERENCE	1
7691761	WIRE ASSEMBLY - LOW REFERENCE	1
7691781	WIRE ASSEMBLY - OVERRIDE SWITCH TO BRUSH ACTUATOR	1
7691801	SEAT SWITCH	1
7691821	STROBE LIGHT (OPTIONAL)	1
7691831	HEADLIGHT (OPTIONAL)	1
7692641	AUXILIARY HARNESS TO CONTROLER	1
7692021	HEADLIGHT BULB	1
7692031	STROBE LIGHT BULB	1
7692041	CARBON BRUSH - BRUSH MOTOR	4
7692051	CARBON BRUSH - DRIVE WHEEL	4
7692091	ACTUATOR SETTING INSTRUCTIONS	1
9123000	1/8 X 11" WIRE TIE - PACK OF 5	1
9123005	5 1/2" LONG WIRE TIE - PACK OF 5	5

INNER STEERING COLUMN ASSEMBLY



ITEM	PART NO.	DESCRIPTION	QTY.
701	7690931	DECAL - STEERING WHEEL	1
702	7690631	CAP - STEERING WHEEL	1
703	9121640	5/16-18 X 3/4 HEX BOLT - PACK OF 5	1
704	9121520	5/16 SPLIT LOCK WASHER - PACK OF 10	1
705	9121985	13/32 I.D. X 1 O.D. X .12 THICK FLAT WASHER (11 GAGE) - PACK OF 1	1
706	9120827	3/16 SQUARE X 1 LONG KEY - STEEL - PACK OF 2	1
707	7690611	STEERING WHEEL	1
708	7690661	5/8 SET COLLAR / STEERING SHAFT - INCLUDES:	1
708A	9121380	5/16-18 X 3/8 SET SCREW - KNUURL POINT - PACK OF 2	1
709	7690921	UPPER STEERING SHAFT	1
710	9120827	3/16 SQUARE X 1 LONG KEY - STEEL - PACK OF 2	1
711	2790761	BEARING, FLANGE FF-71	1
712	7690733	UPPER COLUMN	1
713	7690621	UNIVERSAL JOINT - STEERING - INCLUDES:	1
713A	9121380	5/16-18 X 3/8 SET SCREW - KNUURL POINT - PACK OF 2	2
714	7692281	NAMING IDENTIFICATION LABEL	1
715	7691311	TRAN - TORQUE KEYLESS BUSHING	1
716	7691321	SPROCKET	1
717	7690661	5/8 SET COLLAR / STEERING SHAFT - INCLUDES:	1
717A	9121380	5/16-18 X 3/8 SET SCREW - KNUURL POINT - PACK OF 2	1
718	2790761	BEARING, FLANGE FF-71	1
719	7690713	STEERING COLUMN - BASE	1
720	2790761	BEARING, FLANGE FF-71	1
721	9997590	EDGE TRIM (CUT TO 6")	.5'
722	7690911	LOWER STEERING SHAFT	1
723	9120827	3/16 SQUARE X 1 LONG KEY - STEEL - PACK OF 2	1
724	7690661	5/8 SET COLLAR / STEERING SHAFT - INCLUDES:	1
724A	9121380	5/16-18 X 3/8 SET SCREW - KNUURL POINT - PACK OF 2	1

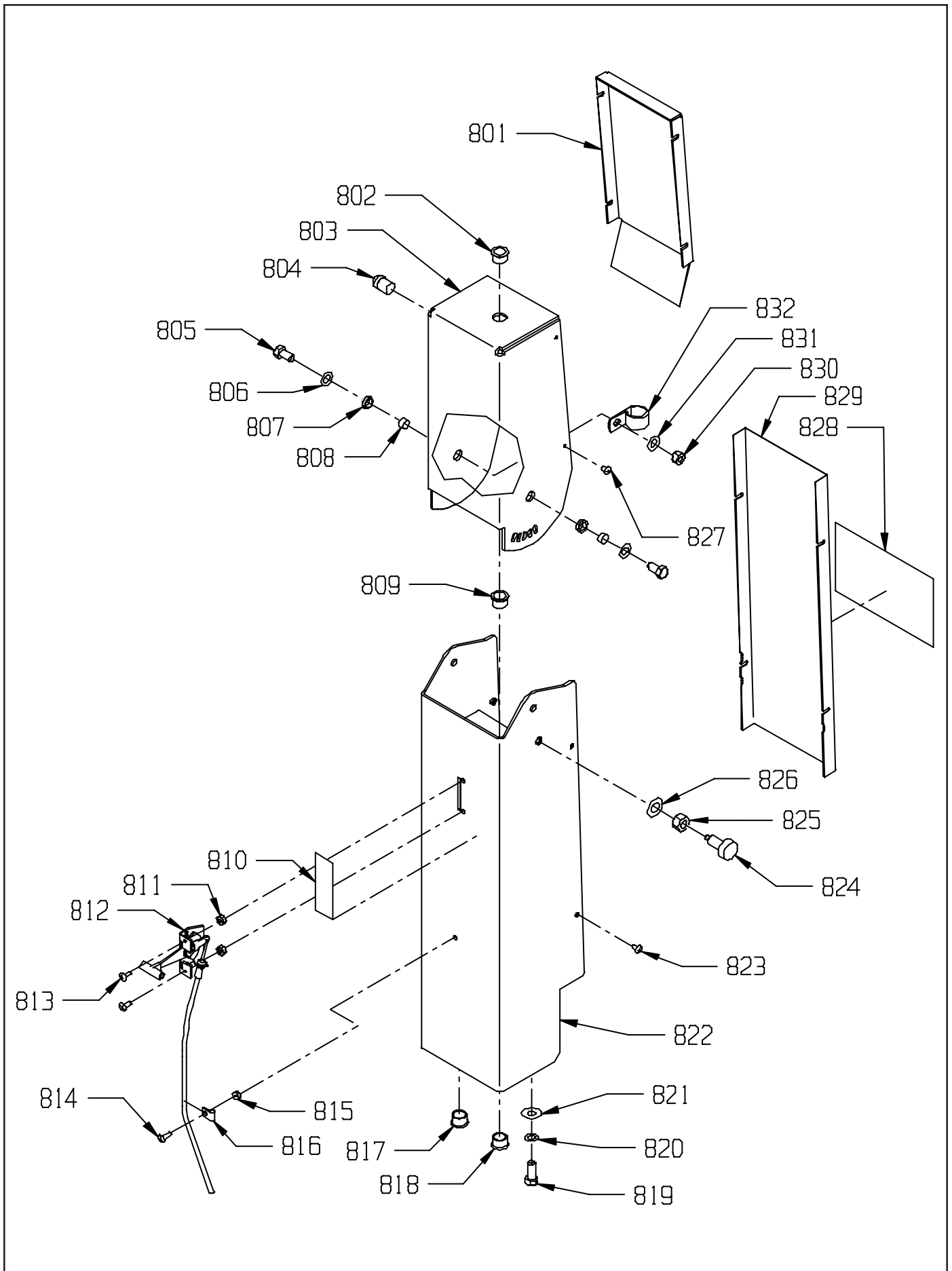


P3 BRUSH/IMP CONTROL CONNECTIONS		
PIN NO.	PIN NO.	DESCRIPTION
1	11	VACUUM RELE INPUT
2	12	BRUSH RELE INPUT
3	13	TRACTION SPEED INPUT
4	14	30-AMT. BULK
5	15	
6	16	HORN-SWCH REF. 51
7	17	ALARM BULK
8	18	BL/FF INPUT
9	19	TRUCK LIA. REF.
10	20	TRUCKS AC REF.

B2 AUXILIARY OUTPUTS CONNECTIONS		
PIN NO.	PIN NO.	DESCRIPTION
1	8	SOLIDEGEE (SOLUTION VALVE)
2	9	AUX. 3 INPUT (SOLUTION VALVE)
3	10	AUX. 2 INPUT 1
4	11	AUX. 1 INPUT 1
5	12	HORN-SWCH REF. 51
6	13	AUX. INPUT 2
7	14	AUX. INPUT 4

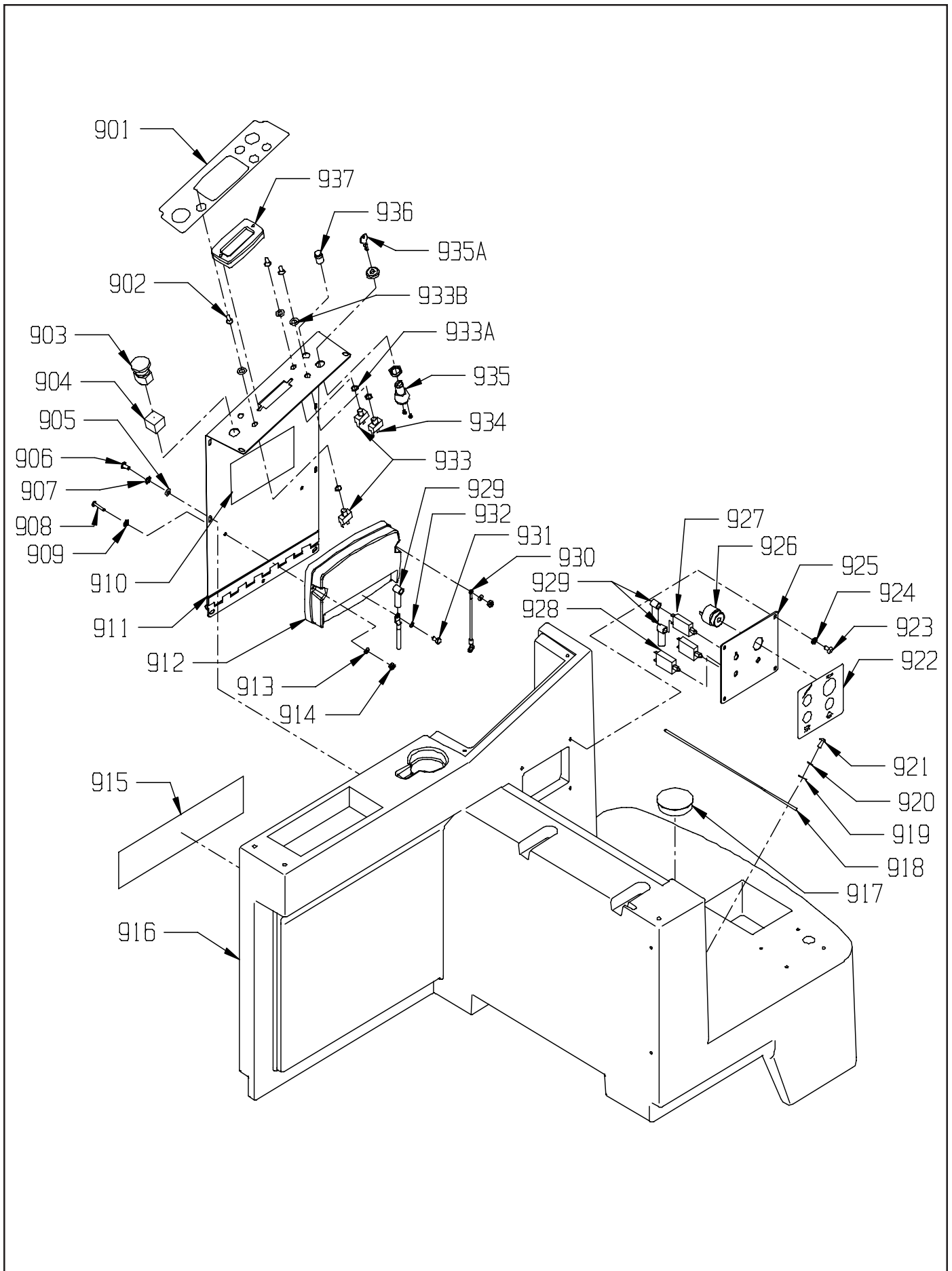
<u>ITEM</u>	<u>PART NO.</u>	<u>DESCRIPTION</u>	<u>QTY.</u>
801	7690743	TILT COLUMN COVER	1
802	2790761	BEARING, FLANGE FF-71	1
803	7690733	UPPER COLUMN	1
804	7691631	PUSH BUTTON SWITCH	1
805	9122300	3/8-16 X 1 1/4 HEX BOLT - PACK OF 2	2
806	9121400	3/8 I.D. X 7/8 O.D. X .064/.104 THICK WROUGHT WASHER (5/16)-PK-10	2
807	7690691	NYLINER - STEERING TILT	2
808	2691181	PIVOT SPACER, STABILIZER BAR	2
809	2790761	BEARING, FLANGE FF-71	1
810	7692301	BLACK AND WHITE MINI KIT	1
811	9120360	10-24 HEX NUT WITH STAR LOCK WASHER - PACK OF 10	2
812	7691051	SOLUTION LEVER AND CABLE ASSEMBLY	1
813	9120420	10-24 X 5/8 ROUND HEAD PHILLIPS MACHINE SCREW - PACK OF 10	2
814	9120420	10-24 X 5/8 ROUND HEAD PHILLIPS MACHINE SCREW - PACK OF 10	1
815	9120360	10-24 HEX NUT WITH STAR LOCK WASHER - PACK OF 10	1
816	5294201	NYLON CABLE CLAMP	1
817	4890451	BUSHING, SNAP IN, #SB87511 HEYCO	1
818	2790761	BEARING, FLANGE FF-71	1
819	9122260	3/8-16 X 1 HEX BOLT - PACK OF 2	4
820	9122100	3/8 SPLIT LOCK WASHER - PACK OF 10	4
821	9121400	3/8 I.D. X 7/8 O.D. X .064/.104 THICK WROUGHT WASHER (5/16)-PK-10	4
822	7692921	STEERING COLUMN - BASE	1
823	9120500	10-24 X 3/8 TRUSS HEAD PHILLIPS MACHINE SCREW - PACK OF 10	4
824	7690701	RETRACTABLE PLUNGER - TILT STEERING	1
825	9122680	1/2-13 HEX JAM NUT - PACK OF 5	1
826	9122450	17/32 I.D. X 1 1/16 O.D. X .074/.121 THICK SAE FLAT WASHER (1/2)-PK-5	1
827	9120500	10-24 X 3/8 TRUSS HEAD PHILLIPS MACHINE SCREW - PACK OF 10	4
828	0393531	NSS LOGO DECAL 3.5 X 4.0	1
829	7690723	COVER - BASE	1
830	9122140	3/8-16 HEX NUT WITH NY-LOCK INSERT - PACK OF 5	2
831	9121400	3/8 I.D. X 7/8 O.D. X .064/.104 THICK WROUGHT WASHER (5/16)-PK-10	2
832	2395761	CLAMP, TUBE	1

STEERING COLUMN ASSEMBLY



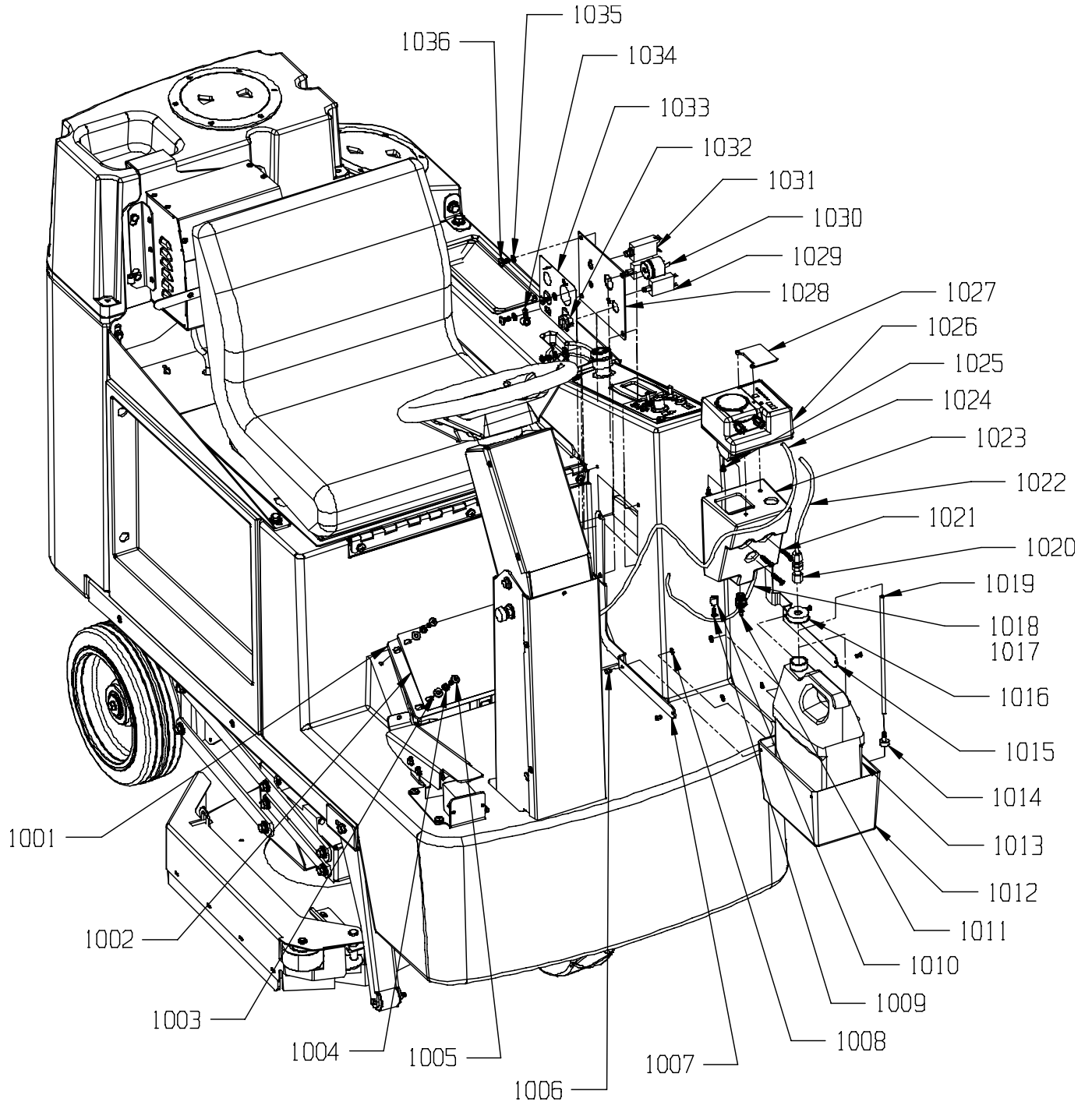
ITEM	PART NO.	DESCRIPTION	QTY.
901	7691811	ELECTRICAL PANEL - DECAL	1
902	0693141	RUBBER SWITCH BOOT	3
903	3393549	EMERGENCY STOP KIT	1
904	7691301	EMERGENCY STOP BLOCK	1
905	9120930	9/32 I.D. X 5/8 O.D. X .051/.080 THICK SAE FLAT WASHER (1/4)-PK-10	7
906	9121000	1/4-20 X 5/8 TRUSS HEAD PHILLIPS MACHINE SCREW - PACK OF 5	7
907	9120970	1/4 EXTERNAL STAR LOCK WASHER - PACK OF 10	7
908	9120460	10-24 X 1 1/4 ROUND HEAD PHILLIPS MACHINE SCREW-PK-10	2
909	9120330	#10 EXTERNAL STAR LOCK WASHER - PACK OF 10	2
910	7692931	2929 WIRING DIAGRAM DECAL	1
911	7694333	ELECTRICAL PANEL	1
912	7691201	MACHINE CONTROL SYSTEM	1
913	9120370	7/32 I.D. X 1/2 O.D. X .032/.065 THICK SAE FLAT WASHER (#10)-PK-10	2
914	9120350	10-24 HEX NUT WITH NY-LOK INSERT - PACK OF 10	2
915	7692561	NSS LOGO DECAL - 3.5 X 20	1
916	7690011	SOLUTION TANK	1
917	6490791	PLUG 3"	1
918	7690123	ACTUATOR COVER PANEL	1
919	9120930	9/32 I.D. X 5/8 O.D. X .051/.080 THICK SAE FLAT WASHER (1/4)-PK-10	4
920	9120970	1/4 EXTERNAL STAR LOCK WASHER - PACK OF 10	4
921	9121000	1/4-20 X 5/8 TRUSS HEAD PHILLIPS MACHINE SCREW - PACK OF 5	4
922	7692301	BLACK AND WHITE MINI KIT	1
923	9121000	1/4-20 X 5/8 TRUSS HEAD PHILLIPS MACHINE SCREW - PACK OF 5	4
924	9120970	1/4 EXTERNAL STAR LOCK WASHER - PACK OF 10	4
925	7692781	PANEL - CIRCUIT BREAKER	1
926	7691221	BACK UP ALARM	1
927	6491261	CIRCUIT BREAKER - 90 AMP	1
928	4890791	CIRCUIT BREAKER - 2 AMP	2
929	7692421	TERMINAL BOOT (RED)	3
930	7691731	GROUND WIRE	1
931	9120835	M6 X 12.7 HEX HEAD BOLT - PACK OF 2	2
932	9120970	1/4 EXTERNAL STAR LOCK WASHER - PACK OF 10	2
933	4491101	TOGGLE SWITCH, MOTOR	2
933A	0798821	5/8" HEX NUT (LARGE NUT)	3
933B	0691851	1/2 INTERNAL STAR LOCK WASHER	3
934	3390411	FORWARD - REVERSE SWITCH	1
934A	0798821	5/8" HEX NUT (LARGE NUT)	3
934B	0691851	1/2 INTERNAL STAR LOCK WASHER	3
935	7692511	KEY SWITCH WITH KEY	1
935A	7692521	REPLACEMENT KEY FOR 7692511	1
936	7691631	PUSH BUTTON SWITCH	1
937	7691211	LCD MODULE	1

STANDARD ELECTRICAL PANEL ASSEMBLY



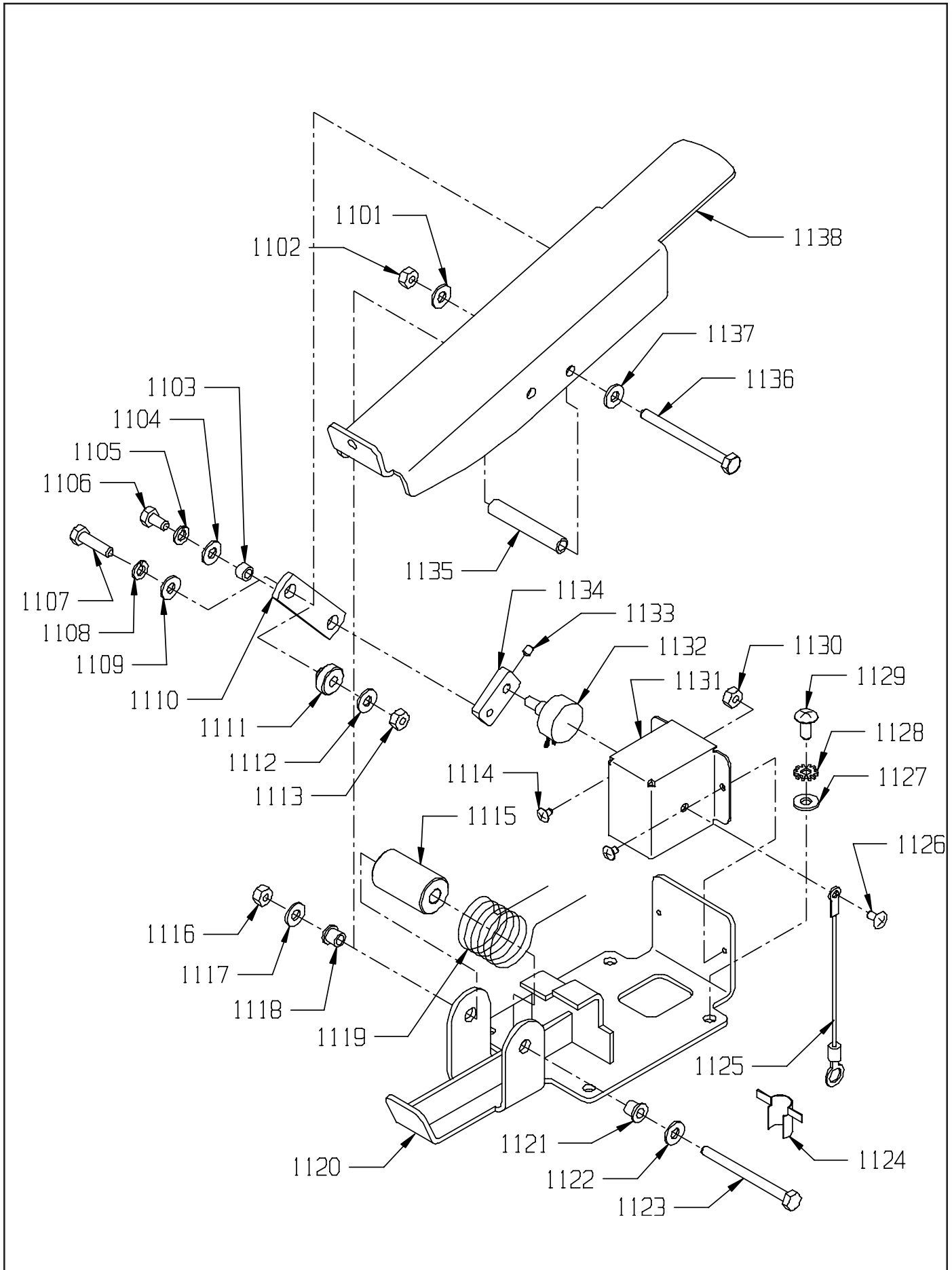
ITEM	PART NO.	DESCRIPTION	QTY.
1001	7692851	ACTUATOR COVER GASKET (SIDEKICK ONLY)	1
1002	7690123	ACTUATOR COVER PANEL	1
1003	9120930	9/32 I.D. X 5/8 O.D. X .051/.080 THICK SAE FLAT WASHER (1/4) - PACK OF 10	4
1004	9120970	1/4 EXTERNAL STAR LOCK WASHER - PACK OF 10	4
1005	9121020	1/4-20 X 1" TRUSS HEAD PHILLIPS MACHINE SCREW - PACK OF 5	4
1006	9120319	5/32 X 3/8 POP RIVET - PACK OF 5 (SIDEKICK ONLY)	4
1007	7692891	INNER BOTTLE HOLDER STRAP (SIDEKICK ONLY)	1
1008	9120185	5/32 ID BACKUP WASHER - PACK OF 6 (SIDEKICK ONLY)	4
1009	9120790	#10 X 5/8 PAN HEAD PHILLIPS SHEETMETAL SCREW - PACK OF 10 (SK ONLY)	1
1010	6793651	CABLE CLAMP (SIDEKICK ONLY)	1
1011	2693991	1/4 BARB X 1/4 NPT BULKHEAD FITTING (SIDEKICK ONLY)	1
1012	7692871	BOTTLE HOLDER (SIDEKICK ONLY)	1
1013	9590171	F-STYLE BOTTLE (OPTIONAL) (SIDEKICK ONLY)	1
1014	9590291	SUCTION STRAINER (SIDEKICK ONLY)	1
1015	7692881	OUTER BOTTLE HOLDER STRAP (SIDEKICK ONLY)	1
1016	9590271	38mm BOTTLE CAP (SIDEKICK ONLY)	1
1017	7693241	STRAIN RELIEF (SIDEKICK ONLY)	1
1018	7692861	SIDEKICK CABLE (SIDEKICK ONLY)	1
1019	9590321	1/4 OD NYLON TUBING - CUT TO LENGTH AS REQ'D (SIDEKICK ONLY)	1
1020	9590281	1/4 JACO BULKHEAD FITTING	1
1021	9120793	#10 X 1 1/2 PAN HEAD PHILLIPS SHEETMETAL SCREW (SK ONLY)	3
1022	9590321	1/4 OD NYLON TUBING X 12" LONG (SIDEKICK ONLY)	1
1023	7692791	SIDEKICK PUMP MOUNT (SIDEKICK ONLY)	1
1024	9590321	1/4 OD NYLON TUBING X 65" LONG (SIDEKICK ONLY)	1
1025	9120810	#10 X 1/2 PAN HEAD PHILLIPS SHEETMETAL SCREW - PACK OF 10 (SK ONLY)	2
1026	9590101	KIT, SIDEKICK CHEMICAL METERING	1
	9590211	REPLACEMENT CONTROL BOARD	1
	9590121	REPLACEMENT PUMP TOP HOUSING	1
	9590131	REPLACEMENT PUMP BOTTOM HOUSING	1
	9590311	REPLACEMENT SPINNER ASSY	1
	9590141	REPLACEMENT SQUEEZE TUBE WITH FITTINGS	1
	9590151	REPLACEMENT SQUEEZE TUBE COVER	1
1014	9590291	SUCTION STRAINER	1
1027	9590189	KIT, CONTROL COVER-SIDEKICK - OPTIONAL; INCLUDES	1
	3394261	DILUTION CONTROL COVER	1
	9590191	#6 X 1/2 TAMPERPROOF SCREW	2
	9590201	TAMPERPROOF SCREW TOOL	1
1028	7692781	CIRCUIT BREAK PANEL	1
1029	4890791	CIRCUIT BREAKER - 2 AMP	2
1030	7691221	BACK UP ALARM	1
1031	6491261	CIRCUIT BREAKER - 90 AMP	1
1032	7693241	STRAIN RELIEF (SIDEKICK ONLY)	1
1033	7692301	BLACK AND WHITE MINI KIT	1
1034	3291111	CORD CLAMP (SIDEKICK ONLY)	2
1035	9120970	1/4 EXTERNAL STAR LOCK WASHER - PACK OF 10	4
1036	9121000	1/4-20 X 5/8 TRUSS HEAD PHILLIPS MACHINE SCREW - PACK OF 10	4

SIDEKICK & ELECTRICAL PANEL ASSEMBLY

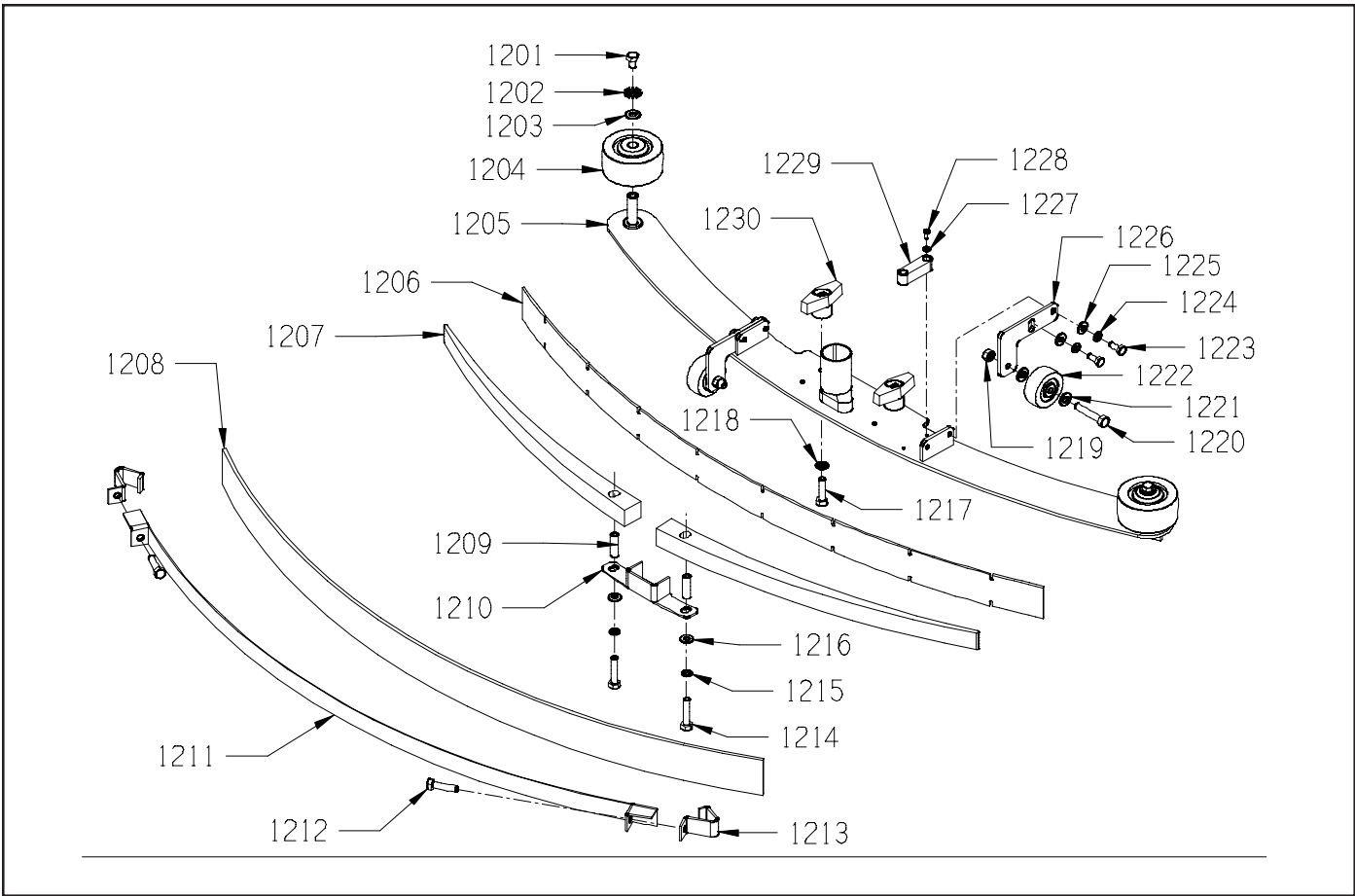


<u>ITEM</u>	<u>PART NO.</u>	<u>DESCRIPTION</u>	<u>QTY.</u>
1101	9120930	9/32 I.D. X 5/8 O.D. X .051/.080 THICK SAE FLAT WASHER (1/4) - PACK OF 10	1
1102	9120900	1/4-20 HEX NUT WITH NY-LOK INSERT - PACK OF 10	1
1103	2791281	BUSHING SPACER	1
1104	9120930	9/32 I.D. X 5/8 O.D. X .051/.080 THICK SAE FLAT WASHER (1/4) - PACK OF 10	1
1105	9120880	1/4 SPLIT LOCK WASHER - PACK OF 10	1
1106	9121210	1/4-20 X 5/8 HEX BOLT - PACK OF 10	1
1107	9121060	1/4-20 X 1 1/4 HEX BOLT - PACK OF 5	1
1108	9120880	1/4 SPLIT LOCK WASHER - PACK OF 10	1
1109	9120930	9/32 I.D. X 5/8 O.D. X .051/.080 THICK SAE FLAT WASHER (1/4) - PACK OF 10	1
1110	7690891	ACCELERATOR PEDAL ARM	1
1111	2691771	PIN, SKIRT LATCH	1
1112	9120930	9/32 I.D. X 5/8 O.D. X .051/.080 THICK SAE FLAT WASHER (1/4) - PACK OF 10	1
1113	9120900	1/4-20 HEX NUT WITH NY-LOK INSERT - PACK OF 10	1
1114	9120210	8-32 X 1/4 TRUSS HEAD PHILLIPS MACHINE SCREW - PACK OF 10	2
1115	7690811	GUIDE	1
1116	9120900	1/4-20 HEX NUT WITH NY-LOK INSERT - PACK OF 10	1
1117	9120930	9/32 I.D. X 5/8 O.D. X .051/.080 THICK SAE FLAT WASHER (1/4) - PACK OF 10	1
1118	7690801	1/4 I.D. X 3/8 O.D. X 3/8 LONG FLANGE BEARING - THROTTLE PEDAL	1
1119	7690821	TORSION SPRING - ACCELERATOR PEDAL	1
1120	7691961	PIVOT BRACKET - ACCELERATOR	1
1121	7690801	1/4 I.D. X 3/8 O.D. X 3/8 LONG FLANGE BEARING - THROTTLE PEDAL	1
1122	9120930	9/32 I.D. X 5/8 O.D. X .051/.080 THICK SAE FLAT WASHER (1/4) - PACK OF 10	1
1123	9121350	1/4-20 X 3 HEX HEAD BOLT - PACK OF 3	1
1124	5091661	CORD CLAMP	1
1125	7691731	GROUND WIRE	1
1126	9120500	10-24 X 3/8 TRUSS HEAD PHILLIPS MACHINE SCREW - PACK OF 10	1
1127	9120930	9/32 I.D. X 5/8 O.D. X .051/.080 THICK SAE FLAT WASHER (1/4) - PACK OF 10	4
1128	9120970	1/4 EXTERNAL STAR LOCK WASHER - PACK OF 10	4
1129	9121000	1/4-20 X 5/8 TRUSS HEAD PHILLIPS MACHINE SCREW - PACK OF 5	1
1130	9120350	10-24 HEX NUT WITH NY-LOK INSERT - PACK OF 10	1
1131	7690851	COVER - POTENTIOMETER	1
1132	2694131	POTENTIOMETER - CURTIS SPEED CONTROL	1
1133	9120225	8-32 X 1/4 SET SCREW - KNURL POINT - ALLOY - PACK OF 10	1
1134	7690881	POTENTIOMETER ARM	1
1135	7691951	ACCELERATOR SPRING SPACER	1
1136	9121350	1/4-20 X 3 HEX HEAD BOLT - PACK OF 3	1
1137	9120930	9/32 I.D. X 5/8 O.D. X .051/.080 THICK SAE FLAT WASHER (1/4) - PACK OF 10	1
1138	7690833	PEDAL - ACCELERATOR	1

ACCELERATOR PEDAL ASSEMBLY

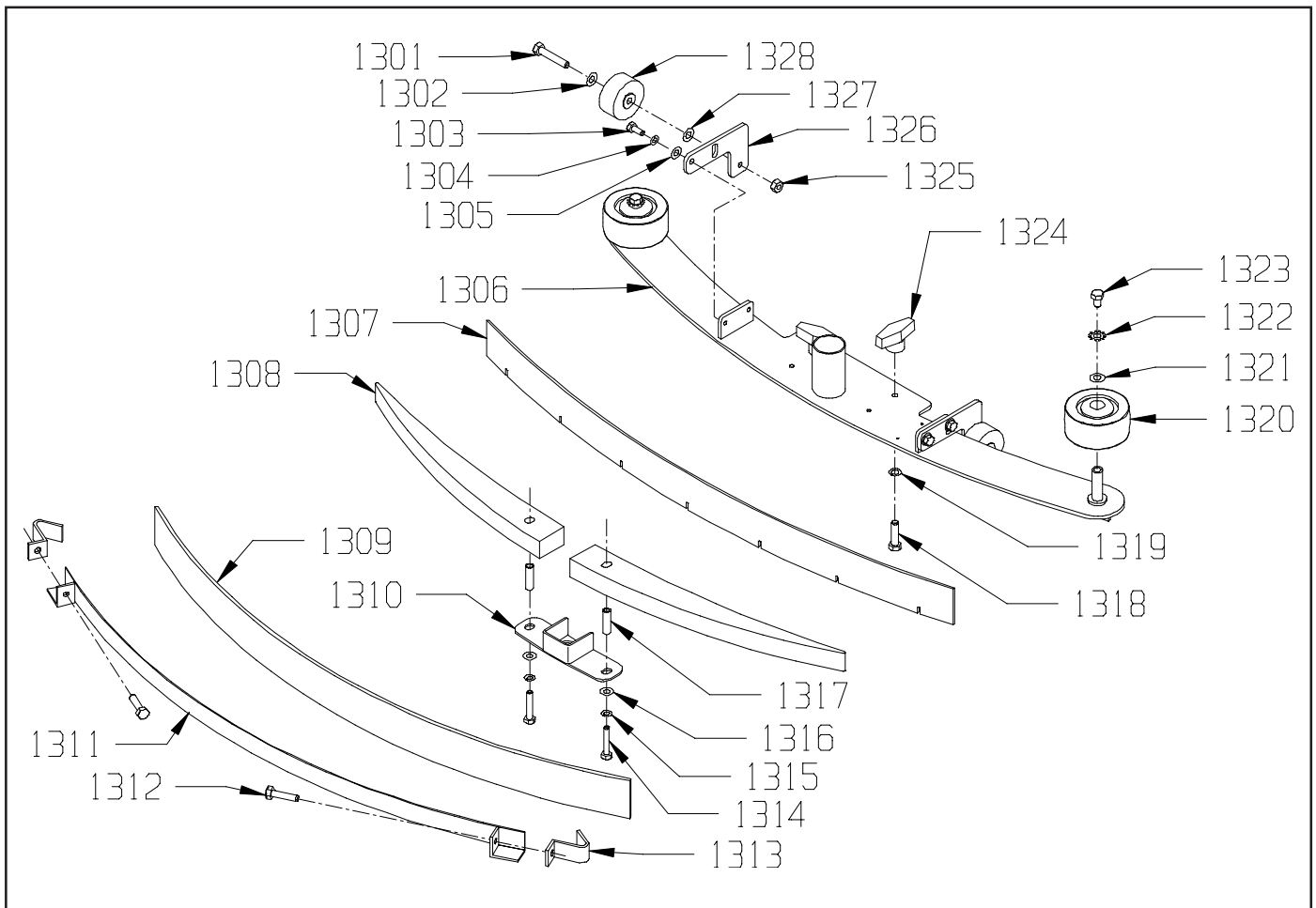


CURVED SQUEEGEE ASSEMBLY 7693169



ITEM	PART NO.	DESCRIPTION	QTY.
	7693169	CHAMP 29 CURVED SQUEEGEE ASSEMBLY 37" LONG - INCLUDES:	1
1201	9121560	5/16-18 X 1/2 HEX BOLT - PACK OF 5	2
1202	9121410	5/16 EXTERNAL STAR LOCK WASHER - PACK OF 10	2
1203	9121390	11/32 I.D. X 11/16 O.D. X .051/.080 THICK SAE FLAT WASHER (5/16)-PK-10	2
1204	2790281	3" BUMPER WHEEL	2
1205	7693151	MAIN SQUEEGEE HOUSING	1
1206	2492521	FRONT SQUEEGEE BLADE	1
1207	2492511	CENTER WEDGE	2
1208	7693171	REAR SQUEEGEE BLADE - LINATEX	1
1209	2492591	CENTER HOLD DOWN SPACER	2
1210	2492541	WEDGY CONTAINMENT BRACKET	1
1211	2492551	BLADE SECURING STRAP	1
1212	9121720	5/16-18 X 1 1/4 HEX HEAD FULL THREADED BOLT - PACK OF 2	2
1213	2492561	HOOKED END	2
1214	9121280	1/4-20 X 1 1/2 HEX BOLT - PACK OF 5	2
1215	9120880	1/4 SPLIT LOCK WASHER - PACK OF 10	2
1216	9120930	9/32 I.D. X 5/8 O.D. X .051/.080 THICK SAE FLAT WASHER (1/4)-PK-10	2
1217	9121720	5/16-18 X 1 1/4 HEX HEAD FULL THREADED BOLT - PACK OF 2	2
1218	9121520	5/16 SPLIT LOCK WASHER - PACK OF 10	2
1219	9121450	5/16-18 HEX NUT WITH NY-LOK INSERT - PACK OF 5	2
1220	9121760	5/16-18 X 1 3/4 HEX BOLT - PACK OF 2	2
1221	9121390	11/32 I.D. X 11/16 O.D. X .051/.080 THICK SAE FLAT WASHER (5/16)-PK-10	4
1222	3096741	ROLLER WHEEL	2
1223	9121210	1/4-20 X 5/8 HEX BOLT - PACK OF 10	4
1224	9120880	1/4 SPLIT LOCK WASHER - PACK OF 10	4
1225	9120930	9/32 I.D. X 5/8 O.D. X .051/.080 THICK SAE FLAT WASHER (1/4)-PK-10	4
1226	2492571	DOLLY WHEEL MOUNTING BRACKET	2
1227	9120030	#6 SPLIT LOCK WASHER - PACK OF 10	2
1228	9120070	6-32 X 3/8 ROUND HEAD PHILLIPS MACHINE SCREW - PACK OF 10	2
1229	2492581	SQUEEGEE LEVEL	1
1230	3392971	T-KNOB - SQUEEGEE	2

OPTIONAL CURVED SQUEEGEE ASSEMBLY 7694409

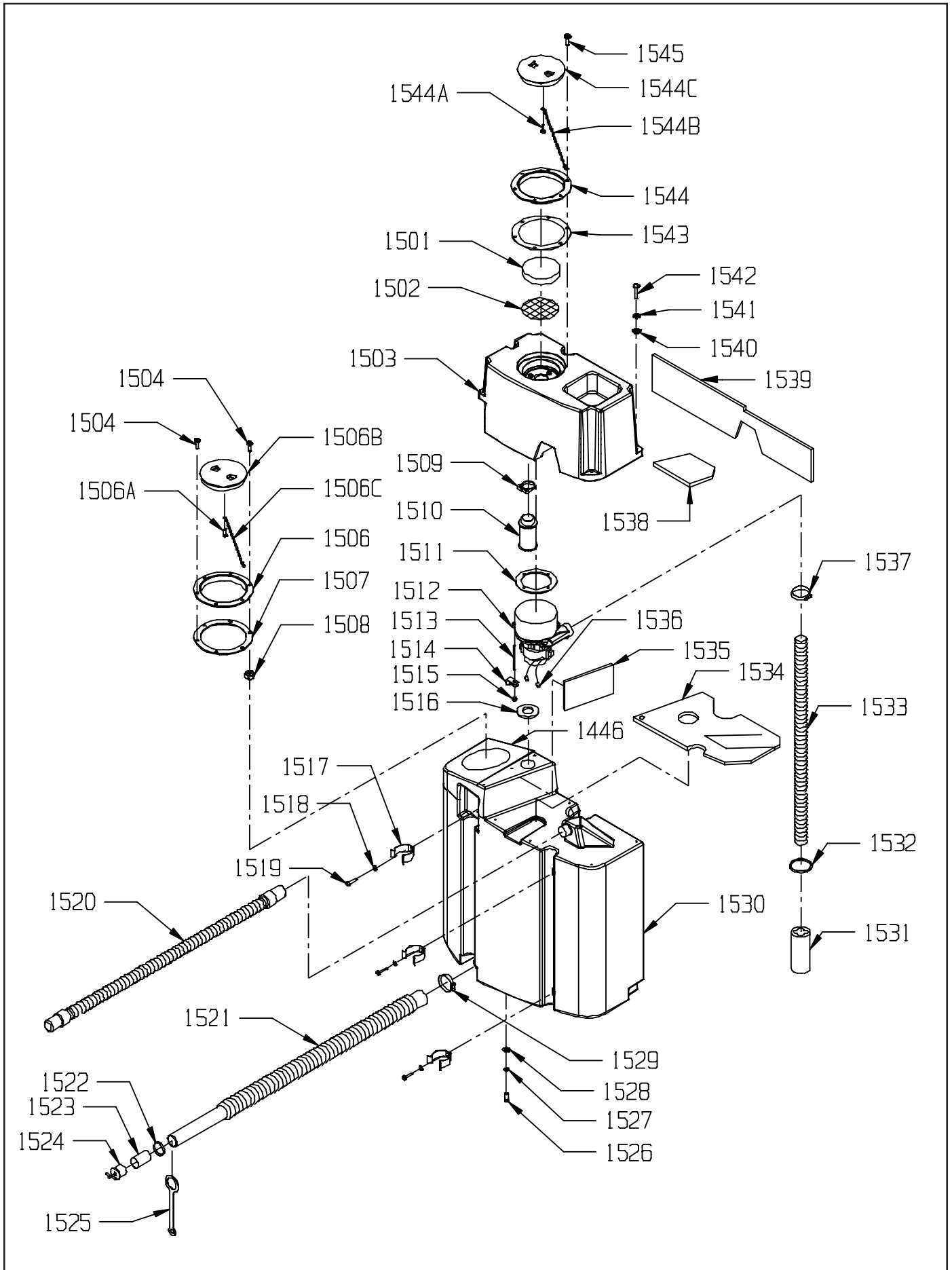


<u>ITEM</u>	<u>PART NO.</u>	<u>DESCRIPTION</u>	<u>QTY.</u>
	7694409	CURVED SQUEEGEE ASSEMBLY - INCLUDES:	1
1301	9121760	5/16-18 X 1 3/4 HEX BOLT - PACK OF 2	2
1302	9121390	11/32 I.D. X 11/16 O.D. X .051/.080 THICK SAE FLAT WASHER (5/16)-PK-10	2
1303	9121210	1/4-20 X 5/8 HEX BOLT - PACK OF 10	4
1304	9120880	1/4 SPLIT LOCK WASHER - PACK OF 10	4
1305	9120930	9/32 I.D. X 5/8 O.D. X .051/.080 THICK SAE FLAT WASHER (1/4)-PK-10	4
1306	7694413	SQUEEGEE HOUSING	1
1307	7694421	FRONT SQUEEGEE BLADE	1
1308	7694441	WEDGY	2
1309	7694461	REAR SQUEEGEE BLADE - LINATEX	1
1310	7694471	WEDGY CONTAINMENT BRACKET	1
1311	7694451	BLADE SECURING STRAP	1
1312	9121720	5/16-18 X 1 1/4 HEX HEAD FULL THREADED BOLT - PACK OF 2	2
1313	2492561	HOOKED END	2
1314	9121280	1/4-20 X 1 1/2 HEX BOLT - PACK OF 5	2
1315	9120880	1/4 SPLIT LOCK WASHER - PACK OF 10	2
1316	9120930	9/32 I.D. X 5/8 O.D. X .051/.080 THICK SAE FLAT WASHER (1/4)-PK-10	2
1317	2492591	CENTER HOLD DOWN SPACER	2
1318	9121720	5/16-18 X 1 1/4 HEX HEAD FULL THREADED BOLT - PACK OF 2	2
1319	9121520	5/16 SPLIT LOCK WASHER - PACK OF 10	2
1320	2790281	BUMPER WHEEL	2
1321	9121390	11/32 I.D. X 11/16 O.D. X .051/.080 THICK SAE FLAT WASHER (5/16)-PK-10	2
1322	9121410	5/16 EXTERNAL STAR LOCK WASHER - PACK OF 10	2
1323	9121560	5/16-18 X 1/2 HEX BOLT - PACK OF 5	2
1324	3392971	T-KNOB - SQUEEGEE	2
1325	9121450	5/16-18 HEX NUT WITH NY-LOK INSERT - PACK OF 5	2
1326	2492571	DOLLY WHEEL MOUNTING BRACKET	2
1327	9121390	11/32 I.D. X 11/16 O.D. X .051/.080 THICK SAE FLAT WASHER (5/16)-PK-10	2
1328	3096741	ROLLER WHEEL	2

<u>ITEM</u>	<u>PART NO.</u>	<u>DESCRIPTION</u>	<u>QTY.</u>
1401	8791180	HOSE - VINYL 1/2" I.D. X 3/4" O.D. (CUT TO 18")	1.5
	8791180	HOSE - VINYL 1/2" I.D. X 3/4" O.D. (CUT TO 2") (SIDEKICK ONLY)	.2
1402	8791180	HOSE - VINYL 1/2" I.D. X 3/4" O.D. (CUT TO 2")	.2
1403	7691371	TEE - 3/8 X 3/8 X 1/2	1
1404	8791070	HOSE - VINYL 3/8" I.D. X 1/2" O.D. (CUT TO 12")	1
1405	7690491	#6 HAIR COTTER PIN	1
1406	9120510	10-24 X 1/2 TRUSS HEAD PHILLIPS MACHINE SCREW - PACK OF 10	6
1407	7690481	SKIRT MOUNT BRACKET - LEFT HAND	1
1408	7690271	SIDE SKIRT BLADE - LEFT HAND	1
1409	7690311	3/8" DIAMETER X 2.505" LONG CLEVIS PIN	1
1410	7692631	90 DEGREE SOLUTION FEED TUBE	2
1411	7690281	SIDE SKIRT STRAP - LEFT HAND	1
1412	7690263	LEFT SIDE SKIRT	1
1413	9120930	9/32 I.D. X 5/8 O.D. X .051/.080 THICK SAE FLAT WASHER (1/4)-PK-10	1
1414	9120900	1/4-20 HEX NUT WITH NY-LOK INSERT - PACK OF 10	1
1415	7691491	PAD DRIVER 15" - INCLUDES:	2
1415B	5990731	SPRING CLIP PAD HOLDER SET	1
1415A	9120140	#6 X 5/8 PAN HEAD PHILLIPS SHEET METAL SCREW	3
1415	7691511	NYLON BRUSH 14" POLY BLOCK (OPTIONAL)	2
	7691521	STRATAGRIT BRUSH 14" POLY BLOCK (OPTIONAL)	2
1416	-----	PAD - SEE ACCESSORIES PAGE FOR TYPES	2
1417	9121680	5/16-18 X 1 HEX BOLT - PACK OF 5	2
1418	9121520	5/16 SPLIT LOCK WASHER - PACK OF 10	2
1419	9121985	13/32 I.D. X 1 O.D. X .12 THICK FLAT WASHER (11 GAGE) - PACK OF 1	2
1420	7691449	LEFT DRIVE CASTING ASSEMBLY	1
	7691459	RIGHT DRIVE CASTING ASSEMBLY	1
	2698072	DRIVE CASTING	2
1420A	2698081	DRIVE LUG	12
1420B	9121090	1/4-20 X 1/2 TRUSS HEAD PHILLIPS MACHINE SCREW - PACK OF 5	2
1420C	2791281	BUSHING SPACER	2
1420D	2790211	DRIVE PLATE LATCH	2
1420E	9122120	3/8 I.D. X 5/8 O.D. X .031 THICK WAVE SPRING WASHER - PACK OF 5	2
1420F	9121520	5/16 SPLIT LOCK WASHER - PACK OF 10	12
1420G	9121680	5/16-18 X 1 HEX BOLT - PACK OF 5	12
1420H	2698061	RUBBER MOUNT	2
1420I	7691382	DRIVE HUB	2
1421	9120827	3/6" SQUARE X 1" LONG KEY - PACK OF 2	2
1422	5092641	RETAINING RING	2
1423	9120510	10-24 X 1/2 TRUSS HEAD PHILLIPS MACHINE SCREW - PACK OF 10	6
1424	7690491	#6 HAIR COTTER PIN	2
1425	7690941	BUMPER WHEEL AXLE	1
1426	2790281	BUMPER WHEEL	1
1427	7690233	RIGHT SIDE SKIRT	1
1428	9122496	RETAINING RING - PACK OF 8	1
1429	7690491	#6 HAIR COTTER PIN	1
1430	9122685	1/2 X 2 7/8 CLEVIS PIN	2
1431	7690241	SIDE SKIRT BLADE - RIGHT HAND	1
1432	7690251	SIDE SKIRT STRAP - RIGHT HAND	1
1433	7690491	#6 HAIR COTTER PIN	1
1434	7690471	SKIRT MOUNT BRACKET - RIGHT HAND	1
1435	9122100	3/8 SPLIT LOCK WASHER - PACK OF 10	4
1436	9122220	3/8-16 X 3/4 HEX BOLT - PACK OF 5	4
1437	7691361	ACTUATOR SPRING GUIDE	1
1438	9120930	9/32 I.D. X 5/8 O.D. X .051/.080 THICK SAE FLAT WASHER (1/4)-PK-10	1
1439	9121270	1/4-20 X 1 HEX BOLT - PACK OF 10	1
1440	7691171	COMPRESSION SPRING	1
1441	3190191	STRING GUARD	1
1442	8791070	HOSE - VINYL 3/8" I.D. X 1/2" O.D. (CUT TO 18")	1.5
1443	7692621	SOLUTION SOLENOID VALVE	1
1444	9120880	1/4 SPLIT LOCK WASHER - PACK OF 10	2
1445	9121170	1/4-20 X 1/2 HEX BOLT - PACK OF 10	2
1446	9590161	TEE FITTING (SIDEKICK ONLY)	1
1447	8791180	HOSE - VINYL 1/2" I.D. X 3/4" O.D. (CUT TO 2") (SIDEKICK ONLY)	.2
1448	3394251	LOW SENSOR WITH CONNECTOR (SIDEKICK ONLY) - INCLUDES:	1
	3394291	CONNECTOR, FEMALE (SIDEKICK ONLY)	1
	3394311	TERMINAL, FEMALE (SIDEKICK ONLY)	3
1449	8791180	HOSE - VINYL 1/2" I.D. X 3/4" O.D.(CUT TO 8 3/8") (SIDEKICK ONLY)	.7
1450	3394281	FITTING, 3/8" FPT X 1/2" O.D. HOSE (SIDEKICK ONLY)	1
1451	9590321	TUBING, 1/4" O.D. NYLON (65" LONG) (SIDEKICK ONLY)	1
1452	9590221	FITTING, JACO, 1/4" NPT X 1/4" O.D. TUBE (SIDEKICK ONLY)	1

<u>ITEM</u>	<u>PART NO.</u>	<u>DESCRIPTION</u>	<u>QTY.</u>
1501	7690791	VAC MOTOR FILTER	1
1502	7690781	VAC MOTOR SCREEN	1
1503	7693861	VAC MOTOR COVER	1
1504	9120450	10-24 X 1 ROUND HEAD PHILLIPS MACHINE SCREW - PACK OF 10	1
1505	9120790	10 X 5/8 PAN HEAD PHILLIPS SHEET METAL SCREW - PACK OF 10	5
1506	2690881	RECOVERY TANK LID ASSEMBLY	1
	2690921	BLACK RING, RECOVERY TANK	1
1506A	9120205	#8 X 1/2 PAN HEAD PHILLIPS SHEET METAL SCREW - PK OF 3	1
1506B	2690911	LID - CLEAR, RECOVERY TANK	1
1506C	2690931	LID CHAIN, RECOVERY TANK	1
1507	2690891	RECOVERY TANK LID GASKET	1
1508	9120350	10-24 HEX NUT WITH NY-LOK INSERT	1
1509	4894081	NYLON HOSE CLAMP - 1 19/32" TO 1 13/16" DIAMETER	1
1510	2391541	FLOAT SCREEN ASSEMBLY	1
1511	2490561	GASKET - VAC MOTOR	1
1512	2690551	VAC MOTOR, 36 VOLT	1
	2792571	REPLACEMENT CARBON BRUSH	2
1513	9121363	1/4-20 X 4 1/2" FULLY THREADED STUD - PACK OF 2	3
1514	4890851	CABLE CLAMP	1
	9120930	9/32 I.D. X 5/8 O.D. X .051/0080 THICK SAE FLAT WASHER (1/4)-PK-10	2
1515	9121360	1/4-20 HEX NUT WITH NY-LOK INSERT - PACK OF 2	3
1516	7691351	GASKET - 1 1/2" I.D. X 3" O.D.	1
1517	7691921	SPRING CLIP - HOSE	3
1518	9120030	#6 SPLIT LOCK WASHER - PACK OF 10	6
1519	9120070	6-32 X 3/8 ROUND HEAD PHILLIPS MACHINE SCREW - PACK OF 10	6
1520	7690951	VACUUM HOSE WITH CUFFS	1
1521	2391671	DRAIN HOSE, CRUSHPROOF	1
1522	2393451	TUBE HOSE CLAMP - CRIMP TYPE	1
1523	2391661	HOSE TUBE	1
1524	2795621	DRAIN PLUG	1
1525	2791881	PLUG STRAP	1
1526	9122220	3/8-16 X 3/4 HEX HEAD BOLT - PACK OF 10	2
1527	9122100	3/8 SPLIT LOCK WASHER - PACK OF 10	2
1528	9121400	3/8 I.D. X 7/8 O.D. X .064/.104 THICK WROUGHT WASHER (5/16)-PK-10	2
1529	4495441	HOSE CLAMP - 1 9/16" TO 2 1/2" DIAMETER	1
1530	7690021	RECOVERY TANK	1
1531	7691261	EXHAUST MUFFLER TUBE	1
1532	9123000	1/8 X 11" WIRE TIE - PACK OF 5	1
1533	7693901	FLEXIBLE VACUUM MOTOR DISCHARGE HOSE	1
1534	7693841	VAC COVER INSULATION - BOTTOM	1
1535	7693871	VAC COVER INSULATION - SIDE - SMALL	1
1536	2690581	1/4 SPADE MALE TERMINAL 10 X 12 YELLOW	2
1537	4495441	HOSE CLAMP - 1 9/16" TO 2 1/2" DIAMETER	1
1538	7693891	VAC COVER INSULATION - TOP	1
1539	7693881	VAC COVER INSULATION - SIDE - LARGE	1
1540	9120933	.250 I.D. X .875 O.D. X .075 THICK FLAT WASHER - PACK OF 6	6
1541	9120330	#10 EXTERNAL STAR LOCK WASHER - PACK OF 10	6
1542	9120535	10-24 X 1 1/2 TRUSS HEAD PHILLIPS MACHINE SCREW - PACK OF 5	6
1543	2690891	RECOVERY TANK LID GASKET	1
1544	2690881	RECOVERY TANK LID ASSEMBLY	1
	2690921	BLACK RING, RECOVERY TANK	1
1544A	9120205	#8 X 1/2 PAN HEAD PHILLIPS SHEET METAL SCREW - PACK OF 3	1
1544B	2690931	LID CHAIN, RECOVERY TANK	1
1544C	2690911	LID - CLEAR, RECOVERY TANK	1
1545	9120790	10 X 5/8 PAN HEAD PHILLIPS SHEET METAL SCREW - PACK OF 10	7
1546	8891180	GASKET - 1" X 1/4" NEOPRENE	2

RECOVERY TANK



NOTES

NOTES

ACCESSORIES



7991501, 7991521
7991541, 7991551



7691839

7691829



7692181



7692141



2691501, 3390361,
7691401, 3390981,
3390991

PART NO.

DESCRIPTION

- 7991501 15" BLACK STRIP PAD - CASE 5
- 7991521 15" GREEN SCRUB PAD - CASE 5
- 7991541 15" UHS CLEANBUFF PAD - CASE 5
- 7991551 15" LITE BLUE FINISH PAD - CASE 5
- 7990021 15" GREEN ECOSTRIP PAD - CASE 10
- 7691839 HEADLIGHT KIT
- 7691829 OVERHEAD LIGHT KIT
- 2691501 BATTERY - 325 AMP HOUR - 6 VOLT DC - WET
- 3390361 BATTERY - 225 AMP HOUR - 6 VOLT DC - WET
- 7691401 BATTERY - 395 AMP HOUR - 6 VOLT DC - WET
- 3390981 BATTERY - 225 AMP HOUR - 6 VOLT DC - AGM
- 3390991 BATTERY - 305 AMP HOUR - 6 VOLT DC - AGM
- 7692141 AUTO FILL BATTERY SYSTEM
- 7692181 LOW WATER BATTERY ALARM
- 7694071 OFF BOARD CHARGER ADAPTOR
- 7694309 VAC MOTOR, 36VOLT
- 2392129 WET PICKUP KIT, INCLUDES:
 - 2291211 5" CONNECTOR, ALUMINUM
 - 2391231 VACUUM HOSE, 7 FOOT
 - 5797011 15" TOOL - SQUEEGEE WITH WHEELS
 - 5790469 STEEL WAND, 2 PIECE
- 2392179 BRUSH / SQUEEGEE KIT, INCLUDES:
 - 2291211 5" CONNECTOR, ALUMINUM
 - 2290209 STEEL WAND, 1 PIECE
 - 2391231 VACUUM HOSE, 7 FOOT
 - 3097849 14" BRUSH / SQUEEGEE TOOL
- 7691881 SLIP RESISTANT 12 X 3 1/2 WHEEL

TWISTER PADS

- 7991601 15" TWISTER STARTER KIT
- 7991051 15" TWISTER RED PAD
- 7991591 15" TWISTER WHITE PAD
- 7991571 15" TWISTER YELLOW PAD
- 7991561 15" TWISTER GREEN PAD



2392129



7694309



2392179



NSS ® Enterprises, Inc.

3115 Frenchmens Road, Toledo, Ohio 43607
 PHONE (419) 531-2121 FAX (419) 531-3761
NSS® Enterprises, Inc. European Distribution Centre
 Unit II, Pinfold Trading Estate * 55 Nottingham Road
 STAPLEFORD, NOTTINGHAM NG9 8AD ENGLAND U.K.
 PHONE: (44) 0115 939 1568 * FAX: (44) 0115 949 0615