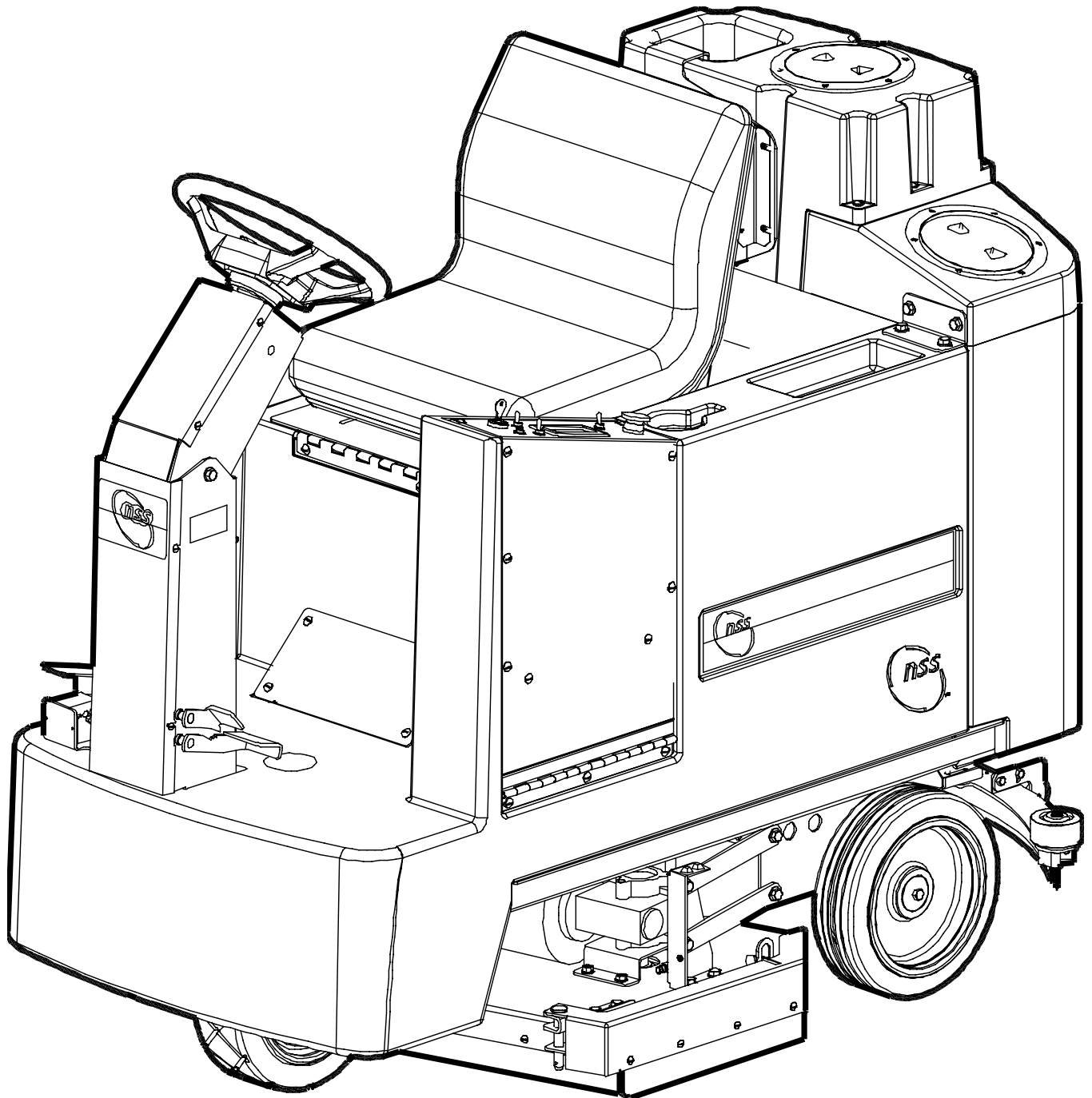
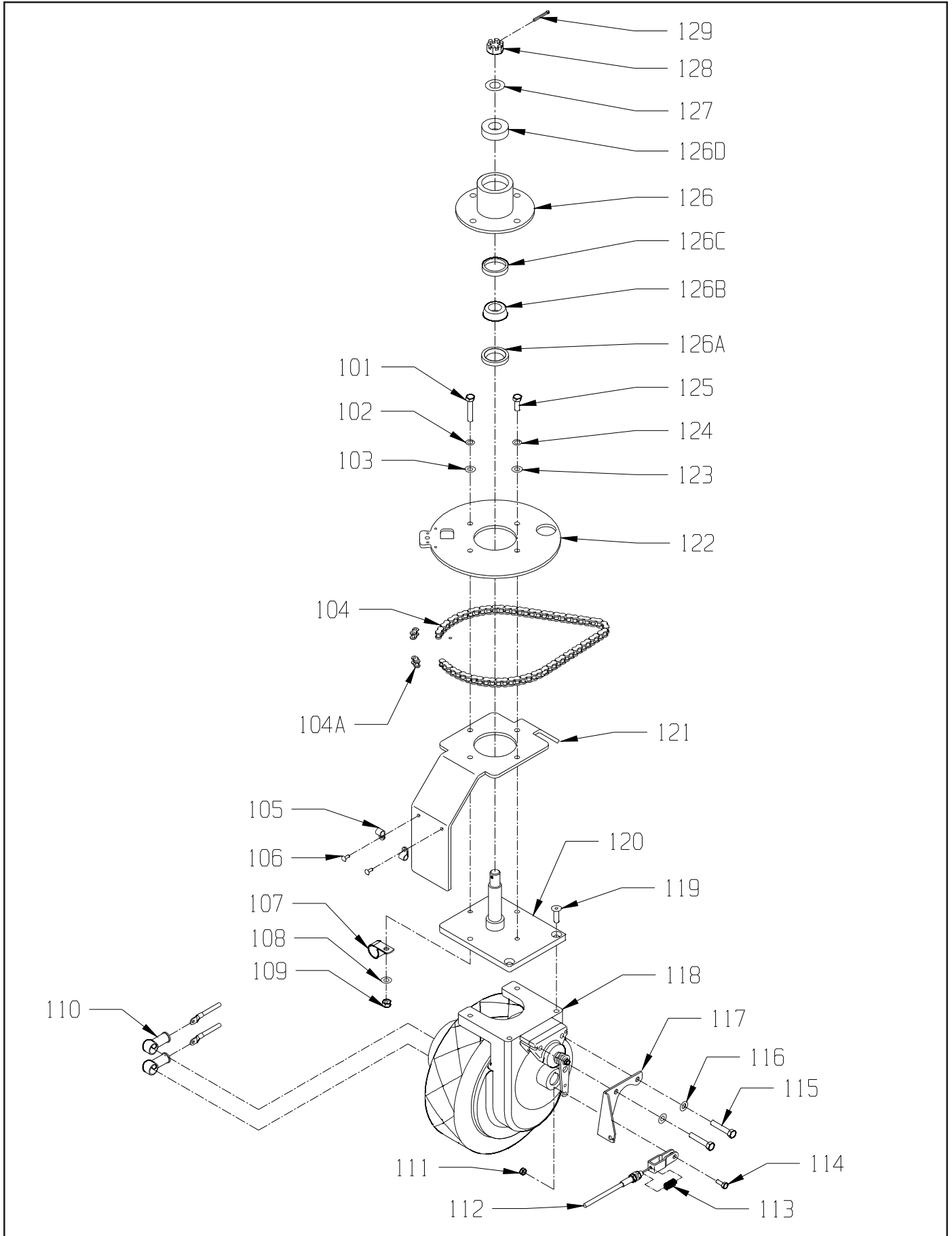


PARTS LIST
CHAMP 3329 RB



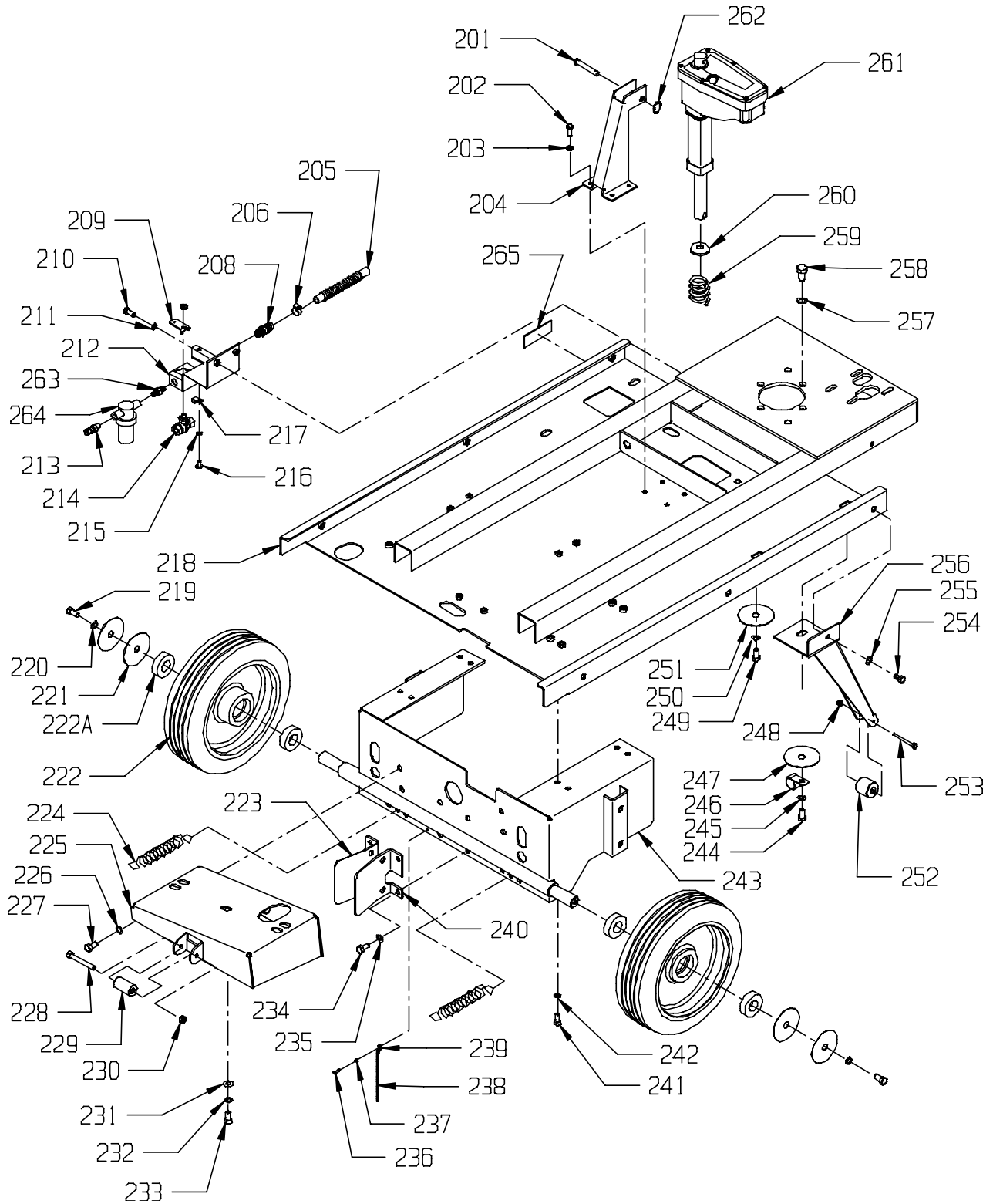
<u>ITEM</u>	<u>PART NO.</u>	<u>DESCRIPTION</u>	<u>QTY.</u>
101	9122343	3/8-16 X 2 HEX HEAD FULL THREADED BOLT - PACK OF 1	3
102	9122100	3/8 SPLIT LOCK WASHER - PACK OF 10	3
103	9121400	3/8 I.D. X 7/8 O.D. X .064/.104 THICK WROUGHT WASHER (5/16) - PACK OF 10	3
104	7691259	CHAIN KIT - CHAIN WITH TWO MASTERS - INCLUDES:	1
	2790341	ROLLER CHAIN 67 LINKS WITHOUT MASTER	1
104A	2795211	LINK - MASTER #40 CHAIN NICKEL	2
105	5294201	NYLON CABLE CLAMP	2
106	9120510	10-24 X 1/2 TRUSS HEAD PHILLIPS MACHINE SCREW - PACK OF 10	2
107	2395761	CLAMP, TUBE	1
108	9121400	3/8 I.D. X 7/8 O.D. X .064/.104 THICK WROUGHT WASHER (5/16) - PACK OF 10	1
109	9122140	3/8-16 HEX NUT WITH NY-LOK INSERT - PACK OF 5	1
110	6492051	STUD TERMINAL BOOT - RUBBER	2
111	9120900	1/4-20 HEX NUT WITH NY-LOK INSERT - PACK OF 10	1
112	7690971	BRAKE CABLE	1
113	3695581	HEIGHT ADJUSTING SPRING	1
114	9121250	1/4-20 X 3/4 HEX BOLT - PACK OF 10	1
115	9122371	3/8-24 X 2 1/8 HEX BOLT - PACK OF 1	2
116	9121400	3/8 I.D. X 7/8 O.D. X .064/.104 THICK WROUGHT WASHER (5/16) - PACK OF 10	2
117	7694221	LOWER BRAKE CABLE BRACKET	1
118	7690071	12 X 4 DRIVE WHEEL - INCLUDES:	1
	7692061	WHEEL / TIRE	1
	7692439	WHEEL BOLTS	10
	7692121	DRIVE MOTOR	1
	7692051	DRIVE MOTOR CARBON BRUSH KIT	1
	7692081	BRAKE ROTOR	1
	7692071	BRAKE CALAPER	1
119	9122323	3/8-16 X 1 1/4 FLAT HEAD SOCKET CAP SCREW - PACK OF 2	2
120	7690581	STEERING YOKE	1
121	7690563	FENDER / TOW HOOK / SPACER	1
122	7690571	DRIVEN SPROCKET - STEERING	1
123	9121400	3/8 I.D. X 7/8 O.D. X .064/.104 THICK WROUGHT WASHER (5/16) - PACK OF 10	1
124	9122100	3/8 SPLIT LOCK WASHER - PACK OF 10	1
125	9122300	3/8-16 X 1 1/4 HEX BOLT - PACK OF 2	1
126	7690509	BEARING BLOCK - STEERING ASSEMBLY - INCLUDES:	1
126A	7690591	SEAL - STEERING	1
126B	7690671	BEARING CONE - STEERING BOTTOM	1
126C	7690681	BEARING CUP - STEERING BOTTOM	1
126D	2790311	BEARING, BOTTOM END	1
127	9123105	3/4 I.D. X 1 1/4 O.D. X .071/.082 THICK FLAT WASHER (11 GAGE) - PACK OF 5	1
128	9123100	3/4-16 HEX SLOTTED NUT - STEEL - PACK OF 2	1
129	9120314	1/8 X 1 1/4 COTTER PIN - STEEL - PACK OF 5	1

DRIVE WHEEL ASSEMBLY



ITEM	PART NO.	DESCRIPTION	QTY
201	7690311	3/8" DIAMETER X 2.505 LONG CLEVIS PIN - PACK OF 1	1
202	9121210	1/4-20 X 5/8 HEX BOLT - PACK OF 10	4
203	9120880	1/4 SPLIT LOCK WASHER - PACK OF 10	4
204	7690301	BRUSH ACTUATOR BRACKET	1
205	7693781	6 1/2 X 3/4 CONVOLUTED HOSE	1
206	7693811	HOSE CLAMP 9/16" TO 1 1/16"	1
208	7695161	3/4 HOSE BARB X 1/4 MPT FITTING	1
209	7691041	VALVE LEVER	1
210	9121600	5/16-18 X 5/8 HEX BOLT - PACK OF 5	2
211	9121520	5/16 SPLIT LOCK WASHER - PACK OF 10	2
212	7691031	SOLUTION VALVE HANGER	1
213	2495161	1/2 HOSE BARB X 1/4 MPT	1
214	2397961	SOLUTION VALVE	1
215	9120370	7/32 I.D. X 1/2 O.D. X .032/.065 THICK SAE FLAT WASHER (#10) - PACK OF 10	1
216	9120510	10-24 X 1/2 TRUSS HEAD PHILLIPS MACHINE SCREW - PACK OF 10	1
217	7691061	CONDUIT CLAMP	1
218	7693931	MAIN FRAME - CHAMP 35	1
219	9122220	3/8-16 X 3/4 HEX BOLT - PACK OF 5	2
220	9122100	3/8 SPLIT LOCK WASHER - PACK OF 10	2
221	9122110	3/8 X 1 1/2 FENDER WASHER - PACK OF 10	4
222	7690081	12 X 3 WHEEL - INCLUDES:	2
222A	2790311	BEARING, BOTTOM END	2
223	7693731	LEFT HAND SQUEEGEE MOUNT / STOP BRACKET	1
224	7690291	EXTENSION SPRING, SQUEEGEE	2
225	7694013	MOUNTING BRACKET - LOWER RECOVERY TANK	1
226	9122100	3/8 SPLIT LOCK WASHER - PACK OF 10	4
227	9122220	3/8-16 X 3/4 HEX BOLT - PACK OF 5	4
228	9122350	3/8-16 X 3 HEX BOLT - PACK OF 1	1
229	7690811	GUIDE	1
230	9122140	3/8-16 HEX NUT WITH NY-LOK INSERT - PACK OF 5	1
231	9121400	3/8 I.D. X 7/8 O.D. X .064/.104 THICK WROUGHT WASHER (5/16) - PACK OF 10	2
232	9122100	3/8 SPLIT LOCK WASHER - PACK OF 10	2
233	9122220	3/8-16 X 3/4 HEX BOLT - PACK OF 5	2
234	9122220	3/8-16 X 3/4 HEX BOLT - PACK OF 5	4
235	9122100	3/8 SPLIT LOCK WASHER - PACK OF 10	4
236	9120380	10-24 X 3/8 ROUND HEAD PHILLIPS MACHINE SCREW - PACK OF 10	1
237	9120320	#10 SPLIT LOCK WASHER - PACK OF 10	1
238	6491860	ROUND BEAD CHAIN (CUT TO 6")	0.5
239	6491871	END COUPLING - ROUND BEAD CHAIN	1
240	7693721	RIGHT HAND SQUEEGEE MOUNT / STOP BRACKET	1
241	9122220	3/8-16 X 3/4 HEX BOLT - PACK OF 5	8
242	9122100	3/8 SPLIT LOCK WASHER - PACK OF 10	8
243	7693713	AXLE BRACKET	1
244	9122260	3/8-16 X 1 HEX BOLT - PACK OF 2	1
245	9122100	3/8 SPLIT LOCK WASHER - PACK OF 10	1
246	2395761	CLAMP, TUBE	1
247	9122110	3/8 X 1 1/2 FENDER WASHER - PACK OF 10	1
248	9120900	1/4-20 HEX NUT WITH NY-LOK INSERT PACK OF 10	2
249	9122220	3/8-16 X 3/4 HEX BOLT - PACK OF 5	3
250	9122100	3/8 SPLIT LOCK WASHER - PACK OF 10	3
251	9122110	3/8 X 1 1/2 FENDER WASHER - PACK OF 10	3
252	1390321	ROLLER	2
253	9121287	1/4-20 X 2 1/2 HEX BOLT - PACK OF 2	2
254	9122220	3/8-16 X 3/4 HEX BOLT - PACK OF 5	2
255	9122100	3/8 SPLIT LOCK WASHER - PACK OF 10	2
256	7692353	RIGHT ROLLER LEG	1
	7692363	LEFT ROLLER LEG	1
257	9122420	1/2 SPLIT LOCK WASHER - PACK OF 5	4
258	9122500	1/2-13 X 7/8 HEX BOLT - PACK OF 2	4
259	7693641	COMPRESSION SPRING	1
260	3190191	STRING GUARD-PLATED	1
261	7690549	BRUSH / SQUEEGEE ACTUATOR KIT	1
	7692209	ACTUATOR LIMIT SWITCH KIT	1
262	7690491	#6 HAIR COTTER PIN	1

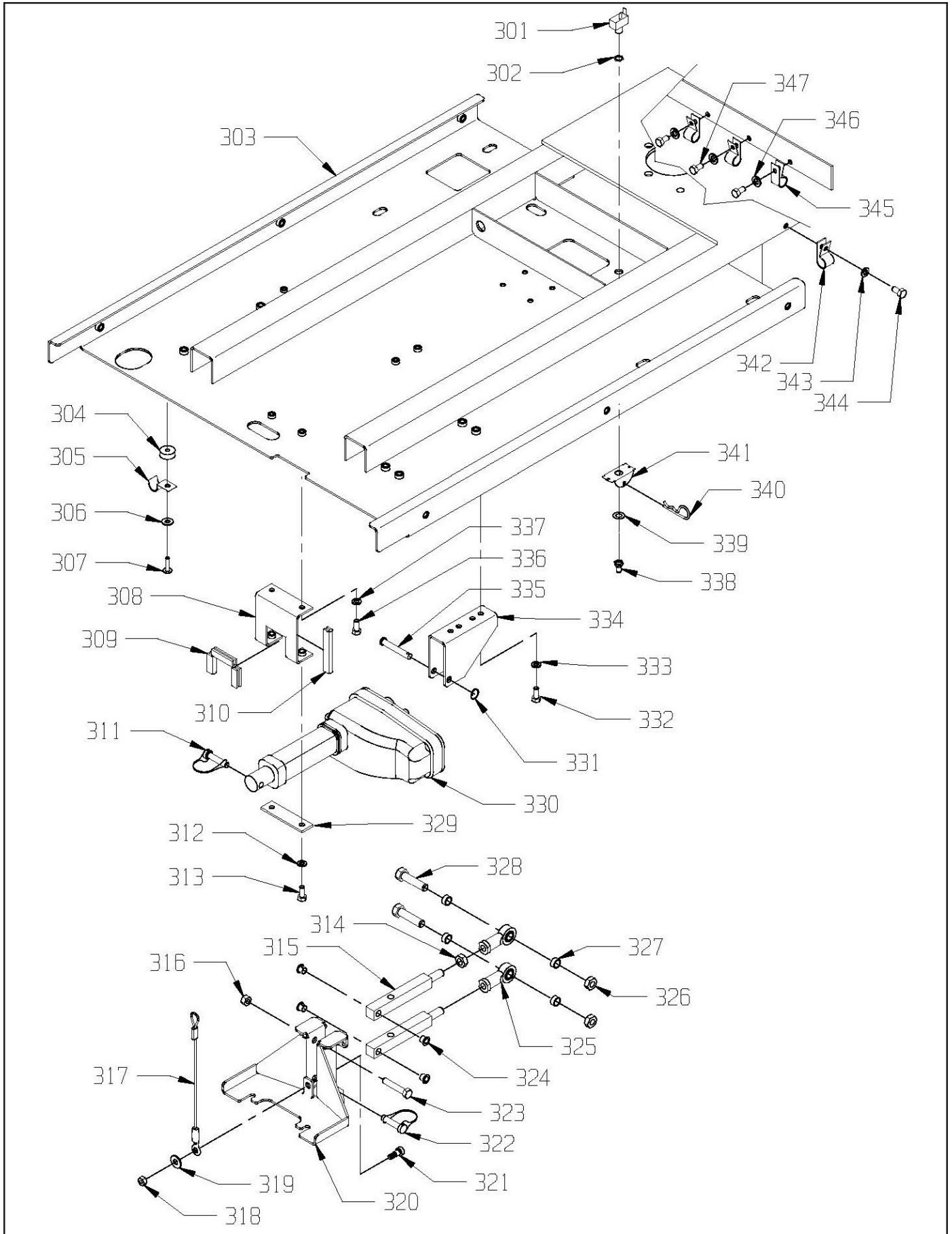
CHASSIS ASSEMBLY



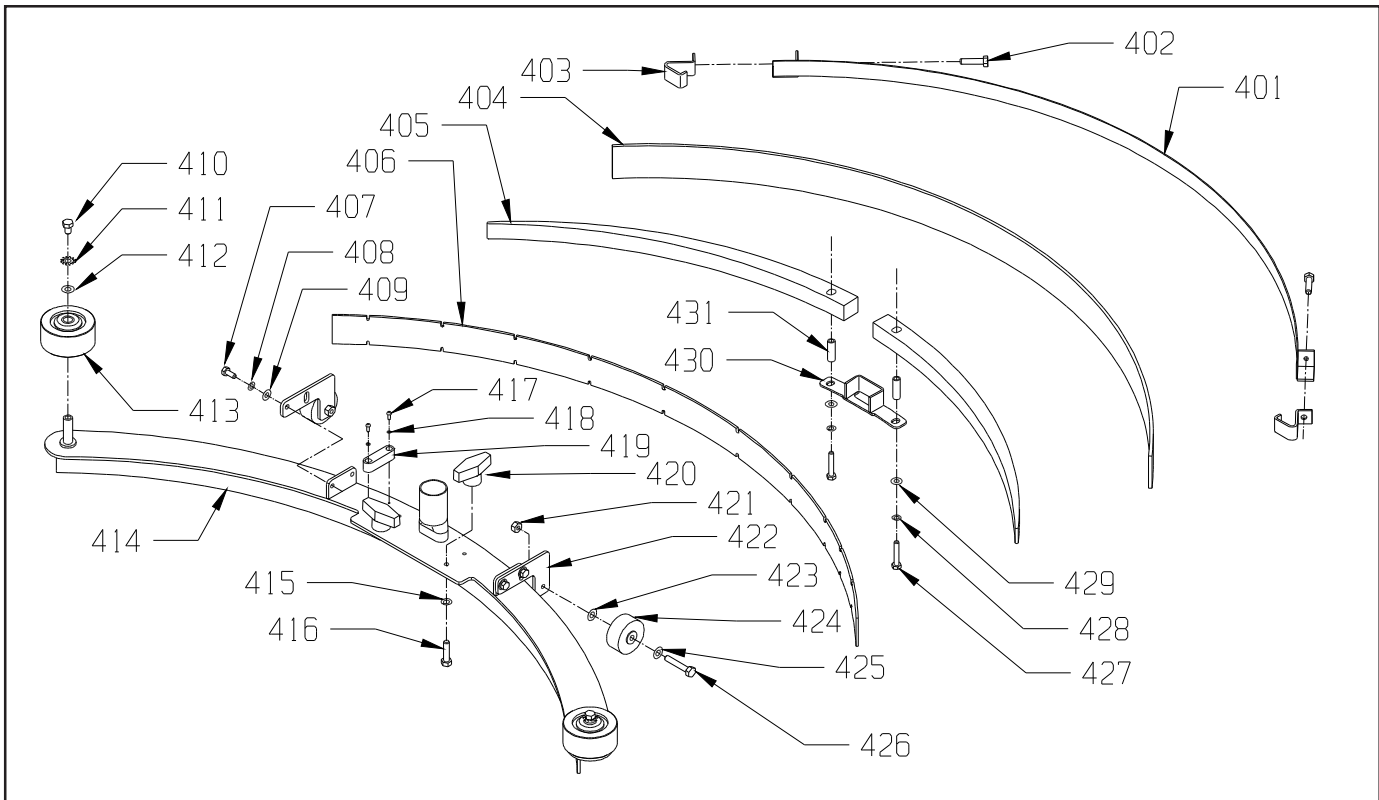
ITEM	PART NO.	DESCRIPTION	QTY
263	3891941	1/4 NPT HEX NIPPLE	1
264	3393551	INLINE CANISTER STRAINER	1
264A	3393611	STRAINER ELEMENT	1
264B	3393621	GASKET	1
265	3393591	STRAINER LOCATION LABEL	1

<u>ITEM</u>	<u>PART NO.</u>	<u>DESCRIPTION</u>	<u>QTY.</u>
301	3390411	FORWARD - REVERSE SWITCH	1
302	0798821	5/8" HEX NUT (LARGE NUT)	1
303	7693931	MAIN FRAME	1
304	7691361	ACTUATOR SPRING GUIDE	1
305	2690971	HOSE CLIP	1
306	9120930	9/32 I.D. X 5/8 O.D. X .051/.080 THICK SAE FLAT WASHER (1/4) - PACK OF 10	1
307	9121270	1/4-20 X 1 HEX BOLT - PACK OF 10	1
308	7690191	ACTUATOR MOUNT - REAR	1
309	9997590	METAL CORE QUICKEDGE TRIM (CUT TO 2.5", 2.75", 2.5")	.6
310	9997600	METAL CORE QUICKEDGE TRIM (CUT TO 3")	.3
311	9121950	3/8 X 1 5/8 CLEVIS PIN WITH RETAINER - PACK OF 1	1
312	9121520	5/16 SPLIT LOCK WASHER - PACK OF 10	2
313	9121640	5/16-18 X 3/4 HEX BOLT - PACK OF 5	2
314	9122670	1/2-20 HEX JAM NUT - PACK OF 5	1
315	1390156	SQUEEGEE SHAFT	2
316	9122140	3/8-16 HEX NUT WITH NY-LOK INSERT - PACK OF 5	1
317	7691071	SQUEEGEE LIFT CABLE	1
318	9121450	5/16-18 HEX NUT WITH NY-LOK INSERT - PACK OF 5	1
319	9121400	3/8 I.D. X 7/8 O.D. X .064/.104 THICK WROUGHT WASHER (5/16) - PACK OF 10	1
320	7693831	SQUEEGEE BRACKET	1
321	9122020	3/8 DIA. X 3/8 LONG SOCKET HEAD SHOULDER BOLT 5/16-18 - PACK OF 1	1
322	9121950	3/8 X 1 5/8 CLEVIS PIN WITH RETAINER - PACK OF 1	1
323	9122340	3/8-16 X 2 HEX BOLT - PACK OF 2	1
324	1391171	3/8 FLANGE NYLINER	4
325	2391941	BALL JOINT	2
326	9122495	1/2-13 HEX NUT WITH NY-LOK INSERT - THIN - PACK OF 1	2
327	2391461	BUSHING - LIFT LEVER	4
328	9122580	1/2-13 X 2 HEX BOLT - PACK OF 1	2
329	7690201	ACTUATOR MOUNT CLAMP	1
330	7690549	BRUSH / SQUEEGEE ACTUATOR KIT	1
	7692209	ACTUATOR LIMIT SWITCH KIT	1
331	7690491	#6 HAIR COTTER PIN	1
332	9121640	5/16-18 X 3/4 HEX BOLT - PACK OF 5	2
333	9121520	5/16 SPLIT LOCK WASHER - PACK OF 10	2
334	7694061	FRONT MOUNT - SQUEEGEE ACTUATOR	1
335	7690311	3/8" DIAMETER X 2.505" LONG CLEVIS PIN	1
336	9121640	5/16-18 X 3/4 HEX BOLT - PACK OF 5	2
337	9121520	5/16 SPLIT LOCK WASHER - PACK OF 10	2
338	0693141	RUBBER SWITCH BOOT	1
339	0691851	1/2" INTERNAL STAR LOCK WASHER	1
340	7690491	#6 HAIR COTTER PIN	1
341	7691791	SWITCH GUARD	1
342	2395761	CLAMP, TUBE	1
343	9120880	1/4 SPLIT LOCK WASHER - PACK OF 10	1
344	9121210	1/4-20 X 5/8 HEX BOLT - PACK OF 10	1
345	3291111	CORD CLAMP	3
346	9120880	1/4 SPLIT LOCK WASHER - PACK OF 10	3
347	9121210	1/4-20 X 5/8 HEX BOLT - PACK OF 10	3

SQUEEGEE ACTUATOR ASSEMBLY

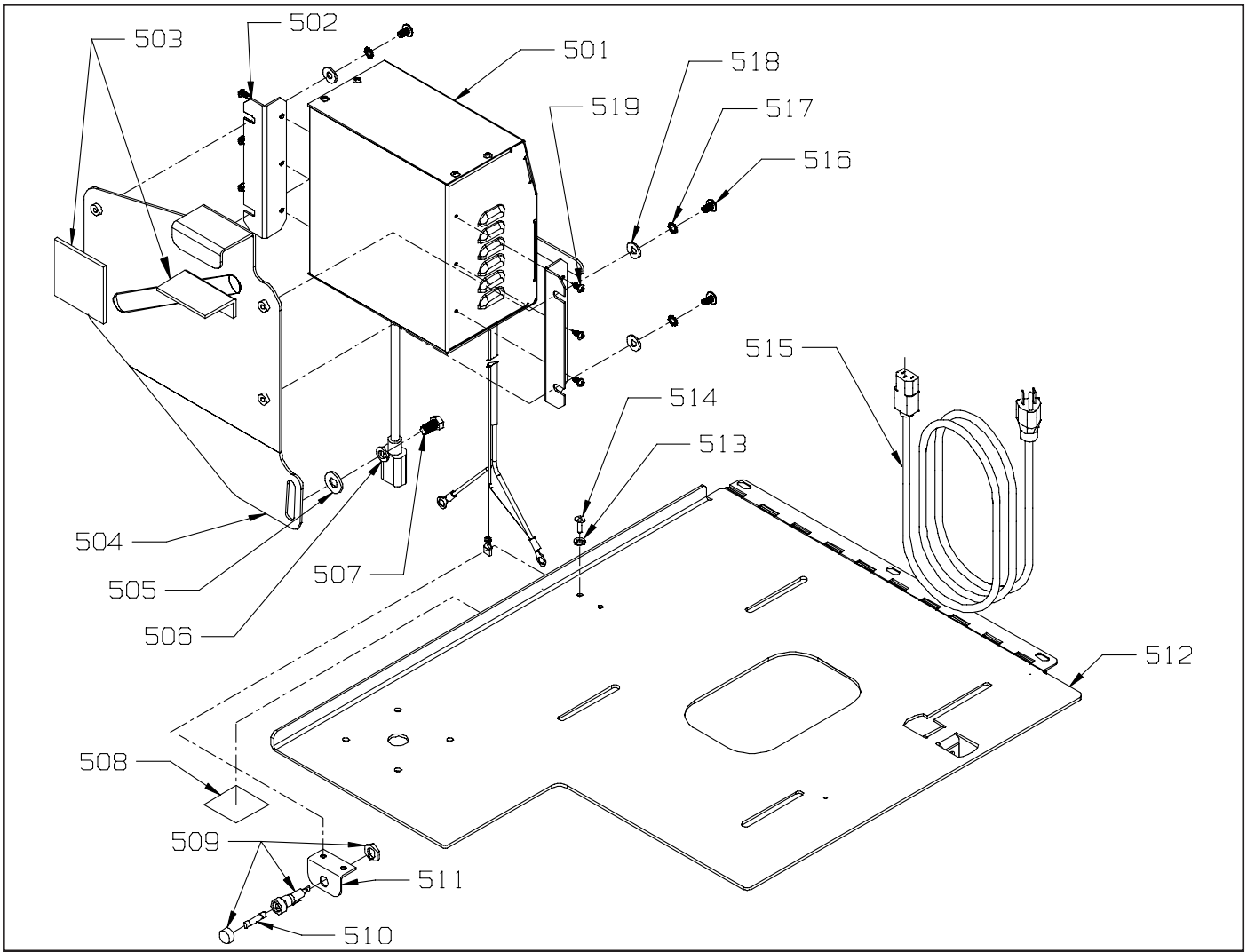


CURVED SQUEEGEE ASSEMBLY - 7693809



<u>ITEM</u>	<u>PART NO.</u>	<u>DESCRIPTION</u>	<u>QTY.</u>
401	2693841	REAR SECURING STRAP	1
402	9121720	5/16-18 X 1 1/4 HEX HEAD FULL THREADED BOLT - PACK OF 5	2
403	2492561	HOOKED END	2
404	7693791	REAR SQUEEGEE BLADE - LINATEX	1
	2693831	REAR SQUEEGEE BLADE - GUM RUBBER	1
405	2693811	CENTER WEDGE	2
406	2693821	FRONT BLADE	1
407	9121560	5/16-18 X 1/2 HEX BOLT - PACK OF 5	2
408	9121410	5/16 EXTERNAL STAR LOCK WASHER - PACK OF 10	2
409	9121390	11/32 I.D. X 11/16 O.D. X .051/.080 THICK SAE FLAT WASHER (5/16)-PK-10	2
410	9121210	1/4-20 X 5/8 HEX BOLT - PACK OF 10	4
411	9120880	1/4 SPLIT LOCK WASHER - PACK OF 10	4
412	9120930	9/32 I.D. X 5/8 O.D. X .051/.080 THICK SAE FLAT WASHER (1/4) - PACK OF 10	4
413	2790281	BUMPER WHEEL	2
414	7693823	MAIN HOUSING	1
415	9121520	5/16 SPLIT LOCK WASHER - PACK OF 1	2
416	9121720	5/16-18 X 1 1/4 HEX HEAD FULL THREADED BOLT - PACK OF 2	2
417	9120070	6-32 X 3/8 ROUND HEAD PHILLIPS MACHINE SCREW - PACK OF 10	2
418	9120030	#6 SPLIT LOCK WASHER - PACK OF 10	2
419	2492581	SQUEEGEE LEVEL	1
420	3392971	T-KNOB - SQUEEGEE	2
421	9121450	5/16-18 HEX NUT WITH NY-LOCK INSERT - PACK OF 5	2
422	2492571	DOLLY WHEEL MOUNTING BRACKET	2
423	9121390	11/32 I.D. X 11/16 O.D. X .051/.080 THICK SAE FLAT WASHER (5/16)-PK-10	2
424	3096741	ROLLER WHEEL	2
425	9121390	11/32 I.D. X 11/16 O.D. X .051/.080 THICK SAE FLAT WASHER (5/16)-PK-10	2
426	9121760	5/16-18 X 1 3/4 HEX BOLT - PACK OF 2	2
427	9121280	1/4-20 X 1 1/2 HEX BOLT - PACK OF 5	2
428	9120880	1/4 SPLIT LOCK WASHER - PACK OF 10	2
429	9120930	9/32 I.D. X 5/8 O.D. X .051/.080 THICK SAE FLAT WASHER (1/4)-PK-10	2
430	2492541	CENTER HOLD DOWN	1
431	2492591	CENTER HOLD DOWN SPACER	2

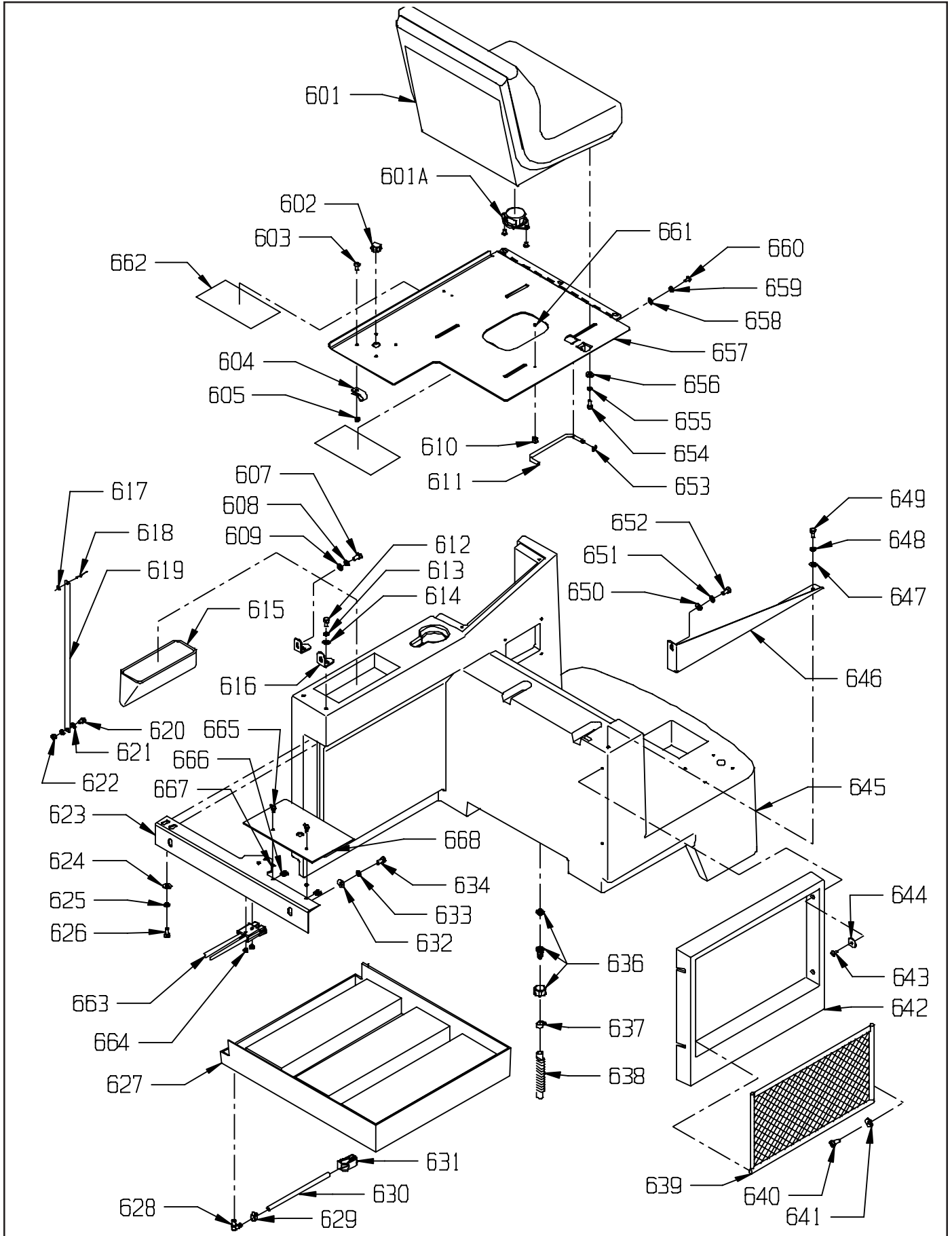
ONBOARD CHARGER



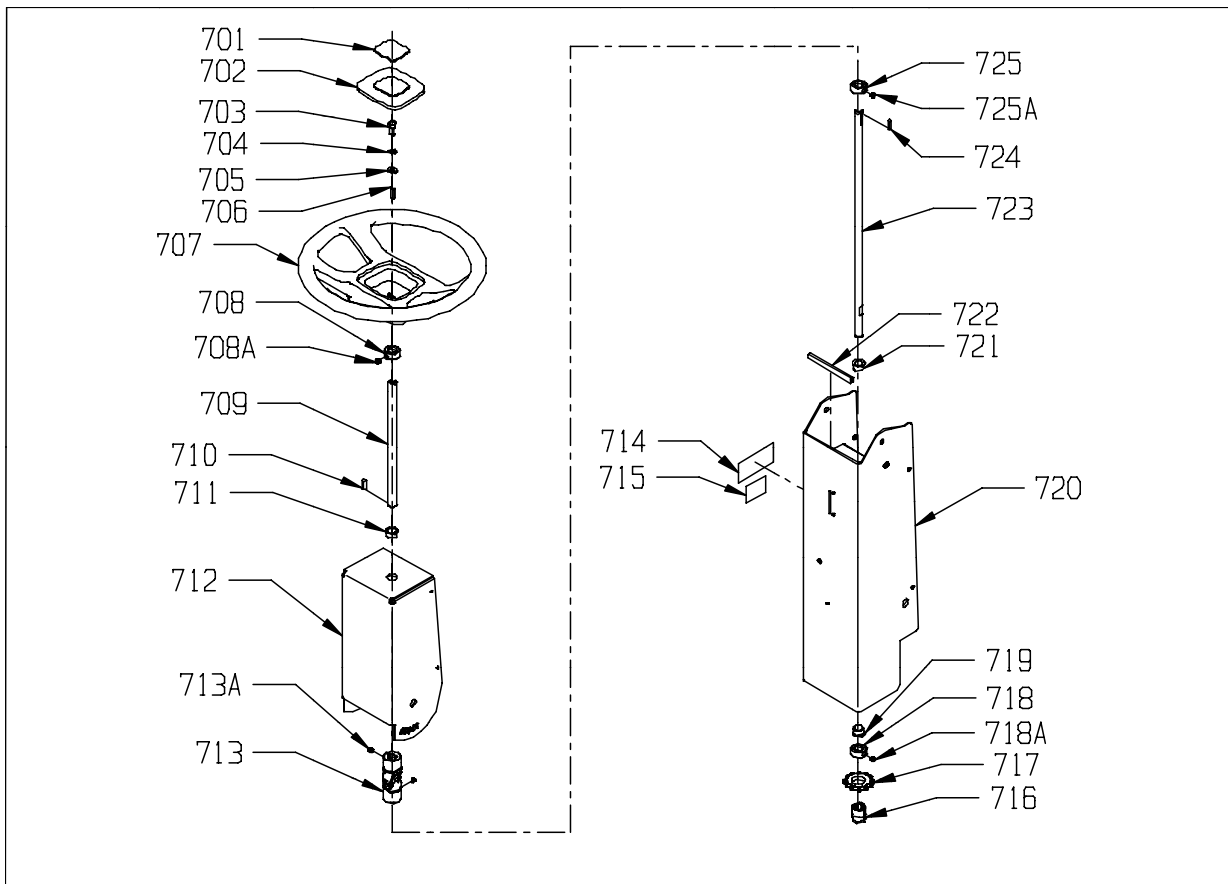
<u>ITEM</u>	<u>PART NO.</u>	<u>DESCRIPTION</u>	<u>QTY.</u>
501	6497531	36 VOLT ONBOARD CHARGER 120/240 VOLT, 25 AMP	1
502	2695841	CHARGER MOUNTING BRACKET	2
503	7692711	MOUNTING BRACKET PAD	2
504	7692681	ONBOARD CHARGER MOUNT	1
505	9120930	1/4 FLAT WASHER - PACK OF 2	1
506	9120880	1/4 LOCK WASHER - PACK OF 10	1
507	9121250	1/4-16 X 3/4" LONG HEX HEAD BOLT - PACK OF 5	1
508	3393481	FUSE DECAL	1
509	4990321	FUSE HOLDER WITH NUT & WASHER	1
510	6495741	3AG FAST-ACTING FUSE 4 AMP	1
511	7692253	FUSE HOLDER MOUNT	1
512	7692691	BATTERY COVER/SEAT PLATE	1
513	9120330	#10 EXTERNAL STAR LOCK WASHER - PACK OF 10	2
514	9120500	10-24 X 3/8 FLAT HEAD PHILLIPS MACHINE SCREW - PACK OF 10	2
515	6495701	120 VOLT ONBOARD CHARGER CORD	1
	6495711	240 VOLT ONBOARD CHARGER CORD	1
516	9121090	1/4-20 X 1/2 TRUSS HEAD PHILLIPS MACHINE SCREW - PACK OF 5	4
517	9120970	1/4 STAR LOCK WASHER - PACK OF 10	4
518	9120940	1/4 FLAT WASHER - PACK OF 10	4
519	9120810	#10 X 1/2 PAN HEAD SHEET METAL SCREW - PACK OF 10	6

ITEM	PART NO.	DESCRIPTION	QTY.
601	7690601	SEAT - INCLUDES:	1
601A	7691801	SEAT SWITCH, SCREW MOUNT	1
601A	7692601	SEAT SWITCH, TWIST MOUNT	1
602	0690761	BUTTON, PLUG	1
603	9121000	1/4-20 X 5/8 TRUSS HEAD PHILLIPS MACHINE SCREW - PACK OF 5	4
604	4890851	CABLE CLAMP	1
605	9120900	1/4-20 HEX NUT WITH NY-LOK INSERT - PACK OF 10	4
606	3392811	BATTERY WARNING DECAL	1
607	9122220	3/8-16 X 3/4 HEX BOLT - PACK OF 5	2
608	9122100	3/8 SPLIT LOCK WASHER - PACK OF 10	2
609	9121400	3/8 I.D. X 7/8 O.D. X .064/.104 THICK WROUGHT WASHER (5/16)-PK-10	2
610	7691081	3/8 STOWAGE CLIP	1
611	7691191	PROP ROD - BATTERY COVER / SEAT PLATE	1
612	9122220	3/8-16 X 3/4 HEX BOLT - PACK OF 5	2
613	9122100	3/8 SPLIT LOCK WASHER - PACK OF 10	2
614	9121400	3/8 I.D. X 7/8 O.D. X .064/.104 THICK WROUGHT WASHER (5/16)-PK-10	2
615	7691249	FILTER SCREEN ASSEMBLY	1
616	7692373	SOLUTION TANK MOUNTING BRACKET	2
617	9120370	7/32 I.D. X 1/2 O.D. X .032/.065 THICK FLAT WASHER (#10) - PACK OF 10	1
618	9120817	3/16 X 11/16 DOME HEAD POP RIVET - ALUMINUM - PACK OF 5	1
619	7691911	SOLUTION GAGE	1
620	9121600	5/16-18 X 5/8 HEX BOLT - PACK OF 5	1
621	9121400	3/8 I.D. X 7/8 O.D. X .064/.104 THICK WROUGHT WASHER (5/16)-PK-10	2
622	9121450	5/16-18 HEX NUT WITH NY-LOK INSERT - PACK OF 5	1
623	7695203	UPPER MOUNTING BRACKET - RECOVERY TANK	1
624	9121400	3/8 I.D. X 7/8 O.D. X .064/.104 THICK WROUGHT WASHER (5/16)-PK-10	2
625	9122100	3/8 SPLIT LOCK WASHER - PACK OF 10	2
626	9122220	3/8-16 X 3/4 HEX BOLT - PACK OF 5	2
627	7690051	BATTERY BOX	1
628	2490601	FITTING, ELL 3/8 BARB X 1/4 MNPT	1
629	5092371	CORD CLAMP	1
630	8791070	3/8" I.D. X 1/2" O.D. VINYL HOSE - (CUT TO 18")	1.5'
631	3390661	TUBING CONTROL VALVE	1
632	9121400	3/8 I.D. X 7/8 O.D. X .064/.104 THICK WROUGHT WASHER (5/16)-PK-10	2
633	9122100	3/8 SPLIT LOCK WASHER - PACK OF 10	2
634	9122220	3/8-16 X 3/4 HEX BOLT - PACK OF 5	2
636	7693771	FILTER FITTING 3/4 HOSE BARB AND COLLAR	1
637	7693811	HOSE CLAMP - 9/16" TO 1 1/16"	1
638	7693781	3/4" DIAMETER X 6 1/2" LONG CONVOLUTED HOSE	1
639	7691391	CARGO NET	1
640	9120790	10 X 5/8 PAN HEAD PHILLIPS SHEET METAL SCREW - PACK OF 10	4
641	9120370	7/32 I.D. X 1/2 O.D. X .032/.065 THICK FLAT WASHER (#10) - PACK OF 10	4
642	7690061	SIDE COVER	1
643	9121000	1/4-20 X 5/8 TRUSS HEAD PHILLIPS MACHINE SCREW - PACK OF 5	4
644	9120950	1/4 I.D. X 1 1/4 O.D. FENDER WASHER - PACK OF 10	4
645	7690011	SOLUTION TANK	1
646	7691013	SOLUTION TANK MOUNTING BRACKET - RIGHT	1
647	9121400	3/8 I.D. X 7/8 O.D. X .064/.104 THICK WROUGHT WASHER (5/16)-PK-10	1
648	9122100	3/8 SPLIT LOCK WASHER - PACK OF 10	1
649	9122220	3/8-16 X 3/4 HEX BOLT - PACK OF 5	1
650	9121980	3/8 FLAT WASHER - PACK OF 10	1
651	9122100	3/8 SPLIT LOCK WASHER - PACK OF 10	1
652	9122220	3/8-16 X 3/4 HEX BOLT - PACK OF 5	1
653	7691091	3/8 EXTERNAL E-RING - PROP ROD	2
654	9121640	5/16-18 X 3/4 HEX BOLT - PACK OF 5	4
655	9121520	5/16 SPLIT LOCK WASHER - PACK OF 10	4
656	9120940	5/16 I.D. X 3/4 O.D. X .051/.080 THICK WROUGHT WASHER (1/4)-PK-10	4
657	7692691	BATTERY COVER / SEAT PLATE	1
658	9120930	9/32 I.D. X 5/8 O.D. X .051/.080 THICK SAE FLAT WASHER (1/4)-PK-10	3
659	9120970	1/4 EXTERNAL STAR LOCK WASHER - PACK OF 10	3
660	9121000	1/4-20 X 5/8 TRUSS HEAD PHILLIPS MACHINE SCREW - PACK OF 5	3
661	9120307	1/8 X 3/16 DOME HEAD POP RIVET - ALUMINUM - PACK OF 5	1
662	3394141	OBC WARNING DECAL	1
663	7691691	WIRING HARNESS: BATTERIES TO CONTROLLER	1
664	9120910	1/4-20 HEX NUT WITH STARLOCK WASHER - PACK OF 10	2
665	7692531	1/4 TURN STUD	2
666	7692541	WASHER FOR 1/4 TURN STUD	2
667	7692551	1/4 TURN CLIP ON RECEPTACLE	2
668	7692701	BATTERY COMPARTMENT CORNER PLATE	1

SOLUTION TANK ASSEMBLY



INNER STEERING COLUMN ASSEMBLY



<u>ITEM</u>	<u>PART NO.</u>	<u>DESCRIPTION</u>	<u>QTY.</u>
701	7690931	DECAL - STEERING WHEEL	1
702	7690631	CAP - STEERING WHEEL	1
703	9121640	5/16-18 X 3/4 HEX BOLT	1
704	9121520	5/16 SPLIT LOCK WASHER	1
705	9121985	13/32 I.D. X 1 O.D. X .12 THICK FLAT WASHER (11 GAGE)	1
706	9120827	3/16 SQUARE X 1 LONG KEY - STEEL	1
707	7690611	STEERING WHEEL	1
708	7690661	5/8 SET COLLAR / STEERING SHAFT - INCLUDES:	1
708A	9121380	5/16-18 X 3/8 SET SCREW - KNURL POINT	1
709	7690921	UPPER STEERING SHAFT	1
710	9120827	3/16 SQUARE X 1 LONG KEY - STEEL	1
711	2790761	BEARING, FLANGE FF-71	1
712	7690733	UPPER COLUMN	1
713	7690621	UNIVERSAL JOINT - STEERING - INCLUDES:	1
713A	9121380	5/16-18 X 3/8 SET SCREW - KNURL POINT	2
714	7693071	NAMING IDENTIFICATION LABEL	1
715	5392401	WARNING - FIRE LABEL	1
716	7691311	TRAN - TORQUE KEYLESS BUSHING	1
717	7691321	SPROCKET	1
718	7690661	5/8 SET COLLAR / STEERING SHAFT - INCLUDES:	1
718A	9121380	5/16-18 X 3/8 SET SCREW - KNURL POINT	1
719	2790761	BEARING, FLANGE FF-71	1
720	7690713	STEERING COLUMN - BASE	1
721	2790761	BEARING, FLANGE FF-71	1
722	9997590	METAL CORE QUICKEDGE TRIM (CUT TO 6")	.5'
723	7690911	LOWER STEERING SHAFT	1
724	9120827	3/16 SQUARE X 1 LONG KEY - STEEL	1
725	7690661	5/8 SET COLLAR / STEERING SHAFT - INCLUDES:	1
725A	9121380	5/16-18 X 3/8 SET SCREW - KNURL POINT	1

ELECTRICAL COMPONENTS

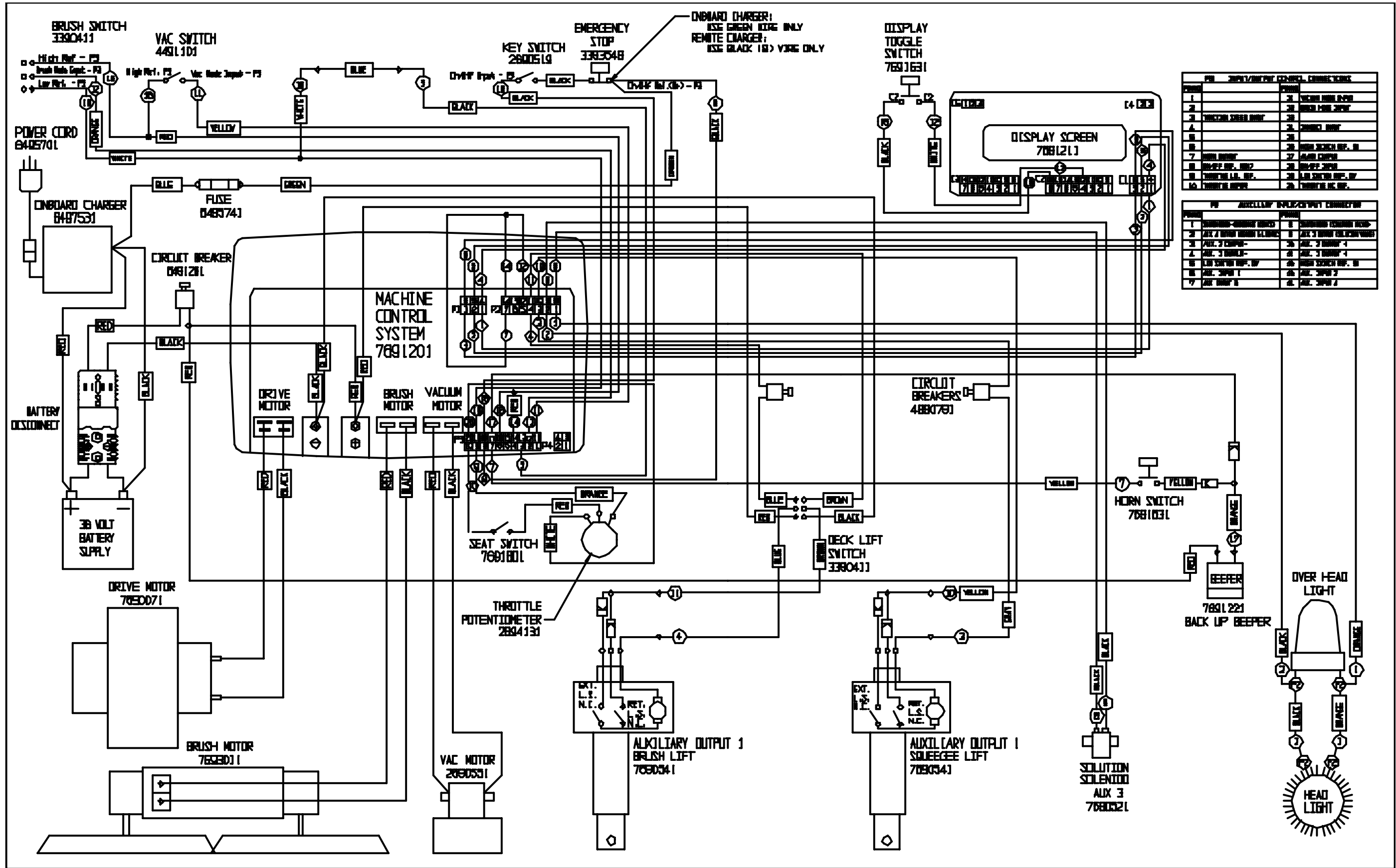
PART NO.	DESCRIPTION	QTY.	PART NO.	DESCRIPTION	QTY.
2391981	BATTERY JUMPER 3/8" RING	5	7691621	CIRCUIT BREAKER	1
2690551	VAC MOTOR, 36 VOLT	1	7691631	PUSH BUTTON SWITCH	2
2792571	CARBON BRUSH - VAC MOTOR	2	7691641	EMERGENCY STOP TO KEY SWITCH	1
2690581	1/4 SPADE MALE TERMINAL 10-12	2	7691651	CONTROLLER TO LCD	1
2694131	POTENTIOMETER	1	7695211	WIRING ANDERSON TO +/- BATTERY	1
2690951	BATTERY, DRY, 6V, 325 AH	6	7691671	CONTROLLER TO BRUSH	1
2691501	BATTERY, WET, 6V, 325 AH	6	7691681	CONTROLLER TO DRIVE MOTOR	1
7692511	KEY SWITCH WITH KEY	1	7695211	WIRING HARNESS:	1
7692521	REPLACEMENT KEY FOR 7692511	1		BATTERIES TO CONTROLLER	
3390411	FORWARD - REVERSE SWITCH	2	7691701	MAIN WIRING HARNESS	1
3393549	EMERGENCY STOP KIT	1	7691721	LCD TO SWITCH	1
4491101	TOGGLE SWITCH, MOTOR	1	7691731	GROUND WIRE	2
4890791	CIRCUIT BREAKER - 2 AMP	2	7691741	BACK-UP ALARM WIRE	1
4990321	FUSE HOLDER W/NUT & WASHER	1	7691751	WIRE ASSEMBLY HIGH REFERENCE	1
6491261	CIRCUIT BREAKER - 90 AMP	1	7691761	WIRE ASSEMBLY LOW REFERENCE	1
6495691	36V ONBOARD CHARGER - 21 AMP	1	7691781	WIRE ASSEMBLY - SWITCH	1
6495701	120V ONBOARD CHARGER CORD	1		TO BRUSH ACTUATOR	
6495711	240V ONBOARD CHARGER CORD	1	7691801	SEAT SWITCH	1
6495741	3AG FAST-ACTING FUSE 4 AMP	1	7691871	AUXILIARY HARNESS - CONTROLER	1
7690071	12 X 4 DRIVE WHEEL	1	7693011	BRUSH MOTOR	1
7692051	CARBON BRUSH - DRIVE WHEEL	4	7692041	CARBON BRUSH - BRUSH MOTOR	4
7690521	SOLUTION SOLENOID VALVE	1	7693111	JUMPER WIRE	1
7690549	ACTUATOR MOTOR	2	7694001	BRUSH SPEED INPUT WIRE	1
7691201	MACHINE CONTROL SYSTEM	1	7691821	OVERHEAD LIGHT	1
7691211	LCD MODULE	1	7691831	HEADLIGHT	1
7691221	BACK UP ALARM	1	9123000	11" LONG WIRE TIE - PACK OF 5	1
7691301	EMERGENCY STOP BLOCK	1	9123005	1/8 X 5 1/2 WIRE TIE - PACK OF 5	5

P3 INPUT / OUTPUT CONTROL CONNECTIONS

PIN NO.		PIN NO.	
1		11	VACUUM MODE INPUT
2		12	BRUSH MODE INPUT
3	TRACTION SPEED INPUT	13	
4		14	INHIBIT INPUT
5		15	
6		16	HIGH SWITCH REF. 5 V.
7	HORN OUTPUT	17	ALARM OUTPUT
8	ON / OFF REF. (B+)	18	ON / OFF INPUT
9	THROTTLE LD. REF.	19	LOW SWITCH REF. OV
10	THROTTLE WIPER	20	THROTTLE HI REF.

P2 AUXILLARY INPUT / OUTPUT CONNECTOR

PIN NO.		PIN NO.	
1	SWITCH B+ (BEACON & LIGHTS)	8	SWITCHED B+ (SOLUTION VALVE)
2	AUX. 4 OUTPUT (BEACON & LIGHTS)	9	AUX. 3 OUTPUT (SOLUTION VALVE)
3	AUX. 2 OUTPUT -	10	AUX. 2 OUTPUT +
4	AUX. 1 OUTPUT -	11	AUX. 1 OUTPUT +
5	LOW SWITCH REF. OV	12	HIGH SWITCH REF. 5V
6	AUX. INPUT 1	13	AUX. INPUT 2
7	AUX. INPUT 3	14	AUX. INPUT 4

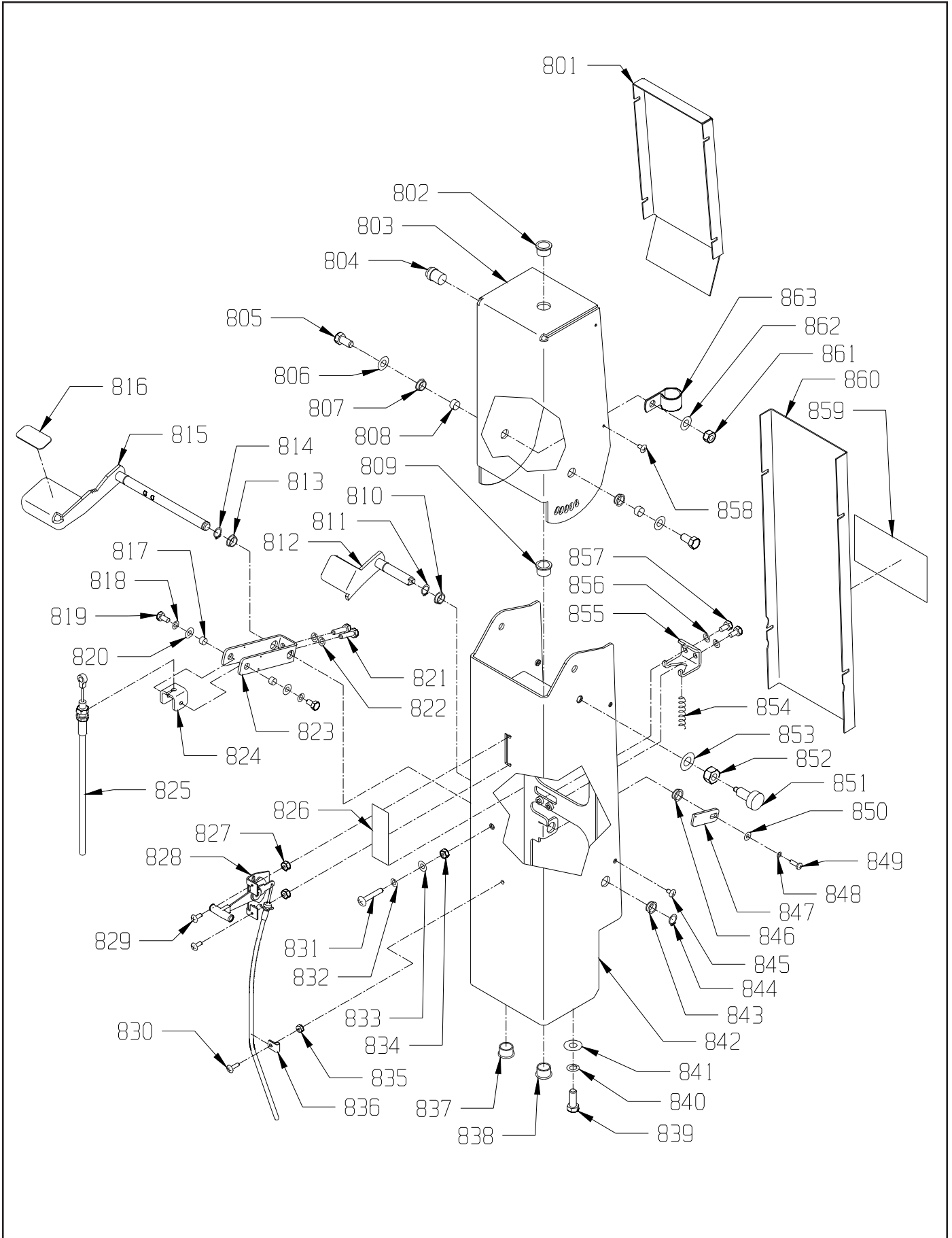


PW 36V/12V/24V CONNECTIONS	
POINT	POINT
1	28 VEHICLE BATTERY
2	28 BATTERY POSITIVE
3	28 BATTERY NEGATIVE
4	28 CHARGE LIGHT
5	28
6	28 HIGH BEAM REF. W
7	28 LOW BEAM REF. W
8	28 BATTERY POS. W
9	28 BATTERY NEG. W
10	28 BATTERY POS. W
11	28 BATTERY NEG. W

PW AUXILIARY INPUT CONNECTIONS	
POINT	POINT
1	28 BATTERY POSITIVE
2	28 BATTERY NEGATIVE
3	28 AUX. 1 INPUT
4	28 AUX. 2 INPUT
5	28 AUX. 3 INPUT
6	28 BATTERY POS. W
7	28 BATTERY NEG. W
8	28 AUX. 1 INPUT
9	28 AUX. 2 INPUT
10	28 AUX. 3 INPUT

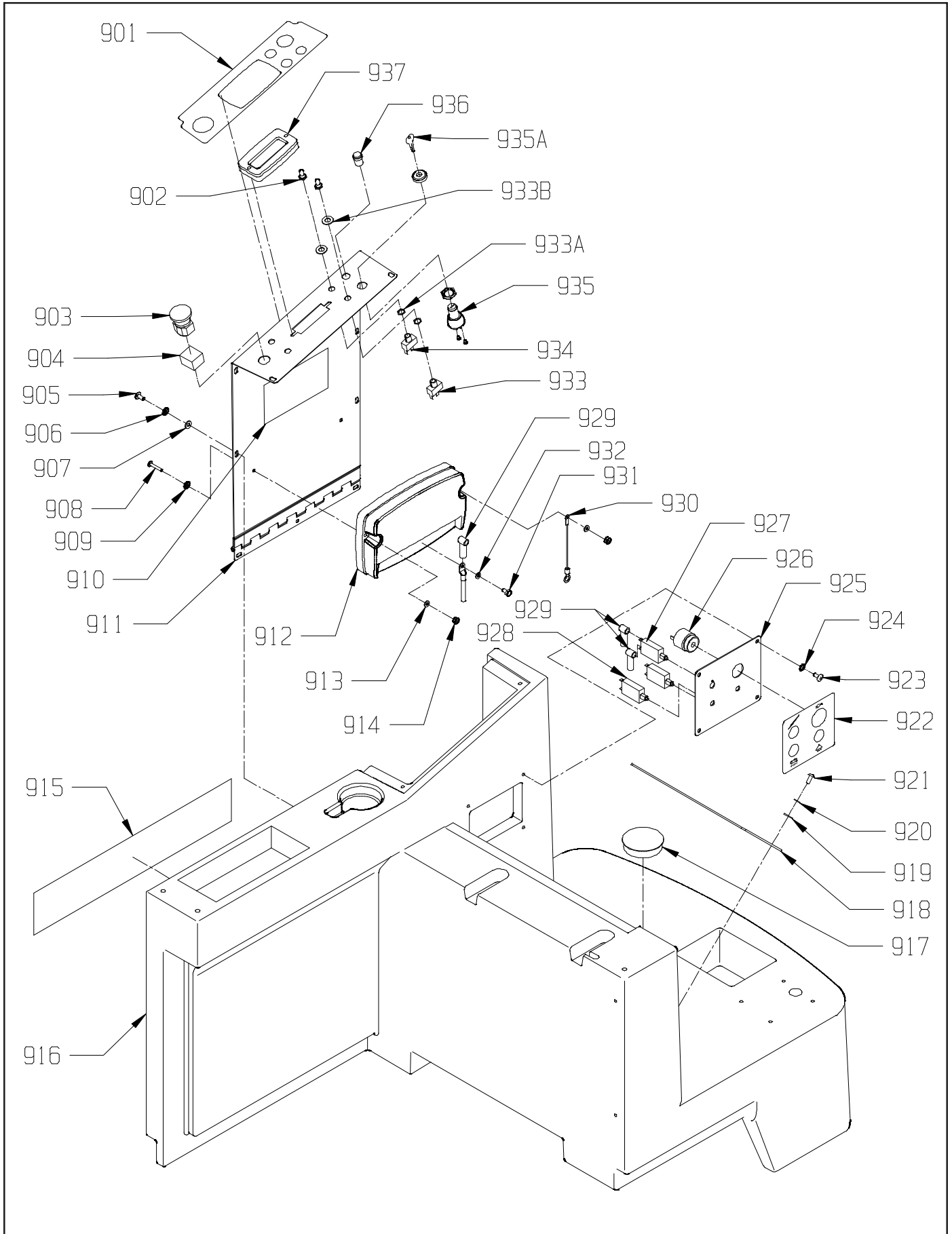
<u>ITEM</u>	<u>PART NO.</u>	<u>DESCRIPTION</u>	<u>QTY.</u>
801	7690743	TILT COLUMN COVER	1
802	2790761	BEARING, FLANGE FF-71	1
803	7690733	UPPER COLUMN	1
804	7691631	PUSH BUTTON SWITCH	1
805	9122300	3/8-16 X 1 1/4 HEX BOLT - PACK OF 2	2
806	9121400	3/8 I.D. X 7/8 O.D. X .064/.104 THICK WROUGHT WASHER (5/16) - PACK OF 10	2
807	7690691	NYLINER - STEERING TILT	2
808	2691181	PIVOT SPACER, STABILIZER BAR	2
809	2790761	BEARING, FLANGE FF-71	1
810	7690691	NYLINER - STEERING TILT	1
811	9122496	RETAINING RING - PACK OF 8	1
812	7691131	PARKING BRAKE PEDAL	1
813	7690691	NYLINER - STEERING TILT	1
814	9122496	RETAINING RING - PACK OF 8	1
815	7691101	BRAKE PEDAL	1
816	1390571	STEP TREAD	1
817	2791281	BUSHING SPACER	2
818	9120880	1/4 SPLIT LOCK WASHER - PACK OF 10	2
819	9121170	1/4-20 X 1/2 HEX BOLT - PACK OF 10	2
820	9120930	9/32 I.D. X 5/8 O.D. X .051/.080 THICK SAE FLAT WASHER (1/4) - PACK OF 10	2
821	9121270	1/4-20 X 1 HEX BOLT - PACK OF 10	2
822	9120880	1/4 SPLIT LOCK WASHER - PACK OF 10	2
823	7691111	BRAKE CABLE ARM	1
824	7691121	BRAKE CABLE PIVOT BRACKET	1
825	7690971	BRAKE CABLE	1
826	7692301	BLACK AND WHITE MINI KIT	1
827	9120360	10-24 HEX NUT WITH STAR LOCK WASHER - PACK OF 10	2
828	7691051	SOLUTION LEVER AND CABLE ASSEMBLY	1
829	9120420	10-24 X 5/8 ROUND HEAD PHILLIPS MACHINE SCREW - PACK OF 10	2
830	9120420	10-24 X 5/8 ROUND HEAD PHILLIPS MACHINE SCREW - PACK OF 10	1
831	9121130	1/4-20 X 1 1/2 TRUSS HEAD PHILLIPS MACHINE SCREW - PACK OF 5	1
832	9120880	1/4 SPLIT LOCK WASHER - PACK OF 10	1
833	9120930	9/32 I.D. X 5/8 O.D. X .051/.080 THICK SAE FLAT WASHER (1/4) - PACK OF 10	1
834	9120900	1/4-20 HEX NUT WITH NY-LOCK INSERT - PACK OF 10	1
835	9120360	10-24 HEX NUT WITH STAR LOCK WASHER	1
836	5294201	NYLON CABLE CLAMP	1
837	4890451	BUSHING, SNAP IN, #SB87511 HEYCO	1
838	2790761	BEARING, FLANGE FF-71	1
839	9122260	3/8-16 X 1 HEX BOLT - PACK OF 2	4
840	9122100	3/8 SPLIT LOCK WASHER - PACK OF 10	4
841	9121400	3/8 I.D. X 7/8 O.D. X .064/.104 THICK WROUGHT WASHER (5/16) - PACK OF 10	4
842	7690713	STEERING COLUMN - BASE	1
843	7690691	NYLINER - STEERING TILT	1
844	9122496	RETAINING RING - PACK OF 8	1
845	9120500	10-24 X 3/8 TRUSS HEAD PHILLIPS MACHINE SCREW - PACK OF 10	4
846	7690691	NYLINER - STEERING TILT	1
847	7691141	PARKING BRAKE SPRING ARM	1
848	9120320	#10 SPLIT LOCK WASHER - PACK OF 10	1
849	9120420	10-24 X 5/8 ROUND HEAD PHILLIPS MACHINE SCREW - PACK OF 10	1
850	9120370	7/32 I.D. X 1/2 O.D. X .032/.065 THICK SAE FLAT WASHER (#10) - PACK OF 10	1
851	7690701	RETRACTABLE PLUNGER - TILT STEERING	1
852	9122680	1/2-13 HEX JAM NUT - PACK OF 1	1
853	9122450	17/32 I.D. X 1 1/16 O.D. X .074/.121 THICK SAE FLAT WASHER (1/2) - PACK OF 5	1
854	4490641	EXTENSION SPRING	3
855	7691151	BRAKE RETURN SPRING BRACKET	1
856	9120880	1/4 SPLIT LOCK WASHER - PACK OF 10	2
857	9121170	1/4-20 X 1/2 HEX BOLT - PACK OF 10	2
858	9120500	10-24 X 3/8 TRUSS HEAD PHILLIPS MACHINE SCREW - PACK OF 10	4
859	7692311	CLOUD BURST DECAL 3.5 X 5.5	1
860	7690723	COVER - BASE	1
861	9122140	3/8-16 HEX NUT WITH NY-LOCK INSERT - PACK OF 5	2
862	9121400	3/8 I.D. X 7/8 O.D. X .064/.104 THICK WROUGHT WASHER (5/16) - PACK OF 10	2
863	2395761	CLAMP, TUBE	1

STEERING COLUMN ASSEMBLY



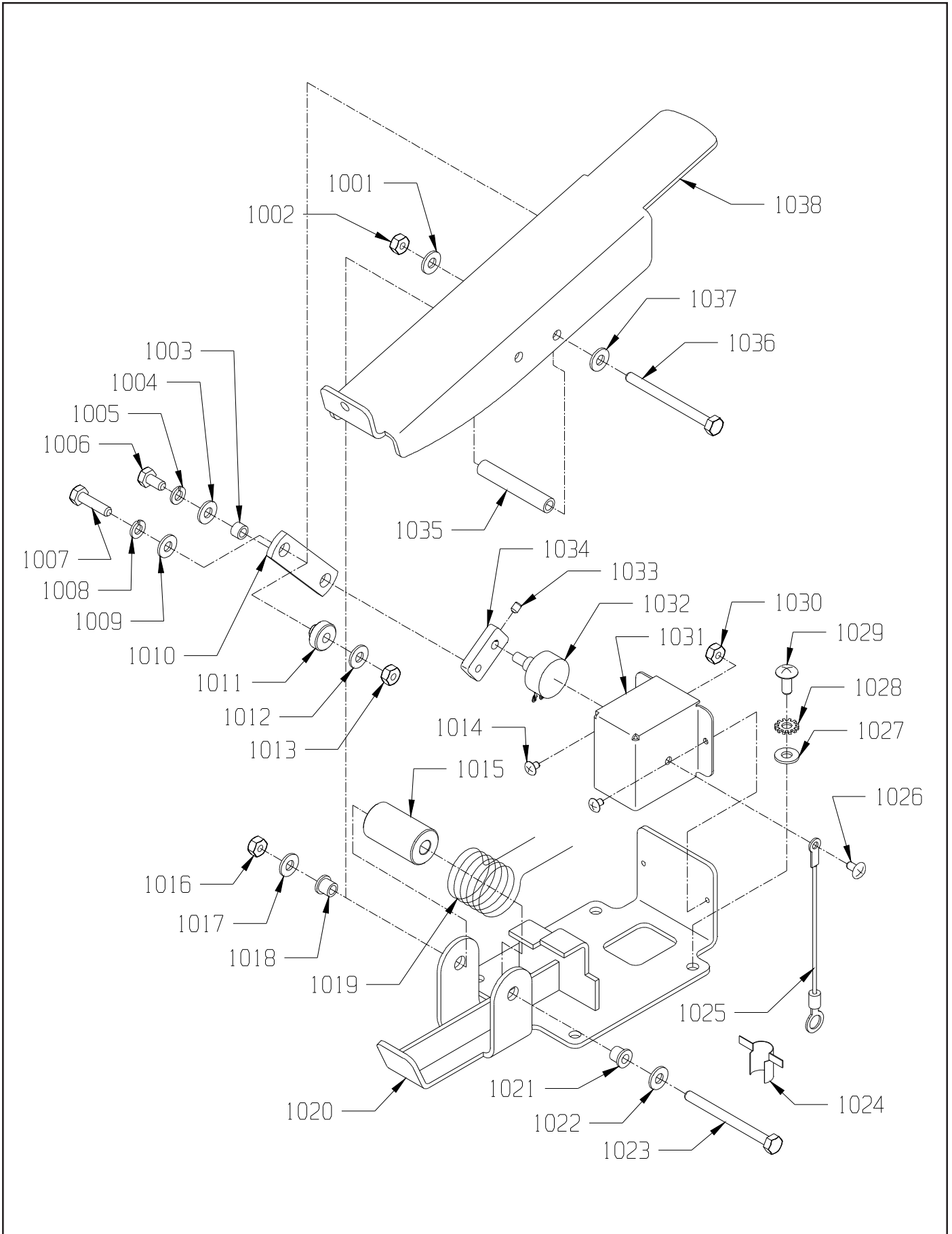
<u>ITEM</u>	<u>PART NO.</u>	<u>DESCRIPTION</u>	<u>QTY.</u>
901	7693101	ELECTRICAL PANEL - DECAL	1
902	0693141	RUBBER SWITCH BOOT	2
903	3393549	EMERGENCY STOP KIT	1
904	7691301	EMERGENCY STOP BLOCK	1
905	9121000	1/4-20 X 5/8 TRUSS HEAD PHILLIPS MACHINE SCREW - PACK OF 5	7
906	9120970	1/4 EXTERNAL STAR LOCK WASHER - PACK OF 10	7
907	9120930	9/32 I.D. X 5/8 O.D. X .051/.080 THICK SAE FLAT WASHER (1/4) - PACK OF 10	7
908	9120460	10-24 X 1 1/4 ROUND HEAD PHILLIPS MACHINE SCREW - PACK OF 5	2
909	9120330	#10 EXTERNAL STAR LOCK WASHER - PACK OF 10	2
910	7692401	WIRING DIAGRAM DECAL	1
911	7694333	ELECTRICAL PANEL	1
912	7694089	MACHINE CONTROL SYSTEM	1
913	9120370	7/32 I.D. X 1/2 O.D. X .032/.065 THICK SAE FLAT WASHER (#10) - PACK OF 10	2
914	9120350	10-24 HEX NUT WITH NY-LOK INSERT - PACK OF 10	2
915	7691891	CLOUD BURST DECAL - 3.5 X 20	1
916	7690011	SOLUTION TANK	1
917	6490791	PLUG 3"	1
918	7690123	ACTUATOR COVER PANEL	1
919	9120930	9/32 I.D. X 5/8 O.D. X .051/.080 THICK SAE FLAT WASHER (1/4) - PACK OF 10	4
920	9120970	1/4 EXTERNAL STAR LOCK WASHER - PACK OF 10	4
921	9121000	1/4-20 X 5/8 TRUSS HEAD PHILLIPS MACHINE SCREW - PACK OF 10	4
922	7692301	BLACK AND WHITE MINI KIT	1
923	9121000	1/4-20 X 5/8 TRUSS HEAD PHILLIPS MACHINE SCREW - PACK OF 10	4
924	9120970	1/4 EXTERNAL STAR LOCK WASHER - PACK OF 10	4
925	7690103	PANEL - CIRCUIT BREAKER	1
926	7691221	BACK UP ALARM	1
927	6491261	CIRCUIT BREAKER - 90 AMP	1
928	4890791	CIRCUIT BREAKER - 2 AMP	2
929	7692421	TERMINAL BOOT	3
930	7691731	GROUND WIRE	1
931	9120835	M6 X 12.7 HEX HEAD BOLT - PACK OF 2	2
932	9120970	1/4 EXTERNAL STAR LOCK WASHER - PACK OF 10	2
933	3390411	FORWARD - REVERSE SWITCH - INCLUDES:	1
933A	0798821	5/8 HEX NUT (LARGE NUT)	2
933B	0691851	1/2" INTERNAL STAR LOCK WASHER	2
934	4491101	TOGGLE SWITCH, MOTOR - INCLUDES:	1
933A	0798821	5/8 HEX NUT (LARGE NUT)	2
933B	0691851	1/2" INTERNAL STAR LOCK WASHER	2
935	7692511	KEY SWITCH WITH KEY	1
935A	7692521	REPLACEMENT KEY FOR 7692511	1
936	7691631	PUSH BUTTON SWITCH	1
937	7691211	LCD MODULE	1

ELECTRICAL PANEL ASSEMBLY



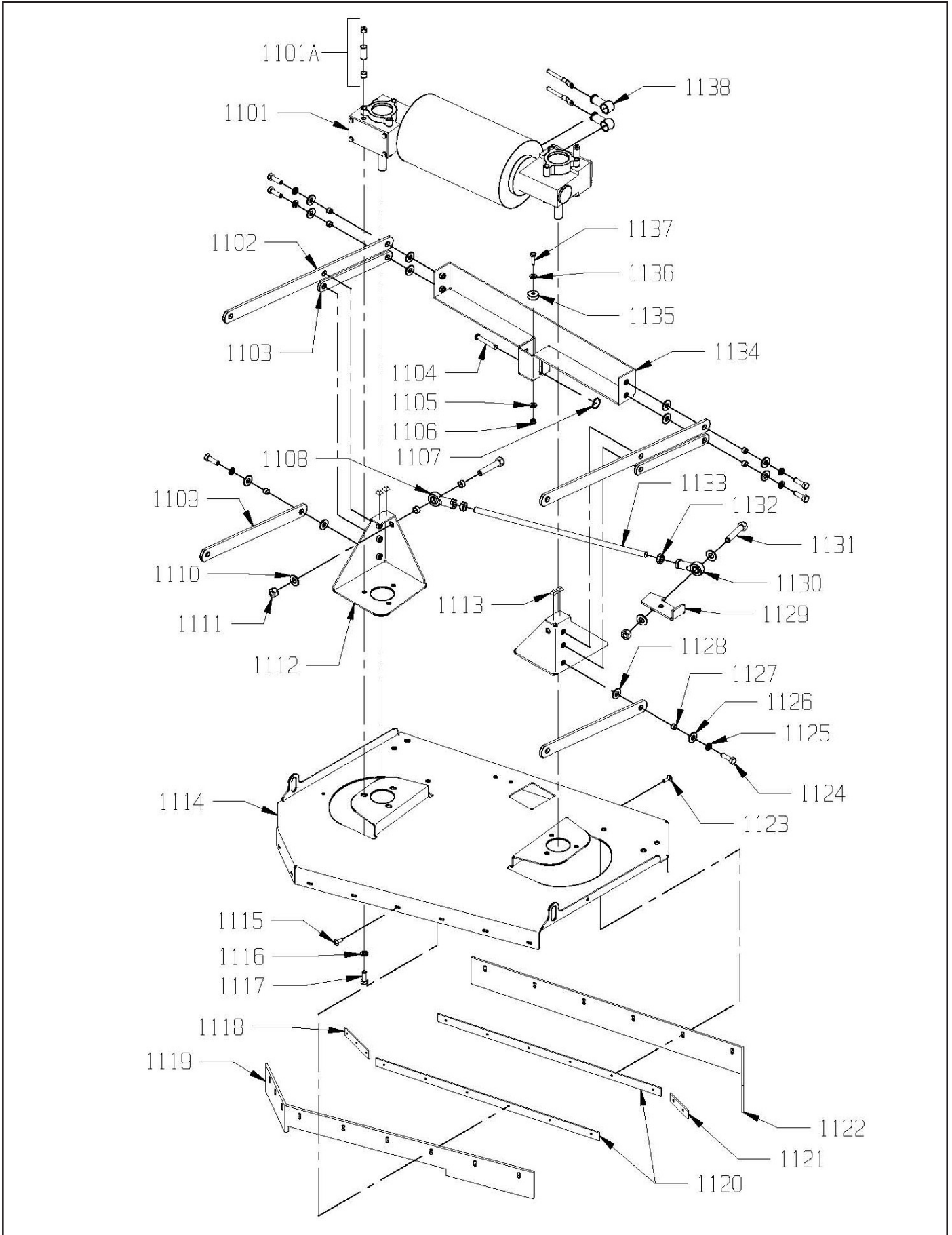
<u>ITEM</u>	<u>PART NO.</u>	<u>DESCRIPTION</u>	<u>QTY.</u>
1001	9120930	9/32 I.D. X 5/8 O.D. X .051/.080 THICK SAE FLAT WASHER (1/4) - PACK OF 10	1
1002	9120900	1/4-20 HEX NUT WITH NY-LOK INSERT - PACK OF 10	1
1003	2791281	BUSHING SPACER	1
1004	9120930	9/32 I.D. X 5/8 O.D. X .051/.080 THICK SAE FLAT WASHER (1/4) - PACK OF 10	1
1005	9120880	1/4 SPLIT LOCK WASHER - PACK OF 10	1
1006	9121210	1/4-20 X 5/8 HEX BOLT - PACK OF 10	1
1007	9121060	1/4-20 X 1 1/4 HEX BOLT - PACK OF 5	1
1008	9120880	1/4 SPLIT LOCK WASHER - PACK OF 10	1
1009	9120930	9/32 I.D. X 5/8 O.D. X .051/.080 THICK SAE FLAT WASHER (1/4) - PACK OF 10	1
1010	7690891	ACCELERATOR PEDAL ARM	1
1011	2691771	PIN, SKIRT LATCH	1
1012	9120930	9/32 I.D. X 5/8 O.D. X .051/.080 THICK SAE FLAT WASHER (1/4) - PACK OF 10	1
1013	9120900	1/4-20 HEX NUT WITH NY-LOK INSERT - PACK OF 10	1
1014	9120210	8-32 X 1/4 TRUSS HEAD PHILLIPS MACHINE SCREW - PACK OF 10	2
1015	7690811	GUIDE	1
1016	9120900	1/4-20 HEX NUT WITH NY-LOK INSERT - PACK OF 10	1
1017	9120930	9/32 I.D. X 5/8 O.D. X .051/.080 THICK SAE FLAT WASHER (1/4) - PACK OF 10	1
1018	7690801	1/4 I.D. X 3/8 O.D. X 3/8 LONG FLANGE BEARING - THROTTLE PEDAL	1
1019	7690821	TORSION SPRING - ACCELERATOR PEDAL	1
1020	7691961	PIVOT BRACKET - ACCELERATOR	1
1021	7690801	1/4 I.D. X 3/8 O.D. X 3/8 LONG FLANGE BEARING - THROTTLE PEDAL	1
1022	9120930	9/32 I.D. X 5/8 O.D. X .051/.080 THICK SAE FLAT WASHER (1/4) - PACK OF 10	1
1023	9121350	1/4-20 X 3 HEX HEAD BOLT - PACK OF 3	1
1024	5091661	CORD CLAMP	1
1025	7691731	GROUND WIRE	1
1026	9120500	10-24 X 3/8 TRUSS HEAD PHILLIPS MACHINE SCREW - PACK OF 10	1
1027	9120930	9/32 I.D. X 5/8 O.D. X .051/.080 THICK SAE FLAT WASHER (1/4) - PACK OF 10	4
1028	9120970	1/4 EXTERNAL STAR LOCK WASHER - PACK OF 10	4
1029	9121000	1/4-20 X 5/8 TRUSS HEAD PHILLIPS MACHINE SCREW - PACK OF 5	1
1030	9120350	10-24 HEX NUT WITH NY-LOK INSERT - PACK OF 10	1
1031	7690851	COVER - POTENTIOMETER	1
1032	2694131	POTENTIOMETER - CURTIS SPEED CONTROL	1
1033	9120225	8-32 X 1/4 SET SCREW - KNURL POINT - ALLOY - PACK OF 10	1
1034	7690881	POTENTIOMETER ARM	1
1035	7691951	ACCELERATOR SPRING SPACER	1
1036	9121350	1/4-20 X 3 HEX HEAD BOLT - PACK OF 3	1
1037	9120930	9/32 I.D. X 5/8 O.D. X .051/.080 THICK SAE FLAT WASHER (1/4) - PACK OF 10	1
1038	7690833	PEDAL - ACCELERATOR	1

ACCELERATOR PEDAL ASSEMBLY



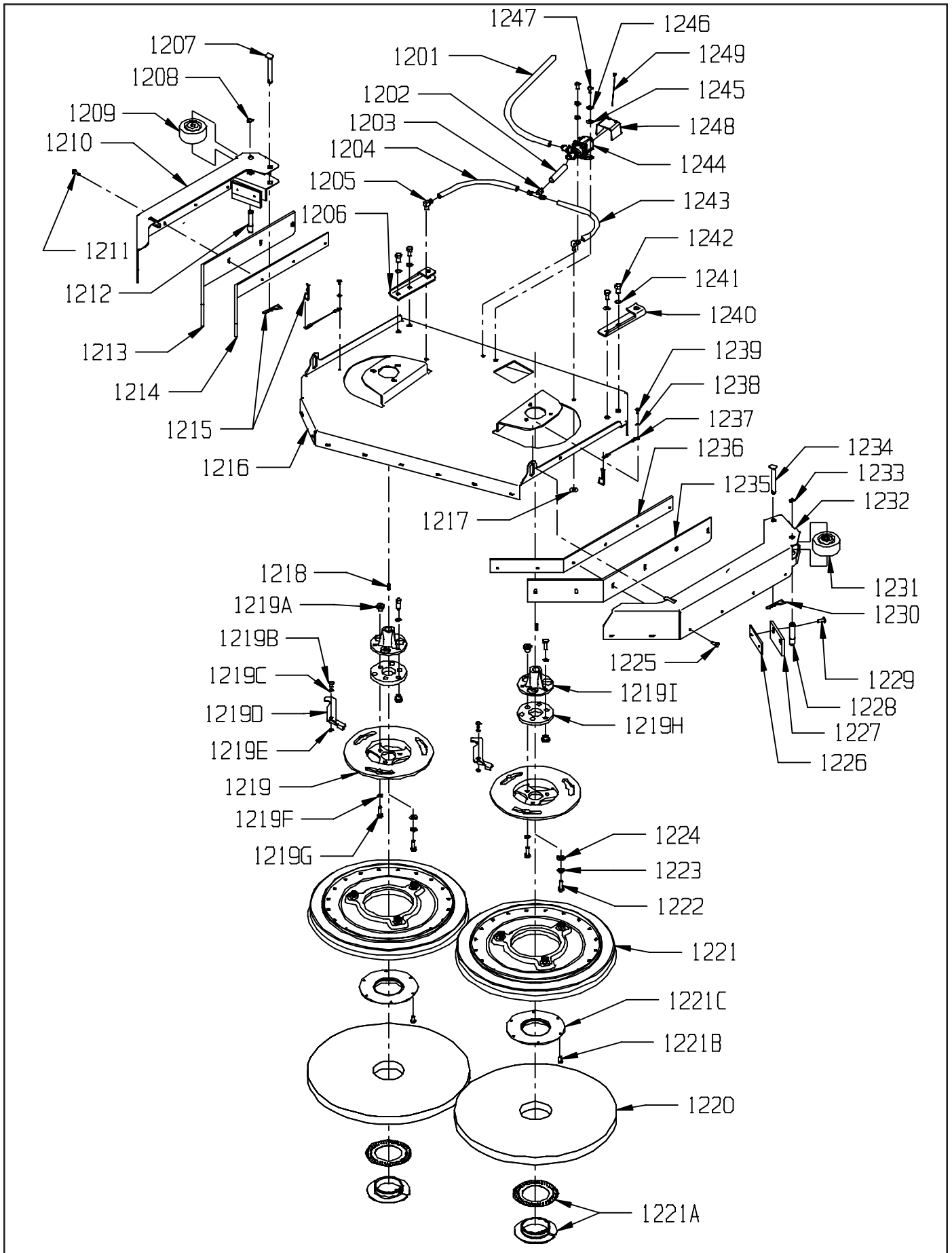
ITEM	PART NO.	DESCRIPTION	QTY.
1101	7693011	BRUSH MOTOR - INCLUDES:	1
	7691841	BRUSH MOTOR GEAR BOX	2
	7692041	REPLACEMENT CARBON BRUSH - BRUSH MOTOR	4
1101A	7691771	BRUSH MOTOR BREATHER ASSEMBLY	2
1102	7693611	MAIN LIFT BAR	2
1103	7693631	FRONT STABILIZER BAR	2
1104	7690311	3/8" DIAMETER X 2.505" LONG CLEVIS PIN	1
1105	9120930	9/32 I.D. X 5/8 O.D. X .051/.080 THICK SAE FLAT WASHER (1/4) - PACK OF 10	1
1106	9120900	1/4-20 HEX NUT WITH NY-LOK INSERT - PACK OF 10	1
1107	7690491	#6 HAIR COTTER PIN	1
1108	2391941	BALL JOINT	1
1109	7693621	REAR STABILIZER BAR	2
1110	9122400	1/2 I.D. X 1 3/32 O.D. X .074/.121 THICK FLAT WASHER (7/16) - PACK OF 10	3
1111	9122495	1/2-13 HEX NUT WITH NY-LOK INSERT - THIN - PACK OF 1	2
1112	7693031	BRUSH MOTOR MOUNT	2
1113	2392261	BUMPER BUTTON	4
1114	7693023	BRUSH MOTOR PLATE	1
1115	9120510	10-24 X 1/2 TRUSS HEAD PHILLIPS MACHINE SCREW - PACK OF 10	8
1116	9121520	5/16 SPLIT LOCK WASHER - PACK OF 10	6
1117	9122260	3/8-16 X 1 HEX BOLT - PACK OF 2	6
1118	1392981	INSIDE SPLASH GUARD STRAP	1
1119	7693061	REAR SKIRT RUBBER	1
1120	7693041	SKIRT RUBBER SECURING STRAP	2
1121	1392961	INSIDE SPLASH GUARD STRAP	1
1122	7693051	FRONT SKIRT RUBBER	1
1123	9120510	10-24 X 1/2 TRUSS HEAD PHILLIPS MACHINE SCREW - PACK OF 10	8
1124	9122300	3/8-16 X 1 1/4 HEX BOLT - PACK OF 2	14
1125	9122100	3/8 SPLIT LOCK WASHER - PACK OF 10	14
1126	9121400	3/8 I.D. X 7/8 O.D. X .064/.104 THICK WROUGHT WASHER (5/16) - PACK OF 10	14
1127	2691181	PIVIOT SPACER, STABILIZER BAR	14
1128	9121400	3/8 I.D. X 7/8 O.D. X .064/.104 THICK WROUGHT WASHER (5/16) - PACK OF 10	14
1129	7693911	PANHARD ROD MOUNT	1
1130	7693941	RUBBER BALL END JOINT	1
1131	9122580	1/2-13 X 2 HEX BOLT - PACK OF 1	2
1132	9122670	1/2-20 HEX JAM NUT - PACK OF 5	2
1133	7693921	PANHARD ROD	1
1134	7693743	FRONT LIFT BAR	1
1135	7691361	ACTUATOR SPRING GUIDE	1
1136	9120930	9/32 I.D. X 5/8 O.D. X .051/.080 THICK SAE FLAT WASHER (1/4) - PACK OF 10	1
1137	9121270	1/4-20 X 1 HEX BOLT - PACK OF 10	1
1138	6492051	STUD TERMINAL BOOT - RUBBER	2

UPPER BRUSH DRIVE ASSEMBLY



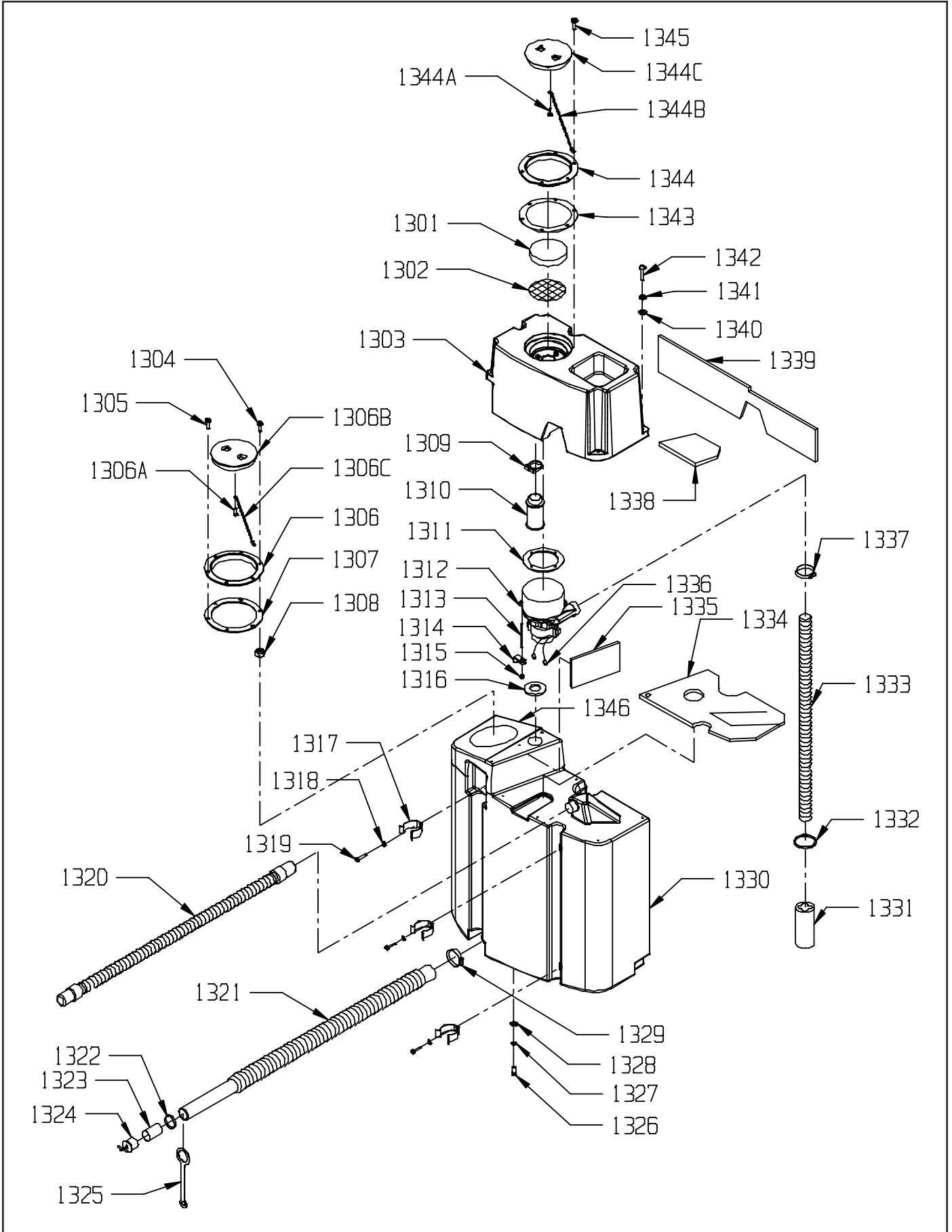
ITEM	PART NO.	DESCRIPTION	QTY.
1201	8791180	HOSE - VINYL 1/2" I.D. X 3/4" O.D.(CUT TO 18")	1.5
1202	8791180	HOSE - VINYL 1/2" I.D. X 3/4" O.D. (CUT TO 2 ")	.2
1203	7691371	TEE - 3/8 X 3/8 X 1/2	1
1204	8791070	HOSE - VINYL 3/8" I.D. X 1/2" O.D. (CUT TO 6")	.5
1205	7692631	90 DEGREE SOLUTION FEED TUBE	2
1206	7690481	SKIRT MOUNT BRACKET - LEFT HAND	1
1207	9122685	1/2 X 2 7/8 CLEVIS PIN	1
1208	9122496	RETAINING RING - PACK OF 8	1
1209	2790281	BUMPER WHEEL	1
1210	7693683	LEFT SIDE SKIRT	1
1211	9120510	10-24 X 1/2 TRUSS HEAD PHILLIPS MACHINE SCREW - PACK OF 10	6
1212	7690941	BUMPER WHEEL AXLE	1
1213	7693691	LEFT SIDE SKIRT BLADE	1
1214	7693701	LEFT SIDE SKIRT STRAP	1
1215	7690491	#6 HAIR COTTER PIN	2
1216	7693023	BRUSH MOTOR PLATE	1
1217	5092641	RETAINING RING	2
1218	9120827	3/6" SQUARE X 1" LONG KEY - PACK OF 2	2
1219	7691449	LEFT DRIVE CASTING ASSEMBLY - INCLUDES:	1
	7691459	RIGHT DRIVE CASTING ASSEMBLY - INCLUDES:	1
	2698072	DRIVE CASTING	1
1219A	2698081	DRIVE LUG	6
1219B	9121090	1/4-20 X 1/2 TRUSS HEAD PHILLIPS MACHINE SCREW - PACK OF 5	1
1219C	2791281	BUSHING SPACER	1
1219D	2790211	DRIVE PLATE LATCH	1
1219E	9122120	3/8 I.D. X 5/8 O.D. X .031 THICK WAVE SPRING WASHER - PACK OF 5	1
1219F	9121520	5/16 SPLIT LOCK WASHER - PACK OF 10	6
1219G	9121680	5/16-18 X 1 HEX BOLT - PACK OF 5	6
1219H	2698061	RUBBER MOUNT	1
1219I	7691382	DRIVE HUB	1
1220	-----	PAD - SEE ACCESSORIESS PAGE FOR TYPES	2
1221	3390891	PAD DRIVER 17" - INCLUDES:	2
1221C	2795241	PAD HOLDER ASSEMBLY - INCLUDES:	1
1221A	2795231	SPLIT RETAINER - PAD HOLDER RING	1
1221B	9120140	#6 X 5/8 PAN HEAD PHILLIPS SHEET METAL SCREW	3
1221	3390891	17" POLYBLOCK TUFT PAD DRIVER	2
	3390511	17" POLYBLOCK NYLON BRUSH	2
	3390521	17" POLYBLOCK NYLON GRIT BRUSH	2
	3390531	17" POLYBLOCK WIRE SCRUB BRUSH	2
	3390901	17" POLYBLOCK SCRUB GRIT BRUSH	2
1222	9121680	5/16-18 X 1 HEX BOLT - PACK OF 5	2
1223	9121520	5/16 SPLIT LOCK WASHER - PACK OF 10	2
1224	9121985	13/32 I.D. X 1 O.D. X .12 THICK FLAT WASHER (11 GAGE) - PACK OF 1	2
1225	9120510	10-24 X 1/2 TRUSS HEAD PHILLIPS MACHINE SCREW - PACK OF 10	6
1226	1392961	INSIDE SPLASH GUARD STRAP	2
1227	7694021	SIDE SKIRT FRONT BLADE	2
1228	7690941	BUMPER WHEEL AXLE	1
1229	9120510	10-24 X 1/2 TRUSS HEAD PHILLIPS MACHINE SCREW - PACK OF 10	4
1230	7690491	#6 HAIR COTTER PIN	2
1231	2790281	BUMPER WHEEL	1
1232	7693653	RIGHT SIDE SKIRT	1
1233	9122496	RETAINING RING - PACK OF 8	1
1234	9122685	1/2 X 2 7/8 CLEVIS PIN	1
1235	7693661	RIGHT SIDE SKIRT BLADE	1
1236	7693671	RIGHT SIDE SKIRT STRAP	1
1237	7691331	LANYARD	2
1238	9120320	#10 SPLIT LOCK WASHER - PACK OF 10	2
1239	9120380	10-24 X 3/8 ROUND HEAD PHILLIPS MACHINE SCREW - PACK OF 10	2
1240	7690471	SKIRT MOUNT BRACKET - RIGHT HAND	1
1241	9122100	3/8 SPLIT LOCK WASHER - PACK OF 10	4
1242	9122220	3/8-16 X 3/4 HEX BOLT - PACK OF 5	4
1243	8791070	HOSE - VINYL 3/8" I.D. X 1/2" O.D. (CUT TO 12")	1
1244	7690521	SOLUTION SOLENOID VALVE	1
1245	9120930	9/32 I.D. X 5/8 O.D. X .051/.080 THICK SAE FLAT WASHER (1/4) - PACK OF 10	1
1246	9120970	1/4 EXTERNAL STAR LOCK WASHER - PACK OF 10	2
1247	9121090	1/4-20 X 1/2 TRUSS HEAD PHILLIPS MACHINE SCREW - PACK OF 5	2
1248	3394071	SOLUTION VALVE GUARD	1
1249	9123005	1/8 X 5 1/2 TIE WRAP - PACK OF 5	1

LOWER BRUSH DRIVE ASSEMBLY



ITEM	PART NO.	DESCRIPTION	QTY.
1301	7690791	VAC MOTOR FILTER	1
1302	7690781	VAC MOTOR SCREEN	1
1303	7693861	VAC MOTOR COVER	1
1304	9120450	10-24 X 1 ROUND HEAD PHILLIPS MACHINE SCREW - PACK OF 10	1
1305	9120790	10 X 5/8 PAN HEAD PHILLIPS SHEET METAL SCREW - PACK OF 10	5
1306	2690881	RECOVERY TANK LID ASSEMBLY	1
	2690921	BLACK RING, RECOVERY TANK	1
1306A	9120205	#8 X 1/2 PAN HEAD PHILLIPS SHEET METAL SCREW - PACK OF 3	1
1306B	2690911	LID - CLEAR, RECOVERY TANK	1
1306C	2690931	LID CHAIN, RECOVERY TANK	1
1307	2690891	RECOVERY TANK LID GASKET	1
1308	9120350	10-24 HEX NUT WITH NY-LOK INSERT - PACK OF 10	1
1309	4894081	NYLON HOSE CLAMP - 1 19/32" TO 1 13/16" DIAMETER	1
1310	2391541	FLOAT SCREEN ASSEMBLY	1
1311	2490561	GASKET - VAC MOTOR	1
1312	2690551	VAC MOTOR, 36 VOLT	1
	2792571	REPLACEMENT CARBON BRUSH	2
1313	9121363	1/4-20 X 4 1/2" FULLY THREADED STUD - PACK OF 2	3
1314	4890851	CABLE CLAMP	1
	9120930	9/32 I.D. X 5/8 O.D. X .051/0080 THICK SAE FLAT WASHER (1/4) - PACK OF 10	2
1315	9121360	1/4-20 HEX NUT WITH NY-LOK INSERT - PACK OF 10	3
1316	7691351	GASKET - 1 1/2" I.D. X 3" O.D.	1
1317	7691921	SPRING CLIP - HOSE	3
1318	9120030	#6 SPLIT LOCK WASHER - PACK OF 10	6
1319	9120070	6-32 X 3/8 ROUND HEAD PHILLIPS MACHINE SCREW - PACK OF 10	6
1320	7690951	VACUUM HOSE WITH CUFFS	1
1321	2391671	DRAIN HOSE, CRUSHPROOF	1
1322	2393451	HOSE CLAMP - 1-13/16 STAINLESS	1
1323	2391661	HOSE TUBE	1
1324	2795621	DRAIN PLUG	1
1325	2791881	PLUG STRAP	1
1326	9122220	3/8-16 X 3/4 HEX HEAD BOLT - PACK OF 5	2
1327	9122100	3/8 SPLIT LOCK WASHER - PACK OF 10	2
1328	9121400	3/8 I.D. X 7/8 O.D. X .064/.104 THICK WROUGHT WASHER (5/16) - PACK OF 10	2
1329	4495441	HOSE CLAMP - 1 9/16" TO 2 1/2" DIAMETER	1
1330	7690021	RECOVERY TANK	1
1331	7691261	EXHAUST MUFFLER TUBE	1
1332	9123000	1/8 X 11" WIRE TIE	1
1333	7693901	FLEXIBLE VACUUM MOTOR DISCHARGE HOSE	1
1334	7693841	VAC COVER INSULATION - BOTTOM	1
1335	7693871	VAC COVER INSULATION - SIDE - SMALL	1
1336	2690581	1/4 SPADE MALE TERMINAL 10 X 12 YELLOW	2
1337	4495441	HOSE CLAMP - 1 9/16" TO 2 1/2" DIAMETER	1
1338	7693891	VAC COVER INSULATION - TOP	1
1339	7693881	VAC COVER INSULATION - SIDE - LARGE	1
1340	9120933	.250 I.D. X .875 O.D. X .075 THICK FLAT WASHER - PACK OF 6	6
1341	9120330	#10 EXTERNAL STAR LOCK WASHER - PACK OF 10	6
1342	9120535	10-24 X 1 1/2 TRUSS HEAD PHILLIPS MACHINE SCREW - PACK OF 5	6
1343	2690891	RECOVERY TANK LID GASKET	1
1344	2690881	RECOVERY TANK LID ASSEMBLY	1
	2690921	BLACK RING, RECOVERY TANK	1
1344A	9120205	#8 X 1/2 PAN HEAD PHILLIPS SHEET METAL SCREW - PACK OF 3	1
1344B	2690931	LID CHAIN, RECOVERY TANK	1
1344C	2690911	LID - CLEAR, RECOVERY TANK	1
1345	9120790	10 X 5/8 PAN HEAD PHILLIPS SHEET METAL SCREW - PACK OF 10	7
1346	8891180	GASKET - 1" X 1/4"	2

RECOVERY TANK



ACCESSORIES

	PART NO.	DESCRIPTION	
	7991701	17" BLACK STRIP PAD - CASE 5	
	7991741	17" UHS CLEANBUFF PAD - CASE 5	
	7991751	17" LITE BLUE SOFT FINISH PAD - CASE 5	
	7990031	17" GREEN ECOSTRIP PAD - CASE 10	
	5990731	SPRING CLIP PAD HOLDER SET	
	3390891	17" POLYBLOCK TUFT PAD DRIVER	
	3390511	17" POLYBLOCK NYLON BRUSH	
	3390521	17" POLYBLOCK NYLON GRIT BRUSH	
	3390531	17" POLYBLOCK WIRE SCRUB BRUSH	
	3390901	17" POLYBLOCK SCRUB GRIT BRUSH	
	7691839	HEADLIGHT KIT	
	7692021	HEADLIGHT BULB	
	7691829	OVERHEAD LIGHT KIT	
	7692031	STROBE LIGHT BULB	
	2690951	BATTERY - 325 AMP HOUR - 6 VOLT DC - DRY	
	2691501	BATTERY - 325 AMP HOUR - 6 VOLT DC - WET	
	3390361	BATTERY - 225 AMP HOUR - 6 VOLT DC - WET	
	7692141	AUTO FILL BATTERY SYSTEM	
	7692181	LOW WATER BATTERY ALARM	
	7694071	OFF BOARD CHARGER ADAPTOR	
	3393361	VAC MOTOR - 36 VOLT	
	7693851	VAC MOTOR, 36VOLT	
	2392129	WET PICKUP KIT, INCLUDES:	
	2291211	5" CONNECTOR, ALUMINUM	
	2391231	VACUUM HOSE, 7 FOOT	
	2391241	HOSE STRAP	
	5797011	TOOL - SQUEEGEE WITH WHEELS - 15"	
	5790469	WAND SET 1 1/2 - INCLUDES	
	5790471	LOWER WAND - 1 1/2"	
	5790481	UPPER WAND - 1 1/2"	
	2392179	BRUSH / SQUEEGEE KIT, INCLUDES:	
	2291211	5" CONNECTOR, ALUMINUM	
	2290209	STEEL WAND, 1 PIECE	
	2391231	VACUUM HOSE, 7 FOOT	
	3097849	14" BRUSH / SQUEEGEE TOOL	
	7691881	SLIP RESISTANT 12 X 3 1/2 WHEEL	



NSS® Enterprises, Inc.

3115 Frenchmens Road, Toledo, Ohio 43607
 PHONE (419) 531-2121 FAX (419) 531-3761
NSS® Enterprises, Inc. European Distribution Centre
 Unit II, Pinfold Trading Estate * 55 Nottingham Road
 STAPLEFORD, NOTTINGHAM NG9 8AD ENGLAND U.K.
 PHONE: (44) 0115 939 1568 * FAX: (44) 0115 949 0615