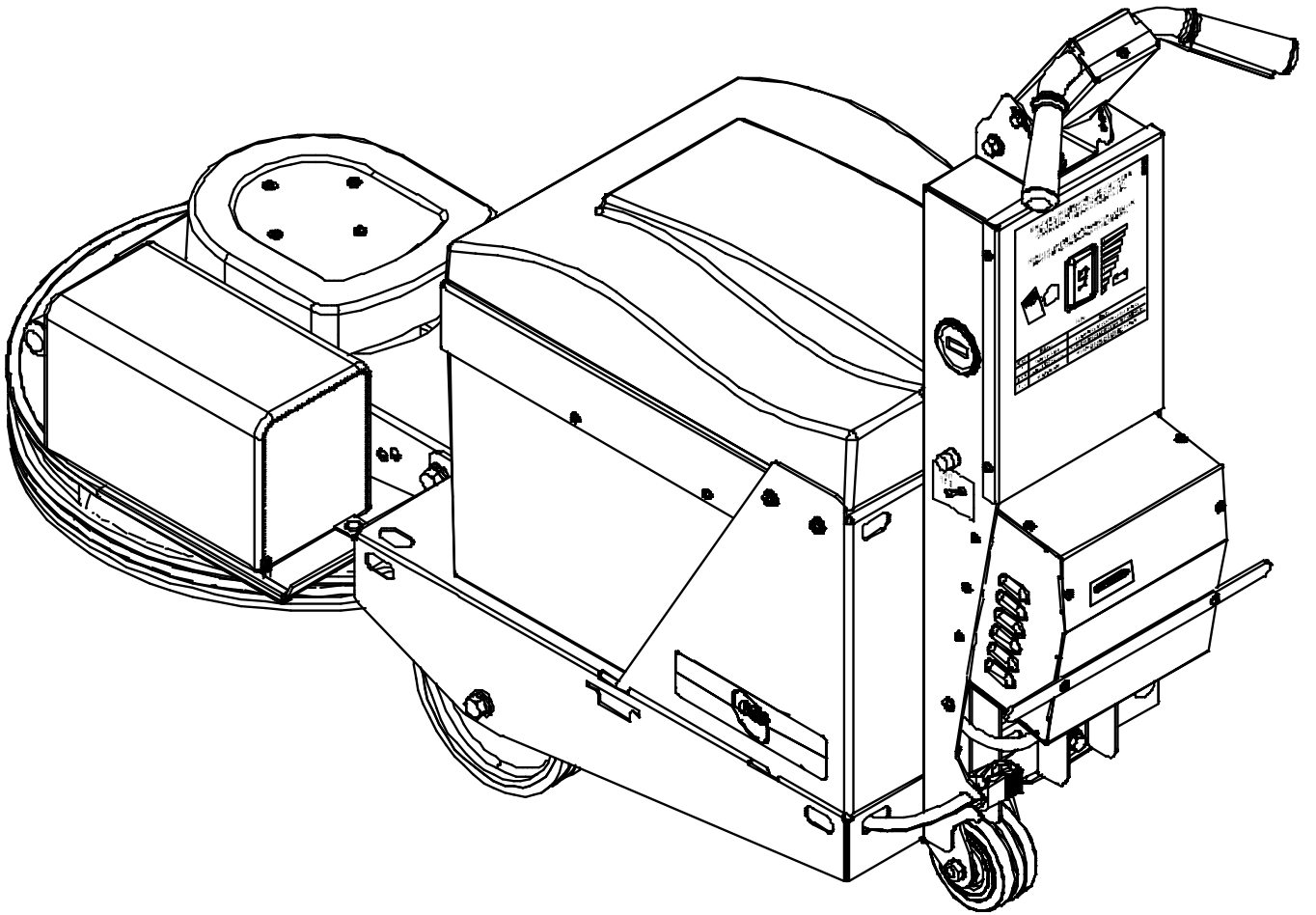
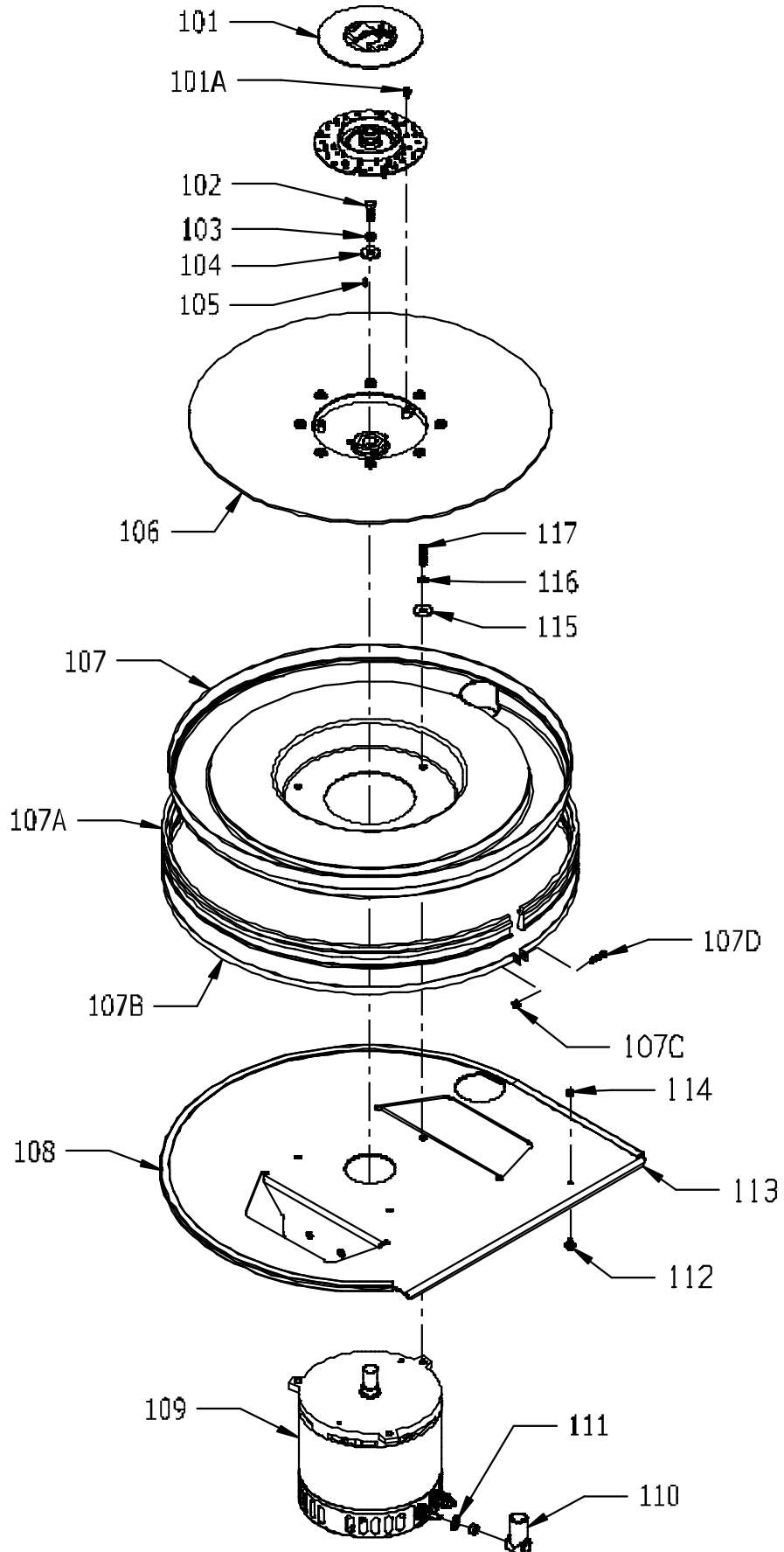


PARTS LIST
CHARGER 2022 ABLT



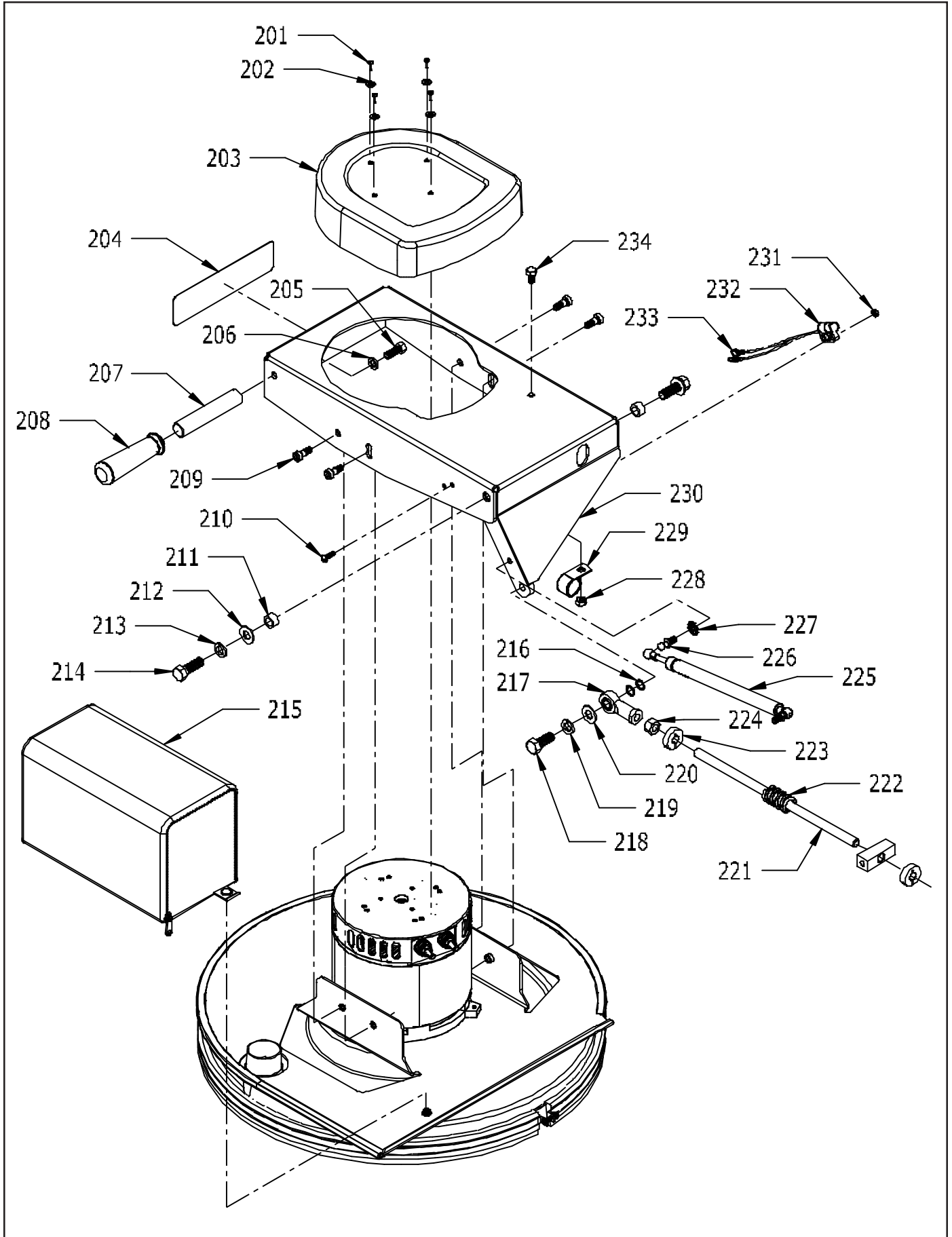
<u>ITEM</u>	<u>PART NO.</u>	<u>PART DESCRIPTION</u>	<u>QTY.</u>
101	5990731	SPRING CLIP PAD HOLDER SET - INCLUDES:	1
101A	9120205	8 X 1/2 PAN HEAD PHILLIPS SHEET METAL SCREW - PACK OF 3	3
102	9121490	5/16-24 X 7/8 HEX BOLT - PACK OF 2	1
103	9121520	5/16 SPLIT LOCK WASHER - PACK OF 10	1
104	9121985	13/32 I.D. X 1 O.D. X .12 THICK FLAT WASHER 11 GAGE - PACK OF 1	1
105	9120827	3/16 SQUARE X 1" LONG KEY - STEEL - PACK OF 2	1
106	6492581	20" PAD DRIVER	1
107	6497489	FLEXIWALL SHIELD ASSEMBLY - INCLUDES:	1
107A	6490191	BUMPER / BRUSH	1
107B	6490732	BUMPER STRAP	1
107C	9120350	10-24 HEX NUT WITH NY-LOCK INSERT - PACK OF 10	1
107D	9120450	10-24 X 1 ROUND HEAD PHILLIPS MACHINE SCREW - PACK OF 10	1
108	9997590	METAL CORE QUICKEDGE TRIM - CUT TO 55"	4.6
109	6497881	MOTOR 2HP, 24VOLT, 2500 RPM	1
110	7692421	TERMINAL BOOT (RED)	1
111	9121410	5/16 EXTERNAL STAR LOCK WASHER - PACK OF 10	2
112	6496881	STUD WITH #10-32 X 3/8, FILTER BAG	1
113	6497241	SKIRT / MOTOR MOUNT 20"	1
114	9120660	10-32 X HEX NUT WITH NY-LOCK INSERT - PACK OF 10	1
115	9120950	1/4 X 1 1/4 FENDER WASHER - PACK OF 10	3
116	9120880	1/4 SPLIT LOCK WASHER - PACK OF 10	3
117	9120980	1/4-20 X 1 SOCKET HEAD CAP SCREW - PACK OF 5	3

HEAD ASSEMBLY



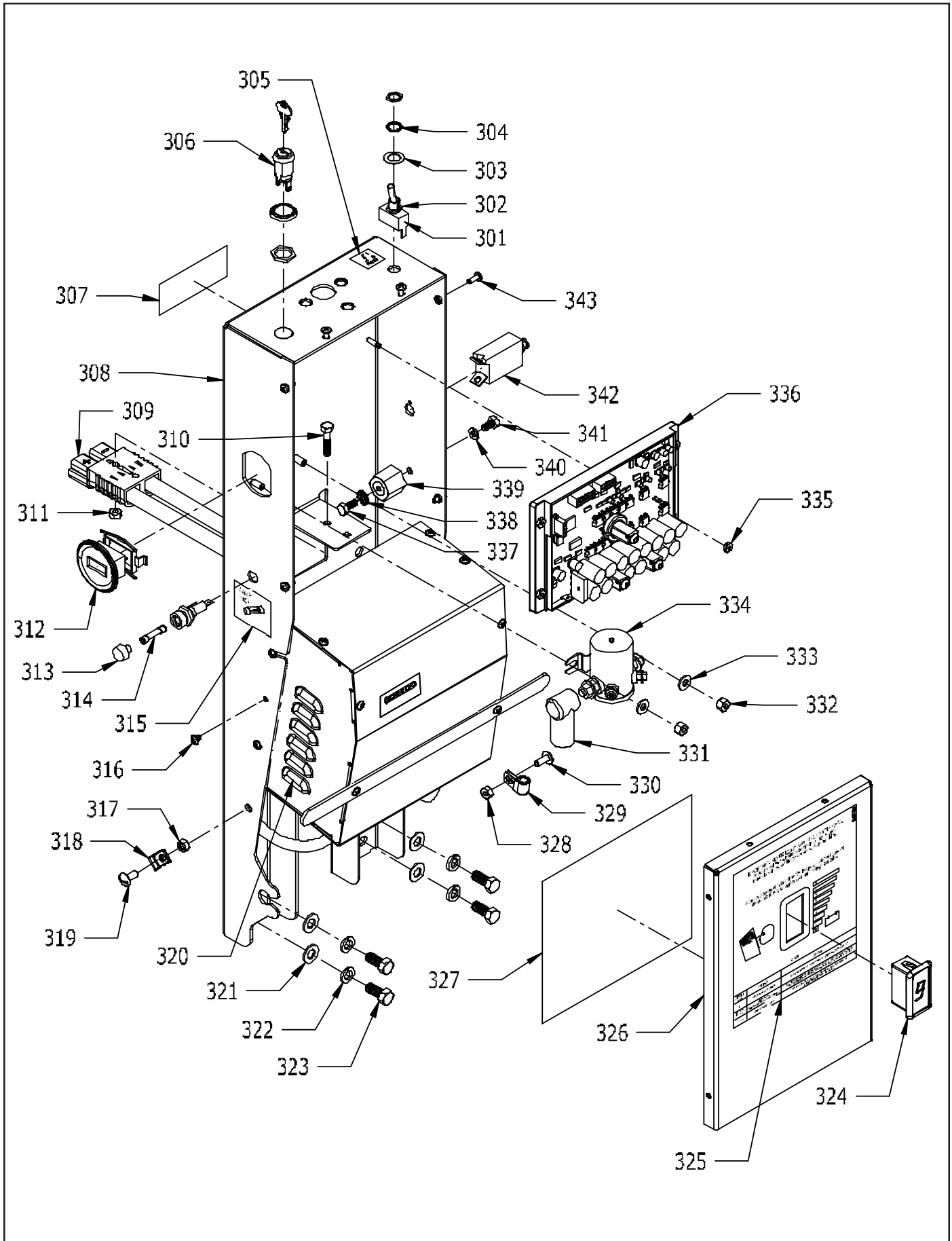
<u>ITEM</u>	<u>PART NO.</u>	<u>PART DESCRIPTION</u>	<u>QTY.</u>
201	9120600	10-24 X 1/2 PAN HEAD PHILLIPS THREAD CUTTING SCREW - PACK OF 10	4
202	9120370	7/32 I.D. X 1/2 O.D. X .032/.065 THICK FLAT WASHER (#10) - PACK OF 10	4
203	6497281	MOTOR COVER	1
204	4792321	CLOUD BURST DECAL - 2 X 8	1
205	9122260	3/8-16 X 1 HEX BOLT - PACK OF 2	1
206	9122100	3/8 SPLIT LOCK WASHER - PACK OF 10	1
207	6496651	GRIP BASE	1
208	3392901	HANDLE GRIP	1
209	9122020	3/8 X 3/8 SOCKET HEAD SHOULDER BOLT - PACK OF 1	4
210	9120530	10-24 X 7/8 TRUSS HEAD PHILLIPS MACHINE SCREW - PACK OF 5	2
211	4492791	BUSHING, PIVOT	2
212	9122450	17/32 I.D. X 1 1/16 O.D. X .074/.121 THICK FLAT WASHER (1/2) - PACK OF 5	2
213	9122420	1/2 SPLIT LOCK WASHER - PACK OF 5	2
214	9122550	1/2-13 X 1 1/2 HEX BOLT - PACK OF 1	2
215	6497311	BAG, FILTER MEDIA	1
216	1090981	SPACER, SWITCH GUARD	2
217	2391941	BALL JOINT	1
218	9122550	1/2-13 X 1-1/2 HEX BOLT - PACK OF 1	1
219	9122420	1/2 SPLIT LOCK WASHER - PACK OF 5	1
220	9122450	17/32 I.D. X 1-1/16 O.D. X .074/.121 THICK FLAT WASHER (1/2) - PACK OF 5	1
221	6497801	GUIDE, SPRING	1
222	6496671	COMPRESSION SPRING 1.75 X .935 O.D.	1
223	3393891	COLLAR, SHAFT 1/2"	2
224	9122670	1/2-20 HEX JAM NUT - PACK OF 5	1
225	6496531	GAS SPRING (GGS 23-120 I) - INCLUDES:	1
	6496771	SPRING CLIP	2
226	6496541	BALL STUD - GAS SPRING MOUNT	1
227	9121410	5/16 EXTERNAL STAR LOCK WASHER - PACK OF 10	2
228	9121450	5/16-18 HEX NUT WITH NY-LOCK INSERT - PACK OF 5	1
229	2395761	CLAMP, TUBE	1
230	6497781	ARM, BRUSH ASSEMBLY	1
231	9120350	10-24 HEX NUT WITH NY-LOCK INSERT - PACK OF 10	2
232	6496781	TILT SWITCH	1
233	4991371	FULLY INSULATED MALE TERMINAL 22-18 GAGE	2
234	9121600	5/16-18 X 5/8 HEX NUT - PACK OF 5	1

HEAD ARM ASSEMBLY



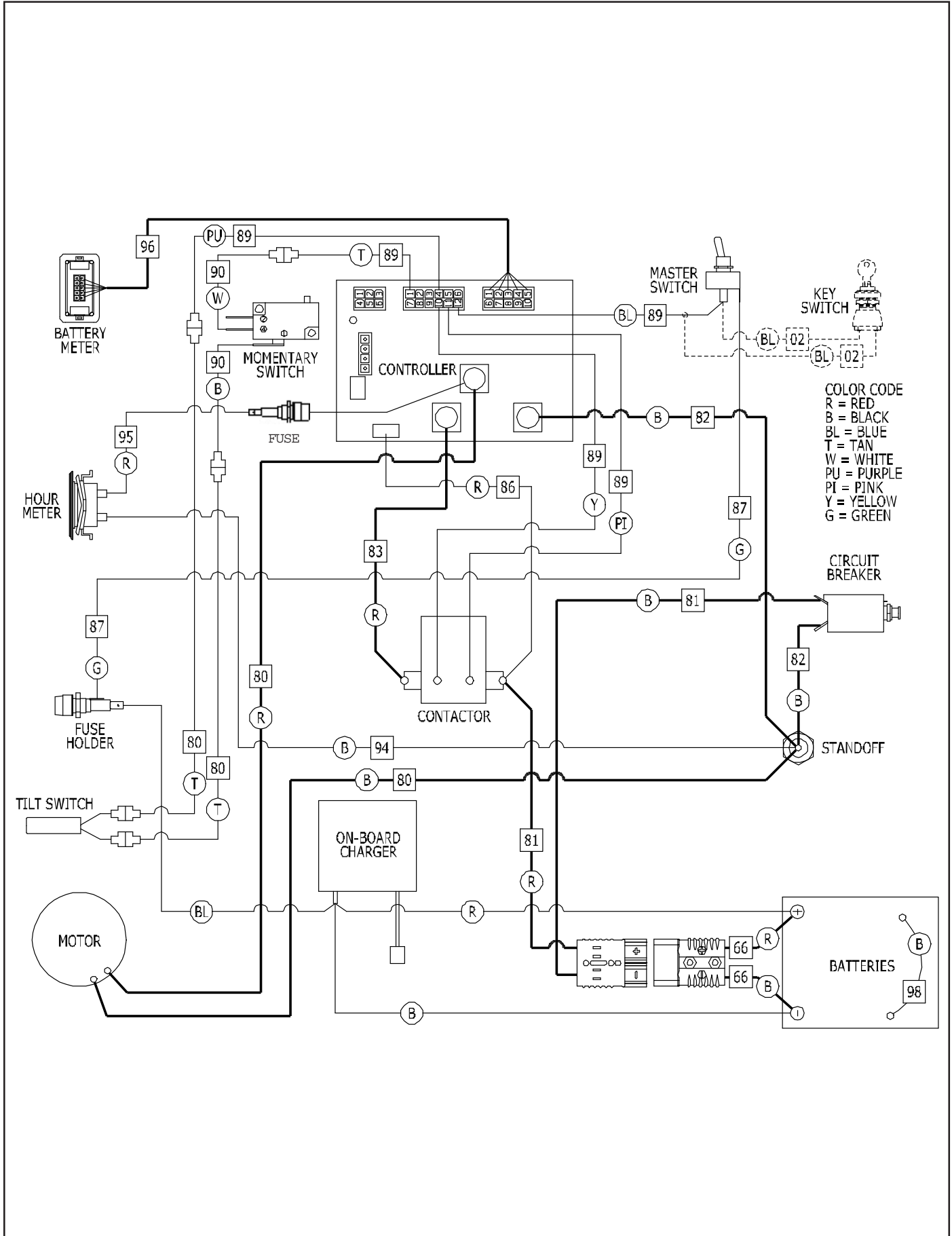
<u>ITEM</u>	<u>PART NO.</u>	<u>PART DESCRIPTION</u>	<u>QTY.</u>
301	4491101	TOGGLE SWITCH, MOTOR	1
302	0798821	5/8" HEX NUT (LARGE NUT)	1
303	9122465	.516 I.D. X .813 O.D. X .027/.030 THICK FLAT WASHER - PACK OF 2	1
304	0691851	1/2 INTERNAL STAR LOCK WASHER	1
305	6497831	DECAL, MASTER SWITCH	1
306	6497039	KEY SWITCH KIT (OPTIONAL) - INCLUDES:	1
	7692511	KEY SWITCH & KEY	1
	6497021	WIRE ASSEMBLY, KEY SWITCH	1
307	6497841	NAMING LABEL, CHARGER 2022 ABLT	1
308	6497711	CONTROL PANEL	1
309	6497891	WIRE ASSEMBLY, ANDERSON - MACHINE	1
310	9121060	1/4-20 X 1 1/4 HEX BOLT - PACK OF 5	2
311	9120900	1/4-20 HEX NUT WITH NY-LOCK INSERT - PACK OF 10	2
312	2397361	HOUR METER	1
313	4990321	FUSE HOLDER WITH NUT	1
314	6496451	FAST-ACTING FUSE 2 AMP	1
315	3394721	FUSE DECAL	1
316	9120810	10 X 1/2 PAN HEAD PHILLIPS MACHINE SCREW - PACK OF 10	4
317	9120900	1/4-20 HEX NUT WITH NY-LOCK INSERT - PACK OF 10	1
318	4890851	CABLE CLAMP #COV-090 KMC	1
319	9121000	1/4-20 X 5/8 TRUSS HEAD PHILLIPS MACHINE SCREW - PACK OF 5	1
320	2695851	24 VOLT ON-BOARD CHARGER 25A DP - 100/115/230 50/60 HZ INPUT	1
320	6495701	120 VOLT ON-BOARD CHARGER CORD	1
320	6495711	240 VOLT ON-BOARD CHARGER CORD	1
321	9122180	13/32 I.D. X 13/16 O.D. X .051/.080 THICK WROUGHT WASHER(3/8)-PACK OF 10	4
322	9122100	3/8 SPLIT LOCK WASHER - PACK OF 10	4
323	9122260	3/8-16 X 1 HEX BOLT - PACK OF 2	4
324	6496971	BATTERY METER WITH HARNESS - INCLUDES:	1
	6496981	BATTERY METER DISPLAY	1
	6496961	WIRE HARNESS, BATTERY METER - 10 PIN	1
325	6497361	BATTERY METER/CODES DECAL AB	1
326	6497721	COVER, CONTROL PANEL	1
327	6497821	WIRING DIAGRAM DECAL AB	1
328	9120900	1/4-20 HEX NUT WITH NY-LOCK INSERT - PACK OF 10	1
329	3291111	CORD CLAMP	1
330	9121000	1/4-20 X 5/8 TRUSS HEAD PHILLIPS MACHINE SCREW - PACK OF 5	1
331	7692421	TERMINAL BOOT (RED)	1
332	9120890	1/4-20 HEX NUT WITH NY-LOCK INSERT - THIN - PACK OF 5	2
333	9120930	9/32 I.D. X 5/8 O.D. X .051/.080 THICK FLAT WASHER (1/4) - PACK OF 10	2
334	2391351	CONTACTOR, 24 VOLT	1
335	9120191	8-32 HEX NUT WITH NY-LOCK INSERT - PACK OF 10	4
336	6497871	CONTROLLER 2022 ABLT	1
	9120970	1/4 EXTERNAL STAR LOCK WASHER - PACK OF 10	3
	9120985	1/4-28 X 3/8 PAN HEAD PHILLIPS MACHINE SCREW	3
337	9121210	1/4-20 X 5/8 HEX BOLT - PACK OF 10	1
338	9120970	1/4 EXTERNAL STAR LOCK WASHER - PACK OF 10	1
339	4490561	INSULATED STANDOFF	1
340	9120880	1/4 SPLIT LOCK WASHER - PACK OF 10	1
341	9121170	1/4-20 X 1/2 HEX BOLT - PACK OF 10	1
342	6491261	CIRCUIT BREAKER - 90 AMP	1
343	9120510	10-24 X 1/2 TRUSS HEAD PHILLIPS MACHINE SCREW - PACK OF 10	6

CONTROL PANEL ASSEMBLY



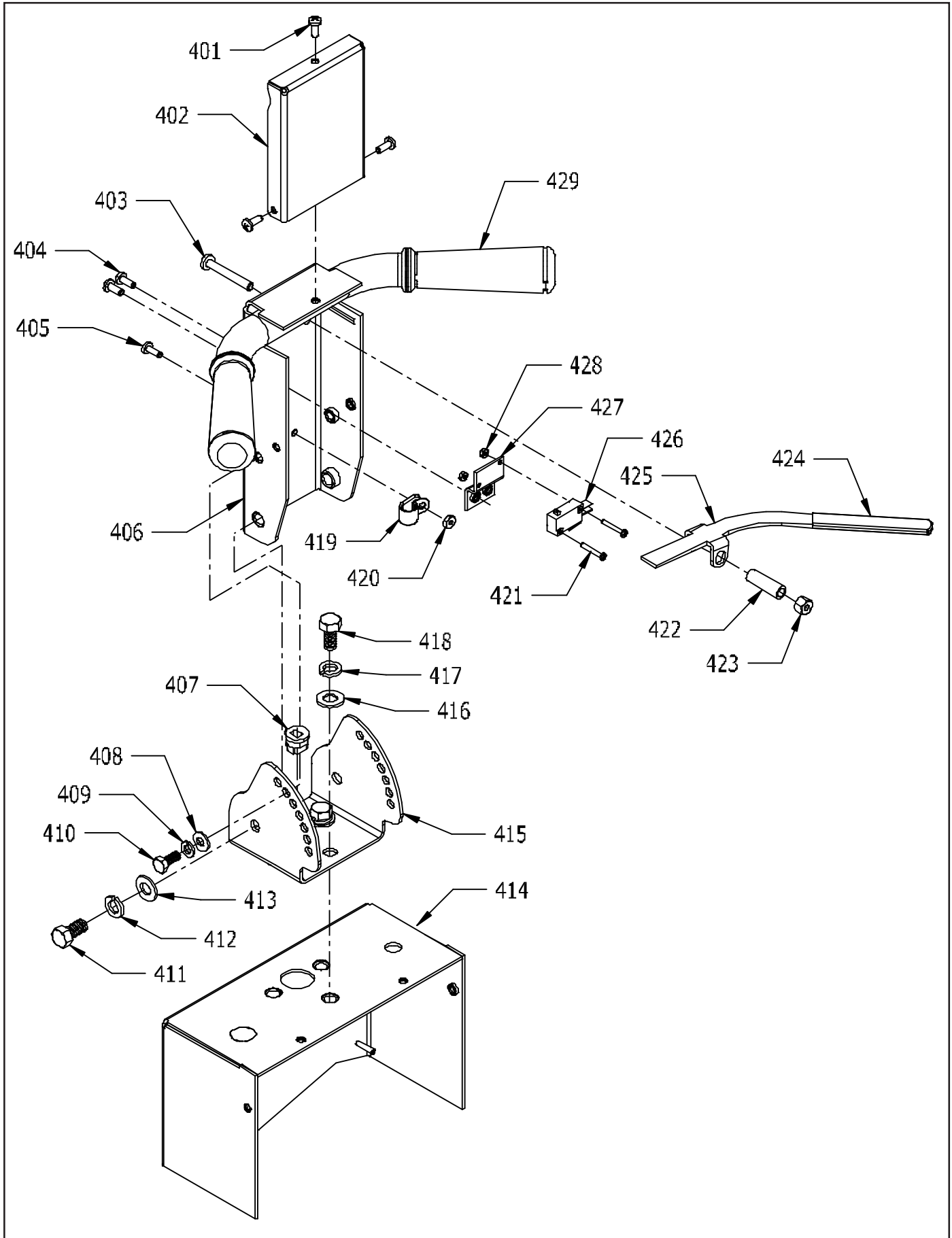
<u>ITEM</u>	<u>PART NO.</u>	<u>PART DESCRIPTION</u>	<u>QTY.</u>
66	6497981	WIRING ASSEMBLY ANDERSON TO BATTERY	1
80	6497901	WIRE HARNESS, BRUSH MOTOR	1
81	6497891	WIRE ASSEMBLY, ANDERSON - MACHINE	1
82	6496821	WIRE, BREAKER TO STANDOFF	2
83	6497911	WIRE, SOLENOID TO CONTROLLER	1
86	6497971	WIRE, SOLENOID TO AB CONTROLLER	1
87	6496871	WIRE, FUSE HOLDER - MASTER SWITCH	1
89	6497961	WIRE HARNESS, CONTROLLER - 12 PIN	1
90	6497991	WIRE ASSEMBLY, BRUSH SWITCH	1
94	6496941	WIRE, HOUR METER TO STANDOFF	1
95	6496951	WIRE, WITH 2 AMP FUSE AND HOLDER	1
98	2391981	BATTERY JUMPER 3/8" RING	3
--	2397361	HOUR METER WITH / CLAMP	1
--	4490561	INSULATED STANDOFF	1
--	2391351	CONTACTOR, 24 VOLT	1
--	4491101	TOGGLE SWITCH	1
--	4990321	FUSE HOLDER WITH NUT & WASHER	1
--	4991371	FULLY INSULATED MALE TERMINAL 22-18	2
--	6491261	CIRCUIT BREAKER - 90 AMP	1
--	2695851	24 VOLT ON-BOARD CHARGER 120/240 VOLT 25 AMP	1
--	6495701	120 VOLT ON-BOARD CHARGER CORD	1
--	6495711	240 VOLT ON-BOARD CHARGER CORD	1
--	0396271	TYPE I CORD (CHINA)	1
--	6496451	FAST-ACTING FUSE 2 AMP	1
--	6497881	MOTOR 2500 RPM, 24 VOLT	1
--	6497871	CONTROLLER 2022 ABLT (0105-0003)	1
--	6496781	TILT SWITCH	1
--	6496971	BATTERY METER WITH HARNESS	1
--	6496981	BATTERY METER DISPLAY	1
96	6496961	WIRE HARNESS, BATTERY METER - 10 PIN	1
--	6497039	KEY SWITCH KIT (OPTIONAL) - INCLUDES:	1
--	7692511	KEY SWITCH & KEY	1
02	6497021	WIRE ASSEMBLY, KEY SWITCH	1
--	6990041	SWITCH, 10 AMP MOMENTARY	1

WIRE DIAGRAM



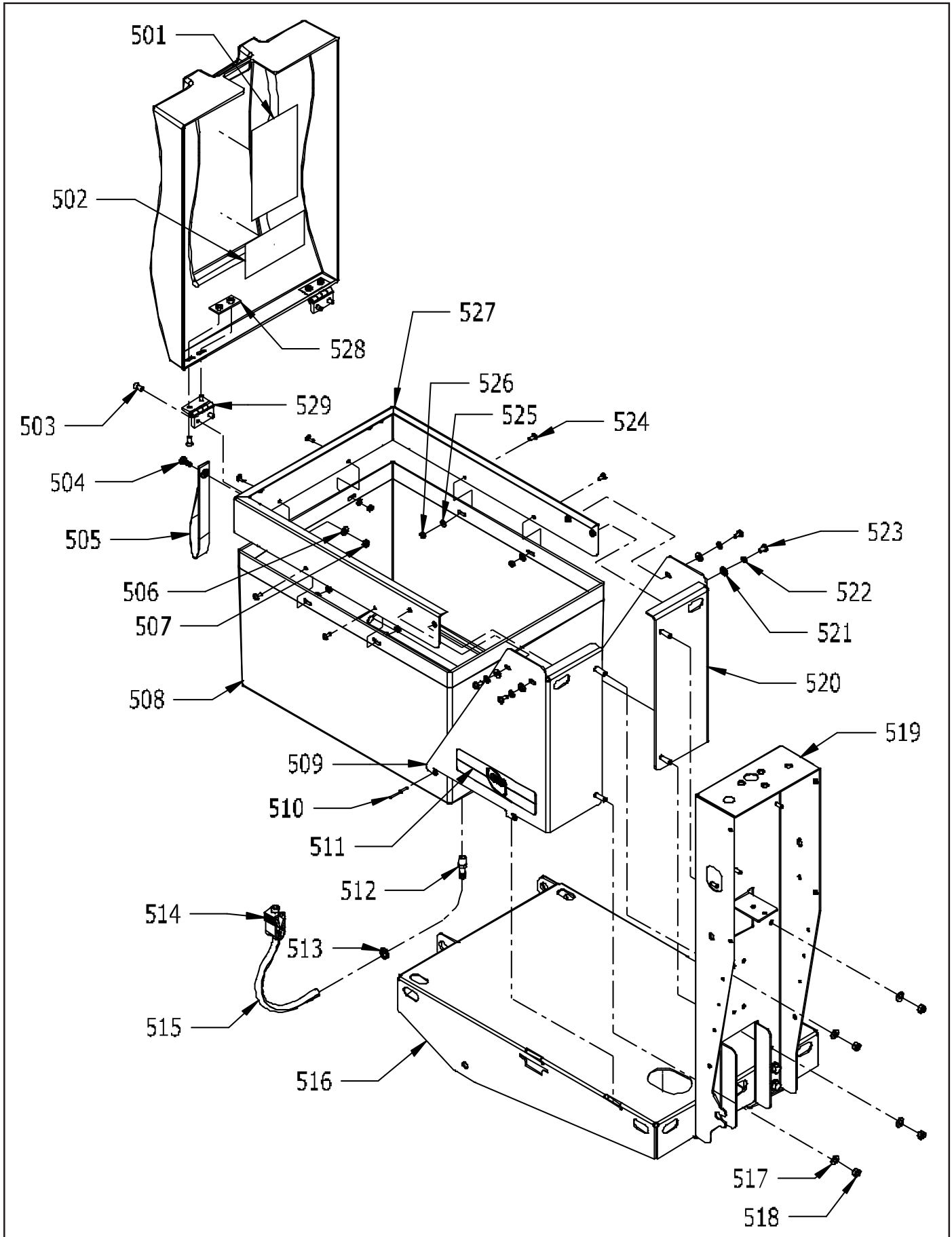
<u>ITEM</u>	<u>PART NO.</u>	<u>PART DESCRIPTION</u>	<u>QTY.</u>
401	9120600	10-24 X 1/2 PAN HEAD PHILLIPS THREAD CUTTING SCREW - PACK OF 10	3
402	6497681	COVER, HANDLE	1
403	9121070	1/4-20 X 1-3/4 ROUND HEAD PHILLIPS MACHINE SCREW - PACK OF 5	1
404	9120520	10-24 X 5/8 TRUSS HEAD PHILLIPS MACHINE SCREW - PACK OF 10	2
405	9120520	10-24 X 5/8 TRUSS HEAD PHILLIPS MACHINE SCREW - PACK OF 10	1
406	6497631	HANDLE	1
407	6990081	DOUBLE D STRAIN RELIEF	1
408	9120930	9/32 I.D. X 5/8 O.D. X .051/.080 THICK FLAT WASHER - PACK OF 10	2
409	9120880	1/4 SPLIT LOCK WASHER - PACK OF 10	2
410	9121210	1/4-20 X 5/8 HEX BOLT - PACK OF 10	2
411	9122220	3/8-16 X 3/4 HEX BOLT - PACK OF 5	2
412	9122100	3/8 SPLIT LOCK WASHER - PACK OF 10	2
413	9121980	7/16 I.D. X 1 O.D. X .075/.080 THICK FLAT WASHER - PACK OF 2	2
414	6497711	PANEL, CONTROL	1
415	6497671	MOUNT, HANDLE	1
416	9121980	7/16 I.D. X 1 O.D. X .075/.080 THICK FLAT WASHER - PACK OF 2	3
417	9122100	3/8 SPLIT LOCK WASHER - PACK OF 10	3
418	9122220	3/8-16 X 3/4 HEX BOLT - PACK OF 5	3
419	4894071	CLAMP, .437 DIAMETER CABLE HEYCO	1
420	9120350	10-24 HEX NUT WITH NY-LOCK INSERT - PACK OF 10	1
421	9120017	4-40 X 3/4 PAN HEAD PHILLIPS MACHINE SCREW - PACK OF 2	2
422	2490691	SPACER	1
423	9120900	1/4-20 HEX NUT WITH NY-LOCK INSERT - PACK OF 10	1
424	0393411	GRIP, SWITCH LEVER	1
425	6497651	LEVER, SWITCH	1
426	6990041	SWITCH, 10 AMP MOMENTARY	1
427	6497661	BRACKET, SWITCH	1
428	9120010	4-40 HEX NUT WITH NY-LOCK INSERT - PACK OF 5	2
429	6590411	HANDLE GRIP	2

HANDLE ASSEMBLY

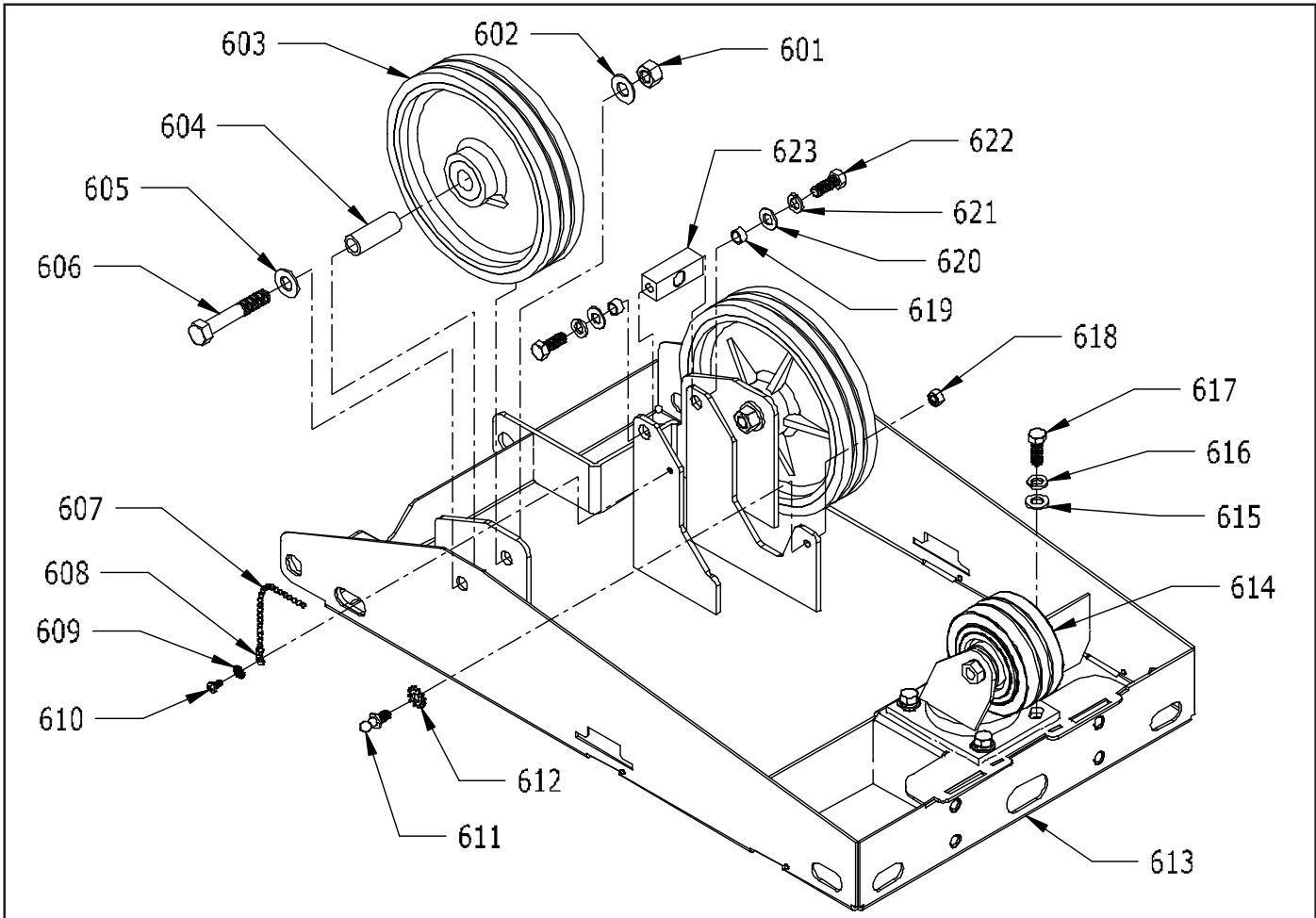


<u>ITEM</u>	<u>PART NO.</u>	<u>PART DESCRIPTION</u>	<u>QTY.</u>
501	6497641	LABEL, 24 VOLT BATTERY CONNECTION	1
502	3394141	OBC WARNING DECAL	1
503	9121035	1/4-20 X 7/8 FLAT HEAD PHILLIPS MACHINE SCREW - PACK OF 5	8
504	9121010	1/4-20 X 3/4 TRUSS HEAD PHILLIPS MACHINE SCREW - PACK OF 5	1
505	6497051	BRUSH HEAD RETAINING STRAP	1
506	9120930	9/32 I.D. X 5/8 O.D. X .051/.080 THICK FLAT WASHER (1/4) - PACK OF 10	1
507	9120900	1/4-20 HEX NUT WITH NY-LOCK INSERT - PACK OF 10	1
508	6497951	BODY AND LID	1
509	6497751	PANEL, LEFT SIDE SUPPORT	1
510	9120309	1/8 X 1/2 DOME HEAD POP RIVET - STEEL - PACK OF 5	4
511	4792321	CLOUD BURST DECAL - 2 X 8	2
512	2397551	1/4 NPT X 3/8 STRAIGHT FITTING HDPE	1
513	2392481	HOSE CLAMP, 7/32" - 5/8" DIAMETER	1
514	3390661	TUBING CONTROL VALVE	1
515	8791070	VINYL HOSE, 3/8" I.D. X 1/2" O.D.	1.3
516	6497731	FRAME, MAIN	1
517	9121390	11/32 I.D. X 11/16 O.D. X .051/.080 THICK FLAT WASHER - PACK OF 10	4
518	9121450	5/16-18 HEX NUT WITH NY-LOCK INSERT - PACK OF 5	4
519	6497711	PANEL, CONTROL	1
520	6497741	PANEL, RIGHT SIDE SUPPORT	1
521	9120930	9/32 I.D. X 5/8 O.D. X .051/.080 THICK FLAT WASHER (1/4) - PACK OF 10	4
522	9120880	1/4 SPLIT LOCK WASHER - PACK OF 10	4
523	9121000	1/4-20 X 5/8 TRUSS HEAD PHILLIPS MACHINE SCREW - PACK OF 5	4
524	9120510	10-24 X 1/2 TRUSS HEAD PHILLIPS MACHINE SCREW - PACK OF 10	6
525	9120370	7/32 I.D. X 1/2 O.D. X .032/.065 THICK FLAT WASHER (#10) - PACK OF 10	6
526	9120350	10-24 HEX NUT WITH NY-LOCK INSERT - PACK OF 10	6
527	6497761	SUPPORT, BATTERY BOX AND LID	1
528	6497941	MOUNTING PLATE, HINGE	2
529	6497811	LID HINGE	2

LID AND SIDE ASSEMBLY

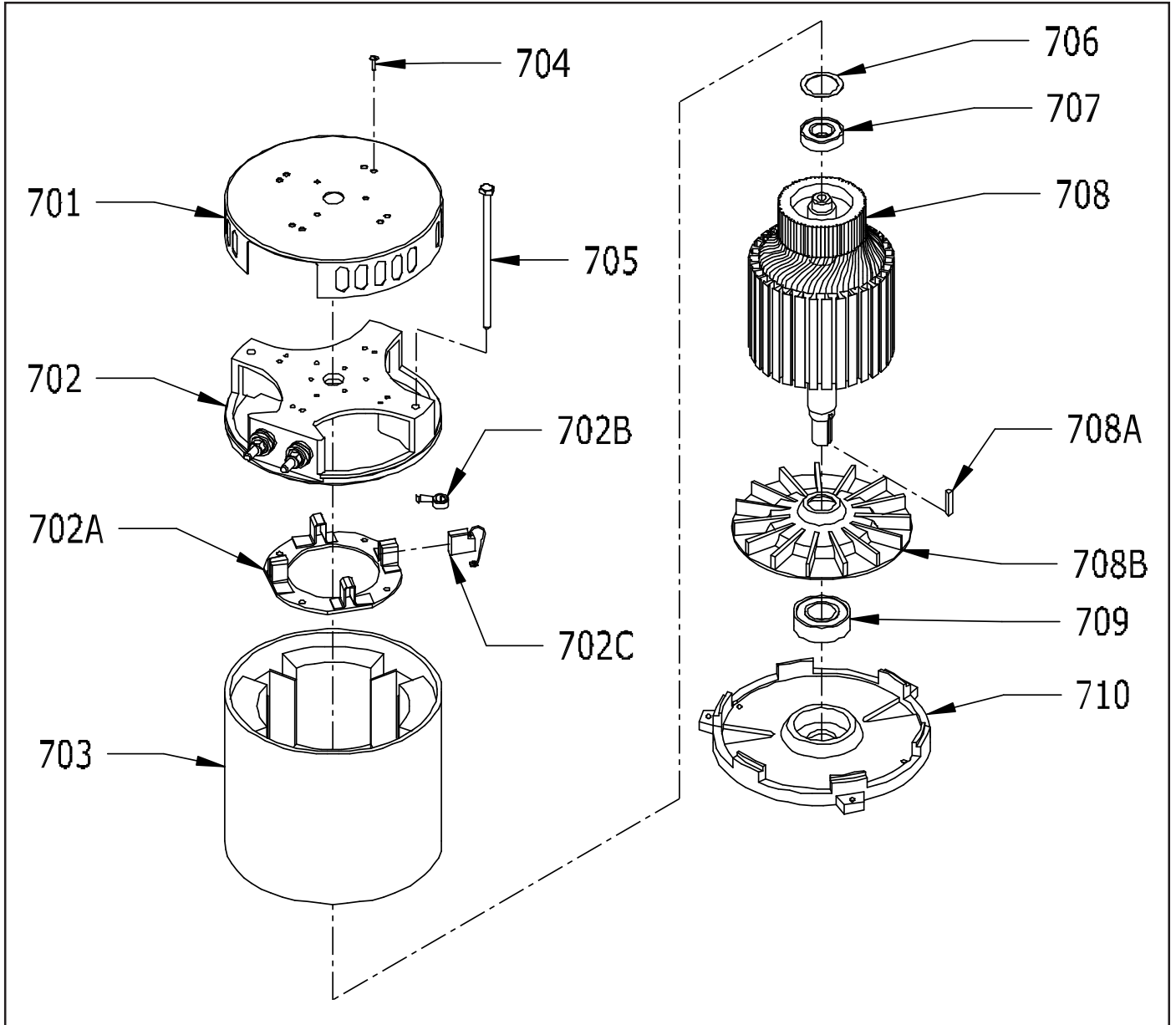


CHASSIS ASSEMBLY



ITEM	PART NO.	PART DESCRIPTION	QTY.
601	9122507	1/2-13 HEX NUT WITH NY-LOCK INSERT - PACK OF 1	2
602	9122450	17/32 I.D. X 1-1/16 O.D. X .074/.121 THICK FLAT WASHER - PACK OF 5	2
603	2393781	WHEEL 8" O.D. X 3/4" BORE	2
	2393681	BEARING FOR WHEEL 2393781 (2 PER WHEEL)	4
604	6497771	AXLE	2
605	9122450	17/32 I.D. X 1-1/16 O.D. X .074/.121 THICK FLAT WASHER - PACK OF 5	2
606	9122658	1/2-13 X 3 HEX BOLT	2
607	6491860	ROUND BEAD CHAIN - CUT TO 5"	.4
608	6491871	END COUPLING ROUND BEAD CHAIN	1
609	9120330	#10 EXTERNAL STAR LOCK WASHER - PACK OF 10	1
610	9120380	10-24 X 3/8 ROUND HEAD PHILLIPS MACHINE SCREW - PACK OF 10	1
611	6496541	BALL STUD - GAS SPRING MOUNT	1
612	9121410	5/16 EXTERNAL STAR LOCK WASHER - PACK OF 10	1
613	6497731	MAIN FRAME	1
614	6492061	RED 4 INCH CASTER	1
	4490391	REPLACEMENT RED CASTER WHEEL ONLY	1
615	9122180	13/32 X 13/16 X .051 THICK WASHER - PACK OF 10	4
616	9122100	3/8 SPLIT LOCK WASHER - PACK OF 10	4
617	9122260	3/8-16 X 1 HEX BOLT - PACK OF 2	4
618	9121420	5/16-18 HEX NUT - PACK OF 10	1
619	2691181	PIVOT SPACER, STABILIZER BAR	2
620	9122180	13/32 X 13/16 X .051 THICK WASHER - PACK OF 10	2
621	9122100	3/8 SPLIT LOCK WASHER - PACK OF 10	2
622	9122260	3/8-16 X 1 HEX BOLT - PACK OF 2	2
623	6495891	PIVOT	1

HEAD MOTOR



<u>ITEM</u>	<u>PART NO.</u>	<u>DESCRIPTION</u>	<u>QTY.</u>
	6497881	MOTOR 2HP, 24VOLT, 2500 RPM - INCLUDES:	1
701	5991731	COMMUTATOR BRACKET COVER	1
702	6493531	COMMUTATOR BRACKET ASSEMBLY - INCLUDES:	1
702	6493541	COMMUTATOR BRACKET	1
702A	6493601	BRUSH BOARD ASSEMBLY - INCLUDES:	1
702A1	6493591	SPRING	4
702A2	7692041	CARBON BRUSH	4
703	5991521	STATOR FRAME ASSEMBLY - WITH CLIPS AND MAGNETS	1
704	9120600	10-24 X 1/2 PAN HEAD PHILLIPS THREAD CUTTING SCREW - PK 10	4
705	5991701	THRU BOLT	2
706	5991741	HELICAL WASHER - LARGE	1
707	5991551	BEARING - TOP END	1
708	6493611	ARMATURE - 2500 RPM - INCLUDES:	1
708A	9120827	3/16 SQUARE X 1 LONG KEY - STEEL - PACK OF 2	1
708B	6493571	ALUMINUM FAN	1
709	5991541	BEARING - BOTTOM END	1
710	6493551	END BRACKET - BOTTOM END	1

ACCESSORIES



PART NO.

PART DESCRIPTION

NOTE:

7992051	20" LITE BLUE POLISH / BURNISH PAD - FOR SOFT FINISH
7992061	20" LITE HAIR BURNISH PAD - FOR ALL FINISHES
7992081	20" ULTRA HAIR HARD FINISH PAD - FOR HARD FINISH
7992091	20" ULTIMATE HAIR PAD - HARD FINISH AGGRESSIVE BURNISHING
7992021	20" GREEN SCRUB PAD - HEAVY FINISH REMOVAL
7992001	20" BLACK STRIP PAD - REMOVES FINISH COMPLETELY
7992011	20" BROWN STRIP PAD - REMOVES FINISH COMPLETELY

TWISTER PADS

7992201	20" TWISTER STARTER KIT
7992141	20" TWISTER RED PAD
7992131	20" TWISTER WHITE PAD
7992121	20" TWISTER YELLOW PAD
7992101	20" TWISTER GREEN PAD



NSS ® Enterprises, Inc.

3115 Frenchmens Road, Toledo, Ohio 43607
PHONE (419) 531-2121 FAX (419) 531-3761

NSS ® Enterprises, Inc. European Distribution Centre
Unit II, Pinfold Trading Estate * 55 Nottingham Road
STAPLEFORD, NOTTINGHAM NG9 8AD ENGLAND U.K.
PHONE: (44) 0115 939 1568 * FAX: (44) 0115 949 0615

NSS Asia Limited Shanghai
501 LiYuan Road, Building A7, Suite 7112
Lu Wan District, Shanghai, China 6137125