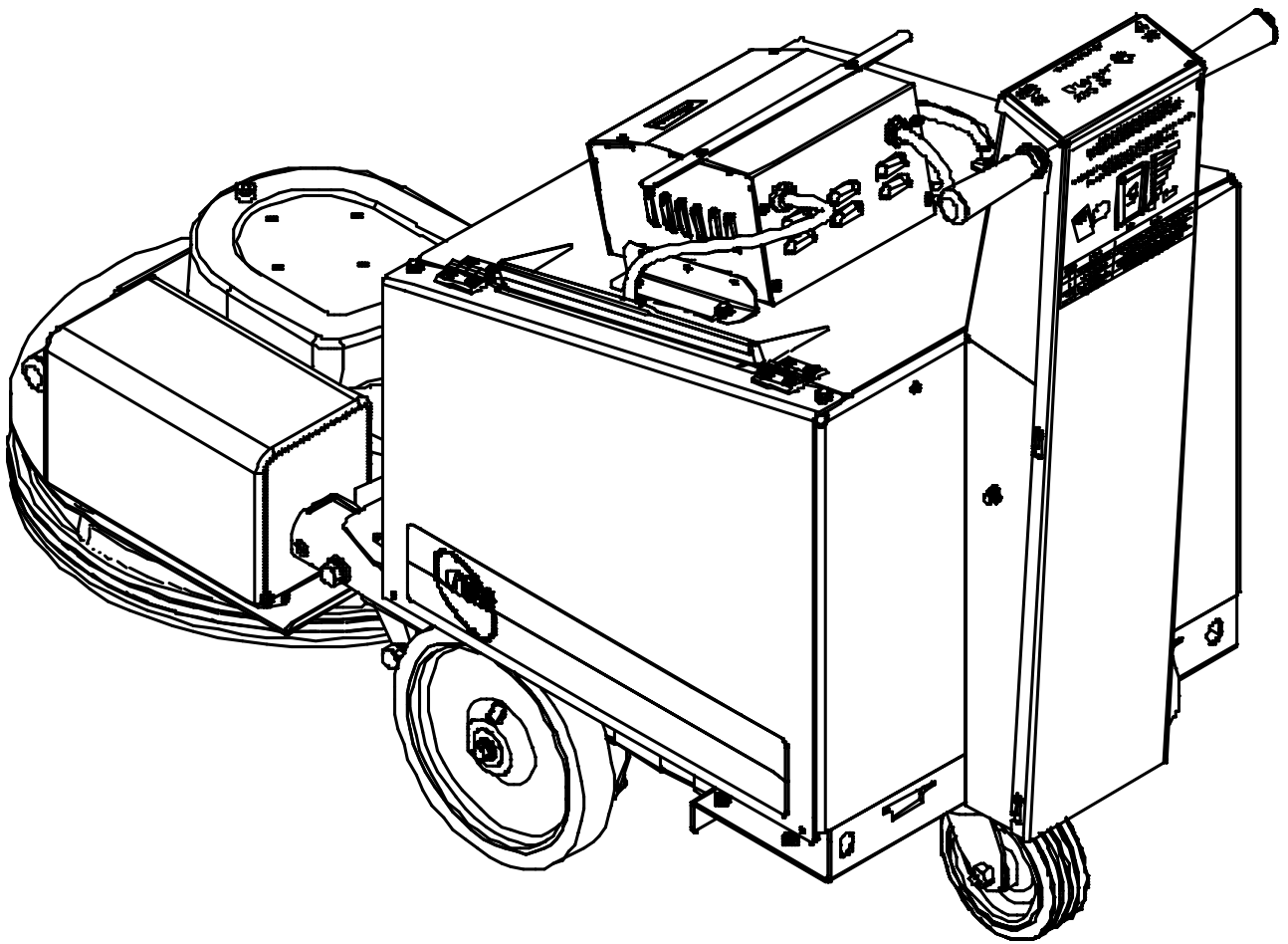
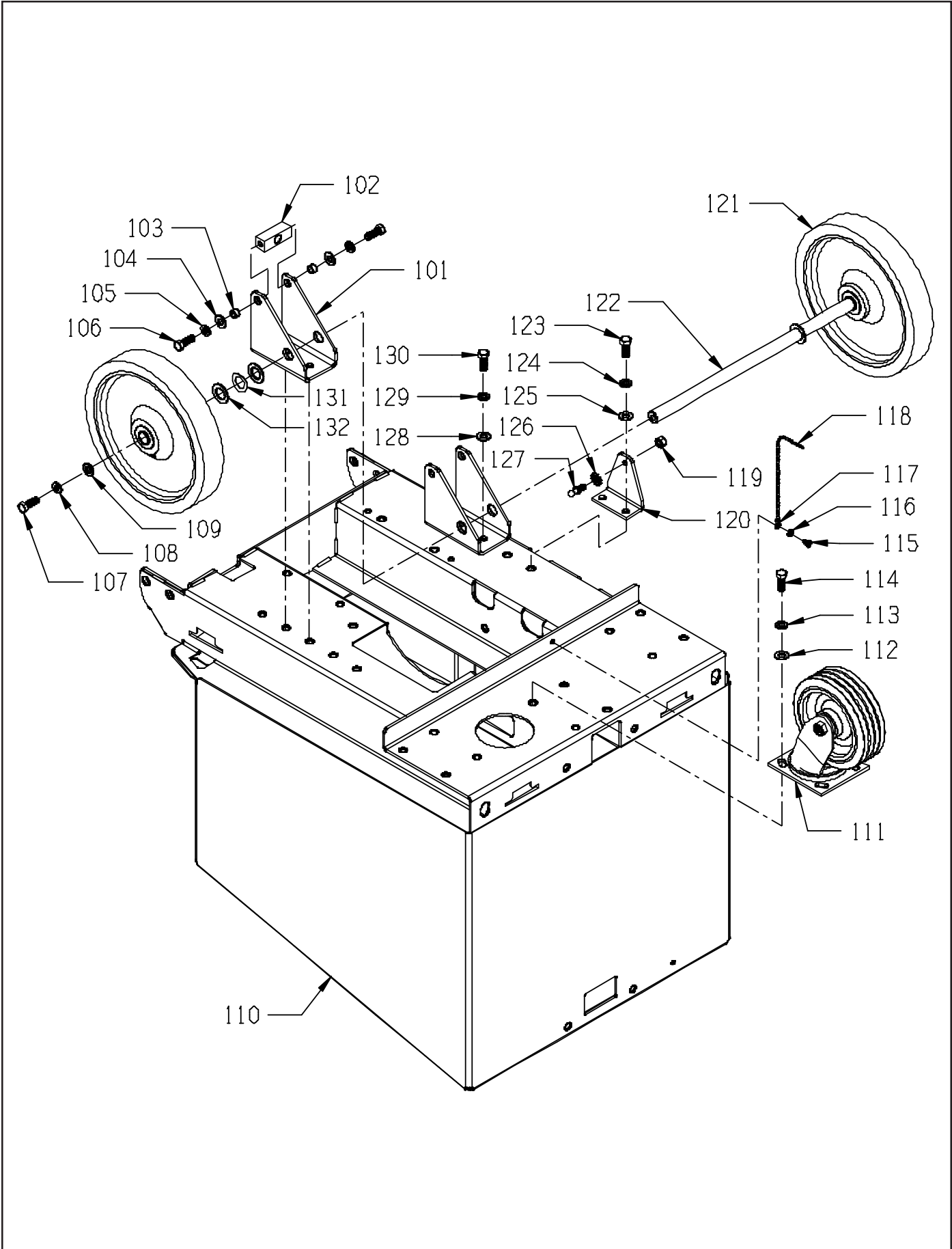


PARTS LIST
CHARGER 2022 AB



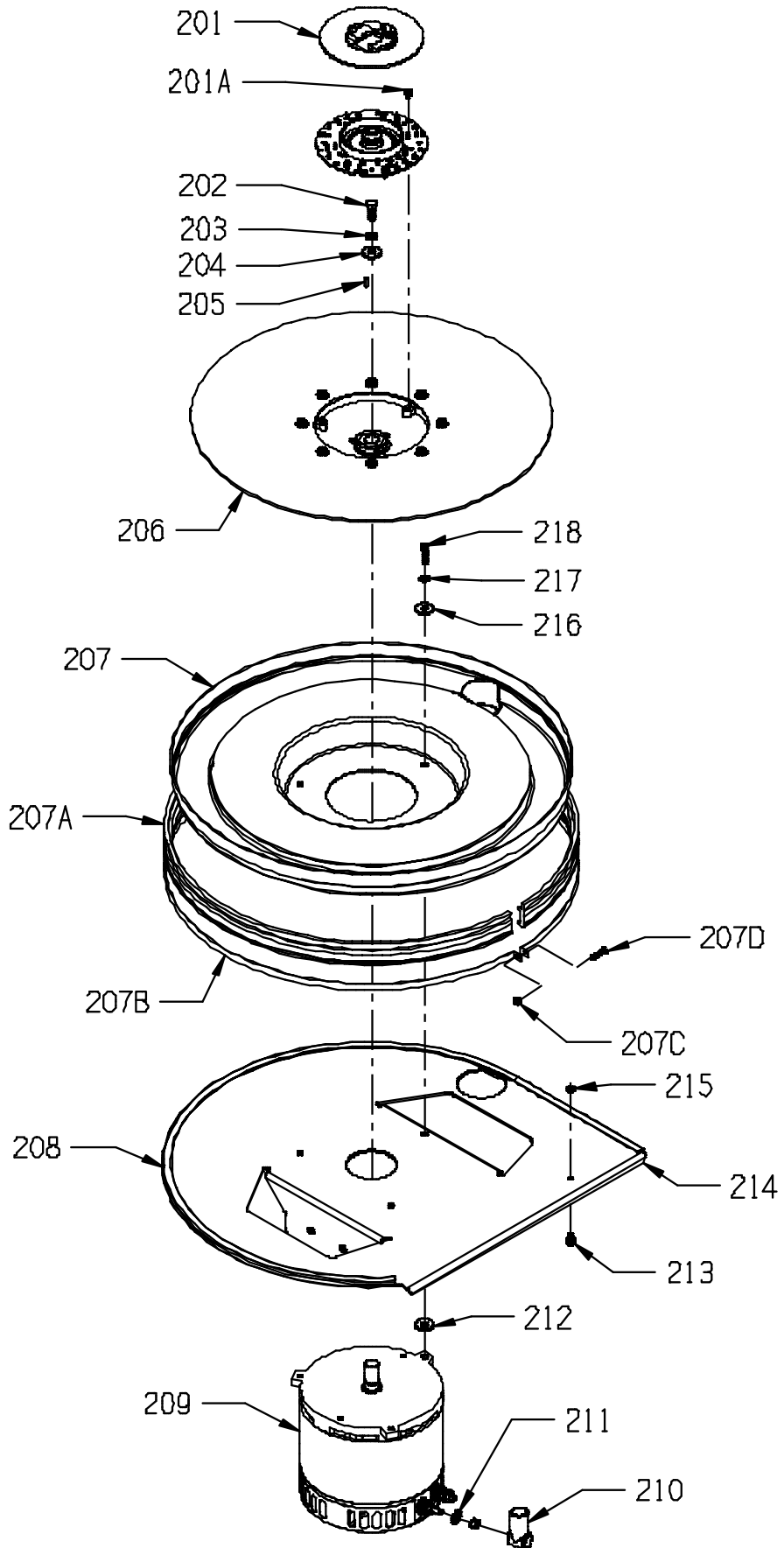
<u>ITEM</u>	<u>PART NO.</u>	<u>PART DESCRIPTION</u>	<u>QTY.</u>
101	6497261	AXLE / PIVOT MOUNT	2
102	6495891	PIVOT	1
103	2691181	PIVOT SPACER, STABILIZER BAR	2
104	9122180	13/32 X 13/16 X .051 THICK WASHER - PACK OF 10	2
105	9122100	3/8 SPLIT LOCK WASHER - PACK OF 10	2
106	9122260	3/8-16 X 1 HEX BOLT - PACK OF 5	2
107	9122260	3/8-16 X 1 HEX BOLT - PACK OF 2	2
108	9122100	3/8 SPLIT LOCK WASHER - PACK OF 10	2
109	9121980	7/16 X 1 X .075 THICK WASHER - PACK OF 2	2
110	6497211	CHASSIS / BODY	1
111	3394571	6" X 2" MAROON CASTER ASSEMBLY	1
112	9122180	13/32 X 13/16 X .051 THICK WASHER - PACK OF 10	4
113	9122100	3/8 SPLIT LOCK WASHER - PACK OF 10	4
114	9122260	3/8-16 X 1 HEX BOLT - PACK OF 5	4
115	9120380	10-24 X 3/8 ROUND HEAD PHILLIPS MACHINE SCREW - PACK OF 10	1
116	9120330	#10 EXTERNAL STAR LOCK WASHER - PACK OF 10	1
117	6491871	END COUPLING ROUND BEAD CHAIN	1
118	6491860	ROUND BEAD CHAIN - CUT TO 8"	.7
119	9121420	5/16-18 HEX NUT - PACK OF 10	1
120	6497201	GAS SPRING MOUNT	1
121	6497371	10" WHEEL	2
122	6497301	AXLE	1
123	9122260	3/8-16 X 1 HEX BOLT - PACK OF 2	2
124	9122100	3/8 SPLIT LOCK WASHER - PACK OF 10	2
125	9122180	13/32 X 13/16 X .051 THICK WASHER - PACK OF 10	2
126	9121410	5/16 EXTERNAL STAR LOCK WASHER - PACK OF 10	1
127	6496541	BALL STUD - GAS SPRING MOUNT	1
128	9122180	13/32 X 13/16 X .051 THICK WASHER - PACK OF 10	2
129	9122100	3/8 SPLIT LOCK WASHER - PACK OF 10	2
130	9122260	3/8-16 X 1 HEX BOLT - PACK OF 2	2
131	9123110	13/16 X 1/8 X 13 THICK 1 WAVE SPRING WASHER - PACK OF 1	1
132	9123105	3/4 I.D. X 1-1/4 O.D. X .071 THICK WASHER - PACK OF 5	3

CHASSIS ASSEMBLY



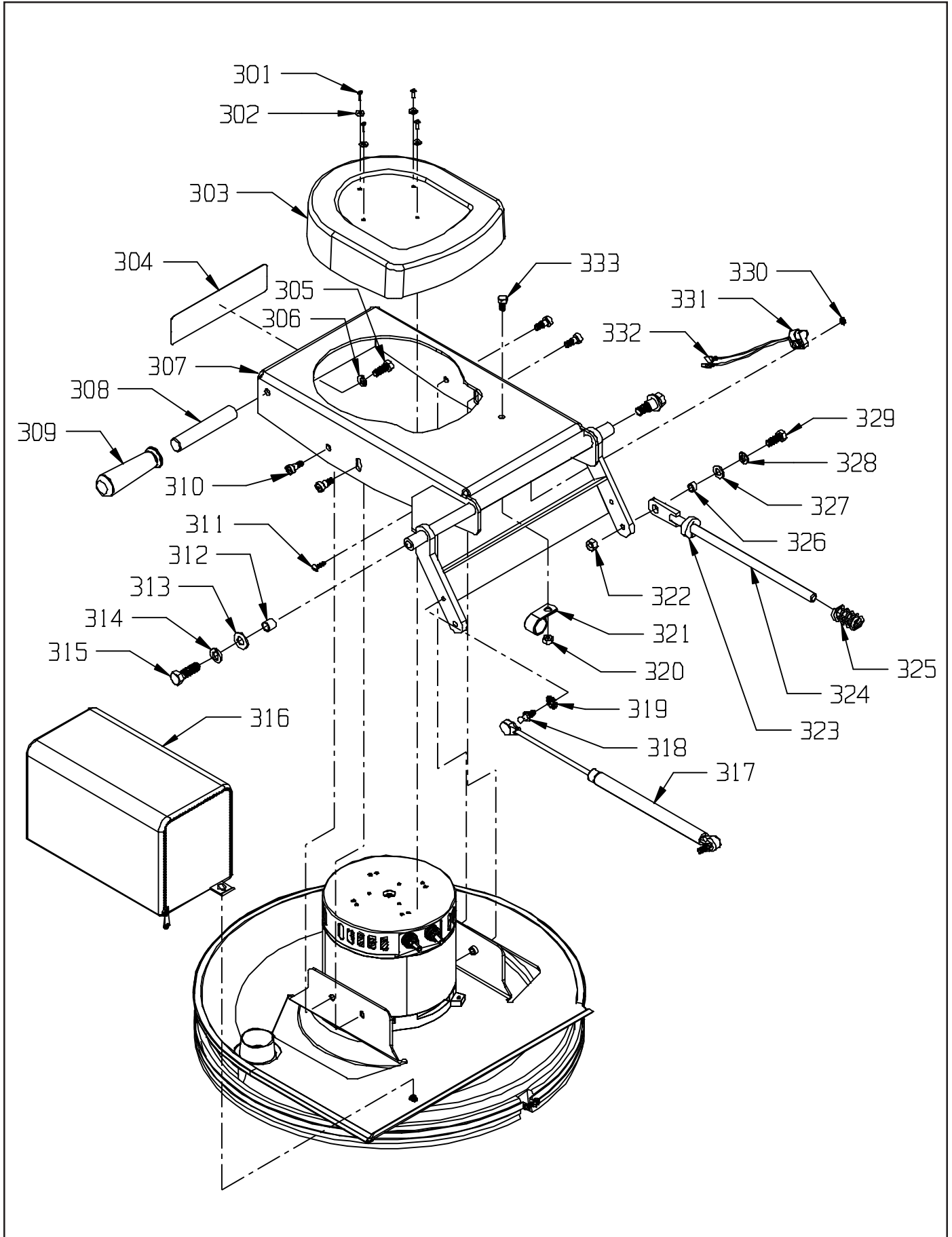
<u>ITEM</u>	<u>PART NO.</u>	<u>PART DESCRIPTION</u>	<u>QTY.</u>
201	5990731	SPRING CLIP PAD HOLDER SET - INCLUDES:	1
201A	9120205	8 X 1/2 PAN HEAD PHILLIPS SHEET METAL SCREW - PACK OF 3	3
202	9121490	5/16-24 X 7/8 HEX BOLT - PACK OF 2	1
203	9121520	5/16 SPLIT LOCK WASHER - PACK OF 10	1
204	9121985	13/32 I.D. X 1 O.D. X .12 THICK FLAT WASHER 11 GAGE - PACK OF 1	1
205	9120827	3/16 SQUARE X 1" LONG KEY - STEEL - PACK OF 2	1
206	6492581	20" PAD DRIVER	1
207	6497489	FLEXIWALL SHIELD ASSEMBLY - INCLUDES:	1
207A	6490191	BUMPER / BRUSH	1
207B	6490732	BUMPER STRAP	1
207C	9120350	10-24 HEX NUT WITH NY-LOCK INSERT - PACK OF 10	1
207D	9120450	10-24 X 1 ROUND HEAD PHILLIPS MACHINE SCREW - PACK OF 10	1
208	9997590	METAL CORE QUICKEDGE TRIM - CUT TO 55"	4.6
209	6493521	MOTOR 2500 RPM, 36V	1
210	7692421	TERMINAL BOOT (RED)	1
211	9121410	5/16 EXTERNAL STAR LOCK WASHER - PACK OF 10	2
212	9120930	9/32 I.D. X 5/8 O.D. X .051/.080 THICK FLAT WASHER (1/4) - PACK OF 10	1
213	6496881	STUD WITH #10-32 X 3/8, FILTER BAG	1
214	6497241	SKIRT / MOTOR MOUNT 20"	1
215	9120660	10-32 X HEX NUT WITH NY-LOCK INSERT - PACK OF 10	1
216	9120950	1/4 X 1 1/4 FENDER WASHER - PACK OF 10	3
217	9120880	1/4 SPLIT LOCK WASHER - PACK OF 10	3
218	9120980	1/4-20 X 1 SOCKET HEAD CAP SCREW - PACK OF 5	3

HEAD ASSEMBLY



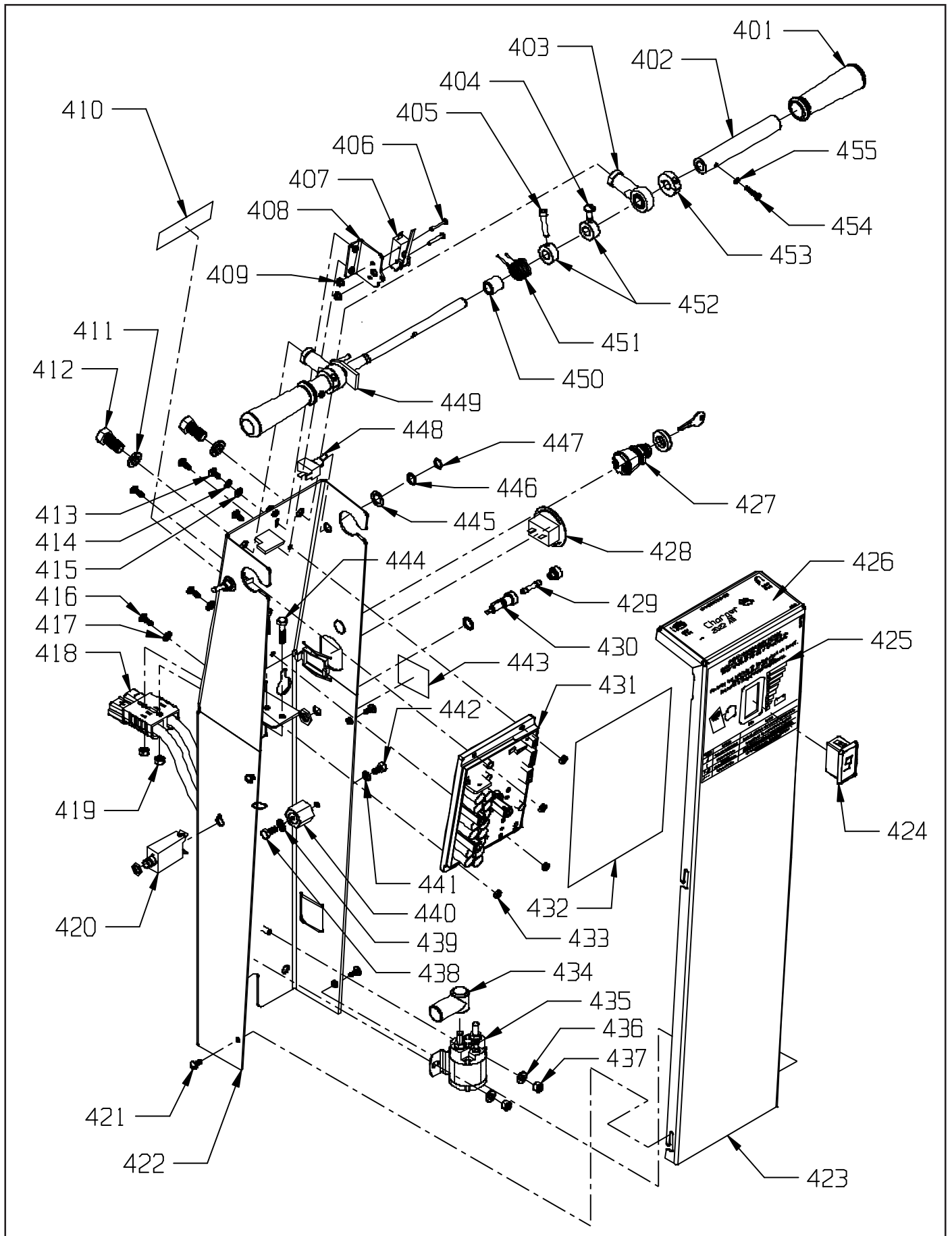
<u>ITEM</u>	<u>PART NO.</u>	<u>PART DESCRIPTION</u>	<u>QTY.</u>
301	9120600	10-24 X 1/2 PAN HEAD PHILLIPS THREAD CUTTING SCREW - PACK OF 10	4
302	9120370	7/32 I.D. X 1/2 O.D. X .032/.065 THICK FLAT WASHER (#10) - PACK OF 10	4
303	6497281	MOTOR COVER	1
304	4792321	CLOUD BURST DECAL - 2 X 8	1
305	9122260	3/8-16 X 1 HEX BOLT - PACK OF 2	1
306	9122100	3/8 SPLIT LOCK WASHER - PACK OF 10	1
307	6497251	ARM, BRUSH ASSEMBLY	1
308	6496651	GRIP BASE	1
309	3392901	HANDLE GRIP	1
310	9122020	3/8 X 3/8 SOCKET HEAD SHOULDER BOLT - PACK OF 1	4
311	9120530	10-24 X 7/8 TRUSS HEAD PHILLIPS MACHINE SCREW - PACK OF 5	2
312	2790751	BUSHING SPACER	2
313	9122450	17/32 I.D. X 1 1/16 O.D. X .074/.121 THICK FLAT WASHER (1/2) - PACK OF 5	2
314	9122420	1/2 SPLIT LOCK WASHER - PACK OF 5	2
315	9122550	1/2-13 X 1 1/2 HEX BOLT - PACK OF 1	2
316	6497311	BAG, FILTER MEDIA	1
317	6496531	GAS SPRING (GGS 23-120 I) - INCLUDES:	1
	6496771	SPRING CLIP	2
318	6496541	BALL STUD - GAS SPRING MOUNT	1
319	9121410	5/16 EXTERNAL STAR LOCK WASHER - PACK OF 10	2
320	9121450	5/16-18 HEX NUT WITH NY-LOCK INSERT - PACK OF 5	1
321	2395761	CLAMP, TUBE	1
322	9122140	3/8-16 HEX NUT WITH NY=LOCK INSERT - PACK OF 5	1
323	3393891	COLLAR, SHAFT 1/2"	1
324	6496681	GUIDE, SPRING	1
325	6496671	COMPRESSION SPRING 1.75 X .935 O.D.	1
326	2691181	PIVOT SPACER, STABILIZER BAR	1
327	9122180	13/32 I.D. X 13/16 O.D. X .051/.080 THICK FLAT WASHER (3/8) - PACK OF 10	1
328	9122100	3/8 SPLIT LOCK WASHER - PACK OF 10	1
329	9122300	3/8-16 X 1 1/4 HEX BOLT - PACK OF 2	1
330	9120350	10-24 HEX NUT WITH NY-LOCK INSERT - PACK OF 10	2
331	6496781	TILT SWITCH	1
332	4991371	FULLY INSULATED MALE TERMINAL 22-18 GAGE	2
333	9121600	5/16-18 X 5/8 HEX NUT - PACK OF 5	1

HEAD ARM ASSEMBLY



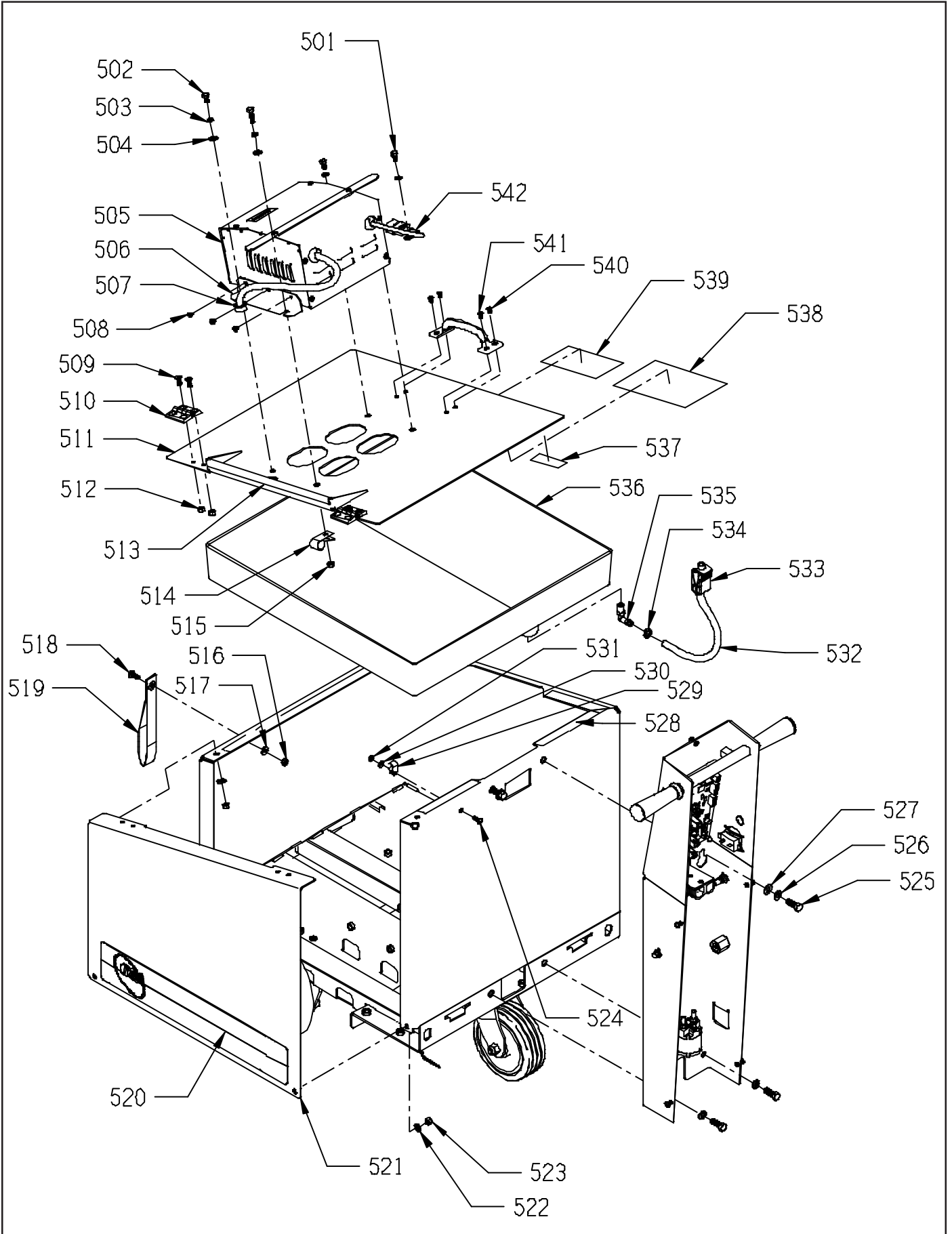
<u>ITEM</u>	<u>PART NO.</u>	<u>PART DESCRIPTION</u>	<u>QTY.</u>
401	3392901	HANDLE GRIP	2
402	2691871	HANDLE GRIP BASE	2
403	2391941	BALL JOINT	2
404	9120990	1/4-20 X 3/8 TRUSS HEAD PHILLIPS MACHINE SCREW - PACK OF 5	1
405	9121050	1/4-20 X 1-1/4 SOCKET HEAD CAP SCREW - PACK OF 5	1
406	9120100	6-32 X 1 ROUND HEAD PHILLIPS MACHINE SCREW - PACK OF 10	2
407	4491071	SNAP SWITCH	1
408	6496991	POTENTIOMETER BRACKET	1
409	9120020	6-32 HEX NUT WITH STAR LOCK WASHER - PACK OF 10	2
411	9122420	1/2 SPLIT LOCK WASHER - PACK OF 5	2
412	9122700	1/2-20 X 1 HEX BOLT - PACK OF 2	2
413	9120510	10-24 X 1/2 TRUSS HEAD PHILLIPS MACHINE SCREW - PACK OF 10	2
414	9120330	10 EXTERNAL STAR LOCK WASHER - PACK OF 10	2
415	9120370	7/32 I.D. X 1/2 O.D. X .032/.065 THICK FLAT WASHER (#10) - PACK OF 10	2
416	9120430	10-24 X 3/4 ROUND HEAD PHILLIPS MACHINE SCREW - PACK OF 10	4
417	9120370	7/32 I.D. X 1/2 O.D. X .032/.065 THICK FLAT WASHER (#10) - PACK OF 10	4
418	6496811	WIRE ASSEMBLY, ANDERSON - MACHINE - INCLUDES:	1
	6491841	175 AMP ANDERSON WITH CONTACTS GRAY 36 VOLT	1
419	9120900	1/4-20 HEX NUT WITH NY-LOCK INSERT - PACK OF 10	2
420	6491261	CIRCUIT BREAKER - 90 AMP	1
421	9120510	10-24 X 1/2 TRUSS HEAD PHILLIPS MACHINE SCREW - PACK OF 10	5
422	6496601	CONTROL FRAME	1
423	6497411	CONTROL FRAME COVER	1
424	6496971	BATTERY METER WITH HARNESS - INCLUDES:	1
	6496981	BATTERY METER DISPLAY	1
	6496961	WIRE HARNESS, BATTERY METER - 10 PIN	1
425	6497361	BATTERY METER/CODES DECAL AB	1
426	6497421	NAMING LABEL, CHARGER 2022 AB	1
427	6497039	KEY SWITCH KIT (OPTIONAL) - INCLUDES:	1
	7692511	KEY SWITCH & KEY	1
	6497021	WIRE ASSEMBLY, KEY SWITCH	1
428	2397361	HOUR METER	1
429	6496451	FAST-ACTING FUSE 2 AMP	1
430	4990321	FUSE HOLDER WITH NUT & WASHER	1
431	6497431	CONTROLER 2022 AB	1
	9120970	1/4 EXTERNAL STAR LOCK WASHER - PACK OF 10	5
	9120985	1/4-28 X 3/8 PAN HEAD PHILLIPS MACHINE SCREW	5
432	6497571	WIRING DIAGRAM DECAL AB	1
433	9120350	10-24 HEX NUT WITH NY-LOCK INSERT - PACK OF 10	4
434	7692421	TERMINAL BOOT (RED)	1
435	4491011	SOLENOID, 36 VOLT	1
436	9120930	9/32 I.D. X 5/8 O.D. X .051/.080 THICK FLAT WASHER (1/4) - PACK OF 10	2
437	9120900	1/4-20 HEX NUT WITH NY-LOCK INSERT - PACK OF 10	2
438	9121210	1/4-20 X 5/8 HEX BOLT - PACK OF 10	1
439	9120970	1/4 EXTERNAL STAR LOCK WASHER - PACK OF 10	1
440	4490561	INSULATED STANDOFF	1
441	9120880	1/4 SPLIT LOCK WASHER - PACK OF 10	1
442	9121170	1/4-20 X 1/2 HEX BOLT - PACK OF 10	1
443	3394721	FUSE DECAL	1
444	9121060	1/4-20 X 1 1/4 HEX BOLT - PACK OF 5	2
445	9122465	.516 I.D. X .813 O.D. X .027/.030 THICK FLAT WASHER - PACK OF 2	2
446	0691851	1/2 INTERNAL STAR LOCK WASHER	2
447	0798821	5/8" HEX NUT (LARGE NUT)	2
448	4491101	TOGGLE SWITCH, MOTOR	2
449	6496191	HANDLE BAR 2716	1
450	6496081	BEARING PLAIN SLEEVE .5 X .75 X .75 LONG	1
451	6496091	SPRING TORSION .81 I.D. .067 WIRE	1
452	6496171	COLLAR, SHAFT 1/2" SET SCREW	2
453	3393891	COLLAR, SHAFT 1/2"	2
454	9120270	8-32 X 7/8 ROUND HEAD PHILLIPS MACHINE SCREW - PACK OF 10	2
455	9120200	8 SPLIT LOCK WASHER - PACK OF 10	2

CONTROL PANEL ASSEMBLY



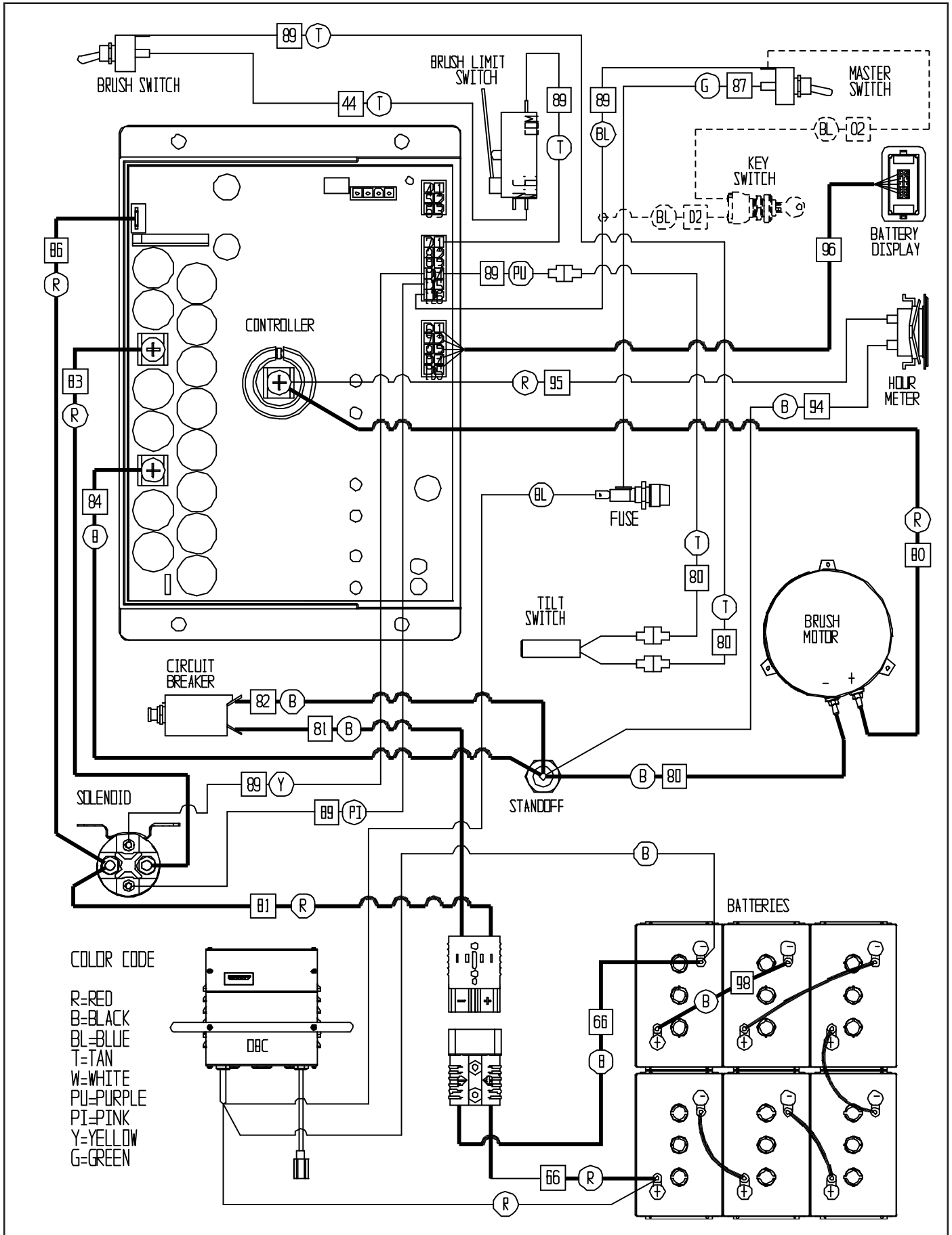
<u>ITEM</u>	<u>PART NO.</u>	<u>PART DESCRIPTION</u>	<u>QTY.</u>
501	9121270	1/4-20 X 1 HEX BOLT - PACK OF 10	1
502	9121210	1/4-20 X 5/8 HEX BOLT - PACK OF 10	3
503	9120880	1/4 SPLIT LOCK WASHER - PACK OF 10	4
504	9120930	9/32 I.D. X 5/8 O.D. X .051/.080 THICK FLAT WASHER (1/4) - PACK OF 10	3
505	6497531	36 VOLT ON-BOARD CHARGER 120/240 VOLT 21 AMP	1
505	6495701	120 VOLT ON-BOARD CHARGER CORD	1
505	6495711	240 VOLT ON-BOARD CHARGER CORD	1
506	2695841	BRACKET, MOUNTING, DP CHARGER	2
507	4890451	BUSHING, SNAPIN, #SB87511 HEYCO	1
508	9120810	#10 X 1/2 PAN HEAD PHILLIPS SHEET METAL SCREW - PACK OF 10	6
509	9121037	1/4-20 X 5/8 FLAT HEAD PHILLIPS MACHINE SCREW - PACK OF 10	8
510	6497811	LID HINGE	2
511	6497221	LID, BODY	1
512	9120900	1/4-20 HEX NUT WITH NY-LOCK INSERT - PACK OF 10	8
513	9997590	METAL CORE QUICKEDGE TRIM - CUT TO 12"	1
514	4890851	CABLE CLAMP, #COV-090 KMC	1
515	9120900	1/4-20 HEX NUT WITH NY-LOCK INSERT - PACK OF 10	4
516	9120900	1/4-20 HEX NUT WITH NY-LOCK INSERT - PACK OF 10	1
517	9120930	9/32 I.D. X 5/8 O.D. X .051/.080 THICK FLAT WASHER (1/4) - PACK OF 10	1
518	9121010	1/4-20 X 3/4 TRUSS HEAD PHILLIPS MACHINE SCREW - PACK OF 5	1
519	6497051	BRUSH HEAD RETAINING STRAP	1
520	7691891	NSS LOGO DECAL - 3.5 X 20	1
521	6497231	SIDE PANEL	1
522	9120930	9/32 I.D. X 5/8 O.D. X .051/.080 THICK FLAT WASHER (1/4) - PACK OF 10	4
523	9120900	1/4-20 HEX NUT WITH NY-LOCK INSERT - PACK OF 10	4
524	9120520	10-24 X 5/8 TRUSS HEAD PHILLIPS MACHINE SCREW - PACK OF 10	1
525	9122260	3/8-16 X 1 HEX BOLT - PACK OF 2	4
526	9122100	3/8 SPLIT LOCK WASHER - PACK OF 10	4
527	9122180	13/32 I.D. X 13/16 O.D. X .051/.080 THICK WROUGHT WASHER (3/8) - PACK OF 10	2
528	9997560	VELCRO LOOP, PRESSURE SENSITIVE	3.8
529	4894071	CLAMP, .437 DIAMETER CABLE, HEYCO	1
530	9120370	7/32 I.D. X 1/2 O.D. X .032/.065 THICK FLAT WASHER (#10) - PACK OF 10	1
531	9120350	10-24 HEX NUT WITH NY-LOCK INSERT - PACK OF 10	1
532	8791070	VINYL HOSE, 3/8" I.D. X 1/2" O.D.	1.3
533	3390661	TUBING CONTROL VALVE	1
534	2392481	HOSE CLAMP, 7/32" - 5/8" DIAMETER	1
535	2490601	FITTING, ELL 3/8 BARB X 1/4 NPT	1
536	6497271	BATTERY TRAY	1
537	9997550	VELCRO HOOK, PRESSURE SENSITIVE	.5
538	6497581	DECAL, BATTERY WARNING - OBC	1
539	3394141	OBC WARNING DECAL	1
540	9120390	10-24 X 3/8 FLAT HEAD PHILLIPS MACHINE SCREW - PACK OF 10	4
541	7692271	LIFT HANDLE	1
542	3291111	CORD CLAMP	1

LID AND SIDE ASSEMBLY

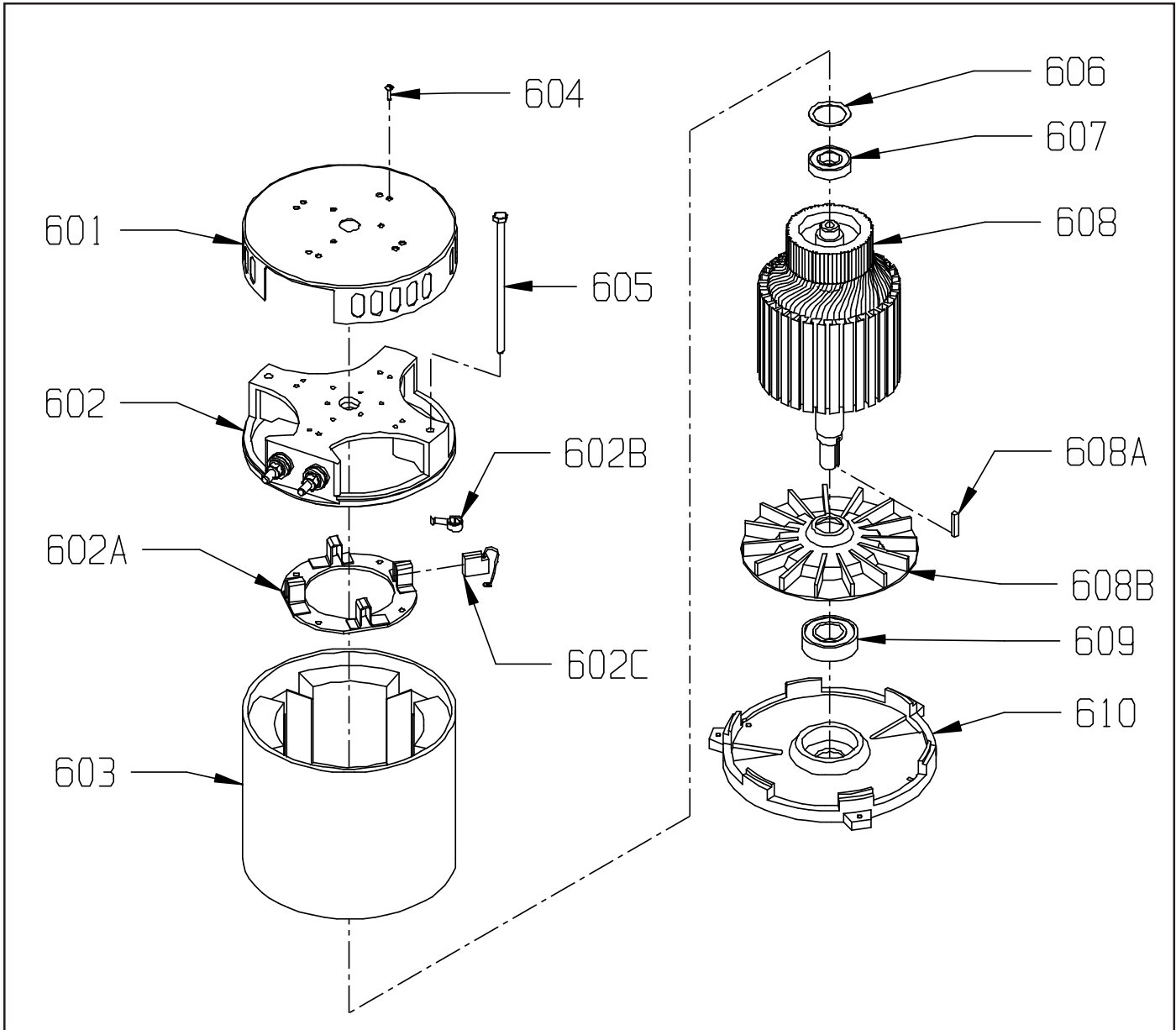


<u>ITEM</u>	<u>PART NO.</u>	<u>PART DESCRIPTION</u>	<u>QTY.</u>
44	6497441	WIRE LIMIT SWITCH TO BRUSH SWITCH	1
66	7691661	WIRING ASSEMBLY ANDERSON TO BATTERY	1
80	6496801	WIRE HARNESS, BRUSH MOTOR	1
81	6496811	WIRE ASSEMBLY, ANDERSON - MACHINE	1
82	6496821	WIRE, BREAKER TO STANDOFF	1
83	6496831	WIRE, SOLENOID TO CONTROLLER	1
84	6496841	WIRE, CONROLLER TO STANDOFF	1
86	6497521	WIRE, SOLENOID TO AB CONTROLLER	1
87	6496871	WIRE, FUSE HOLDER - MASTER SWITCH	1
89	6497401	WIRE HARNESS, CONTROLLER - 12 PIN	1
94	6496941	WIRE, HOUR METER TO STANDOFF	1
95	6496951	WIRE, SPEED CONTROL - HOUR METER	1
98	2391981	BATTERY JUMPER 3/8" RING	5
-	2397361	HOUR METER WITH / CLAMP	1
-	4490561	INSULATED STANDOFF	1
-	4491011	SOLENOID, 36 VOLT	1
-	4491101	TOGGLE SWITCH, MOTOR	2
-	4990321	FUSE HOLDER WITH NUT & WASHER	1
-	4991371	FULLY INSULATED MALE TERMINAL 22-18	2
-	6491261	CIRCUIT BREAKER - 90 AMP	1
-	6497531	36 VOLT ON-BOARD CHARGER 120/240 VOLT 25 AMP	1
-	6495701	120 VOLT ON-BOARD CHARGER CORD	1
-	6495711	240 VOLT ON-BOARD CHARGER CORD	1
-	6496451	FAST-ACTING FUSE 2 AMP	1
-	6493521	MOTOR 2500 RPM, 36V	1
-	6496731	SPEED CONTROL, BRUSH	1
-	6496781	TILT SWITCH	1
-	6496971	BATTERY METER WITH HARNESS	1
-	6496981	BATTERY METER DISPLAY	1
-	6496961	WIRE HARNESS, BATTERY METER - 10 PIN	1
-	6497039	KEY SWITCH KIT (OPTIONAL) - INCLUDES:	1
-	7692511	KEY SWITCH & KEY	1
02	6497021	WIRE ASSEMBLY, KEY SWITCH	1

WIRE DIAGRAM



HEAD MOTOR



<u>ITEM</u>	<u>PART NO.</u>	<u>DESCRIPTION</u>	<u>QTY.</u>
	6493521	MOTOR 2500 RPM, 36 VOLT - INCLUDES:	1
601	5991731	COMMUTATOR BRACKET COVER	1
602	6493531	COMMUTATOR BRACKET ASSEMBLY - INCLUDES:	1
602	6493541	COMMUTATOR BRACKET	1
602A	6493601	BRUSH BOARD ASSEMBLY - INCLUDES:	1
602A1	6493591	SPRING	4
602A2	7692041	CARBON BRUSH	4
603	5991521	STATOR FRAME ASSEMBLY - WITH CLIPS AND MAGNETS	1
604	9120600	10-24 X 1/2 PAN HEAD PHILLIPS THREAD CUTTING SCREW - PK 10	4
605	5991701	THRU BOLT	2
606	5991741	HELICAL WASHER - LARGE	1
607	5991551	BEARING - TOP END	1
608	6493611	ARMATURE - 2500 RPM - INCLUDES:	1
608A	9120827	3/16 SQUARE X 1 LONG KEY - STEEL - PACK OF 2	1
608B	6493571	ALUMINUM FAN	1
609	5991541	BEARING - BOTTOM END	1
610	6493551	END BRACKET - BOTTOM END	1

NOTES

ACCESSORIES



PART NO.

PART DESCRIPTION

NOTE:

7992051	20" LITE BLUE POLISH / BURNISH PAD - FOR SOFT FINISH
7992061	20" LITE HAIR BURNISH PAD - FOR ALL FINISHES
7992081	20" ULTRA HAIR HARD FINISH PAD - FOR HARD FINISH
7992091	20" ULTIMATE HAIR PAD - HARD FINISH AGGRESSIVE BURNISHING
7992021	20" GREEN SCRUB PAD - HEAVY FINISH REMOVAL
7992001	20" BLACK STRIP PAD - REMOVES FINISH COMPLETELY
7992011	20" BROWN STRIP PAD - REMOVES FINISH COMPLETELY

TWISTER PADS

7992201	20" TWISTER STARTER KIT
7992141	20" TWISTER RED PAD
7992131	20" TWISTER WHITE PAD
7992121	20" TWISTER YELLOW PAD
7992101	20" TWISTER GREEN PAD



NSS ® Enterprises, Inc.

3115 Frenchmens Road, Toledo, Ohio 43607

PHONE (419) 531-3761 FAX (419) 531-3761

NSS ® Enterprises, Inc. European Distribution Centre

Unit II, Pinfold Trading Estate * 55 Nottingham Road

STAPLEFORD, NOTTINGHAM NG9 8AD ENGLAND U.K.

PHONE: (44) 0115 939 1568 * FAX: (44) 0115 949 0615