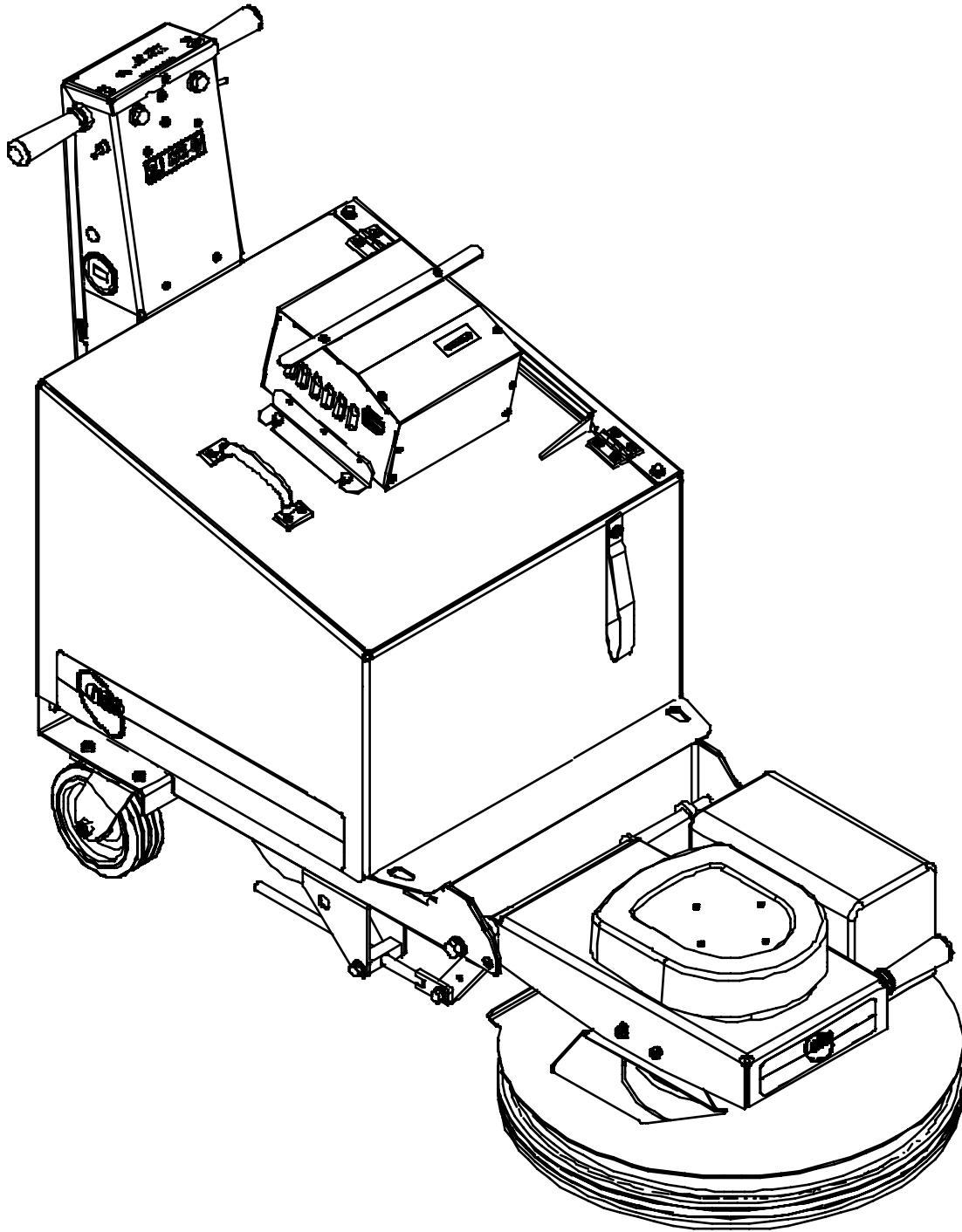


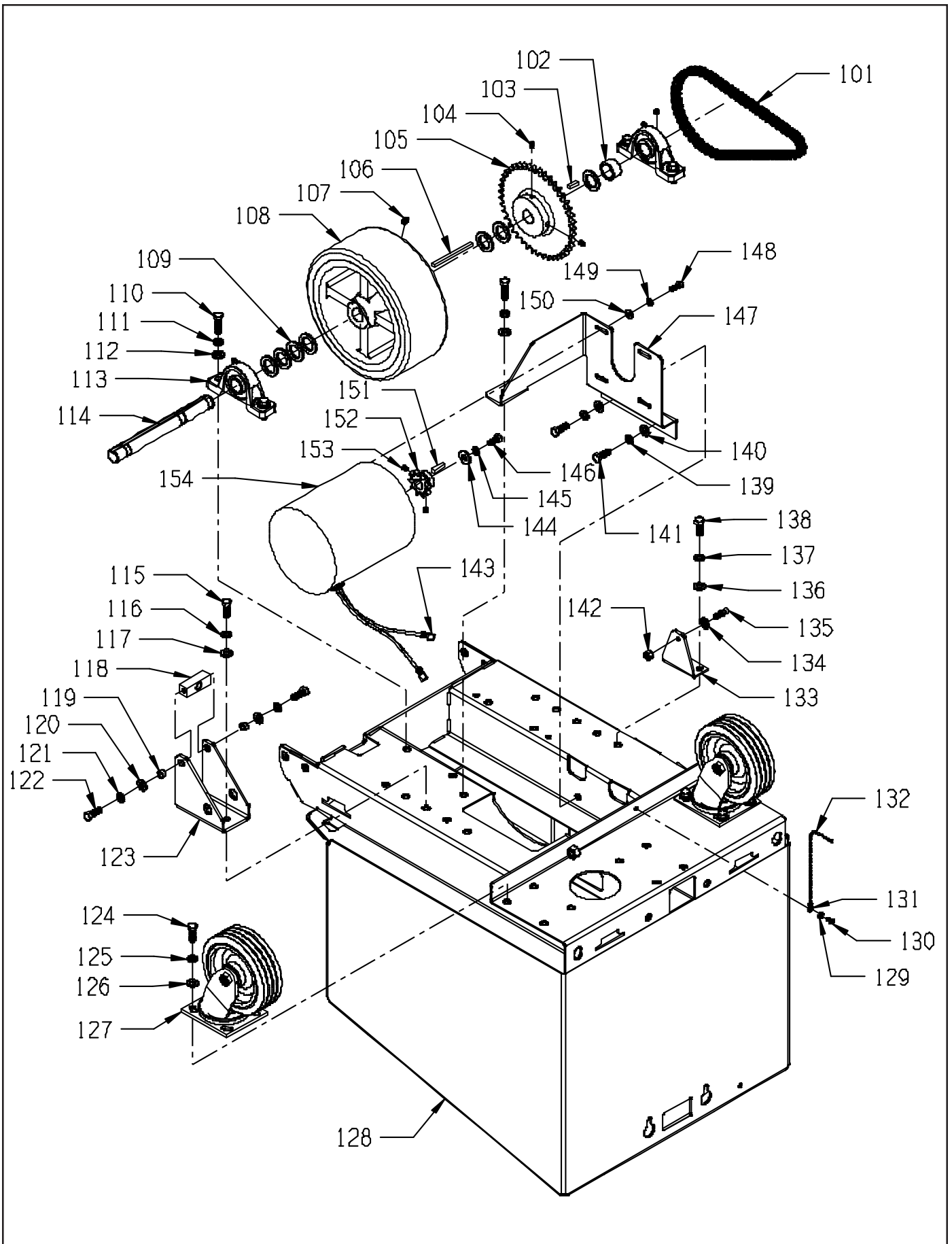
PARTS LIST

CHARGER 2022 DB



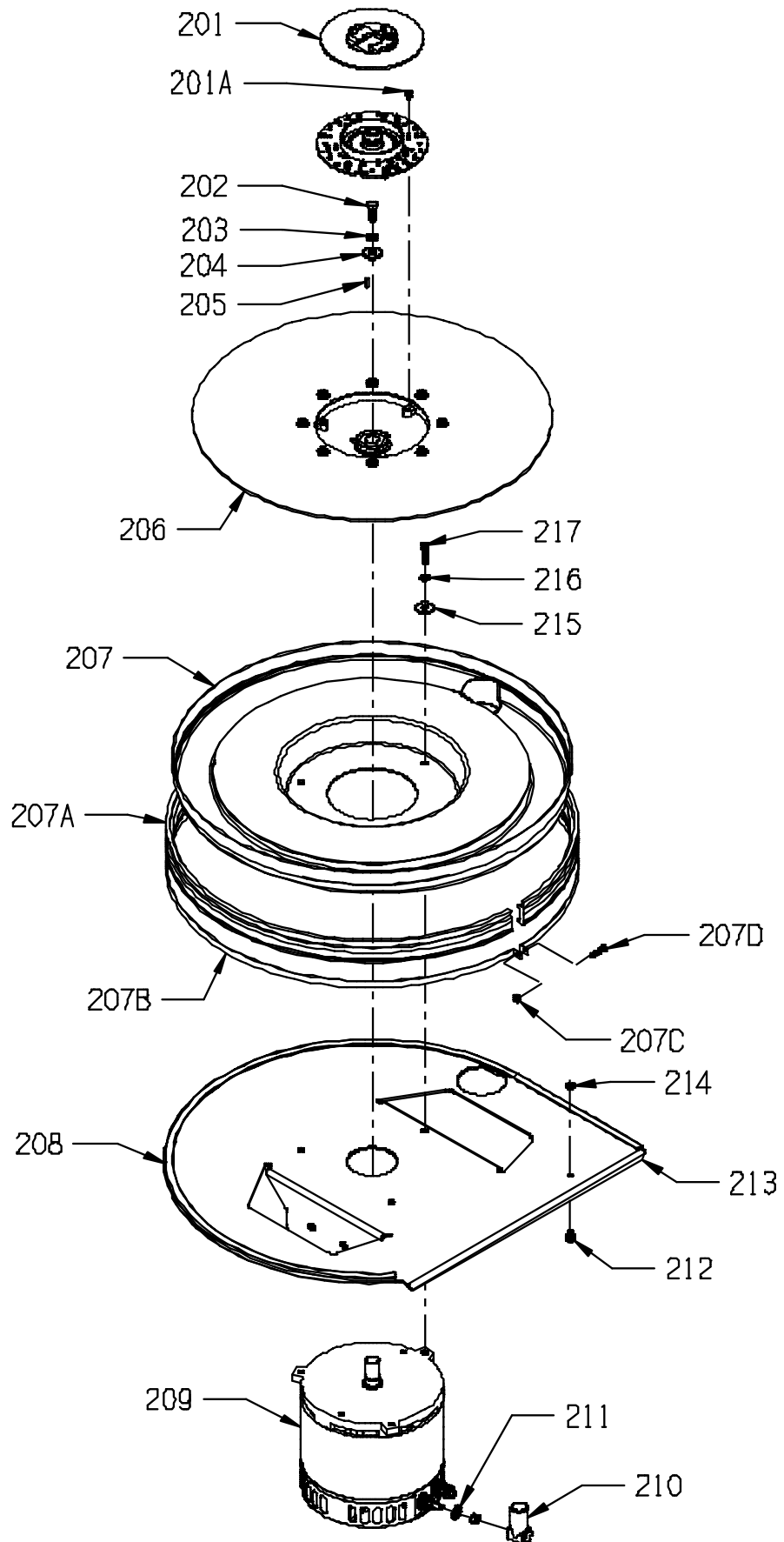
<u>ITEM</u>	<u>PART NO.</u>	<u>PART DESCRIPTION</u>	<u>QTY.</u>
101	3392949	#40 ROLLER CHAIN 63 LINKS WITH MASTER	1
	3392931	#40 ROLLER CHAIN 63 LINKS NO MASTER	1
	2795211	LINK - MASTER #40 CHAIN NICKEL PLATED	1
102	2692271	DRIVE WHEEL SPACER 1" 1.0 X .6875	1
103	9121310	1/4 SQUARE X 7/8 LONG KEY - STEEL - PACK OF 2	1
104	9120850	1/4-20 X 5/16 SET SCREW - KNURL POINT - PACK OF 2	2
105	3392581	DRIVEN SPROCKET #43 TEETH	1
106	9121317	1/4 SQUARE X 3 3/4 LONG KEY - PACK OF 2	1
107	9121380	5/16-18 X 3/8 SET SCREW - KNURL POINT - PACK OF 2	2
108	6496521	10 INCH DRIVE WHEEL (GREY RUBBER)	1
109	6590521	1 I.D. X 1.5 O.D. X .13 THICK FLAT WASHER - 10 GA	7
110	9122300	3/8-16 X 1 1/4 HEX BOLT - PACK OF 2	4
111	9122100	3/8 SPLIT LOCK WASHER - PACK OF 10	4
112	9122180	13/32 X 13/16 X .051 THICK WASHER - PACK OF 10	4
113	3393121	PILLOW BLOCK BEARING STRAIGHT ZERK	2
114	3392571	AXLE, DRIVE WHEEL	1
115	9122260	3/8-16 X 1 HEX BOLT - PACK OF 2	2
116	9122100	3/8 SPLIT LOCK WASHER - PACK OF 10	2
117	9122180	13/32 X 13/16 X .051 THICK WASHER - PACK OF 10	2
118	6495891	PIVOT	1
119	2691181	PIVOT SPACER, STABILIZER BAR	2
120	9122180	13/32 X 13/16 X .051 THICK WASHER - PACK OF 10	2
121	9122100	3/8 SPLIT LOCK WASHER - PACK OF 10	2
122	9122260	3/8-16 X 1 HEX BOLT - PACK OF 5	2
123	6497261	AXLE / PIVOT MOUNT	1
124	9122260	3/8-16 X 1 HEX BOLT - PACK OF 5	8
125	9122100	3/8 SPLIT LOCK WASHER - PACK OF 10	8
126	9122180	13/32 X 13/16 X .051 THICK WASHER - PACK OF 10	8
127	3392591	6" X 2" MAROON CASTER ASSEMBLY	2
128	6497211	CHASSIS / BODY	1
129	9120330	#10 EXTERNAL STAR LOCK WASHER - PACK OF 10	1
130	9120380	10-24 X 3/8 ROUND HEAD PHILLIPS MACHINE SCREW - PACK OF 10	1
131	6491871	END COUPLING ROUND BEAD CHAIN	1
132	6491860	ROUND BEAD CHAIN - CUT TO 8"	.7
133	6497201	GAS SPRING MOUNT	1
134	9121410	5/16 EXTERNAL STAR LOCK WASHER - PACK OF 10	1
135	6496541	BALL STUD - GAS SPRING MOUNT	1
136	9122180	13/32 X 13/16 X .051 THICK WASHER - PACK OF 10	2
137	9122100	3/8 SPLIT LOCK WASHER - PACK OF 10	2
138	9122260	3/8-16 X 1 HEX BOLT - PACK OF 2	2
139	9122100	3/8 SPLIT LOCK WASHER - PACK OF 10	2
140	9122180	13/32 X 13/16 X .051 THICK WASHER - PACK OF 10	2
141	9122260	3/8-16 X 1 HEX BOLT - PACK OF 2	2
142	9121420	5/16-18 HEX NUT - PACK OF 10	1
143	2690581	1/4 SPADE MALE TERMINAL 10-12 YELLOW	2
144	9121400	3/8 I.D. 7/8 O.D. WROUGHT WASHER 5/16 - PACK OF 10	1
145	9121520	5/16 SPLIT LOCK WASHER - PACK OF 10	1
146	9121640	5/16-18 X 3/4 HEX BOLT - PACK OF 5	1
147	6497291	DRIVE MOTOR MOUNT	1
148	9121250	1/4-20 X 3/4 HEX BOLT - PACK OF 10	4
149	9120880	1/4 SPLIT LOCK WASHER - PACK OF 10	4
150	9120930	9/32 I.D. X 5/8 O.D. FLAT WASHER (1/4) - PACK OF 10	4
151	2792681	1/4" X 1/4" X 1" MOTOR KEY	1
152	2695011	DRIVE SPROCKET, MOTOR WITH SET SCREW	1
153	9120850	1/4-20 X 5/16 SET SCREW - KNURL POINT - PACK OF 2	2
154	2790101	DRIVE MOTOR 36 VOLT	1

CHASSIS AND DRIVE ASSEMBLY



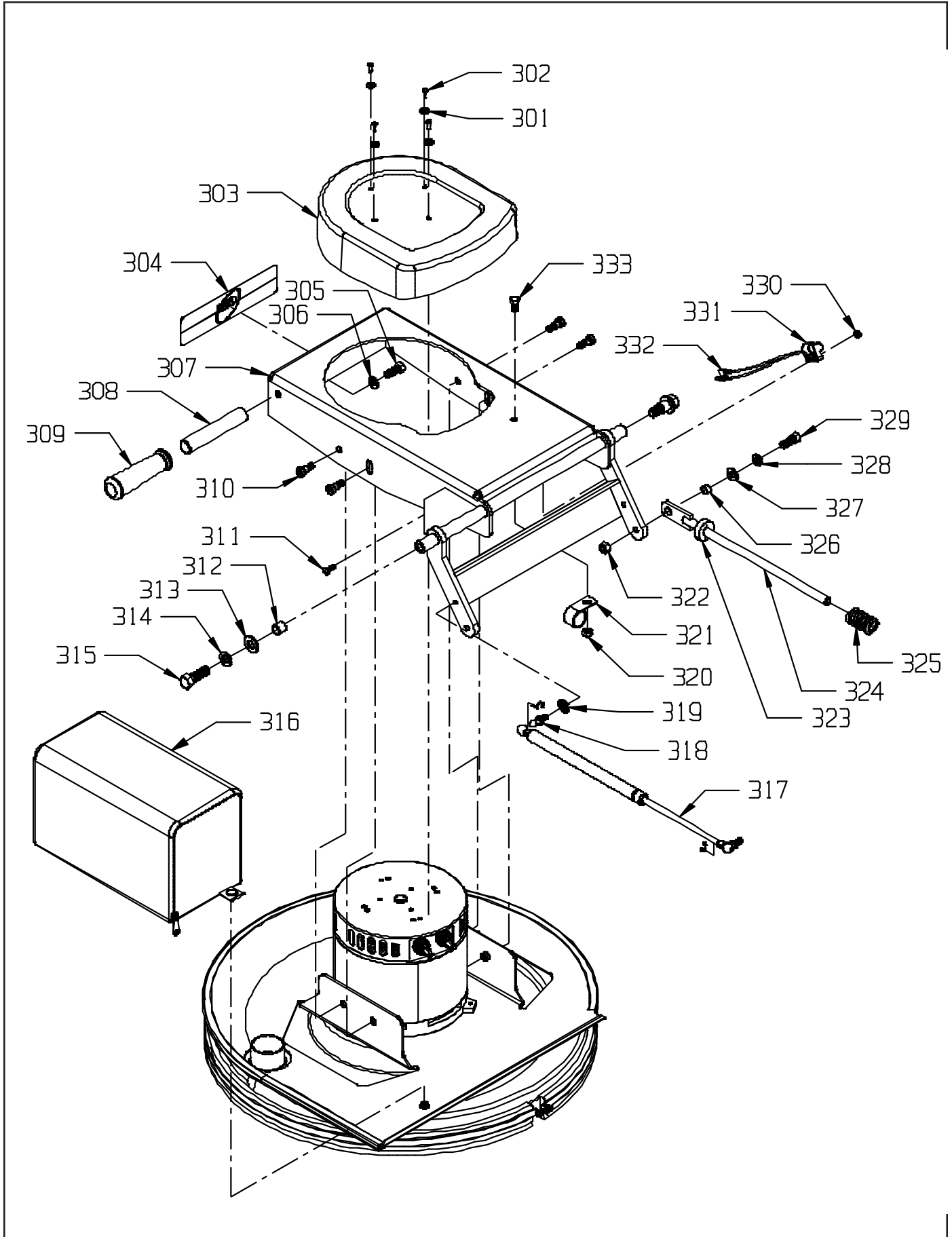
ITEM	PART NO.	PART DESCRIPTION	QTY.
201	5990731	SPRING CLIP PAD HOLDER SET - INCLUDES:	1
201A	9120205	8 X 1/2 PAN HEAD PHILLIPS SHEET METAL SCREW - PACK OF 3	3
202	9121490	5/16-24 X 7/8 HEX BOLT - PACK OF 2	1
203	9121520	5/16 SPLIT LOCK WASHER - PACK OF 10	1
204	9121985	13/32 I.D. X 1 O.D. X .12 THICK FLAT WASHER 11 GAGE - PACK OF 1	1
205	9120827	3/16 SQUARE X 1" LONG KEY - STEEL - PACK OF 2	1
206	6492581	20" PAD DRIVER	1
207	6497489	FLEXIWALL SHIELD ASSEMBLY - INCLUDES:	1
207A	6490191	BUMPER / BRUSH	1
207B	6490732	BUMPER STRAP	1
207C	9120350	10-24 HEX NUT WITH NY-LOCK INSERT - PACK OF 10	1
207D	9120450	10-24 X 1 ROUND HEAD PHILLIPS MACHINE SCREW - PACK OF 10	1
208	9997590	METAL CORE QUICKEDGE TRIM - CUT TO 55"	4.6
209	6493521	MOTOR 2500 RPM, 36V	1
210	7692421	TERMINAL BOOT (RED)	1
211	9121410	5/16 EXTERNAL STAR LOCK WASHER - PACK OF 10	2
212	6496881	STUD WITH #10-32 X 3/8, FILTER BAG	1
213	6497241	SKIRT / MOTOR MOUNT 20"	1
214	9120660	10-32 X HEX NUT WITH NY-LOCK INSERT - PACK OF 10	1
215	9120950	1/4 X 1 1/4 FENDER WASHER - PACK OF 10	3
216	9120880	1/4 SPLIT LOCK WASHER - PACK OF 10	3
217	9120980	1/4-20 X 1 SOCKET HEAD CAP SCREW - PACK OF 5	3

HEAD ASSEMBLY



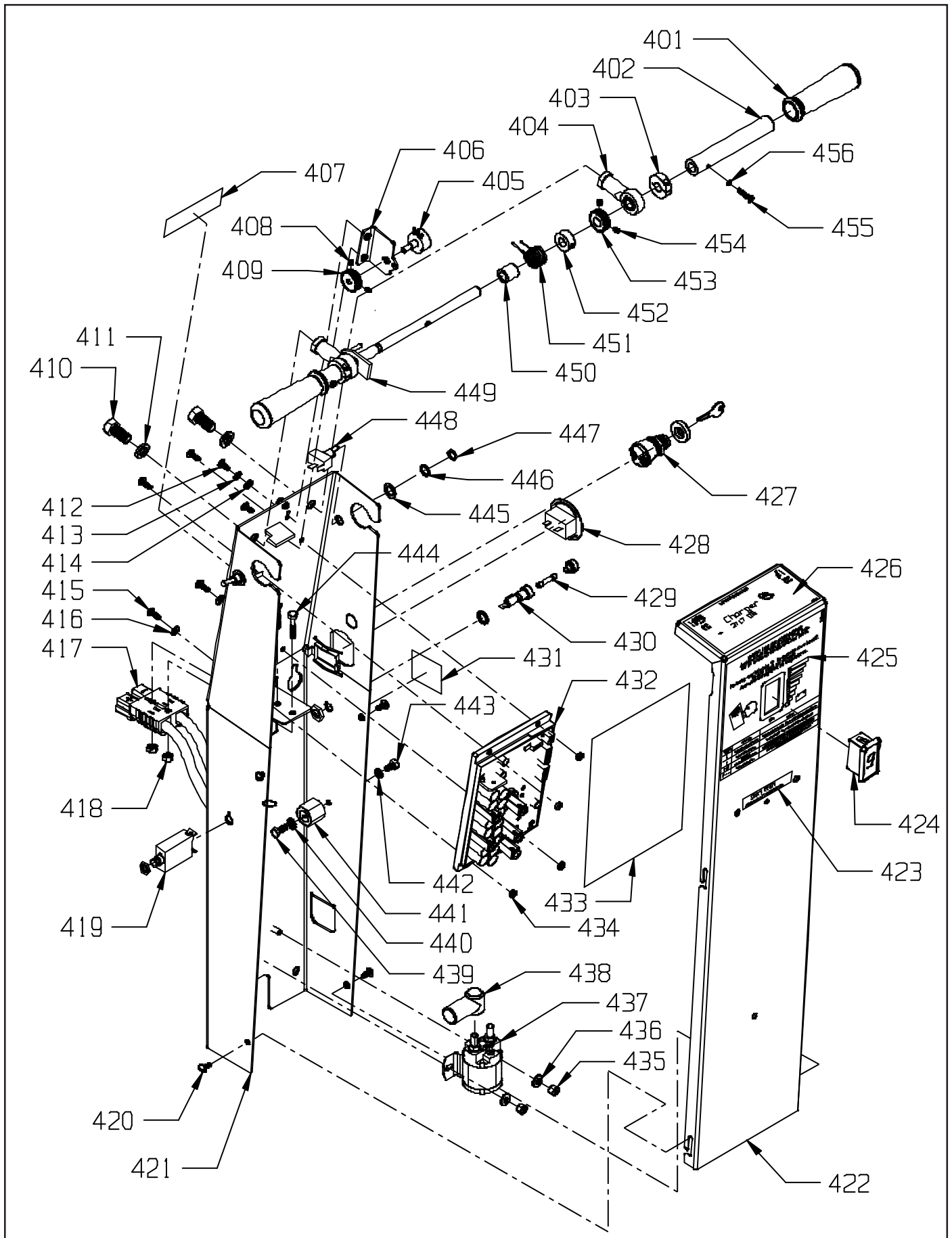
<u>ITEM</u>	<u>PART NO.</u>	<u>PART DESCRIPTION</u>	<u>QTY.</u>
301	9120370	7/32 I.D. X 1/2 O.D. X .032/.065 THICK FLAT WASHER (#10) - PACK OF 10	4
302	9120600	10-24 X 1/2 PAN HEAD PHILLIPS THREAD CUTTING SCREW - PACK OF 10	4
303	6497281	MOTOR COVER	1
304	4792321	CLOUD BURST DECAL - 2 X 8	1
305	9122260	3/8-16 X 1 HEX BOLT - PACK OF 2	1
306	9122100	3/8 SPLIT LOCK WASHER - PACK OF 10	1
307	6497251	ARM, BRUSH ASSEMBLY	1
308	6496651	GRIP BASE	1
309	3392901	HANDLE GRIP	1
310	9122020	3/8 X 3/8 SOCKET HEAD SHOULDER BOLT - PACK OF 1	4
311	9120530	10-24 X 7/8 TRUSS HEAD PHILLIPS MACHINE SCREW - PACK OF 5	2
312	2790751	BUSHING SPACER	2
313	9122450	17/32 I.D. X 1 1/16 O.D. X .074/.121 THICK FLAT WASHER (1/2) - PACK OF 5	2
314	9122420	1/2 SPLIT LOCK WASHER - PACK OF 5	2
315	9122550	1/2-13 X 1 1/2 HEX BOLT - PACK OF 1	2
316	6497311	BAG, FILTER MEDIA	1
317	6496531	GAS SPRING (GGS 23-120 I) - INCLUDES:	1
	6496771	SPRING CLIP	2
318	6496541	BALL STUD - GAS SPRING MOUNT	1
319	9121410	5/16 EXTERNAL STAR LOCK WASHER - PACK OF 10	1
320	9121450	5/16-18 HEX NUT WITH NY-LOCK INSERT - PACK OF 5	1
321	2395761	CLAMP, TUBE	1
322	9122140	3/8-16 HEX NUT WITH NY=LOCK INSERT - PACK OF 5	1
323	3393891	COLLAR, SHAFT 1/2"	1
324	6496681	GUIDE, SPRING	1
325	6496671	COMPRESSION SPRING 1.75 X .935 O.D.	1
326	2691181	PIVOT SPACER, STABILIZER BAR	1
327	9122180	13/32 I.D. X 13/16 O.D. X .051/.080 THICK FLAT WASHER (3/8) - PACK OF 10	1
328	9122100	3/8 SPLIT LOCK WASHER - PACK OF 10	1
329	9122300	3/8-16 X 1 1/4 HEX BOLT - PACK OF 2	1
330	9120350	10-24 HEX NUT WITH NY-LOCK INSERT - PACK OF 10	2
331	6496781	TILT SWITCH	1
332	4991371	FULLY INSULATED MALE TERMINAL 22-18 GAGE	2
333	9121600	5/16-18 X 5/8 HEX NUT - PACK OF 5	1

HEAD ARM ASSEMBLY



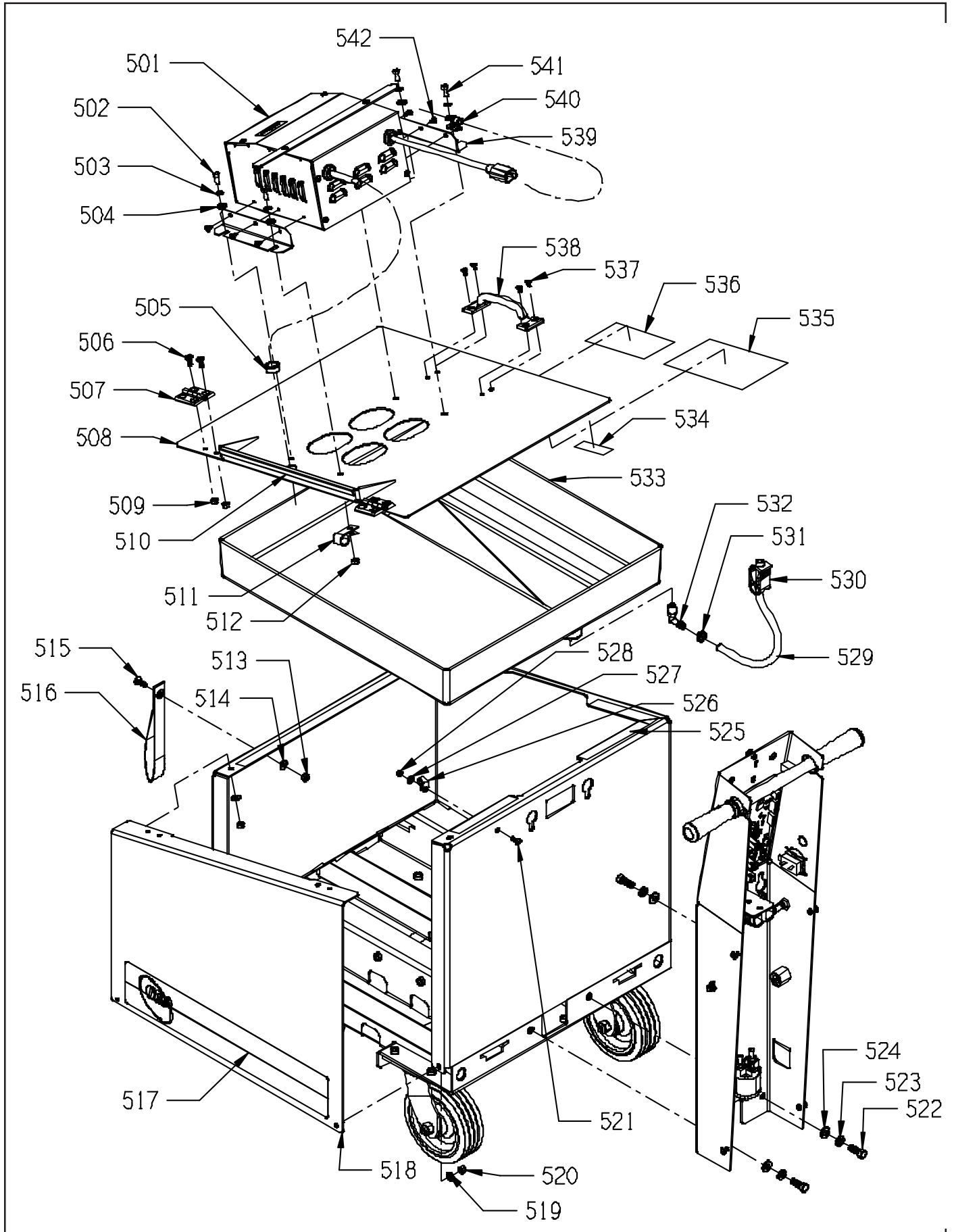
<u>ITEM</u>	<u>PART NO.</u>	<u>PART DESCRIPTION</u>	<u>QTY.</u>
401	3392901	HANDLE GRIP	2
402	2691871	HANDLE GRIP BASE	2
403	3393891	COLLAR, SHAFT 1/2"	2
404	2391941	BALL JOINT	2
405	2694131	POTENTIOMETER	1
406	6496991	POTENTIOMETER BRACKET	1
407	3394001	TWISTER APPROVED DECAL	1
408	9120170	8-32 X 3/16 SET SCREW - KNURL POINT - STEEL - PACK OF 5	2
409	2691941	DRIVEN GEAR, POTENTIOMETER	1
410	9122700	1/2-20 X 1 HEX BOLT - PACK OF 2	2
411	9122420	1/2 SPLIT LOCK WASHER - PACK OF 5	2
412	9120510	10-24 X 1/2 TRUSS HEAD PHILLIPS MACHINE SCREW - PACK OF 10	2
413	9120330	10 EXTERNAL STAR LOCK WASHER - PACK OF 10	2
414	9120370	7/32 I.D. X 1/2 O.D. X .032/.065 THICK FLAT WASHER (#10) - PACK OF 10	2
415	9120430	10-24 X 3/4 ROUND HEAD PHILLIPS MACHINE SCREW - PACK OF 10	4
416	9120370	7/32 I.D. X 1/2 O.D. X .032/.065 THICK FLAT WASHER (#10) - PACK OF 10	4
417	6496811	WIRE ASSEMBLY, ANDERSON - MACHINE - INCLUDES:	1
	6491841	175 AMP ANDERSON WITH CONTACTS GRAY 36 VOLT	1
418	9120900	1/4-20 HEX NUT WITH NY-LOCK INSERT - PACK OF 10	2
419	6491261	CIRCUIT BREAKER - 90 AMP	1
420	9120510	10-24 X 1/2 TRUSS HEAD PHILLIPS MACHINE SCREW - PACK OF 10	5
421	6496601	CONTROL FRAME	1
422	6497411	CONTROL FRAME COVER	1
423	6497391	SULKY READY DECAL	1
424	6496971	BATTERY METER WITH HARNESS - INCLUDES:	1
	6496981	BATTERY METER DISPLAY	1
	6496961	WIRE HARNESS, BATTERY METER - 10 PIN	1
425	6496761	BATTERY METER/CODES DECAL	1
426	6497321	NAMING LABEL, CHARGER 2020 DB	1
427	6497039	KEY SWITCH KIT (OPTIONAL) - INCLUDES:	1
	2795711	KEY SWITCH & KEY	1
	6497021	WIRE ASSEMBLY, KEY SWITCH	1
428	2397361	HOUR METER	1
429	6495741	3AG FAST-ACTING FUSE 4 AMP	1
430	4990321	FUSE HOLDER WITH NUT & WASHER	1
431	3393481	FUSE DECAL	1
432	6497331	CONTROLLER 2022 DB, DRIVE AND BRUSH	1
	9120970	1/4 EXTERNAL STAR LOCK WASHER - PACK OF 10	5
	9120985	1/4-28 X 3/8 PAN HEAD PHILLIPS MACHINE SCREW	5
433	6497561	DECAL, WIRING DIAGRAM	1
434	9120350	10-24 HEX NUT WITH NY-LOCK INSERT - PACK OF 10	4
435	9120900	1/4-20 HEX NUT WITH NY-LOCK INSERT - PACK OF 10	2
436	9120930	9/32 I.D. X 5/8 O.D. X .051/.080 THICK FLAT WASHER (1/4) - PACK OF 10	2
437	4491011	SOLENOID, 36 VOLT	1
438	7692421	TERMINAL BOOT (RED)	1
439	9121210	1/4-20 X 5/8 HEX BOLT - PACK OF 10	1
440	9120970	1/4 EXTERNAL STAR LOCK WASHER - PACK OF 10	1
441	4490561	INSULATED STANDOFF	1
442	9120880	1/4 SPLIT LOCK WASHER - PACK OF 10	1
443	9121170	1/4-20 X 1/2 HEX BOLT - PACK OF 10	1
444	9121060	1/4-20 X 1 1/4 HEX BOLT - PACK OF 5	2
445	9122465	.516 I.D. X .813 O.D. X .027/.030 THICK FLAT WASHER - PACK OF 2	2
446	0691851	1/2 INTERNAL STAR LOCK WASHER	2
447	0798821	5/8" HEX NUT (LARGE NUT)	2
448	4491101	TOGGLE SWITCH, MOTOR	2
449	6496191	HANDLE BAR 2716	1
450	6496081	BEARING PLAIN SLEEVE .5 X .75 X .75 LONG	1
451	6496091	SPRING TORSION .81 I.D. .067 WIRE	1
452	6496171	COLLAR, SHAFT 1/2" SET SCREW	1
453	2691931	DRIVE GEAR, HANDLE BAR	1
454	9120170	8-32 X 3/16 SET SCREW - KNURL POINT - STEEL - PACK OF 5	2
455	9120270	8-32 X 7/8 ROUND HEAD PHILLIPS MACHINE SCREW - PACK OF 10	2
456	9120200	8 SPLIT LOCK WASHER - PACK OF 10	2

CONTROL PANEL ASSEMBLY



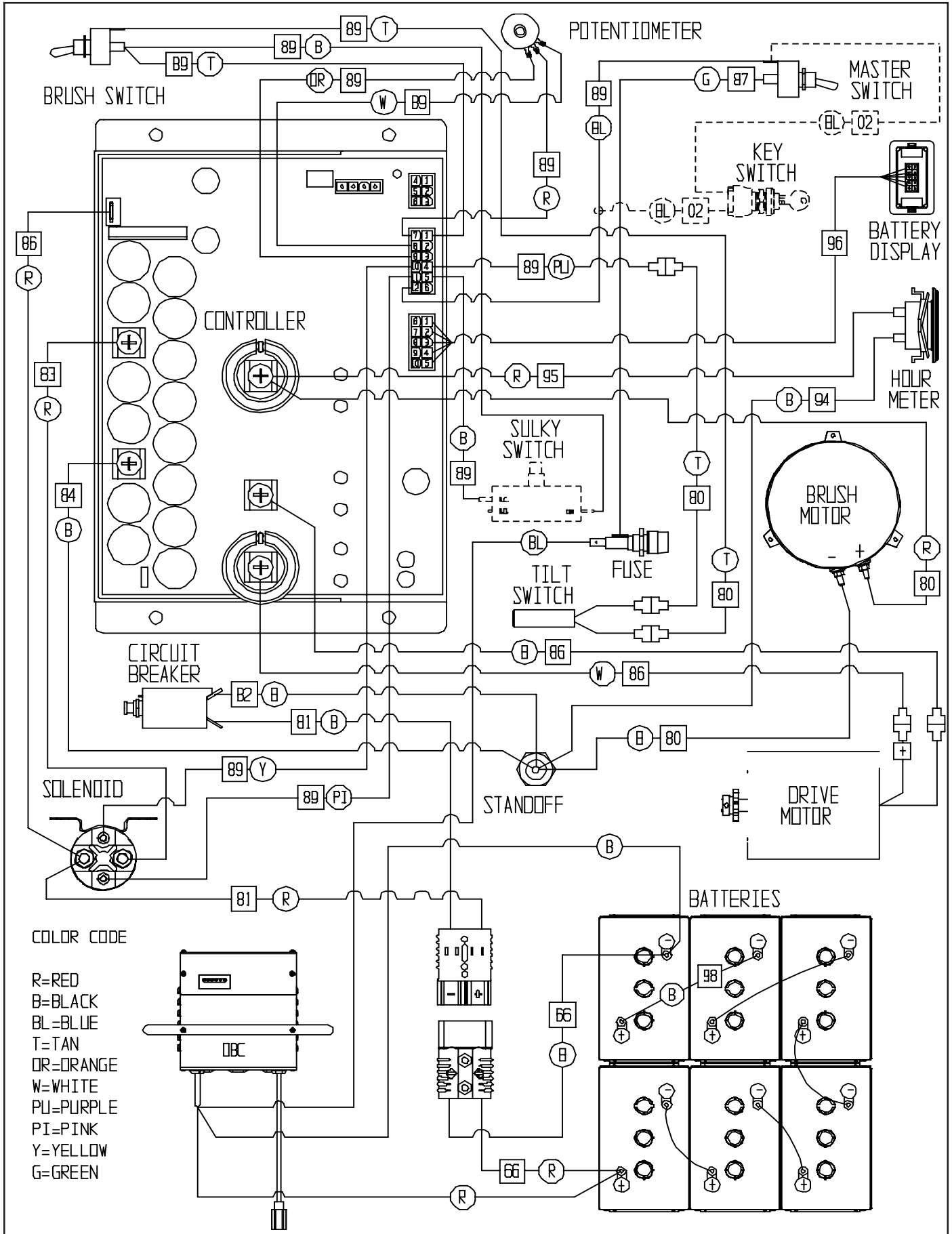
<u>ITEM</u>	<u>PART NO.</u>	<u>PART DESCRIPTION</u>	<u>QTY.</u>
501	6497531	36 VOLT ON-BOARD CHARGER 120/240 VOLT 25 AMP	1
501	6495701	120 VOLT ON-BOARD CHARGER CORD	1
501	6495711	240 VOLT ON-BOARD CHARGER CORD	1
502	9121210	1/4-20 X 5/8 HEX BOLT - PACK OF 10	3
503	9120880	1/4 SPLIT LOCK WASHER - PACK OF 10	4
504	9120930	9/32 I.D. X 5/8 O.D. X .051/.080 THICK FLAT WASHER (1/4) - PACK OF 10	3
505	4890451	BUSHING, SNAPIN, #SB87511 HEYCO	1
506	9121037	1/4-20 X 5/8 FLAT HEAD PHILLIPS MACHINE SCREW - PACK OF 10	8
507	6497811	LID HINGE	2
508	6497221	LID, BODY	1
509	9120900	1/4-20 HEX NUT WITH NY-LOCK INSERT - PACK OF 10	8
510	9997590	METAL CORE QUICKEDGE TRIM - CUT TO 12"	1
511	4890851	CABLE CLAMP, #COV-090 KMC	1
512	9120900	1/4-20 HEX NUT WITH NY-LOCK INSERT - PACK OF 10	4
513	9120900	1/4-20 HEX NUT WITH NY-LOCK INSERT - PACK OF 10	1
514	9120930	9/32 I.D. X 5/8 O.D. X .051/.080 THICK FLAT WASHER (1/4) - PACK OF 10	1
515	9121010	1/4-20 X 3/4 TRUSS HEAD PHILLIPS MACHINE SCREW - PACK OF 5	1
516	6497051	BRUSH HEAD RETAINING STRAP	1
517	7691891	CLOUD BURST DECAL - 3.5 X 20	2
518	6497231	SIDE PANEL	1
519	9120930	9/32 I.D. X 5/8 O.D. X .051/.080 THICK FLAT WASHER (1/4) - PACK OF 10	4
520	9120900	1/4-20 HEX NUT WITH NY-LOCK INSERT - PACK OF 10	4
521	9120520	10-24 X 5/8 TRUSS HEAD PHILLIPS MACHINE SCREW - PACK OF 10	1
522	9122260	3/8-16 X 1 HEX BOLT - PACK OF 2	4
523	9122100	3/8 SPLIT LOCK WASHER - PACK OF 10	4
524	9122180	13/32 I.D. X 13/16 O.D. X .051/.080 THICK WROUGHT WASHER (3/8) - PACK OF 10	4
525	9997560	VELCRO LOOP, PRESSURE SENSITIVE	3.8
526	4894071	CLAMP, .437 DIAMETER CABLE, HEYCO	1
527	9120370	7/32 I.D. X 1/2 O.D. X .032/.065 THICK FLAT WASHER (#10) - PACK OF 10	1
528	9120350	10-24 HEX NUT WITH NY-LOCK INSERT - PACK OF 10	1
529	8791070	VINYL HOSE, 3/8" I.D. X 1/2" O.D.	1.3
530	3390661	TUBING CONTROL VALVE	1
531	2392481	HOSE CLAMP, 7/32" - 5/8" DIAMETER	1
532	2490601	FITTING, ELL 3/8 BARB X 1/4 NPT	1
533	6497271	BATTERY TRAY	1
534	9997550	VELCRO HOOK, PRESSURE SENSITIVE	.5
535	6497581	DECAL, BATTERY WARNING - OBC	1
536	3394141	OBC WARNING DECAL	1
537	9120390	10-24 X 3/8 FLAT HEAD PHILLIPS MACHINE SCREW - PACK OF 10	4
538	7692271	LIFT HANDLE	1
539	2695841	BATTERY CHARGER MOUNTING BRACKET	2
540	3291111	CORD CLAMP	1
541	9121270	1/4-20 X 1 HEX BOLT - PACK OF 10	1
542	9120810	#10 X 1/2 PAN HEAD SHEET METAL SCREW - PACK OF 10	6

LID AND SIDE ASSEMBLY

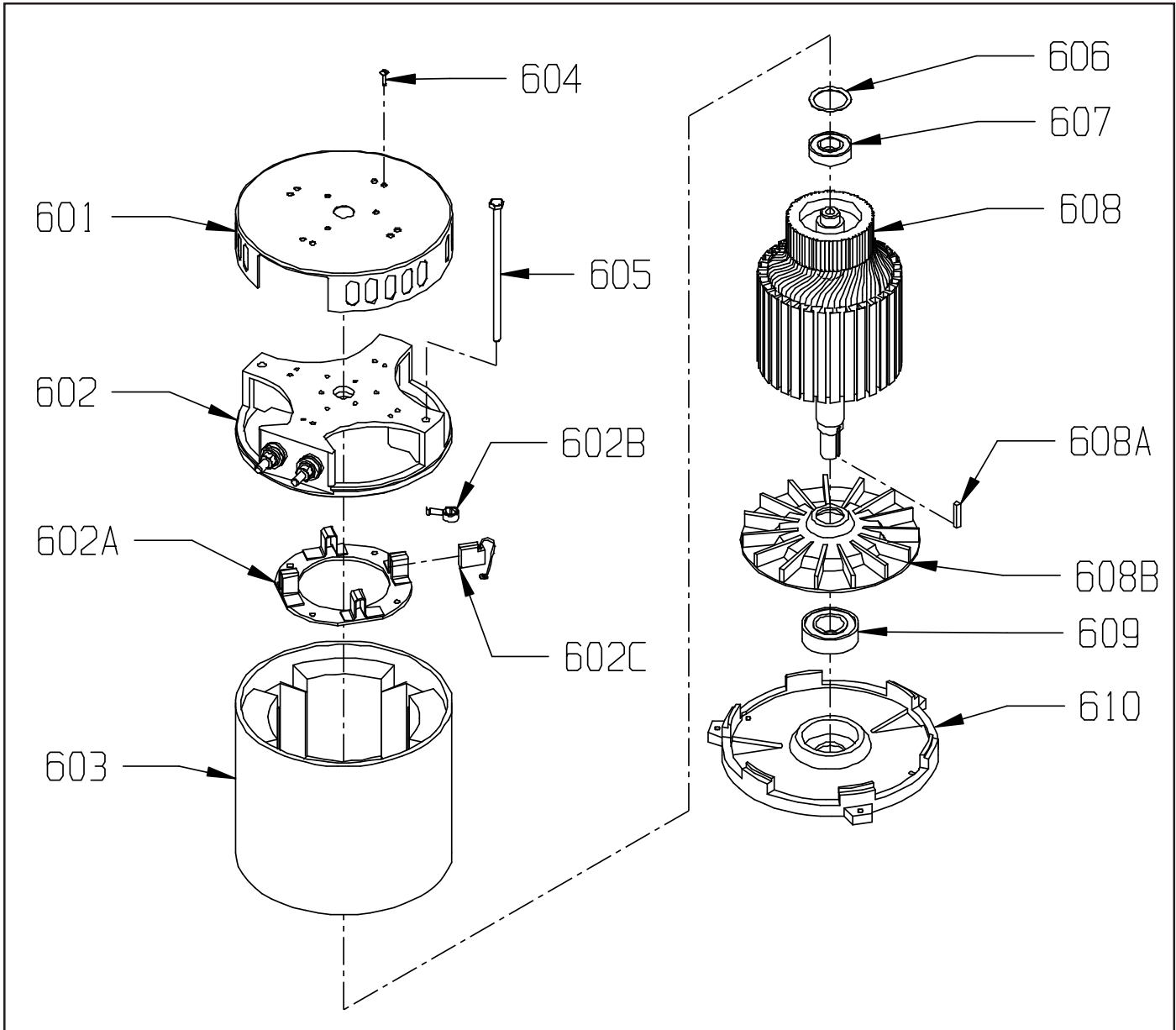


<u>ITEM</u>	<u>PART NO.</u>	<u>PART DESCRIPTION</u>	<u>QTY.</u>
66	7691661	WIRING ASSEMBLY ANDERSON TO BATTERY	1
80	6496801	WIRE HARNESS, BRUSH MOTOR	1
81	6496811	WIRE ASSEMBLY, ANDERSON - MACHINE	1
82	6496821	WIRE, BREAKER TO STANDOFF	1
83	6496831	WIRE, SOLENOID TO CONTROLLER	1
84	6496841	WIRE, CONROLLER TO STANDOFF	1
86	6496861	WIRE, CONTROLLER TO DRIVE MOTOR	1
87	6496871	WIRE, FUSE HOLDER - MASTER SWITCH	1
89	6496891	WIRE HARNESS, CONTROLLER - 12 PIN	1
94	6496941	WIRE, HOUR METER TO STANDOFF	1
95	6496951	WIRE, SPEED CONTROL - HOUR METER	1
98	2391981	BATTERY JUMPER 3/8" RING	5
--	2397361	HOUR METER WITH CLAMP	1
--	2490581	1/4 SPADE MALE TERMINAL 10-12 YELLOW	2
--	2694131	POTENTIOMETER	1
--	2790101	DRIVE MOTOR 36 VOLT	1
--	4490561	INSULATED STANDOFF	1
--	4491011	SOLENOID, 36 VOLT	1
--	4491101	TOGGLE SWITCH, MOTOR	2
--	4990321	FUSE HOLDER WITH NUT & WASHER	1
--	4991371	FULLY INSULATED MALE TERMINAL 22-18	2
--	5390211	SWITCH (SULKY)	1
--	6491261	CIRCUIT BREAKER - 90 AMP	1
--	6497531	36 VOLT ON-BOARD CHARGER 120/240 VOLT 25 AMP	1
--	6495701	120 VOLT ON-BOARD CHARGER CORD	1
--	6495711	240 VOLT ON-BOARD CHARGER CORD	1
--	6495741	3AG FAST-ACTING FUSE 4 AMP	1
--	6493521	MOTOR 2500 RPM, 36V	1
--	6496781	TILT SWITCH	1
--	6496971	BATTERY METER WITH HARNESS	1
--	6496981	BATTERY METER DISPLAY	1
--	6496961	WIRE HARNESS, BATTERY METER - 10 PIN	1
--	6497039	KEY SWITCH KIT (OPTIONAL) - INCLUDES:	1
--	7692511	KEY SWITCH & KEY	1
--	7692521	REPLACEMENT KEY FOR SWITCH 7692511	1
02	6497021	WIRE ASSEMBLY, KEY SWITCH	1
--	6497331	CONTROLLER 2022 DB, DRIVE AND BRUSH	1

WIRE DIAGRAM

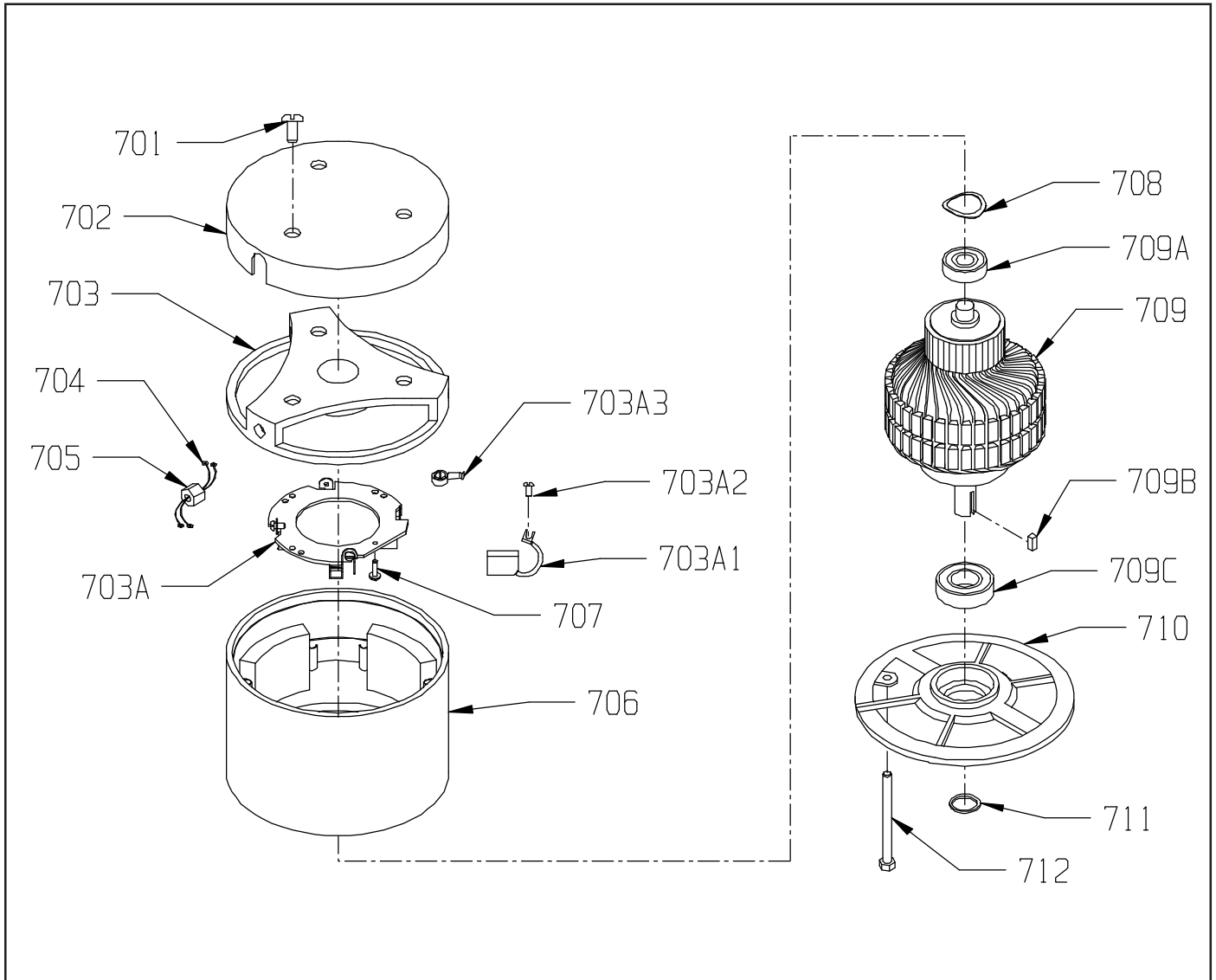


HEAD MOTOR



<u>ITEM</u>	<u>PART NO.</u>	<u>DESCRIPTION</u>	<u>QTY.</u>
	6493521	MOTOR 2500 RPM, 36V - INCLUDES:	1
601	5991731	COMMUTATOR BRACKET COVER	1
602	6493531	COMMUTATOR BRACKET ASSEMBLY - INCLUDES:	1
602	6493541	COMMUTATOR BRACKET	1
602A	6493601	BRUSH BOARD ASSEMBLY - INCLUDES:	1
602A1	6493591	SPRING	4
602A2	7692041	CARBON BRUSH	4
603	5991521	STATOR FRAME ASSEMBLY - WITH CLIPS AND MAGNETS - 3 HP	1
604	9120600	10-24 X 1/2 PAN HEAD PHILLIPS THREAD CUTTING SCREW - PK 10	4
605	5991701	THRU BOLT	2
606	5991741	HELICAL WASHER - LARGE	1
607	5991551	BEARING - TOP END	1
608	6493611	ARMATURE - 2500 RPM - INCLUDES:	1
608A	9120827	3/16 SQUARE X 1 LONG KEY - STEEL - PACK OF 2	1
608B	6493571	ALUMINUM FAN	1
609	5991541	BEARING - BOTTOM END	1
610	6493551	END BRACKET - BOTTOM END	1

DRIVE MOTOR



ITEM	PART NO.	DESCRIPTION	QTY
	2790101	DRIVE MOTOR ASSEMBLY 36 VOLT - INCLUDES:	1
701	-----	PAN HEAD SCREW	3
702	2797721	TOP COVER	1
703	-----	TOP END BELL ASSEMBLY	1
703A	2797681	BRUSH BOARD ASSEMBLY - INCLUDES:	1
703A1	2797571	BRUSH SPRING	4
703A2	-----	10-32 X 3/8 BRASS PAN HEAD SCREW	4
703A3	2797691	CARBON BRUSH WITH LEAD AND TERMINAL	4
704	2797581	LEAD ASSEMBLY - 1 WIRE WITH TERMINALS	2
705	-----	HEYCO STRAIN RELIEF	1
706	2797651	STATOR FRAME ASSEMBLY WITH MAGNETS	1
707	9120600	10-24 X 1/2 SELF TAPPING ROUND HEAD SCREW - PACK OF 10	3
708	2797591	HELICAL WASHER	1
709	2797661	ARMATURE ASSEMBLY - INCLUDES:	1
709A	5092041	BEARING TOP END - COMMUTATOR END	1
709B	2792681	SHAFT KEY	1
709C	2790311	BEARING, BOTTOM END (SHAFT END)	1
710	2797711	BOTTOM END BELL	1
711	2797731	SHAFT SEAL	1
712	-----	THRU BOLT	2

ACCESSORIES



<u>PART NO.</u>	<u>PART DESCRIPTION</u>
NOTE:	ALL PADS COME 5 PADS PER CASE (EXCEPT TWISTER PADS)
7992051	20" LITE BLUE POLISH / BURNISH PAD - FOR SOFT FINISH
7992061	20" LITE HAIR BURNISH PAD - FOR ALL FINISHES
7992081	20" ULTRA HAIR HARD FINISH PAD - FOR HARD FINISH
7992091	20" ULTIMATE HAIR PAD - HARD FINISH AGGRESSIVE BURNISHING
7992021	20" GREEN SCRUB PAD - HEAVY FINISH REMOVAL
7992001	20" BLACK STRIP PAD - REMOVES FINISH COMPLETELY
7992011	20" BROWN STRIP PAD - REMOVES FINISH COMPLETELY

TWISTER PADS

7992201	20" TWISTER STARTER KIT
7992141	20" TWISTER RED PAD
7992131	20" TWISTER WHITE PAD
7992121	20" TWISTER YELLOW PAD
7992101	20" TWISTER GREEN PAD



NSS ® Enterprises, Inc.

3115 Frenchmens Road, Toledo, Ohio 43607
PHONE (419) 531-3761 FAX (419) 531-3761
NSS ® Enterprises, Inc. European Distribution Centre
Unit II, Pinfold Trading Estate * 55 Nottingham Road
STAPLEFORD, NOTTINGHAM NG9 8AD ENGLAND U.K.
PHONE: (44) 0115 939 1568 * FAX: (44) 0115 949 0615