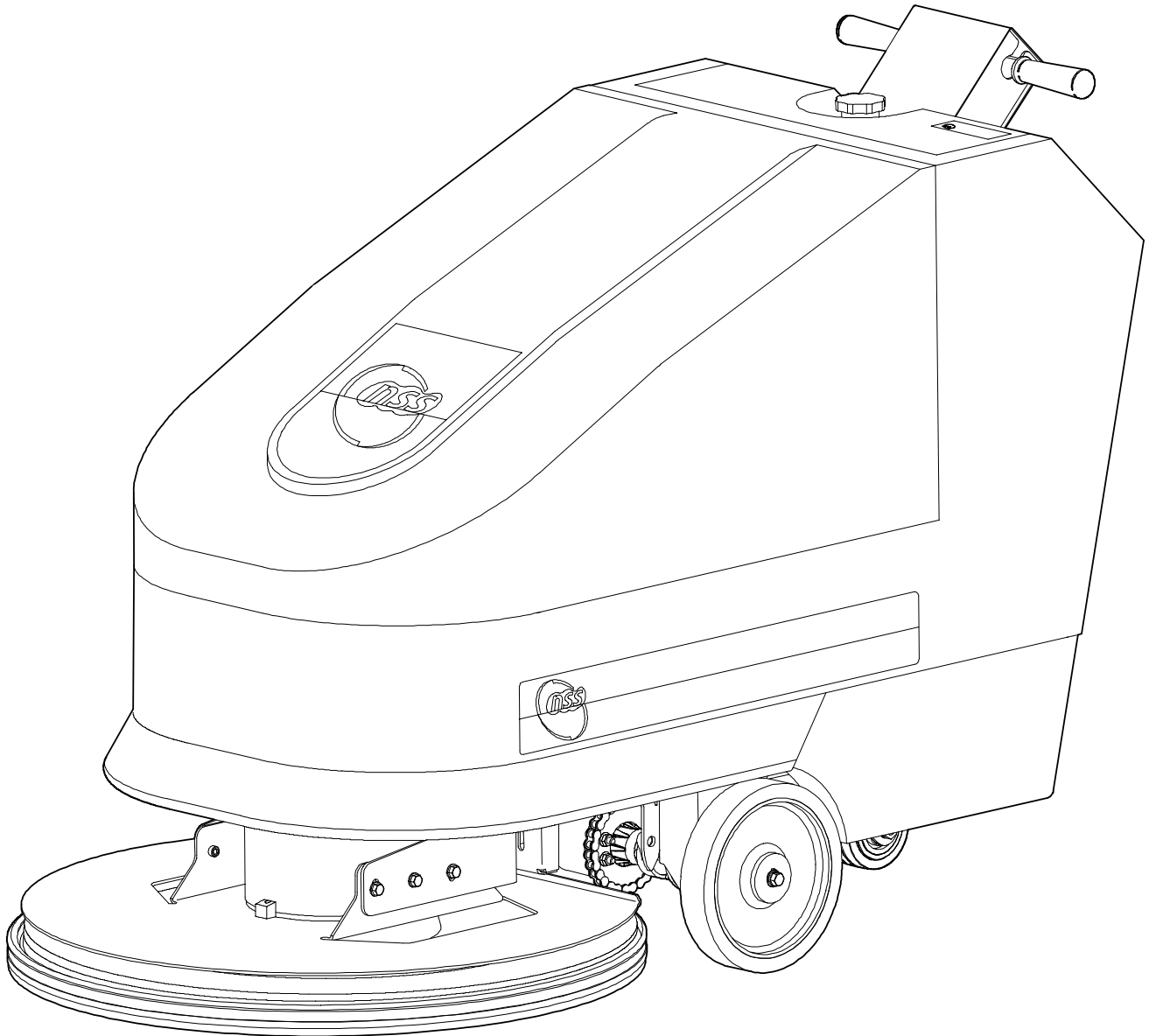
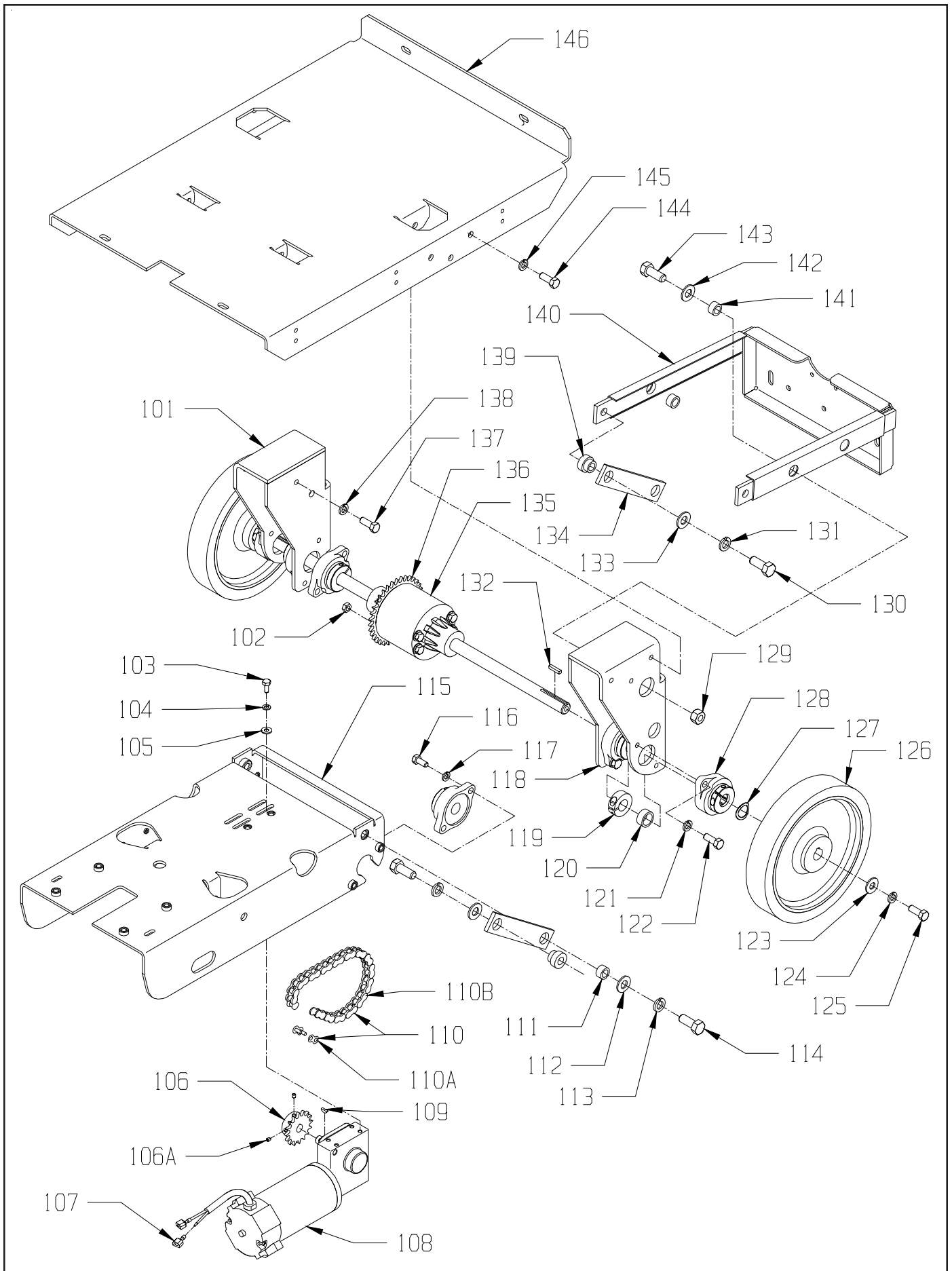


PARTS LIST
CHARGER 2716 DB



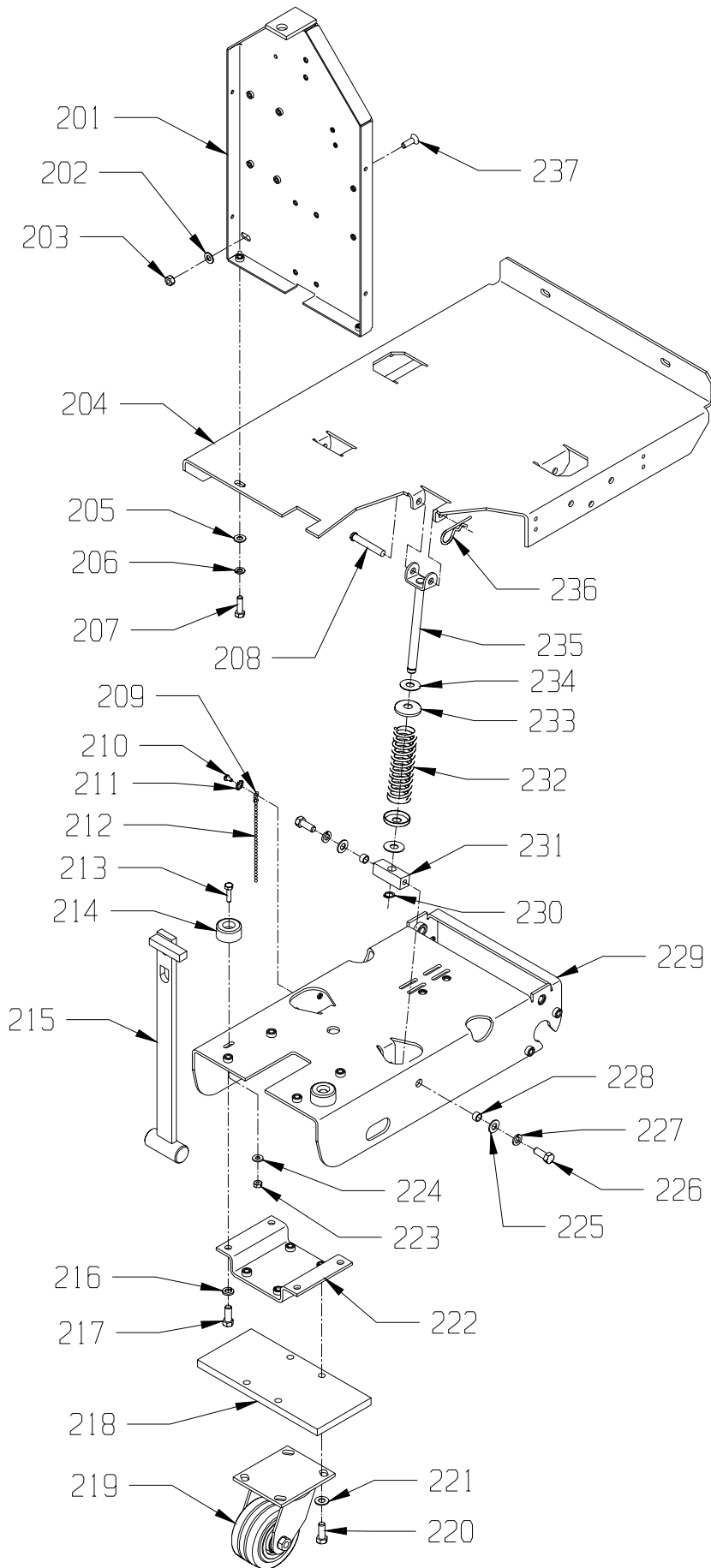
ITEM	PART NO.	DESCRIPTION	QTY.
101	6495381	LEFT OUTER BEARING / PIVOT MOUNT	1
102	9121450	5/16-18 HEX NUT WITH NY-LOK INSERT - PACK OF 5	4
103	9121210	1/4-20 X 5/8 HEX BOLT - PACK OF 10	4
104	9120880	1/4 SPLIT LOCK WASHER - PACK OF 10	4
105	9120930	9/32 I.D. X 5/8 O.D. X .051/.080 THICK SAE FLAT WASHER (1/4) - PACK OF 10	4
106	6495531	SPROCKET 40BS12H - INCLUDES:	1
106A	9120860	1/4-20 X 3/8 SET SCREW - CUP POINT - PACK OF 5	2
107	5490161	FULLY INSULATED FEMALE TERMINAL 14-16 GAGE	2
108	6495291	DRIVE MOTOR 36 VOLT	1
109	9120311	1/8 X 1/2 WOODRUFF KEY - ALLOY - PACK OF 1	1
110	6495569	#40 ROLLER CHAIN 33 LINKS + MASTER - INCLUDES:	1
110A	2795211	LINK - MASTER #40 CHAIN	1
110B	6495541	#40 ROLLER CHAIN 33 LINKS NO MASTER	1
111	4492791	BUSHING, PIVOT	2
112	9122450	17/32 I.D. X 1 1/16 O.D. X .074/.121 THICK SAE FLAT WASHER (1/2) - PK 5	2
113	9122420	1/2 SPLIT LOCK WASHER - PACK OF 5	2
114	9122540	1/2-13 X 1 1/4 HEX BOLT - PACK OF 1	2
115	6495151	FRAME	1
116	9122260	3/8-16 X 1 HEX BOLT - PACK OF 2	4
117	9122100	3/8 SPLIT LOCK WASHER - PACK OF 10	4
118	6495371	RIGHT OUTER BEARING / PIVOT MOUNT	1
119	6490201	SUPPORT-LEG, SHAFT COLLAR	2
120	4492921	SPACER - WHEEL	2
121	9122100	3/8 SPLIT LOCK WASHER - PACK OF 10	8
122	9122260	3/8-16 X 1 HEX BOLT - PACK OF 2	8
123	9121985	13/32 I.D. X 1 O.D. X .12 THICK FLAT WASHER (11 GAGE) - PACK OF 1	2
124	9121520	5/16 SPLIT LOCK WASHER - PACK OF 10	2
125	9121640	5/16-18 X 3/4 HEX BOLT - PACK OF 5	2
126	6495391	DRIVE WHEEL 9 X 1 5/8	2
127	9123110	13/16 I.D. X 1 1/8 O.D. X .13 THICK WAVE SPRING WASHER (3/4) - PK 1	2
128	6495061	PILLOW BLOCK BEARING WITH GRIP-IT BEARING RING	6
129	9122495	1/2-13 HEX NUT WITH NY-LOK INSERT - THIN - PACK OF 1	2
130	9122540	1/2-13 X 1 1/4 HEX BOLT - PACK OF 1	2
131	9122420	1/2 SPLIT LOCK WASHER - PACK OF 5	2
132	9120829	3/16 SQUARE X 1 1/2 LONG KEY - STEEL - PACK OF 1	2
133	9122450	17/32 I.D. X 1 1/16 O.D. X .074/.121 THICK SAE FLAT WASHER (1/2) - PK 5	2
134	6490691	LIFT ARM	2
135	6495111	DIFFERENTIAL - LONG	1
136	6495521	SPROCKET 40A26	1
137	9122220	3/8-16 X 3/4 HEX BOLT - PACK OF 5	2
138	9122100	3/8 SPLIT LOCK WASHER - PACK OF 10	2
139	4495141	LIFT ARM SPACER	2
140	6495501	PIVOT WELDMENT	1
141	4492791	BUSHING, PIVOT	2
142	9122450	17/32 I.D. X 1 1/16 O.D. X .074/.121 THICK SAE FLAT WASHER (1/2) - PK 5	2
143	9122540	1/2-13 X 1 1/4 HEX BOLT - PACK OF 1	2
144	9122220	3/8-16 X 3/4 HEX BOLT - PACK OF 5	6
145	9122100	3/8 SPLIT LOCK WASHER - PACK OF 10	6
146	6495361	BASE PLATE	1

DRIVE



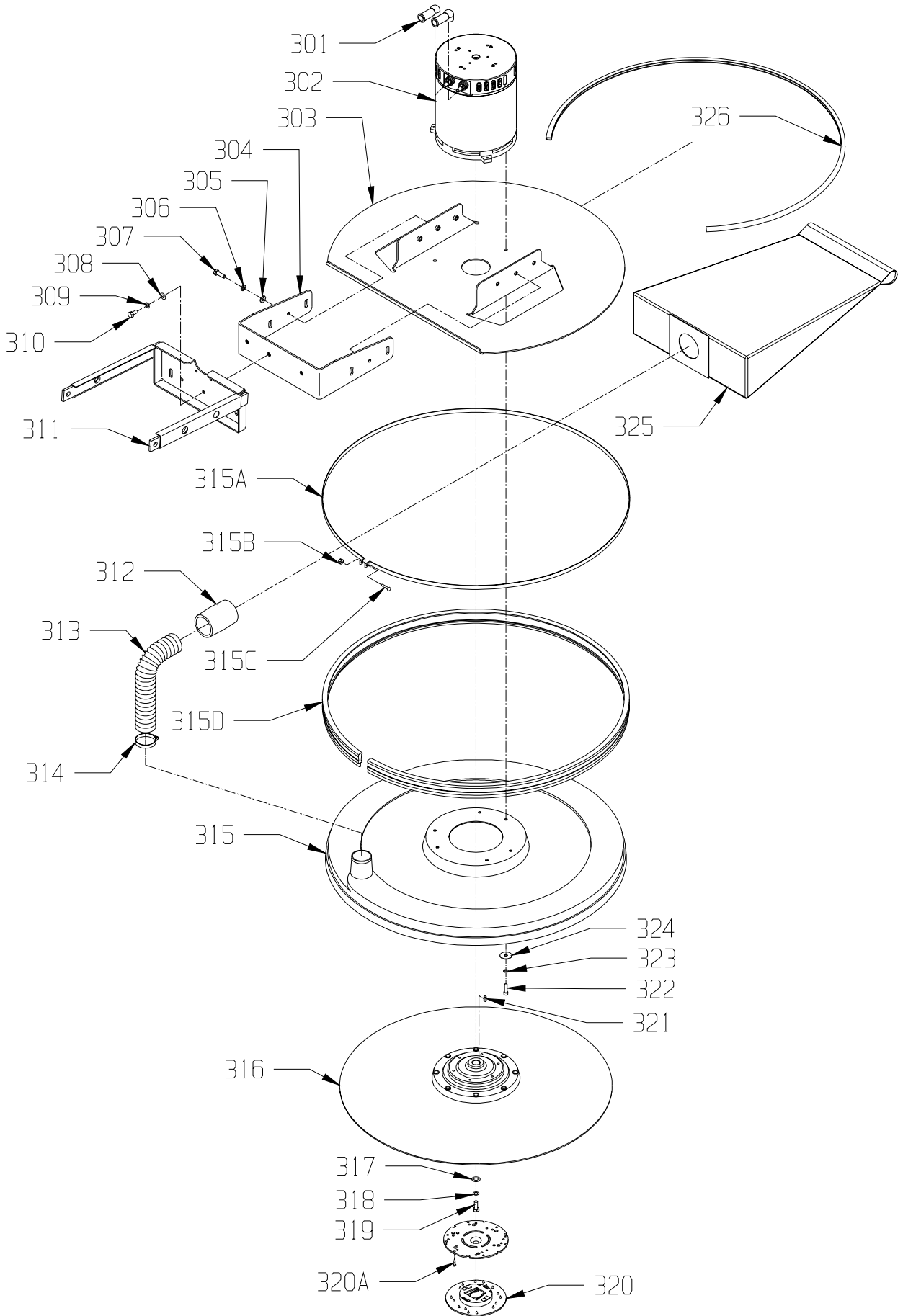
ITEM	PART NO.	DESCRIPTION	QTY.
201	6495511	CONTROL FRAME WELDMENT	1
202	9121390	11/32 I.D. X 11/16 O.D. X .051/.080 THICK SAE FLAT WASHER (5/16) - PK 10	2
203	9121450	5/16-18 HEX NUT WITH NY-LOK INSERT - PACK OF 5	2
204	6495361	BASE PLATE	1
205	9121390	11/32 I.D. X 11/16 O.D. X .051/.080 THICK SAE FLAT WASHER (5/16) - PK 10	2
206	9121520	5/16 SPLIT LOCK WASHER - PACK OF 10	2
207	9121640	5/16-18 X 3/4 HEX BOLT - PACK OF 5	2
208	7690311	3/8 DIAMETER X 2.5 CLEVIS PIN	1
209	6491871	END COUPLING ROUND BEAD CHAIN	1
210	9120380	10-24 X 3/8 ROUND HEAD PHILLIPS MACHINE SCREW - PACK OF 10	1
211	9120330	10 EXTERNAL STAR LOCK WASHER - PACK OF 10	1
212	6491860	ROUND BEAD CHAIN (CUT LENGTH 6")	.5'
213	9121270	1/4-20 X 1 HEX BOLT - PACK OF 10	2
214	4894461	RUBBER STOP	2
215	6490701	CATCH ASSEMBLY	1
216	9122100	3/8 SPLIT LOCK WASHER - PACK OF 10	4
217	9122220	3/8-16 X 3/4 HEX BOLT - PACK OF 5	4
218	6495461	CASTER BLOCK	1
219	6492061	RED 4 INCH CASTER - INCLUDES:	1
	4490391	CASTER WHEEL WITH BEARING	1
220	9122075	3/8-16 X 1 1/2 HEX BOLT - PACK OF 2	4
221	9122100	3/8 SPLIT LOCK WASHER - PACK OF 10	4
222	6495141	CASTER MOUNT	1
223	9120930	9/32 I.D. X 5/8 O.D. X .051/.080 THICK SAE FLAT WASHER (1/4) - PACK OF 10	2
224	9120900	1/4-20 HEX NUT WITH NY-LOK INSERT - PACK OF 10	2
225	9122180	13/32 I.D. X 13/16 O.D. X .051/.080 THICK - PACK OF 10	2
226	9122260	3/8-16 X 1 HEX BOLT - PACK OF 2	2
227	9122100	3/8 SPLIT LOCK WASHER - PACK OF 10	2
228	2691181	PIVOT SPACER, STABILIZER BAR	2
229	6495151	FRAME	1
230	9122496	RETAINING RING	1
231	6495891	PIVOT	1
232	6495871	COMPRESION SPRING	1
233	3190191	STRING GUARD	2
234	5390811	1/2 X 1 X .07 THICK FLAT WASHER - NYLATRON	2
235	6495881	SPRING GUIDE	1
236	7690491	#6 HAIR COTTER PIN	1
237	9121470	5/16-18 X 1 FLAT HEAD PHILLIPS MACHINE SCREW - PACK OF 5	4

BASE



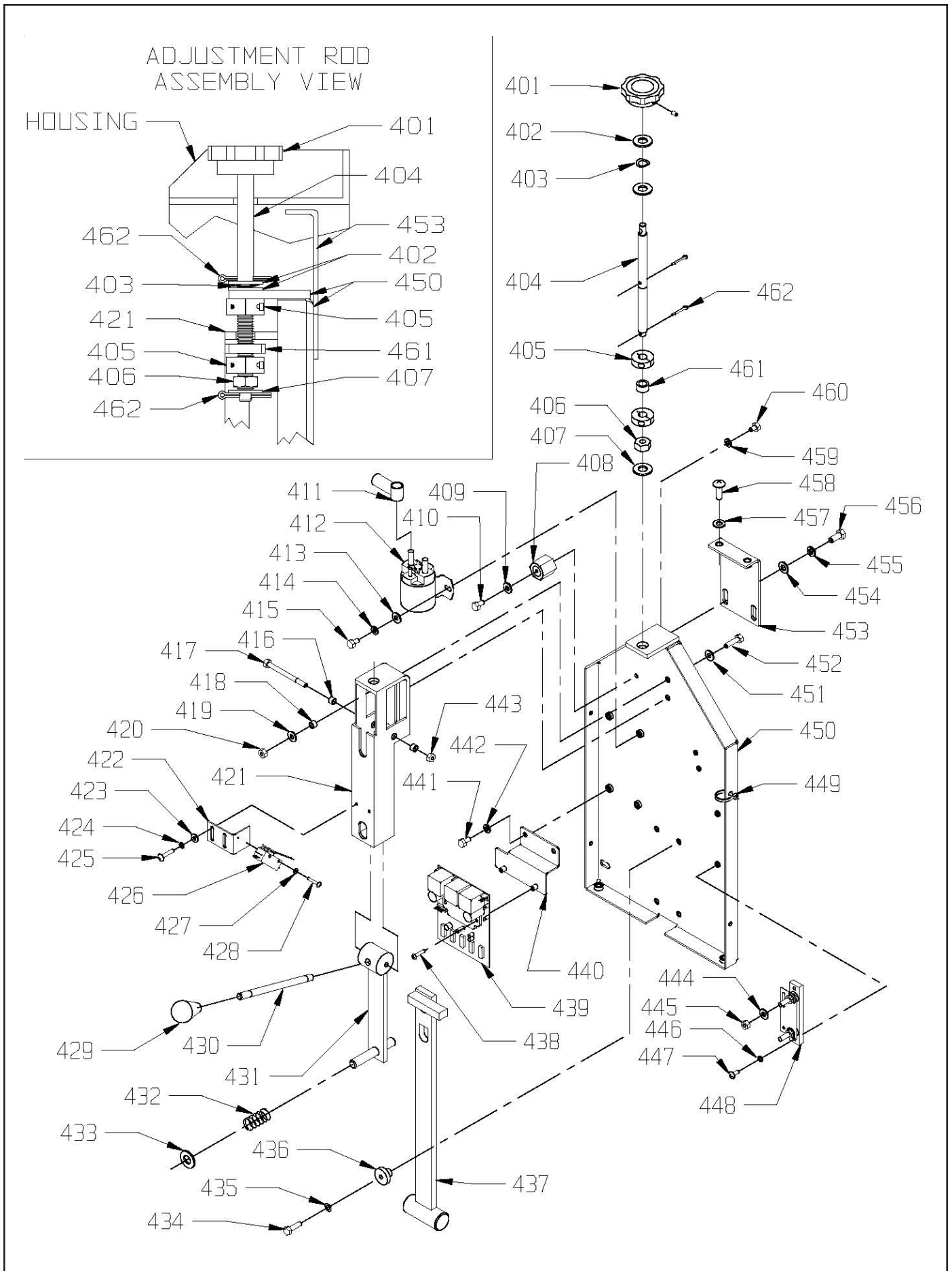
ITEM	PART NO.	DESCRIPTION	QTY.
301	6492051	STUD TERMINAL BOOT - RUBBER	2
302	6495641	MOTOR - 36 VOLT - 1600 RPM - 3.25 HP	1
303	6495093	STEEL SKIRT / MOTOR MOUNT	1
304	6495351	SKIRT MOUNT FORK	1
305	9121390	11/32 I.D. X 11/16 O.D. X .051/.080 THICK SAE FLAT WASHER (5/16) - PK 10	6
306	9121520	5/16 SPLIT LOCK WASHER - PACK OF 10	6
307	9121640	5/16-18 X 3/4 HEX BOLT - PACK OF 5	6
308	9121390	11/32 I.D. X 11/16 O.D. X .051/.080 THICK SAE FLAT WASHER (5/16) - PK 10	3
309	9121520	5/16 SPLIT LOCK WASHER - PACK OF 10	3
310	9121640	5/16-18 X 3/4 HEX BOLT - PACK OF 5	3
311	6495501	PIVOT WELDMENT	1
312	4495531	END CUFF - 2"	1
313	3392561	VAC EXHAUST HOSE	1
314	4495441	HOSE CLAMP, 1 9/16" TO 2 1/2" DIAMETER	1
315	6495459	CW-FLEXIWALL SHIELD ASSEMBLY - INCLUDES:	1
315A	6592552	BUMPER STRAP	1
315B	9120350	10-24 HEX NUT WITH NY-LOK INSERT - PACK OF 10	1
315C	9120450	10-24 X 1 ROUND HEAD PHILLIPS MACHINE SCREW - PACK OF 10	1
315D	6592531	BUMPER / BRUSH	1
316	6492558	DRIVER, PAD - 27" ASSEMBLED & BALANCED	1
317	9121985	13/32 I.D. X 1 O.D. X .12 THICK FLAT WASHER (11 GAGE) - PACK OF 1	1
318	9121520	5/16 SPLIT LOCK WASHER - PACK OF 10	1
319	9121490	5/16-24 X 7/8 HEX BOLT - PACK OF 2	1
320	5990731	SPRING CLIP PAD HOLDER SET - INCLUDES:	1
320A	9120810	10 X 1/2 PAN HEAD PHILLIPS SHEET METAL SCREW - PACK OF 10	3
321	9120815	3/16 SQUARE X 1/2 LONG KEY - STEEL - PACK OF 1	1
322	9120980	1/4-20 X 1 SOCKET HEAD CAP SCREW - PACK OF 5	3
323	9120880	1/4 SPLIT LOCK WASHER - PACK OF 10	3
324	9120950	1/4 X 1 1/4 FENDER WASHER - PACK OF 10	3
325	6592801	VAC TRAC COLLECTION BAG	1
	5796101	PAPER BAG - 5 PACK (OPTIONAL)	1
326	9997590	METAL CORE QUICKEDGE TRIM (CUT TO 66")	5.5'

SHIELD AND PAD DRIVER



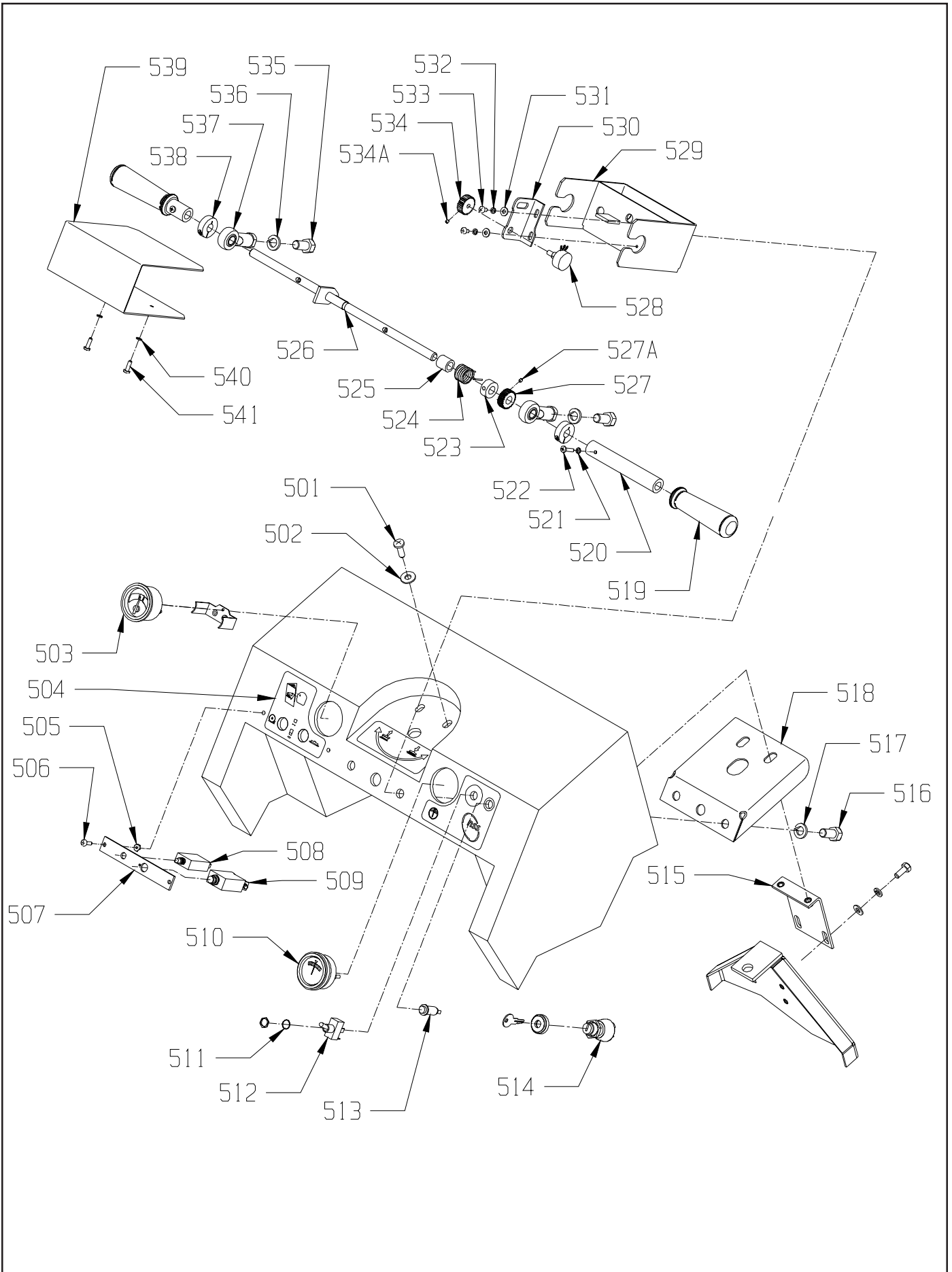
ITEM	PART NO.	DESCRIPTION	QTY.
401	4490521	LOAD ADJUST KNOB (INCLUDES SET SCREW)	1
402	9122450	17/32 I.D. X 1 1/16 O.D. X .074/.121 THICK SAE FLAT WASHER (1/2) - PACK OF 5	2
403	9122705	1/2 I.D. X 3/4 O.D. X .01 THICK 1 WAVE SPRING WASHER (1/2) - PACK OF 2	1
404	6490611	ADJUSTMENT ROD	1
405	6490621	ADJUSTMENT ROD COLLAR	2
406	9122680	1/2-13 HEX JAM NUT - PACK OF 5	1
407	9122180	13/32 I.D. X 13/16 O.D. X .051/.080 THICK WROUGHT WASHER (3/8) - PACK OF 10	1
408	4490561	INSULATED STANDOFF	1
409	9120970	1/4 EXTERNAL STAR LOCK WASHER - PACK OF 10	1
410	9121250	1/4-20 X 3/4 HEX BOLT - PACK OF 10	1
411	7692421	TERMINAL BOOT	1
412	4491011	SOLENOID, 36 VOLT	1
413	9120930	9/32 I.D. X 5/8 O.D. X .051/.080 THICK SAE FLAT WASHER (1/4) - PACK OF 10	2
414	9120880	1/4 SPLIT LOCK WASHER - PACK OF 10	2
415	9121170	1/4-20 X 1/2 HEX BOLT - PACK OF 10	2
416	2791281	BUSHING SPACER	2
417	9121287	1/4-20 X 2 1/2 HEX HEAD BOLT - STEEL - PACK OF 2	1
418	2791281	BUSHING SPACER	2
419	9120930	9/32 I.D. X 5/8 O.D. X .051/.080 THICK SAE FLAT WASHER (1/4) - PACK OF 10	2
420	9120900	1/4-20 HEX NUT WITH NY-LOK INSERT - PACK OF 10	2
421	6490601	ADJUSTMENT BRACKET	1
422	4495326	SWITCH BRACKET	1
423	9120370	7/32 I.D. X 1/2 O.D. X .032/.065 THICK SAE FLAT WASHER (#10) - PACK OF 10	2
424	9120320	10 SPLIT LOCK WASHER - PACK OF 10	2
425	9120460	10-24 X 1 1/4 ROUND HEAD PHILLIPS MACHINE SCREW - PACK OF 10	2
426	4491071	SNAP SWITCH	1
427	9120130	6 EXTERNAL STAR LOCK WASHER - PACK OF 10	2
428	9120090	6-32 X 7/8 PAN HEAD PHILLIPS MACHINE SCREW - PACK OF 10	2
429	4490601	KNOB, RAISE / LOWER ROD	1
430	6490101	LATCH HANDLE	1
431	6490091	LATCH ASSEMBLY	1
432	4490631	COMPRESSION SPRING	1
433	9122450	17/32 I.D. X 1 1/16 O.D. X .074/.121 THICK SAE FLAT WASHER (1/2) - PACK OF 5	1
434	9121145	1/4-20 X 2 HEX BOLT - PACK OF 5	4
435	9120880	1/4 SPLIT LOCK WASHER - PACK OF 10	4
436	4495351	SPACER GUIDE	4
437	6490701	CATCH ASSEMBLY	1
438	9120260	8-32 X 3/4 ROUND HEAD PHILLIPS MACHINE SCREW - PACK OF 10	2
439	2690021	SPEED CONTROL, CURTIS	1
440	6492471	SPEED CONTROL MOUNTING BRACKET	1
441	9121170	1/4-20 X 1/2 HEX BOLT - PACK OF 10	2
442	9120880	1/4 SPLIT LOCK WASHER - PACK OF 10	2
443	9120900	1/4-20 HEX NUT WITH NY-LOK INSERT - PACK OF 10	1
444	9120970	1/4 EXTERNAL STAR LOCK WASHER - PACK OF 10	2
445	9120920	1/4-20 HEX NUT - PACK OF 10	2
446	9120320	10 SPLIT LOCK WASHER - PACK OF 10	2
447	9120410	10-24 X 1/2 ROUND HEAD PHILLIPS MACHINE SCREW - PACK OF 10	2
448	4491031	SHUNT	1
449	9123005	1/8 X 5 1/2 WIRE TIE - PACK OF 5	4
450	6495511	CONTROL FRAME WELDMENT	1
451	9120970	1/4 EXTERNAL STAR LOCK WASHER - PACK OF 10	2
452	9121270	1/4-20 X 1 HEX BOLT - PACK OF 10	2
453	4492801	TOP SUPPORT BRACKET	1
454	9121390	11/32 I.D. X 11/16 O.D. X .051/.080 THICK SAE FLAT WASHER (5/16) - PACK OF 10	2
455	9121520	5/16 SPLIT LOCK WASHER - PACK OF 10	2
456	9121640	5/16-18 X 3/4 HEX BOLT - PACK OF 5	2
457	9121400	3/8 I.D. X 7/8 O.D. X .064/.104 THICK WROUGHT WASHER (5/16) - PACK OF 10	2
458	9121480	5/16-18 X 1 ROUND HEAD PHILLIPS MACHINE SCREW - PACK OF 2	2
459	9120880	1/4 SPLIT LOCK WASHER - PACK OF 10	1
460	9121170	1/4-20 X 1/2 HEX BOLT - PACK OF 10	1
461	4492791	BUSHING - PIVOT	1
462	9120310	1/8 X 3/4 COTTER PIN - PACK OF 10	2

CONTROL FRAME



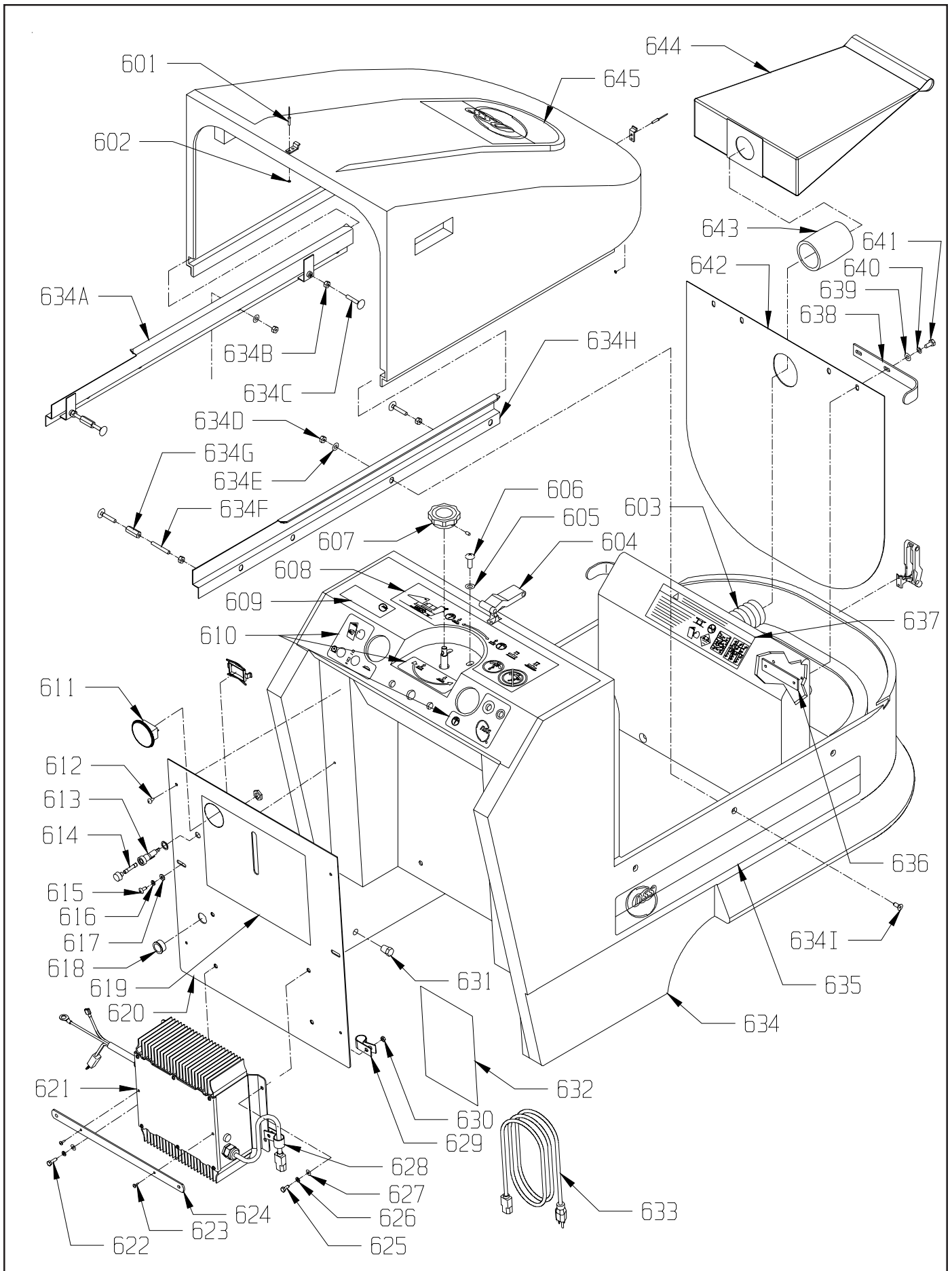
ITEM	PART NO.	DESCRIPTION	QTY.
501	9121480	5/16-18 X 1 ROUND HEAD PHILLIPS MACHINE SCREW - PACK OF 2	2
502	9121400	3/8 I.D. X 7/8 O.D. X .064/.104 THICK WROUGHT WASHER (5/16) - PK 10	2
503	4491051	BATTERY METER WITH HARDWARE	1
504	6495191	CONTROL PANEL DECAL KIT	1
505	9120350	10-24 HEX NUT WITH NY-LOK INSERT - PACK OF 10	2
506	9120530	10-24 X 7/8 TRUSS HEAD PHILLIPS MACHINE SCREW - PACK OF 10	2
507	6495411	BREAKER PLATE	1
508	2694121	CIRCUIT BREAKER, 25 AMP	1
509	6491261	CIRCUIT BREAKER - 90 AMP/ETA	1
510	4491041	RPM METER WITH HARDWARE	1
511	0691851	1/2 INTERNAL STAR LOCK WASHER	1
512	4491101	TOGGLE SWITCH, MOTOR	1
513	2691981	LIGHT - INDICATOR, GREEN, 36 VOLT, WITH CLIP	1
514	6495689	KEY SWITCH KIT (OPTIONAL)	1
	2795711	KEY SWITCH & KEY	1
	2796131	REPLACEMENT KEY	1
	6495571	WIRE ASSEMBLY - KEY SWITCH ADAPTOR (NOT SHOWN)	1
515	4492801	TOP SUPPORT BRACKET	1
516	9122530	1/2-13 X 1 HEX BOLT - PACK OF 1	2
517	9122420	1/2 SPLIT LOCK WASHER - PACK OF 5	2
518	6495041	HANDLE BOX MOUNTING PLATE	1
519	3392901	HANDLE GRIP	2
520	2691871	HANDLE GRIP BASE	2
521	9120200	#8 SPLIT LOCK WASHER - PACK OF 10	2
522	9120270	8-32 X 7/8 ROUND HEAD PHILLIPS MACHINE SCREW - PACK OF 10	2
523	6496171	COLLAR, 1/2" SET SCREW	1
524	6496091	TORSION SPRING .81 I.D. .067 WIRE	1
525	6496081	BEARING PLAIN SLEEVE .5 X .75 X .75 LONG	1
526	6496191	HANDLE BAR	1
527	2691931	DRIVE GEAR, HANDLE BAR	1
527A	9120170	8-32 X 3/16 SET SCREW - KNURL POINT - STEEL - PACK OF 5	2
528	2694131	POTENTIOMETER, CURTIS SPEED CONTROL	1
529	6496201	BRACKET, HANDLE MOUNT	1
530	6495051	POTENTIOMETER MOUNTING BRACKET	1
531	9120370	7/32 I.D. X 1/2 O.D. X .032/.065 THICK FLAT WASHER (#10) - PACK OF 10	2
532	9120320	#10 SPLIT LOCK WASHER - PACK OF 10	2
533	9120410	10-24 X 1/2 ROUND HEAD PHILLIPS MACHINE SCREW - PACK OF 10	2
534	2691941	DRIVEN GEAR, POTENTIOMETER	1
534A	9120170	8-32 X 3/16 SET SCREW - KNURL POINT - STEEL - PACK OF 5	2
535	9122700	1/2-20 X 1 HEX BOLT - PACK OF 2	2
536	9122420	1/2 SPLIT LOCK WASHER - PACK OF 5	2
537	2391941	BALL JOINT	2
538	3393891	COLLAR, SHAFT 1/2"	2
539	6495033	HANDLE BOX COVER	1
540	9120320	#10 SPLIT LOCK WASHER - PACK OF 10	2
541	9120410	10-24 X 1/2 ROUND HEAD PHILLIPS MACHINE SCREW - PACK OF 10	2

TWISTED GRIP CONTROL



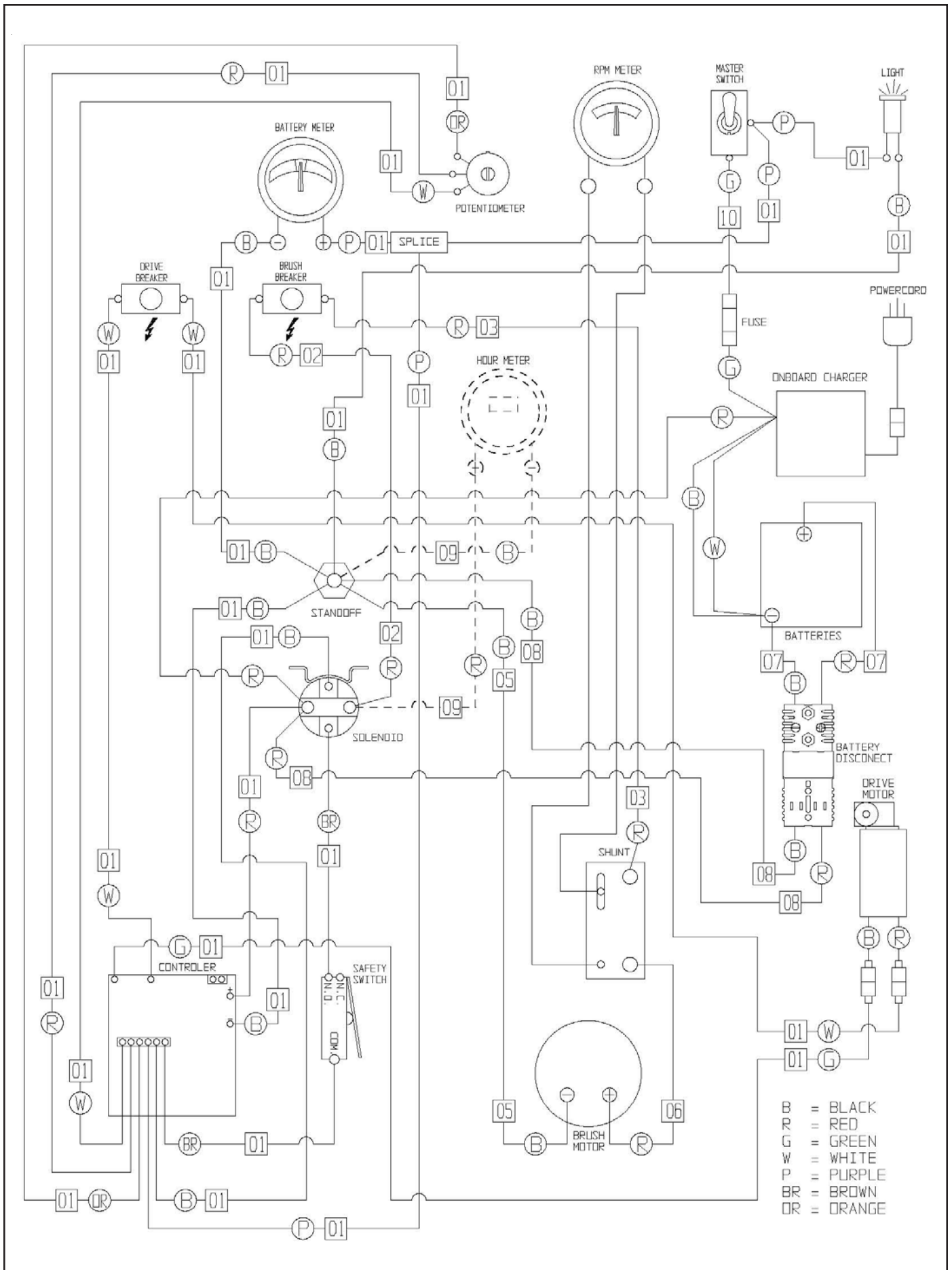
<u>ITEM</u>	<u>PART NO.</u>	<u>DESCRIPTION</u>	<u>QTY.</u>
601	9120317	5/32 X 5/8 DOME HEAD POP RIVET - STEEL - PACK OF 5	4
602	9120185	5/32 I.D. X 1/2 O.D. WASHER - STEEL - ZINC PLATE - PACK OF 6	4
603	3392561	VAC EXHAUST HOSE	1
604	6491171	SOFT DRAW LATCH WITH CONCEALED KEEPER	2
605	9121400	3/8 I.D. X 7/8 O.D. X .064/.104 THICK WROUGHT WASHER (5/16) - PK 10	2
606	9121480	5/16-18 X 1 ROUND HEAD PHILLIPS MACHINE SCREW - PACK OF 2	2
607	4490521	LOAD ADJUST KNOB (INCLUDES SET SCREW)	1
608	6495791	ENGLISH / SPANISH OPERATION DECAL	1
609	6495311	CHARGER 2716 DB PLUS NAME IDENTIFIER LOGO	1
610	6495191	CONTROL PANEL DECAL KIT	1
611	2397361	HOUR METER	1
612	9120790	10 X 5/8 PAN HEAD PHILLIPS SHEET METAL SCREW - PACK OF 10	4
613	4990321	FUSE HOLDER WITH NUT AND WASHER	1
614	6495741	3AG FAST-ACTING FUSE 4AMP	1
615	9121000	1/4-20 X 5/8 TRUSS HEAD PHILLIPS MACHINE SCREW - PACK OF 5	2
616	9120880	1/4 SPLIT LOCK WASHER - PACK OF 10	2
617	9120930	9/32 I.D. X 5/8 O.D. X .051/.080 THICK (1/4) SAE FLAT WASHER - PACK OF 10	2
618	4890451	BUSHING, SNAP, #SB87511 HEYCO	1
619	6495201	REAR PANEL DECAL	1
620	6495763	REAR PANEL	1
621	6495691	36 VOLT ONBOARD CHARGER 120/240 VOLT 21AMP	1
622	9121020	1/4-20 X 1 TRUSS HEAD PHILLIPS MACHINE SCREW - PACK OF 5	1
623	9120085	M3.5 X 19 PAN HEAD PHILLIPS MACHINE SCREW - PACK OF 1	2
624	2491283	CORD WRAP	1
625	9121000	1/4-20 X 5/8 TRUSS HEAD PHILLIPS MACHINE SCREW - PACK OF 5	3
626	9120880	1/4 SPLIT LOCK WASHER - PACK OF 10	4
627	9120930	9/32 I.D. X 5/8 O.D. X .051/.080 THICK FLAT WASHER (1/4) - PACK OF 10	4
628	3291111	CABLE CLAMP	1
629	4890851	CABLE CLAMP, #COV-090 KMC	1
630	9120910	1/4-20 HEX NUT WITH STAR LOCK WASHER - PACK OF 10	1
631	6490951	1/4 MPT PLUG	2
632	6495751	WIRING DECAL - CHARGER DB PLUS WITH ONBOARD CHARGER	1
633	6495701	120 VOLT ONBOARD CHARGER CORD	1
	6495711	240 VOLT ONBOARD CHARGER CORD - SHUKO	1
634	6495401	HOUSING WITH SLIDE RAILS - INCLUDES:	1
634A	6495441	SLIDE RAIL, LEFT	1
634B	9120920	1/4-20 HEX NUT - PACK OF 10	4
634C	9121039	1/4-20 X 1 1/2 ELEVATOR BOLT - ZINC PLATED - PACK OF 1	4
634D	9120900	1/4-20 HEX NUT WITH NY-LOK INSERT - PACK OF 10	6
634E	9120930	9/32 I.D. X 5/8 O.D. X .051/.080 THICK (1/4) SAE FLAT WASHER - PK 10	6
634F	9121362	1/4-20 X 2 1/2 FULL THREADED STUD - PACK OF 1	2
634G	9120923	1/4-20 X 7/8 LONG HEX COUPLING NUT - PACK OF 1	2
634H	6495431	SLIDE RAIL, RIGHT	1
634I	9121037	1/4-20 X 5/8 FLAT HEAD PHILLIPS MACHINE SCREW - PACK OF 10	6
635	6493061	SIDE DECAL 3.5 X 26	2
636	6491211	TAPPING PLATE	2
637	6495851	BATTERY WARNING DECAL OBC	1
638	6491191	HOOD STOP / SUPPORT BRACKET	2
639	9120930	9/32 I.D. X 5/8 O.D. X .051/.080 THICK (1/4) SAE FLAT WASHER - PACK OF 10	4
640	9120880	1/4 SPLIT LOCK WASHER - PACK OF 10	4
641	9121270	1/4-20 X 1 HEX BOLT - PACK OF 10	4
642	6495421	RUBBER MOTOR COVER	1
643	4495531	END CUFF - 2"	1
644	6592801	CLOTH FILTER BAG	1
	5796101	PAPER BAG - 5 PACK (OPTIONAL)	1
645	6492871	HOOD DECAL	1

HOUSING



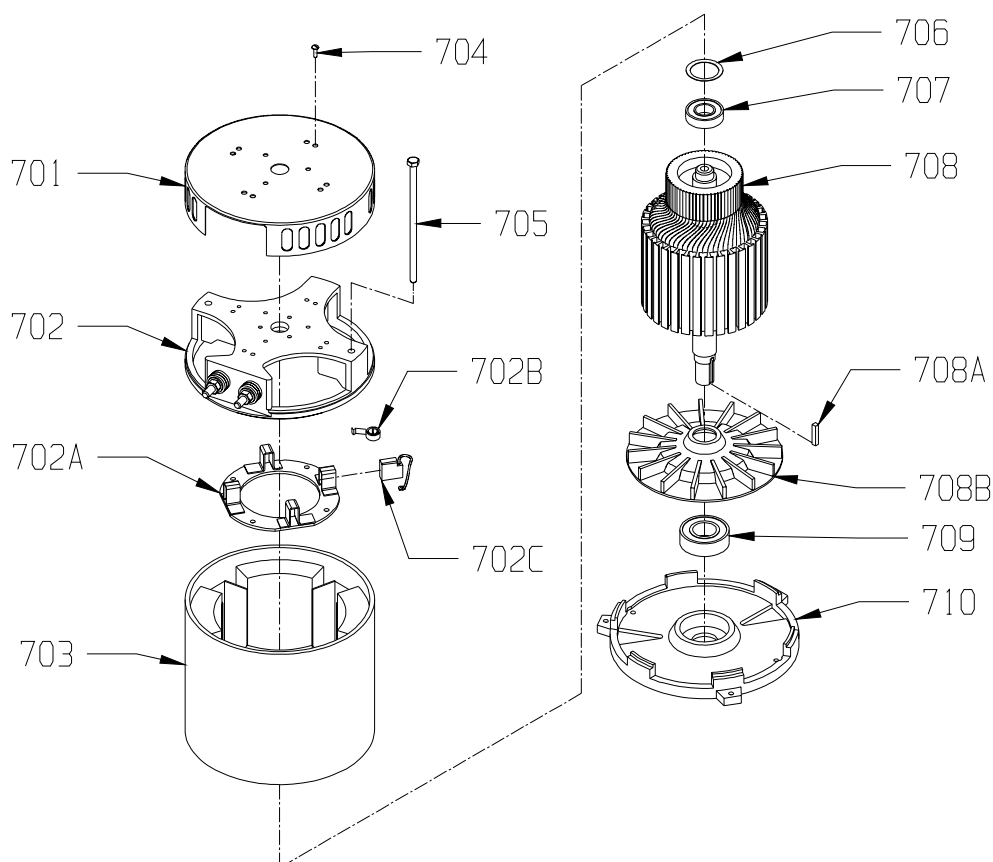
<u>ITEM</u>	<u>PART NO.</u>	<u>DESCRIPTION</u>	<u>QTY.</u>
01	6495321	WIRE HARNESS	1
02	6495331	WIRE ASSEMBLY, SOLENOID TO BRUSH BREAKER	1
03	6495341	WIRE ASSEMBLY, BRUSH BREAKER TO SHUNT	1
05	6495131	WIRE ASSEMBLY, MOTOR TO STANDOFF	1
06	6495121	WIRE ASSEMBLY, SHUNT TO MOTOR	1
07	7691661	WIRE ASSEMBLY, ANDERSON - POS./NEG. BATTERY 36 VOLT	1
08	6491831	WIRE ASSEMBLY, ANDERSON - SOLENOID / STANDOFF 36 VOLT	1
09	6495621	HOUR METER LEADS	1
10	6495721	WIRE ASSEMBLY, FUSE TO MASTER SWITCH	1
97	2391981	BATTERY JUMPER 3/8" RING #97	5
—	2397361	HOUR METER	1
—	2690021	SPEED CONTROL, CURTIS	1
—	2691501	BATTERY, WET, 6 VOLT, 325 AMP/HR	6
—	2691981	INDICATOR LIGHT - GREEN LENS, 36 VOLT WITH CLIP	1
—	2694121	CIRCUIT BREAKER, 25 AMP (DRIVE)	1
—	2694131	POTENTIOMETER, CURTIS CONTROL	1
—	2795711	KEY SWITCH & KEY - OPTIONAL	1
—	4490561	INSULATED STANDOFF	1
—	4491011	SOLENOID, 36 VOLT	1
—	4491031	SHUNT	1
—	4491041	RPM METER WITH HARDWARE	1
—	4491051	BATTERY METER WITH HARDWARE	1
—	4491071	SNAP SWITCH (SAFETY)	1
—	4491101	TOGGLE SWITCH, MOTOR	1
—	4990321	FUSE HOLDER WITH NUT AND WASHER	1
—	6491261	CIRCUIT BREAKER - 90 AMP/ETA (BRUSH)	1
—	6491841	175 AMP ANDERSON WITH CONTACTS GRAY 36 VOLT	2
—	6495291	DRIVE MOTOR 36 VOLT	1
—	6495571	WIRE ASSEMBLY - KEY SWITCH ADAPTOR	1
—	6495641	MOTOR 36 VOLT - 1500 RPM, 3 HP	1
—	6495691	36V ONBOARD CHARGER 120/240V 21AMP	1
—	6495701	120V ONBOARD CHARGER CORD	1
—	6495711	240V ONBOARD CHARGER CORD - SHUKO	1
—	6495741	3AG FAST-ACTING FUSE 4AMP	1
—	9123005	1/8 X 5 1/2 WIRE TIE - PACK OF 5	5

WIRING DIAGRAM



- B = BLACK
- R = RED
- G = GREEN
- W = WHITE
- P = PURPLE
- BR = BROWN
- OR = ORANGE

MOTOR



ITEM	PART NO.	DESCRIPTION	QTY.
	6495641	MOTOR 36 VOLT, 1500 RPM, 3 HP - INCLUDES:	1
701	5991731	COMMUTATOR BRACKET COVER	1
	6493531	COMMUTATOR BRACKET ASSEMBLY - INCLUDES:	1
702	6493541	COMMUTATOR BRACKET	1
702A	6493601	BRUSH BOARD ASSEMBLY - INCLUDES:	1
702B	6493591	SPRING	2
702C	7692041	CARBON BRUSH	2
703	6493631	STATOR FRAME ASSEMBLY - WITH CLIPS AND MAGNETS - 3 HP	1
704	9120600	10-24 X 1/2 PAN HEAD PHILLIPS THREAD CUTTING SCREW - PK 10	4
705	6493621	1/4-20 X 9 HEX HEAD THRU BOLT - 3 HP	2
706	5991741	HELICAL WASHER - LARGE	1
707	5991551	BEARING - TOP END	1
708	6493641	ARMATURE - 1500 RPM - 3 HP - INCLUDES:	1
708A	9120827	3/16 SQUARE X 1 LONG KEY - STEEL - PACK OF 2	1
708B	6493571	ALUMINUM FAN	1
709	5991541	BEARING - BOTTOM END	1
710	6493551	BEARING END BRACKET	1



NSS ® Enterprises, Inc.

3115 Frenchmens Road, Toledo, Ohio 43607

PHONE (419) 531-2121 FAX (419) 531-3761

NSS® Enterprises, Inc. European Distribution Centre
Unit II, Pinfold Trading Estate * 55 Nottingham Road
STAPLEFORD, NOTTINGHAM NG9 8AD ENGLAND U.K.

PHONE: (44) 0115 939 1568 * FAX: (44) 0115 949 0615