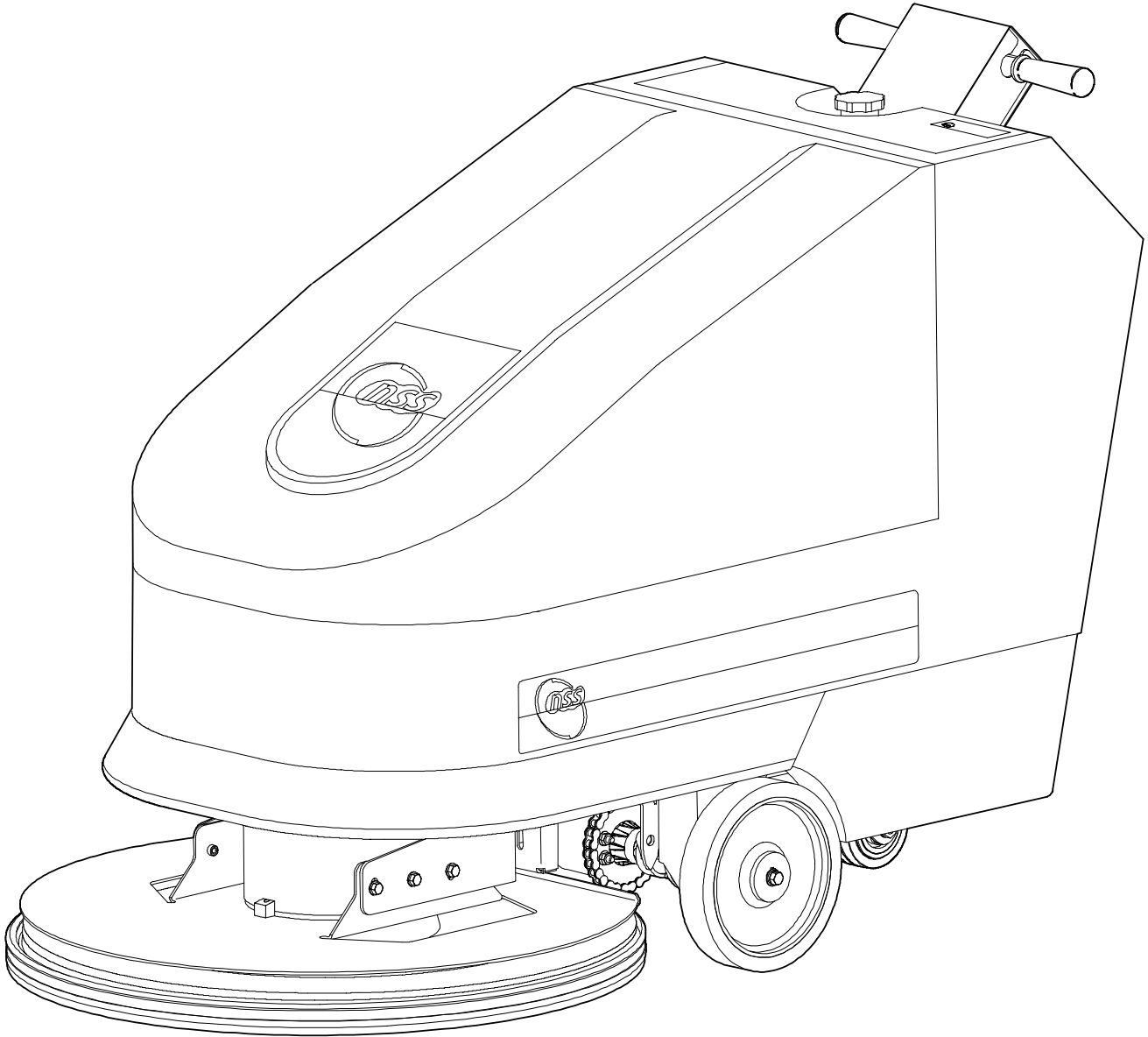


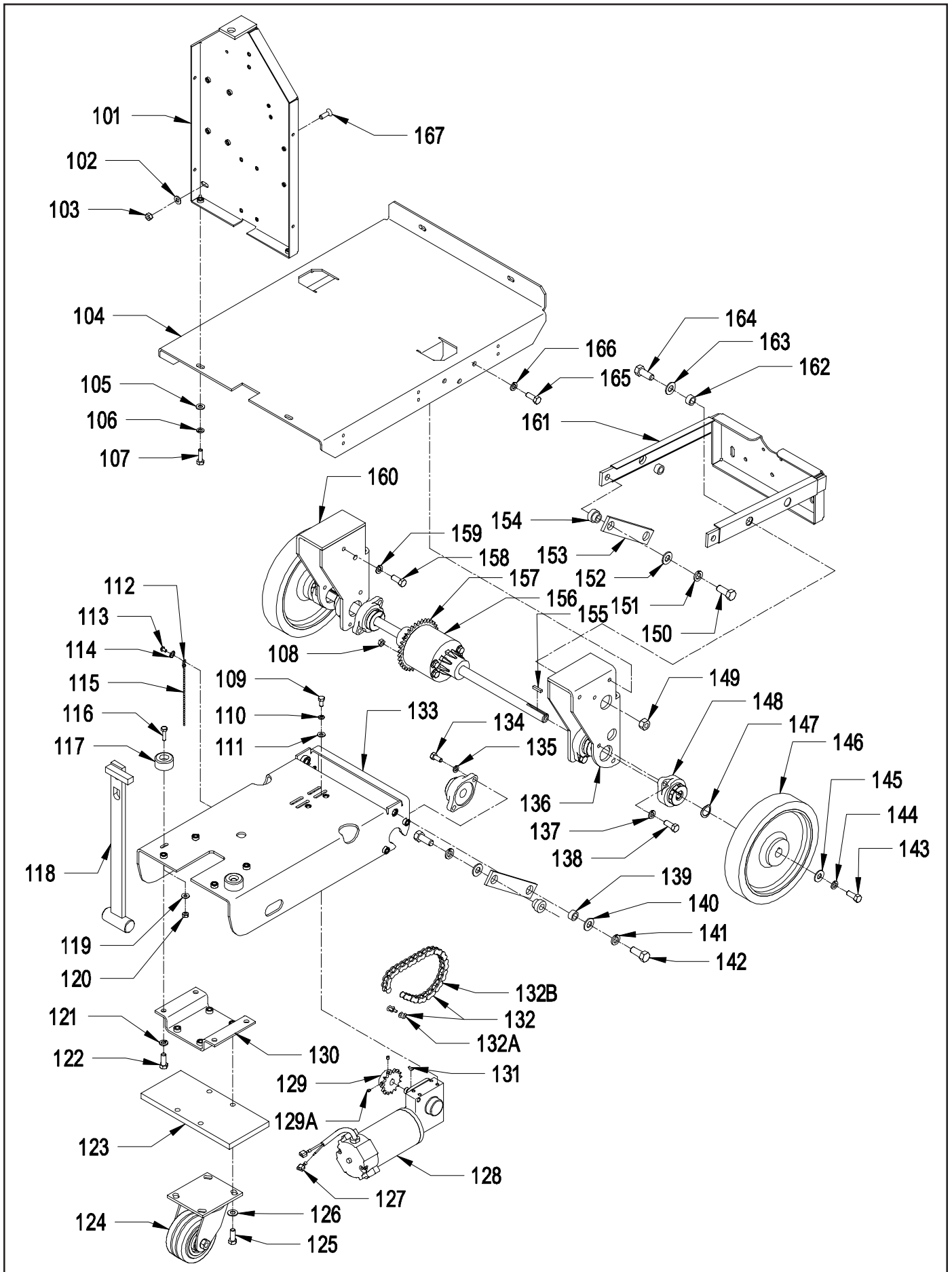
PARTS LIST
CHARGER 2716 DB PLUS



BASE

| ITEM | PART NO. | DESCRIPTION | QTY. |
|------|----------|--|------|
| 101 | 6495511 | CONTROL FRAME WELDMENT | 1 |
| 102 | 9121390 | 11/32 I.D. X 11/16 O.D. X .051/.080 THICK SAE FLAT WASHER (5/16) | 2 |
| 103 | 9121450 | 5/16-18 HEX NUT WITH NY-LOK INSERT | 2 |
| 104 | 6495361 | BASE PLATE | 1 |
| 105 | 9121390 | 11/32 I.D. X 11/16 O.D. X .051/.080 THICK SAE FLAT WASHER (5/16) | 2 |
| 106 | 9121520 | 5/16 SPLIT LOCK WASHER | 2 |
| 107 | 9121640 | 5/16-18 X 3/4 HEX BOLT | 2 |
| 108 | 9121450 | 5/16-18 HEX NUT WITH NY-LOK INSERT | 4 |
| 109 | 9121210 | 1/4-20 X 5/8 HEX BOLT | 4 |
| 110 | 9120880 | 1/4 SPLIT LOCK WASHER | 4 |
| 111 | 9120930 | 9/32 I.D. X 5/8 O.D. X .051/.080 THICK SAE FLAT WASHER (1/4) | 4 |
| 112 | 6491871 | END COUPLING ROUND BEAD CHAIN | 1 |
| 113 | 9120380 | 10-24 X 3/8 ROUND HEAD PHILLIPS MACHINE SCREW | 1 |
| 114 | 9120330 | 10 EXTERNAL STAR LOCK WASHER | 1 |
| 115 | 6491860 | ROUND BEAD CHAIN (CUT LENGTH 6") | .5' |
| 116 | 9121270 | 1/4-20 X 1 HEX BOLT | 2 |
| 117 | 4894461 | RUBBER STOP | 2 |
| 118 | 6490701 | CATCH ASSEMBLY | 1 |
| 119 | 9120930 | 9/32 I.D. X 5/8 O.D. X .051/.080 THICK SAE FLAT WASHER (1/4) | 2 |
| 120 | 9120900 | 1/4-20 HEX NUT WITH NY-LOK INSERT | 2 |
| 121 | 9122100 | 3/8 SPLIT LOCK WASHER | 4 |
| 122 | 9122220 | 3/8-16 X 3/4 HEX BOLT | 4 |
| 123 | 6495461 | CASTER BLOCK | 1 |
| 124 | 6492061 | RED 4 INCH CASTER - INCLUDES: | 1 |
| | 4490391 | CASTER WHEEL WITH BEARING | 1 |
| 125 | 9122075 | 3/8-16 X 1 1/2 HEX BOLT | 4 |
| 126 | 9122100 | 3/8 SPLIT LOCK WASHER | 4 |
| 127 | 5490171 | FULLY INSULATED MALE TERMINAL 14-16 GAGE | 2 |
| 128 | 6495291 | DRIVE MOTOR 36 VOLT | 1 |
| 129 | 6495531 | SPROCKET 40BS12H - INCLUDES: | 1 |
| 129A | 9120637 | 10-24 X 1/4 SET SCREW - CUP POINT | 2 |
| 130 | 6495141 | CASTER MOUNT | 1 |
| 131 | 9120013 | 1/8 SQUARE X 1/2 LONG WOODRUFF KEY - STEEL | 1 |
| 132 | 6495569 | #40 ROLLER CHAIN 33 LINKS + MASTER - INCLUDES: | 1 |
| 132A | 2795211 | LINK - MASTER #40 CHAIN | 1 |
| 132B | 6495541 | #40 ROLLER CHAIN 33 LINKS NO MASTER | 1 |
| 133 | 6495151 | FRAME | 1 |
| 134 | 9122260 | 3/8-16 X 1 HEX BOLT | 4 |
| 135 | 9122100 | 3/8 SPLIT LOCK WASHER | 4 |
| 136 | 6495371 | RIGHT OUTER BEARING / PIVOT MOUNT | 1 |
| 137 | 9122100 | 3/8 SPLIT LOCK WASHER | 8 |
| 138 | 9122260 | 3/8-16 X 1 HEX BOLT | 8 |
| 139 | 4492791 | BUSHING, PIVOT | 2 |
| 140 | 9122450 | 17/32 I.D. X 1 1/16 O.D. X .074/.121 THICK SAE FLAT WASHER (1/2) | 2 |
| 141 | 9122420 | 1/2 SPLIT LOCK WASHER | 2 |
| 142 | 9122540 | 1/2-13 X 1 1/4 HEX BOLT | 2 |
| 143 | 9121640 | 5/16-18 X 3/4 HEX BOLT | 2 |
| 144 | 9121520 | 5/16 SPLIT LOCK WASHER | 2 |
| 145 | 9121985 | 13/32 I.D. X 1 O.D. X .12 THICK FLAT WASHER (11 GAGE) | 2 |
| 146 | 6495391 | DRIVE WHEEL 9 X 1 5/8 | 2 |
| 147 | 9123110 | 13/16 I.D. X 1 1/8 O.D. X .13 THICK WAVE SPRING WASHER (3/4) | 2 |
| 148 | 6495061 | PILLOW BLOCK BEARING WITH GRIP-IT BEARING RING | 6 |
| 149 | 9122495 | 1/2-13 HEX NUT WITH NY-LOK INSERT - THIN | 2 |
| 150 | 9122540 | 1/2-13 X 1 1/4 HEX BOLT | 2 |
| 151 | 9122420 | 1/2 SPLIT LOCK WASHER | 2 |
| 152 | 9122450 | 17/32 I.D. X 1 1/16 O.D. X .074/.121 THICK SAE FLAT WASHER (1/2) | 2 |
| 153 | 6490691 | LIFT ARM | 2 |
| 154 | 4495141 | LIFT ARM SPACER | 2 |
| 155 | 9120825 | 3/16 SQUARE X 7/8 LONG KEY - STEEL | 2 |
| 156 | 6495111 | DIFFERENTIAL - LONG | 1 |
| 157 | 6495521 | SPROCKET 40A26 | 1 |
| 158 | 9122220 | 3/8-16 X 3/4 HEX BOLT | 2 |
| 159 | 9122100 | 3/8 SPLIT LOCK WASHER | 2 |
| 160 | 6495381 | LEFT OUTER BEARING / PIVOT MOUNT | 1 |
| 161 | 6495501 | PIVOT WELDMENT | 1 |
| 162 | 4492791 | BUSHING, PIVOT | 2 |
| 163 | 9122450 | 17/32 I.D. X 1 1/16 O.D. X .074/.121 THICK SAE FLAT WASHER (1/2) | 2 |
| 164 | 9122540 | 1/2-13 X 1 1/4 HEX BOLT | 2 |
| 165 | 9122220 | 3/8-16 X 3/4 HEX BOLT | 6 |
| 166 | 9122100 | 3/8 SPLIT LOCK WASHER | 6 |
| 167 | 9121470 | 5/16-18 X 1 FLAT HEAD PHILLIPS MACHINE SCREW | 4 |

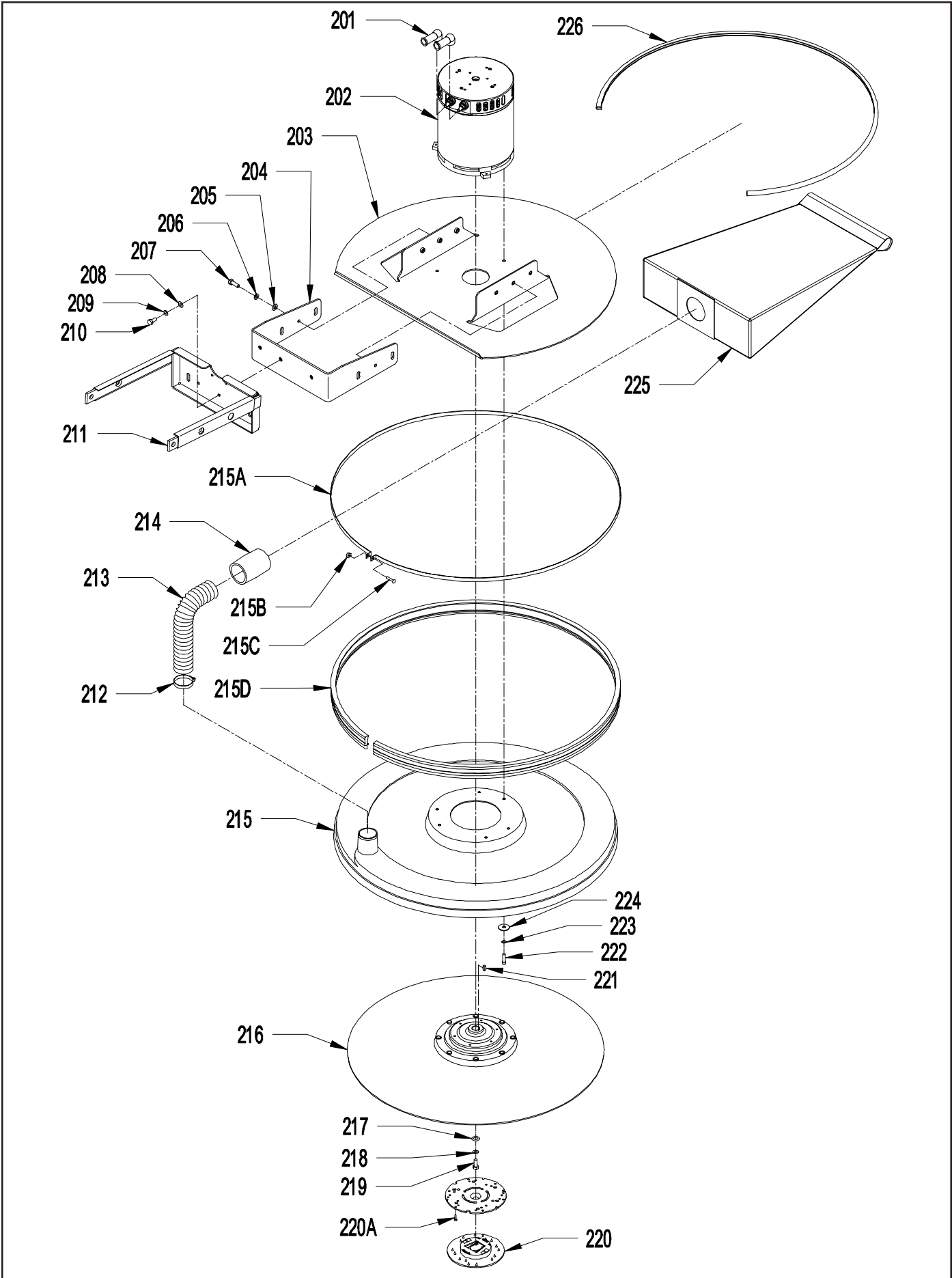
BASE



SHIELD AND PAD DRIVER

| ITEM | PART NO. | DESCRIPTION | QTY. |
|-------------|-----------------|--|-------------|
| 201 | 6492051 | STUD TERMINAL BOOT - RUBBER | 2 |
| 202 | 6495641 | MOTOR 36 VOLT - 1500 RPM, 3 HP | 1 |
| 203 | 6495093 | STEEL SKIRT / MOTOR MOUNT | 1 |
| 204 | 6495351 | SKIRT MOUNT FORK | 1 |
| 205 | 9121390 | 11/32 I.D. X 11/16 O.D. X .051/.080 THICK SAE FLAT WASHER (5/16) | 6 |
| 206 | 9121520 | 5/16 SPLIT LOCK WASHER | 6 |
| 207 | 9121640 | 5/16-18 X 3/4 HEX BOLT | 6 |
| 208 | 9121390 | 11/32 I.D. X 11/16 O.D. X .051/.080 THICK SAE FLAT WASHER (5/16) | 3 |
| 209 | 9121520 | 5/16 SPLIT LOCK WASHER | 3 |
| 210 | 9121640 | 5/16-18 X 3/4 HEX BOLT | 3 |
| 211 | 6495501 | PIVOT WELDMENT | 1 |
| 212 | 4495441 | HOSE CLAMP, 1 9/16" TO 2 1/2" DIAMETER | 1 |
| 213 | 3392561 | VAC EXHAUST HOSE | 1 |
| 214 | 4495531 | END CUFF - 2" | 1 |
| 215 | 6495459 | CW-FLEXIWALL SHIELD ASSEMBLY - INCLUDES: | 1 |
| 215A | 6592552 | BUMPER STRAP | 1 |
| 215B | 9120350 | 10-24 HEX NUT WITH NY-LOK INSERT | 1 |
| 215C | 9120450 | 10-24 X 1 ROUND HEAD PHILLIPS MACHINE SCREW | 1 |
| 215D | 6592531 | BUMPER / BRUSH | 1 |
| 216 | 6492558 | DRIVER, PAD - 27" ASSEMBLED & BALANCED | 1 |
| 217 | 9121985 | 13/32 I.D. X 1 O.D. X .12 THICK FLAT WASHER (11 GAGE) | 1 |
| 218 | 9121520 | 5/16 SPLIT LOCK WASHER | 1 |
| 219 | 9121490 | 5/16-24 X 7/8 HEX BOLT | 1 |
| 220 | 5990731 | SPRING CLIP PAD HOLDER SET - INCLUDES: | 1 |
| 220A | 9120810 | 10 X 1/2 PAN HEAD PHILLIPS SHEET METAL SCREW | 3 |
| 221 | 9120815 | 3/16 SQUARE X 1/2 LONG KEY - STEEL | 1 |
| 222 | 9120980 | 1/4-20 X 1 SOCKET HEAD CAP SCREW | 3 |
| 223 | 9120880 | 1/4 SPLIT LOCK WASHER | 3 |
| 224 | 9120950 | 1/4 X 1 1/4 FENDER WASHER | 3 |
| 225 | 6592801 | VAC TRAC COLLECTION BAG | 1 |
| | 5796101 | PAPER BAG - 5 PACK (OPTIONAL) | 1 |
| 226 | 9997590 | METAL CORE QUICKEDGE TRIM (CUT TO 66") | 5.5' |

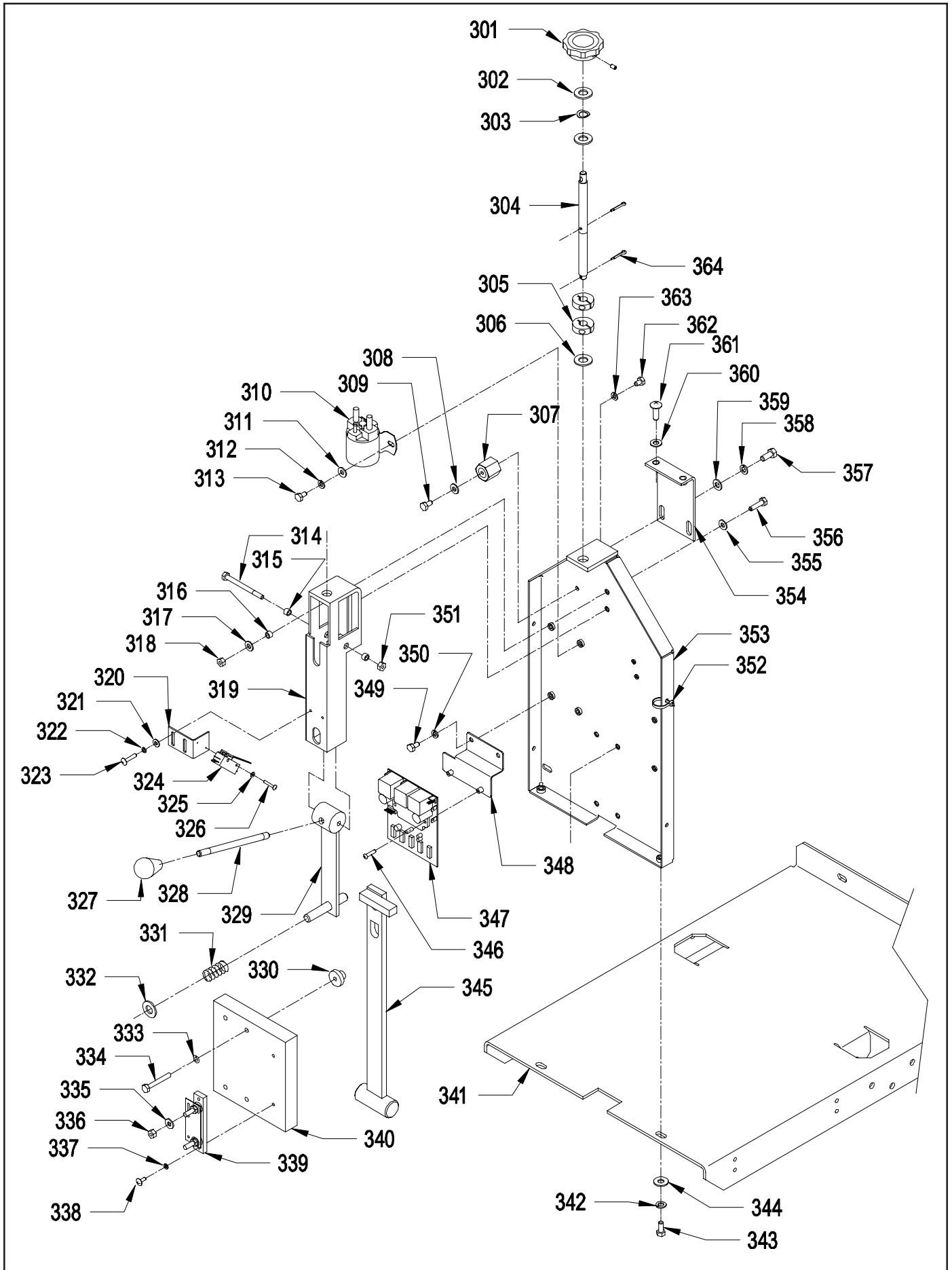
SHIELD AND PAD DRIVER



CONTROL FRAME

| ITEM | PART NO. | DESCRIPTION | QTY. |
|-------------|-----------------|--|-------------|
| 301 | 4490521 | LOAD ADJUST KNOB (INCLUDES SET SCREW) | 1 |
| 302 | 9122450 | 17/32 I.D. X 1 1/16 O.D. X .074/.121 THICK SAE FLAT WASHER (1/2) | 2 |
| 303 | 9122705 | 1/2 I.D. X 3/4 O.D. X .01 THICK 1 WAVE SPRING WASHER (1/2) | 1 |
| 304 | 6490611 | ADJUSTMENT ROD | 1 |
| 305 | 6490621 | ADJUSTMENT ROD COLLAR | 2 |
| 306 | 9122180 | 13/32 I.D. X 13/16 O.D. X .051/.080 THICK WROUGHT WASHER (3/8) | 1 |
| 307 | 4490561 | INSULATED STANDOFF | 1 |
| 308 | 9120970 | 1/4 EXTERNAL STAR LOCK WASHER | 1 |
| 309 | 9121250 | 1/4-20 X 3/4 HEX BOLT | 1 |
| 310 | 4491011 | SOLENOID, 36 VOLT | 1 |
| 311 | 9120930 | 9/32 I.D. X 5/8 O.D. X .051/.080 THICK SAE FLAT WASHER (1/4) | 2 |
| 312 | 9120880 | 1/4 SPLIT LOCK WASHER | 2 |
| 313 | 9121170 | 1/4-20 X 1/2 HEX BOLT | 2 |
| 314 | 9121287 | 1/4-20 X 2 1/2 HEX HEAD BOLT - STEEL | 1 |
| 315 | 2791281 | BUSHING SPACER | 2 |
| 316 | 2791281 | BUSHING SPACER | 2 |
| 317 | 9120930 | 9/32 I.D. X 5/8 O.D. X .051/.080 THICK SAE FLAT WASHER (1/4) | 2 |
| 318 | 9120900 | 1/4-20 HEX NUT WITH NY-LOK INSERT | 2 |
| 319 | 6490601 | ADJUSTMENT BRACKET WELDMENT | 1 |
| 320 | 4495326 | SWITCH BRACKET | 1 |
| 321 | 9120370 | 7/32 I.D. X 1/2 O.D. X .032/.065 THICK SAE FLAT WASHER (#10) | 2 |
| 322 | 9120320 | 10 SPLIT LOCK WASHER | 2 |
| 323 | 9120460 | 10-24 X 1 1/4 ROUND HEAD PHILLIPS MACHINE SCREW | 2 |
| 324 | 4491071 | SNAP SWITCH | 1 |
| 325 | 9120130 | 6 EXTERNAL STAR LOCK WASHER | 2 |
| 326 | 9120090 | 6-32 X 7/8 PAN HEAD PHILLIPS MACHINE SCREW | 2 |
| 327 | 4490601 | KNOB, RAISE / LOWER ROD | 1 |
| 328 | 6490101 | LATCH HANDLE | 1 |
| 329 | 6490093 | LATCH ASSEMBLY | 1 |
| 330 | 4495351 | SPACER GUIDE | 4 |
| 331 | 4490631 | COMPRESSION SPRING | 1 |
| 332 | 9122450 | 17/32 I.D. X 1 1/16 O.D. X .074/.121 THICK SAE FLAT WASHER (1/2) | 1 |
| 333 | 9120880 | 1/4 SPLIT LOCK WASHER | 4 |
| 334 | 9121145 | 1/4-20 X 2 HEX BOLT | 4 |
| 335 | 9120970 | 1/4 EXTERNAL STAR LOCK WASHER | 2 |
| 336 | 9120920 | 1/4-20 HEX NUT | 2 |
| 337 | 9120320 | 10 SPLIT LOCK WASHER | 2 |
| 338 | 9120410 | 10-24 X 1/2 ROUND HEAD PHILLIPS MACHINE SCREW | 2 |
| 339 | 4491031 | SHUNT | 1 |
| 340 | 6492271 | COUNTERPOISE (NOT USED WITH ONBOARD CHARGER) | 1 |
| 341 | 6495361 | BASE PLATE | 1 |
| 342 | 9121520 | 5/16 SPLIT LOCK WASHER | 2 |
| 343 | 9121640 | 5/16-18 X 3/4 HEX BOLT | 2 |
| 344 | 9121390 | 11/32 I.D. X 11/16 O.D. X .051/.080 THICK SAE FLAT WASHER (5/16) | 2 |
| 345 | 6490701 | CATCH ASSEMBLY | 1 |
| 346 | 9120260 | 8-32 X 3/4 ROUND HEAD PHILLIPS MACHINE SCREW | 2 |
| 347 | 2690021 | SPEED CONTROL, CURTIS | 1 |
| 348 | 6492473 | SPEED CONTROL MOUNTING BRACKET | 1 |
| 349 | 9121170 | 1/4-20 X 1/2 HEX BOLT | 2 |
| 350 | 9120880 | 1/4 SPLIT LOCK WASHER | 2 |
| 351 | 9120900 | 1/4-20 HEX NUT WITH NY-LOK INSERT | 1 |
| 352 | 9123005 | 1/8 X 5 1/2 WIRE TIE | 4 |
| 353 | 6495511 | CONTROL FRAME WELDMENT | 1 |
| 354 | 4492803 | TOP SUPPORT BRACKET | 1 |
| 355 | 9120970 | 1/4 EXTERNAL STAR LOCK WASHER | 2 |
| 356 | 9121270 | 1/4-20 X 1 HEX BOLT | 2 |
| 357 | 9121640 | 5/16-18 X 3/4 HEX BOLT | 2 |
| 358 | 9121520 | 5/16 SPLIT LOCK WASHER | 2 |
| 359 | 9121390 | 11/32 I.D. X 11/16 O.D. X .051/.080 THICK SAE FLAT WASHER (5/16) | 2 |
| 360 | 9121400 | 3/8 I.D. X 7/8 O.D. X .064/.104 THICK WROUGHT WASHER (5/16) | 2 |
| 361 | 9121480 | 5/16-18 X 1 ROUND HEAD PHILLIPS MACHINE SCREW | 2 |
| 362 | 9121170 | 1/4-20 X 1/2 HEX BOLT | 1 |
| 363 | 9120880 | 1/4 SPLIT LOCK WASHER | 1 |
| 364 | 9120310 | 1/8 X 3/4 COTTER PIN | 2 |

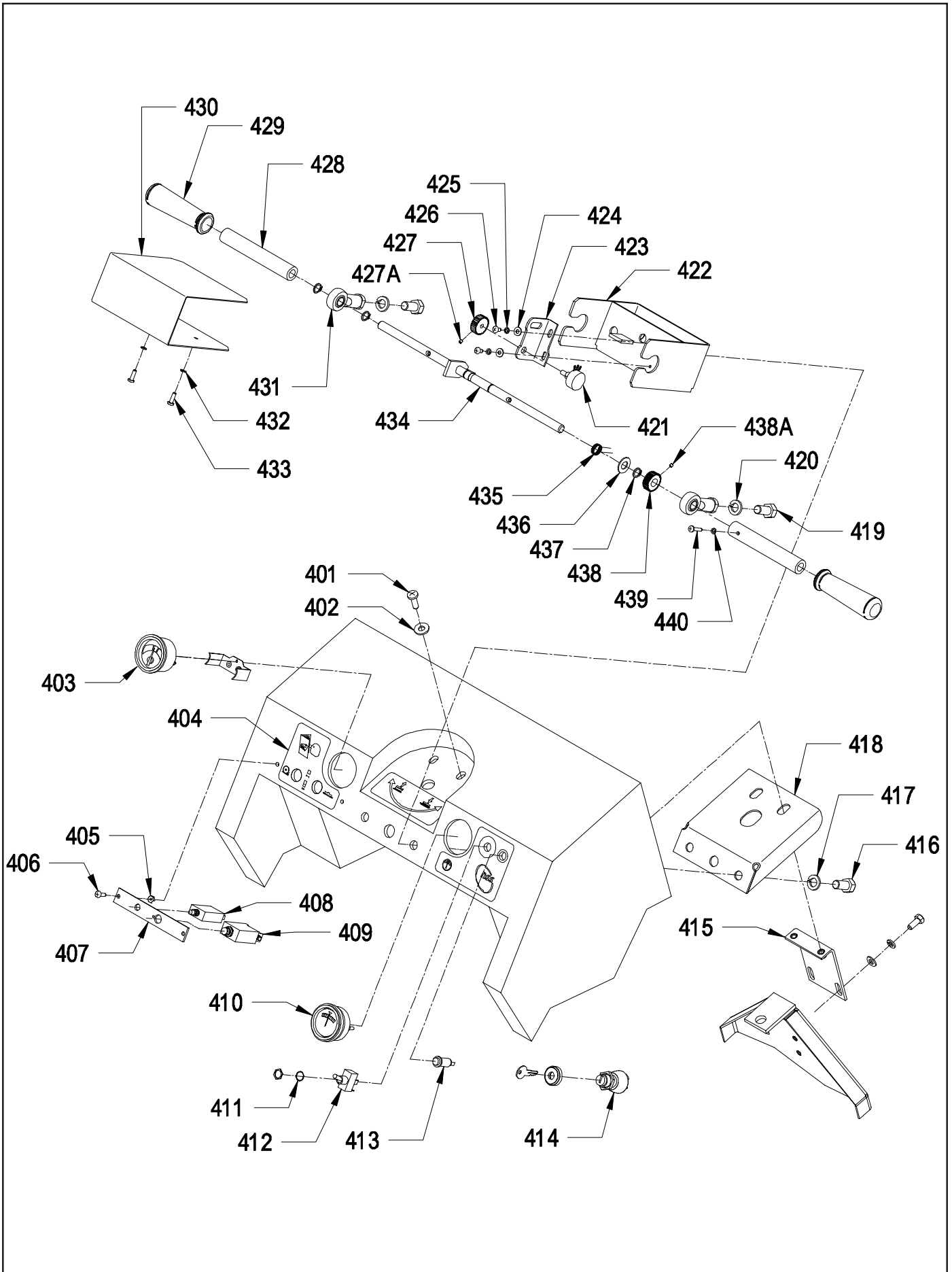
CONTROL FRAME



TWISTED GRIP CONTROL

| ITEM | PART NO. | DESCRIPTION | QTY. |
|-------------|-----------------|--|-------------|
| 401 | 9121480 | 5/16-18 X 1 ROUND HEAD PHILLIPS MACHINE SCREW | 2 |
| 402 | 9121400 | 3/8 I.D. X 7/8 O.D. X .064/.104 THICK WROUGHT WASHER (5/16) | 2 |
| 403 | 4491051 | BATTERY METER WITH HARDWARE | 1 |
| 404 | 6495191 | CONTROL PANEL DECAL KIT | 1 |
| 405 | 9120350 | 10-24 HEX NUT WITH NY-LOK INSERT | 2 |
| 406 | 9120530 | 10-24 X 7/8 TRUSS HEAD PHILLIPS MACHINE SCREW | 2 |
| 407 | 6495411 | BREAKER PLATE | 1 |
| 408 | 2392201 | CIRCUIT BREAKER, 115 VOLT 10 AMP | 1 |
| 409 | 6491261 | CIRCUIT BREAKER - 90 AMP/ETA | 1 |
| 410 | 4491041 | RPM METER WITH HARDWARE | 1 |
| 411 | 0691851 | 1/2 INTERNAL STAR LOCK WASHER | 1 |
| 412 | 4491101 | TOGGLE SWITCH, MOTOR | 1 |
| 413 | 2691981 | LIGHT - INDICATOR, GREEN, 36 VOLT, WITH CLIP | 1 |
| 414 | 6495689 | KEY SWITCH KIT (OPTIONAL) | 1 |
| | 2795711 | KEY SWITCH & KEY | 1 |
| | 2796131 | REPLACEMENT KEY | 1 |
| 415 | 4492803 | TOP SUPPORT BRACKET | 1 |
| 416 | 9122530 | 1/2-13 X 1 HEX BOLT | 2 |
| 417 | 9122420 | 1/2 SPLIT LOCK WASHER | 2 |
| 418 | 6495041 | HANDLE BOX MOUNTING PLATE | 1 |
| 419 | 9122700 | 1/2-20 X 1 HEX BOLT | 2 |
| 420 | 9122420 | 1/2 SPLIT LOCK WASHER | 2 |
| 421 | 2694131 | POTENTIOMETER, CURTIS SPEED CONTROL | 1 |
| 422 | 6495021 | HANDLE BOX - TWISTED GRIP | 1 |
| 423 | 6495051 | POTENTIOMETER MOUNTING BRACKET | 1 |
| 424 | 9120370 | 7/32 I.D. X 1/2 O.D. X .032/.065 THICK FLAT WASHER (#10) | 2 |
| 425 | 9120320 | 10 SPLIT LOCK WASHER | 2 |
| 426 | 9120410 | 10-24 X 1/2 ROUND HEAD PHILLIPS MACHINE SCREW | 2 |
| 427 | 2691941 | DRIVEN GEAR, POTENTIOMETER | 1 |
| 427A | 9120170 | 8-32 X 3/16 SET SCREW - KNURL POINT - STEEL | 2 |
| 428 | 2691871 | HANDLE GRIP BASE | 2 |
| 429 | 3392901 | HANDLE GRIP | 2 |
| 430 | 6495031 | HANDLE BOX COVER | 1 |
| 431 | 2391941 | BALL JOINT | 2 |
| 432 | 9120320 | 10 SPLIT LOCK WASHER | 2 |
| 433 | 9120410 | 10-24 X 1/2 ROUND HEAD PHILLIPS MACHINE SCREW | 2 |
| 434 | 6495011 | HANDLE BAR | 1 |
| 435 | 3392661 | TORSION SPRING | 1 |
| 436 | 9122450 | 17/32 I.D. X 1 1/16 O.D. X .074/.121 THICK FLAT WASHER (1/2) | 1 |
| 437 | 5091701 | RETAINING RING | 3 |
| 438 | 2691931 | DRIVE GEAR, HANDLE BAR | 1 |
| 438A | 9120170 | 8-32 X 3/16 SET SCREW - KNURL POINT - STEEL | 2 |
| 439 | 9120270 | 8-32 X 7/8 ROUND HEAD PHILLIPS MACHINE SCREW | 2 |
| 440 | 9120370 | 7/32 I.D. X 1/2 O.D. X .032/.065 THICK FLAT WASHER (#10) | 2 |

TWISTED GRIP CONTROL

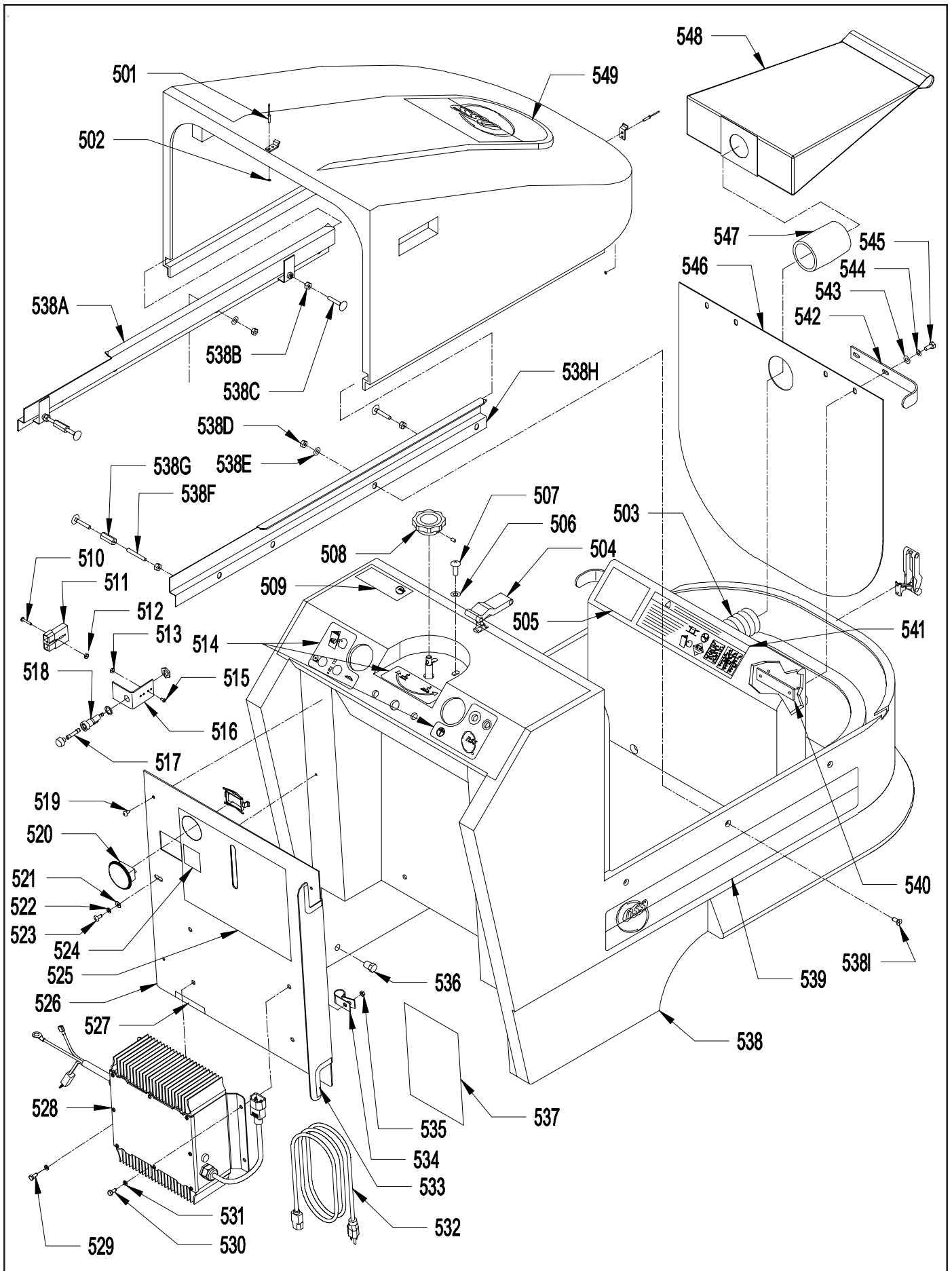


HOUSING

| <u>ITEM</u> | <u>PART NO.</u> | <u>DESCRIPTION</u> | <u>QTY.</u> |
|-------------|-----------------|--|-------------|
| 501 | 9120317 | 5/32 X 5/8 DOME HEAD POP RIVET - STEEL | 4 |
| 502 | 9120185 | 5/32 I.D. X 1/2 O.D. WASHER - STEEL - ZINC PLATE | 4 |
| 503 | 3392561 | VAC EXHAUST HOSE | 1 |
| 504 | 6491171 | SOFT DRAW LATCH WITH CONCEALED KEEPER | 2 |
| 505 | 3393261 | ONBOARD CHARGER BATTERY WARNING DECAL * | 1 |
| 506 | 9121400 | 3/8 I.D. X 7/8 O.D. X .064/.104 THICK WROUGHT WASHER (5/16) | 2 |
| 507 | 9121480 | 5/16-18 X 1 ROUND HEAD PHILLIPS MACHINE SCREW | 2 |
| 508 | 4490521 | LOAD ADJUST KNOB (INCLUDES SET SCREW) | 1 |
| 509 | 6495311 | CHARGER 2716 DB PLUS NAME IDENTIFIER LOGO | 1 |
| 510 | 9120090 | 6-32 X 7/8 PAN HEAD PHILLIPS MACHINE SCREW | 2 |
| 511 | 4491901 | CHARGER PLUG ONLY - GRAY 36 VOLT | 1 |
| | 6490821 | WIRE ASSEMBLY - ANDERSON / STANDOFF - NOT SHOWN | 1 |
| 512 | 9120020 | 6-32 HEX NUT WITH STAR LOCK WASHER | 2 |
| 513 | 9120020 | 6-32 HEX NUT WITH STAR LOCK WASHER * | 2 |
| 514 | 6495191 | CONTROL PANEL DECAL KIT | 1 |
| 515 | 9120070 | 6-32 X 3/8 ROUND HEAD PHILLIPS MACHINE SCREW * | 2 |
| 516 | 6495731 | FUSE HOLDER BRACKET * | 1 |
| 517 | 6495741 | 3AG FAST-ACTING FUSE 4AMP * | 1 |
| 518 | 4990321 | FUSE HOLDER WITH NUT AND WASHER * | 1 |
| 519 | 9120790 | 10 X 5/8 PAN HEAD PHILLIPS SHEET METAL SCREW | 4 |
| 520 | 2397361 | HOUR METER | 1 |
| 521 | 9120930 | 9/32 I.D. X 5/8 O.D. X .051/.080 THICK (1/4) SAE FLAT WASHER | 2 |
| 522 | 9120880 | 1/4 SPLIT LOCK WASHER | 2 |
| 523 | 9121000 | 1/4-20 X 5/8 TRUSS HEAD PHILLIPS MACHINE SCREW | 2 |
| 524 | 3393481 | FUSE DECAL * | 1 |
| 525 | 6495201 | REAR PANEL DECAL | 1 |
| 526 | 6495761 | REAR PANEL WITH CORD WRAP | 1 |
| 527 | 9997600 | EDGE TRIM (CUT TO 3") * | .4 |
| 528 | 6495691 | 36 VOLT ONBOARD CHARGER 120/240 VOLT 21AMP * | 1 |
| 529 | 9121020 | 1/4-20 X 1 TRUSS HEAD PHILLIPS MACHINE SCREW * | 1 |
| 530 | 9121000 | 1/4-20 X 5/8 TRUSS HEAD PHILLIPS MACHINE SCREW * | 3 |
| 531 | 9120880 | 1/4 SPLIT LOCK WASHER * | 4 |
| 532 | 6495701 | 120 VOLT ONBOARD CHARGER CORD * | 1 |
| 533 | 9997600 | EDGE TRIM (CUT TO 4" X 2) * | .6 |
| 534 | 4890851 | CABLE CLAMP, #COV-090 KMC | 1 |
| 535 | 9120910 | 1/4-20 HEX NUT WITH STAR LOCK WASHER | 1 |
| 536 | 6490951 | 1/4 MPT PLUG | 2 |
| 537 | 6495211 | WIRING DIAGRAM DECAL | 1 |
| | 6495751 | WIRING DECAL - CHARGER DB PLUS WITH ONBOARD CHARGER * | 1 |
| 538 | 6495401 | HOUSING WITH SLIDE RAILS - INCLUDES: | 1 |
| 538A | 6495441 | SLIDE RAIL, LEFT | 1 |
| 538B | 9120920 | 1/4-20 HEX NUT | 4 |
| 538C | 9121039 | 1/4-20 X 1 1/2 ELEVATOR BOLT - ZINC PLATED | 4 |
| 538D | 9120900 | 1/4-20 HEX NUT WITH NY-LOK INSERT | 6 |
| 538E | 9120930 | 9/32 I.D. X 5/8 O.D. X .051/.080 THICK (1/4) SAE FLAT WASHER | 6 |
| 538F | 9121362 | 1/4-20 X 2 1/2 FULL THREADED STUD | 2 |
| 538G | 9120923 | 1/4-20 X 7/8 LONG HEX COUPLING NUT | 2 |
| 538H | 6495431 | SLIDE RAIL, RIGHT | 1 |
| 538I | 9121037 | 1/4-20 X 5/8 FLAT HEAD PHILLIPS MACHINE SCREW | 6 |
| 539 | 6493061 | SIDE DECAL 3.5 X 26 | 2 |
| 540 | 6491211 | TAPPING PLATE | 2 |
| 541 | 6495301 | BATTERY WARNING LABEL | 1 |
| 542 | 6491193 | HOOD STOP / SUPPORT BRACKET | 2 |
| 543 | 9120930 | 9/32 I.D. X 5/8 O.D. X .051/.080 THICK (1/4) SAE FLAT WASHER | 4 |
| 544 | 9120880 | 1/4 SPLIT LOCK WASHER | 4 |
| 545 | 9121270 | 1/4-20 X 1 HEX BOLT | 4 |
| 546 | 6495421 | RUBBER MOTOR COVER | 1 |
| 547 | 4495531 | END CUFF - 2" | 1 |
| 548 | 6592801 | CLOTH FILTER BAG | 1 |
| | 5796101 | PAPER BAG - 5 PACK (OPTIONAL) | 1 |
| 549 | 6492871 | HOOD DECAL | 1 |

* = MACHINES WITH ONBOARD CHARGER ONLY

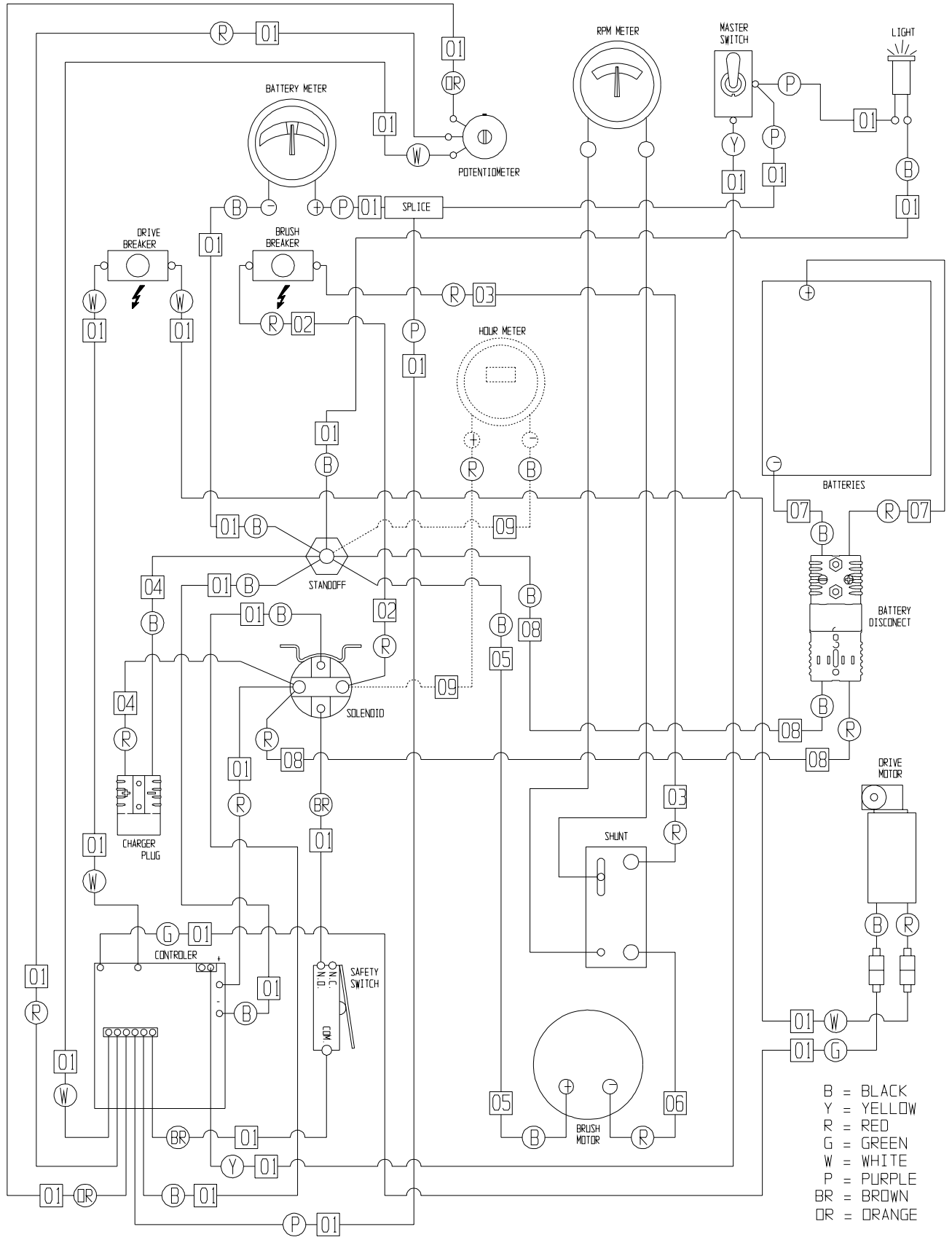
HOUSING



WIRING DIAGRAM

| <u>ITEM</u> | <u>PART NO.</u> | <u>DESCRIPTION</u> | <u>QTY.</u> |
|--------------------|------------------------|---|--------------------|
| 01 | 6495321 | WIRE HARNESS | 1 |
| 02 | 6495331 | WIRE ASSEMBLY, SOLENOID TO BRUSH BREAKER | 1 |
| 03 | 6495341 | WIRE ASSEMBLY, BRUSH BREAKER TO SHUNT | 1 |
| 04 | 6490821 | WIRE ASSEMBLY, ANDERSON TO SOLENOID / STANDOFF | 1 |
| 05 | 6495131 | WIRE ASSEMBLY, MOTOR TO STANDOFF | 1 |
| 06 | 6495121 | WIRE ASSEMBLY, SHUNT TO MOTOR | 1 |
| 07 | 7691661 | WIRE ASSEMBLY, ANDERSON - POS./NEG. BATTERY 36 VOLT | 1 |
| 08 | 6491831 | WIRE ASSEMBLY, ANDERSON - SOLENOID / STANDOFF 36 VOLT | 1 |
| 09 | 6495621 | HOUR METER LEADS | 1 |
| 97 | 2391981 | BATTERY JUMPER 3/8" RING #97 | 5 |
| — | 2392201 | CIRCUIT BREAKER, 115 VOLT 10 AMP (DRIVE) | 1 |
| — | 2397361 | HOUR METER | 1 |
| — | 2690021 | SPEED CONTROL, CURTIS | 1 |
| — | 2691501 | BATTERY, WET, 6 VOLT, 325 AMP/HR | 6 |
| — | 2691981 | INDICATOR LIGHT - GREEN LENS, 36 VOLT WITH CLIP | 1 |
| — | 2694131 | POTENTIOMETER, CURTIS CONTROL | 1 |
| — | 2698041 | BATTERY CHARGER 120 VOLT AC 36 VOLT DC 25 AMP | 1 |
| — | 2795711 | KEY SWITCH & KEY - OPTIONAL | 1 |
| — | 4490561 | INSULATED STANDOFF | 1 |
| — | 4491011 | SOLENOID, 36 VOLT | 1 |
| — | 4491031 | SHUNT | 1 |
| — | 4491041 | RPM METER WITH HARDWARE | 1 |
| — | 4491051 | BATTERY METER WITH HARDWARE | 1 |
| — | 4491071 | SNAP SWITCH (SAFETY) | 1 |
| — | 4491101 | TOGGLE SWITCH, MOTOR | 1 |
| — | 4491901 | CHARGER PLUG ONLY - GRAY 36 VOLT | 1 |
| — | 6491261 | CIRCUIT BREAKER - 90 AMP/ETA (BRUSH) | 1 |
| — | 6491841 | 175 AMP ANDERSON WITH CONTACTS GRAY 36 VOLT | 2 |
| — | 6495291 | DRIVE MOTOR 36 VOLT | 1 |
| — | 6495571 | WIRE ASSEMBLY - KEY SWITCH ADAPTOR | 1 |
| — | 6495641 | MOTOR 36 VOLT - 1500 RPM, 3 HP | 1 |
| — | 9123005 | 1/8 X 5 1/2 WIRE TIE | 5 |

WIRING DIAGRAM

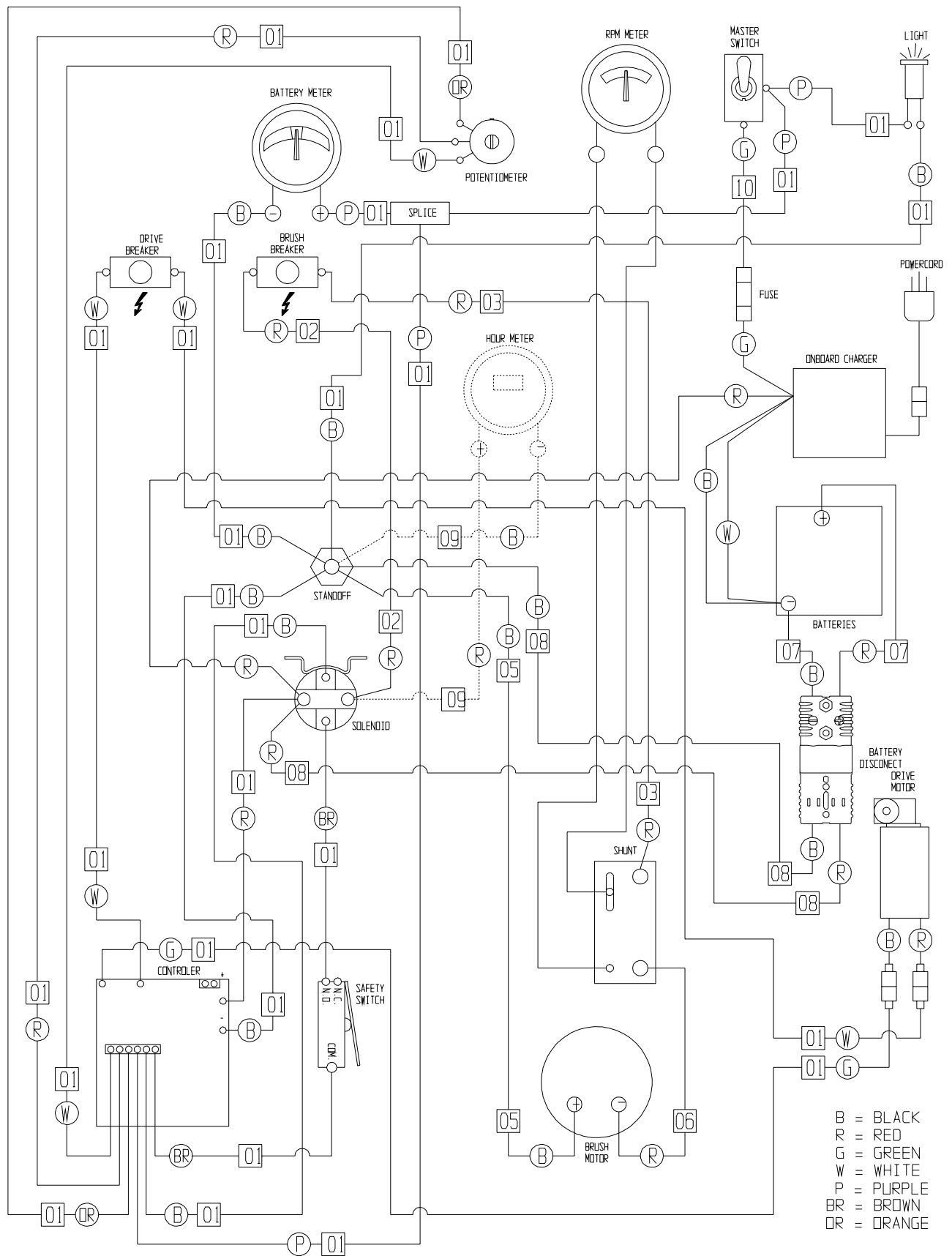


- B = BLACK
- Y = YELLOW
- R = RED
- G = GREEN
- W = WHITE
- P = PURPLE
- BR = BROWN
- OR = ORANGE

WIRING DIAGRAM WITH ONBOARD CHARGER

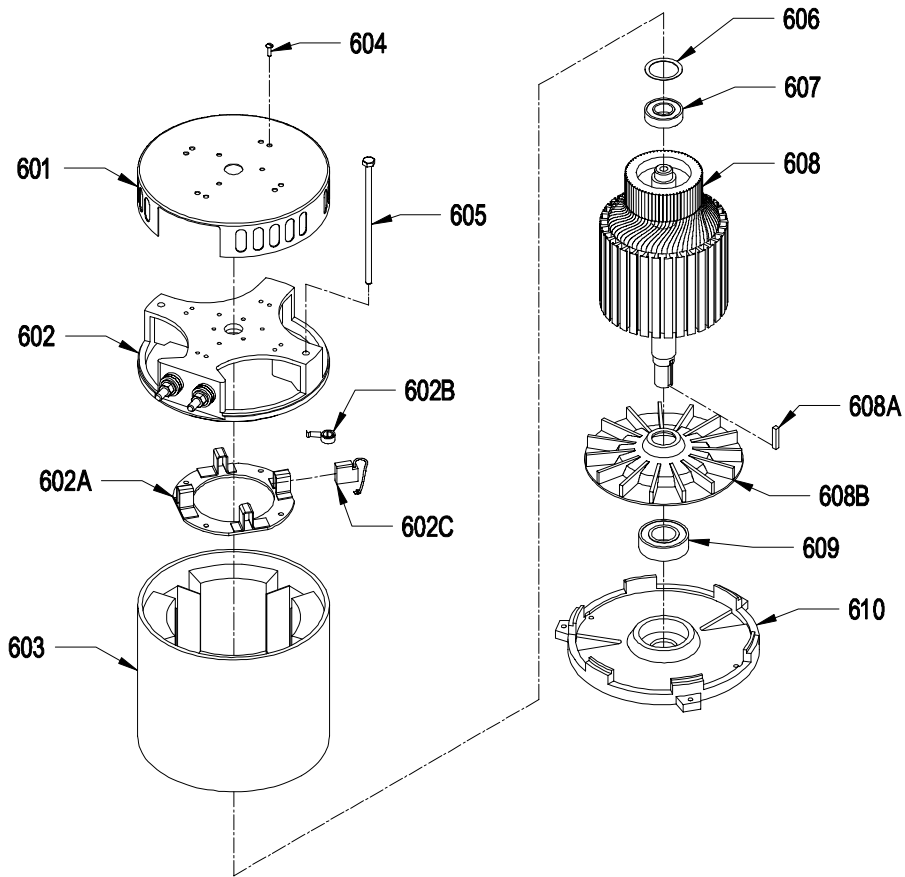
| ITEM | PART NO. | DESCRIPTION | QTY. |
|-------------|-----------------|---|-------------|
| 01 | 6495321 | WIRE HARNESS | 1 |
| 02 | 6495331 | WIRE ASSEMBLY, SOLENOID TO BRUSH BREAKER | 1 |
| 03 | 6495341 | WIRE ASSEMBLY, BRUSH BREAKER TO SHUNT | 1 |
| 05 | 6495131 | WIRE ASSEMBLY, MOTOR TO STANDOFF | 1 |
| 06 | 6495121 | WIRE ASSEMBLY, SHUNT TO MOTOR | 1 |
| 07 | 7691661 | WIRE ASSEMBLY, ANDERSON - POS./NEG. BATTERY 36 VOLT | 1 |
| 08 | 6491831 | WIRE ASSEMBLY, ANDERSON - SOLENOID / STANDOFF 36 VOLT | 1 |
| 09 | 6495621 | HOUR METER LEADS | 1 |
| 10 | 6495721 | WIRE ASSEMBLY, FUSE TO MASTER SWITCH | 1 |
| 97 | 2391981 | BATTERY JUMPER 3/8" RING #97 | 5 |
| — | 2392201 | CIRCUIT BREAKER, 115 VOLT 10 AMP (DRIVE) | 1 |
| — | 2397361 | HOUR METER | 1 |
| — | 2690021 | SPEED CONTROL, CURTIS | 1 |
| — | 2691501 | BATTERY, WET, 6 VOLT, 325 AMP/HR | 6 |
| — | 2691981 | INDICATOR LIGHT - GREEN LENS, 36 VOLT WITH CLIP | 1 |
| — | 2694131 | POTENTIOMETER, CURTIS CONTROL | 1 |
| — | 2795711 | KEY SWITCH & KEY - OPTIONAL | 1 |
| — | 4490561 | INSULATED STANDOFF | 1 |
| — | 4491011 | SOLENOID, 36 VOLT | 1 |
| — | 4491031 | SHUNT | 1 |
| — | 4491041 | RPM METER WITH HARDWARE | 1 |
| — | 4491051 | BATTERY METER WITH HARDWARE | 1 |
| — | 4491071 | SNAP SWITCH (SAFETY) | 1 |
| — | 4491101 | TOGGLE SWITCH, MOTOR | 1 |
| — | 6491261 | CIRCUIT BREAKER - 90 AMP/ETA (BRUSH) | 1 |
| — | 6491841 | 175 AMP ANDERSON WITH CONTACTS GRAY 36 VOLT | 2 |
| — | 6495291 | DRIVE MOTOR 36 VOLT | 1 |
| — | 6495571 | WIRE ASSEMBLY - KEY SWITCH ADAPTOR | 1 |
| — | 6495641 | MOTOR 36 VOLT - 1500 RPM, 3 HP | 1 |
| — | 6495691 | 36V ONBOARD CHARGER 120/240V 21AMP | 1 |
| — | 6495701 | 120V ONBOARD CHARGER CORD | 1 |
| — | 6495741 | 3AG FAST-ACTING FUSE 4AMP | 1 |
| — | 9123005 | 1/8 X 5 1/2 WIRE TIE | 5 |

WIRING DIAGRAM WITH ONBOARD CHARGER



- B = BLACK
- R = RED
- G = GREEN
- W = WHITE
- P = PURPLE
- BR = BROWN
- OR = ORANGE

MOTOR



| ITEM | PART NO. | DESCRIPTION | QTY. |
|------|----------|---|------|
| | 6495641 | MOTOR 36 VOLT, 1500 RPM, 3 HP - INCLUDES: | 1 |
| 601 | 5991731 | COMMUTATOR BRACKET COVER | 1 |
| | 6493531 | COMMUTATOR BRACKET ASSEMBLY - INCLUDES: | 1 |
| 602 | 6493541 | COMMUTATOR BRACKET | 1 |
| 602A | 6493601 | BRUSH BOARD ASSEMBLY - INCLUDES: | 1 |
| 602B | 6493591 | SPRING | 2 |
| 602C | 7692041 | CARBON BRUSH | 2 |
| 603 | 6493631 | STATOR FRAME ASSEMBLY - WITH CLIPS AND MAGNETS - 3 HP | 1 |
| 604 | 9120600 | 10-24 X 1/2 PAN HEAD PHILLIPS THREAD CUTTING SCREW | 4 |
| 605 | 6493621 | 1/4-20 X 9 HEX HEAD THRU BOLT - 3 HP | 2 |
| 606 | 5991741 | HELICAL WASHER - LARGE | 1 |
| 607 | 5991551 | BEARING - TOP END | 1 |
| 608 | 6493641 | ARMATURE - 1500 RPM - 3 HP - INCLUDES: | 1 |
| 608A | 9120827 | 3/16 SQUARE X 1 LONG KEY - STEEL | 1 |
| 608B | 6493571 | ALUMINUM FAN | 1 |
| 609 | 5991541 | BEARING - BOTTOM END | 1 |
| 610 | 6493551 | BEARING END BRACKET | 1 |



NSS ® Enterprises, Inc.

3115 Frenchmens Road, Toledo, Ohio 43607

PHONE (419) 531-2121 FAX (419) 531-3761

NSS ® Enterprises, Inc. European Distribution Centre
Unit II, Pinfold Trading Estate * 55 Nottingham Road
STAPLEFORD, NOTTINGHAM NG9 8AD ENGLAND U.K.

PHONE: (44) 0115 939 1568 * FAX: (44) 0115 949 0615