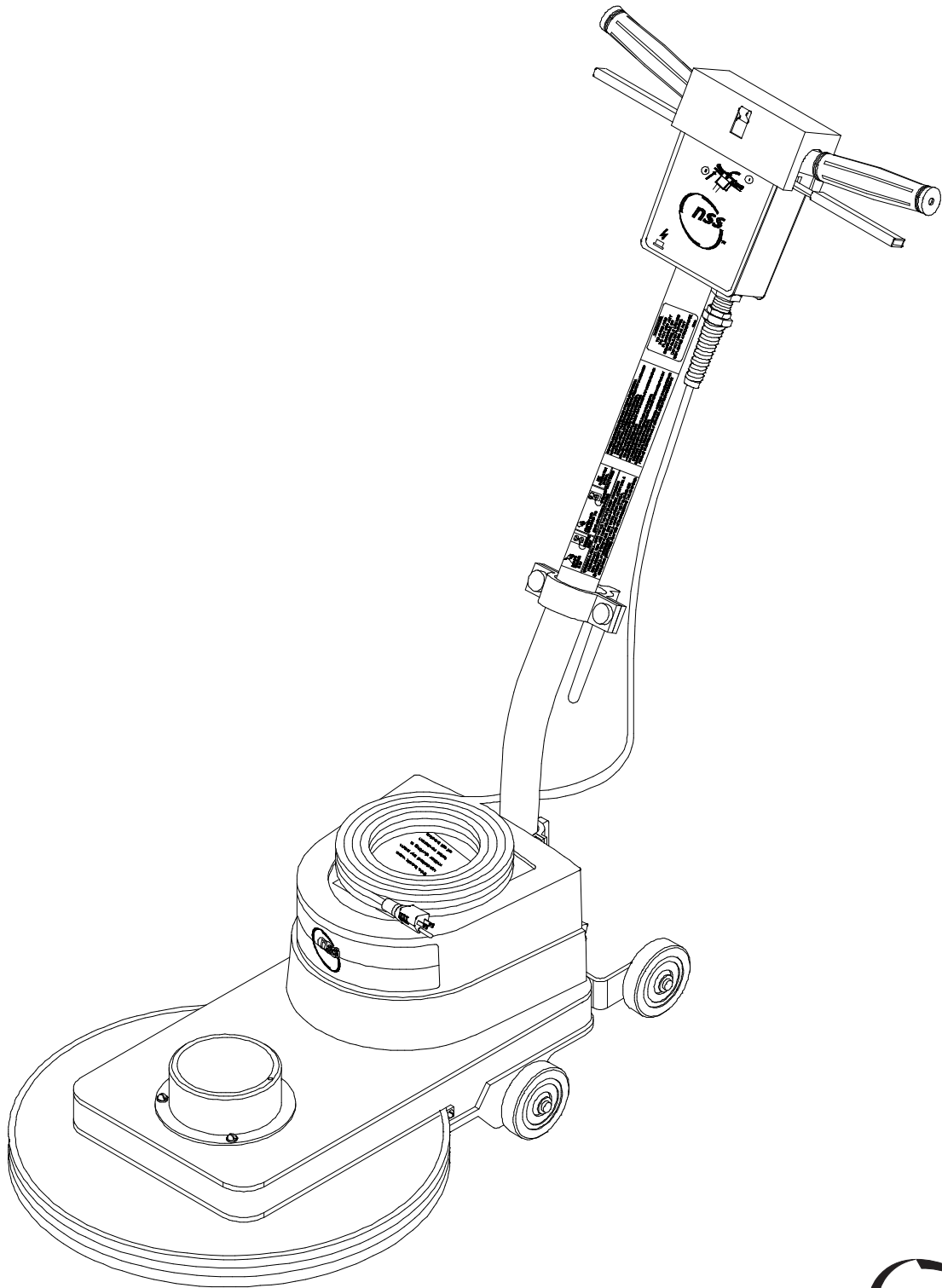


PARTS LIST

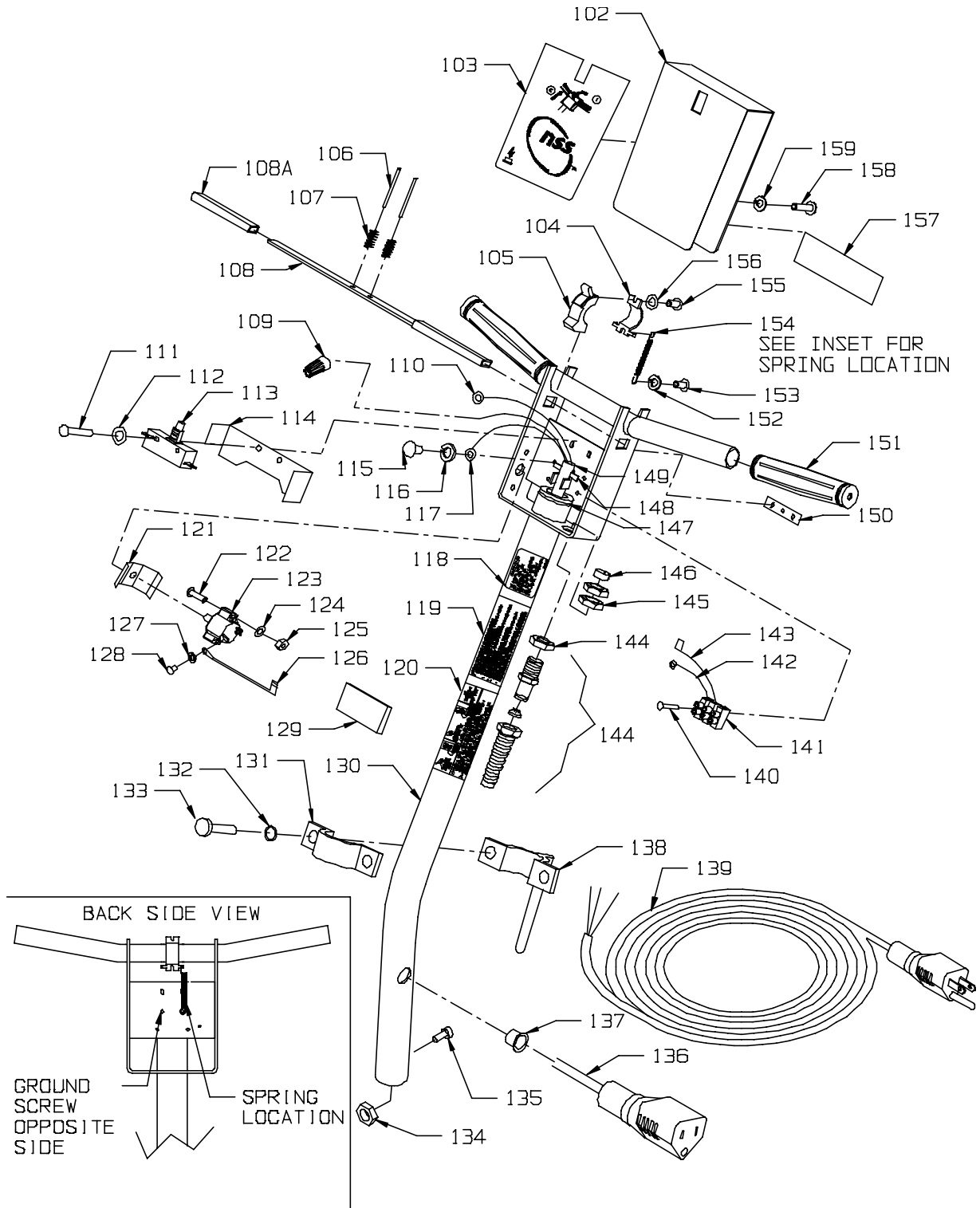
ELECTRIC CHARGER 1500



HANDLE ASSEMBLY - 5293999 120 VOLT - 75 FOOT CORD
HANDLE ASSEMBLY - 5296609 - 240 VOLT - 75 FOOT SHUKO CORD

| ITEM | PART NO. | PART DESCRIPTION | QTY. |
|-------------|-----------------|---|-------------|
| 102 | 5391873 | COVER - SWITCH BOX | 1 |
| 103 | 5392421 | DECAL - "SWITCH BOX WITH CIRCUIT BREAKER ICON" | 1 |
| 104 | 0393511 | LOCKOUT BRACKET | 1 |
| 105 | 0393521 | LOCK OUT | 1 |
| 106 | 9120828 | 1/8 X 1 3/4 ROLL PIN - PACK OF 4 | 2 |
| 107 | 5390171 | SWITCH LEVER SPRING | 2 |
| 108 | 5390779 | SWITCH LEVER WITH GRIPS - INCLUDES: | 1 |
| | 0393401 | SWITCH LEVER | 1 |
| 108A | 0393411 | GRIP - SWITCH LEVER | 2 |
| 109 | 5391321 | WIRE NUT - ORANGE - 120 VOLT ONLY | 1 |
| 110 | 0294031 | # 8 RING TERMINAL | 1 |
| 111 | 9120100 | 6-32 X 1 ROUND HEAD PHILLIPS MACHINE SCREW - PACK OF 10 | 2 |
| 112 | 9120130 | 6 EXTERNAL STAR LOCK WASHER - PACK OF 10 | 1 |
| 113 | 5390211 | SWITCH | 1 |
| 114 | 5390361 | SWITCH INSULATOR | 1 |
| 115 | 9120380 | 10-24 X 3/8 ROUND HEAD PHILLIPS MACHINE SCREW - PACK OF 10 | 1 |
| 116 | 9120320 | 10 SPLIT LOCK WASHER - PACK OF 10 | 1 |
| 117 | 0298981 | # 10 RING TERMINAL 14-16 GAGE | 1 |
| 118 | 5392401 | DECAL - "WARNING - FIRE" | 1 |
| 119 | 0190901 | DECAL - "WARNING" - 120 VOLT ONLY | 1 |
| | 0190921 | DECAL - "ICON ADAPTOR" - 240 VOLT ONLY | 1 |
| 120 | 0190911 | DECAL - "GROUNDING" - 120 VOLT ONLY | 1 |
| 121 | 5490441 | INSULATION - BREAKER LEAD | 1 |
| 122 | 9120430 | 10-24 X 3/4 ROUND HEAD PHILLIPS MACHINE SCREW - PACK OF 10 | 2 |
| 123 | 5294381 | 17 1/2 AMP CIRCUIT BREAKER - 120 VOLT | 1 |
| | 5294581 | 8 AMP CIRCUIT BREAKER - 240 VOLT | 1 |
| 124 | 9120320 | 10 SPLIT LOCK WASHER - PACK OF 10 | 2 |
| 125 | 9120360 | 10-24 HEX NUT WITH STAR LOCK WASHER - PACK OF 10 | 2 |
| 126 | 5490451 | CIRCUIT BREAKER LEAD - 4" | 1 |
| 127 | 9120200 | 8 SPLIT LOCK WASHER - PACK OF 10 | 2 |
| 128 | 9120223 | 8-32 X 1/4 PAN HEAD PHILLIPS MACHINE SCREW - PACK OF 5 | 2 |
| 129 | 5390511 | FOAM PAD | 1 |
| 130 | 5296761 | HANDLE | 1 |
| 131 | 5091636 | CORD HOOK CLAMP | 1 |
| 132 | 9120880 | 1/4 SPLIT LOCK WASHER - PACK OF 10 | 2 |
| 133 | 9121010 | 1/4-20 X 3/4 TRUSS HEAD PHILLIPS MACHINE SCREW - PACK OF 5 | 2 |
| 134 | 9120350 | 10-24 HEX NUT WITH NY-LOK INSERT - PACK OF 10 | 1 |
| 135 | 9120615 | 10-24 X 3/8 SOCKET HEAD CAP SCREW - PACK OF 10 | 1 |
| 136 | 5490861 | CORD - HANDLE | 1 |
| 137 | 5293131 | GROMMET | 1 |
| 138 | 5091682 | CORD HOOK | 1 |
| 139 | 5293791 | CORD - 75 FEET - 14-3 - 120 VOLT | 1 |
| | 0299671 | CORD - SHUKO - 75 FEET - 16-3 - 240 VOLT | 1 |
| | 5091569 | CORD - 50 FEET - 14-3 - 120 VOLT - OPTIONAL | 1 |
| 140 | 9120080 | 6-32 X 3/4 ROUND HEAD PHILLIPS MACHINE SCREW - 240 VOLT ONLY-PACK OF 10 | 1 |
| 141 | 5391931 | TERMINAL BLOCK - 240 VOLT ONLY | 1 |
| 142 | 5391921 | WIRE - GROUND - 240 VOLT ONLY | 1 |
| 143 | 5391911 | WIRE - DEAD MAN - 240 VOLT ONLY | 1 |
| 144 | 5091671 | STRAIN RELIEF - 120 VOLT | 1 |
| | 0299531 | STRAIN RELIEF - 240 VOLT | 1 |
| 145 | 5390261 | STRAIN RELIEF NUT - 120 VOLT | 2 |
| | 0891131 | PLASTIC STRAIN RELIEF NUT - 240 VOLT | 1 |
| 146 | 5092371 | STRAIN RELIEF CORD CLAMP - 120 VOLT | 1 |
| | 0299661 | STRAIN RELIEF CORD CLAMP - 240 VOLT | 1 |
| 147 | 5091656 | 7/8 I.D. X 1 3/8 O.D. X .112 THICK FLAT WASHER | 1 |
| 148 | 5091661 | CORD CLAMP | 1 |
| 149 | 8791070 | 3/8 I.D. X 1/2 O.D. VINYL HOSE | 4" |
| 150 | 9120025 | 6-32 DOUBLE HOLE SWITCH SPEED NUT - PACK OF 1 | 1 |
| 151 | 5491211 | HANDLE GRIP | 2 |

HANDLE ASSEMBLY - 5293999 120 VOLT - 75 FOOT CORD
HANDLE ASSEMBLY - 5296609 - 240 VOLT - 75 FOOT SHUKO CORD

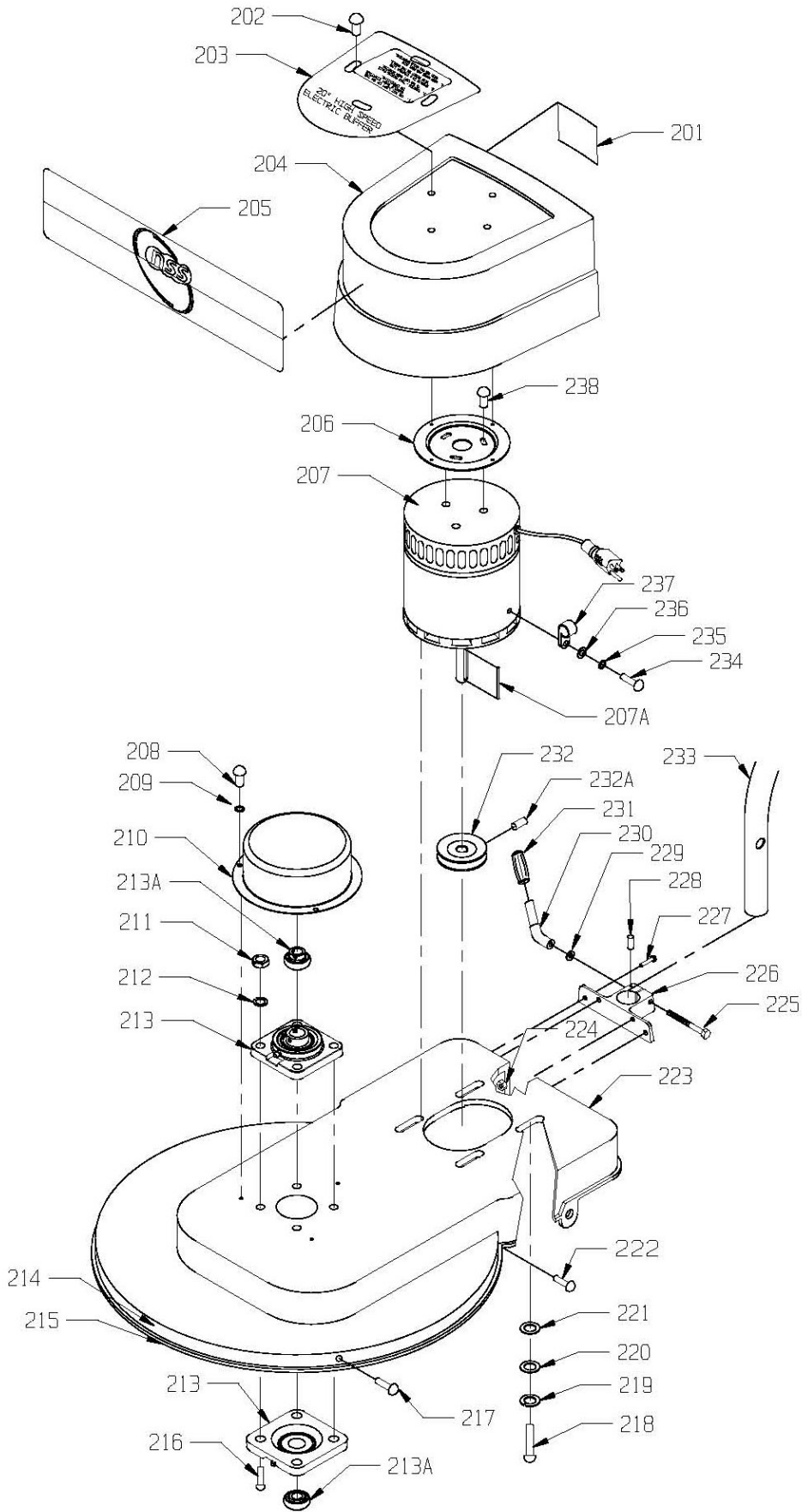


| | | | |
|-----|---------|--|---|
| 152 | 9120320 | 10 SPLIT LOCK WASHER - PACK OF 10 | 1 |
| 153 | 9120380 | 10-24 X 3/8 ROUND HEAD PHILLIPS MACHINE SCREW - PACK OF 10 | 1 |
| 154 | 0393381 | SPRING | 1 |
| 155 | 0393881 | M3 X .05 X 8mm PAN HEAD PHILLIPS THREAD CUTTING SCREW | 2 |
| 156 | 0393841 | M3 EXTERNAL STAR LOCK WASHER | 2 |
| 157 | 5296461 | IDENTIFIER DECAL | 1 |
| 158 | 9120320 | 10 SPLIT LOCK WASHER | 2 |
| 159 | 9120430 | 10-24 X 3/4 ROUND HEAD PHILLIPS MACHINE SCREW | 2 |

BASE ASSEMBLY - UPPER

| ITEM | PART NO. | PART DESCRIPTION | QTY. |
|-------------|-----------------|--|-------------|
| 201 | 5296431 | DECAL - HANDLE LOCKING INSTRUCTIONS | 1 |
| 202 | 9120210 | 8-32 X 1/4 TRUSS HEAD MACHINE SCREW - PACK OF 10 | 4 |
| 203 | 5296421 | MOTOR COVER DECAL | 1 |
| 204 | 5294291 | MOTOR COVER | 1 |
| 205 | 5296451 | CLOUD BURST DECAL - 3 X 12 | 1 |
| 206 | 5294706 | COVER STAND OFF PLATED | 1 |
| 207 | 5293571 | MOTOR 120 VOLT - 1 1/2 HP - INCLUDES: | 1 |
| 207A | 9120827 | 3/16 SQUARE X 1 LONG KEY - PACK OF 2 | 1 |
| 207 | 5295011 | MOTOR 240 VOLT - 1 1/2 HP - INCLUDES: | 1 |
| 207A | 9120827 | 3/16 SQUARE X 1 LONG KEY - PACK OF 2 | 1 |
| 208 | 9120380 | 10-24 X 3/8 ROUND HEAD PHILLIPS MACHINE SCREW - PACK OF 10 | 3 |
| 209 | 9120320 | 10 SPLIT LOCK WASHER - PACK OF 10 | 3 |
| 210 | 5293103 | BEARING COVER | 1 |
| 211 | 9121420 | 5/16-18 HEX NUT - PACK OF 10 | 4 |
| 212 | 9121520 | 5/16 SPLIT LOCK WASHER - PACK OF 10 | 4 |
| 213 | 5294901 | PILLOW BLOCK AND BEARING - INCLUDES: | 2 |
| 213A | 5293551 | BEARING - REPLACEMENT ONLY | 2 |
| 214 | 5293122 | BUMPER STRAP | 1 |
| 215 | 5293111 | BUMPER | 1 |
| 216 | 9121800 | 5/16-18 X 2 HEX BOLT - PACK OF 2 | 4 |
| 217 | 9120600 | 10-24 X 1/2 PAN HEAD PHILLIPS THREAD CUTTING SCREW - PACK OF 10 | 2 |
| 218 | 9122320 | 3/8-16 X 1 1/4 SOCKET HEAD CAP SCREW - PACK OF 2 | 4 |
| 219 | 9122100 | 3/8 SPLIT LOCK WASHER - PACK OF 10 | 4 |
| 220 | 9121400 | 3/8 I.D. X 7/8 O.D. X .064/.104 THICK WROUGHT WASHER (5/16) PACK OF 10 | 4 |
| 221 | 9121985 | 13/32 I.D. X 1 O.D. X .12 THICK FLAT WASHER (11 GAGE) - PACK OF 1 | 4 |
| 222 | 9120450 | 10-24 X 1 ROUND HEAD PHILLIPS MACHINE SCREW - PACK OF 10 | 2 |
| 223 | 5293015 | DECK | 1 |
| 224 | 9120900 | 1/4-20 HEX NUT WITH NY-LOK INSERT - PACK OF 10 | 4 |
| 225 | 9122657 | 1/2-13 X 3 LOCKING HEX BOLT - PACK OF 1 | 1 |
| 226 | 5293073 | HANDLE CASTING | 1 |
| 227 | 9121060 | 1/4-20 X 1 1/4 HEX BOLT - PACK OF 5 | 4 |
| 228 | 9120850 | 1/4-20 X 5/16 SET SCREW KNURL POINT - PACK OF 2 | 2 |
| 229 | 9122450 | 17/32 I.D. X 1 1/16 O.D. X .074/.121 THICK FLAT WASHER (1/2) - PACK OF 5 | 1 |
| 230 | 5293272 | LOCK HANDLE | 1 |
| 231 | 0393321 | HANDLE GRIP | 1 |
| 232 | 5294491 | PULLEY - INCLUDES: | 1 |
| 232A | 9121380 | 5/16-18 X 3/8 SET SCREW - KNURL - PACK OF 2POINT | 1 |
| 233 | 5296761 | HANDLE | 1 |
| 234 | 9120380 | 10-24 X 3/8 ROUND HEAD PHILLIPS MACHINE SCREW - PACK OF 10 | 1 |
| 235 | 9120320 | 10 SPLIT LOCK WASHER - PACK OF 10 | 1 |
| 236 | 9120370 | 7/32 I.D. X 1/2 O.D. X .032/.065 THICK FLAT WASHER - PACK OF 10 | 1 |
| 237 | 5294201 | NYLON CABLE CLAMP | 1 |
| 238 | 9120740 | 10-32 X 3/8 TRUSS HEAD PHILLIPS MACHINE SCREW - PACK OF 10 | 3 |

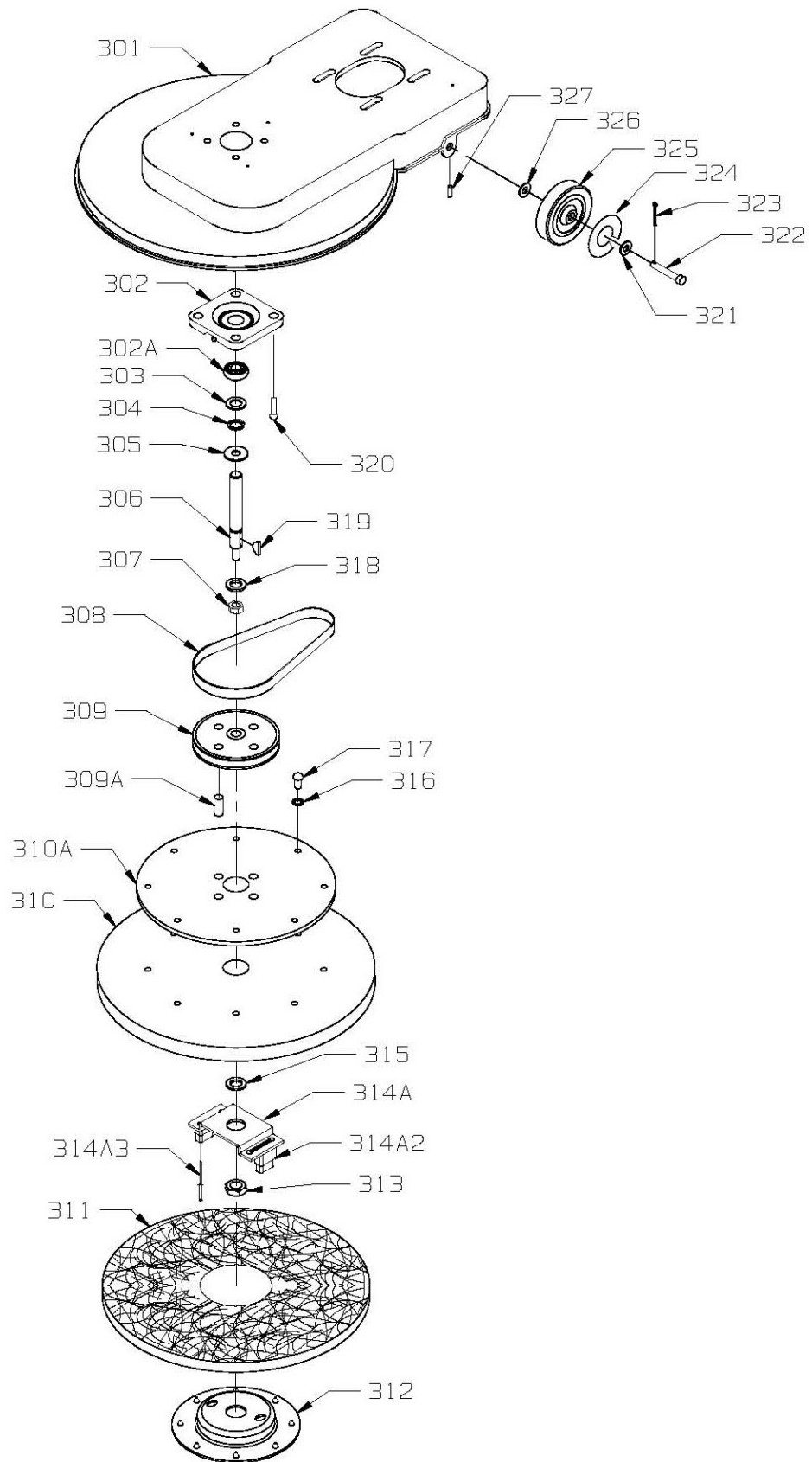
BASE ASSEMBLY - UPPER



BASE ASSEMBLY - LOWER

| <u>ITEM</u> | <u>PART NO.</u> | <u>PART DESCRIPTION</u> | <u>QTY.</u> |
|-------------|-----------------|---|-------------|
| 301 | 5293015 | DECK | 1 |
| 302 | 5294901 | PILLOW BLOCK AND BEARING - INCLUDES: | 2 |
| 302A | 5293551 | BEARING - REPLACEMENT ONLY | 2 |
| 303 | 9123105 | 3/4 I.D. X 1 1/4 O.D. X .071/.083 THICK FLAT WASHER (11 GAGE) - PACK OF 1 | 1 |
| 304 | 5293151 | RETAINING RING | 1 |
| 305 | 9123105 | 3/4 I.D. X 1 1/4 O.D. X .071/.083 THICK FLAT WASHER (11 GAGE) - PACK OF 1 | 1 |
| 306 | 5293531 | SHAFT | 1 |
| 307 | 9122507 | 1/2-13 HEX NUT WITH NY-LOK INSERT - PACK OF 1 | 1 |
| 308 | 5294501 | BELT | 1 |
| 309 | 5293059 | PULLEY - INCLUDES: | 1 |
| 309A | 9121043 | 1/4 X 1 1/8 ROLL PIN - PACK OF 5 | 4 |
| 310 | 5294339 | PAD DRIVER - INCLUDES: | 1 |
| 310A | 5293043 | PAD DRIVER PLATE | 1 |
| 311 | _____ | PAD - SEE ACCESSORIES PAGE FOR DIFFERENT TYPES | 1 |
| 312 | 5294151 | PAD HOLDER CUP | 1 |
| 313 | 9122507 | 1/2-13 HEX NUT WITH NY-LOK INSERT - PACK OF 1 | 1 |
| 314 | 5294239 | PAD HOLDER COMPLETE ASSEMBLY - INCLUDES: | 1 |
| 314A | 5294219 | PAD HOLDER BRACKET WITH TWIST FASTENERS - INCLUDES: | 1 |
| 314A1 | 5294216 | PAD HOLDER BRACKET | 1 |
| 314A2 | 5294221 | TWIST FASTENER | 2 |
| 314A3 | 9120313 | 9/32 X 1/32 FLAT HEAD RIVET - PACK OF 5 | 4 |
| 315 | 9122470 | 9/16 I.D. X 1 3/8 O.D. X .086/.132 THICK WROUGHT WASHER (1/2) - PACK OF 2 | 1 |
| 316 | 9120320 | 10 SPLIT LOCK WASHER - PACK OF 10 | 8 |
| 317 | 9120770 | 10-32 X 5/8 ROUND HEAD PHILLIPS MACHINE SCREW - PACK OF 10 | 8 |
| 318 | 9122470 | 9/16 I.D. X 1 3/8 O.D. X .086/.132 THICK WROUGHT WASHER (1/2) - PACK OF 2 | 1 |
| 319 | 9120013 | 3/16 X 1/2 WOODRUFF KEY - STEEL - PACK OF 2 | 1 |
| 320 | 9121800 | 5/16-18 X 2 HEX BOLT - PACK OF 2 | 4 |
| 321 | 9122465 | .516 I.D. X .813 O.D. X .027/.030 THICK FLAT WASHER - PACK OF 2 | 2 |
| 322 | 9122685 | 1/2 X 2 7/8 CLEVIS PIN - PACK OF 1 | 2 |
| 323 | 9120312 | 1/8 X 1 HUMPED COTTER PIN - PACK OF 5 | 2 |
| 324 | 5090491 | WHEEL DECAL | 2 |
| 325 | 5092591 | WHEEL - 5" - WITH PLASTIC BEARING | 2 |
| 326 | 9122465 | .516 I.D. X .813 O.D. X .027/.030 THICK FLAT WASHER - PACK OF 2 | 2 |
| 327 | 9120850 | 1/4-20 X 5/16 SET SCREW KNURL POINT - PACK OF 2 | 2 |

BASE ASSEMBLY - LOWER



IMPERIAL MOTOR ASSEMBLY - 5293571 - 120 VOLT - 1 1/2 HP

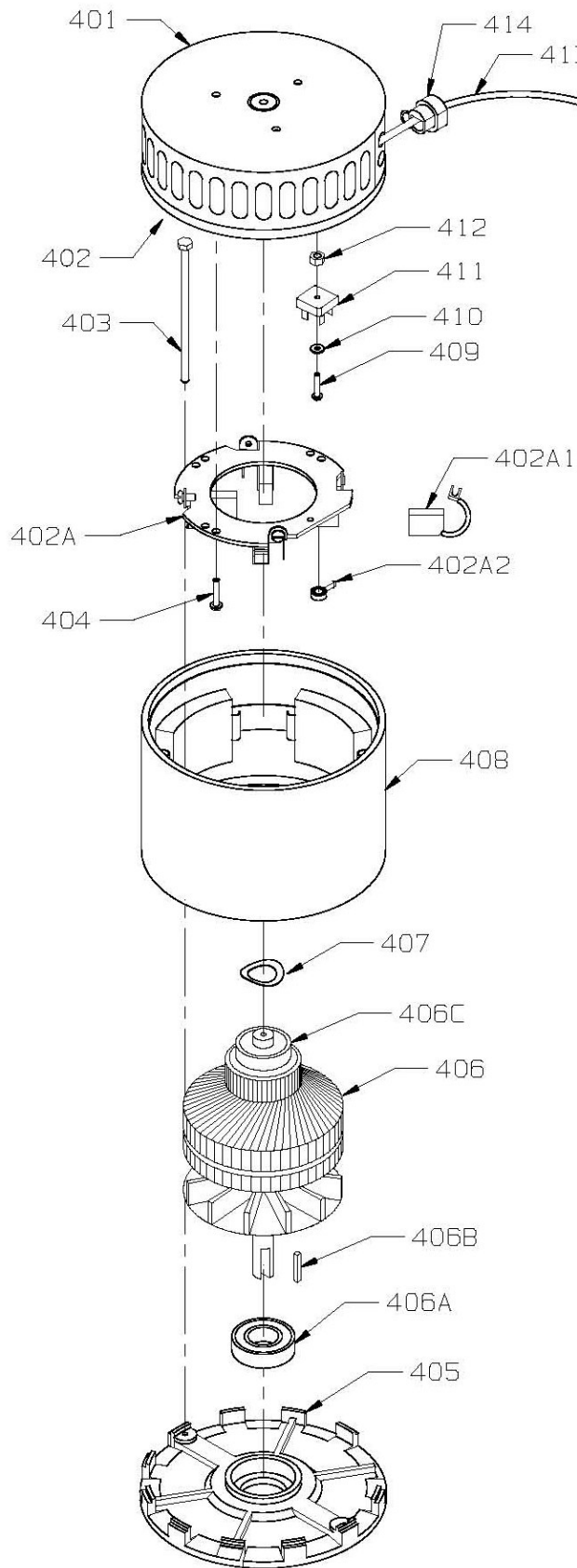
| ITEM | PART NO. | PART DESCRIPTION | QTY. |
|-------------|-----------------|--|-------------|
| 401 | 5991731 | COMMUTATOR BRACKET COVER | 1 |
| 402 | 5295051 | COMMUTATOR BRACKET ASSEMBLY WITH BRUSH, BOARD, LEADS - INCLUDES: | 1 |
| | 5295061 | COMMUTATOR BRACKET | 1 |
| 401A | 5295071 | BRUSH BOARD ASSEMBLY WITH DETECTORS, AND LEADS, INCLUDES: | 1 |
| 401A1 | 5293651 | CARBON BRUSH | 4 |
| 401A2 | 2797571 | BRUSH SPRING | 4 |
| 403 | 5991701 | THRU BOLT | 2 |
| 404 | 9120600 | 10-24 X 1/2 SELF TAPPING SCREW | 5 |
| 405 | 5295081 | BRACKET - BOTTOM END | 1 |
| 406 | 5293591 | ARMATURE ASSEMBLY INCLUDES: | 1 |
| 406A | 5991541 | BEARING - BOTTOM END | 1 |
| 406B | 9120827 | SHAFT KEY | 1 |
| 406C | 5991551 | BEARING - TOP END | 1 |
| 407 | 5991741 | HELICAL WASHER | 1 |
| 408 | 5991521 | STATOR FRAME ASSEMBLY - WITH CLIPS AND MAGNETS | 1 |
| 409 | 5991661 | 8-32 X 1.125 MOUNTING SCREW | 2 |
| 410 | 5991671 | M8 FLAT WASHER - BRASS | 2 |
| 411 | 5492741 | RECTIFIER | 2 |
| 412 | 5991681 | HEX NUT WITH STAR LOCK WASHER | 2 |
| 413 | 5295091 | MOTOR CORD | 1 |
| 414 | 5991591 | STRAIN RELIEF | 1 |

OHIO MOTOR ASSEMBLY - 120 VOLT - 1 1/2 HP - OHIO MOTOR ASSEMBLY - 5295011 - 240 VOLT - 1 1/2 HP

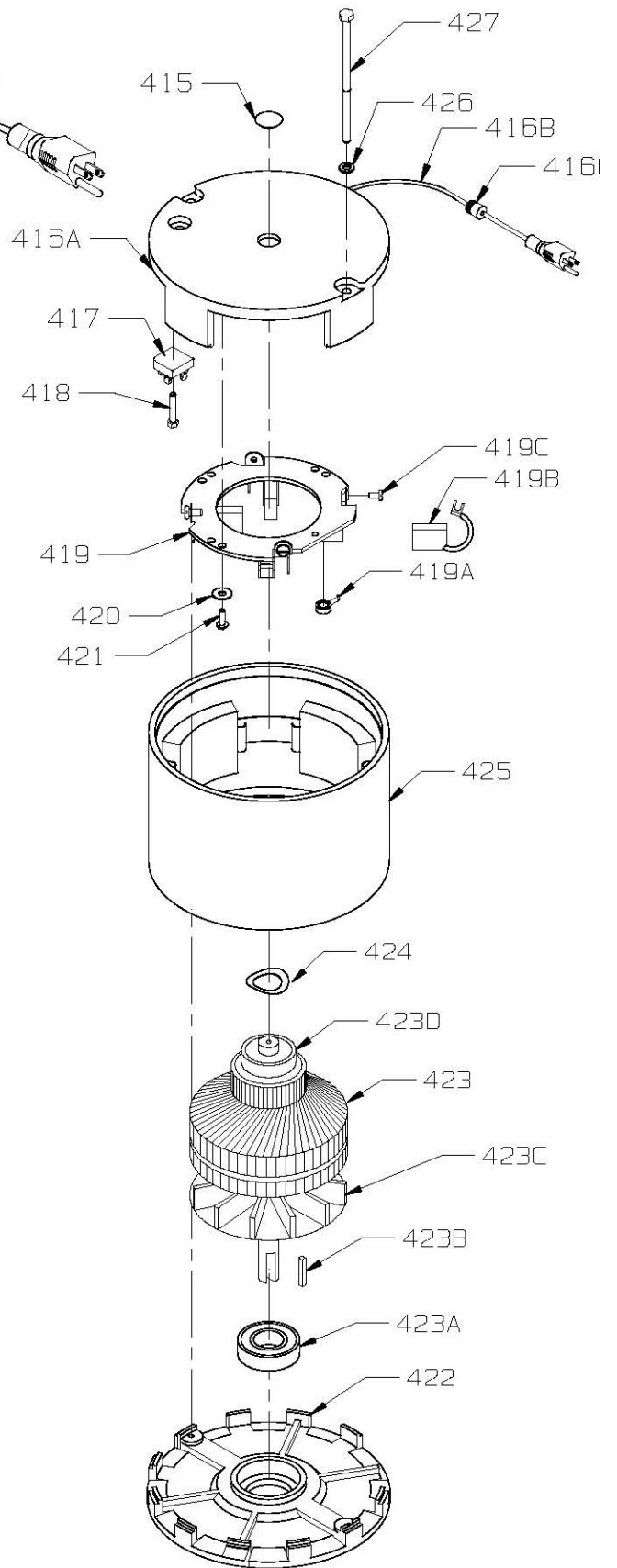
| ITEM | PART NO. | PART DESCRIPTION | QTY. |
|--|-----------------|--|-------------|
| <i>PLEASE NOTE THE 120 VOLT OHIO MOTOR ASSEMBLY WAS REPLACED BY THE IMPERIAL MOTOR ASSEMBLY - PARTS LISTED BELOW ARE REPLACEMENT PARTS ONLY FOR OLD OHIO MOTORS.</i> | | | |
| 415 | ----- | PLUG - NOT AVAILABLE | 1 |
| 416 | 5294401 | TOP END BELL ASSEMBLY WITH PIGTAIL | 1 |
| 416A | ----- | TOP END BELL | 1 |
| 416B | 5990511 | CORD | 1 |
| 416C | 5293941 | HEYCO STRAIN RELIEF | 1 |
| 417 | 5492741 | RECTIFIER - 60 AMP - 120 AND 240 VOLT | 2 |
| 418 | 9120260 | 8-32 X 3/4 ROUND HEAD PHILLIPS MACHINE SCREW - PACK OF 10 | 2 |
| 419 | 5490421 | BRUSH RING ASSEMBLY WITH DUAL RECTIFIERS | 1 |
| 419A | 5293881 | BRUSH SPRING | 4 |
| 419B | 5294051 | CARBON BRUSHES | 4 |
| 419C | ----- | 10-24 X 1/4 BINDING HEAD SLOT MACHINE SCREW - BRASS - PACK OF 10 | 4 |
| 420 | 9120330 | 10 EXTERNAL STAR LOCK WASHER - PACK OF 10 | 2 |
| 421 | 9120771 | 10-32 X 5/8 PAN HEAD PHILLIPS MACHINE SCREW - PACK OF 5 | 2 |
| 422 | 5294141 | BOTTOM END BELL | 1 |
| 423 | 5294131 | ARMATURE AND VENT FAN ASSEMBLY - 120 VOLT | 1 |
| 423A | 5293461 | BOTTOM BEARING | 1 |
| 423B | 9120827 | 3/16 SQUARE X 1 LONG KEY - STEEL - PACK OF 2 | 1 |
| 423C | 4491731 | VENT FAN | 1 |
| 423D | 5092041 | TOP BEARING | 1 |
| 423 | 5294741 | ARMATURE AND VENT FAN ASSEMBLY - 240 VOLT | 1 |
| 423A | 5293461 | BOTTOM BEARING | 1 |
| 423B | 9120827 | 3/16 SQUARE X 1 LONG KEY - STEEL - PACK OF 2 | 1 |
| 423C | 4491731 | VENT FAN | 1 |
| 423D | 5092041 | TOP BEARING | 1 |
| 424 | 5293441 | 1 3/16 I.D. X 1 1/2 O.D. 2 WAVE SPRING WASHER - PACK OF 1 | 2 |
| 425 | 5294121 | FRAME WITH MAGNETS | 1 |
| 426 | 9120880 | 1/4 SPLIT LOCK WASHER - PACK OF 10 | 2 |
| 427 | 5492801 | 1/4-20 X 7 HEX WASHER HEAD THRU BOLT - PACK OF 1 | 2 |

MOTOR ASSEMBLY

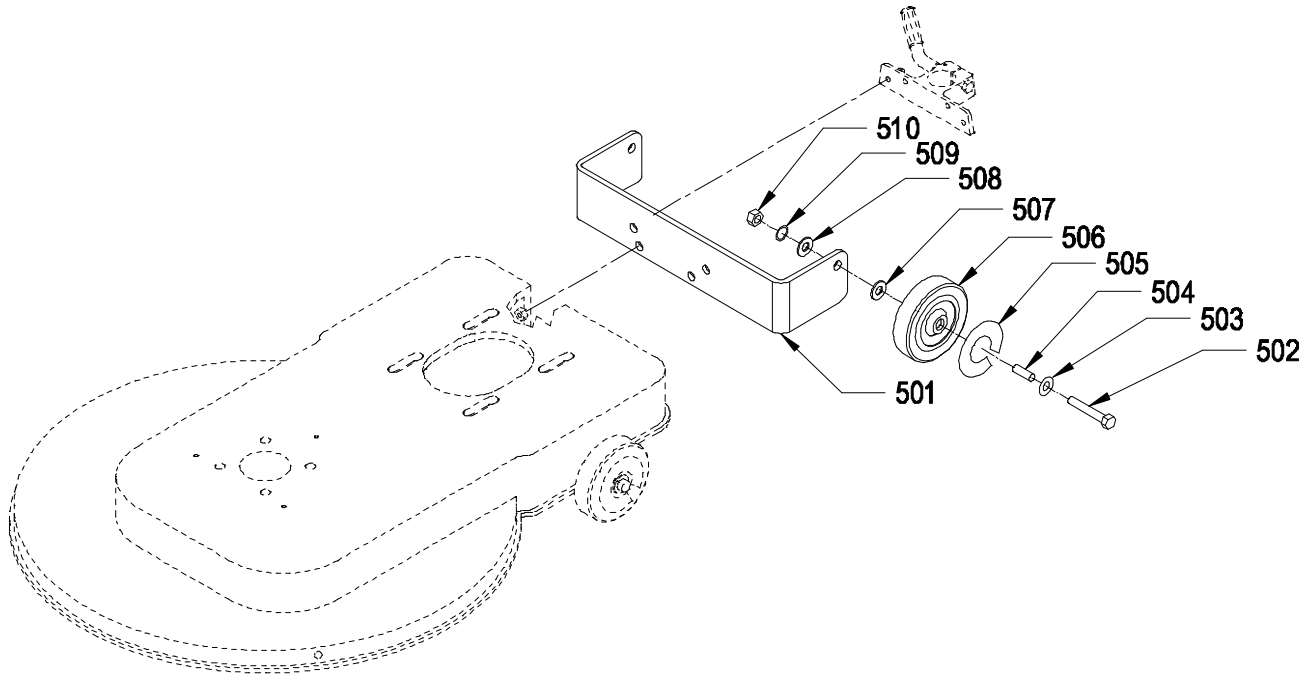
IMPERIAL - 120 VOLT MOTOR



OHIO - 120 & 240 VOLT MOTOR

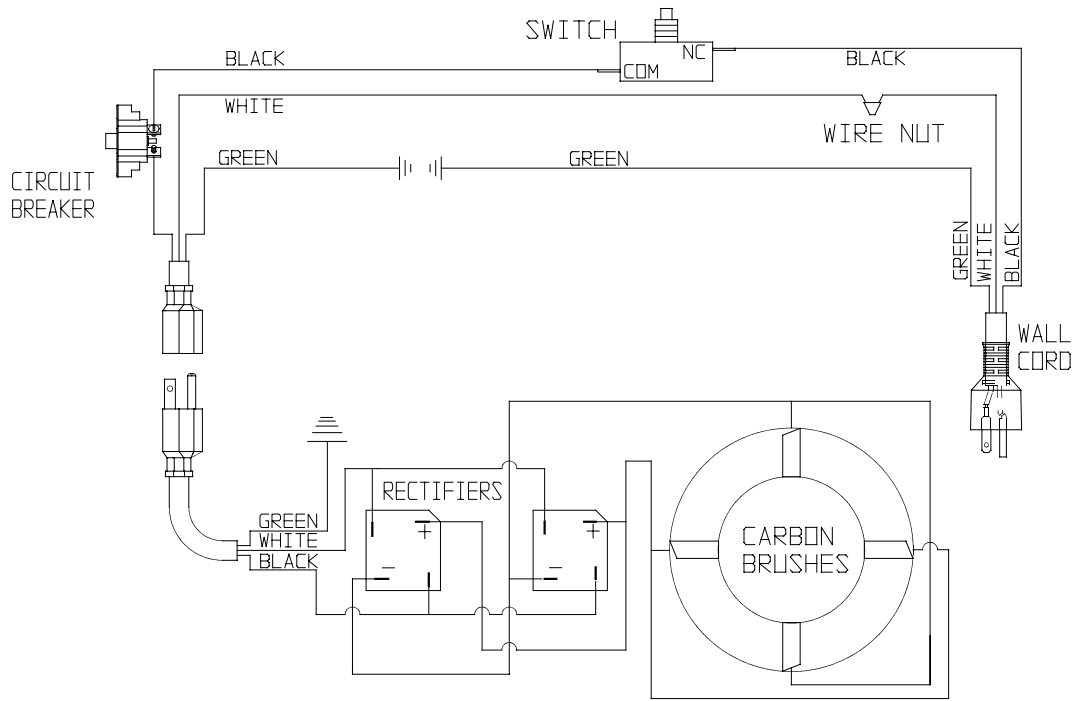


OPTIONAL WHEEL CARRIAGE ASSEMBLY - 5294449



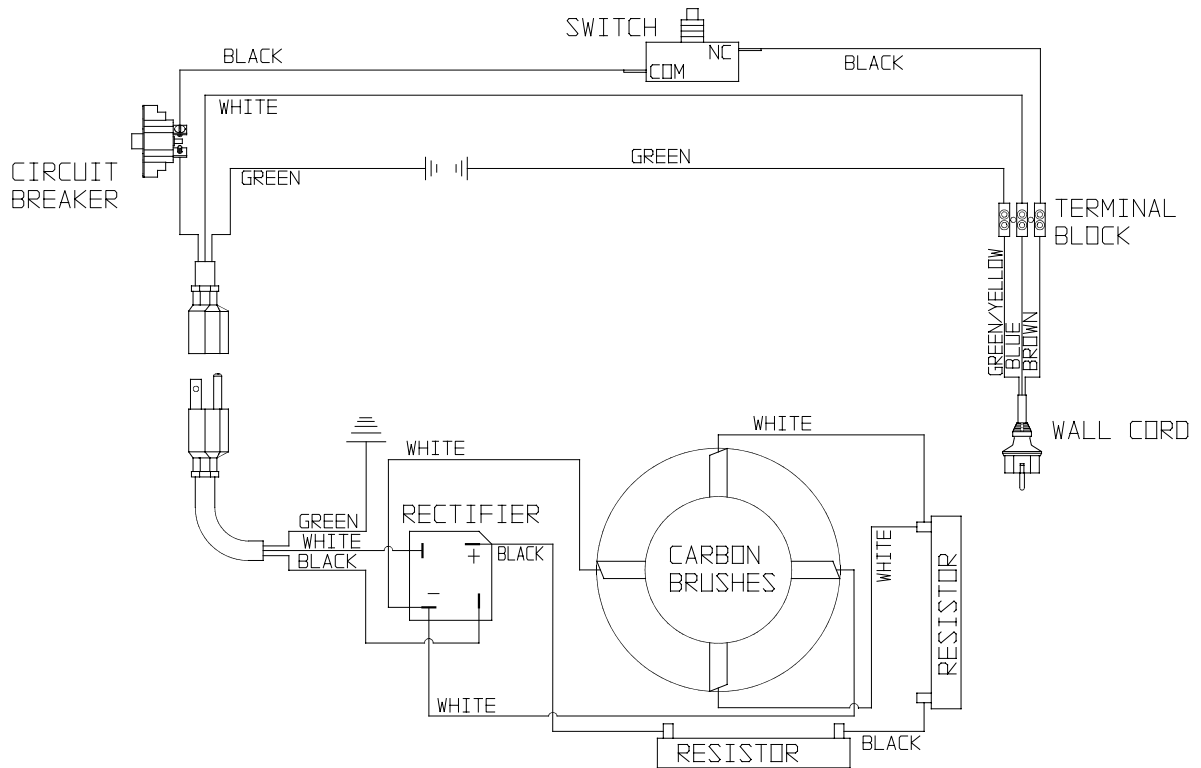
| <u>ITEM</u> | <u>PART NO.</u> | <u>PART DESCRIPTION</u> | <u>QTY.</u> |
|-------------|-----------------|--|-------------|
| 501 | 5294443 | WHEEL BRACKET | 1 |
| 502 | 9122080 | 3/8-16 X 2 1/2 HEX BOLT | 2 |
| 503 | 9122705 | 1/2 I.D. X 3/4 O.D. X .01 THICK - 1 WAVE SPRING WASHER (1/2) - PACK OF 2 | 2 |
| 504 | 5294391 | SPACER | 2 |
| 505 | 5090491 | WHEEL DECAL | 2 |
| 506 | 5092591 | WHEEL 5" WITH PLASTIC BEARING | 2 |
| 507 | 9122705 | 1/2 I.D. X 3/4 O.D. X .01 THICK - 1 WAVE SPRING WASHER (1/2) - PACK OF 2 | 2 |
| 508 | 9122180 | 13/32 I.D. X 13/16 O.D. X .051/.080 THICK WROUGHT WASHER (3/8) - PACK OF 10 | 2 |
| 509 | 9122100 | 3/8 SPLIT LOCK WASHER - PACK OF 10 | 2 |
| 510 | 9122000 | 3/8-16 HEX NUT - PACK OF 10 | 2 |

WIRE DIAGRAM - 120 VOLT



SEE HANDLE ASSEMBLY
FOR COMPONENT NUMBERS

WIRE DIAGRAM - 240 VOLT



SEE HANDLE ASSEMBLY
FOR COMPONENT NUMBERS

ACCESSORIES



PART NO.

PART DESCRIPTION

NOTE:

ALL PADS COME 5 PADS PER CASE (EXCEPT TWISTER PADS)

7992051

20" LITE BLUE POLISH / BURNISH PAD - FOR SOFT FINISH

7992061

20" LITE HAIR BURNISH PAD - FOR ALL FINISHES

7992081

20" ULTRA HAIR HARD FINISH PAD - FOR HARD FINISH

7992091

20" ULTIMATE HAIR PAD - HARD FINISH AGGRESSIVE BURNISHING

7992021

20" GREEN SCRUB PAD - HEAVY FINISH REMOVAL

7992001

20" BLACK STRIP PAD - REMOVES FINISH COMPLETELY

7992011

20" BROWN STRIP PAD - REMOVES FINISH COMPLETELY

TWISTER PADS

7992201

20" TWISTER STARTER KIT

7992141

20" TWISTER RED PAD

7992131

20" TWISTER WHITE PAD

7992121

20" TWISTER YELLOW PAD

7992101

20" TWISTER GREEN PAD



NSS ® Enterprises, Inc.

3115 Frenchmens Road, Toledo, Ohio 43607

PHONE (419) 531-2121 FAX (419) 531-3761

NSS ® Enterprises, Inc. European Distribution Centre

Unit II, Pinfold Trading Estate * 55 Nottingham Road

STAPLEFORD, NOTTINGHAM NG9 8AD ENGLAND U.K.

PHONE: (44) 0115 939 1568 * FAX: (44) 0115 949 0615