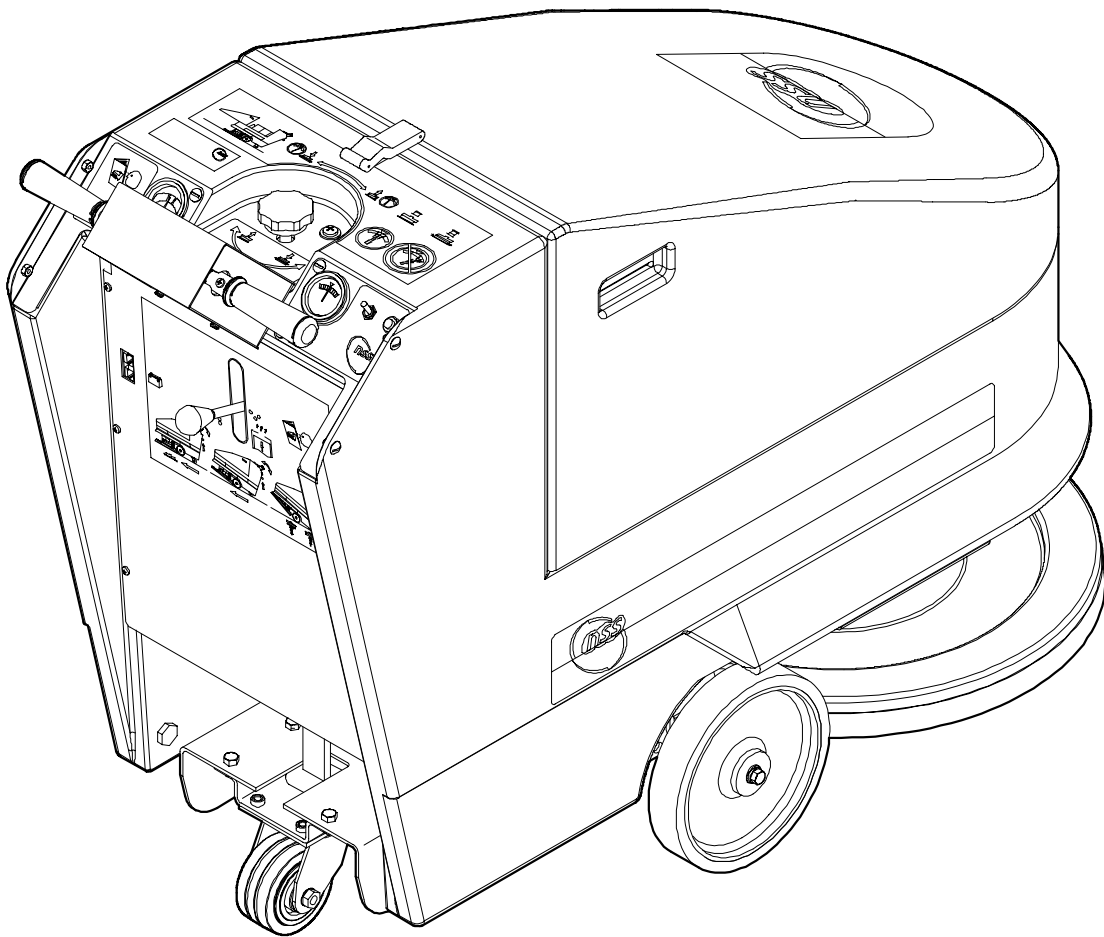


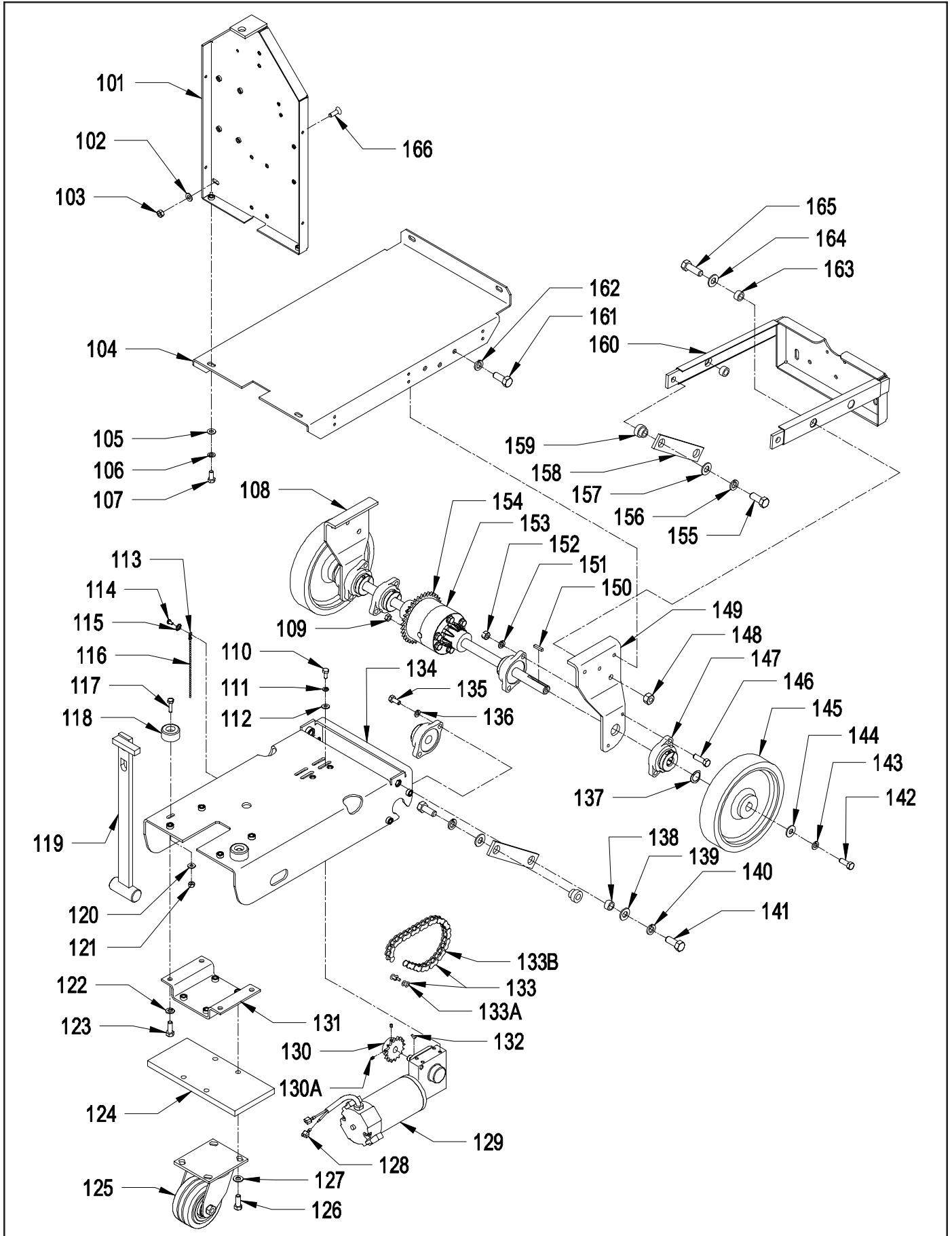
PARTS LIST
CHARGER 2020 DB



BASE - CHARGER 2020 DB

<u>ITEM</u>	<u>PART NO.</u>	<u>DESCRIPTION</u>	<u>QTY.</u>
101	6495511	CONTROL FRAME WELDMENT	1
102	9121390	11/32 I.D. X 11/16 O.D. X .051/.080 THICK SAE FLAT WASHER (5/16)	2
103	9121450	5/16-18 HEX NUT WITH NY-LOK INSERT	2
104	6495071	BASE PLATE	1
105	9121390	11/32 I.D. X 11/16 O.D. X .051/.080 THICK SAE FLAT WASHER (5/16)	2
106	9121520	5/16 SPLIT LOCK WASHER	2
107	9121640	5/16-18 X 3/4 HEX BOLT	2
108	6495261	BASE LEG CHARGER WHEEL DRIVE - LEFT	1
109	9121450	5/16-18 HEX NUT WITH NY-LOK INSERT	4
110	9121210	1/4-20 X 5/8 HEX BOLT	4
111	9120880	1/4 SPLIT LOCK WASHER	4
112	9120930	9/32 I.D. X 5/8 O.D. X .051/.080 THICK SAE FLAT WASHER (1/4)	4
113	6491871	END COUPLING ROUND BEAD CHAIN	1
114	9120380	10-24 X 3/8 ROUND HEAD PHILLIPS MACHINE SCREW	1
115	9120330	10 EXTERNAL STAR LOCK WASHER	1
116	6491860	ROUND BEAD CHAIN (CUT LENGTH 6")	.5'
117	9121270	1/4-20 X 1 HEX BOLT	2
118	4894461	RUBBER STOP	2
119	6490701	CATCH ASSEMBLY	1
120	9120930	9/32 I.D. X 5/8 O.D. X .051/.080 THICK SAE FLAT WASHER (1/4)	2
121	9120900	1/4-20 HEX NUT WITH NY-LOK INSERT	2
122	9122100	3/8 SPLIT LOCK WASHER	4
123	9122220	3/8-16 X 3/4 HEX BOLT	4
124	6495461	CASTER BLOCK	1
125	6492061	RED 4 INCH CASTER - INCLUDES:	1
	4490391	CASTER WHEEL WITH BEARING	1
126	9122260	3/8-16 X 1 HEX BOLT	4
127	9122180	13/32 I.D. X 13/16 O.D. X .051/.080 THICK WROUGHT WASHER (3/8)	4
128	5490171	FULLY INSULATED MALE TERMINAL 14-16 GAGE	2
129	6495291	DRIVE MOTOR 36 VOLT	1
130	6495531	SPROCKET 40BS12H - INCLUDES:	1
130A	9120637	10-24 X 1/4 SET SCREW - CUP POINT	2
131	6495141	CASTER MOUNT	1
132	9120013	1/8 SQUARE X 1/2 LONG WOODRUFF KEY - STEEL	1
133	6495569	#40 ROLLER CHAIN 33 LINKS + MASTER - INCLUDES:	1
133A	2795211	LINK - MASTER #40 CHAIN	1
133B	6495541	#40 ROLLER CHAIN 33 LINKS NO MASTER	1
134	6495151	FRAME	1
135	9122220	3/8-16 X 3/4 HEX BOLT	4
136	9122100	3/8 SPLIT LOCK WASHER	4
137	9123105	3/4 I.D. X 1 1/4 O.D. X .071/.082 THICK FLAT WASHER (11 GAGE)	2
138	4492791	BUSHING, PIVOT	2
139	9122450	17/32 I.D. X 1 1/16 O.D. X .074/.121 THICK SAE FLAT WASHER (1/2)	2
140	9122420	1/2 SPLIT LOCK WASHER	2
141	9122540	1/2-13 X 1 1/4 HEX BOLT	2
142	9121640	5/16-18 X 3/4 HEX BOLT	2
143	9121520	5/16 SPLIT LOCK WASHER	2
144	9121985	13/32 I.D. X 1 O.D. X .12 THICK FLAT WASHER (11 GAGE)	2
145	6495391	DRIVE WHEEL 9 X 1 5/8	2
146	9122075	3/8-16 X 1 1/2 HEX BOLT	4
147	6495061	PILLOW BLOCK BEARING WITH GRIP-IT BEARING RING	6
148	9122495	1/2-13 HEX NUT WITH NY-LOK INSERT - THIN	2
149	6495251	BASE LEG CHARGER WHEEL DRIVE - RIGHT	1
150	9120825	3/16 SQUARE X 7/8 LONG KEY - STEEL	2
151	9122100	3/8 SPLIT LOCK WASHER	4
152	9121990	3/8-16 HEX JAM NUT	4
153	6495101	DIFFERENTIAL - SHORT	1
154	6495521	SPROCKET 40A26	1
155	9122540	1/2-13 X 1 1/4 HEX BOLT	2
156	9122420	1/2 SPLIT LOCK WASHER	2
157	9122450	17/32 I.D. X 1 1/16 O.D. X .074/.121 THICK SAE FLAT WASHER (1/2)	2
158	6490691	LIFT ARM	2
159	4495141	LIFT ARM SPACER	2
160	6495501	PIVOT WELDMENT	1
161	9122220	3/8-16 X 3/4 HEX BOLT	6
162	9122100	3/8 SPLIT LOCK WASHER	6
163	4492791	BUSHING, PIVOT	2
164	9122450	17/32 I.D. X 1 1/16 O.D. X .074/.121 THICK SAE FLAT WASHER (1/2)	2
165	9122540	1/2-13 X 1 1/4 HEX BOLT	2
166	9121470	5/16-18 X 1 FLAT HEAD PHILLIPS MACHINE SCREW	4

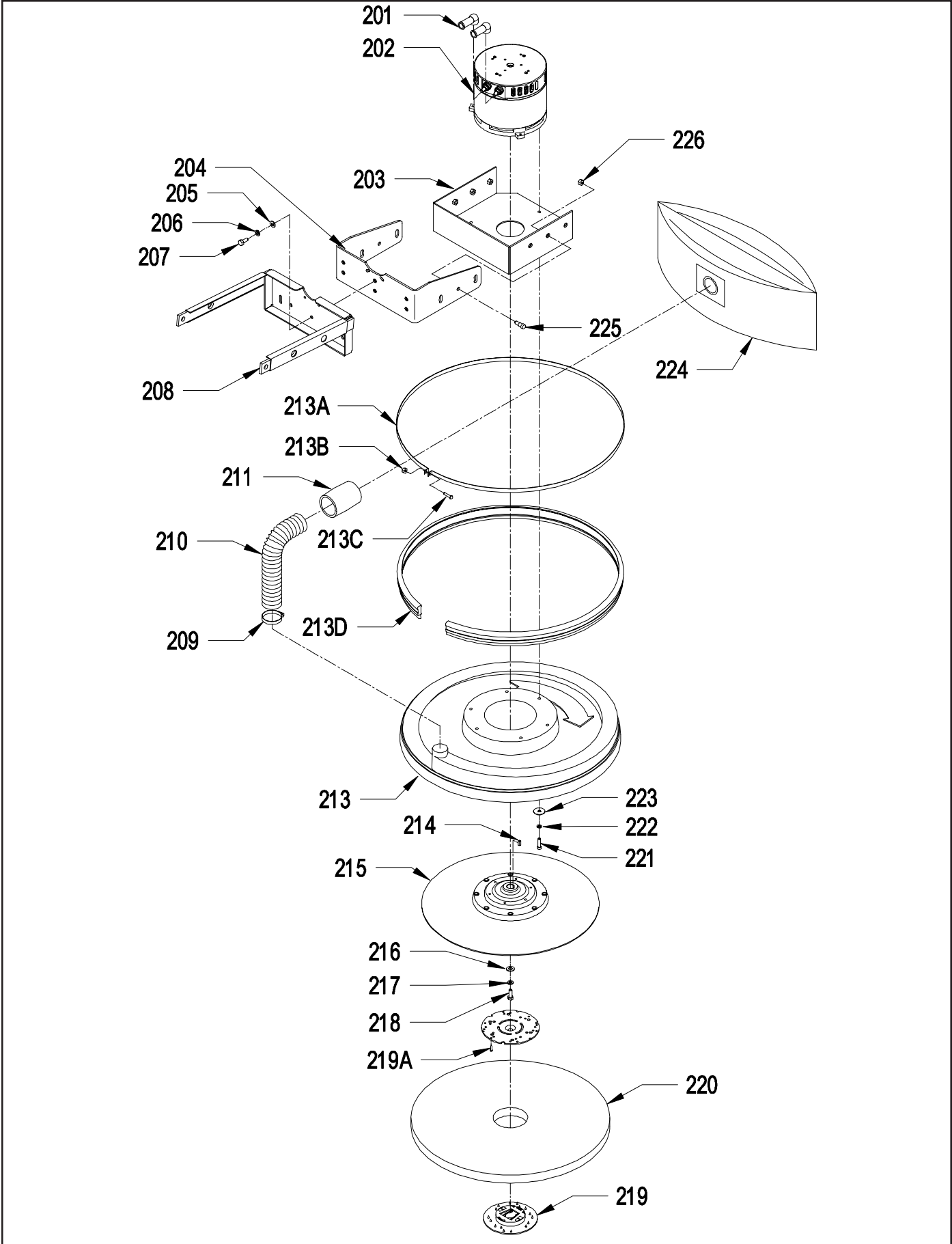
BASE - CHARGER 2020 DB



SHIELD AND PAD DRIVER

<u>ITEM</u>	<u>PART NO.</u>	<u>DESCRIPTION</u>	<u>QTY.</u>
201	6492051	STUD TERMINAL BOOT - RUBBER	2
202	6493511	MOTOR 36 VOLT	1
203	4492663	MOTOR MOUNT	1
204	6495601	MOTOR MOUNT MOUNTING FORK	1
205	9121390	11/32 I.D. X 11/16 O.D. X .051/.080 THICK SAE FLAT WASHER (5/16)	3
206	9121520	5/16 SPLIT LOCK WASHER	3
207	9121640	5/16-18 X 3/4 HEX BOLT	3
208	6495501	PIVOT WELDMENT	1
209	4495441	HOSE CLAMP, 1 9/16" - 2 1/2" DIAMETER	1
210	3392561	VAC EXHAUST HOSE	1
211	4495531	END CUFF - 2"	1
212	6490729	CW-FLEXIWALL SHIELD ASSEMBLY - INCLUDES:	1
213A	6490732	BUMPER STRAP	1
213B	9120350	10-24 HEX NUT WITH NY-LOK INSERT	1
213C	9120450	10-24 X 1 ROUND HEAD PHILLIPS MACHINE SCREW	1
213D	6490191	BUMPER / BRUSH	1
214	9120815	3/16 SQUARE X 1/2 LONG KEY - STEEL	1
215	6492568	DRIVER, PAD - 20" ASSEMBLED & BALANCED	1
216	9121985	13/32 I.D. X 1 O.D. X .12 THICK FLAT WASHER (11 GAGE)	1
217	9121520	5/16 SPLIT LOCK WASHER	1
218	9121490	5/16-24 X 7/8 HEX BOLT	1
219	5990731	SPRING CLIP PAD HOLDER SET - INCLUDES:	1
219A	9120810	10 X 1/2 PAN HEAD PHILLIPS SHEET METAL SCREW	3
220	6492001	20" LUST LITE BURNISH PAD - CASE (5)	1
221	9120980	1/4-20 X 1 SOCKET HEAD CAP SCREW	3
222	9120880	1/4 SPLIT LOCK WASHER	3
223	9120950	1/4 X 1 1/4 FENDER WASHER	3
224	5796101	PAPER BAG - 5 PACK	1
	6592801	VAC TRAC COLLECTION BAG - OPTIONAL	1
225	9122020	3/8 DIAMETER X 3/8 LONG SOCKET HEAD SHOULDER BOLT (5/16-18)	6
226	9121430	5/16-18 THIN HEX NUT WITH NY-LOK INSERT	6

SHIELD AND PAD DRIVER



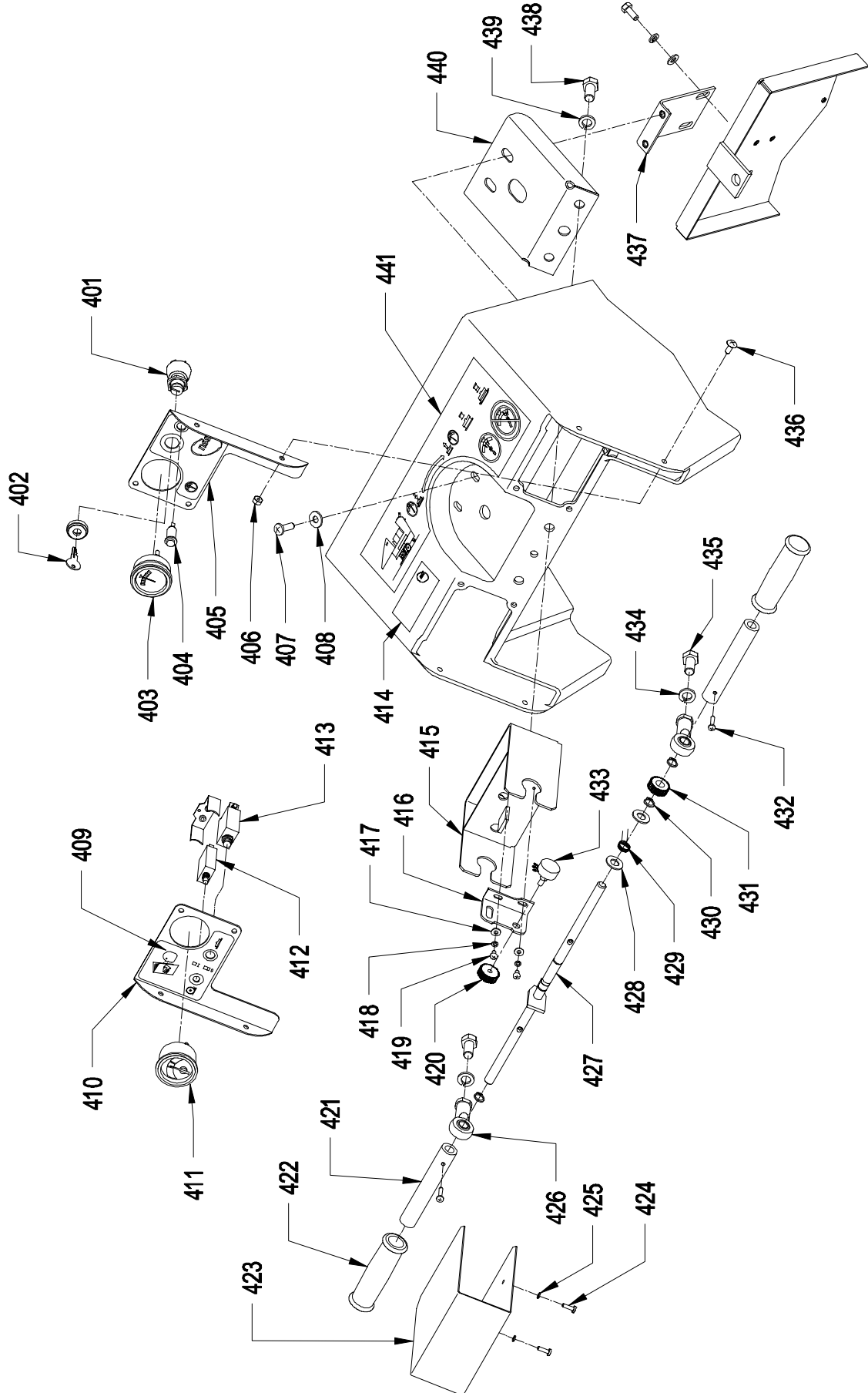
CONTROL FRAME - CHARGER 2020 DB

<u>ITEM</u>	<u>PART NO.</u>	<u>DESCRIPTION</u>	<u>QTY.</u>
301	4490521	LOAD ADJUST KNOB (INCLUDES SET SCREW)	1
302	9122450	17/32 I.D. X 1 1/16 O.D. X .074/.121 THICK SAE FLAT WASHER	2
303	9122705	1/2 I.D. X 3/4 O.D. X .01 THICK 1 WAVE SPRING WASHER (1/2)	1
304	6490611	ADJUSTMENT ROD	1
305	6490621	ADJUSTMENT ROD COLLAR	2
306	9122180	13/32 I.D. X 13/16 O.D. X .051/.080 THICK WROUGHT WASHER	1
307	4490561	INSULATED STANDOFF	1
308	9120970	1/4 EXTERNAL STAR LOCK WASHER	1
309	9121210	1/4-20 X 5/8 HEX BOLT	1
310	4491011	SOLENOID, 36 VOLT	1
311	9120930	9/32 I.D. X 5/8 O.D. X .051/.080 THICK SAE FLAT WASHER (1/4)	2
312	9120880	1/4 SPLIT LOCK WASHER	2
313	9121170	1/4-20 X 1/2 HEX BOLT	2
314	9121287	1/4-20 X 2 1/2 HEX HEAD BOLT - STEEL	1
315	2791281	BUSHING SPACER	2
316	2791281	BUSHING SPACER	2
317	9120930	9/32 I.D. X 5/8 O.D. X .051/.080 THICK SAE FLAT WASHER (1/4)	2
318	9120900	1/4-20 HEX NUT WITH NY-LOK INSERT	2
319	6490601	ADJUSTMENT BRACKET WELDMENT	1
320	4495326	SWITCH BRACKET	1
321	9120370	7/32 I.D. X 1/2 O.D. X .032/.065 THICK SAE FLAT WASHER (#10)	2
322	9120320	10 SPLIT LOCK WASHER	2
323	9120460	10-24 X 1 1/4 ROUND HEAD PHILLIPS MACHINE SCREW	2
324	4491071	SNAP SWITCH	1
325	9120130	6 EXTERNAL STAR LOCK WASHER	2
326	9120090	6-32 X 7/8 PAN HEAD PHILLIPS MACHINE SCREW	2
327	4490601	KNOB, RAISE / LOWER ROD	1
328	6490101	LATCH HANDLE	1
329	6490093	LATCH ASSEMBLY	1
330	4490631	COMPRESSION SPRING	1
331	9122450	17/32 I.D. X 1 1/16 O.D. X .074/.121 THICK SAE FLAT WASHER	1
332	9121270	1/4-20 X 1 HEX BOLT	4
333	9120880	1/4 SPLIT LOCK WASHER	4
334	4495351	SPACER GUIDE	4
335	9120900	1/4-20 HEX NUT WITH NY-LOK INSERT	1
336	9120880	1/4 SPLIT LOCK WASHER	2
337	9121170	1/4-20 X 1/2 HEX BOLT	2
338	9120320	10 SPLIT LOCK WASHER	2
339	6492473	SPEED CONTROL MOUNTING BRACKET	1
340	2690021	SPEED CONTROL, CURTIS	1
341	9120260	8-32 X 3/4 ROUND HEAD PHILLIPS MACHINE SCREW	2
342	9120410	10-24 X 1/2 ROUND HEAD PHILLIPS MACHINE SCREW	2
343	6490701	CATCH ASSEMBLY	1
344	6495071	BASE PLATE	1
345	9121520	5/16 SPLIT LOCK WASHER	2
346	9121640	5/16-18 X 3/4 HEX BOLT	2
347	9121390	11/32 I.D. X 11/16 O.D. X .051/.080 THICK SAE FLAT WASHER (5/16)	2
348	4491031	SHUNT	1
349	9120970	1/4 EXTERNAL STAR LOCK WASHER	2
350	9120920	1/4-20 HEX NUT	2
351	9123005	1/8 X 5 1/2 WIRE TIE	4
352	6495511	CONTROL FRAME WELDMENT	1
353	4492803	TOP SUPPORT BRACKET	1
354	9120970	1/4 EXTERNAL STAR LOCK WASHER	2
355	9121270	1/4-20 X 1 HEX BOLT	2
356	9121640	5/16-18 X 3/4 HEX BOLT	2
357	9121520	5/16 SPLIT LOCK WASHER	2
358	9121390	11/32 I.D. X 11/16 O.D. X .051/.080 THICK SAE FLAT WASHER (5/16)	2
359	9121400	3/8 I.D. X 7/8 O.D. X .064/.104 THICK WROUGHT WASHER (5/16)	2
360	9121480	5/16-18 X 1 ROUND HEAD PHILLIPS MACHINE SCREW	2
361	9121170	1/4-20 X 1/2 HEX BOLT	1
362	9120880	1/4 SPLIT LOCK WASHER	1
363	9122450	17/32 I.D. X 1 1/16 O.D. X .074/.121 THICK SAE FLAT WASHER	1
364	9120310	1/8 X 3/4 COTTER PIN	3

TWISTED GRIP CONTROL

<u>ITEM</u>	<u>PART NO.</u>	<u>DESCRIPTION</u>	<u>QTY.</u>
401	2795711	KEY SWITCH & KEY	1
402	2796131	REPLACEMENT KEY	1
403	4491041	RPM METER WITH HARDWARE	1
404	2691981	LIGHT - INDICATOR, GREEN, 35 VOLT, WITH CLIP	1
405	6495161	KEY SWITCH CONTROL PANEL - RIGHT	1
406	9120900	1/4-20 HEX NUT WITH NY-LOK INSERT	8
407	9121480	5/16-18 X 1 ROUND HEAD PHILLIPS MACHINE SCREW	2
408	9121400	3/8 I.D. X 7/8 O.D. X .064/.104 THICK WROUGHT WASHER (5/16)	2
409	6495191	CONTROL PANEL DECAL KIT	1
410	6495181	CONTROL PANEL - LEFT	1
411	4491051	BATTERY METER WITH HARDWARE	1
412	2392201	CIRCUIT BREAKER, 115 VOLT 10 AMP	1
413	4490701	CIRCUIT BREAKER - 70 AMP/ETA	1
414	6493071	IDENTIFIER DECAL CHARGER 2020 DB	1
415	6495021	HANDLE BOX - TWISTED GRIP	1
416	6495051	POTENTIOMETER MOUNTING BRACKET	1
417	9120370	7/32 I.D. X 1/2 O.D. X .032/.065 THICK FLAT WASHER (#10)	2
418	9120320	10 SPLIT LOCK WASHER	2
419	9120410	10-24 X 1/2 ROUND HEAD PHILLIPS MACHINE SCREW	2
420	2691941	DRIVEN GEAR, POTENTIOMETER - INCLUDES:	1
	9120170	8-32 X 3/16 SET SCREW - KNURL POINT - STEEL	2
421	2691871	HANDLE GRIP BASE	2
422	3392901	HANDLE GRIP	2
423	6495031	HANDLE BOX COVER	1
424	9120410	10-24 X 1/2 ROUND HEAD PHILLIPS MACHINE SCREW	2
425	9120320	10 SPLIT LOCK WASHER	2
426	2391941	BALL JOINT	2
427	6495011	HANDLE BAR	1
428	9122450	17/32 I.D. X 1 1/16 O.D. X .074/.121 THICK FLAT WASHER (1/2)	2
429	3392661	TORSION SPRING	1
430	5091701	RETAINING RING	3
431	2691931	DRIVE GEAR, HANDLE BAR - INCLUDES:	1
	9120170	8-32 X 3/16 SET SCREW - KNURL POINT - STEEL	2
432	9120270	8-32 X 7/8 ROUND HEAD PHILLIPS MACHINE SCREW	2
433	2694131	POTENTIOMETER, CURTIS SPEED CONTROL	1
434	9122420	1/2 SPLIT LOCK WASHER	2
435	9122530	1/2-13 X 1 HEX BOLT	2
436	9121000	1/4-20 X 5/8 TRUSS HEAD PHILLIPS MACHINE SCREW	8
437	4492803	TOP SUPPORT BRACKET	1
438	9122530	1/2-13 X 1 HEX BOLT	2
439	9122420	1/2 SPLIT LOCK WASHER	2
440	6495041	HANDLE BOX MOUNTING PLATE	1
441	6495791	ENGLISH/SPANISH OPERATION DECAL	1

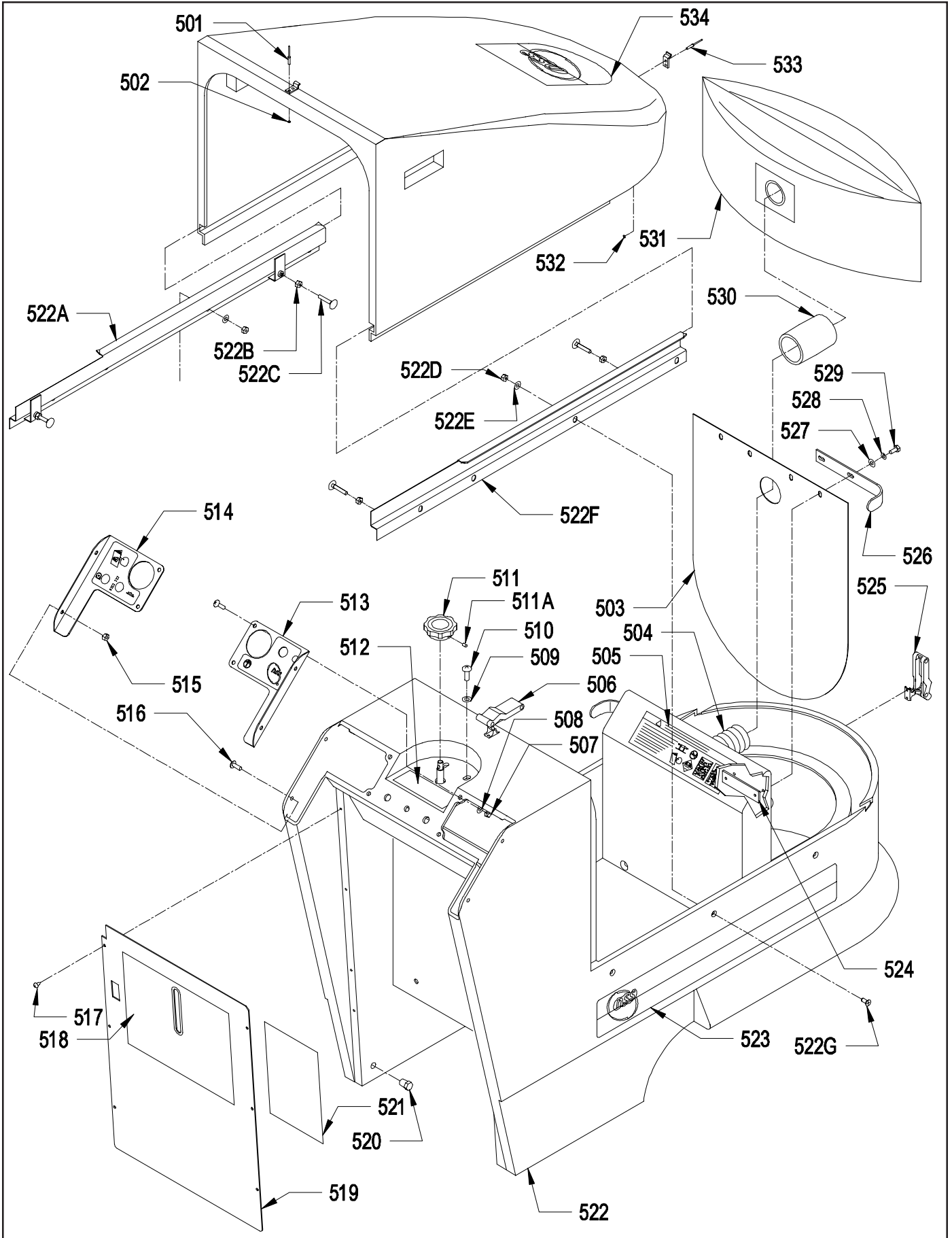
TWISTED GRIP CONTROL



HOUSING - CHARGER 2020 DB

<u>ITEM</u>	<u>PART NO</u>	<u>DESCRIPTION</u>	<u>QTY.</u>
501	9120317	5/32 X 5/8 DOME HEAD POP RIVET - STEEL	4
502	9120185	5/32 I.D. X 1/2 O.D. WASHER - STEEL - ZINC PLATE	4
503	6492261	RUBBER MOTOR COVER	1
504	3392561	VAC EXHAUST HOSE	1
505	6495301	BATTERY WARNING LABEL	1
506	6491171	SOFT DRAW LATCH WITH CONCEALED KEEPER	1
507	9120900	1/4-20 HEX NUT WITH NY-LOK INSERT	4
508	9120930	9/32 I.D. X 5/8 O.D. X .051/.080 THICK SAE FLAT WASHER (1/4)	4
509	9121400	3/8 I.D. X 7/8 O.D. X .064/.104 THICK WROUGHT WASHER (5/16)	2
510	9121480	5/16-18 X 1 ROUND HEAD PHILLIPS MACHINE SCREW	2
511	4490521	LOAD ADJUST KNOB - INCLUDES:	1
511A	9120650	10-32 X 3/4 SET SCREW	1
512	6495191	CONTROL PANEL DECAL KIT	1
513	6495161	KEY SWITCH CONTROL PANEL - RIGHT	1
514	6495181	CONTROL PANEL - LEFT	1
515	9120900	1/4-20 HEX NUT WITH NY-LOK INSERT	8
516	9121000	1/4-20 X 5/8 TRUSS HEAD PHILLIPS MACHINE SCREW	8
517	9120790	10 X 5/8 PAN HEAD PHILLIPS SHEET METAL SCREW	8
518	6495201	REAR PANEL DECAL	1
519	6495491	REAR COVER PANEL	1
520	6490951	1/4 MPT PLUG	2
521	6495211	WIRING DIAGRAM DECAL	1
522	6495081	HOUSING WITH SLIDE RAILS - INCLUDES:	1
522A	6495441	SLIDE RAIL, LEFT	1
522B	9120920	1/4-20 HEX NUT	4
522C	9121039	1/4-20 X 1 1/2 ELEVATOR BOLT - ZINC PLATED	4
522D	9120900	1/4-20 HEX NUT WITH NY-LOK INSERT	6
522E	9120930	9/32 I.D. X 5/8 O.D. X .051/.080 THICK (1/4) SAE FLAT WASHER	6
522F	6495431	SLIDE RAIL, RIGHT	1
522G	9121037	1/4-20 X 5/8 FLAT HEAD PHILLIPS MACHINE SCREW	6
523	6493061	SIDE DECAL 3.5 X 26	2
524	6491211	TAPPING PLATE	2
525	6491171	SOFT DRAW LATCH WITH CONCEALED KEEPER	1
526	6491193	HOOD STOP / SUPPORT BRACKET	2
527	9120930	9/32 I.D. X 5/8 O.D. X .051/.080 THICK (1/4) SAE FLAT WASHER	4
528	9120880	1/4 SPLIT LOCK WASHER	4
529	9121270	1/4-20 X 1 HEX BOLT	4
530	4495531	END CUFF - 2"	1
531	5796101	PAPER BAG - 5 PACK	1
	6592801	CLOTH FILTER BAG (OPTIONAL)	1
532	9120185	5/32 I.D. X 1/2 O.D. WASHER - STEEL - ZINC PLATE	4
533	9120317	5/32 X 5/8 DOME HEAD POP RIVET - STEEL	4
534	6492871	HOOD DECAL	1

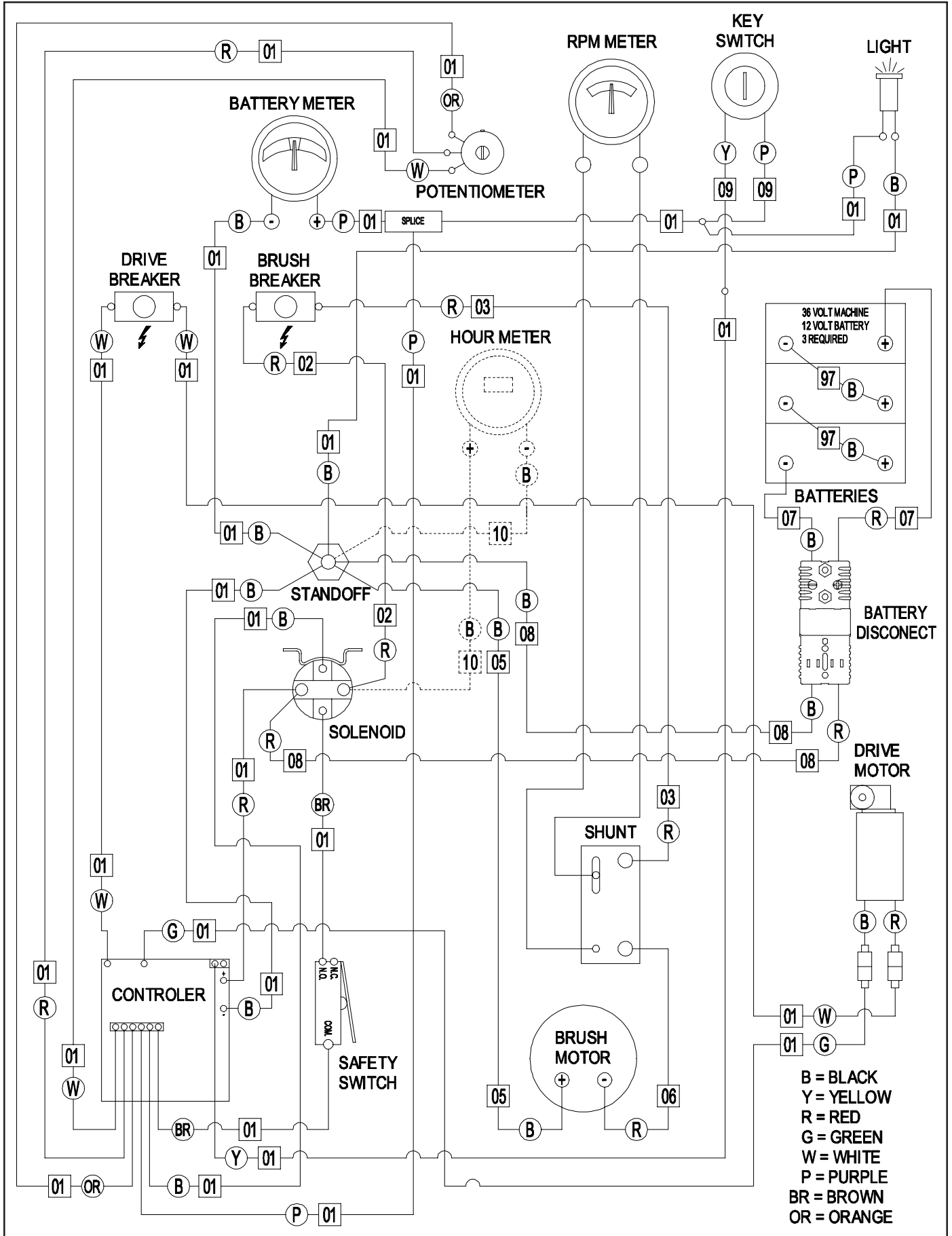
HOUSING - CHARGER 2020 DB



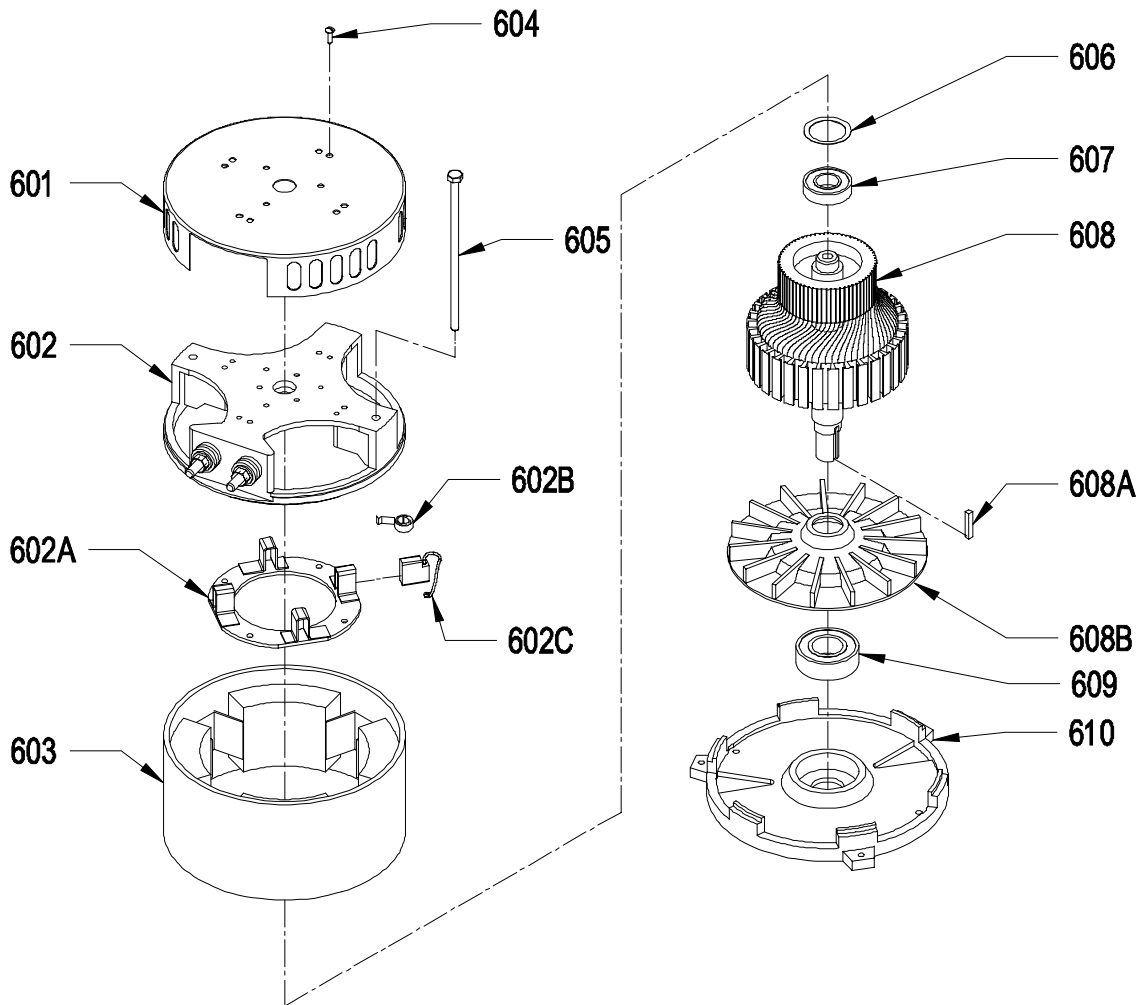
WIRING DIAGRAM - CHARGER 2020 DB

<u>ITEM</u>	<u>PART NO.</u>	<u>DESCRIPTION</u>	<u>QTY.</u>
1	6495321	WIRE HARNESS	1
2	6495331	WIRE ASSEMBLY, SOLENOID TO BRUSH BREAKER	1
3	6495341	WIRE ASSEMBLY, BRUSH BREAKER TO SHUNT	1
5	6495131	WIRE ASSEMBLY, MOTOR TO STANDOFF	1
6	6495121	WIRE ASSEMBLY, SHUNT TO MOTOR	1
7	7691661	WIRE ASSEMBLY, ANDERSON - POS./NEG. BATTERY 36 VOLT	1
8	6491831	WIRE ASSEMBLY, ANDERSON - SOLENOID / STANDOFF 36 VOLT	1
9	6495571	WIRE ASSEMBLY - KEY SWITCH ADAPTOR	1
10	6495621	HOUR METER LEADS - OPTIONAL	1
97	2391981	BATTERY JUMPER 3/8" RING #97	2
—	2392201	CIRCUIT BREAKER - 115 VOLT 10 AMP (DRIVE)	1
—	2397361	HOUR METER - OPTIONAL	1
—	2690021	SPEED CONTROL - CURTIS	1
—	2691981	INDICATOR LIGHT - GREEN LENS, 36 VOLT WITH CLIP	1
—	2694131	POTENTIOMETER - CURTIS CONTROL	1
—	4490561	INSULATED STANDOFF	1
—	4490701	CIRCUIT BREAKER - 70 AMP/ETA (BRUSH)	1
—	4491011	SOLENOID - 36 VOLT	1
—	4491031	SHUNT	1
—	4491041	RPM METER WITH HARDWARE	1
—	4491051	BATTERY METER WITH HARDWARE	1
—	4491061	BATTERY - 210 AMP/HR, 12 VOLT	3
—	4491071	SNAP SWITCH (SAFETY)	2
—	6491841	175 AMP ANDERSON WITH CONTACTS GRAY 36 VOLT	2
—	6493511	MOTOR 36 VOLT - 2000 RPM, 2.5 HP	1
—	6495291	DRIVE MOTOR 36 VOLT	1
—	9123005	1/8 X 5 1/2 WIRE TIE	5

WIRING DIAGRAM - CHARGER 2020 DB



MOTOR



<u>ITEM</u>	<u>PART NO.</u>	<u>DESCRIPTION</u>	<u>QTY.</u>
	6493511	MOTOR 2000 RPM, 36 VOLT - INCLUDES:	1
601	5991731	COMMUTATOR BRACKET COVER	1
	6493531	COMMUTATOR BRACKET ASSEMBLY - INCLUDES:	1
602	6493541	COMMUTATOR BRACKET	1
602A	6493601	BRUSH BOARD ASSEMBLY - INCLUDES:	1
602B	6493591	SPRING	2
602C	7692041	CARBON BRUSH	2
603	5991521	STATOR FRAME ASSEMBLY - WITH CLIPS AND MAGNETS	1
604	9120600	10-24 X 1/2 PAN HEAD PHILLIPS THREAD CUTTING SCREW	4
605	5991701	THRU BOLT	2
606	5991741	HELICAL WASHER - LARGE	1
607	5991551	BEARING - TOP END	1
608	6493581	ARMATURE - 2000 RPM - INCLUDES:	1
608A	9120827	3/16 SQUARE X 1 LONG KEY - STEEL	1
608B	6493571	ALUMINUM FAN	1
609	5991541	BEARING - BOTTOM END	1
610	6493551	BEARING END BRACKET	1

TROUBLE SHOOTING

PROBLEM	CAUSE	SOLUTION
Pad does not turn	Low battery charge. Loose battery cable.	Recharge batteries. Tighten & clamp battery cables.
	Circuit breaker has tripped.	Reduce pad pressure/change pad reset breaker.
	Worn motor carbon brushes.	Change carbon brushes.
	Pad load adjustment knob out of adjustment.	Adjust knob until motor will turn on.
	Micro-switch not engaged.	Adjust mounting bracket.
Machine pushes hard	Worn wheel or caster.	Grease wheels or replace.
Uneven floor buffing	Worn pad.	Change pad.
	Motor out of alignment.	Call NSS service center for repair.
Machine vibrates	Pad is torn or not centered.	Center pad. Change pad. Use correct pad. Check pad driver for damage & replace if necessary.
Circuit breaker trips	Pad pressure too heavy.	Reduce pad pressure. Run machine in green area of AMP meter.
	Spray buffing.	Do not spray buff with Charger 2020 DB.
	Pad rubbing on flexiwall shield	Realign pad on driver or replace with new pad. Check pad size.
Short running time on battery charge	Dead cell in battery Excessive pad pressure. Incorrect pad.	Test batteries and replace. Reduce pad pressure. Use NSS pads or recommended equivalent.
Battery charger does not turn on	Connection not made between battery charger and machine	Check anderson connectors for proper contact on both charger and machine.
	Improper charger sequence.	Read instructions on battery charger or in instruction manual.



NSS® Enterprises, Inc.

3115 Frenchmens Road, Toledo, Ohio 43607
PHONE (419) 531-2121 FAX (419) 531-3761

NSS® Enterprises, Inc. European Distribution Centre
Unit II, Pinfold Trading Estate * 55 Nottingham Road
STAPLEFORD, NOTTINGHAM NG9 8AD ENGLAND U.K.
PHONE: (44) 0115 939 1568 * FAX: (44) 0115 949 0615