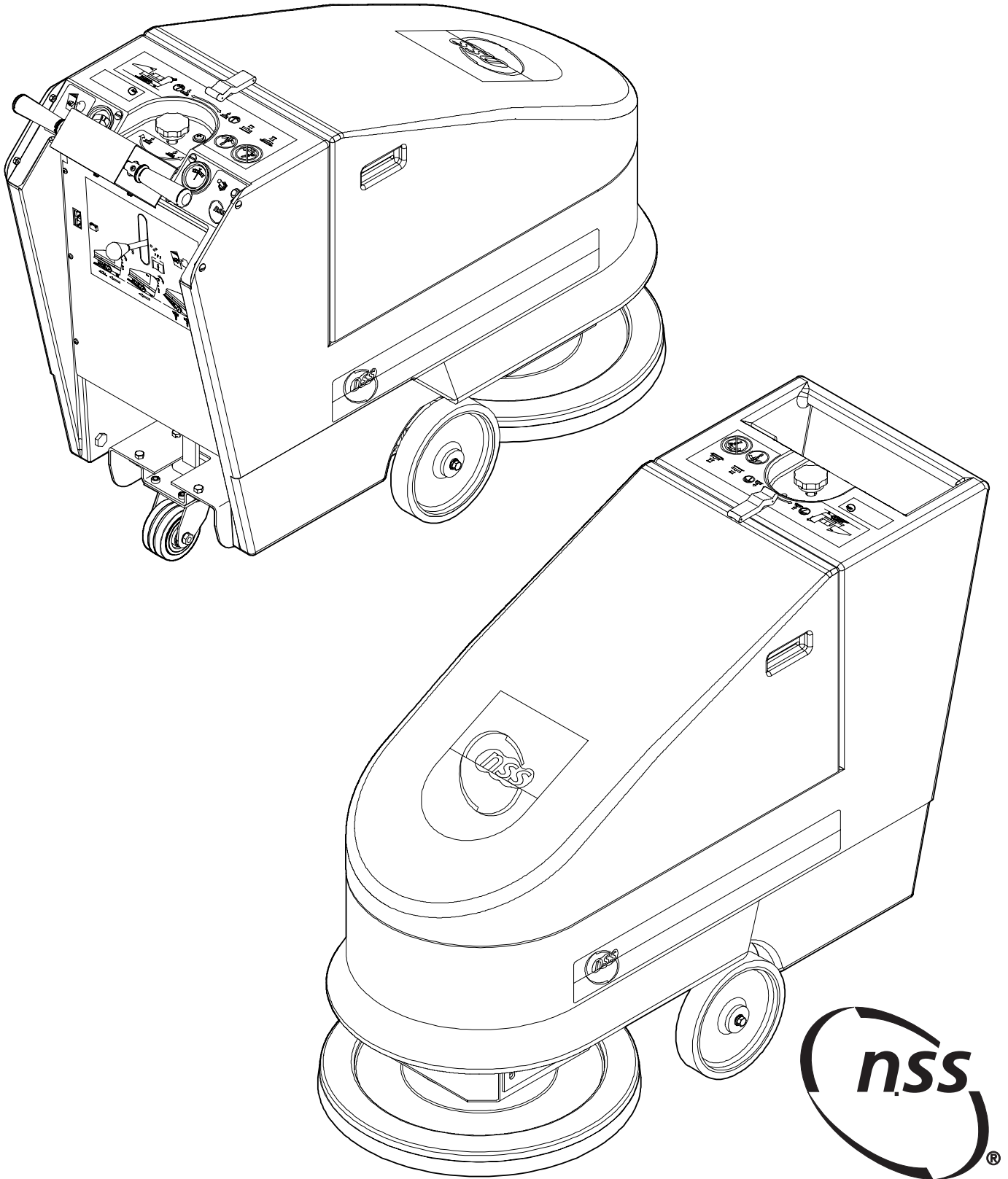


PARTS LIST

CHARGER 2025 AB

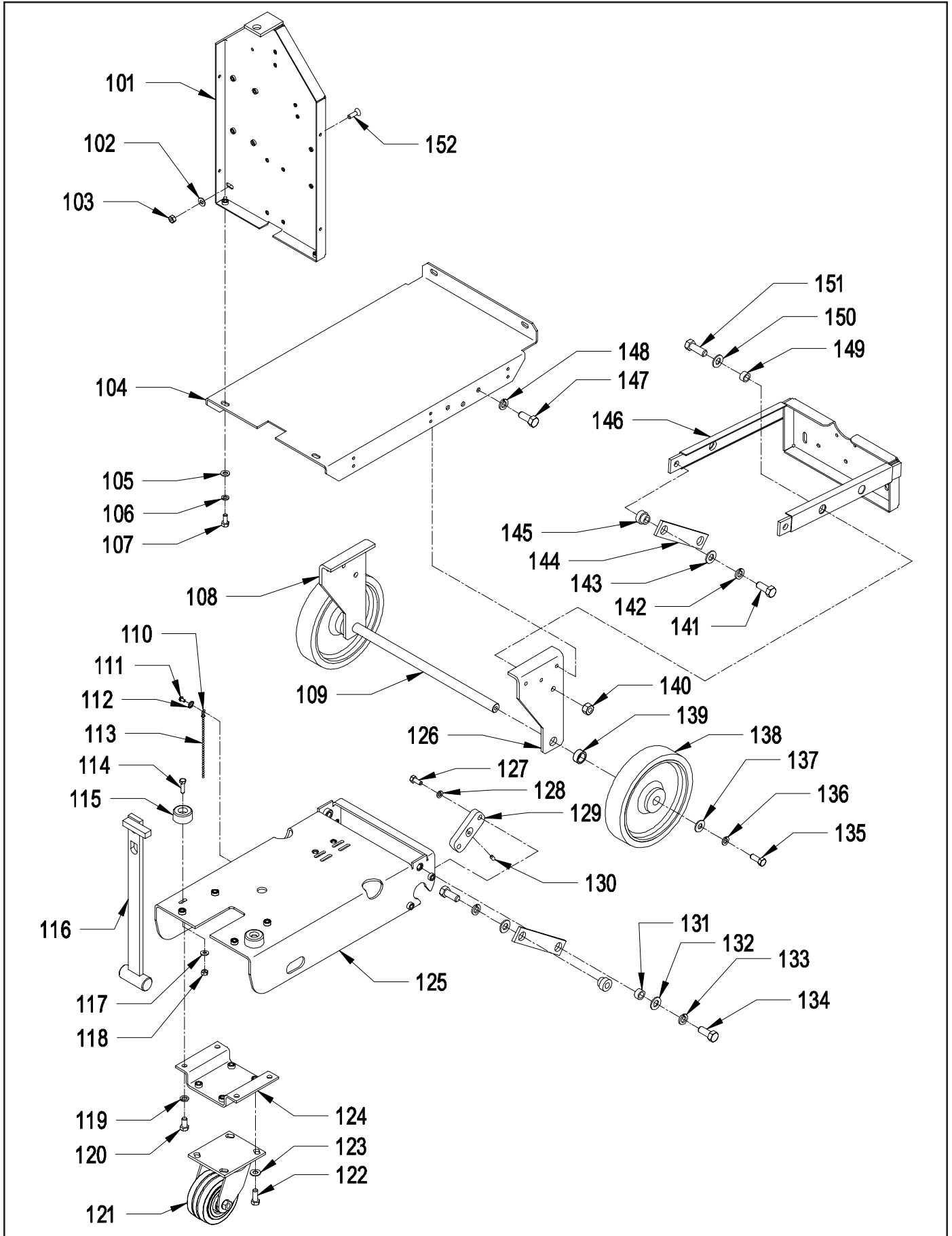
CHARGER 2025 DB



BASE - CHARGER 2025 AB

<u>ITEM</u>	<u>PART NO.</u>	<u>DESCRIPTION</u>	<u>QTY.</u>
101	6495511	CONTROL FRAME WELDMENT	1
102	9121390	11/32 I.D. X 11/16 O.D. X .051/.080 THICK SAE FLAT WASHER (5/16)	2
103	9121450	5/16-18 HEX NUT WITH NY-LOK INSERT	2
104	6495071	BASE PLATE	1
105	9121390	11/32 I.D. X 11/16 O.D. X .051/.080 THICK SAE FLAT WASHER (5/16)	2
106	9121520	5/16 SPLIT LOCK WASHER	2
107	9121640	5/16-18 X 3/4 HEX BOLT	2
108	6495241	BASE LEG CHARGER - LEFT	1
109	4492546	AXLE	1
110	6491871	END COUPLING ROUND BEAD CHAIN	1
111	9120380	10-24 X 3/8 ROUND HEAD PHILLIPS MACHINE SCREW	1
112	9120330	10 EXTERNAL STAR LOCK WASHER	1
113	6491860	ROUND BEAD CHAIN (CUT LENGTH 6")	.5'
114	9121270	1/4-20 X 1 HEX BOLT	2
115	4894461	RUBBER STOP	2
116	6490701	CATCH ASSEMBLY	1
117	9120930	9/32 I.D. X 5/8 O.D. X .051/.080 THICK SAE FLAT WASHER (1/4)	2
118	9120900	1/4-20 HEX NUT WITH NY-LOK INSERT	2
119	9122100	3/8 SPLIT LOCK WASHER	4
120	9122220	3/8-16 X 3/4 HEX BOLT	4
121	6492061	RED 4 INCH CASTER - INCLUDES:	1
	4490391	CASTER WHEEL WITH BEARING	1
122	9122260	3/8-16 X 1 HEX BOLT	4
123	9122100	3/8 SPLIT LOCK WASHER	4
124	6495141	CASTER MOUNT	1
125	6495151	FRAME	1
126	6495231	BASE LEG CHARGER - RIGHT	1
127	9122260	3/8-16 X 1 HEX BOLT	4
128	9122100	3/8 SPLIT LOCK WASHER	4
129	6495271	AXLE BLOCK	2
130	9120637	1/4-20 X 1/4 SET SCREW - CUP POINT	2
131	4492791	BUSHING, PIVOT	2
132	9122450	17/32 I.D. X 1 1/16 O.D. X .074/.121 THICK SAE FLAT WASHER (1/2)	2
133	9122420	1/2 SPLIT LOCK WASHER	2
134	9122540	1/2-13 X 1 1/4 HEX BOLT	2
135	9122260	3/8-16 X 1 HEX BOLT	2
136	9122100	3/8 SPLIT LOCK WASHER	2
137	9122180	13/32 I.D. X 13/16 O.D. X .051/.080 THICK WROUGHT WASHER (3/8)	2
138	4490511	WHEEL - 8"	2
139	4492921	WHEEL SPACER	2
140	9122495	1/2-13 HEX NUT WITH NY-LOK INSERT - THIN	2
141	9122540	1/2-13 X 1 1/4 HEX BOLT	2
142	9122420	1/2 SPLIT LOCK WASHER	2
143	9122450	17/32 I.D. X 1 1/16 O.D. X .074/.121 THICK SAE FLAT WASHER (1/2)	2
144	6490691	LIFT ARM	2
145	4495141	LIFT ARM SPACER	2
146	6495501	PIVOT WELDMENT	1
147	9122220	3/8-16 X 3/4 HEX BOLT	6
148	9122100	3/8 SPLIT LOCK WASHER	6
149	4492791	BUSHING, PIVOT	2
150	9122450	17/32 I.D. X 1 1/16 O.D. X .074/.121 THICK SAE FLAT WASHER (1/2)	2
151	9122540	1/2-13 X 1 1/4 HEX BOLT	2
152	9121470	5/16-18 X 1 FLAT HEAD PHILLIPS MACHINE SCREW	4

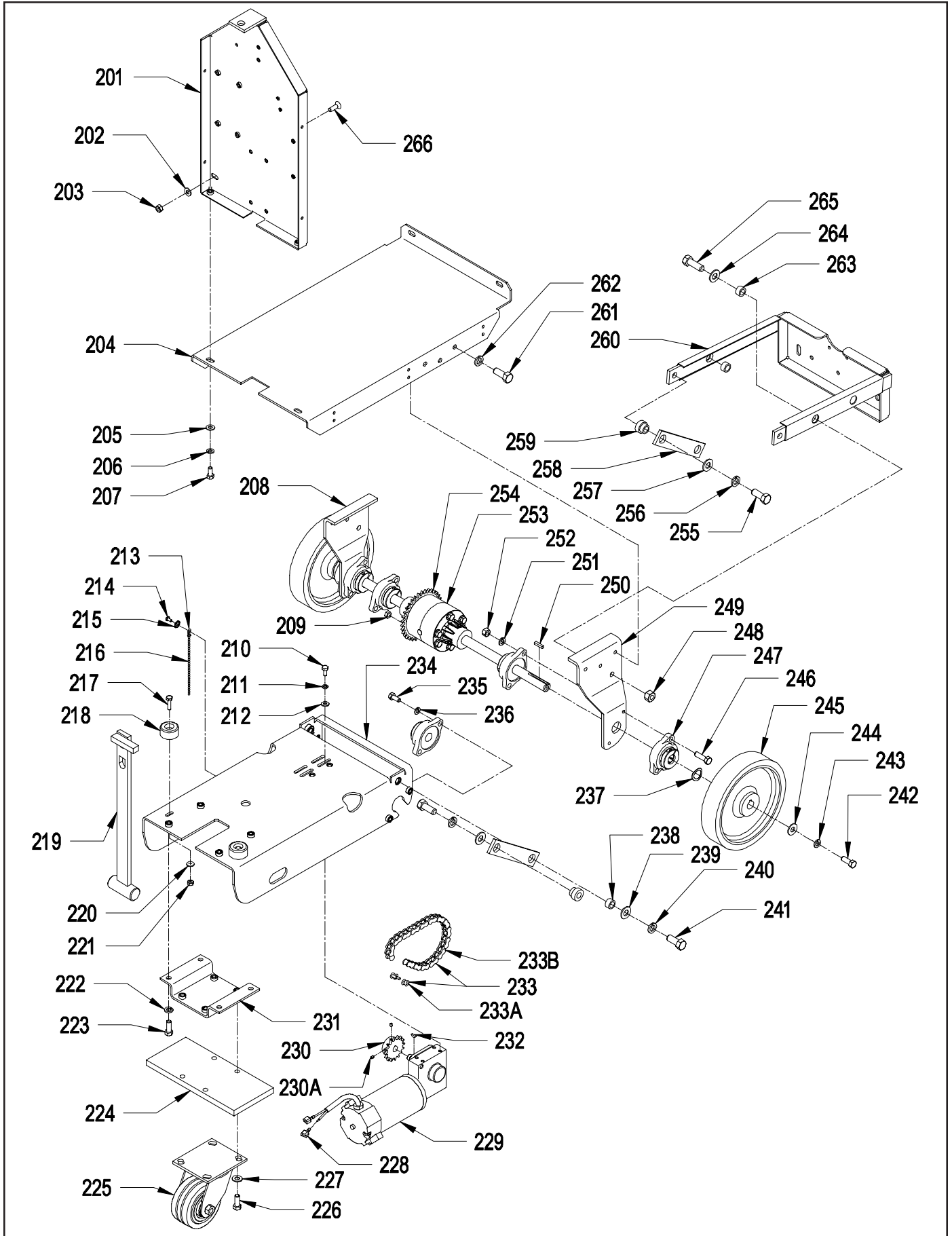
BASE - CHARGER 2025 AB



BASE - CHARGER 2025 DB

<u>ITEM</u>	<u>PART NO.</u>	<u>DESCRIPTION</u>	<u>QTY.</u>
201	6495511	CONTROL FRAME WELDMENT	1
202	9121390	11/32 I.D. X 11/16 O.D. X .051/.080 THICK SAE FLAT WASHER (5/16)	2
203	9121450	5/16-18 HEX NUT WITH NY-LOK INSERT	2
204	6495071	BASE PLATE	1
205	9121390	11/32 I.D. X 11/16 O.D. X .051/.080 THICK SAE FLAT WASHER (5/16)	2
206	9121520	5/16 SPLIT LOCK WASHER	2
207	9121640	5/16-18 X 3/4 HEX BOLT	2
208	6495261	BASE LEG CHARGER WHEEL DRIVE - LEFT	1
209	9121450	5/16-18 HEX NUT WITH NY-LOK INSERT	4
210	9121210	1/4-20 X 5/8 HEX BOLT	4
211	9120880	1/4 SPLIT LOCK WASHER	4
212	9120930	9/32 I.D. X 5/8 O.D. X .051/.080 THICK SAE FLAT WASHER (1/4)	4
213	6491871	END COUPLING ROUND BEAD CHAIN	1
214	9120380	10-24 X 3/8 ROUND HEAD PHILLIPS MACHINE SCREW	1
215	9120330	10 EXTERNAL STAR LOCK WASHER	1
216	6491860	ROUND BEAD CHAIN (CUT LENGTH 6")	.5'
217	9121270	1/4-20 X 1 HEX BOLT	2
218	4894461	RUBBER STOP	2
219	6490701	CATCH ASSEMBLY	1
220	9120930	9/32 I.D. X 5/8 O.D. X .051/.080 THICK SAE FLAT WASHER (1/4)	2
221	9120900	1/4-20 HEX NUT WITH NY-LOK INSERT	2
222	9122100	3/8 SPLIT LOCK WASHER	4
223	9122220	3/8-16 X 3/4 HEX BOLT	4
224	6495461	CASTER BLOCK	1
225	6492061	RED 4 INCH CASTER	1
	4490391	CASTER WHEEL WITH BEARING	1
226	9122260	3/8-16 X 1 HEX BOLT	4
227	9122180	13/32 I.D. X 13/16 O.D. X .051/.080 THICK WROUGHT WASHER (3/8)	4
228	5490171	FULLY INSULATED MALE TERMINAL 14-16 GAGE	2
229	6495291	DRIVE MOTOR 36 VOLT	1
230	6495531	SPROCKET 40BS12H	1
230A	9120637	10-24 X 1/4 SET SCREW - CUP POINT	2
231	6495141	CASTER MOUNT	1
232	9120013	1/8 SQUARE X 1/2 LONG WOODRUFF KEY - STEEL	1
233	6495569	#40 ROLLER CHAIN 33 LINKS + MASTER - INCLUDES:	1
233A	2795211	LINK - MASTER #40 CHAIN	1
233B	6495541	#40 ROLLER CHAIN 33 LINKS NO MASTER	1
234	6495151	FRAME	1
235	9122220	3/8-16 X 3/4 HEX BOLT	4
236	9122100	3/8 SPLIT LOCK WASHER	4
237	9223105	3/4 I.D. X 1 1/4 O.D. X .071/.082 THICK FLAT WASHER (11 GAUGE)	2
238	4492791	BUSHING, PIVOT	2
239	9122450	17/32 I.D. X 1 1/16 O.D. X .074/.121 THICK SAE FLAT WASHER (1/2)	2
240	9122420	1/2 SPLIT LOCK WASHER	2
241	9122540	1/2-13 X 1 1/4 HEX BOLT	2
242	9121640	5/16-18 X 3/4 HEX BOLT	2
243	9121520	5/16 SPLIT LOCK WASHER	2
244	9121985	13/32 I.D. X 1 O.D. X .12 THICK FLAT WASHER (11 GAGE)	2
245	6495391	DRIVE WHEEL 9 X 1 5/8	2
246	9122075	3/8-16 X 1 1/2 HEX BOLT	4
247	6495061	PILLOW BLOCK BEARING WITH GRIP-IT BEARING RING	6
248	9122495	1/2-13 HEX NUT WITH NY-LOK INSERT - THIN	2
249	6495251	BASE LEG CHARGER WHEEL DRIVE - RIGHT	1
250	9120825	3/16 SQUARE X 7/8 LONG KEY - STEEL	2
251	9122100	3/8 SPLIT LOCK WASHER	4
252	9121990	3/8-16 HEX JAM NUT	4
253	6495101	DIFFERENTIAL - SHORT	1
254	6495521	SPROCKET 40A26	1
255	9122540	1/2-13 X 1 1/4 HEX BOLT	2
256	9122420	1/2 SPLIT LOCK WASHER	2
257	9122450	17/32 I.D. X 1 1/16 O.D. X .074/.121 THICK SAE FLAT WASHER (1/2)	2
258	6490691	LIFT ARM	2
259	4495141	LIFT ARM SPACER	2
260	6495501	PIVOT WELDMENT	1
261	9122220	3/8-16 X 3/4 HEX BOLT	6
262	9122100	3/8 SPLIT LOCK WASHER	6
263	4492791	BUSHING, PIVOT	2
264	9122450	17/32 I.D. X 1 1/16 O.D. X .074/.121 THICK SAE FLAT WASHER (1/2)	2
265	9122540	1/2-13 X 1 1/4 HEX BOLT	2
266	9121470	5/16-18 X 1 FLAT HEAD PHILLIPS MACHINE SCREW	4

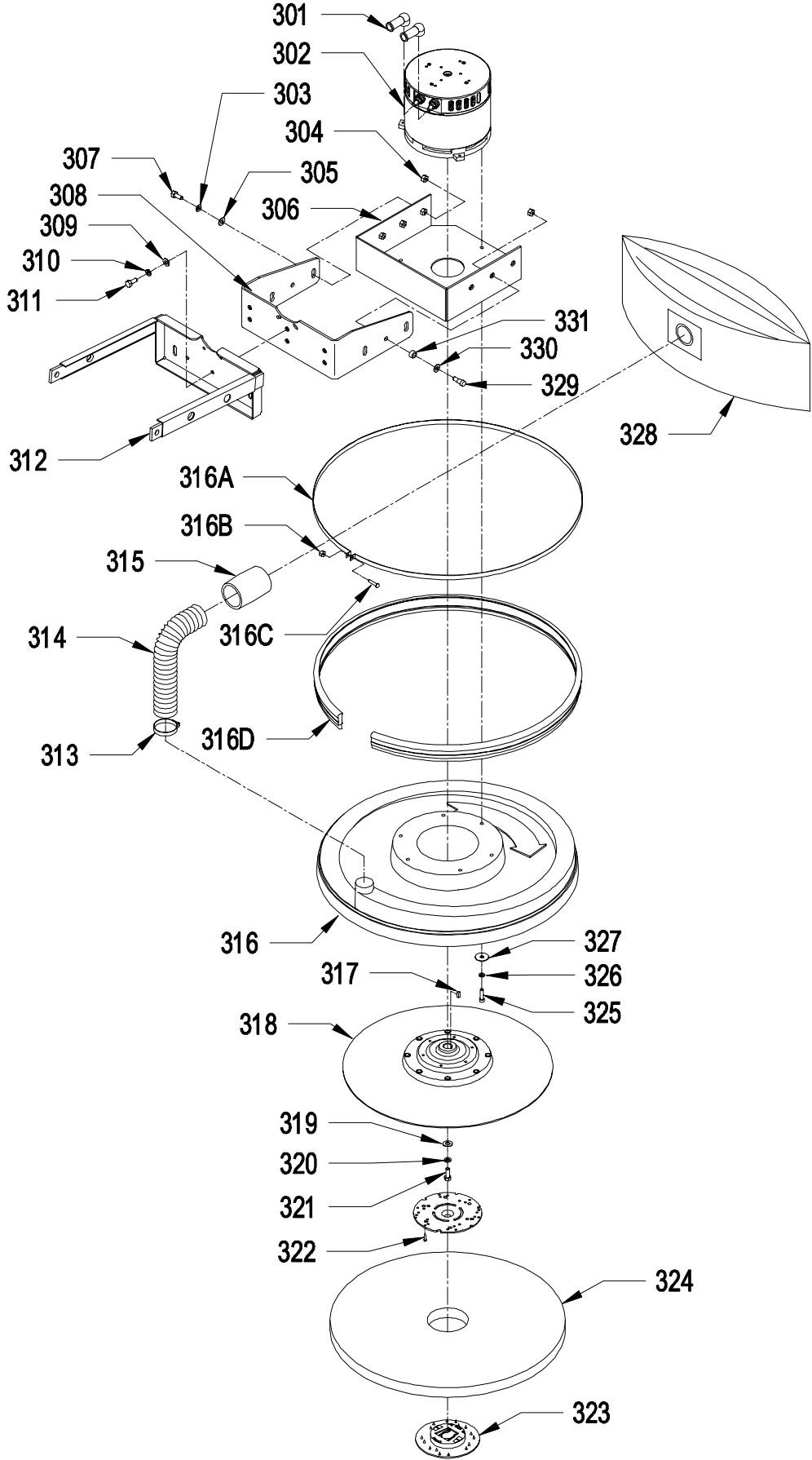
BASE - CHARGER 2025 DB



SHIELD AND PAD DRIVER

ITEM	PART NO.	DESCRIPTION	QTY.
301	6492051	STUD TERMINAL BOOT - RUBBER	2
302	6493521	MOTOR 36 VOLT	1
303	9121520	5/16 SPLIT LOCK WASHER – AB MODEL ONLY	6
304	9121430	5/16-18 THIN HEX NUT WITH NY-LOK INSERT	6
305	9121400	3/8 I.D. X 7/8 O.D. X .064/.104 THICK WROUGHT WASHER	4
306	4492663	MOTOR MOUNT	1
307	9121680	5/16-18 X 1 HEX BOLT - AB MODEL ONLY	4
308	6492163	PIVOT FORK - CHARGER 2025 AB	1
	6495601	MOTOR MOUNT MOUNTING FORK - CHARGER 2025 DB	1
309	9121390	11/32 I.D. X 11/16 O.D. X .051/.080 THICK SAE FLAT WASHER (5/16)	3
310	9121520	5/16 SPLIT LOCK WASHER	3
311	9121640	5/16-18 X 3/4 HEX BOLT	3
312	6495501	PIVOT WELDMENT	1
313	4495441	HOSE CLAMP, 1 9/16" - 2 1/2" DIAMETER	1
314	3392561	VAC EXHAUST HOSE	1
315	4495531	END CUFF - 2"	1
316	6490729	CW-FLEXIWALL SHIELD ASSEMBLY - INCLUDES:	1
316A	6490732	BUMPER STRAP	1
316B	9120350	10-24 HEX NUT WITH NY-LOK INSERT	1
316C	9120450	10-24 X 1 ROUND HEAD PHILLIPS MACHINE SCREW	1
316D	6490191	BUMPER / BRUSH	1
317	9120815	3/16 SQUARE X 1/2 LONG KEY - STEEL	1
318	6492568	PAD DRIVER - 20" ASSEMBLED & BALANCED	1
319	9121985	13/32 I.D. X 1 O.D. X .12 THICK FLAT WASHER (11 GAGE)	1
320	9121520	5/16 SPLIT LOCK WASHER	1
321	9121490	5/16-24 X 7/8 HEX BOLT	1
323	5990731	SPRING CLIP PAD HOLDER SET - INCLUDES:	1
322	9120810	10 X 1/2 PAN HEAD PHILLIPS SHEET METAL SCREW	3
324	6492001	20" LUST LITE BURNISH PAD - CASE (5)	1
325	9120980	1/4-20 X 1 SOCKET HEAD CAP SCREW	3
326	9120880	1/4 SPLIT LOCK WASHER	3
327	9120950	1/4 X 1 1/4 FENDER WASHER	3
328	5796101	PAPER BAG - 5 PACK	1
	6592801	VAC TRAC COLLECTION BAG - OPTIONAL	1
329	9122020	3/8 DIAMETER X 3/8 LONG SOCKET HEAD SHOULDER BOLT (5/16-18) (QTY. 6 ON DB MODEL)	2
330	9121400	3/8 I.D. X 7/8 O.D. X .064/.104 THICK WROUGHT WASHER	2
331	2691181	PIVOT SPACER - AB MODEL ONLY	2

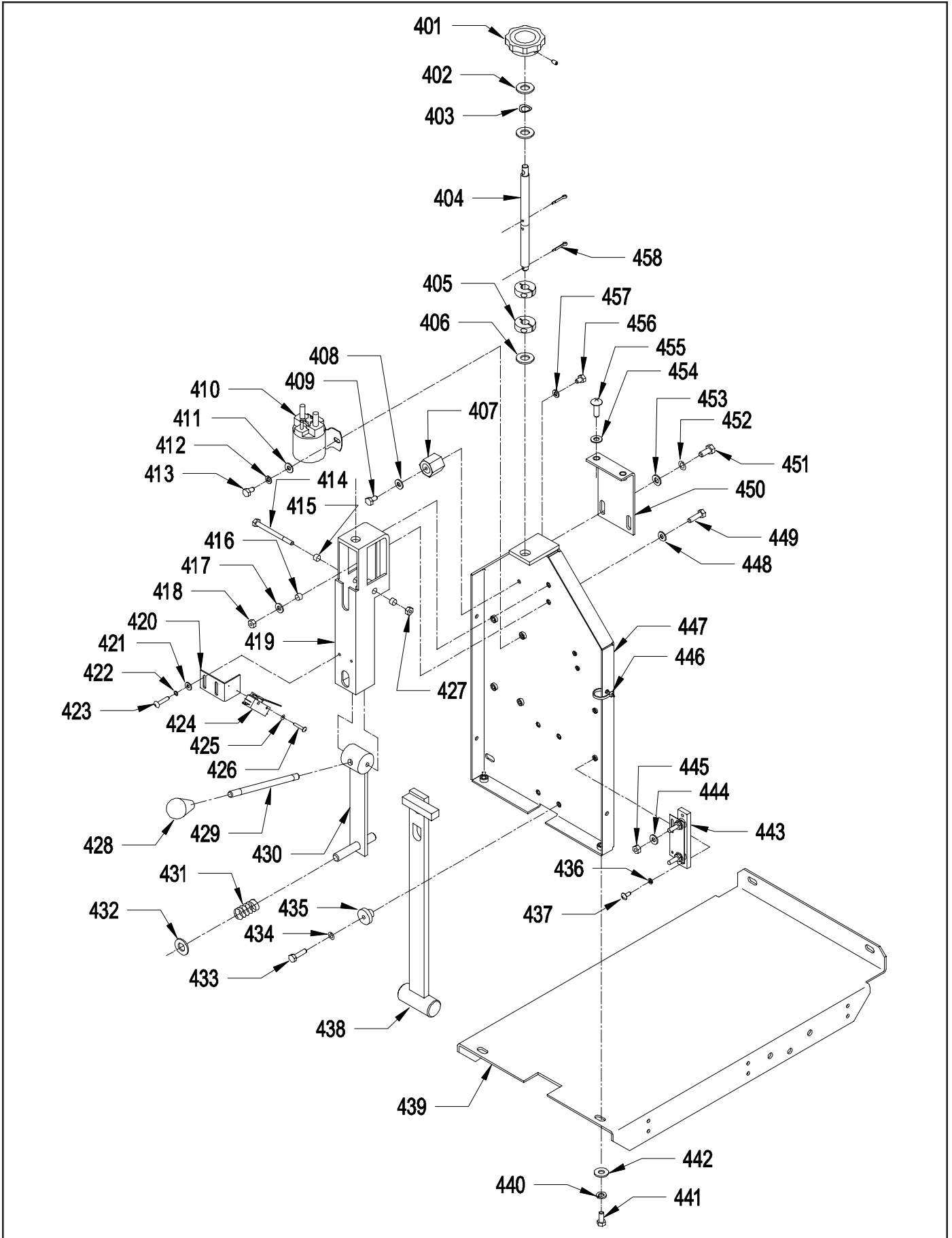
SHIELD AND PAD DRIVER



CONTROL FRAME - CHARGER 2025 AB

ITEM	PART NO.	DESCRIPTION	QTY.
401	4490521	LOAD ADJUST KNOB (INCLUDES SET SCREW)	1
402	9122450	17/32 I.D. X 1 1/16 O.D. X .074/.121 THICK SAE FLAT WASHER (1/2)	2
403	9122705	1/2 I.D. X 3/4 O.D. X .01 THICK 1 WAVE SPRING WASHER (1/2)	1
404	6490611	ADJUSTMENT ROD	1
405	6490621	ADJUSTMENT ROD COLLAR	2
406	9122180	13/32 I.D. X 13/16 O.D. X .051/.080 THICK SAE FLAT WASHER (3/8)	1
407	4490561	INSULATED STANDOFF	1
408	9120970	1/4 EXTERNAL STAR LOCK WASHER	1
409	9121210	1/4-20 X 5/8 HEX BOLT	1
410	4491011	SOLENOID, 36 VOLT	1
411	9120930	9/32 I.D. X 5/8 O.D. X .051/.080 THICK SAE FLAT WASHER (1/4)	2
412	9120880	1/4 SPLIT LOCK WASHER	2
413	9121170	1/4-20 X 1/2 HEX BOLT	2
414	9121287	1/4-20 X 2 1/2 HEX BOLT - STEEL	1
415	2791281	BUSHING SPACER	2
416	2791281	BUSHING SPACER	2
417	9120930	9/32 I.D. X 5/8 O.D. X .051/.080 THICK SAE FLAT WASHER (1/4)	2
418	9120900	1/4-20 HEX NUT WITH NY-LOK INSERT	2
419	6490601	ADJUSTMENT BRACKET	1
420	4495326	SWITCH BRACKET	1
421	9120370	7/32 I.D. X 1/2 O.D. X .032/.065 THICK SAE FLAT WASHER (10)	2
422	9120320	10 SPLIT LOCK WASHER	2
423	9120460	10-24 X 1 1/4 ROUND HEAD PHILLIPS MACHINE SCREW	2
424	4491071	SNAP SWITCH	1
425	9120130	6 EXTERNAL STAR LOCK WASHER	2
426	9120090	6-32 X 7/8 PAN HEAD PHILLIPS MACHINE SCREW	2
427	9120900	1/4-20 HEX NUT WITH NY-LOK INSERT	2
428	4490601	KNOB, RAISE / LOWER ROD	1
429	6490101	LATCH HANDLE	1
430	6490093	LATCH ASSEMBLY	1
431	4490631	COMPRESSION SPRING	1
432	9122450	17/32 I.D. X 1 1/16 O.D. X .074/.121 THICK SAE FLAT WASHER (1/2)	2
433	9121270	1/4-20 X 1 HEX BOLT	4
434	9120880	1/4 SPLIT LOCK WASHER	4
435	4495351	SPACER GUIDE	4
436	9120320	10 SPLIT LOCK WASHER	2
437	9120410	10-24 X 1/2 ROUND HEAD PHILLIPS MACHINE SCREW	2
438	6490701	CATCH ASSEMBLY	1
439	6495071	BASE PLATE	1
440	9121520	5/16 SPLIT LOCK WASHER	2
441	9121640	5/16-18 X 3/4 HEX BOLT	2
442	9121390	11/32 I.D. X 11/16 O.D. X .051/.080 THICK SAE FLAT WASHER (5/16)	2
443	4491031	SHUNT	1
444	9120971	1/4 EXTERNAL STAR LOCK WASHER	2
445	9120920	1/4-20 HEX NUT	2
446	9123005	1/8 X 5 1/2 WIRE TIE	4
447	6495511	CONTROL FRAME WELDMENT	1
448	9120970	1/4 EXTERNAL STAR LOCK WASHER	2
449	9121270	1/4-20 X 1 HEX BOLT	2
450	4492803	TOP SUPPORT BRACKET	1
451	9121640	5/16-18 X 3/4 HEX BOLT	2
452	9121520	5/16 SPLIT LOCK WASHER	2
453	9121390	11/32 I.D. X 11/16 O.D. X .051/.080 THICK SAE FLAT WASHER (5/16)	2
454	9121400	3/8 I.D. X 7/8 O.D. X .064/.104 THICK WROUGHT WASHER (5/16)	2
455	9121480	5/16-18 X 1 ROUND HEAD PHILLIPS MACHINE SCREW	2
456	9121160	1/4-20 X 3/8 HEX BOLT	1
457	9120880	1/4 SPLIT LOCK WASHER	4
458	9120310	1/8 X 3/4 COTTER PIN	3

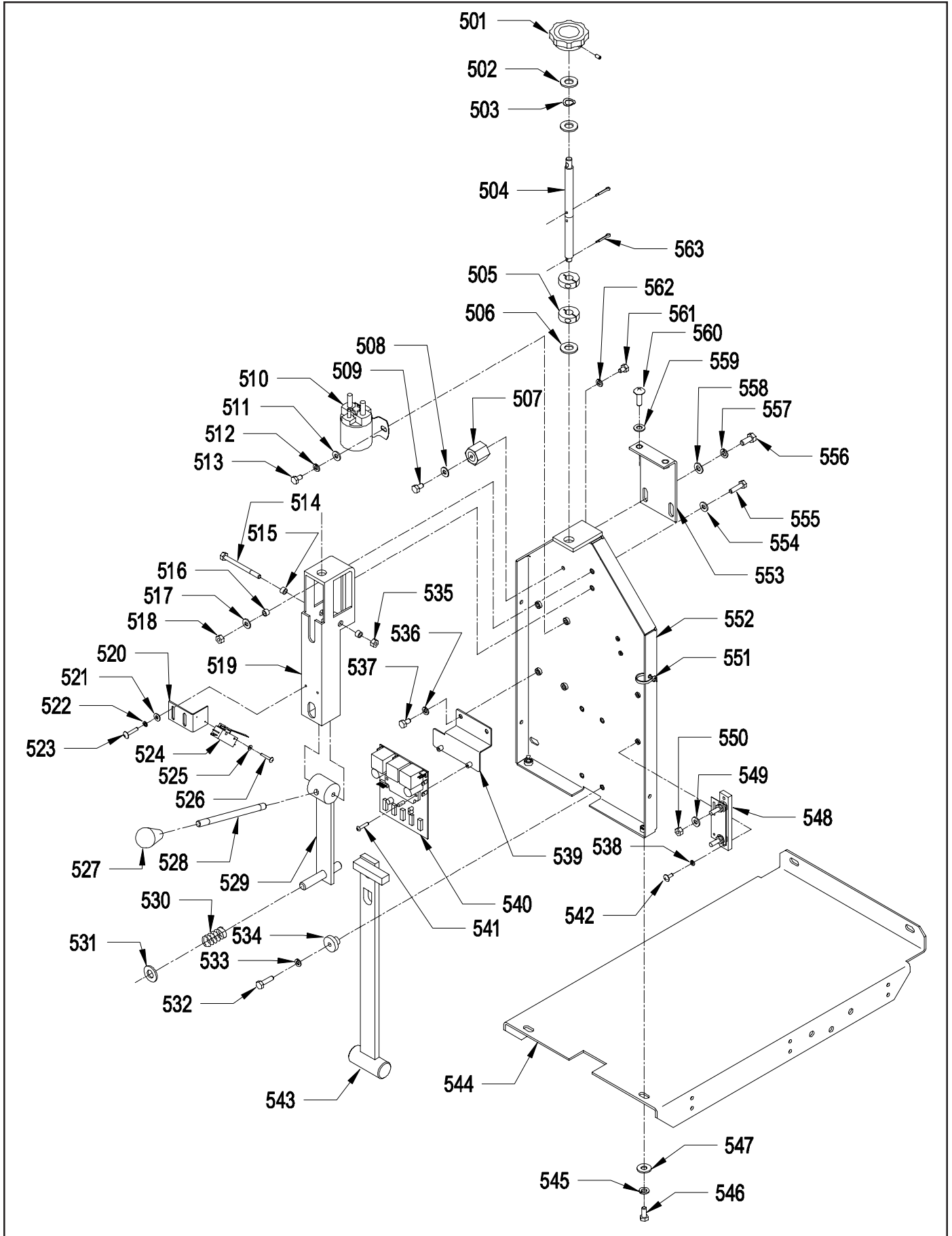
CONTROL FRAME - CHARGER 2025 AB



CONTROL FRAME - CHARGER 2025 DB

<u>ITEM</u>	<u>PART NO.</u>	<u>DESCRIPTION</u>	<u>QTY.</u>
501	4490521	LOAD ADJUST KNOB (INCLUDES SET SCREW)	1
502	9122450	17/32 I.D. X 1 1/16 O.D. X .074/.121 THICK SAE FLAT WASHER	2
503	9122705	1/2 I.D. X 3/4 O.D. X .01 THICK 1 WAVE SPRING WASHER (1/2)	1
504	6490611	ADJUSTMENT ROD	1
505	6490621	ADJUSTMENT ROD COLLAR	2
506	9122180	13/32 I.D. X 13/16 O.D. X .051/.080 THICK WROUGHT WASHER	1
507	4490561	INSULATED STANDOFF	1
508	9120970	1/4 EXTERNAL STAR LOCK WASHER	1
509	9121210	1/4-20 X 5/8 HEX BOLT	1
510	4491011	SOLENOID, 36 VOLT	1
511	9120930	9/32 I.D. X 5/8 O.D. X .051/.080 THICK SAE FLAT WASHER (1/4)	2
512	9120880	1/4 SPLIT LOCK WASHER	2
513	9121170	1/4-20 X 1/2 HEX BOLT	2
514	9121287	1/4-20 X 2 1/2 HEX HEAD BOLT - STEEL	1
515	2791281	BUSHING SPACER	2
516	2791281	BUSHING SPACER	2
517	9120930	9/32 I.D. X 5/8 O.D. X .051/.080 THICK SAE FLAT WASHER (1/4)	2
518	9120900	1/4-20 HEX NUT WITH NY-LOK INSERT	2
519	6490601	ADJUSTMENT BRACKET WELDMENT	1
520	4495326	SWITCH BRACKET	1
521	9120370	7/32 I.D. X 1/2 O.D. X .032/.065 THICK SAE FLAT WASHER (#10)	2
522	9120320	10 SPLIT LOCK WASHER	2
523	9120460	10-24 X 1 1/4 ROUND HEAD PHILLIPS MACHINE SCREW	2
524	4491071	SNAP SWITCH	1
525	9120130	6 EXTERNAL STAR LOCK WASHER	2
526	9120090	6-32 X 7/8 PAN HEAD PHILLIPS MACHINE SCREW	2
527	4490601	KNOB, RAISE / LOWER ROD	1
528	6490101	LATCH HANDLE	1
529	6490093	LATCH ASSEMBLY	1
530	4490631	COMPRESSION SPRING	1
531	9122450	17/32 I.D. X 1 1/16 O.D. X .074/.121 THICK SAE FLAT WASHER	1
532	9121270	1/4-20 X 1 HEX BOLT	4
533	9120880	1/4 SPLIT LOCK WASHER	4
534	4495351	SPACER GUIDE	4
535	9120900	1/4-20 HEX NUT WITH NY-LOK INSERT	1
536	9120880	1/4 SPLIT LOCK WASHER	2
537	9121170	1/4-20 X 1/2 HEX BOLT	2
538	9120320	10 SPLIT LOCK WASHER	2
539	6492473	SPEED CONTROL MOUNTING BRACKET	1
540	2690021	SPEED CONTROL, CURTIS	1
541	9120260	8-32 X 3/4 ROUND HEAD PHILLIPS MACHINE SCREW	2
542	9120410	10-24 X 1/2 ROUND HEAD PHILLIPS MACHINE SCREW	2
543	6490701	CATCH ASSEMBLY	1
544	6495071	BASE PLATE	1
545	9121520	5/16 SPLIT LOCK WASHER	2
546	9121640	5/16-18 X 3/4 HEX BOLT	2
547	9121390	11/32 I.D. X 11/16 O.D. X .051/.080 THICK SAE FLAT WASHER (5/16)	2
548	4491031	SHUNT	1
549	9120970	1/4 EXTERNAL STAR LOCK WASHER	2
550	9120920	1/4-20 HEX NUT	2
551	9123005	1/8 X 5 1/2 WIRE TIE	4
552	6495511	CONTROL FRAME WELDMENT	1
553	4492803	TOP SUPPORT BRACKET	1
554	9120970	1/4 EXTERNAL STAR LOCK WASHER	2
555	9121270	1/4-20 X 1 HEX BOLT	2
556	9121640	5/16-18 X 3/4 HEX BOLT	2
557	9121520	5/16 SPLIT LOCK WASHER	2
558	9121390	11/32 I.D. X 11/16 O.D. X .051/.080 THICK SAE FLAT WASHER (5/16)	2
559	9121400	3/8 I.D. X 7/8 O.D. X .064/.104 THICK WROUGHT WASHER (5/16)	2
560	9121480	5/16-18 X 1 ROUND HEAD PHILLIPS MACHINE SCREW	2
561	9121170	1/4-20 X 1/2 HEX BOLT	1
562	9120880	1/4 SPLIT LOCK WASHER	1
563	9120310	1/8 X 3/4 COTTER PIN	3

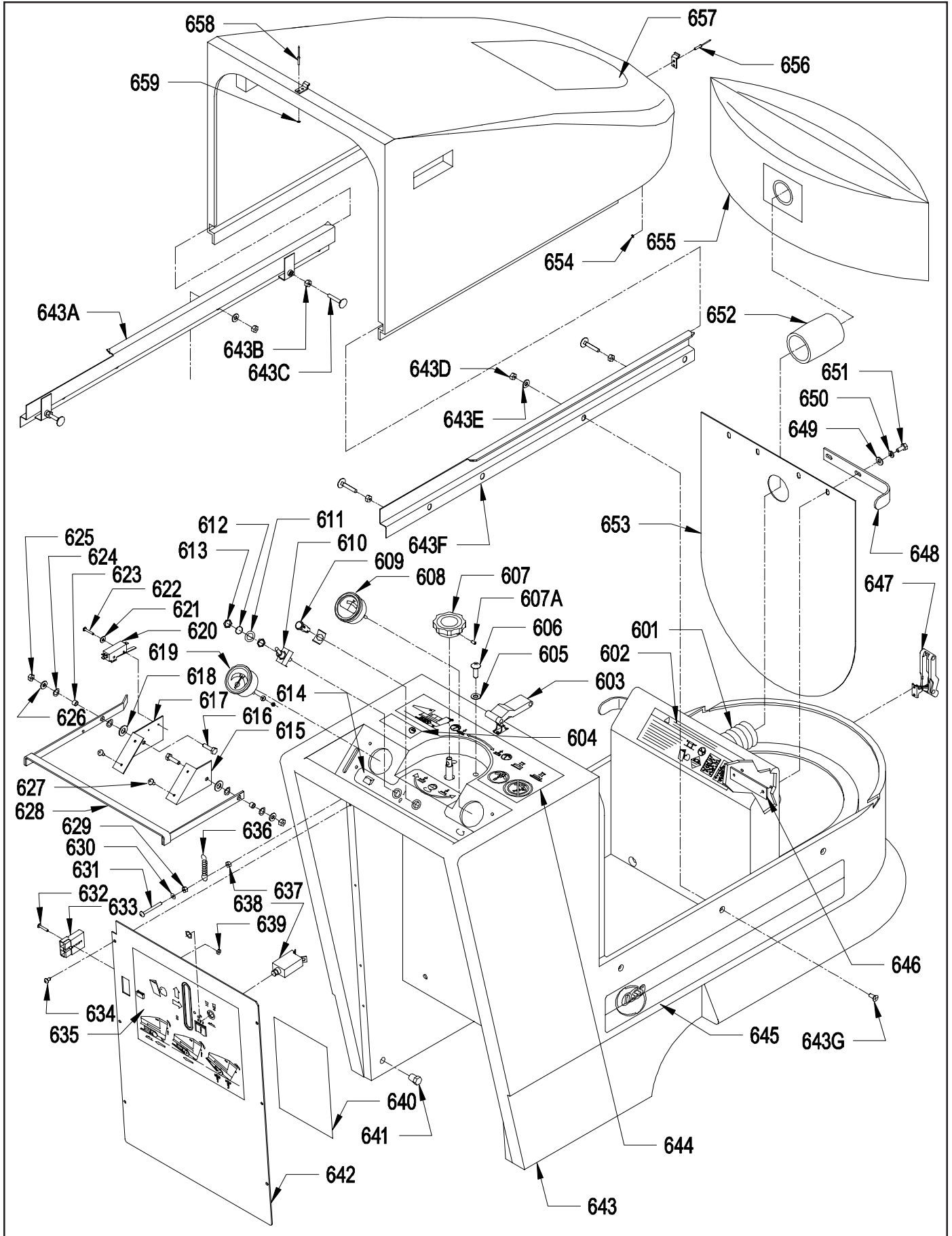
CONTROL FRAME - CHARGER 2025 DB



HOUSING - CHARGER 2025 AB

ITEM	PART NO.	DESCRIPTION	QTY.
601	3392561	HOSE 2" DIAMETER X 3 FEET LONG	1
602	6495301	BATTERY WARNING DECAL	1
603	6491171	SOFT DRAW LATCH WITH CONCEALED KEEPER	1
604	6493081	NAME IDENTIFIER DECAL CHARGER 2025 AB	1
605	9121400	3/8 I.D. X 7/8 O.D. X .064/.104 THICK WROUGHT WASHER (5/16)	2
606	9121480	5/16-18 X 1 ROUND HEAD PHILLIPS MACHINE SCREW	2
607	4490521	LOAD ADJUST KNOB (INCLUDES SET SCREW)	1
607A	9120650	10-32 X 3/4 SET SCREW	1
608	4491041	RPM METER WITH HARDWARE	1
609	2691981	LIGHT - INDICATOR, GREEN, 35 VOLT, WITH CLIP	1
610	4491101	TOGGLE SWITCH, MOTOR	1
611	9122465	.516 I.D. X .813 O.D. X .027/.030 THICK FLAT WASHER	1
612	0691851	1/2 INTERNAL STAR LOCK WASHER	1
613	0798821	5/8 HEX NUT	1
614	6492801	DASH PANEL DECAL	1
615	4492901	SWITCH PLATE - RIGHT	1
616	9121270	1/4-20 X 1 HEX BOLT	2
617	4492881	SWITCH PLATE - LEFT	1
618	9122180	13/32 I.D. X 13/16 O.D. X .051/.080 THICK SAE FLAT WASHER (3/8)	2
619	4491051	BATTERY METER 36 VOLT	1
620	4491071	SNAP SWITCH	1
621	9120040	6 INTERNAL STAR LOCK WASHER	2
622	9120090	6-32 X 7/8 PAN HEAD PHILLIPS MACHINE SCREW	2
623	2791281	BUSHING SPACER	2
624	9122120	3/8 I.D. X 5/8 O.D. X .031 THICK 1 WAVE SPRING WASHER (3/8)	4
625	9120900	1/4-20 HEX NUT WITH NY-LOK INSERT	2
626	9120930	9/32 I.D. X 5/8 O.D. X .051/.080 THICK SAE FLAT WASHER (1/4)	2
627	9120510	10-24 X 1/2 TRUSS HEAD PHILLIPS MACHINE SCREW	4
628	4493046	HANDLE	1
629	9120360	10-24 HEX NUT WITH STAR LOCK WASHER	1
630	9120370	7/32 I.D. X 1/2 O.D. X .032/.065 THICK SAE FLAT WASHER (10)	1
631	9120480	10-24 X 1 3/4 ROUND HEAD PHILLIPS MACHINE SCREW	1
632	9120090	6-32 X 7/8 PAN HEAD PHILLIPS MACHINE SCREW	2
633	4491901	CHARGER PLUG ONLY - GRAY 36 VOLT	1
	6490821	WIRE ASSEMBLY, ANDERSON TO SOL./STANDOFF 36 VOLT	1
634	9120790	10 X 5/8 PAN HEAD PHILLIPS SHEET METAL SCREW	8
635	6492891	DECAL - PAD POSITION	1
636	4490641	EXTENSION SPRING	1
637	9120350	10-24 HEX NUT WITH NY-LOK INSERT	1
638	4490701	CIRCUIT BREAKER - 70 AMP/ETA	1
639	9120020	6-32 HEX NUT WITH STAR LOCK WASHER	2
640	6492931	WIRING DIAGRAM DECAL	1
641	6490951	1/4 MPT PLUG	2
642	6495491	REAR COVER PANEL	1
643	6490011	HOUSING WITH SLIDE RAILS - INCLUDES	1
643A	6495441	SLIDE RAIL, LEFT	1
643B	9120920	1/4-20 HEX NUT	4
643C	9121039	1/4-20 X 1 1/2 ELEVATOR BOLT - ZINC PLATED	4
643D	9120900	1/4-20 HEX NUT WITH NY-LOK INSERT	6
643E	9120930	9/32 I.D. X 5/8 O.D. X .051/.080 THICK SAE FLAT WASHER (1/4)	6
643F	6495431	SLIDE RAIL, RIGHT	1
643G	9121037	1/4-20 X 5/8 FLAT HEAD PHILLIPS HEAD PHILLIPS MACHINE SCREW	6
644	6495791	ENGLISH/SPANISH OPERATION DECAL	1
645	6493061	SIDE DECAL - 3.5 X 26	2
646	6491211	TAPPING PLATE	2
647	6491171	SOFT DRAW LATCH WITH CONCEALED KEEPER	1
648	6491193	HOOD STOP / SUPPORT BRACKET	2
649	9120930	9/32 I.D. X 5/8 O.D. X .051/.080 THICK SAE FLAT WASHER (1/4)	4
650	9120880	1/4 SPLIT LOCK WASHER	4
651	9121270	1/4-20 X 1 HEX BOLT	4
652	4495531	END CUFF - 2"	1
653	6492261	RUBBER MOTOR COVER	1
654	9120185	5/32 I.D. X 1/2 O.D. WASHER - STEEL - ZINC PLATE	4
655	5796101	PAPER BAG - 5 PACK	1
	6592801	CLOTH FILTER BAG (OPTIONAL)	1
656	9120317	5/32 X 5/8 DOME HEAD POP RIVET - STEEL	4
657	6492871	HOOD DECAL	1
658	9120317	5/32 X 5/8 DOME HEAD POP RIVET - STEEL	4
659	9120185	5/32 I.D. X 1/2 O.D. WASHER - STEEL - ZINC PLATE	4

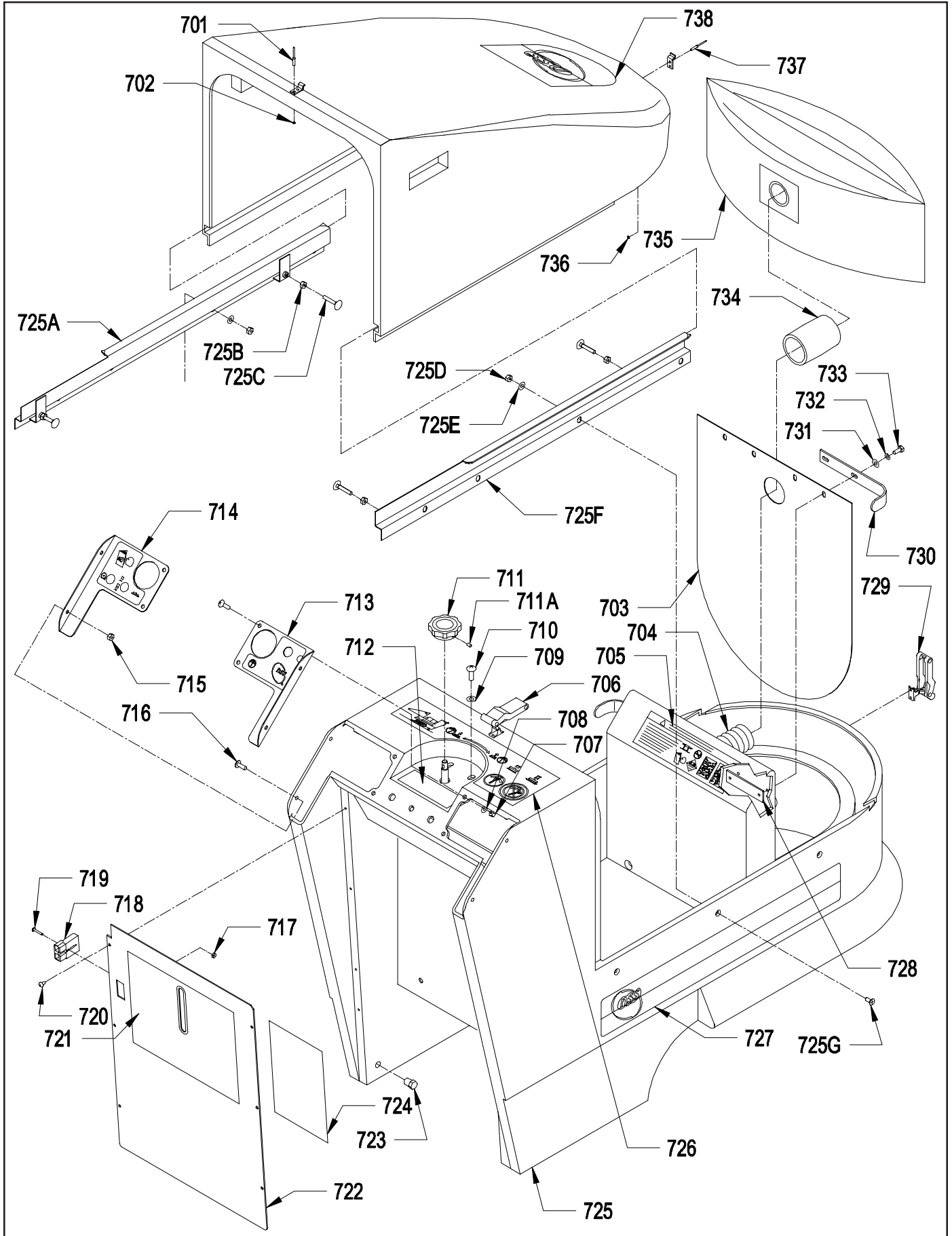
HOUSING - CHARGER 2025 AB



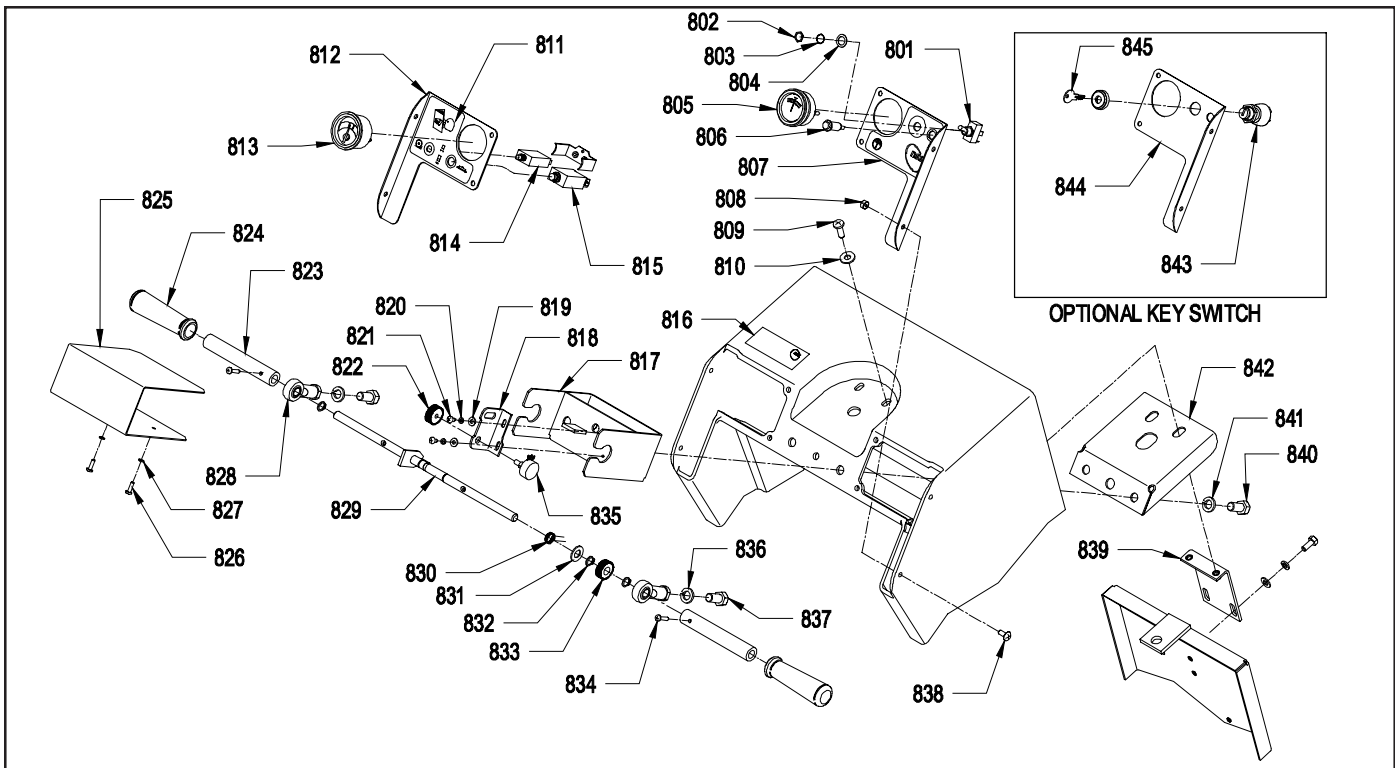
HOUSING - CHARGER 2025 DB

<u>ITEM</u>	<u>PART NO.</u>	<u>DESCRIPTION</u>	<u>QTY.</u>
701	9120317	5/32 X 5/8 DOME HEAD POP RIVET - STEEL	4
702	9120185	5/32 I.D. X 1/2 O.D. WASHER - STEEL - ZINC PLATE	4
703	6492261	RUBBER MOTOR COVER	1
704	3392561	VAC EXHAUST HOSE	1
705	6495301	BATTERY WARNING DECAL	1
706	6491171	SOFT DRAW LATCH WITH CONCEALED KEEPER	1
707	9120900	1/4-20 HEX NUT WITH NY-LOK INSERT	4
708	9120930	9/32 I.D. X 5/8 O.D. X .051/.080 THICK SAE FLAT WASHER (1/4)	4
709	9121400	3/8 I.D. X 7/8 O.D. X .064/.104 THICK WROUGHT WASHER (5/16)	2
710	9121480	5/16-18 X 1 ROUND HEAD PHILLIPS MACHINE SCREW	2
711	4490521	LOAD ADJUST KNOB (INCLUDES SET SCREW)	1
711A	9120650	10-32 X 3/4 SET SCREW	1
712	6495191	CONTROL PANEL DECAL KIT	1
713	6495171	CONTROL PANEL - RIGHT	1
714	6495181	CONTROL PANEL - LEFT	1
715	9120900	1/4-20 HEX NUT WITH NY-LOK INSERT	8
716	9121000	1/4-20 X 5/8 TRUSS HEAD PHILLIPS MACHINE SCREW	8
717	9120020	6-32 HEX NUT WITH STAR LOCK WASHER	2
718	4491901	CHARGER PLUG ONLY - GRAY 36 VOLT	1
	6490821	WIRE ASSEMBLY - ANDERSON / STANDOFF	1
719	9120090	6-32 X 7/8 PAN HEAD PHILLIPS MACHINE SCREW	2
720	9120790	10 X 5/8 PAN HEAD PHILLIPS SHEET METAL SCREW	8
721	6495201	REAR PANEL DECAL	1
722	6495491	REAR COVER PANEL	1
723	6490951	1/4 MPT PLUG	2
724	6495211	WIRING DIAGRAM DECAL	1
725	6495081	HOUSING WITH SLIDE RAILS - INCLUDES:	1
725A	6495441	SLIDE RAIL, LEFT	1
725B	9120920	1/4-20 HEX NUT	4
725C	9121039	1/4-20 X 1 1/2 ELEVATOR BOLT - ZINC PLATED	4
725D	9120900	1/4-20 HEX NUT WITH NY-LOK INSERT	6
725E	9120930	9/32 I.D. X 5/8 O.D. X .051/.080 THICK (1/4) SAE FLAT WASHER	6
725F	6495431	SLIDE RAIL, RIGHT	1
725G	9121037	1/4-20 X 5/8 FLAT HEAD PHILLIPS MACHINE SCREW	6
726	6495791	ENGLISH/SPANISH OPERATION DECAL	1
727	6493061	SIDE DECAL 3.5 X 26	2
728	6491211	TAPPING PLATE	2
729	6491171	SOFT DRAW LATCH WITH CONCEALED KEEPER	1
730	6491193	HOOD STOP / SUPPORT BRACKET	2
731	9120930	9/32 I.D. X 5/8 O.D. X .051/.080 THICK (1/4) SAE FLAT WASHER	4
732	9120880	1/4 SPLIT LOCK WASHER	4
733	9121270	1/4-20 X 1 HEX BOLT	4
734	4495531	END CUFF - 2"	1
735	5796101	PAPER BAG - 5 PACK	1
	6592801	CLOTH FILTER BAG (OPTIONAL)	1
736	9120185	5/32 I.D. X 1/2 O.D. WASHER - STEEL - ZINC PLATE	4
737	9120317	5/32 X 5/8 DOME HEAD POP RIVET - STEEL	4
738	6492871	HOOD DECAL	1

HOUSING - CHARGER 2025 DB



TWISTED GRIP CONTROL



ITEM	PART NO.	DESCRIPTION	QTY.
801	4491101	TOGGLE SWITCH, MOTOR	1
802	0798821	5/8" HEX NUT (LARGE NUT)	1
803	0691851	1/2 INTERNAL STAR LOCK WASHER	1
804	9122465	.516 I.D. X .813 O.D. X .027/.030 THICK FLAT WASHER	1
805	4491041	RPM METER WITH HARDWARE	1
806	2691981	LIGHT - INDICATOR, GREEN, 35 VOLT, WITH CLIP	1
807	6495171	CONTROL PANEL - RIGHT	1
808	9120900	1/4-20 HEX NUT WITH NY-LOK INSERT	8
809	9121480	5/16-18 X 1 ROUND HEAD PHILLIPS MACHINE SCREW	2
810	9121400	3/8 I.D. X 7/8 O.D. X .064/.104 THICK WROUGHT WASHER (5/16)	2
811	6495191	CONTROL PANEL DECAL KIT	1
812	6495181	CONTROL PANEL - LEFT	1
813	4491051	BATTERY METER WITH HARDWARE	1
814	2392201	CIRCUIT BREAKER, 115V 10 AMP	1
815	4490701	CIRCUIT BREAKER - 70 AMP/ETA	1
816	6493091	IDENTIFIER DECAL CHARGER 2025 DB	1
817	6495021	HANDLE BOX - TWISTED GRIP	1
818	6495051	POTENTIOMETER MOUNTING BRACKET	1
819	9120370	7/32 I.D. X 1/2 O.D. X .032/.065 THICK FLAT WASHER (#10)	2
820	9120320	10 SPLIT LOCK WASHER	2
821	9120410	10-24 X 1/2 ROUND HEAD PHILLIPS MACHINE SCREW	2
822	2691941	DRIVEN GEAR, POTENTIOMETER - INCLUDES:	1
	9120170	8-32 X 3/16 SET SCREW - KNURL POINT - STEEL	2
823	2691871	HANDLE GRIP BASE	2
824	3392901	HANDLE GRIP	2
825	6495031	HANDLE BOX COVER	1
826	9120410	10-24 X 1/2 ROUND HEAD PHILLIPS MACHINE SCREW	2
827	9120320	10 SPLIT LOCK WASHER	2
828	2391941	BALL JOINT	2
829	6495011	HANDLE BAR	1
830	3392661	TORSION SPRING	1
831	9122450	17/32 I.D. X 1 1/16 O.D. X .074/.121 THICK FLAT WASHER (1/2)	1
832	5091701	RETAINING RING	3
833	2691931	DRIVE GEAR, HANDLE BAR - INCLUDES:	1
	9120170	8-32 X 3/16 SET SCREW - KNURL POINT - STEEL	2
834	9120270	8-32 X 7/8 ROUND HEAD PHILLIPS MACHINE SCREW	2
835	2694131	POTENTIOMETER, CURTIS SPEED CONTROL	1
836	9122420	1/2 SPLIT LOCK WASHER	2
837	9122530	1/2-13 X 1 HEX BOLT	2
838	9121000	1/4-20 X 5/8 TRUSS HEAD PHILLIPS MACHINE SCREW	8
839	4492803	TOP SUPPORT BRACKET	1
840	9122530	1/2-13 X 1 HEX BOLT	2
841	9122420	1/2 SPLIT LOCK WASHER	2
842	6495041	HANDLE BOX MOUNTING PLATE	1
843	2795711	KEY SWITCH & KEY	1
844	6495161	KEY SWITCH CONTROL PANEL - RIGHT	1
845	2796131	REPLACEMENT KEY	1

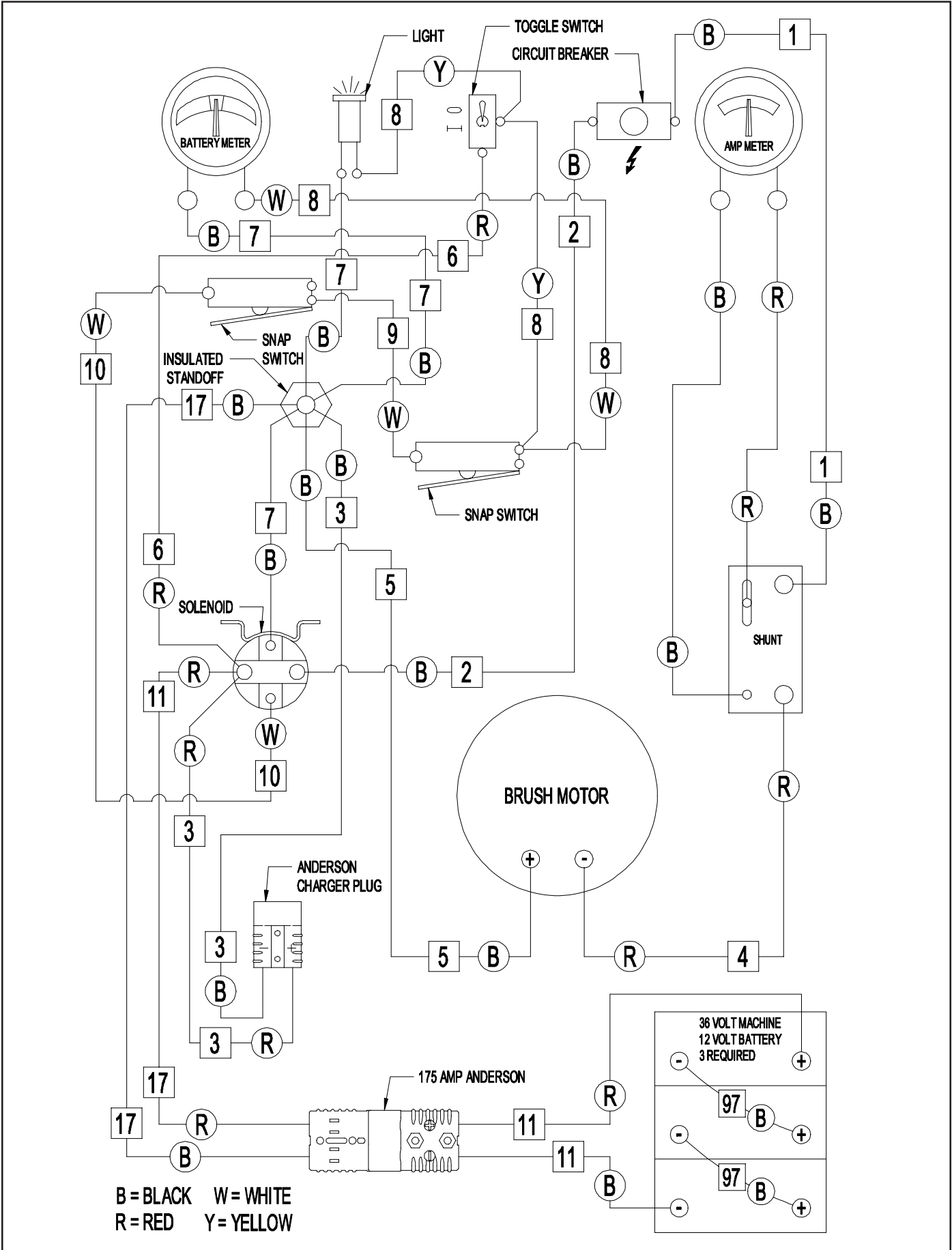
WIRING DIAGRAM - CHARGER 2025 AB

ITEM	PART NO.	DESCRIPTION	QTY.
1	6490801	WIRE ASSEMBLY, BREAKER TO SHUNT	1
2	6490811	WIRE ASSEMBLY, SOLENOID TO BREAKER	1
3	6490821	WIRE ASSEMBLY, ANDERSON TO SOLENOID / STANDOFF	1
4	6495121	WIRE ASSEMBLY, SHUNT TO MOTOR	1
5	6495131	WIRE ASSEMBLY, MOTOR TO STANDOFF	1
6	6490851	WIRE ASSEMBLY, SOLENOID TO MAIN SWITCH	1
7	6490861	WIRE ASSEMBLY, SOLENOID / LIGHT / VOLT METER TO STANDOFF	1
8	6490871	WIRE ASSEMBLY, SAFETY SWITCH TO VOLT METER / MAIN SWITCH TO LIGHT	1
9	6490881	WIRE ASSEMBLY, HANDLE SWITCH TO SAFETY SWITCH	1
10	6490891	WIRE ASSEMBLY, SOLENOID TO HANDLE SWITCH	1
11	7691661	WIRE ASSEMBLY, ANDERSON - POS./NEG. BATTERY 36 VOLT	1
17	6491831	WIRE ASSEMBLY, ANDERSON TO SOLENOID / STANDOFF	1
97	2391981	BATTERY JUMPER 3/8" RING #97	2
-	2397361	HOUR METER - OPTIONAL	1
-	2691981	INDICATOR LIGHT - GREEN LENS / 35 VOLT WITH CLIP	1
-	4490561	INSULATED STANDOFF	1
-	4490701	CIRCUIT BREAKER - 70 AMP/ETA	1
-	4491011	SOLENOID, 36 VOLT	1
-	4491031	SHUNT	1
-	4491041	RPM METER WITH HARDWARE	1
-	4491051	BATTERY METER 36 VOLT WITH HARDWARE	1
-	4491061	BATTERY, 185 AMP/HR, 12 VOLT	3
-	4491071	SNAP SWITCH	2
-	4491101	TOGGLE SWITCH, MOTOR	1
-	4491901	CHARGER PLUG ONLY - GRAY 36 VOLT	1
-	6491841	175 AMP ANDERSON WITH CONTACTS GRAY 36 VOLT	2
-	6493521	MOTOR, 36 VOLT - 2500 RPM	1
-	6495621	HOUR METER LEADS - OPTIONAL	1
-	9123005	1/8 X 5 1/2 WIRE TIE	6

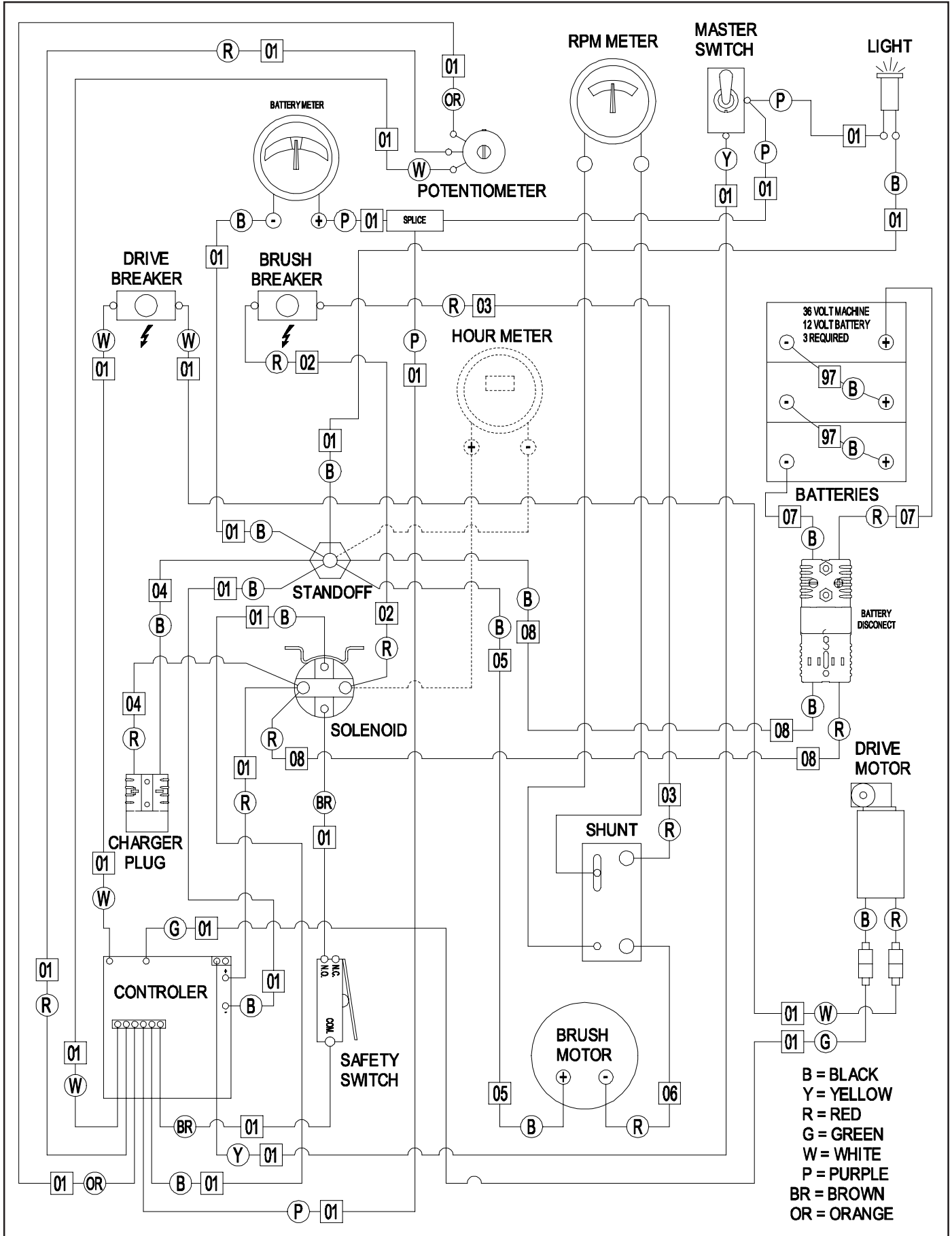
WIRING DIAGRAM - CHARGER 2025 DB

ITEM	PART NO.	DESCRIPTION	QTY.
1	6495321	WIRE HARNESS	1
2	6495331	WIRE ASSEMBLY, SOLENOID TO BRUSH BREAKER	1
3	6495341	WIRE ASSEMBLY, BRUSH BREAKER TO SHUNT	1
4	6490821	WIRE ASSEMBLY, ANDERSON TO SOLENOID / STANDOFF	1
5	6495131	WIRE ASSEMBLY, MOTOR TO STANDOFF	1
6	6495121	WIRE ASSEMBLY, SHUNT TO MOTOR	1
7	7691661	WIRE ASSEMBLY, ANDERSON - POS./NEG. BATTERY 36 VOLT	1
8	6491831	WIRE ASSEMBLY, ANDERSON - SOLENOID / STANDOFF 36 VOLT	1
97	2391981	BATTERY JUMPER 3/8" RING #97	2
—	2397361	HOUR METER - OPTIONAL	1
—	2392201	CIRCUIT BREAKER, 115 VOLT 10 AMP (DRIVE)	1
—	2690021	SPEED CONTROL, CURTIS	1
—	2691981	INDICATOR LIGHT - GREEN LENS, 36 VOLT WITH CLIP	1
—	2694131	POTENTIOMETER, CURTIS CONTROL	1
—	4490561	INSULATED STANDOFF	1
—	4490701	CIRCUIT BREAKER - 70 AMP/ETA (BRUSH)	1
—	4491011	SOLENOID, 36 VOLT	1
—	4491031	SHUNT	1
—	4491041	RPM METER WITH HARDWARE	1
—	4491051	BATTERY METER WITH HARDWARE	1
—	4491061	BATTERY, 205 AMP/HR, 12 VOLT	3
—	4491071	SNAP SWITCH (SAFETY)	1
—	4491101	TOGGLE SWITCH, MOTOR	1
—	4491901	CHARGER PLUG ONLY - GRAY 36 VOLT	1
—	6491841	175 AMP ANDERSON WITH CONTACTS GRAY 36 VOLT	2
—	6493521	MOTOR 36 VOLT - 2500 RPM, 2.5 HP	1
—	6495291	DRIVE MOTOR 36 VOLT	1
—	6495621	HOUR METER LEADS - OPTIONAL	1
—	9123005	1/8 X 5 1/2 WIRE TIE	5

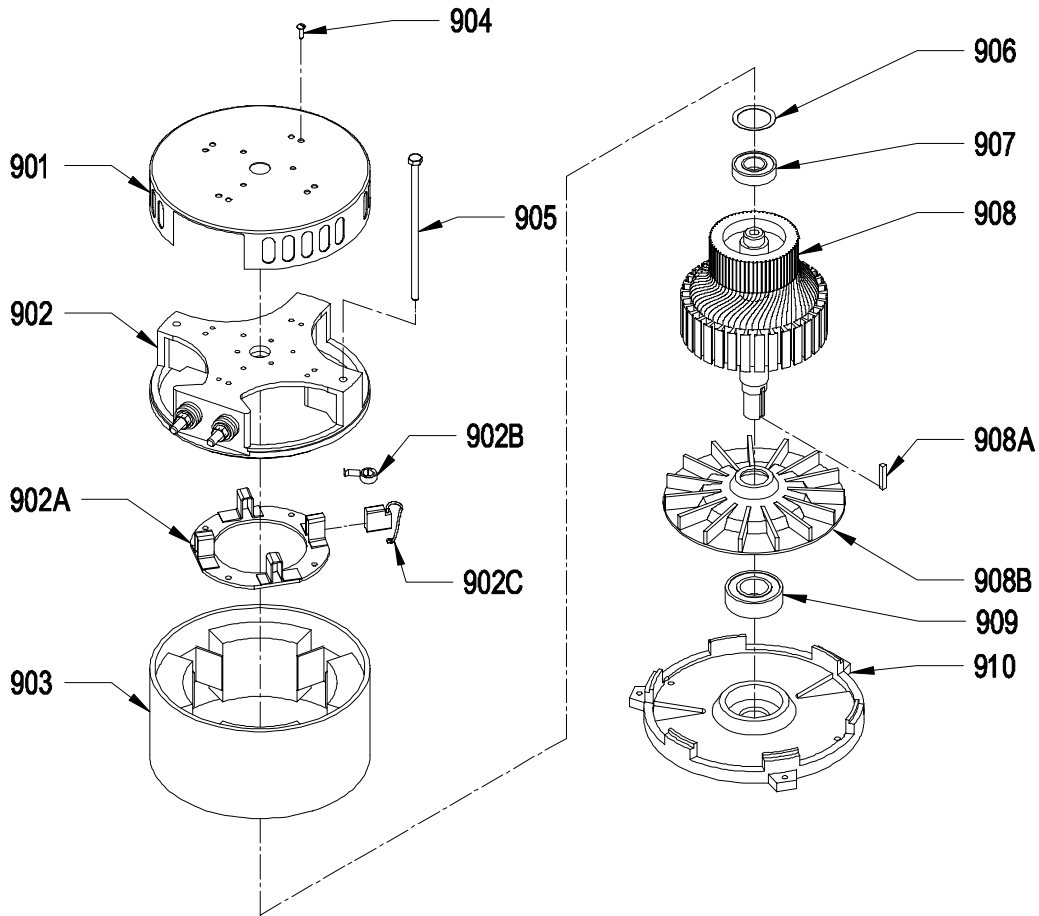
WIRING DIAGRAM - CHARGER 2025 AB



WIRING DIAGRAM - CHARGER 2025 DB



MOTOR



ITEM	PART NO.	DESCRIPTION	QTY.
	6493521	MOTOR 2500 RPM, 36 VOLT - INCLUDES:	1
901	5991731	COMMUTATOR BRACKET COVER	1
	6493531	COMMUTATOR BRACKET ASSEMBLY - INCLUDES:	1
902	6493541	COMMUTATOR BRACKET	1
902A	6493601	BRUSH BOARD ASSEMBLY - INCLUDES:	1
902B	6493591	SPRING	2
902C	7692041	CARBON BRUSH	2
903	5991521	STATOR FRAME ASSEMBLY - WITH CLIPS AND MAGNETS	1
904	9120600	10-24 X 1/2 PAN HEAD PHILLIPS THREAD CUTTING SCREW	4
905	5991701	THRU BOLT	2
906	5991741	HELICAL WASHER - LARGE	1
907	5991551	BEARING - TOP END	1
908	6493611	ARMATURE - 2500 RPM - INCLUDES:	1
908A	9120827	3/16 SQUARE X 1 LONG KEY - STEEL	1
908B	6493571	ALUMINUM FAN	1
909	5991541	BEARING - BOTTOM END	1
910	6493551	BEARING END BRACKET	1



NSS ® Enterprises, Inc.

3115 Frenchmens Road, Toledo, Ohio 43607
 PHONE (419) 531-2121 FAX (419) 531-3761

NSS ® Enterprises, Inc. European Distribution Centre
 Unit II, Pinfold Trading Estate * 55 Nottingham Road
 STAPLEFORD, NOTTINGHAM NG9 8AD ENGLAND U.K.
 PHONE: (44) 0115 939 1568 * FAX: (44) 0115 949 0615