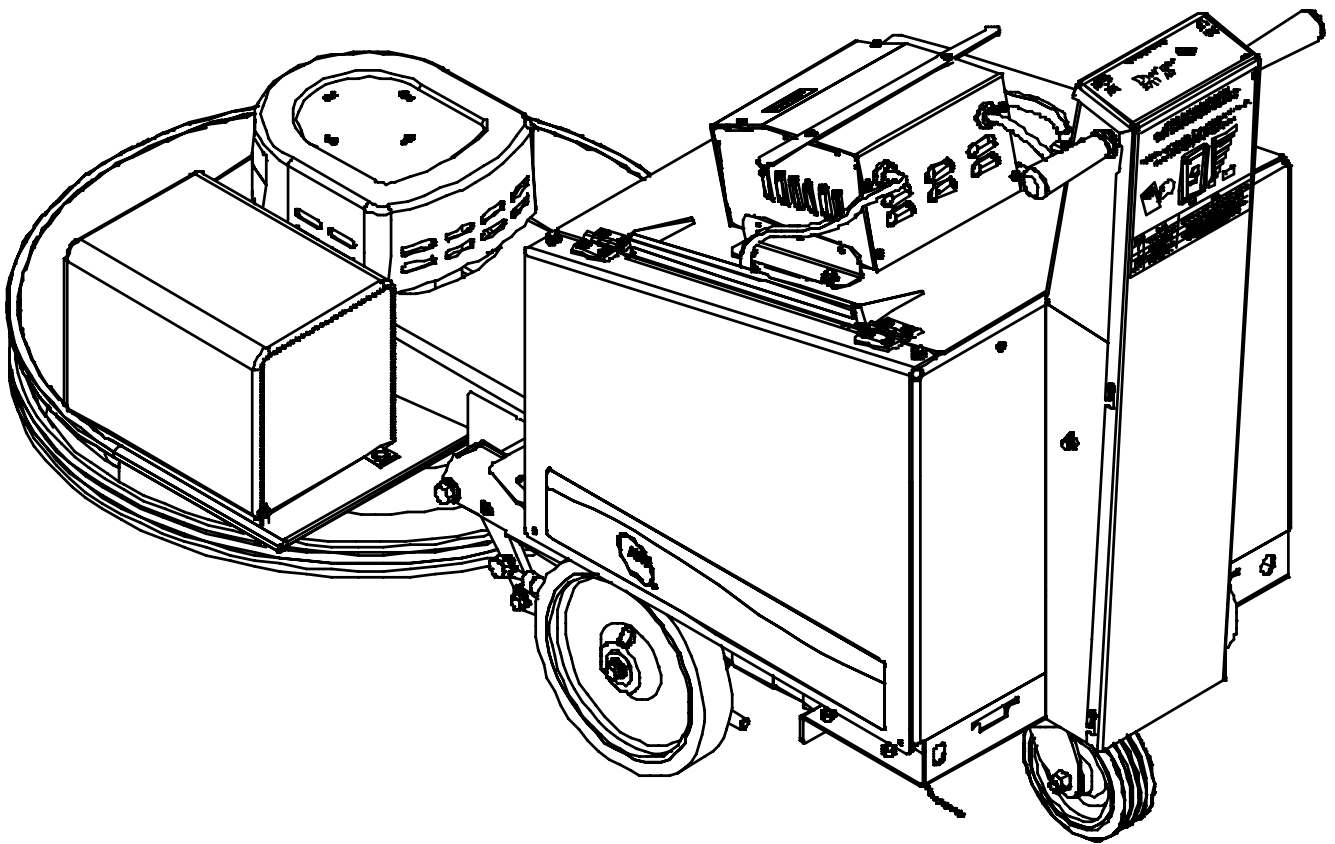
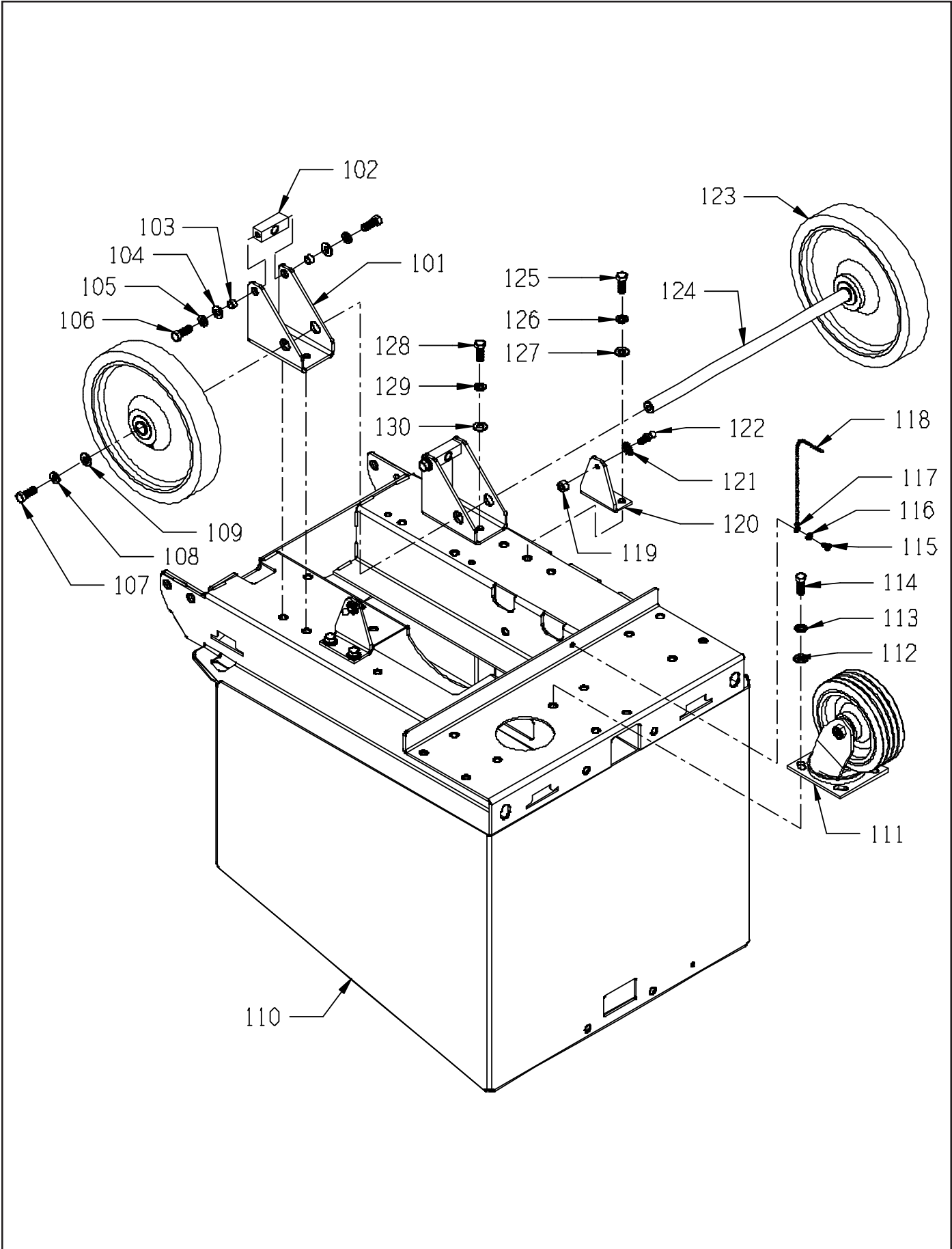


PARTS LIST  
**CHARGER 2717 AB**



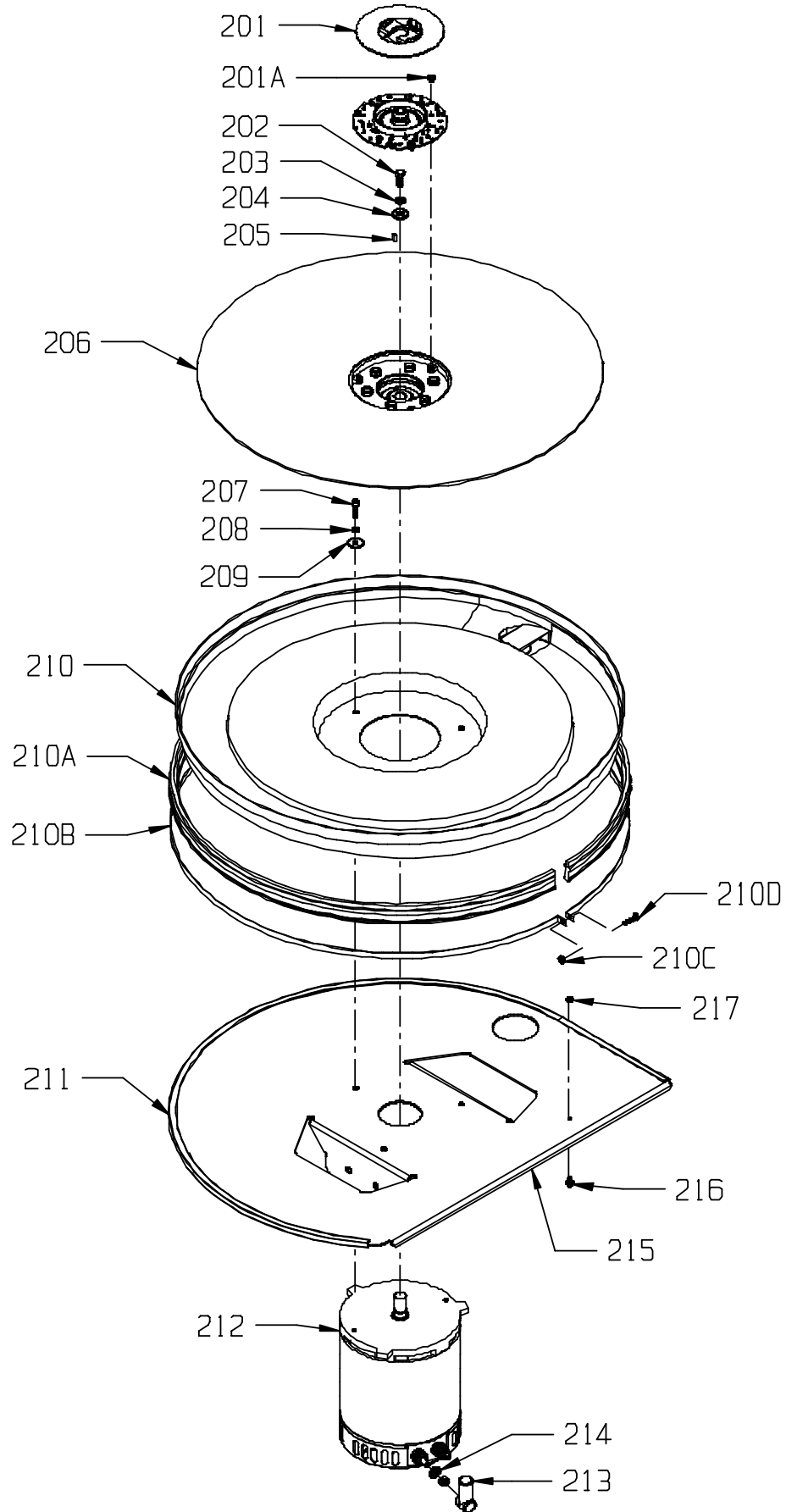
<u>ITEM</u>	<u>PART NO.</u>	<u>PART DESCRIPTION</u>	<u>QTY.</u>
101	6497261	AXLE / PIVOT MOUNT	2
102	6495891	PIVOT	2
103	2691181	PIVOT SPACER, STABILIZER BAR	4
104	9122180	13/32 X 13/16 X .051 THICK WASHER - PACK OF 10	4
105	9122100	3/8 SPLIT LOCK WASHER - PACK OF 10	4
106	9122260	3/8-16 X 1 HEX BOLT - PACK OF 5	4
107	9122260	3/8-16 X 1 HEX BOLT - PACK OF 2	2
108	9122100	3/8 SPLIT LOCK WASHER - PACK OF 10	2
109	9122180	13/32 X 13/16 X .051 THICK WASHER - PACK OF 10	2
110	6497213	CHASSIS / BODY	1
111	3392591	6" X 2" MAROON CASTER ASSEMBLY	1
112	9122180	13/32 X 13/16 X .051 THICK WASHER - PACK OF 10	4
113	9122100	3/8 SPLIT LOCK WASHER - PACK OF 10	4
114	9122260	3/8-16 X 1 HEX BOLT - PACK OF 5	4
115	9120380	10-24 X 3/8 ROUND HEAD PHILLIPS MACHINE SCREW - PACK OF 10	1
116	9120330	#10 EXTERNAL STAR LOCK WASHER - PACK OF 10	1
117	6491871	END COUPLING ROUND BEAD CHAIN	1
118	6491860	ROUND BEAD CHAIN - CUT TO 8"	.7
119	9121420	5/16-18 HEX NUT - PACK OF 10	1
120	6497201	GAS SPRING MOUNT	2
121	9121410	5/16 EXTERNAL STAR LOCK WASHER - PACK OF 10	1
122	6496541	BALL STUD - GAS SPRING MOUNT	1
123	6497371	10" WHEEL	2
124	6497301	AXLE	1
125	9122260	3/8-16 X 1 HEX BOLT - PACK OF 2	2
126	9122100	3/8 SPLIT LOCK WASHER - PACK OF 10	2
127	9122180	13/32 X 13/16 X .051 THICK WASHER - PACK OF 10	2
128	9122260	3/8-16 X 1 HEX BOLT - PACK OF 2	2
129	9122100	3/8 SPLIT LOCK WASHER - PACK OF 10	2
130	9122180	13/32 X 13/16 X .051 THICK WASHER - PACK OF 10	2

# CHASSIS ASSEMBLY



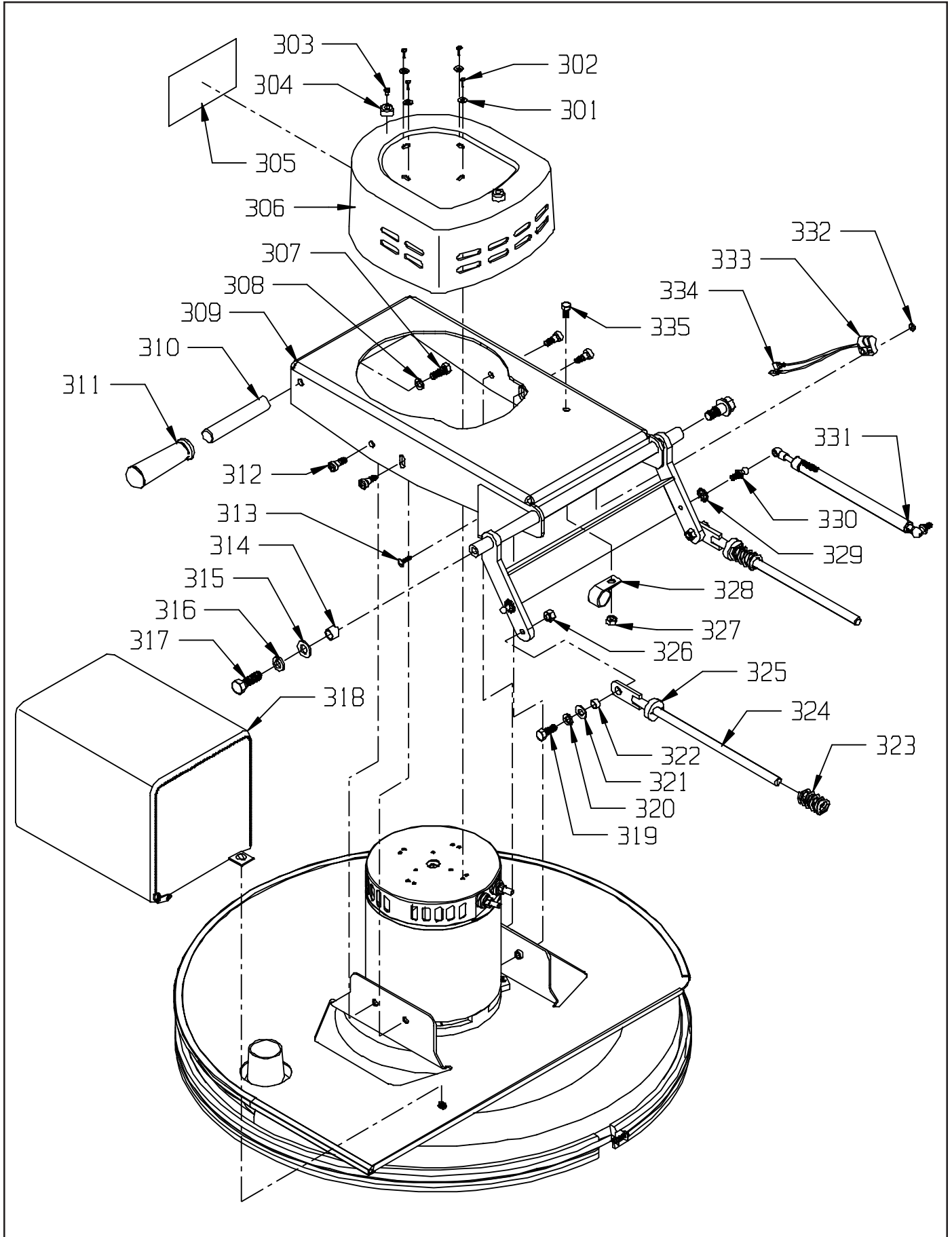
<b>ITEM</b>	<b>PART NO.</b>	<b>PART DESCRIPTION</b>	<b>QTY.</b>
201	5990731	SPRING CLIP PAD HOLDER SET - INCLUDES:	1
201A	9120205	8 X 1/2 PAN HEAD PHILLIPS SHEET METAL SCREW - PACK OF 3	3
202	9121490	5/16-24 X 7/8 HEX BOLT - PACK OF 2	1
203	9121520	5/16 SPLIT LOCK WASHER - PACK OF 10	1
204	9121985	13/32 I.D. X 1 O.D. X .12 THICK FLAT WASHER 11 GAGE - PACK OF 1	1
205	9120827	3/16 SQUARE X 1" LONG KEY - STEEL - PACK OF 2	1
206	6492571	DRIVER, PAD - 27"	1
207	9120980	1/4-20 X 1 SOCKET HEAD CAP SCREW - PACK OF 5	3
208	9120880	1/4 SPLIT LOCK WASHER - PACK OF 10	3
209	9120950	1/4 X 1 1/4 FENDER WASHER - PACK OF 10	3
210	6496519	FLEXIWALL SHIELD 27 ASSEMBLY - INCLUDES:	1
210A	6592531	BUMPER / BRUSH 27"	1
210B	6592552	BUMPER STRAP 27	1
210C	9120350	10-24 HEX NUT WITH NY-LOCK INSERT - PACK OF 10	1
210D	9120450	10-24 X 1 ROUND HEAD PHILLIPS MACHINE SCREW - PACK OF 10	1
211	9997590	METAL CORE QUICKEDGE TRIM - CUT TO 67"	5.6
212	6496721	MOTOR - 36 VOLT, 2100 RPM, 3.6HP	1
213	7692421	TERMINAL BOOT (RED)	1
214	9121410	5/16 EXTERNAL STAR LOCK WASHER - PACK OF 10	2
215	6496621	STEEL SKIRT - 27"	1
216	6496881	STUD WITH #10-32 X 3/8, FILTER BAG	1
217	9120660	10-32 X HEX NUT WITH NY-LOCK INSERT - PACK OF 10	1

# HEAD ASSEMBLY



<u>ITEM</u>	<u>PART NO.</u>	<u>PART DESCRIPTION</u>	<u>QTY.</u>
301	9120600	10-24 X 1/2 PAN HEAD PHILLIPS THREAD CUTTING SCREW - PACK OF 10	4
302	9120370	7/32 I.D. X 1/2 O.D. X .032/.065 THICK FLAT WASHER (#10) - PACK OF 10	4
303	9120205	8 X 1/2 PAN HEAD PHILLIPS SHEET METAL SCREW - PACK OF 3	2
304	6793371	RUBBER FOOT	2
305	0393531	NSS LOGO DECAL - 3.5 X 4.0	1
306	6496641	MOTOR COVER	1
307	9122260	3/8-16 X 1 HEX BOLT - PACK OF 2	1
308	9122100	3/8 SPLIT LOCK WASHER - PACK OF 10	1
309	6497551	ARM 27 AB/DB BRUSH ASSEMBLY	1
310	6496651	GRIP BASE	1
311	3392901	HANDLE GRIP	1
312	9122020	3/8 X 3/8 SOCKET HEAD SHOULDER BOLT - PACK OF 1	4
313	9120530	10-24 X 7/8 TRUSS HEAD PHILLIPS MACHINE SCREW - PACK OF 5	2
314	2790751	BUSHING SPACER	2
315	9122450	17/32 I.D. X 1 1/16 O.D. X .074/.121 THICK FLAT WASHER (1/2) - PACK OF 5	2
316	9122420	1/2 SPLIT LOCK WASHER - PACK OF 5	2
317	9122550	1/2-13 X 1 1/2 HEX BOLT - PACK OF 1	2
318	6496711	BAG, FILTER MEDIA	1
319	9122300	3/8-16 X 1 1/4 HEX BOLT - PACK OF 2	2
320	9122100	3/8 SPLIT LOCK WASHER - PACK OF 10	2
321	9122180	13/32 I.D. X 13/16 O.D. X .051/.080 THICK FLAT WASHER (3/8) - PACK OF 10	2
322	2691181	PIVOT SPACER, STABILIZER BAR	2
323	6496671	COMPRESSION SPRING 1.75 X .935 O.D.	2
324	6496681	GUIDE, SPRING	2
325	3393891	COLLAR, SHAFT 1/2"	2
326	9122140	3/8-16 HEX NUT WITH NY-LOCK INSERT - PACK OF 5	2
327	9121450	5/16-18 HEX NUT WITH NY-LOCK INSERT - PACK OF 5	1
328	2395761	CLAMP, TUBE	1
329	9121410	5/16 EXTERNAL STAR LOCK WASHER - PACK OF 10	2
330	6496541	BALL STUD - GAS SPRING MOUNT	2
331	6496531	GAS SPRING (GGS 23-120 I) - INCLUDES:	2
	6496771	SPRING CLIP	2
332	9120350	10-24 HEX NUT WITH NY-LOCK INSERT - PACK OF 10	2
333	6496781	TILT SWITCH	1
334	4991371	FULLY INSULATED MALE TERMINAL 22-18 GAGE	2
335	9121600	5/16-18 X 5/8 HEX NUT - PACK OF 5	1

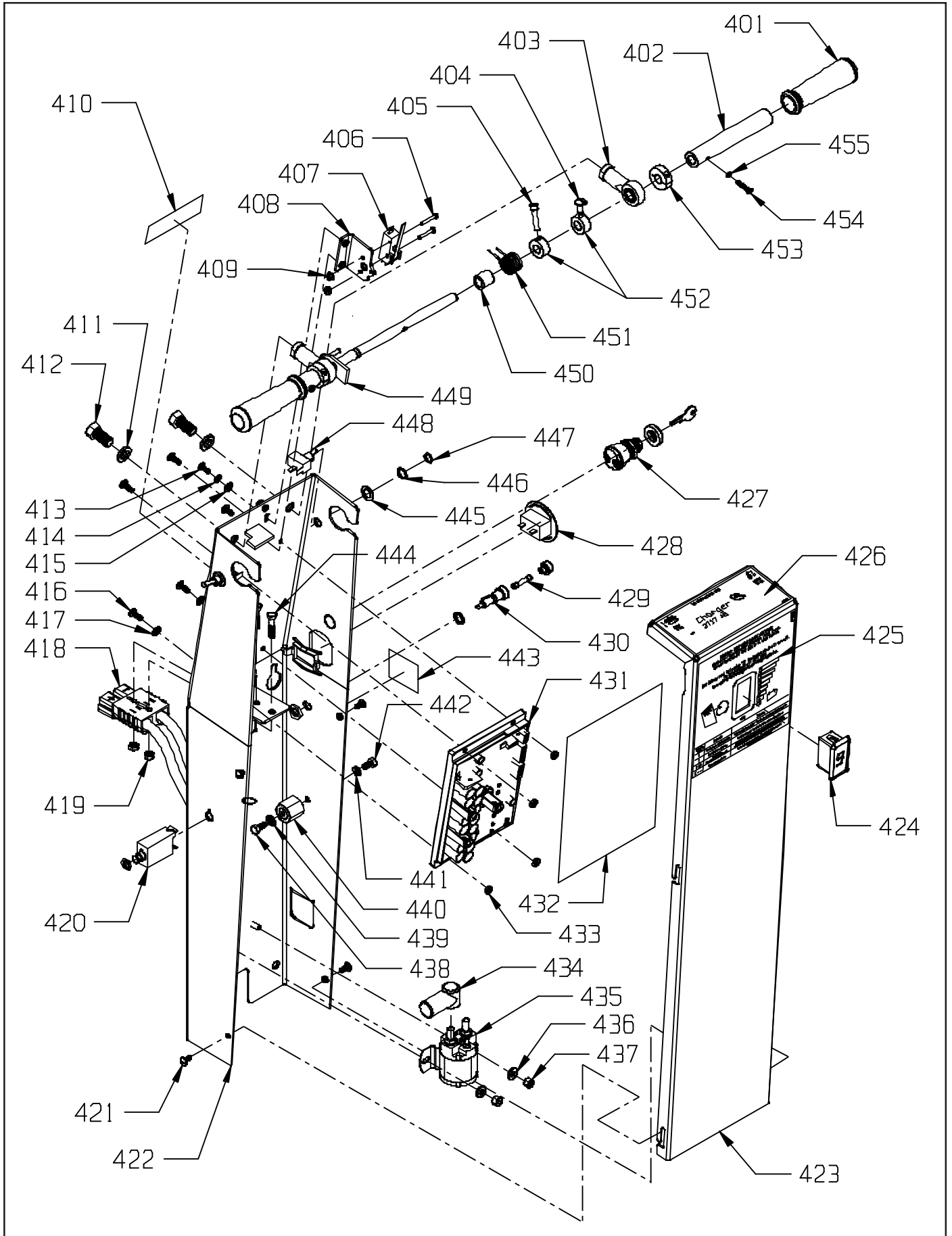
# HEAD ARM ASSEMBLY



<u>ITEM</u>	<u>PART NO.</u>	<u>PART DESCRIPTION</u>	<u>QTY.</u>
401	3392901	HANDLE GRIP	2
402	2691871	HANDLE GRIP BASE	2
403	2391941	BALL JOINT	2
404	9120990	1/4-20 X 3/8 TRUSS HEAD PHILLIPS MACHINE SCREW - PACK OF 5	1
405	9121050	1/4-20 X 1-1/4 SOCKET HEAD CAP SCREW - PACK OF 5	1
406	9120100	6-32 X 1 ROUND HEAD PHILLIPS MACHINE SCREW - PACK OF 10	2
407	4491071	SNAP SWITCH	1
408	6496991	POTENTIOMETER BRACKET	1
409	9120020	6-32 HEX NUT WITH STAR LOCK WASHER - PACK OF 10	2
410	3394001	TWISTER APPROVED DECAL	1
411	9122420	1/2 SPLIT LOCK WASHER - PACK OF 5	2
412	9122700	1/2-20 X 1 HEX BOLT - PACK OF 2	2
413	9120510	10-24 X 1/2 TRUSS HEAD PHILLIPS MACHINE SCREW - PACK OF 10	2
414	9120330	10 EXTERNAL STAR LOCK WASHER - PACK OF 10	2
415	9120370	7/32 I.D. X 1/2 O.D. X .032/.065 THICK FLAT WASHER (#10) - PACK OF 10	2
416	9120430	10-24 X 3/4 ROUND HEAD PHILLIPS MACHINE SCREW - PACK OF 10	4
417	9120370	7/32 I.D. X 1/2 O.D. X .032/.065 THICK FLAT WASHER (#10) - PACK OF 10	4
418	6496811	WIRE ASSEMBLY, ANDERSON - MACHINE - INCLUDES:	1
	6491841	175 AMP ANDERSON WITH CONTACTS GRAY 36 VOLT	1
419	9120900	1/4-20 HEX NUT WITH NY-LOCK INSERT - PACK OF 10	2
420	6491261	CIRCUIT BREAKER - 90 AMP	1
421	9120510	10-24 X 1/2 TRUSS HEAD PHILLIPS MACHINE SCREW - PACK OF 10	5
422	6496601	CONTROL FRAME	1
423	6496611	CONTROL FRAME COVER	1
424	6496971	BATTERY METER WITH HARNESS - INCLUDES:	1
	6496981	BATTERY METER DISPLAY	1
	6496961	WIRE HARNESS, BATTERY METER - 10 PIN	1
425	6497361	BATTERY METER/CODES DECAL AB	1
426	6497341	NAMING LABEL, CHARGER 2717 AB	1
427	6497039	KEY SWITCH KIT (OPTIONAL) - INCLUDES:	1
	2795711	KEY SWITCH & KEY	1
	6497021	WIRE ASSEMBLY, KEY SWITCH	1
428	2397361	HOUR METER	1
429	6495741	3AG FAST-ACTING FUSE 4 AMP	1
430	4990321	FUSE HOLDER WITH NUT & WASHER	1
431	6497451	CONTROLLER 2717 AB (0105-0001)	1
	9120970	1/4 EXTERNAL STAR LOCK WASHER - PACK OF 10	5
	9120985	1/4-28 X 3/8 PAN HEAD PHILLIPS MACHINE SCREW	5
432	6497571	DECAL WIRING DIAGRAM CHARGER AB	1
433	9120350	10-24 HEX NUT WITH NY-LOCK INSERT - PACK OF 10	4
434	7692421	TERMINAL BOOT (RED)	1
435	4491011	SOLENOID, 36 VOLT	1
436	9120930	9/32 I.D. X 5/8 O.D. X .051/.080 THICK FLAT WASHER (1/4) - PACK OF 10	2
437	9120900	1/4-20 HEX NUT WITH NY-LOCK INSERT - PACK OF 10	2
438	9121210	1/4-20 X 5/8 HEX BOLT - PACK OF 10	1
439	9120970	1/4 EXTERNAL STAR LOCK WASHER - PACK OF 10	1
440	4490561	INSULATED STANDOFF	1
441	9120880	1/4 SPLIT LOCK WASHER - PACK OF 10	1
442	9121170	1/4-20 X 1/2 HEX BOLT - PACK OF 10	1
443	3393481	FUSE DECAL	1
444	9121060	1/4-20 X 1 1/4 HEX BOLT - PACK OF 5	2
445	9122465	.516 I.D. X .813 O.D. X .027/.030 THICK FLAT WASHER - PACK OF 2	2
446	0691851	1/2 INTERNAL STAR LOCK WASHER	2
447	0798821	5/8" HEX NUT (LARGE NUT)	2
448	4491101	TOGGLE SWITCH, MOTOR	2
449	6496191	HANDLE BAR 2716	1
450	6496081	BEARING PLAIN SLEEVE .5 X .75 X .75 LONG	1
451	6496091	SPRING TORSION .81 I.D. .067 WIRE	1
452	6496171	COLLAR, SHAFT 1/2" SET SCREW	2
453	3393891	COLLAR, SHAFT 1/2"	2
454	9120270	8-32 X 7/8 ROUND HEAD PHILLIPS MACHINE SCREW - PACK OF 10	2
455	9120200	8 SPLIT LOCK WASHER - PACK OF 10	2

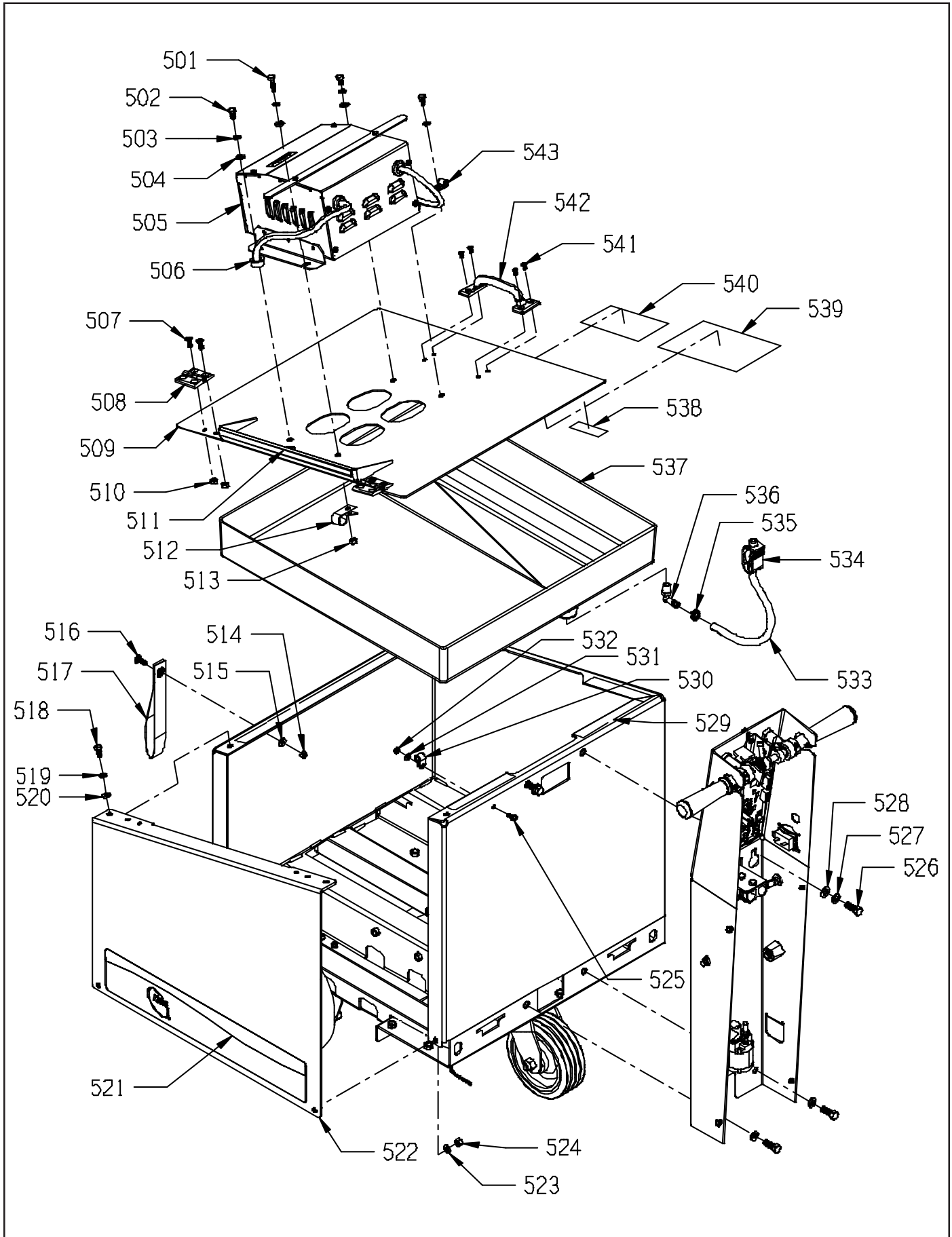


# CONTROL PANEL ASSEMBLY



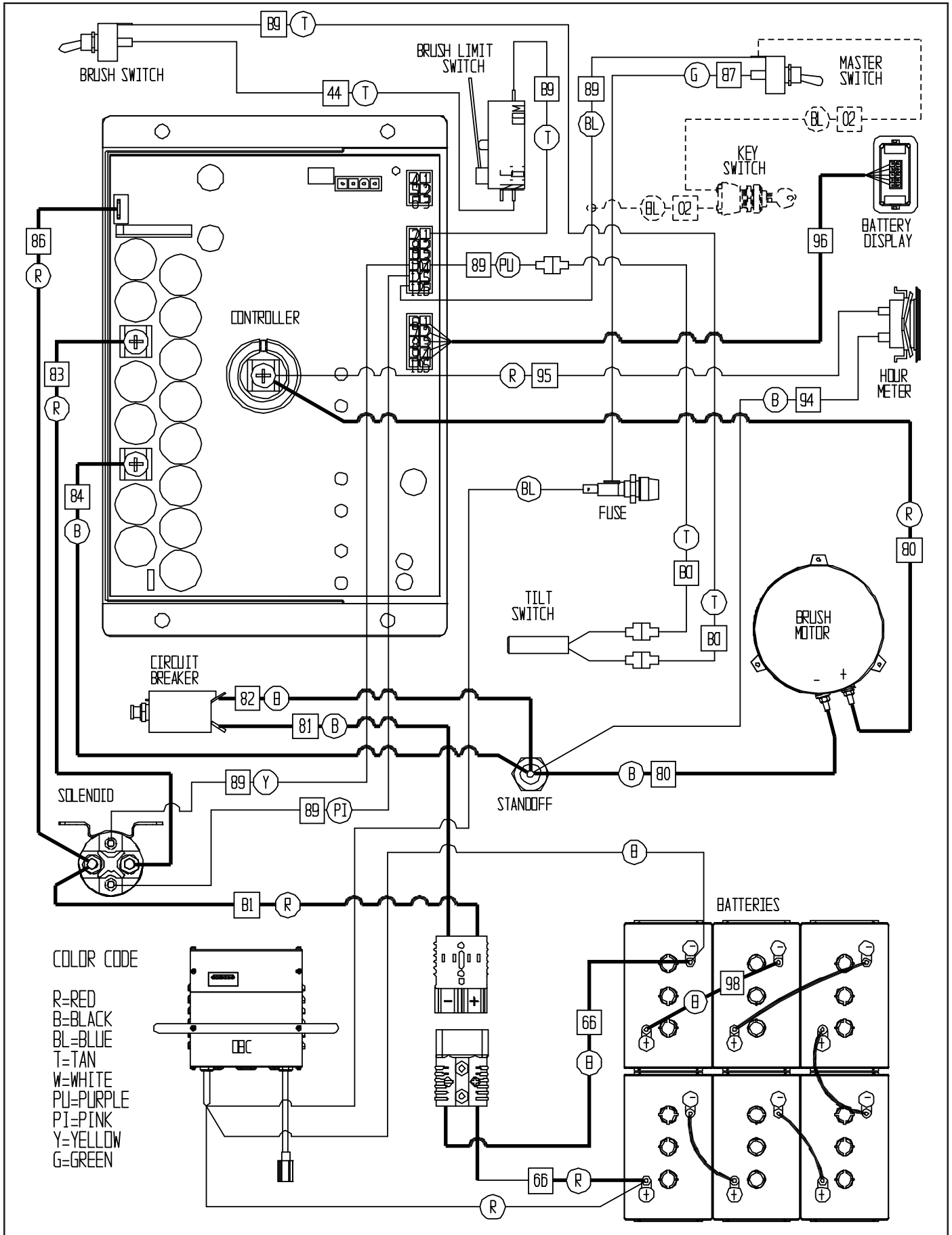
<u>ITEM</u>	<u>PART NO.</u>	<u>PART DESCRIPTION</u>	<u>QTY.</u>
501	9121270	1/4-20 X 1 HEX BOLT - PACK OF 10	1
502	9121210	1/4-20 X 5/8 HEX BOLT - PACK OF 10	3
503	9120880	1/4 SPLIT LOCK WASHER - PACK OF 10	4
504	9120930	9/32 I.D. X 5/8 O.D. X .051/.080 THICK FLAT WASHER (1/4) - PACK OF 10	3
505	6497531	36 VOLT ON-BOARD CHARGER 25A DP - 100/115/230 50/60HZ INPUT	1
505	6495701	120 VOLT ON-BOARD CHARGER CORD	1
505	6495711	240 VOLT ON-BOARD CHARGER CORD	1
505	2695841	BRACKET, MOUNTING CHARGER DP	2
505	2695861	CORD WRAP	1
506	4890451	BUSHING, SNAPIN, #SB87511 HEYCO	1
507	9121037	1/4-20 X 5/8 FLAT HEAD PHILLIPS MACHINE SCREW - PACK OF 10	8
508	6497811	HINGE, LID	2
509	6497221	LID, BODY	1
510	9120900	1/4-20 HEX NUT WITH NY-LOCK INSERT - PACK OF 10	8
511	9997590	METAL CORE QUICKEDGE TRIM - CUT TO 12"	1
512	4890851	CABLE CLAMP, #COV-090 KMC	1
513	9120900	1/4-20 HEX NUT WITH NY-LOCK INSERT - PACK OF 10	4
514	9120900	1/4-20 HEX NUT WITH NY-LOCK INSERT - PACK OF 10	1
515	9120930	9/32 I.D. X 5/8 O.D. X .051/.080 THICK FLAT WASHER (1/4) - PACK OF 10	1
516	9121010	1/4-20 X 3/4 TRUSS HEAD PHILLIPS MACHINE SCREW - PACK OF 5	1
517	6497051	BRUSH HEAD RETAINING STRAP	1
518	9121210	1/4-20 X 5/8 HEX BOLT - PACK OF 10	2
519	9120880	1/4 SPLIT LOCK WASHER - PACK OF 10	2
520	9120930	9/32 I.D. X 5/8 O.D. X .051/.080 THICK FLAT WASHER (1/4) - PACK OF 10	2
521	7691891	NSS LOGO DECAL - 3.5 X 20	1
522	6497231	SIDE PANEL	1
523	9120930	9/32 I.D. X 5/8 O.D. X .051/.080 THICK FLAT WASHER (1/4) - PACK OF 10	2
524	9120900	1/4-20 HEX NUT WITH NY-LOCK INSERT - PACK OF 10	2
525	9120520	10-24 X 5/8 TRUSS HEAD PHILLIPS MACHINE SCREW - PACK OF 10	1
526	9122260	3/8-16 X 1 HEX BOLT - PACK OF 2	4
527	9122100	3/8 SPLIT LOCK WASHER - PACK OF 10	4
528	9122180	13/32 I.D. X 13/16 O.D. X .051/.080 THICK WROUGHT WASHER (3/8) - PACK OF 10	2
529	9997560	VELCRO LOOP, PRESSURE SENSITIVE	4.5
530	4894071	CLAMP, .437 DIAMETER CABLE, HEYCO	1
531	9120370	7/32 I.D. X 1/2 O.D. X .032/.065 THICK FLAT WASHER (#10) - PACK OF 10	1
532	9120350	10-24 HEX NUT WITH NY-LOCK INSERT - PACK OF 10	1
533	8791070	VINYL HOSE, 3/8" I.D. X 1/2" O.D.	1.3
534	3390661	TUBING CONTROL VALVE	1
535	2392481	HOSE CLAMP, 7/32" - 5/8" DIAMETER	1
536	2490601	FITTING, ELL 3/8 BARB X 1/4 NPT	1
537	6497271	BATTERY TRAY	1
538	9997550	VELCRO HOOK, PRESSURE SENSITIVE	.5
539	6497581	DECAL, BATTERY CHARGING AND WARNING	1
540	3394141	BATTERY / CHARGER WARNING DECAL	1
541	9120390	10-24 X 3/8 FLAT HEAD PHILLIPS MACHINE SCREW - PACK OF 10	4
542	7692271	LIFT HANDLE	1
543	3291111	CORD CLAMP	1

# LID AND SIDE ASSEMBLY

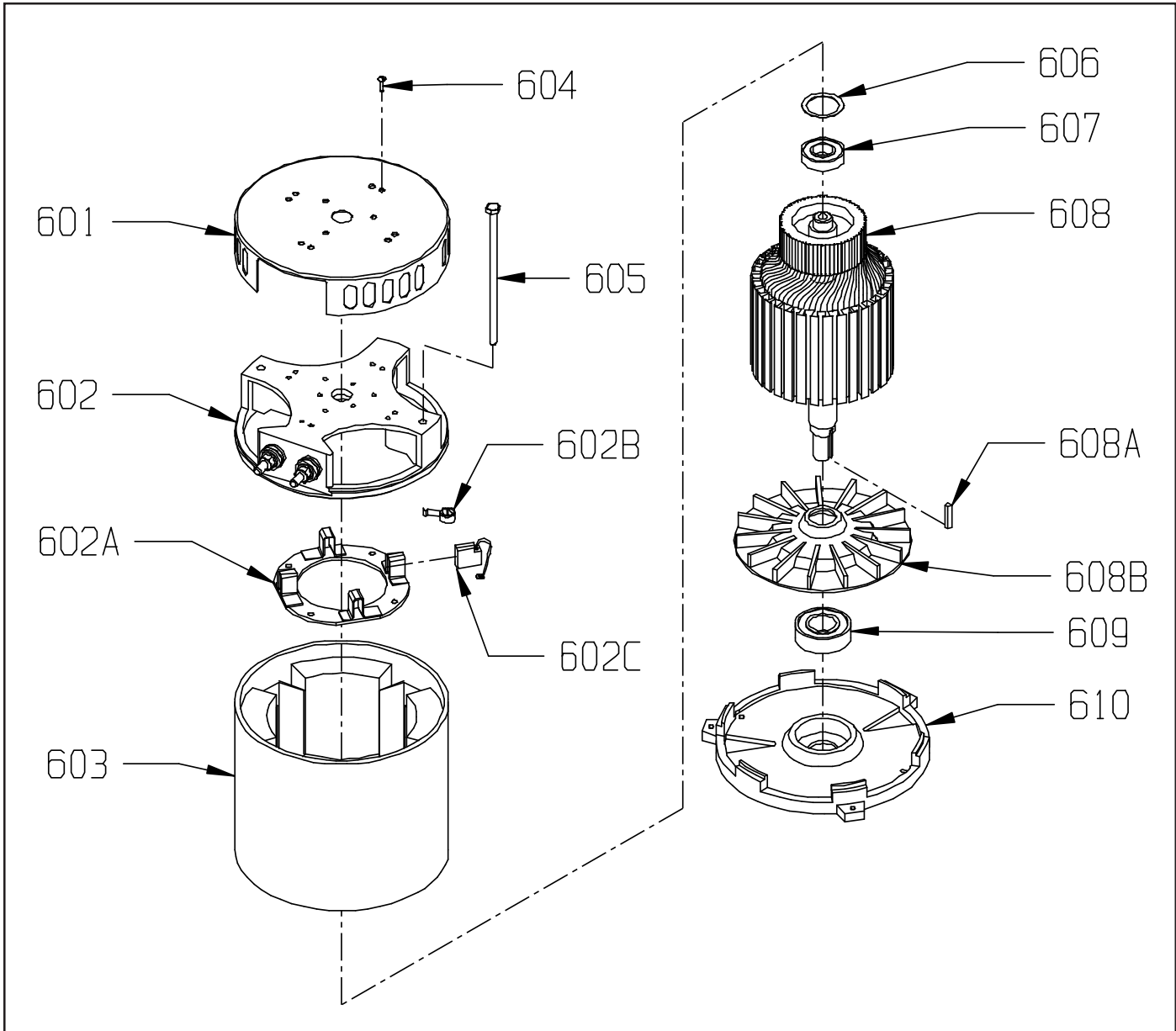


<u>ITEM</u>	<u>PART NO.</u>	<u>PART DESCRIPTION</u>	<u>QTY.</u>
44	6497441	WIRE, LIMIT SWITCH TO BRUSH SWITCH	1
66	7691661	WIRING ASSEMBLY ANDERSON TO BATTERY	1
80	6496801	WIRE HARNESS, BRUSH MOTOR	1
81	6496811	WIRE ASSEMBLY, ANDERSON - MACHINE	1
82	6496821	WIRE, BREAKER TO STANDOFF	1
83	6496831	WIRE, SOLENOID TO CONTROLLER	1
84	6496841	WIRE, CONROLLER TO STANDOFF	1
86	6497521	WIRE, SOLENOID TO AB CONTROLL	
87	6496871	WIRE, FUSE HOLDER - MASTER SWITCH	1
89	6497401	WIRE HARNESS, AB CONTROLLER - 12 PIN	1
94	6496941	WIRE, HOUR METER TO STANDOFF	1
95	6496951	WIRE, SPEED CONTROL - HOUR METER	1
98	2391981	BATTERY JUMPER 3/8" RING	5
--	4490561	INSULATED STANDOFF	1
--	4491011	SOLENOID, 36 VOLT	1
--	4491101	TOGGLE SWITCH, MOTOR	2
--	4990321	FUSE HOLDER WITH NUT & WASHER	1
--	4991371	FULLY INSULATED MALE TERMINAL 22-18	2
--	6491261	CIRCUIT BREAKER - 90 AMP	1
--	6497531	36 VOLT ON-BOARD CHARGER 25A DP - 100/115/230 50/60HZ INPUT	1
--	6495701	120 VOLT ON-BOARD CHARGER CORD	1
--	6495711	240 VOLT ON-BOARD CHARGER CORD	1
--	6495741	3AG FAST-ACTING FUSE 4 AMP	1
--	6496721	MOTOR - 36 VOLT, 2100 RPM, 3.6HP	1
--	6497451	CONTROLLER 2717 AB (0105-0001)	1
--	6496781	TILT SWITCH	1
--	6496971	BATTERY METER WITH HARNESS	1
--	6496981	BATTERY METER DISPLAY	1
--	6496961	WIRE HARNESS, BATTERY METER - 10 PIN	1
--	6497031	KEY SWITCH KIT (OPTIONAL) - INCLUDES:	1
--	2795711	KEY SWITCH & KEY	1
02	6497021	WIRE ASSEMBLY, KEY SWITCH	1

# WIRE DIAGRAM



## HEAD MOTOR



<u>ITEM</u>	<u>PART NO.</u>	<u>DESCRIPTION</u>	<u>QTY.</u>
	6496721	MOTOR 36 VOLT, 2100 RPM, 3.6 HP - INCLUDES:	1
601	5991731	COMMUTATOR BRACKET COVER	1
602	6493531	COMMUTATOR BRACKET ASSEMBLY - INCLUDES:	1
602	6493541	COMMUTATOR BRACKET	1
602A	6493601	BRUSH BOARD ASSEMBLY - INCLUDES:	1
602A1	6493591	SPRING	4
602A2	7692041	CARBON BRUSH	4
603	6493631	STATOR FRAME ASSEMBLY - WITH CLIPS AND MAGNETS - 3 HP	1
604	9120600	10-24 X 1/2 PAN HEAD PHILLIPS THREAD CUTTING SCREW - PK 10	4
605	6493621	1/4-20 X 9 HEX HEAD THRU BOLT - 3 HP	2
606	5991741	HELICAL WASHER - LARGE	1
607	5991551	BEARING - TOP END	1
608	6493651	ARMATURE - 2100 RPM - 3.6 HP - INCLUDES:	1
608A	9120827	3/16 SQUARE X 1 LONG KEY - STEEL - PACK OF 2	1
608B	6493571	ALUMINUM FAN	1
609	5991541	BEARING - BOTTOM END	1
610	6493551	END BRACKET - BOTTOM END	1

***BLANK***



**NSS ® Enterprises, Inc.**

3115 Frenchmens Road, Toledo, Ohio 43607

PHONE (419) 531-3761 FAX (419) 531-3761

**NSS ® Enterprises, Inc. European Distribution Centre**

Unit II, Pinfold Trading Estate \* 55 Nottingham Road

STAPLEFORD, NOTTINGHAM NG9 8AD ENGLAND U.K.

PHONE: (44) 0115 939 1568 \* FAX: (44) 0115 949 0615