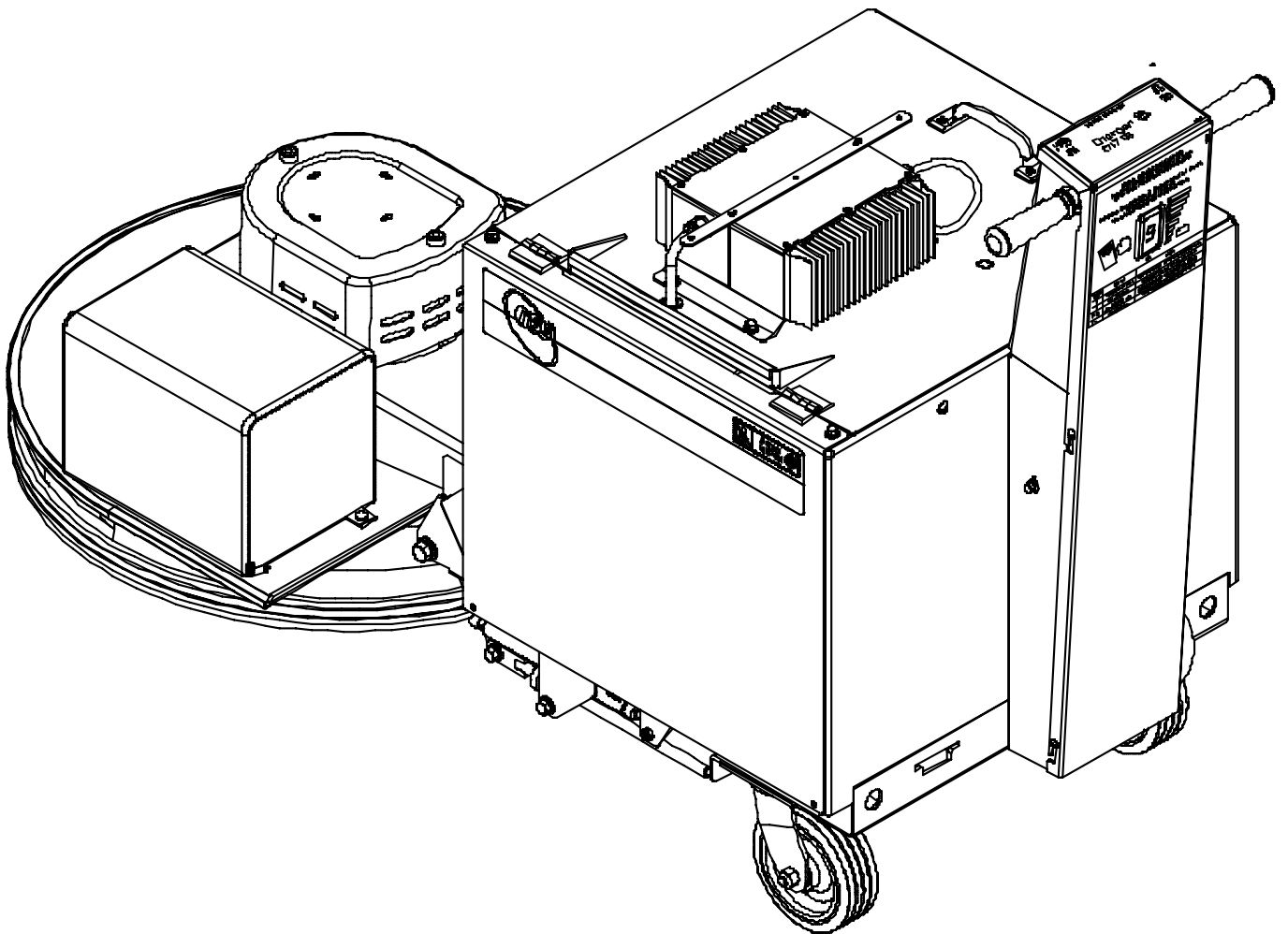
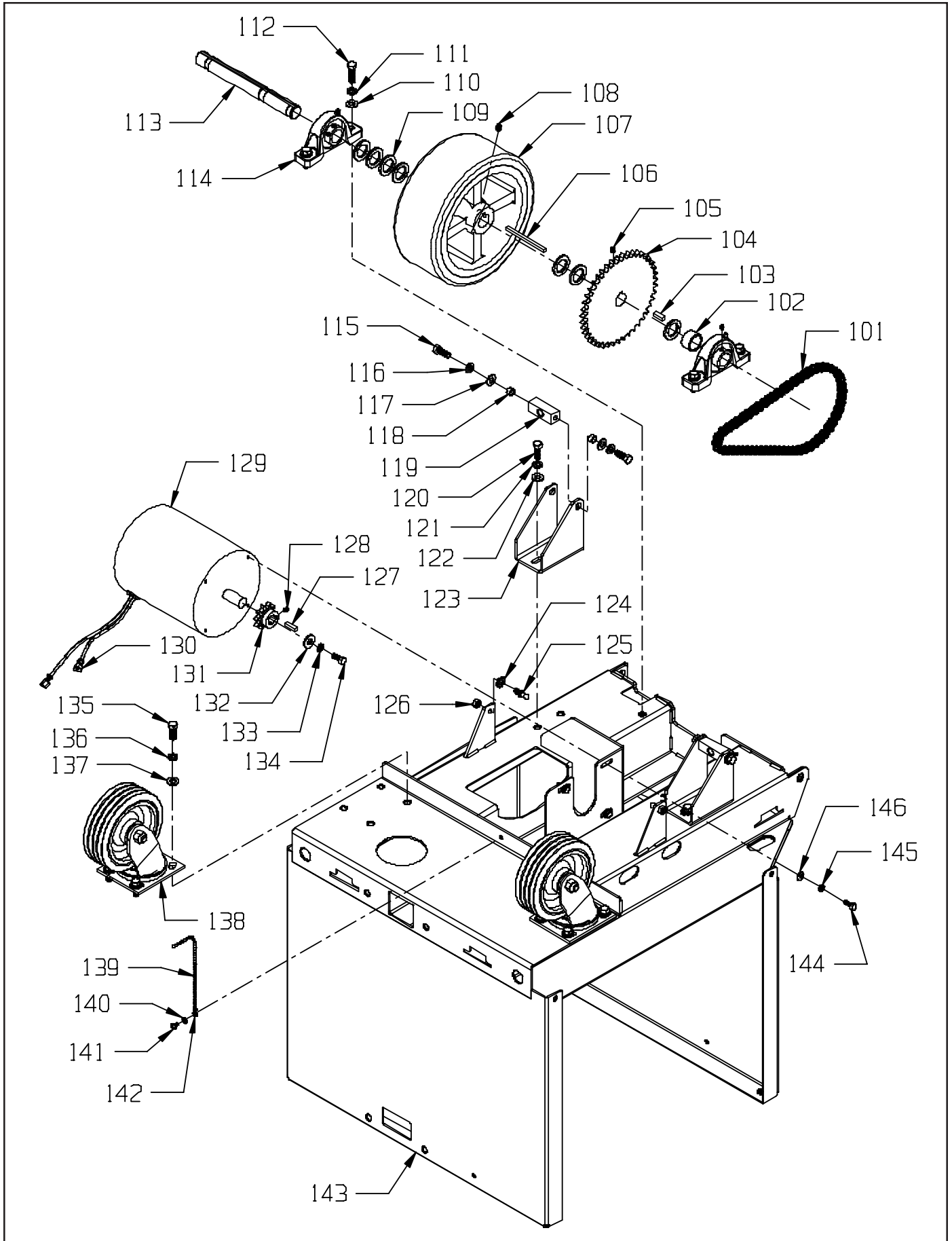


PARTS LIST  
**CHARGER 2717 DB**



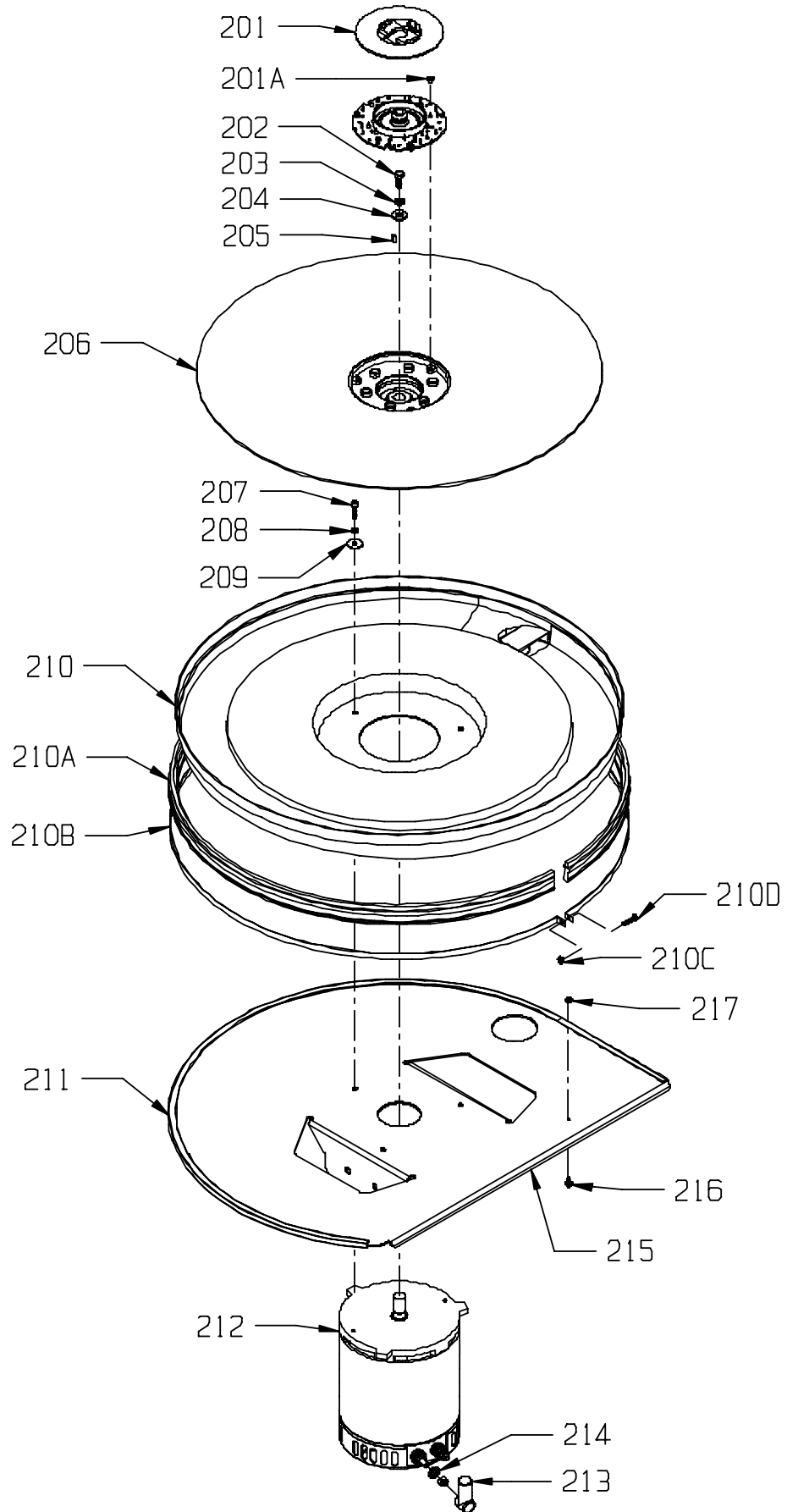
<u>ITEM</u>	<u>PART NO.</u>	<u>PART DESCRIPTION</u>	<u>QTY.</u>
101	3392949	#40 ROLLER CHAIN 63 LINKS WITH MASTER	1
	3392931	#40 ROLLER CHAIN 63 LINKS NO MASTER	1
	2795211	LINK - MASTER #40 CHAIN NICKEL PLATED	1
102	2692271	DRIVE WHEEL SPACER 1" 1.0 X .6875	1
103	9121310	1/4 SQUARE X 7/8 LONG KEY - STEEL - PACK OF 2	1
104	3392581	DRIVEN SPROCKET #43 TEETH	1
105	9120850	1/4-20 X 5/16 SET SCREW - KNURL POINT - PACK OF 2	2
106	9121317	1/4 SQUARE X 3 3/4 LONG KEY - PACK OF 2	1
107	6496521	10 INCH DRIVE WHEEL (GREY RUBBER)	1
108	9121380	5/16-18 X 3/8 SET SCREW - KNURL POINT - PACK OF 2	2
109	6590521	1 I.D. X 1.5 O.D. X .13 THICK FLAT WASHER - 10 GA	7
110	9122180	13/32 X 13/16 X .051 THICK WASHER - PACK OF 10	4
111	9122100	3/8 SPLIT LOCK WASHER - PACK OF 10	4
112	9122300	3/8-16 X 1 1/4 HEX BOLT - PACK OF 2	4
113	3392571	AXLE, DRIVE WHEEL	1
114	3393121	PILLOW BLOCK BEARING STRAIGHT ZERK	2
115	9122260	3/8-16 X 1 HEX BOLT - PACK OF 2	4
116	9122100	3/8 SPLIT LOCK WASHER - PACK OF 10	4
117	9122180	13/32 X 13/16 X .051 THICK WASHER - PACK OF 10	4
118	2691181	PIVOT SPACER, STABILIZER BAR	4
119	6495891	PIVOT	2
120	9122260	3/8-16 X 1 HEX BOLT - PACK OF 5	4
121	9122100	3/8 SPLIT LOCK WASHER - PACK OF 10	4
122	9122180	13/32 X 13/16 X .051 THICK WASHER - PACK OF 10	4
123	6496691	SPRING GUIDE PIVOT MOUNT	2
124	9121410	5/16 EXTERNAL STAR LOCK WASHER - PACK OF 10	2
125	6496541	BALL STUD - GAS SPRING MOUNT	2
126	9121420	5/16-18 HEX NUT - PACK OF 10	2
127	2792681	1/4" X 1/4" X 1" MOTOR KEY	1
128	9120850	1/4-20 X 5/16 SET SCREW - KNURL POINT - PACK OF 2	2
129	2790101	DRIVE MOTOR 36 VOLT	1
130	2690581	1/4 SPADE MALE TERMINAL 10-12 YELLOW	2
131	2695011	DRIVE SPROCKET, MOTOR WITH SET SCREW	1
132	9121400	3/8 I.D. 7/8 O.D. WROUGHT WASHER 5/16 - PACK OF 10	1
133	9121520	5/16 SPLIT LOCK WASHER - PACK OF 10	1
134	9121640	5/16-18 X 3/4 HEX BOLT - PACK OF 5	1
135	9122260	3/8-16 X 1 HEX BOLT - PACK OF 5	8
136	9122100	3/8 SPLIT LOCK WASHER - PACK OF 10	8
137	9122180	13/32 X 13/16 X .051 THICK WASHER - PACK OF 10	8
138	3392591	6" X 2" MAROON CASTER ASSEMBLY	2
139	6491860	ROUND BEAD CHAIN - CUT TO 8"	.7
140	9120330	#10 EXTERNAL STAR LOCK WASHER - PACK OF 10	1
141	9120380	10-24 X 3/8 ROUND HEAD PHILLIPS MACHINE SCREW - PACK OF 10	1
142	6491871	END COUPLING ROUND BEAD CHAIN	1
143	6496561	CHASSIS / BODY	1
144	9121250	1/4-20 X 3/4 HEX BOLT - PACK OF 10	4
145	9120880	1/4 SPLIT LOCK WASHER - PACK OF 10	4
146	9120930	9/32 I.D. X 5/8 O.D. FLAT WASHER (1/4) - PACK OF 10	4

# CHASSIS AND DRIVE ASSEMBLY



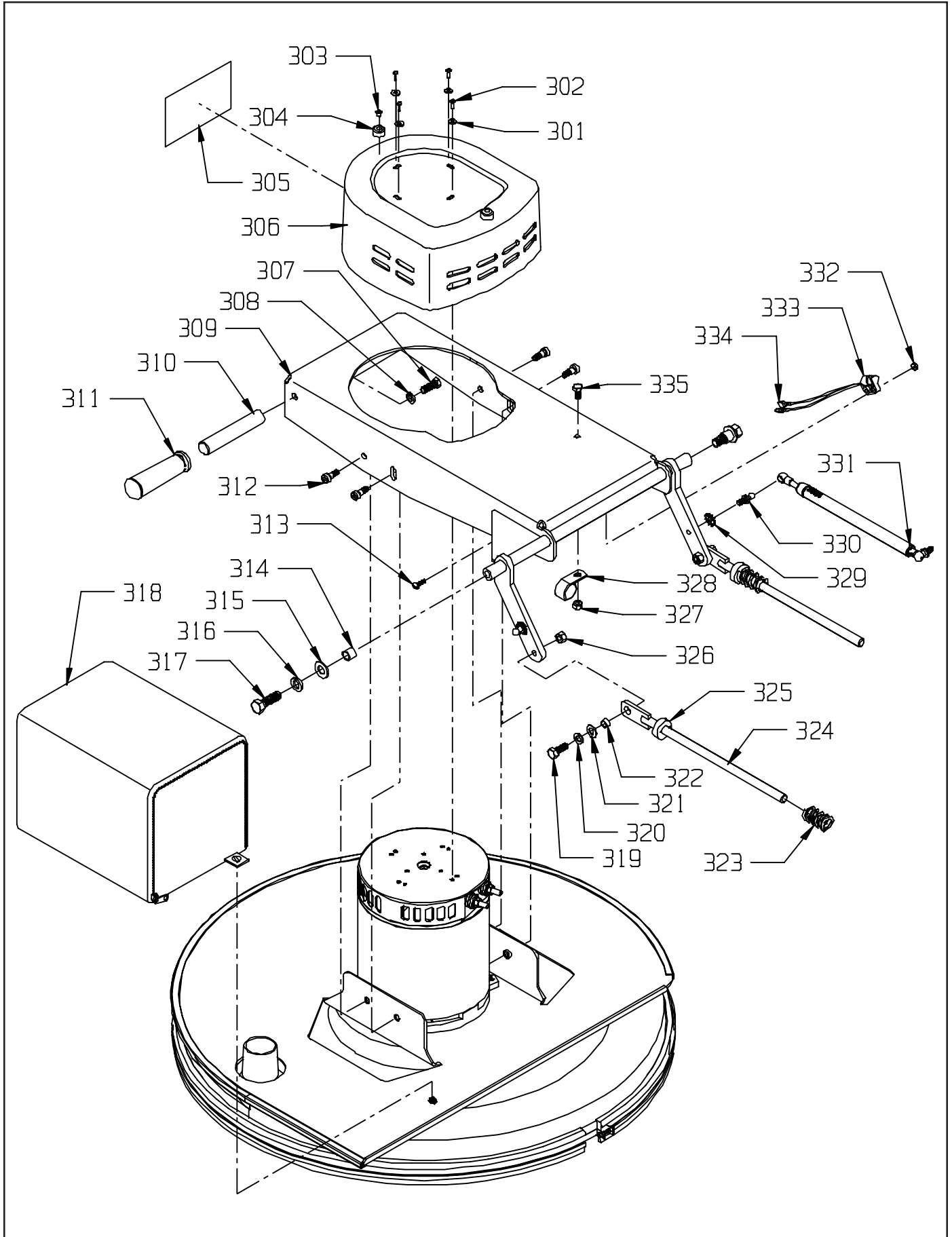
<u>ITEM</u>	<u>PART NO.</u>	<u>PART DESCRIPTION</u>	<u>QTY.</u>
201	5990731	SPRING CLIP PAD HOLDER SET - INCLUDES:	1
201A	9120205	8 X 1/2 PAN HEAD PHILLIPS SHEET METAL SCREW - PACK OF 3	3
202	9121490	5/16-24 X 7/8 HEX BOLT - PACK OF 2	1
203	9121520	5/16 SPLIT LOCK WASHER - PACK OF 10	1
204	9121985	13/32 I.D. X 1 O.D. X .12 THICK FLAT WASHER 11 GAGE - PACK OF 1	1
205	9120827	3/16 SQUARE X 1" LONG KEY - STEEL - PACK OF 2	1
206	6492558	DRIVER, PAD - 27" ASSEMBLED AND BALANCED	1
207	9120980	1/4-20 X 1 SOCKET HEAD CAP SCREW - PACK OF 5	3
208	9120880	1/4 SPLIT LOCK WASHER - PACK OF 10	3
209	9120950	1/4 X 1 1/4 FENDER WASHER - PACK OF 10	3
210	6496519	FLEXIWALL SHIELD 27 ASSEMBLY - INCLUDES:	1
210A	6592531	BUMPER / BRUSH 27"	1
210B	6592552	BUMPER STRAP 27	1
210C	9120350	10-24 HEX NUT WITH NY-LOCK INSERT - PACK OF 10	1
210D	9120450	10-24 X 1 ROUND HEAD PHILLIPS MACHINE SCREW - PACK OF 10	1
211	9997590	METAL CORE QUICKEDGE TRIM - CUT TO 67"	5.6
212	6496721	MOTOR - 36 VOLT, 2100 RPM, 3.6HP	1
213	7692421	TERMINAL BOOT (RED)	1
214	9121410	5/16 EXTERNAL STAR LOCK WASHER - PACK OF 10	2
215	6496621	STEEL SKIRT - 27"	1
216	6496881	STUD WITH #10-32 X 3/8, FILTER BAG	1
217	9120660	10-32 X HEX NUT WITH NY-LOCK INSERT - PACK OF 10	1

# HEAD ASSEMBLY



<u>ITEM</u>	<u>PART NO.</u>	<u>PART DESCRIPTION</u>	<u>QTY.</u>
301	9120600	10-24 X 1/2 PAN HEAD PHILLIPS THREAD CUTTING SCREW - PACK OF 10	4
302	9120370	7/32 I.D. X 1/2 O.D. X .032/.065 THICK FLAT WASHER (#10) - PACK OF 10	4
303	9120205	8 X 1/2 PAN HEAD PHILLIPS SHEET METAL SCREW - PACK OF 3	2
304	6793371	RUBBER FOOT	2
305	7692311	CLOUD BURST DECAL - 3.5 X 5.5	1
306	6496641	MOTOR COVER	1
307	9122260	3/8-16 X 1 HEX BOLT - PACK OF 2	1
308	9122100	3/8 SPLIT LOCK WASHER - PACK OF 10	1
309	6496631	ARM, BRUSH ASSEMBLY	1
310	6496651	GRIP BASE	1
311	3392901	HANDLE GRIP	1
312	9122020	3/8 X 3/8 SOCKET HEAD SHOULDER BOLT - PACK OF 1	4
313	9120530	10-24 X 7/8 TRUSS HEAD PHILLIPS MACHINE SCREW - PACK OF 5	2
314	2790751	BUSHING SPACER	2
315	9122450	17/32 I.D. X 1 1/16 O.D. X .074/.121 THICK FLAT WASHER (1/2) - PACK OF 5	2
316	9122420	1/2 SPLIT LOCK WASHER - PACK OF 5	2
317	9122550	1/2-13 X 1 1/2 HEX BOLT - PACK OF 1	2
318	6496711	BAG, FILTER MEDIA	1
319	9122300	3/8-16 X 1 1/4 HEX BOLT - PACK OF 2	2
320	9122100	3/8 SPLIT LOCK WASHER - PACK OF 10	2
321	9122180	13/32 I.D. X 13/16 O.D. X .051/.080 THICK FLAT WASHER (3/8) - PACK OF 10	2
322	2691181	PIVOT SPACER, STABILIZER BAR	2
323	6496671	COMPRESSION SPRING 1.75 X .935 O.D.	2
324	6496681	GUIDE, SPRING	2
325	3393891	COLLAR, SHAFT 1/2"	2
326	9122140	3/8-16 HEX NUT WITH NY-LOCK INSERT - PACK OF 5	2
327	9121450	5/16-18 HEX NUT WITH NY-LOCK INSERT - PACK OF 5	1
328	2395761	CLAMP, TUBE	1
329	9121410	5/16 EXTERNAL STAR LOCK WASHER - PACK OF 10	2
330	6496541	BALL STUD - GAS SPRING MOUNT	2
331	6496531	GAS SPRING (GGS 23-120 I) - INCLUDES:	2
	6496771	SPRING CLIP	2
332	9120350	10-24 HEX NUT WITH NY-LOCK INSERT - PACK OF 10	2
333	6496781	TILT SWITCH	1
334	4991371	FULLY INSULATED MALE TERMINAL 22-18 GAGE	2
335	9121600	5/16-18 X 5/8 HEX NUT - PACK OF 5	1

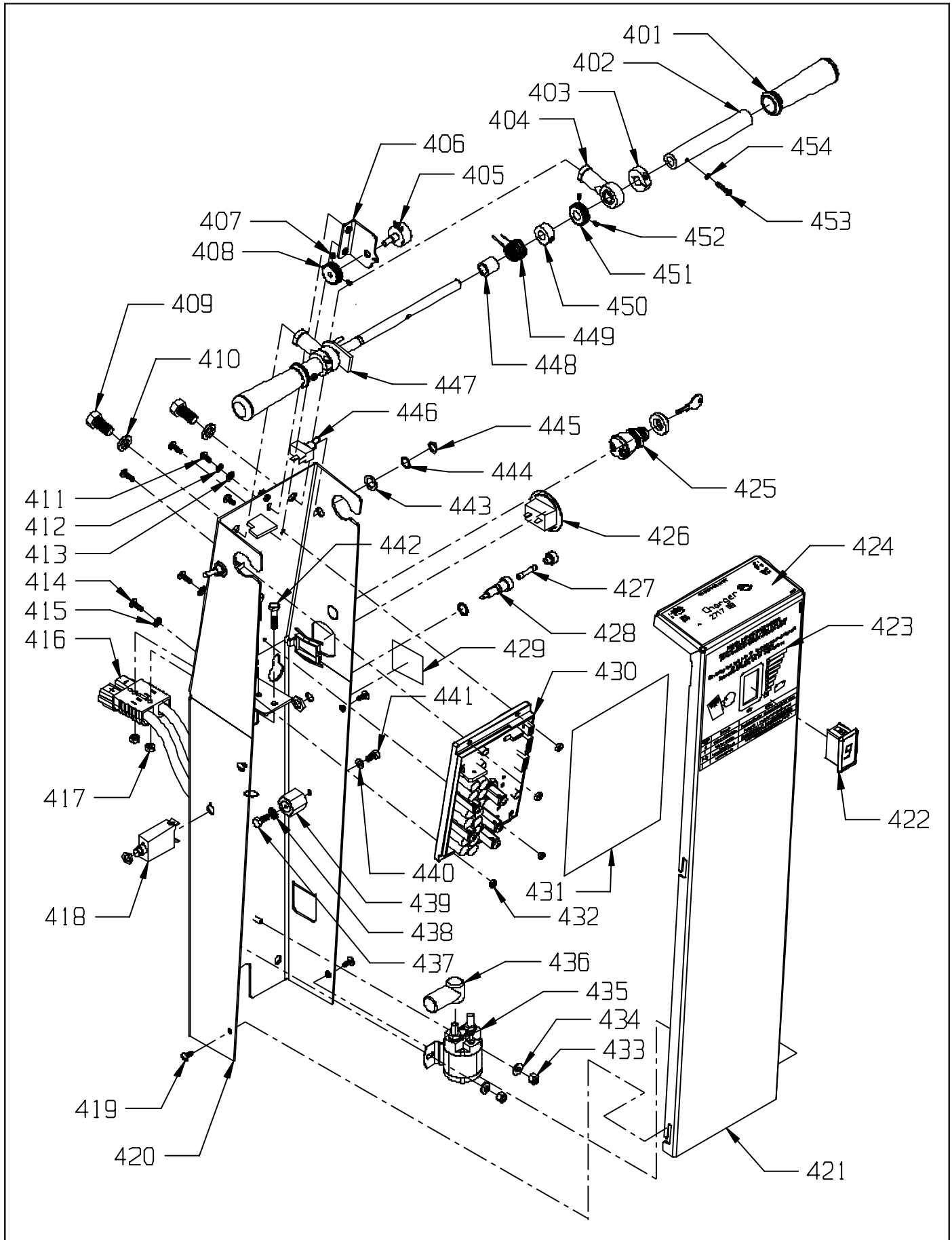
# HEAD ARM ASSEMBLY



<u>ITEM</u>	<u>PART NO.</u>	<u>PART DESCRIPTION</u>	<u>QTY.</u>
401	3392901	HANDLE GRIP	2
402	2691871	HANDLE GRIP BASE	2
403	3393891	COLLAR, SHAFT 1/2"	2
404	2391941	BALL JOINT	2
405	2694131	POTENTIOMETER	1
406	6496991	POTENTIOMETER BRACKET	1
407	9120170	8-32 X 3/16 SET SCREW - KNURL POINT - STEEL - PACK OF 5	2
408	2691941	DRIVEN GEAR, POTENTIOMETER	1
409	9122700	1/2-20 X 1 HEX BOLT - PACK OF 2	2
410	9122420	1/2 SPLIT LOCK WASHER - PACK OF 5	2
411	9120510	10-24 X 1/2 TRUSS HEAD PHILLIPS MACHINE SCREW - PACK OF 10	2
412	9120330	10 EXTERNAL STAR LOCK WASHER - PACK OF 10	2
413	9120370	7/32 I.D. X 1/2 O.D. X .032/.065 THICK FLAT WASHER (#10) - PACK OF 10	2
414	9120430	10-24 X 3/4 ROUND HEAD PHILLIPS MACHINE SCREW - PACK OF 10	4
415	9120370	7/32 I.D. X 1/2 O.D. X .032/.065 THICK FLAT WASHER (#10) - PACK OF 10	4
416	6496811	WIRE ASSEMBLY, ANDERSON - MACHINE - INCLUDES:	1
	6491841	175 AMP ANDERSON WITH CONTACTS GRAY 36 VOLT	1
417	9120900	1/4-20 HEX NUT WITH NY-LOCK INSERT - PACK OF 10	2
418	6491261	CIRCUIT BREAKER - 90 AMP	1
419	9120510	10-24 X 1/2 TRUSS HEAD PHILLIPS MACHINE SCREW - PACK OF 10	5
420	6496601	CONTROL FRAME	1
421	6496611	CONTROL FRAME COVER	1
422	6496971	BATTERY METER WITH HARNESS - INCLUDES:	1
	6496981	BATTERY METER DISPLAY	1
	6496961	WIRE HARNESS, BATTERY METER - 10 PIN	1
423	6496761	BATTERY METER/CODES DECAL	1
424	6496741	NAMING LABEL, CHARGER 2717 DB	1
425	6497031	KEY SWITCH KIT (OPTIONAL) - INCLUDES:	1
	2795711	KEY SWITCH & KEY	1
	6497021	WIRE ASSEMBLY, KEY SWITCH	1
426	2397361	HOUR METER	1
427	6495741	3AG FAST-ACTING FUSE 4 AMP	1
428	4990321	FUSE HOLDER WITH NUT & WASHER	1
429	3393481	FUSE DECAL	1
430	6496731	SPEED CONTROL, DRIVE AND BRUSH	1
	9120970	1/4 EXTERNAL STAR LOCK WASHER - PACK OF 10	5
	9120985	1/4-28 X 3/8 PAN HEAD PHILLIPS MACHINE SCREW	5
431	6496751	DECAL, WIRING DIAGRAM	1
432	9120350	10-24 HEX NUT WITH NY-LOCK INSERT - PACK OF 10	4
433	9120900	1/4-20 HEX NUT WITH NY-LOCK INSERT - PACK OF 10	2
434	9120930	9/32 I.D. X 5/8 O.D. X .051/.080 THICK FLAT WASHER (1/4) - PACK OF 10	2
435	4491011	SOLENOID, 36 VOLT	1
436	7692421	TERMINAL BOOT (RED)	1
437	9121210	1/4-20 X 5/8 HEX BOLT - PACK OF 10	1
438	9120970	1/4 EXTERNAL STAR LOCK WASHER - PACK OF 10	1
439	4490561	INSULATED STANDOFF	1
440	9120880	1/4 SPLIT LOCK WASHER - PACK OF 10	1
441	9121170	1/4-20 X 1/2 HEX BOLT - PACK OF 10	1
442	9121060	1/4-20 X 1 1/4 HEX BOLT - PACK OF 5	2
443	9122465	.516 I.D. X .813 O.D. X .027/.030 THICK FLAT WASHER - PACK OF 2	2
444	0691851	1/2 INTERNAL STAR LOCK WASHER	2
445	0798821	5/8" HEX NUT (LARGE NUT)	2
446	4491101	TOGGLE SWITCH, MOTOR	2
447	6496191	HANDLE BAR 2716	1
448	6496081	BEARING PLAIN SLEEVE .5 X .75 X .75 LONG	1
449	6496091	SPRING TORSION .81 I.D. .067 WIRE	1
450	6496171	COLLAR, SHAFT 1/2" SET SCREW	1
451	2691931	DRIVE GEAR, HANDLE BAR	1
452	9120170	8-32 X 3/16 SET SCREW - KNURL POINT - STEEL - PACK OF 5	2
453	9120270	8-32 X 7/8 ROUND HEAD PHILLIPS MACHINE SCREW - PACK OF 10	2
454	9120200	8 SPLIT LOCK WASHER - PACK OF 10	2

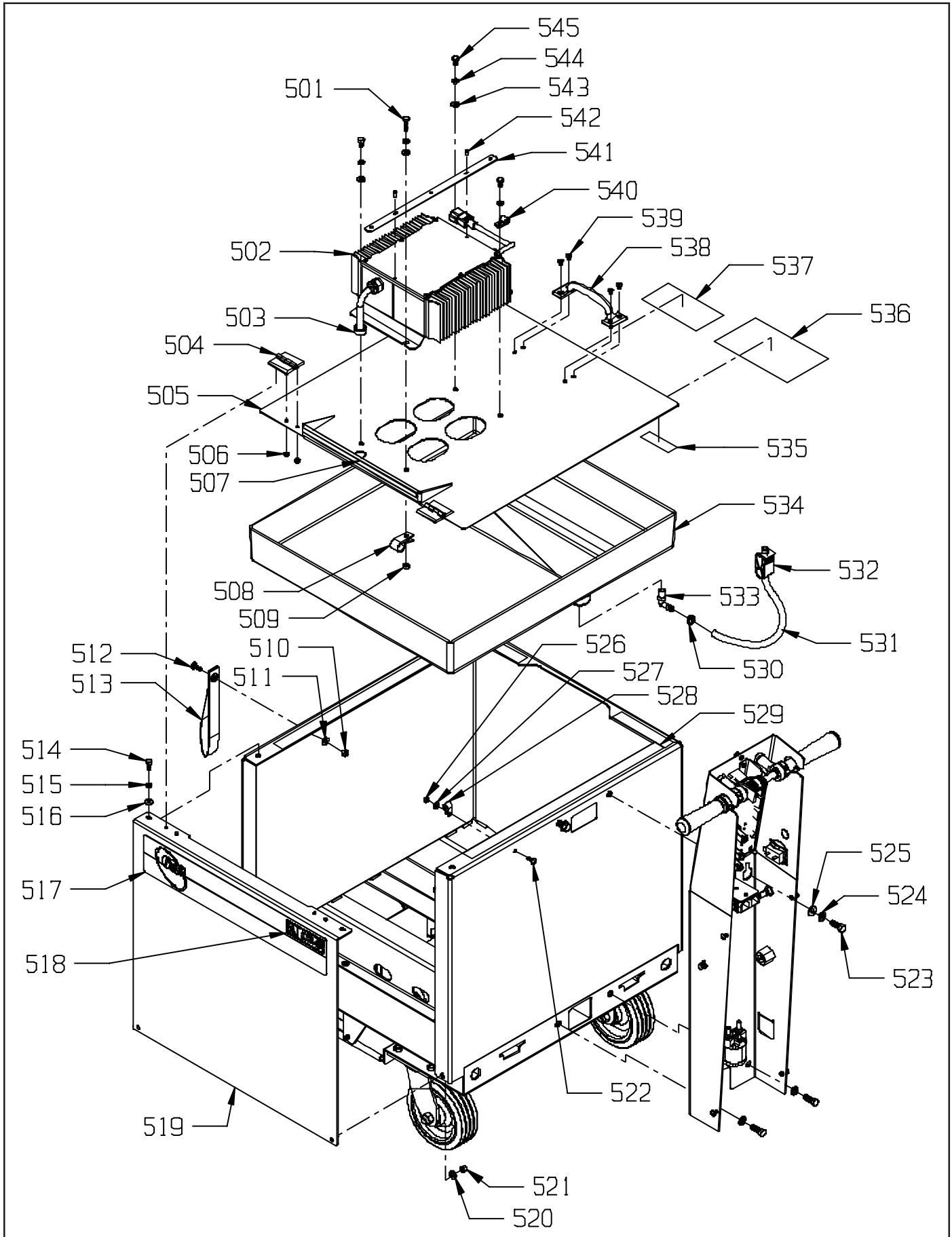


# CONTROL PANEL ASSEMBLY



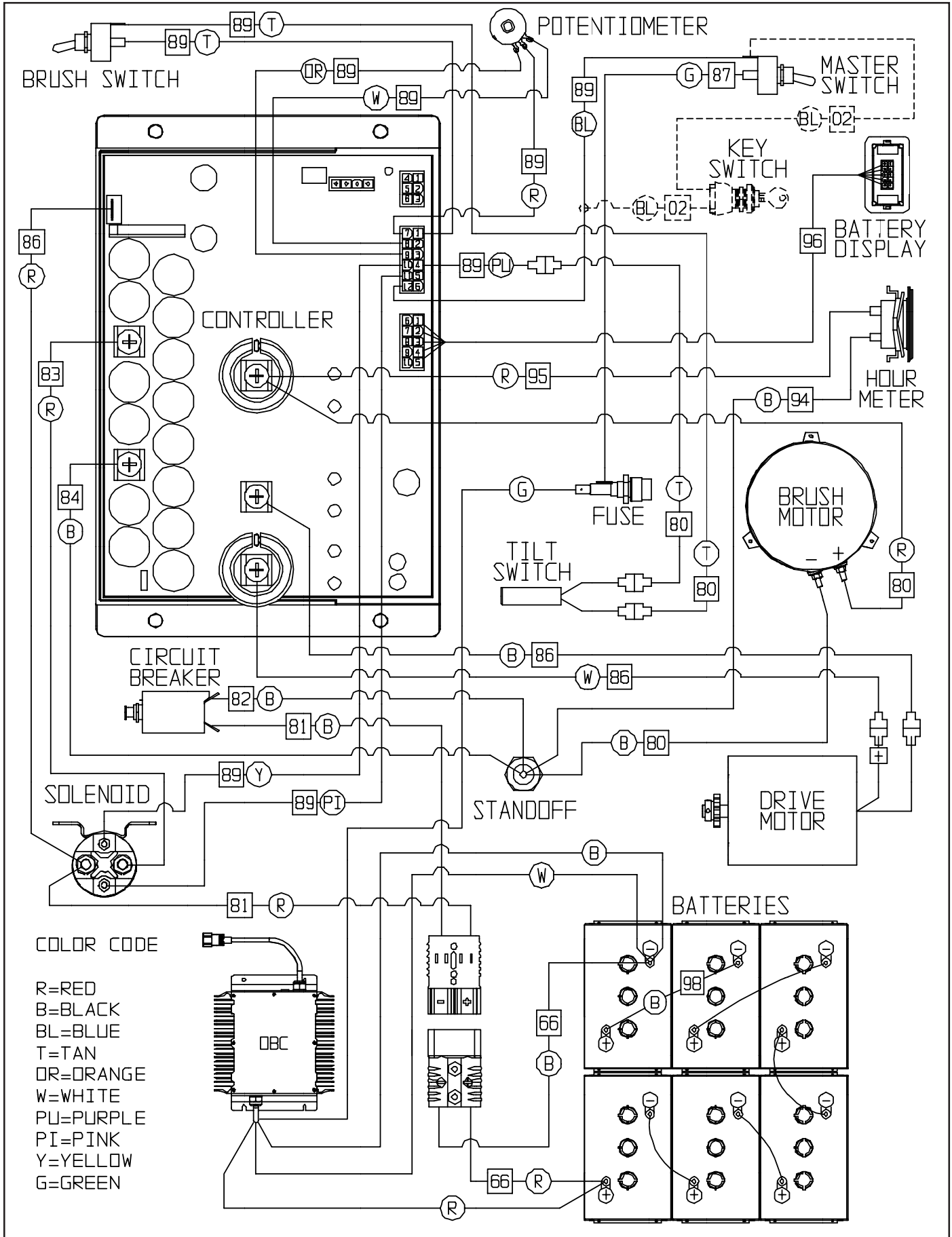
<u>ITEM</u>	<u>PART NO.</u>	<u>PART DESCRIPTION</u>	<u>QTY.</u>
501	9121270	1/4-20 X 1 HEX BOLT - PACK OF 10	1
502	6495691	36 VOLT ON-BOARD CHARGER 120/240 VOLT 21 AMP	1
502	6495701	120 VOLT ON-BOARD CHARGER CORD	1
502	6495711	240 VOLT ON-BOARD CHARGER CORD	1
503	4890451	BUSHING, SNAPIN, #SB87511 HEYCO	1
504	6496591	BATTERY BOX COVER HINGE	2
505	6496571	LID, BODY	1
506	9120837	M6 HEX NUT WITH NY-LOCK INSERT - PACK OF 8	8
507	9997590	METAL CORE QUICKEDGE TRIM - CUT TO 12"	1
508	4890851	CABLE CLAMP, #COV-090 KMC	1
509	9120900	1/4-20 HEX NUT WITH NY-LOCK INSERT - PACK OF 10	4
510	9120900	1/4-20 HEX NUT WITH NY-LOCK INSERT - PACK OF 10	1
511	9120930	9/32 I.D. X 5/8 O.D. X .051/.080 THICK FLAT WASHER (1/4) - PACK OF 10	1
512	9121010	1/4-20 X 3/4 TRUSS HEAD PHILLIPS MACHINE SCREW - PACK OF 5	1
513	6497001	BRUSH HEAD RETAINING STRAP	1
514	9121210	1/4-20 X 5/8 HEX BOLT - PACK OF 10	2
515	9120880	1/4 SPLIT LOCK WASHER - PACK OF 10	2
516	9120930	9/32 I.D. X 5/8 O.D. X .051/.080 THICK FLAT WASHER (1/4) - PACK OF 10	2
517	7691891	CLOUD BURST DECAL - 3.5 X 20	2
518	3394001	TWISTER APPROVED DECAL	2
519	6496581	SIDE PANEL	1
520	9120930	9/32 I.D. X 5/8 O.D. X .051/.080 THICK FLAT WASHER (1/4) - PACK OF 10	2
521	9120900	1/4-20 HEX NUT WITH NY-LOCK INSERT - PACK OF 10	2
522	9120520	10-24 X 5/8 TRUSS HEAD PHILLIPS MACHINE SCREW - PACK OF 10	1
523	9122260	3/8-16 X 1 HEX BOLT - PACK OF 2	4
524	9122100	3/8 SPLIT LOCK WASHER - PACK OF 10	4
525	9122180	13/32 I.D. X 13/16 O.D. X .051/.080 THICK WROUGHT WASHER (3/8) - PACK OF 10	2
526	9120350	10-24 HEX NUT WITH NY-LOCK INSERT - PACK OF 10	1
527	9120370	7/32 I.D. X 1/2 O.D. X .032/.065 THICK FLAT WASHER (#10) - PACK OF 10	1
528	4894071	CLAMP, .437 DIAMETER CABLE, HEYCO	1
529	9997560	VELCRO LOOP, PRESSURE SENSITIVE	4.5
530	2392481	HOSE CLAMP, 7/32" - 5/8" DIAMETER	1
531	8791070	VINYL HOSE, 3/8" I.D. X 1/2" O.D.	1.3
532	3390661	TUBING CONTROL VALVE	1
533	2490601	FITTING, ELL 3/8 BARB X 1/4 NPT	1
534	6496551	BATTERY TRAY	1
535	9997550	VELCRO HOOK, PRESSURE SENSITIVE	.5
536	6497011	DECAL, BATTERY WARNING - OBC	1
537	3393991	OBC WARNING DECAL	1
538	7692271	LIFT HANDLE	1
539	9120390	10-24 X 3/8 FLAT HEAD PHILLIPS MACHINE SCREW - PACK OF 10	4
540	3291111	CORD CLAMP	1
541	2491283	CORD WRAP - OBC	1
542	9120085	M3.5 X 19 PAN HEAD PHILLIPS MACHINE SCREW - PACK OF 1	2
543	9120930	9/32 I.D. X 5/8 O.D. X .051/.080 THICK FLAT WASHER (1/4) - PACK OF 10	3
544	9120880	1/4 SPLIT LOCK WASHER - PACK OF 10	4
545	9121210	1/4-20 X 5/8 HEX BOLT - PACK OF 10	3

# LID AND SIDE ASSEMBLY

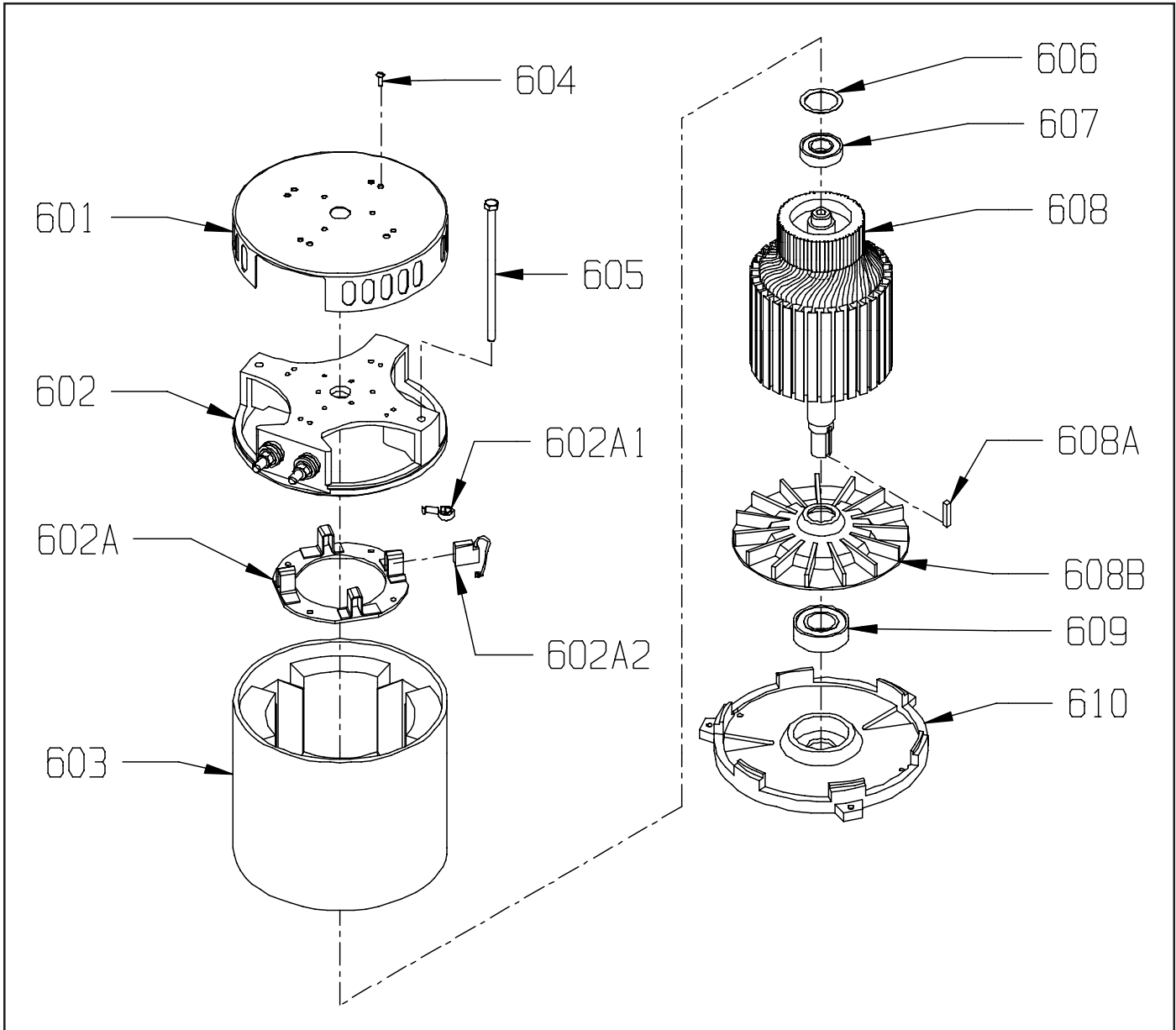


<u>ITEM</u>	<u>PART NO.</u>	<u>PART DESCRIPTION</u>	<u>QTY.</u>
66	7691661	WIRING ASSEMBLY ANDERSON TO BATTERY	1
80	6496801	WIRE HARNESS, BRUSH MOTOR	1
81	6496811	WIRE ASSEMBLY, ANDERSON - MACHINE	1
82	6496821	WIRE, BREAKER TO STANDOFF	1
83	6496831	WIRE, SOLENOID TO CONTROLLER	1
84	6496841	WIRE, CONROLLER TO STANDOFF	1
86	6496861	WIRE, CONTROLLER TO DRIVE MOTOR	1
87	6496871	WIRE, FUSE HOLDER - MASTER SWITCH	1
89	6496891	WIRE HARNESS, CONTROLLER - 12 PIN	1
94	6496941	WIRE, HOUR METER TO STANDOFF	1
95	6496951	WIRE, SPEED CONTROL - HOUR METER	1
98	2391981	BATTERY JUMPER 3/8" RING	5
-	2490581	1/4 SPADE MALE TERMINAL 10-12 YELLOW	2
-	2694131	POTENTIOMETER	1
-	2790101	DRIVE MOTOR 36 VOLT	1
-	4490561	INSULATED STANDOFF	1
-	4491011	SOLENOID, 36 VOLT	1
-	4491101	TOGGLE SWITCH, MOTOR	2
-	4990321	FUSE HOLDER WITH NUT & WASHER	1
-	4991371	FULLY INSULATED MALE TERMINAL 22-18	2
-	6491261	CIRCUIT BREAKER - 90 AMP	1
-	6495691	36 VOLT ON-BOARD CHARGER 120/240 VOLT 21 AMP	1
-	6495701	120 VOLT ON-BOARD CHARGER CORD	1
-	6495711	240 VOLT ON-BOARD CHARGER CORD	1
-	6495741	3AG FAST-ACTING FUSE 4 AMP	1
-	6496721	MOTOR - 36 VOLT, 2100 RPM, 3.6HP	1
-	6496731	SPEED CONTROL, DRIVE AND BRUSH	1
-	6496781	TILT SWITCH	1
-	6496971	BATTERY METER WITH HARNESS	1
-	6496981	BATTERY METER DISPLAY	1
-	6496961	WIRE HARNESS, BATTERY METER - 10 PIN	1
-	6497031	KEY SWITCH KIT (OPTIONAL) - INCLUDES:	1
-	2795711	KEY SWITCH & KEY	1
02	6497021	WIRE ASSEMBLY, KEY SWITCH	1

# WIRE DIAGRAM

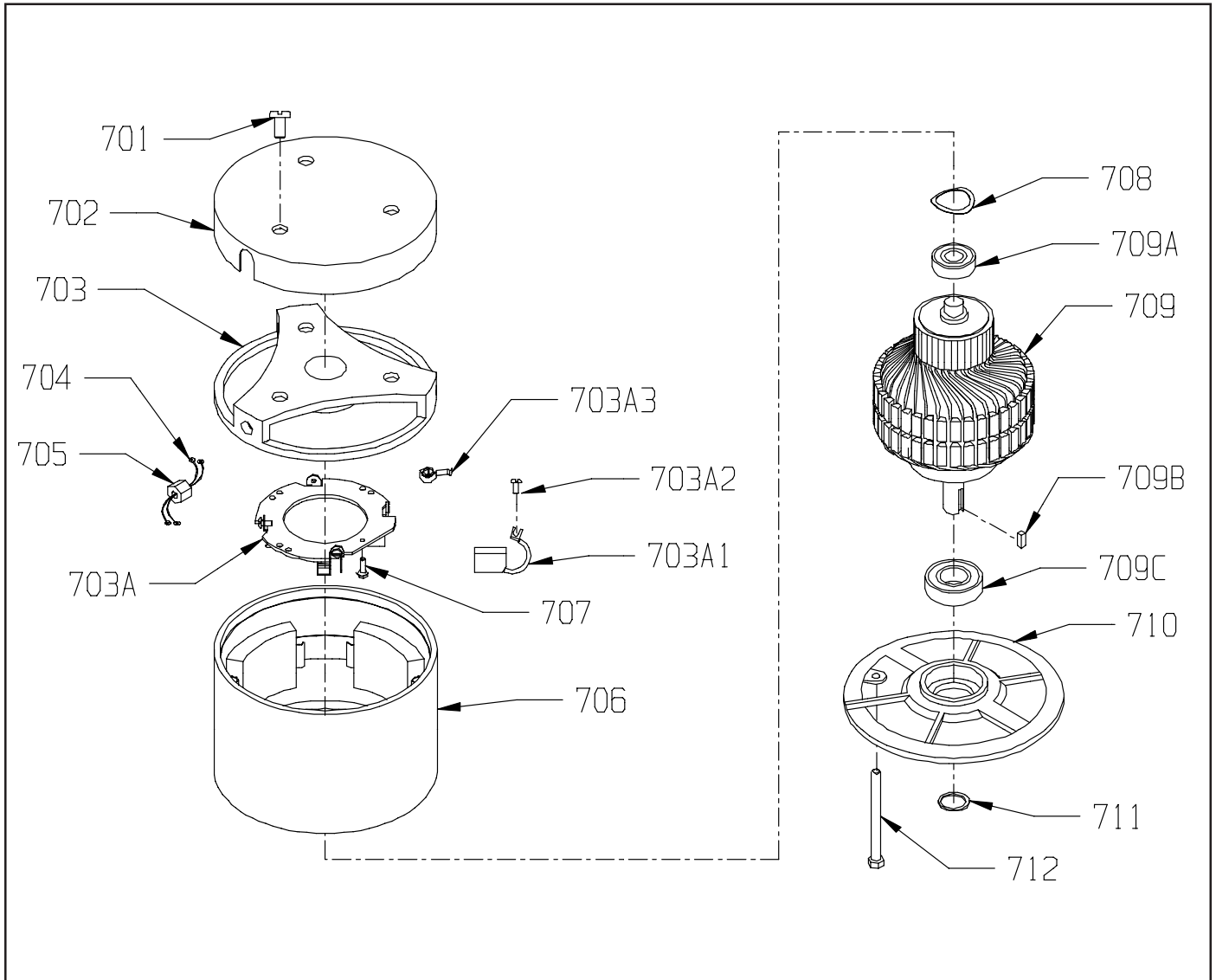


## HEAD MOTOR



<u>ITEM</u>	<u>PART NO.</u>	<u>DESCRIPTION</u>	<u>QTY.</u>
	6496721	MOTOR 36 VOLT, 2100 RPM, 3.6 HP - INCLUDES:	1
601	5991731	COMMUTATOR BRACKET COVER	1
602	6493531	COMMUTATOR BRACKET ASSEMBLY - INCLUDES:	1
602	6493541	COMMUTATOR BRACKET	1
602A	6493601	BRUSH BOARD ASSEMBLY - INCLUDES:	1
602A1	6493591	SPRING	4
602A2	7692041	CARBON BRUSH	4
603	6493631	STATOR FRAME ASSEMBLY - WITH CLIPS AND MAGNETS - 3 HP	1
604	9120600	10-24 X 1/2 PAN HEAD PHILLIPS THREAD CUTTING SCREW - PK 10	4
605	6493621	1/4-20 X 9 HEX HEAD THRU BOLT - 3 HP	2
606	5991741	HELICAL WASHER - LARGE	1
607	5991551	BEARING - TOP END	1
608	6493651	ARMATURE - 2100 RPM - 3.6 HP - INCLUDES:	1
608A	9120827	3/16 SQUARE X 1 LONG KEY - STEEL - PACK OF 2	1
608B	6493571	ALUMINUM FAN	1
609	5991541	BEARING - BOTTOM END	1
610	6493551	END BRACKET - BOTTOM END	1

# DRIVE MOTOR



<u>ITEM</u>	<u>PART NO.</u>	<u>DESCRIPTION</u>	<u>QTY</u>
	2790101	DRIVE MOTOR ASSEMBLY 36 VOLT - INCLUDES:	1
701	-----	PAN HEAD SCREW	3
702	2797721	TOP COVER	1
703	-----	TOP END BELL ASSEMBLY	1
703A	2797681	BRUSH BOARD ASSEMBLY - INCLUDES:	1
703A1	2797571	BRUSH SPRING	4
703A2	-----	10-32 X 3/8 BRASS PAN HEAD SCREW	4
703A3	2797691	CARBON BRUSH WITH LEAD AND TERMINAL	4
704	2797581	LEAD ASSEMBLY - 1 WIRE WITH TERMINALS	2
705	-----	HEYCO STRAIN RELIEF	1
706	2797651	STATOR FRAME ASSEMBLY WITH MAGNETS	1
707	9120600	10-24 X 1/2 SELF TAPPING ROUND HEAD SCREW - PACK OF 10	3
708	2797591	HELICAL WASHER	1
709	2797661	ARMATURE ASSEMBLY - INCLUDES:	1
709A	5092041	BEARING TOP END - COMMUTATOR END	1
709B	2792681	SHAFT KEY	1
709C	2790311	BEARING, BOTTOM END (SHAFT END)	1
710	2797711	BOTTOM END BELL	1
711	2797731	SHAFT SEAL	1
712	-----	THRU BOLT	2



**NSS ® Enterprises, Inc.**

3115 Frenchmens Road, Toledo, Ohio 43607

PHONE (419) 531-3761 FAX (419) 531-3761

**NSS ® Enterprises, Inc. European Distribution Centre**

Unit II, Pinfold Trading Estate \* 55 Nottingham Road  
STAPLEFORD, NOTTINGHAM NG9 8AD ENGLAND U.K.

PHONE: (44) 0115 939 1568 \* FAX: (44) 0115 949 0615