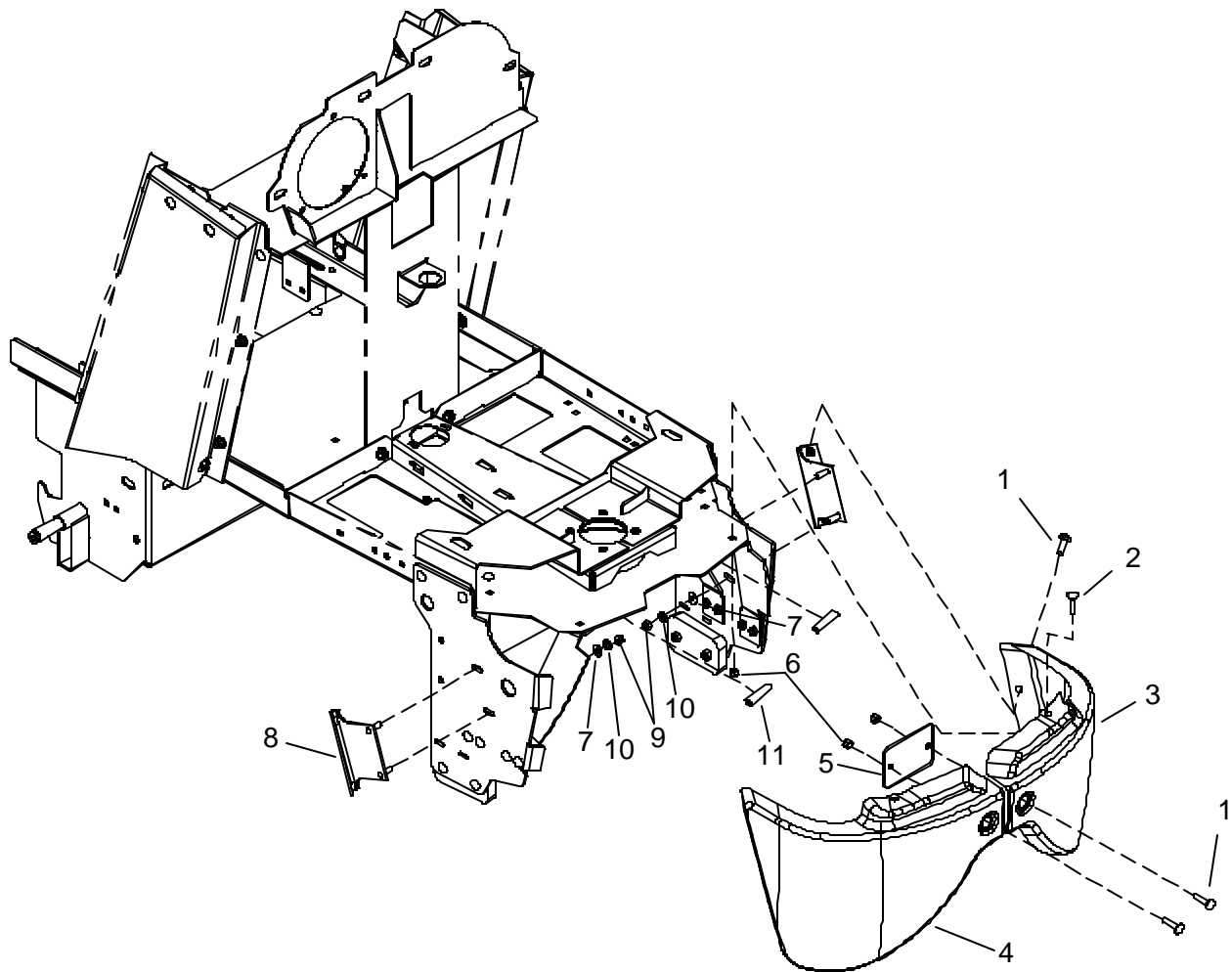




*chariot*

**PARTS**

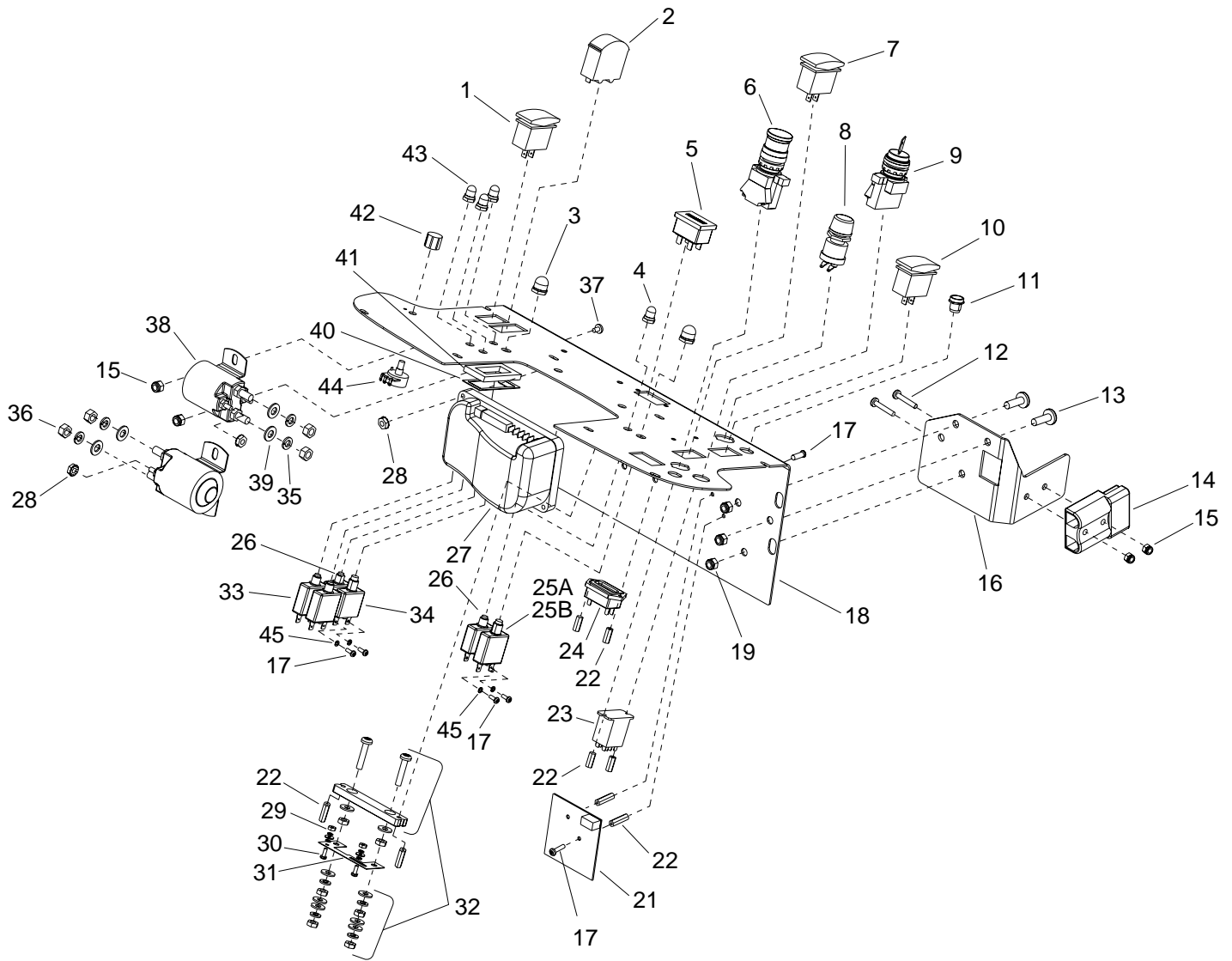
# BUMPER



**BUMPER**

REF	PART NO.	QTY	DESCRIPTION	SERIAL NO. FROM	NOTES:
1	70752	6	SCR, 5/16-18X3/4 PTHMS SS		
2	70849	2	SCR, #12 X 1.25 PPHMS SS		
3	140813	1	BUMPER, LEFT		
4	140814	1	BUMPER, RIGHT		
5	140783	1	BRKT, FRONT BUMPER		
6	57023	4	NUT, 5/16-18 HEX NYLOCK SS		
7	87029	4	WASHER, 5/16 FLAT SS		
8	140729	2	BRKT, BUMPER MOUNT, SIDE		
9	57264	4	NUT, 5/16-18 HEX ACORN PLTD		
10	87083	4	WASHER, 5/16 SPLIT LOCK PLTD		
11	67602	2	RISER, BUMPER		

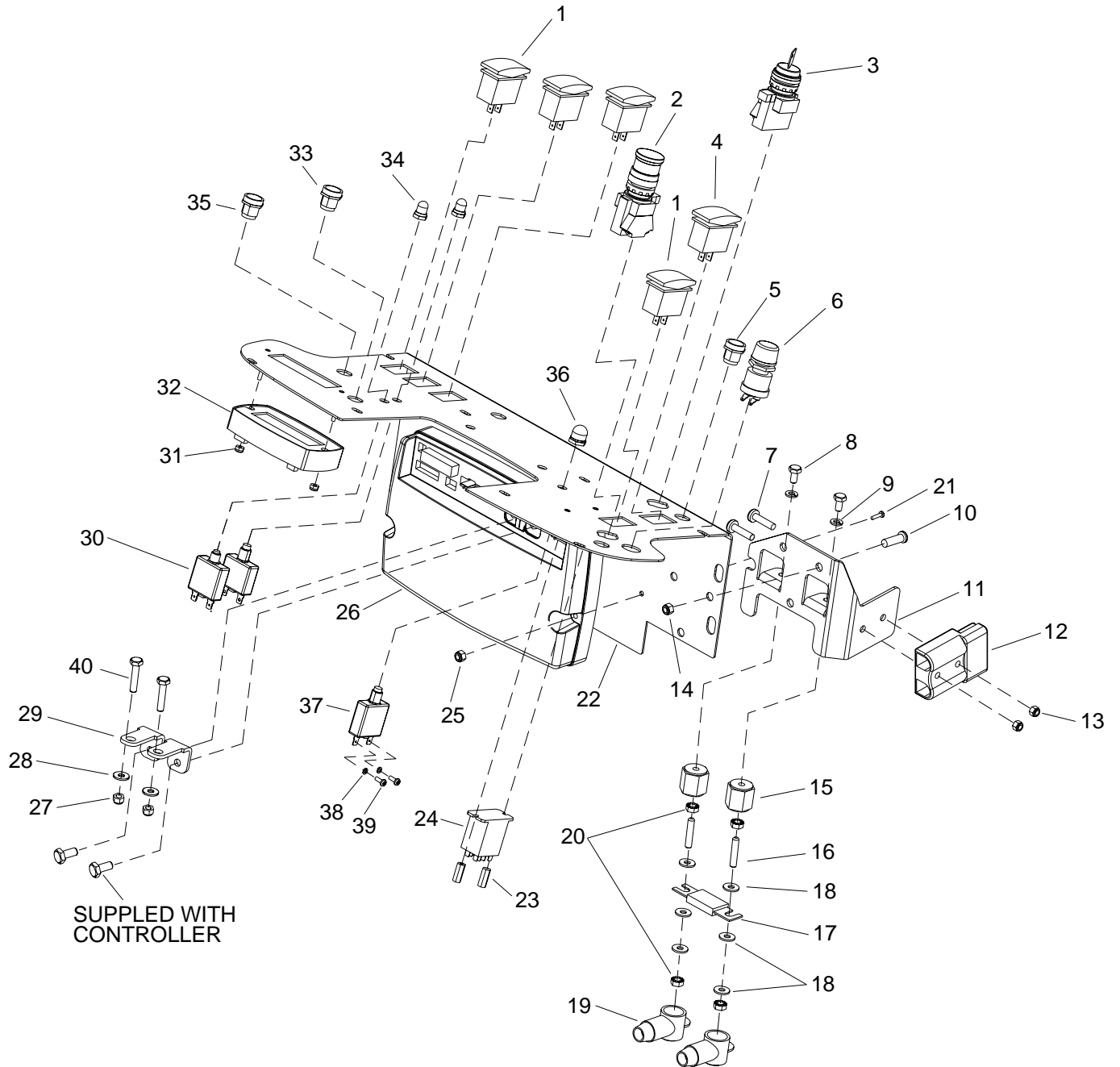
# CONTROL PANEL-BASIC-CYLINDRICAL



## CONTROL PANEL-BASIC-CYLINDRICAL

REF	PART NO.	QTY	DESCRIPTION	SERIAL NO. FROM	NOTES:
1	72165	1	SWITCH, DPDT 3-POSITION ROCKER		
2	54201	1	METER, 0-50 AMP DC		
3	80845	2	BOOT, SEAL-PUSH BUTTON 7/16-28		
4	14942	1	BOOT, 38 CIRCUIT BREAKER		
5	54199	1	METER, 36V LED BATTERY		
6	72160	1	SWITCH, EMERGENCY STOP		
7	72189	1	SWITCH, 4P3T FIXED POS ROCKER		
8	81371	1	SWITCH, PUSH BUTTON		
9	72161	1	SWITCH KEY DPSTN		
10	72130	1	SWITCH, SPST 2-POSITION ROCKER		
11	72196	1	SWITCH, RESET PB ROUND		
12	70019	2	SCR, 1/4-20 X 1.25 HHCS		
13	70850	3	SCR, 5/16-18 X 1/2 PTHMS SS		
14	80682	1	CONN, 175 DCA GRY W/O TERMS		
15	57245	6	NUT, 1/4-20 HEX NYLOCK SS		
16	140728	1	BRKT, BATT CONN, BASIC		
17	70067	8	SCR, 6-32 X 3/8 PPHMS		
18	61475	1	PANEL, BASIC		
19	57285	3	NUT, 5/16-18 HEX NYLOCK THIN SS		
20	OPEN	-	-		
21	27944	1	CIRCUIT BOARD, SOL FLOAT WIRED		
22	73538	8	STANDOFF, 6-32 X 5/8 HEX NYL		
23	67506	1	RELAY, 15A 36V MINI		
24	54154	1	METER, 12-48 VDC LED HOUR		
25A	14606	1	BREAKER, 30A 50VDC CIRCUIT	1000140332	WAS 14607, 25A
25B	14607	1	BREAKER, 25A 50VDC CIRCUIT	1000140332	CYLINDRICAL ONLY
26	14717	1	BREAKER, 3 AMP		
27	270092	1	CONTROLLER, CURTIS 1225 36V 70		
28	57104	10	NUT, 10-32 W/STAR WASHER PLTD		
29	57256	2	NUT, 6-32 HEX BRASS		
30	70615	2	SCR, 6-32 X 3/8 SRHMS BR		
31	73988	1	SHUNT, DC AMM. 15 AMP, 50 MV		
32	140805	1	BLOCK, SHUNT MOUNT		
33	140804	2	BREAKER, 18A 250VAC, 50VDC		
34	14606	1	BREAKER, 30A 50VDC CIRCUIT		
35	87083	4	WASHER, 5/16 SPLIT LOCK PLTD		
36	57125	4	NUT, 5/16-18 BRASS		
37	70085	4	SCR, 1/4-20 X 1/2 PPHMS SS		
38	67315	2	RELAY, 36VDC 100AMP HVY DUTY		
39	87029	4	WASHER, 5/16 FLAT SS		
40	62283	1	PLATE, METER RETAINING		
41	35264	1	GASKET, AMP METER		
42	48088	1	KNOB, .90 OD X .25 COLLET		
43	14942	3	BOOT, 3/8 CIRCUIT BREAKER		
44	66335	1	POTENTIOMETER, 50K OHMS		
45	87134	4	WASHER, #6 LOCK		

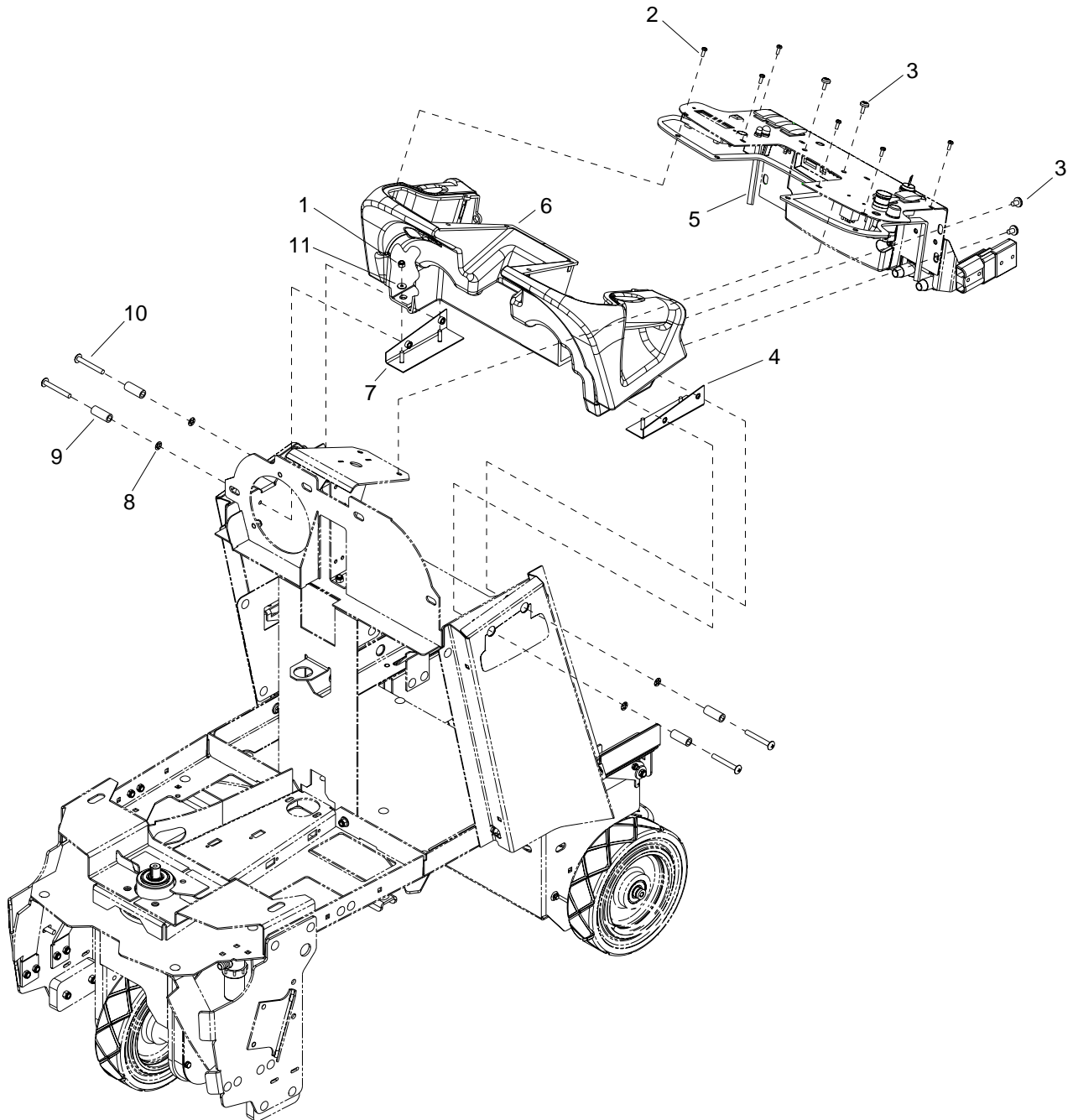
# CONTROL PANEL-DELUXE



## CONTROL PANEL-DELUXE

REF	PART NO.	QTY	DESCRIPTION	SERIAL NO. FROM	NOTES:
1	730142	3	SWITCH, SPDT 3-POSITION MOM		
2	72160	2	SWITCH, EMERGENCY STOP		
3	72161	1	SWITCH KEY DPST		
4	72130	1	SWITCH, SPST 2-POSITION ROCKER		
5	72196	2	SWITCH, RESET PB ROUND		
6	81371	1	SWITCH, PUSH BUTTON		
7	70019	2	SCR, 1/4-20 X 1.25 HHCS		
8	70020	2	SCR, 1/4-20 X 1/2 HHCS SS		
9	87162	2	WASHER, 1/4 SPLIT LOCK PLTD		
10	70850	3	SCR, 5/16-18 X 1/2 PTHMS SS		
11	140722	1	BRKT, BATTERY CONNECTOR		
12	80682	1	CONN, 175 DCA GRY W/O TERMS		
13	57245	2	NUT, 1/4-20 HEX NYLOCK SS		
14	57285	3	NUT, 5/16-18 HEX NYLOCK THIN SS		
15	73659	2	STANDOFF, 1/4-20 X 1.0 HEX INS		
16	70393	2	SET SCR, 1/4-20 X 1.25L		
17	80687	1	FUSE, 125 AMP		
18	87013	6	WASHER, 1/4 ID X 5/8 OD SS		
19	80889	2	BOOT, RUBBER TERM. ISOLATOR		
20	57105	4	NUT, 1/4-20 HEX W/STAR WASHER		
21	70195	2	SCR, 10-32 X 1.25 PPHMS SS		
22	61476	1	PANEL, DELUX		
23	73538	2	STANDOFF, 6-32 X 5/8 HEX NYL		
24	67506	1	RELAY, 15A 36V MINI		
25	57090	2	NUT, 10-32 HEX NYLOCK SS		
26	270095	1	CONTROLLER, TRIO PLUS		
27	57295	2	NUT, 5/16-18 FLEXLOCK		
28	87029	2	WASHER, 5/16 FLAT SS		
29	140219	2	BRKT, CABLE ATTACH		
30	140804	2	BREAKER, 18A 250VAC, 50VDC		
31	57049	2	NUT, 6-32 HEX NYLOCK SS		
32	54200	1	MODULE, LCD DELUXE		
33	730124	1	SWITCH ASM, SEALED PUSHBUTTON		
34	14942	2	BOOT, 3/8 CIRCUIT BREAKER		
35	72195	1	SWITCH, ON -TOUCH PB ROUND		
36	140218	1	BOOT, DB 3/8-27 UNS 2B	1000151588	WAS 80845
37	14666	1	BREAKER, 30A W/AUX CONTACT	1000151588	WAS 14606
38	87134	2	WASHER, #6 LOCK		
39	70067	2	SCR, 6-32 X 3/8 PPHMS		
40	70083	2	SCR, 5/16-18 X 1 HHCS SS		

# CONTROL PANEL HOUSING

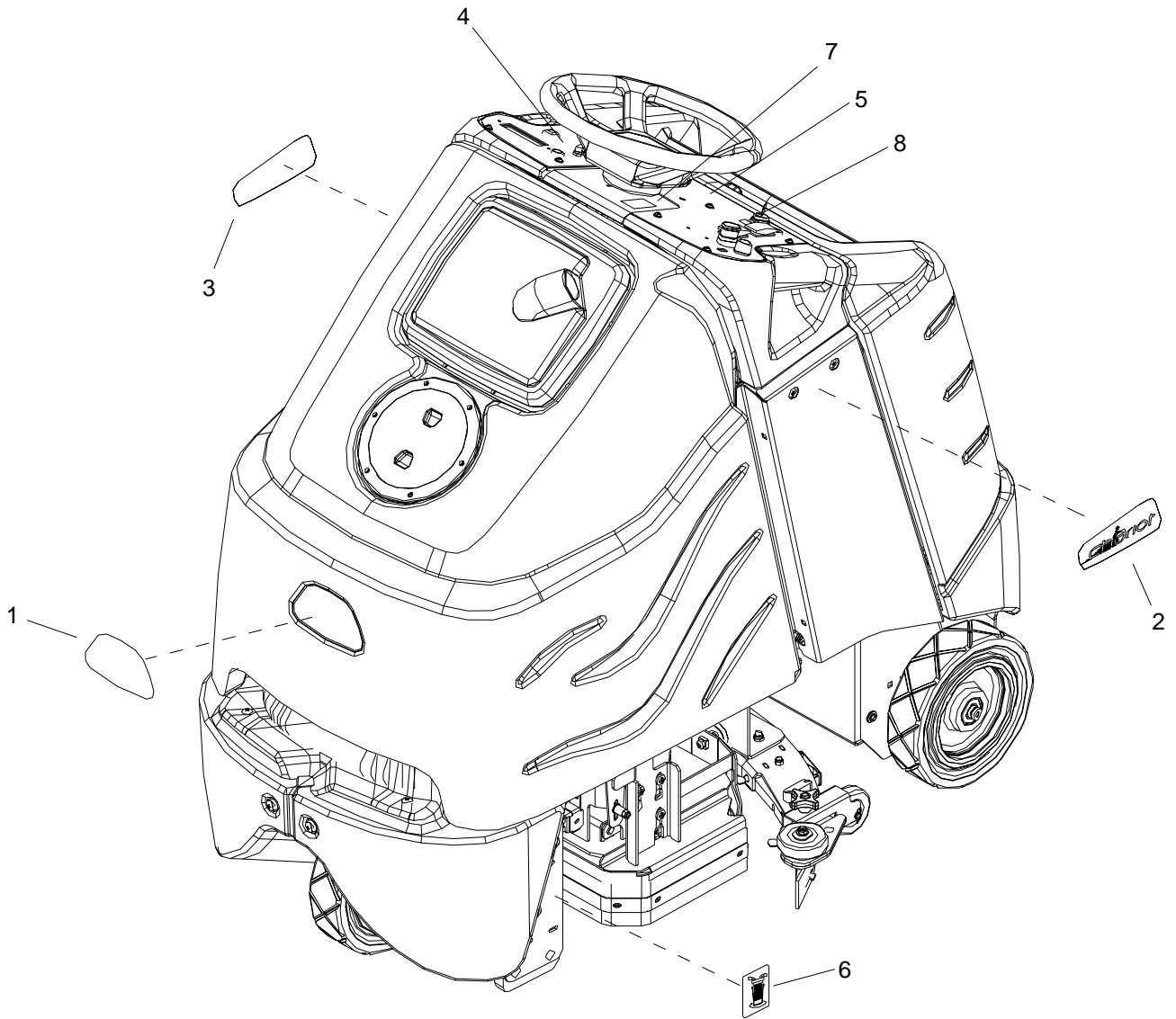




## CONTROL PANEL HOUSING

REF	PART NO.	QTY	DESCRIPTION	SERIAL NO. FROM	NOTES:
1	57245	4	NUT, 1/4-20 HEX NYLOCK SS		
2	70740	6	SCR, 10-32 X 1/2 PTHMS BLK NP		
3	70850	6	SCR, 5/16-18 X1/2 PTHMS SS		
4	140726	1	BRKT, LEFT CONSOLE MOUNT		
5	35278	3	GASKET, .125 X .25W X 23L		
6	270084	1	CONSOLE		
7	140725	1	BRKT, RIHGT CONSOLE MOUNT		
8	87252	4	WASHER, RET, PUSHNUT, 5/16 BOLT		
9	78524	4	TUBE, 5/8 OD X .357 ID X 1.57		
10	70841	4	SCR, 5/16-18 X 2.5 PTHMS SS		
11	87013	4	WASHER, 1/4 ID X 5/8 OD SS		

# DECAL

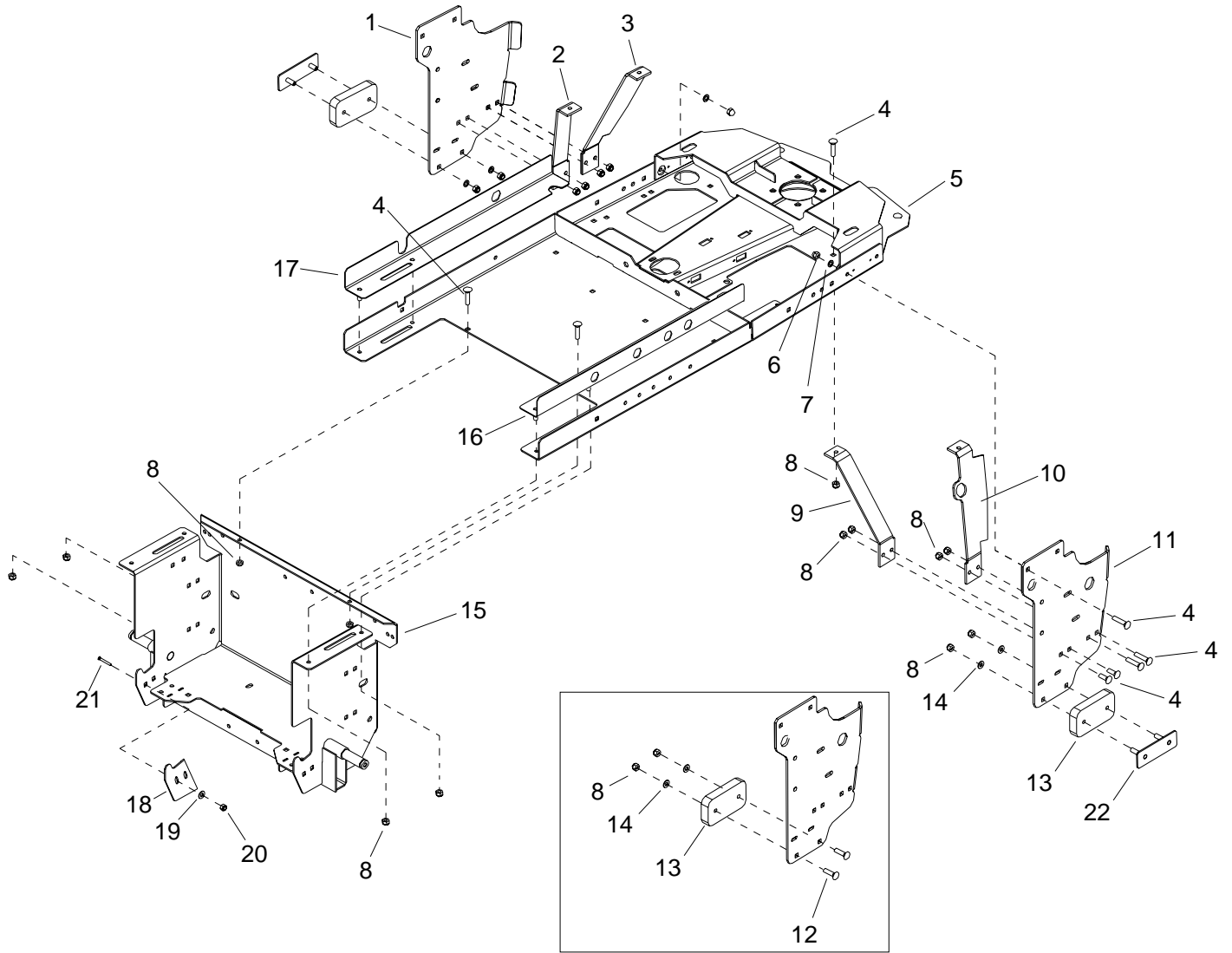


**DECAL**

REF	PART NO.	QTY	DESCRIPTION	SERIAL NO. FROM	NOTES:
1	50990	1	LABEL, WINDSOR LOGO DOMED		
2	501222	1	DECAL, CHARIOT, ISCRUB RT		WAS 500884
3	501223	1	DECAL, CHARIOT, ISCRUB LT		WAS 500885
4A	500883	1	LABEL, PANEL BASIC RIGHT		
4B	500881	1	LABEL, PANEL DLX RIGHT		
5A	500882	1	LABEL, PANEL BASIC LEFT		
5B	500880	1	LABEL, PANEL DLX LEFT		
6	500894	1	LABEL, STRAINER		
7	500780	1	LABEL, COVER PANEL		
8	501221	1	LABEL, NO-SCRUB		

**NOTE:** See "SAFETY LABEL LOCATION" page for safety label information.

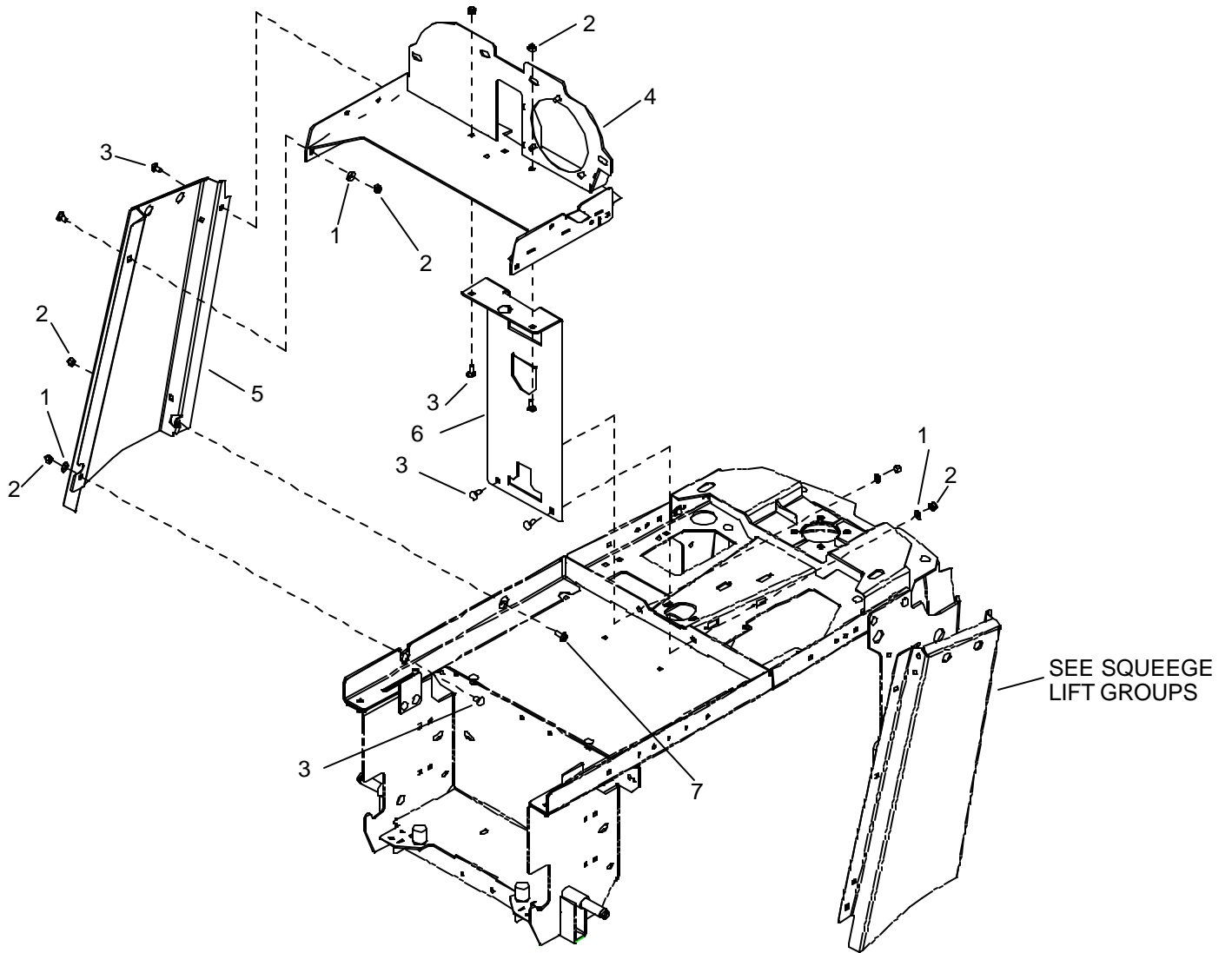
# FRAME-LOWER



**FRAME-LOWER**

REF	PART NO.	QTY	DESCRIPTION	SERIAL NO. FROM	NOTES:
1	140731	1	BRKT, TIP BAR LEFT		
2	140812	1	BRKT, TIP BRACE, LEFT, REAR		
3	140733	1	BRKT, TIP BRACE, LEFT		
4	70593	16	SCR, 5/16-18 X 3/4 CARRIAGE SS		
5	34428	1	FRAME, MAIN		
6	57264	4	NUT, 5/16-18 HEX ACORN PLTD		
7	87083	4	WASHER, 5/16 SPLIT LOCK PLTD		
8	57023	16	NUT, 5/16-18 HEX NYLOCK SS		
9	140811	1	BRKT, TIP BRACE, RIGHT, REAR		
10	140863	1	BRKT, BRACE, RIGHT FRONT		
11	140730	1	BRKT, TIP BAR, RIGHT		
12	70848	4	SCR, 5/16-18 X 1.5 CARRIAGE SS		
13	140790	2	PAD, TIPPING BAR		
14	87029	4	WASHER, 5/16 FLAT SS		
15	05251	1	AXLE, REAR WELDMENT		
16	75458	1	TRAY, SLIDE, LEFT		
17	75457	1	TRAY, SLIDE, RIGHT		
18	620097	2	PLATE, REAR COVER ADJ	1000149450	
19	87013	4	WASHER, 1/4 ID X 5/8 OD SS	1000149450	
20	57290	4	NUT, 1/4-20 HEX NYLOCK THIN SS	1000149450	
21	70772	4	SCR, 1/4-20 X 3/4 CARRIAGE SS	1000149450	
22	620101	2	PLATE, PAD RETAINER	*	

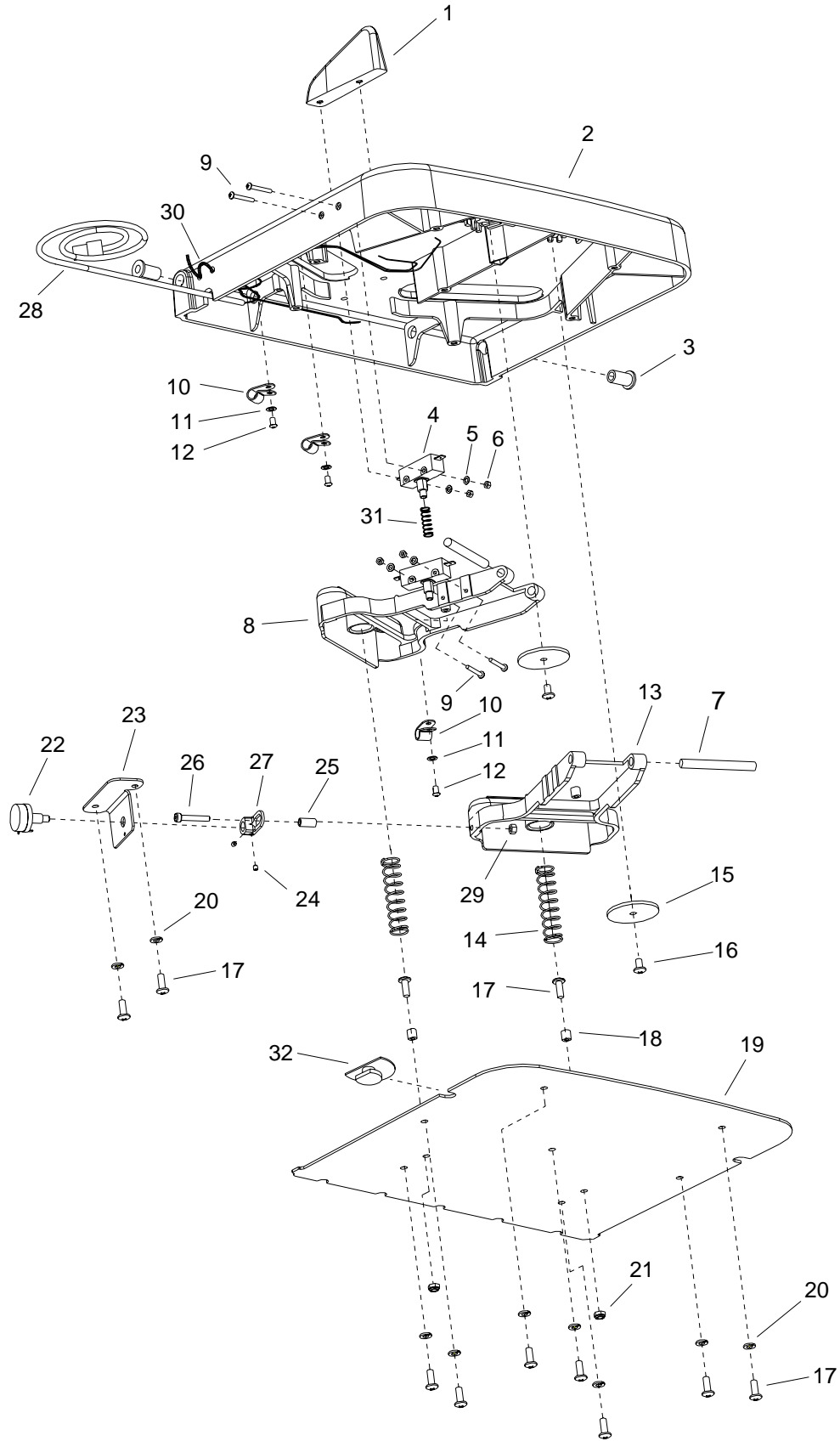
# FRAME-UPPER



**FRAME-UPPER**

REF	PART NO.	QTY	DESCRIPTION	SERIAL NO. FROM	NOTES:
1	87029	5	WASHER, 5/16 FLAT SS		
2	57023	8	NUT, 5-16-18 HEX NYLOCK SS		
3	70593	7	SCR, 5-16-18 X 3/4 CARRIAGE SS		
4	140727	1	BRKT, HORIZ ELECT		
5	270090	1	BRKT, SIDE CHANNEL L		
6	66437	1	PLATE, VERT BEARING SUPPORT		
7	70847	1	SCR, 5/16-18 X 5/8 BSHCS SS		

# PEDAL PLATFORM



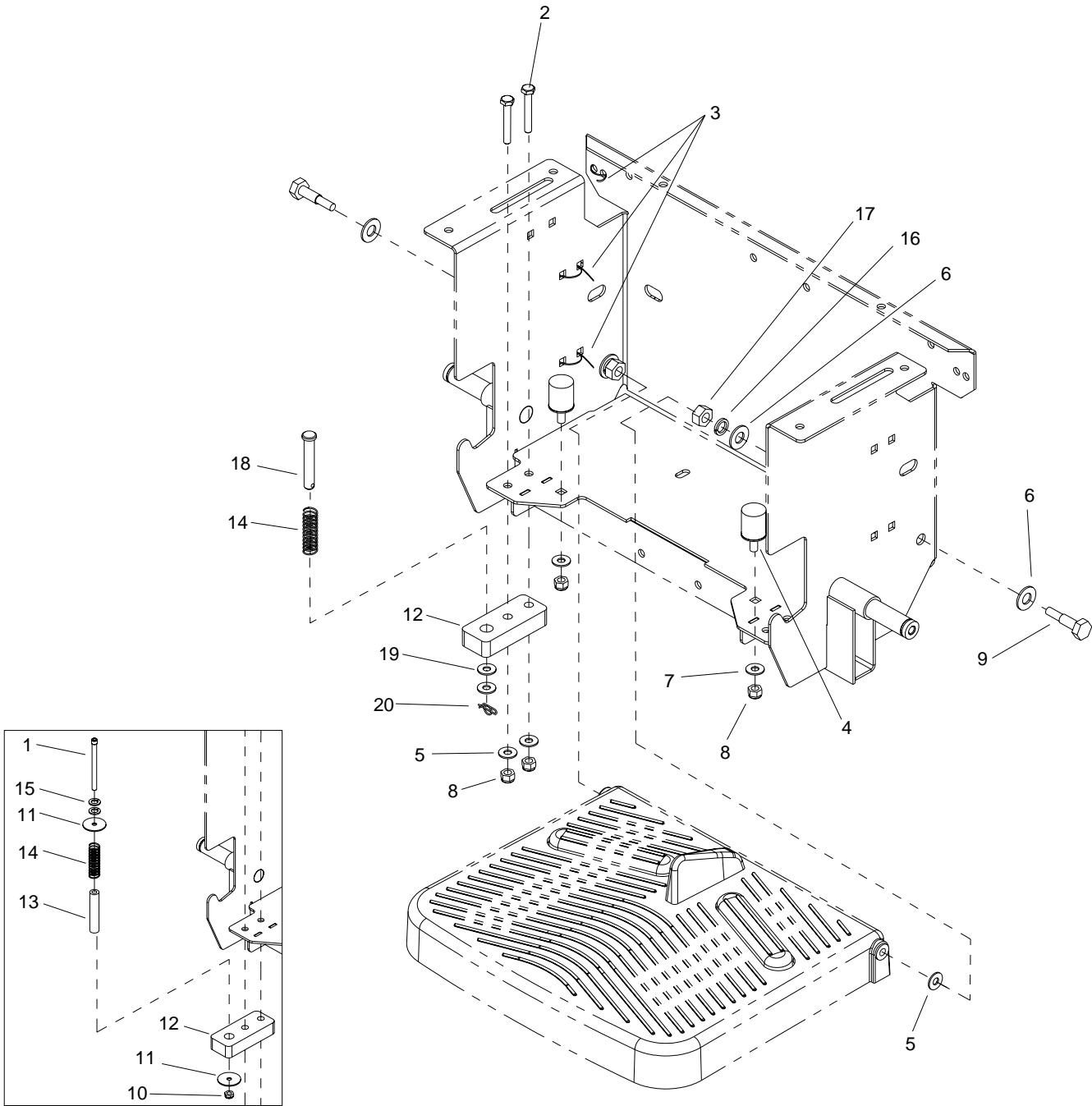


## PEDAL PLATFORM

REF	PART NO.	QTY	DESCRIPTION	SERIAL NO. FROM	NOTES:
1	34432	1	DIVIDER		
2	34429	1	PLATFORM		
3	140713	2	BUSHING, 8MM X 10LG CLY		
4	72123	2	SWITCH, 25A SPST 125-250V SNAP		
5	87248	4	WASHER, M4 INT STAR		
6	57503	4	NUT, M3.5 X 2.8 HEX		
7	67502	2	ROD, PIVOT, 8.5MM X 77		
8	34431	1	PEDAL, BRAKE		
9	70836	4	SCR, M3.5 X 38 PHMS		
10	20054	3	CLAMP, 3/8 NYLON UL/CSA		
11	87249	4	WASHER, M5 INT STAR		
12	70835	4	SCR, M4.8 X 16 PHTF		
13	34430	1	PEDAL, THROTTLE		
14	730304	2	SPRING, COMP 18MM OD X 83 X 2		
15	620047	2	PLATE, PIVOT		
16	70833	2	SCR, M6 X 10 PH		
17	70179	11	SCR, M6 X 16 PH		
18	730325	2	SPACER 12.7MM ID X 2.78W X 6L		
19	620050	1	PLATE, COVER		
20	87085	9	WASHER, M6 SPLIT LOCK DIN127B		
21	57277	2	NUT, M6 NYLOCK PLATED		
22	66135	1	POTENTIOMETER, 5K OHMS		
23	620048	1	PLATE, THROTTLE		
24	70759	2	SET SCR, M4 X 4MM NP		
25	730305	1	SPACER, 8MM 16L		
26	70834	1	SCR, M5 X 30 SHCS		
27	34433	1	LINK, THROTTLE		
28	23717	1	HARNESS, TWISTER PEDAL		
29	57086	1	NUT, M5 HEX		
30	27049	1	CABLE TIE, 7" UL/CSA		
31	73993	1	SPRING, COMP, .480D X .91	*	
32	66085	1	PLUNGER, PLATFORM SWITCH	*	

**NOTE:** Complete platform assembly is available, Part No. 41532

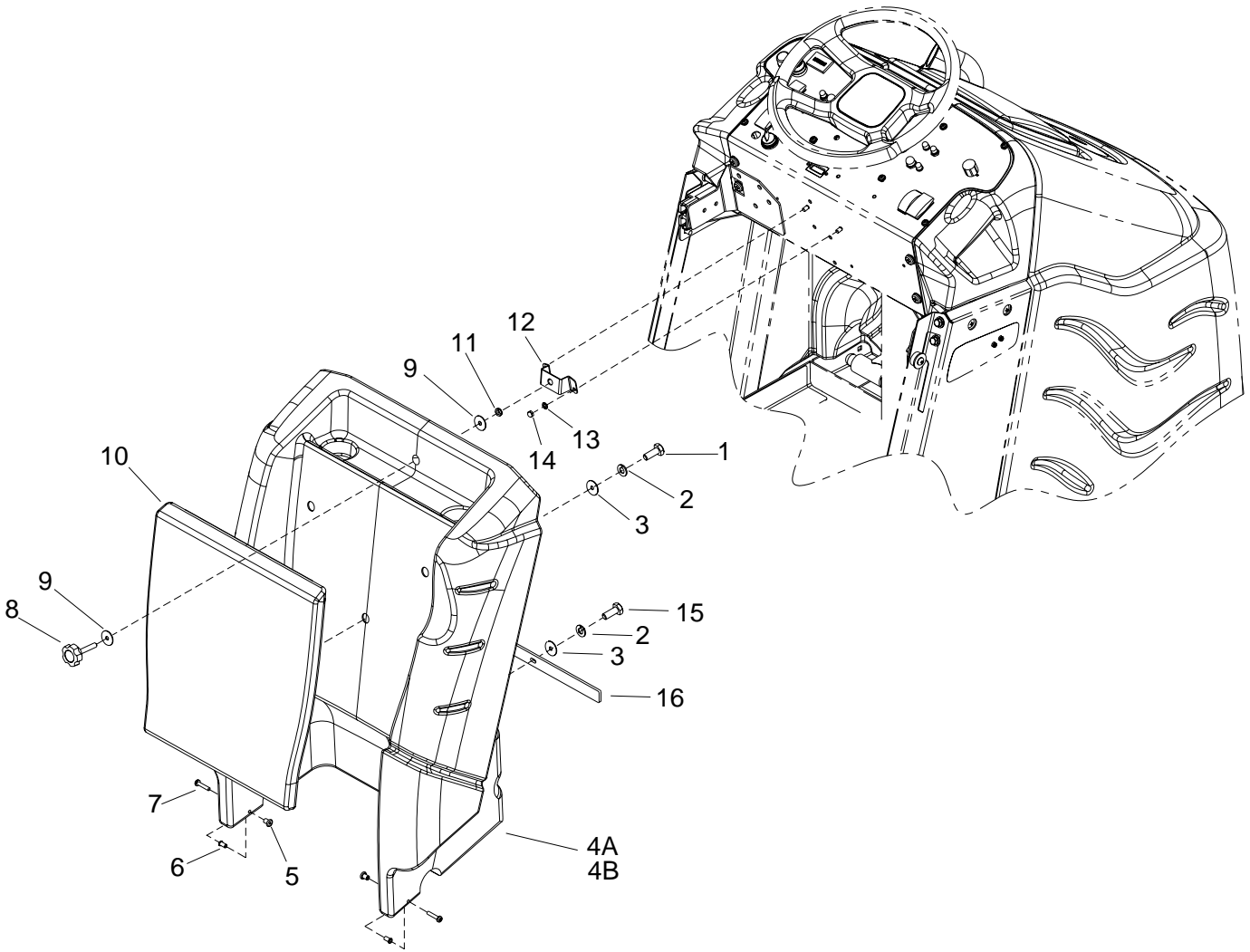
# PEDAL PLATFORM



## PEDAL PLATFORM

REF	PART NO.	QTY	DESCRIPTION	SERIAL NO. FROM	NOTES:
1	70843	1	SCR, 1/4-20 X 3.00 SHCS		
2	70258	2	SCR, 5/16-18 X 1.5 HHCS GR5PLT		
3	27049	3	CABLE TIE, 7" UL/CSA		
4	730328	2	BUMPER, 1 X 1.375 RUBBER		
5	87029	5	WASHER, 5/16 FLAT SS		
6	87485	4	M12 FLAT WASHER		
7	87143	2	WASHER, 7/16ID X1D.08 FLT SS		
8	57023	4	NUT, 5/16-18 HEX NYLOCK SS		
9	70852	2	STUB AXLE, M12-1.75 X 45MM		
10	57245	1	NUT, 1/4-20 HEX NYLOCK SS		
11	87191	2	WASHER, 1/4" IDX1.0OD FLAT SS		
12	629993	1	PLATE, SWITCH BASE		
13	730334	1	SPACER, ACTUATOR SWITCH		
14	73576	1	SPRING, COMP .60D X2.0L X .045W		
15	87256	2	WASHER, 1/4 LOCK HICOLLAR PLT		
16	87486	2	WASHER, M12 SPRING LOCK		
17	57142	2	NUT, M12 X 1.75 HEX DIN934 PLT		
18	66487	1	PIN, CLEVIS 1/2 X 2.25	*	
19	80613	2	WASHER, .506 ID X .94D X .064 NYL	*	
20	80607	1	COTTER, 1/2" RING	*	

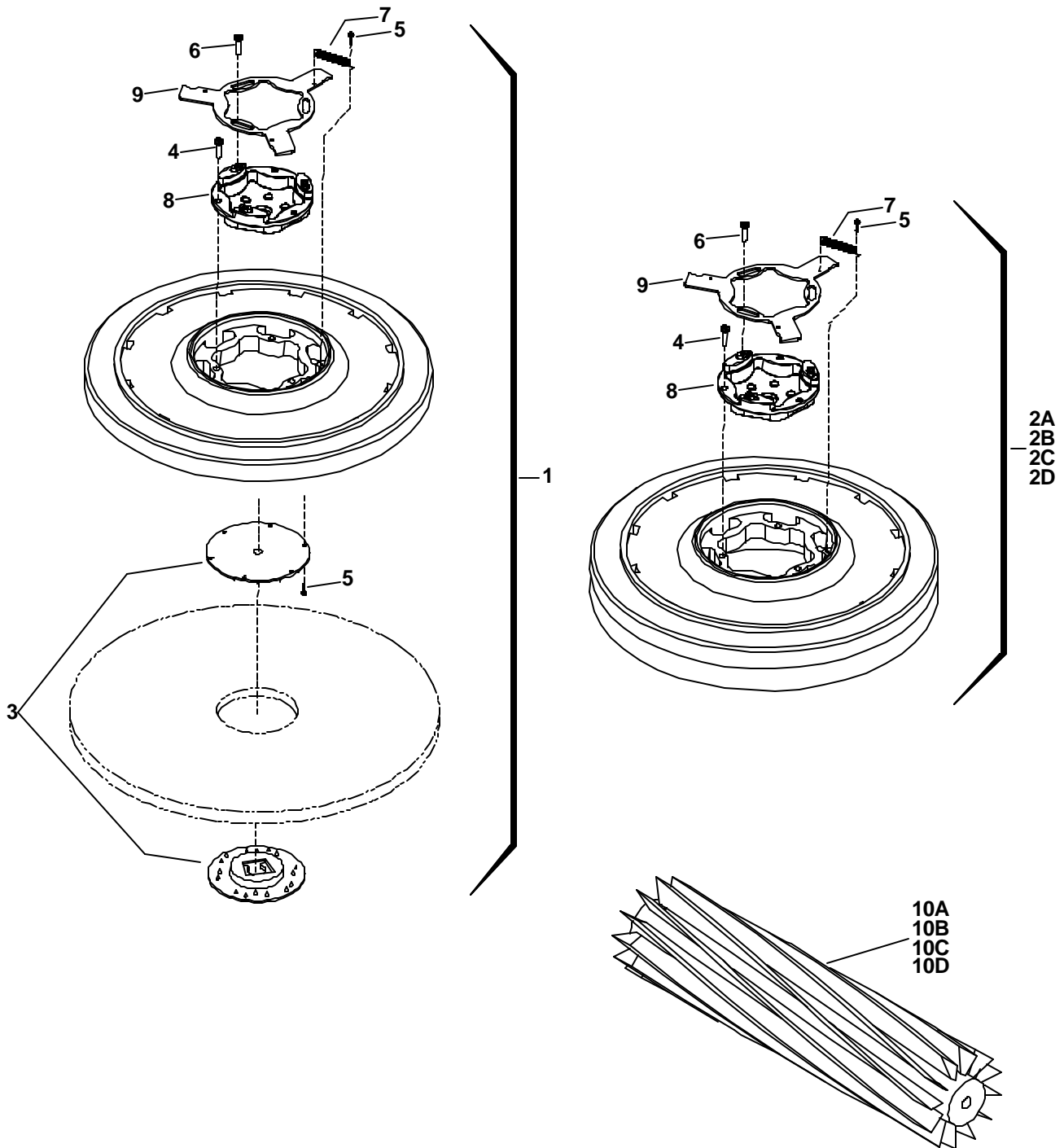
# REAR COVER



## REAR COVER

REF	PART NO.	QTY	DESCRIPTION	SERIAL NO. FROM	NOTES:
1	70728	3	SCR, 5/16-18 X 3/4 HHCS SS		
2	87083	5	WASHER, 5/16 SPLIT LOCK PLTD		
3	87029	5	WASHER, 5/16 FLAT SS		
4A	270701	1	COVER, REAR, BASIC		
4B	270082	1	COVER, REAR, DELUXE		
5	57273	2	NUT, 1/4-20 X 12MM HEX BARREL		
6	09152	2	BEARING FLANGED .377ID X .505OD		
7	70697	2	SCR, 1/4-20 X 1.25 PPHMS SS		
8	72193	1	KNOB, 3/8-16 X 1.5		
9	87143	2	WASHER, 7/16ID X 1D X .08FLT SS		
10	66433	1	PAD, FLAT LEANING		
11	57022	1	NUT, 3/8-16 HEX NYLOCK THIN SS		
12	140786	1	BRKT, ASSEMBLY, REAR COVER		
13	87162	2	WASHER, 1/4 SPLIT LOCK		
14	57299	2	NUT, 1/4-20 ACORN SS		
15	70083	2	SCR, 5/16-18 X 1 HHCS SS		
16	140891	1	BAR, COVER		

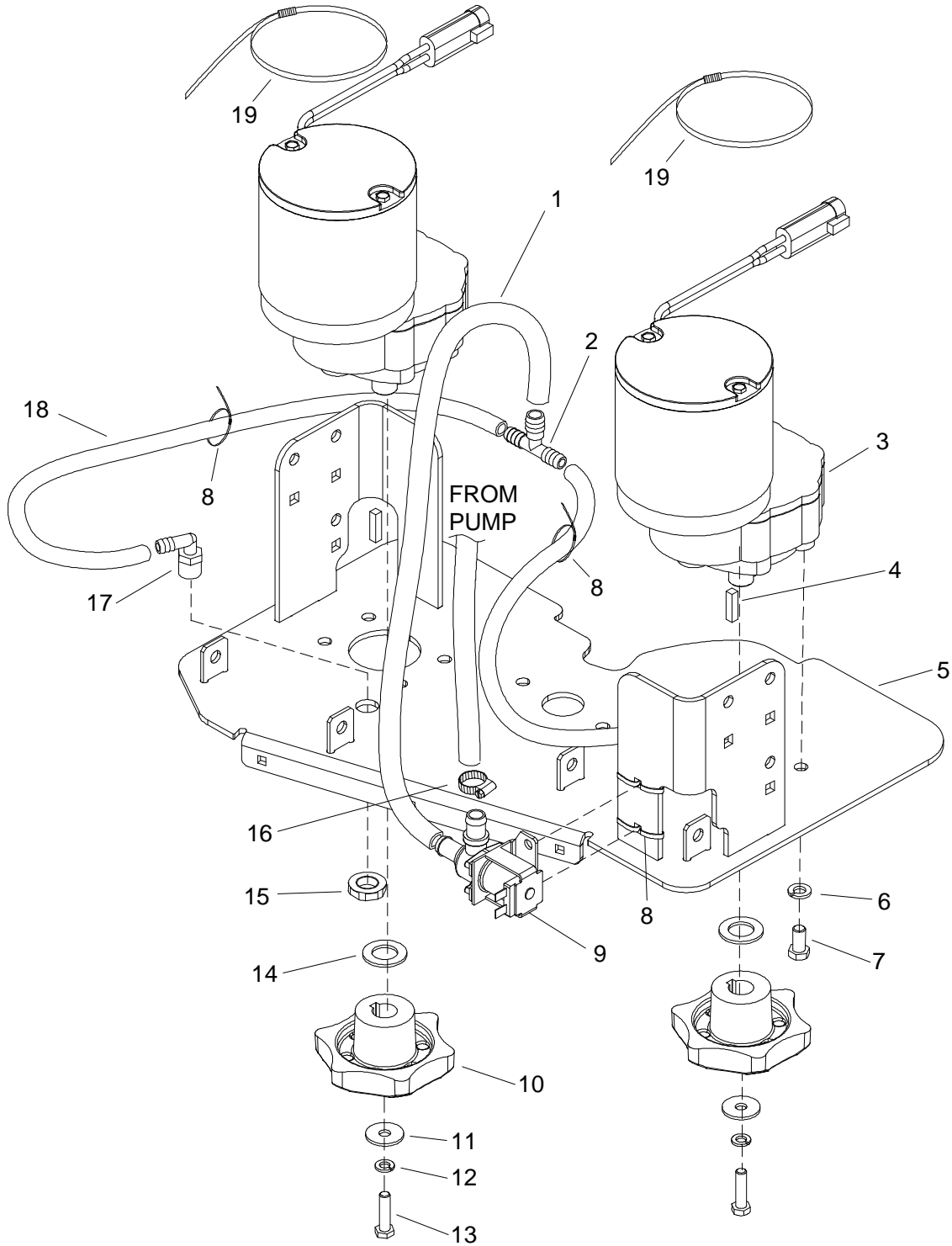
# SCRUB BRUSH/PAD DRIVER



**SCRUB BRUSH/PAD DRIVER**

REF	PART NO.	QTY	DESCRIPTION	SERIAL NO. FROM	NOTES:
1	02400	2	PAD DRIVER, 12" SD		
2A	02401	2	BRUSH, 12" POLYPROPYLENE SD		
2B	02402	2	BRUSH, 12" NYLON SD		
2C	02404	2	BRUSH, 12" MILD GRIT SD		
2D	02405	2	BRUSH, 12" SUPER AGG SD		
3	51284	1	LOCK, PAD CENTER SNAP, TWO STEP		
4	70695	3	SCR, #12 X 1 PPHSMS SS		
5	70694	1	SCR, 8-32 X 3/4 PTHMS		
6	70696	3	SCR, #10 X 3/4 PTHSMS SS		
7	73817	1	SPRING, EXT .31 D X 2.0 L X .03 W SS		
8	730011	1	SOCKET, DRIVE BRUSH		
9	62852	1	PLATE, BRUSH RELEASE		
10A	02500	2	BRUSH, 24" CYL, H-POLYP		
10B	02501	2	BRUSH, 24" CYL, H-NYLON		
10C	02502	2	BRUSH, 24" CYL, STCD GRIT		
10D	02503	2	BRUSH, 24" CYL, SUP AGR		

# SCRUB DECK - DISK

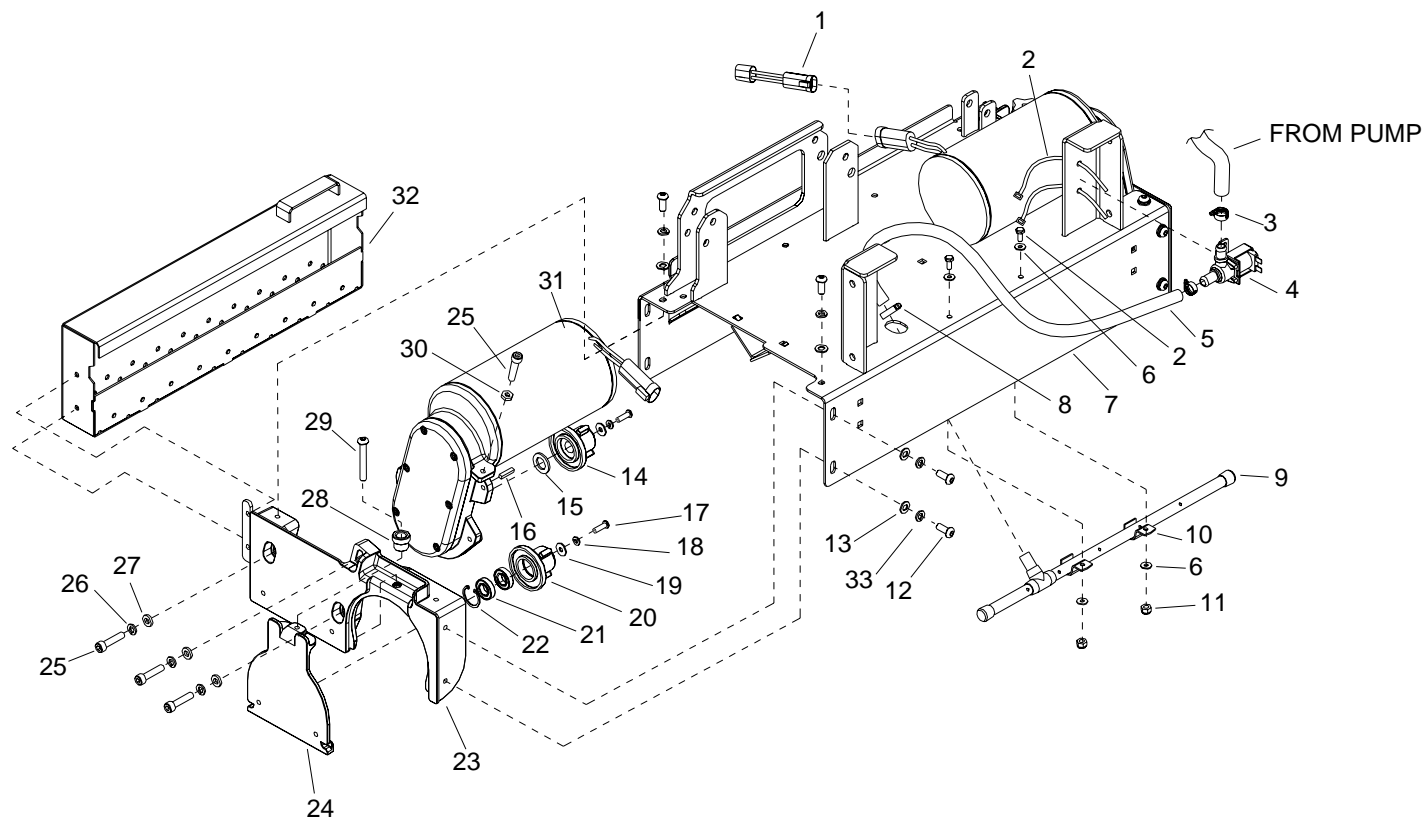




## SCRUB DECK - DISK

REF	PART NO.	QTY	DESCRIPTION	SERIAL NO. FROM	NOTES:
1	39274	1	HOSE, 1/2ID WIRE BOUND X 8"		
2	34327	1	FITTING, 1/2"X3/8"X3/8" RED		
3	53808	2	MOTOR ASM, 36VDC300RPM GEAR		
-	14739		BRUSH SET MOTOR 53808		
4	48040	2	KEY, 1/4 SQ X 1.00		
5	730330	1	SCRUBDECK, 24IN		
6	87163	8	WASHER, 3/8 SPLIT LOCK PLTD		
7	70774	8	SCR, 3/8-16 X 3/4 HHCS SS		
8	27049	6	CABLE TIE, 7" UL/CSA		
9	84199	1	VALVE, SOLENOID, 36VDC, 1/2 BARB		
-	29260	-	DIAPHRAGM, SRVC PART SLND		SERVICE ONLY
-	47395	-	SERVICE SLND SPRG KIT		SERVICE ONLY
10	29220	2	DRIVER, BRUSH SD		
11	87212	2	WASHER, .344IDX1.130DX.09T PLT		
12	87083	2	WASHER, 5/16 SPLIT LOCK PLTD		
13	70673	2	SCR, 5/16-18 X 1.25 HHCS SS NP		
14	87173	2	WASHER, .765IDX1.310DX.09T SS		
15	57283	2	NUT, 3/8 NPT PLASTIC		
16	20042	1	CLAMP, 3/8 HOSE (D-SLOT)		
17	40043	2	HOSEBARB, 3/8MPT X 3/8 90D		
18	39326	2	HOSE, 3/8ID WIREBOUND X 8"		
19	27196	2	CABLE TIE, .375 X 24.7		

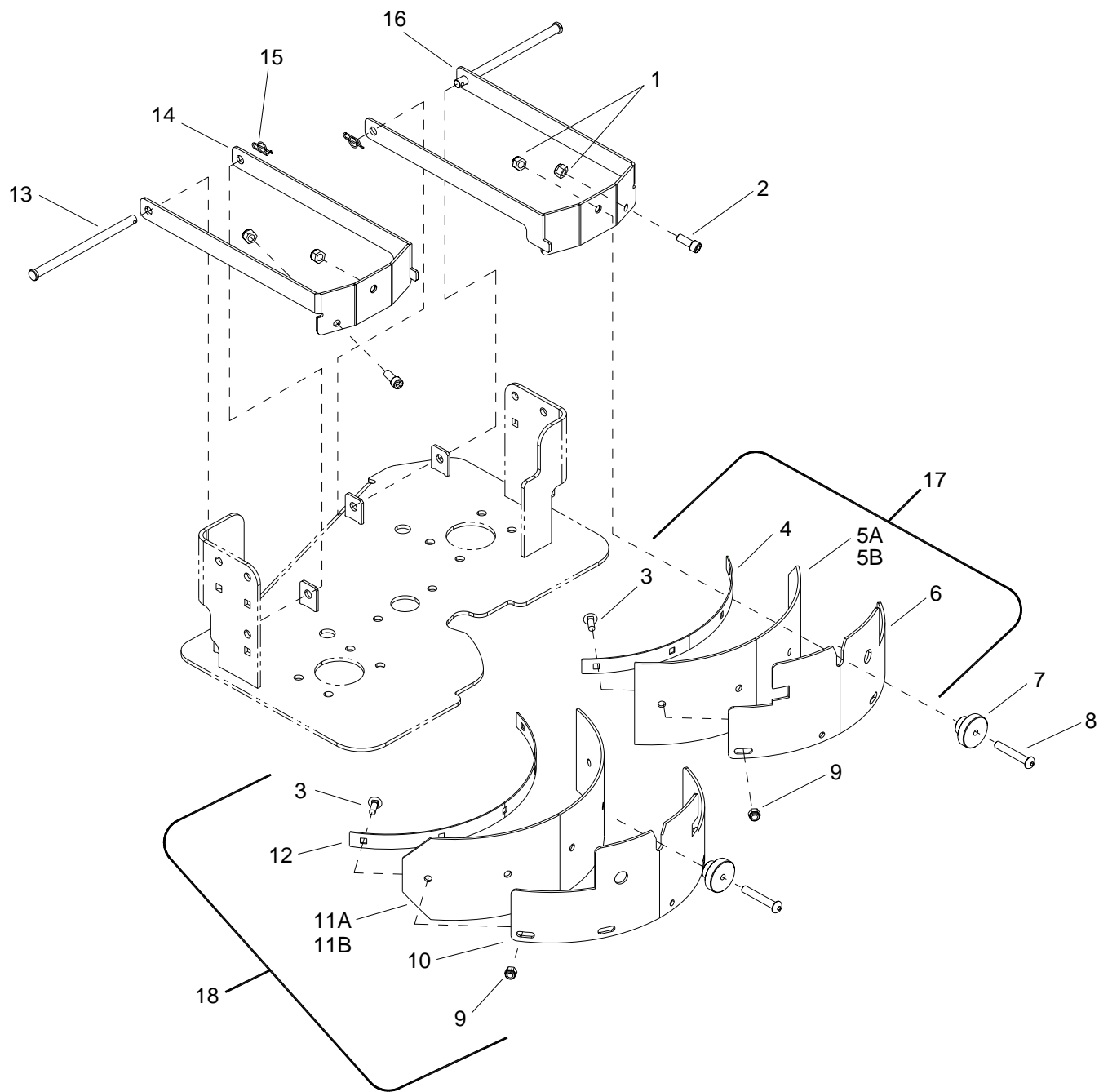
# SCRUB DECK - CYLINDRICAL



## SCRUB DECK - CYLINDRICAL

REF	PART NO.	QTY	DESCRIPTION	SERIAL NO. FROM	NOTES:
1	880212	2	WIRE ASM, REV POLARITY JUMPER		
2	70011	4	SCR, 1/4-20 X 5/8 HHCS SS NP		
3	20042	2	CLAMP, 3/8 HOSE (D-SLOT)		
4	84199	4	VALVE, SOLENOID, 36VDC, 1/2 BARB		
5	39715	1	HOSE, 5/8 ID WIREBOUND X 16"		
6	87013	4	WASHER, 1/4 ID X 5/8 OD SS		
7	34441	1	FRAME, SCRUB DECK 24		
8	20093	2	CLAMP, 7/8" WORM GEAR SS		
9	54203	1	MANIFOLD, SOLUTION DELIVERY		
10	20003	2	CLAMP, 1/2 DIA THINWALL CONDUIT		
11	57245	2	NUT, 1/4-20 HEX NYLOCK SS		
12	70861	12	SCR, M8 X 1.25 X 20 LG BSHCS SS		
13	87029	12	WASHER, M8 FLAT DIN125A PLT		
14	41487	2	HUB, TRI-STAR BRUSH DRIVE		
15	87488	2	WASHER, M16 SMALL OD FLAT PLTD		
16	48041	2	KEY, 3/16 SQ X 7/8 CRS		
17	70854	4	SCREW, M6-1.0 X 20 LG BHSCS SS		
18	87085	4	WASHER, M6 SPLIT LOCK DIN127B		
19	87487	4	WASHER, M6 LARGE OD FLAT PLTD		
20	41488	2	HUB, TRI-STAR BRUSH IDLER		
21	09149	4	BEARING, BALL 15MM X 28MM X 7W		
22	67598	2	RING, 28MM INTERNAL SNAP		
23	34418	2	HOUSING, SCRUB PLUS DRIVE		
24	29268	2	DOOR, CYLINDRICAL BRUSH		
25	70855	8	SCREW, M8-1.25 X 35 LG SHCS SS		
26	87098	6	WASHER, M8 SPLIT LOCK		
27	87489	6	WASHER, M8 (THICK) FLAT PLTD		
28	48090	2	KNOB, 1.0 OD X 5-16-18		
29	70797	2	SCR, 5-16-18 X 2 BSHCS SS		
30	57504	2	NUT, M8 X 1.25 HEX JAM SS		
31	53267	2	MOTOR, SP BRUSH DRIVE, 36V, 3/4HP		
-	140394	-	BRUSH SET		SERVICE ONLY
-	35369	-	GASKET, GEARBOX		
32	41535	1	HOPPER, CYL, DECK		
33	87083	12	WASHER, 5/16 SPLIT LOCK PLTD		

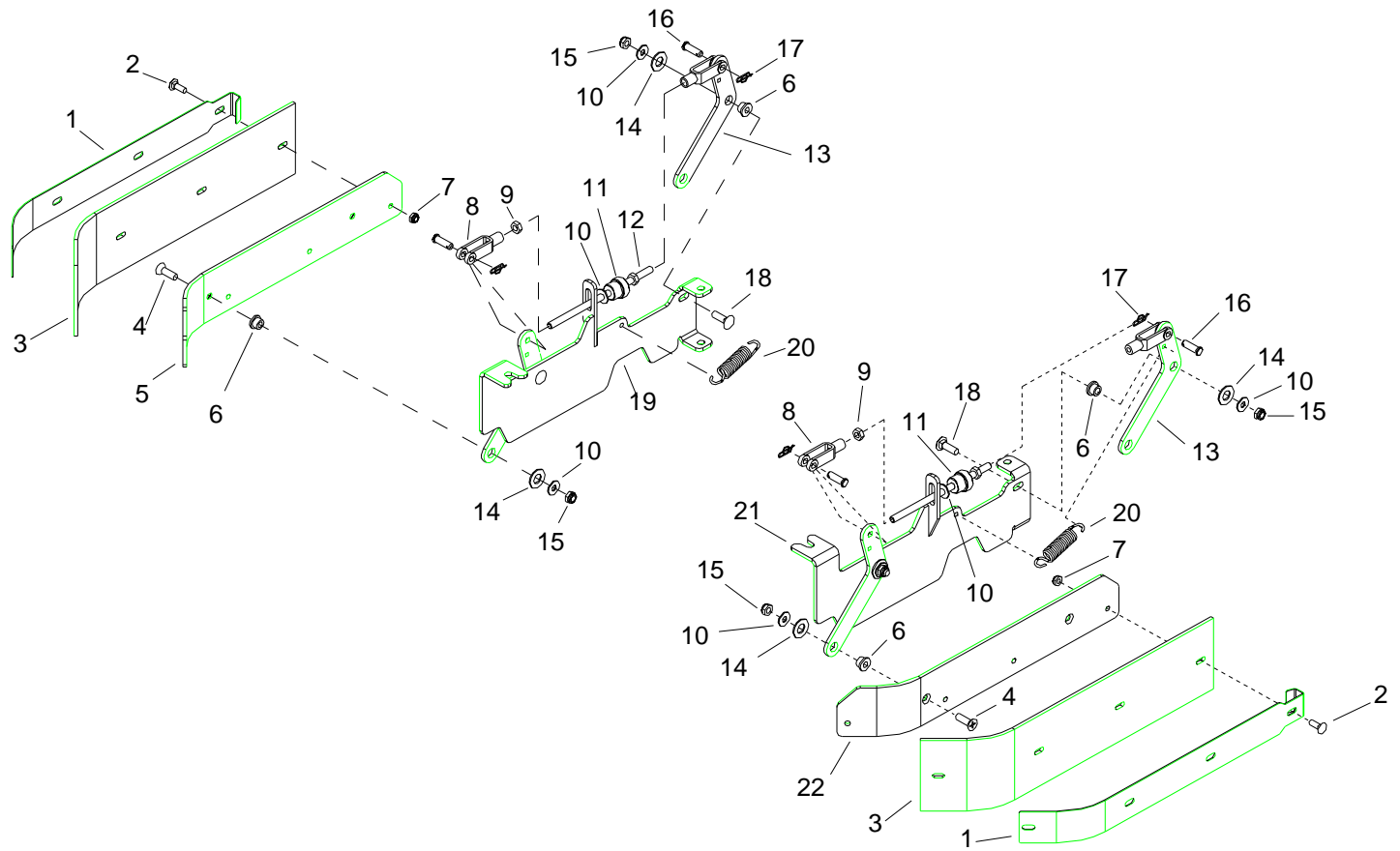
# SCRUB DECK AQUA-MIZER™



## SCRUB DECK AQUA-MIZER™

REF	PART NO.	QTY	DESCRIPTION	SERIAL NO. FROM	NOTES:
1	57023	4	NUT, 5/16-18 HEX NYLOCK SS		
2	70782	2	SCR, 5/16-18 X 3/4 SHCS		
3	70772	9	SCR, 1/4-20 X 3/4 CARRIAGE SS		
4	140747	1	BAND, RIGHT AQUAMIZER		
5A	140753	1	BLADE, AQUAMIZER, 12 RGT		
5B	140939	1	BLADE, AQUAMIZER, 12 RGT URETHANE		
6	140779	1	BRKT, AQUAMIZER BLADE, RGT		
7	48080	2	KNOB, 1.5 OD X 5/16-18		
8	70815	2	SCR, 5/16-18 X 2.25 BSHCS SS		
9	57245	9	NUT, 1/4-20 HEX NYLOCK SS		
10	140778	1	BRKT, AQUAMIZER BLADE, LEFT		
11A	140752	1	BLADE, AQUAMIZER, 12 LFT		
11B	140940	1	BLADE, AQUAMIZER, 12 LFT URETHANE		
12	140746	1	BAND, LEFT AQUAMIZER		
13	66465	2	PIN, CLEVIS, 3/8 X 6.12, PLTD		
14	140776	1	BRKT, AQUAMIZER MTG, LEFT		
15	80606	2	COTTER, 3/8" RING		
16	140774	1	BRKT, AQUAMIZER MTG, RIGHT		
17	47456	-	KIT, AQUAMIZER RIGHT		SERVICE ONLY
18	47457	-	KIT, AQUAMIZER LEFT		SERVICE ONLY

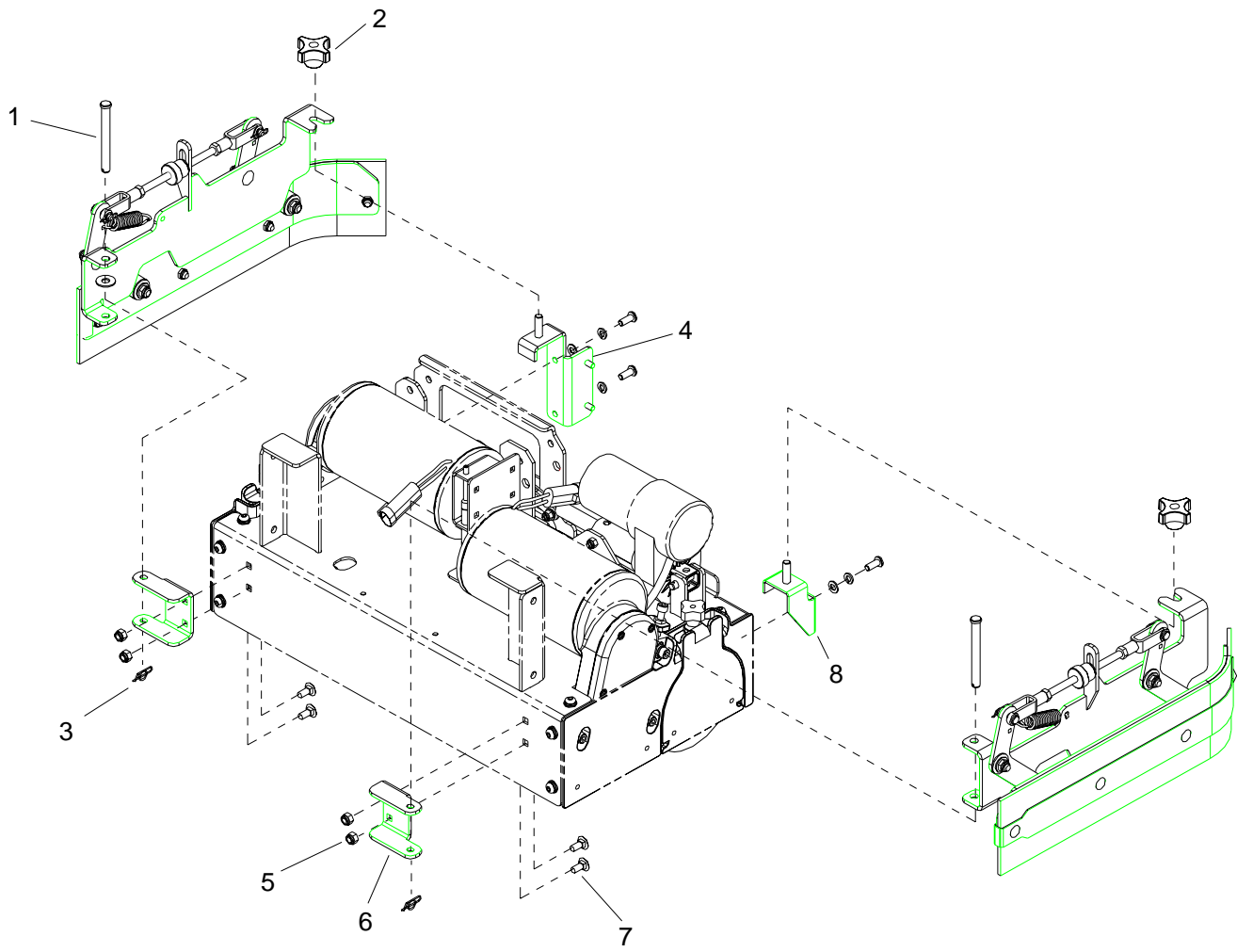
# SIDE SQUEEGEE - CYLINDRICAL



## SIDE SQUEEGEE - CYLINDRICAL

REF	PART NO.	QTY	DESCRIPTION	SERIAL NO. FROM	NOTES:
1	140838	2	BAND, SIDE SQG, 24		
2	70772	8	SCR, 1/4-20 X 3/4 CARRIAGE SS		
3	140039	2	BLADE, SQUEEGEE, SIDE, 24		
4	70792	4	SCR, 5/16-18 X 1 PFHMS SS		
5	140848	1	BRKT, SKIRT, SQG, LH		
6	09153	8	BEARING, FLNGD, .314 ID X .502 OD		
7	57290	8	NUT, 1/4-20 HEX NYLCK THIN SS		
8	80636	4	CLEVIS, 5/16" YOKE END 5/16-18		
9	57138	4	NUT, 5/16-18 JAM		
10	87029	10	WASHER, 5/16 FLAT SS		
11	48090	2	KNOB, 1.0 OD X 5/16-18		
12	67600	1	ROD, 5/16-18 X 6.5 ADJ		
13	620071	4	PLATE, SQG LINKAGE ARM		
14	87232	8	WASHER, THRUST .51 ID X 1 OD BRO		
15	57285	8	NUT, 5/16-18 HEX NYLOCK THIN SS		
16	66485	4	PIN, CLEVIS, 5/16 X 1.00 PLTD		
17	80605	4	COTTER, 5/16" RING		
18	70795	4	SCR, 5/16-18 X 1.00 CARRIAGE SS		
19	140061	1	BRKT, SIDE SQG, WELDMENT, LH		
20	73268	2	SPRING, EXT .68 D X 3.00 L X .098 W		
21	140021	1	BRKT, SIDE SQG, WELDMENT, RH		
22	140836	1	BRKT, SKIRT, SQG, RH		

# SCRUB DECK - SIDE SQUEEGEE - CYLINDRICAL

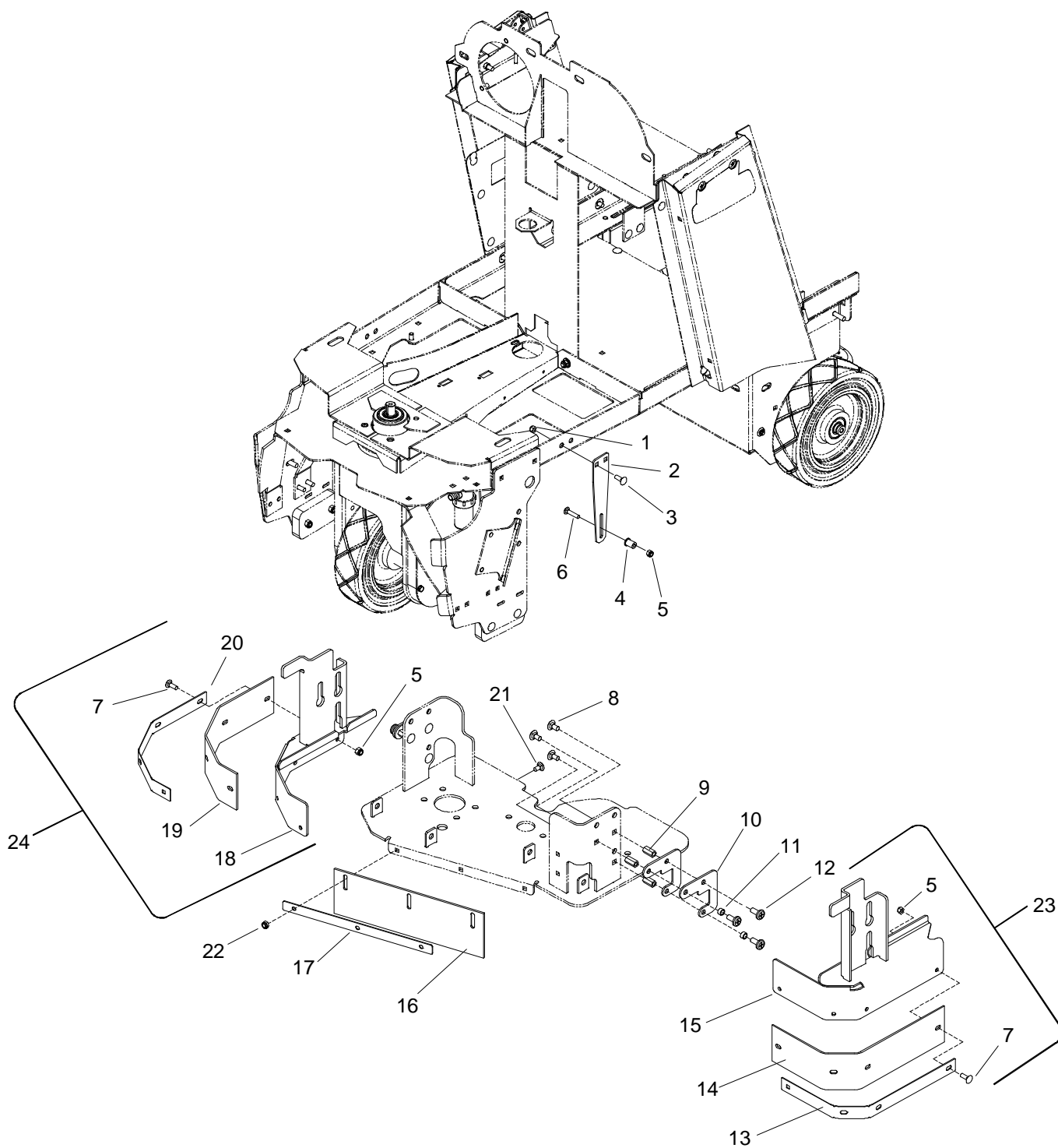




## SCRUB DECK - SIDE SQUEEGEE - CYLINDRICAL

REF	PART NO.	QTY	DESCRIPTION	SERIAL NO. FROM	NOTES:
1	82058	2	PIN, CLEVIS 3/8 X 3.50 PLTD		
2	81535	2	KNOB, 3/8-16 4 PRONG ALUM		
3	80606	2	COTTER, 3/8" RING		
4	140050	1	BRKT, HOPPER ALIGNMENT		
5	57023	4	NUT, 5/16-18 HEX NYLOCK SS		
6	140849	2	BRKT, SIDE SQG MOUNT		
7	70593	4	5/16-18 X 3/4 CARRIAGE SS		
8	140864	1	BRKT, SIDE SQUEEGEE, LFT		

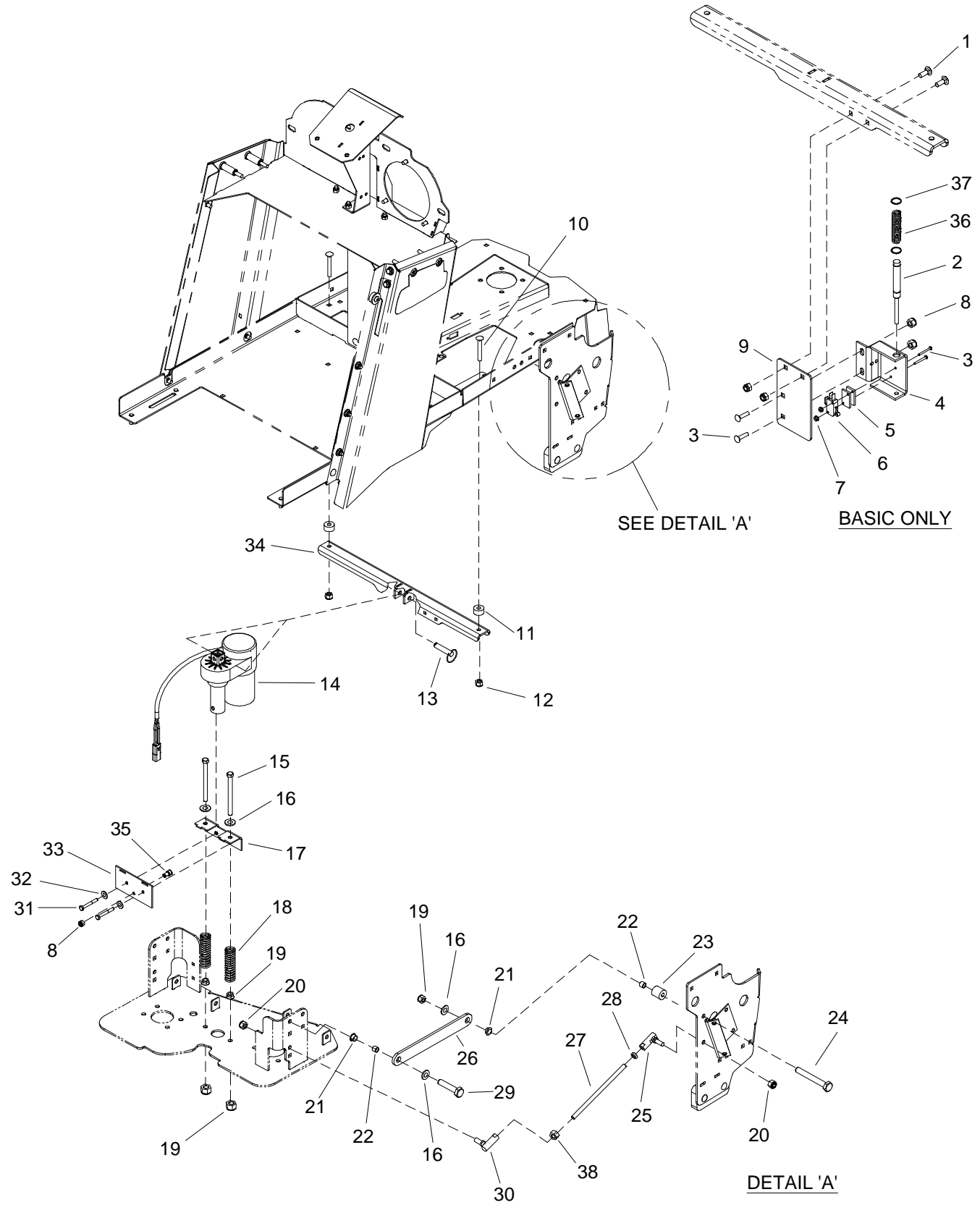
# SCRUB DECK SKIRTS



## SCRUB DECK SKIRTS

REF	PART NO.	QTY	DESCRIPTION	SERIAL NO. FROM	NOTES:
1	57023	4	NUT, 5/16-18 HEX NYLOCK SS		
2	140773	2	BRKT, SKIRT STOP, SCRUBDECK		
3	70593	4	SCR, 5/16-18 X 3/4 CARRIAGE SS		
4	09138	2	BEARING FLANGED, .252IDX.503OD		
5	57245	6	NUT, 1/4-20 HEX NYLOCK SS		
6	70634	2	SCR, 1/4-20 X 1.25 CARRIAGE BZ		
7	70772	8	SCR, 1/4-20 X 3/4 CARRIAGE SS		
8	70840	6	SCR, 5/16-18 X 5/8 CARRIAGE SS		
9	57300	6	NUT, 5/16-18 X 1 COUPLING SS		
10	620068	4	PLATE, SKIRT, SPACER		
11	730329	4	SPACER, .438D X .317ID X .25L		
12	70849	6	SCR, 5/16-18 X 1.00 PTMS SS		
13	140769	1	BAND, SKIRT, LEFT		
14	140754	1	BLADE, SKIRT, SCRBDCK, 24IN LFT		
15	140765	1	BRKT, SKIRT SCRUBDECK, LEFT		
16	140780	1	BLADE, SKIRT, SCRUBDECK, FRONT		
17	140781	1	BAND, SKIRT, SCRUBECK, FRONT		
18	140766	1	BRKT, SKIRT, SCRUBDECK, RIGHT		
19	140755	1	BLADE, SKIRT, SCRBDCK, 24IN RGT		
20	140770	1	BANC, SKIRT, RIGHT		
21	70853	3	SCR, 1/4-20 X 5/8 CARR SS		
22	57290	3	NUT, 1/4-20 HEX NYLOCK THIN SS		
23	47459	-	KIT, SKIRT LEFT		SERVICE ONLY
24	47458	-	KIT, SKIRT RIGHT		SERVICE ONLY

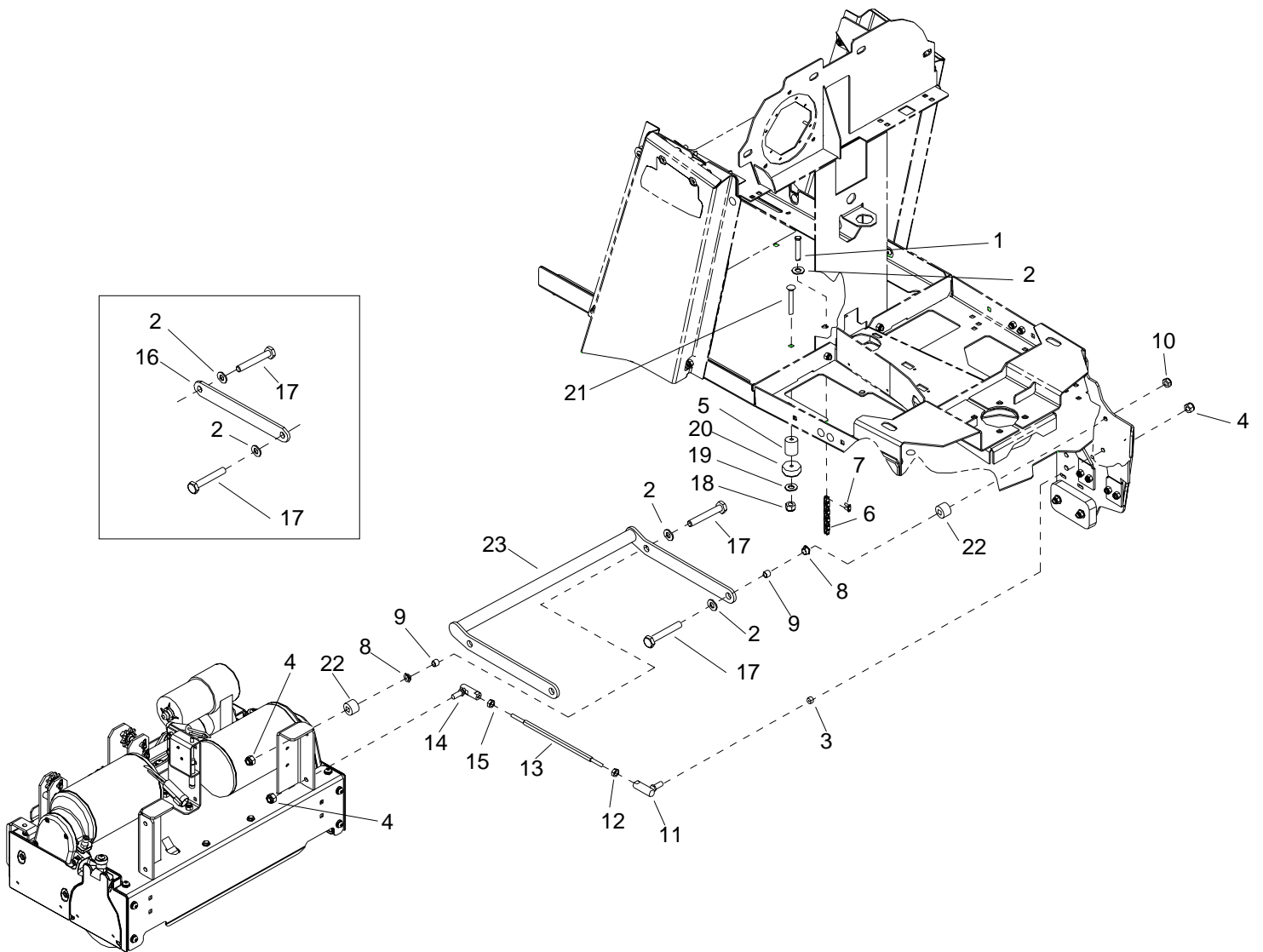
# SCRUB DECK LIFT



## SCRUB DECK LIFT

REF	PART NO.	QTY	DESCRIPTION	SERIAL NO. FROM	NOTES:
1	70772	4	SCR, 1/4-20 X 3/4 CARRIAGE SS		
2	66482	1	PLUNGER, MICRO SWITCH	1000155938	
3	70580	2	SCR, 4-40 X 1.0 PPHMS		
4	14387	1	BRKT, MICROSWITCH MOUNT		
5	73456	2	SPACER, L2020B PLUNGER SWITCH		
6	72157	1	SWITCH, 10A ROLLER MINI		
7	57163	2	NUT, 4-40 W/STAR WASHER		
8	57245	6	NUT, 1/4-20 HEX NYLOCK SS		
9	620070	1	PLATE, MTG, DECK LIMIT		
10	70780	2	SCR, 5/16-18 X 1.25 CARRIAGE SS		
11	730335	2	SPACER, 1 OD X .391 ID X .500		
12	57023	2	NUT, 5/16-18 HEX NYLOCK SS		
13	66369	1	PIN, QR 0.38 X 1.5 USABLE L		
14	05250	1	ACTUATOR, 36VDC, 3.5 IN STRK		
15	70494	2	SCR, 3/8-16 X 4.5" HHCS GR5		
16	87143	2	WASHER, 7/16ID X IDX.08 FLT SS		
17	140739	1	BRKT, ACTUATOR SPGS, SCRUBDECK		
18	81376	2	SPRING COMP .96D X 4.0L X .135W		
19	57022	4	NUT, 3/8-16 HEX NYLOCK THIN SS		
20	57216	2	NUT, 3/8-24 HEX NYLOCK		
21	81324	6	BEARING, 1/2 ID X 11/32L NYLON		
22	80102	4	SPACER, .500OD X .391ID C .400		
23	730336	2	SPACER, 1 OD X .434 ID X 1.063		
24	70070	2	SCR, M5 X 8X10 PHMS BLK		
25	140353	2	BALL JOINT ASSY, 3/8-24 LH		
26	31373	2	LINKAGE, .25 X 1.25 X 9.25		
27	66483	2	ROD, SCRUB LIFT	1000157685	
28	57217	2	NUT, 3/8-24 HEX JAM		
29	70755	2	SCR, 3/8-16 X 1 HHCS SS NP		
30	80697	2	BALL JOINT ASY, 3/8-24 RH		
31	70022	2	SCR, 1/4-20 X 2 HHCS		
32	87162	2	WASHER, 1/4 SPILT LOCK PLTD		
33	620058	1	PLATE, ACTUATOR SPR, SCRUBDECK		
34	140741	1	BRKT, ACTUATOR MTG, SCRUBBER		
35	70094	2	SCR, 1/4-20 X 1/2 SHCS		
36	73576	1	SPRING, COMP .60D X 2.0L X .045W		
37	27721	2	CLIP, RETAINING 7/16		
38	57263	2	NUT, 3/8-24 UNF LH		

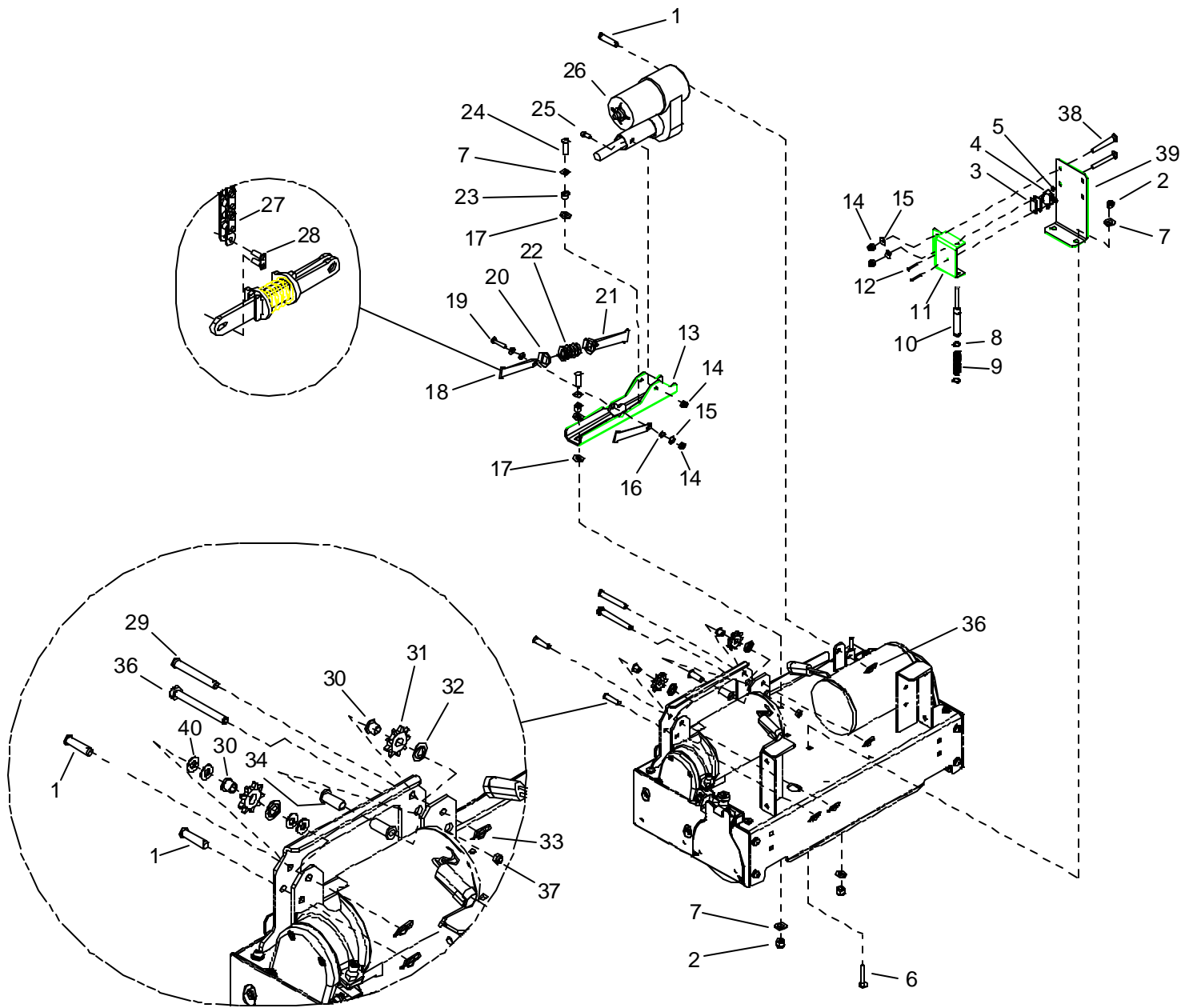
# SCRUB DECK MOUNTING- CYLINDRICAL



## SCRUB DECK MOUNTING - CYLINDRICAL

REF	PART NO.	QTY	DESCRIPTION	SERIAL NO. FROM	NOTES:
1	66217	1	PIN, CLEVIS 3/8 X .75 PLTD		
2	87143	5	WASHER, 7/16 ID X 1D X .08 FLT SS		
3	73606	2	SPACER, 1/2 OD X .058 ID X .26 LG CRS		
4	57216	6	NUT, 3/8-24 HEX NYLOCK		
5	730336	2	SPACER, 1 OD X .391 ID X 1.063		
6	270114	REF	CHAIN, #41, 1/2" PITCH X 34		
7	81873	1	CHAIN, #41, 1/2" P MASTER LINK		
8	81324	4	PIN, CLEVIS 3/8 X .75 UNPLTD		
9	80102	4	SPACER, .500 OD X .391 ID X .400		
10	57022	2	NUT, 3/8-16 HEX NYLOCK THIN SS		
11	80697	2	BALL JOINT ASY, 3/8-24 RH		
12	57217	2	NUT, 3/8-24 HEX JAM		
13	66483	2	ROD, SCRUB LIFT HEX		WAS 67415 ROUND
14	140353	2	BALL JOINT ASSY, 3/8-24 LH		
15	57263	2	NUT, 3/8-24 UNF LH		
16	31373	2	LINKAGE, .25 X 1.25 X 9.25		
17	70255	4	SCR, 3/8-16 X 1.5 HHCS GR5 PLTD		
18	57285	2	NUT, 5/16-18 HEX NYLOCK THIN SS		
19	87029	2	WASHER, 5/16 FLAT SS		
20	80809	2	BUMPER, RUBBER 5/16" ID X 1.50		
21	70715	2	SCR, 5/16-18 X 1.75 CARR SS		
22	730335	4	SPACER, 1 OD X .391 ID X .500 LG		
23	51415	1	LINKAGE ASM, DECK ARM	1000150384	

# SCRUB DECK ACTUATOR - CYLINDRICAL

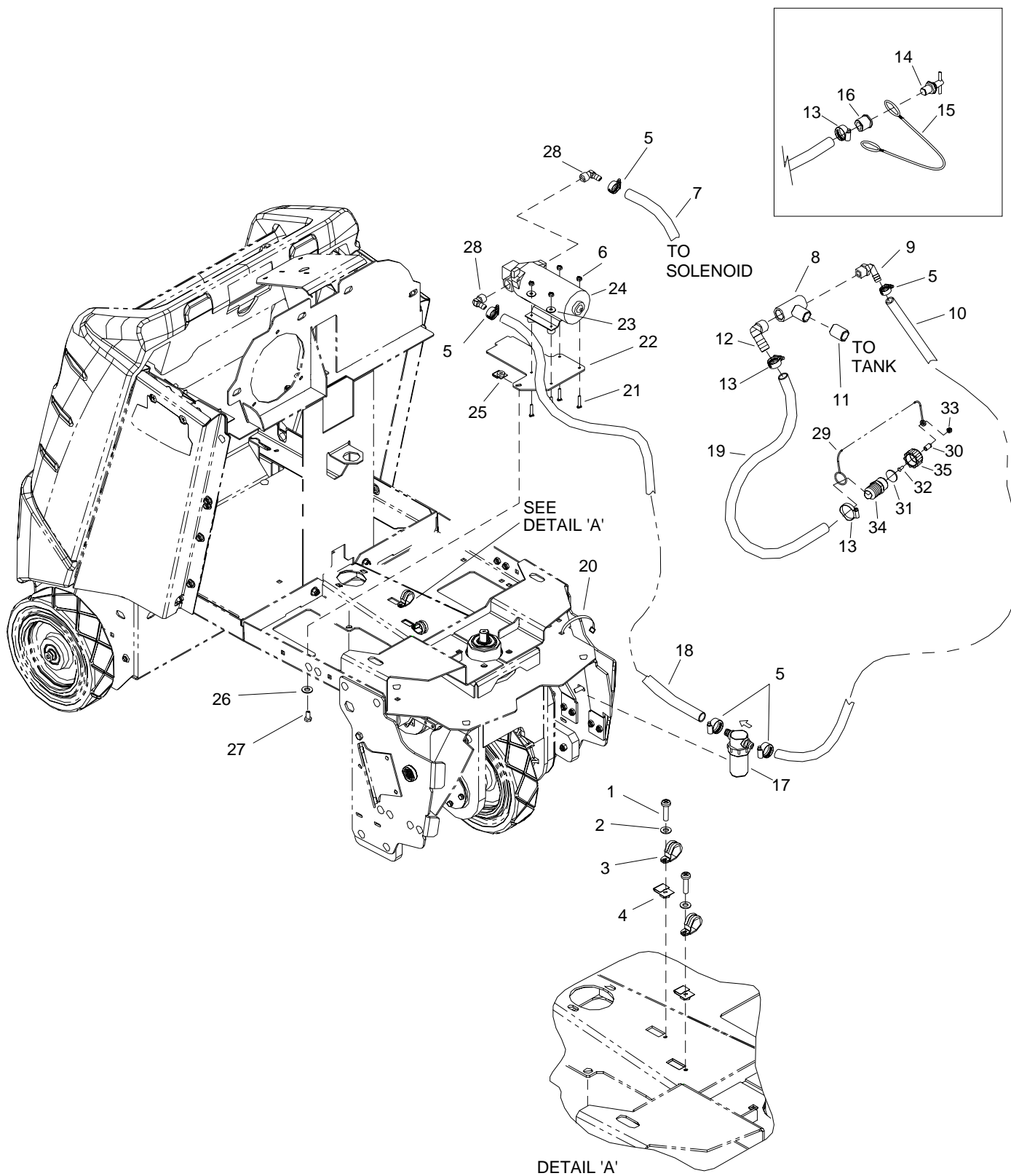




## SCRUB DECK ACTUATOR - CYLINDRICAL

PART NO. QTY DESCRIPTION			SERIAL NO. FROM	NOTES:
1	66233	3	PIN, CLEVIS 3/8 X 1.63PLTD	
2	57023	2	NUT, 5/16-18 HEX NYLOCK SS	
3	73456	2	SPACER, L2020B PLUNGER SWITCH	
4	72157	1	SWITCH, 10A ROLLER MINI	
5	57163	2	NUT, 4-40 W/STAR WASHER	
6	70593	2	SCR, 5/16-18 X 3/4 CARRIAGE SS	
7	87029	4	WASHER, 5/16 FLAT SS	
8	27721	2	CLIP, RETAINING 7/16	
9	73576	1	SPRING, COMP .60 D X 2.0 L X .045 W	
10	66482	1	PLUNGER, MICROSWITCH	
11	14387	1	BRKT, MICROSWITCH MOUNT	
12	70580	2	SCR, 4-40 X 1.0 PPHMS	
13	140850	1	BRKT, ACTUATOR SLIDER	
14	57245	5	NUT, 1/4-20 HEX NYLOCK SS	
15	87013	4	WASHER, 1/4 ID X 5/8 OD SS	
16	14744	2	BUSH, BRZ FLG .25 X .38 X .25	
17	87232	4	WASHER, THRUST .51 ID X 1 OD BRO	
18	140851	2	BAR, COMP. SPRING RETAINER, OS	
19	70019	1	SCR, 1/4-20 X 1.25 HHCS SS	
20	87258	2	WASHER, .804 ID X 1.25 OD X .179	
21	140852	1	BAR, COMP. SPRING RETAINER, IS	
22	730351	1	SPRING, COMP., 1.1 OD X 2.25 L X .148	
23	09124	2	BEARING, FLANGED .314 ID X .502 OD	
24	70724	2	SCR, 5/16-18 X 1.25 BSHCS SS	
25	70443	2	SCR, 1/4-20 X 5/8 SHCS	
26	05250	1	ACTUATOR, 36VDC, 3.5 IN STRK	
27	270114	1	CHAIN, #41, 1/2" PITCH X 34D	
28	81873	1	CHAIN, #41, 1/2" MASTER LINK	
29	66392	1	PIN, CLEVIS 3/8 X 2.75 PLTD	
30	09154	2	BEARING FLG .377 ID X .502 OD X .501	
31	81627	2	SPROCKET, #41 1/2"P 9T	
32	57276	2	NUT, PUSH FLAT RD .51 ID	
33	80606	4	COTTER, 3/8" RING	
34	09139	2	BEARING, FLANGED .377 ID X .502 OD	
35	OPEN	-	-	
36	70642	1	SCR, 3/8-16 X 3 HHCS SS	
37	57022	1	NUT, 3/8-16 HEX NYLOCK THIN SS	
38	70853	2	SCR, 1/4-20 X 5/8 CARR SS	
39	140865	1	BRKT, STRIKER	
40	87030	4	WASHER, 3/8 ID X 3/4 OD NYLON	

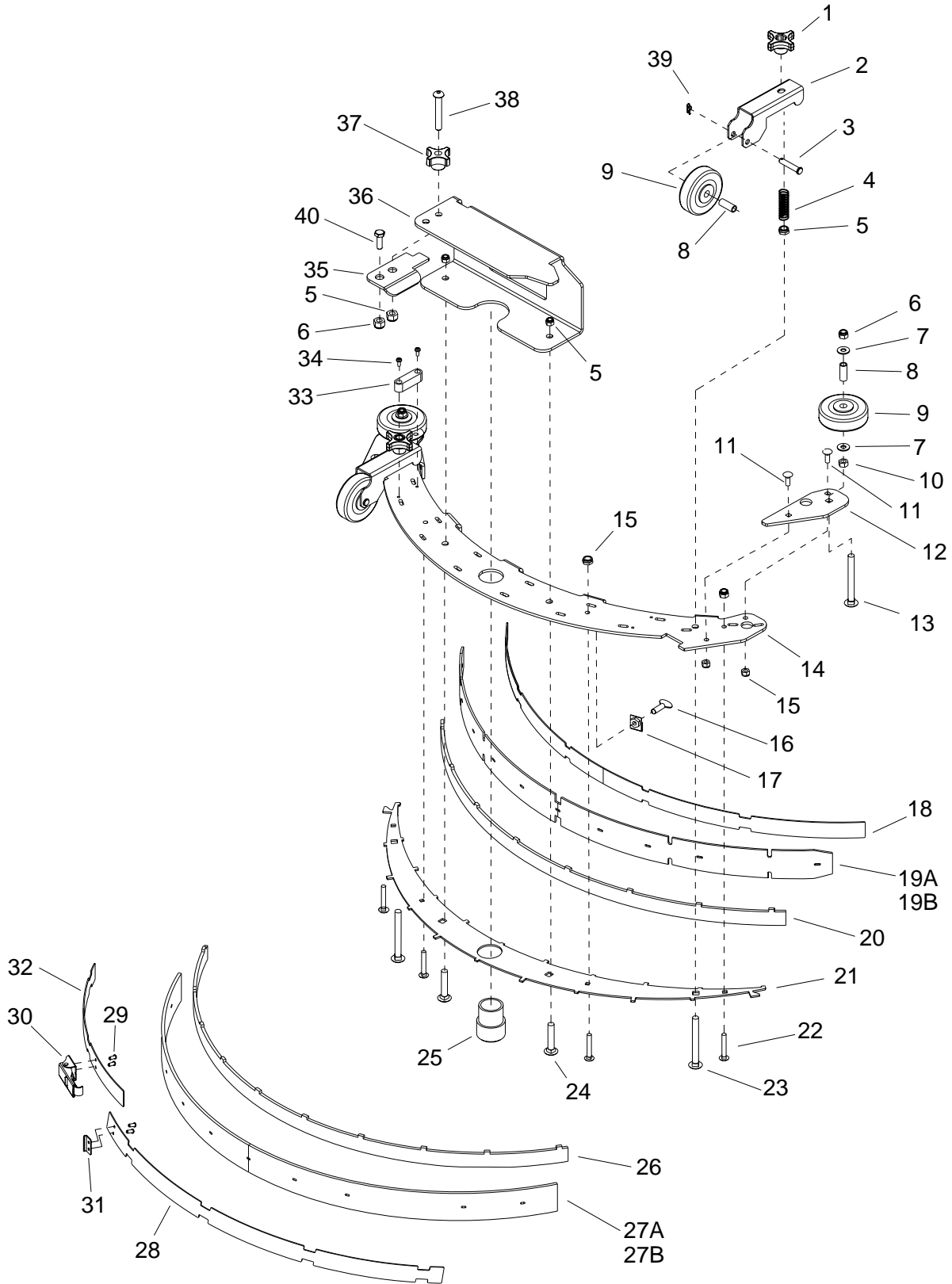
# SOLUTION



## SOLUTION

REF	PART NO.	QTY	DESCRIPTION	SERIAL NO. FROM	NOTES:
1	70086	2	SCR, 10-24 X 1/2 PPHMS		
2	87018	2	WASHER, #10 X 9/16 OD		
3	80887	2	CLAMP, 7/8 DIA "P" CUSHIONED		
4	57028	2	NUT, 10-24 U-TYPE SPEED		
5	20042	5	CLAMP, 3/8 HOSE (D-SLOT)		
6	57090	4	NUT, 10-32 HEX NYLOCK SS		
7	39710	1	HOSE, 1/2ID WIRE BOUND X 49"		
8	81923	1	TEE, 3/4 FPT		
9	40075	1	HOSEBARB, 3/4 MPT X 1/2 90D		
10	39174	1	HOSE, 1/2ID WIRE BOUND X 23"		
11	80960	1	NIPPLE, 3/4 CLOSE PVCE		
12	41526	1	HOSEBARB, 3/4 MPTX1, HOSE 90DEG		
13	20018	2	CLAMP, 1.00" WORM GEAR		
14	82267	1	PLUG, 5/8" DRAIN HOSE		
15	51457	1	LANYARD, .093 X 6 NYLON		WAS 78499
16	40076	1	SLEEVE, .63 ID X 1.0 OD		
17	730327	1	STRAINER, DEEP 1/2BARB 80 MESH		
-	59021	-	O-RING, FILTER SEAL RON-VIK		SERVICE ONLY
-	73839	-	SCREEN, 80 MESH STRAINER DEEP		SERVICE ONLY
18	39540	1	HOSE, 1/2ID WIRE BOUND X 40"		
19	39505	1	HOSE, 1.0 X 18.0 DRAIN		
20	27049	2	CABLE, TIE. 7" UL/CSA		
21	70195	4	SCR, 10-32 X 1.25 PPHMS SS		
22	140724	1	BRKT, SOLUTION PUMP		
23	87018	4	WASHER, #10 X 9/16 OD		
24	65176	1	PUMP ASM, 36V		
25	57270	1	NUT, 5/16-18 CAPTIVE "J" PLTD		
26	87083	1	WASHER, 5/16 SPLIT LOCK PLTD		
27	70728	1	SCR, 5/16-18 X 3/4 HHCS SS		
28	40027	2	HOSEBARB, 3/8MPTX1/2 90D DL		
29	51461	1	LANYARD, .093 X 6", LOOP - .26 EYE	1000154281	
30	730400	1	SPACER, .17 ID X .25 OD X 3/16 LG	1000154281	
31	87507	1	WASHER, 1.0 D X .1 THK, SEAL	1000154281	
32	70887	1	SCR, 8-32 X 1/2 BHCS SST	1000154281	
33	57312	1	NUT, 8/32 ACORN CAP, PLATED	1000154281	
34	40109	1	1" HOSE BARB X 3/4" GHT NYLON	1000154281	
35	22104	1	CAP, 3/4" GHT W/.17 HOLE	1000154281	

# SQUEEGEE - DISK

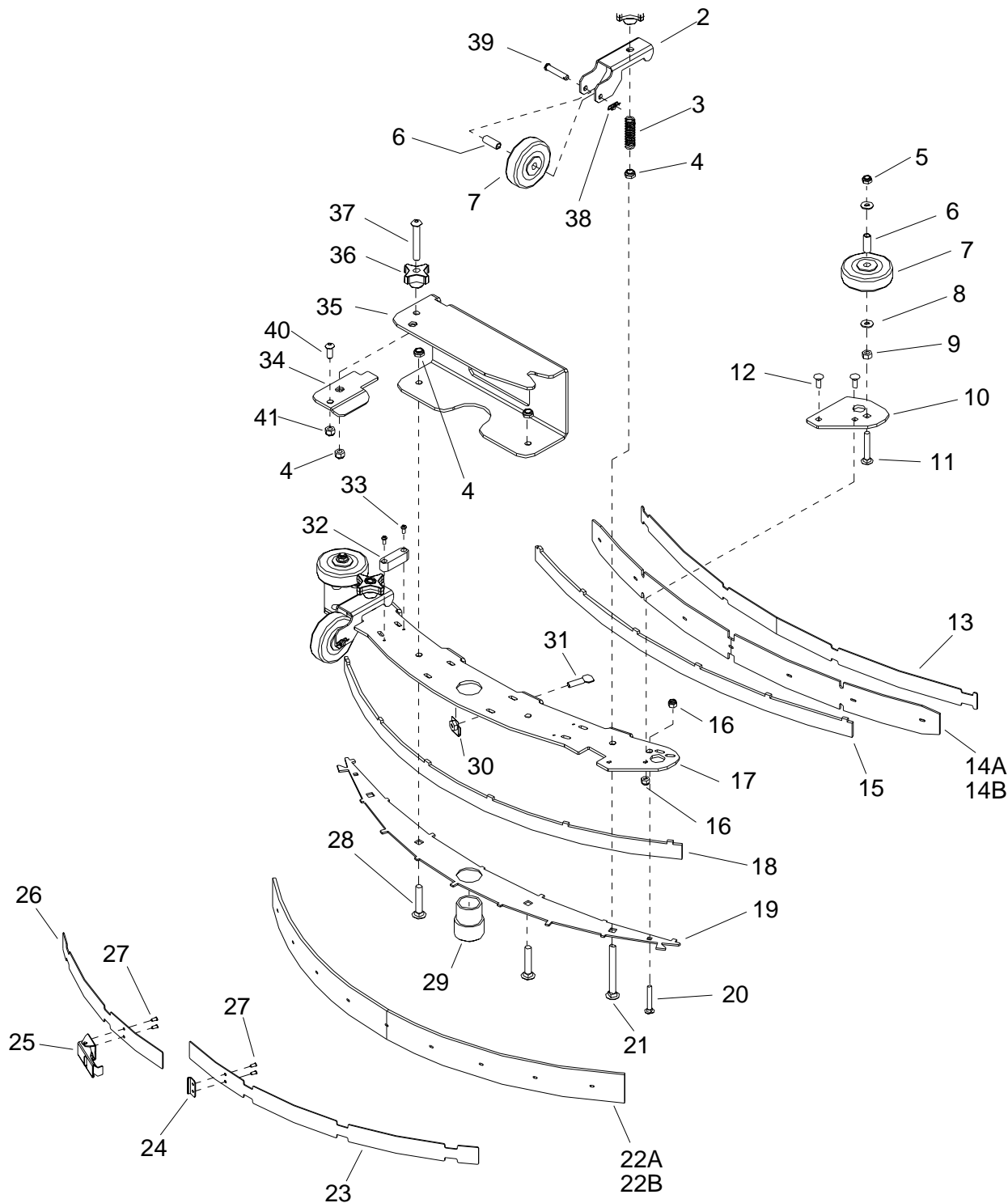


## SQUEEGEE - DISK

REF	PART NO.	QTY	DESCRIPTION	SERIAL NO. FROM	NOTES:
1	48095	2	KNOB, ALUM 3/8-16 NYLOCK NUT SS		
2	140759	2	BRKT, SQG WHEEL		
3	66276	2	PIN, CLEVIS 5/16 X 1.63 PLTD		
4	73576	2	SPRING, COMP .60D X 2.0L X .045 W		
5	57022	2	NUT, 3/8-16 HEX NYLOCK THIN SS		
6	57023	3	NUT, 5/16-18 HEX NYLOCK SS		
7	87029	4	WASHER, 5/16 FLAT SS		
8	140390	2	BUSHING, SPANNER .435 X 1.10		
9	89202	4	WHEEL, 3" DIA CUSHION RUBBER		
10	57031	2	NUT, 5/16-18 HEX		
11	70772	4	SCR, 1/4-20 X 3/4 CARRIAGE SS		
12	66463	2	PLATE, SQG WHEEL NMT BUMPER		
13	70717	2	SCR, 5/16-18 X 2.0 CARRIAGE SS		
14	66459	1	PLATE, SQG TOP 33"		
15	57245	4	NUT, 1/4-20 HEX NYLOCK SS		
16	70680	5	SCR, 5/16-18 X 1 THUMB SS TYPE P		
17	57270	5	NUT, 5/16-18 CAPTIVE "J" PLTD		
18	140760	1	STRAP, SQUEEGEE		
19A	140764	1	BLADE, SQU, FRONT 36.7		
19B	140938	1	BLADE, SQU, FRONT 36.7 URETHANE		
20	66461	1	PLATE, SQG VERTICAL FILLER (F)		
21	66460	1	PLATE, SQG BOTTOM 33"		
22	70777	4	SCR, 1/4-20 X 1.75 CARRIAGE SS		
23	70776	2	SCR, 3/8-16 X 3.5 CARRIAGE SS		
24	70846	2	SCR, 3/8-16 X 2 LG CARRIAGE SS		
25	78493	1	TUBE ASM, SQUEEGEE VAC		
26	66462	1	PLATE, SQG VERTICAL FILLER		
27A	140763	1	BLADE, SQU, REAR 40.6 LINATEX		
27B	140935	1	BLADE, SQU, REAR 40.6 URETHANE		
28	140761	1	BAND, REAR SQUEEGEE		
29	67380	4	RIVET, 5/32 OF X 1/8 GRIP		
30	81488	1	LATCH, SQUEEGEE STRAP		
31	81489	1	STRIKER, SQUEEGEE STRAP REAR		
32	140762	1	BAND, SQG REAR RH		
33	82576	1	VIAL, LEVEL		
34	70098	2	SCR, 8-32 X 3/8 PHTC 'F' PLATD		
35	140795	1	BRKT, SQG QUICK CONNECT LOCK		
36	140794	1	BRKT, SQG QUICK CONNECT MTG		
37	81535	1	KNOB, 3/8-16 4 PRONG ALUM		
38	70845	1	SCR, 3/8-15 X 2.5 LG BSHCS SS		
39	80605	2	COTTER, 5/16 RING		
40	70847	1	SCR, 5/16-18 X 5/8 BSHCS SS		

**NOTE:** Complete Squeegee Assembly available, Part No. 47455

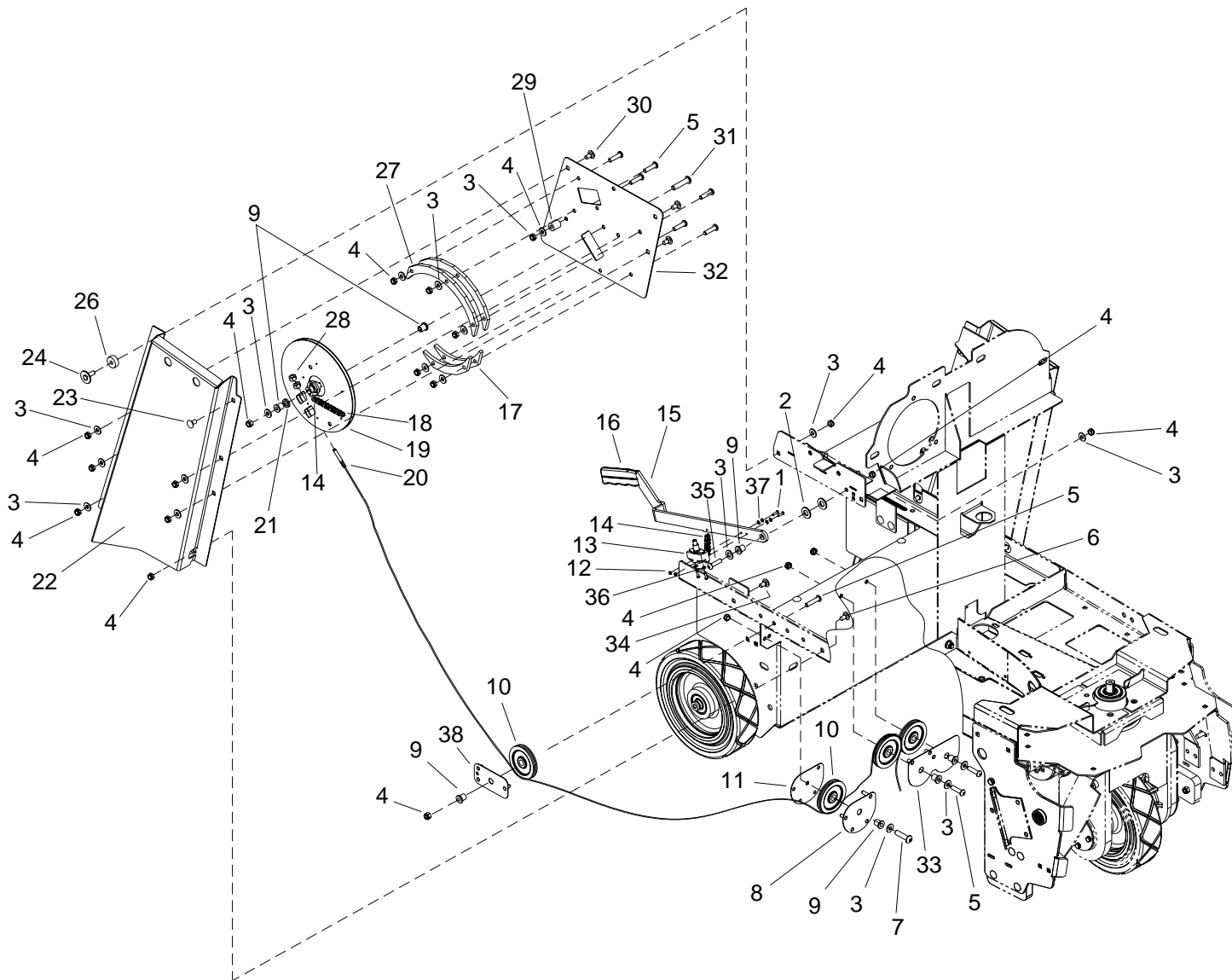
# SQUEEGEE - CYLINDRICAL



## SQUEEGEE - CYLINDRICAL

REF	PART NO.	QTY	DESCRIPTION	SERIAL NO. FROM	NOTES:
1	48095	2	KNOB, ALUM 3/8-16 NYLOCK NUT SS		
2	140531	2	BRKT, SQG WHEEL		
3	73576	2	SPRING, COMP .60 D X 2.0 L X .045 W		
4	57022	6	NUT, 3/8-16 HEX NYLOCK THIN SS		
5	57285	2	NUT, 5/16-18 HEX NYLOCK THIN SS		
6	140390	2	BUSHING, SPANNER .435 X 1.10		
7	89202	4	WHEEL, 3" DIA CUSHION RUBBER		
8	87029	2	WASHER, 5/16 FLAT SS		
9	57031	2	NUT, 5/16-18 HEX		
10	66822	2	PLATE, BUMPER WHEEL MOUNT		
11	70717	2	SCR, 5/16-18 X 2.0 CARRIAGE SS		
12	70772	4	SCR, 1/4-20 x 3/4 CARRIAGE SS		
13	140833	1	STRAP, SQUEEGEE		
14A	140841	1	BLADE, SQU FRONT 29.4		
14B	140937	1	BLADE, SQU FRONT 29.4 URETHANE		
15	66828	1	PLATE, SQG VERTICAL FILLER (F)		
16	57245	6	NUT, 1/4-20 HEX NYLOCK SS		
17	140830	1	BRKT, SQUEEGEE TOP PLATE		
18	66827	1	PLATE, SQG VERTICAL FILLER (R)		
19	66823	1	PLATE, SQUEEGEE BOTTOM 33 IN		
20	70777	2	SCR, 1/4-20 X 1.75 CARRIAGE SS		
21	70776	2	SCR, 3/8-16 X 3.5 CARRIAGE SS		
22A	140842	1	BLADE, SQU REAR 31.3 LINATEX		
22B	140936	1	BLADE, SQU REAR 31.3 URETHANE		
23	140834	1	BAND, REAR SQUEEGEE		
24	81489	1	STRIKER, SQUEEGEE STRAP REAR		
25	81488	1	LATCH, SQUEEGEE STRAP		
26	140835	1	BAND, REAR SQUEEGEE		
27	67380	4	RIVET, 5/32 OF X 1/8 GRIP		
28	70846	2	SCR, 3/8-16 X 3 LG CARRIAGE SS		
29	78493	1	TUBE ASM, SQUEEGEE VAC		
30	57270	4	NUT, 5/16-18 CAPTIVE "J" PLTD		
31	70680	4	SCR, 5/16-1/ X 1 THUMB SS TYPE P		
32	82576	1	VIAL, LEVEL		
33	70098	2	SCR, 8-320X 3/8 PHTC "F" PLTD		
34	140795	1	BRKT, SQG QUICK CONNECT LOCK		
35	140823	1	BRKT, SQG QUICK CONNECT MTG		
36	81535	1	KNOB, 3/8-16 4 PRONG ALUM		
37	70845	1	SCR, 3/8-16 X 2.50 LG BSHCS SS		
38	80605	2	COTTER, 5/16" RING		
39	66276	2	PIN, CLEVIS 5/16 X 1.63 PLTD		
40	70847	1	SCR, 5/16-18 x 5/8 BSHCS SS	1000144785	
41	57023	1	NUT, 5/16-18 HEX NYLOCK SS	1000144785	

# SQUEEGEE LIFT-BASIC

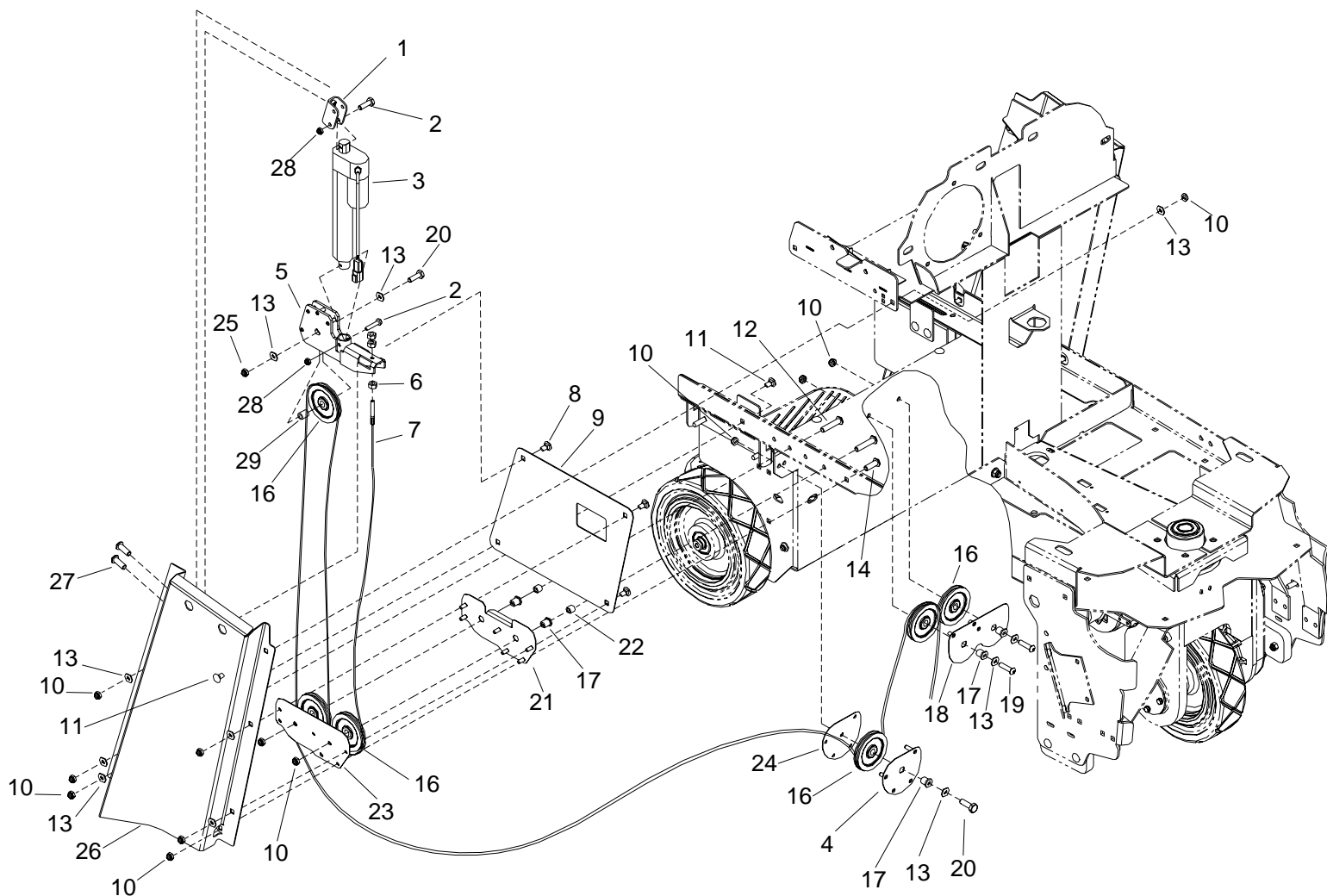




## SQUEEGEE LIFT-BASIC

REF	PART NO.	QTY	DESCRIPTION	SERIAL NO. FROM	NOTES:
1	70851	2	SCR, 6-32 X 1.5 PPHMS SS		
2	87232	2	WASHER, THRUST .51ID X 1 OD		
3	87029	19	WASHER, 5/16 FLAT SS		
4	57023	21	NUT, 5/16-18 HEX NYLOCK SS		
5	70724	9	SCR, 5/16-18 X 1.25 BSHCS SS		
6	70847	1	SCR, 5/16-18 X 5/8 BSHCS SS		
7	70264	1	SCR, 5/16-18 X 1.5 HHCS SS		
8	66831	1	PLATE, PULLEY MOUNT, CORNER	1000143906	
9	09151	7	BUSHING FLANGED, .314ID X .502OD		
10	66464	4	PULLEY, PLASTIC 3.0 DIA.		
11	66832	1	PLATE, PULLEY RETAINER, CORNER	1000143906	
12	57049	2	NUT, 6-32 HEX NYLOCK SS		
13	72192	1	SWITCH, DPST SNAP ACTION		
14	51010	2	LINK, #35 MASTER		
15	38319	1	HANDLE, SQUEEGEE LIFT		
16	36215	1	GRIP, 3/16 X 1.0 ORANGE		
17	66474	2	PLATE, KEEPER BOTTOM		
18	270099	1	CHAIN, #35, 3/8 PITCH X 29		
19	270096	1	CAM, SQUEEGEE LIFT		
20	270097	1	CABLE, SQUEEGEE LIFT BASIC		
21	87140	1	WASHER, WAVE 1/2ID X 3/4D X .125		
22	140807	1	BRKT, SIDE CHANNEL R		
23	70593	1	SCR, 5/16-18 X 3/4 CARRIAGE SS		
24	89501	1	ASM, HANDLE RETAINER		
25	OPEN				
26	730331	1	SPACER, 1.00 OD X .32 ID X .375		
27	66473	2	PLATE, KEEPER TOP		
28	57029	2	NUT, 1/4-20 HEX SS		
29	80835	1	SPACER, .32ID X .71OD X .76L NYL		
30	70840	4	SCR, 5/16-18 X 5/8 CARRIAGE SS		
31	70839	1	SCR, 5/16-18 X 1.75 BSHCS SS		
32	66471	1	PLATE, CAM MOUNT		
33	66824	1	PLATE, PULLEY MOUNTING, CENTER		
34	70593	1	SCR, 5/16-18 X 3/4 CARRIAGE SS		
35	70673	1	SCR, 5/16-18 X 1.25 HHCS SS NP		
36	87014	2	WASHER, #8 INT.STAR		
37	87161	4	WASHER, #6 FLAT SAE PLTD		
38	66833	1	BRKT, PULLEY RETAINER, SINGLE	1000143906	

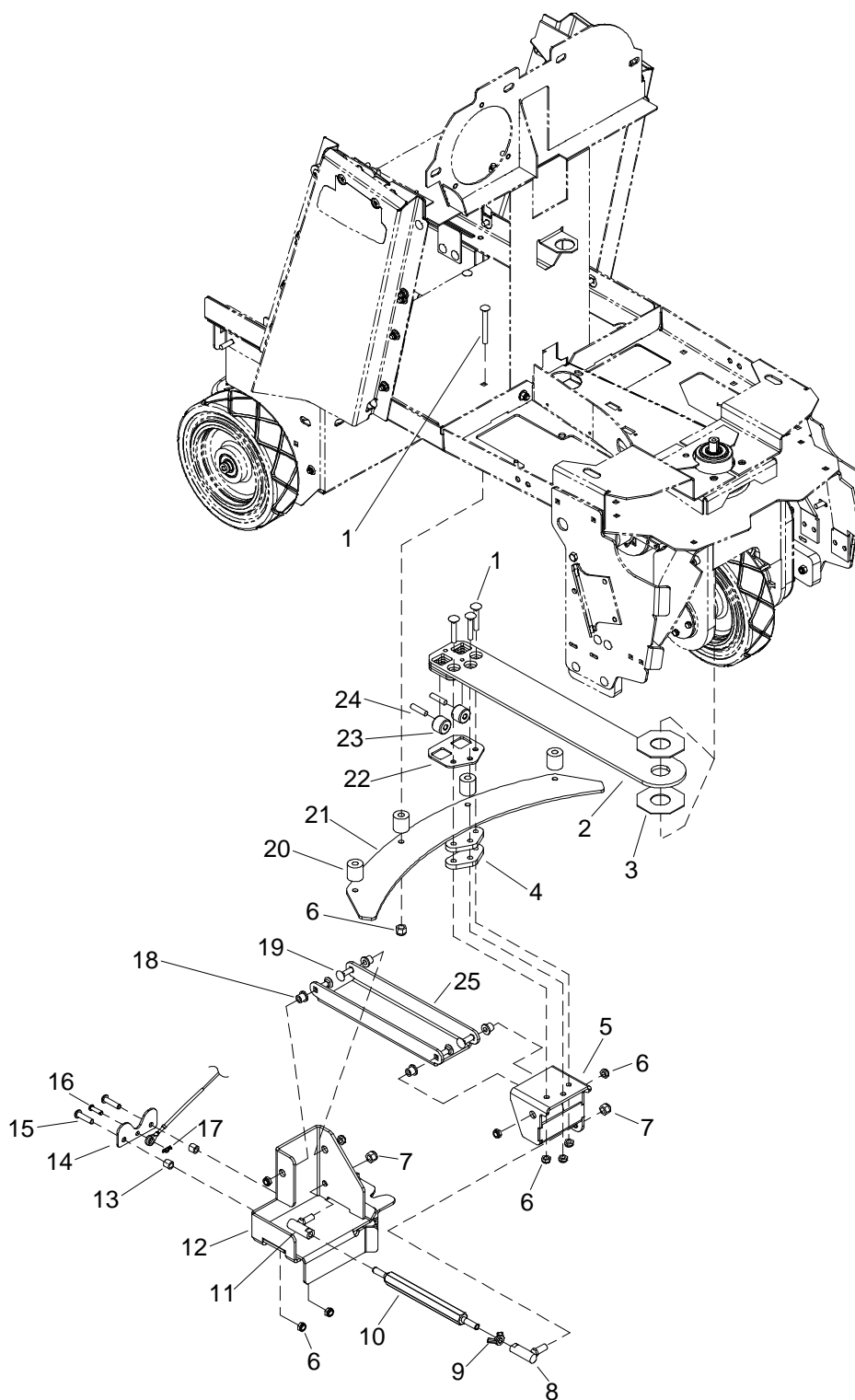
# SQUEEGEE LIFT-DELUXE



## SQUEEGEE LIFT-DELUXE

REF	PART NO.	QTY	DESCRIPTION	SERIAL NO. FROM	NOTES:
1	140793	1	BRACKET, ACTUATOR MOUNT		
2	70019	1	SCR, 1/4-20 X 1.25 HHCS		
3	05254	1	ACTUATOR, 36VDC, 4.5" STROKE		
4	66831	1	PLATE, PULLEY MOUNT, CORNER	1000143906	
5	140840	1	BRACKET, SQG LIFT PULLEY MOUNT	1000143906	
6	57029	3	NUT, 1/4-28 HEX SS		
7	270098	1	CABLE, SQUEEGEE LIFT DELUXE		
8	70840	4	SCR, 5/16-18 X 5/8 CARRIAGE SS		
9	270700	1	COVER, SQUEEGEE LIFT		
10	57023	15	NUT, 5/16-18 HEX NYLOCK SS		
11	70593	3	SCR, 5/16-18 X 3/4 CARRIAGE SS		
12	70839	2	SCR, 5-16-8 X 1.75 BSHCS SS		
13	87029	10	WASHER, 5/16 FLAT SS		
14	70847	1	SCR, 5/16-18 X 5/8 BSHCS SS		
15	87232	1	WASHER, THRUST .51ID X 1 OD BRO		
16	66464	6	PULLEY, PLASTIC 3.0 DIA		
17	09151	5	BUSHING, FLANGE, .314ID X .502OD		
18	66824	1	PLATE, PULLEY MOUNTING, CENTER		
19	70724	2	SCR, 5/16-18 X 1.25 BSHCS SS		
20	70264	2	SCR, 5/16-18 X 1.50 HHCS SS		
21	140843	1	BRACKET, PULLEY RETAINER, DOUBLE	1000143906	
22	730008	2	SPACER, .317ID X .50D X .44 LG		
23	140844	1	BRKT, PULLEY RETAINER, DOUBLE	1000143906	
24	66832	1	PLATE, PULLEY RETAINER, CORNER	1000143906	
25	57285	1	NUT, 5/16-18 HEX NYLOCK THIN SS		
26	270101	1	CHANNEL, RIGHT DELUXE		
27	70850	2	SCR, 5/16-18 X 1/2 PTHMS SS		
28	57290	2	NUT, 1/4-20 HEX NYLOCK THIN SS		
29	09132	1	BEARING, .314 ID X .503 OD X 1		

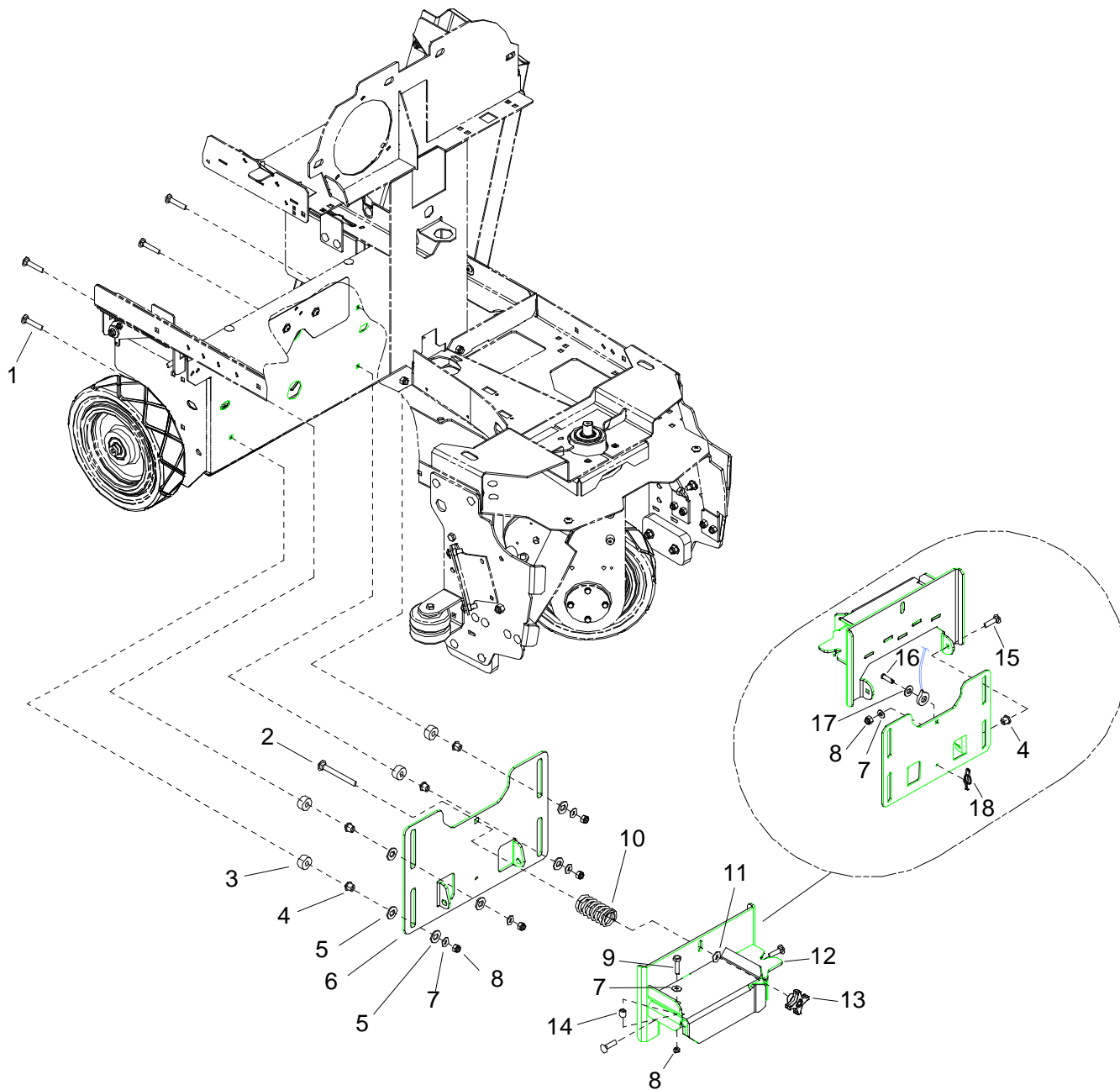
# SQUEEGEE SWING



## SQUEEGEE SWING

REF	PART NO.	QTY	DESCRIPTION	SERIAL NO. FROM	NOTES:
1	70715	7	SCR, 5/16-18 X 1.75 CARR SS		
2	140787	1	BRACKET, SQUEEGEE SIDE PIVOT		
3	87247	2	WASHER, 1.25 ID X .075 OCTAGON		
4	66475	2	PLATE, SQG SWING SPACER		
5	140800	1	BRACKET, H PIVOT MOUNT		
6	57023	9	NUT, 5/16-18 HEX NYLOCK SS		
7	57216	2	NUT, 3/8-24 HEX NYLOCK		
8	80697	1	BALL JOINT ASY, 3/8-24 RH		
9	57303	1	NUT, 3/8-24 WING SS		
10	67510	1	ROD, CAMBER ADJUST		
11	140353	1	BALL JOINT ASSY, 3/8-24 LH		
12	140798	1	BRKT, SQG QUICK CONNECT		
13	730008	2	SPACER, .317ID X .500 X .44LG		
14	66479	1	PLATE, CABLE RETAINING		
15	70724	2	SCR, 5/16-18 X 1.25 BSHCS SS		
16	80771	1	PIN, CLEVIS 1/4 X .88 PLTD		
17	80604	1	COTTER, 1/4 RING		
18	09124	4	BEARING, FLANGED .314 ID X .502 OD		
19	70780	4	SCR, 5/16-18 X 1.25 CARRIAGE SS		
20	730336	4	SPACER, 1 OD X .343 ID X 1.063		
21	66446	2	PLATE, SQUEEGEE SWING		
22	66468	1	PLATE, WHEEL RETAINER		
23	89268	2	WHEEL, 1.000 OD X .323 ID X .750 SS		
24	66466	2	PIN, .312 DIA X 1.250 LG SS		
25	140740	2	BRKT, SQUEEGEE SWING HORIZ		

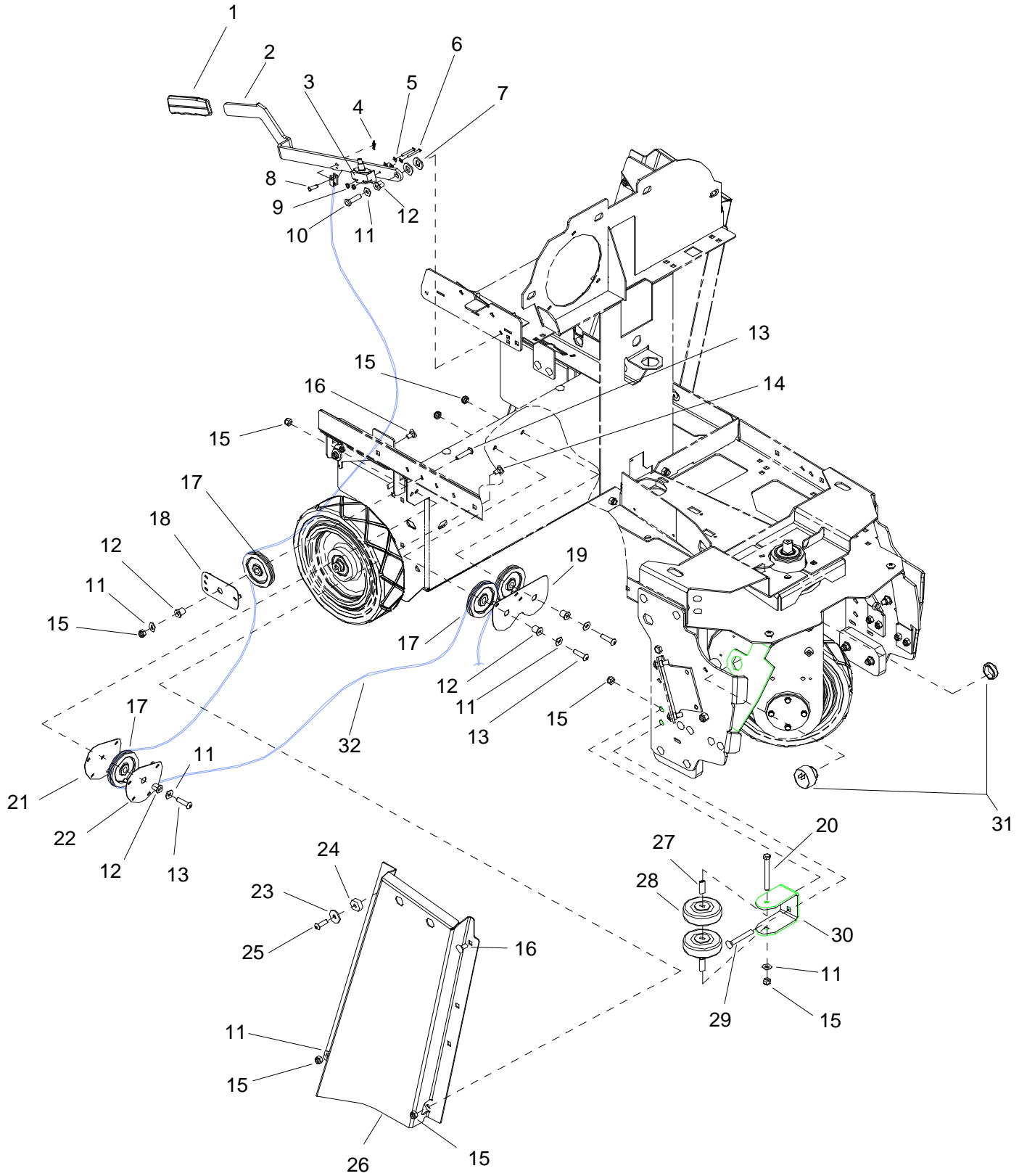
# SQUEEGEE LIFT - CYLINDRICAL



## SQUEEGEE LIFT - CYLINDRICAL

REF	PART NO.	QTY	DESCRIPTION	SERIAL NO. FROM	NOTES:
1	70715	4	SCR, 5/16-18 X 1.75 CARR SS		
2	70776	1	SCR, 3/8-16 X 3.5 CARRIAGE SS		
3	730335	4	SPACER, 1 OD X .391 ID X .500		
4	09124	6	BEARING, FLANGED .314 ID X .502 OD		
5	87232	8	WASHER, THRUST .51 ID X 1 OD BRO		
6	140819	1	BRKT, SQG MOUNT VERTICAL		
7	87029	7	WASHER, 5/16 FLAT SS		
8	57023	7	NUT, 5/16-18 HEX NYLOCK SS		
9	70673	1	SCR, 5/16-18 X 1.25 HHCS SS NP		
10	730006	1	SPRING, COMP 1.10 OD X 2.0 L X .148 W		
11	87003	1	WASHER, 3/8 ID X 7/8 OD SS		
12	730344	1	SQG TRACK WHEEL		
13	48095	1	KNOB, ALUM 3/8-16 NYLOCK NUT SS		
14	730008	1	SPACER, .317 ID X .50 D X .44 LG		
15	70780	2	SCR, 5/16-18 X 1.25 CARRIAGE SS		
16	82053	1	PIN, CLEVIS 1/4 X .63 PLTD		
17	87013	1	WASHER, 1/4 ID X 5/8 OD SS		
18	80604	1	COTTER, 1/4" RING		

# SQUEEGEE LIFT - CYLINDRICAL

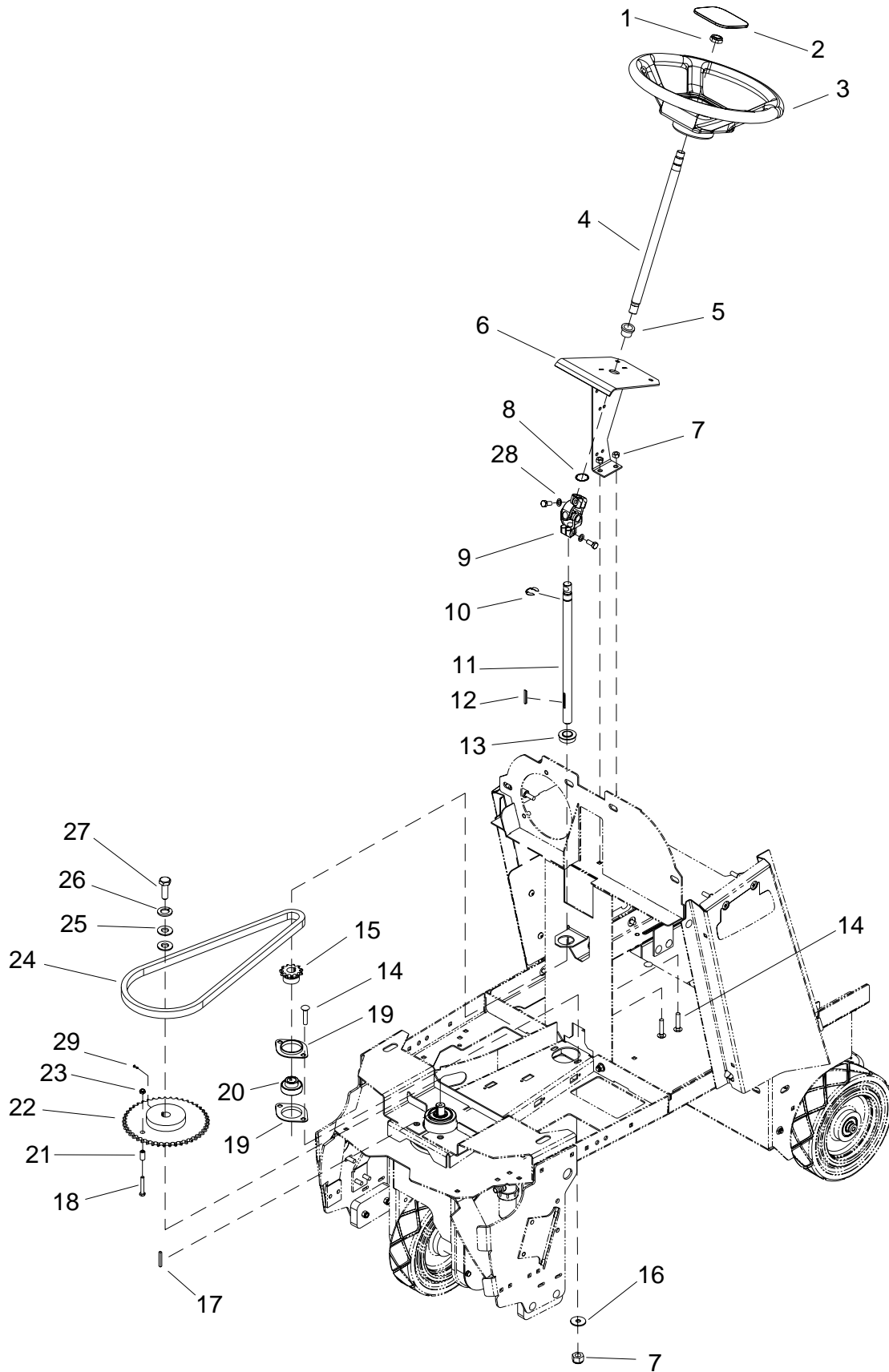




## SQUEEGEE LIFT - CYLINDRICAL

REF	PART NO.	QTY	DESCRIPTION	SERIAL NO. FROM	NOTES:
1	36215	1	GRIP, 3/16 X 1.0 ORANGE		
2	38319	1	HANDLE, SQUEEGEE LIFT		
3	72192	1	SWITCH, DPST SNAP ACTION		
4	80604	1	COTTER, 1/4" RING		
5	87161	2	WASHER, #6 FLAT SAE		
6	70500	2	SCR, #6-32 X 1.25 PPHMS		
7	87232	2	WASHER, THRUST .51 ID X 1 OD BRO		
8	82053	1	PIN, CLEVIS 1/4 X .63 PLTD		
9	57049	2	NUT, 6-32 HEX NYLOCK SS		
10	70673	1	SCR, 5/16-18 X 1.25 HHCS SS NP		
11	87029	8	WASHER, 5/16 FLAT SS		
12	09151	5	BUSHING, FLANGE, .314 ID X .502 OD		
13	70724	4	SCR, 5/16-18 X 1.25 BSHCS SS		
14	70847	1	SCR, 5/16-18 X 5/8 BSHCS SS		
15	57023	12	NUT, 5/16-18 HEX NYLOCK SS		
16	70593	2	SCR, 5/16-18 X 3/4 CARRIAGE SS		
17	66464	4	PULLEY, PLASTIC 3.0 DIA		
18	66833	1	BRKT, PULLEY RETAINER, SINGLE		
19	66824	1	PLATE, PULLEY MOUNTING, CENTER		
20	70754	2	SCR, 5/16-18 X 3 HHCS SS NP		
21	66832	1	PLATE, PULLEY RETAINER, CORNER		
22	66831	1	PLATE, PULLEY MOUNT, CORNER		
23	87212	1	WASHER, .344 ID X .13 OD X .09 T PLTD		
24	70331	1	SCR, 8-32 X 1/4 SPHMS BLK NYL		
25	70514	1	SCR, 5/16-18 X 1.00 BSHCS SS		
26	140807	1	BRKT, SIDE CHANNEL R		
27	140390	4	BUSHING, SPANNER .435 X 1.10		
28	89202	4	WHEEL, 3" DIA CUSHION RUBBER		
29	70795	4	SCR, 5/16-18 X 1.00 CARRIAGE SS		
30	140837	2	BRKT, SIDE WHEEL MOUNT		
31	41520	1	HORN, 108 DB MINIATURE PIEZO		
32	270105	1	CABLE, SQG LIFT, SCRUBPLUS		

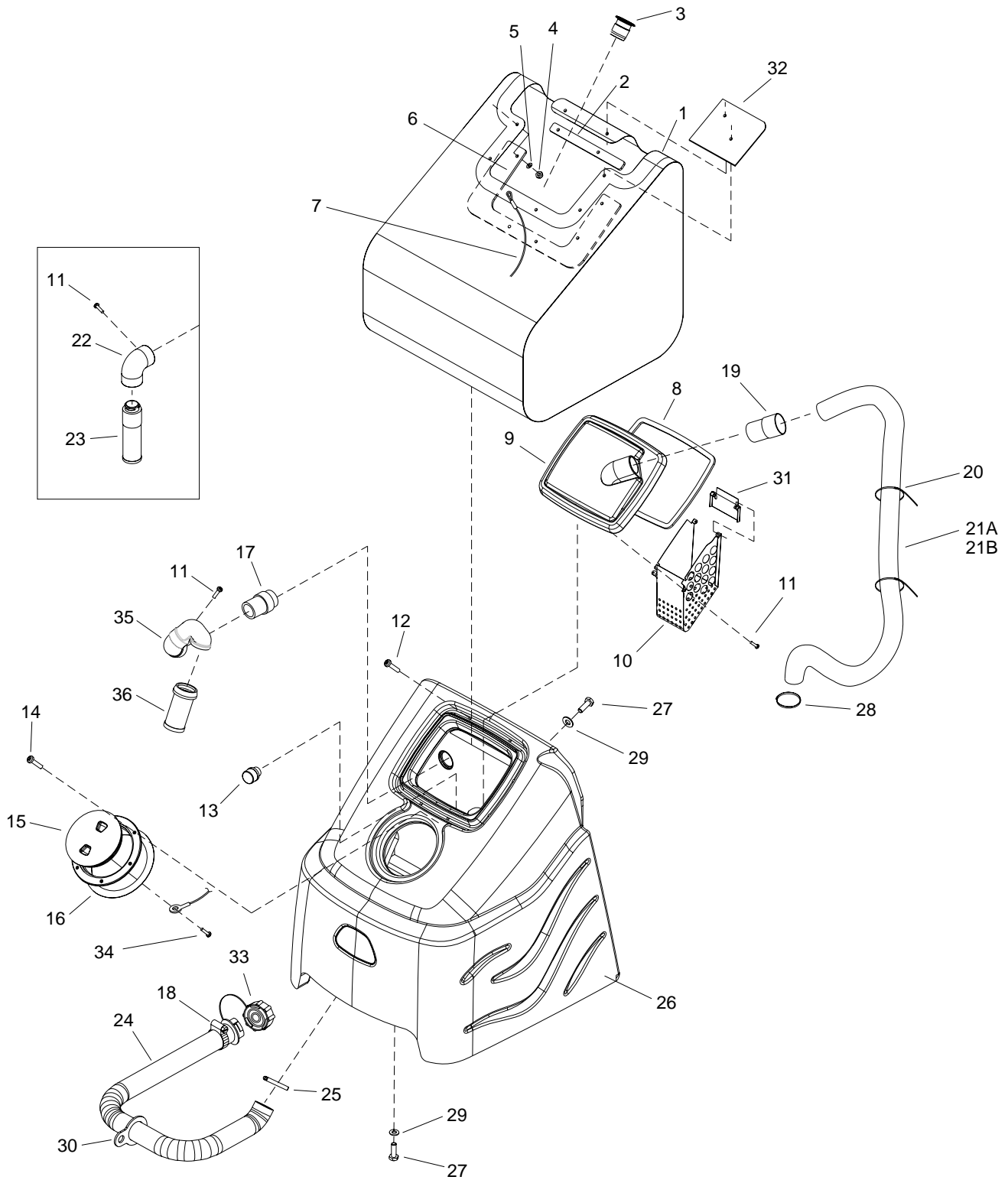
# STEERING



## STEERING

REF	PART NO.	QTY	DESCRIPTION	SERIAL NO. FROM	NOTES:
1	57228	1	NUT, 5/8-16 HEX NYLOCK THN		
2	27945	1	COVER, STEERING WHEEL		
3	730117	1	WHEEL, STEERING 40 SPLINE HUB		
4	730318	1	SHAFT, UPPER STEERING		
5	09111	1	BEARING, FLANGE .88ODX.75IDX.75		
6	140720	1	BRKT, UPPER STEERING		
7	57023	4	NUT, 5/16-18 HEX NYLOCK SS		
8	57016	1	NUT, 7/8 DIA PUSHLOCK		
9	45012	1	JOINT, UNIVERSAL FEMALE		
10	67416	1	RING, 3/4" KLIP		
11	730319	1	SHAFT, LOWER STEERING		
12	48110	1	KEY, 5MM SQ X 39MM L		
13	09072	1	BEARING, 3/4" BORE FLANGED		
14	70593	4	SCR, 5/16-18 X 3/4 CARRIAGE SS		
15	730315	2	SPROCKET, STEERING SHAFT		
16	87029	2	WASHER, 5/16 FLAT SS		
17	48045	1	KEY, 3/16 SQ X 5/8 LONG		
18	70377	1	SCR, 3/8-16 X 1.25 HHCS SS		
19	80595	2	FLANGE, BEARING PRESS STEEL		
20	09148	1	BEARING, BALL 3/4 BORE SPHERED		
21	730221	1	SPACER, .63 OD X .385ID X .64L		
22	730316	1	SPROCKET, DRIVE WHEEL STEERING		
23	57022	1	NUT, 3/8-16 HEX NYLOCK THIN SS		
24	270088	1	CHAIN, ISO 08B, 12.7MM PITCH		
25	87008	2	WASHER, 1/4 ID X 1-1/4OD		
26	87162	1	WASHER, 1/4 SPLIT LOCK PLTD		
27	70175	1	SCR, M6 X 20HHMS PLTD		
28	87083	2	WASHER, 5/16 SPLIT LOCK		
29	70806	1	SET SCR, M6 X 25 NP		SERVICE ONLY
-	279001	-	CHAIN, MASTERLINK 12.7MM		SERVICE ONLY

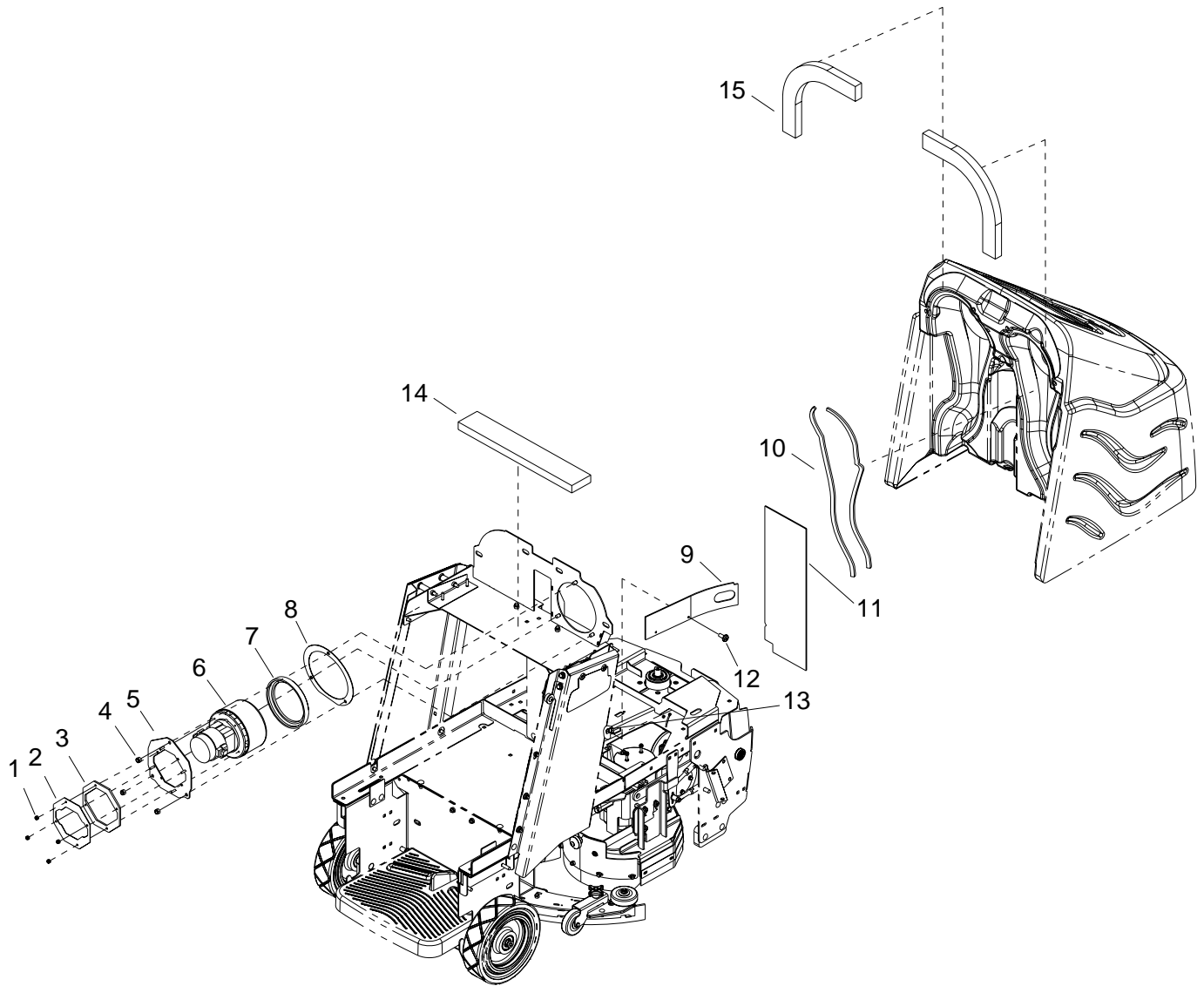
# TANK



# TANK

REF	PART NO.	QTY	DESCRIPTION	SERIAL NO. FROM	NOTES:
1	140712	1	BAG, INNER TANK		
2	67513	1	RETAINER, BACK BAG	*	
3	54198	1	MANDREL, BAG		
4	57299	8	NUT, 1/4-20 ACORN SS		
5	87013	8	WASHER, 1/4-20 X 5/8 OD SS		
6	67514	1	RETAINER, MAIN BAG	*	
7	51368	1	LANYARD, 18.0 W/LOOP & EYE		
8	35274	1	GASKET, DOME EDGE		
9	28063	1	DOME, COVER, 10X13		
10	140745	1	BASKET, VAC DOME		
11	70403	5	SCR, #10X1/2 PPHST TYPE B		
12	70744	8	SCR, 1/4-20X1 PFH BLK SS		
13	730333	1	STRAINER, 3/4-MNPT, 12 MESH		
14	70546	6	SCR, 8 X 3/4 PFHT/S BLK ZINC		
15	260-64A	1	ACCESS COVER CLEAR 6" W/RIM		
16	35255	1	GASKET, TANK LID		
17	78934	1	TUBE ASM		
18	20063	1	CLAMP, 1.75" WORM GEAR X .312		
19	27759	1	CUFF, HOSE 1.5" BLK A 2161		
20	27746	3	CABLE TIE, .19W X 11.5L BLK		
21A	40087	1	HOSE ASM., 1.5 BLK VAC X 67		DISK
21B	39550	1	HOSE ASM, 1.5 BLK VAC X 50		SCRUB PLUS
22	31101	1	ELBOW, 1.5 FS X FS 90 DEG		
23	34380	1	FLOAT, SHUT-OFF		
24	39707	1	HOSE ASM, 2 X 37.0 DRAIN		ASM, HOSE & CAP
25	20046	1	CLAMP, 2.25" WORM GEAR		
26	75455	1	TANK		
27	70305	6	SCR, 5/16-18 x 3/4 HHCS GR5 PLTD		
28	03-000176	1	CLAMP, HOSE #20	1000156273	
29	87212	6	WASHER, .344 ID X 1.13 OD X .09T PLT		
30	51407	1	TETHER, DRAIN HOSE, 1.5		
31	620102	1	PLATE, DOME BASKET	1000149664	
32	34447	1	FLAP, TANK DEBRIS	1000149664	
33	39717	1	CAP, DRAIN HOSE		SERVICE ONLY
34	70866	1	SCR, #6 X 1/2 SHT MTL SS		
35	31377	1	ELBOW ASM, FLOAT	1000159653	
36	090-12A	1	FLOAT SCREEN CAGE ASSY	1000159653	

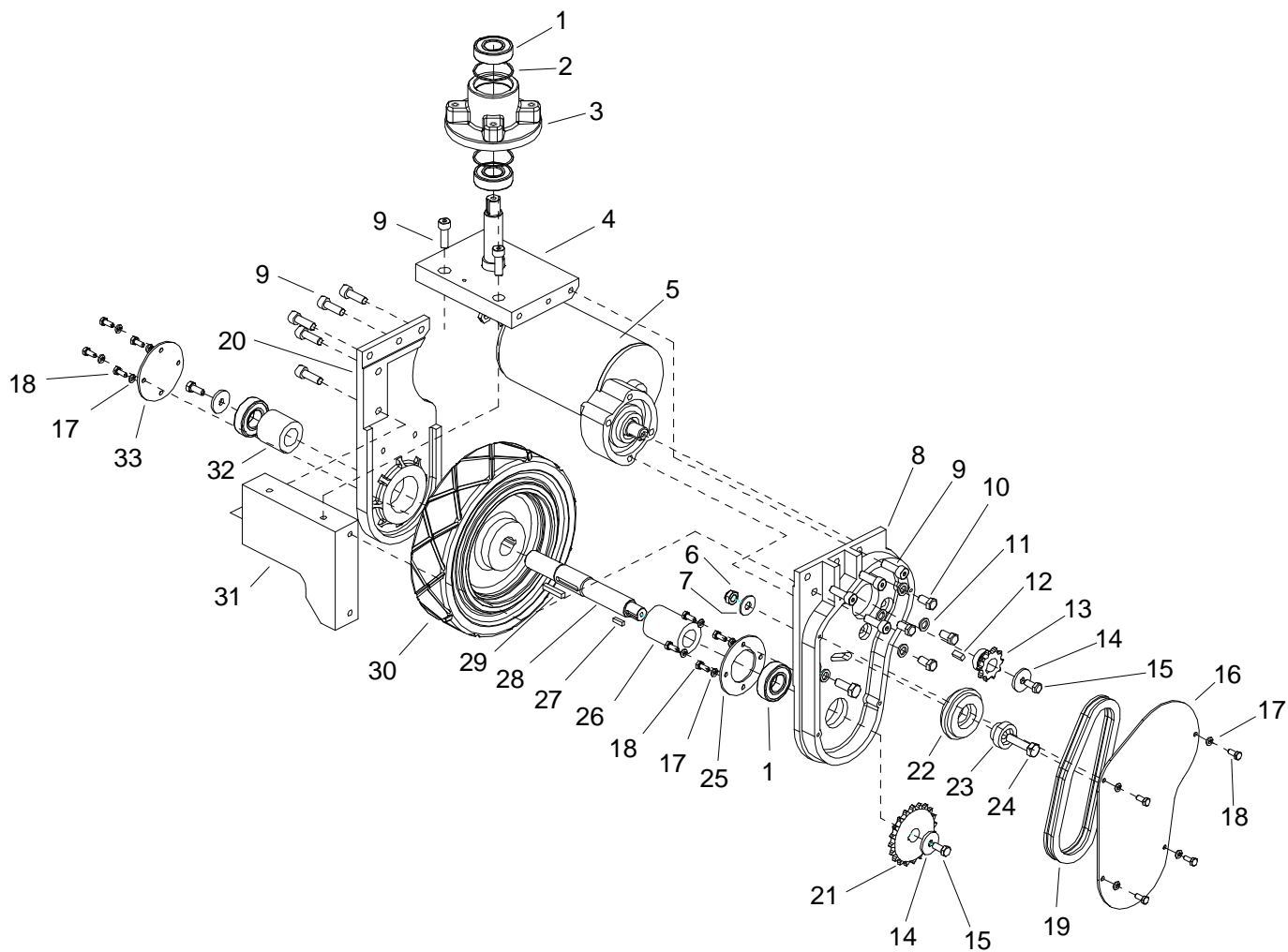
# VACUUM



**VACUUM**

REF	PART NO.	QTY	DESCRIPTION	SERIAL NO. FROM	NOTES:
1	57090	4	NUT, 10-32 HEX NYLOCK SS		
2	66430	1	PLATE, VAC MOTOR ADAPT		
3	66428	1	PLATE, VAC SPACER		
4	57023	3	NUT, 5/16-18 HEX NYLOCK SS		
5	66429	1	PLATE, VAC MOUNTING		
6	53809	1	VAC MOTOR 36VDC 3 STG		
-	140686	-	BRUSH SET, 24/36V VAC WINDSOR		SERVICE ONLY
7	35276	1	GASKET, 5.7 VAC MOTOR		
8	35277	1	GASKET, VAC MOUNT		
9	36241	1	GUARD, CHAIN RT		
10	36243	2	GASKET, 1/4 T X 3/4 W X 24 L		
11	270100	1	VAC CHANNEL COVER		
12	70086	2	SCR, 10-24 X 1/2 PPHMS		
13	57028	2	NUT, 10-24 U-TYPE SPEED		
14	34436	1	FOAM, POLYESTER, 1X3X18	1000143553	
15	34437	2	FOAM, POLY, 1X2 CURVED W/ADH	1000143553	

# WHEEL-FRONT DRIVE

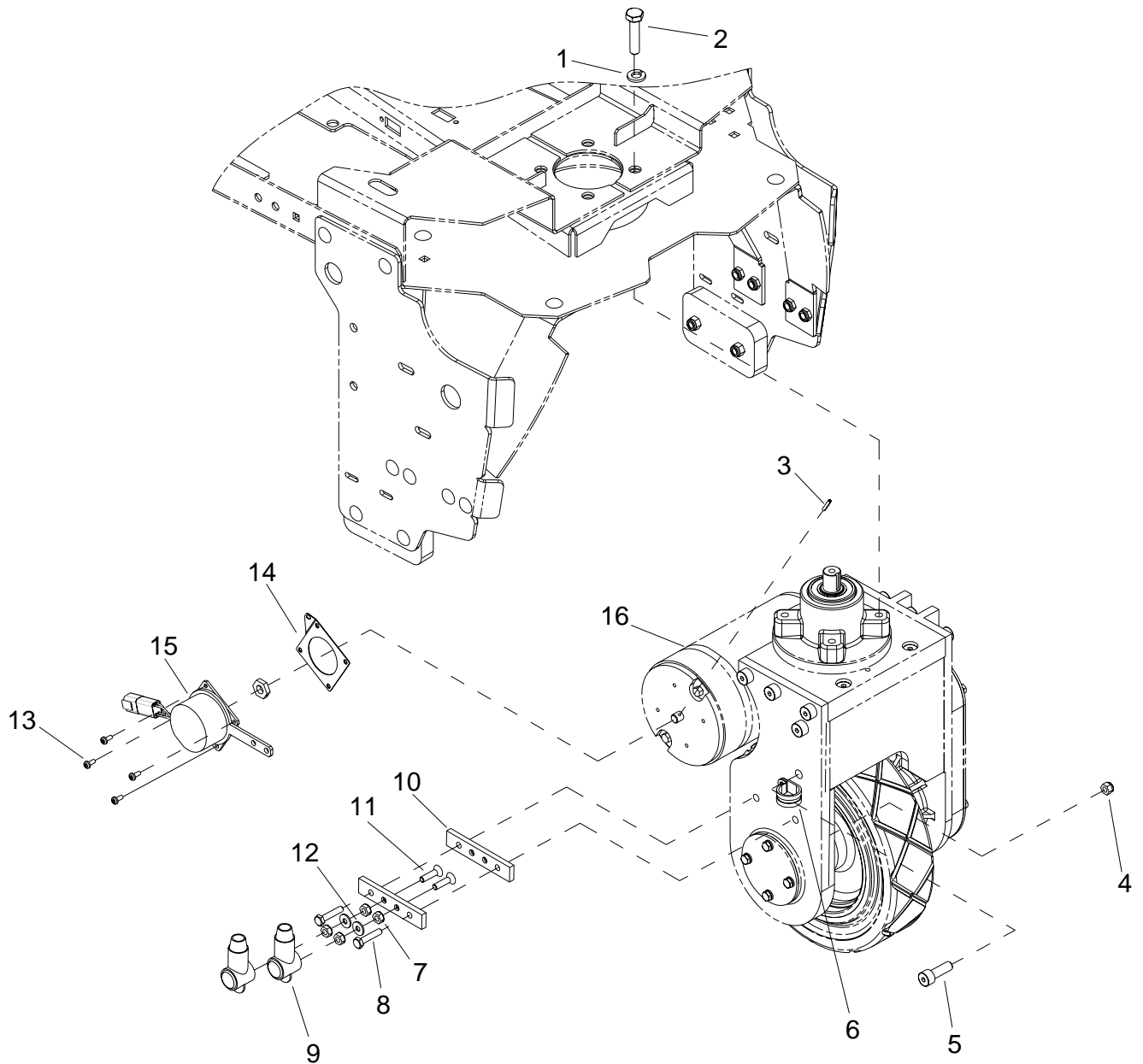




## WHEEL-FRONT DRIVE

REF	PART NO.	QTY	DESCRIPTION	SERIAL NO. FROM	NOTES:
1	09134	4	SEALED BALL BRNG, 25MM X 52MM		
2	67450	2	RING, 52MM INTERNAL SNAP		
3	41510	1	STEERING, HUB		
4	730306	1	SHAFT, ASM, DRIVE PIVOT		
5	53810	1	MOTOR, 36V 180RPM GEAR		
-	53820	-	BRUSH SET MOTOR 53810		
-	05261	-	ARMATURE 53810 MOTOR		
6	57275	1	NUT, M10X1.5 HEX NYLOCK PLTD		
7	87086	1	WASHER, M10 X 30 PLTD		
8	620038	1	PLATE, DRIVE WHEEL YOKE		
9	70828	11	SCR, M10 X 30 SHCS		
10	70515	4	SCR, 3/8-24 X 3/4 HHCS GR5 PLTD		
11	87244	5	WASHER, M10 X 18 FLAT		
12	48106	1	KEY, 1/4 SQ. X .63		
13	730310	1	SPROCKET, MOTOR SHAFT		
14	87245	3	WASHER, M8 X 32 FLAT		
15	70262	2	SCR, M8-1.25 X 20HHMS PLTD		
16	620036	1	PLATE, CHAIN COVER		
17	87243	12	WASHER, M6 SPLIT LOCK		
18	70830	12	SCR, M6 X 15 HHCS		
19	270085	1	CHAIN, ISO 08B 12.7MM PITCH/LINK		
-	279000	-	CHAIN, OFF-SET LINK 12.7MM		SERVICE ONLY
-	279001	-	CHAIN, MASTERLINK 12.7MM		SERVICE ONLY
20	620041	1	PLATE, DRIVE YOKE RH		
21	730311	1	SPROCKET, DRIVE WHEEL		
22	270076	1	CHAIN TENSIONER		
23	730293	1	SLEEVE, CHAIN TENSIONER		
24	70829	1	SCR, M10 X 45 HHCS		
25	620037	1	PLATE, BEARING RETAINER		
26	730294	1	SPACER, 25.5ID X 45OD X 65L		
27	48107	1	KEY, 3/16 SQ X .67		
28	05231	1	AXLE, TWISTER		
29	48108	1	KEY, 1/4 SQ X 1.5		
30	89262	1	WHEEL, 10X2, 5X1.06 W/KEYWAY		
31	620040	1	PLATE, DRIVE YOKE FRONT		
32	730295	1	SPACER, 25.5ID X 45OD X 43L		
33	620042	1	PLATE, BEARING COVER		
34	29269	-	DRIVE ASM, MOTOR		COMPLETE

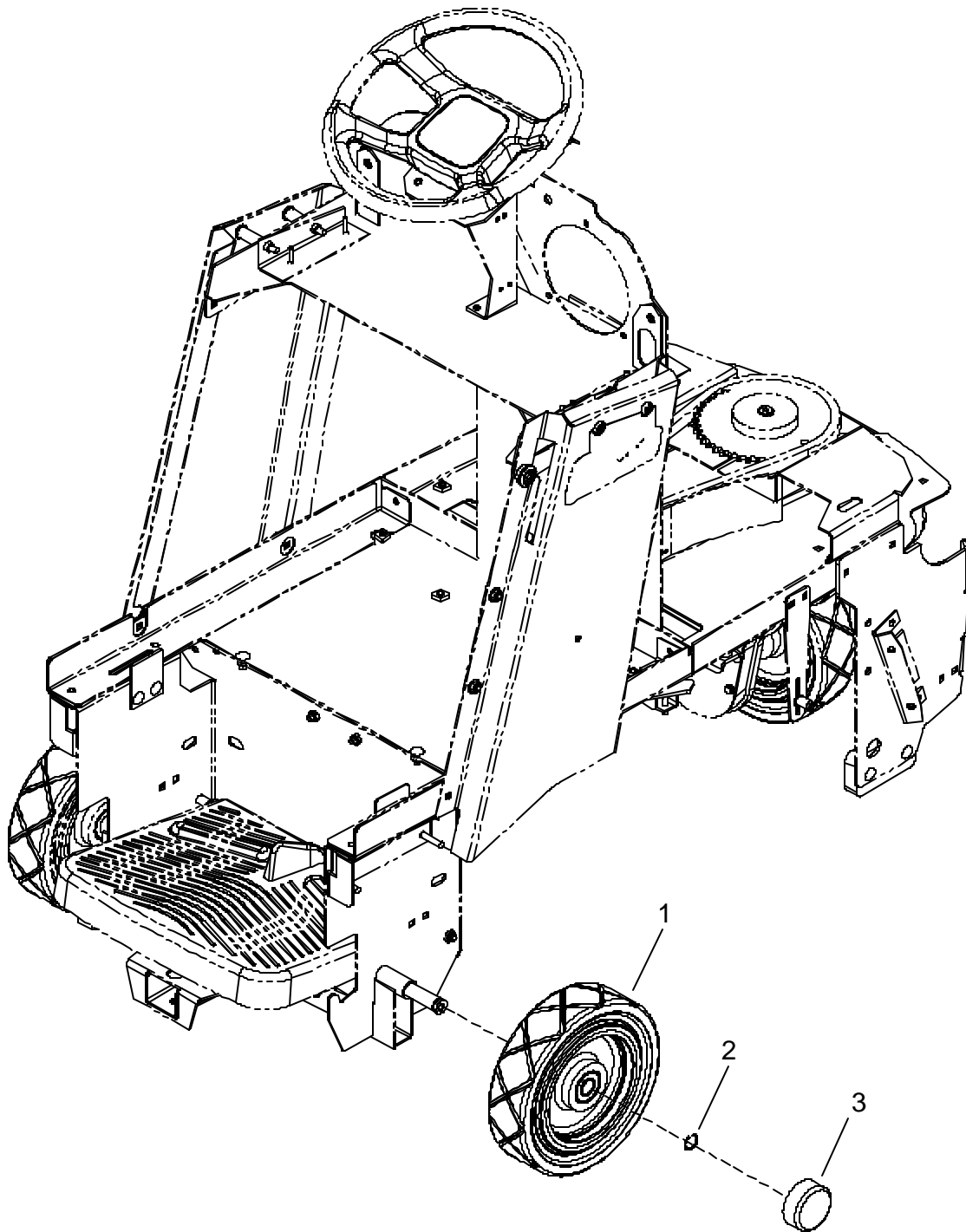
# WHEEL-FRONT BRAKE



## WHEEL-FRONT BRAKE

REF	PART NO.	QTY	DESCRIPTION	SERIAL NO. FROM	NOTES:
1	87163	4	WASHER,3/8 SPLIT LOCK PLTD		
2	70377	4	SCR, 3/8-16 X 1.25 HHCS SS		
3	66031	1	PIN, ROLL 1/8" X 3/4"L		
4	57245	2	NUT, 1/4-20 HEX NYLOCK SS		
5	70828	1	SCR, M10 X 30 HHCS		
6	81270	1	CLAMP, 3/4 DIA CUSHION .406DIA		
7	57105	4	NUT, 1/4-20 HEX W/STAR WASHER		
8	70019	2	SCR, 1/4-20 X 1.25 HHCS		
9	80889	2	BOOT, RUBBER TERM. ISOLATOR		
10	76155	2	TERMINAL MOUNT		
11	70390	2	SCR, 1/4-20 X 1 FHCS PLTD		
12	87013	2	WASHER, 1/4 ID X 5/8 OD SS		
13	00-000289	4	SCR, 8-32 X 3/8 SHCS SS		
14	730341	1	SPACER, 36 VOLT BRAKE		
15	140816	1	BRAKE, 36VDC W/CONNECTOR		
16	27196	2	CABLE TIE, .375 X 24.7		

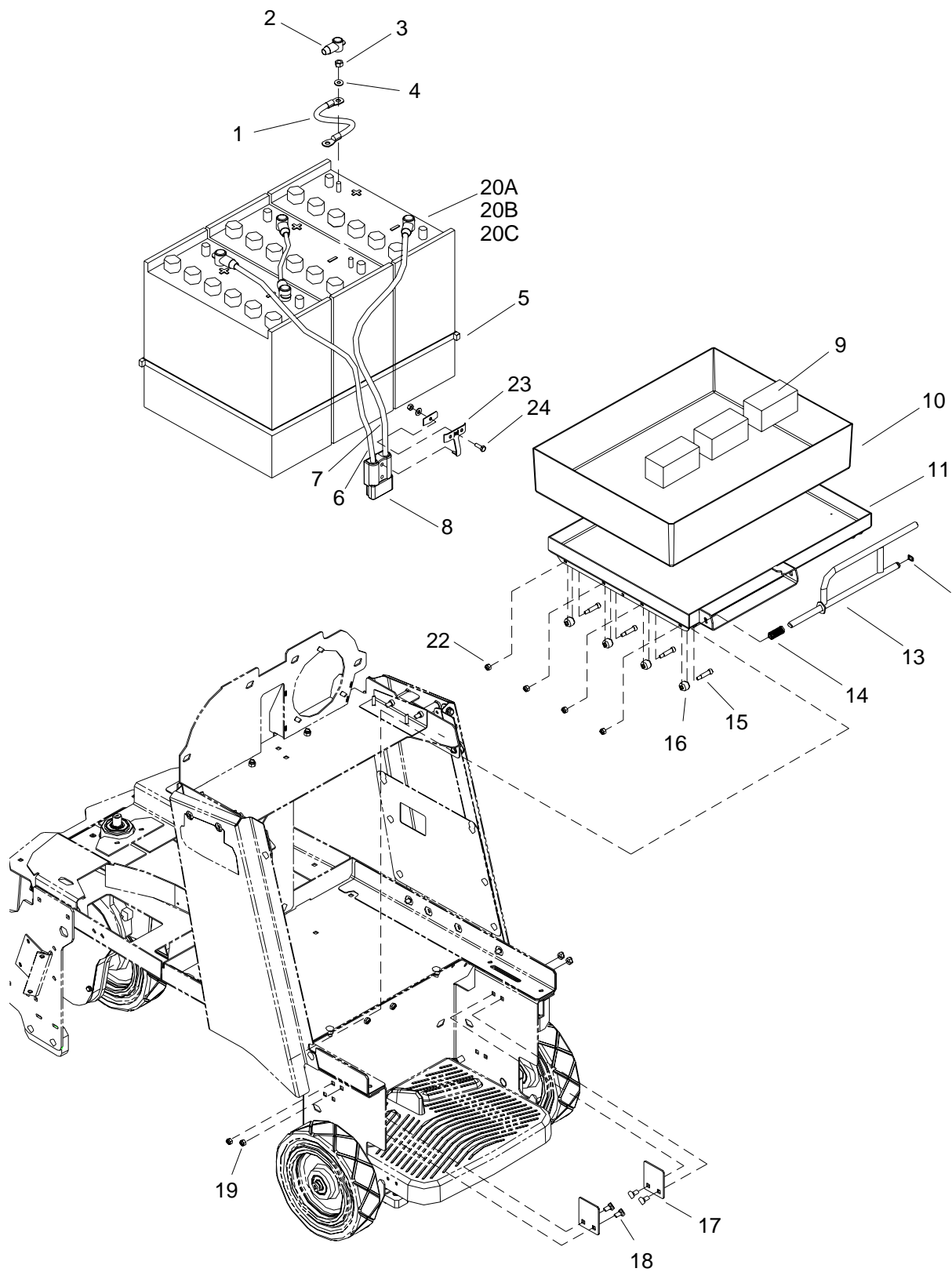
# WHEEL-REAR



**WHEEL-REAR**

REF	PART NO.	QTY	DESCRIPTION	SERIAL NO. FROM	NOTES:
1	89261	2	WHEEL, 10X2.5X.787ID BEARINGS		
2	80623	2	RING, 3/4" EXT SNAP H-D		
3	17309	2	CAP, 2.75 ID X 1.0 L BLK VINYL		

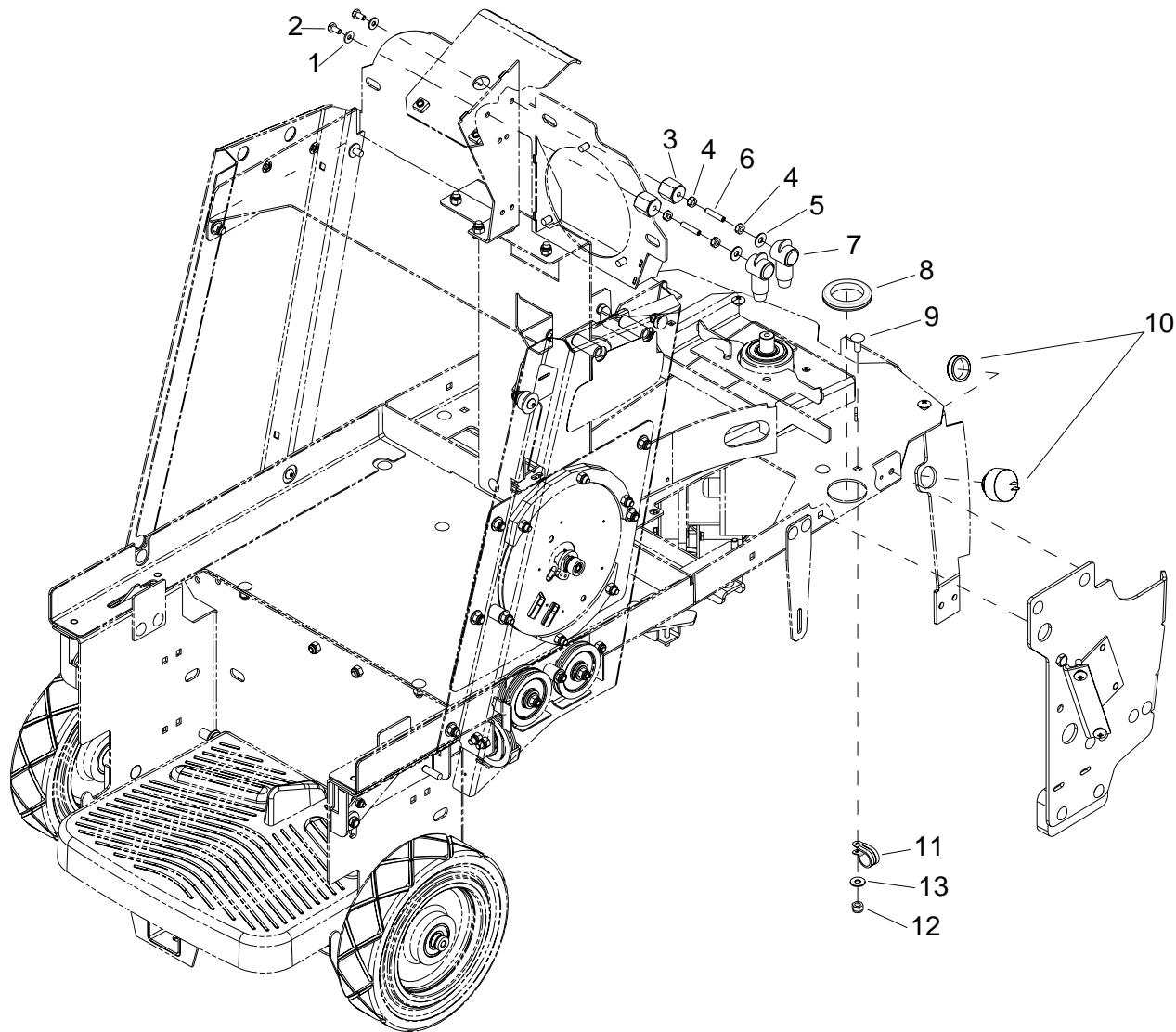
# WIRING-BATTERIES



## WIRING-BATTERIES

REF	PART NO.	QTY	DESCRIPTION	SERIAL NO. FROM	NOTES:
1A	80872	2	WIRE, 4X14.5BK 5/16RINGX5/16RING		
1B	23125	2	WIRE, 4X15 BCLAMPXBCLAMP		
2	80889	6	BOOT, RUBBER TERM. ISOLATOR		
3	57295	6	NUT, 5/16-18 FLEXLOCK		
4	87029	6	WASHER, 5/16 FLAT SS		
5	27915	2	CABLE TIE, .375 X 43"		
6A	880836	1	WIRE, 4X25RD CTERM X 3/8RING	1000160355	
6B	23190	1	WIRE, 4X27 RD BCLAMP X CTERM		
7A	80876	1	WIRE, 4X30 BK CTERM X 3/8RING		
7B	23191	1	WIRE, 4X27 BK BCLAMP X CTERM		
8	80682	1	CONN, 175 DCA GRY W/O TERMS		
9	08071	3	BLOCK, 3.0 X 1.5 X 1.5		
10	78242	1	TRAY, BATTERY LINER		
11	78568	1	TRAY, BATTERY		
12	67132	1	RING, 1/2 EXT. SNAP H-D		
13	51396	1	LATCH ROD, BATTERY TRAY		
14	730313	1	SPRING, COMP, 63ODX3.5LX.074W		
15	70117	8	SHOULDER BOLT, 5/16 OD X 1.0 L		
16	89265	8	WHEEL, BATTERY TRAY		
17	78571	2	TRAY, STANDARD STOP		
18	70593	4	SCR, 5/16-18 X 3/4 CARRIAGE SS		
19	57023	4	NUT, 5/16-18 HEX NYLOCK SS		
20A	10023	3	BATTERY, 12V, 195AH		
20B	10030	3	BATTERY, 12V, 215AH		
20C	10032	3	BATTERY, 12V, 234AH AGM		
21A	02456	1	CHARGER, 36V, 20A, 115V, C175		NOT SHOWN – FOR WET CELL BATTERIES
21B	02264	1	CHARGER, 36VDC/20A		NOT SHOWN – FOR AGM BATTERIES
22	57245	8	NUT, 1/4-20 HEX NYLOCK SS		
23	28038	1	CLAMP, CABLE KIT SY945	1000154660	
24	70170	1	SCREW, 10-24 X 3/4 PPHMS		

# WIRING-COMPONENTS

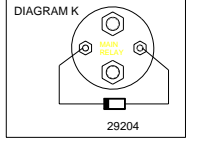
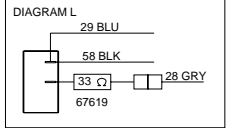
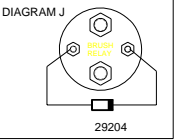
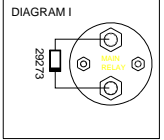
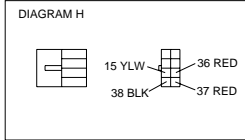
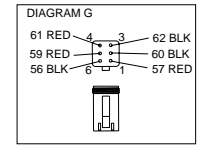
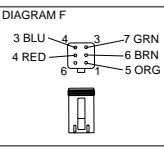
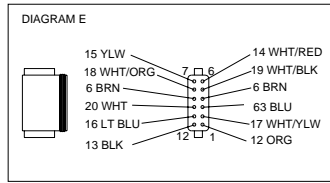
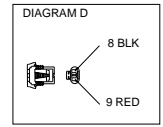
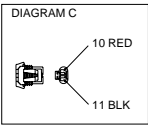
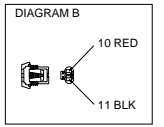
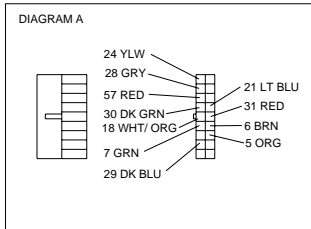
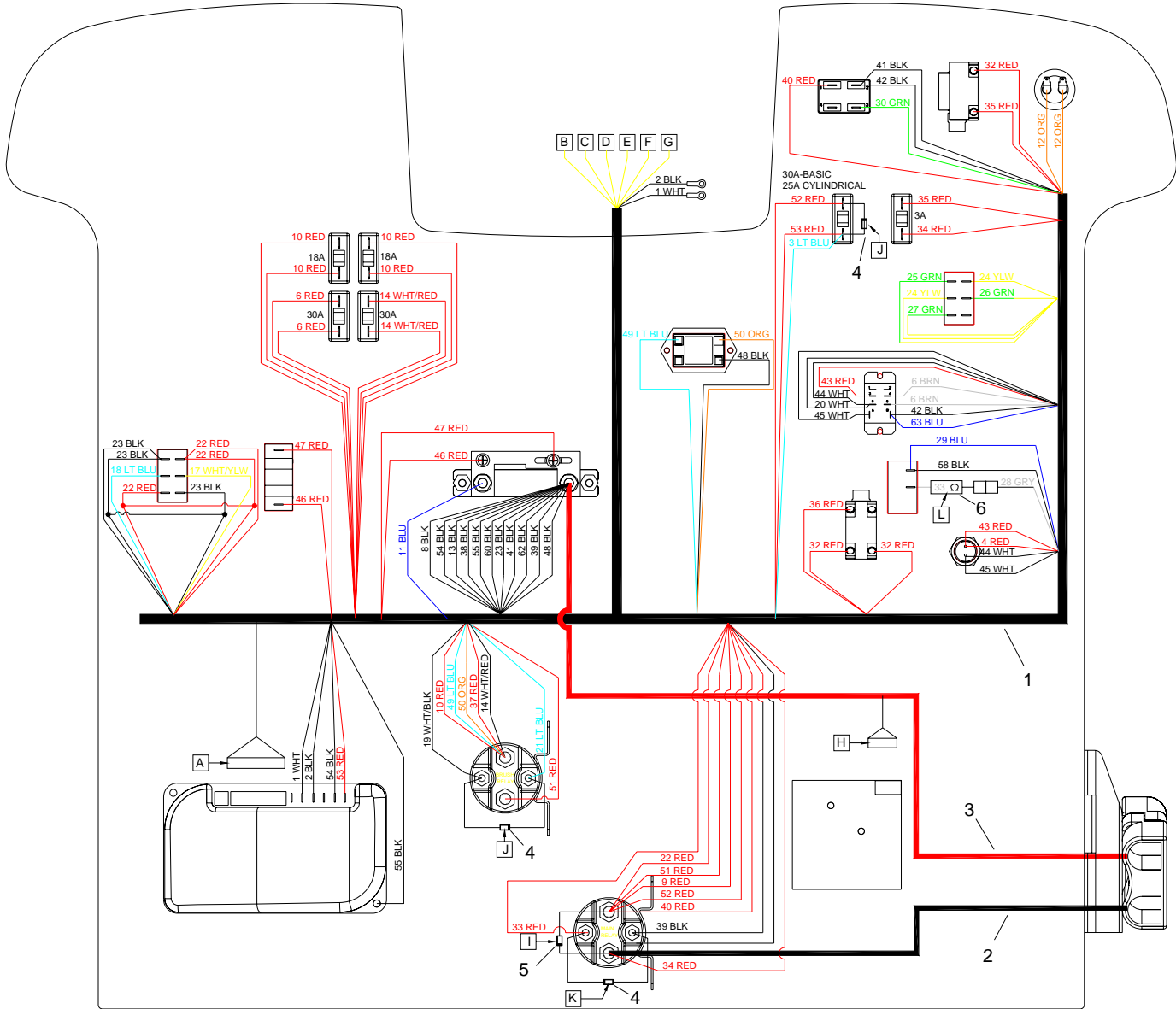




## WIRING-COMPONENTS

REF	PART NO.	QTY	DESCRIPTION	SERIAL NO. FROM	NOTES:
1	87162	2	WASHER, 1/4 SPLIT LOCK PLTD		
2	70020	2	SCR, 1/4-20 X 1/2 HHCS SS NP		
3	73659	2	STANDOFF, 1/4-20 X 1.0 HEX INS		
4	57105	4	NUT, 1/4-20 HEX W/STAR WASHER		
5	87013	2	WASHER, 1/4 ID X 5/8 OD SS		
6	70393	2	SET SCR, 1/4-20 1.25L		
7	80889	2	BOOT, RUBBER TERM. ISOLATOR		
8	81427	2	GROMMET, 1.703IDX2.5ODX.125GRV		
9	70593	1	SCR, 5/16-18 X 3/4 CARRIAGE		
10	41520	1	HORN, 108DB MINIATURE PIEZO		
11	81270	1	CLAMP, 3/4 DIA CUSHION .406DIA		
12	57023	1	NUT, 5/16-18 HEX NYLOCK SS		
13	87029	1	WASHER, 5/16 FLAT SS		

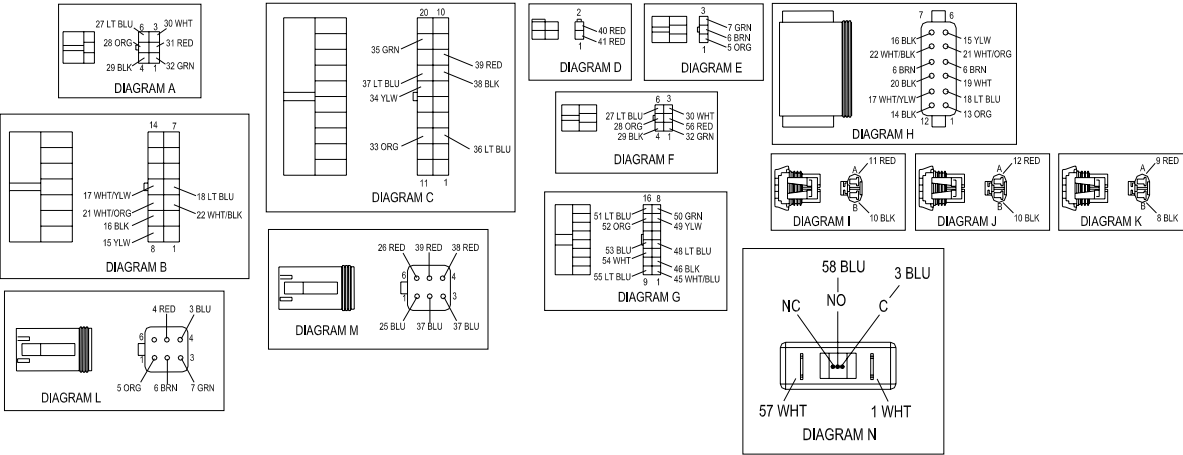
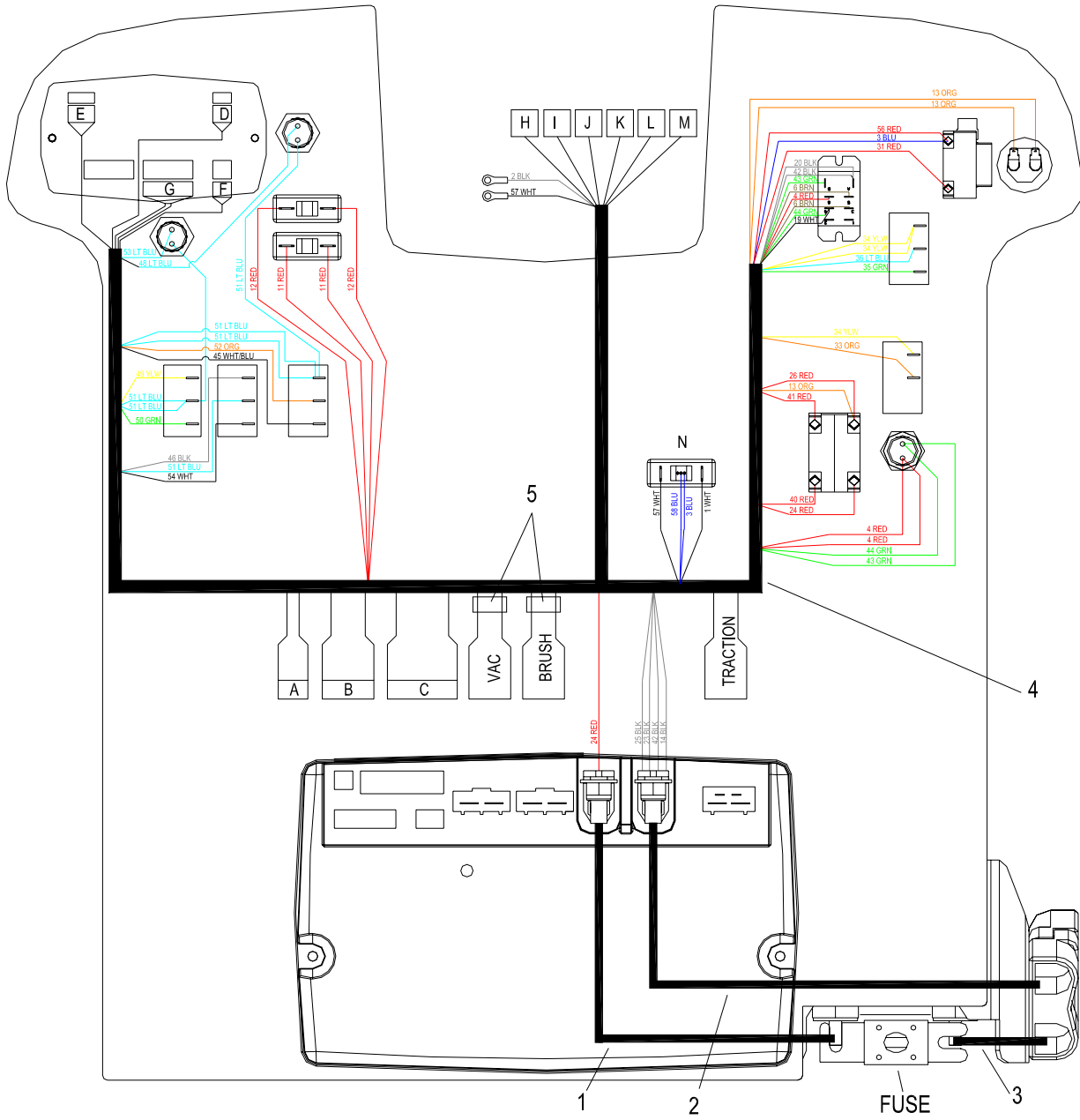
# WIRING-CONTROL PANEL-BASIC-CYLINDRICAL



## **WIRING-CONTROL PANEL- BASIC - CYLINDRICAL**

REF	PART NO.	QTY	DESCRIPTION	SERIAL NO. FROM	NOTES:
1	41524	1	HARNESS, CONTROL PANEL BASIC		
2	880426	1	WIRE, 4X13 RD C.TERM X 5/16RING		
3	880353	1	WIRE, 4X20 BL CTERM X5/16RING		
4	29204	3	DIODE ASM, 76008, 79008		
5	29273	1	DIODE ASM, FAST RECOVERY	1000150256	
6	67619	1	RESISTOR ASM, 1/2 WATT 33 OHM	*	

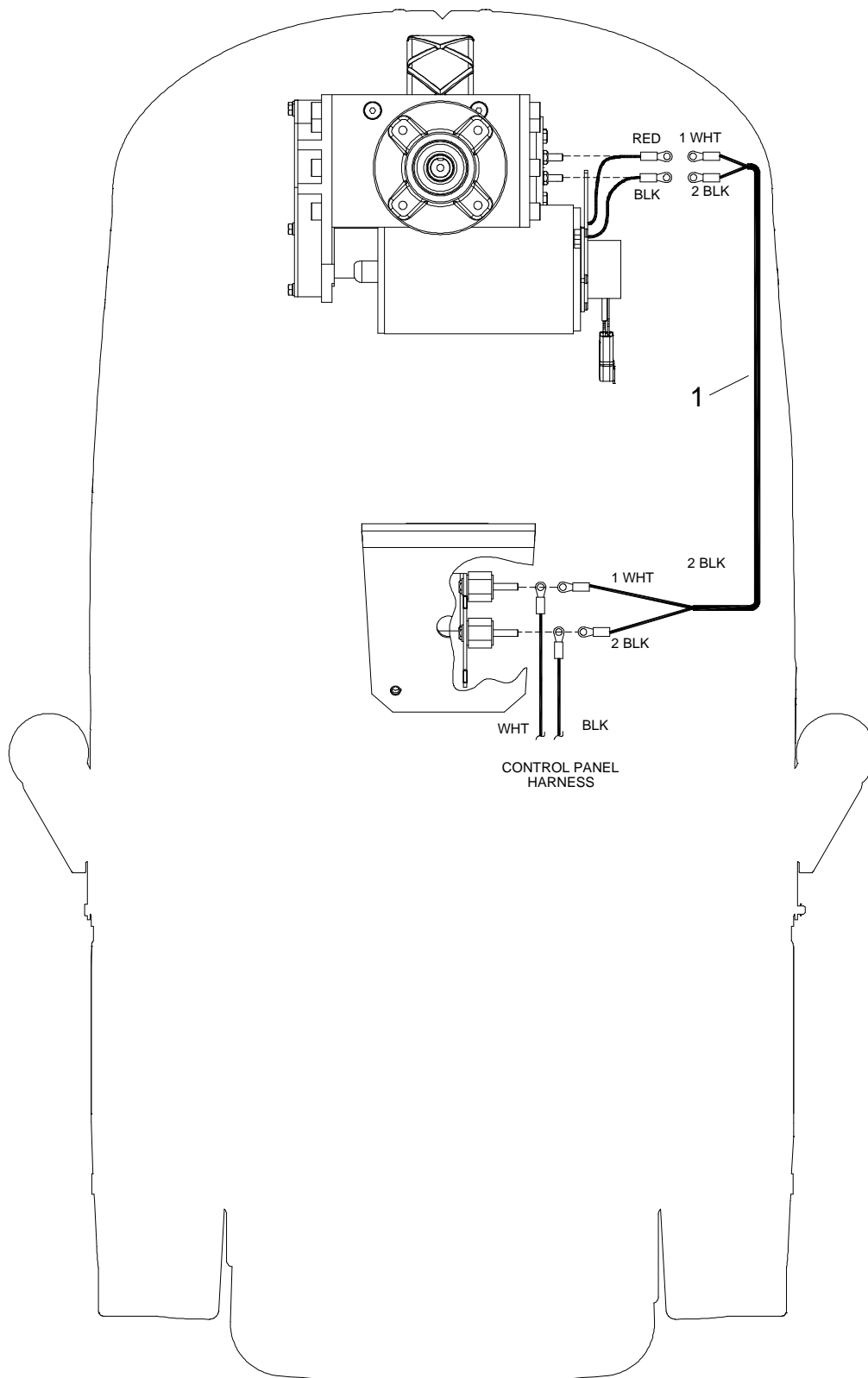
# WIRING-CONTROL PANEL-DELUXE



## WIRING-CONTROL PANEL-DELUXE

REF	PART NO.	QTY	DESCRIPTION	SERIAL NO. FROM	NOTES:
1	880428	1	WIRE, 4X10RD 5/16RING X 5/16RING		
2	880427	1	WIRE, 4X15BK C. TERM X 5/16 RING		
3	880429	1	WIRE, 4X8RD C. TERM X 5/16RING		
4	41525	1	HARNESS, CONTROL PANEL DELUXE		
5	34164	2	FERRITE CLAMP, 1.14 X 1.28 X .583		CSXE24 ONLY

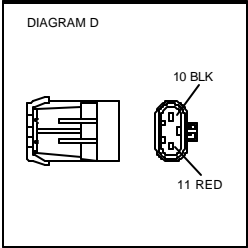
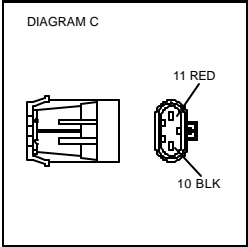
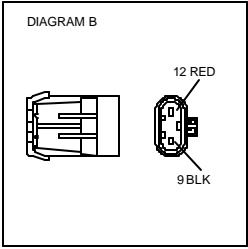
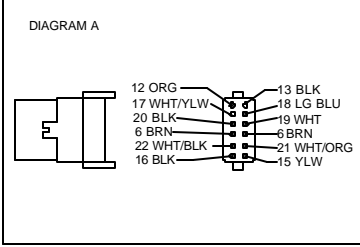
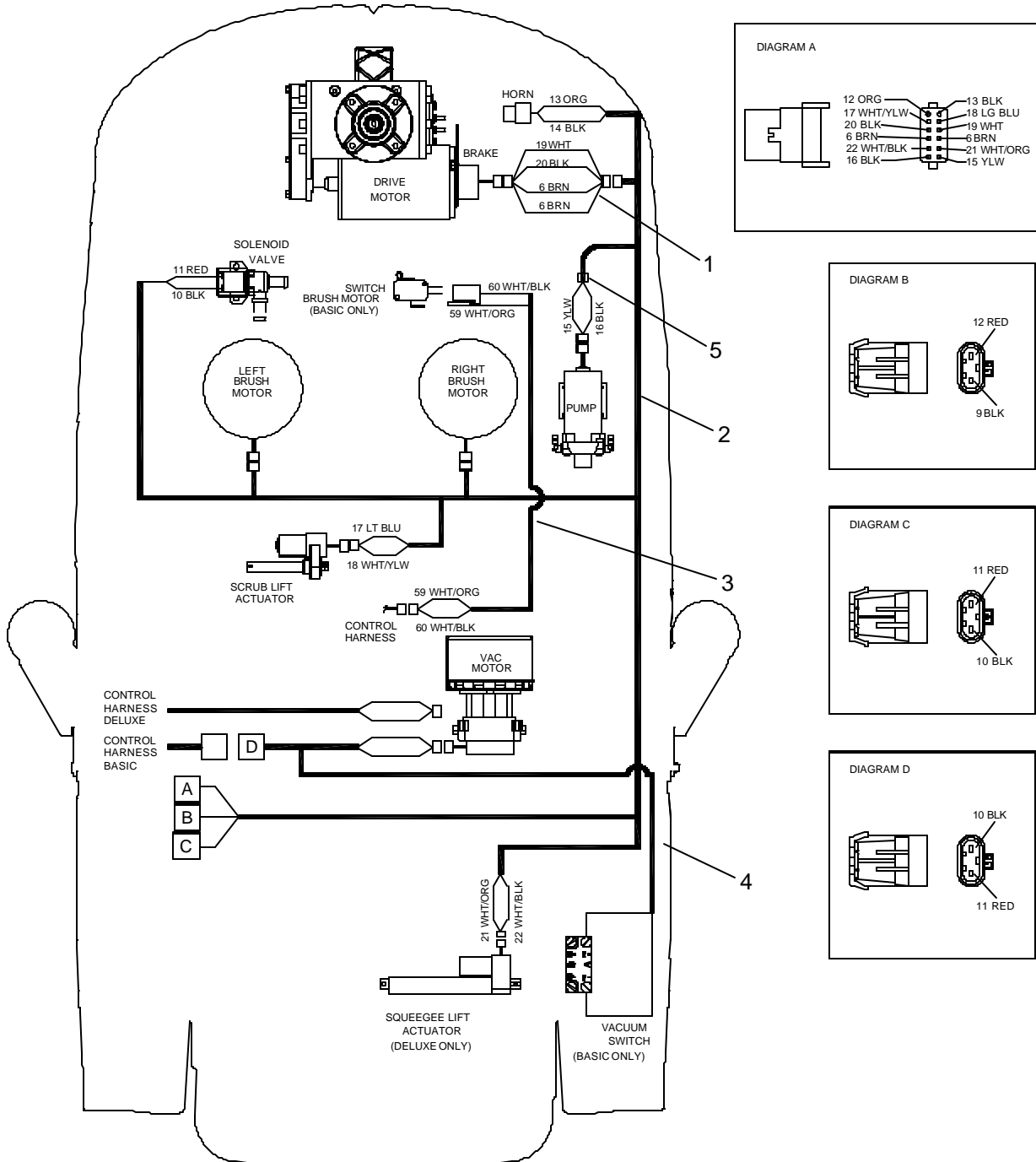
# WIRING- DRIVE MOTOR



# WIRING-DRIVE MOTOR

REF	PART NO.	QTY	DESCRIPTION	SERIAL NO. FROM	NOTES:
1	41522	1	HARNESS, CHARIOT PROPEL		

# WIRING-MAIN HARNESS

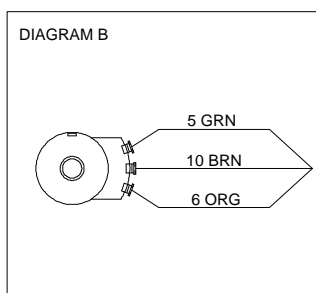
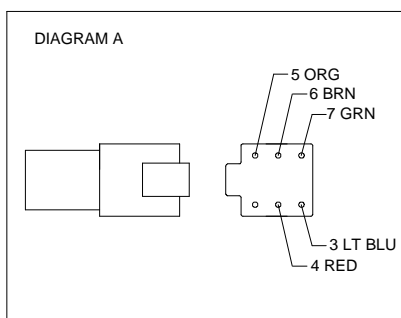
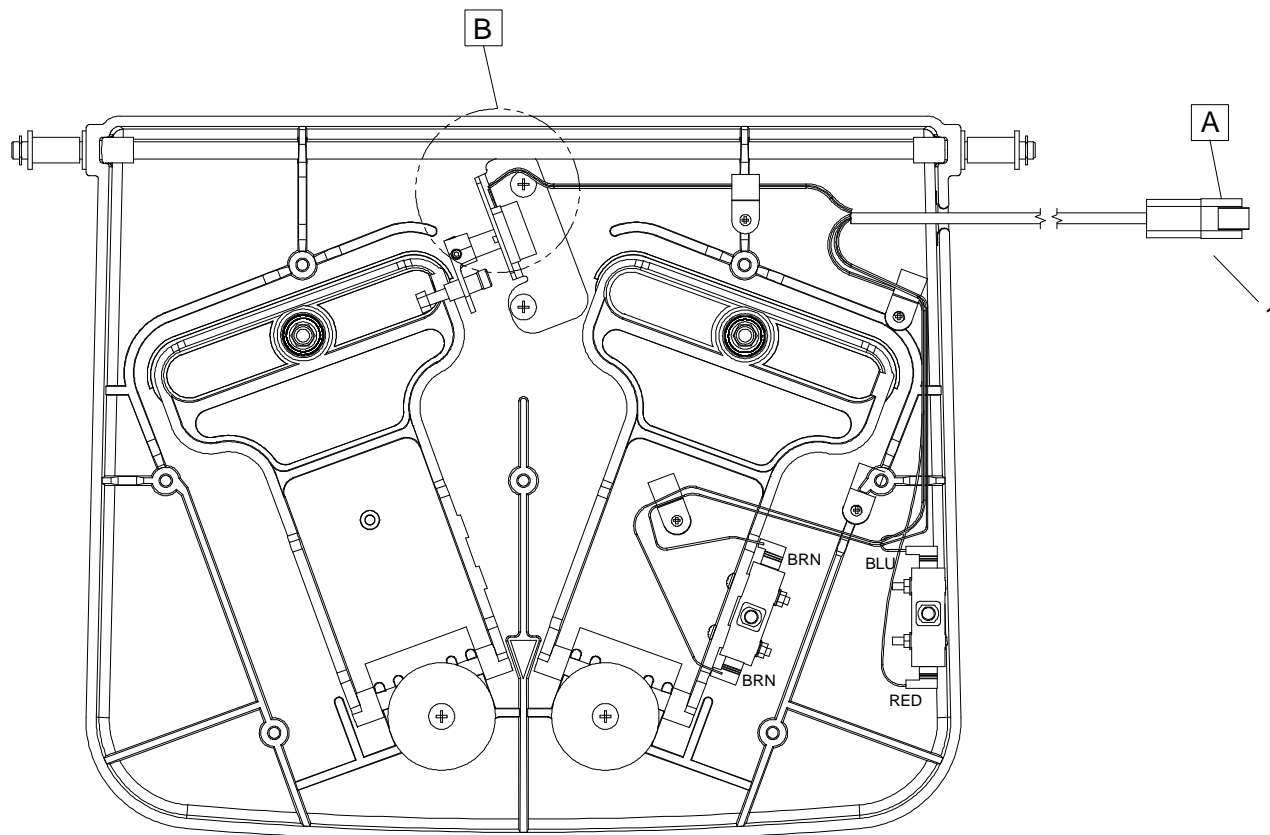




## WIRING-MAIN HARNESS

REF	PART NO.	QTY	DESCRIPTION	SERIAL NO. FROM	NOTES:
1	41528	1	HARNESS, BRAKE		
2	41523	1	HARNESS, MAIN		
3	41527	1	HARNESS, DECK SWITCH		BASIC ONLY
4	41521	1	HARNESS, VAC BASIC		BASIC ONLY
5	34376	1	FERRITE, .72 X .70 X 1.28		CSE24 ONLY

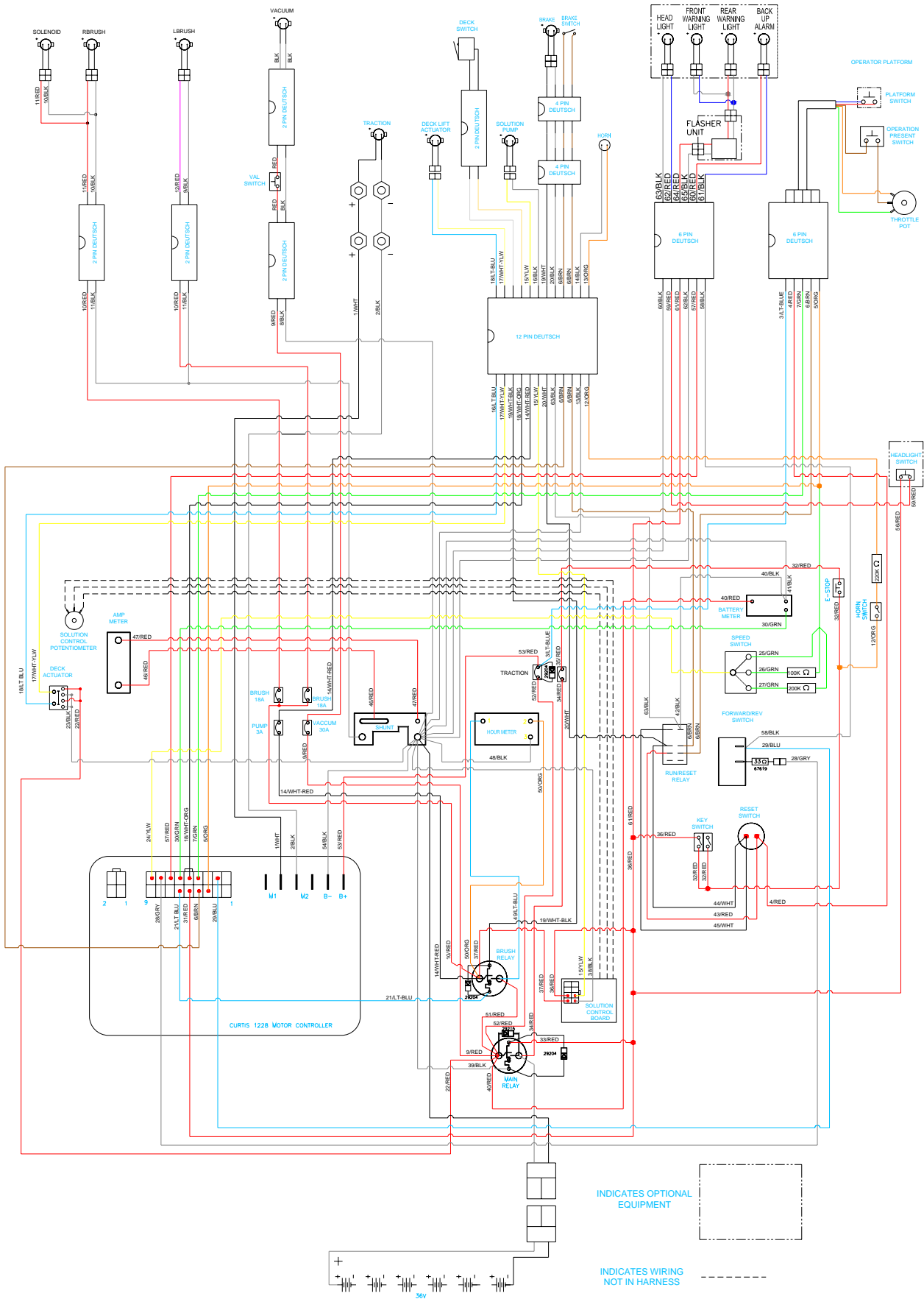
# WIRING-PEDAL PLATFORM



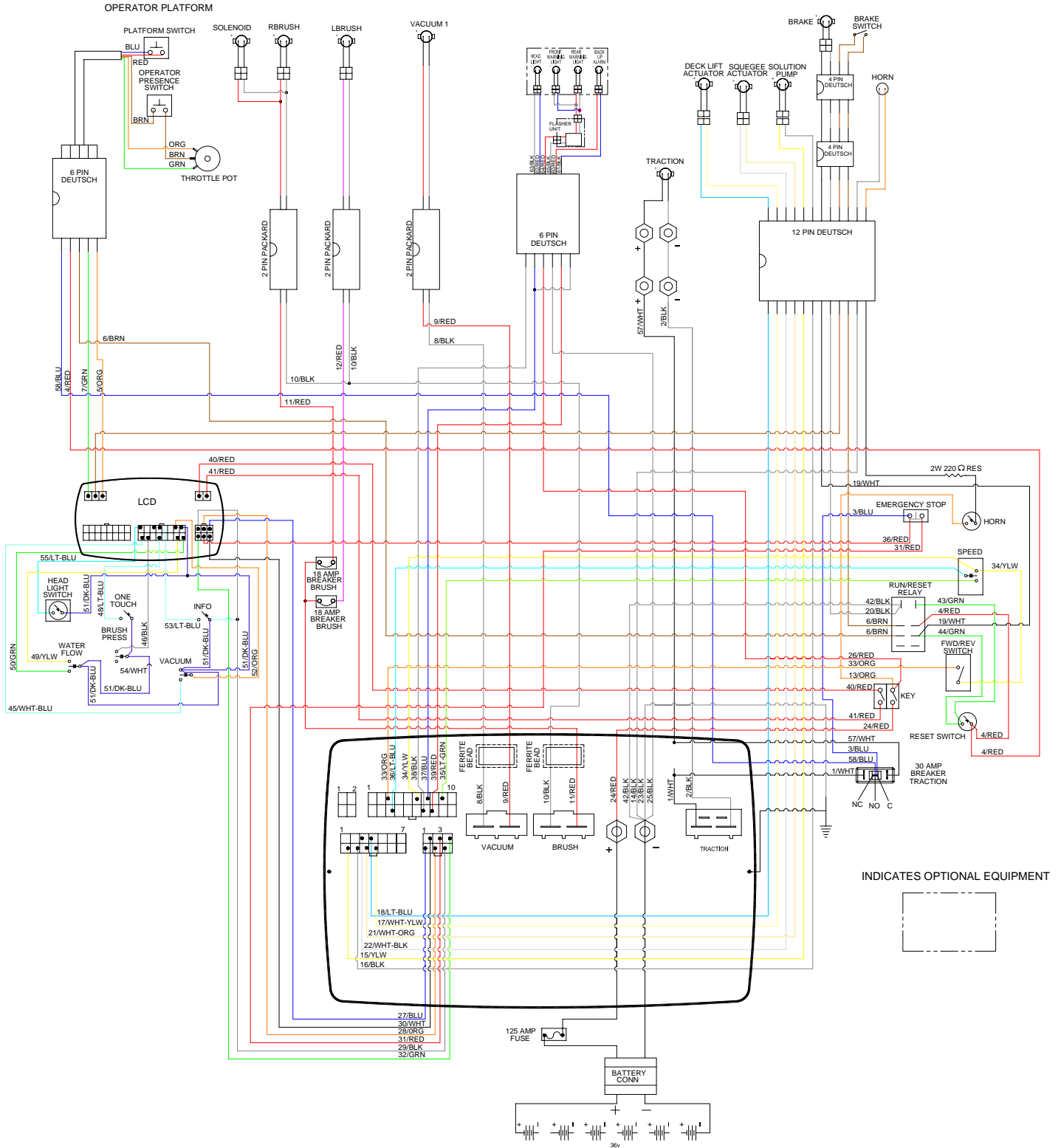
## WIRING-PEDAL PLATFORM

REF	PART NO.	QTY	DESCRIPTION	SERIAL NO. FROM	NOTES:
1	23717	1	HARNESS, TWISTER PEDAL		

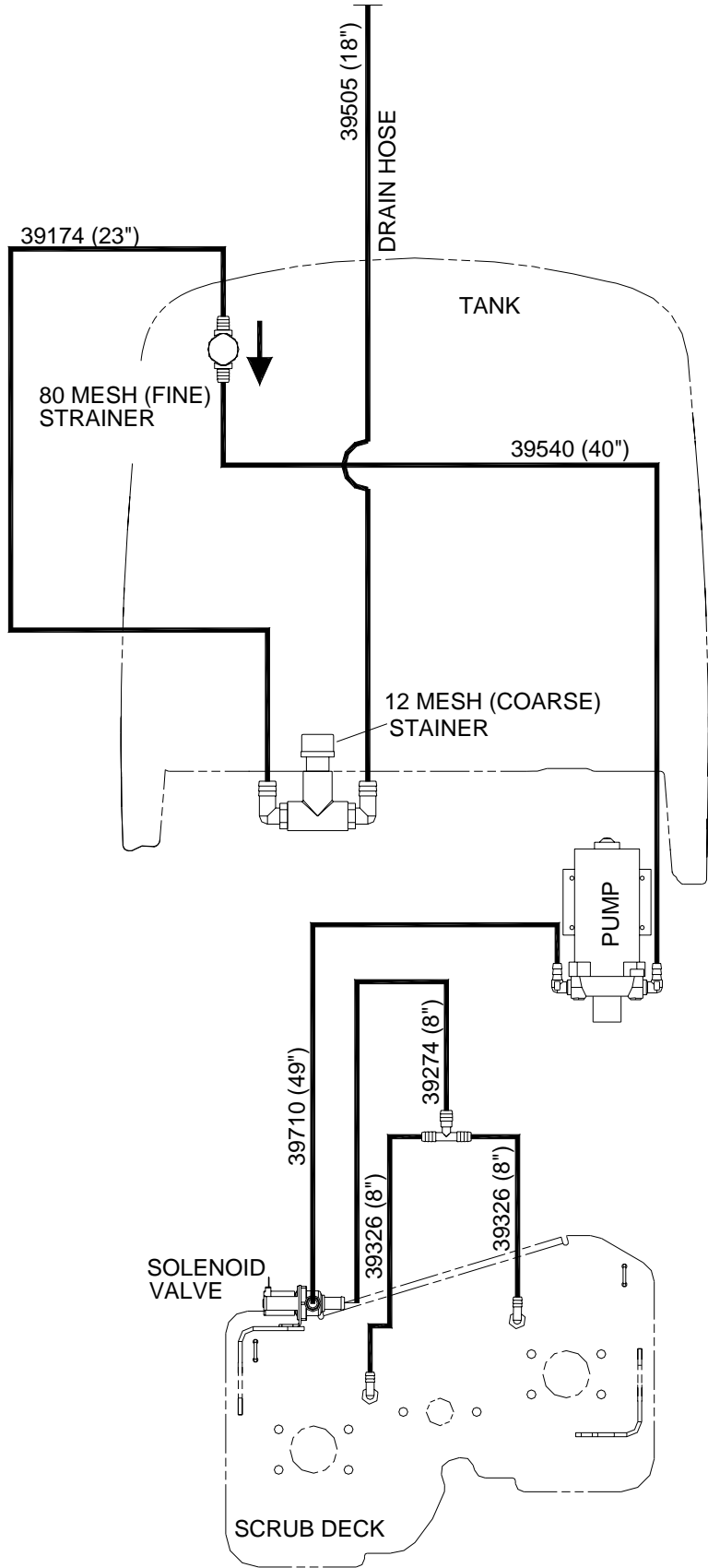
# WIRING DIAGRAM-BASIC-CYLINDRICAL



# WIRING DIAGRAM-DELUXE



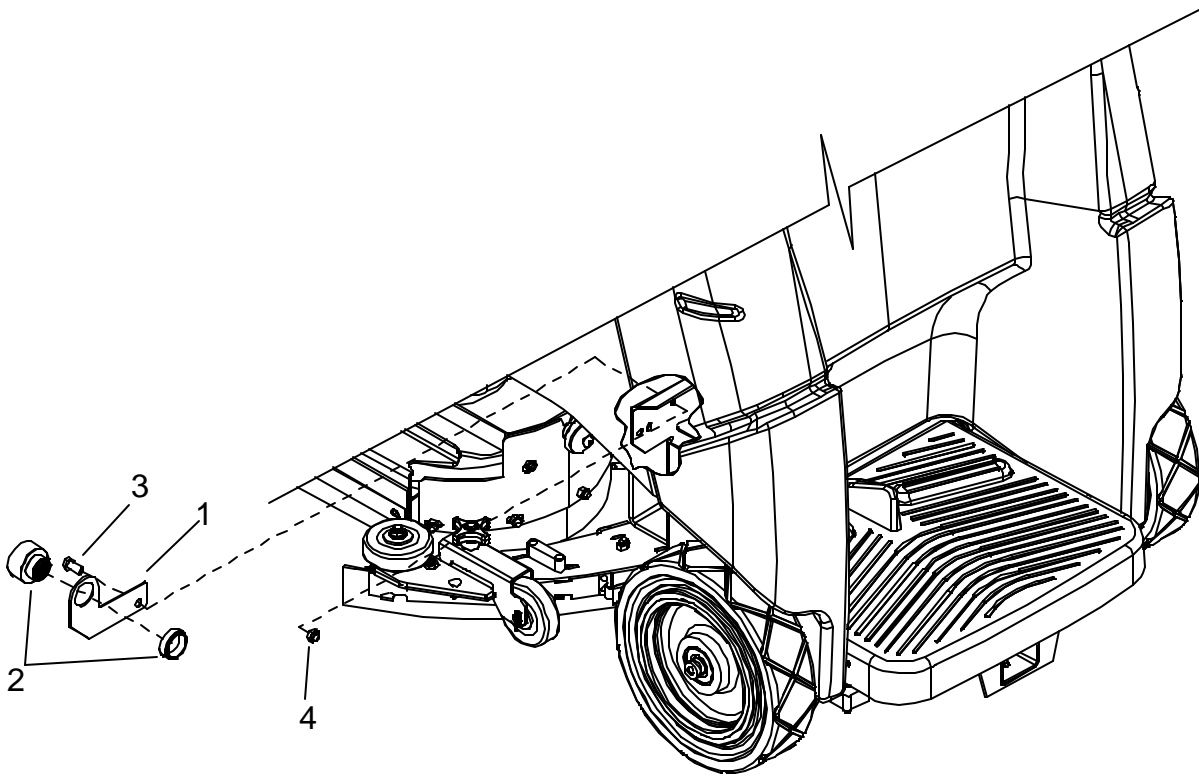
# HOSE DIAGRAM



## SUGGESTED SPARE PARTS

PART NO.	DESCRIPTION	SERIAL NO. FROM	NOTES:
14606	BREAKER, 30A 50VDC CIRCUIT		BASIC ONLY
14607	BREAKER, 25BA 50VDC CIRCUIT		BASIC ONLY
14717	BREAKER, 3 AMP		BASIC ONLY
14942	BOOT, 3/8 CIRCUIT BREAKER		
17309	CAP, BLACK VINYL		
34380	FLOAT, SHUT OFF		
35274	GASKET, DOME EDGE		
40087	HOSE ASM., 1.5" BLK X 67		
48073	KEY, SWITCH		
48095	KNOB, ALUM 3/8-16 NYLOCK NUT SS		
66347	RECOVERY DRAIN PLUG		
67506	RELAY, 15A 36V MINI		
72130	SWITCH, SPST 2-POSITION ROCKER		
72159	SWITCH, 2 POSITION KEY		BASIC ONLY
72161	SWITCH, DPST KEY		DELUXE ONLY
72190	SWITCH, SEALED PB ROUND		
80687	FUSE, 125 AMP		
81535	KNOB, 3/8-16 4 PRONG ALUM		
82267	PLUG, 5/8" DRAIN		
140534	BREAKER, 20AMP THERMAL CIRCUIT		DELUXE ONLY
140712	BAG, INNER TANK		
140752	BLADE, AQUAMIZER, 12IN LEFT		
140753	BLADE, AQUAMIZER, 12IN RIGHT		
140754	BLADE, SKIRT, SCRUB DECK, 24 IN LEFT		
140755	BLADE, SKIRT, SCRUB DECK, 24 IN RIGHT		
140763	BLADE, SQG REAR 33IN		
140764	BLADE, SQG FRONT 33IN		
140780	BLADE, SKIRT, SCRUB DECK, FRONT		
140804	BREAKER, 18A 250VAC, 50VDC		
140816	BRAKE, 36 VDC W/CONNECTOR		
270085	CHAIN, ISO 08B 12.7 MM PITCH		
270097	CABLE, SQUEEGEE LIFT STANDARD		
270098	CABLE, SQUEEGEE LIFT DELUXE		
730327	80 MESH, STRAINER		

# BACK-UP ALARM - OPTION

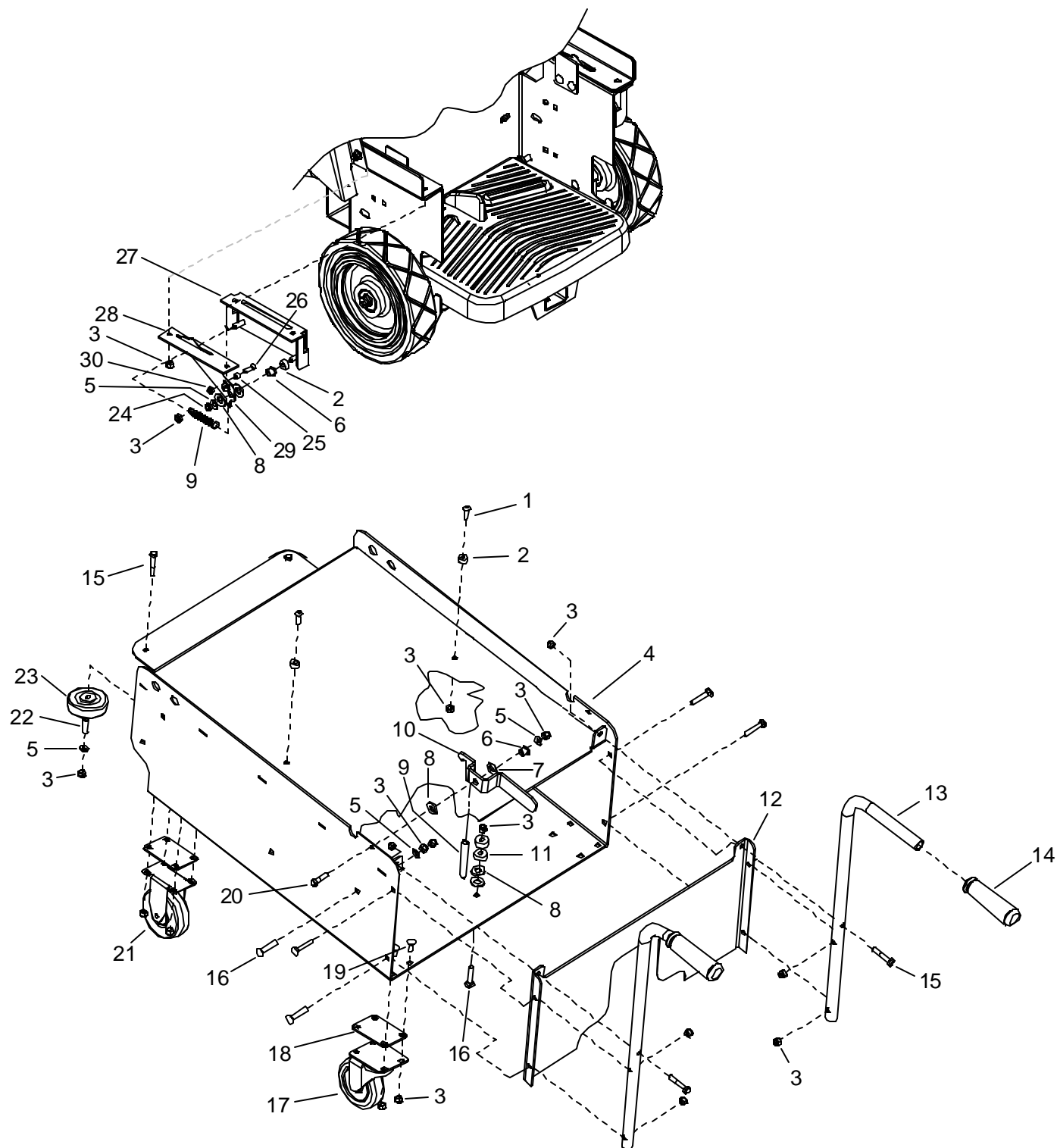




## BACK-UP ALARM - OPTION

REF	PART NO.	QTY	DESCRIPTION	SERIAL NO. FROM	NOTES:
1	140817	1	BRKT, BACK UP ALARM		
2	80882	1	BUZZER, PIEZO 6-28VCD		
3	70728	1	SCR, 5/16-18 X 3/4 HHCS SS		
4	57285	1	NUT, 5/16-18 HEX NYLOCK THN SS		

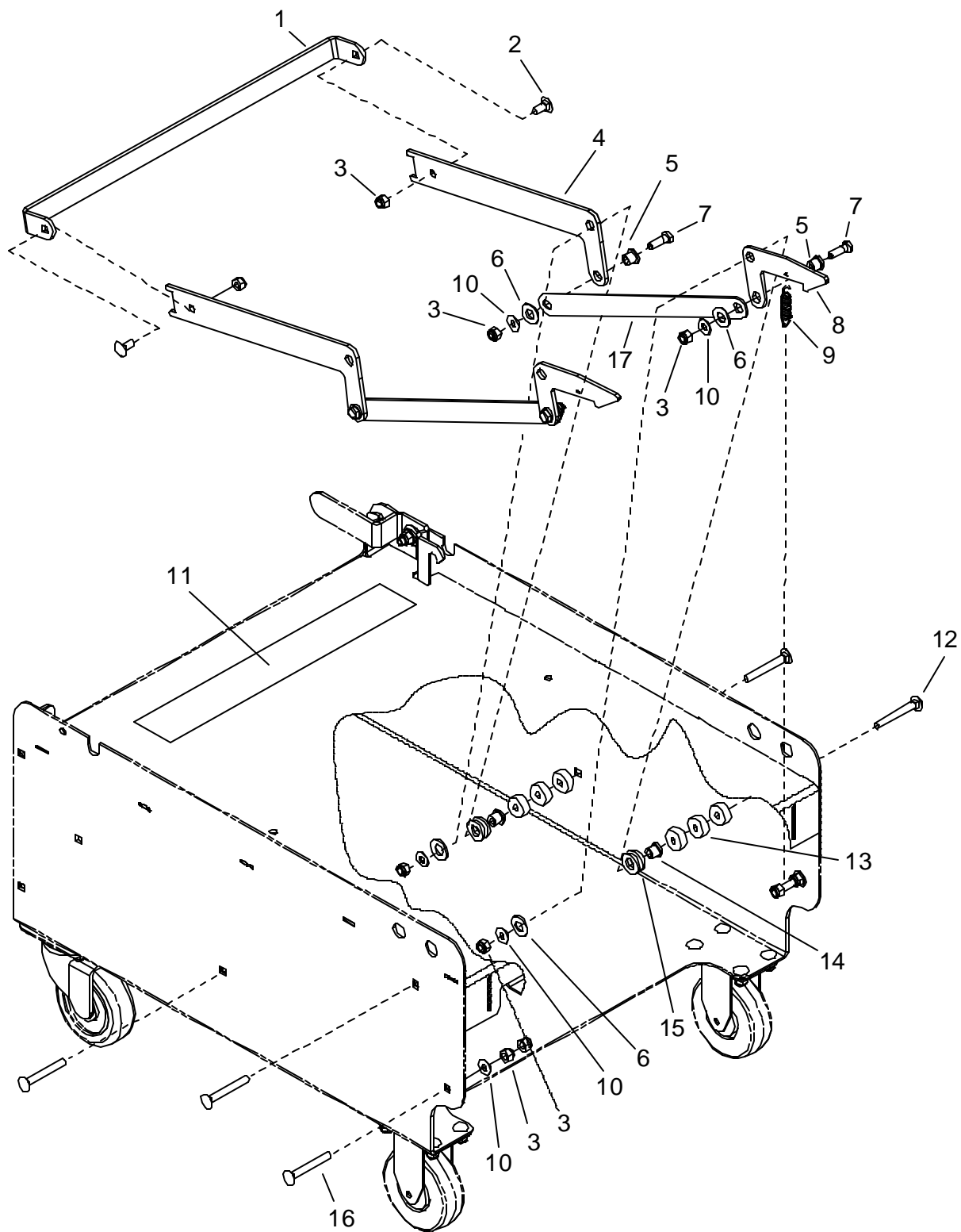
# BATTERY CART - OPTION



## BATTERY CART - OPTION

REF	PART NO.	QTY	DESCRIPTION	SERIAL NO. FROM	NOTES:
1	70514	2	SCR, 5/16-18 X 1.00 BSHCS SS		
2	730338	4	SPACER, 10D X .343ID, .5 LG		
3	57023	33	NUT, 5/16-18 HEX NYLOCK SS		
4	41517	1	HOUSING, BATTERY CART		
5	87029	7	WASHER, 5/16 FLAT SS		
6	09124	3	BEARING, FLANGED .314D X .502OD		
7	87206	1	WASHER, THRUST, .51 ID X 1 OD X .063		
8	87205	6	WASHER, THRUST .51 ID X 1 OD		
9	730018	3	SPRING, EXT, .50D X 4.0L		
10	140019	1	BRKT, TRAY CATCH		
11	730331	2	SPACER, 1.00 OD X .32 ID X .375		
12	66442	1	PLATE, BATTERY CART BACK		
13	38318	2	HANDLE, BATTERY CART		
14	36196	2	GRIP, POLISHER HANDEL		
15	70732	4	SCR, 5/16-18 X 1.75 HHCS SS		
16	70715	8	SCR, 5/16-18 X 1.75 CARR SS		
17	040-03	2	CASTER SWIVEL 4" 250# CPCTY		
18	620020	4	PLATE, CASTER SPACER		
19	70593	16	SCR, 5/16-18 X 3/4 CARRIAGE SS		
20	70763	1	SCR, M6-1 X 40MM PLTD		
21	18032	2	CASTER, 4" HARD RUBBER RIGID		
22	140390	2	BUSHING, SPANNER .435 X 1.10		
23	89202	2	WHEEL, 3" DIA CUSHION RUBBER		
24	57285	2	NUT, 5/16-18 HEX NYLOCK THIN SS		
25	73958	2	SPACER, 3/8OD X .62W X .312L, AL		
26	70265	2	SCR, 1/4-20 X 3/4 SHCS PLTD		
27	140737	2	BRKT, BATTERY LOCK MOUNT		
28	730339	2	SPACER, LATCH GUIDE		
29	140738	2	BRKT, BATTERY TRAY LOCK		
30	57290	2	NUT, 1/4-20 HEX NYLOCK THIN SS		

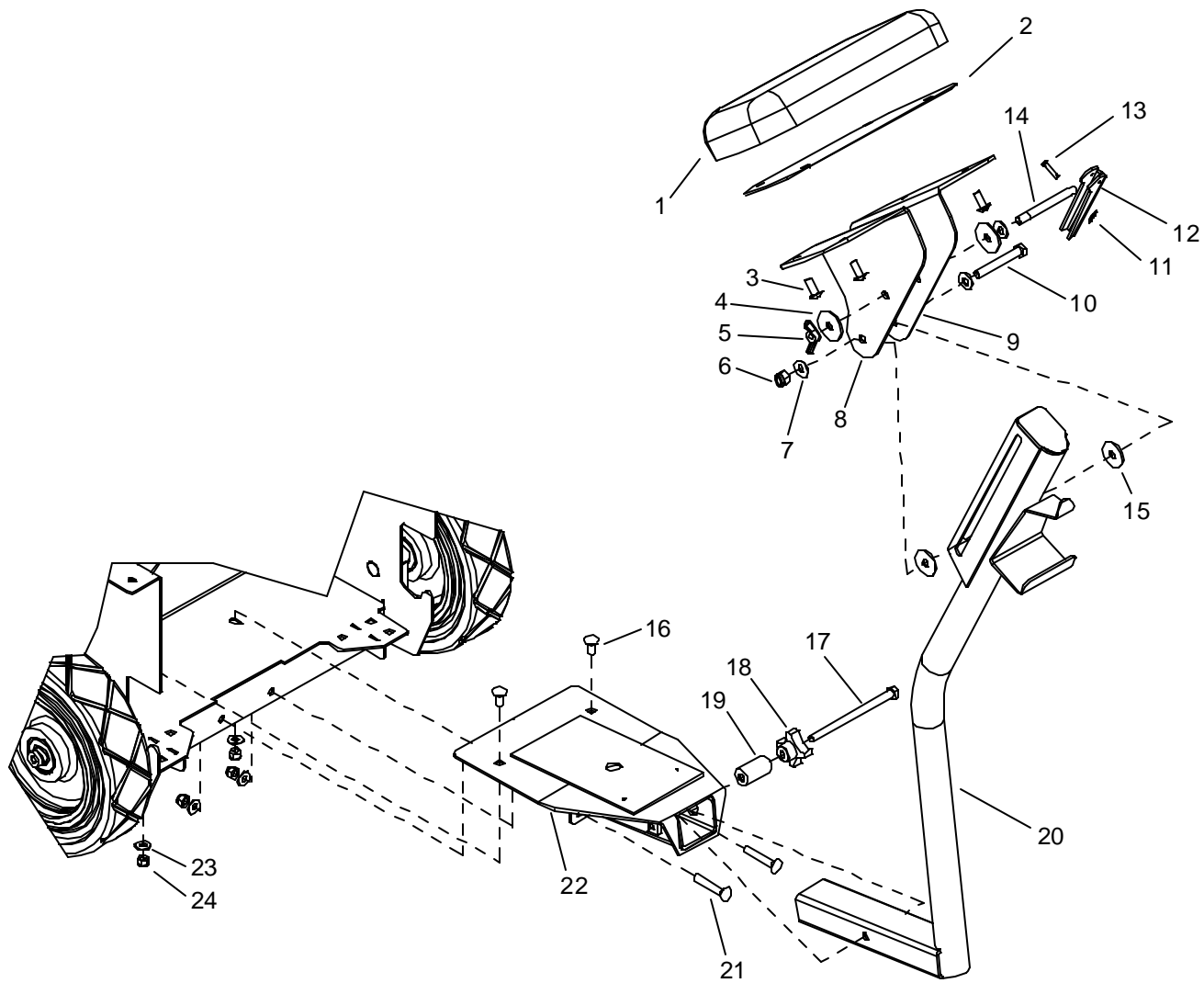
# BATTERY CART - OPTION



## BATTERY CART - OPTION

REF	PART NO.	QTY	DESCRIPTION	SERIAL NO. FROM	NOTES:
1	66478	1	PEDAL, BATTERY CART		
2	70593	2	SCR, 5/16-18 X 3/4 CARRIAGE SS		
3	57023	12	NUT, 5/16-18 HEX NYLOCK SS		
4	730307	2	STIFFENER, PEDAL, BATTERY CART		
5	09124	4	BEARING, FLANGED .314ID X .502OD		
6	87206	6	WASHER, THRUST .51 ID X 1 OD X .063		
7	70083	4	SCR, 5/16-18 X 1 HHCS SS		
8	51404	2	LATCH, BATTERY CART		
9	73268	2	SPRING, EXT .68D X 3.00L X .098W		
10	87029	10	WASHER, 5/16 FLAT SS		
11	500934	1	LABEL, BATTERY CAR OPERATION		
12	70590	4	SCR, 5/16-18 X 2.5 CARR GR5		
13	730331	12	SPACER, 1.00 ODX .32ID X .375		
14	09151	4	BUSHING FLANGE, .314 X .502 OD		
15	87205	8	WASHER, THRUST .51 ID X 1 OD		
16	70715	16	SCR, 5/16-18 X 1.75 CARR SS		
17	51403	2	LINKAGE, LATCH, BATT CART		

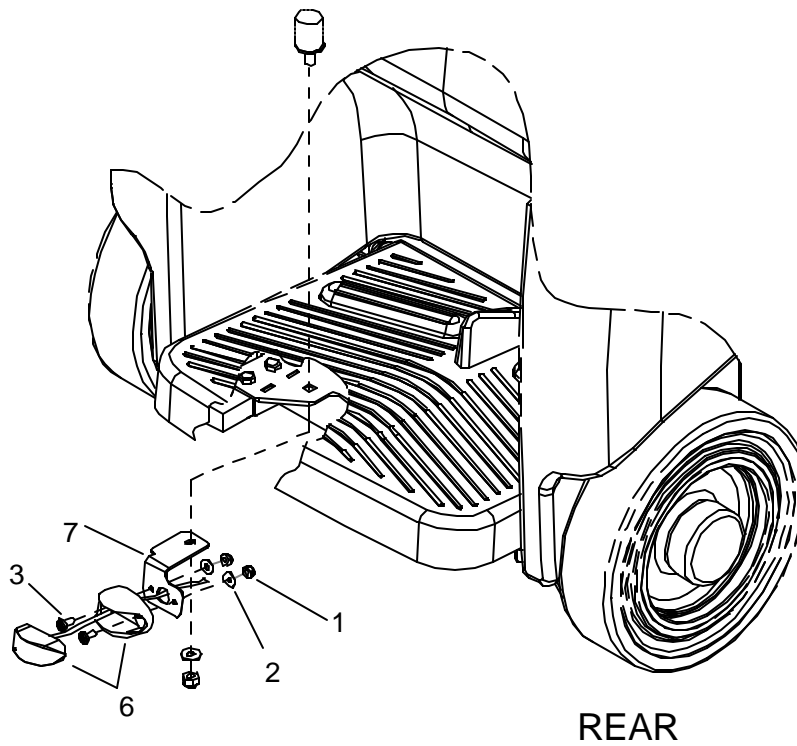
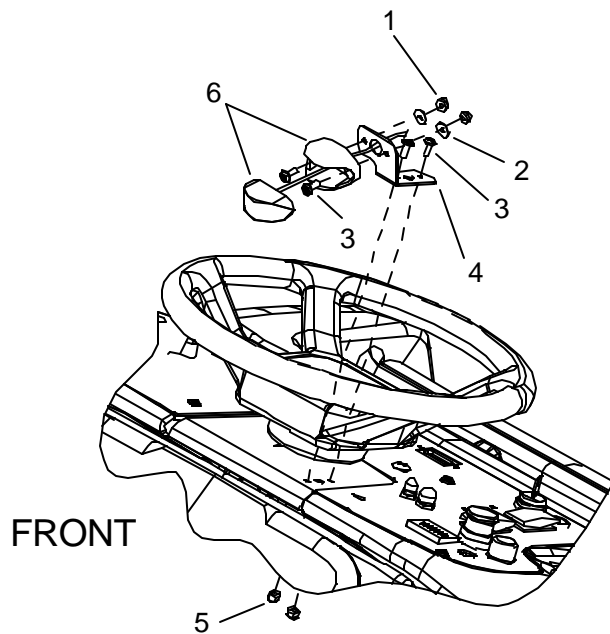
# SEAT - OPTION



**SEAT - OPTION**

REF	PART NO.	QTY	DESCRIPTION	SERIAL NO. FROM	NOTES:
1	730324	1	PAD, REAR REST		
2	629995	1	PLATE, SEAT COVER		
3	70752	4	SCR, 5/16-18 X 3/4 PTHMS SS		
4	87164	2	WASHER, 1/2 SPLIT LOCK		
5	01-000277	1	NUT, WING 3/8-16		
6	57297	1	NUT, 3/8-16 HEX NYLOCK SS		
7	87003	3	NUT, 3/8-16 HEX NYLOCK SS		
8	140742	1	BRKT, LEFT REAR SEAT		
9	140743	1	BRKT, RIGHT REAR SEAT		
10	730347	1	SCR, 3/8-16 X 2.75 HHCS SS		
11	80604	1	COTTER, 1/4" RING		
12	51142	1	LEVER, HANDLE LOCK		
13	66133	1	PIN, CLEVIS 3/16 X .88 PLTD		
14	66481	1	ROD, ARM HANDLE LOCK 4" LG		
15	87200	2	WASHER, .41D X 1.30D NYLON		
16	70593	2	SCR, 5/16-18 X 3/4 CARRIAGE SS		
17	70857	1	SCR, 3/8-16 X 5.0 HHCS SS FT		
18	81535	1	KNOB, 3/8-16 4 PRONG ALUM		
19	730350	1	SPACER, SEAT LOCK		
20	05246	1	SEAT MOUNT POST		
21	70717	2	SCR, 5/16-18 X 2.0 CARRIAGE SS		
22	05247	1	RECEIVER ASSY, SEAT MOUNT		
23	87029	4	WASHER, 5/16 FLAT SS		
24	57023	4	NUT, 5/16-18 HEX NYLOCK SS		

# WARNING LIGHTS - OPTION





## WARNING LIGHTS - OPTION

REF	PART NO.	QTY	DESCRIPTION	SERIAL NO. FROM	NOTES:
1	57090	4	NUT, 10-32 HEX NYLOCK SS		
2	87018	4	WASHER, #10 X 6/16 OD		
3	70740	4	SCR, 10-32 X 1/2 PTHMS BLK		
4	140871	1	BRKT, UPPER WARNING LIGHT		
5	57090	2	NUT, 10-32 HEX NYLOCK SS		
6	51454	2	LED AMBER LIGHT, 12V		
7	140872	1	BRKT, LOWER WARNING LIGHT		



Manufacturers of Innovative Building Maintenance Equipment

Windsor Industries, Inc.  
1351 West Stanford Avenue  
Englewood, CO 80110 USA

Phone: 303.762.1800  
FAX: 303.762.0817  
<http://www.windsorind.com>

### EC Declaration of Conformity

We herewith declare, Windsor Industries, Inc.  
1351 W. Stanford Ave.  
Englewood, CO 80110-5545 USA

that the following product complies with the appropriate essential health and safety requirements of the relevant EC Directives listed below, based on the relevant sections of the applicable EC standards and other normative documents.

**Product:** Chariot Scrubber Euro Deluxe 24

**Product Identification:** Rated 36 VDC 60 A

**Trademark:**



**Model/Type Ref.:** CSXE24

**Product Description:** This product is a battery powered, self-propelled, wet floor scrubber intended for commercial use.

**Applicable EC Directives:** EC Machinery Directive  
(89/392/EEC & 91/368/EEC & 93/44/EEC & 93/68/EEC)  
EC Low Voltage Directive  
(73/23/EEC & 93/68/EEC)  
EC Directive of Electromagnetic Compatibility  
(89/336/EEC & 93/68/EEC)

**Applicable Harmonized Standards:** EN 60335-1: 1991  
EN 60335-2-67: 1992  
EN 60335-2-72: 1995  
EN 55022: 1998-09  
EN 55011: 1998-05  
EN 61000-6-2: 1999  
EN 61000-4-2: 1995  
EN 61000-4-3: 1997

 \_\_\_\_\_  
Authorized Signature Date 4/18/05

**Title of Signature:** Vice President, Windsor Industries, Inc.

**QUEST** ...for Continuous Improvement.  
Windsor's Quality Management System is Certified ISO 9001.



Manufacturers of innovative Building Maintenance Equipment

Windsor Industries, Inc.  
1351 West Stanford Avenue  
Englewood, CO 80110 USA

Phone: 303.762.1600  
FAX: 303.762.0817  
http://www.windsorind.com

### EC Declaration of Conformity

We herewith declare, Windsor Industries, Inc.  
1351 W. Stanford Ave.  
Englewood, CO 80110-5545 USA

that the following product complies with the appropriate essential health and safety requirements of the relevant EC Directives listed below, based on the relevant sections of the applicable EC standards and other normative documents.

**Product:** Chariot Scrubber Euro 24

**Product Identification:** Rated 36 VDC 60 A

**Trademark:**



**Model/Type Ref.:** CSE24

**Product Description:** This product is a battery powered, self-propelled, wet floor scrubber intended for commercial use.

**Applicable EC Directives:** EC Machinery Directive  
(89/392/EEC & 91/368/EEC & 93/44/EEC & 93/68/EEC)  
EC Low Voltage Directive  
(73/23/EEC & 93/68/EEC)  
EC Directive of Electromagnetic Compatibility  
(89/336/EEC & 93/68/EEC)

**Applicable Harmonized Standards:** EN 60335-1: 1991  
EN 60335-2-67: 1992  
EN 60335-2-72: 1995  
EN 55022: 1998-09  
EN 55011: 1998-05  
EN 61000-6-2: 1999  
EN 61000-4-2: 1995  
EN 61000-4-3: 1997

Authorized Signature

3/24/05  
Date

**Title of Signature:** Vice President, Windsor Industries, Inc.





Manufacturers of Innovative Building Maintenance Equipment

Windsor Industries, Inc.  
1351 West Stanford Avenue  
Englewood, CO 80110 USA

Phone: 303.762.1800  
FAX: 303.762.0817  
<http://www.windsorind.com>

### EC Declaration of Conformity

We herewith declare, Windsor Industries, Inc.  
1351 W. Stanford Ave.  
Englewood, CO 80110-5545 USA

that the following product complies with the appropriate essential health and safety requirements of the relevant EC Directives listed below, based on the relevant sections of the applicable EC standards and other normative documents.

**Product:** Chariot Scrubber Euro 24 Scrub Plus

**Product Identification:** Rated 36 VDC 60 A

**Trademark:**



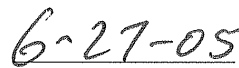
**Model/Type Ref.:** CSE24SP

**Product Description:** This product is a battery powered, self-propelled, wet floor scrubber intended for commercial use.

**Applicable EC Directives:**  
EC Machinery Directive  
(89/392/EEC & 91/368/EEC & 93/44/EEC & 93/68/EEC)  
EC Low Voltage Directive  
(73/23/EEC & 93/68/EEC)  
EC Directive of Electromagnetic Compatibility  
(89/336/EEC & 93/68/EEC)

**Applicable Harmonized Standards:**  
EN 60335-1: 1991  
EN 60335-2-67: 1992  
EN 60335-2-72: 1995  
EN 55022: 1998-09  
EN 55011: 1998-05  
EN 61000-6-2: 1999  
EN 61000-4-2: 1995  
EN 61000-4-3: 1997

  
Authorized Signature

  
Date

**Title of Signature:** Vice President, Windsor Industries, Inc.

**QUEST** ... for Continuous Improvement.  
Windsor's Quality Management System is Certified ISO 9001.



Manufacturers of Innovative Building Maintenance Equipment

Windsor Industries, Inc.  
1351 West Stanford Avenue  
Englewood, CO 80110 USA

Phone: 303.762.1800  
FAX: 303.762.0817  
<http://www.windsorind.com>

### EC Declaration of Conformity

We herewith declare, Windsor Industries, Inc.  
1351 W. Stanford Ave.  
Englewood, CO 80110-5545 USA

that the following product complies with the appropriate essential health and safety requirements of the relevant EC Directives listed below, based on the relevant sections of the applicable EC standards and other normative documents.

**Product:** Chariot Scrubber Euro Deluxe 24 Orange

**Product Identification:** Rated 36 VDC 60 A

**Trademark:**



**Model/Type Ref.:** CSXEO24

**Product Description:** This product is a battery powered, self-propelled, wet floor scrubber intended for commercial use.

**Applicable EC Directives:** EC Machinery Directive  
(89/392/EEC & 91/368/EEC & 93/44/EEC & 93/68/EEC)  
EC Low Voltage Directive  
(73/23/EEC & 93/68/EEC)  
EC Directive of Electromagnetic Compatibility  
(89/336/EEC & 93/68/EEC)

**Applicable Harmonized Standards:** EN 60335-1: 1991  
EN 60335-2-67: 1992  
EN 60335-2-72: 1995  
EN 55022: 1998-09  
EN 55011: 1998-05  
EN 61000-6-2: 1999  
EN 61000-4-2: 1995  
EN 61000-4-3: 1997

  
Authorized Signature

12/13/05  
Date

**Title of Signature:** Vice President, Windsor Industries, Inc.

**QUEST** ... for Continuous Improvement.  
Windsor's Quality Management System is Certified ISO 9001.

**NOTES:**