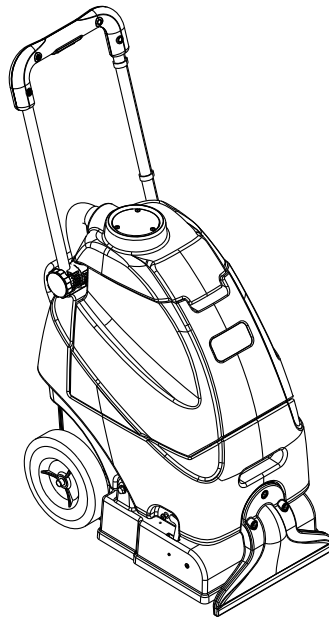

Clarke®

Clean Track®

12



Operator's Manual Manuel d'utilisation Libro de Instrucciones



READ THIS BOOK

LEA ESTE MANUAL



LISEZ CE MANUEL

EN English (A-1 – A-10)

ES Español (B-1 – B-10)

FR Français (C-1 – C-10)

This book has important information for the use and safe operation of this machine. Failure to read this book prior to operating or attempting any service or maintenance procedure to your Clarke machine could result in injury to you or to other personnel; damage to the machine or to other property could occur as well. You must have training in the operation of this machine before using it. If your operator(s) cannot read this manual, have it explained fully before attempting to operate this machine.

All directions given in this book are as seen from the operator's position at the rear of the machine.

For new books write to: Clarke®, 2100 Highway 265, Springdale, Arkansas 72764.

TABLE OF CONTENTS

	Page
Introduction	A-1
Parts and Service	A-1
Nameplate	A-1
Uncrating the Machine.....	A-1
Cautions and Warnings	A-2
Grounding Instructions	A-3
Know Your Machine	A-4 – A-5
Preparing the Machine for Use	
Filling the Solution Tank.....	A-6
Before Using.....	A-6
Pre-Spraying the Carpet.....	A-6
Plan for Cleaning	A-6
Operation	
Operating the Machine	A-7
Using Attachments.....	A-7
After Use	
After Using the Machine	A-8
Maintenance	
Maintenance Schedule	A-8
Vacuum Shoe Maintenance.....	A-8
Spray Nozzle Maintenance.....	A-9
Solution Screen Maintenance.....	A-9
Power Cord Maintenance	A-9
Power Brush Maintenance	A-9
Removing the Brush	A-9
Troubleshooting	A-10
Technical Specifications	A-10

INTRODUCTION

This manual will help you get the most from your Clarke® carpet extractor. Read it thoroughly before operating the machine.

This product is intended for commercial use only.

PARTS AND SERVICE

Repairs, when required, should be performed by your Authorized Clarke Service Center, who employs factory trained service personnel, and maintains an inventory of Clarke original replacement parts and accessories.

Call the CLARKE DEALER named below for repairs or service. Please specify the Model and Serial Number when discussing your machine.

(Dealer, affix service sticker here.)

NAMEPLATE

The Model Number and Serial Number of your machine are shown on the Nameplate, located on the rear base of the machine. This information is needed when ordering repair parts for the machine. Use the space below to note the Model Number and Serial Number of your machine for future reference.

MODEL _____

SERIAL NUMBER _____

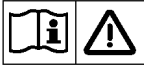
UNCRATING THE MACHINE

When the machine is delivered, carefully inspect the shipping carton and the machine for damage. If damage is evident, save the shipping carton so that it can be inspected. Contact the Clarke Customer Service Department immediately to file a freight damage claim.

IMPORTANT SAFETY INSTRUCTIONS

This machine is only suitable for commercial use, for example in hotels, schools, hospitals, shops and offices other than normal residential housekeeping purposes.

When using an electrical appliance, basic precautions should always be followed, including the following:



Read all instructions before using this appliance.



DANGER: Failure to read and observe all **DANGER** statements could result in severe bodily injury or death. Read and observe all **DANGER** statements found in your Owner's Manual and on your machine.



WARNING: Failure to read and observe all **WARNING** statements could result in injury to you or to other personnel; property damage could occur as well. Read and observe all **WARNING** statements found in your Owner's Manual and on your machine.



CAUTION: Failure to read and observe all **CAUTION** statements could result in damage to the machine or to other property. Read and observe all **CAUTION** statements found in your Owner's Manual and on your machine.

WARNING! To reduce the risk of fire, electric shock, or injury:

1. Do not leave the appliance when it is plugged in. Unplug the unit from the outlet when not in use and before servicing.
2. To avoid electric shock, do not expose to rain. Store indoors.
3. Do not allow to be used as a toy. Close attention is necessary when used near children.
4. Use only as described in this manual. Use only the manufacturer's recommended attachments.
5. Do not use with damaged cord or plug. If the appliance is not working as it should be, has been dropped, damaged, left outdoors or dropped into water, return it to a service center.
6. Do not pull or carry by the cord, use the cord as a handle, close a door on the cord, or pull the cord around sharp edges or corners. Do not run the appliance over the cord. Keep the cord away from heated surfaces.
7. Do not unplug by pulling on the cord. To unplug, grasp the plug, not the cord.
8. Do not handle the plug, cord or appliance with wet hands.
9. Do not put any object into openings. Do not use with any opening blocked; keep free of dust, lint, hair, and anything that may reduce air flow.
10. Keep loose clothing, hair, fingers, and all parts of body away from openings and moving parts.
11. Do not pick up anything that is burning or smoking, such as cigarettes, matches, or hot ashes, or any health endangering dusts.
12. Turn off all controls before unplugging.
13. Use extra care when cleaning on stairs.
14. Do not use to pick up flammable or combustible liquids such as petrol or use in areas where they may be present.
15. If foam or liquid comes out with the vacuum exhaust, switch power off immediately. Contact Clarke if the problem persists.
16. Liquid ejected at the spray nozzle could be dangerous as a result of its temperature, pressure or chemical content.
17. Only use the brushes provided with the appliance or those specified in the instruction manual. The use of other brushes may impair safety.

SAVE THESE INSTRUCTIONS

120VAC GROUNDING INSTRUCTIONS

This appliance must be grounded. If it should electrically malfunction, grounding provides a path of least resistance for electric current to reduce the risk of electric shock. This appliance is equipped with a cord having an equipment-grounding conductor and grounding plug. The plug must be plugged into an appropriate outlet that is properly installed and grounded in accordance with all local codes and ordinances.

⚠ DANGER! Improper connection of the equipment-grounding conductor can result in a risk of electric shock. Check with a qualified electrician or service person if you are in doubt as to whether the outlet is properly grounded. Do not modify the plug provided with the appliance. If it will not fit the outlet, have a proper outlet installed by a qualified electrician.

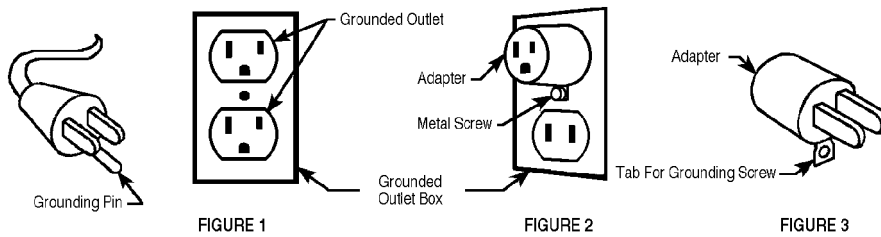
This appliance is for use on a nominal 120-volt circuit, and has a grounding plug that looks like the plug illustrated in Figure 1 below. A temporary adapter illustrated in Figures 2 and 3 may be used to connect this plug to a 2-pole receptacle as shown in Figure 2 if a properly grounded outlet is not available. The temporary adapter should be used only until a properly grounded outlet (Figure 1) can be installed by a qualified electrician. The green-colored rigid ear, tab, or the like extending from the adapter must be connected to a permanent ground such as a properly grounded outlet box cover. Whenever the adapter is used, it must be held in place by a metal screw. Grounding adapters are not approved for use in Canada.

Replace the plug if the grounding pin is damaged or broken.

The Green (or Green/Yellow) wire in the cord is the grounding wire. When replacing a plug, this wire must be attached to the grounding pin only.

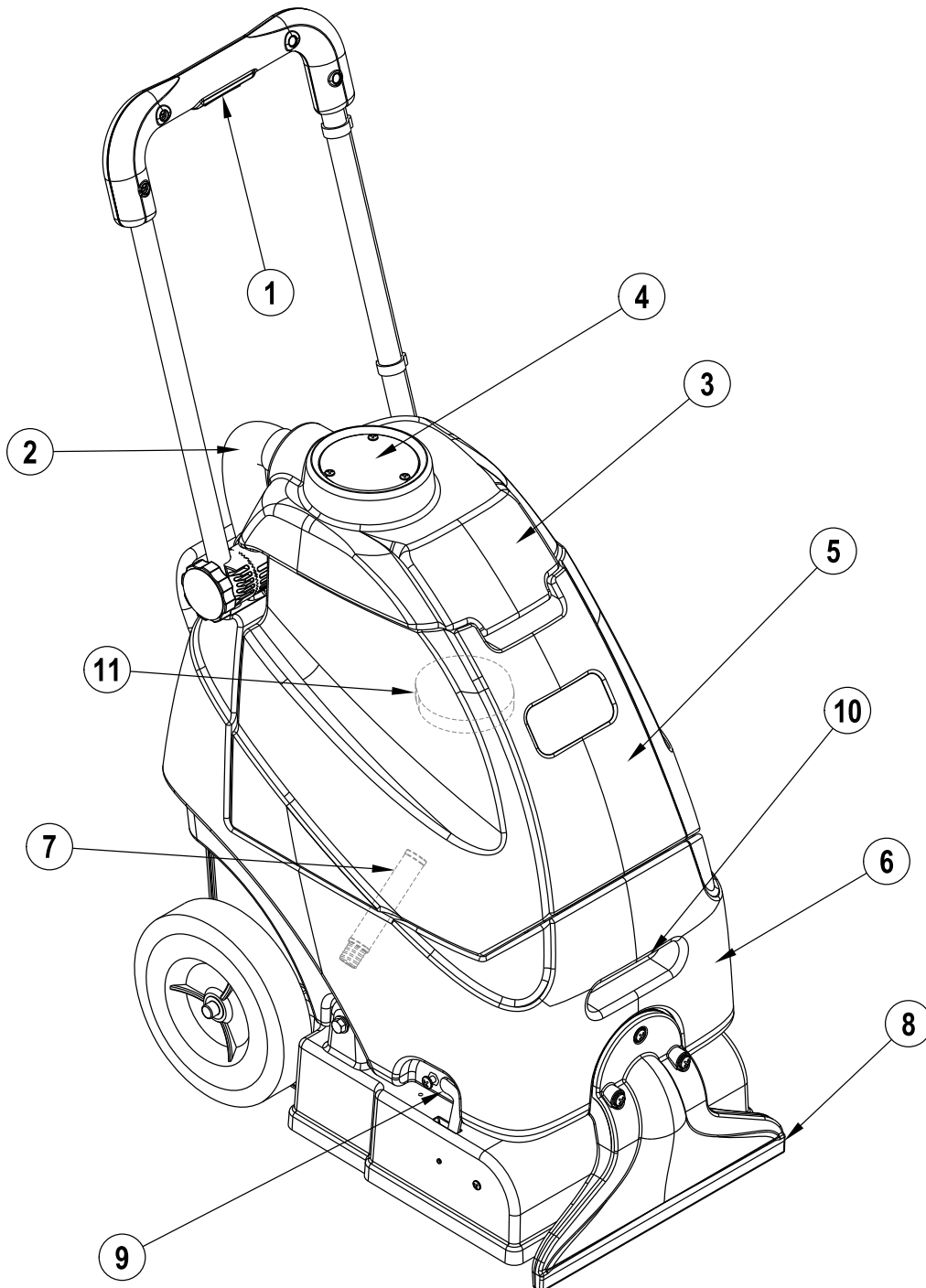
Extension cords connected to this machine should be 12 gauge, three-wire cords with three-prong plugs and outlets. DO NOT use extension cords more than 50 feet (15 m) long.

PLEASE NOTE: FOR NORTH AMERICA ONLY



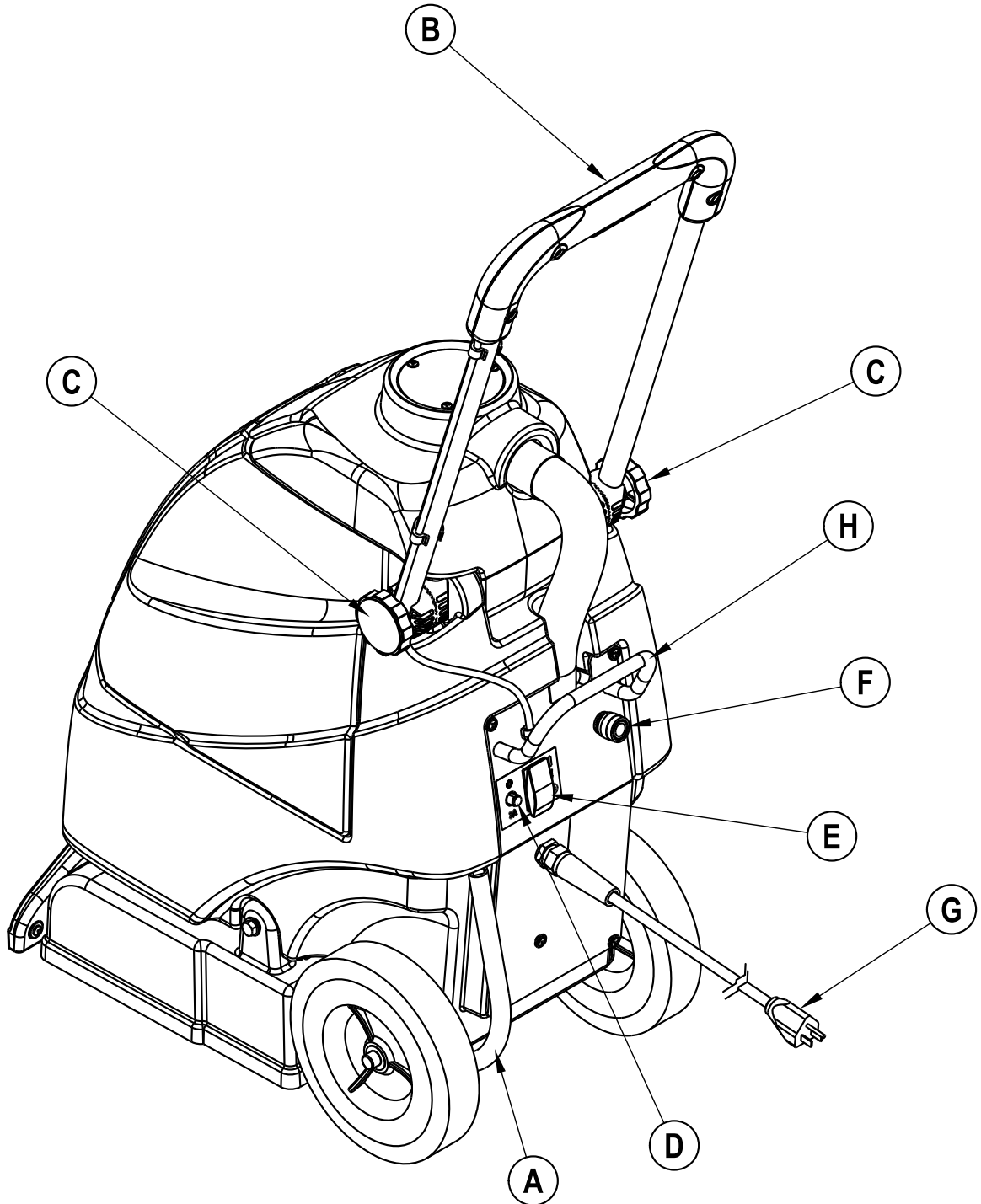
KNOW YOUR MACHINE

- 1 Solution/Brush Motor Switch
- 2 Recovery Hose
- 3 Recovery Tank Dome Lid
- 4 Dome Lid View Port
- 5 Recovery Tank
- 6 Solution Tank
- 7 Solution Screen
- 8 Vacuum Shoe
- 9 Brush Storage Position Lever
- 10 Lift Location
- 11 Vacuum Motor Filter



KNOW YOUR MACHINE (CONTINUED)

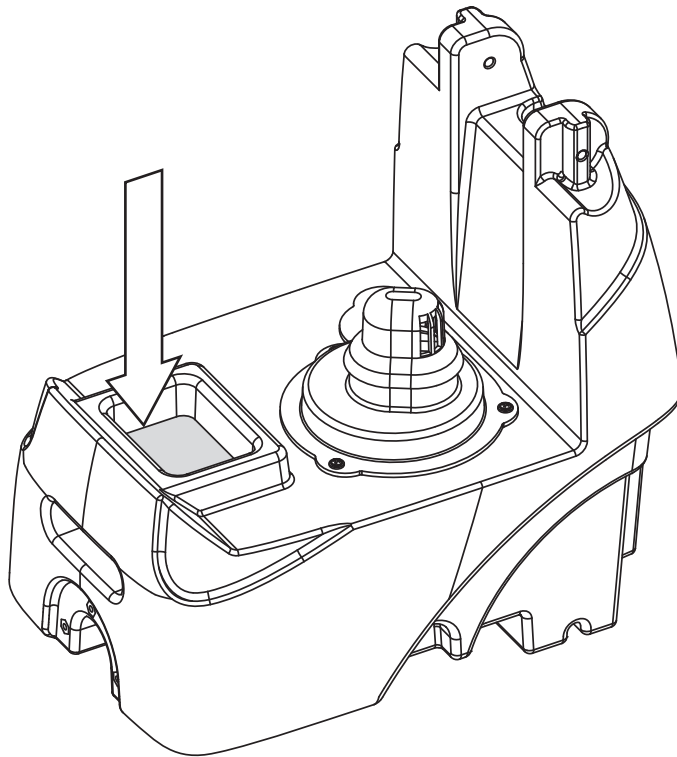
- A Solution Drain Hose / Level Indicator
- B Handle Assembly
- C Handle Adjustment Knobs
- D Brush Motor Circuit Breaker
- E Power Switch
- F Accessory Solution Port
- G Power Cord
- H Lift Handle



PREPARING THE MACHINE FOR USE**FILLING THE SOLUTION TANK**

- 1 Turn the power switch to OFF (O) and then unplug the machine.
- 2 Swing open the Recovery Tank Dome Lid (3). Lift the Recovery Tank (5) from the machine and set it off to the side.
- 3 Read the dilution instructions on the chemical container. Then calculate the proper amount of chemical to mix with your machine's solution tank capacity of water; 5 gallons (19 liters).
- 4 Pour the chemical into the Solution Tank (6) and fill the tank with hot water (maximum temperature 54°C/130°F). **NOTE:** Do not overfill the solution tank. The maximum fill point is when the solution level reaches the bottom of the lip on the tank opening. See Figure 4.
- 5 Put the Recovery Tank back on the machine. **NOTE:** Make sure the Recovery Tank is properly seated on the Solution Tank. Close the recovery tank dome lid.

⚠ CAUTION! Use low-sudsing, liquid detergents designed for carpet extraction.

FIGURE 4**BEFORE USING THE CLEAN TRACK® 12**

Thoroughly vacuum the carpet to be cleaned before using the Clean Track® 12 automatic extractor.

PRE-SPRAYING THE CARPET

Pre-spray spots and heavy traffic areas before extracting. Use a hand-held bottle sprayer or a pressurized "Hudson" type sprayer. Mix the pre-spray according to the chemical manufacturer's directions.

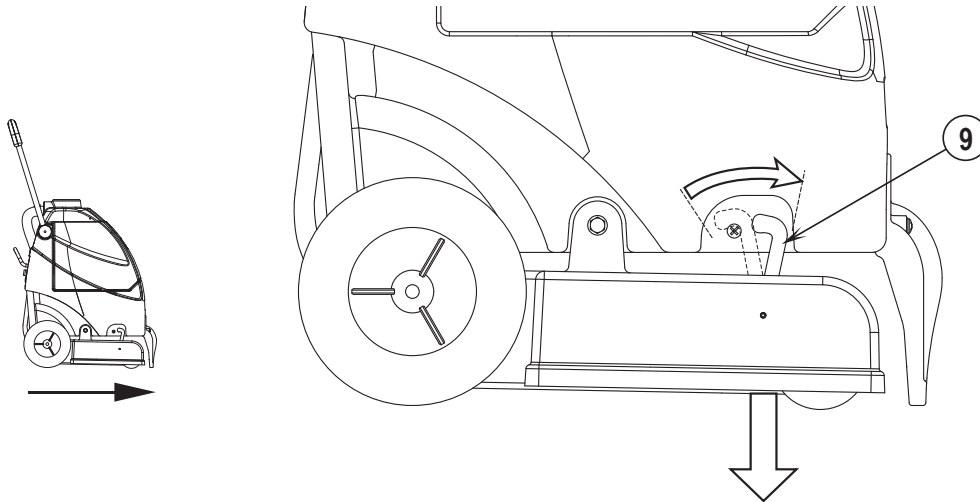
PLAN FOR CLEANING

Before you begin extracting, look at the area to be cleaned and plan your work. Divide the space into sections. Overlap each pass 2 inches (5 cm).

OPERATING THE MACHINE

- 1 Follow the instructions in the *Preparing the Machine for Use* section of this manual.
- 2 See Figure 5. Rotate the Brush Storage Position Lever (9) forward to release the machine from the storage position and lower the brush to the floor.

FIGURE 5



- 3 Loosen the Handle Height Adjustment Knobs (C) and adjust the handle height to the most comfortable position for the operator. Re-tighten the knobs once the desired height is reached.
- 4 Plug the machine into a properly grounded outlet. To start the vacuum motor, and enable the solution pump turn the Power Switch (E) to the ON (I) position.
- 5 Continually hold the Solution/Brush Motor Switch (1) to turn on the brush motor and dispense solution. Once the Solution/Brush Motor Switch (1) is released the brush motor will turn off and the solution flow will stop. The vacuum motor will continue to run as long as the power switch is in the ON (I) position.
- 6 Begin cleaning by pulling the machine along in a straight line and overlap each pass by 2 inches (5 cm). Release the Solution/Brush Motor Switch (1) prior to turns to ensure complete extraction of solution from carpet.
- 7 Watch the fluid entering the recovery tank Dome Lid View Port (4). If there is a large amount of suds in the recovery tank, add a defoamer chemical to the recovery tank.

CAUTION! Empty the recovery tank before the fluid or foam enters the vacuum motor.

If there is little or no fluid entering the recovery tank, check the Solution Drain Hose / Level Indicator (A), the solution tank may be empty. Refill the solution tank with water and the proper ratio of cleaning chemical. Empty the recovery tank each time the solution tank needs to be refilled.

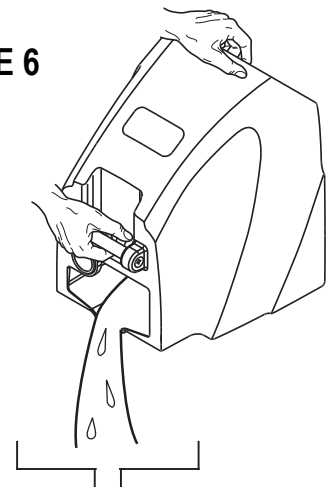
- 8 When the fluid reaches a full level the recovery tank must be emptied.

CAUTION! Do not continue to extract once the recovery tank becomes full.

The machine can continue to dispense solution, and will continue to pick up solution even though the recovery tank may be full. This would result in damage to the vacuum motor. If using the extractor to pick up solution already on the floor without dispensing solution be sure to frequently check the level of solution in the recovery tank. Open the recovery tank dome lid to check the level of solution in the recovery tank.

- 9 When the operator wants to stop cleaning or the recovery tank is full, release the Solution/Brush Motor Switch (1). Then turn the power switch OFF (O) and unplug the machine. Coil up the cord and wrap around the Handle Assembly (B).
- 10 Push the machine to a designated waste water "DISPOSAL SITE" and empty the recovery tank. To empty, swing open the recovery tank lid and remove the recovery tank from machine. Grasp the recovery tank as shown in Figure 6 and drain. Refill the solution tank and continue cleaning.

FIGURE 6



USING ATTACHMENTS

To use accessory tools, disconnect the recovery hose at the Recovery Tank Dome Lid (3). Attach the accessory's recovery hose to the Dome Lid in place of the machine's recovery hose. Attach the accessory's solution hose (waterline) to the machine's Accessory Solution Port (F).

See your Clarke Distributor for accessories that may be used with the *Clean Track*® 12.

AFTER USING THE MACHINE

- 1 Turn the Power Switch OFF (O). Unplug the Power Cord (G). Coil the cord and hang it from the cord hook.
- 2 To empty the solution tank, pull the Solution Drain Hose (A) off the upper hose barb. Direct the hose to a designated waste water "DISPOSAL SITE". Rinse the tank with clean water. Inspect the solution hoses; replace if kinked or damaged.
- 3 To empty the recovery tank, swing open the recovery tank lid and lift the Recovery Tank (5) off the machine. Empty the tank at a designated waste water "DISPOSAL SITE". Rinse the tank with clean water. Inspect the recovery hose; replace if kinked or damaged.
- 4 Remove the brush, rinse with warm water and remove any built-up string, hair or carpet fibers.
- 5 Disconnect the Recovery Hose (2) from the Recovery Tank Dome Lid (3) and flush with warm water to wash any debris out of the Recovery Hose and Vacuum Shoe.
- 6 Wipe the machine with a damp cloth. Do not use abrasive chemicals or solvents.
- 7 Perform any required maintenance before storage.

MAINTENANCE SCHEDULE

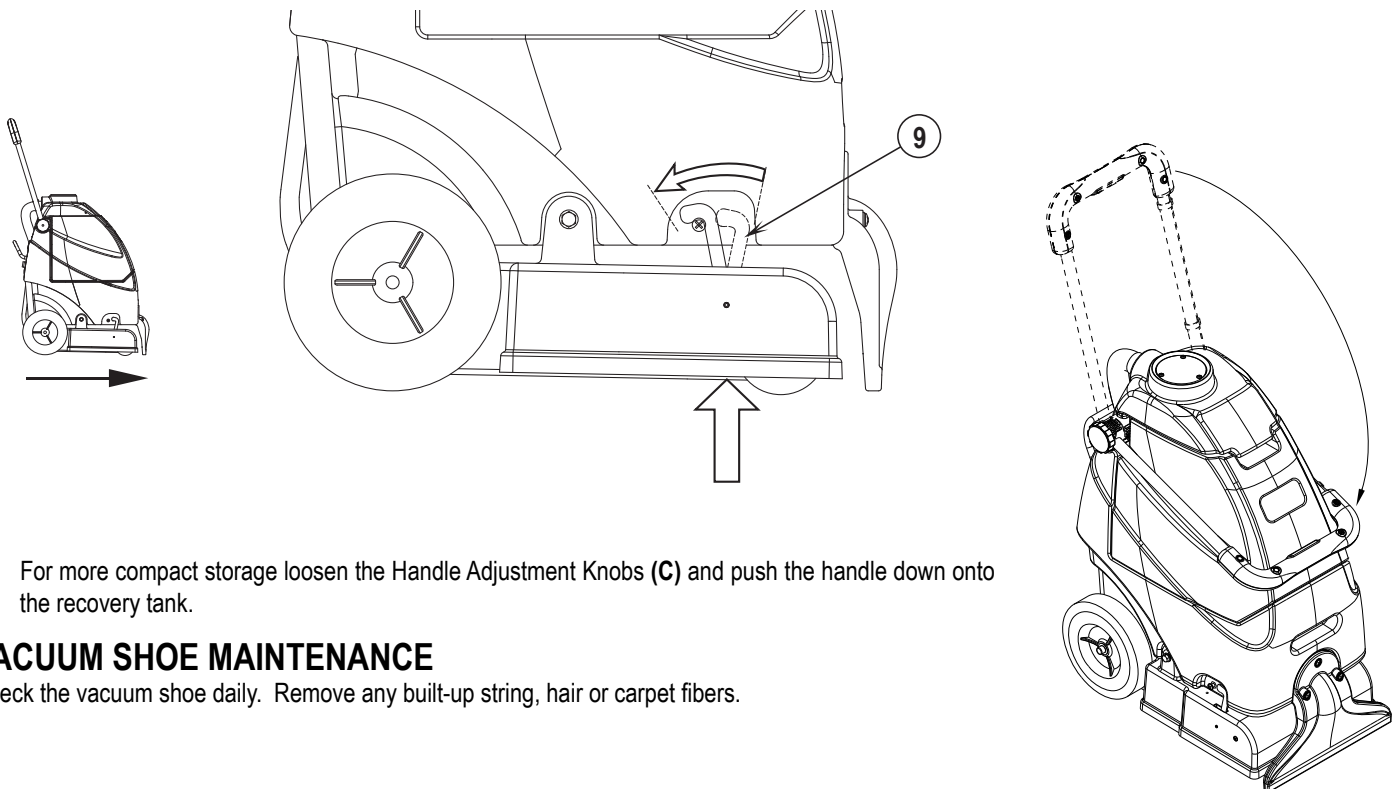
MAINTENANCE ITEM	Daily	Weekly	Monthly	Yearly
Check / Clean Power Brush	•			
Check / Clean Tanks & Hoses	•			
Clean Vacuum Shoe	•			
Check/Clean the vacuum motor foam filter	•			
Inspect & Clean Solution Screen		•		
Clean Spray Nozzle			•	
*Check Carbon Brushes				•

* Have a Clarke service technician check the vacuum motor carbon brushes once a year or after 300 operating hours. The brush motor carbon brushes check every 500 hours or once a year.

⚠ IMPORTANT! Motor damage resulting from failure to service the carbon brushes is not covered under warranty. See the Limited Warranty Statement.

- 8 Store the machine indoors in a clean, dry place with the tank dome lid open. Keep from freezing.
- 9 Place the machine in the storage position. This will prevent the brush from taking a "set", and will increase the brush life and maintain the performance of the brush. See Figure 7. Lift up on the base of the machine and rotate the Brush Storage Position Lever (9) backwards to latch the base in the storage position.

FIGURE 7



For more compact storage loosen the Handle Adjustment Knobs (C) and push the handle down onto the recovery tank.

VACUUM SHOE MAINTENANCE

Check the vacuum shoe daily. Remove any built-up string, hair or carpet fibers.

SPRAY NOZZLE MAINTENANCE

Remove the Spray Nozzle (J) once a month. See Figure 8. Soak the nozzle overnight in vinegar to remove chemical deposits.

SOLUTION SCREEN MAINTENANCE

Once a week (or more often if necessary), clean the Solution Screen (7). Drain the solution tank. Lift the recovery tank from the machine and set it off to the side. See Figure 9. Tip the machine onto its side. Loosen the Hose Clamp (K), remove the Hose (L) from Hose Barb (M). Unthread Hose Barb (M) from the machine to access Filter (7).

POWER CORD MAINTENANCE

Once a week (or more often if necessary), check the power cord for cracked or damaged insulation, exposed wires in the cord or plug, and damaged or missing ground pin. Repair or replace damaged cord or plug **immediately**. If the supply cord is damaged, it must be replaced by a special cord or assembly available from the manufacturer or its service agent.

POWER BRUSH MAINTENANCE

Check the brush daily. Remove any built-up string, hair or carpet fibers. When the machine is not in use it should be placed in the storage position (Figure 7). This will prevent the brush from taking a "set", and will increase the brush life and maintain the performance of the brush.

REMOVING THE BRUSH

⚠ CAUTION! Turn the power switch OFF (O) and unplug the machine, before changing the brushes.

- 1 Empty the solution tank. Swing open the recovery tank dome lid. Lift the recovery tank off the machine, empty it and set the tank off to the side.
- 2 Tip the machine onto its side.
- 3 See Figure 9. Rotate the brush until the Drive Lug (N) is in a position where one of the two fins is facing out (drive lug is perpendicular to the bottom of the base).
- 4 Grab the brush at the end with the Brush Retainer Clip (P) and pull straight out.
- 5 Install a new brush at the drive lug end first then push in the other brush end until it snaps into the retainer clip.

FIGURE 8

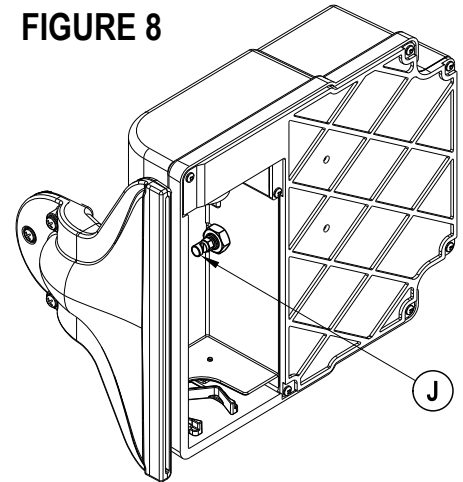
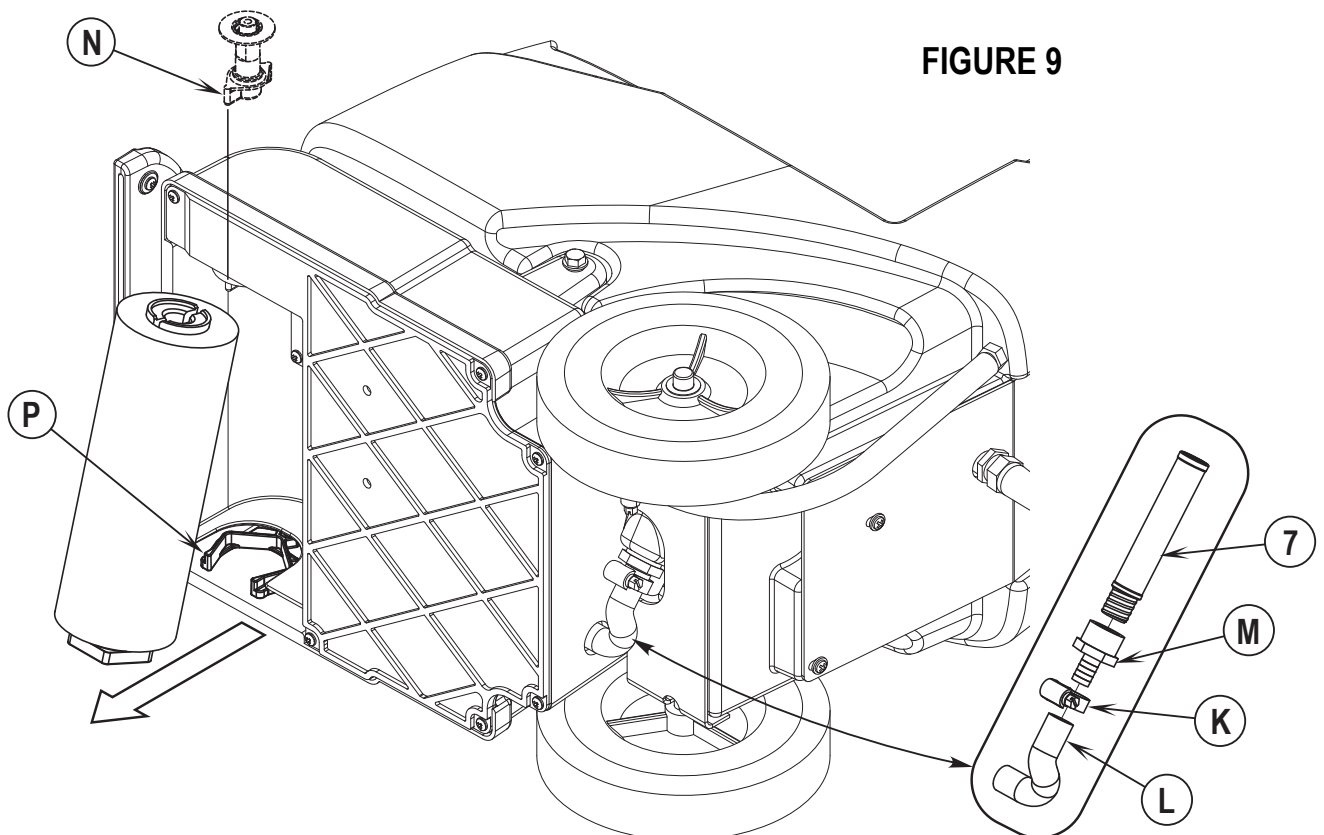


FIGURE 9



TROUBLESHOOTING

If the possible causes listed below are not the source of trouble, it is a symptom of something more serious. Contact your Clarke Service Center immediately for service.

TRIPPING THE CIRCUIT BREAKER

The Circuit Breaker (D) is located on the Control Panel; it protects the electrical circuit and brush motor from damage due to overload conditions. If the circuit breaker is tripped try to determine the cause.

Brush Circuit Breaker (3 Amp) Possible cause may be:

- 1 Debris wrapped around the brush drive (remove debris)
- 2 Electrical short circuit (have your Clarke Service Center or qualified electrician check the machine)

Once the problem has been corrected, push the button in to reset the circuit breaker. If the button does not stay in, wait 5 minutes and try again. If the circuit breaker trips repeatedly, call your Clarke Service Center for service.

POOR WATER PICKUP

Possible causes may be:


- 1 Recovery Tank Full (empty recovery tank)
- 2 Recovery hose is kinked or damaged (replace the hose)
- 3 Recovery tank dome lid gasket leak (replace gasket)
- 4 Debris caught in vacuum shoe or recovery hose (clean vacuum shoe and recovery hose)

INADEQUATE SOLUTION FLOW

Possible causes may be:

- 1 Solution tank empty (fill solution tank)
- 2 Solution lines or screen clogged (flush lines and screen)

TECHNICAL SPECIFICATIONS (as installed and tested on the unit)

Model		Clean Track® 12
Model No.		56265230
Voltage/frequency	V/Hz	120 / 50-60
Rated Current	Amp	8
Protection Class (electrical)		
Protection Grade		
Sound Pressure Level (ISO 11201)	dB (A)/20µPa	75
Total Weight	lbs/kg	67 / 30
Vibrations at the Hand Controls (ISO 5349-1)	m/s ²	0.87m/s ²
Solution Tank Capacity		5 gal (19l)

ÍNDICE

	Página
Introducción	B-1
Componentes y servicio	B-1
Placa de identificación.....	B-1
Desembalaje de la máquina	B-1
Precauciones y advertencias.....	B-2
Instrucciones de conexión a tierra.....	B-3
 Conozca su máquina	 B-4 – B-5
 Preparación de la máquina para su utilización	
Llenado del depósito de solución	B-6
Antes de la utilización.....	B-6
Pulverización previa de la moqueta.....	B-6
Planificación de la limpieza	B-6
 Operación	
Manejo de la máquina	B-7
Uso de accesorios	B-7
 Después de la utilización	
Después de la utilización de la máquina	B-8
 Mantenimiento	
Programa de mantenimiento	B-8
Mantenimiento de la zapata de aspiración	B-8
Mantenimiento de la boquilla de pulverización.....	B-9
Mantenimiento de la criba de la solución	B-9
Mantenimiento del cable de alimentación	B-9
Mantenimiento del cepillo de alimentación.....	B-9
Extracción del cepillo.....	B-9
 Localización de averías	 B-10
Especificaciones técnicas.....	B-10

INTRODUCCIÓN

Este manual le ayudará a obtener el máximo rendimiento de su aspirador de moqueta Clarke®. Léalo con atención antes de utilizar la máquina.

Este producto está destinado exclusivamente a uso comercial.

COMPONENTES Y SERVICIO

Las reparaciones, cuando sean necesarias, deben ser realizadas por su Centro Autorizado de Servicio Clarke que utiliza personal de servicio formado en fábrica y lleva un inventario de piezas de repuesto y accesorios Clarke originales.

Llame al DISTRIBUIDOR CLARKE que se indica a continuación para lo referente a piezas de repuesto y servicio. Por favor, especifique el Modelo y Número de Serie cuando hable de su máquina.

(Distribuidor, coloque aquí la pegatina de su servicio.)

PLACA DE IDENTIFICACIÓN

El Número de Modelo y Número de Serie de la máquina se indican en la placa de identificación instalada en la parte trasera de la máquina. Esta información es necesaria a la hora de solicitar repuestos para la máquina. Utilice el espacio situado más abajo para anotar el Modelo y Número de Serie de la máquina para futuras consultas.

MODELO _____

NÚMERO DE SERIE _____

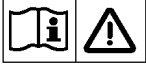
DESEMBALAJE DE LA MÁQUINA

Cuando reciba la máquina, examine con atención el cartón de embalaje y la máquina, con el fin de comprobar si existe algún daño. Si observa algún daño, guarde la caja de embalaje para que se pueda inspeccionar. Póngase en contacto inmediatamente con el Departamento de Servicio al Cliente de Clarke para presentar una reclamación por daños en transporte.

INSTRUCCIONES IMPORTANTES DE SEGURIDAD

Esta máquina es apta únicamente para su uso comercial, por ejemplo, en hoteles, colegios, hospitales, tiendas y oficinas, y no para la limpieza diaria del hogar.

Cuando utilice un aparato eléctrico se deben seguir instrucciones básicas, incluyendo las siguientes:



Lea todas y cada una de las instrucciones antes de utilizar el aparato.

**PELIGRO:**

Si no siga las instrucciones que siguen la palabra PELIGRO, se pueden causar lesiones graves, incluso mortales. Lea y siga todas las instrucciones PELIGRO que se encuentran en el libro y en la máquina.

**AVISO:**

Si no siga las instrucciones AVISO, se pueden causar lesiones sea al operador sea a otro persona y/o daños materiales. Lea y siga todas las indicaciones AVISO que se encuentran en el libro y en la máquina.

**CUIDADO:**

Si no siga las instrucciones señaladas por la palabra CUIDADO, se puede estropear la máquina o causar daños materiales en su entorno. Lea y siga todas las indicaciones CUIDADO que se encuentran en el libro y en la máquina.



¡ADVERTENCIA! Para reducir el riesgo de incendio, descargas eléctricas o lesiones:

1. No abandone el aparato mientras esté enchufado. Desenchufe la unidad de la toma mural cuando no lo utilice o antes de realizar el servicio.
2. Para evitar descargas eléctricas, no exponga el aparato a la lluvia. Guárdelo en un lugar cubierto.
3. No permita que se utilice como juguete. Es necesario prestar mucha atención cuando se usa cerca de niños.
4. Utilícelo sólo de la manera descrita en este manual. Utilice sólo los accesorios recomendados por el fabricante.
5. No utilice el aparato si observa daños en el cable o el enchufe. Si el aparato no funciona como debe, se ha caído al suelo, se ha deteriorado, se ha dejado en el exterior o se ha caído al agua, envíelo a un centro de servicio.
6. No tire del cable ni arrastre el aparato por medio del cable, no utilice el cable a modo de mango, evite que el cable quede atrapado al cerrar las puertas y no tire del cable contra bordes agudos o esquinas. No pase el aparato por encima del cable. Mantenga el cable lejos de superficies calientes.
7. No desenchufe tirando del cable. Para desenchufar, tire del enchufe y no del cable.
8. No manipule el enchufe ni el aparato con las manos húmedas.
9. No coloque ningún objeto en las aberturas. No utilice el aparato con las aberturas obstruidas; manténgalas libres de polvo, hilos, pelo o cualquier otra sustancia que pueda impedir la circulación del aire.
10. Mantenga el cabello, las ropas sueltas, los dedos y todas las partes del cuerpo lejos de las aberturas y de las partes en movimiento.
11. No recoja ningún material en combustión o que eche humo, como cigarrillos o cerillas, o cualquier tipo de polvo que representara una amenaza para la salud.
12. Apague todos los controles antes de desenchufar el aparato.
13. Tenga un cuidado especial cuando limpie en escaleras.
14. No utilice el aparato para recoger líquidos inflamables o combustibles, como gasolina, ni en lugares en los que pueda haber dichos líquidos.
15. Si sale espuma o líquido con el escape de aspiración, apague el aparato inmediatamente. Póngase en contacto con Clarke si el problema persiste.
16. El líquido eyectado por la boquilla de pulverización podría ser peligroso debido a su temperatura, presión o contenido químico.
17. Use solamente los cepillos suministrados junto con el aparato o aquellos especificados en el manual de instrucciones. El uso de otros cepillos puede afectar a la seguridad.

GUARDE ESTAS INSTRUCCIONES

120VAC INSTRUCCIONES PARA HACER LA TOMA A TIERRA

Este aparato deberá ser conectado a tierra. En caso de malfuncionamiento o de desperfectos, la toma a tierra proporciona una vía de menor resistencia de la corriente eléctrica para reducir el riesgo de choques eléctricos. Esta unidad viene equipada con un cordón con conductores para toma a tierra y con un enchufe con toma a tierra. Ese enchufe deberá ser enchufado a un receptáculo en buen estado con instalación a tierra según los códigos y ordenanzas de la zona.

⚠ ¡PELIGRO ! Si el conductor a tierra no está instalado correctamente pueden producirse riegos de choques eléctricos. En caso de duda, consulte con un electricista o personal de servicio autorizados. No modifique el cordón provisto con el aparato. Si no calza en el receptáculo, llame a un electricista calificado para que coloque un receptáculo adecuado.

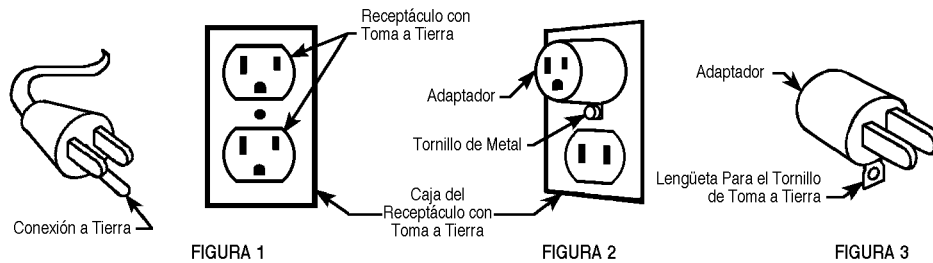
Este aparato se usa con un circuito de 120-voltios nominales, y tiene un enchufe con toma a tierra tal como se muestra en la figura 1, a continuación. Se puede usar un adaptador provisorio tal como se ve en las figuras 2 y 3 en caso de disponerse de un receptáculo sin toma a tierra como en la figura 2. Dicho adaptador provisorio se usará solamente hasta que un electricista calificado instale un receptáculo con la toma a tierra correspondiente (figura 1). La lengüeta de conexión de color verde que sale del adaptador deberá ser conectada a una toma a tierra permanente como, por ejemplo, la caja del receptáculo con toma a tierra. Siempre que se use el adaptador, hay que sostenerlo en su lugar con un tornillo de metal.

Sustituya el enchufe si la patilla de tierra está dañada o rota.

El hilo verde (o verde/amarillo) del cordón es el hilo de tierra. Cuando sustituya el enchufe, este hilo sólo debe ir conectado a la patilla de tierra.

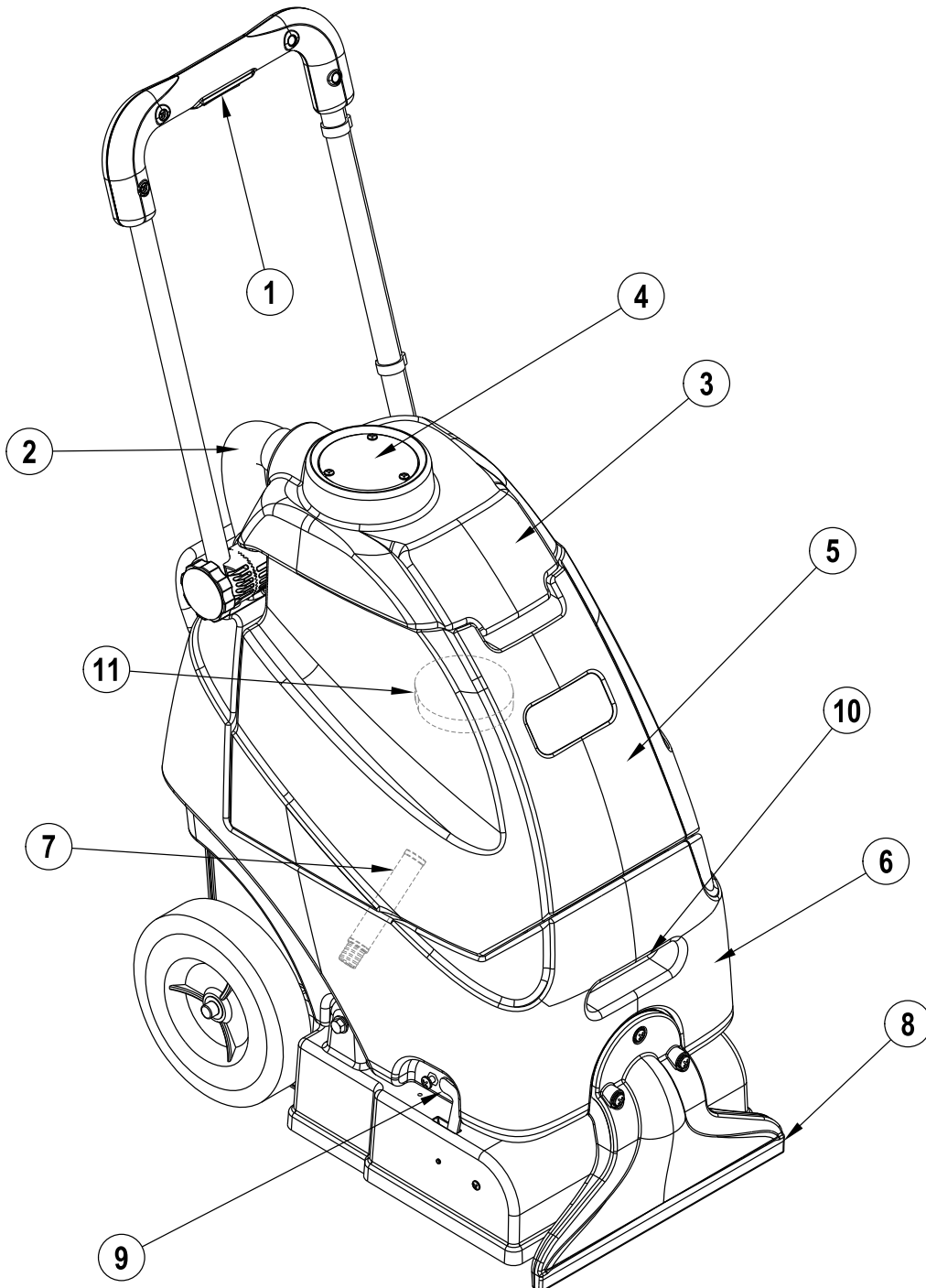
Los cables alargadores conectados a esta máquina deben ser del calibre 12, trifilares, con tres patillas y tomas de pared adecuadas. NO UTILICE cables alargadores de más de 15 m.

ATENCIÓN : PARA AMÉRICA DE NORTE SOLAMENTE.



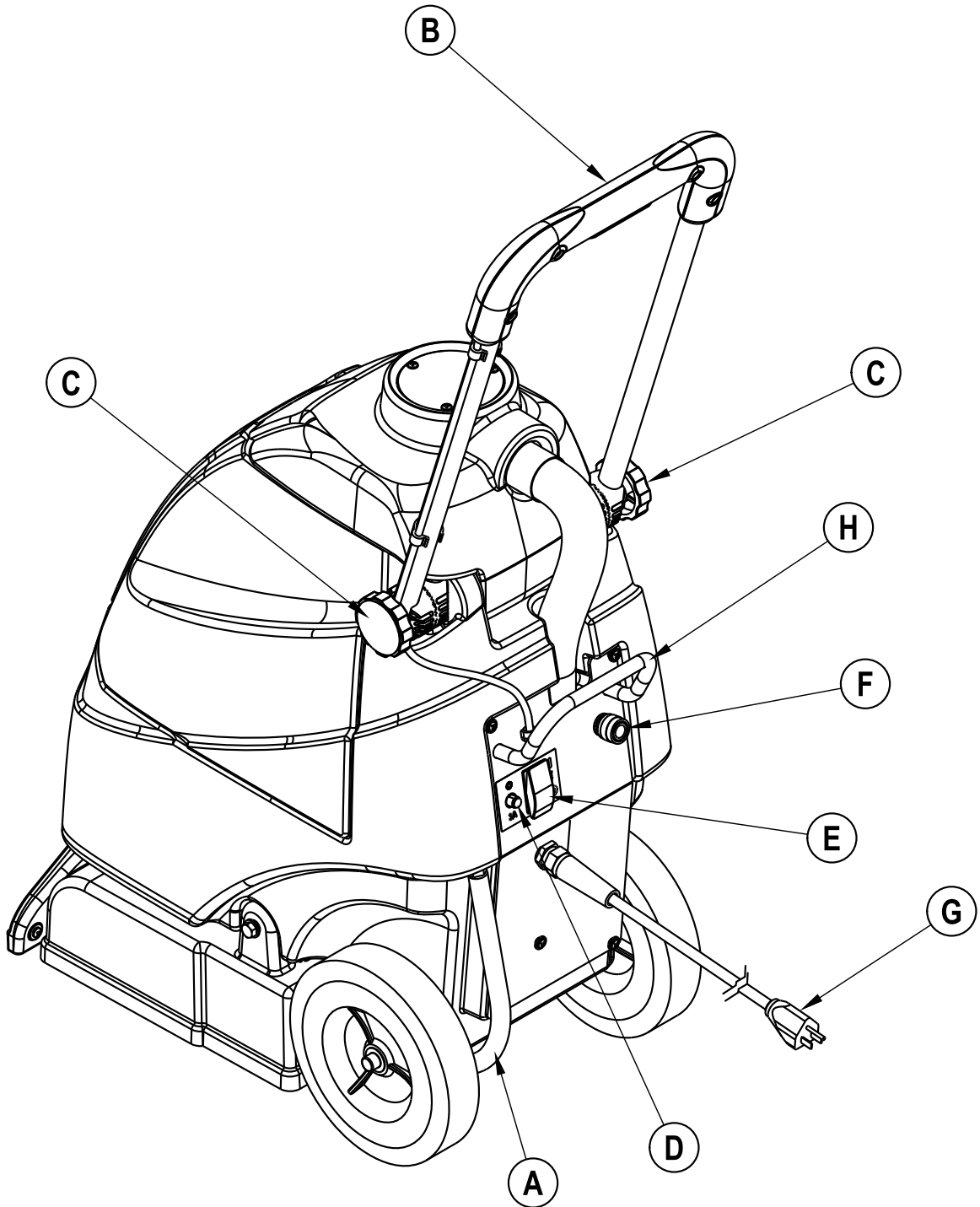
CONOZCA SU MÁQUINA

- 1 Interruptor del motor del cepillo/solución
- 2 Tubería de recuperación
- 3 Tapa del depósito de recuperación
- 4 Mirilla de la tapa
- 5 Depósito de recuperación
- 6 Depósito de solución
- 7 Criba de la solución
- 8 Zapata de aspiración
- 9 Palanca de posición de almacenaje del cepillo
- 10 Ubicación del elevador
- 11 Filtro del motor de vacío



CONOZCA SU MÁQUINA (CONTINUACIÓN)

- A Tubería de drenaje de la solución / Indicador de nivel
- B Conjunto de mango
- C Botones de ajuste del mango
- D Disyuntor del motor del cepillo
- E Conmutador de corriente
- F Puerto de solución del accesorio
- G Cable de alimentación
- H Mango del elevador



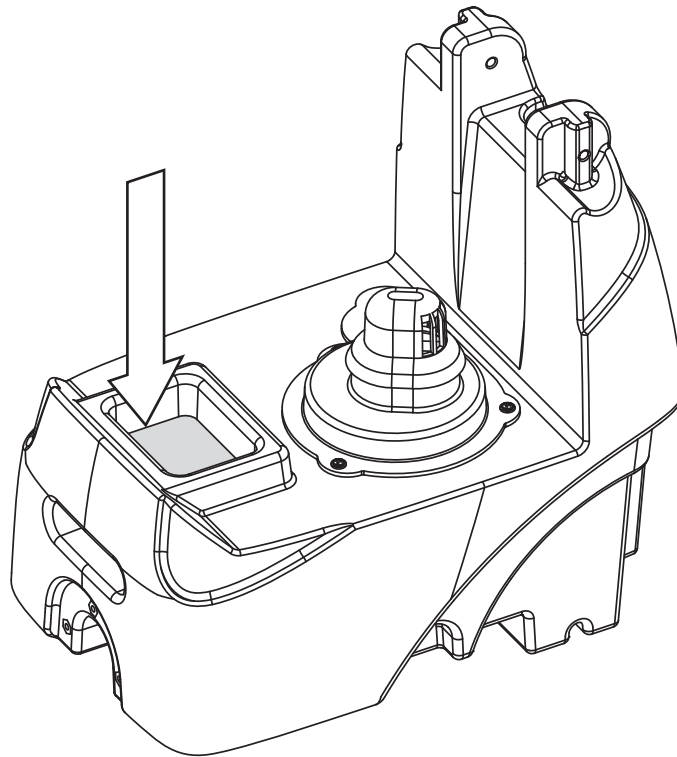
PREPARACIÓN DE LA MÁQUINA PARA SU UTILIZACIÓN

LLENADO DEL DEPÓSITO DE SOLUCIÓN

- 1 Apague el conmutador de corriente (O) y desenchufe la máquina.
- 2 Abra la tapa del depósito de recuperación (3). Levante el depósito de recuperación (5) de la máquina y apártelo a un lado.
- 3 Lea las instrucciones que aparecen en el envase del producto químico. A continuación, calcule la cantidad adecuada de producto químico que se mezclará con la capacidad de agua del depósito de solución de su máquina; 5 galones (19 litros).
- 4 Vierta el producto químico en el depósito de solución (6) y llene el depósito con agua caliente (temperatura máxima de 54°C/130°F). **NOTA:** No llene en exceso el depósito de solución. El punto de llenado máximo se alcanza cuando el nivel de la solución llega a la parte inferior del borde situado en la apertura del depósito. Ver la Figura 4.
- 5 Vuelva a colocar el depósito de recuperación en la máquina. **NOTA:** Asegúrese de asentar correctamente el depósito de recuperación en el depósito de solución. Cierre la tapa del depósito de recuperación.

⚠ ¡PRECAUCIÓN! Utilice detergentes líquidos de bajo poder espumante diseñados para la succión de moquetas.

FIGURA 4



ANTES DE UTILIZAR EL CLEAN TRACK® 12

Aspire completamente la moqueta que va a limpiar antes de utilizar el aspirador automático Clean Track® 12.

PULVERIZACIÓN PREVIA DE LA MOQUETA

Pulverice previamente las manchas y las zonas por las que más se circula. Utilice un pulverizador de mano o un pulverizador presurizado tipo "Hudson". Mezcle el producto de pulverización de acuerdo con las recomendaciones del fabricante.

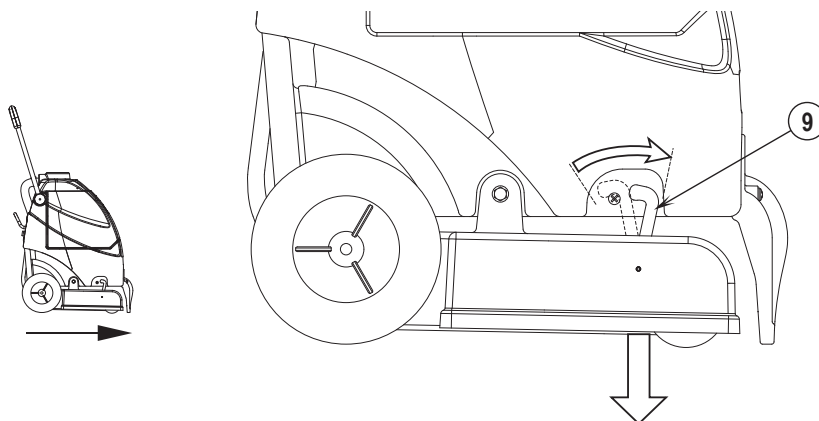
PLANIFICACIÓN DE LA LIMPIEZA

Antes de empezar a aspirar, observe la zona que va a limpiar y planifique su trabajo. Divida el espacio en secciones. Debe solapar los tramos unos 5 cm.

MANEJO DE LA MÁQUINA

- 1 Siga las instrucciones de la sección *Preparación de la máquina* para el uso de este manual.
- 2 Ver la Figura 5. Gire la palanca de posición de almacenaje del cepillo (9) hacia delante para soltar la máquina de la posición de almacenaje y bajar el cepillo al suelo.

FIGURA 5



- 3 Afloje los botones de ajuste de altura del mango (C) y ajuste la altura del mango en la posición más cómoda para el operario. Vuelva a apretar los botones una vez alcanzada la altura deseada.
- 4 Enchufe la máquina en una toma de corriente puesta a tierra correctamente. Para arrancar el motor de aspiración y activar la bomba de la solución ponga el conmutador de corriente (E) en la posición ON (I).
- 5 Mantenga pulsado el interruptor del motor del cepillo/solución (1) para encender el motor del cepillo y aplicar la solución. Una vez que el interruptor del motor del cepillo/solución (1) se suelta, el motor del cepillo se apagará y el flujo de la solución se detendrá. El motor de aspiración seguirá funcionando mientras que el conmutador de corriente esté en la posición ON (I).
- 6 Comience a limpiar pasando la máquina por una línea recta y solape los distintos tramos unos 5 cm. Suelte el interruptor del motor del cepillo/solución (1) antes de girar para garantizar la completa succión de la solución de la moqueta.
- 7 Observe la introducción del fluido en la mirilla de la tapa del depósito de recuperación (4). Si hay demasiada espuma en el depósito de recuperación, añada un antiespumante en el depósito de recuperación.

⚠ ¡PRECAUCIÓN! Vacíe el depósito de recuperación antes de que el fluido o la espuma se introduzcan en el motor de aspiración.

Si no se introduce fluido en el depósito de recuperación, o sólo se introduce una pequeña cantidad, compruebe el indicador de nivel de la tubería de drenaje de la solución (A); es posible que el depósito de solución esté vacío. Rellene el depósito de solución con agua y la cantidad adecuada de limpiador químico. Vacíe el depósito de recuperación cada vez que el depósito de la solución necesite rellenarse.

- 8 Cuando el fluido alcance un nivel completo, el depósito de recuperación debe vaciarse.

⚠ ¡PRECAUCIÓN! No siga aspirando cuando el depósito de recuperación esté lleno.

La máquina puede seguir aplicando la solución y seguirá recogiendo solución aunque el depósito de recuperación esté lleno. Esto produciría daños en el motor de aspiración. Si utiliza el aspirador para recoger solución que ya está en el suelo sin aplicar solución, asegúrese de comprobar con frecuencia el nivel de solución en el depósito de recuperación. Abra la tapa del depósito de recuperación para comprobar el nivel de solución del depósito de recuperación.

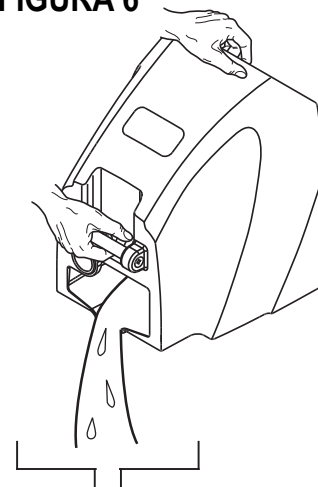
- 9 Cuando el operario desea detener la limpieza o el depósito de recuperación está lleno, suelte el interruptor del motor del cepillo/solución (1). A continuación, apague el conmutador de corriente (O) y desenchufe la máquina. Enrolle el cable alrededor del conjunto de mango (B).
- 10 Lleve la máquina a un lugar establecido para la eliminación de aguas residuales y vacíe el depósito de recuperación. Para vaciar, abra la tapa del depósito de recuperación y retire dicho depósito de la máquina. Sujete el depósito de recuperación como se indica en la Figura 6 y vacíe. Rellene el depósito de solución y siga limpiando.

USO DE ACCESORIOS

Para utilizar accesorios, desconecte la tubería de recuperación en la tapa del depósito de recuperación (3). Fije la tubería de recuperación del accesorio a la tapa en el lugar de la tubería de recuperación de la máquina. Fije la manguera de solución del accesorio (línea de agua) al puerto de solución del accesorio de la máquina (F).

Póngase en contacto con su distribuidor Clarke en cuanto a los accesorios que pueden utilizarse con el Clean Track® 12.

FIGURA 6



DESPUÉS DE LA UTILIZACIÓN DE LA MÁQUINA

- 1 Apague el conmutador de corriente (O). Desenchufe el cable de alimentación (6). Enrolle el cable y cuélguelo del gancho que sostiene el cable.
- 2 Para vaciar el depósito de solución, retire la tubería de drenaje de la solución (A) de la lengüeta de la manguera superior. Dirija la tubería a un lugar establecido para la eliminación de aguas residuales. Enjuague el depósito con agua limpia. Inspeccione las mangueras de solución y sustitúyalas si están torcidas o dañadas.
- 3 Para vaciar el depósito de recuperación, abra la tapa del mismo y levántelo (5) de la máquina. Vacíe el depósito en un lugar establecido para la eliminación de aguas residuales. Enjuague el depósito con agua limpia. Inspeccione la manguera de solución y sustitúyala si está torcida o dañada.
- 4 Retire el cepillo, enjuague con agua caliente y retire restos de hilos, pelo o fibras de la moqueta.
- 5 Desconecte la tubería de recuperación (2) de la tapa del depósito de recuperación (3) y lave con agua caliente para eliminar los residuos de la tubería de recuperación y de la zapata de aspiración.
- 6 Limpie la máquina con un paño húmedo. No utilice disolventes ni productos químicos abrasivos.
- 7 Realice cualquier operación de mantenimiento que sea necesaria antes de guardar la máquina.

PROGRAMA DE MANTENIMIENTO

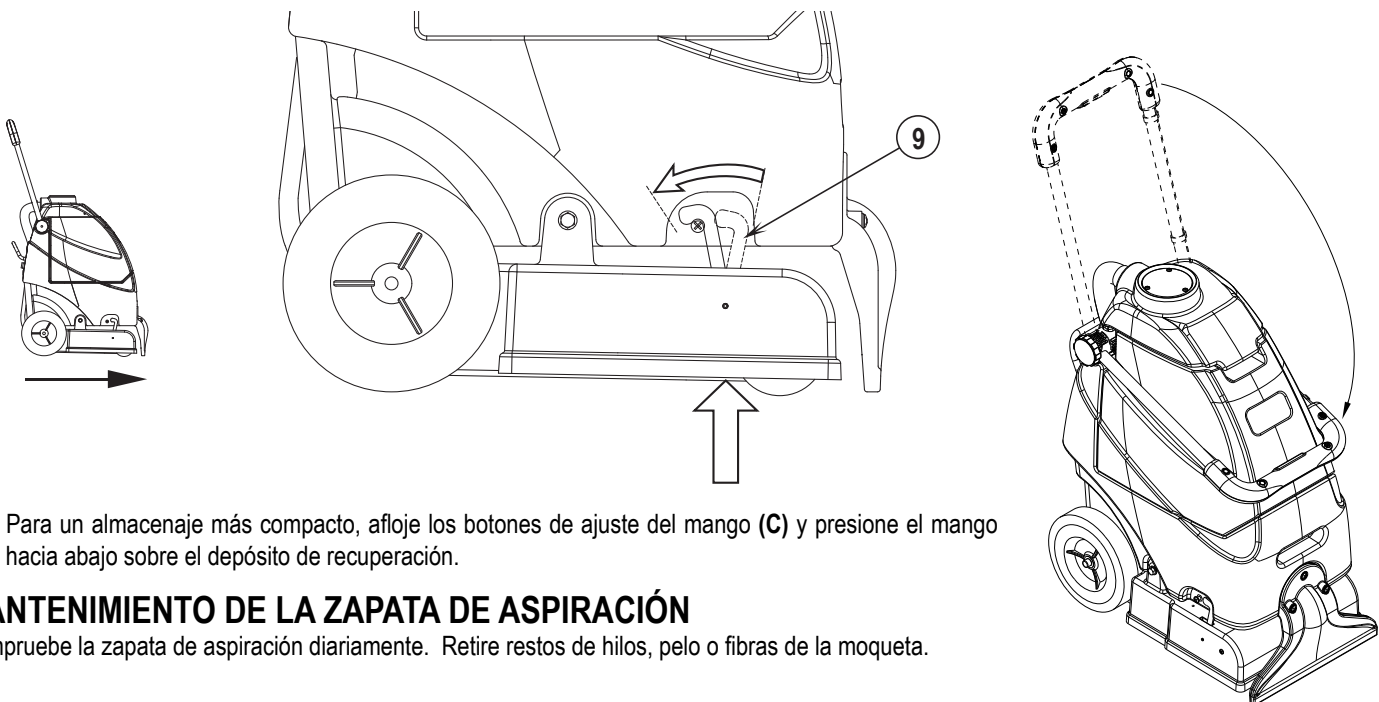
OPERACIÓN DE MANTENIMIENTO	Diaria	Semanal	Mensual	Anual
Limpia e inspecciona el cepillo de alimentación	•			
Limpia e inspecciona depósitos y tuberías	•			
Limpia la zapata de aspiración	•			
Comprueba y limpia filtro de espuma del motor de aspiración	•			
Limpia e inspecciona la criba de la solución		•		
Limpia la boquilla de pulverización			•	
* Inspecciona los cepillos de carbono				•

** Haga que un técnico de mantenimiento de Clarke revise los cepillos de carbono del motor de aspiración una vez al año o después de 300 horas de funcionamiento. Compruebe los cepillos de carbono de los motores del cepillo cada 500 horas o una vez al año.

⚠ ¡IMPORTANTE! Los daños al motor causados por no haber revisado y mantenido los cepillos de carbono no están cubiertos por la garantía. Consulte la Declaración de Garantía Limitada.

- 8 Guarde la máquina en el interior, en un lugar limpio y seco, con la tapa del depósito abierta. Protéjala de la congelación.
- 9 Coloque la máquina en la posición de almacenaje. Esto evita que el cepillo se aplaste, de modo que la vida útil del cepillo aumenta y se preserva la eficacia del mismo. Ver la Figura 7. Levante la base de la máquina y gire la palanca de posición de almacenaje del cepillo (9) hacia atrás para asegurar la base en la posición de almacenaje.

FIGURA 7



Para un almacenaje más compacto, afloje los botones de ajuste del mango (C) y presione el mango hacia abajo sobre el depósito de recuperación.

MANTENIMIENTO DE LA ZAPATA DE ASPIRACIÓN

Compruebe la zapata de aspiración diariamente. Retire restos de hilos, pelo o fibras de la moqueta.

MANTENIMIENTO DE LA BOQUILLA DE PULVERIZACIÓN

Retire la boquilla de pulverización (J) una vez al mes. Ver la Figura 8. Introduzca la boquilla en vinagre durante toda la noche para eliminar depósitos de productos químicos.

MANTENIMIENTO DE LA CRIBA DE LA SOLUCIÓN

Una vez por semana (o más si fuera necesario), limpie la criba de la solución (7). Vacíe el depósito de la solución. Levante el depósito de recuperación de la máquina y apártelo a un lado. Ver la Figura 9. Inclíne la máquina hacia un lado. Afloje la pinza de la manguera (K) y retire la manguera (L) de la lengüeta de la manguera (M) de la máquina para acceder al filtro (7).

MANTENIMIENTO DEL CABLE DE ALIMENTACIÓN

Una vez por semana (o más si fuera necesario), compruebe el cable de alimentación para ver si existen grietas o si el aislamiento está dañado, si hay hilos expuestos en el cable o en el enchufe y si la patilla de tierra está dañada o no está presente. Repare o sustituya el cable o enchufe dañado **inmediatamente**. Si el cable de alimentación está dañado, debe sustituirse por un cable especial o conjunto suministrado por el fabricante o su agente de servicio.

MANTENIMIENTO DEL CEPILLO DE ALIMENTACIÓN

Compruebe el cepillo diariamente. Retire restos de hilos, pelo o fibras de la moqueta. Cuando la máquina no se esté utilizando debe colocarse en la posición de almacenaje (Figura 7). Esto evita que el cepillo se aplaste, de modo que la vida útil del cepillo aumenta y se preserva la eficacia del mismo.

EXTRACCIÓN DEL CEPILLO

⚠ ¡PRECAUCIÓN! Apague el conmutador de corriente (O) y desenchufe la máquina antes de sustituir los cepillos.

- 1 Vacíe el depósito de la solución. Abra la tapa del depósito de recuperación. Levante el depósito de recuperación de la máquina, vacíelo y apártelo a un lado.
- 2 Inclíne la máquina hacia un lado.
- 3 Ver la Figura 9. Gire el cepillo hasta que la lengüeta de transmisión (N) esté en una posición en la cual una de las dos aletas esté mirando hacia fuera (la lengüeta de transmisión está perpendicular a la parte inferior de la base).
- 4 Agarre el cepillo en el extremo con la pinza de sujeción del cepillo (P) y tire hacia fuera.
- 5 Instale un nuevo cepillo en el extremo de la lengüeta de transmisión y, a continuación, introduzca el otro extremo del cepillo hasta que encaje dentro de la pinza de sujeción.

FIGURA 8

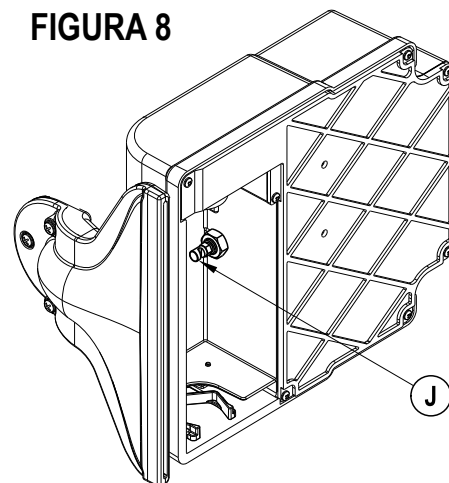
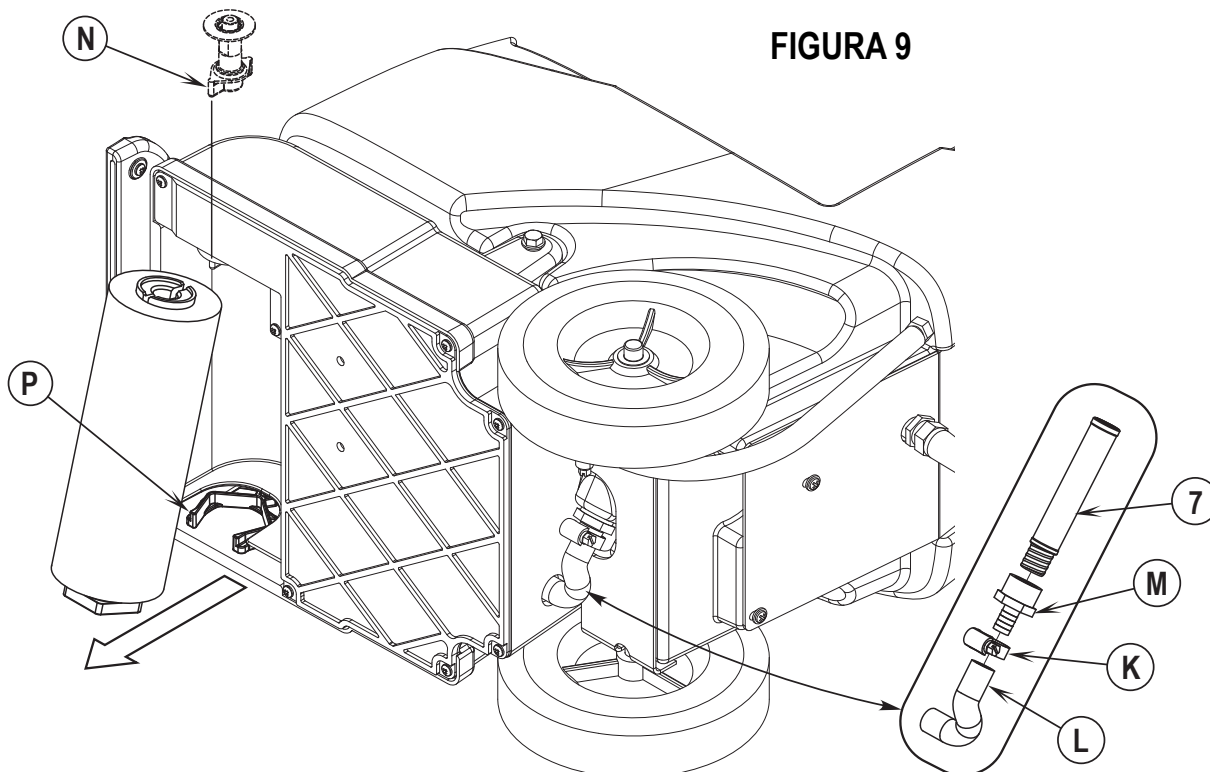


FIGURA 9



LOCALIZACIÓN DE AVERÍAS

Si las posibles causas indicadas a continuación no son el origen del problema, éste es un síntoma de algo más grave. Póngase en contacto inmediatamente con su Centro de Servicio Clarke.

DESCONEXIÓN DEL DISYUNTOR

El disyuntor (D) se encuentra situado en el panel de control; protege el circuito eléctrico y el motor del cepillo de daños debidos a condiciones de sobrecarga. Si se produce la desconexión del disyuntor, intente averiguar la causa.

Posibles causas de desconexión del disyuntor del cepillo (3 A):

- 1 Residuos atascados en la transmisión del cepillo (retire los residuos)
- 2 Cortocircuito eléctrico (revise la máquina en un Centro de Servicio Clarke o consulte a un electricista cualificado)

Una vez corregido el problema, pulse el botón para volver a conectar el disyuntor. Si el botón no queda pulsado, espere 5 minutos e inténtelo de nuevo. Si el disyuntor se desconecta una y otra vez, póngase en contacto con su Centro de Servicio Clarke.

MALA RECOGIDA DEL AGUA

Posibles causas:

- 1 Depósito de recuperación lleno (vacíe el depósito de recuperación)
- 2 La tubería de recuperación está torcida o dañada (sustituya la tubería)
- 3 Fuga en la junta de la tapa del depósito de recuperación (sustituya la junta)
- 4 Residuos atrapados en la zapata de aspiración o en la tubería de recuperación (limpie la zapata de aspiración y la tubería de recuperación)

FLUJO DE SOLUCIÓN INADECUADO

Posibles causas:

- 1 Depósito de solución vacío (llene el depósito de solución)
- 2 Cribas o tuberías de la solución obstruidas (lave las tuberías y las cribas)

ESPECIFICACIONES TÉCNICAS (según la instalación y comprobaciones de la unidad)

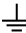
Modelo		Clean Track® 12
Nº Modelo		56265230
Voltaje/frecuencia	V/Hz	120 / 50-60
Corriente nominal	Amp	8
Clase de protección (eléctrica)		
Grado protección		--
Nivel de ruido (ISO 11201)	dB (A)/20µPa	75
Peso total	lbs / kg	67 / 30
Vibración en los controles manuales (ISO 5349-1)	m/s ²	0.87m/s ²
Capacidad del depósito de solución		5 gal (19l)

TABLE DES MATIÈRES

	Page
Introduction	C-1
Pièces et service après-vente	C-1
Plaque d'identification.....	C-1
Déballage de la machine	C-1
Consignes de prudence et de sécurité	C-2
Instructions de mise à la terre	C-3
 Apprenez à connaître votre machine	 C-4 – C-5
 Préparation de la machine	
Remplissage du réservoir de solution	C-6
Avant l'utilisation	C-6
Prévaporisation du tapis	C-6
Plan de nettoyage.....	C-6
 Fonctionnement	
Fonctionnement de la machine	C-7
Utilisation des accessoires	C-7
 Après utilisation	
Après utilisation de la machine.....	C-8
 Maintenance	
Calendrier d'entretien	C-8
Maintenance de l'embout d'aspiration	C-8
Maintenance du gicleur	C-9
Maintenance de la grille de solution	C-9
Maintenance du cordon d'alimentation.....	C-9
Maintenance de la brosse mécanique.....	C-9
Enlèvement de la brosse	C-9
 Dépannage	 C-10
Spécifications techniques.....	C-10

INTRODUCTION

Ce mode d'emploi vous permettra d'exploiter au maximum les fonctionnalités de votre extracteur Clarke®. Lisez-le donc attentivement avant d'utiliser votre machine.

Ce produit est uniquement destiné à un usage commercial.

PIECES ET SERVICE APRES-VENTE

Si nécessaire, les réparations doivent être effectuées par votre centre de service Clarke agréé. Ce dernier emploie du personnel formé en usine et maintient un inventaire des pièces de rechange et des accessoires originaux Clarke.

Pour tout entretien ou réparation, contactez le REVENDEUR CLARKE mentionné ci-dessous. Veuillez spécifier le modèle et le numéro de série de votre machine dans toute communication sur votre machine.

(Revendeur, apposez votre autocollant ici.)

PLAQUE D'IDENTIFICATION

Le modèle et le numéro de série de votre machine figurent sur la plaque d'identification située derrière, à la base de la machine. Ces informations sont nécessaires lors de la commande de pièces détachées pour votre machine. Utilisez l'espace disponible ci-dessous pour consigner ces renseignements en vue d'une utilisation ultérieure.

MODELE _____

NUMERO DE SERIE _____

DEBALLAGE DE LA MACHINE

Lors de la livraison de la machine, veuillez inspecter soigneusement le carton de conditionnement et la machine elle-même afin de déceler tout dégât éventuel. En cas de dommage manifeste, conservez le carton de conditionnement afin d'en permettre l'inspection. Le cas échéant, prenez immédiatement contact avec le service clientèle de Clarke afin de faire une déclaration de dégât de fret.

CONSIGNES DE SECURITE IMPORTANTES

Cette machine est destinée à un usage commercial et peut entre autres être utilisée dans les hôtels, écoles, hôpitaux, magasins et bureaux. Elle n'a donc pas été conçue pour l'entretien ménager.

Lorsque vous utilisez un appareil électrique, il y a certaines règles de base que vous devez toujours observer, dont celle énoncée ci-après.



Lire toutes les instructions avant d'utiliser l'appareil.

⚠ DANGER: Si une consigne DANGER figurant dans ce manuel d'utilisation ou sur l'appareil n'est pas respectée ou suivie, des blessures graves, voire mortelles, peuvent vous arriver ainsi qu'à d'autres personnes. Lisez et observez toutes les consignes DANGER apparaissant sur l'appareil ou dans votre manuel d'utilisation.

⚠ AVERTISSEMENT: Si une consigne AVERTISSEMENT figurant dans ce manuel d'utilisation ou sur l'appareil n'est pas respectée ou suivie, des blessures peuvent vous arriver ainsi qu'à d'autres personnes. Lisez et observez toutes les consignes AVERTISSEMENT apparaissant sur l'appareil ou dans votre manuel d'utilisation.

⚠ ATTENTION: Si une consigne ATTENTION figurant dans ce manuel d'utilisation ou sur l'appareil n'est pas respectée ou suivie, vous risquez d'endommager l'appareil et de causer divers dommages matériels. Lisez et observez toutes les consignes ATTENTION apparaissant sur l'appareil ou dans votre manuel d'utilisation.

⚠ ATTENTION! Afin de réduire les risques d'incendie, de décharge électrique ou de blessure:

1. Ne laissez pas l'appareil branché sur le secteur. Débranchez-le lorsque vous ne l'utilisez pas et avant de procéder à son entretien.
2. Afin d'éviter tout risque de décharge électrique, n'exposez pas l'appareil à la pluie. Rangez la machine à l'intérieur.
3. Ne permettez pas qu'on l'utilise comme un jouet. Faites très attention lorsque l'appareil est utilisé à proximité d'enfants.
4. N'utilisez cet appareil que tel qu'il est décrit dans ce manuel. N'utilisez que les accessoires recommandés par le fabricant.
5. N'utilisez pas l'appareil si le cordon ou la prise sont endommagés. Si l'appareil ne fonctionne pas correctement, est tombé, endommagé, resté à l'extérieur, voire tombé dans l'eau, renvoyez-le au centre d'entretien.
6. Ne tirez et ne portez pas l'appareil par le cordon électrique. Ne l'utilisez pas non plus comme poignée et ne l'enroulez pas autour d'objets pointus ou tranchants. Evitez également de refermer une porte sur le cordon. Evitez de faire rouler l'appareil sur le cordon. Gardez le cordon à l'écart de toute surface chauffée.
7. Ne débranchez pas l'appareil en tirant sur le cordon. Pour ce faire, saisissez la prise et non le cordon.
8. Ne manipulez pas la prise, le cordon ou l'appareil avec les mains humides.
9. N'introduisez aucun objet dans les ouvertures de l'appareil. N'utilisez pas l'appareil si l'une de ses ouvertures est bloquée. Veillez à ce que rien ne réduise le flux d'air : poussières, cheveux, peluches, etc.
10. Prenez toutes les mesures nécessaires pour éviter que les cheveux, doigts, bijoux ou vêtements amples ne soient entraînés dans les parties mobiles de la machine ou pris dans une de ses ouvertures.
11. N'aspirez aucun objet brûlant ou fumant tel que des cigarettes, des allumettes, des cendres chaudes, ni aucune poussière nuisible à la santé.
12. Coupez toutes les commandes avant de débrancher l'appareil.
13. Faites très attention lorsque vous nettoyez les escaliers.
14. N'utilisez pas la machine pour ramasser des liquides inflammables ou combustibles tels que l'essence ou à proximité de telles substances.
15. Si de la mousse ou du liquide s'échappe avec l'air évacué, coupez immédiatement l'interrupteur principal. Adressez-vous à Clarke si le problème persiste.
16. Tout liquide éjecté du gicleur peut être dangereux en raison de sa température, de sa pression ou de sa nature chimique.
17. Utilisez uniquement les brosses fournies avec l'appareil ou celles spécifiées dans le manuel d'instructions. L'utilisation d'autres brosses peut mettre la sécurité en péril.

CONSERVEZ SOIGNEUSEMENT CES INSTRUCTIONS

INSTRUCTIONS VISANT LA MISE À LA TERRE (120VAC)

Cet appareil doit être mis à la terre. En cas de défaillance ou de panne éventuelles, la mise à la terre fournit au courant un chemin de moindre résistance qui réduit le risque de choc électrique. Cet appareil est pourvu d'un cordon muni d'un conducteur de terre et d'une fiche avec broche de terre. La fiche doit être branchée dans une prise appropriée correctement installée et mise à la terre conformément aux règlements et ordonnances municipaux.

⚠ AVERTISSEMENT! Un conducteur de terre mal raccordé peut entraîner un risque de choc électrique. Consulter un électricien ou un technicien d'entretien qualifié si vous n'êtes pas certain que la prise est correctement mise à la terre. Ne pas modifier la fiche fournie avec l'appareil - si elle ne peut être insérée dans la prise, faire installer une prise adéquate par un électricien qualifié.

Cet appareil est destiné à un circuit de 120 V et est muni d'une fiche de terre semblable à celle illustrée par le croquis 1. Un adaptateur temporaire semblable à celui illustré par le croquis 2 et C peut être utilisé pour brancher cette fiche à une prise bipolaire comme l'illustre le croquis 2 si une prise avec mise à la terre n'est pas disponible. L'adaptateur temporaire devrait être utilisé seulement jusqu'à ce qu'une prise avec mise à la terre soit installée par un électricien qualifié. L'oreille rigide ou le crochet ou autre dispositif semblable, de couleur verte, prolongeant l'adaptateur doit être raccordé à un élément correctement mis à la terre comme le couvercle d'une boîte de sortie mise à la terre. L'adaptateur doit être fixé par une vis métallique. **Note:** Au Canada, l'utilisation d'un adaptateur temporaire n'est pas autorisée par le *Code canadien de l'électricité*.

Remplacez la prise si la prise de terre est abîmée ou cassée.

Le fil Vert (ou Vert/Jaune) dans la gaine est le fil de terre. Lors du remplacement d'une prise, ce fil doit être raccordé à la prise de terre uniquement.

Les ralonges connectées à cette machine doivent avoir 12 mesures, trois ganses de fil ayant **trois fiches masculines féminines tree-prong plugs and outlets**. N'UTILISEZ PAS de ralonge de plus de 15 m (50 pieds) de long.

VEUILLEZ NOTER: CES INSTRUCTIONS CONCERNENT UNIQUEMENT L'AMÉRIQUE DU NORD

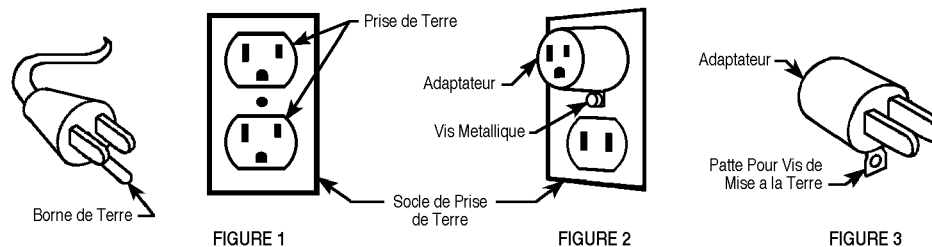


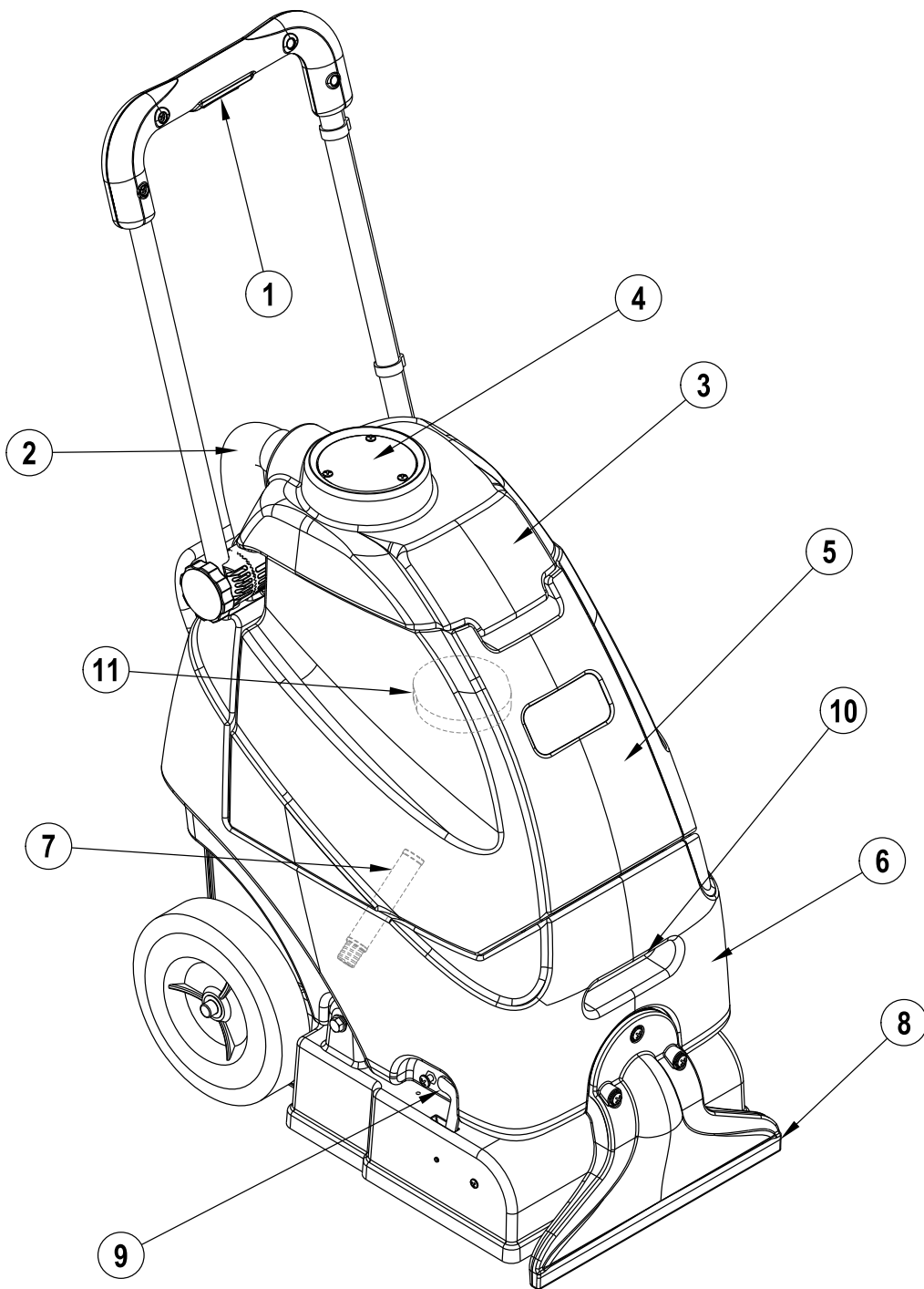
FIGURE 1

FIGURE 2

FIGURE 3

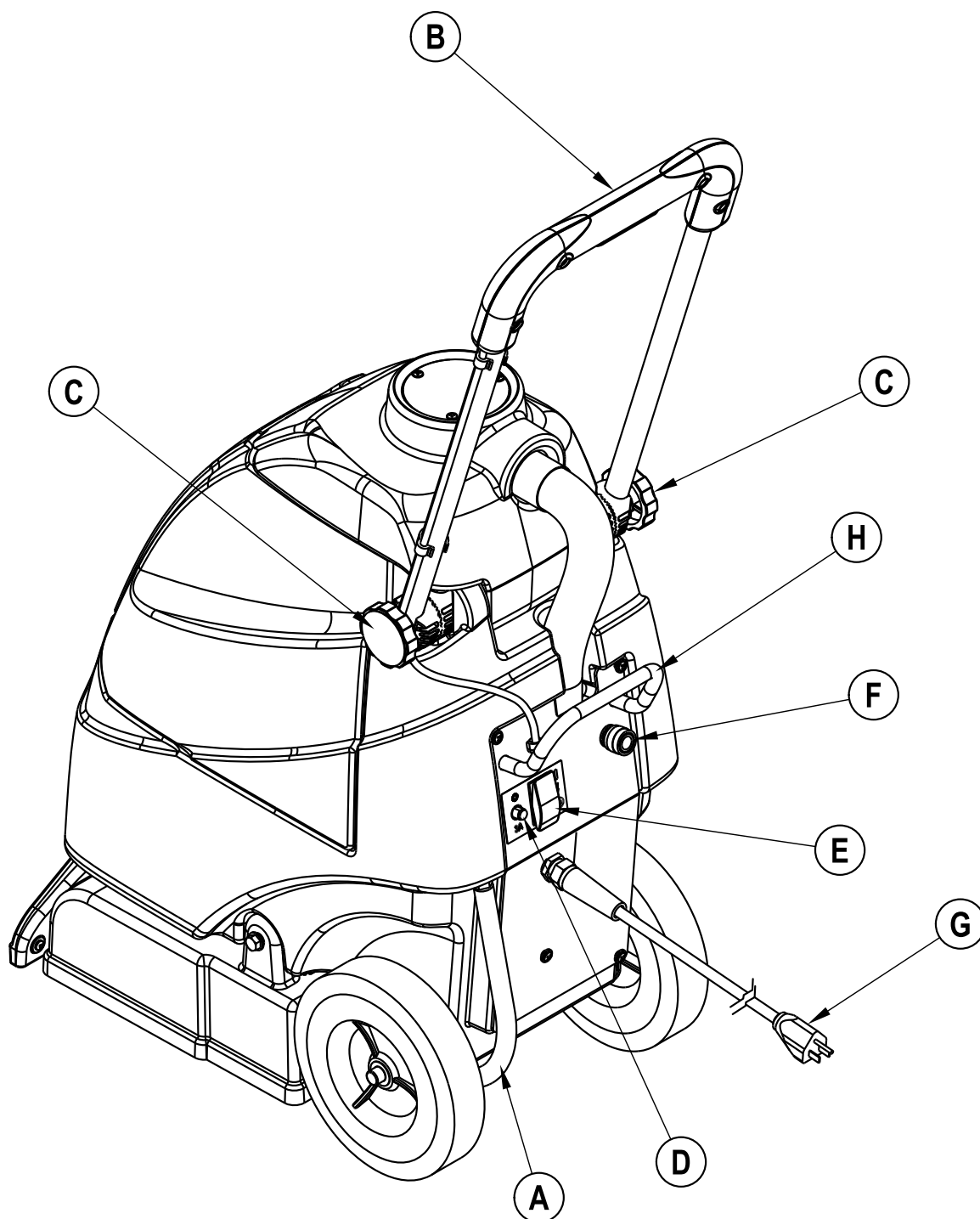
APPRENEZ À CONNAÎTRE VOTRE MACHINE

- 1 Interrupteur du moteur de la brosse/solution
- 2 Tuyau de récupération
- 3 Capot du réservoir de récupération
- 4 Hublot du capot
- 5 Réservoir de récupération
- 6 Réservoir de solution
- 7 Filtre de solution
- 8 Embout d'aspiration
- 9 Levier de position de rangement de la brosse
- 10 Point de levage
- 11 Filtre de moteur à dépression



APPRENEZ À CONNAÎTRE VOTRE MACHINE (SUITE)

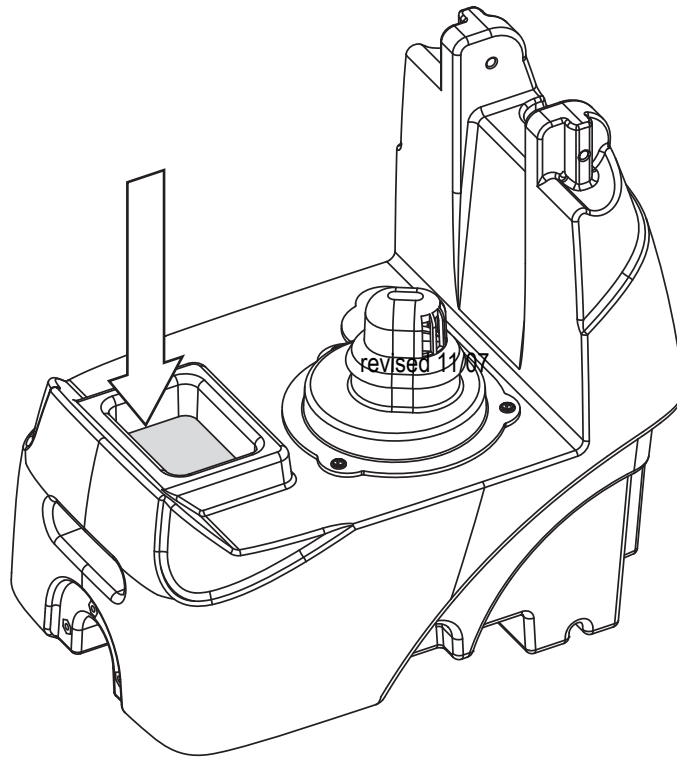
- A Indicateur de niveau/tuyau de vidange de la solution
- B Ensemble poignée
- C Boutons de réglage de la poignée
- D Disjoncteur du moteur de brosse
- E Interrupteur d'alimentation
- F Orifice de solution accessoire
- G Cordon d'alimentation
- H Poignée de levage



PRÉPARATION DE LA MACHINE**REPLISSAGE DU RÉSERVOIR DE SOLUTION**

- 1 Mettez l'interrupteur d'alimentation sur OFF (O), puis débranchez la machine.
- 2 Ouvrez le capot du réservoir de récupération (3). Soulevez le réservoir de récupération (5) de la machine et déplacez-le sur le côté.
- 3 Lisez les instructions de dilution figurant sur le récipient d'agent chimique. Calculez ensuite la quantité appropriée d'agent chimique à mélanger avec la capacité en eau du réservoir de solution de votre machine : 19 litres (5 gallons).
- 4 Versez l'agent chimique dans le réservoir de solution (6) et remplissez-le d'eau chaude (température maximale 54°C/130°F). **REMARQUE :** veillez à ne pas faire déborder le réservoir de solution. Le point de remplissage maximal est lorsque le niveau de la solution atteint le bas de la lèvre de l'ouverture du réservoir. Voir figure 4.
- 5 Remplacez le réservoir de récupération sur la machine. **REMARQUE :** veillez à placer correctement le réservoir de récupération sur le réservoir de solution. Refermez le capot du réservoir de récupération.

⚠ ATTENTION! N'utilisez que des détergents liquides peu moussants conçus pour l'extraction sur les tapis.

FIGURE 4**AVANT D'UTILISER L'CLEAN TRACK® 12**

Aspirez à fond le tapis à nettoyer avant d'utiliser l'extracteur automatique Clean Track® 12.

PRÉVAPORISATION DU TAPIS

Prévaporisez les taches et les zones de forte circulation avant l'extraction. Utilisez un vaporisateur à main ou pressurisé. Préparez le mélange de prévaporisation selon les indications du fabricant de produits chimiques.

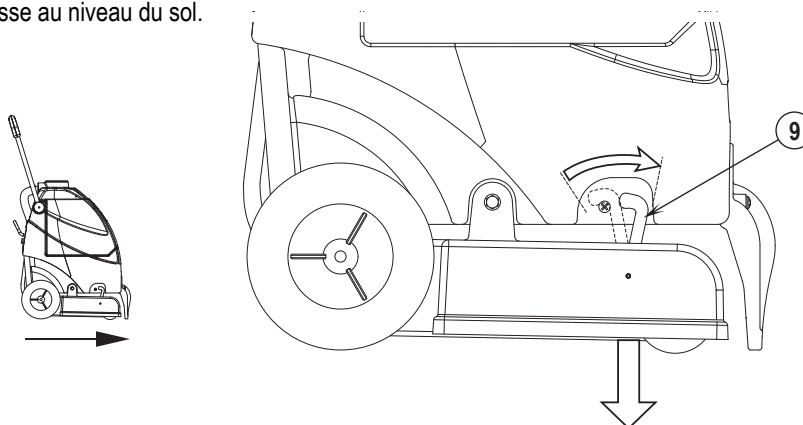
PLAN DE NETTOYAGE

Avant de commencer l'extraction, examinez la zone à nettoyer et planifiez votre travail. Divisez l'espace en sections. Chaque passe doit se chevaucher de 5 cm.

FONCTIONNEMENT DE LA MACHINE

- 1 Conformez-vous aux instructions figurant à la section *Préparation de la machine* du présent manuel.
- 2 Voir Figure 5. Poussez le levier de position de rangement de la brosse (9) vers l'avant pour que la machine ne soit plus en position de stockage et faire descendre la brosse au niveau du sol.

FIGURE 5



- 3 Desserrez les boutons de réglage de hauteur de la poignée (C) et réglez la hauteur de la poignée à la position la plus confortable pour l'opérateur. Resserrez les boutons après avoir réglé la hauteur désirée.
- 4 Branchez la machine sur une prise de courant correctement reliée à terre. Pour mettre en marche le moteur d'aspiration et activer la pompe de solution, mettez l'interrupteur d'allumage (E) sur la position ON (I).
- 5 Maintenez enfoncé l'interrupteur du moteur de la brosse/solution (1) afin de mettre en marche le moteur de la brosse et que la solution se déverse. En relâchant l'interrupteur de la brosse/solution (1), le moteur de la brosse s'arrête et la solution cesse de s'écouler. Le moteur d'aspiration continue à tourner tant que l'interrupteur d'allumage est sur la position ON (I).
- 6 Procédez au nettoyage en tirant la machine le long d'une ligne droite et en veillant à ce que les passages se chevauchent sur environ 5 cm. Relâchez l'interrupteur de la brosse/solution (1) afin d'extraire complètement la solution du tapis.
- 7 Surveillez le fluide entrant par le hublot du capot du réservoir de récupération (4). S'il y a beaucoup de mousse dans le réservoir de récupération, ajoutez-y un agent antimousse.

⚠ ATTENTION! Videz le réservoir de récupération avant que le fluide ou la mousse ne parvienne au moteur d'aspiration.

S'il n'y a que peu ou pas de fluide qui entre dans le réservoir de récupération, vérifiez l'indicateur de niveau / tuyau de vidange de la solution (A), le réseau de solution pourrait être vide. Remplissez le réservoir de solution avec de l'eau et la proportion correcte de produit de nettoyage. Videz le réservoir de récupération à chaque fois qu'il est nécessaire de remplir le réservoir de solution.

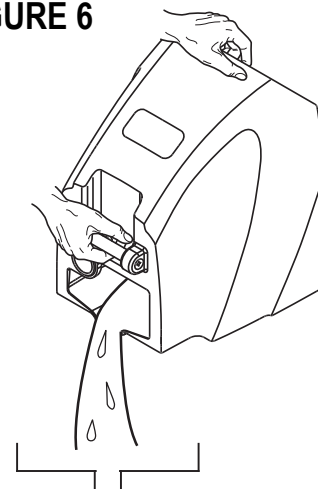
- 8 Lorsque le liquide atteint le niveau maximal, videz le réservoir de récupération.

⚠ ATTENTION! Ne continuez pas l'extraction une fois que le réservoir de récupération est plein.

La machine risque de continuer à faire couler de la solution et continuera à ramasser la solution, même si le réservoir de récupération est plein. Cela risque d'endommager le moteur d'aspiration. Si vous utilisez l'extracteur pour ramasser de la solution qui se trouve déjà sur le sol sans faire couler de solution, vérifiez régulièrement le niveau de solution dans le réservoir de récupération. Ouvrez le capot du réservoir de récupération pour vérifier le niveau de solution dans le réservoir de récupération.

- 9 Lorsque l'opérateur souhaite arrêter de nettoyer ou lorsque le réservoir de récupération est plein, il doit relâcher l'interrupteur de la brosse/solution (1). Mettez ensuite l'interrupteur d'alimentation sur OFF (O), puis débranchez la machine. Enroulez le cordon et placez-le autour de l'ensemble poignée (B).
- 10 Poussez la machine vers un « SITE D'EVACUATION » des eaux usées et videz le réservoir de récupération. Pour vider le réservoir de récupération, ouvrez le couvercle du réservoir et retirez-le de la machine. Saisissez le réservoir de récupération comme indiqué à la Figure 6 et videz-le. Remplissez à nouveau le réservoir de solution et poursuivez le nettoyage.

FIGURE 6



UTILISATION DES ACCESSOIRES

Pour utiliser les outils accessoires, débranchez le tuyau de récupération au niveau du capot du réservoir de récupération (3). Branchez le tuyau de récupération de l'accessoire sur le capot, à la place du tuyau de récupération de la machine. Branchez le tuyau de récupération de l'accessoire (conduite d'eau) sur l'orifice de solution accessoire (F) de la machine.

Consultez votre distributeur Clarke concernant les accessoires qui peuvent être utilisés avec le *Clean Track*® 12.

APRÈS UTILISATION DE LA MACHINE

- 1 Mettez l'interrupteur d'alimentation sur OFF (O). Débranchez le cordon d'alimentation (G). Enroulez le cordon et suspendez-le au crochet.
- 2 Pour vider le réservoir de solution, retirez le tuyau de vidange (A) du raccord fileté supérieur du tuyau. Dirigez le tuyau sur un « SITE D'EVACUATION » des eaux usées désigné. Rincez le réservoir à l'eau claire. Vérifiez les tuyaux de solution et remplacez-les s'ils sont endommagés ou présentent une quelconque anomalie.
- 3 Pour vider le réservoir de récupération, ouvrez le couvercle du réservoir et enlevez le réservoir de récupération (5) de la machine. Videz le réservoir dans un « SITE D'EVACUATION » des eaux usées approprié. Rincez le réservoir à l'eau claire. Vérifiez les tuyaux de récupération et remplacez-les s'ils sont endommagés ou présentent une quelconque anomalie.
- 4 Retirez la brosse, rincez à l'eau chaude et ôtez tous les fils, cheveux et fibres de tapis amassés.
- 5 Débranchez le tuyau de récupération (2) du capot du réservoir de récupération (3) et rincez à l'eau chaude pour évacuer tous les débris du tuyau de récupération et de l'embout d'aspiration.
- 6 Essuyez la machine avec une patte humide. N'utilisez pas de produits chimiques abrasifs ou de solvants.
- 7 Avant de ranger la machine, effectuez toutes les tâches de maintenance nécessaires.

CALENDRIER D'ENTRETIEN

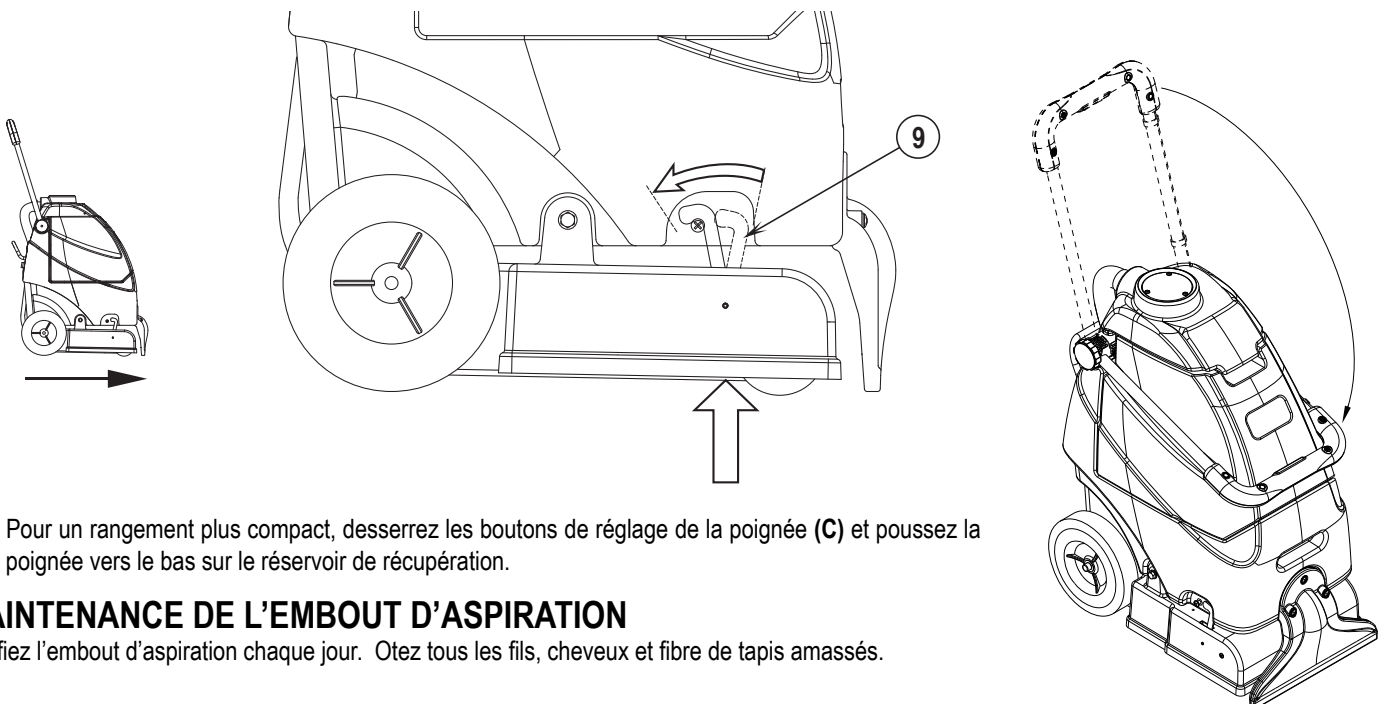
ELEMENT	Chaque jour	Chaque semaine	Chaque mois	Chaque année
Vérification / nettoyage de la brosse mécanique	•			
Vérification / nettoyage des réservoirs et tuyaux	•			
Nettoyage de l'embout d'aspiration	•			
Vérification/nettoyage du ou des filtres en mousse du moteur d'aspiration	•			
Inspection et nettoyage du filtre de solution		•		
Nettoyage du gicleur			•	
* Vérification des balais de carbone				•

* Demandez à un technicien d'entretien Clarke de vérifier les balais de carbone du moteur d'aspiration une fois par an ou toutes les 300 heures de fonctionnement. Les balais de carbone des moteurs de brosses doivent être vérifiés une fois par an ou toutes les 500 heures de fonctionnement.

⚠ IMPORTANT! Les dommages occasionnés au moteur suite à un manque d'entretien des balais de carbone ne sont pas couverts par la garantie. Consultez la Déclaration responsabilité limitée.

- 8 Rangez la machine à l'intérieur, dans un endroit sec et propre, le capot du réservoir ouvert. Gardez-la à l'abri du gel.
- 9 Mettez la machine en position de stockage. Cela empêchera la brosse de s'abîmer et augmentera la durée de vie de la brosse tout en conservant son efficacité. Voir Figure 7. Soulevez la base de la machine et positionnez le levier de position de rangement de la brosse (9) vers l'arrière afin de fixer la base en position de rangement.

FIGURE 7



Pour un rangement plus compact, desserrez les boutons de réglage de la poignée (C) et poussez la poignée vers le bas sur le réservoir de récupération.

MAINTENANCE DE L'EMBOUT D'ASPIRATION

Vérifiez l'embout d'aspiration chaque jour. Ôtez tous les fils, cheveux et fibre de tapis amassés.

MAINTENANCE DU GICLEUR

Retirez le gicleur (J) une fois par mois. Voir Figure 8. Laissez tremper le gicleur toute une nuit dans du vinaigre afin d'éliminer les dépôts chimiques.

MAINTENANCE DU FILTRE DE SOLUTION

Une fois par semaine (ou plus souvent si nécessaire), nettoyez le filtre de solution (7). Videz le réservoir de solution. Soulevez le réservoir de récupération de la machine et déplacez-le sur le côté. Voir Figure 9. Faites basculer la machine sur le côté. Desserrez l'étrier du tuyau (K) et retirez le tuyau (L) du raccord fileté du tuyau (M). Dévissez le raccord fileté du tuyau (M) de la machine afin d'accéder au filtre (7).

MAINTENANCE DU CORDON D'ALIMENTATION

Une fois par semaine (ou plus souvent si nécessaire), vérifiez le cordon d'alimentation : l'isolation ne présente aucune craquelure ou autre endommagement, il n'y a pas de fils dénudés dans le cordon ou la fiche, les broches sont pas endommagées et celle de mise à terre est présente. Réparez ou remplacez **immédiatement** le cordon ou la fiche endommagés. Si le cordon d'alimentation est endommagé, remplacez-le par un cordon ou un assemblage spécial, disponible auprès du fabricant ou de ses agents de service.

MAINTENANCE DE LA BROSSE MÉCANIQUE

Vérifiez la brosse chaque jour. Otez tous les fils, cheveux et fibre de tapis amassés. Lorsque vous n'utilisez pas la machine, mettez-la en position de stockage (Figure 7). Cela empêchera la brosse de s'abîmer et augmentera la durée de vie de la brosse tout en conservant son efficacité.

ENLEVEMENT DE LA BROSSE

⚠ ATTENTION! Mettez l'interrupteur d'alimentation sur OFF (O) avant de changer les brosses.

- 1 Videz le réservoir de solution. Ouvrez le capot du réservoir de récupération. Soulevez le réservoir de récupération de la machine, videz-le et déplacez-le sur le côté.
- 2 Faites basculer la machine sur le côté.
- 3 Voir Figure 9. Faites pivoter la brosse de sorte que le moyeu d'entraînement (N) se trouve dans une position où les deux pattes sont tournées face à l'extérieur (le support d'entraînement est perpendiculaire au fond de la base).
- 4 Saisissez la brosse par l'extrémité engagée dans la pince de fixation (P) et tirez fermement pour dégager la brosse.
- 5 Montez une nouvelle brosse en insérant d'abord l'extrémité dans les pattes d'entraînement, puis en appuyant à l'autre extrémité jusqu'à l'engager complètement dans la pince de fixation.

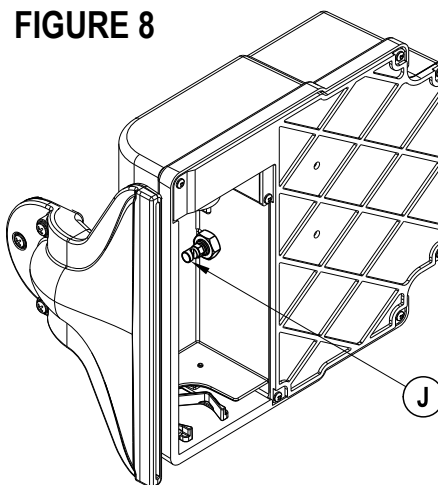
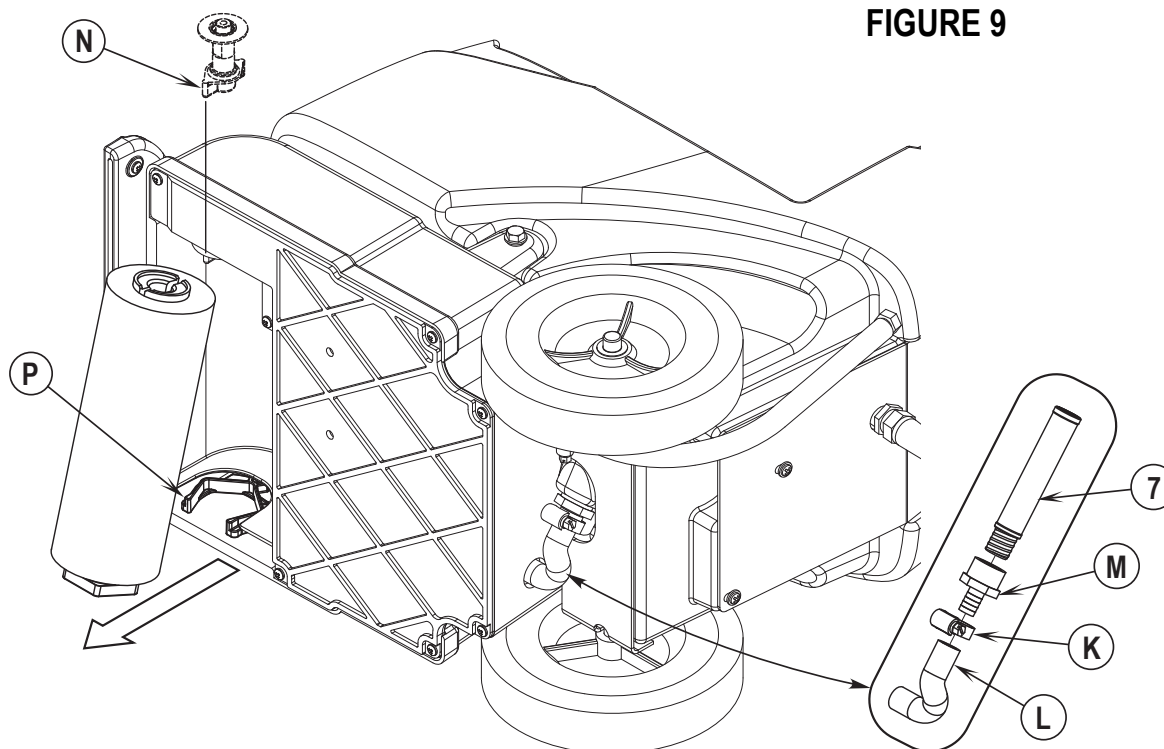


FIGURE 9



DÉPANNAGE

Si les causes énumérées ci-dessous ne sont pas à la source du problème, cela signifie que vous êtes confronté à une panne plus sérieuse. Prenez immédiatement contact avec votre centre de support Clarke.

DÉCLENCHEMENT DU DISJONCTEUR

Le disjoncteur (**D**) se trouve sur le panneau de commande ; il protège le circuit électrique et le moteur de la brosse contre les dommages provoqués par des conditions de surcharge. Si le disjoncteur déclenche, essayez d'en déterminer la cause.

Disjoncteur de la brosse (3 A). Causes probables :

- 1 Des débris sont enroulés autour de l'entraînement de la brosse (enlevez les débris)
- 2 Court-circuit électrique (appelez votre Centre de service Clarke ou un électricien qualifié pour qu'il vérifie la machine)

Une fois le problème résolu, appuyez sur le bouton pour réarmer le disjoncteur. Si le bouton ne reste pas armé, attendez 5 minutes, puis essayez à nouveau. Si le disjoncteur déclenche plusieurs fois de suite, contactez votre Centre de service Clarke.

MAUVAISE RÉCUPÉRATION DE L'EAU

Causes probables :

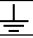
- 1 Le réservoir de récupération est plein (videz le réservoir de récupération)
- 2 Le tuyau de récupération est tordu ou endommagé (remplacez le tuyau)
- 3 Fuite au niveau du joint du capot du réservoir de récupération (remplacez le joint)
- 4 Des débris sont coincés dans l'embout d'aspiration ou le tuyau de récupération (nettoyez l'embout d'aspiration et le tuyau de récupération)

FLUX DE SOLUTION INADÉQUAT

Causes probables :

- 1 Le réservoir de solution est vide (remplissez le réservoir de solution)
- 2 Les conduites ou le filtre de solution sont encrassés (rincez les conduites et le filtre)
- 3 Le sélecteur de gicleur est dans une position entre maintenance et restauration (tournez le bouton complètement à gauche ou à droite)

SPÉCIFICATIONS TECHNIQUES (suivant installation et tests effectués sur l'unité)

Modèle		Clean Track® 12
N° du modèle		56265230
Tension/fréquence	V/Hz	120 / 50-60
Courant nominal	Amp	8
Classe de protection (électrique)		
Indice de protection		--
Niveau de puissance acoustique (ISO 11201)	dB (A)/20µPa	75
Poids total	lbs/kg	67 / 30
Vibrations aux commandes manuelles (ISO 5349-1)	m/s ²	0.87m/s ²
Capacité du réservoir de solution		19 l

Clarke[®]

Clean Track[®]
12

Section II
Parts Manual

56041658

DESCRIPTION	PAGE
Back Panel Assembly.....	2-3
Base System.....	4-5
Brush System.....	6-7
Decal System.....	8-9
Handle System.....	10-11
Recovery System.....	11-13
Solution System.....	14-15
Wiring Diagram.....	16-17
Accessories.....	18

WHEN ORDERING PARTS

- * Use the part numbers from the "Ref. No." columns in this parts list.
- * Specify the model and serial number of the machine.
- * Use the space below to record the model and serial number for future reference.

Model _____ Serial No. _____

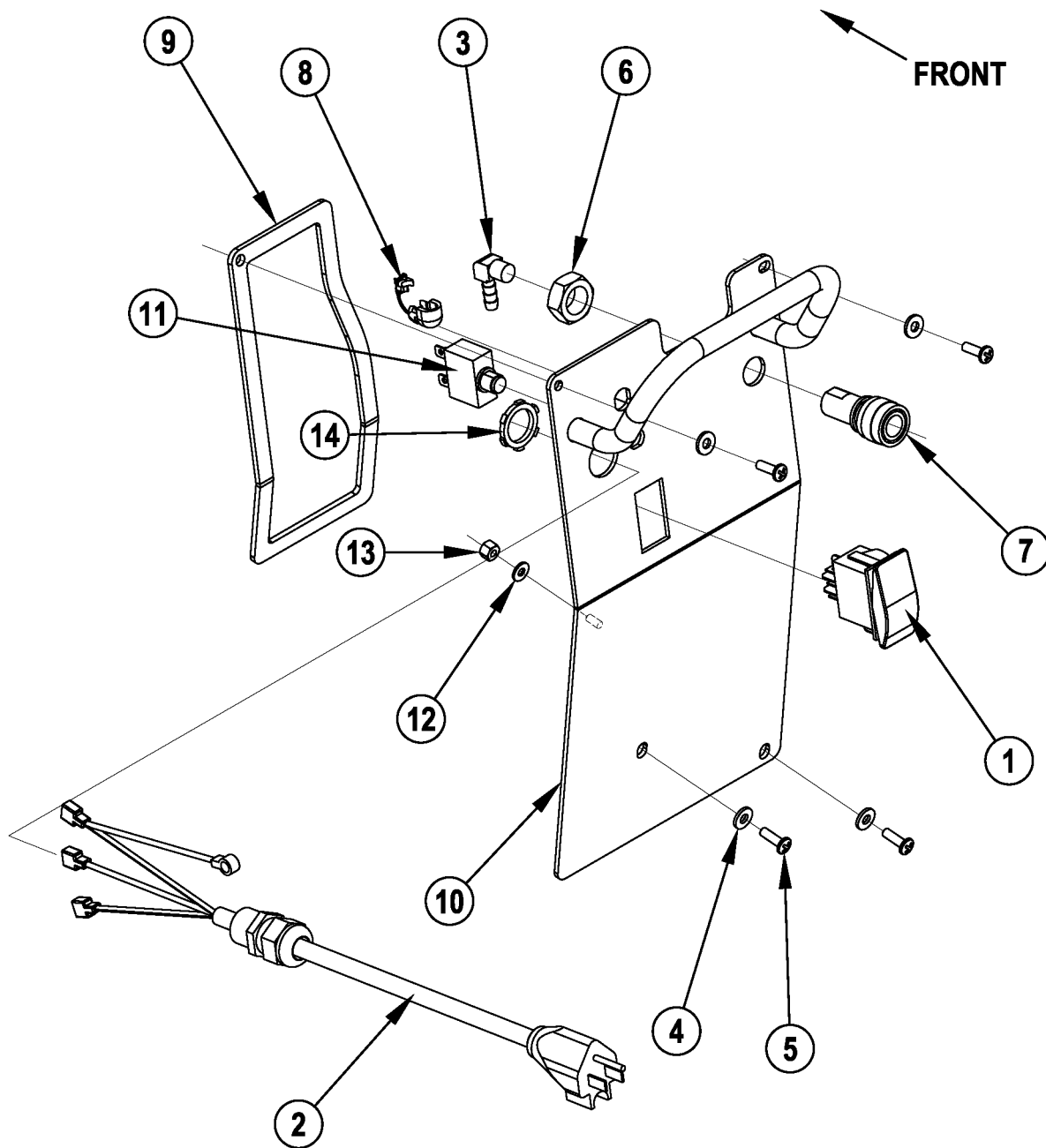
BACK PANEL ASSEMBLY

06-2

2

Clean Track® 12

07-8



06-2

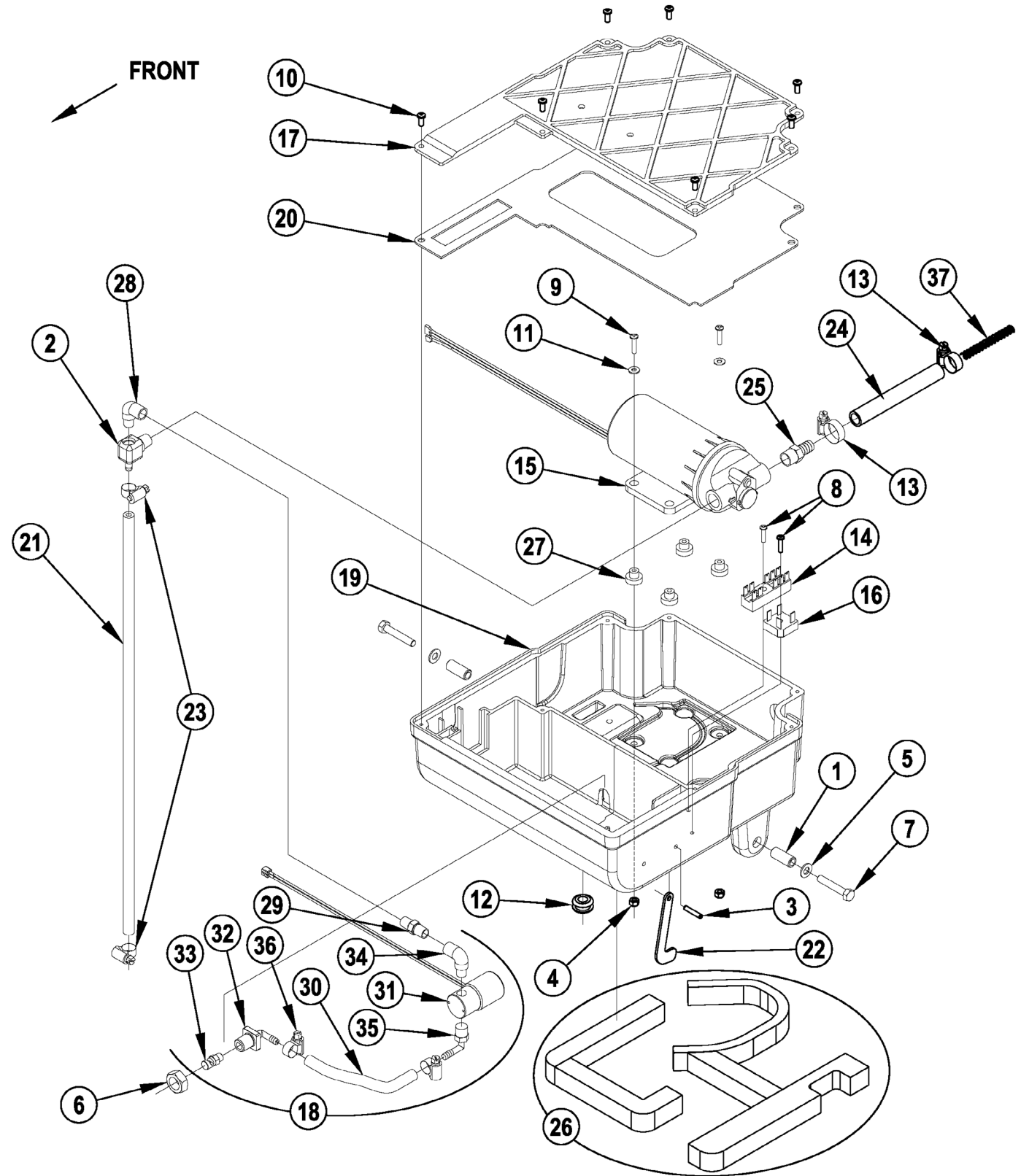
BACK PANEL ASSEMBLY

07-8

Clean Track® 12**3**

Item	Ref. No.	Qty	Description
1	56265107	1	Switch, Rocker
2	56316322	1	Cord, Power 16/3, SJT NOTE 1
3	56755726	1	Barb, Hose Male
4	56009205	4	Wsh, Flt SS .219 x .500 x .047/.062
5	56002896	4	Scr, Pan Phil SS 10-24 x .62
6	56009078	1	Nut, Hex Jam SS 5/8-18
7	56265208	1	Socket, 1/8 FPT
8	56265392	1	Strain Relief, .25-.29
9	56265325	1	Gasket, Back Panel
10	56265411	1	Weldment, Back Panel NOTE 1
11	56265379	1	Circuit Breaker W/Boot
12	56009010	1	Wsh, Int Shprt #8
13	56009148	1	Nut, Hex Machine 8-32
14	56009095	1	Nut, Conduit Lock 1/2-14

NOTE 1: 56265356 is obsolete and replaced by 56316322. 56265391 is obsolete and replaced by 56265411



06-2

BASE SYSTEM

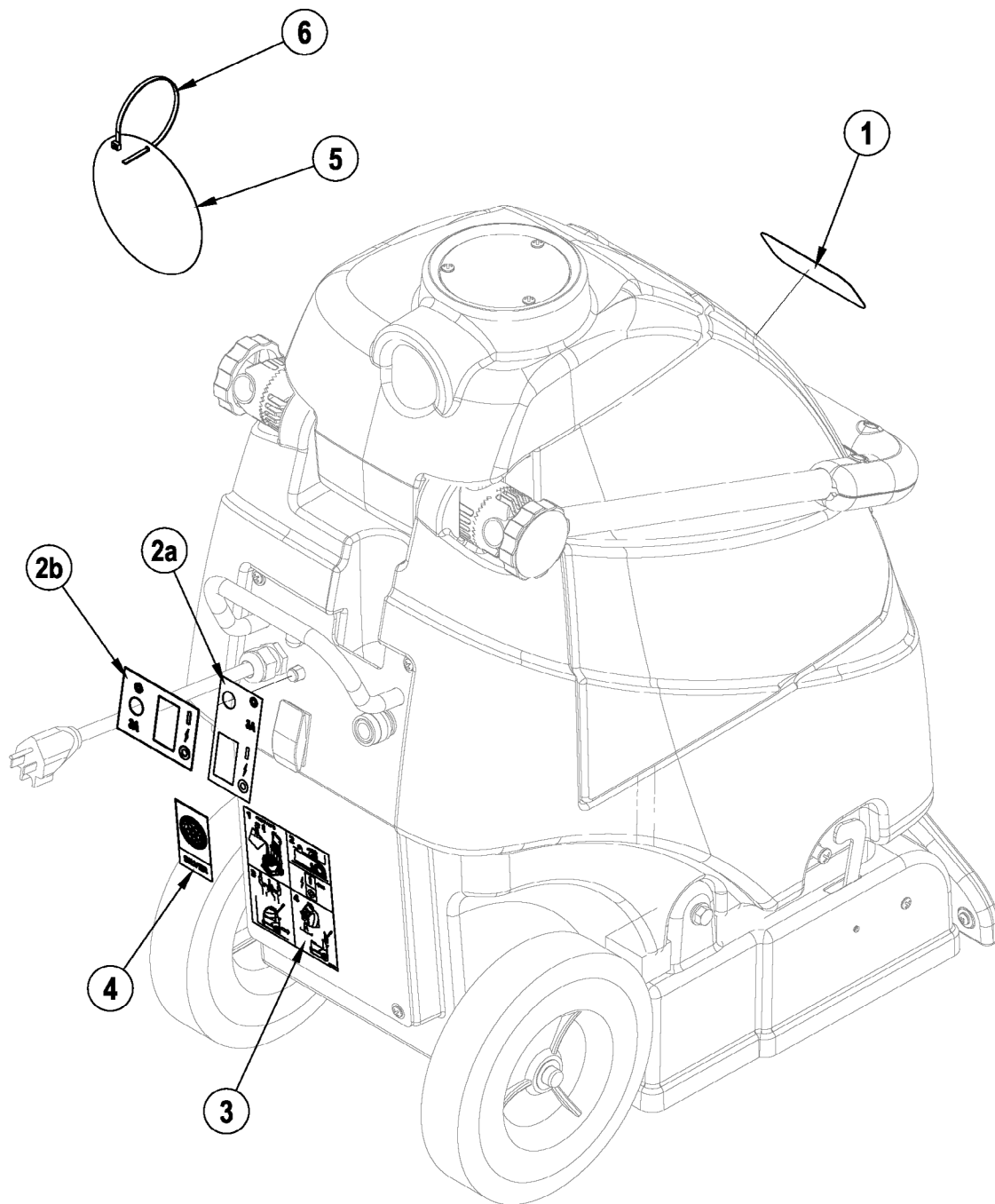
08-10

Clean Track® 12**5**

Item	Ref. No.	Qty	Description
1	56265393	2	Bushing .31 x .50 x 1.18
2	56264382	1	Adaptor, Barbed
3	56002082	1	Pin, Spr .19 x 1.00
4	56002836	2	Nut, Hex Nyl Loc SS 10-24
5	56002938	2	Wsh, Flt SAE SS 5/16
6	56003272	1	Nut, Hex Jam SS 5/8-11
7	56003333	2	Scr, Hex SS 5/16-18 x 1.75
8	56003545	2	Scr, Pan Phil Plastite 8-10 x .75
9	56003611	2	Scr, Pan Phil SS 10-24 x .88
10	56003711	7	Scr, Pan Phil SS Plastite 10-14 x .62
11	56009205	2	Wsh, Flt SS .219 x .500 x .047/.062
12	56050955	1	Grommet
13	56219932	2	Clamp, Hose SAE #6
14	56260071	1	Terminal Block
15	56265051	1	Pump 115V
	56265218	1	Pump Rebuild Kit (for use in 56265051)
16	56265103	1	Rectifier, 35 Amp
17	56265342	1	Base Panel
18	56265343	1	Valve, Nozzle Assembly (items 29-36)
19	56265358	1	Base, 12
20	56265367	1	Gasket, Base Panel
21	56265373	1	Hose, 1/4 x 21.00L
22	56265377	1	Hook, Base
23	56756364	2	Clamp, Hose SAE #4
24	56265245	1	Hose
25#	56109565	1	Barb, Adapter 1/2 x 3/8NPT
26	56265323	1	Muffler Set
27	56265399	4	Grommet
28	56369632	1	Elbow, 90 Street
29	56265219	1	Nipple, 1/4NPT x .88/1.12
30	56249342	1	Hose, Solution
31	56265037	1	Valve, Solenoid 115V
32	56265388	1	Elbow, Panel Mount
33	56265390	1	Nozzle
34	56369632	1	Elbow, 90 Street
35	56470138	1	Barb, 90 Elbow 1/4 x 1/4NPT
36	56756364	2	Clamp, Hose SAE #4
37	56265246	1	Spring, Comp .42 x 3.00 SS

= Revised or new since last update

Item	Ref. No.	Qty	Description
1	56265204	1	Bearing/Spindle Kit
	NA	1	Spindle, Drive
	NA	1	Washer, Bearing
	NA	1	Bearing, Block
	NA	1	Sheave Poly-V 6J17
	NA	1	Bearing, Ball
	NA	1	Bearing, Ball
2	56265344	1	Bracket, Motor Tension
3	56265340	1	Brush Assembly 12
4	56265077	1	Motor, 115V, 1/4 HP
5	56265370	1	Sheave, Poly-V
6	56265043	1	Clip, Brush Retainer
7	56002836	1	Nut, Hex Nyl Loc SS 10-24
8	56002894	1	Scr, Pan Phil SS 10-24 x .75
9	56003053	2	Nut, Hex Nyl Loc-Thin 10-32
10	56003424	2	Scr, Soc SS M6-1 x 20mm
11	56003426	2	Nut, Hex Nyl Loc SS M6-1
12	56009060	2	Wsh, Flt SS .260 x 1.000 x .074
13	56009131	2	Scr, Soc Set Loc 5/16-18 x .31
14	56249040	1	Belt, Poly V



06-2

DECAL SYSTEM

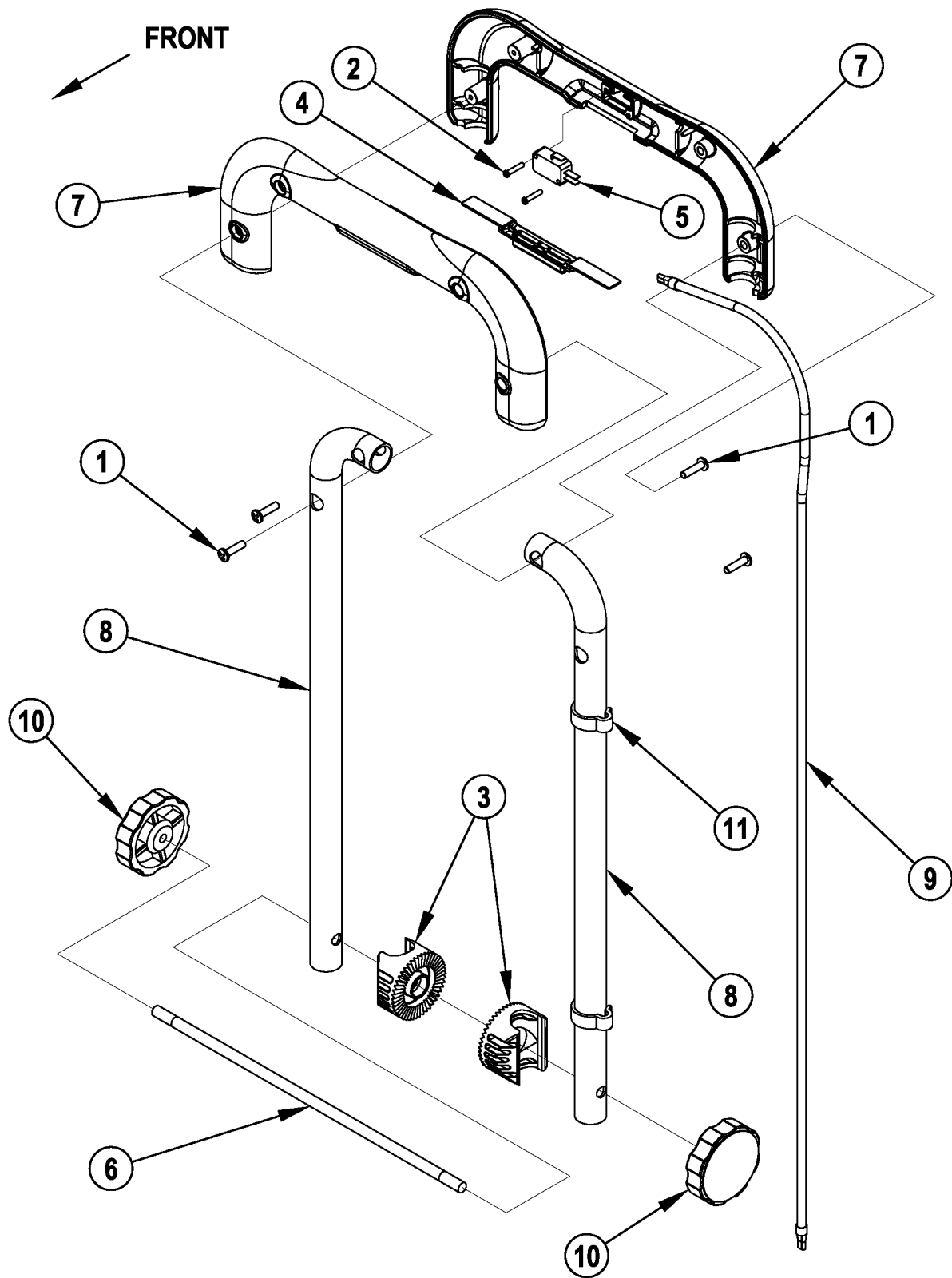
08-4

Clean Track® 12**9**

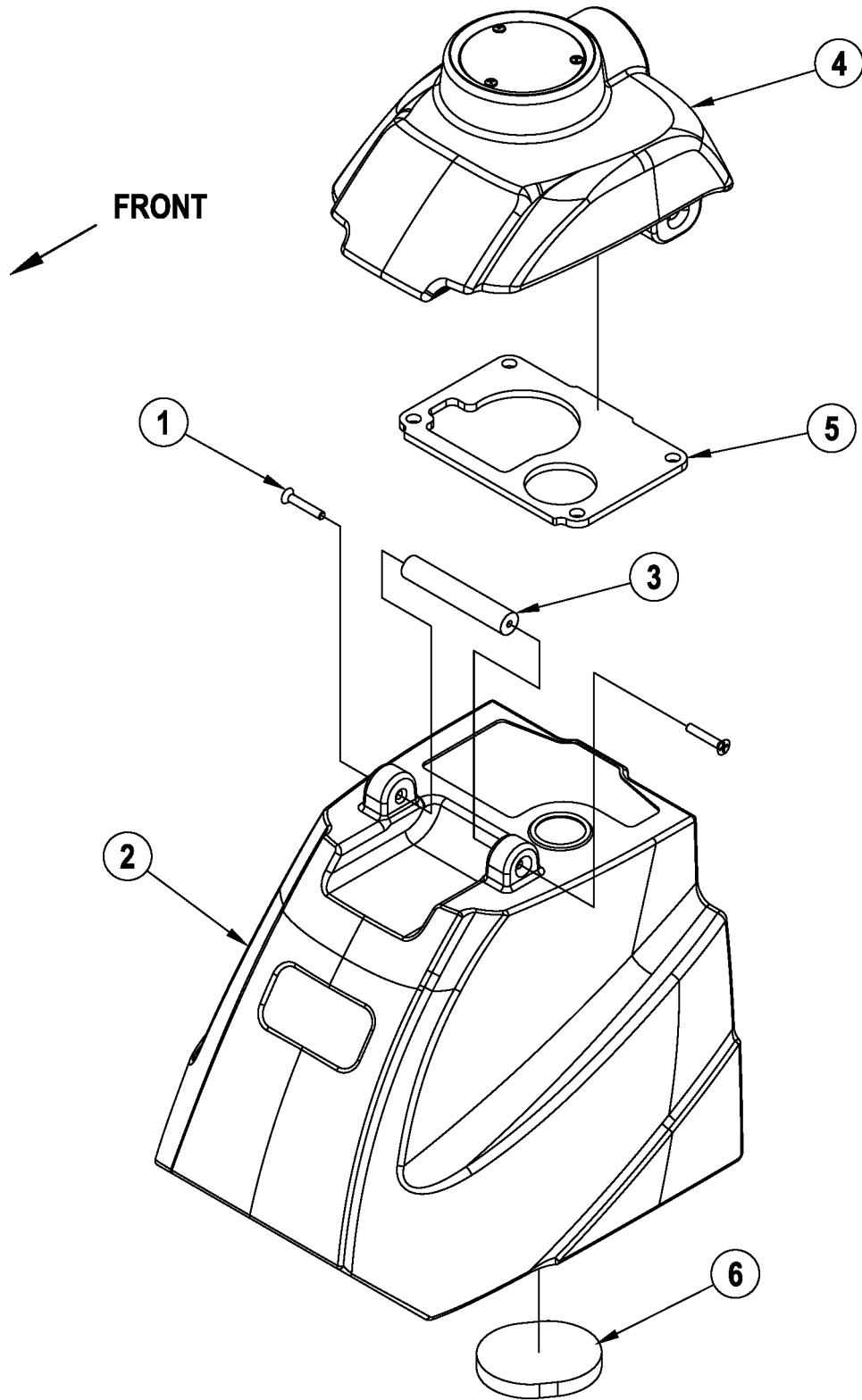
Item	Ref. No.	Qty	Description
1	56016745	1	Decal, Clarke
2a	56265310	1	Decal, Main NOTE 1
2b	56016771	1	Decal, Switch / Breaker NOTE 2
3	56016772	1	Decal, Operation Instructions
4	56317152	1	Decal, CRI Silver
5	56040958	1	Tag, CRI
6	56478523	1	Tie, Cable

NOTE 1: Only used after SN2012525

NOTE 2: Only used before SN2012526



Item	Ref. No.	Qty	Description
1	56002192	4	Scr, Pan Phil 10-24 x .75
2	56003092	2	Scr, Pan Phil Plastite 4-20 x .62
3	56264123	2	Ratchet
4	56265053	1	Button, Spray
5	56265098	1	Switch, SPDT Snapaction
6	56265357	1	Rod, Handle
7	56265374	2	Cover, Handle
8	56265375	2	Tube, Handle
9	56265385	1	Wire Assy, 20AWG/2cond
10	56302167	2	Knob
11	56344346	2	Clamp, Handle



06-2

RECOVERY SYSTEM

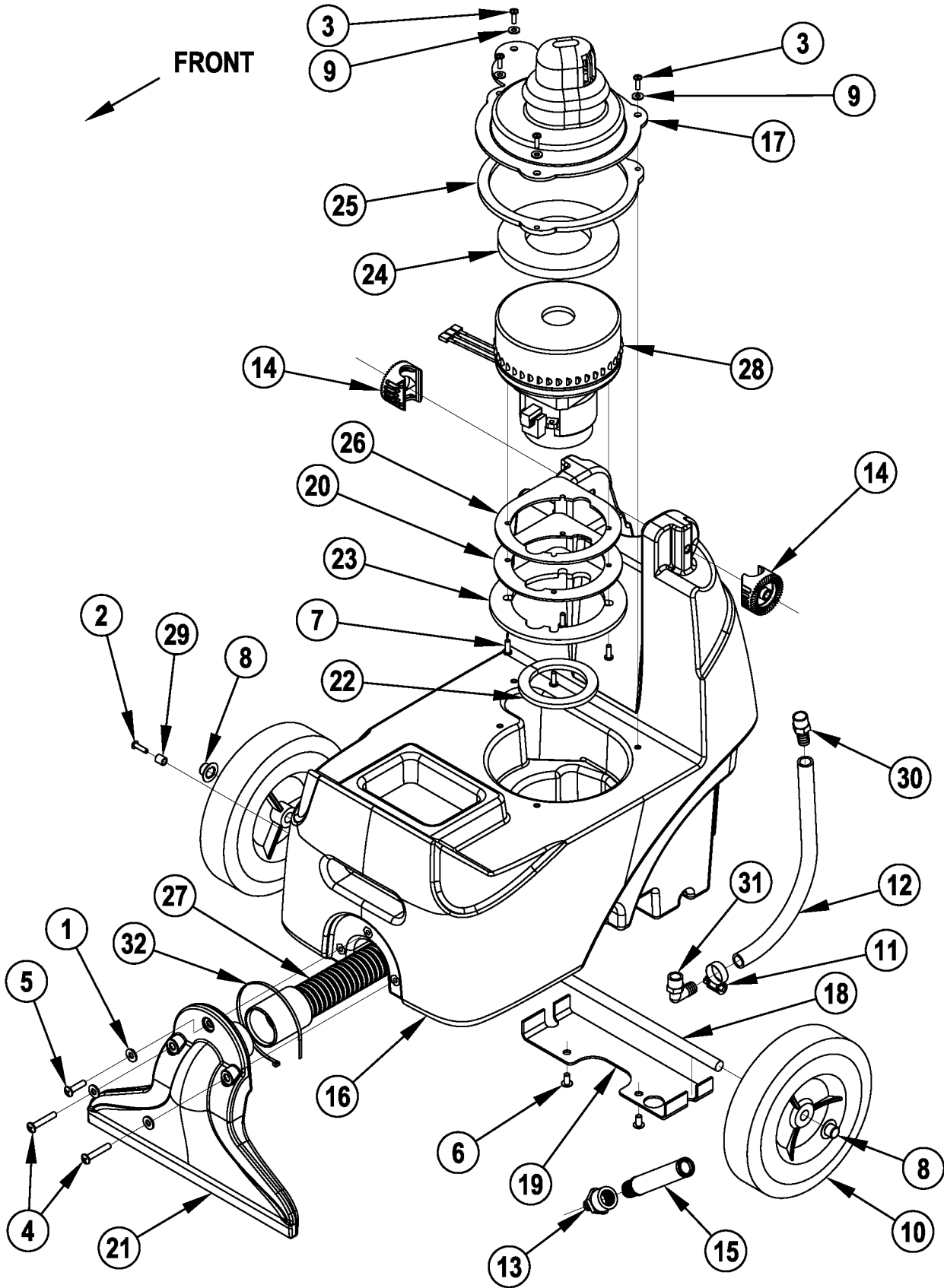
08-10

Clean Track® 12

13

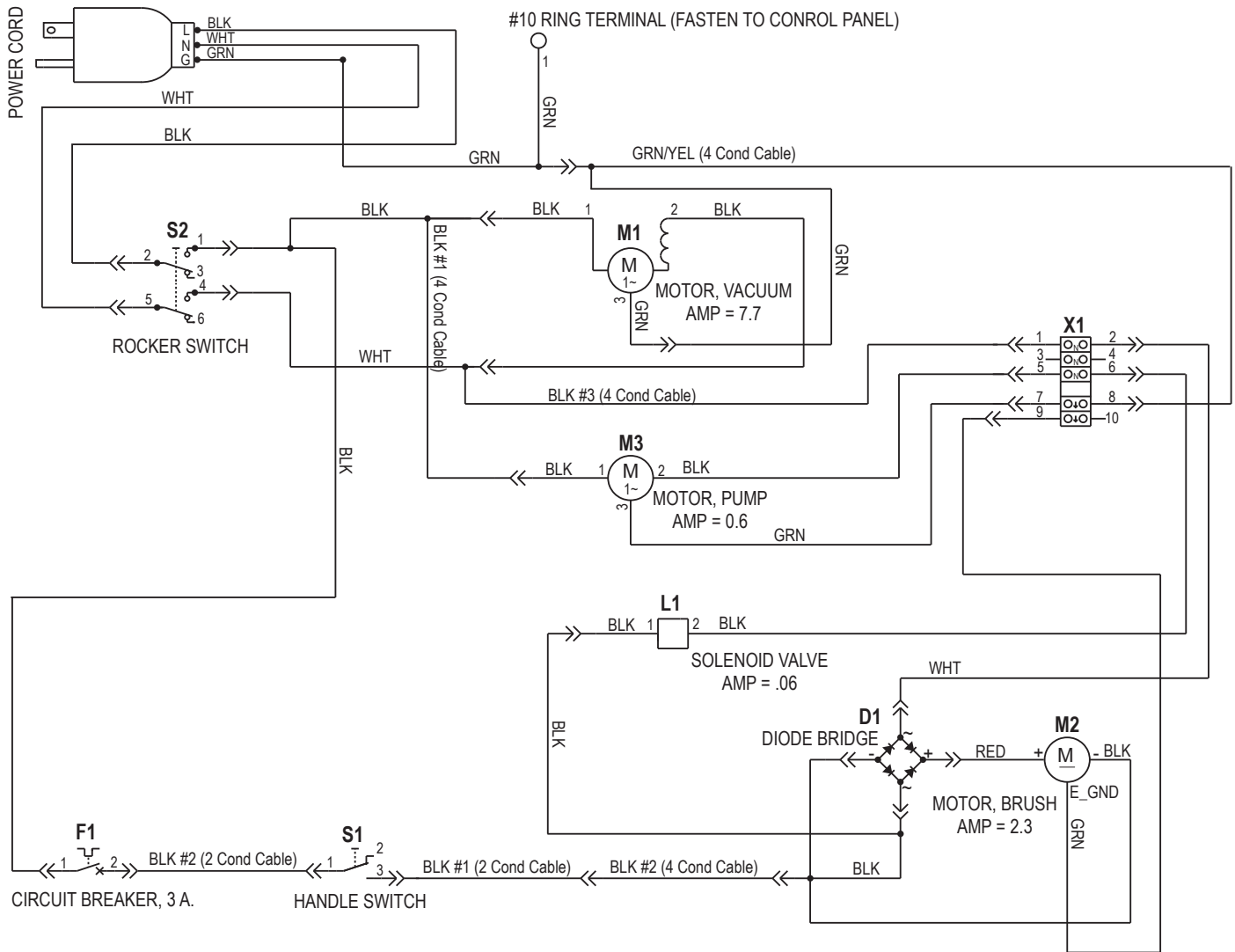
Item	Ref. No.	Qty	Description
1	56001972	2	Scr, Flt Phil 1/4-20 x 1.50
2	56265397	1	Tank, Recovery 12
3	56265346	1	Handle, Lid
4	56265398	1	Lid Assembly (includes item 5)
5#	56109551	1	Gasket, Lid
6	56265244	1	Filter

= Revised or new since last update



Item	Ref. No.	Qty	Description
1	56002859	3	Wsh, Flt SAE SS 1/4
2	56002507	1	Scr, Pan Phil 1/4-20 x .75
3	56002896	4	Scr, Pan Phil SS 10-24 x .62
4	56002905	2	Scr, Pan Phil SS 1/4-20 x 1.50
5	56003067	1	Scr, Pan Phil SS 1/4-20 x 1.00
6	56003119	2	Scr, Pan Phil SS 1/4-20 x .50
7	56003322	4	Scr, Pan Phil Plastite 10-14 x .62
8	56009097	2	Nut, Push Cap 1/2
9	56009205	4	Wsh, Flt SS .219 x .500 x .047/.062
10	56210148	2	Wheel
11	56219932	1	Clamp, Hose SAE #6
12	56244986	1	Hose
13	56262190	1	Barb
14	56264118	2	Ratchet
15	56264137	1	Screen
16	56265395	1	Tank, Solution 12
17	56265326	1	Cover, Vac Assembly
18	56265327	1	Axle
19	56265328	1	Retainer, Axle
20	56265329	1	Plate, Motor
21	56265330	1	Shoe, 12
22	56265334	1	Gasket
23	56265335	1	Gasket
24	56265336	1	Gasket
25	56265337	1	Gasket, Vac Cover
26	56265364	1	Gasket
27	56265372	1	Vac Hose 1.50 Stretch
28	56265380	1	Vacuum Motor 115V
*	56203518	1	Carbon Brushes (set of 2) for use on 56265380
29	56321532	1	Bushing .25 x .37 x .40
30	56409507	1	Barb, Adapter 1/2 x 3/8NPT
31	56900069	1	Barb, 90 Elbow 1/2 x 3/8NPT
32	56478523	1	Tie, Cable

* = Not Shown



Item	Ref. No.	Qty	Description
D1	56265103	1	Rectifier, 35 Amp
F1	56265379	1	Circuit Breaker, W/Boot (3 Amp)
L1	56265037	1	Valve, Solenoid 115V
M1	56265380	1	Motor Vacuum, 115V
*	56203518	1	Carbon Brushes (set of 2) for use on 56265380
M2	56265077	1	Motor, Brush 115 VDC, 1/4 HP
M3	56265051	1	Motor, Pump 115V
S1	56265098	1	Switch, Handle (Solution/Brush)
S2	56265107	1	Switch, Rocker (Power)
*	56265383	1	Wire Assy, Rectifier Blk
*	56265384	1	Wire Assy, Rectifier Wht
*	56265385	1	Wire Assy, 20 AWG/2 Cond
*	56265386	1	Wire Assy, 16 AWG/4 Cond
	56265356	1	Power Cord

* = Not Shown

18**Clean Track® 12****AVAILABLE BRUSH**

56265340 Brush Assembly 12"

ACCESSORY TOOLS

56314402 Wand Assembly w/Soft and Hard Floor Tools
56265173 Wand Assembly w/Soft Floor Tool
56262209 Stand Up Wand
56220109 Hand Tool
56220070 Upholstery Hand Tool
56265368 8' Hose w/Waterline
56265174 15' Hose w/Waterline

CLARKE PRODUCT SUPPORT BRANCHES

U. S. A. Locations

PRODUCTION FACILITIES

Clarke®, Springdale, Arkansas
2100 Highway 265
Springdale, Arkansas 72764
(479) 750-1000
Customer Service - 1-800-253-0367
Technical Service - 1-800-356-7274

American Lincoln®, Bowling Green, Ohio 43402
1100 Haskins Road

SERVICE FACILITIES

Clarke®, Elk Grove, Illinois 60007
2280 Elmhurst Road
(847) 956-7900

Clarke®, Denver, Colorado 80204
1955 West 13th Ave.
(303) 623-4367

Clarke®, Houston, Texas 77040
7215 North Gessner Road
713-937-7717

SERVICE AND SALES FACILITY

American Lincoln® / Clarke, Madison Heights,
Michigan 48071-0158
29815 John R.
(810) 544-6300

American Lincoln® / Clarke, Marietta, Georgia 30066
1455 Canton Road
(770) 973-5225

SALES AND DISTRIBUTION CENTER

Clarke®, Secaucus, NJ 07094
74 Henry Street
(201) 864-5503

Clarke®
Clarke American Sanders
A.L. Cook
Customer Service Headquarters and Factory
2100 Highway 265
Springdale, Arkansas 72764
(479) 750-1000

Technical Service
1-800-356-7274

European Locations

PRODUCTION FACILITIES

ALTO Danmark A/S, Aalborg
Blytaekkervej 2
DK-9000 Aalborg
+45 72 18 21 00

ALTO Danmark A/S, Hadsund
Industrikarveret
DK-9560 Hadsund
+45 72 18 21 00

SALES SUBSIDIARIES

ALTO U.S. - Canada, Ontario (Canada)
4080 B Sladeview Crescent Unit 1
Mississauga, Ontario L5L 5Y5
(905) 569-8586

ALTO Overseas Inc., Sydney (Australia)
1B/8 Resolution Drive
Caringbah NSW 2229
+61 2 9524 6122

ALTO Cleaning Systems Asia Pte Ltd., Singapore
No. 17 Link Road
Singapore 619034
+65 268 1006

ALTO Deutschland GmbH, Bellenberg (Germany)
Guido-Oberdorfer-Straße 2-8
89287 Bellenberg
+49 0180 5 37 37 37

ALTO Cleaning Systems (UK) Ltd., Penrith
Gilwilly Industrial Estate
Penrith
Cumbria CA11 9BN
+44 1768 868 995

ALTO France S.A. Strasbourg
B.P. 44, 4 Place d'Ostwald
F-67036 Strasbourg
Cedex 2
+33 3 8828 8400

ALTO Nederland B.V.
Postbus 65
3370 AB Hardinxveld-Giessendam
The Netherlands
+31 184 677 200

ALTO Sverige AB, Molndal (Sweden)
Aminogatan 18
Box 4029
S-431 04 Molndal
+46 31 706 73 00

ALTO Norge A/S, Oslo (Norway)
Bjernerudveien 24
N-1266
+47 2275 1770

Clarke® U.S. WARRANTY

This Clarke Industrial/Commercial Product is warranted to be free from defects in materials and workmanship under normal use and service for a period of one year from the date of purchase, when operated and maintained in accordance with Clarke's Maintenance and Operations Instructions.

This warranty is extended only to the original purchaser for use of the product. It does not cover normal wear parts such as electrical cable, rubber parts, hoses and motor brushes.

If difficulty develops with the product, you should:

(a). Contact the nearest authorized Clarke repair location or contact the Clarke Service Operations Department, 2100 Highway 265, Springdale, Arkansas 72764, for the nearest authorized Clarke repair location. Only these locations are authorized to make repairs to the product under this warranty.

(b). Return the product to the nearest Clarke repair location. Transportation charges to and from the repair location must be prepaid by the purchaser.

(c). Clarke will repair the product and or replace any defective parts without charge within a reasonable time after receipt of the product.

Clarke's liability under this warranty is limited to repair of the product and/or replacement of parts and is given to purchaser in lieu of all other remedies, including INCIDENTAL AND CONSEQUENTIAL DAMAGES.

THERE ARE NO EXPRESS WARRANTIES OTHER THAN THOSE SPECIFIED HEREIN. THERE ARE NO WARRANTIES WHICH EXTEND BEYOND THE DESCRIPTION OF THE FACE HEREOF. NO WARRANTIES, INCLUDING BUT NOT LIMITED TO WARRANTY OF MERCHANTABILITY, SHALL BE IMPLIED. A warranty registration card is provided with your Clarke product. Return the card to assist Clarke in providing the performance you expect from your new floor machine.

Clarke®, 2100 Highway 265, Springdale, Arkansas 72764.

Clarke® POLYDUR TANK EIGHT YEAR U.S. GUARANTEE

Your new Clean Track Extractor has Polydur Tanks. Polydur is a rotationally molded, high-density linear polyethylene that won't crack or dent, and withstands most corrosives and temperature extremes. Clarke backs up your Polydur Tanks with its eight year guarantee. If a tank breaks, cracks, or leaks, within eight years, it will be replaced free.

This guarantee applies specifically to the Polydur Tanks and does not extend to normal wear items.

Clarke reserves the right to make changes or improvements to its machine without notice.

Always use genuine Clarke Parts for repair.

Clarke®

**2100 Highway 265
Springdale, Arkansas, 72764**